



Planning & Engineering
Office of Project Development
700 E Broadway Avenue
Pierre, South Dakota 57501-2586
O: 605.773.3275 | F: 605.773.2614
dot.sd.gov

September 13, 2024

ADDENDUM NO. 2

**RE: Item #3, September 18, 2024 Letting - IM 0902(189)98, PCN 09Q9, Pennington County -
Replace Sewer Lines**

TO WHOM IT MAY CONCERN:

The following addenda to the plans shall be inserted and made a part of your proposal for the referenced project.

SPECIAL PROVISIONS: NO CHANGE

SDEBS BID PROPOSAL: NO CHANGE

PLANS: Please destroy sheet 15 and replace with the enclosed sheet, dated 9/13/24.

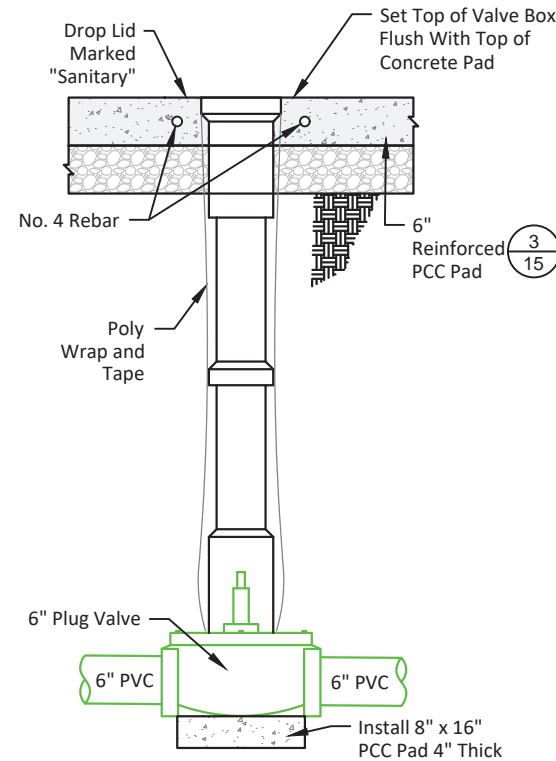
Sheet 13: Concrete Manhole Collar detail was renamed to 48" Manhole Cover Slab. Payment notes for the 48" Manhole Cover Slab and Gravel Cushion were added.

Sincerely,

Sam Weisgram
Engineering Supervisor

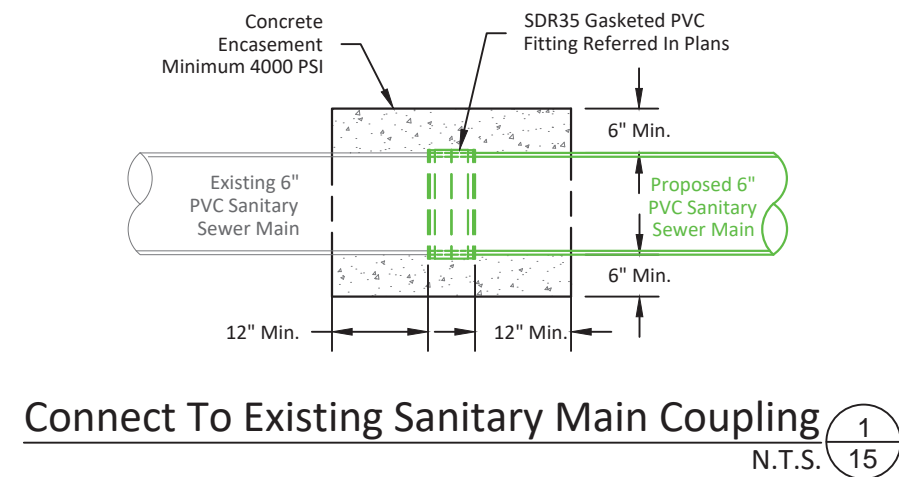
SW/cj

CC: Todd Seaman, Rapid City Region Engineer
Mike Carlson, Rapid City Area Engineer

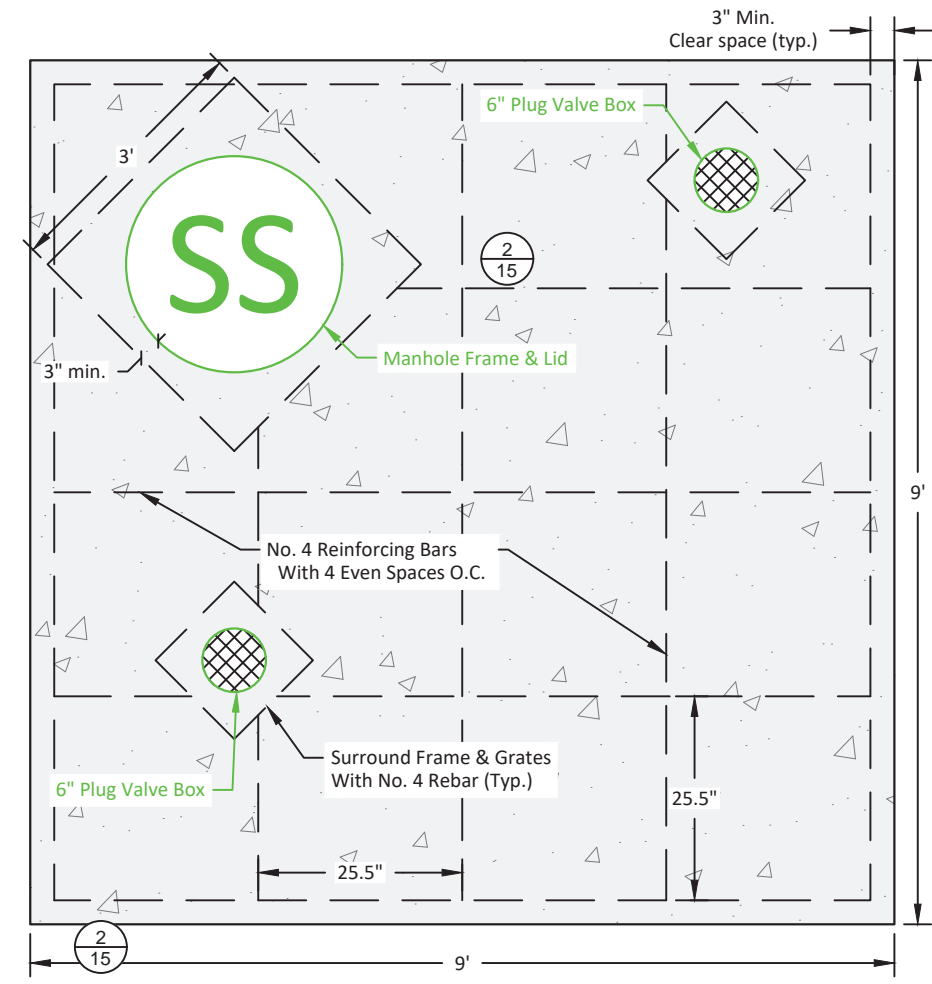


Note:
Valve boxes must be Tyler 6850-666-S series heavy duty valve box or approved equal.
All valve boxes must be installed straight and plumb directly over the valve stem and placed over a valve box adaptor.

Plug Valve Installation Detail
N.T.S. 2 / 15



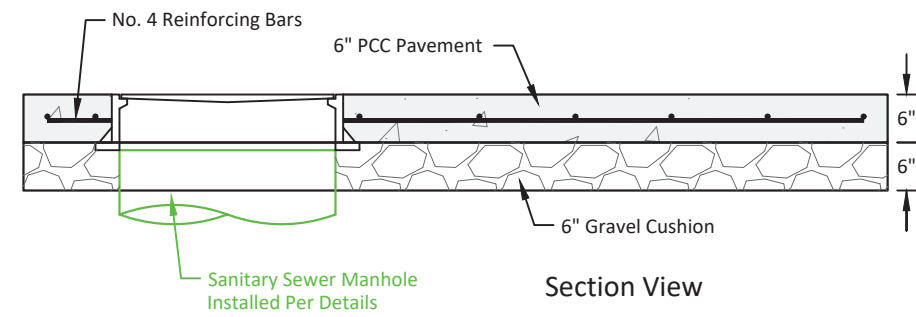
Connect To Existing Sanitary Main Coupling
N.T.S. 1 / 15



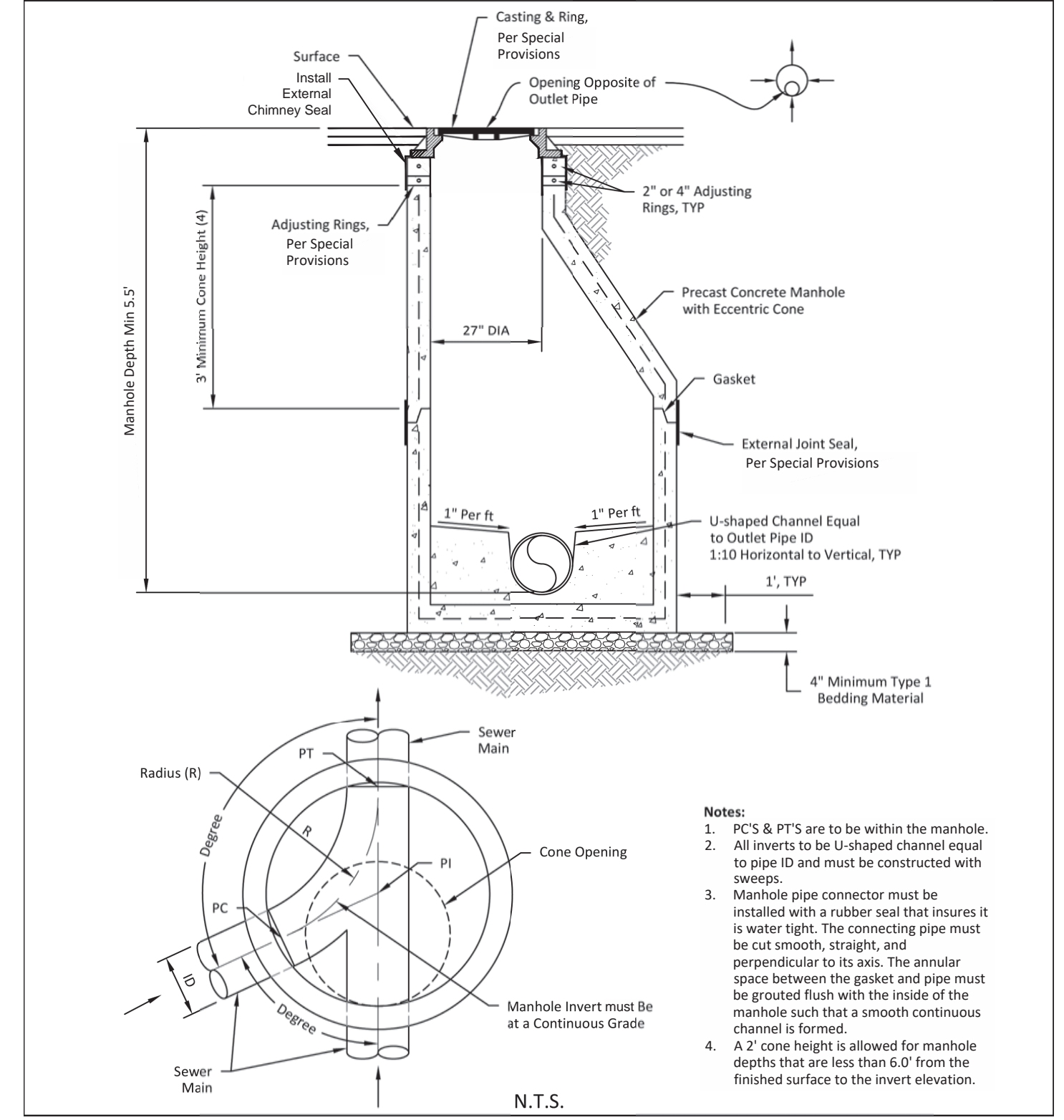
Plan View
Payment for 48" Manhole Cover Slab shall include the materials, labor and equipment to construct the concrete slab including reinforcing per the detail shown.

All work related to the compaction, grading, and gravel cushion below the slab will be paid for with the respective bid item.

48" Manhole Cover Slab
N.T.S. 3 / 15



Section View



Standard Manhole Detail

- Notes:**
1. PC'S & PT'S are to be within the manhole.
 2. All inverts to be U-shaped channel equal to pipe ID and must be constructed with sweeps.
 3. Manhole pipe connector must be installed with a rubber seal that insures it is water tight. The connecting pipe must be cut smooth, straight, and perpendicular to its axis. The annular space between the gasket and pipe must be grouted flush with the inside of the manhole such that a smooth continuous channel is formed.
 4. A 2' cone height is allowed for manhole depths that are less than 6.0' from the finished surface to the invert elevation.

Plotted from -

File - P:\23-171\AutoCAD\PlanSheets\23-171Det.dwg