

November 8, 2024

Re: Project's NH-CR 0014(185)229, 436() – PCN's 026Z & X05W– Urban Grading, Curb & Gutter, Sidewalk, Signals, Storm Sewer, Lighting, Asphalt Concrete Surfacing, PCC Surfacing, Water Main Improvement & Sewer Manhole Adjustments

To Whom It May Concern,

A pre-bid meeting for the US 14 (Euclid Ave) Reconstruction project is being held on November 26th at 1:30 PM CST via Microsoft TEAMS. Interested contracting parties are invited to attend the meeting virtually via the Microsoft Teams Meeting Link provided below.

This meeting will include a presentation of the project covering topics such as the overall scope of work, design aspects, traffic control, and contract time. There will be an opportunity for Contractors to present questions to Department staff, consultants, and project stakeholders.

Attendance is not a requirement, but all interested contracting parties are strongly encouraged to attend.

If attending the meeting you must join the meeting via the link provided. In order to reduce sound feedback please mute the microphone on your computer. Due to the meeting being virtual we are requesting that you please enter the name of your company followed by the individuals from your company attending the meeting into the chat feature of Microsoft Teams.

[Join Pre-bid Meeting](#)

Date: November 26, 2024

Time: 1:30-3:30 PM (CST)

Meeting ID: 211 221 837 478

Additional instructions regarding the meeting format will be provided at the beginning of the meeting.

We look forward to seeing you there!

Sincerely,
SD DOT

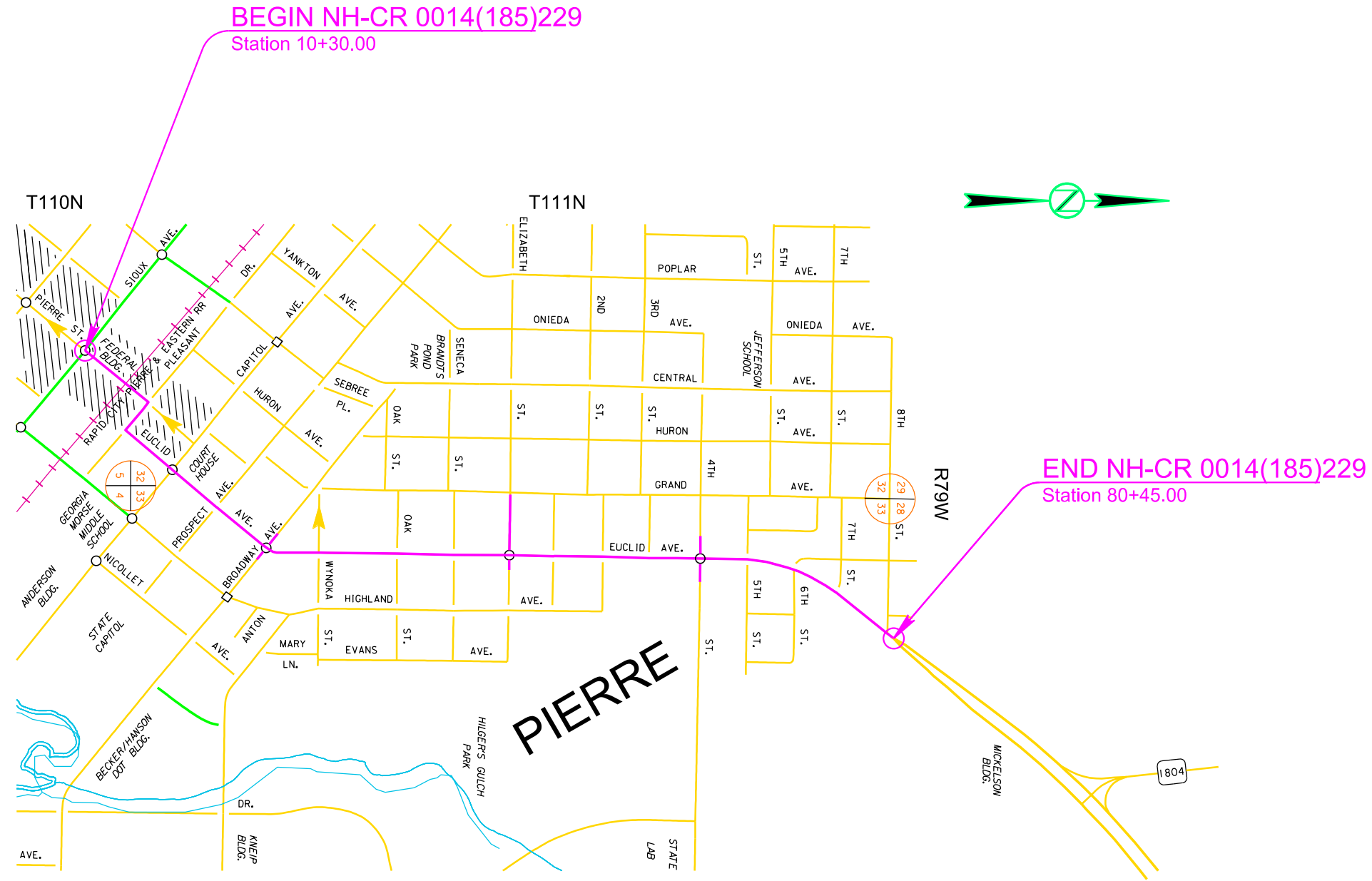
SECTION X: CROSS SECTIONS

STATE OF SOUTH DAKOTA	PROJECT	SHEET	TOTAL SHEETS
	NH-CR 0014(185)229	X1	X81

Plotting Date: 4/16/2024

INDEX OF SHEETS

- X1 General Layout with Index
- X2-81 Cross Sections



Plot Scale - 1:200

Plotted From - GENSZ

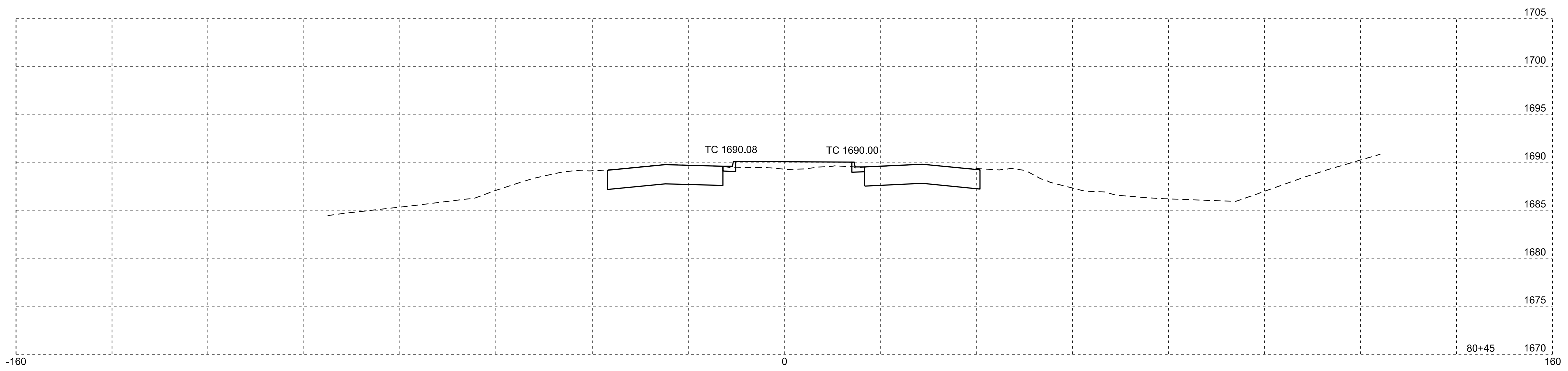
Plotted From -

File - ...Section_X1TitleX.dgn

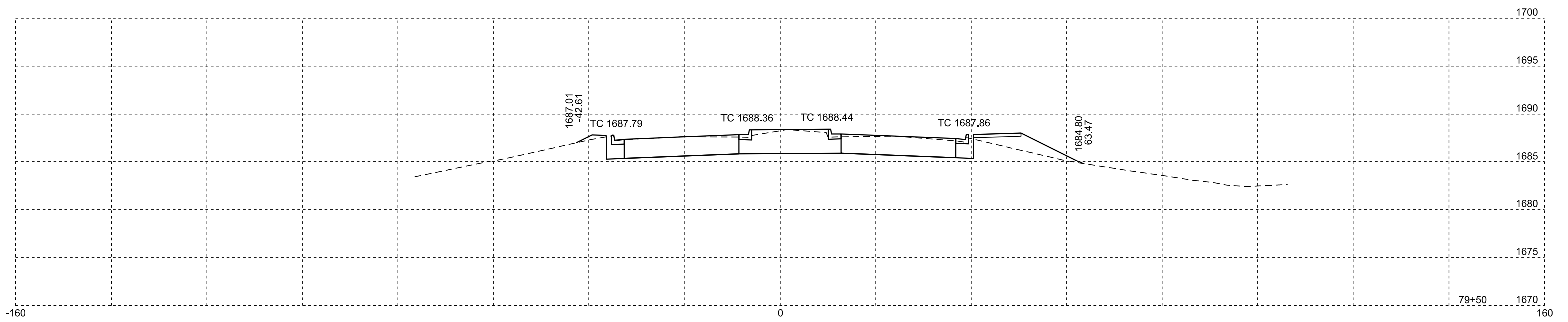
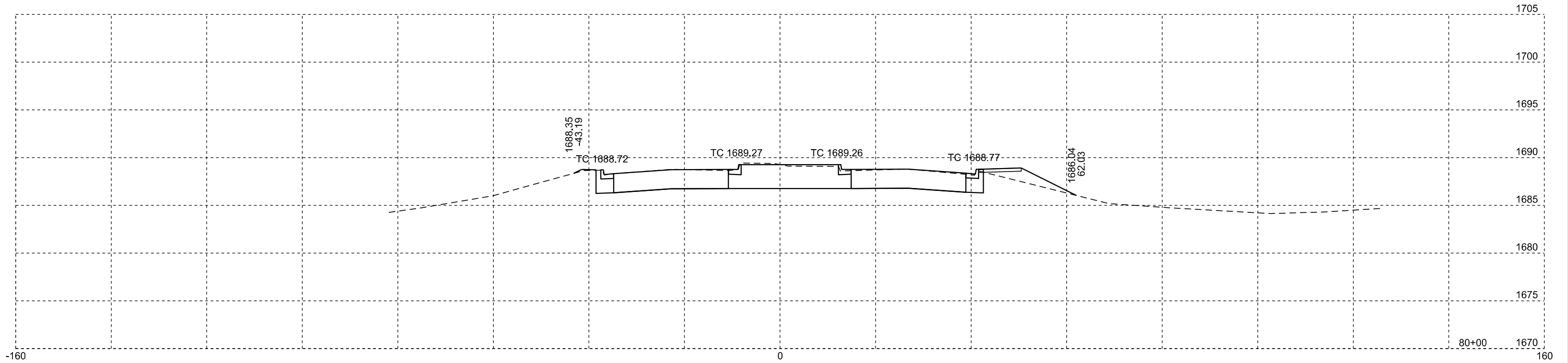


Plotting Date: 4/16/2024

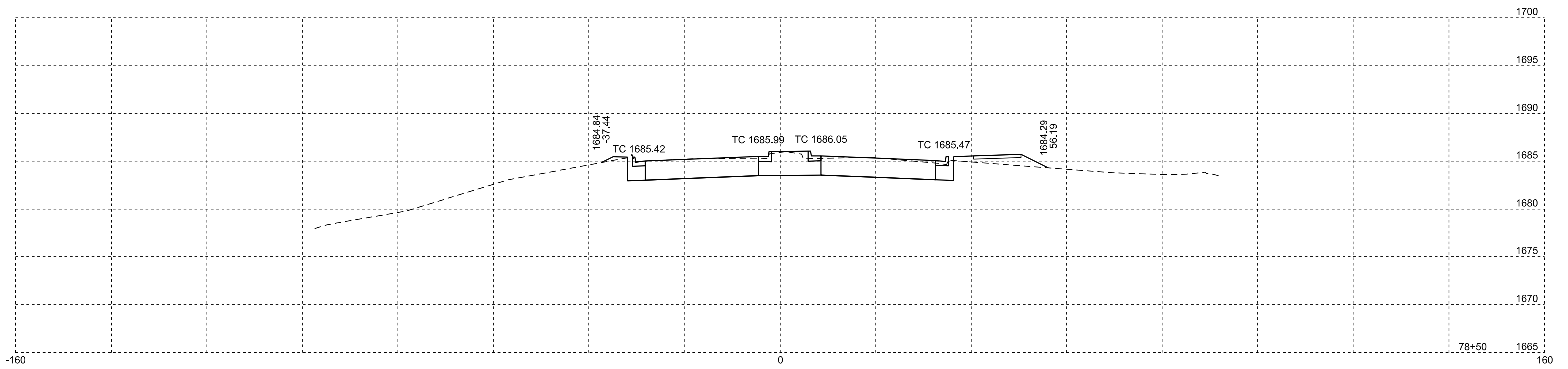
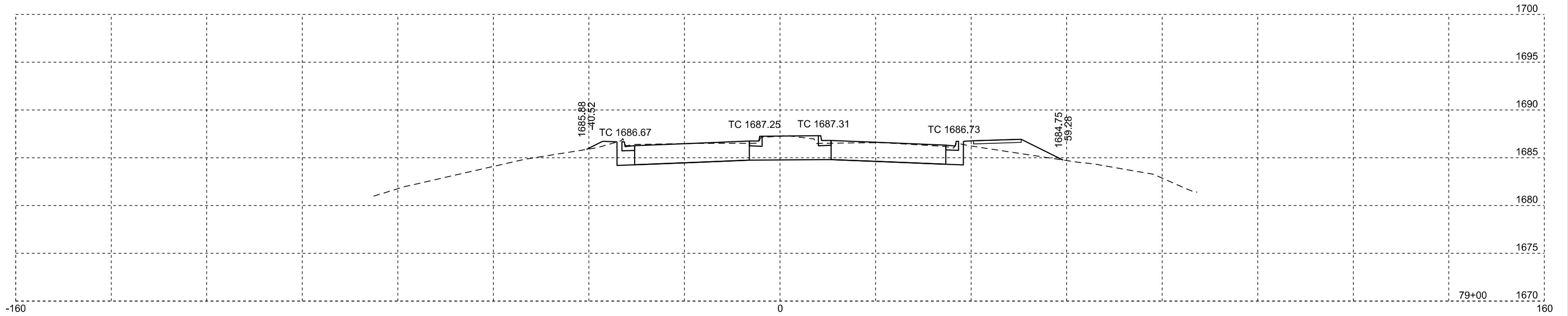
STATE OF SOUTH DAKOTA	PROJECT	SHEET	TOTAL SHEETS
	NH 0014(185)229	X2	X81



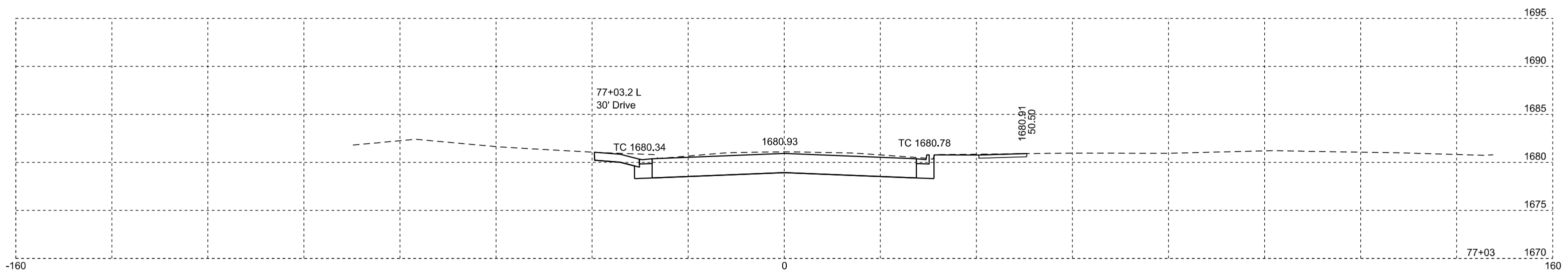
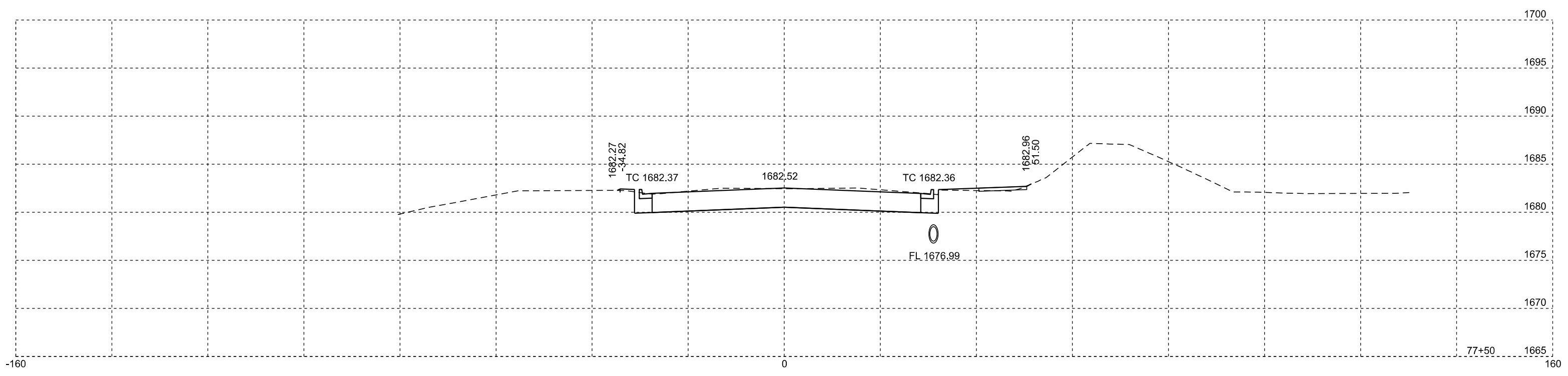
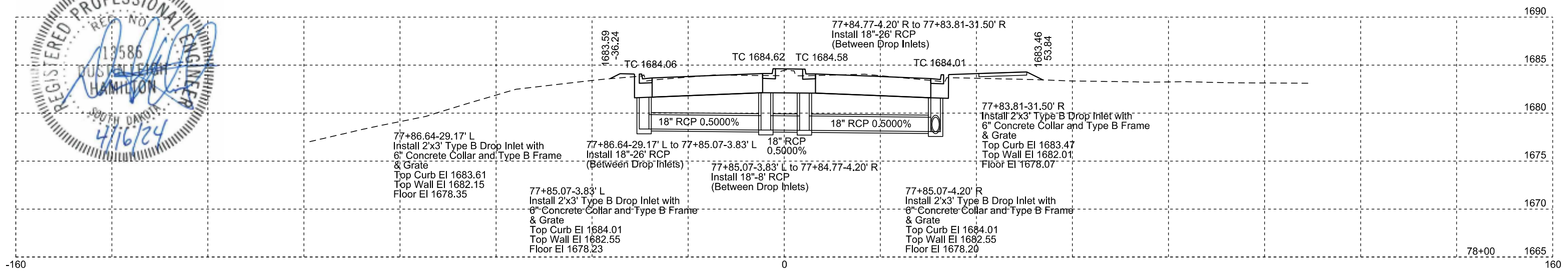
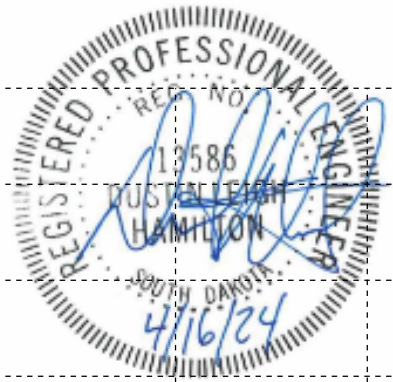
STATE OF SOUTH DAKOTA	PROJECT	SHEET	TOTAL SHEETS
	NH 0014(185)229	X3	X81



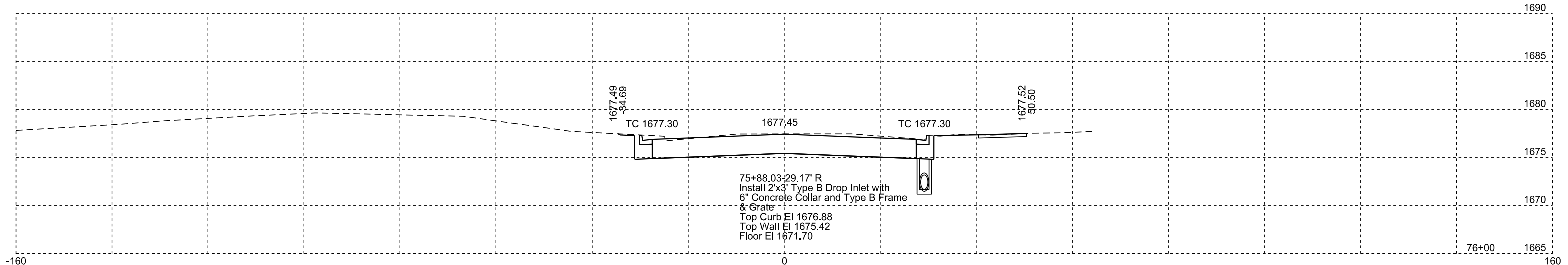
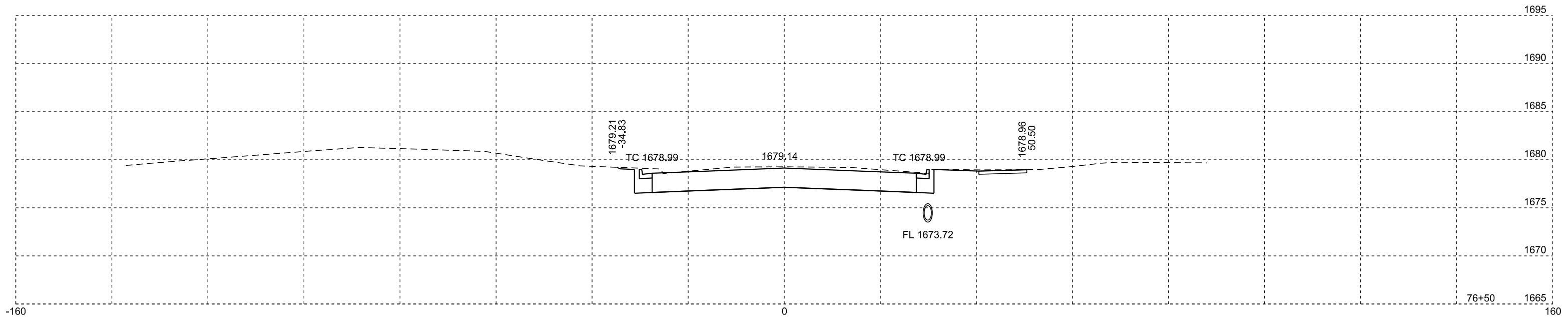
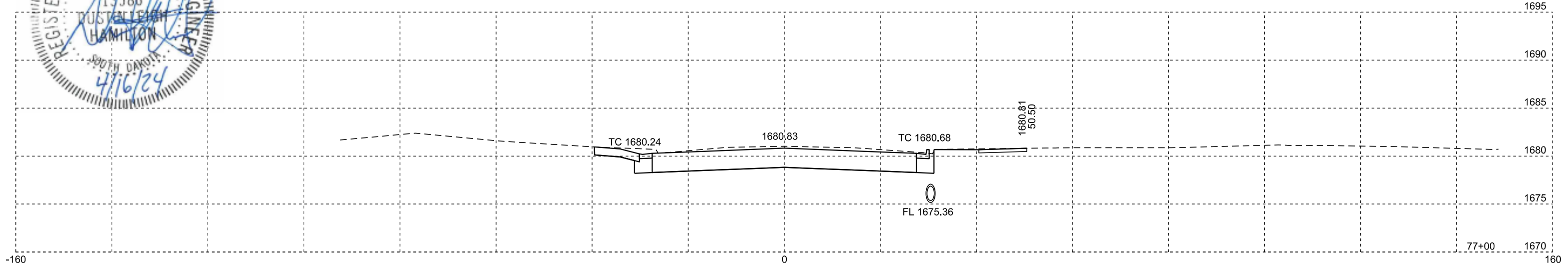
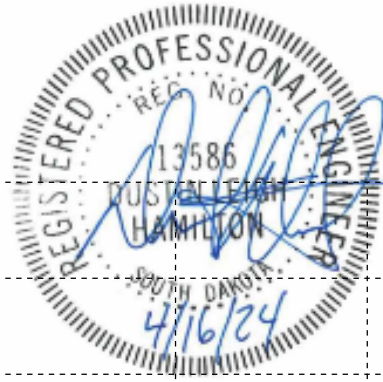
STATE OF SOUTH DAKOTA	PROJECT	SHEET	TOTAL SHEETS
	NH 0014(185)229	X4	X81



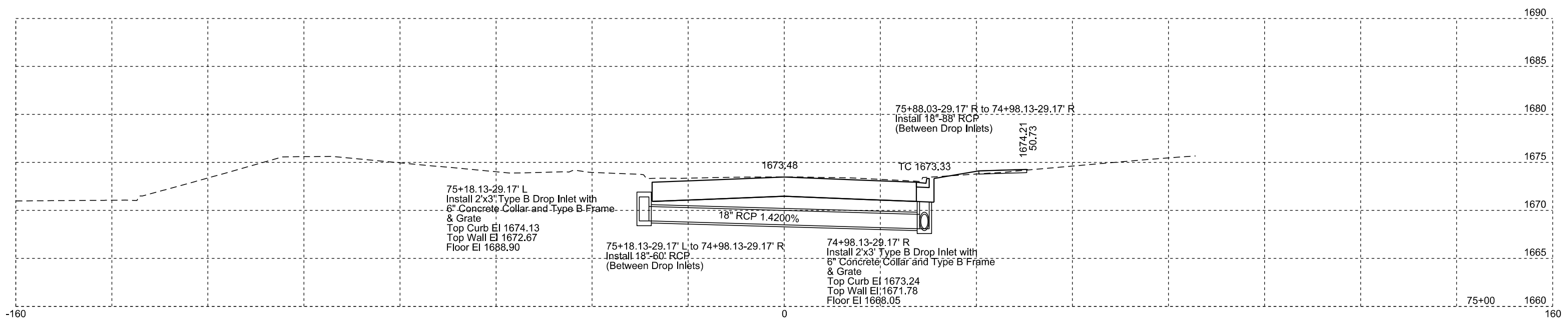
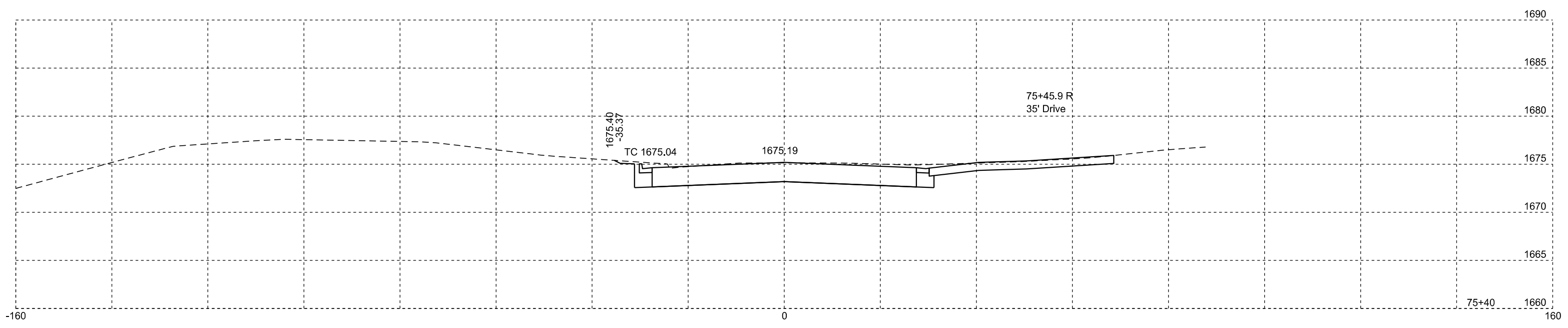
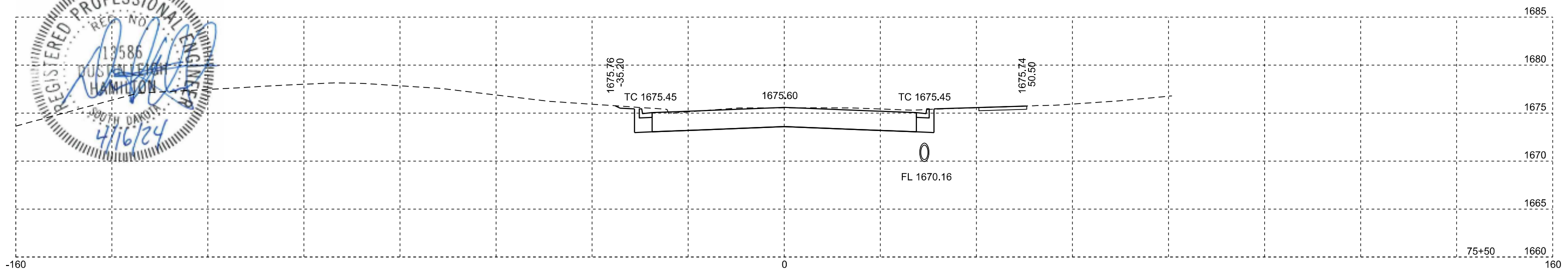
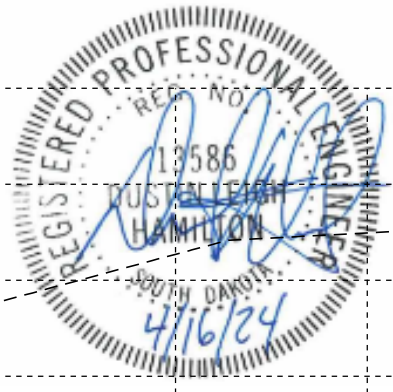
STATE OF SOUTH DAKOTA	PROJECT	SHEET	TOTAL SHEETS
	NH 0014(185)229	X5	X81



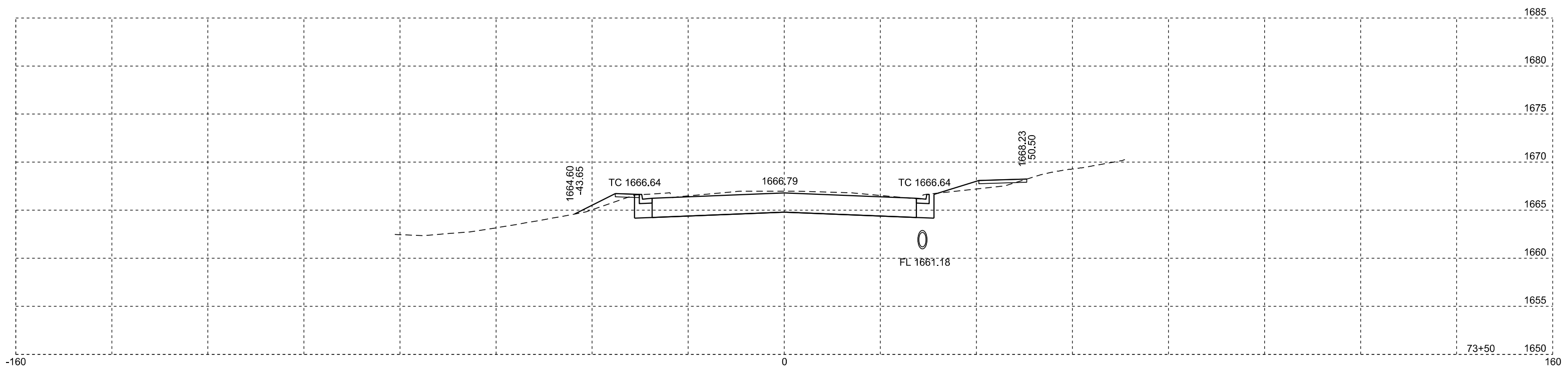
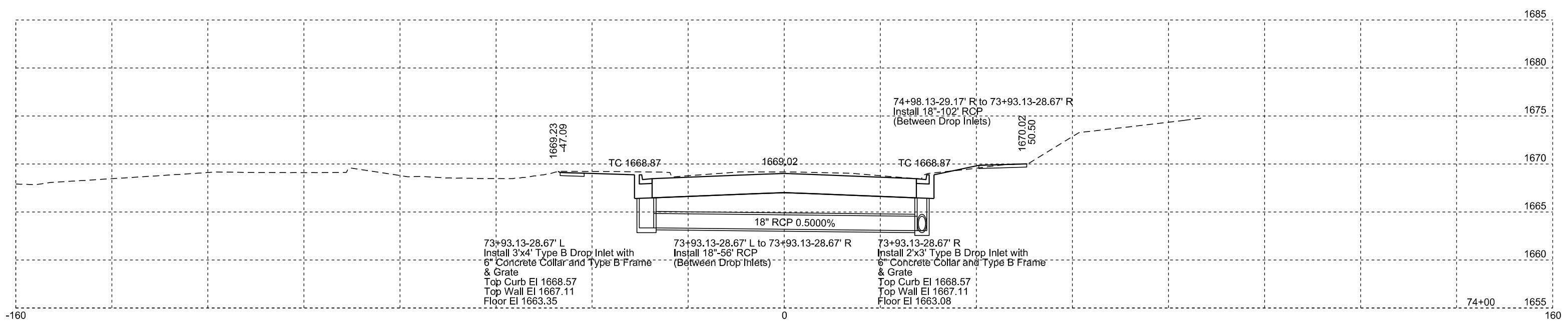
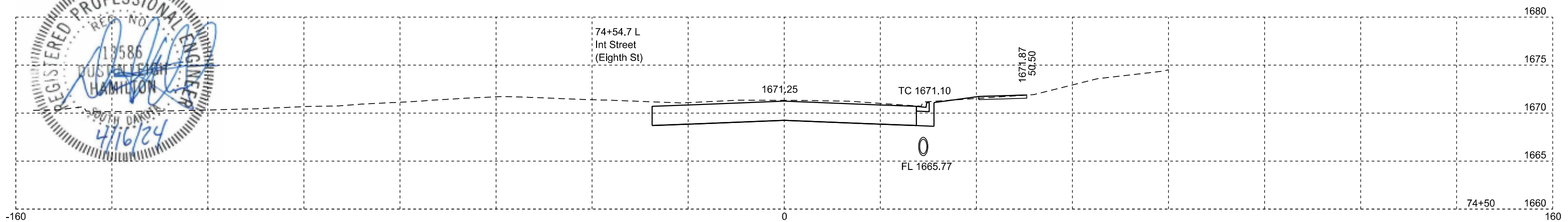
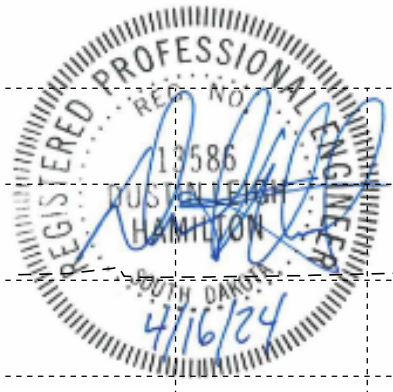
STATE OF SOUTH DAKOTA	PROJECT	SHEET	TOTAL SHEETS
	NH 0014(185)229	X6	X81



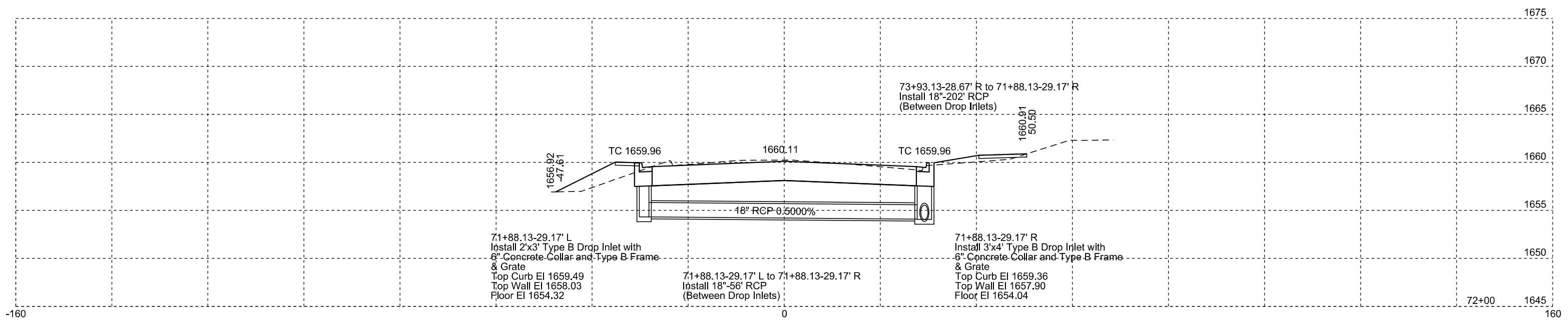
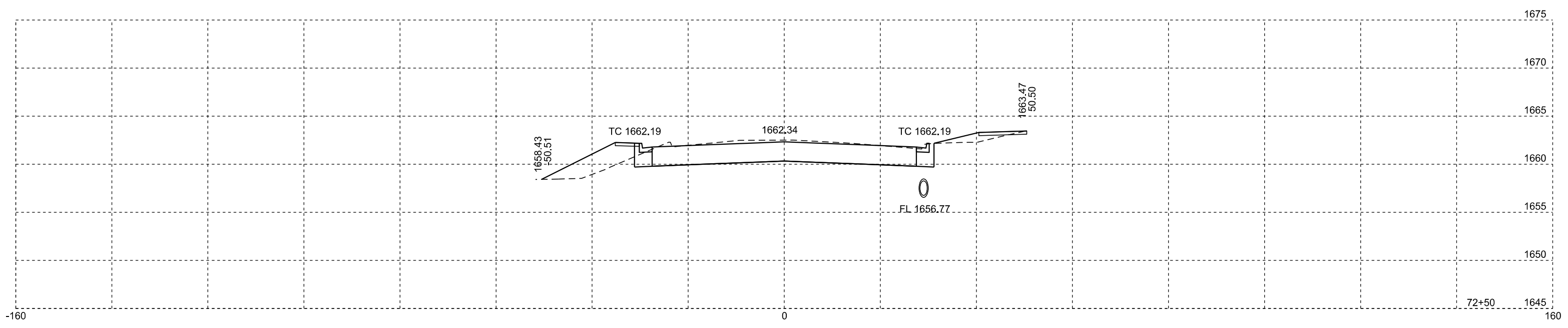
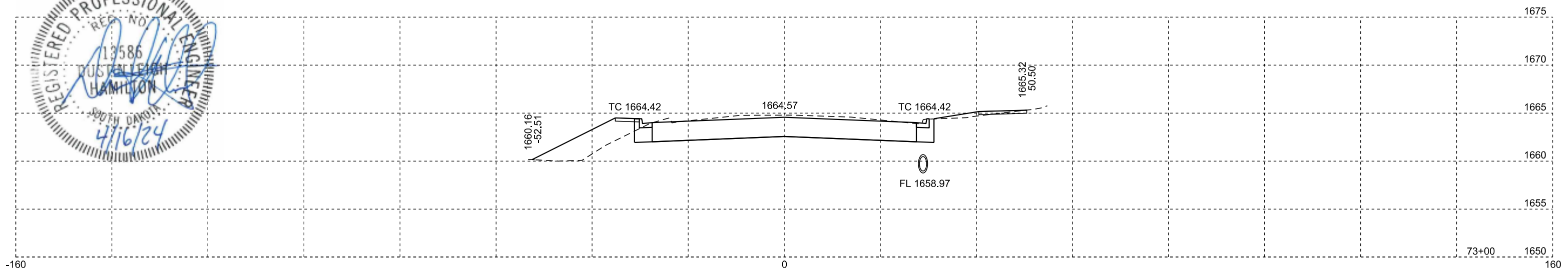
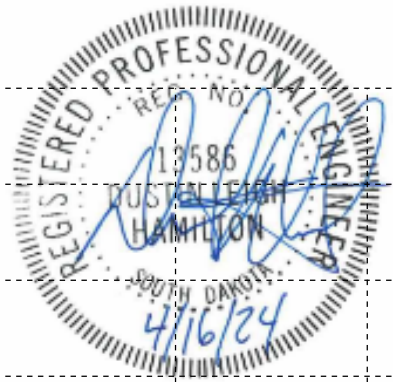
STATE OF SOUTH DAKOTA	PROJECT	SHEET	TOTAL SHEETS
	NH 0014(185)229	X7	X81



STATE OF SOUTH DAKOTA	PROJECT	SHEET	TOTAL SHEETS
	NH 0014(185)229	X8	X81



STATE OF SOUTH DAKOTA	PROJECT	SHEET	TOTAL SHEETS
	NH 0014(185)229	X9	X81



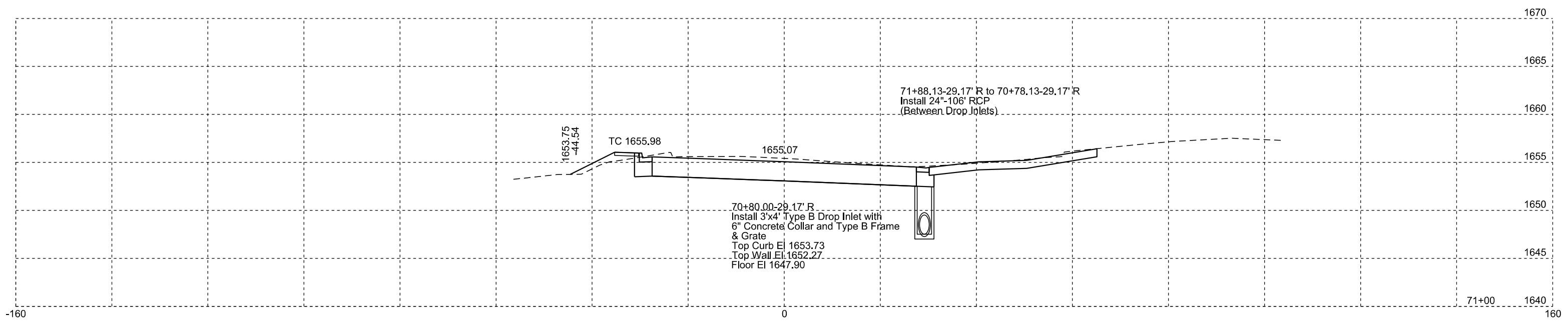
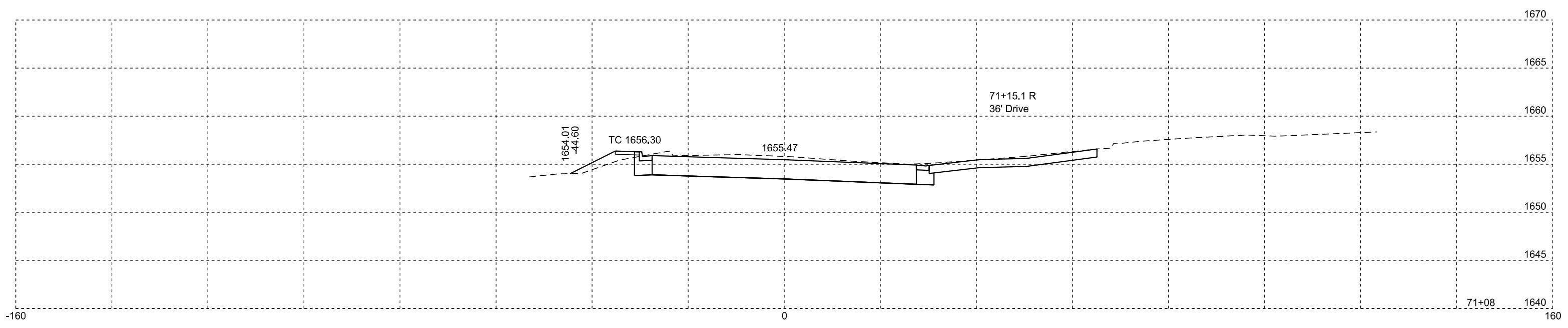
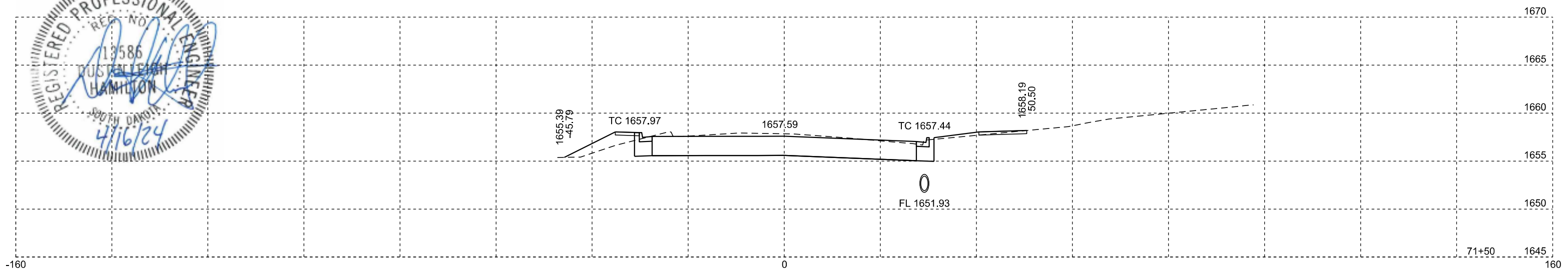
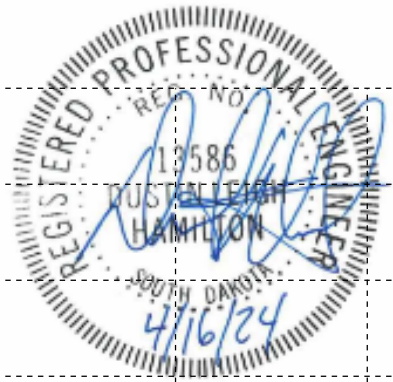
71+88.13-29.17' L
 Install 2'x3' Type B Drop Inlet with
 6" Concrete Collar and Type B Frame
 & Grate
 Top Curb EI 1659.49
 Top Wall EI 1658.03
 Floor EI 1654.32

71+88.13-29.17' L to 71+88.13-29.17' R
 Install 18"-56' RCP
 (Between Drop Inlets)

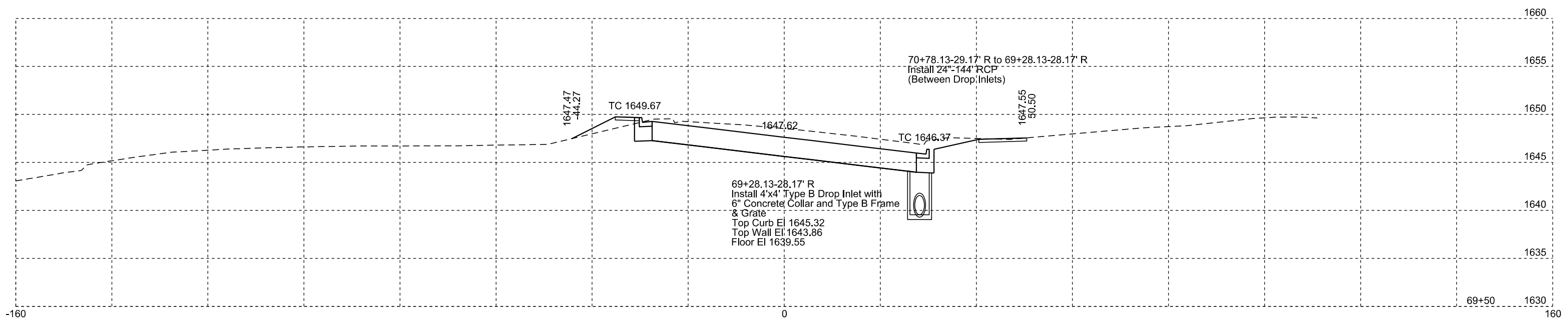
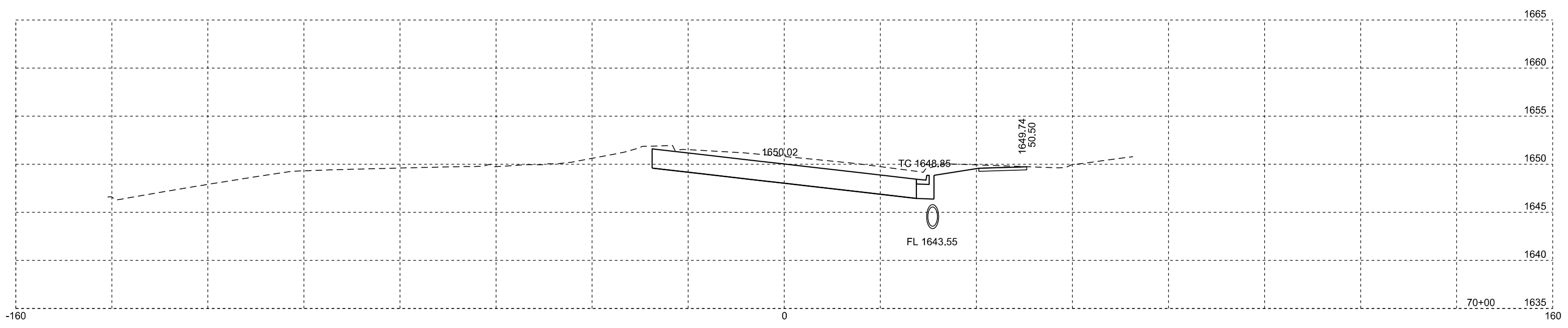
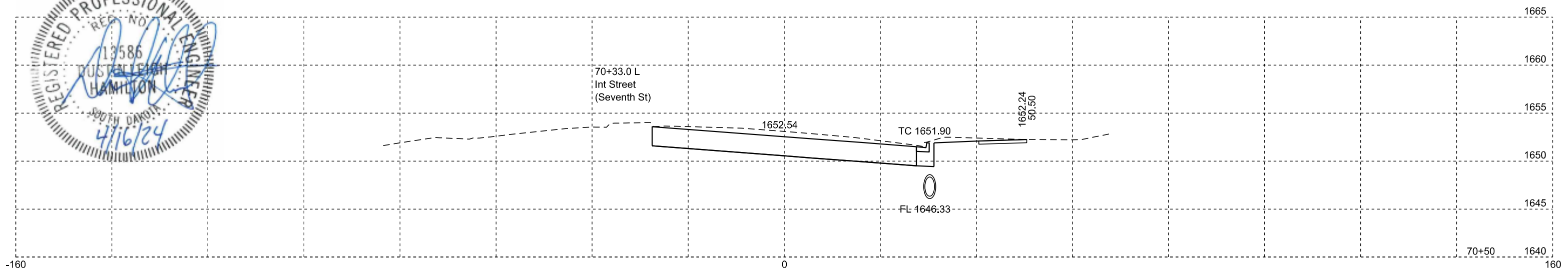
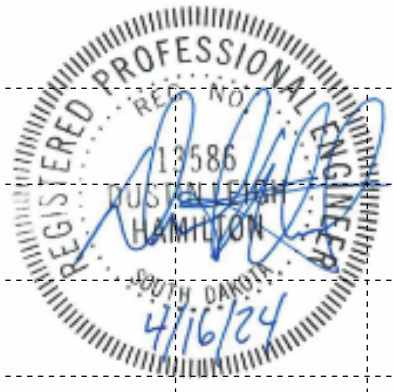
73+93.13-28.67' R to 71+88.13-29.17' R
 Install 18"-202' RCP
 (Between Drop Inlets)

71+88.13-29.17' R
 Install 3'x4' Type B Drop Inlet with
 6" Concrete Collar and Type B Frame
 & Grate
 Top Curb EI 1659.36
 Top Wall EI 1657.90
 Floor EI 1654.04

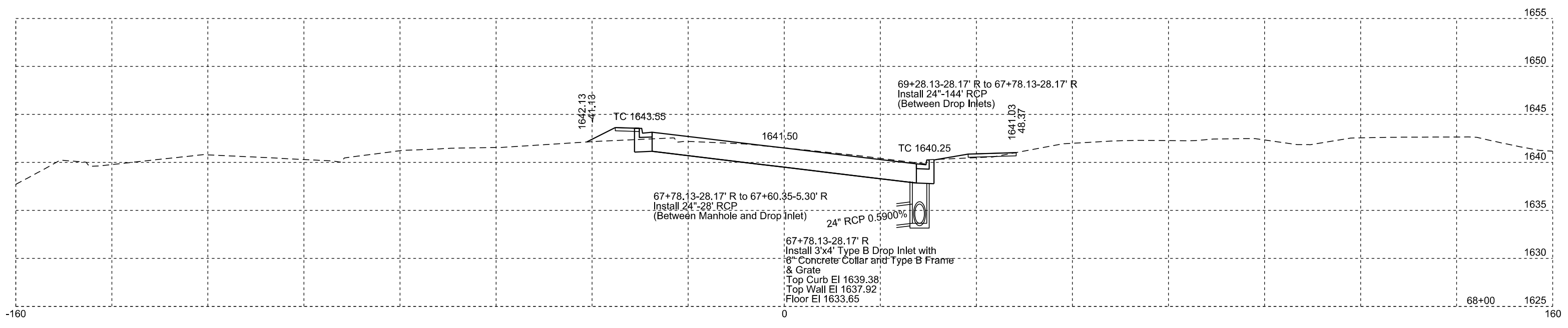
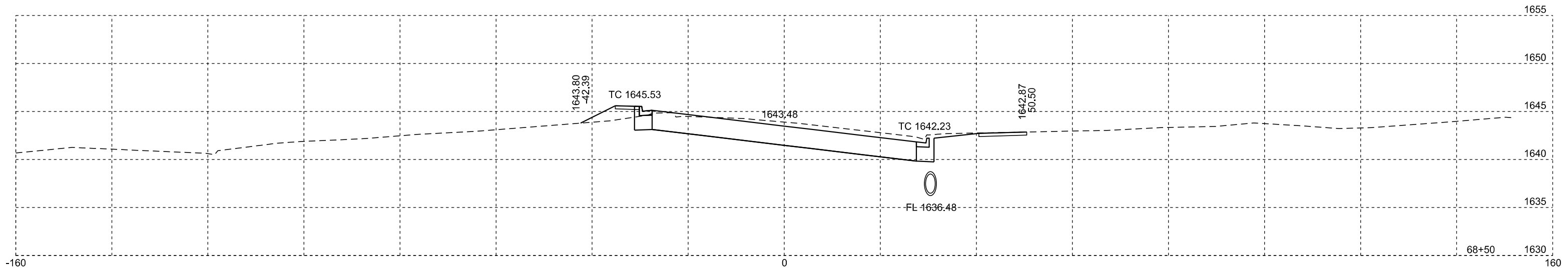
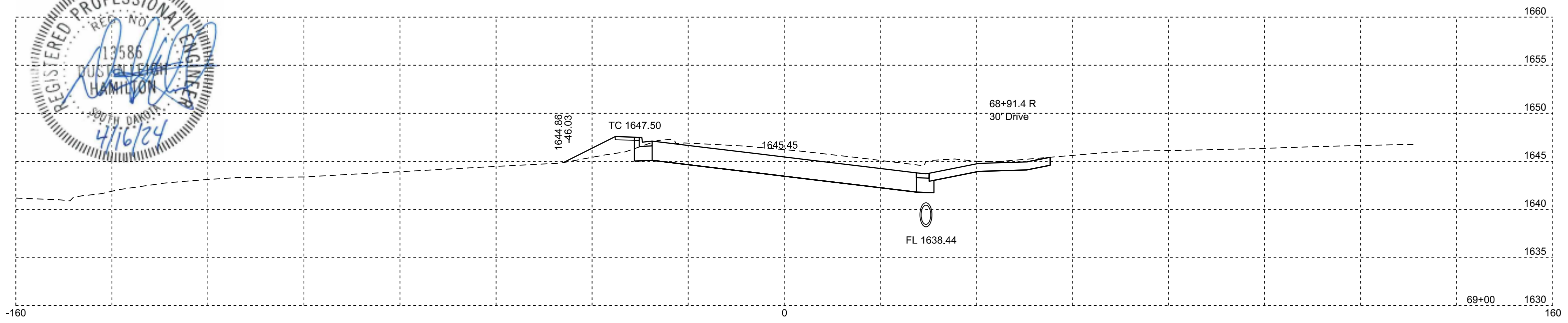
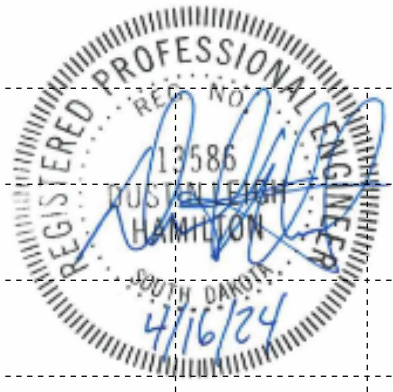
STATE OF SOUTH DAKOTA	PROJECT	SHEET	TOTAL SHEETS
	NH 0014(185)229	X10	X81



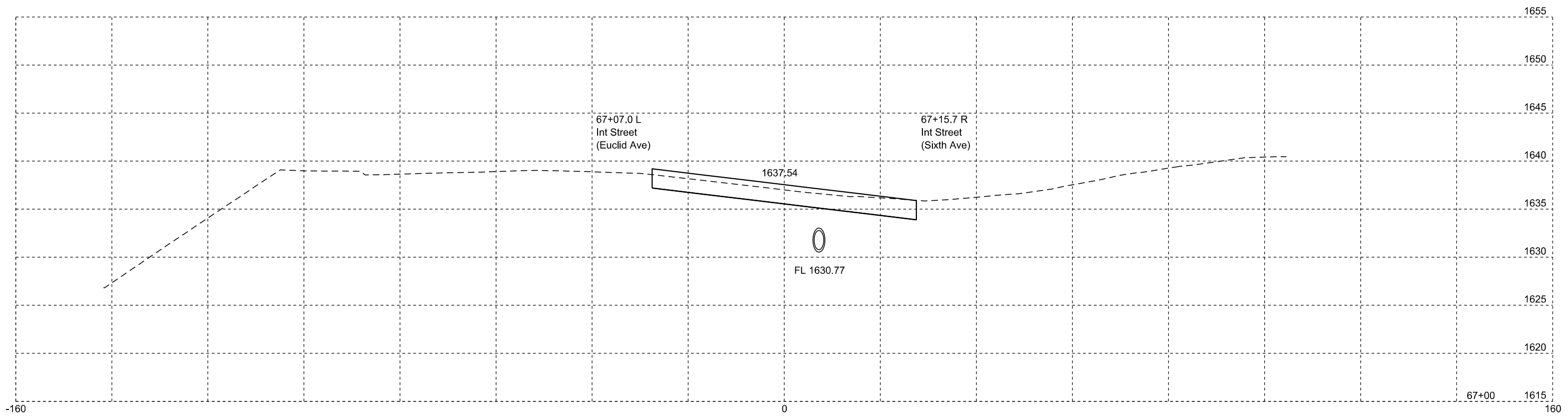
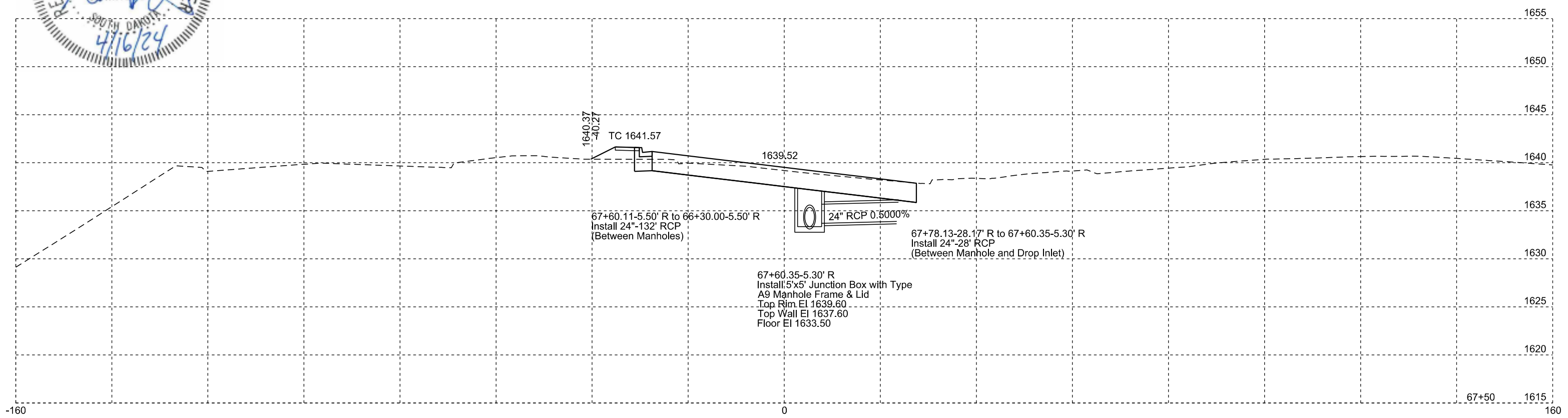
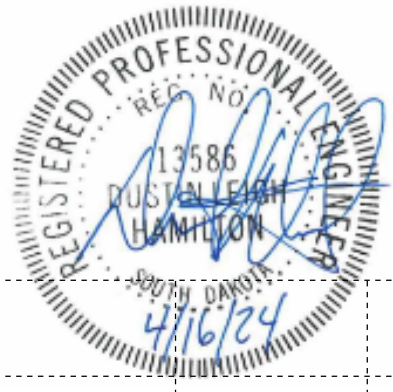
STATE OF SOUTH DAKOTA	PROJECT	SHEET	TOTAL SHEETS
	NH 0014(185)229	X11	X81



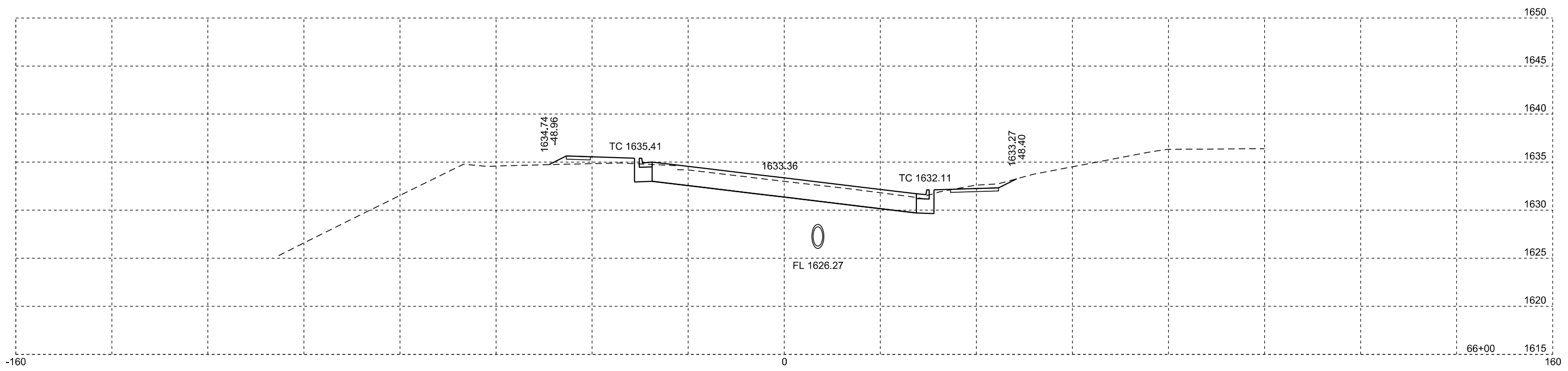
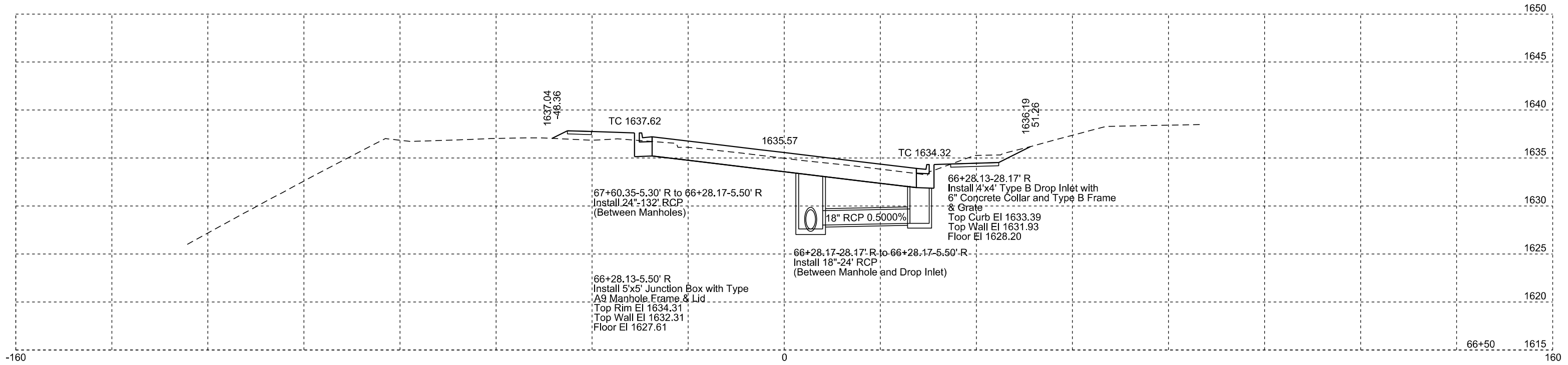
STATE OF SOUTH DAKOTA	PROJECT	SHEET	TOTAL SHEETS
	NH 0014(185)229	X12	X81



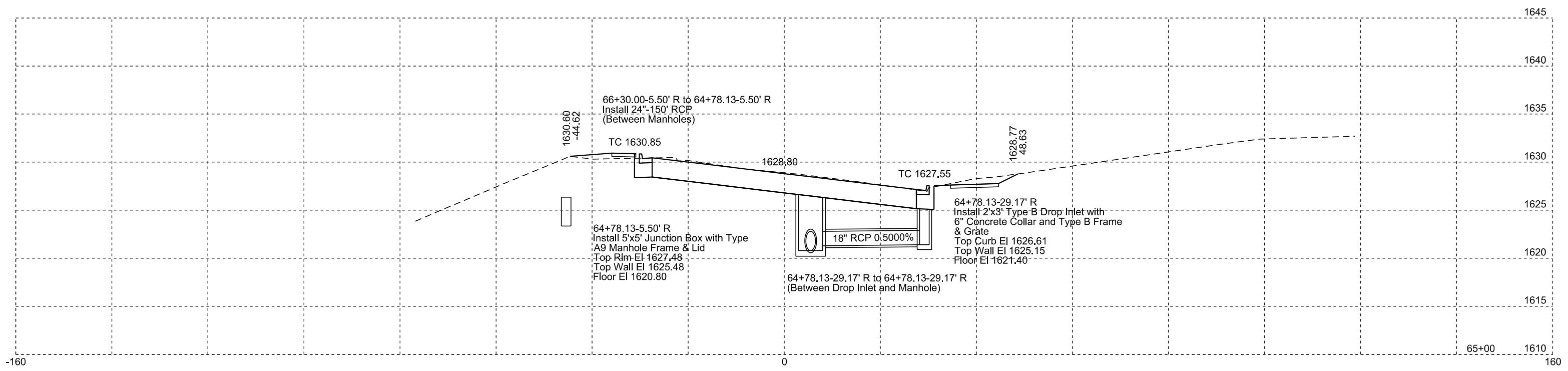
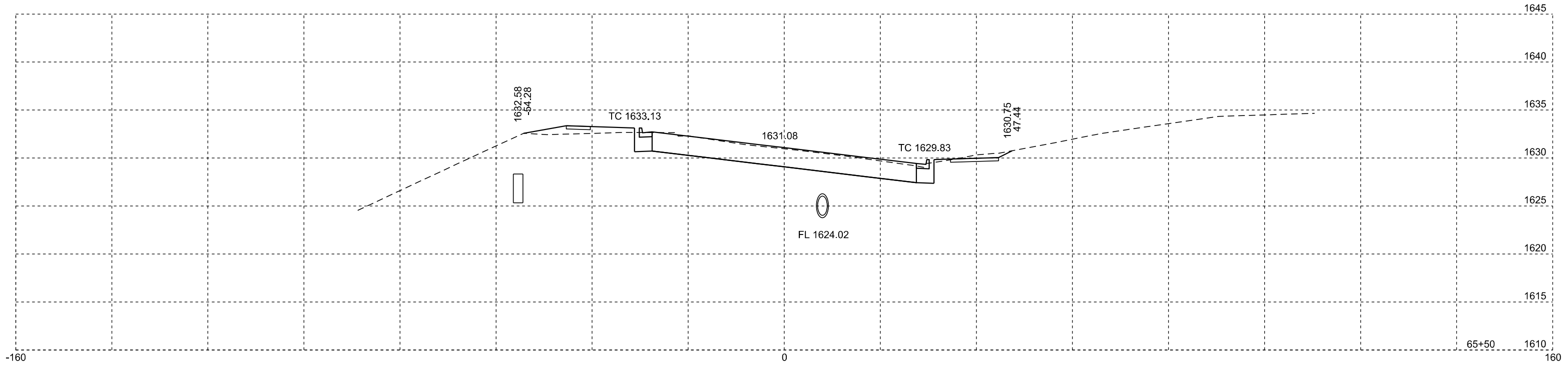
STATE OF SOUTH DAKOTA	PROJECT	SHEET	TOTAL SHEETS
	NH 0014(185)229	X13	X81



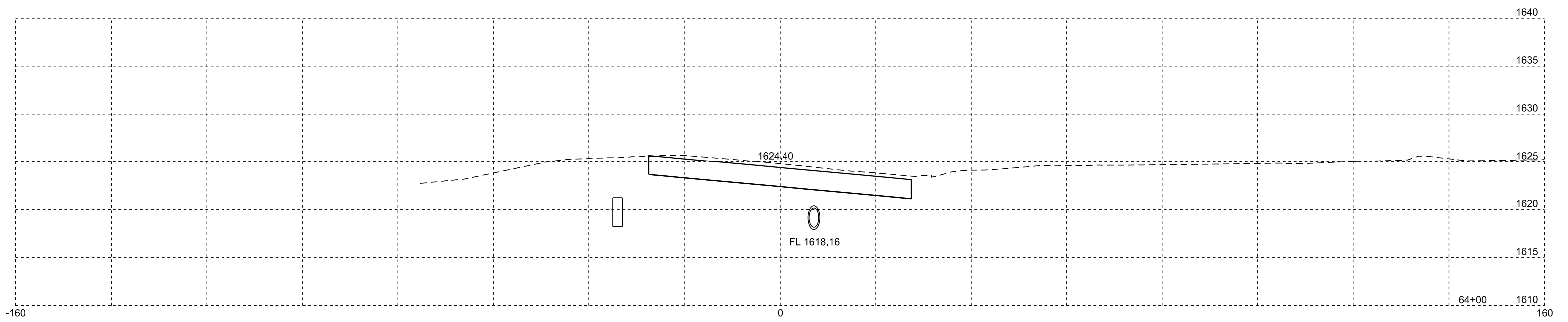
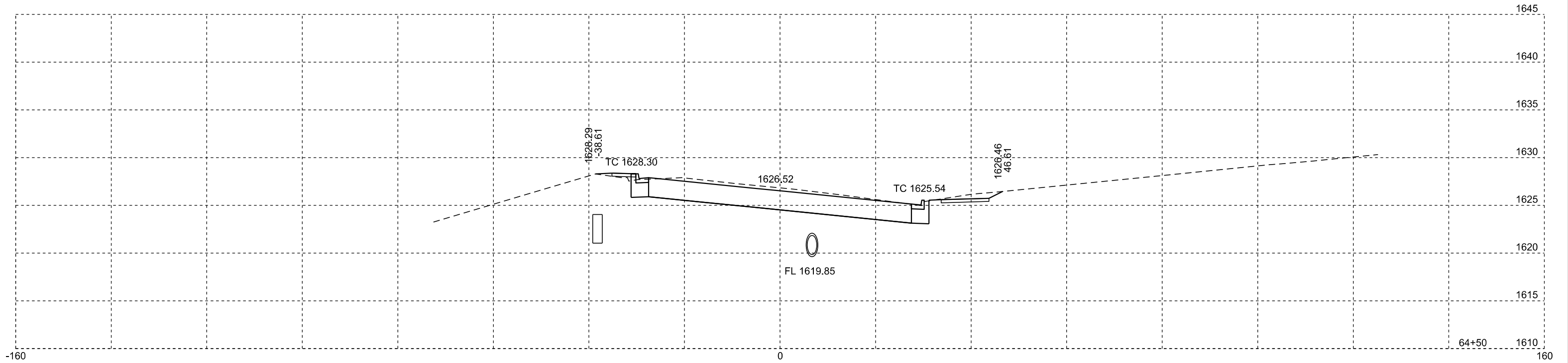
STATE OF SOUTH DAKOTA	PROJECT	SHEET	TOTAL SHEETS
	NH 0014(185)229	X14	X81



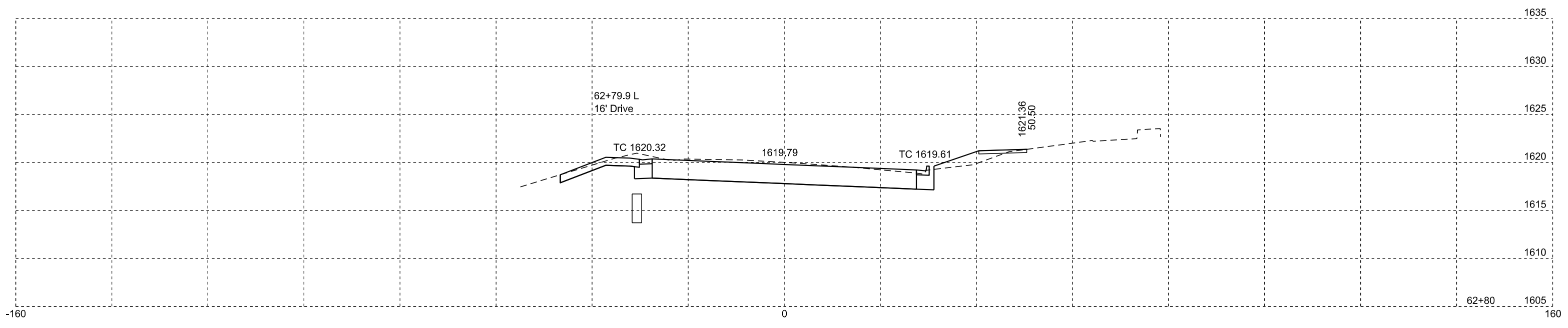
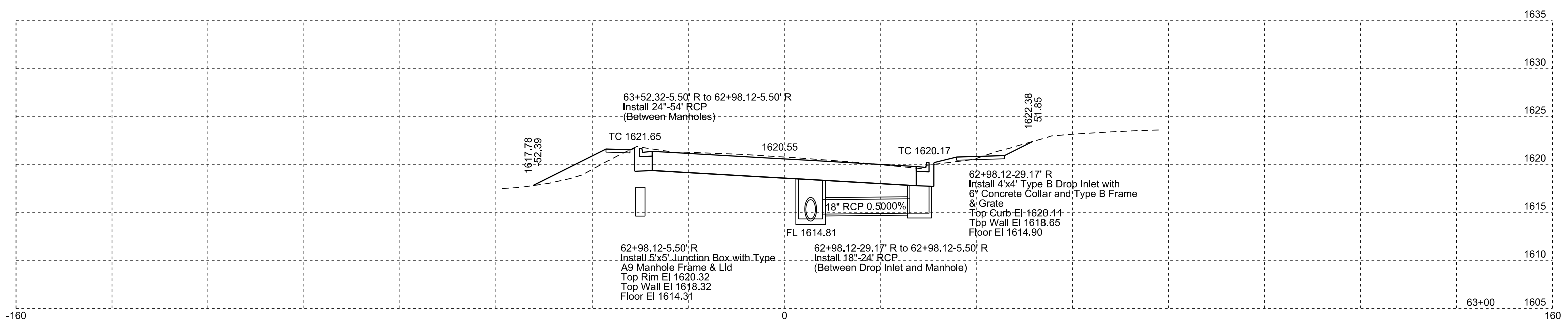
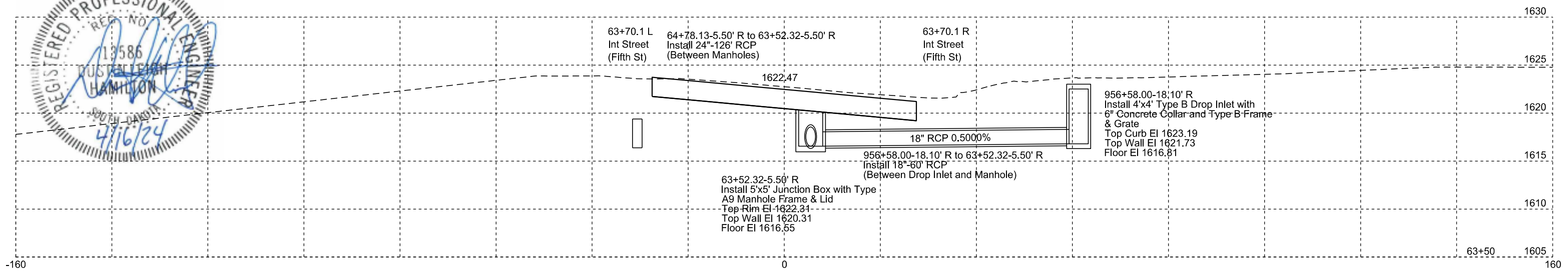
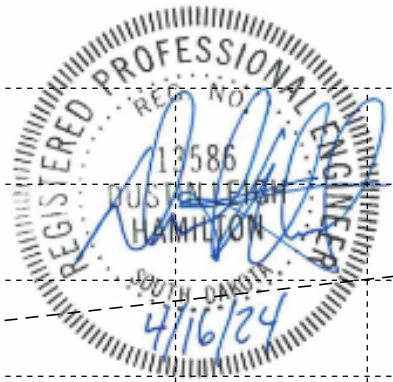
STATE OF SOUTH DAKOTA	PROJECT	SHEET	TOTAL SHEETS
	NH 0014(185)229	X15	X81



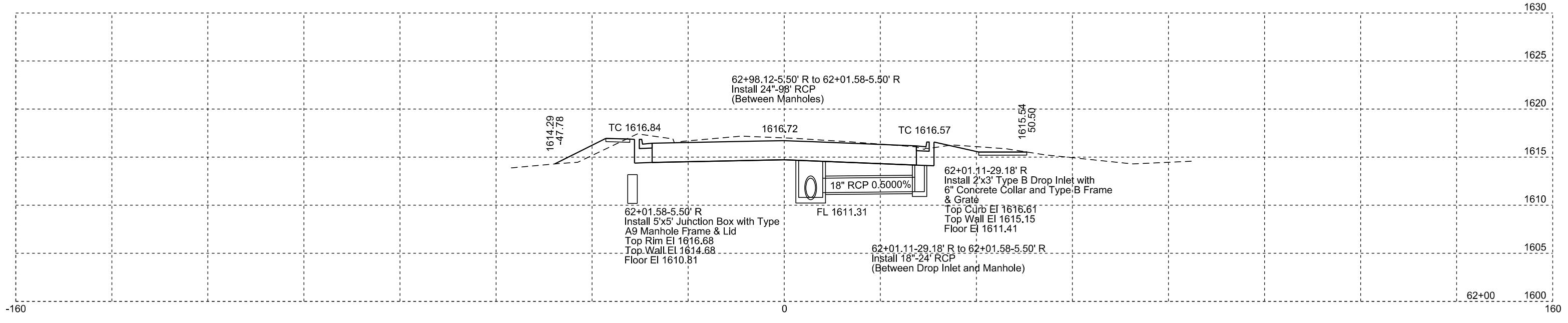
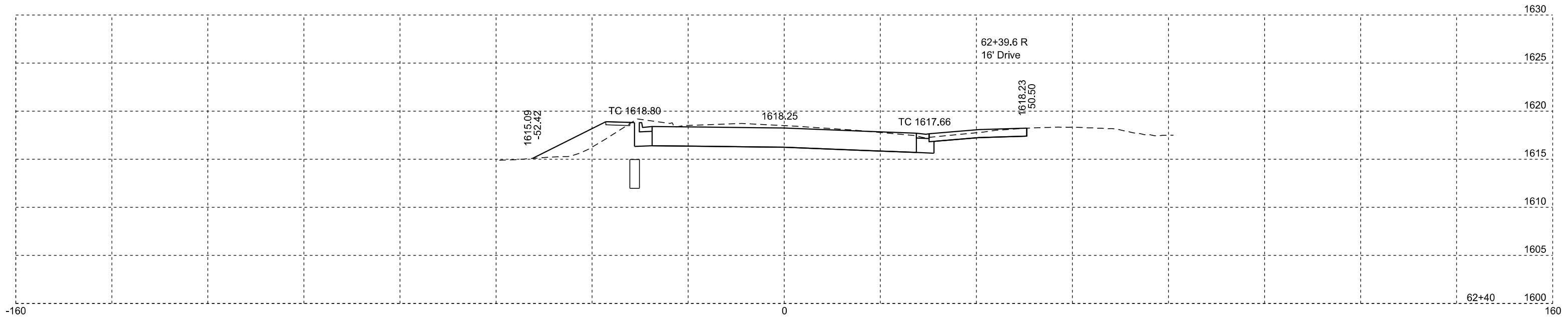
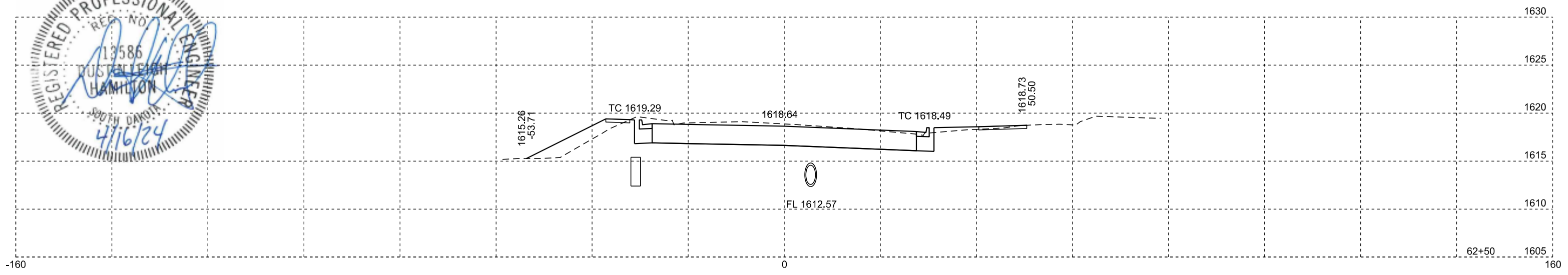
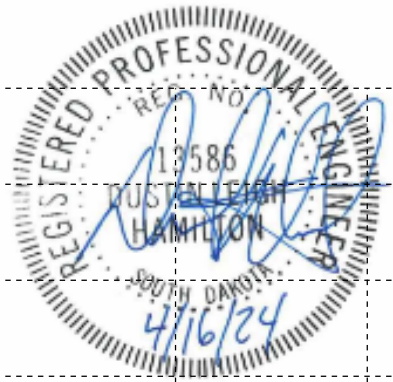
STATE OF SOUTH DAKOTA	PROJECT	SHEET	TOTAL SHEETS
	NH 0014(185)229	X16	X81



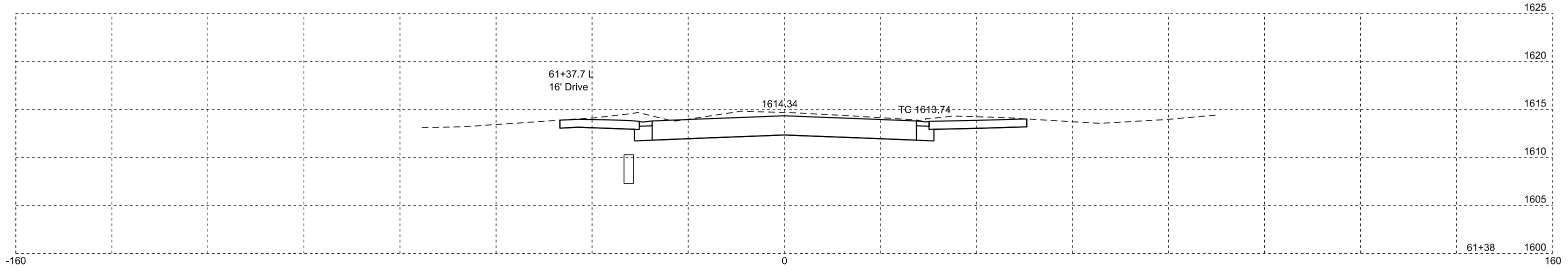
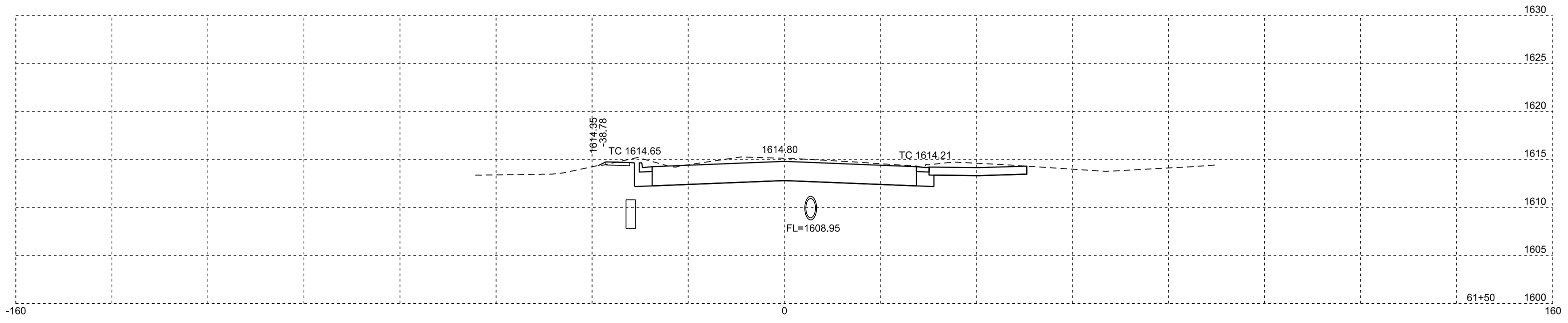
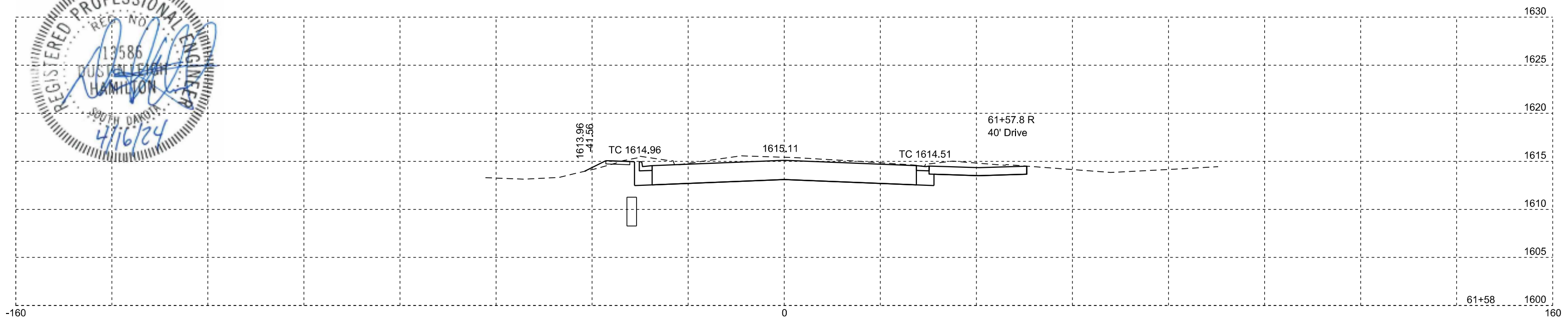
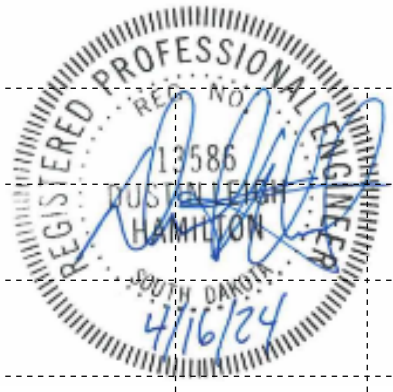
STATE OF SOUTH DAKOTA	PROJECT	SHEET	TOTAL SHEETS
	NH 0014(185)229	X17	X81



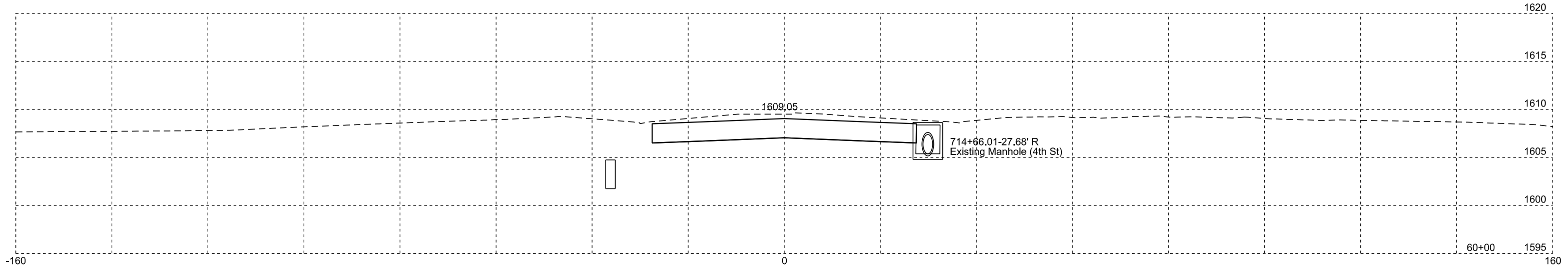
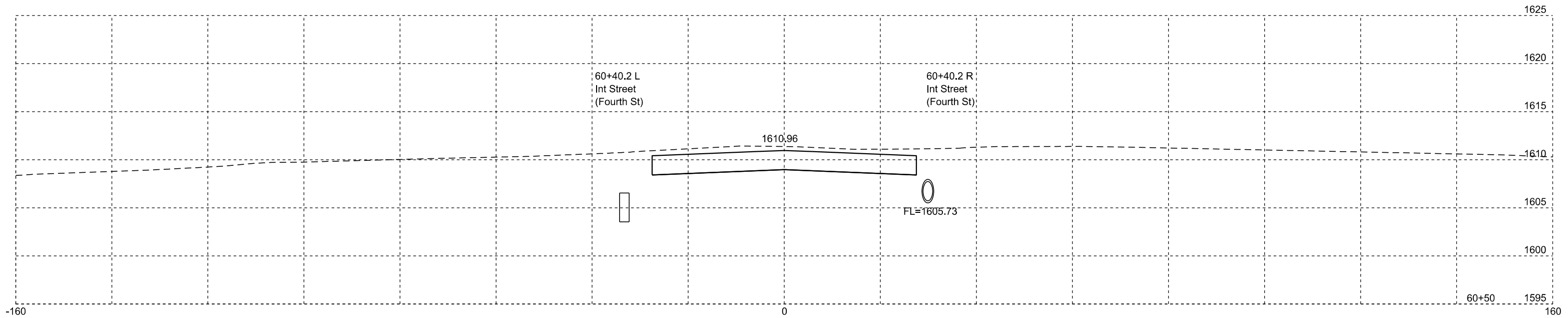
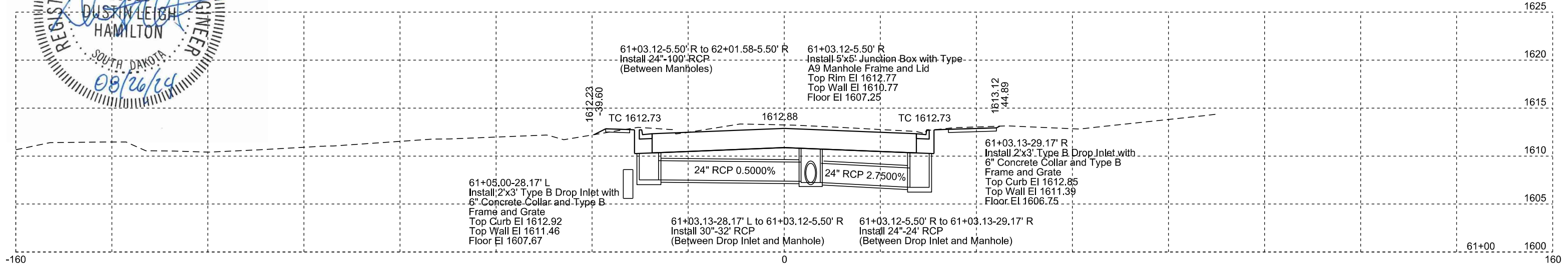
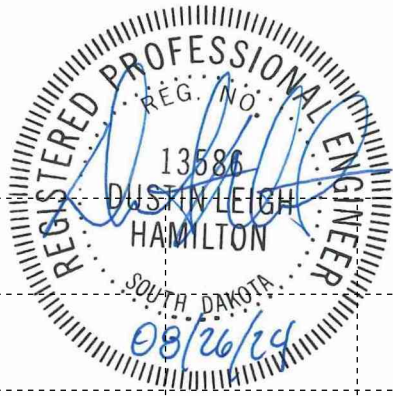
STATE OF SOUTH DAKOTA	PROJECT	SHEET	TOTAL SHEETS
	NH 0014(185)229	X18	X81



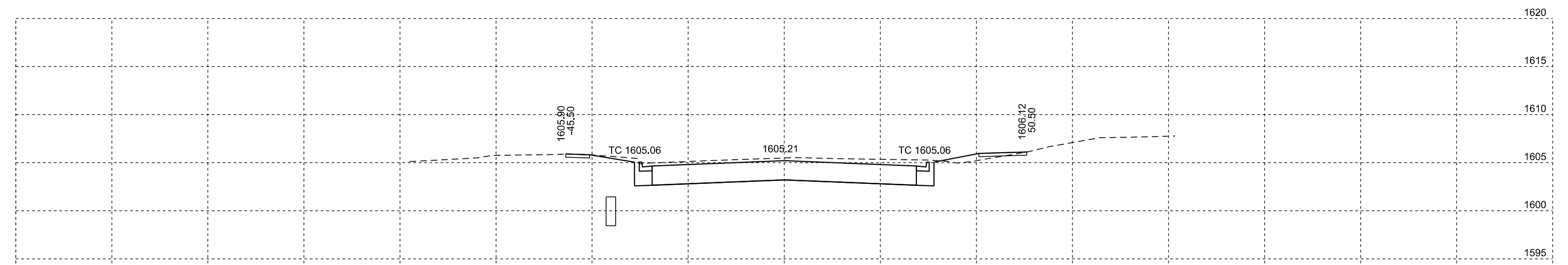
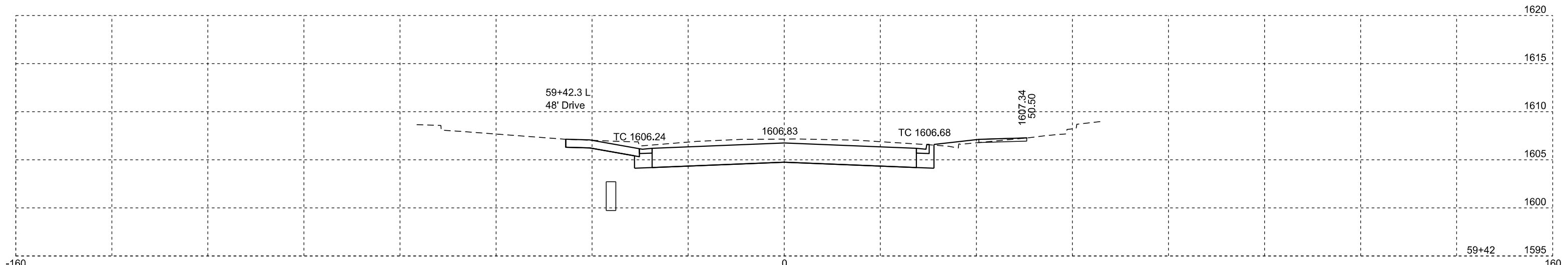
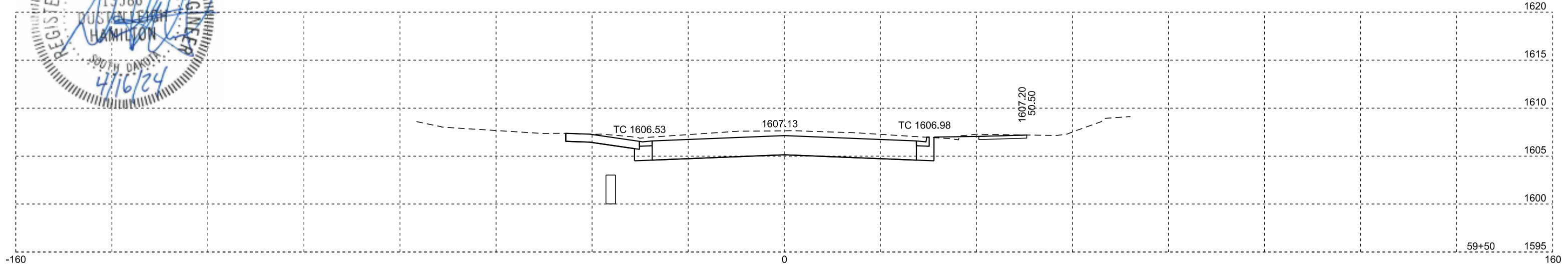
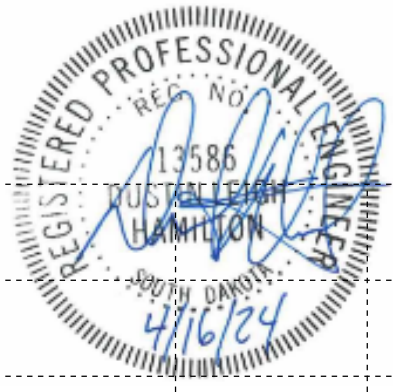
STATE OF SOUTH DAKOTA	PROJECT	SHEET	TOTAL SHEETS
	NH 0014(185)229	X19	X81



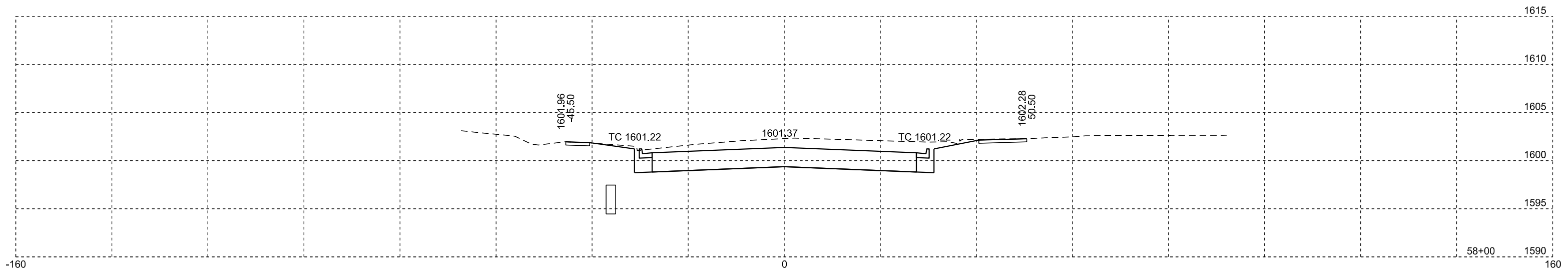
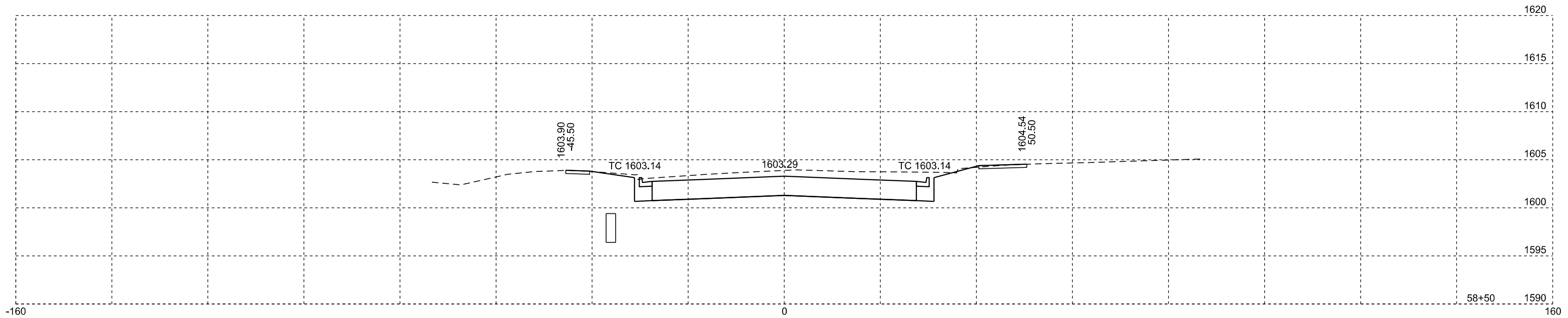
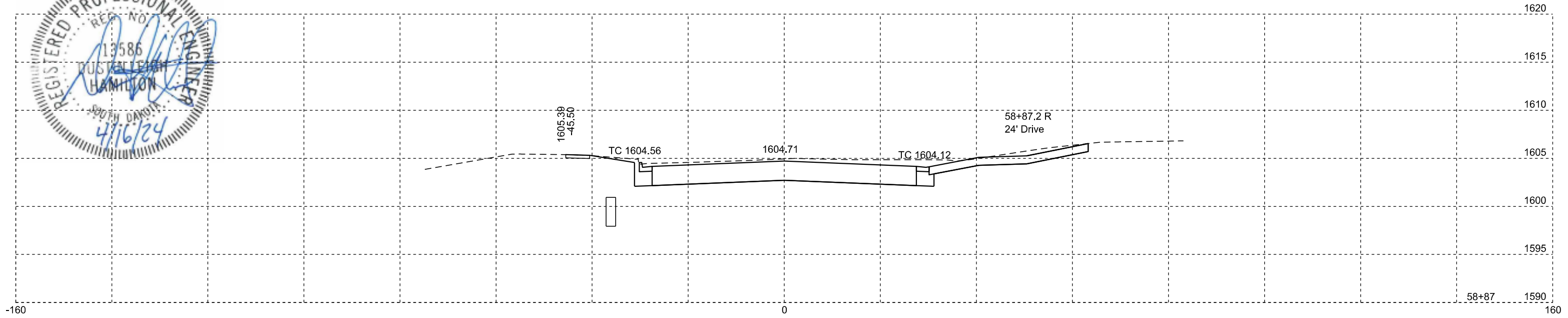
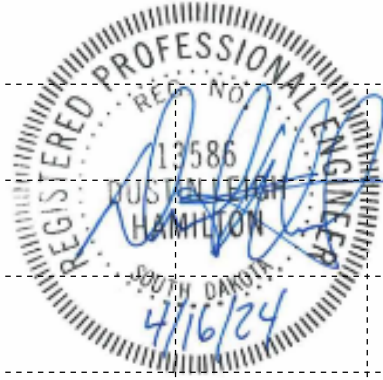
STATE OF SOUTH DAKOTA	PROJECT	SHEET	TOTAL SHEETS
	NH 0014(185)229	X20	X81



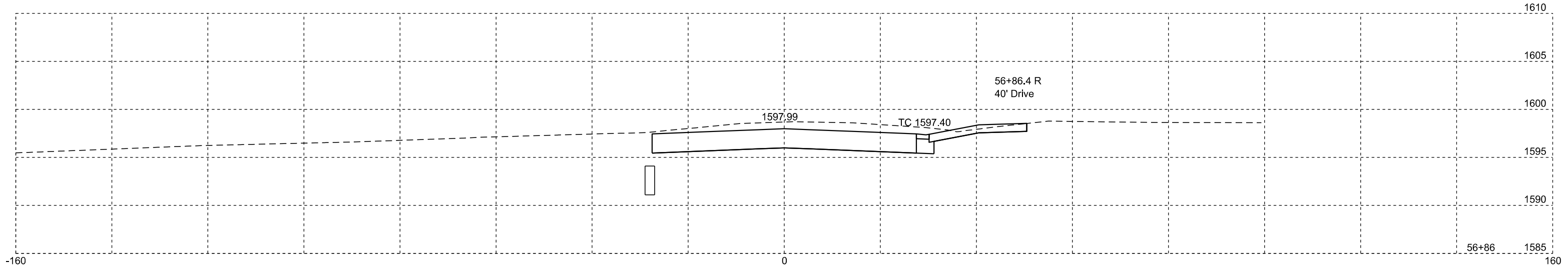
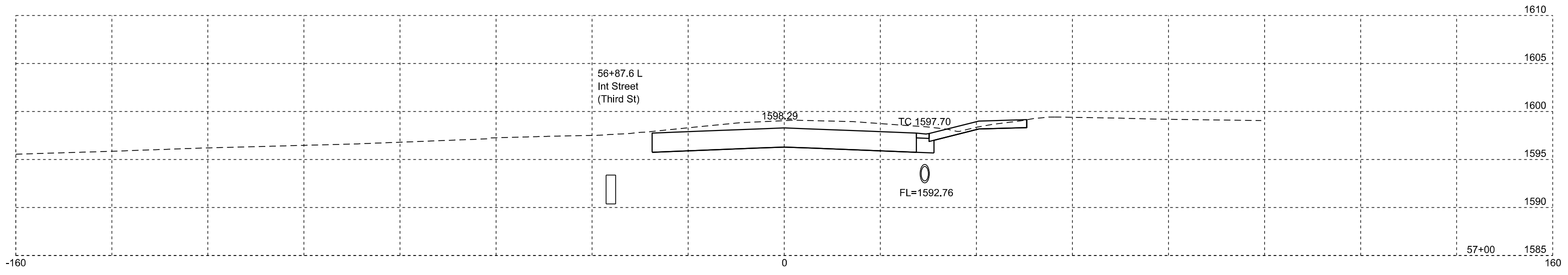
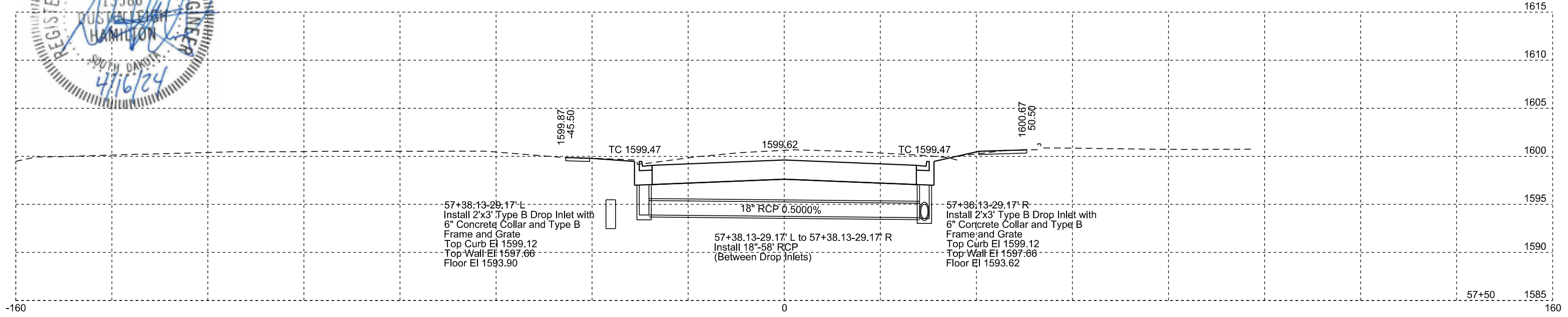
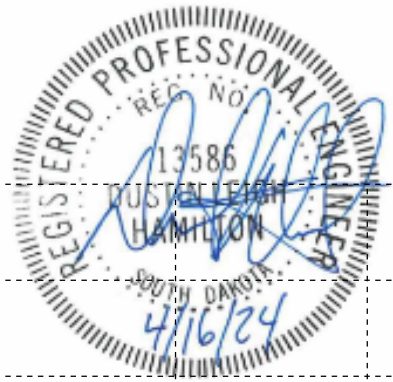
STATE OF SOUTH DAKOTA	PROJECT	SHEET	TOTAL SHEETS
	NH 0014(185)229	X21	X81



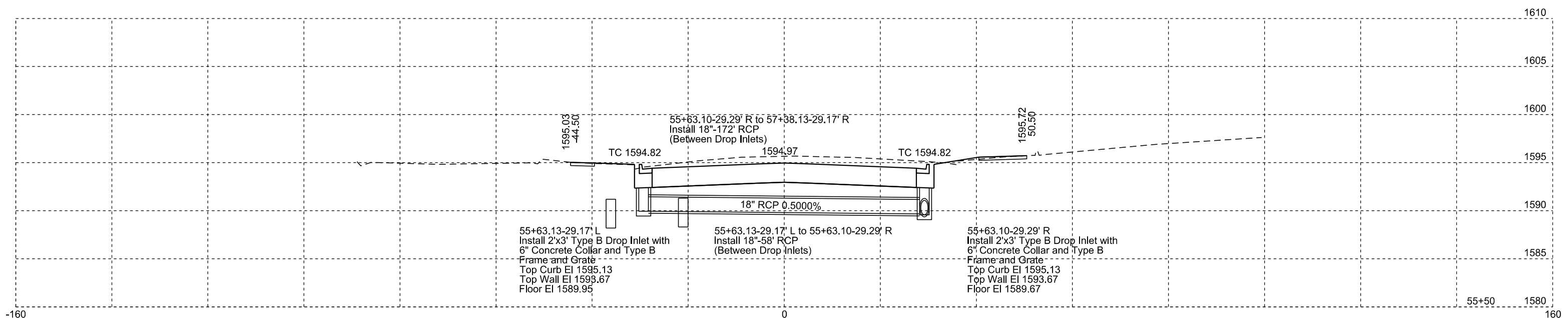
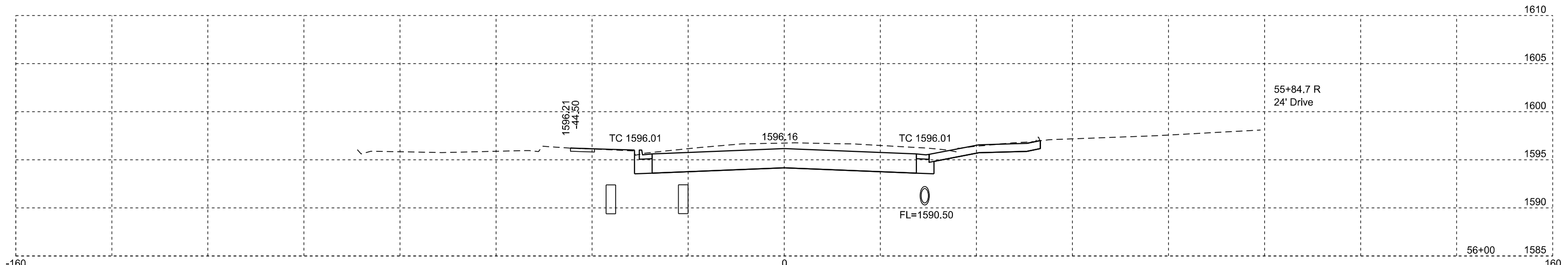
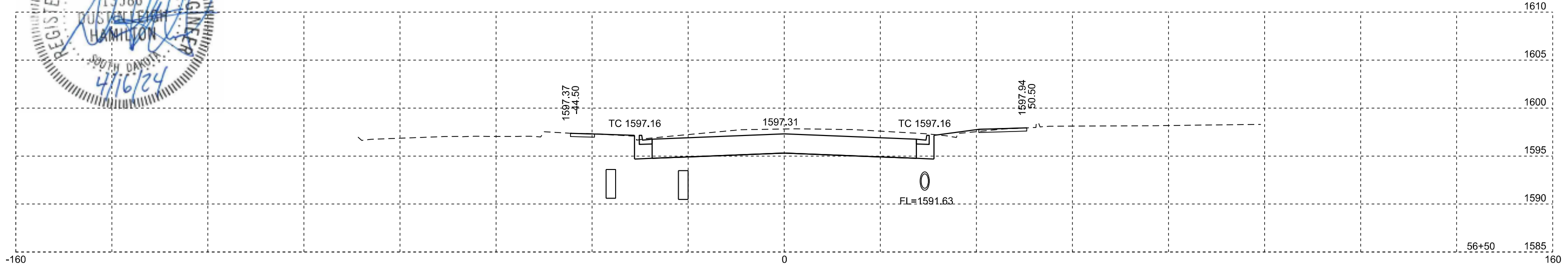
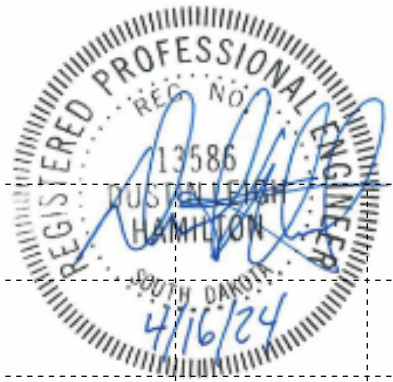
STATE OF SOUTH DAKOTA	PROJECT	SHEET	TOTAL SHEETS
	NH 0014(185)229	X22	X81



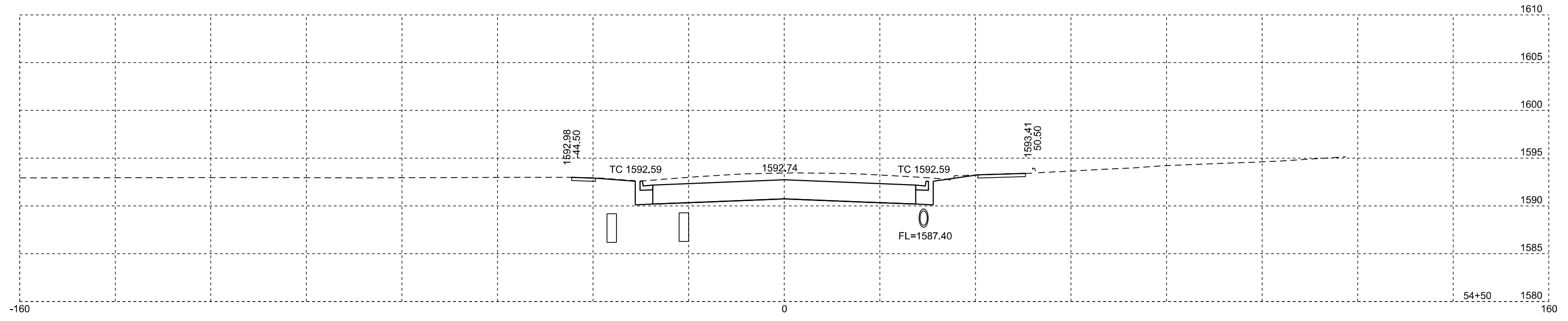
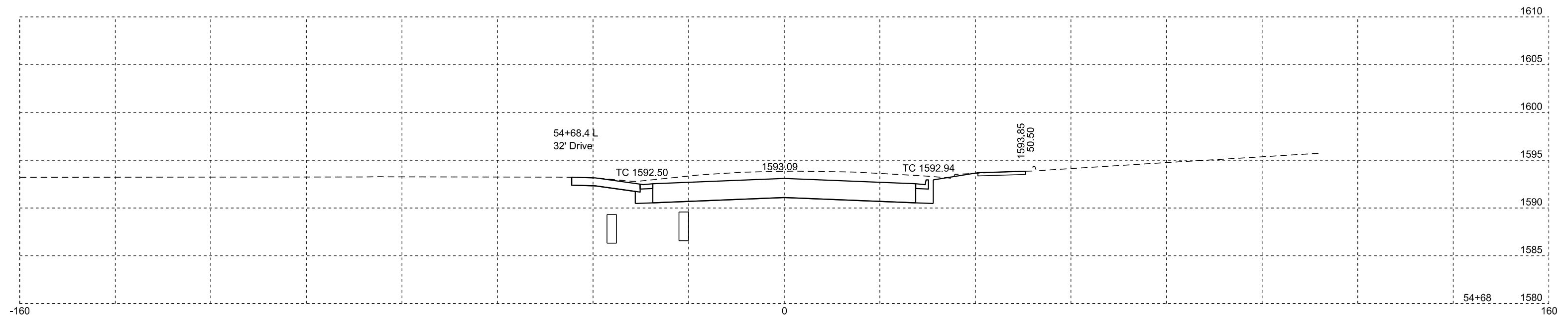
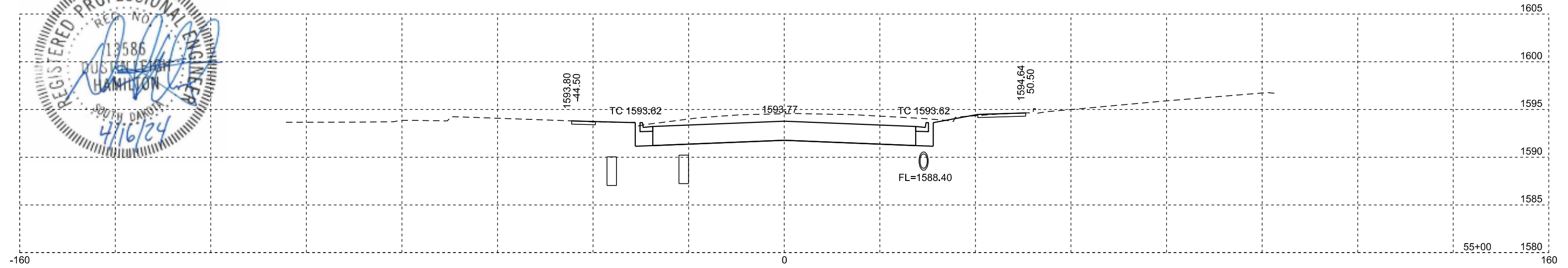
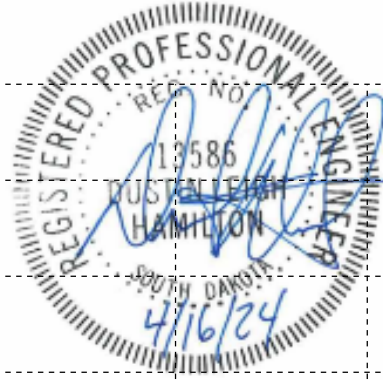
STATE OF SOUTH DAKOTA	PROJECT	SHEET	TOTAL SHEETS
	NH 0014(185)229	X23	X81



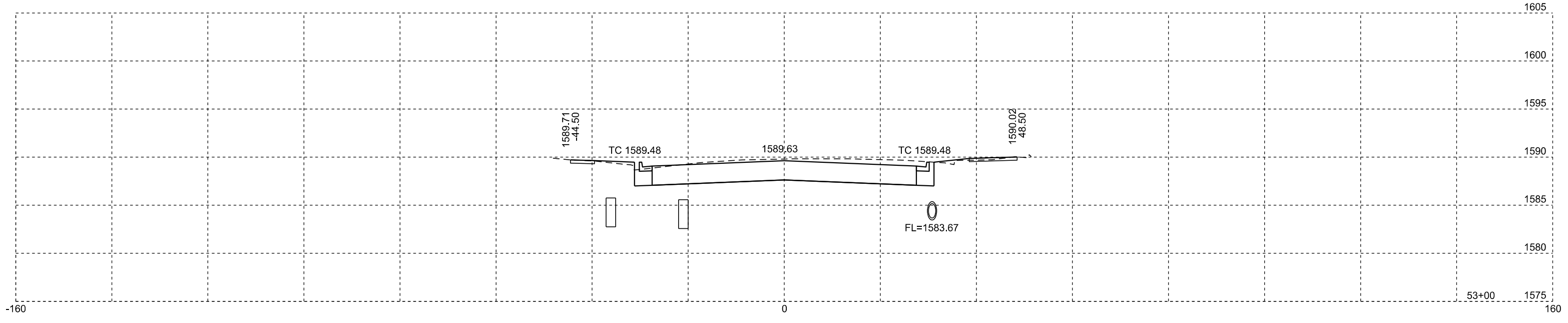
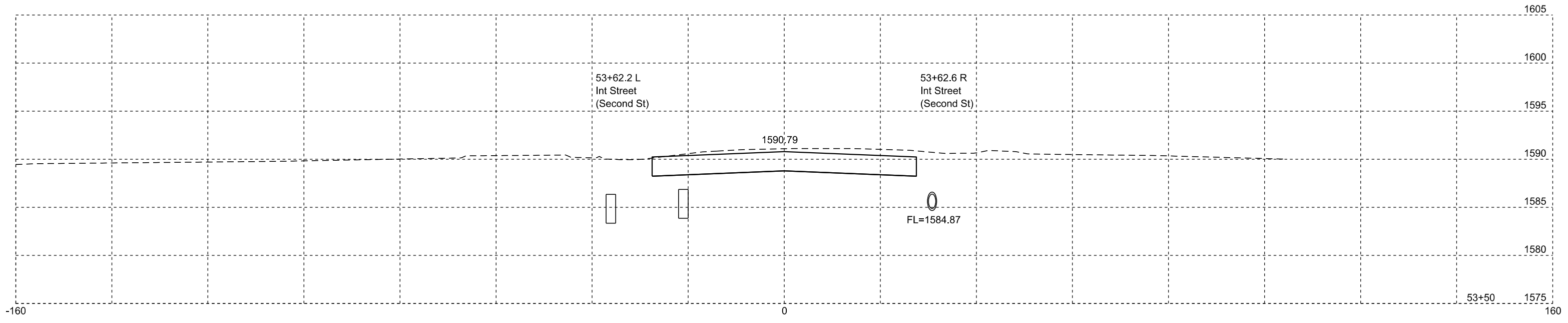
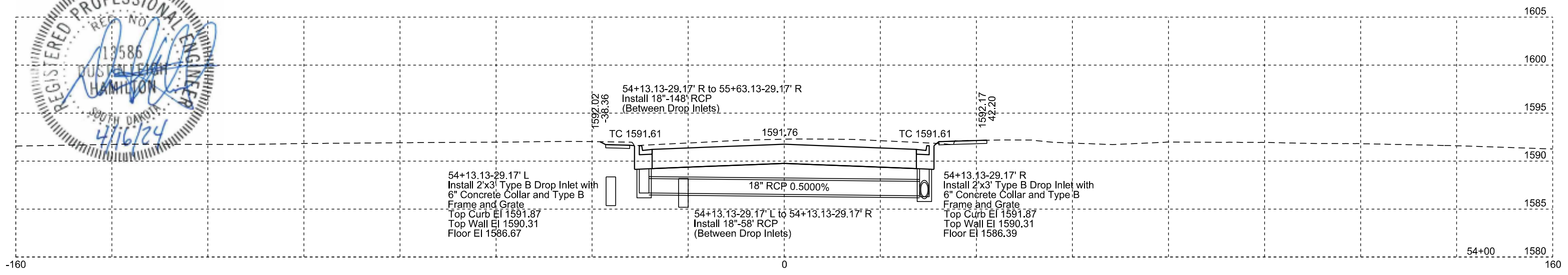
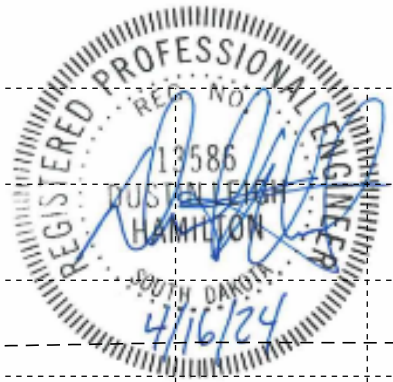
STATE OF SOUTH DAKOTA	PROJECT	SHEET	TOTAL SHEETS
	NH 0014(185)229	X24	X81



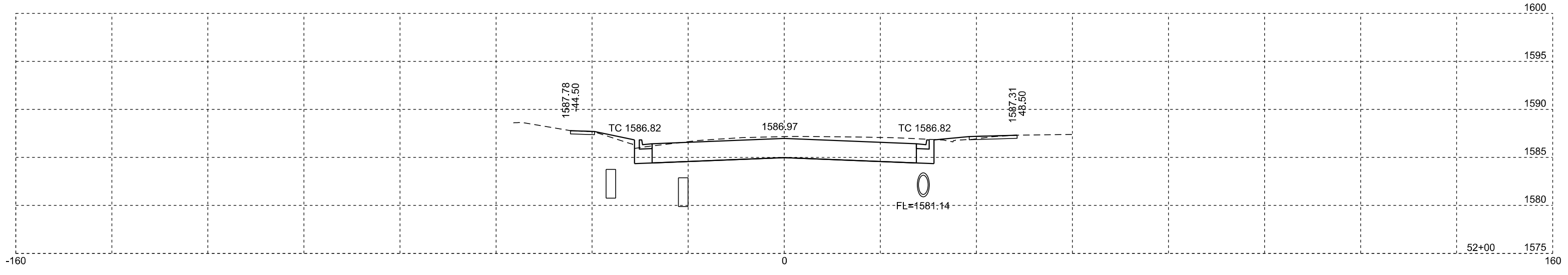
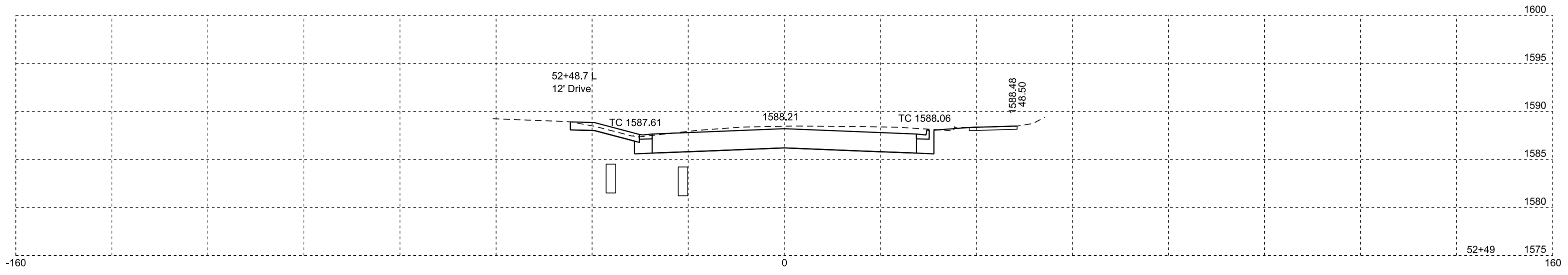
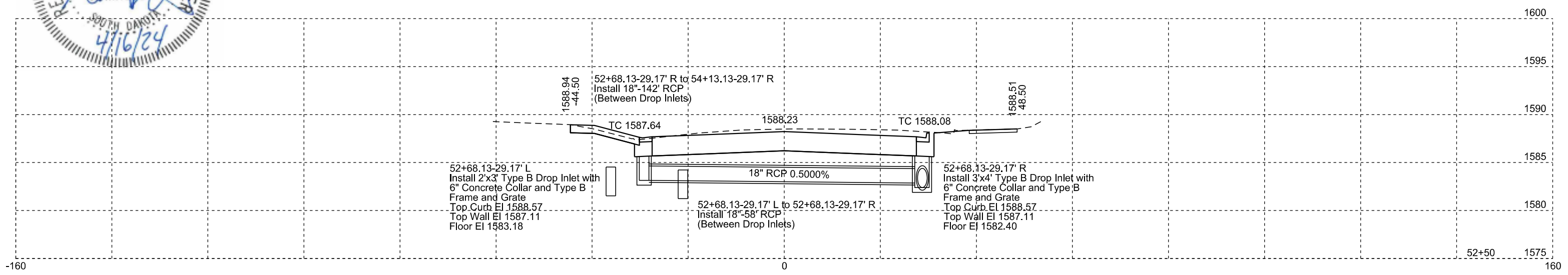
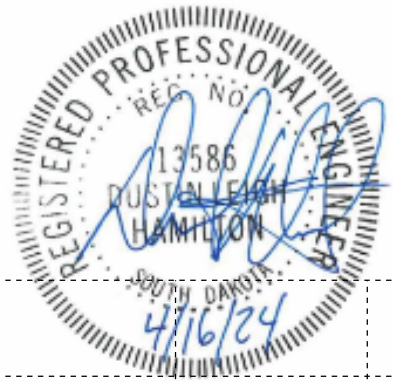
STATE OF SOUTH DAKOTA	PROJECT	SHEET	TOTAL SHEETS
	NH 0014(185)229	X25	X81



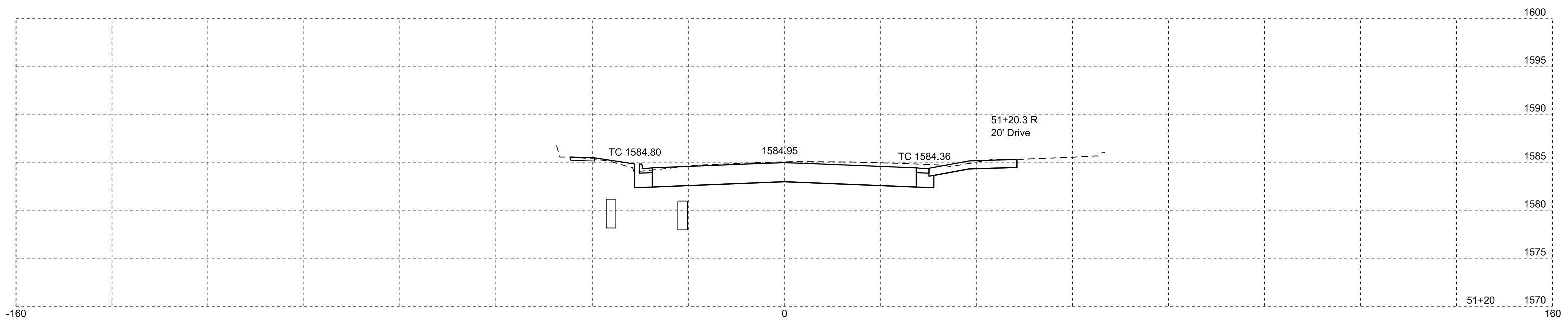
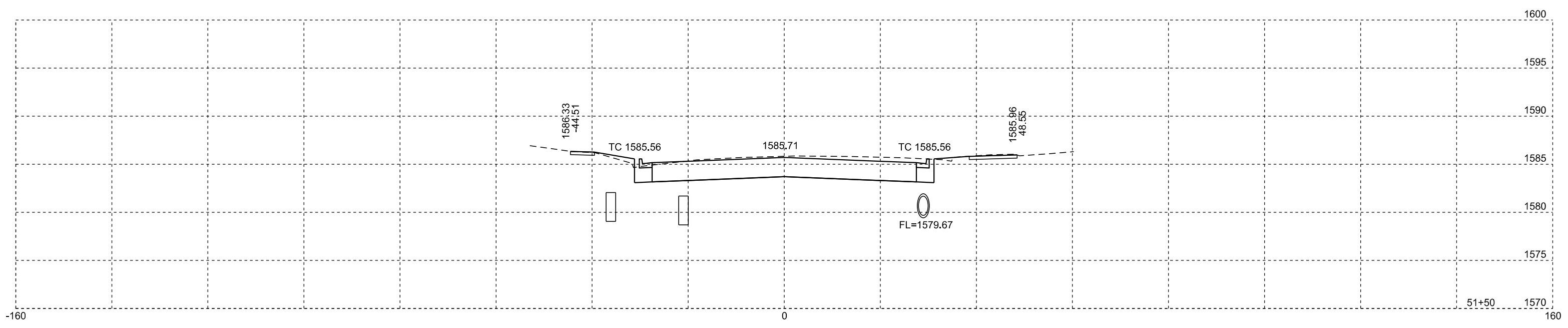
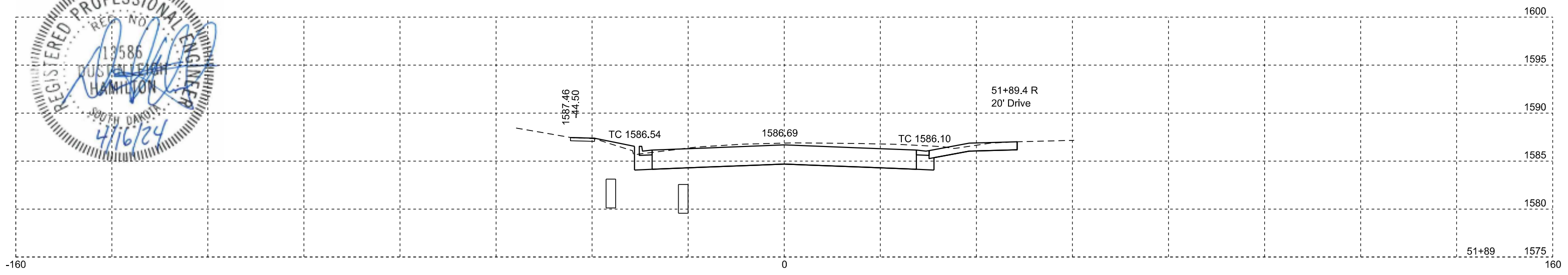
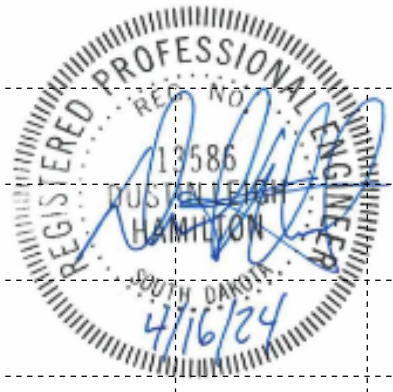
STATE OF SOUTH DAKOTA	PROJECT	SHEET	TOTAL SHEETS
	NH 0014(185)229	X26	X81



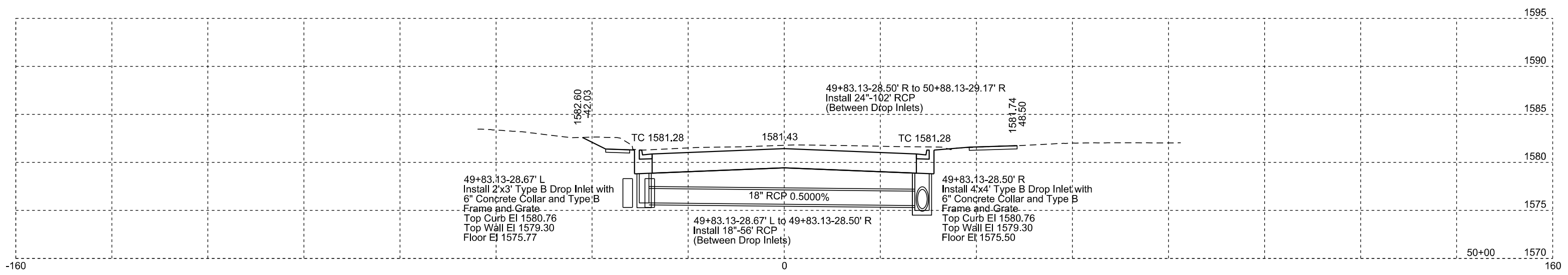
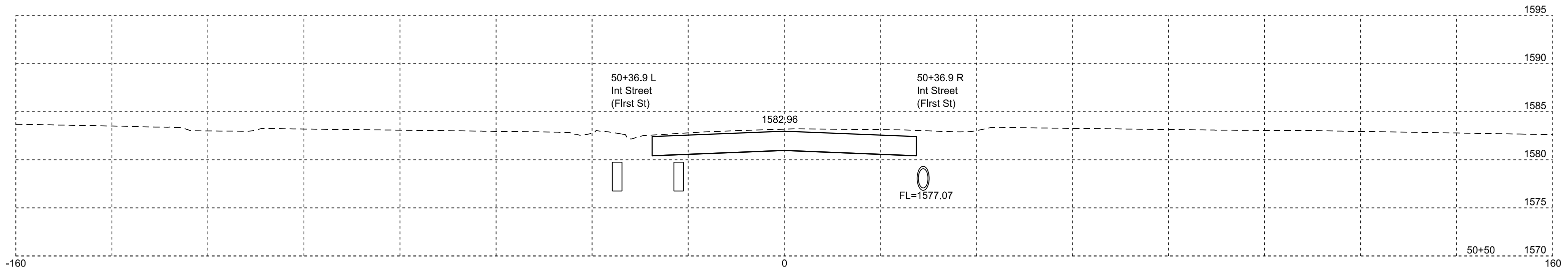
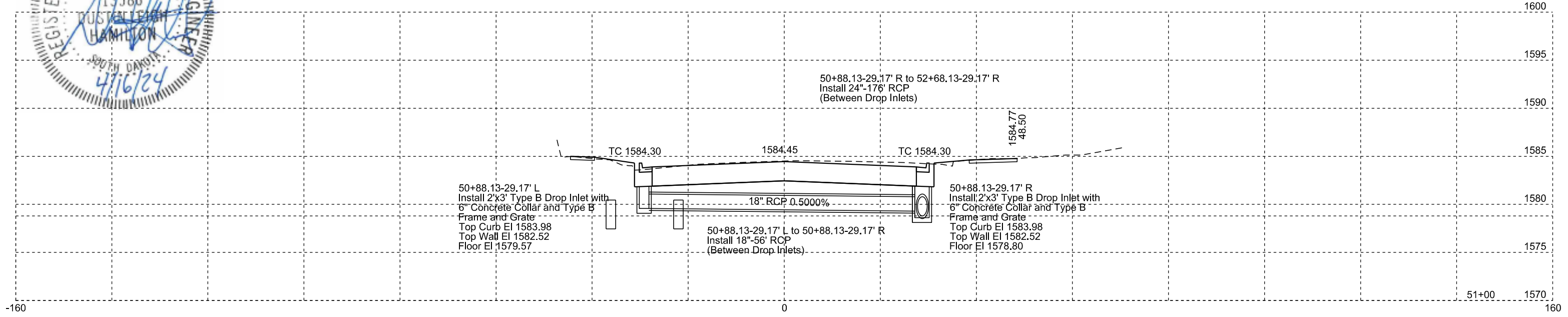
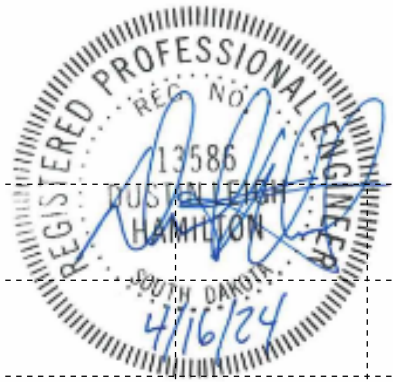
STATE OF SOUTH DAKOTA	PROJECT	SHEET	TOTAL SHEETS
	NH 0014(185)229	X27	X81



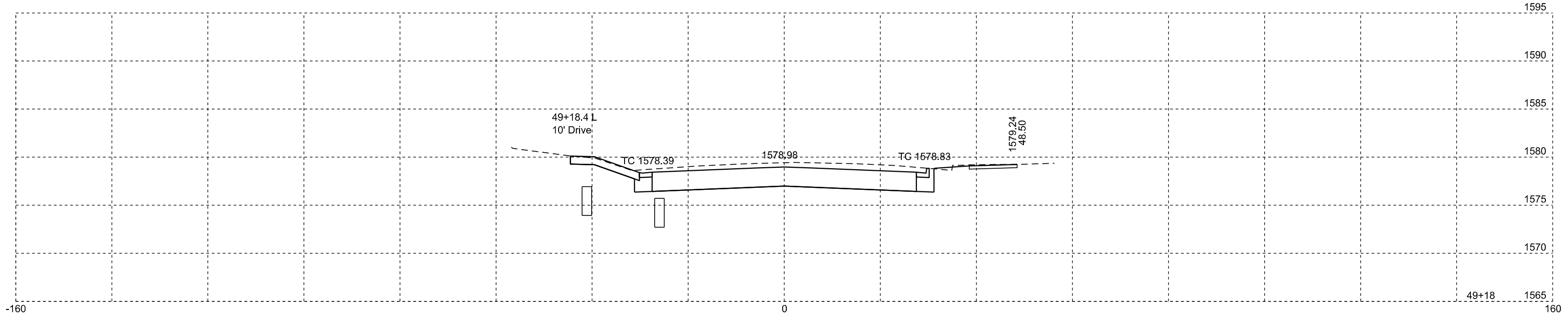
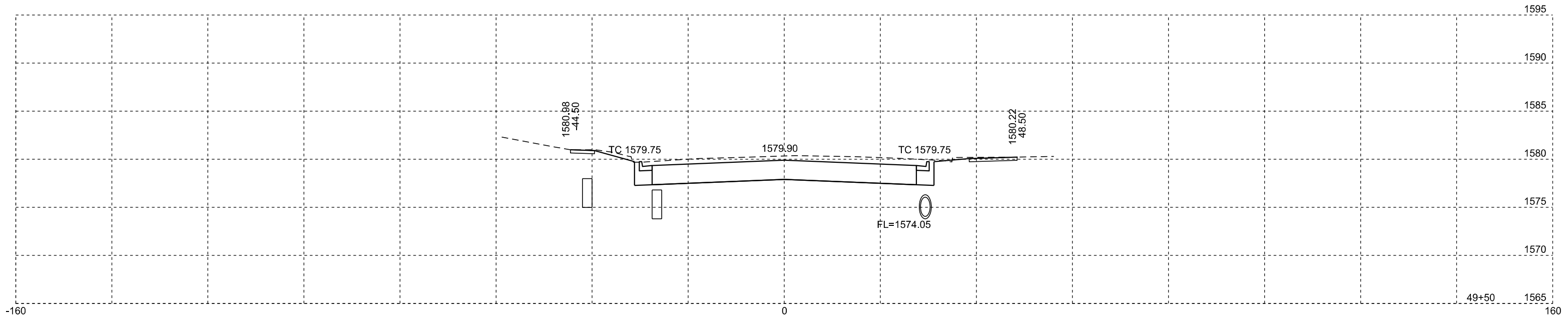
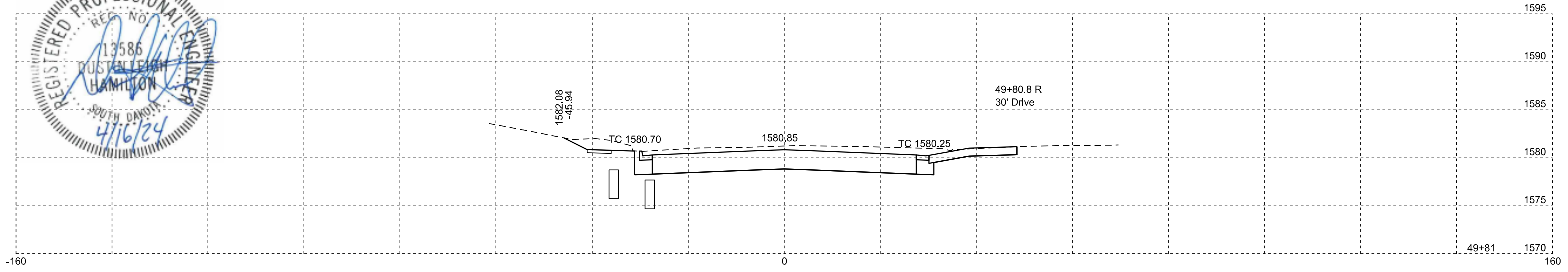
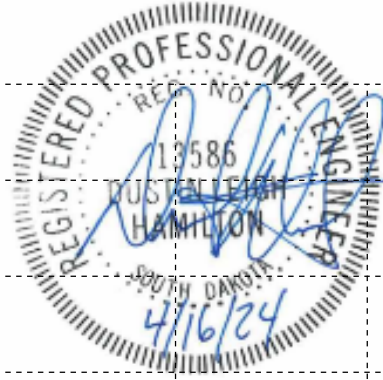
STATE OF SOUTH DAKOTA	PROJECT	SHEET	TOTAL SHEETS
	NH 0014(185)229	X28	X81



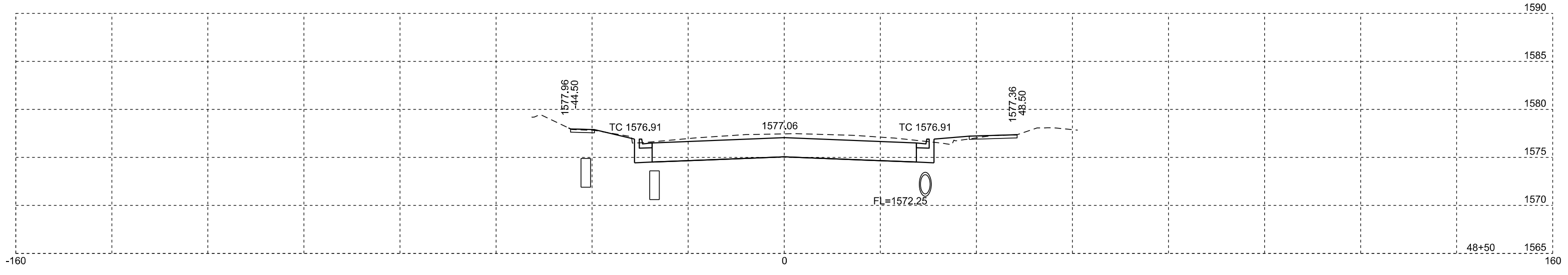
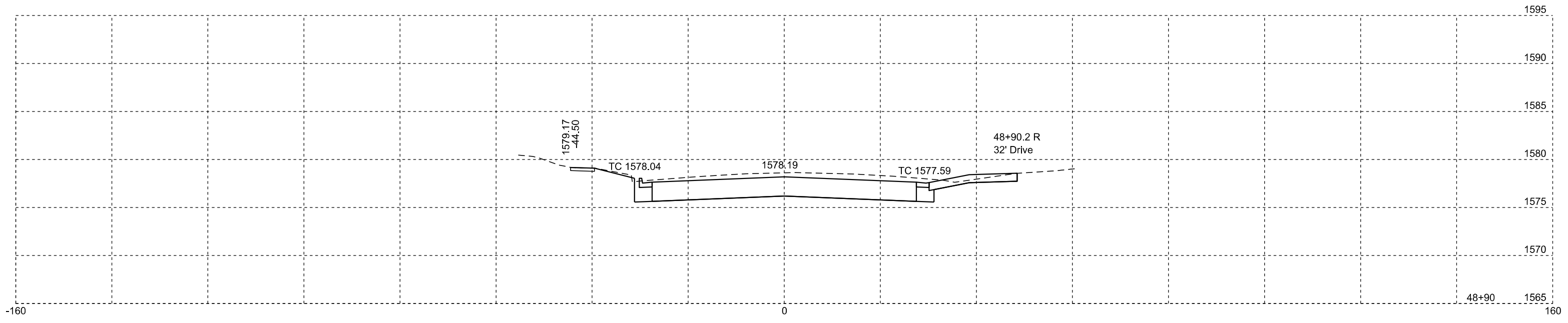
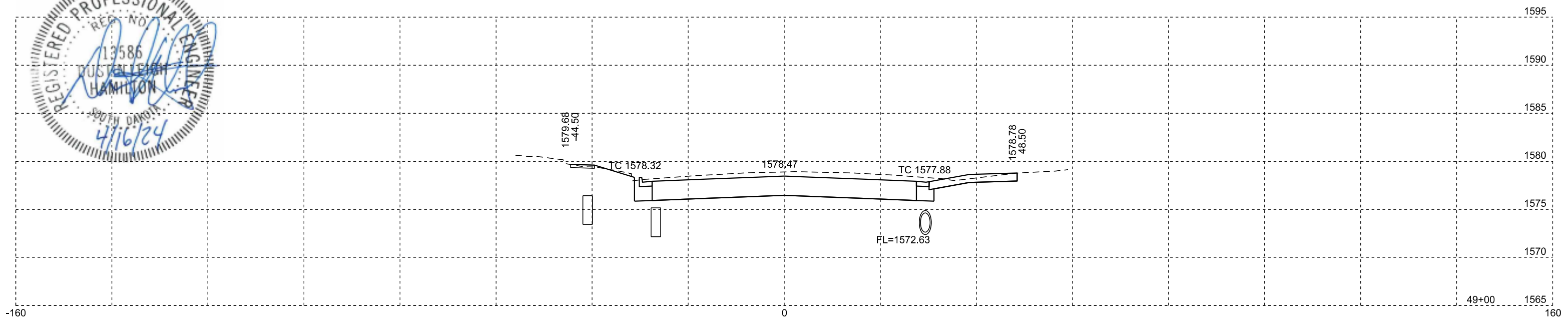
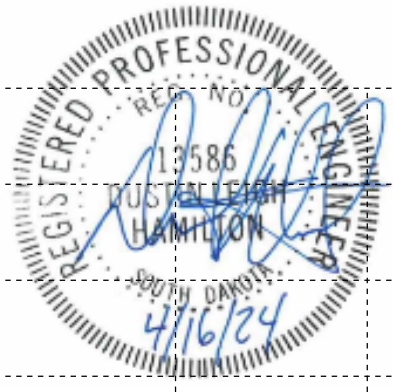
STATE OF SOUTH DAKOTA	PROJECT	SHEET	TOTAL SHEETS
	NH 0014(185)229	X29	X81



STATE OF SOUTH DAKOTA	PROJECT	SHEET	TOTAL SHEETS
	NH 0014(185)229	X30	X81

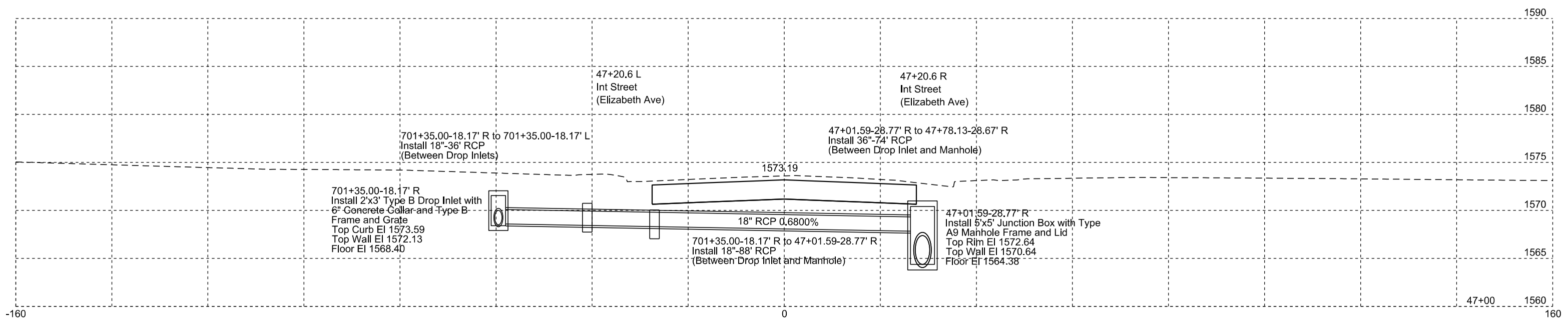
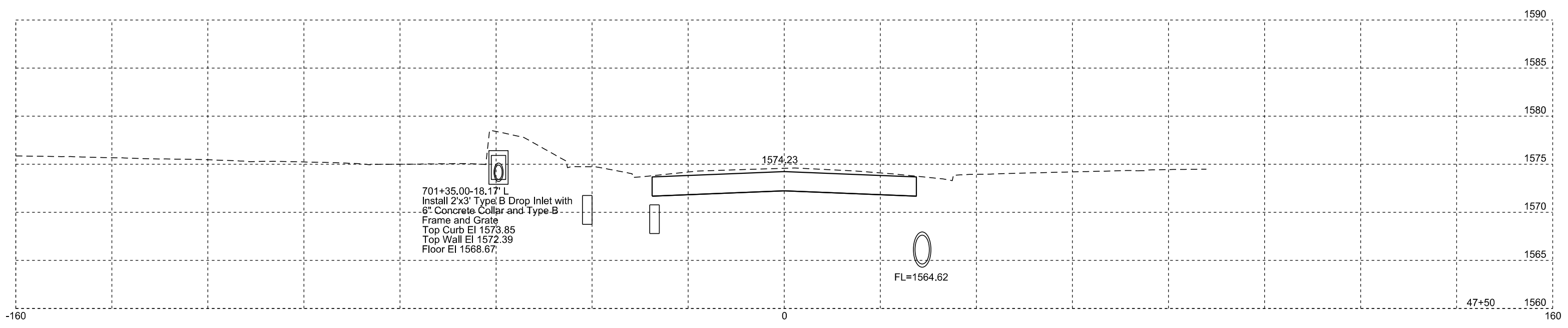
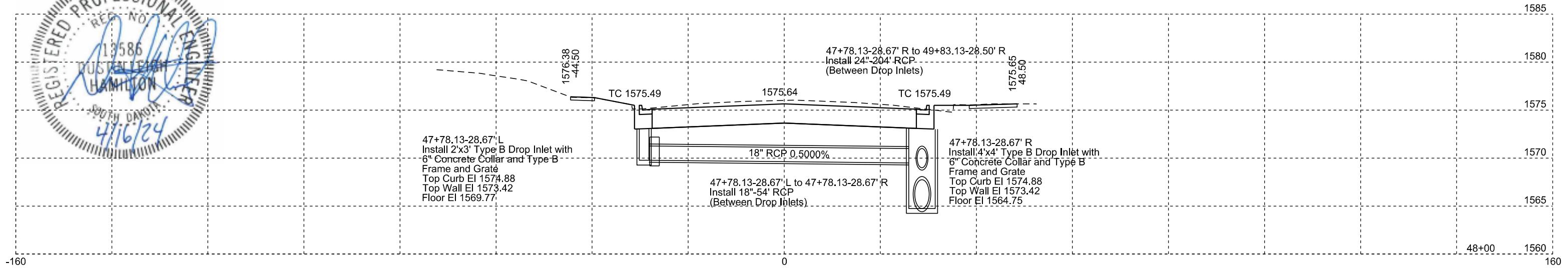
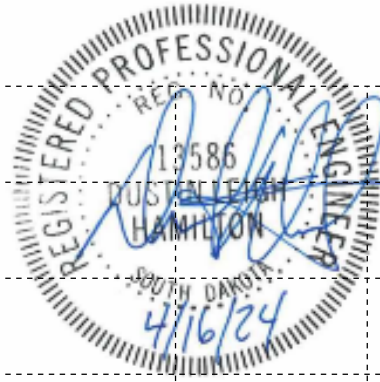


STATE OF SOUTH DAKOTA	PROJECT	SHEET	TOTAL SHEETS
	NH 0014(185)229	X31	X81



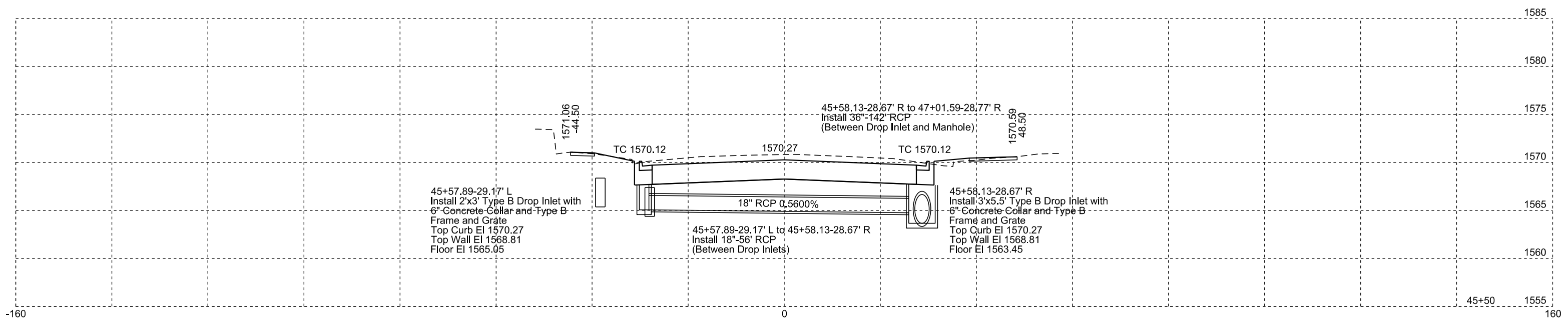
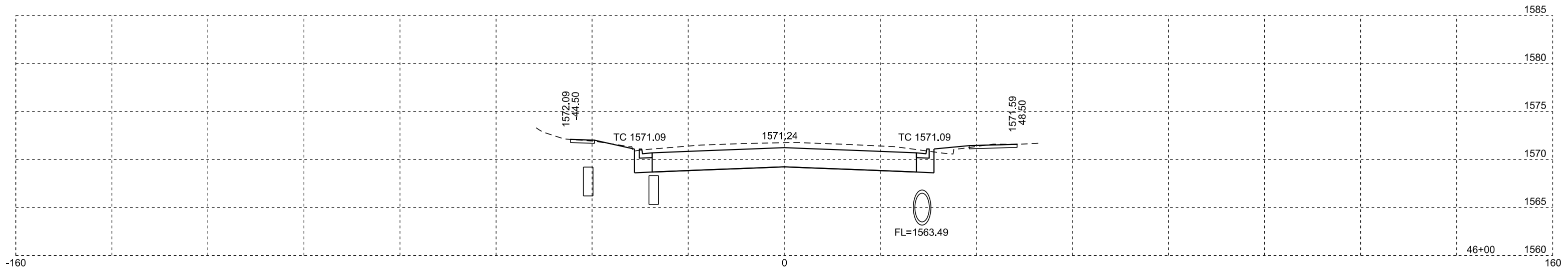
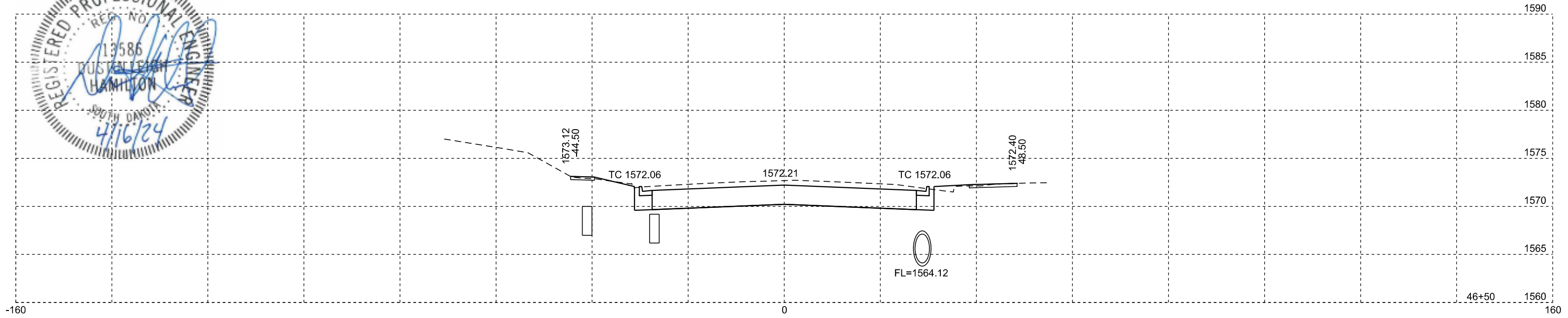
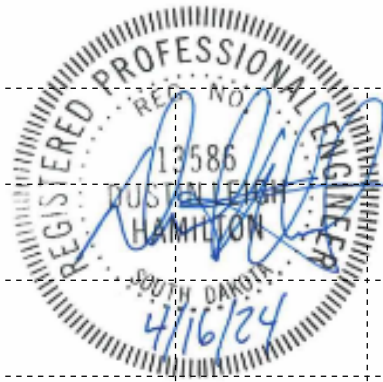
STATE OF SOUTH DAKOTA	PROJECT	SHEET	TOTAL SHEETS
	NH 0014(185)229	X32	X81

REV 11/30/23 GCE

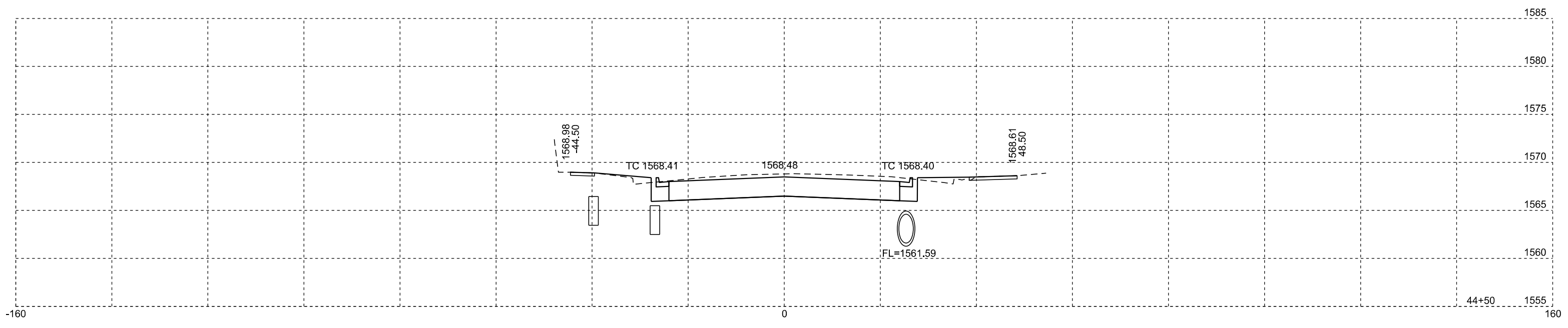
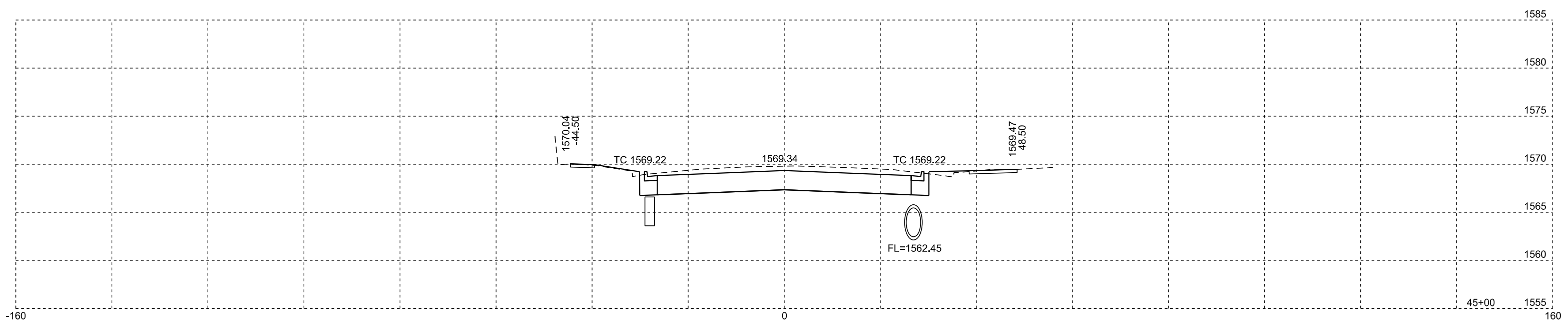
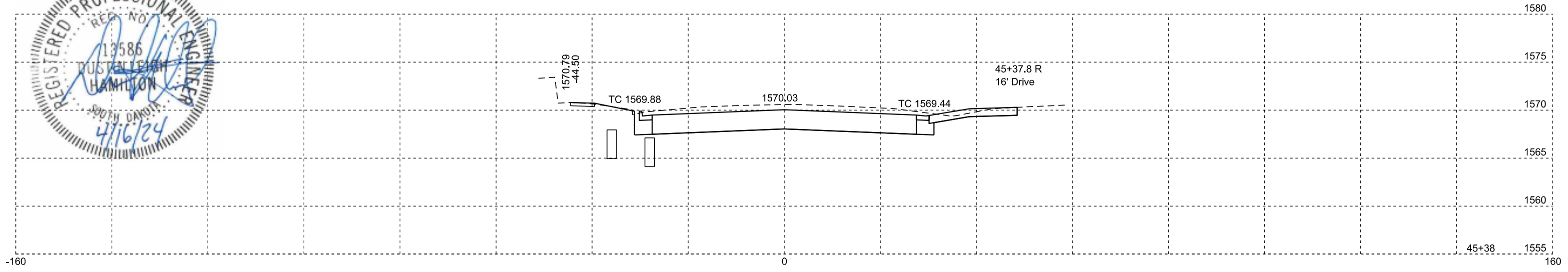
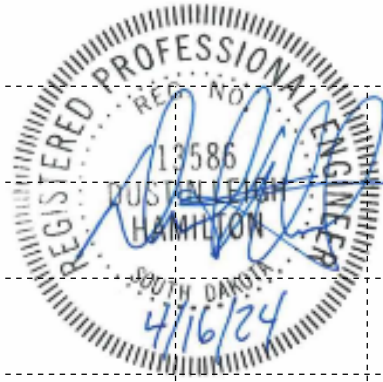


STATE OF SOUTH DAKOTA	PROJECT	SHEET	TOTAL SHEETS
	NH 0014(185)229	X33	X81

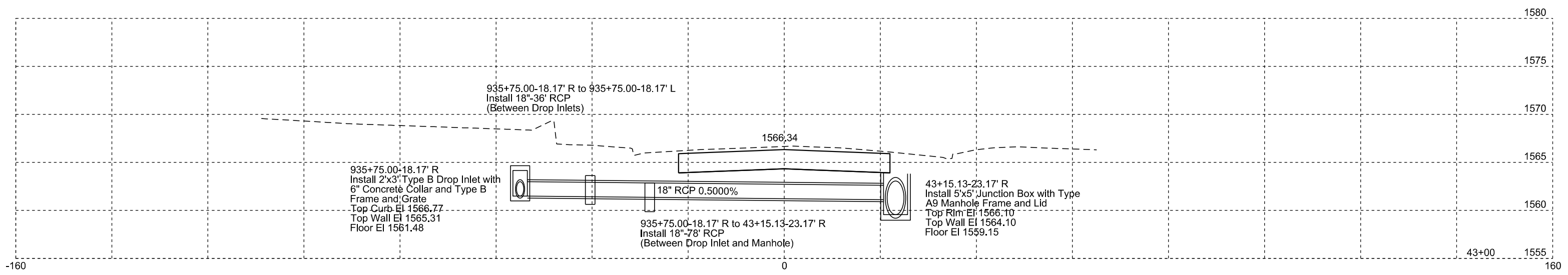
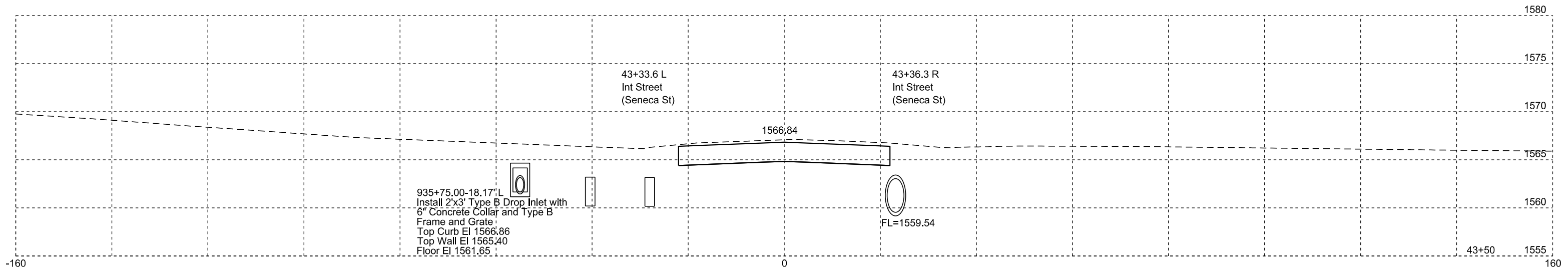
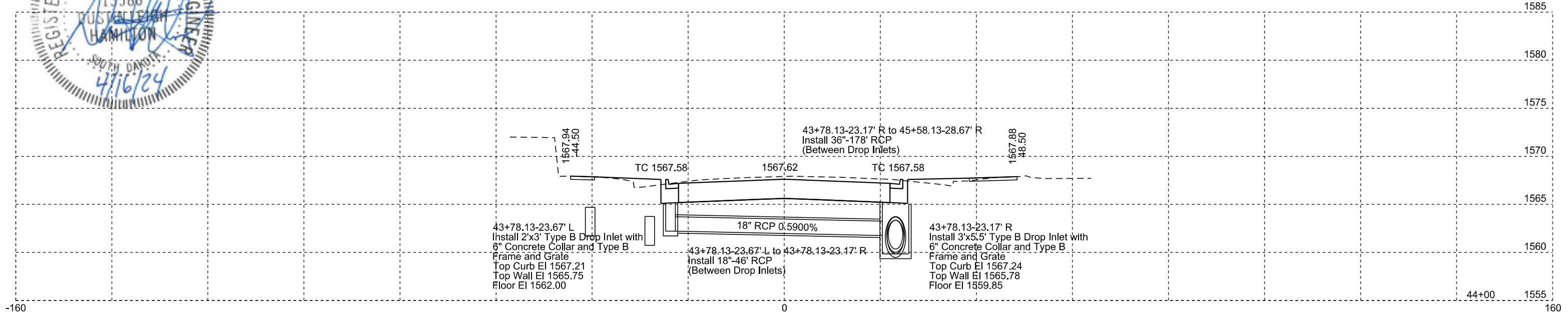
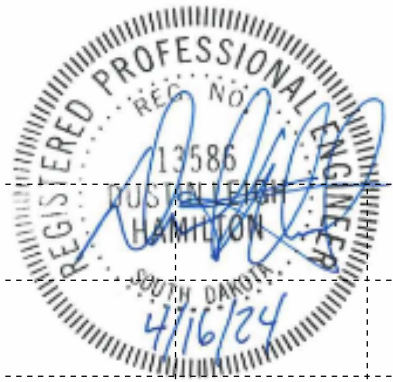
REV 11/30/23 GCE



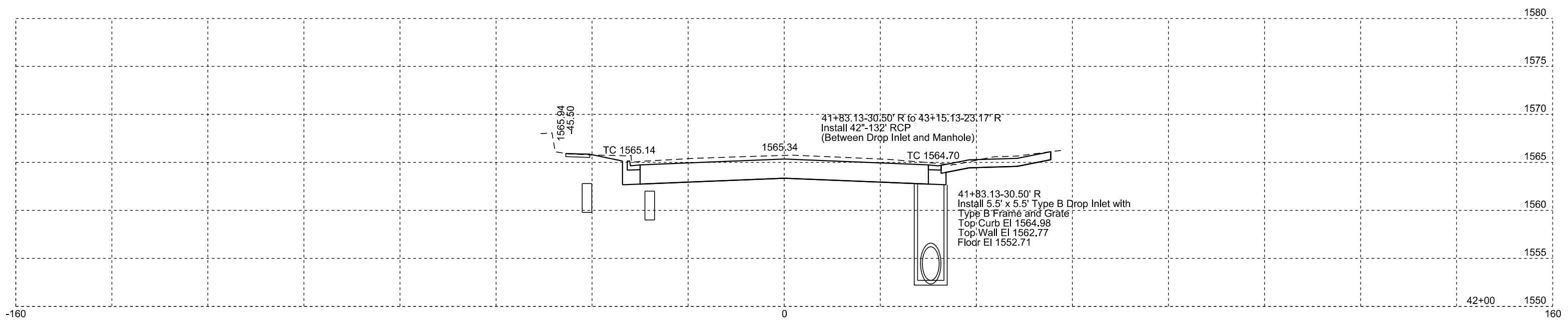
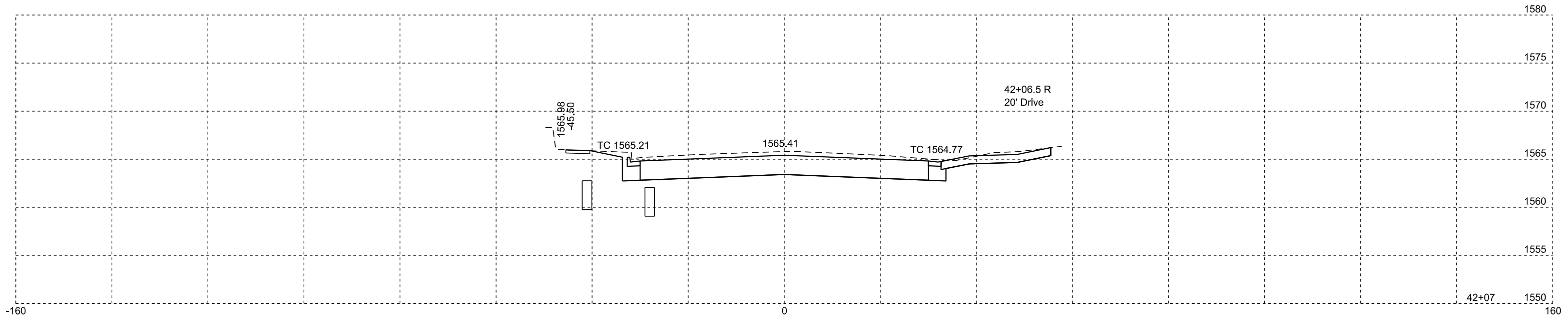
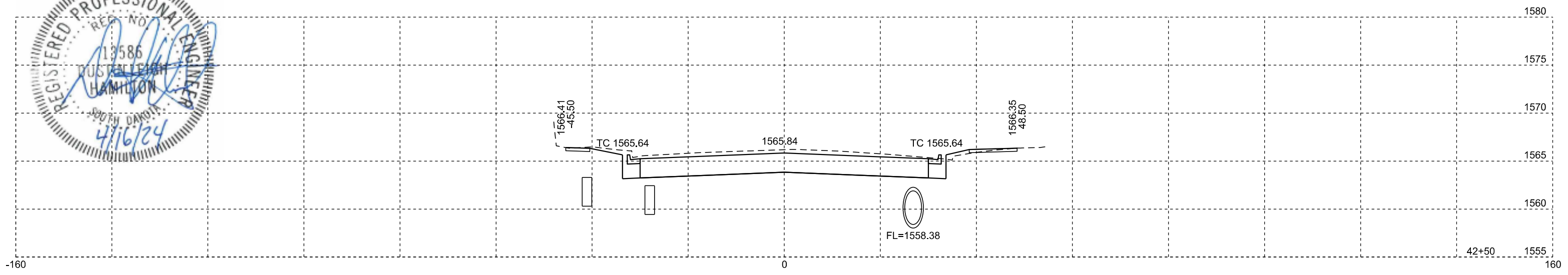
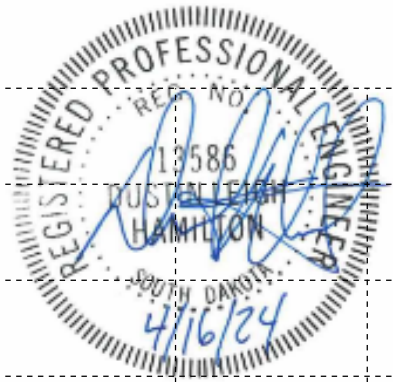
STATE OF SOUTH DAKOTA	PROJECT	SHEET	TOTAL SHEETS
	NH 0014(185)229	X34	X81



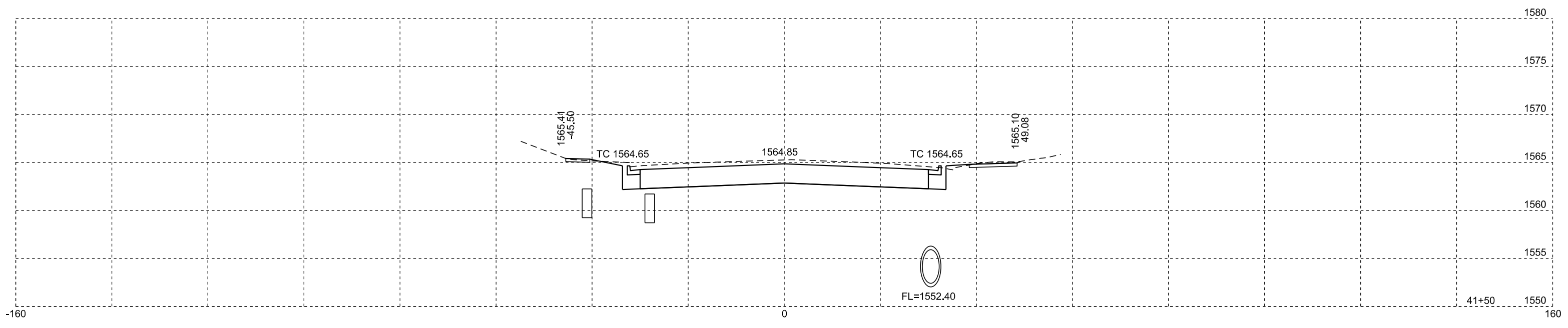
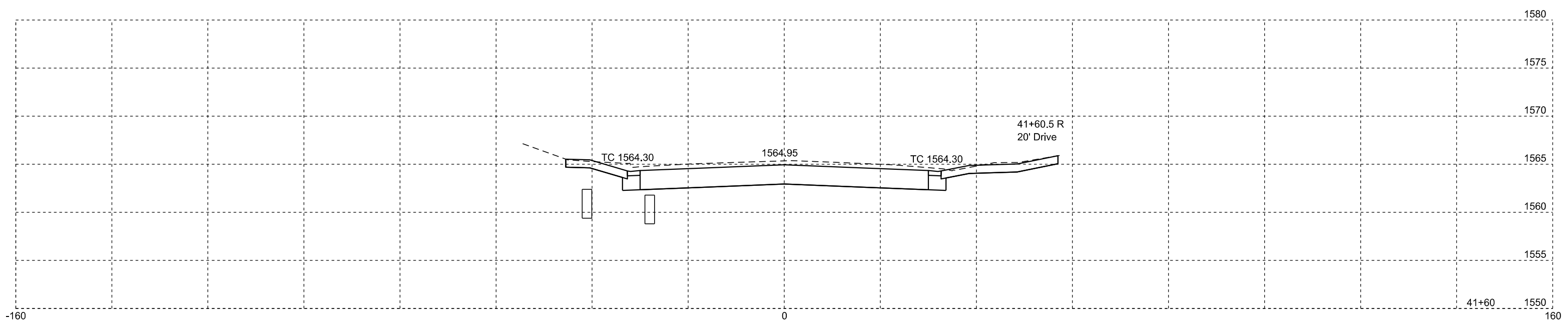
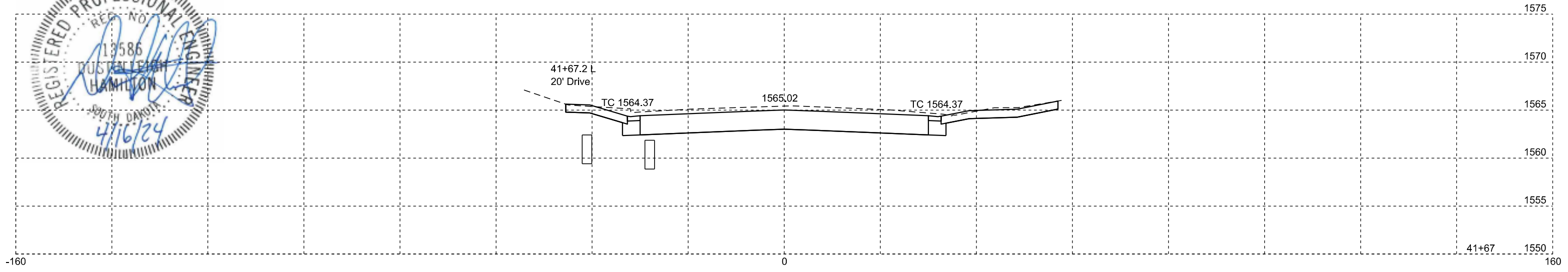
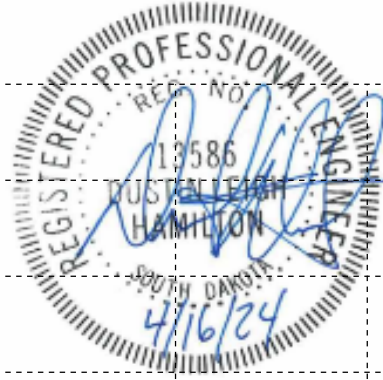
STATE OF SOUTH DAKOTA	PROJECT	SHEET	TOTAL SHEETS
	NH 0014(185)229	X35	X81



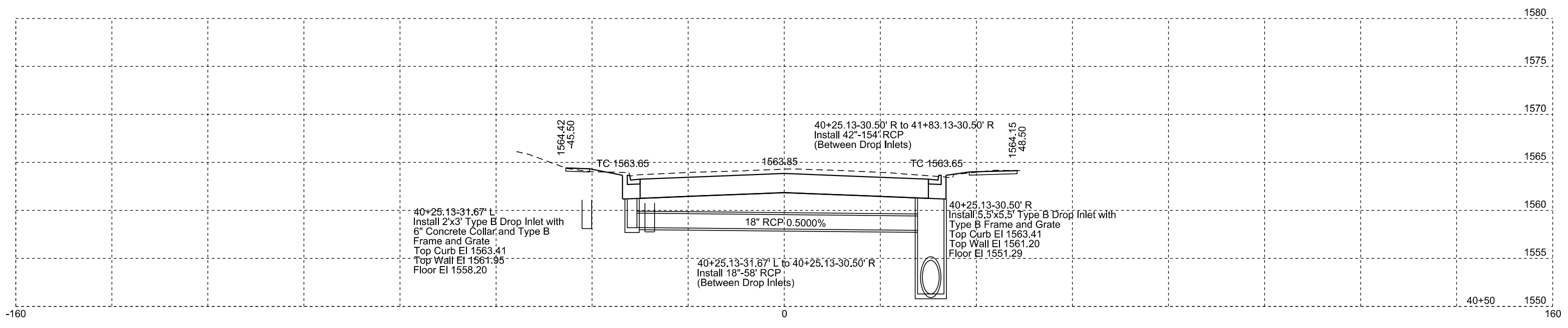
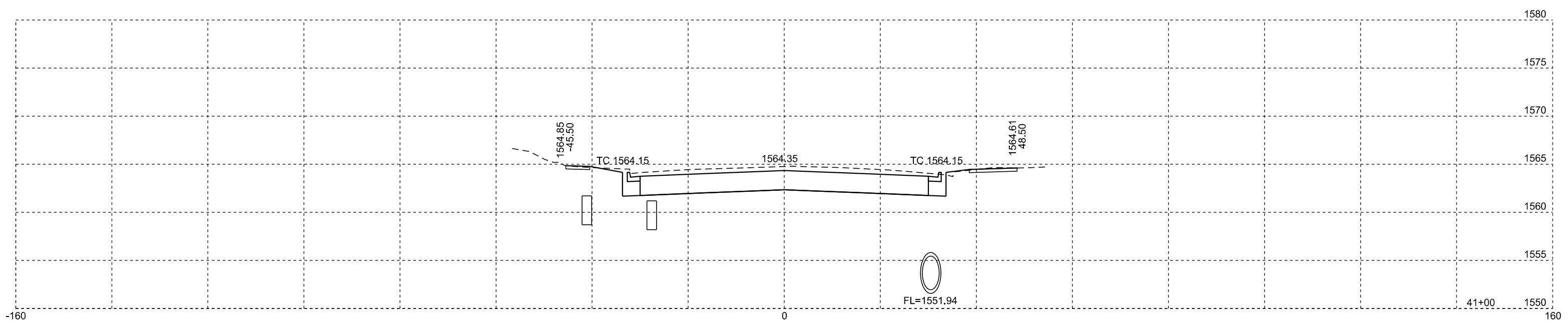
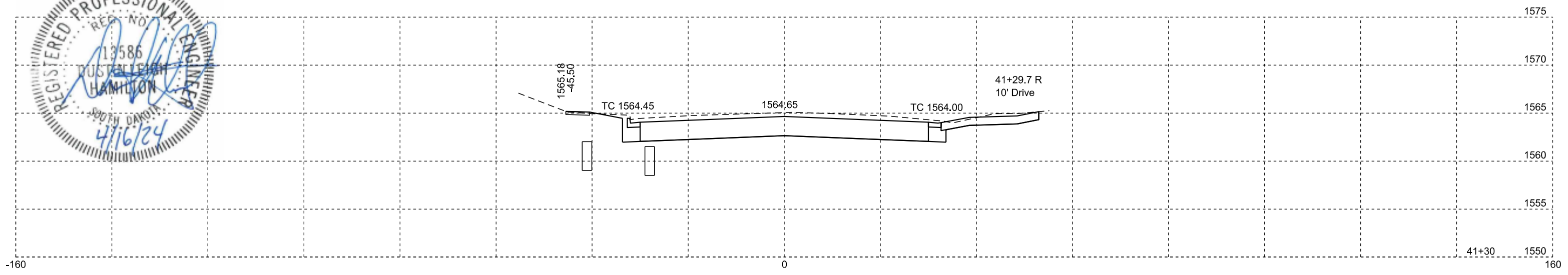
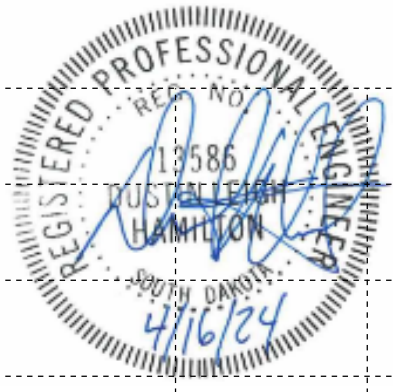
STATE OF SOUTH DAKOTA	PROJECT	SHEET	TOTAL SHEETS
	NH 0014(185)229	X36	X81



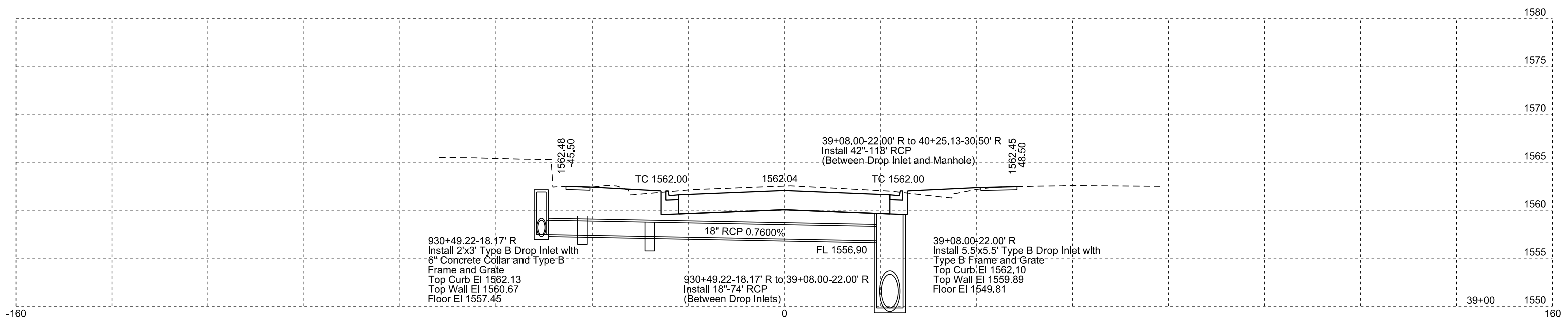
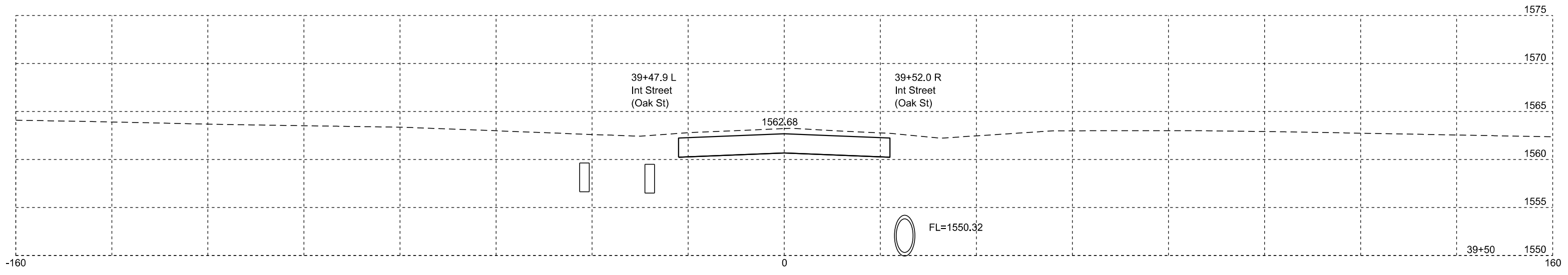
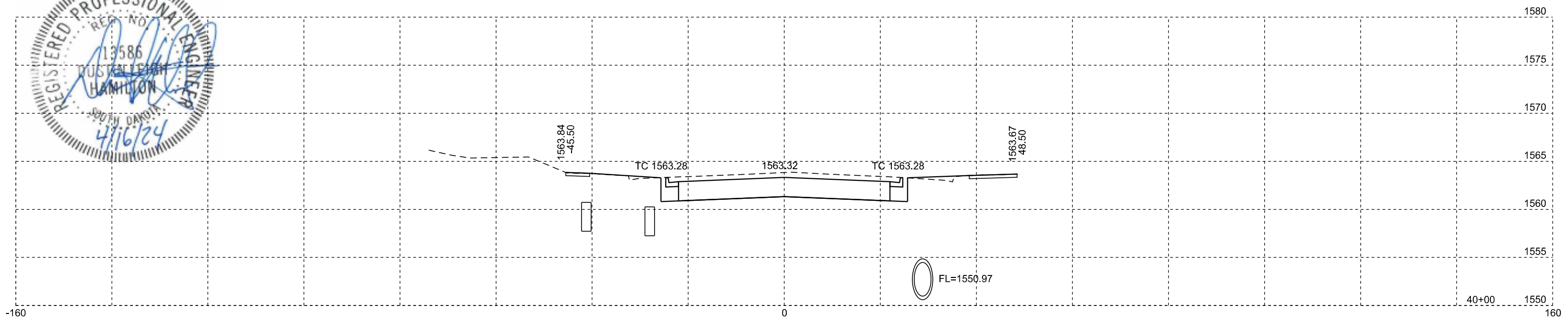
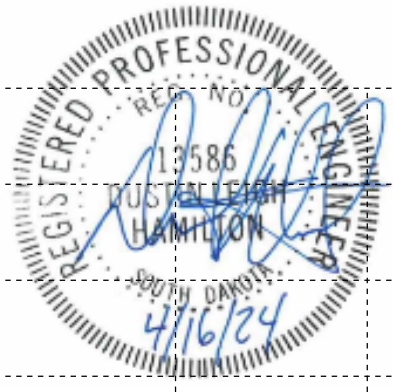
STATE OF SOUTH DAKOTA	PROJECT	SHEET	TOTAL SHEETS
	NH 0014(185)229	X37	X81



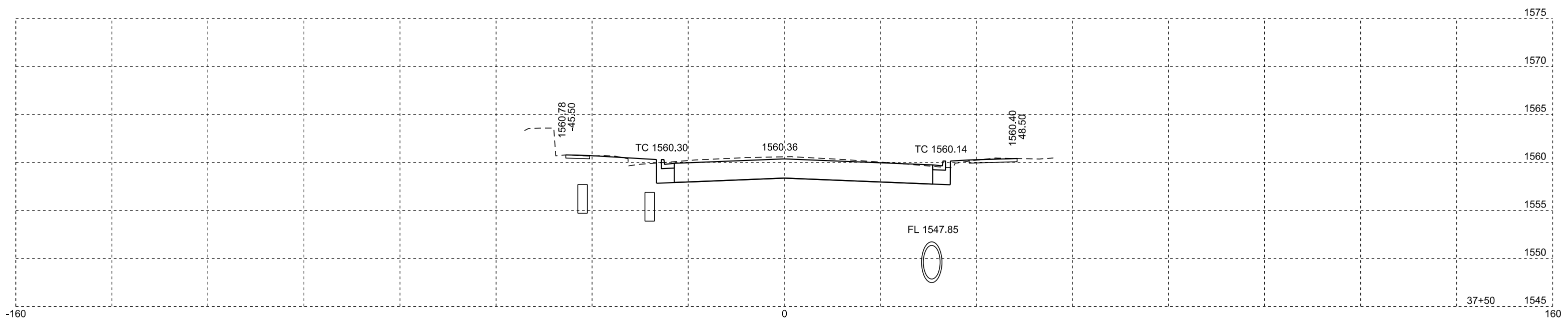
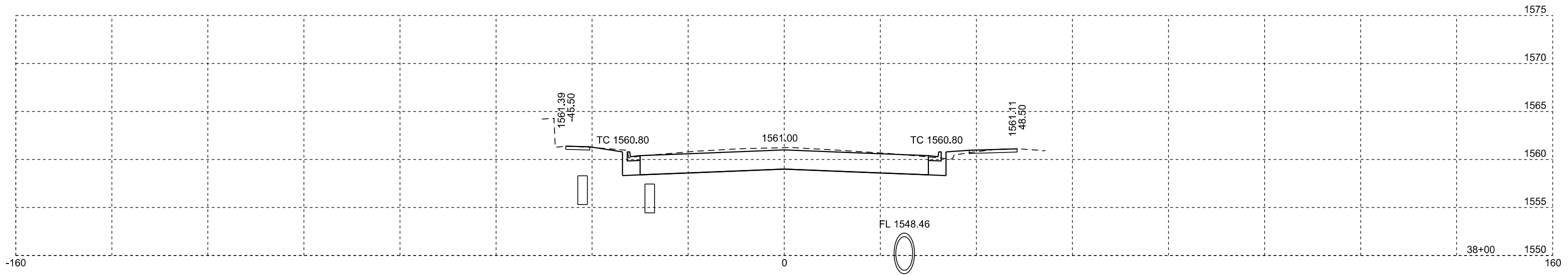
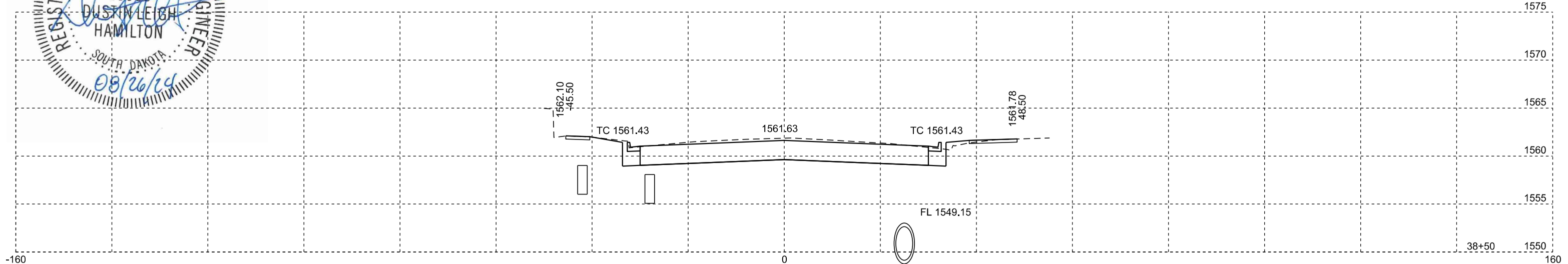
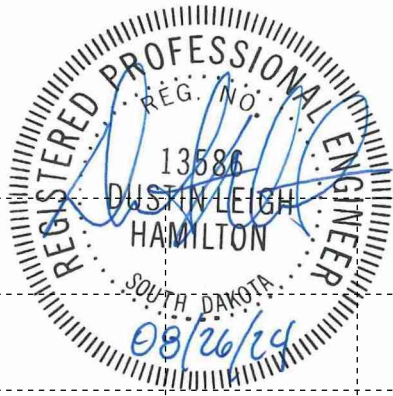
STATE OF SOUTH DAKOTA	PROJECT	SHEET	TOTAL SHEETS
	NH 0014(185)229	X38	X81



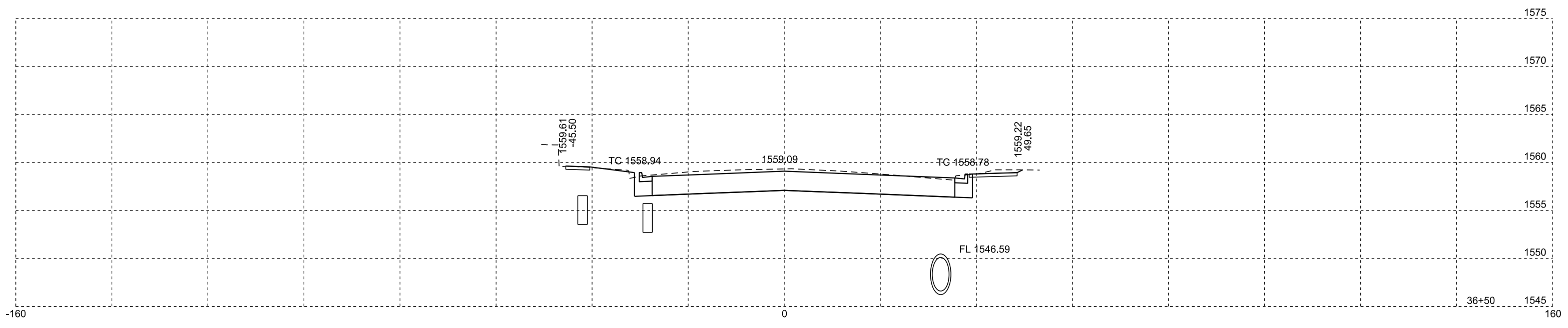
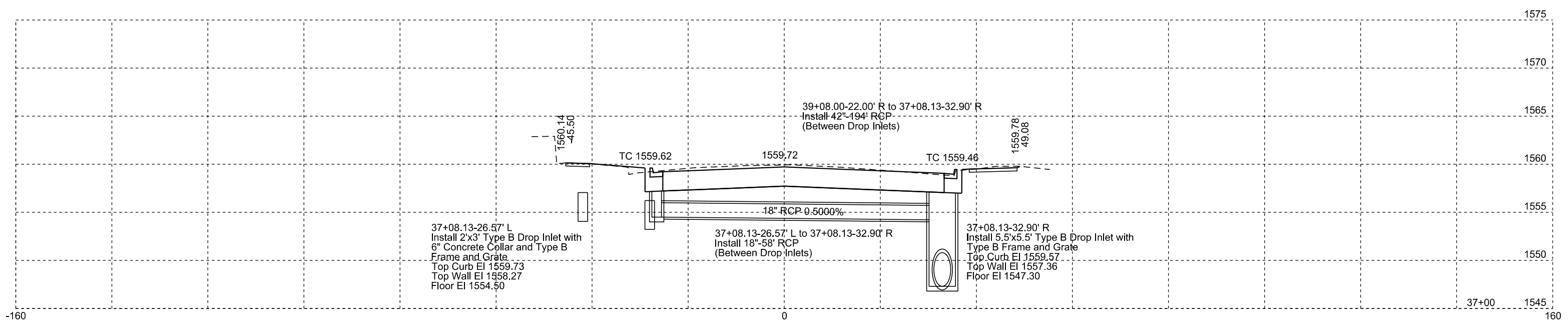
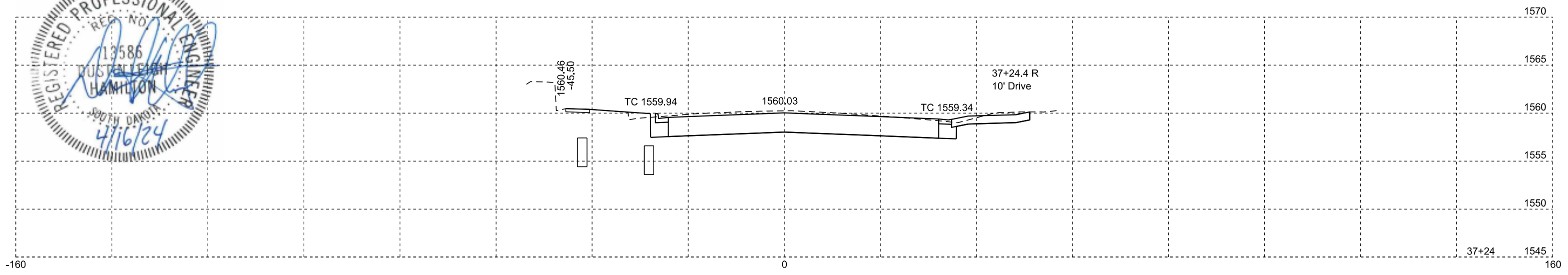
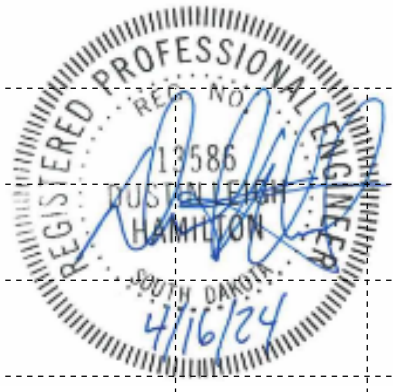
STATE OF SOUTH DAKOTA	PROJECT	SHEET	TOTAL SHEETS
	NH 0014(185)229	X39	X81



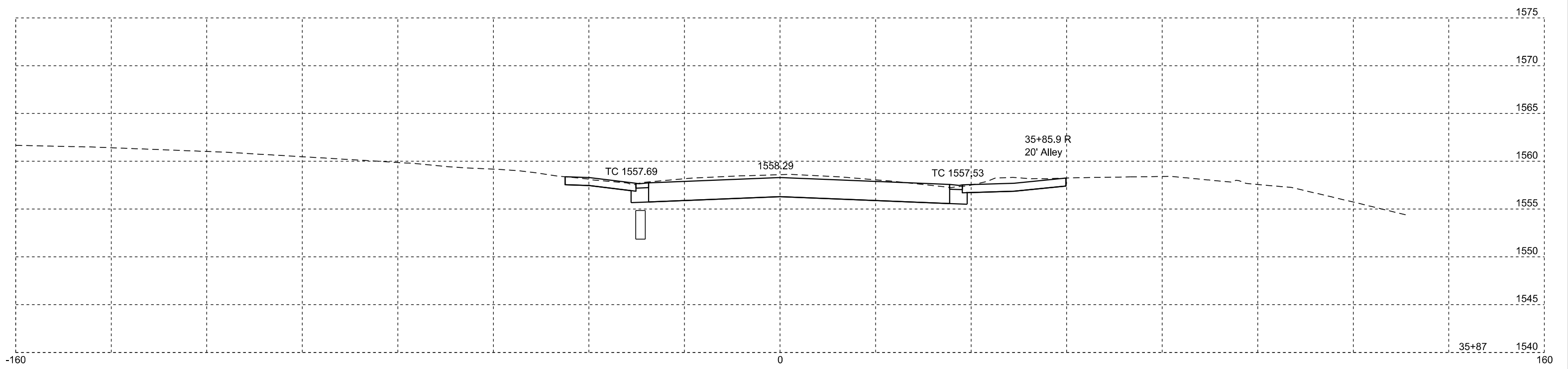
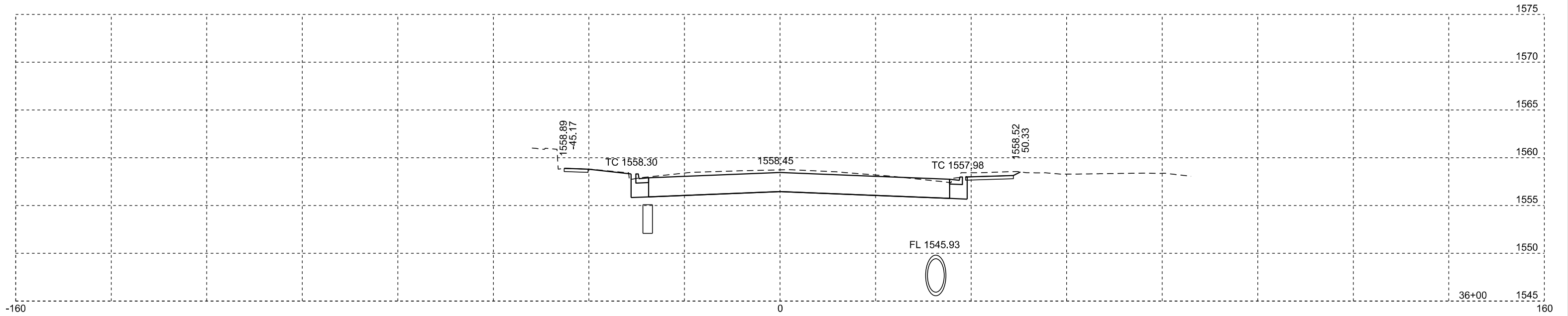
STATE OF SOUTH DAKOTA	PROJECT	SHEET	TOTAL SHEETS
	NH 0014(185)229	X40	X81



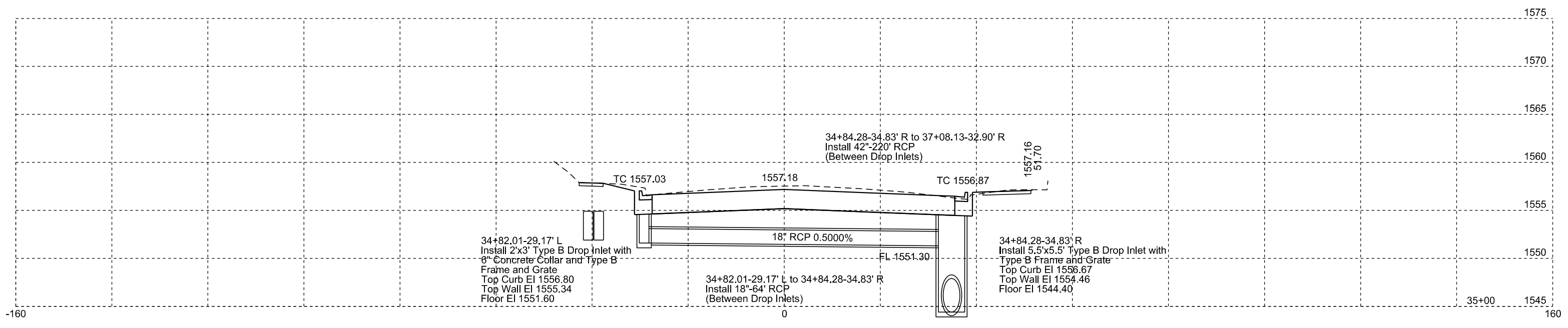
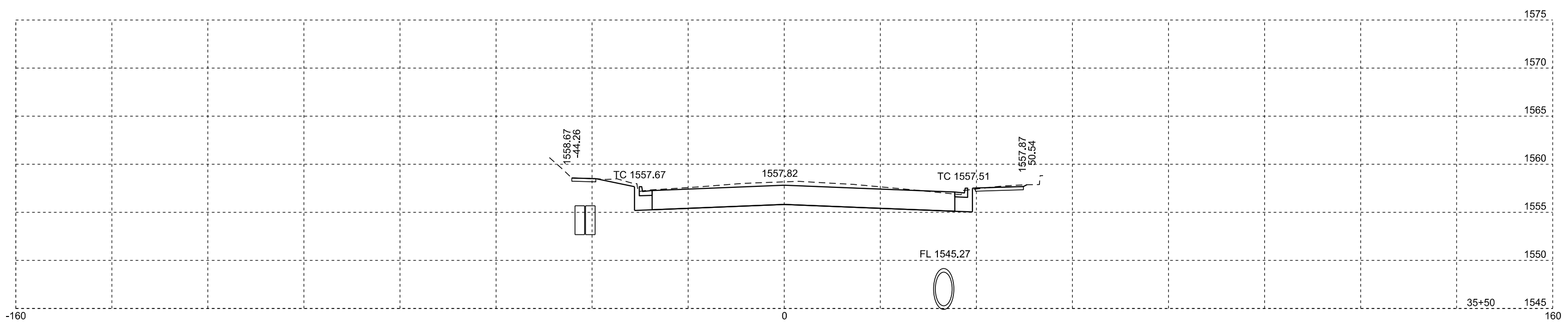
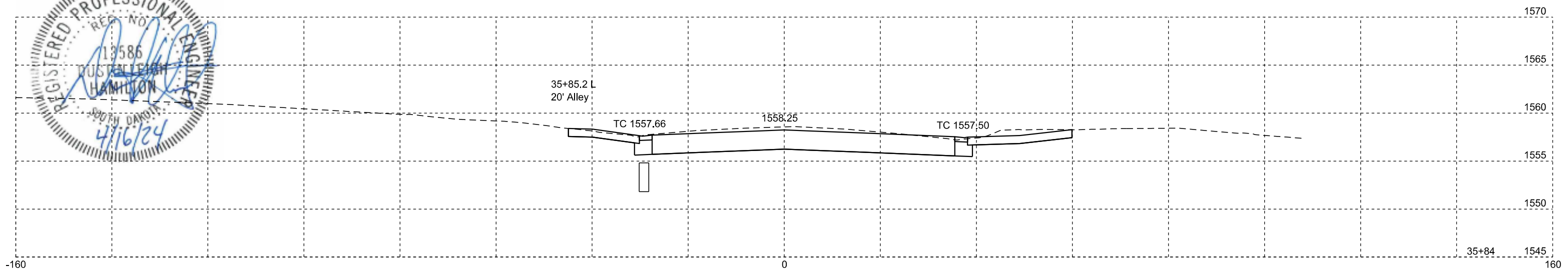
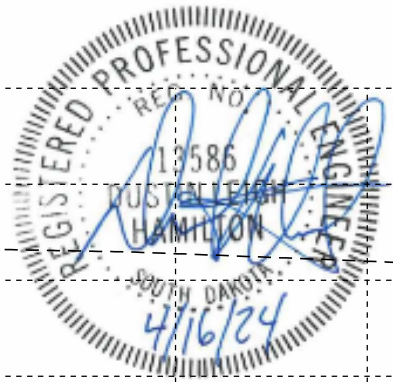
STATE OF SOUTH DAKOTA	PROJECT	SHEET	TOTAL SHEETS
	NH 0014(185)229	X41	X81



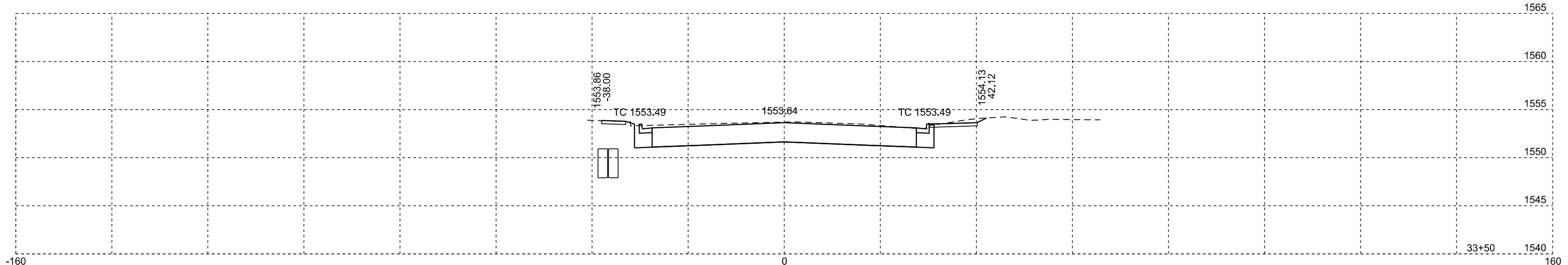
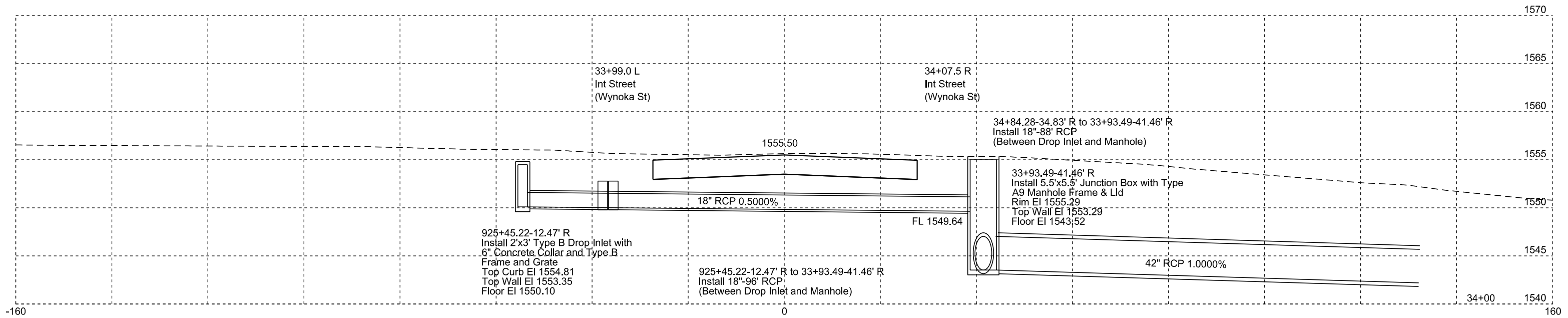
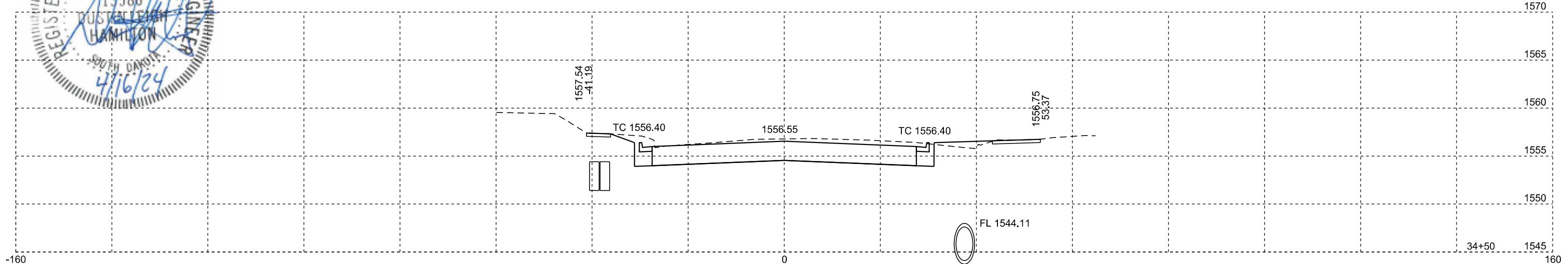
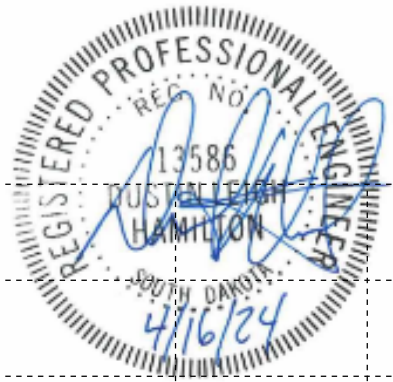
STATE OF SOUTH DAKOTA	PROJECT	SHEET	TOTAL SHEETS
	NH 0014(185)229	X42	X81



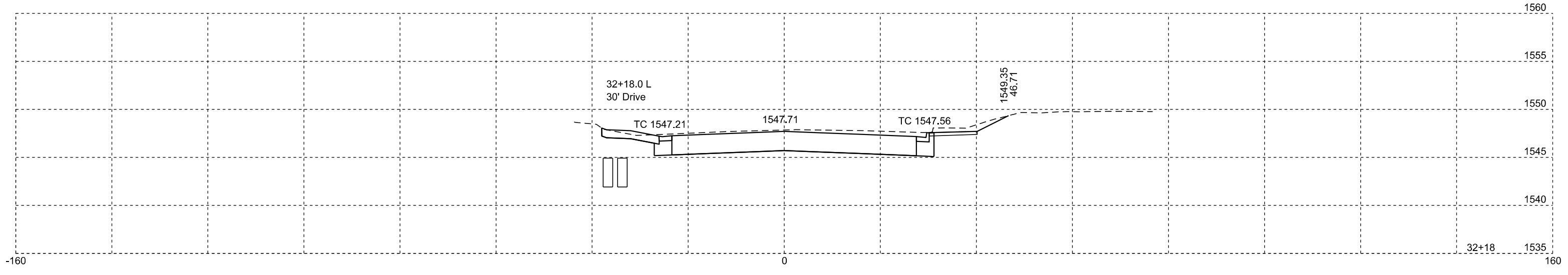
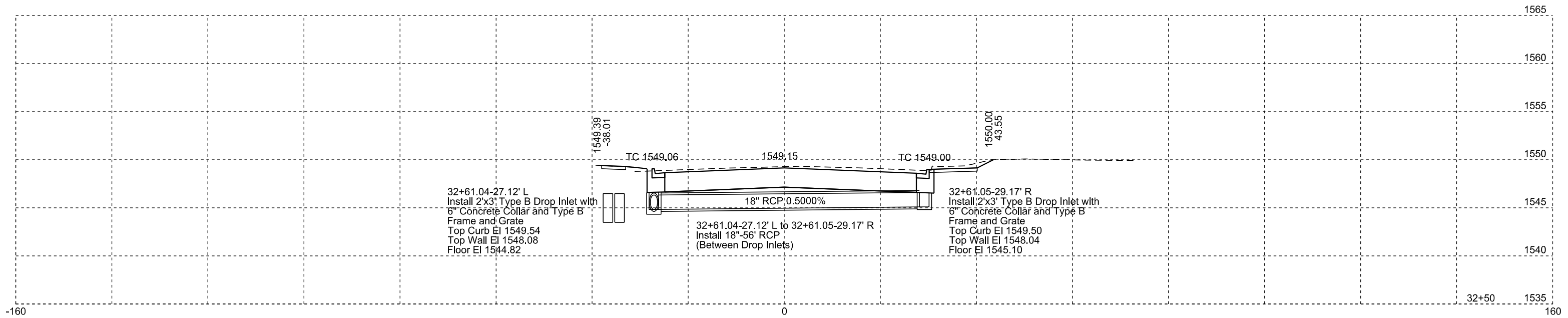
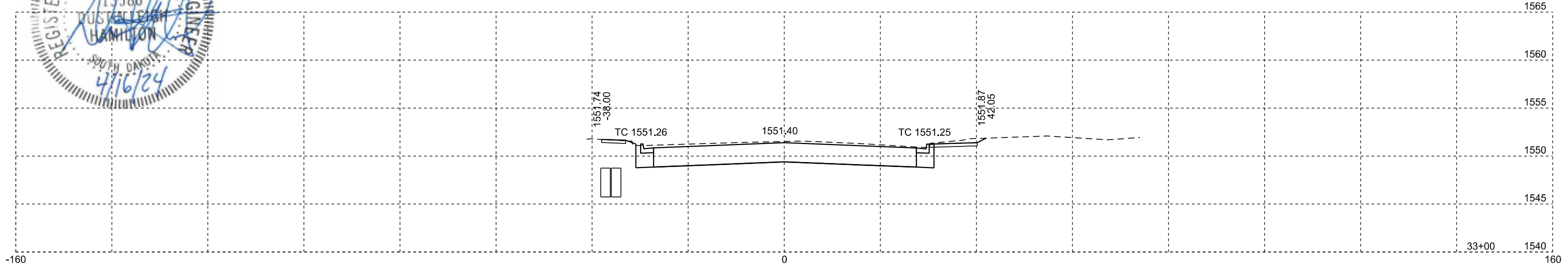
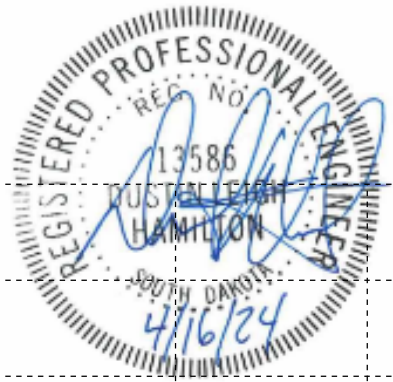
STATE OF SOUTH DAKOTA	PROJECT	SHEET	TOTAL SHEETS
	NH 0014(185)229	X43	X81



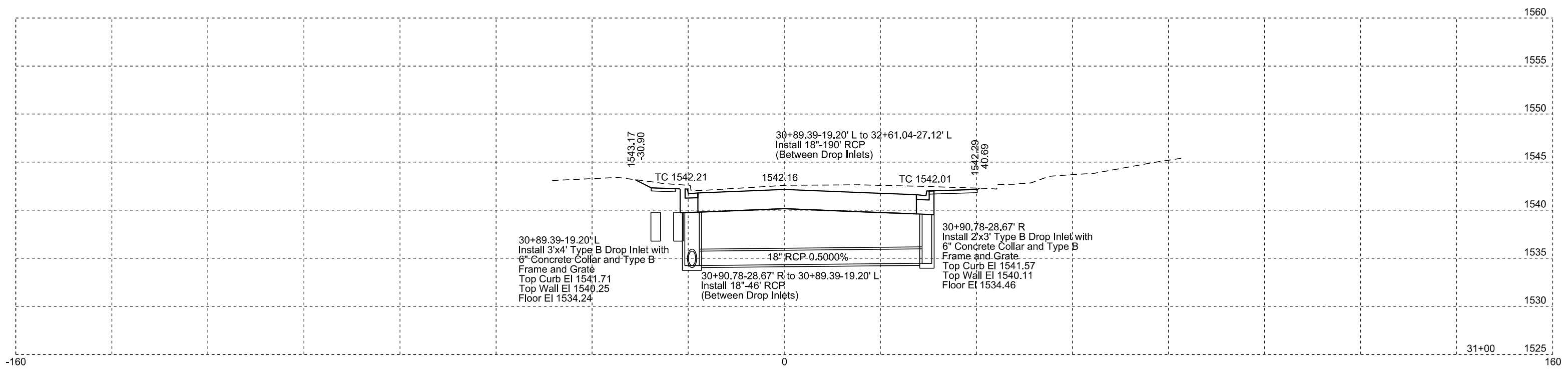
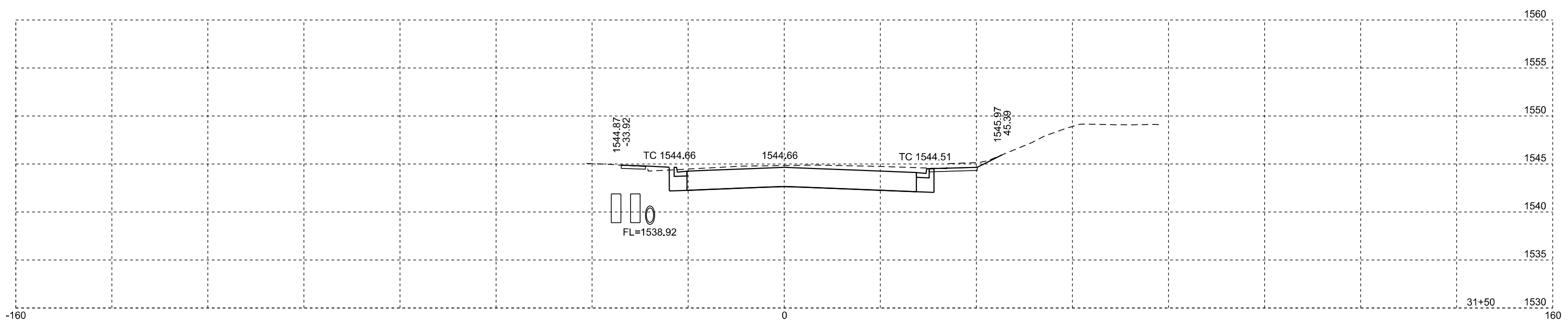
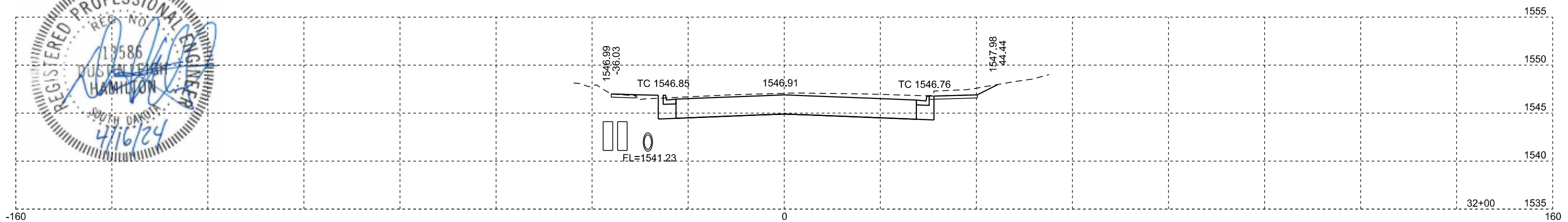
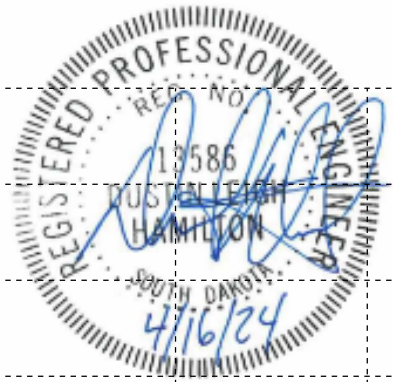
STATE OF SOUTH DAKOTA	PROJECT	SHEET	TOTAL SHEETS
	NH 0014(185)229	X44	X81



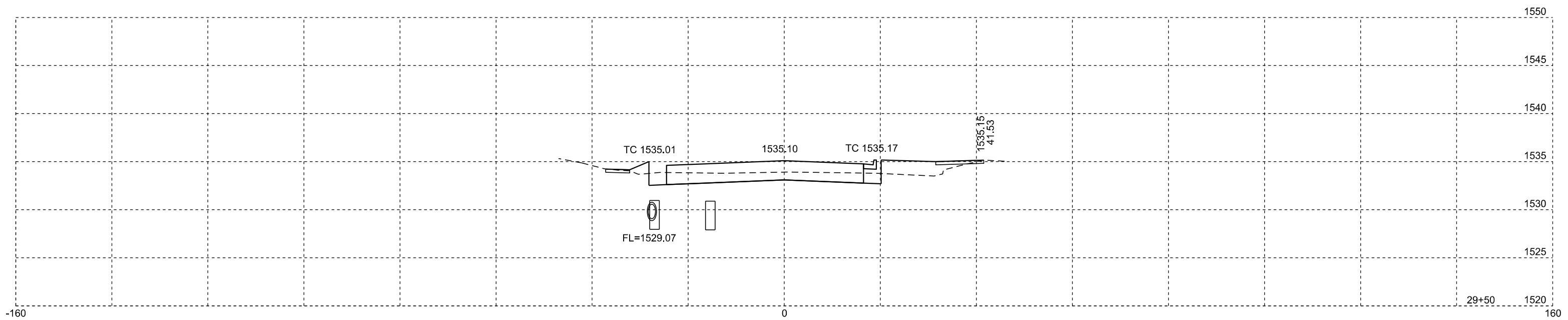
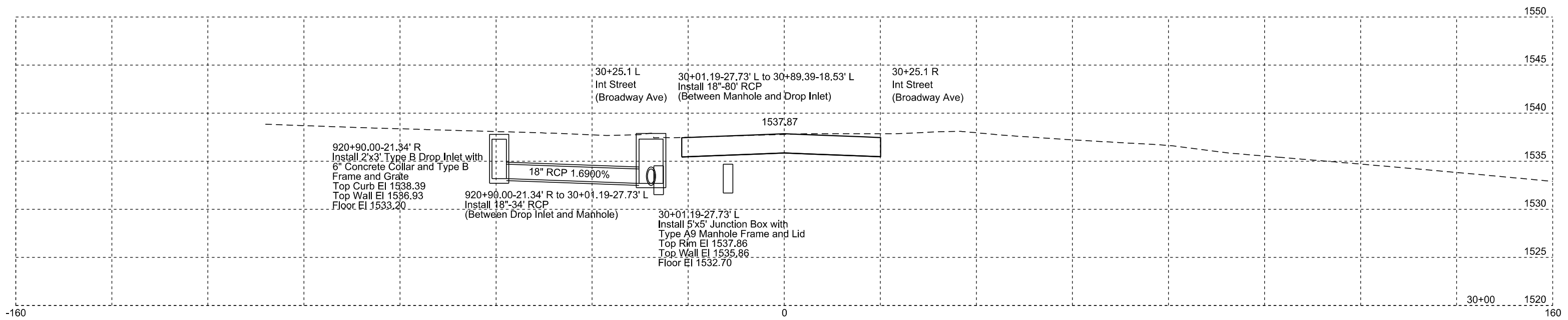
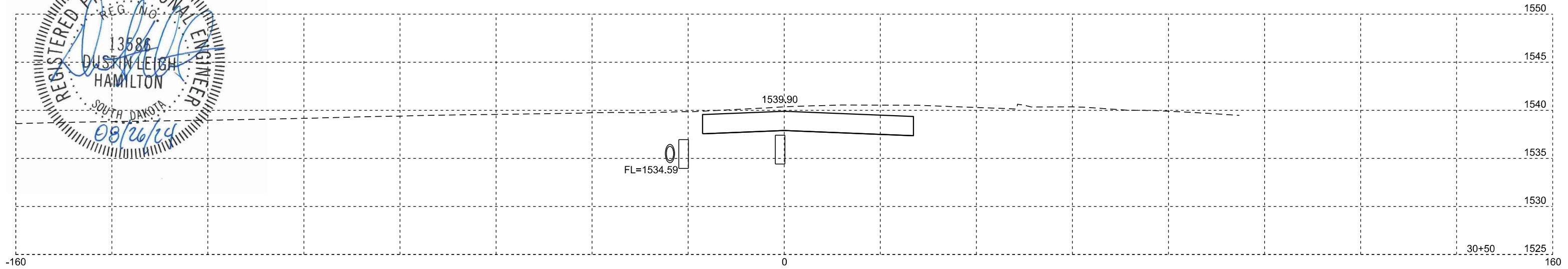
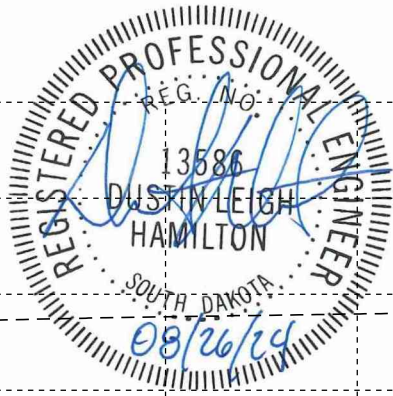
STATE OF SOUTH DAKOTA	PROJECT	SHEET	TOTAL SHEETS
	NH 0014(185)229	X45	X81



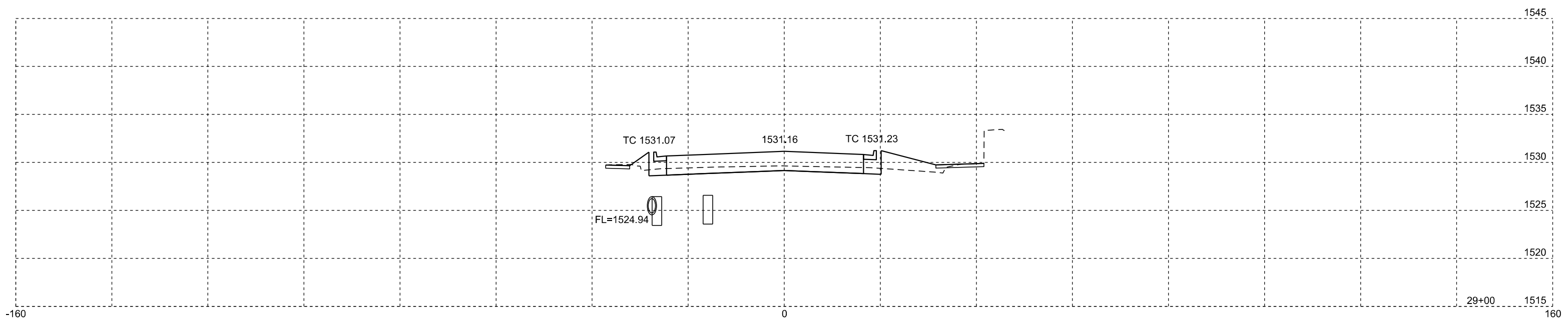
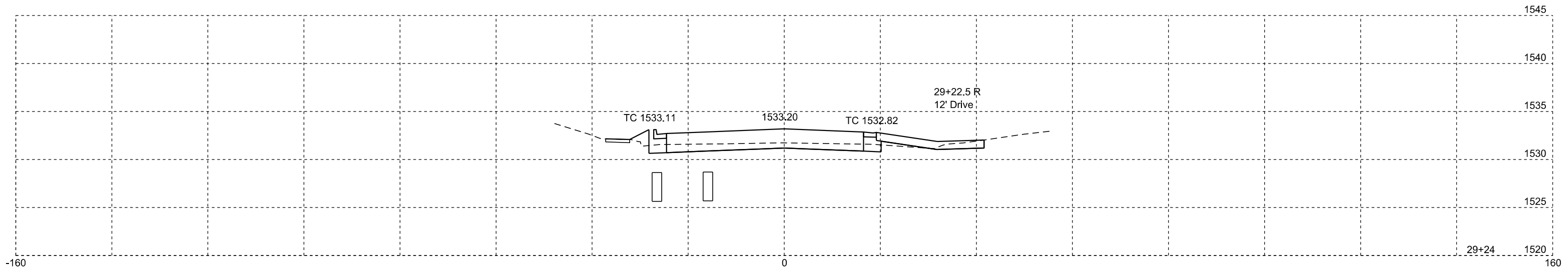
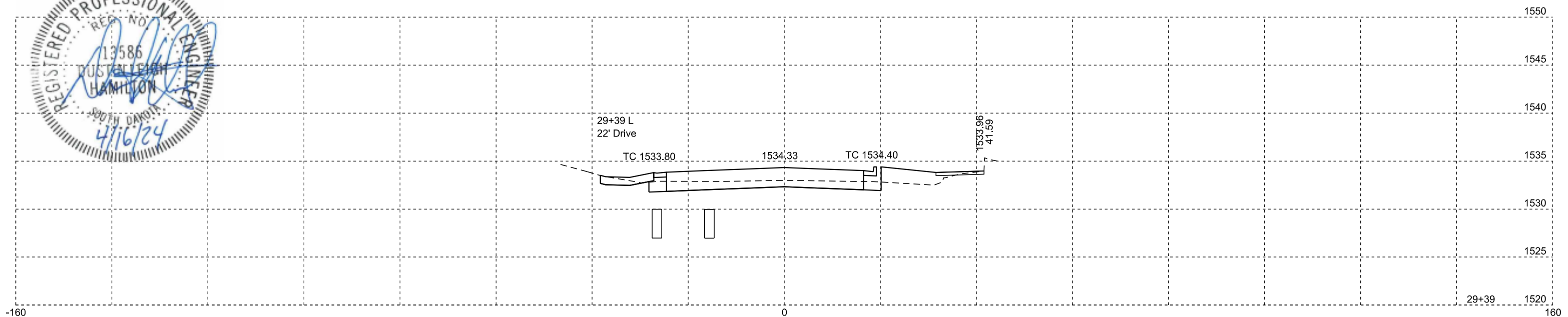
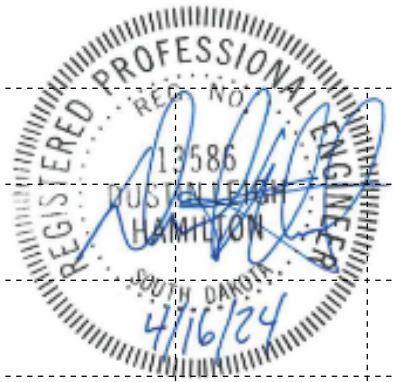
STATE OF SOUTH DAKOTA	PROJECT	SHEET	TOTAL SHEETS
	NH 0014(185)229	X46	X81



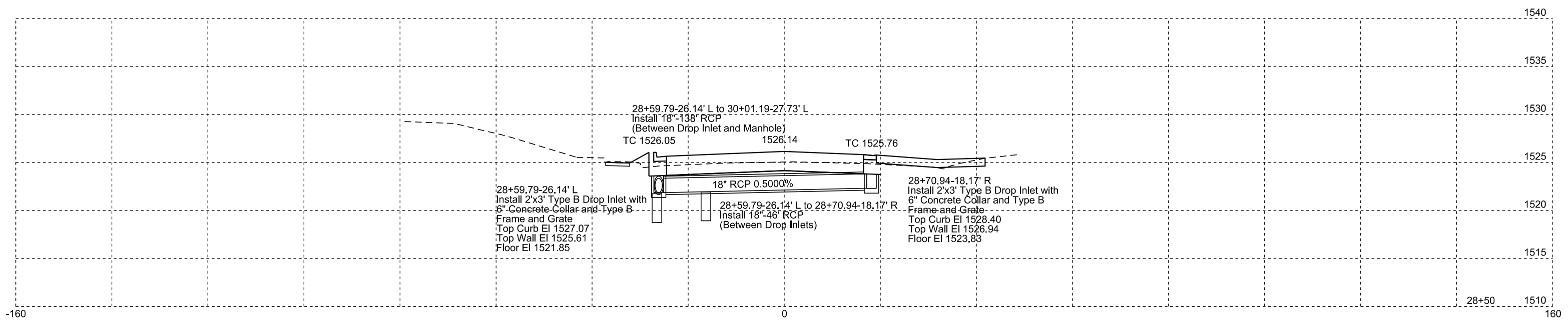
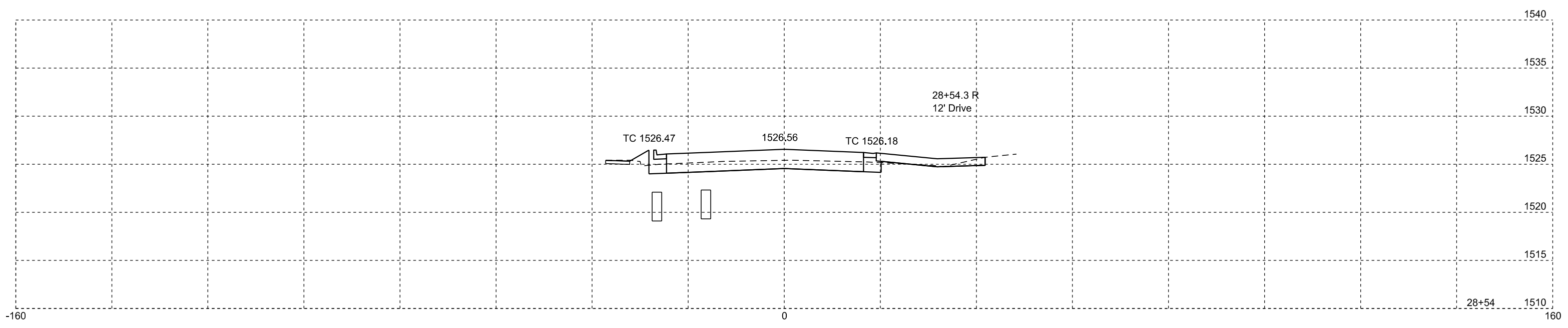
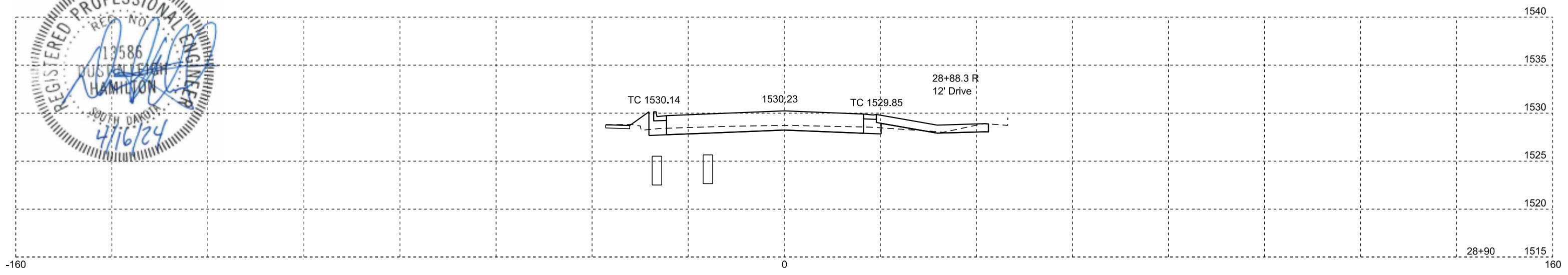
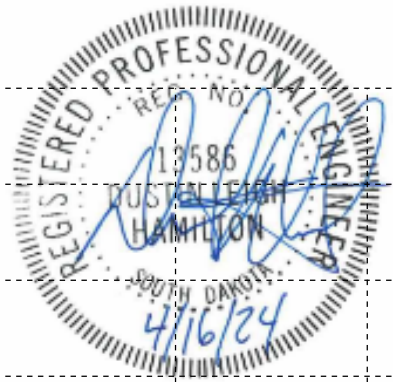
STATE OF SOUTH DAKOTA	PROJECT	SHEET	TOTAL SHEETS
	NH 0014(185)229	X47	X81



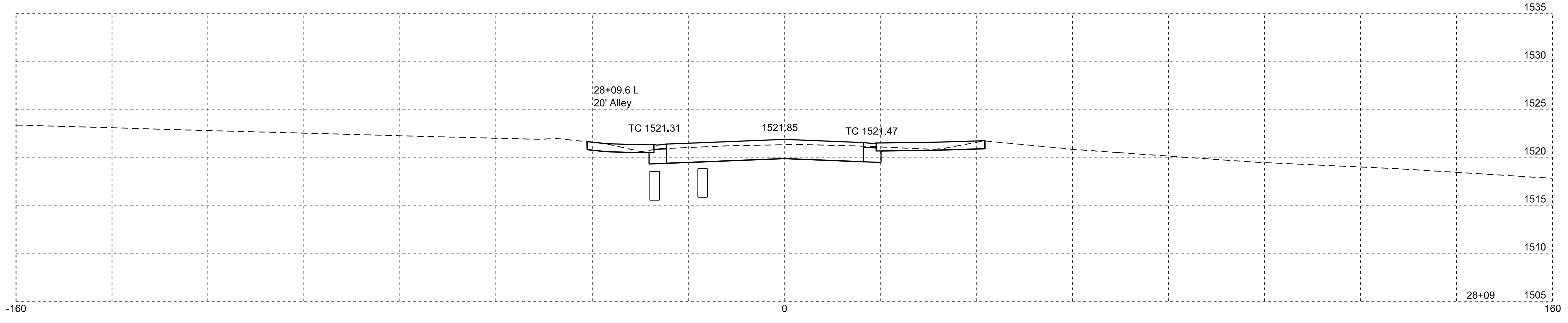
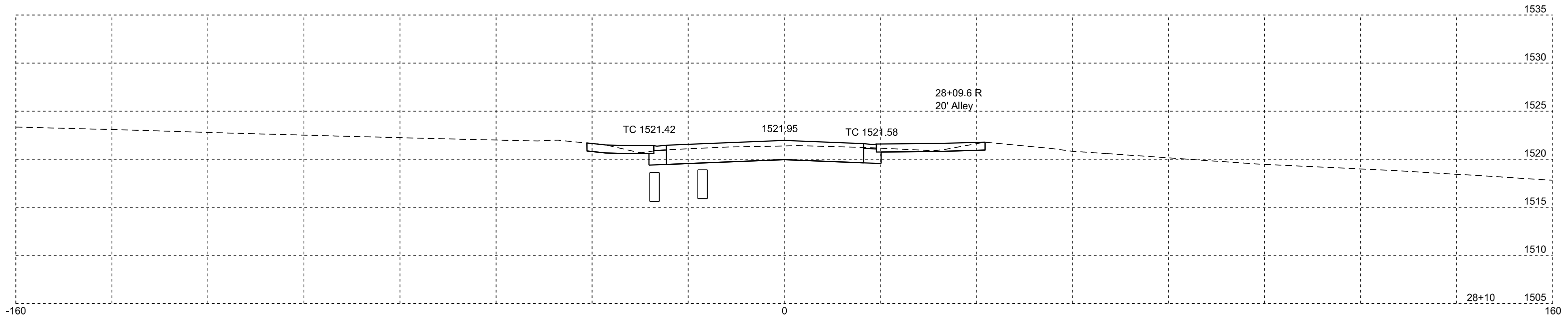
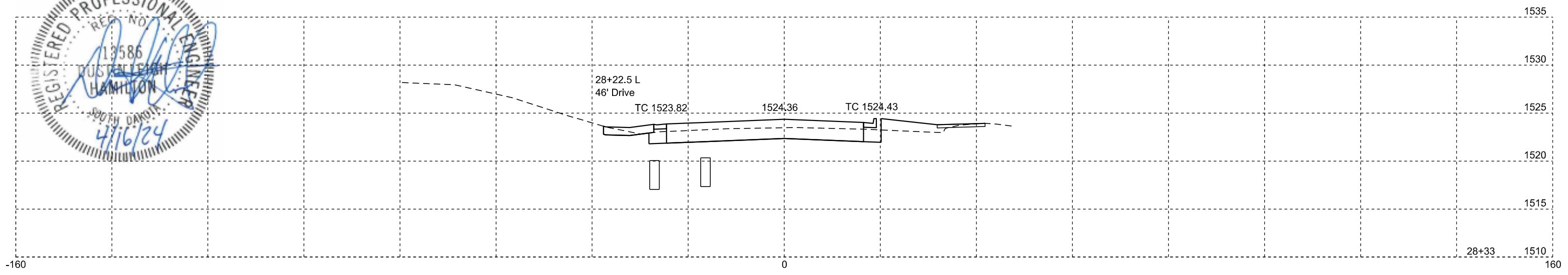
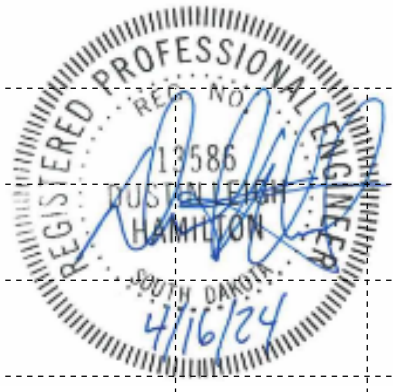
STATE OF SOUTH DAKOTA	PROJECT	SHEET	TOTAL SHEETS
	NH 0014(185)229	X48	X81



STATE OF SOUTH DAKOTA	PROJECT	SHEET	TOTAL SHEETS
	NH 0014(185)229	X49	X81

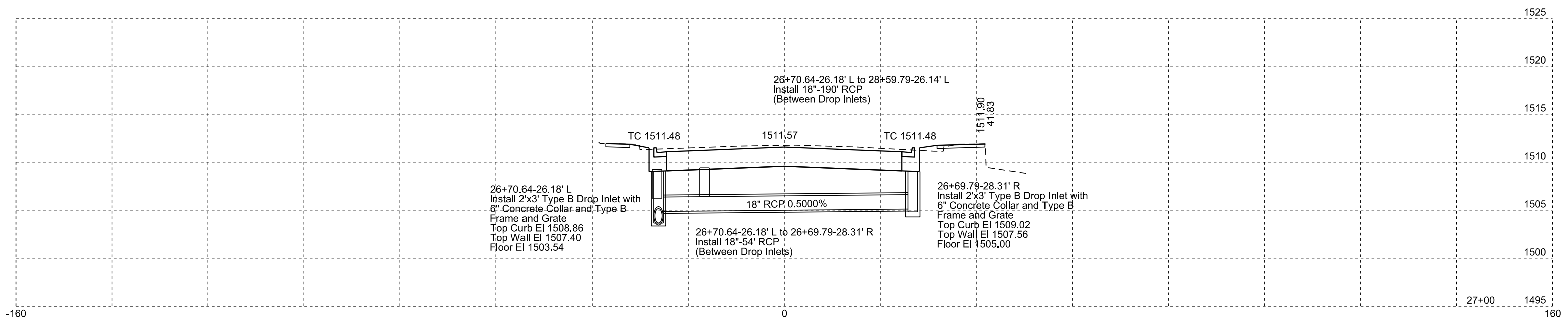
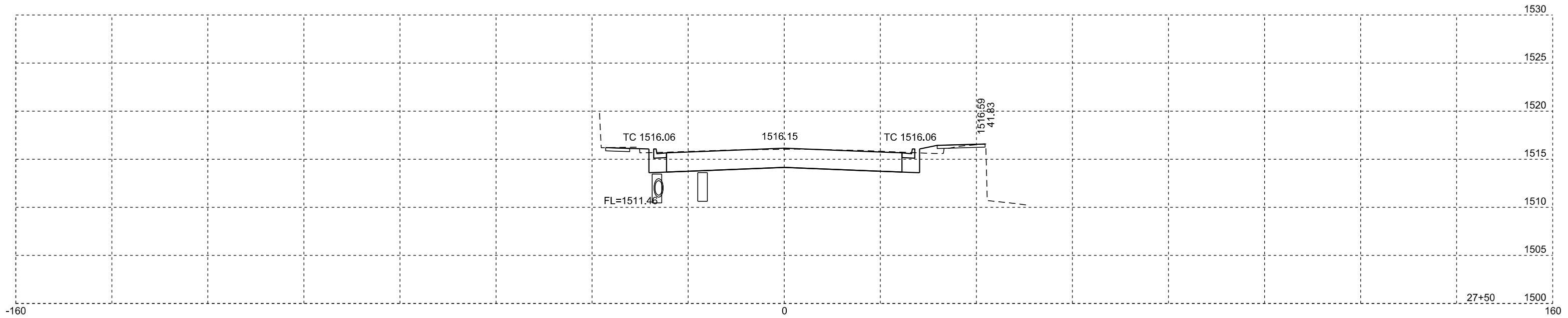
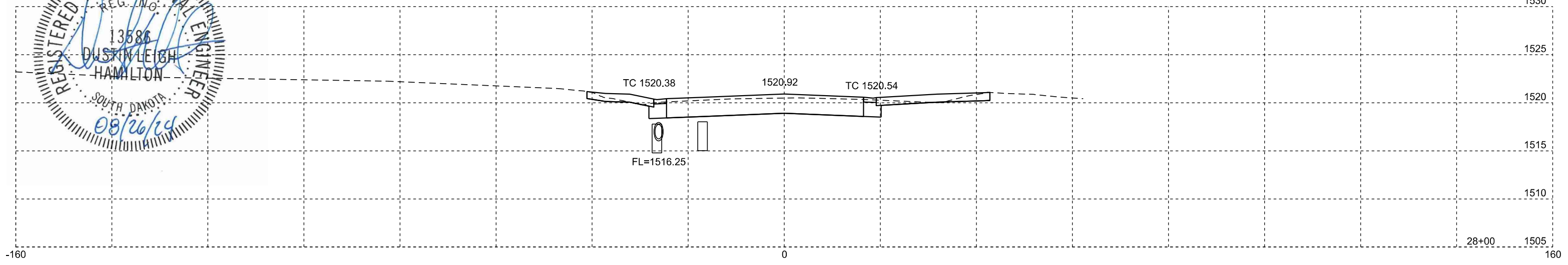
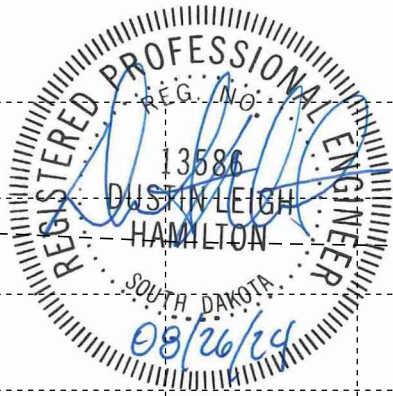


STATE OF SOUTH DAKOTA	PROJECT	SHEET	TOTAL SHEETS
	NH 0014(185)229	X50	X81

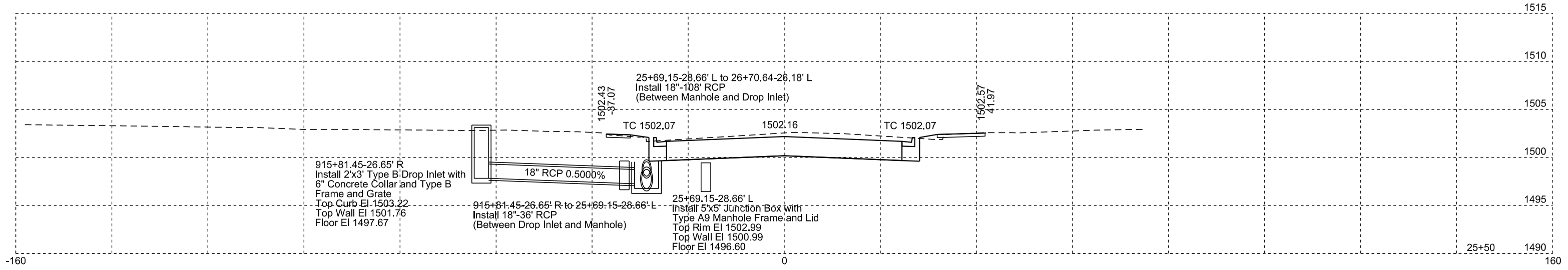
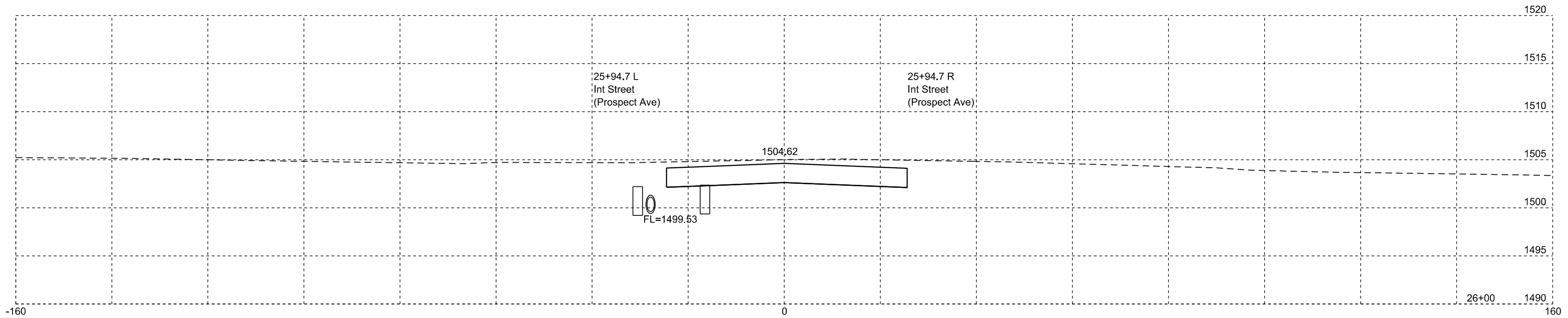
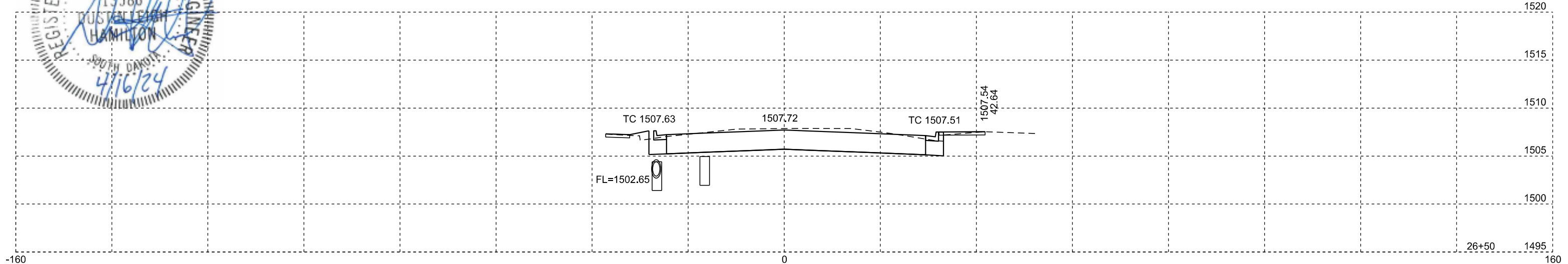
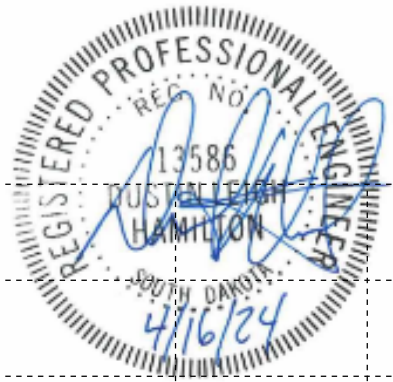


STATE OF SOUTH DAKOTA	PROJECT	SHEET	TOTAL SHEETS
	NH 0014(185)229	X51	X81

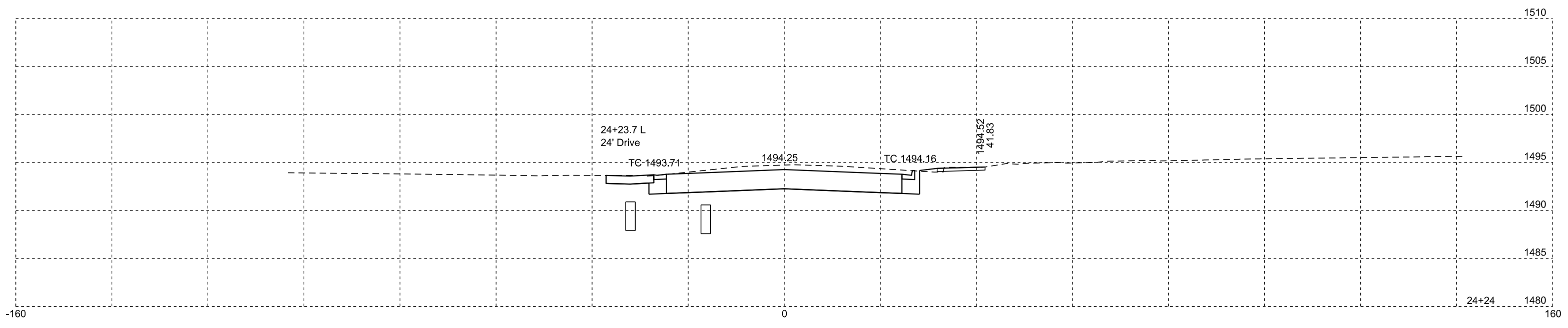
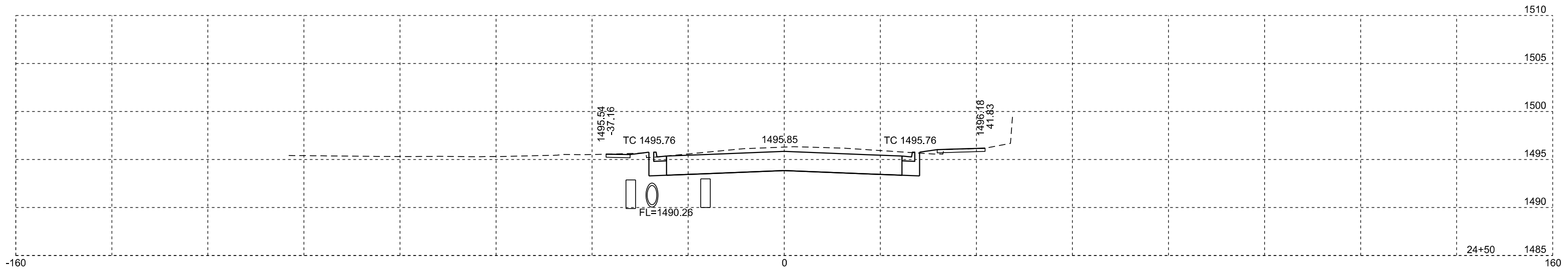
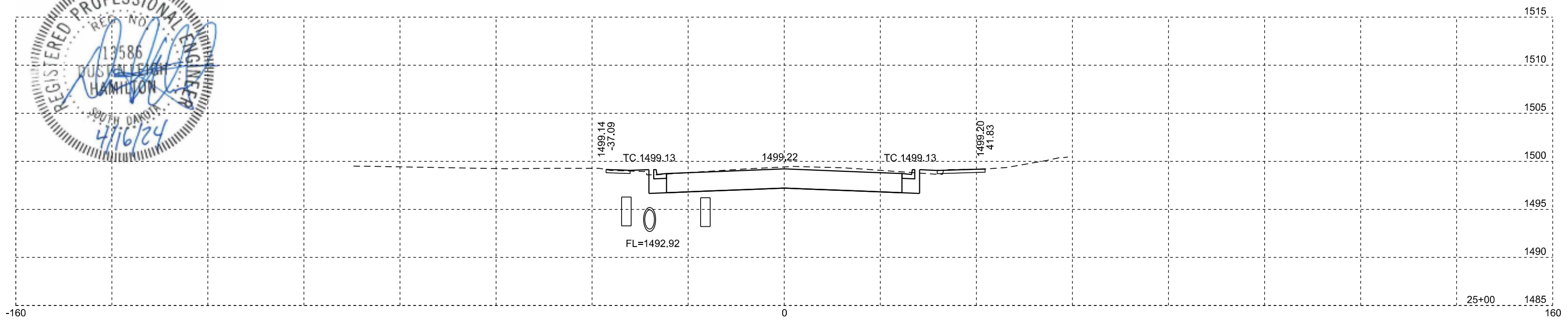
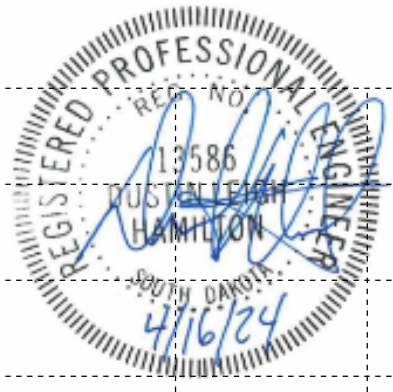
REV 04-16-24 GE
REV 08-12-24 GE
1530



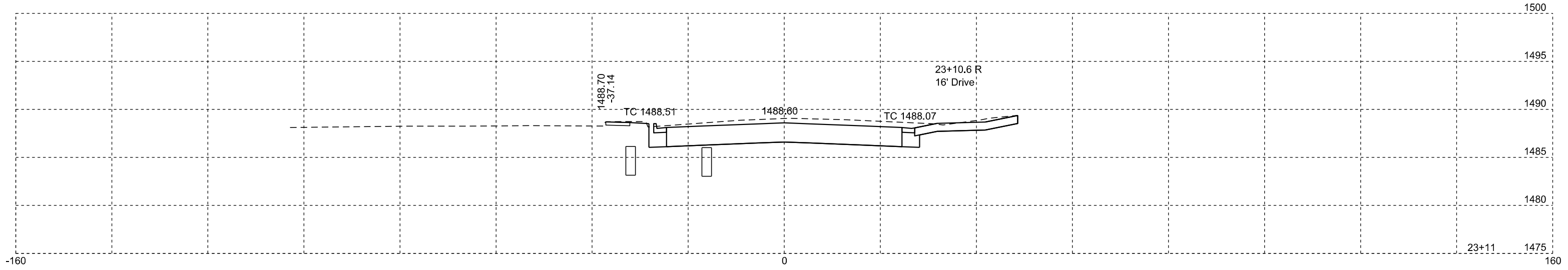
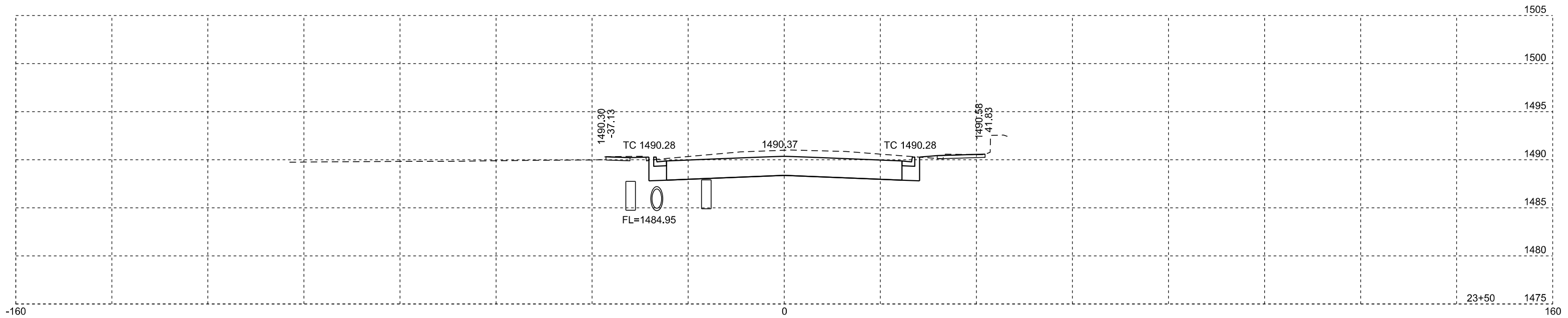
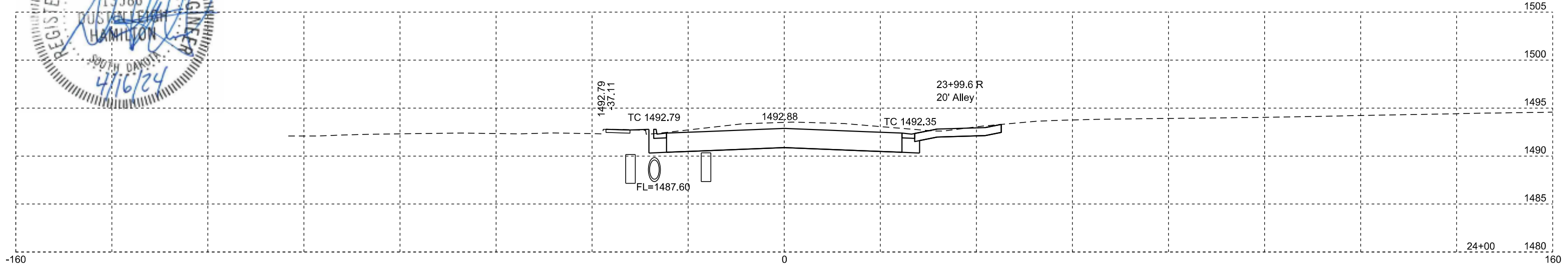
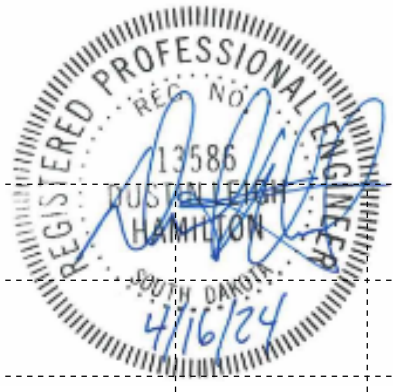
STATE OF SOUTH DAKOTA	PROJECT	SHEET	TOTAL SHEETS
	NH 0014(185)229	X52	X81



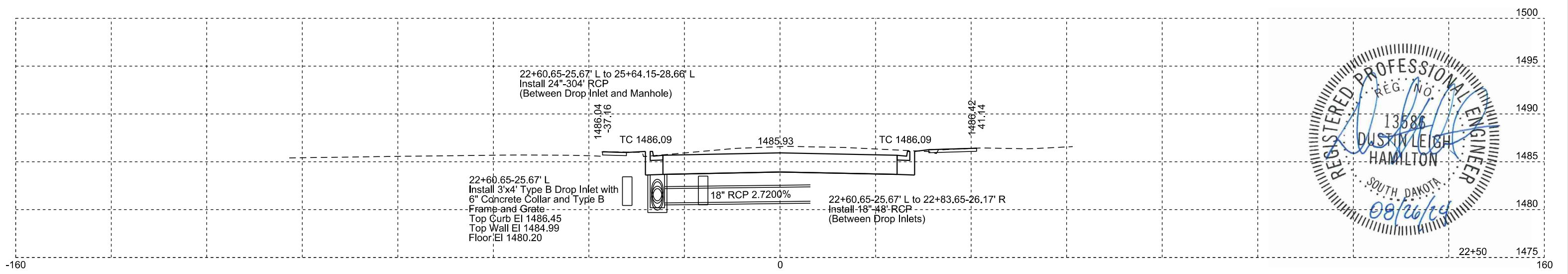
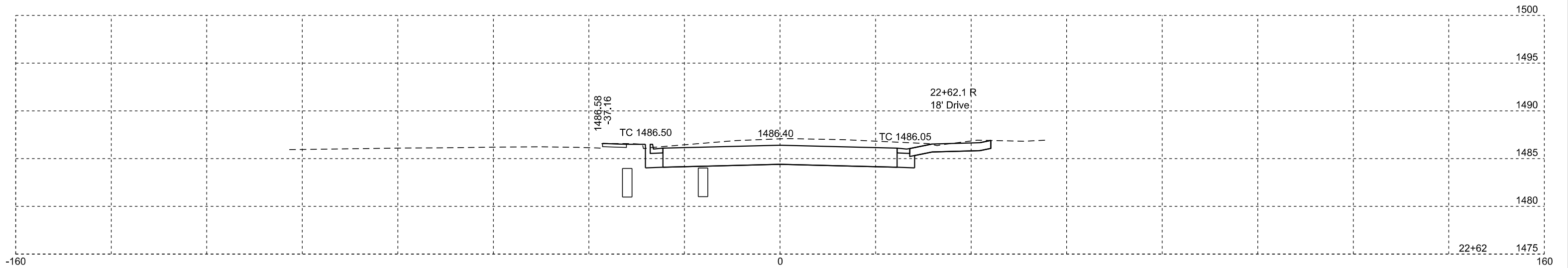
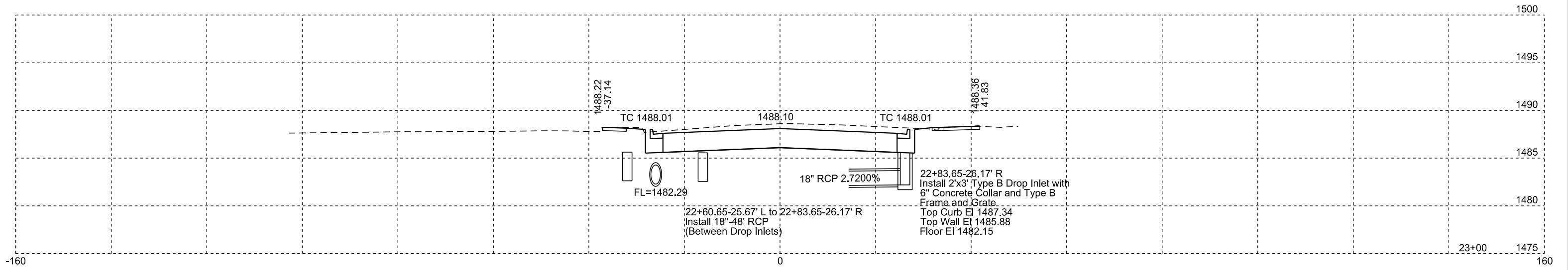
STATE OF SOUTH DAKOTA	PROJECT	SHEET	TOTAL SHEETS
	NH 0014(185)229	X53	X81



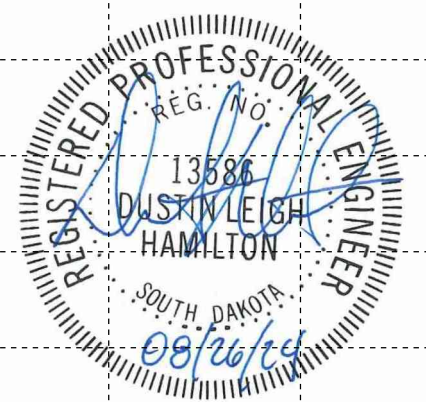
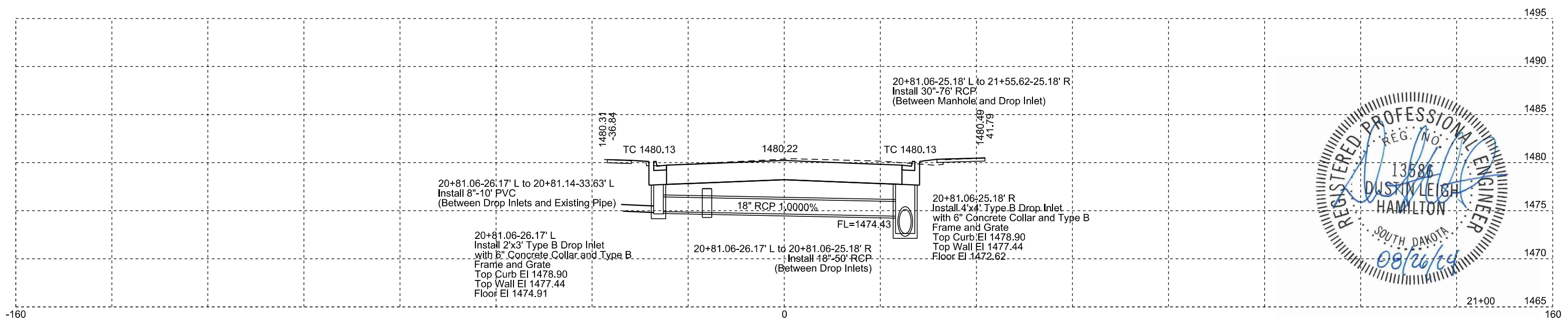
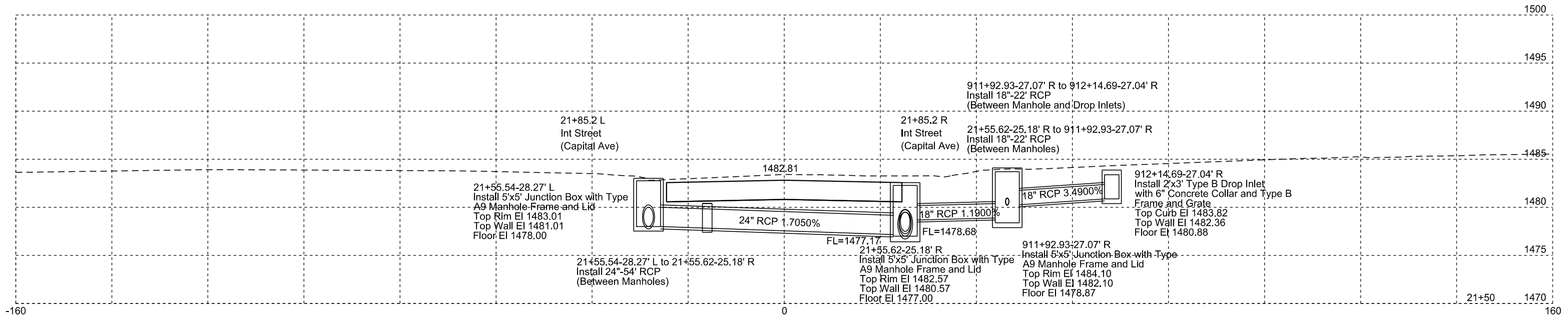
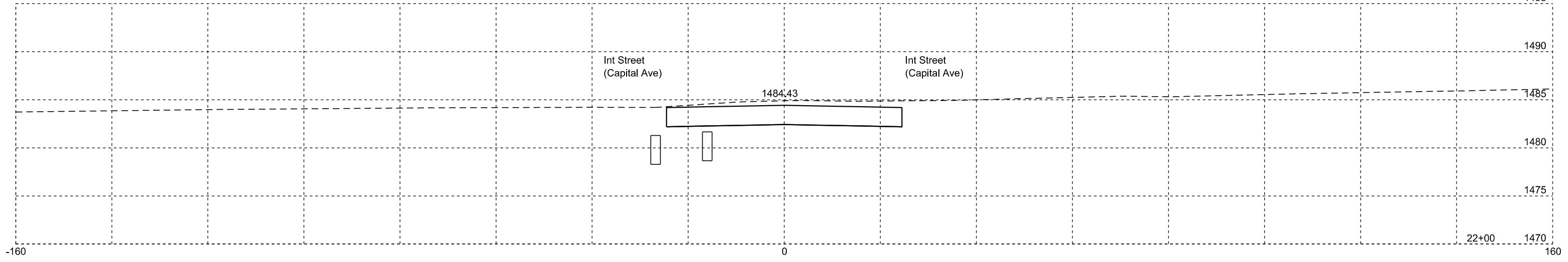
STATE OF SOUTH DAKOTA	PROJECT	SHEET	TOTAL SHEETS
	NH 0014(185)229	X54	X81



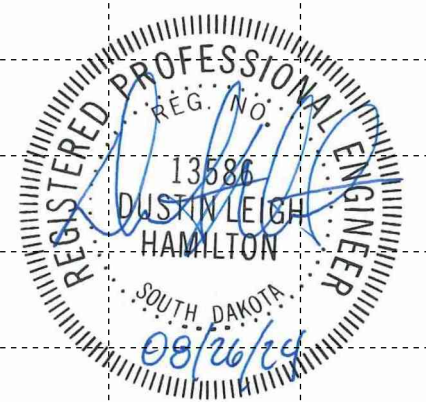
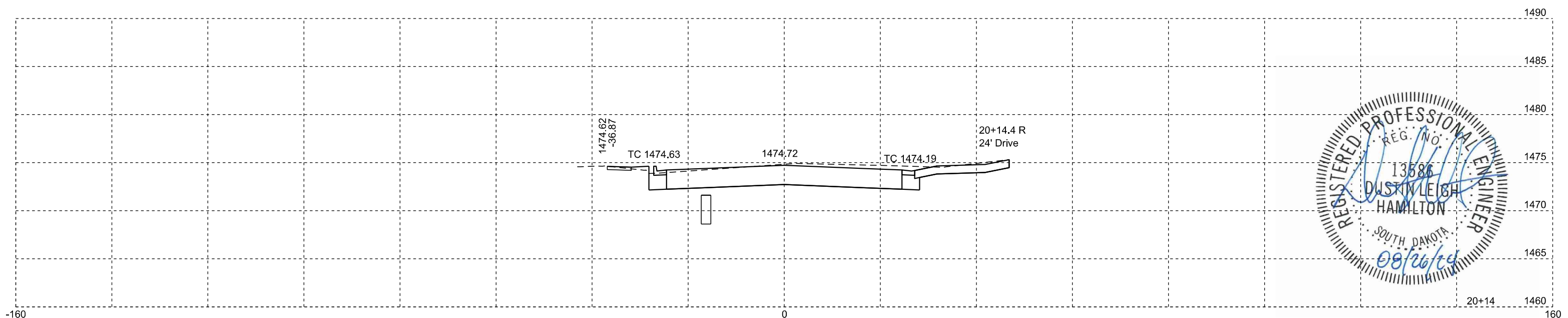
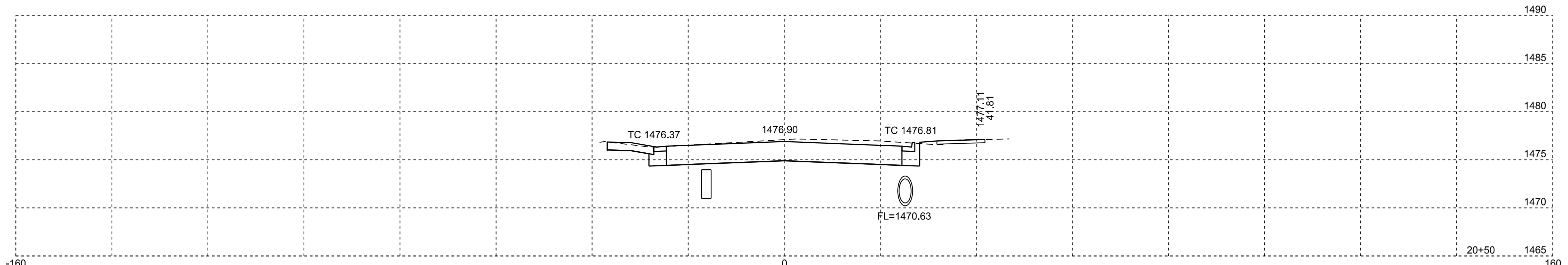
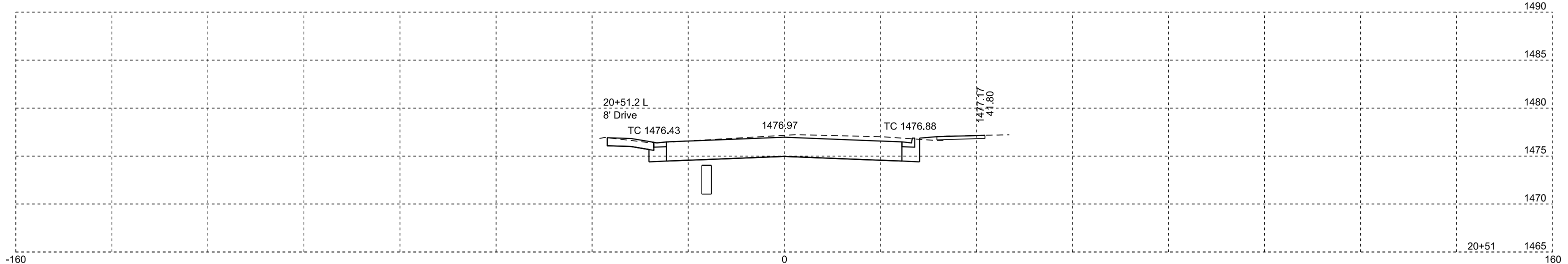
STATE OF SOUTH DAKOTA	PROJECT	SHEET	TOTAL SHEETS
	NH 0014(185)229	X55	X81



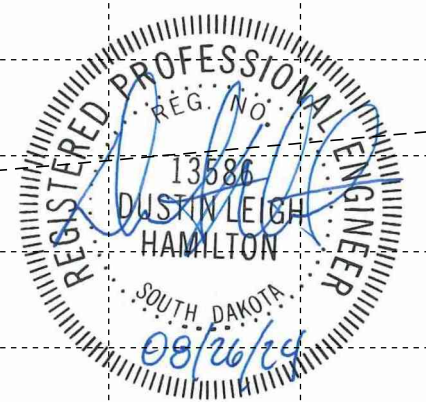
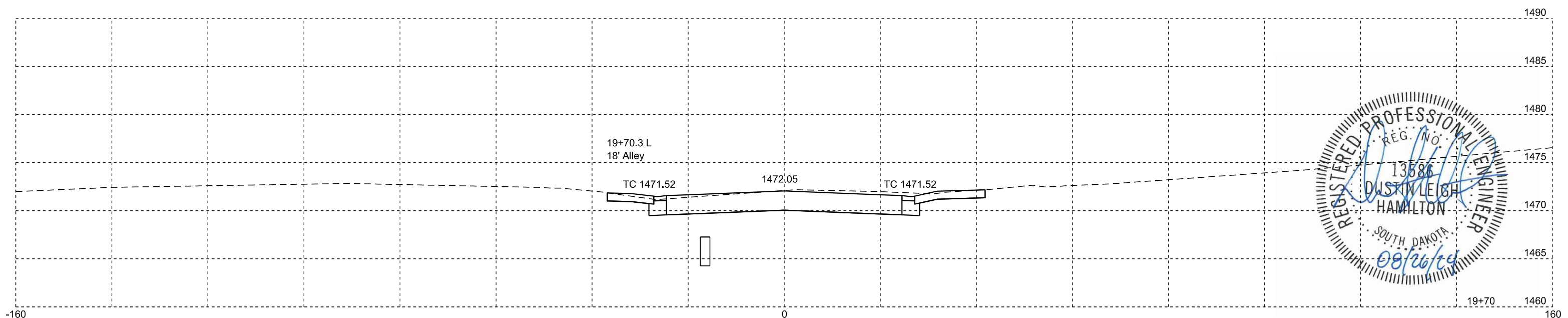
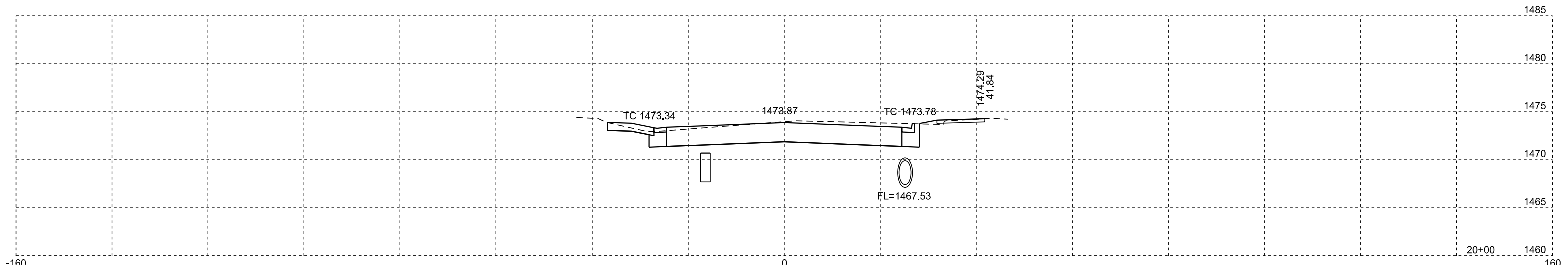
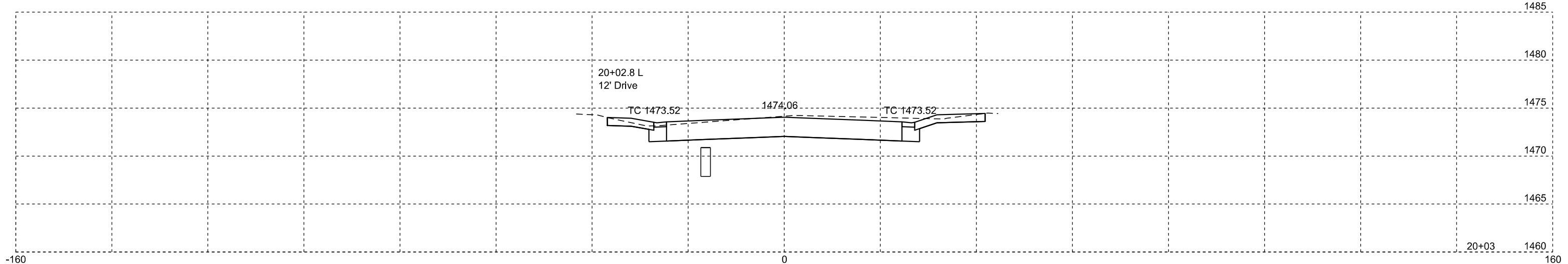
STATE OF SOUTH DAKOTA	PROJECT	SHEET	TOTAL SHEETS
	NH 0014(185)229	X56	X81



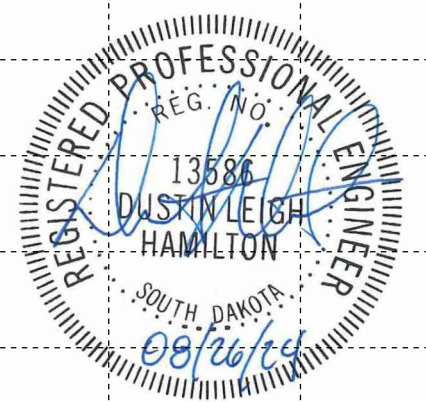
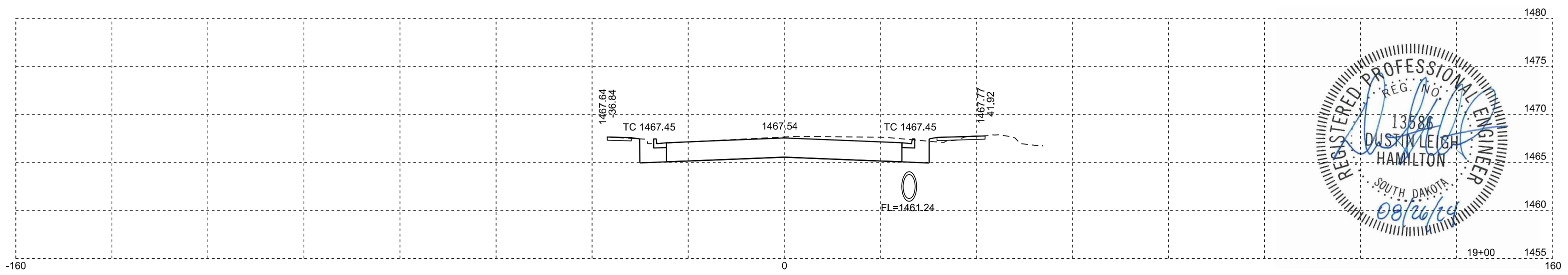
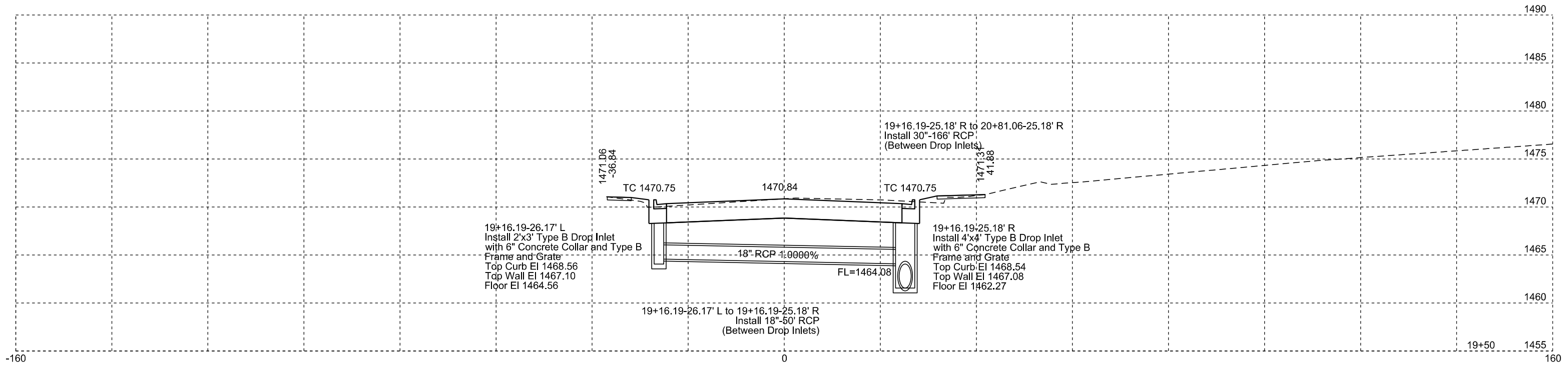
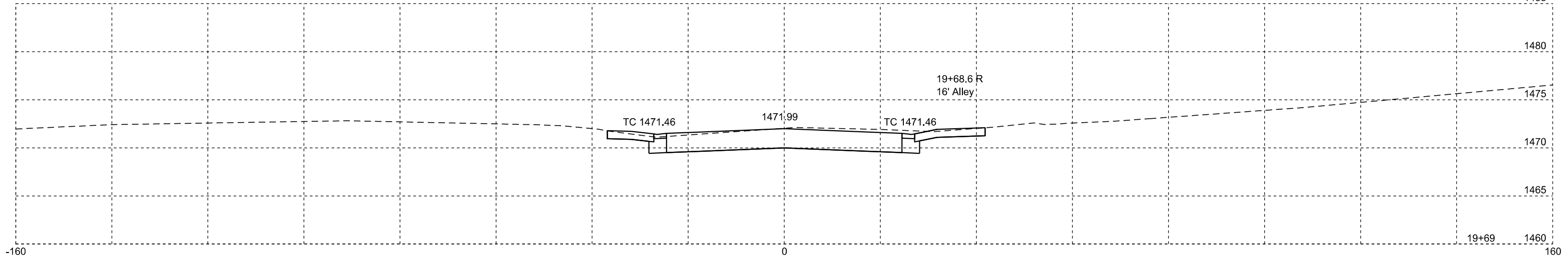
STATE OF SOUTH DAKOTA	PROJECT	SHEET	TOTAL SHEETS
	NH 0014(185)229	X57	X81



STATE OF SOUTH DAKOTA	PROJECT	SHEET	TOTAL SHEETS
	NH 0014(185)229	X58	X81

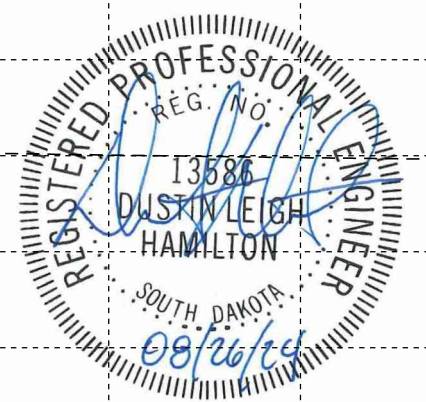
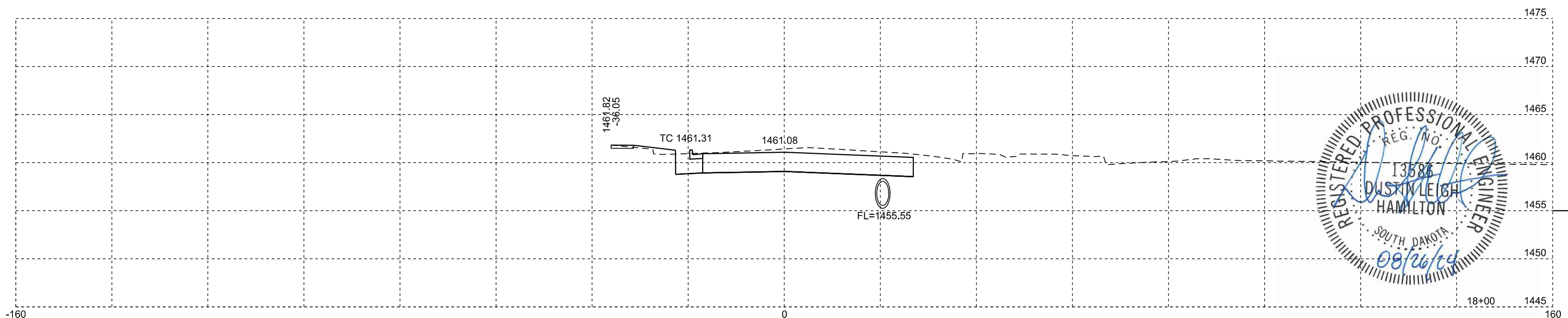
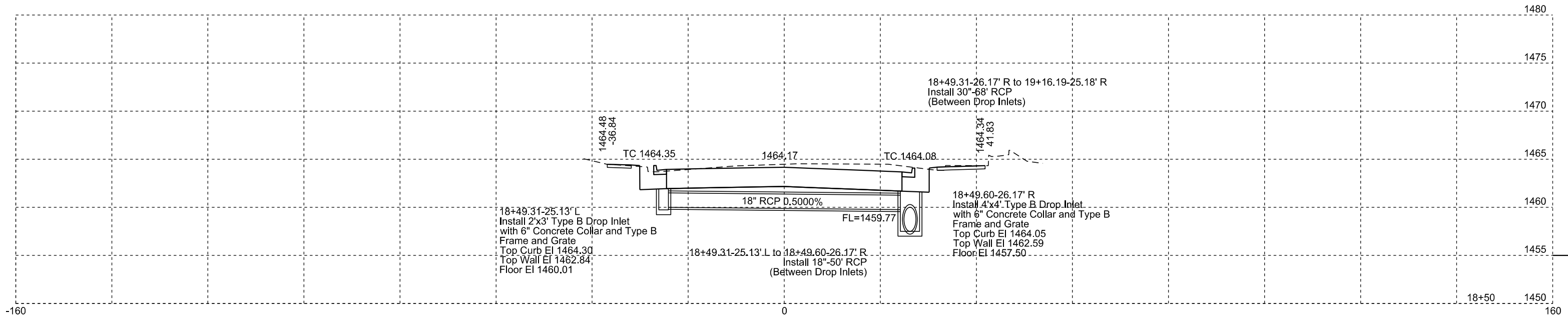
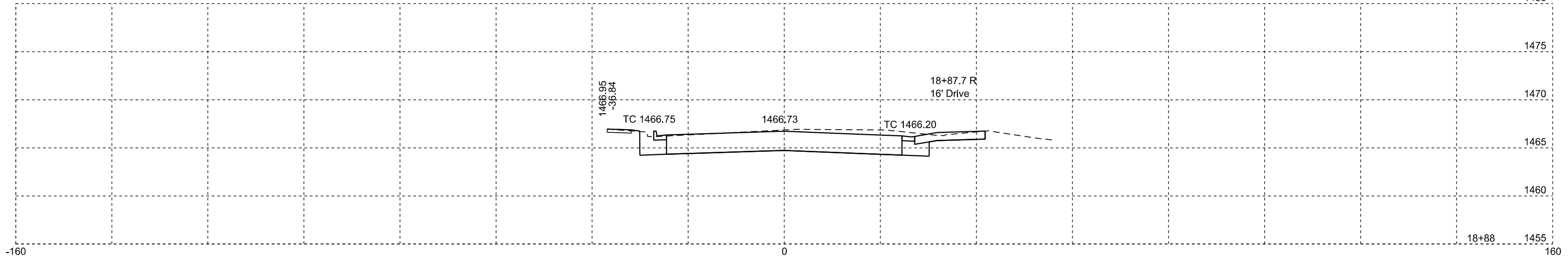


STATE OF SOUTH DAKOTA	PROJECT	SHEET	TOTAL SHEETS
	NH 0014(185)229	X59	X81

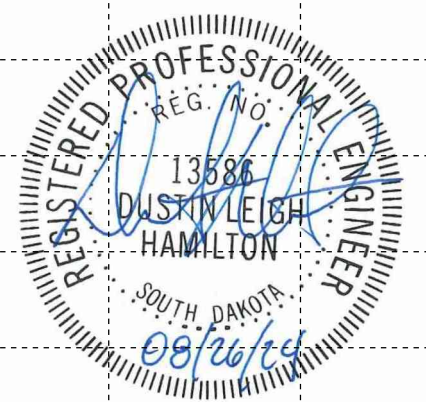
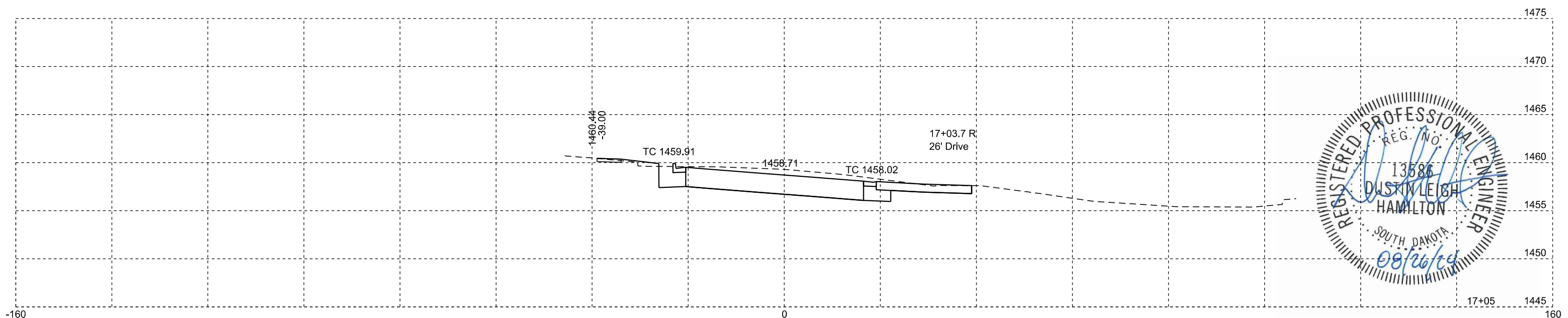
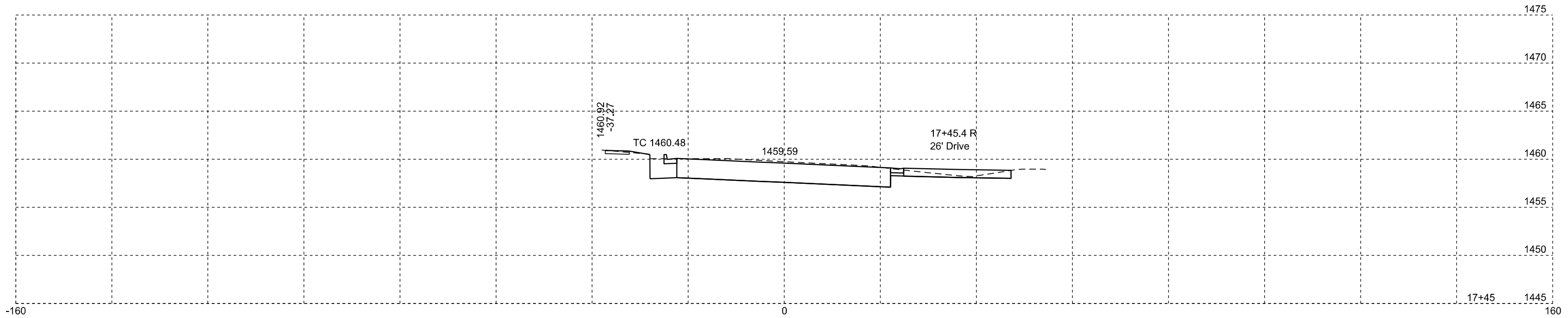
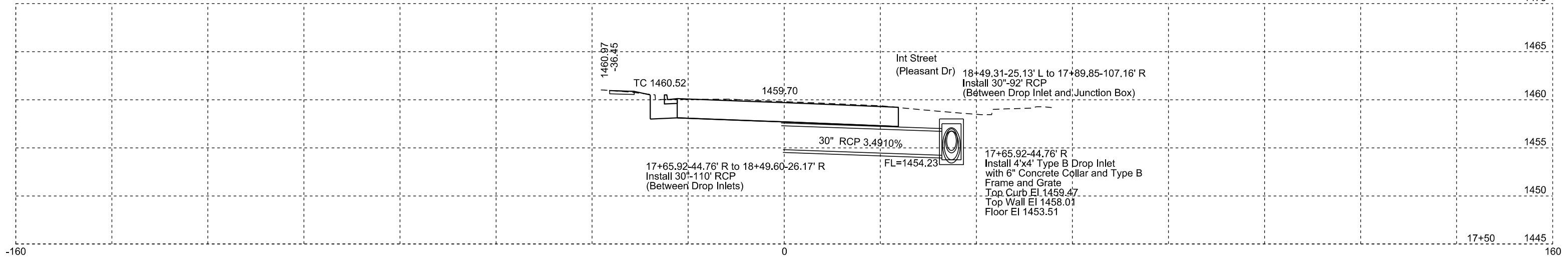


STATE OF SOUTH DAKOTA	PROJECT	SHEET	TOTAL SHEETS
	NH 0014(185)229	X60	X81

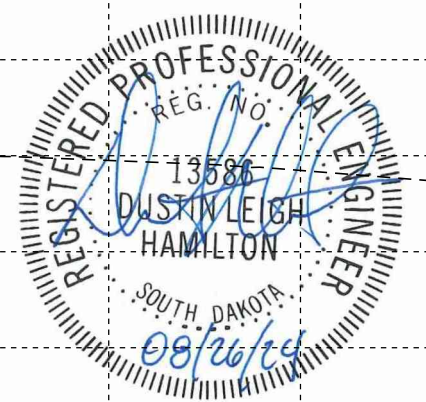
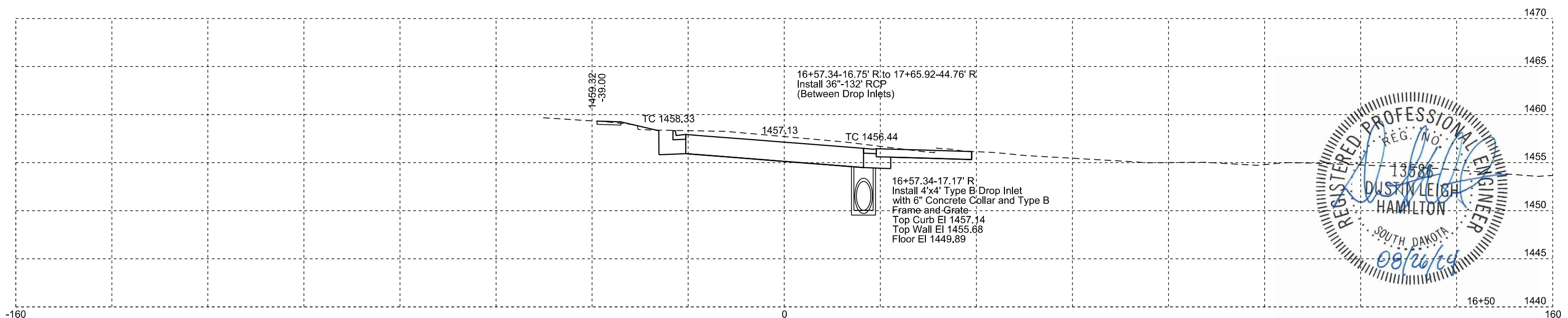
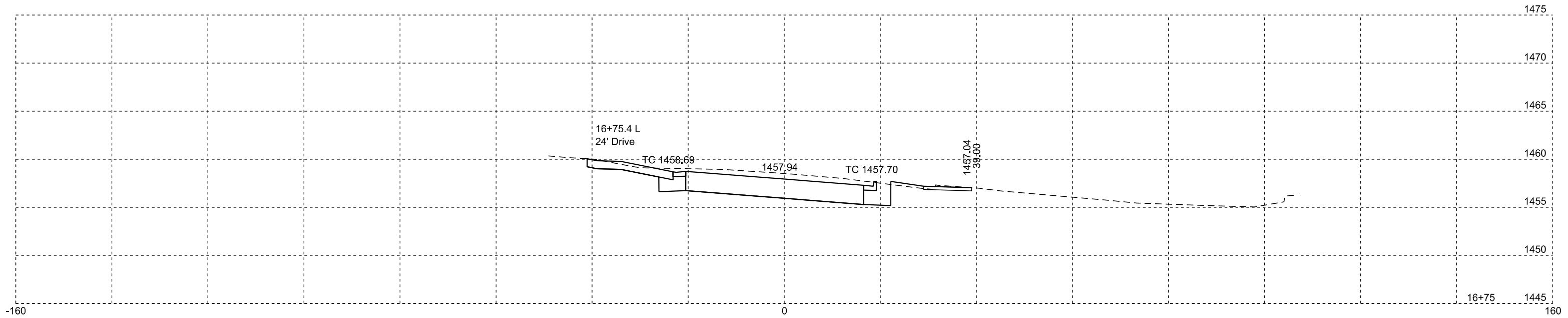
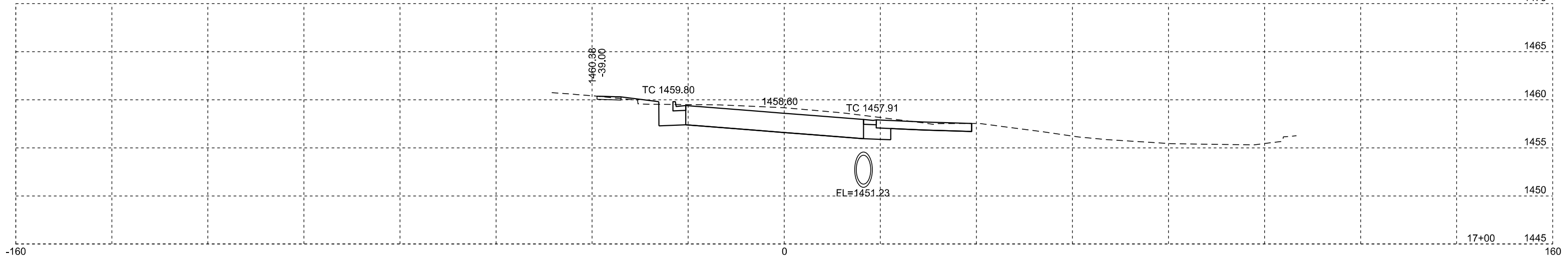
REV 08-12-24 GCE
1480



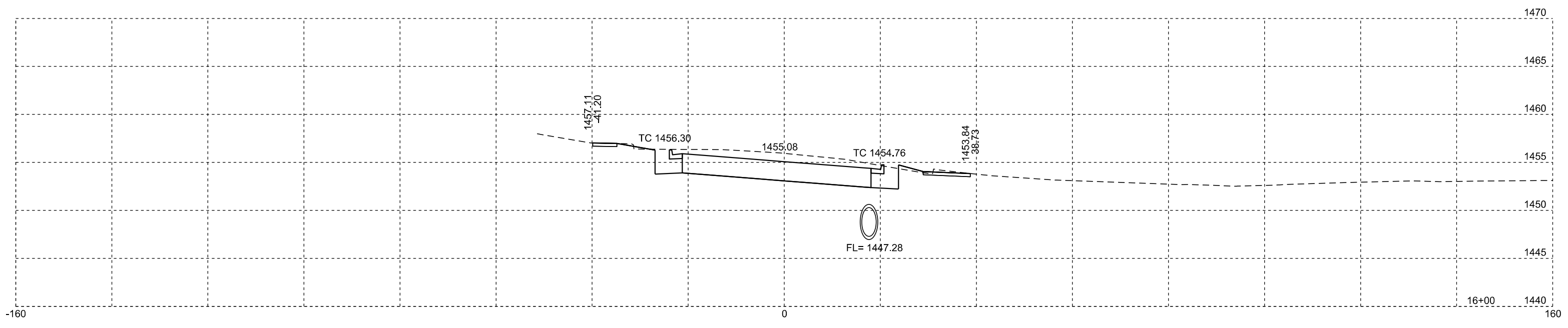
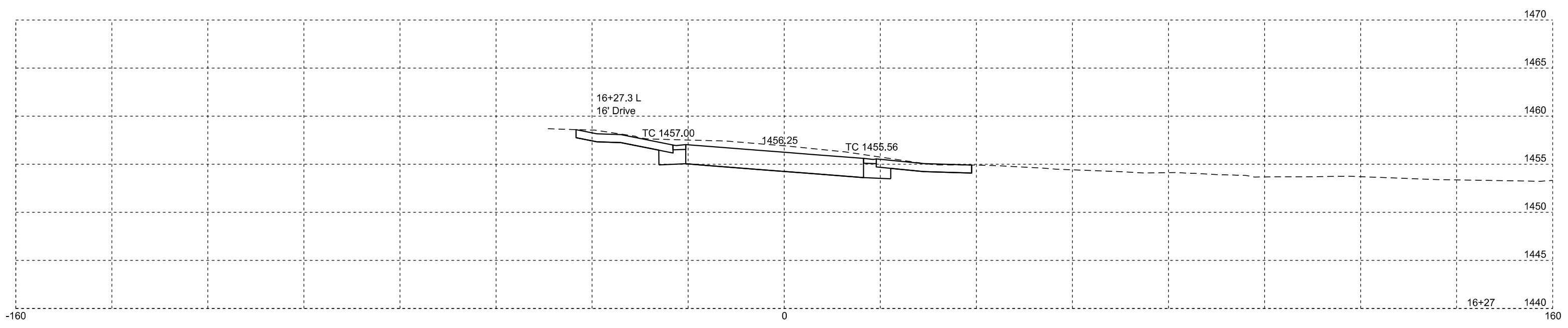
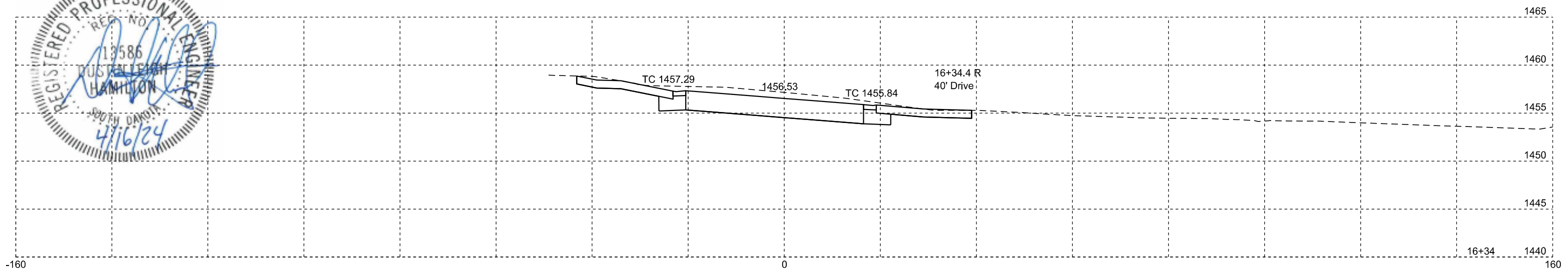
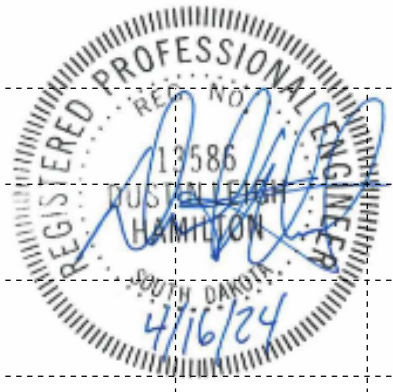
STATE OF SOUTH DAKOTA	PROJECT	SHEET	TOTAL SHEETS
	NH 0014(185)229	X61	X81



STATE OF SOUTH DAKOTA	PROJECT	SHEET	TOTAL SHEETS
	NH 0014(185)229	X62	X81

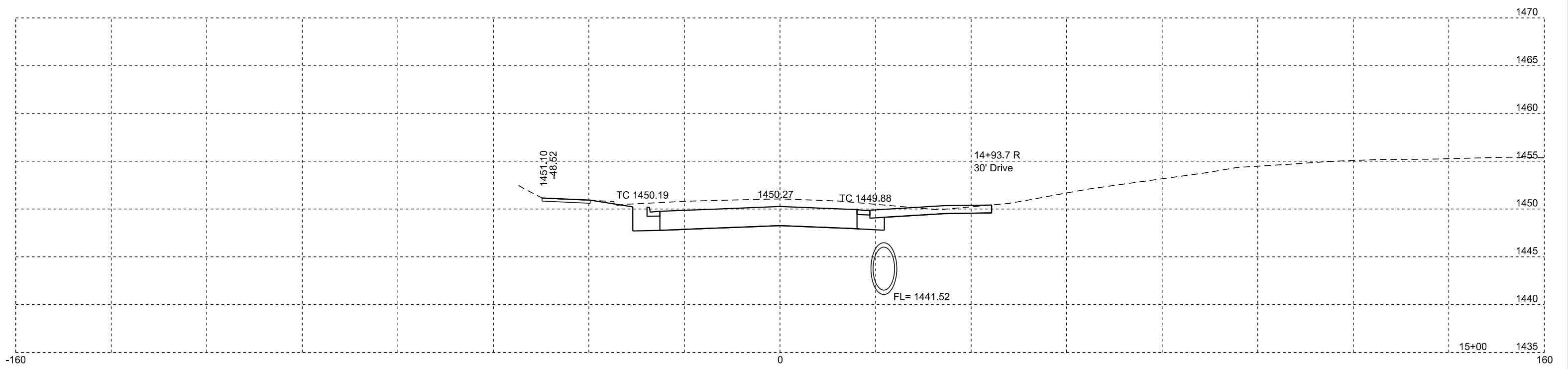
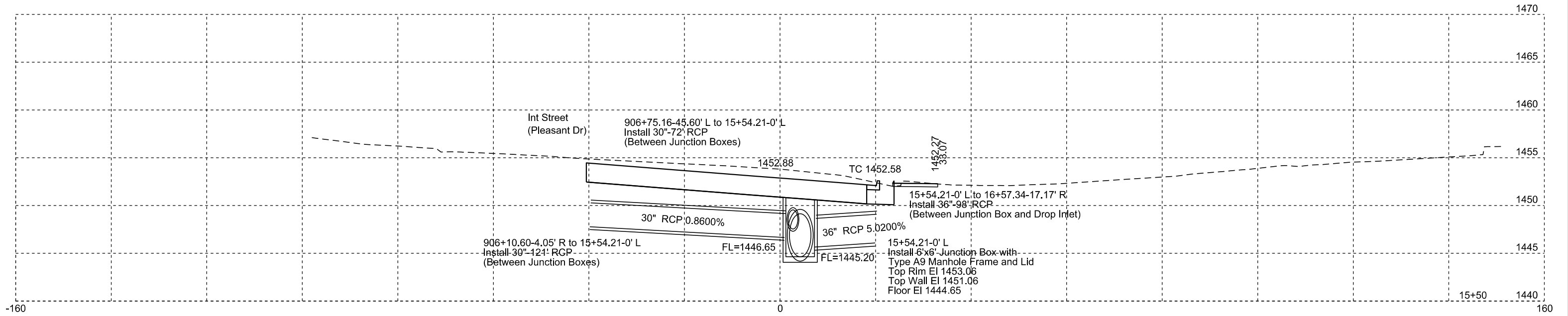


STATE OF SOUTH DAKOTA	PROJECT	SHEET	TOTAL SHEETS
	NH 0014(185)229	X63	X81



STATE OF SOUTH DAKOTA	PROJECT	SHEET	TOTAL SHEETS
	NH 0014(185)229	X64	X81

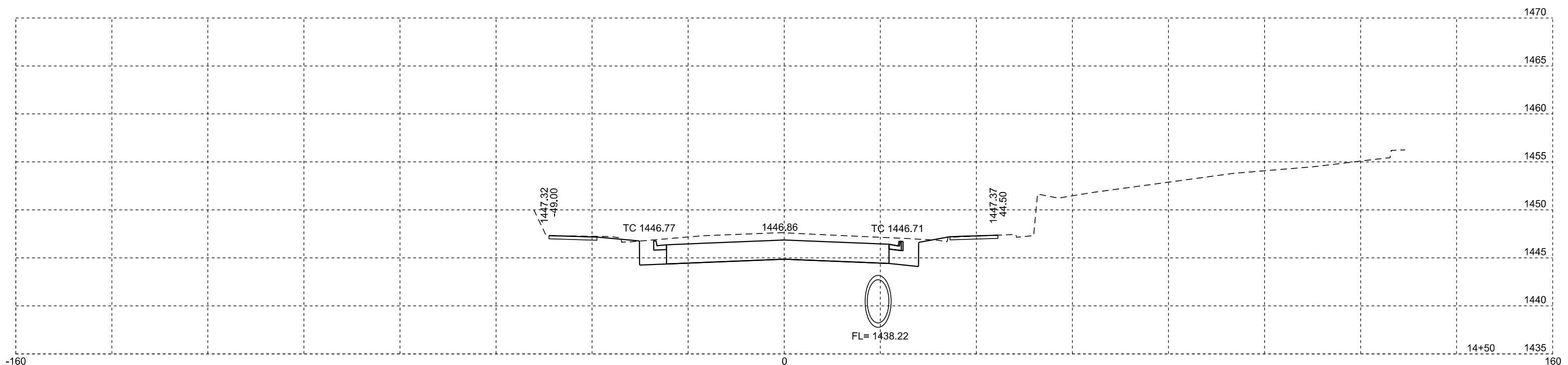
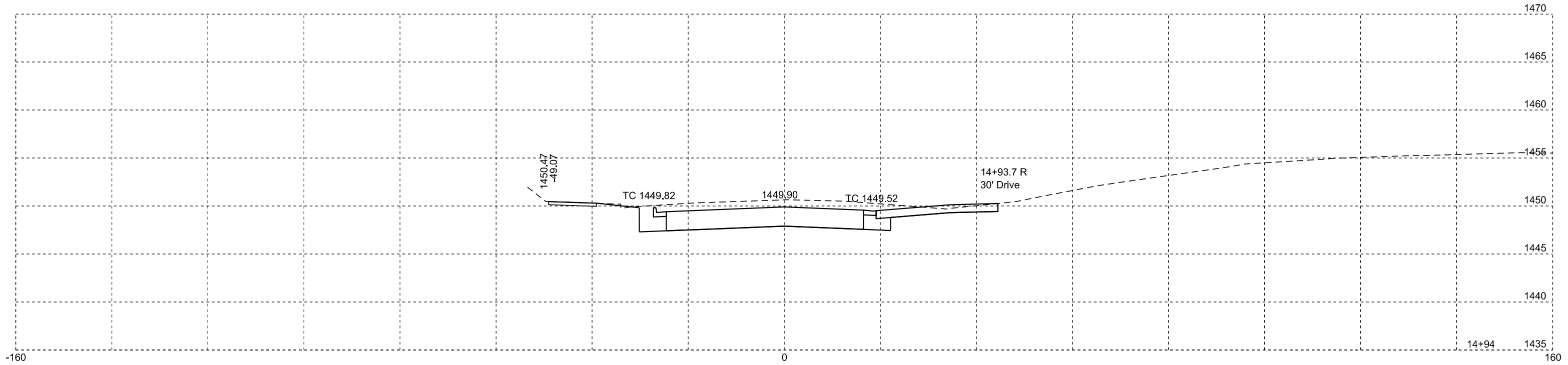
REV 08-12-24 GCE
REV 08-27-24 GCE



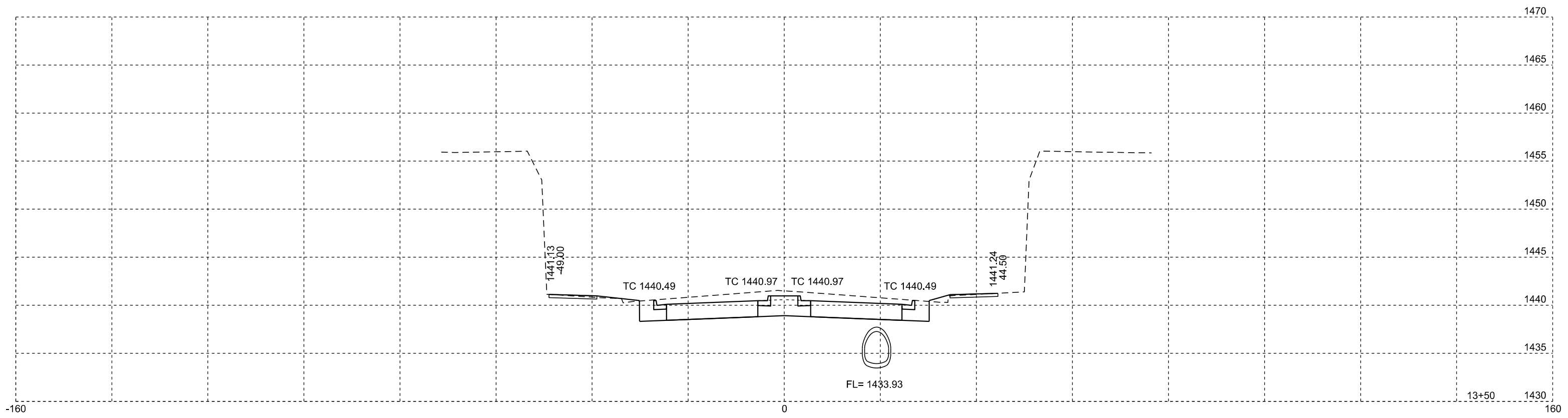
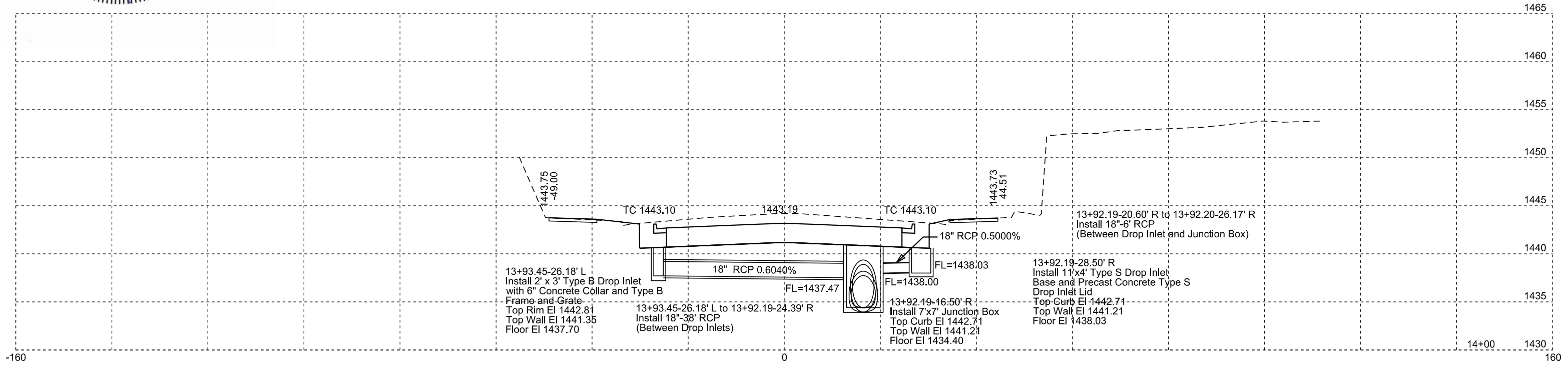
Plotting Date: 8/27/2024

STATE OF SOUTH DAKOTA	PROJECT	SHEET	TOTAL SHEETS
	NH 0014(185)229	X65	X81

REV 08-27-24 GCE



STATE OF SOUTH DAKOTA	PROJECT	SHEET	TOTAL SHEETS
	NH 0014(185)229	X66	X81

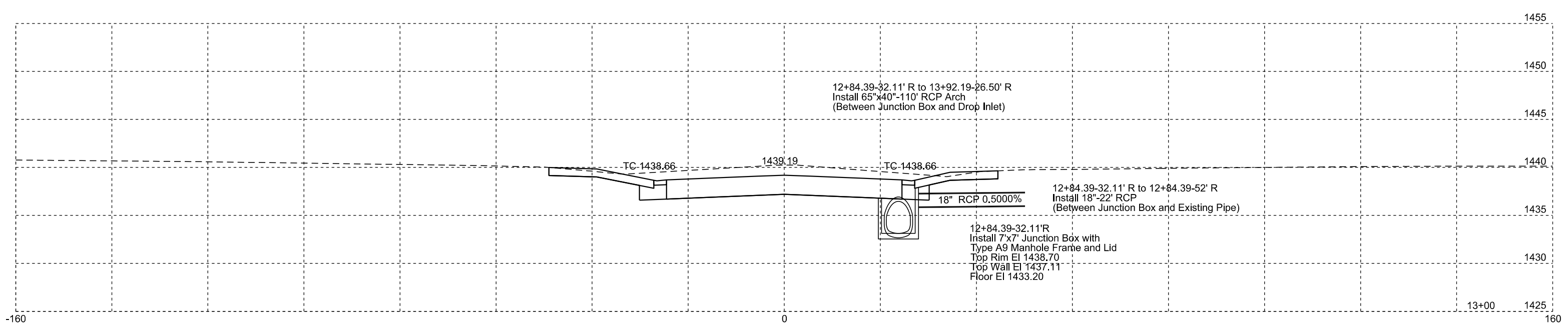
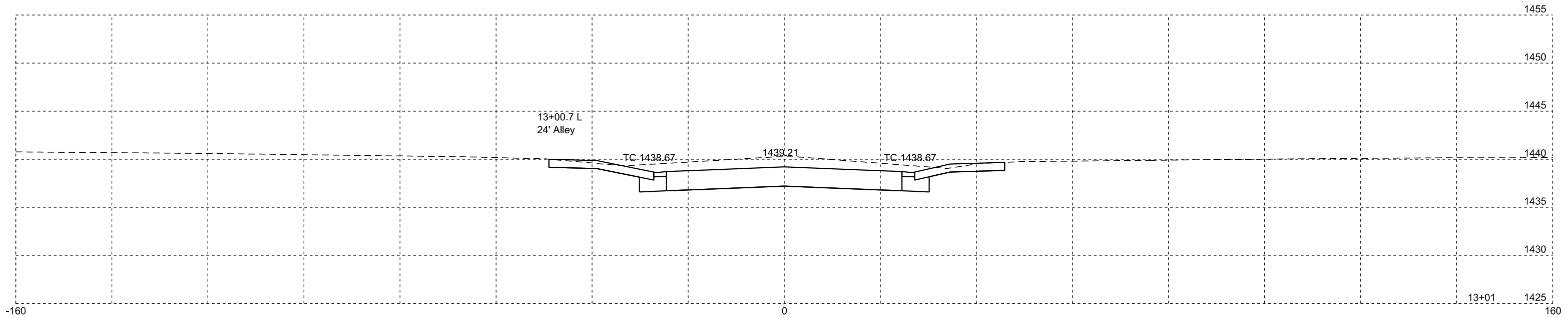




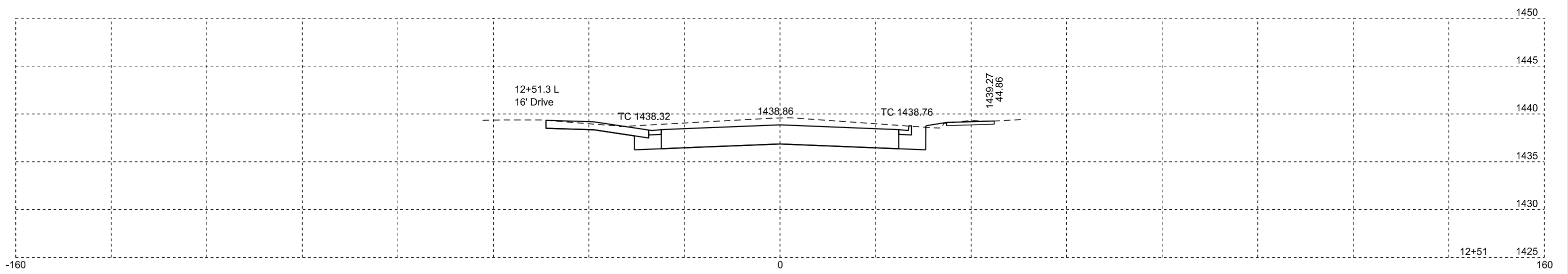
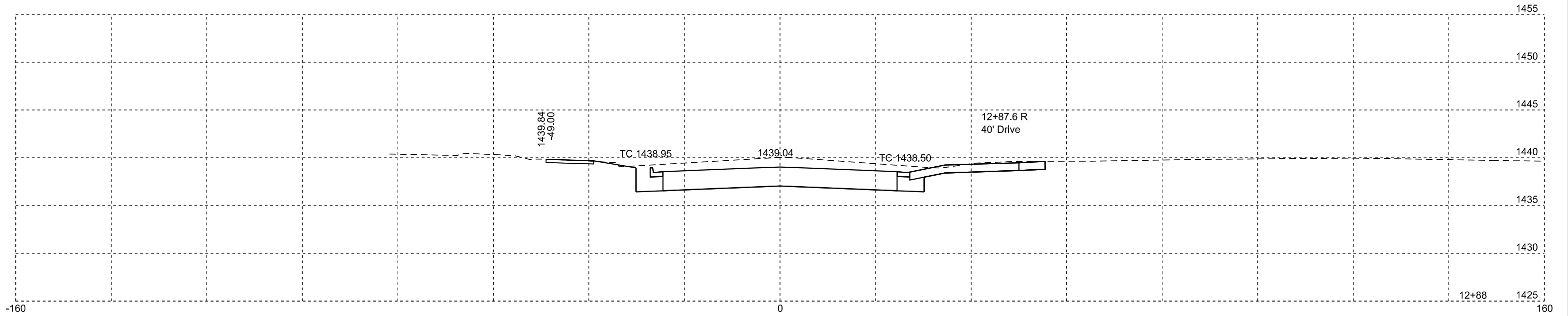
Plotting Date: 8/27/2024

STATE OF SOUTH DAKOTA	PROJECT	SHEET	TOTAL SHEETS
	NH 0014(185)229	X67	X81

REV 08-27-24 GCE



STATE OF SOUTH DAKOTA	PROJECT	SHEET	TOTAL SHEETS
	NH 0014(185)229	X68	X81

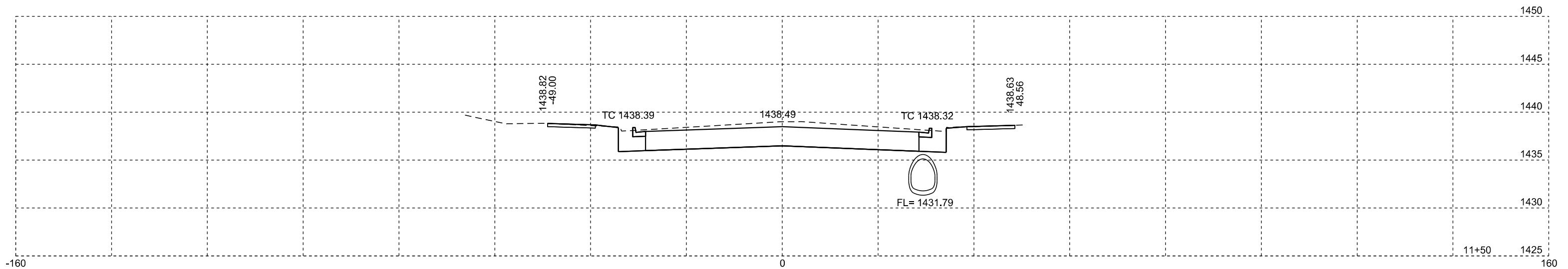
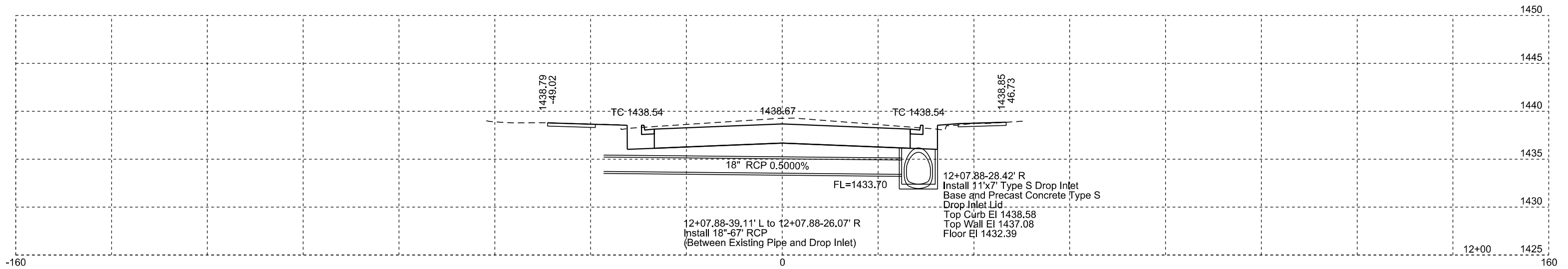
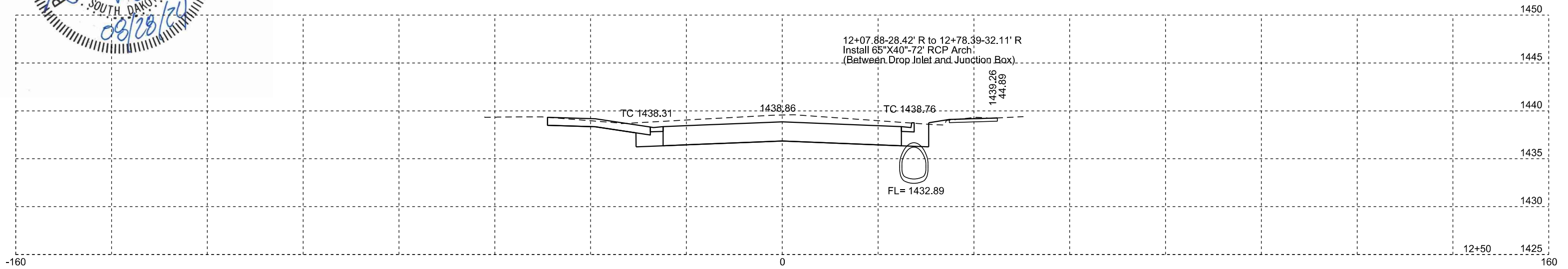




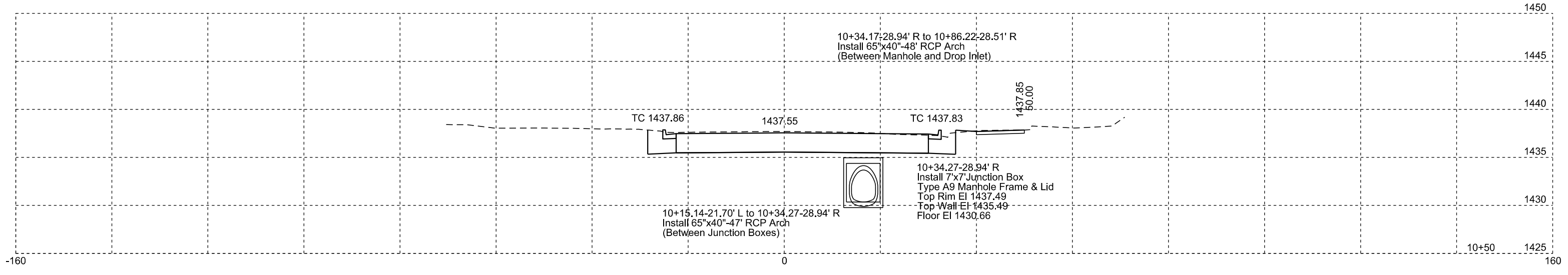
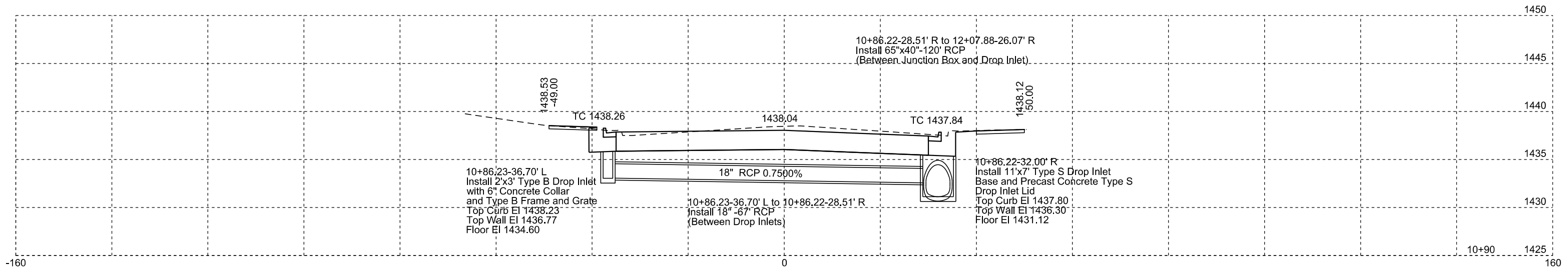
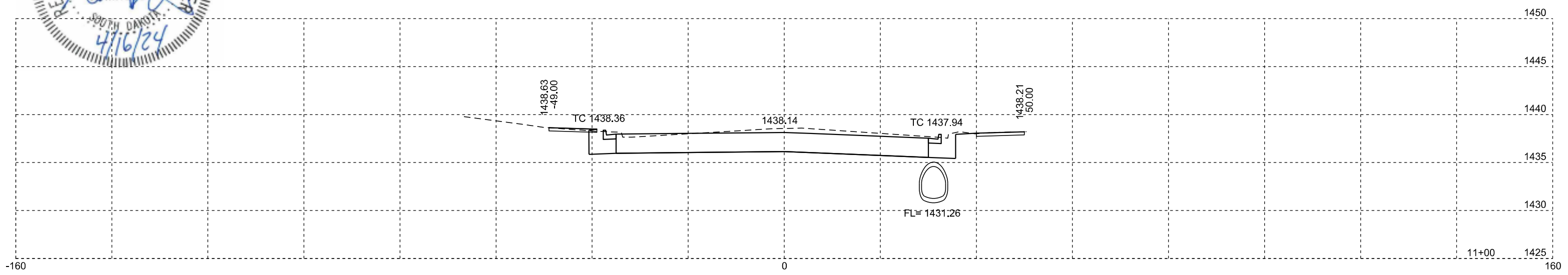
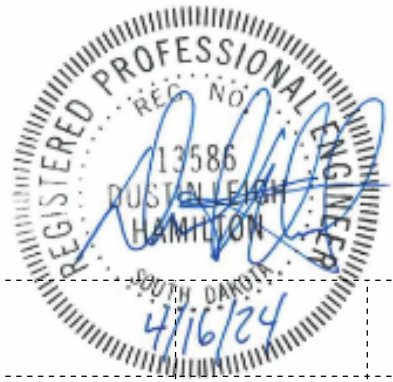
Plotting Date: 8/27/2024

STATE OF SOUTH DAKOTA	PROJECT	SHEET	TOTAL SHEETS
	NH 0014(185)229	X69	X81

REV 08-12-24 GCE
REV 08-27-24 GCE



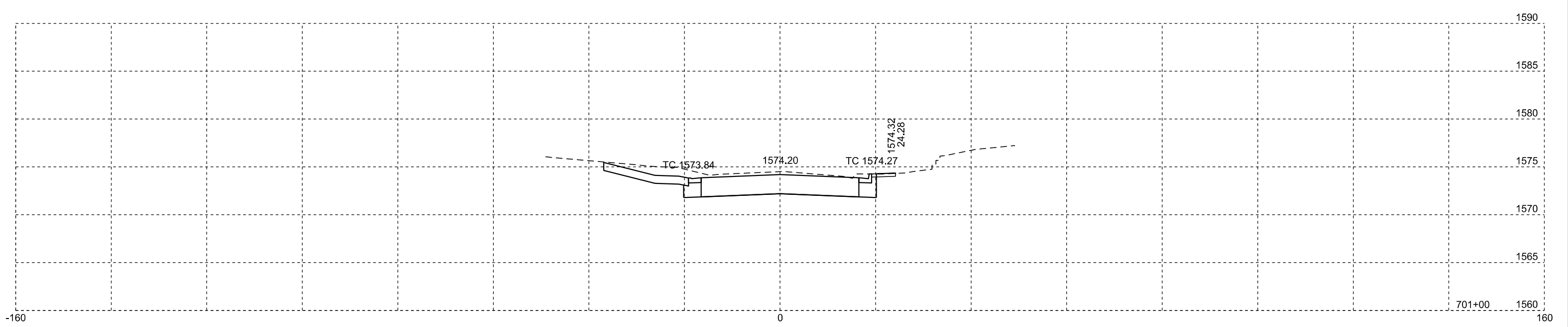
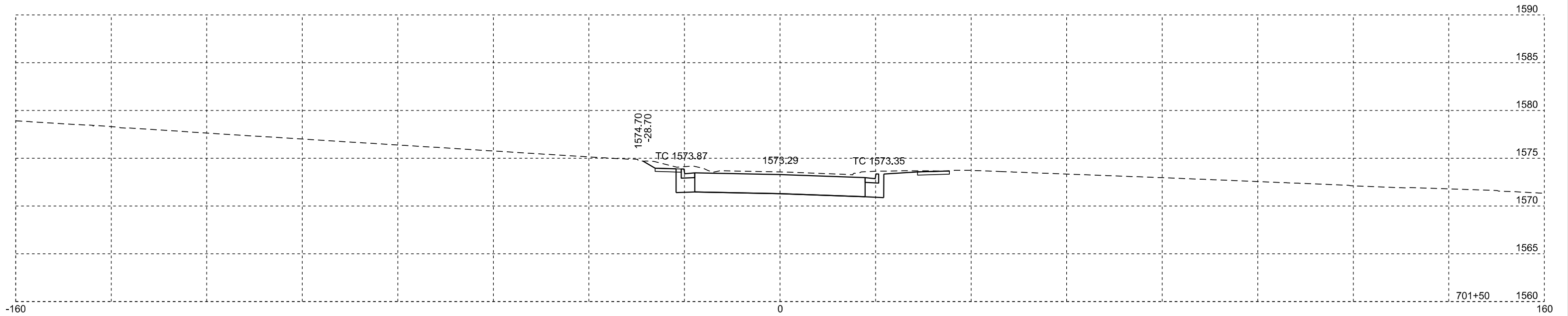
STATE OF SOUTH DAKOTA	PROJECT	SHEET	TOTAL SHEETS
	NH 0014(185)229	X70	X81



Elizabeth Street

Plotting Date: 4/16/2024

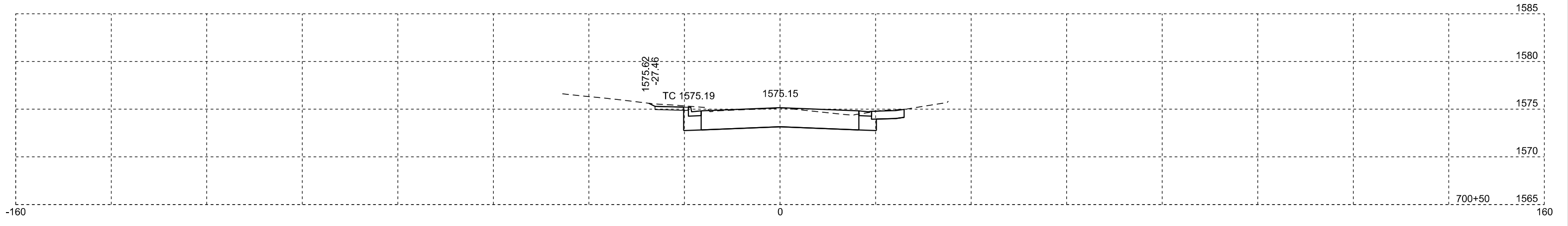
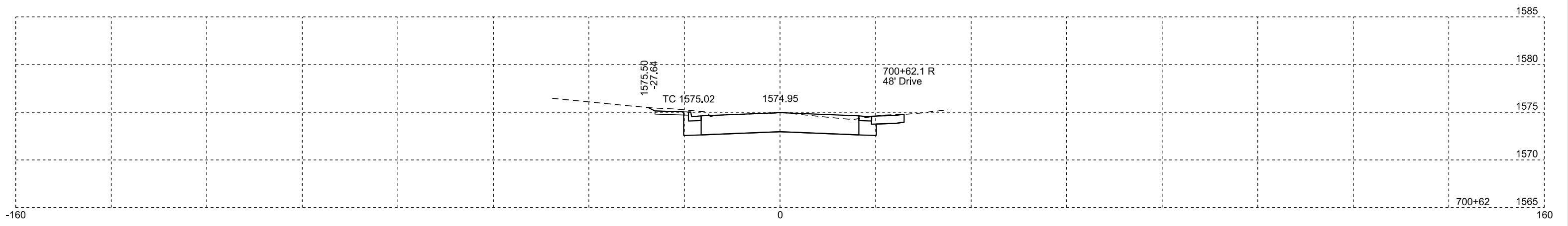
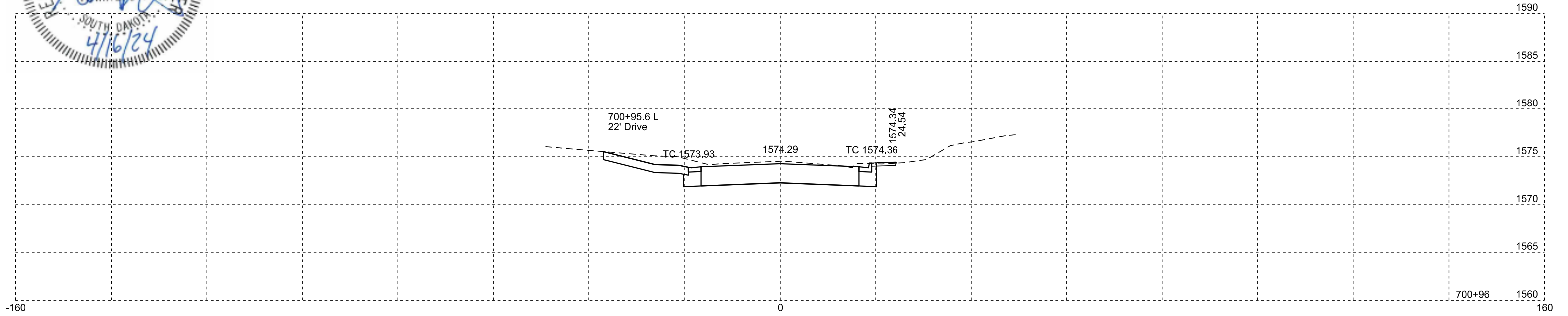
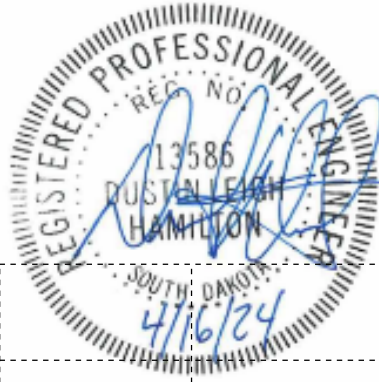
STATE OF SOUTH DAKOTA	PROJECT	SHEET	TOTAL SHEETS
	NH 0014(185)229	X71	X81



Elizabeth Street

Plotting Date: 4/16/2024

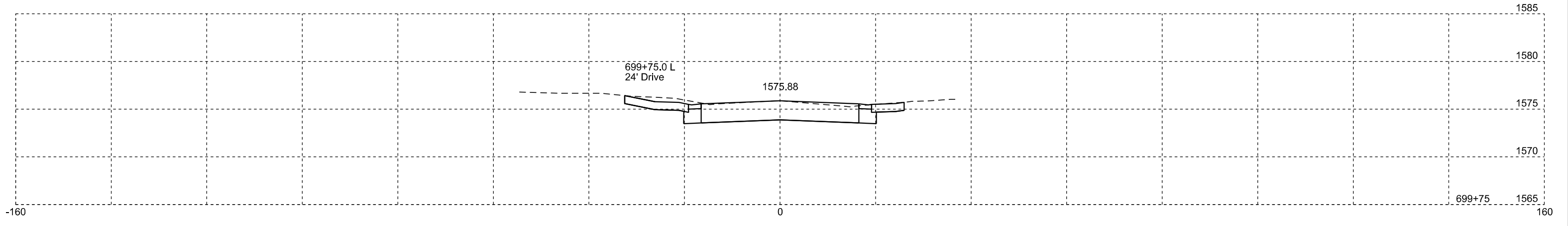
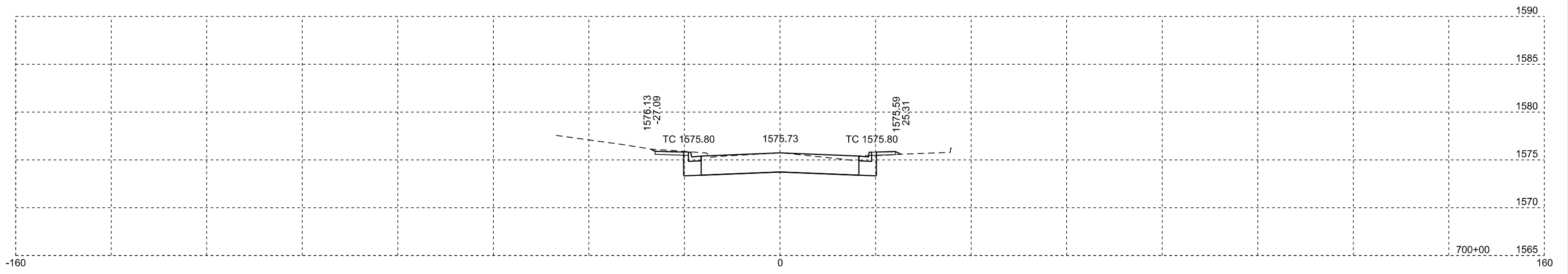
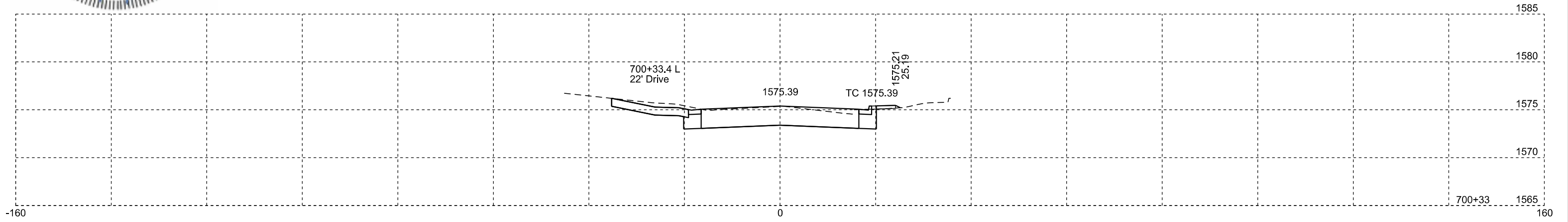
STATE OF SOUTH DAKOTA	PROJECT	SHEET	TOTAL SHEETS
	NH 0014(185)229	X72	X81



Elizabeth Street

Plotting Date: 4/16/2024

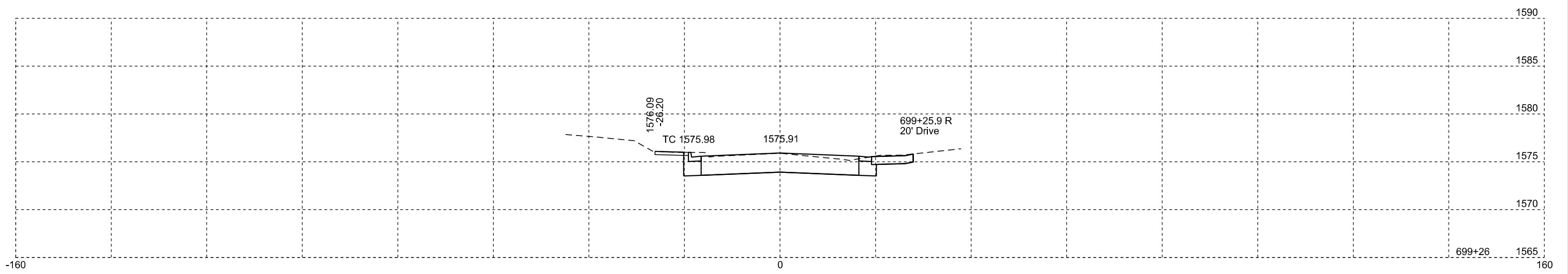
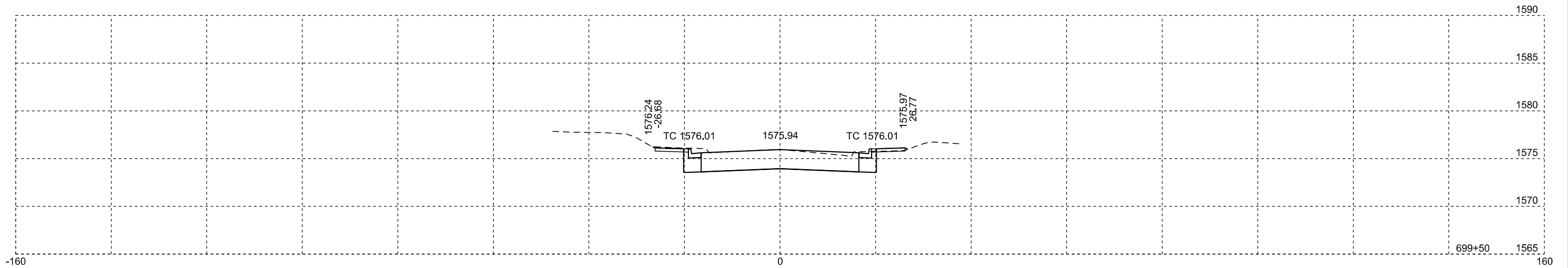
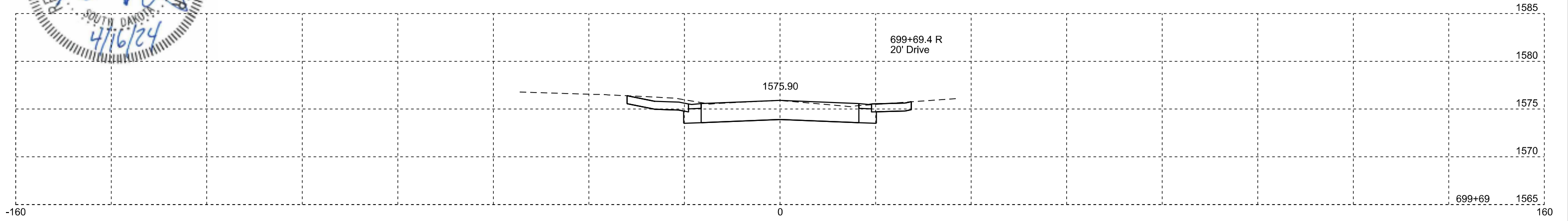
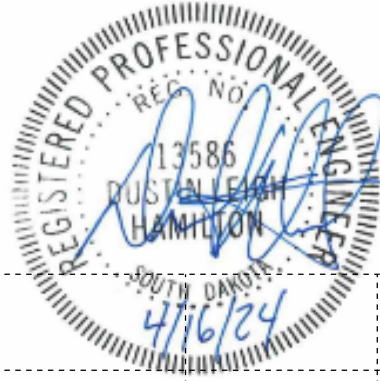
STATE OF SOUTH DAKOTA	PROJECT	SHEET	TOTAL SHEETS
	NH 0014(185)229	X73	X81



Elizabeth Street

Plotting Date: 4/16/2024

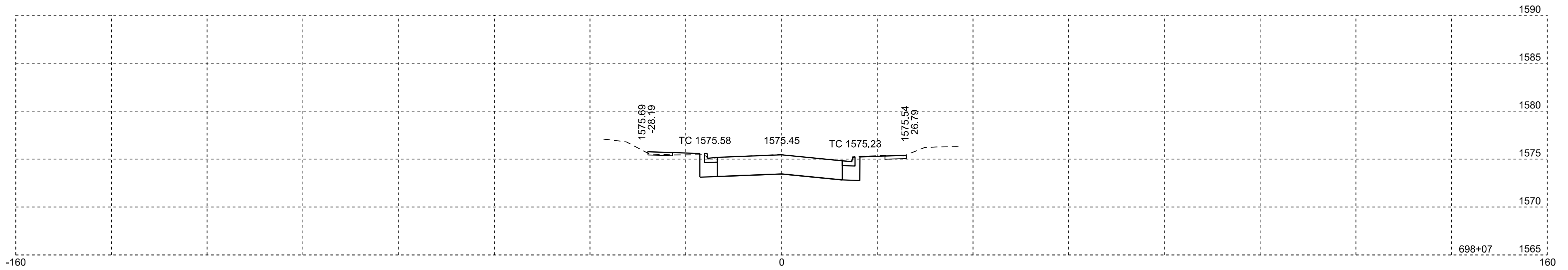
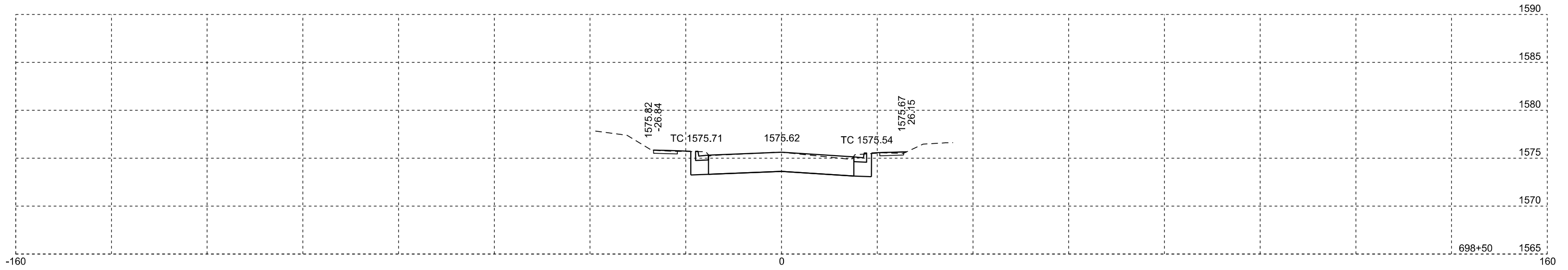
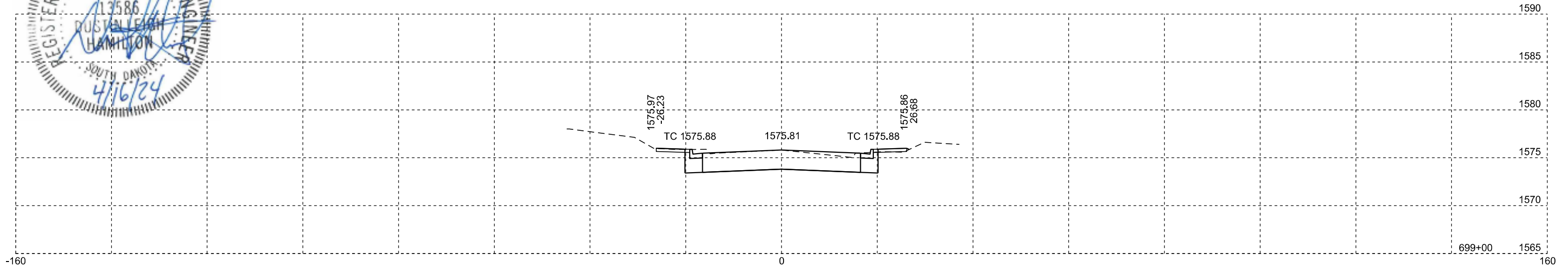
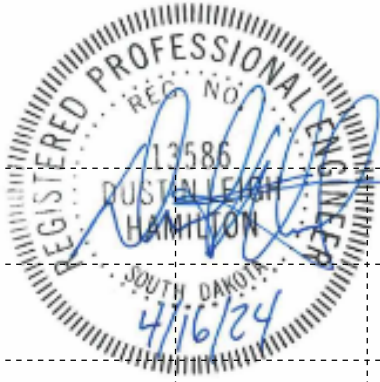
STATE OF SOUTH DAKOTA	PROJECT	SHEET	TOTAL SHEETS
	NH 0014(185)229	X74	X81



Elizabeth Street

Plotting Date: 4/16/2024

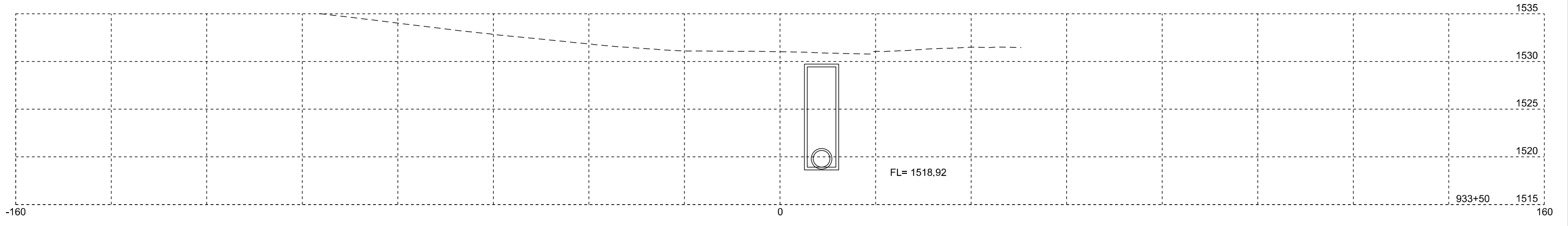
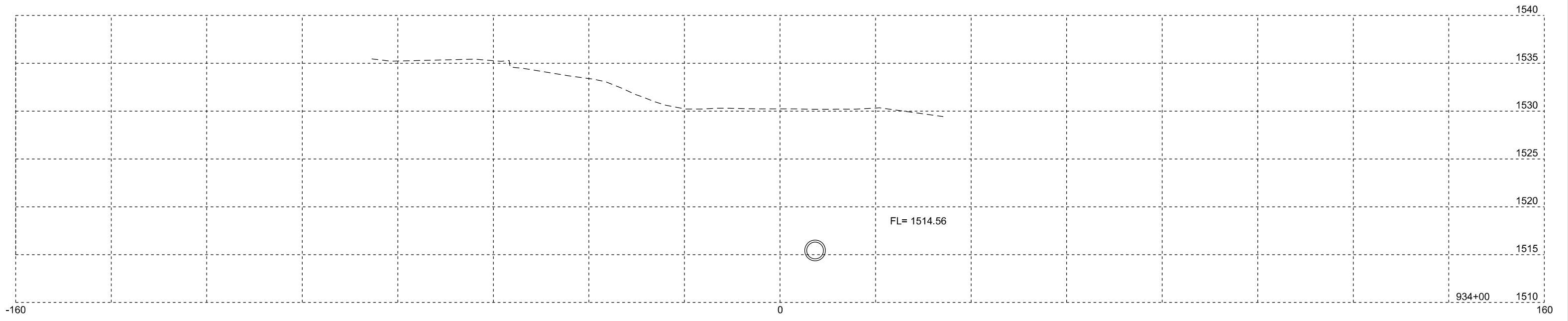
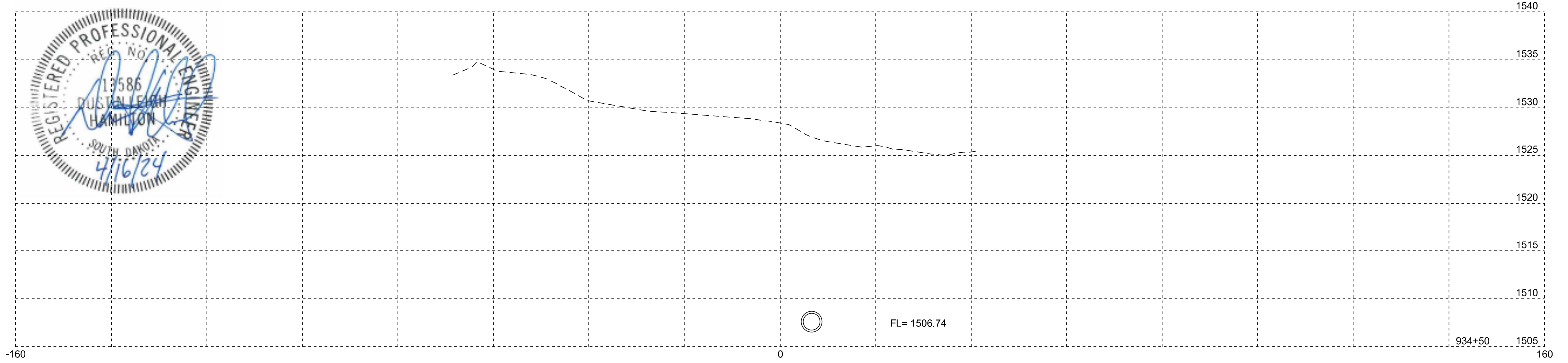
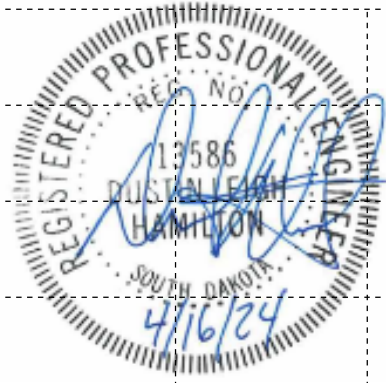
STATE OF SOUTH DAKOTA	PROJECT	SHEET	TOTAL SHEETS
	NH 0014(185)229	X75	X81



Wynoka Street

Plotting Date: 4/16/2024

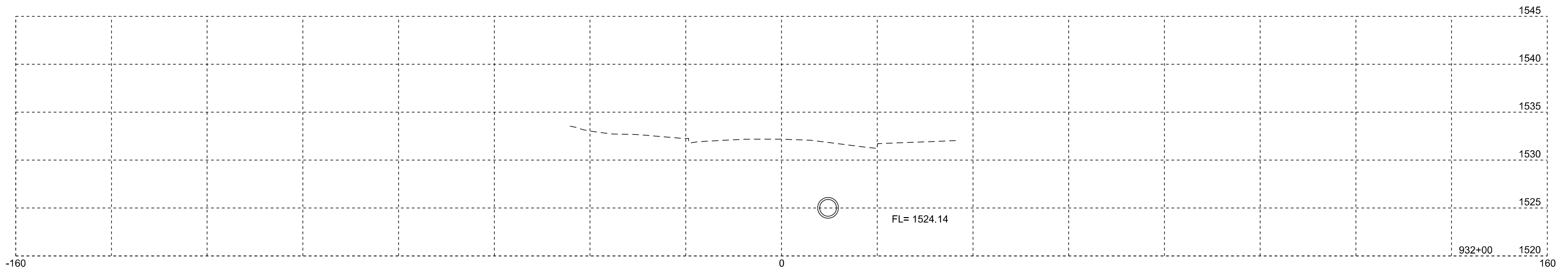
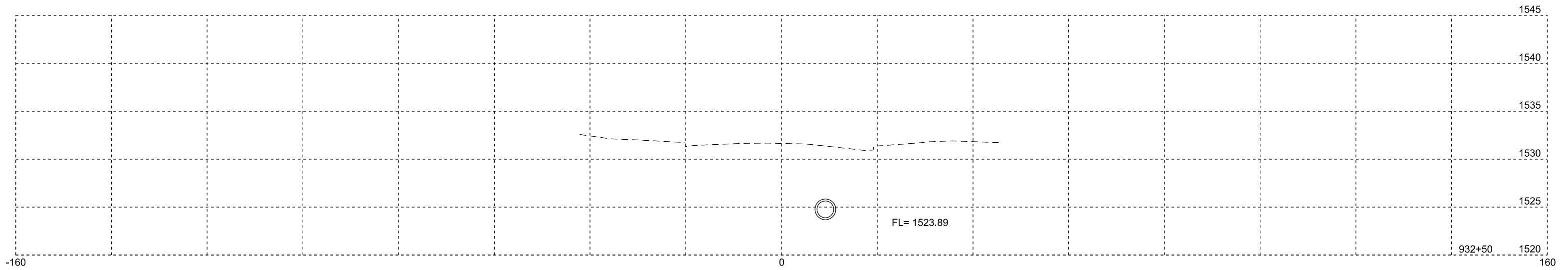
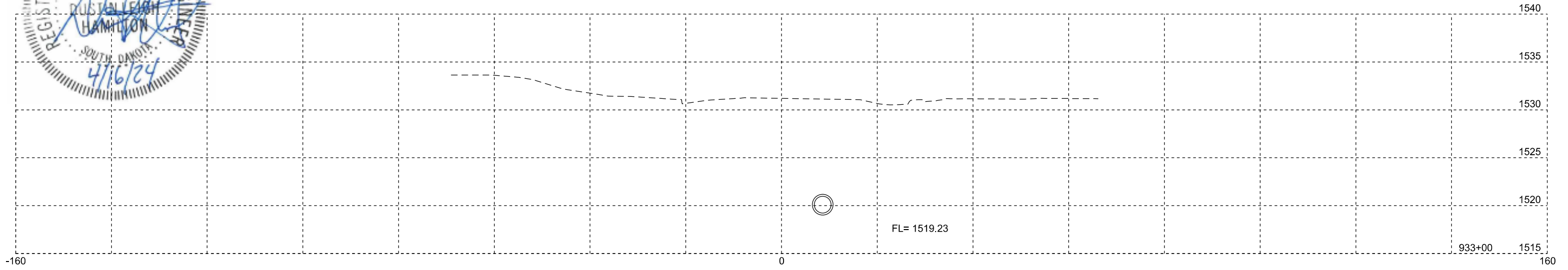
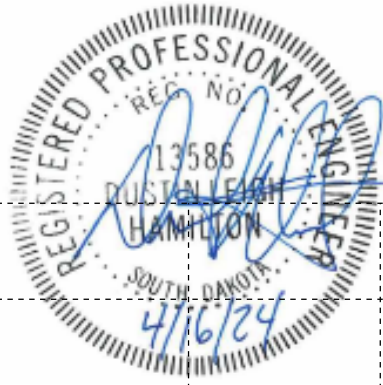
STATE OF SOUTH DAKOTA	PROJECT	SHEET	TOTAL SHEETS
		X76	X81



Wynoka Street

Plotting Date: 4/16/2024

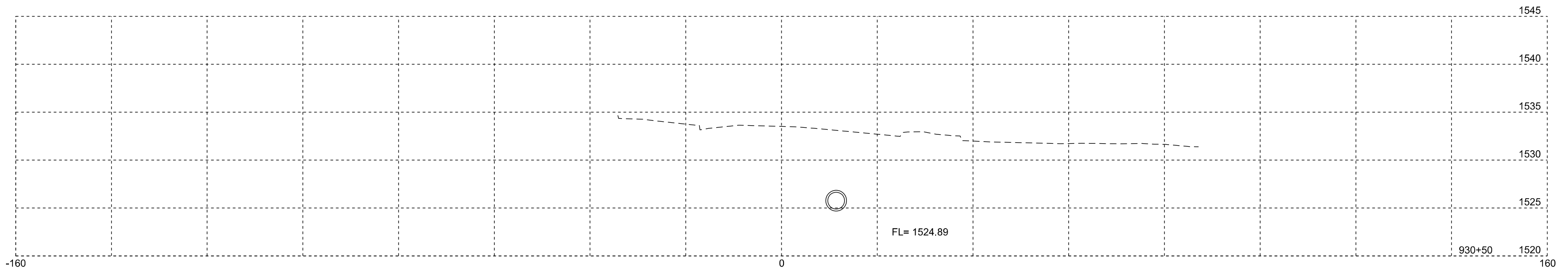
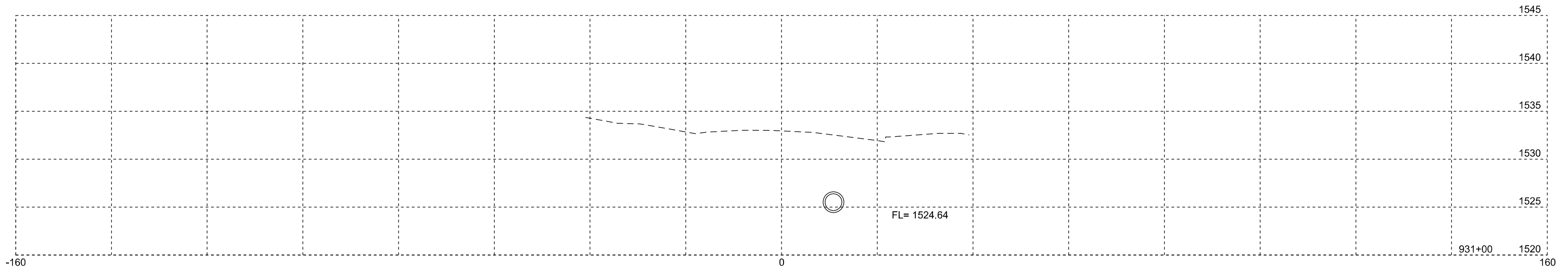
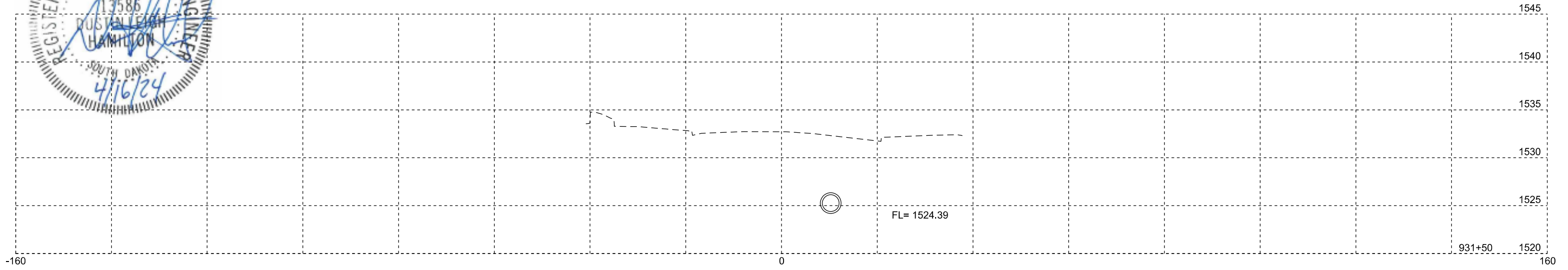
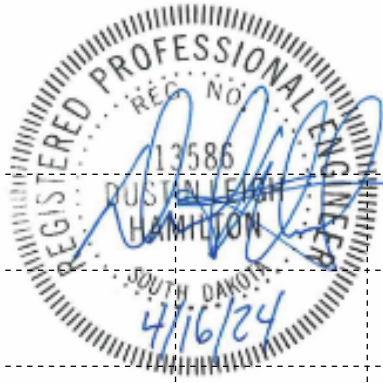
STATE OF SOUTH DAKOTA	PROJECT	SHEET	TOTAL SHEETS
		X77	X81



Wynoka Street

Plotting Date: 4/16/2024

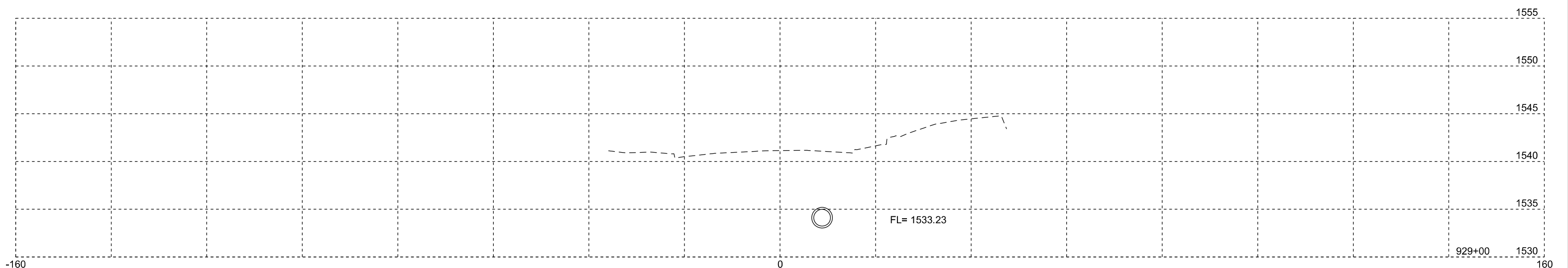
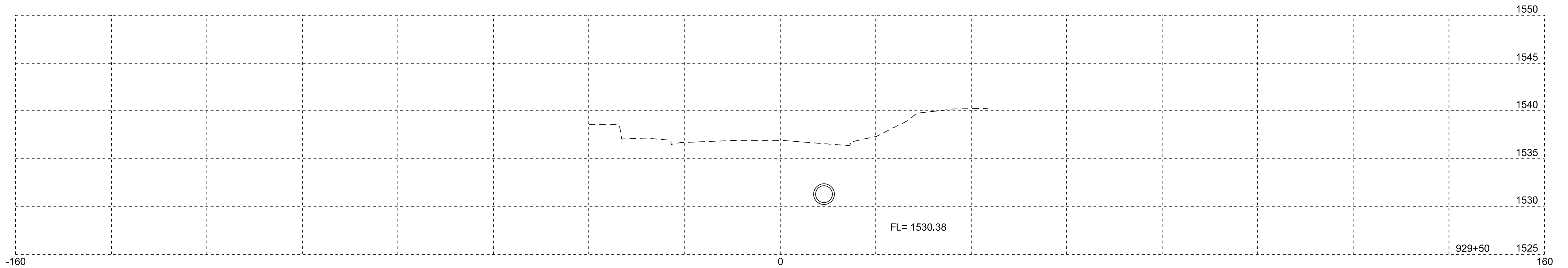
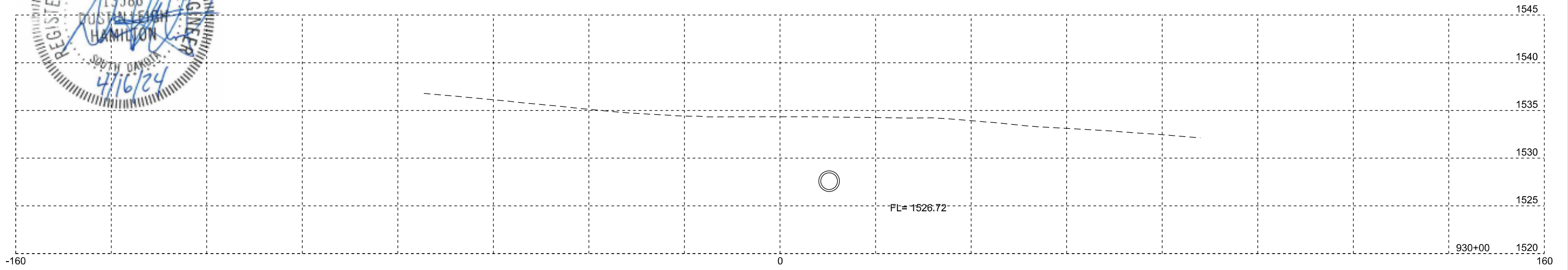
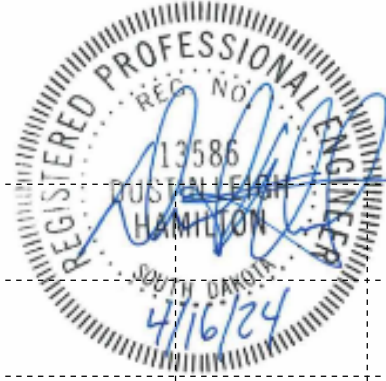
STATE OF SOUTH DAKOTA	PROJECT	SHEET	TOTAL SHEETS
		X78	X81



Wynoka Street

Plotting Date: 4/16/2024

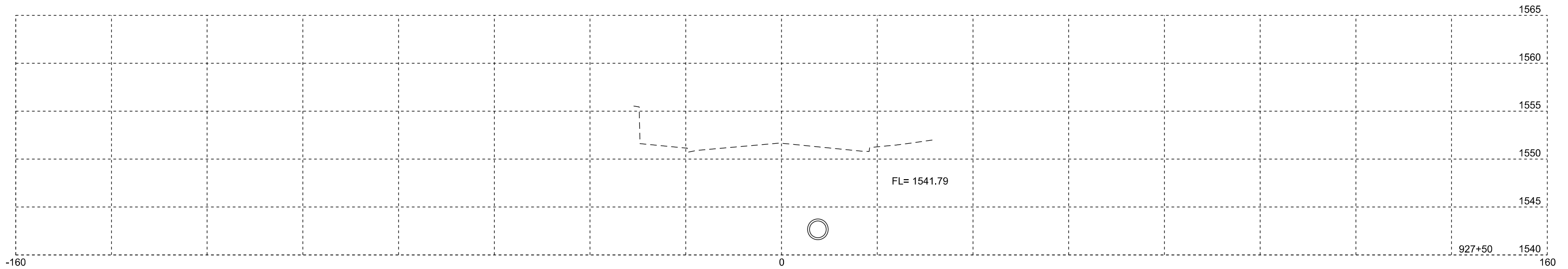
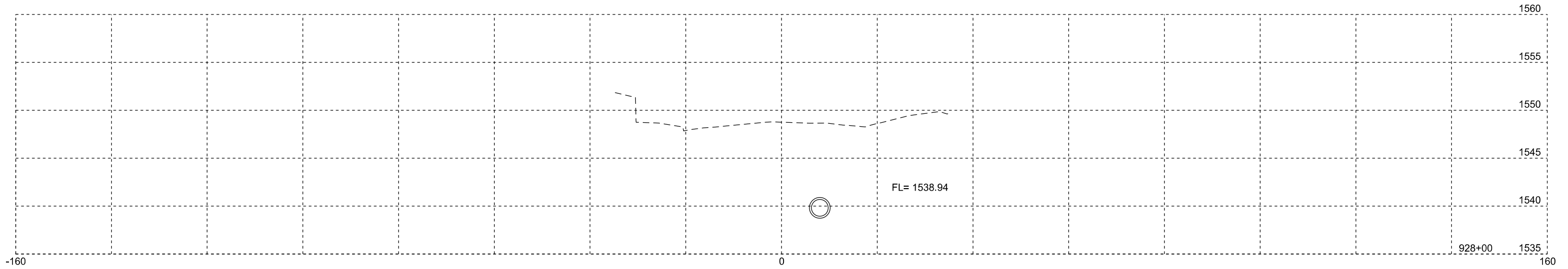
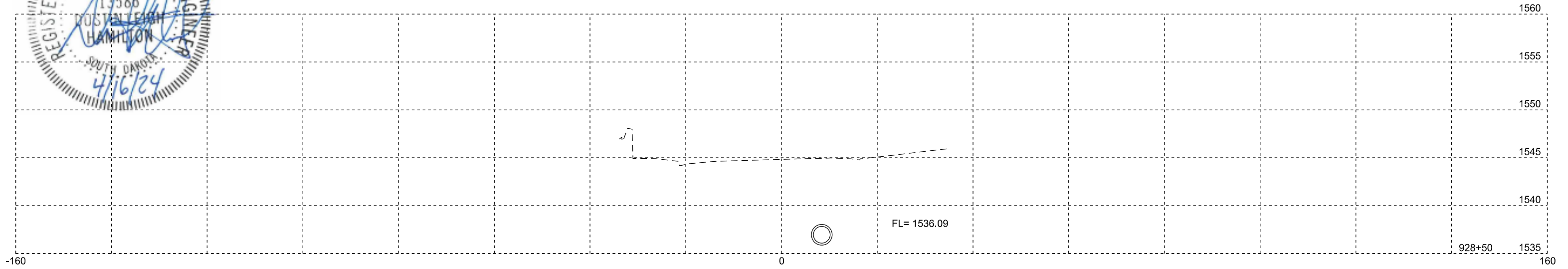
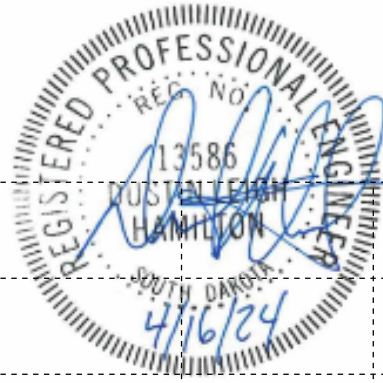
STATE OF SOUTH DAKOTA	PROJECT	SHEET	TOTAL SHEETS
		X79	X81



Wynoka Street

Plotting Date: 4/16/2024

STATE OF SOUTH DAKOTA	PROJECT	SHEET	TOTAL SHEETS
		X80	X81



Wynoka Street

Plotting Date: 4/16/2024

STATE OF SOUTH DAKOTA	PROJECT	SHEET	TOTAL SHEETS
		X81	X81

