

SECTION Z: PIPE SECTIONS

STATE OF SOUTH DAKOTA	PROJECT	SHEET	TOTAL SHEETS
	P-PH-PT 0025(81)158	Z1	Z20

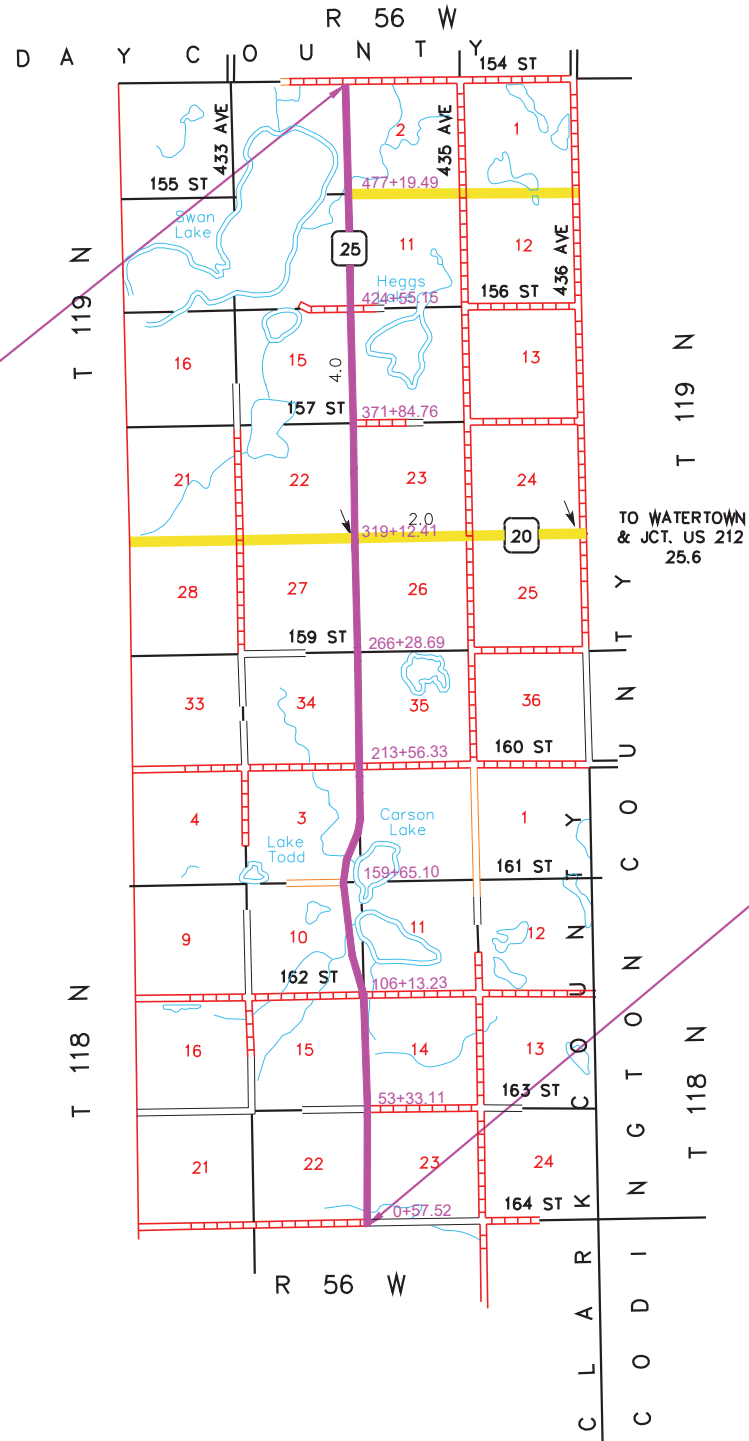
Plotting Date: 12-04-2024

INDEX OF SHEETS

- Z1 General Layout with Index
- Z2-Z15 Mainline Pipe Sections
- Z16-Z20 Approach Pipe Sections

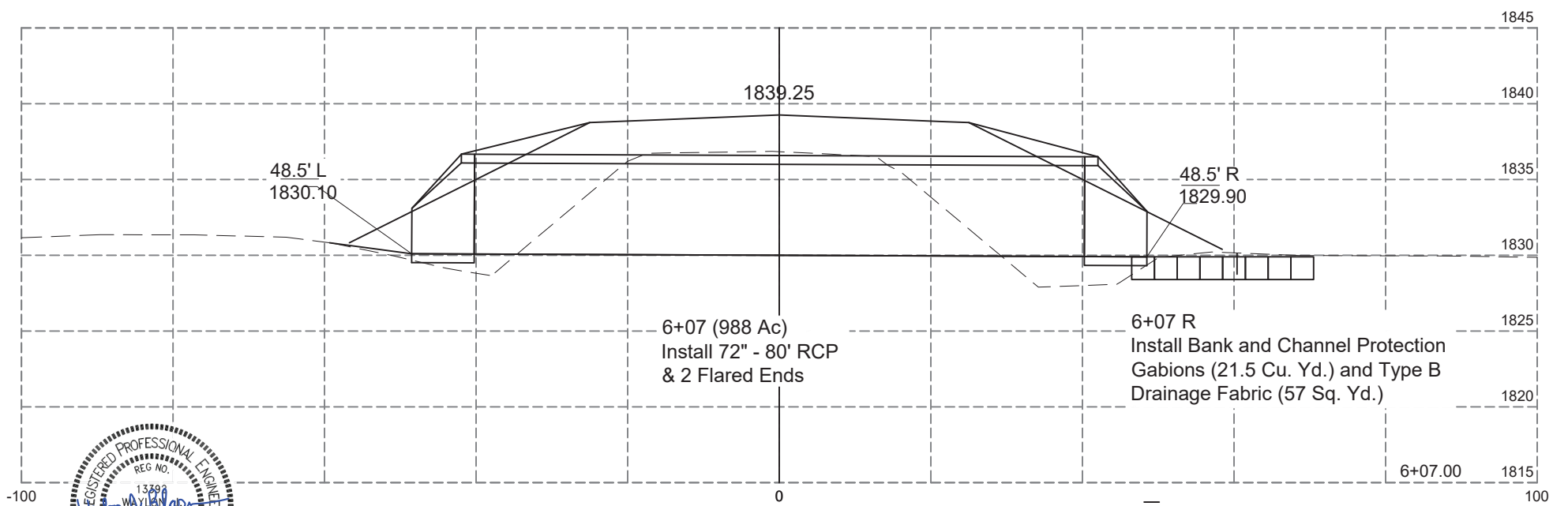
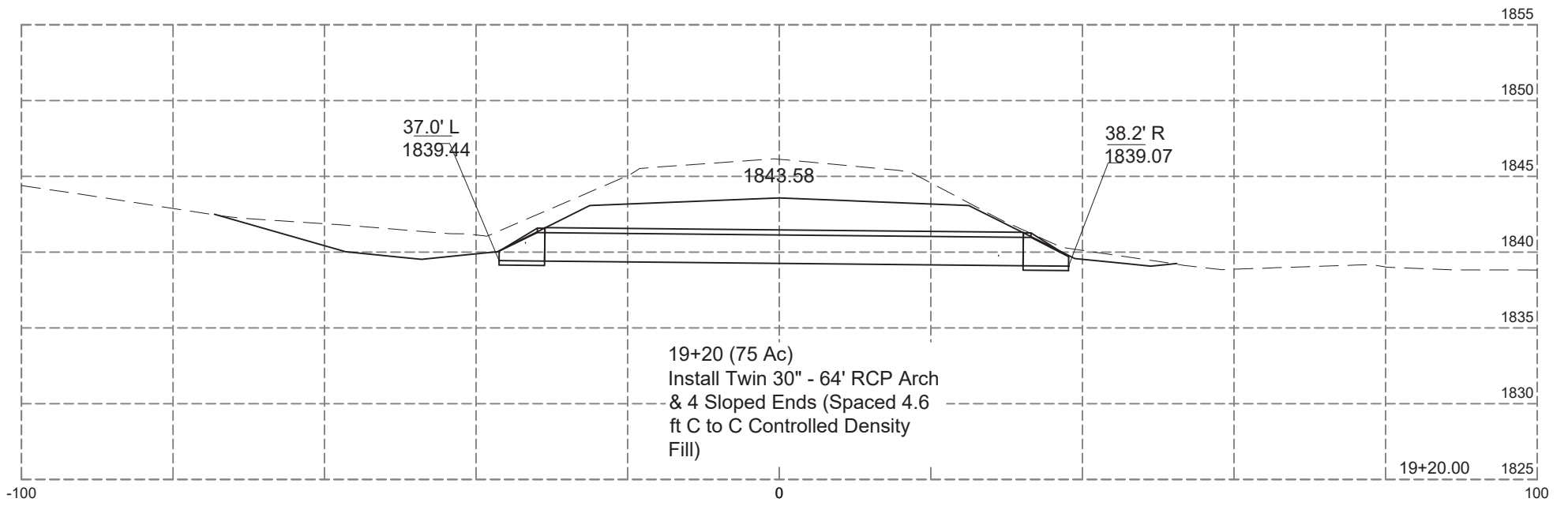
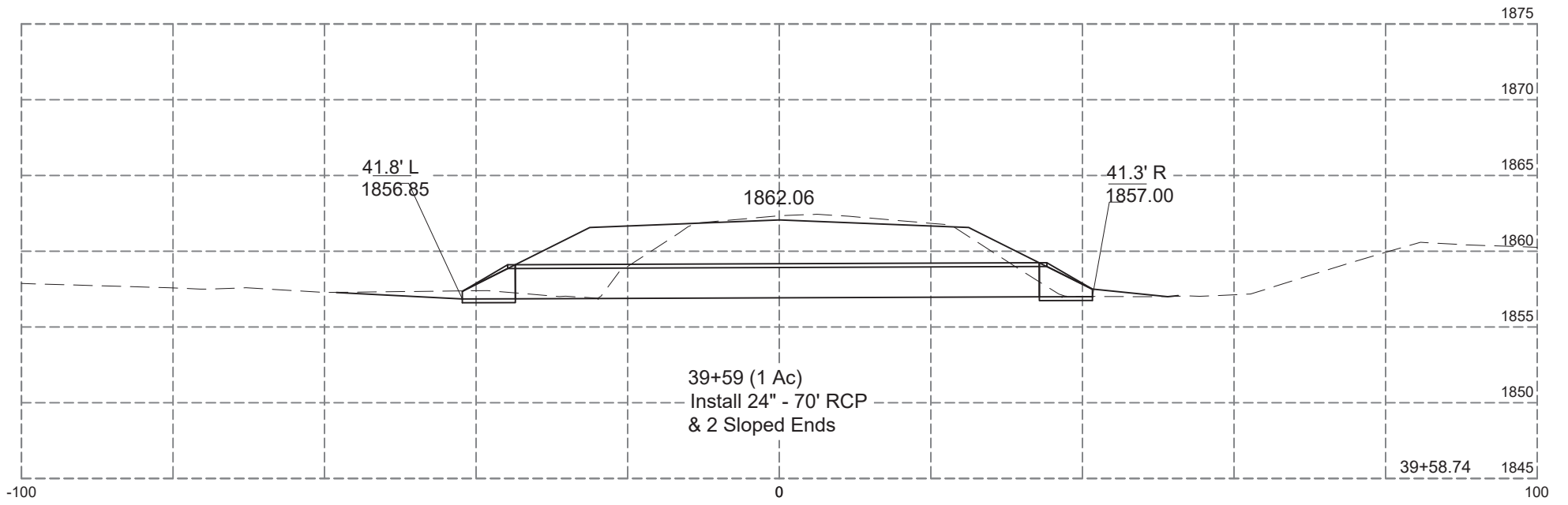


END P-PH-PT 0025(81)158
END GRADING AND INTERIM SURFACING
 Station 529+20



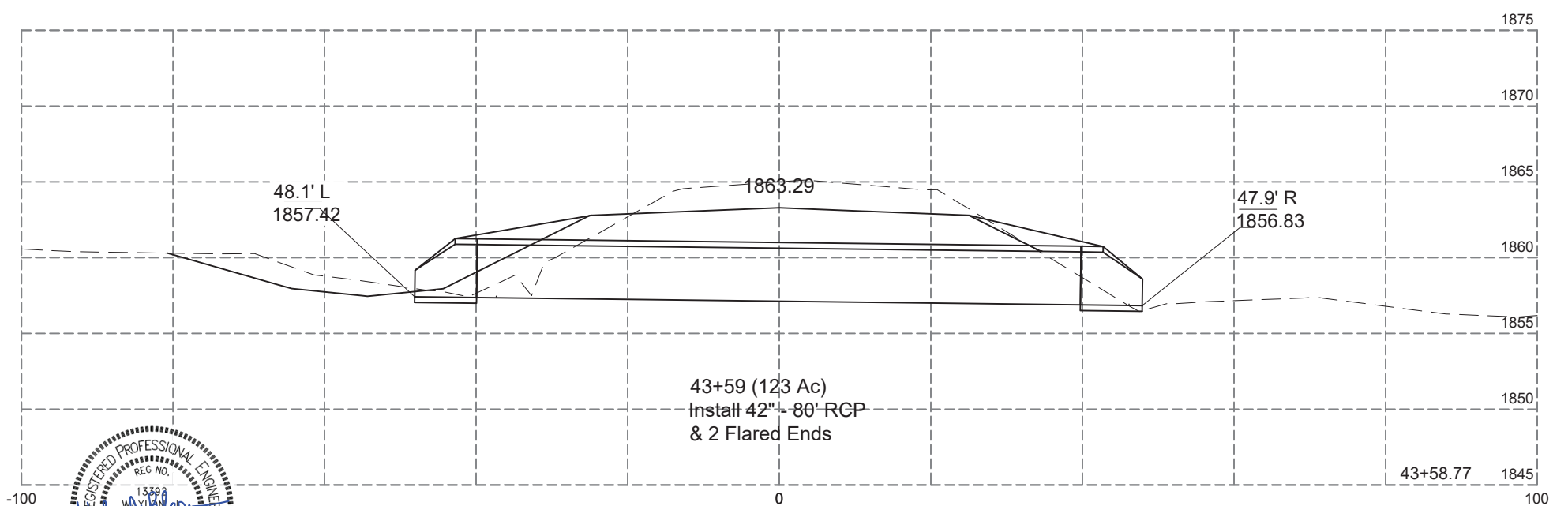
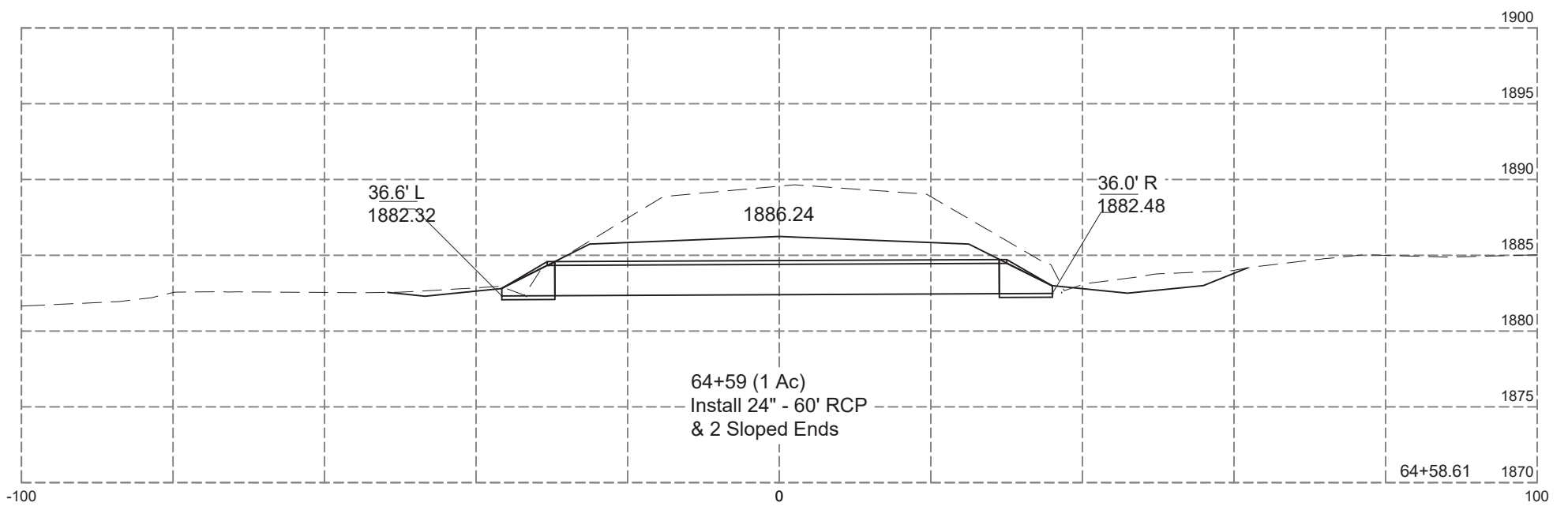
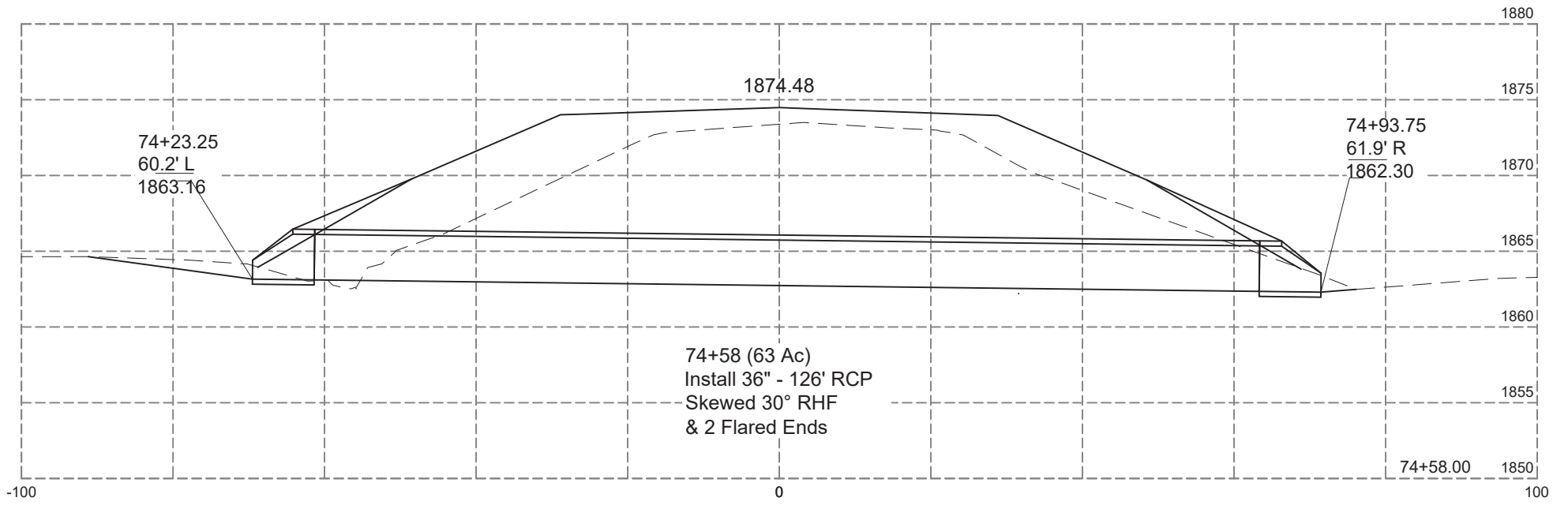
BEGIN P-PH-PT 0025(81)158
BEGIN GRADING AND INTERIM SURFACING
 Station 0+50





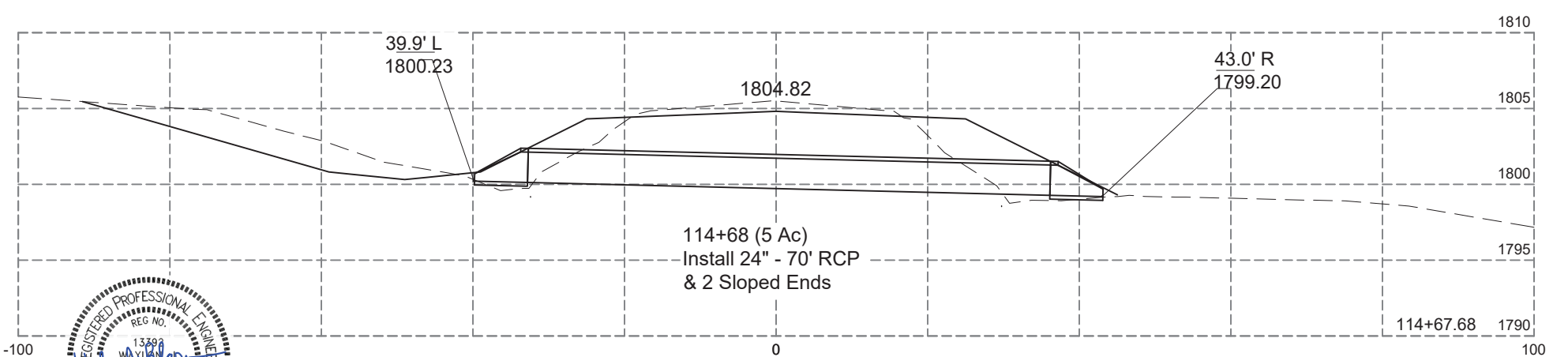
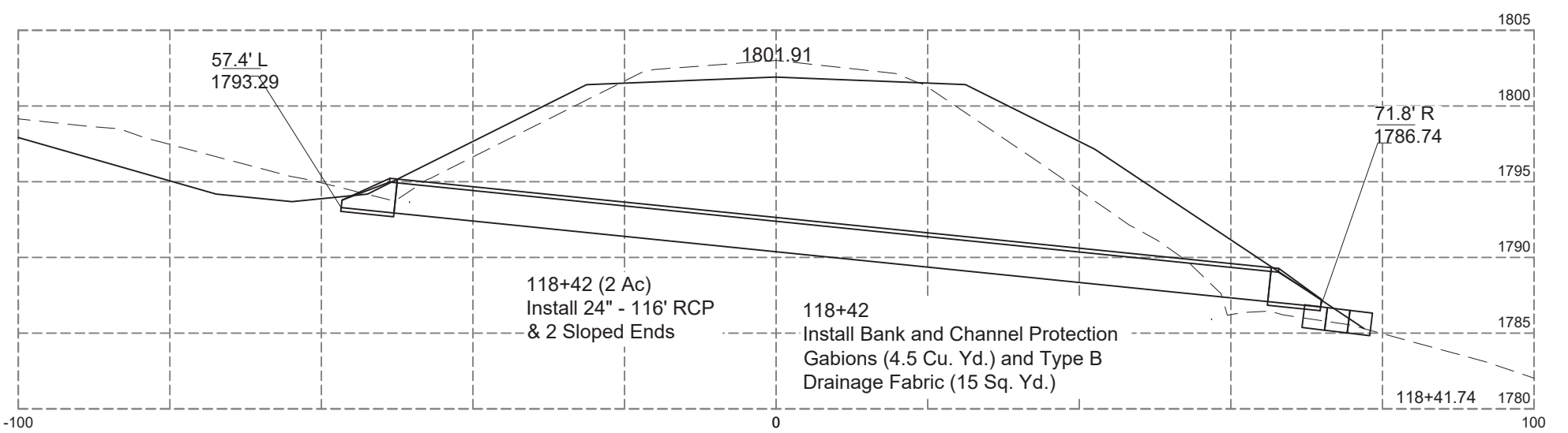
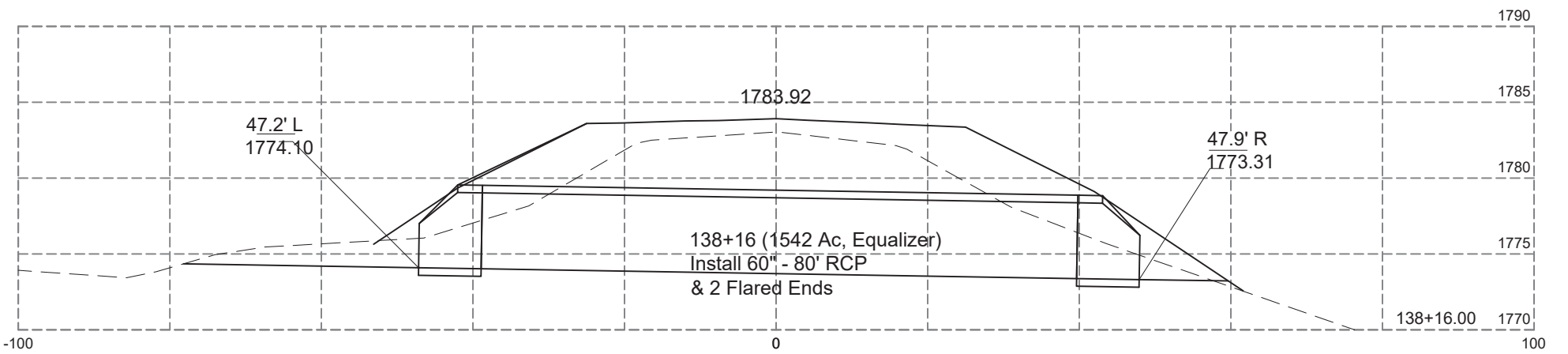
Plotting Date: 12-04-2024

STATE OF SOUTH DAKOTA	PROJECT	SHEET	TOTAL SHEETS
	P-PH-PT 0025(81)158	Z2	Z20



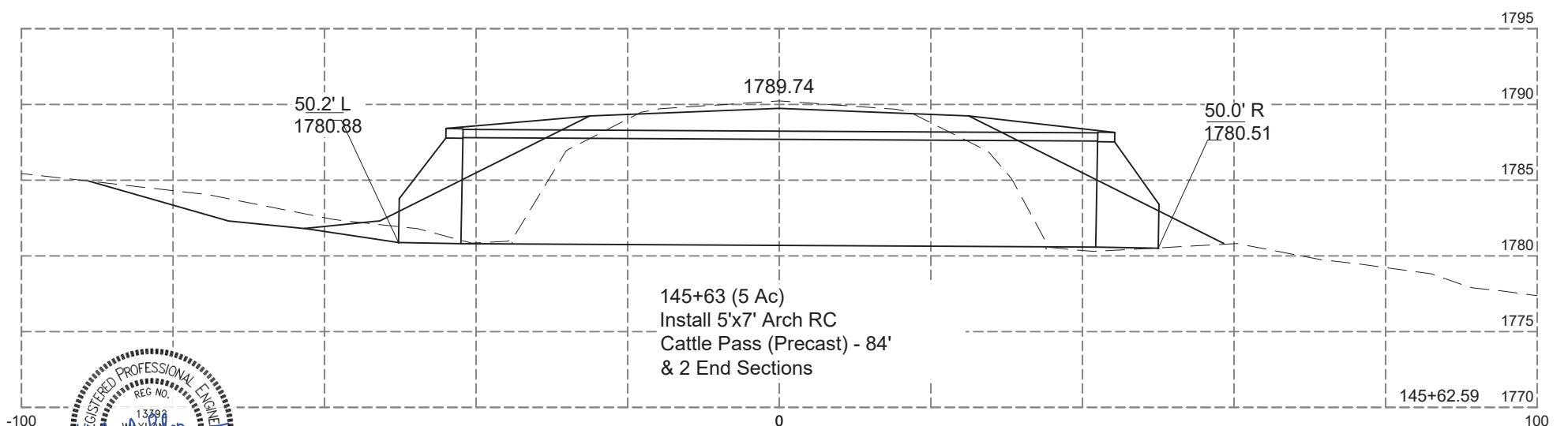
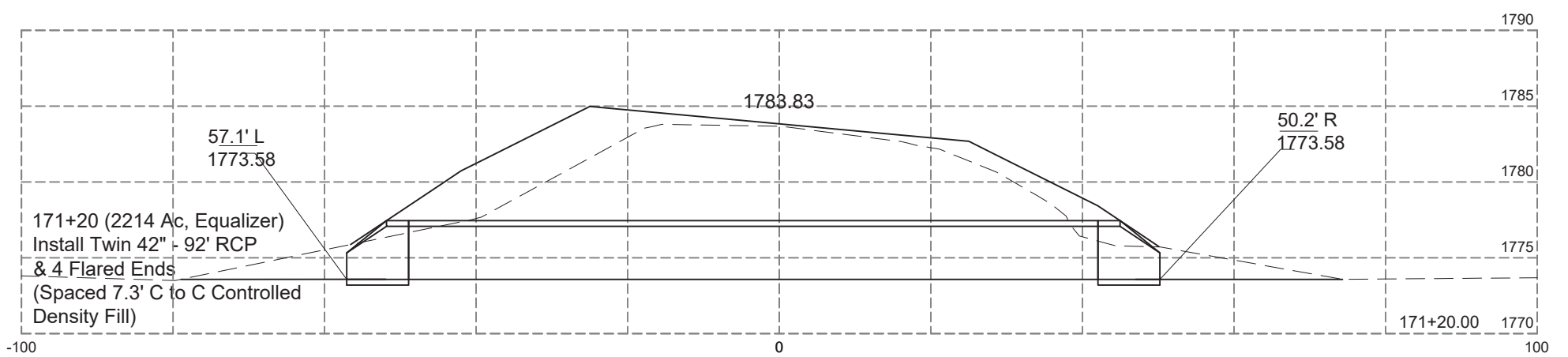
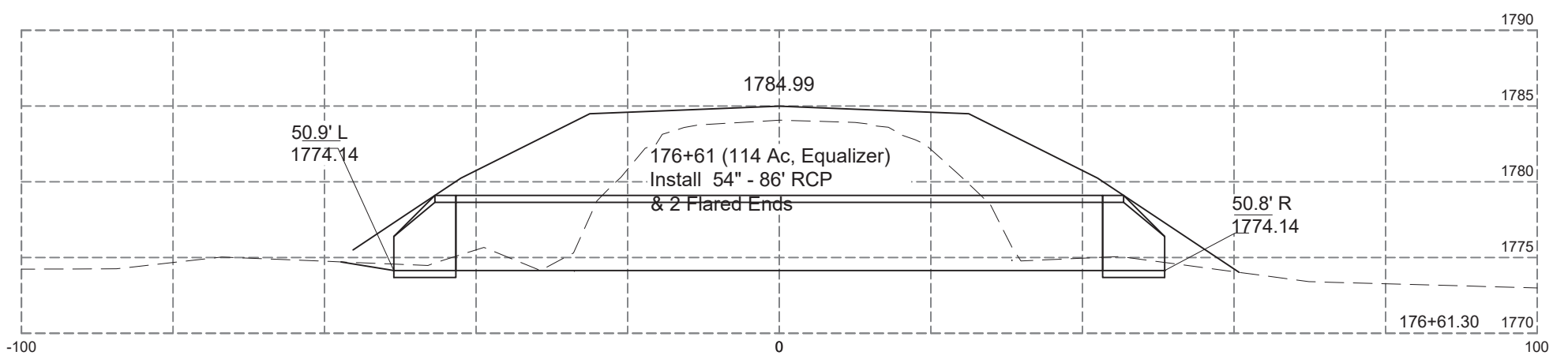
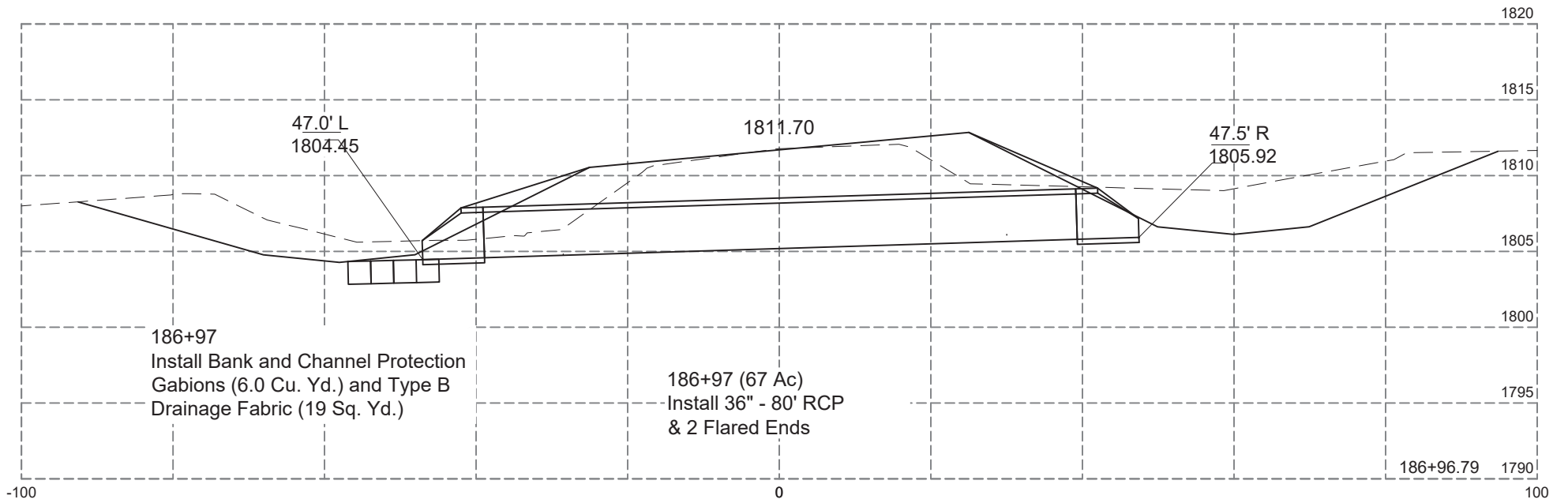
Plotting Date: 12-04-2024

STATE OF SOUTH DAKOTA	PROJECT	SHEET	TOTAL SHEETS
	P-PH-PT 0025(81)158	Z3	Z20



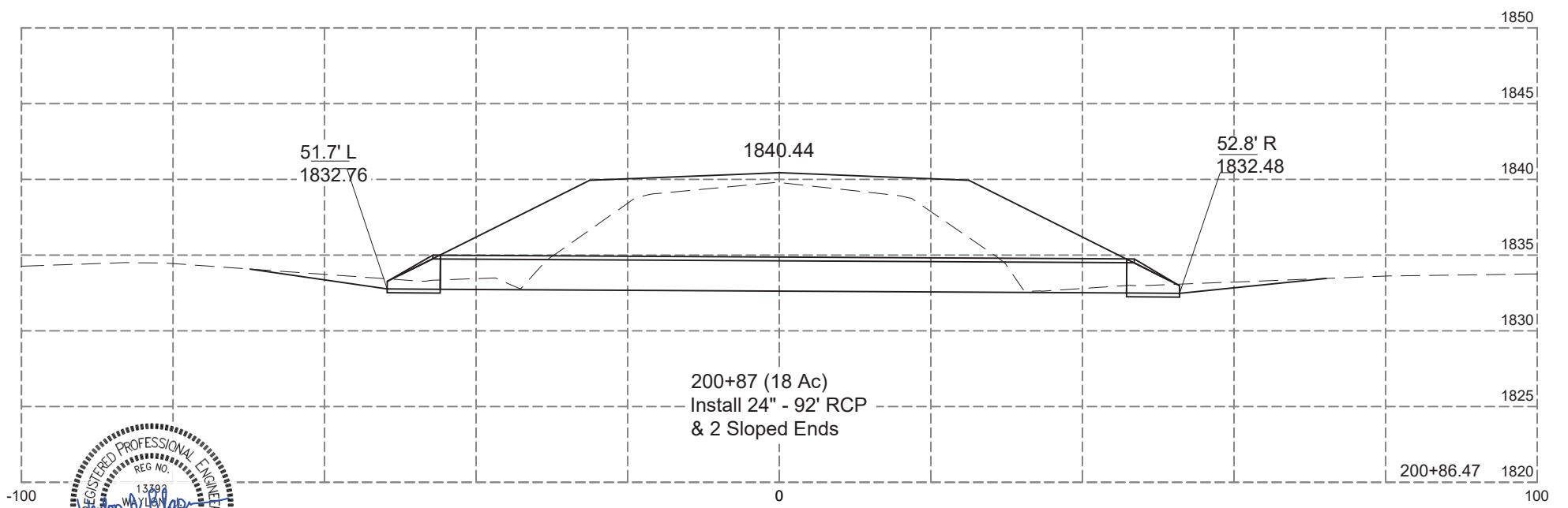
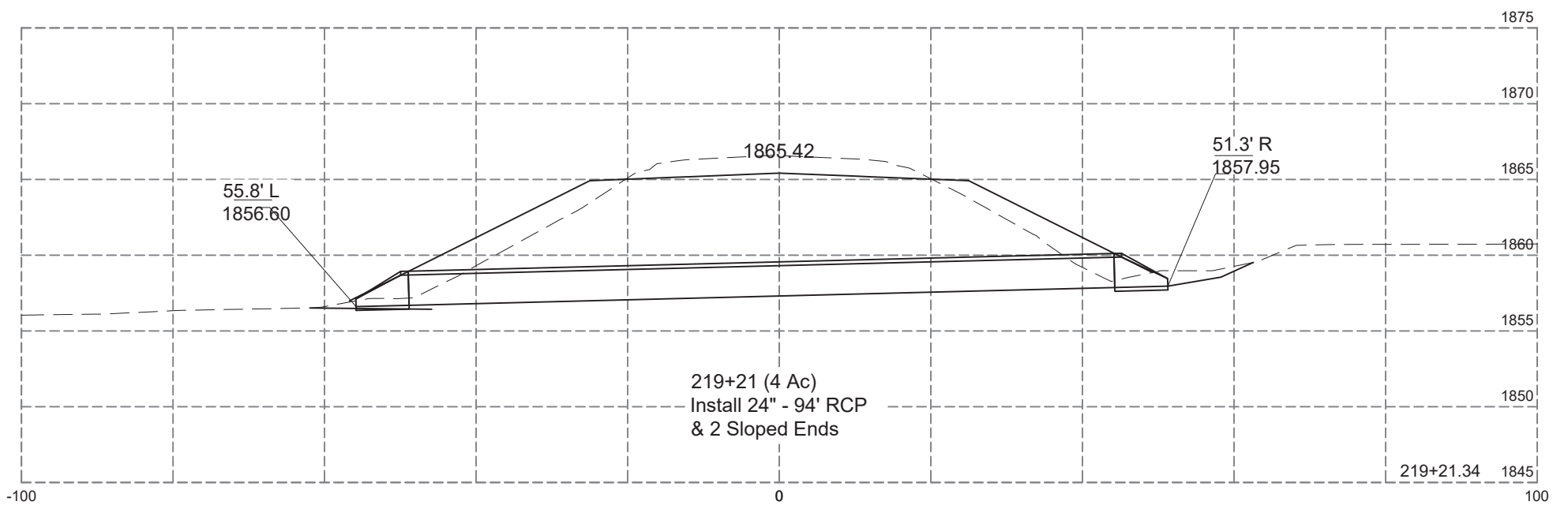
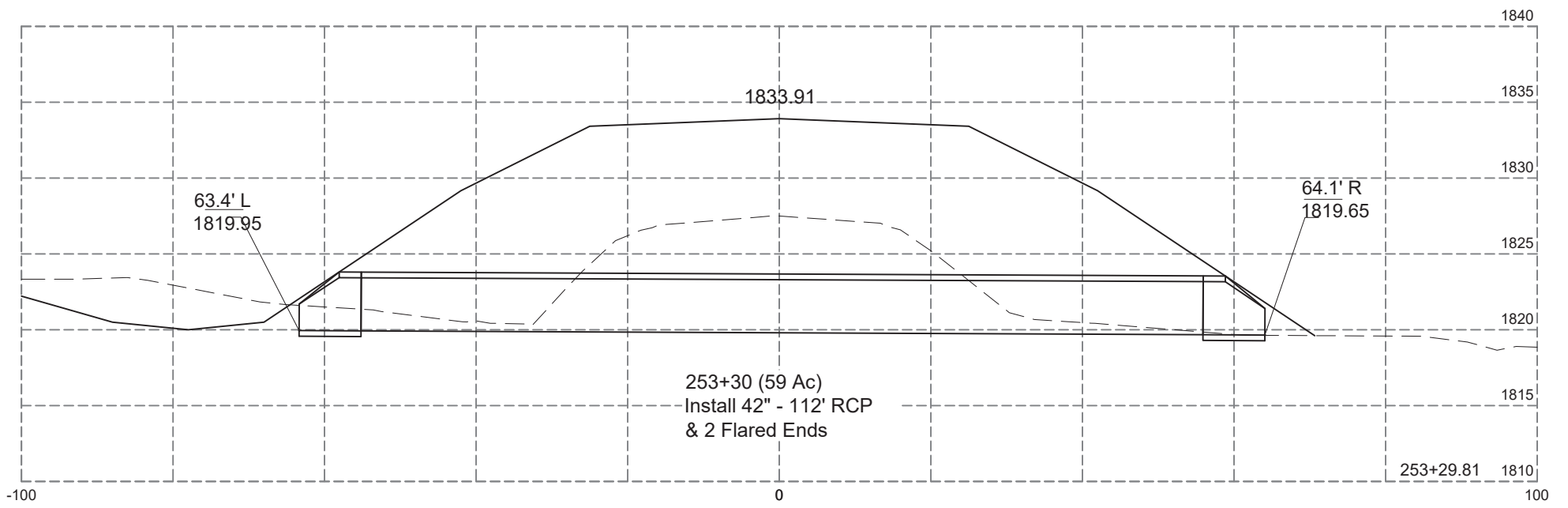
Plotting Date: 12-04-2024

STATE OF SOUTH DAKOTA	PROJECT	SHEET	TOTAL SHEETS
	P-PH-PT 0025(81)158	Z5	Z20



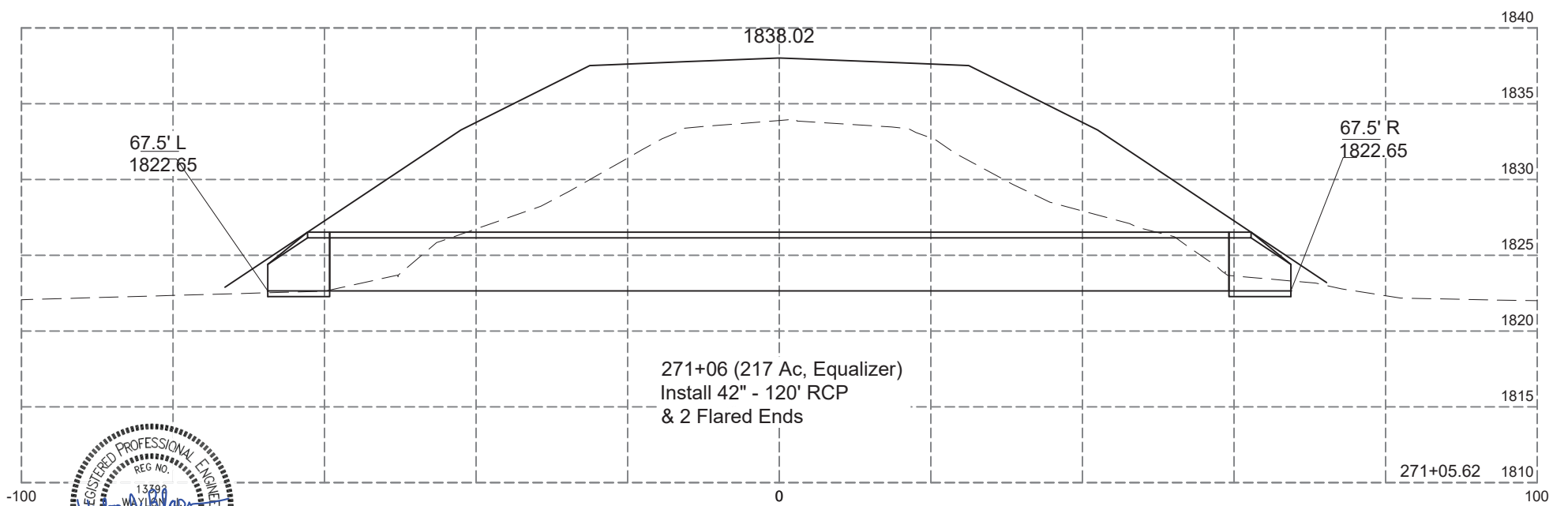
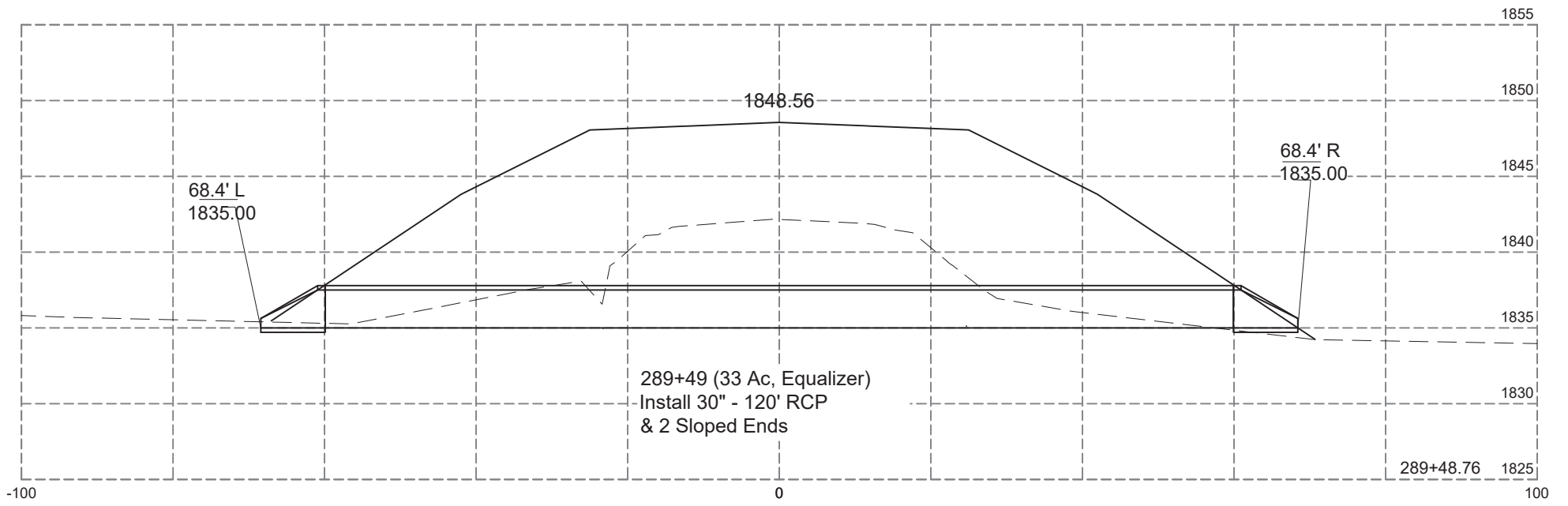
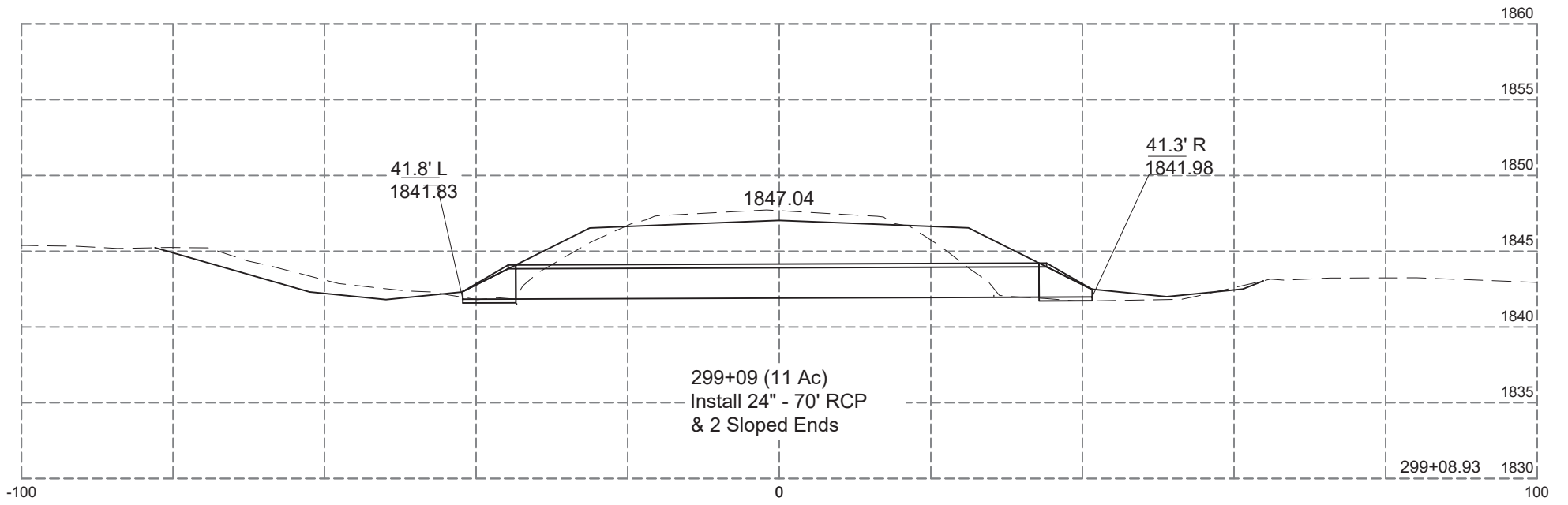
Plotting Date: 12-04-2024

STATE OF SOUTH DAKOTA	PROJECT	SHEET	TOTAL SHEETS
	P-PH-PT 0025(81)158	Z6	Z20



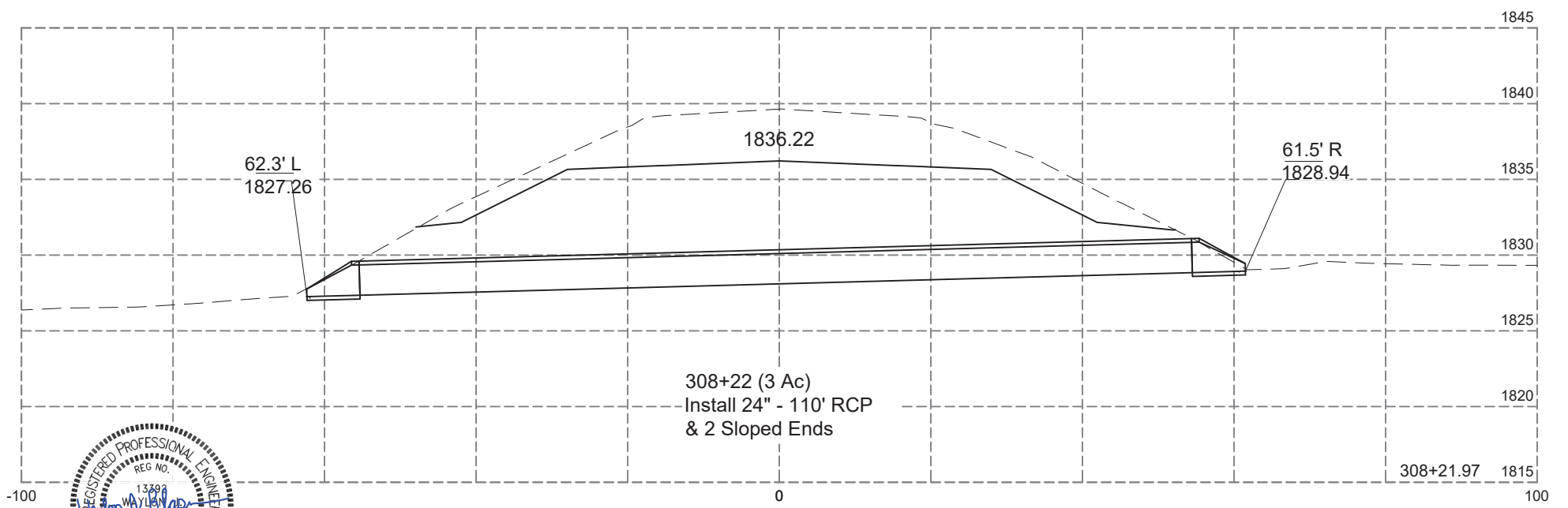
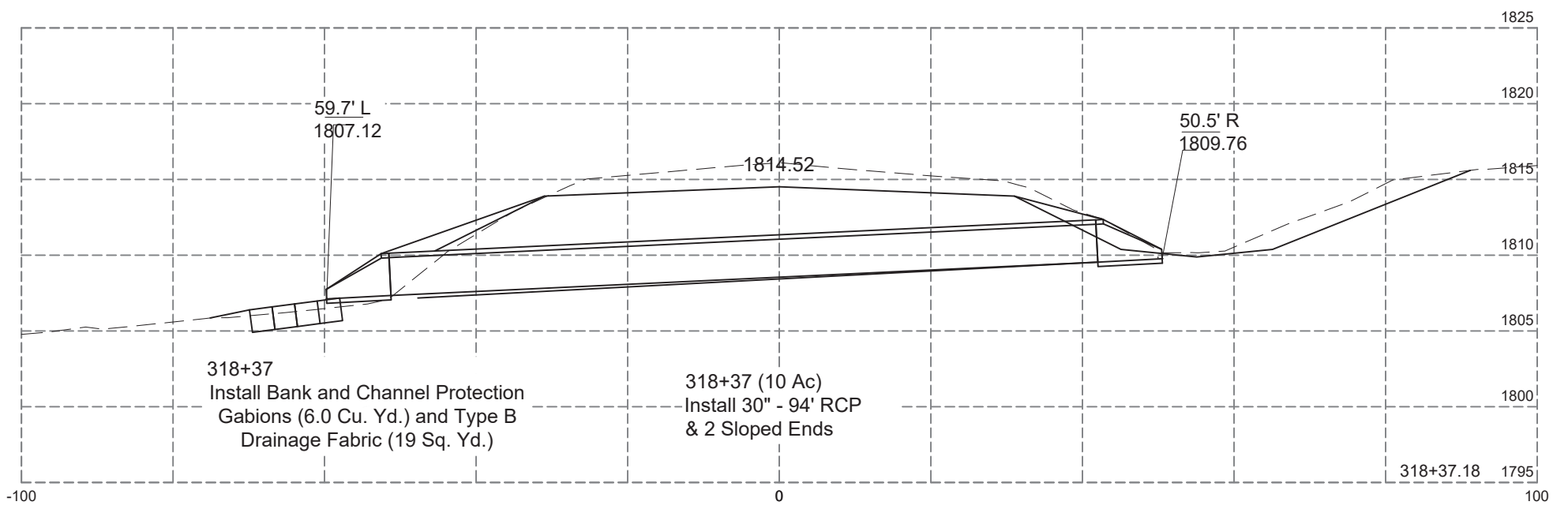
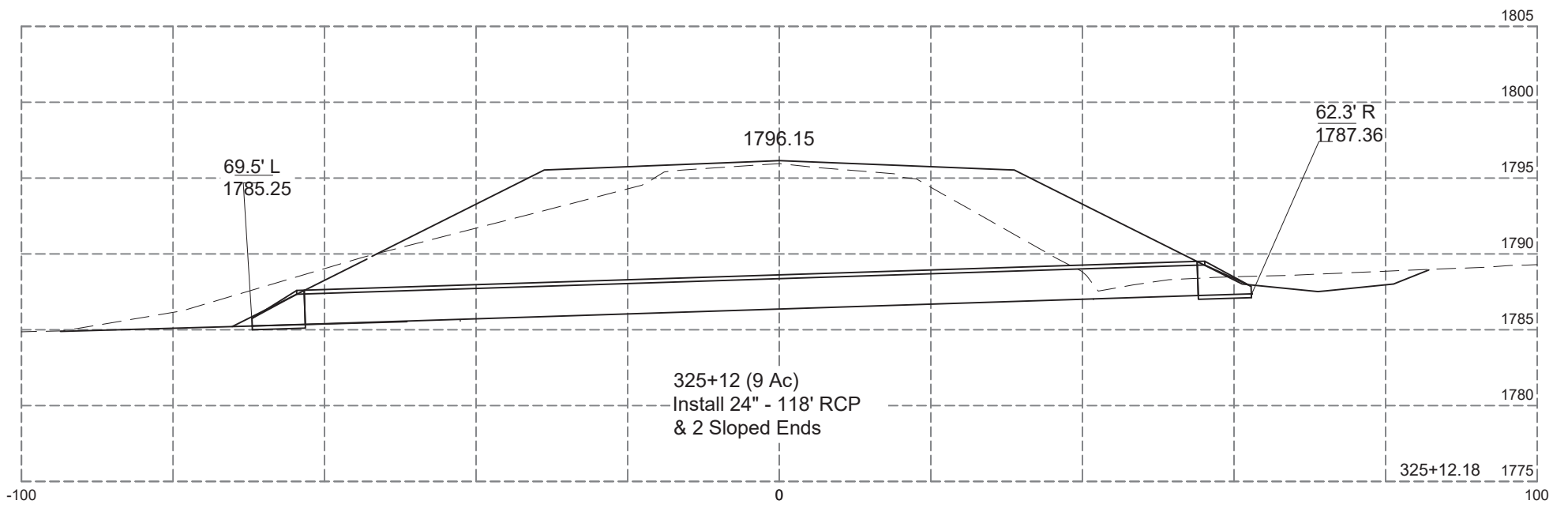
Plotting Date: 12-04-2024

STATE OF SOUTH DAKOTA	PROJECT	SHEET	TOTAL SHEETS
	P-PH-PT 0025(81)158	Z7	Z20



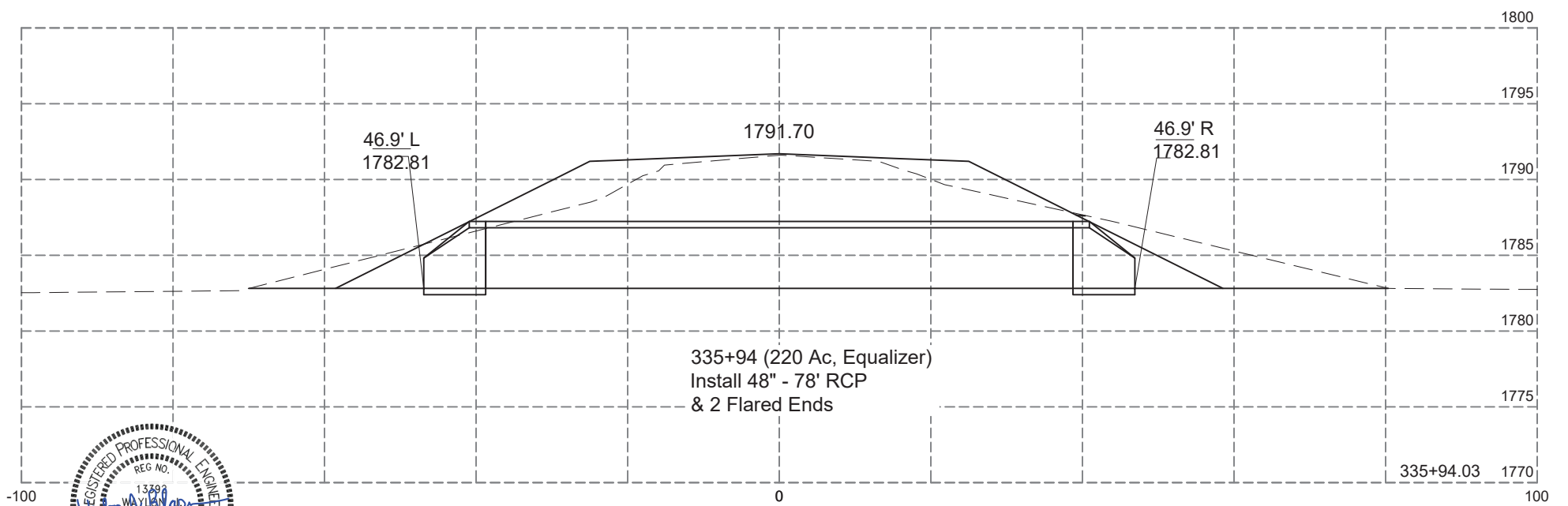
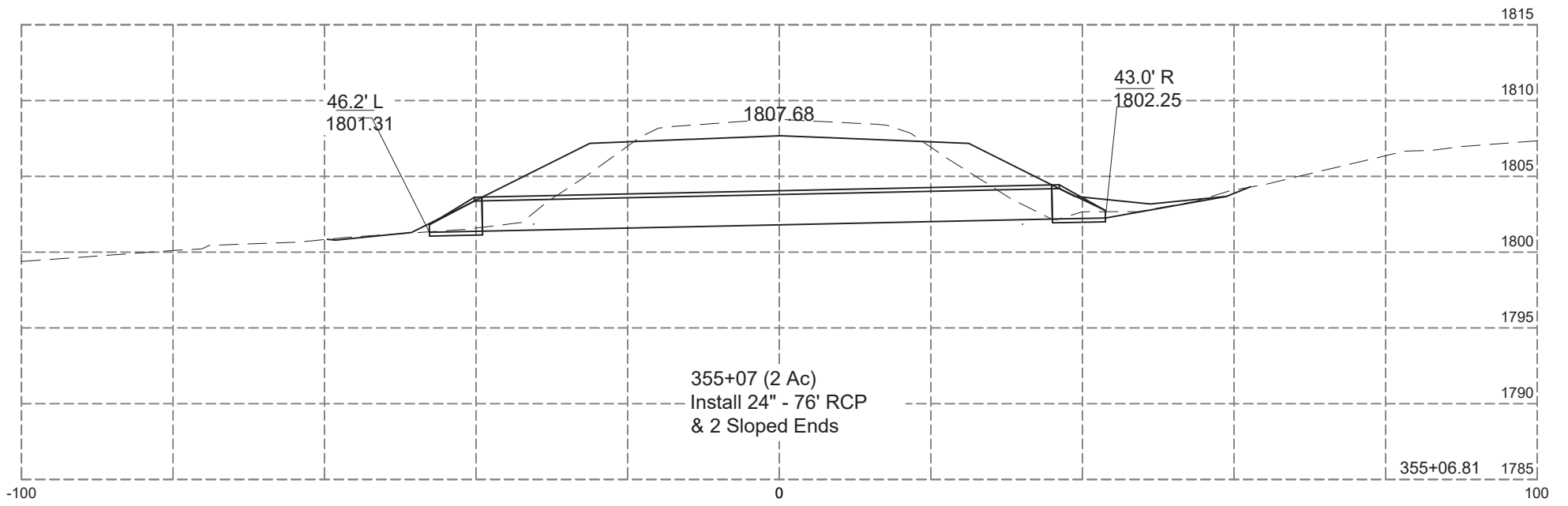
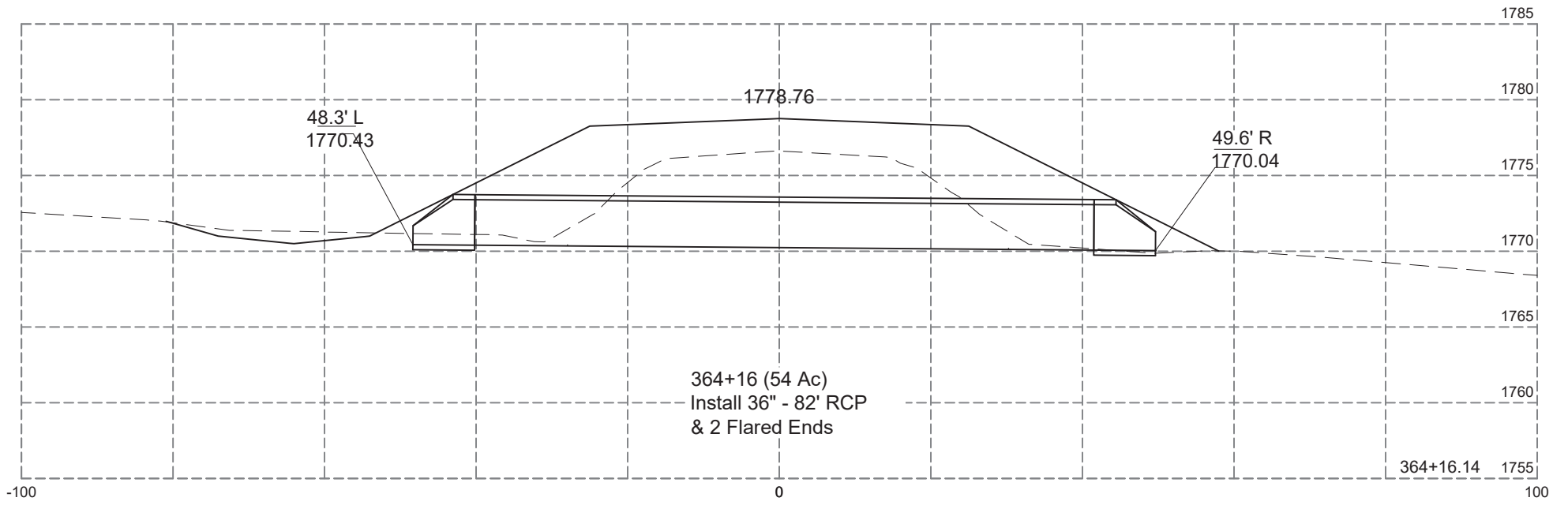
Plotting Date: 12-04-2024

STATE OF SOUTH DAKOTA	PROJECT	SHEET	TOTAL SHEETS
	P-PH-PT 0025(81)158	Z8	Z20



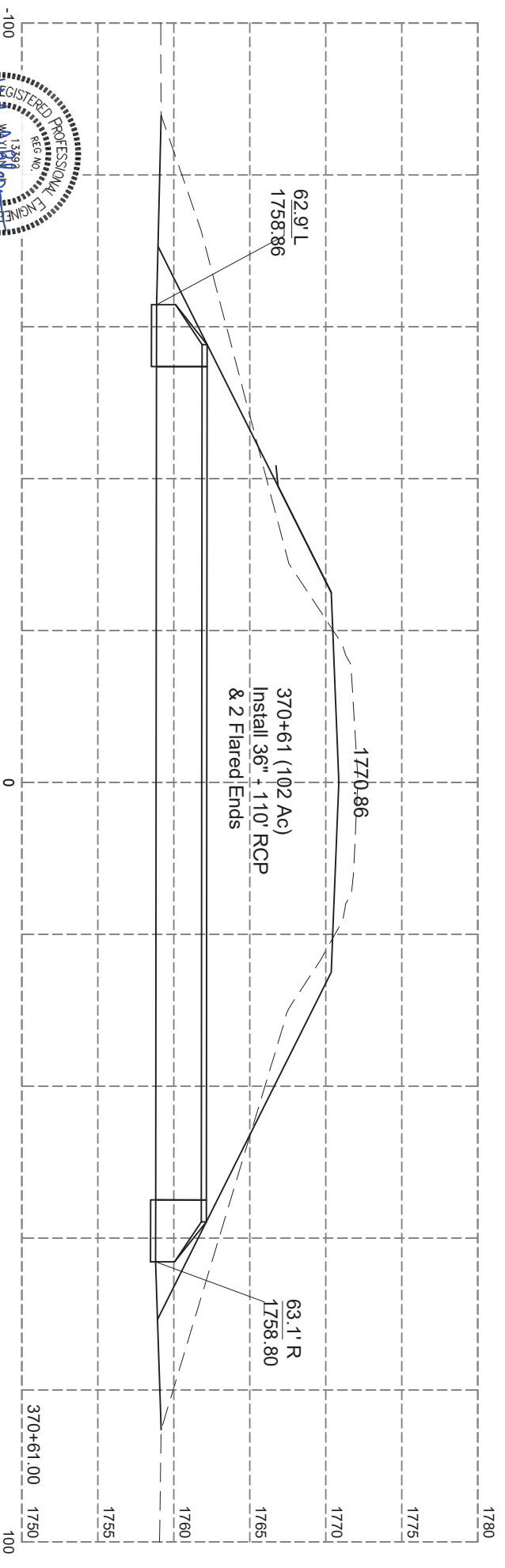
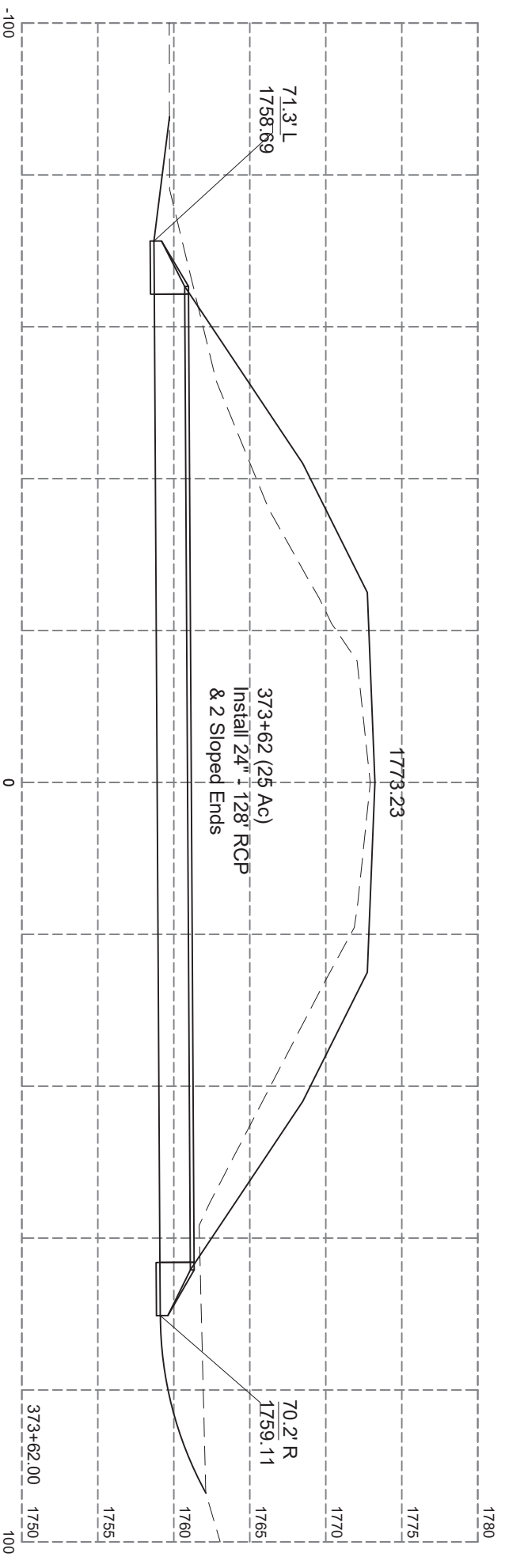
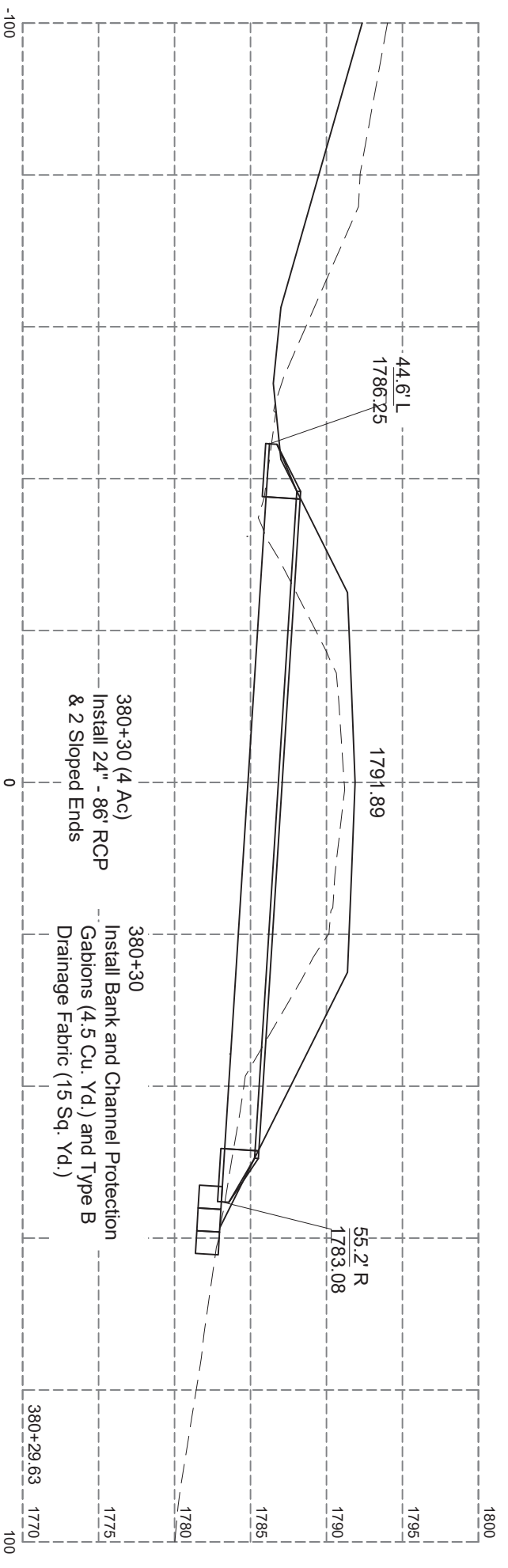
Plotting Date: 12-04-2024

STATE OF SOUTH DAKOTA	PROJECT	SHEET	TOTAL SHEETS
	P-PH-PT 0025(81)158	Z9	Z20



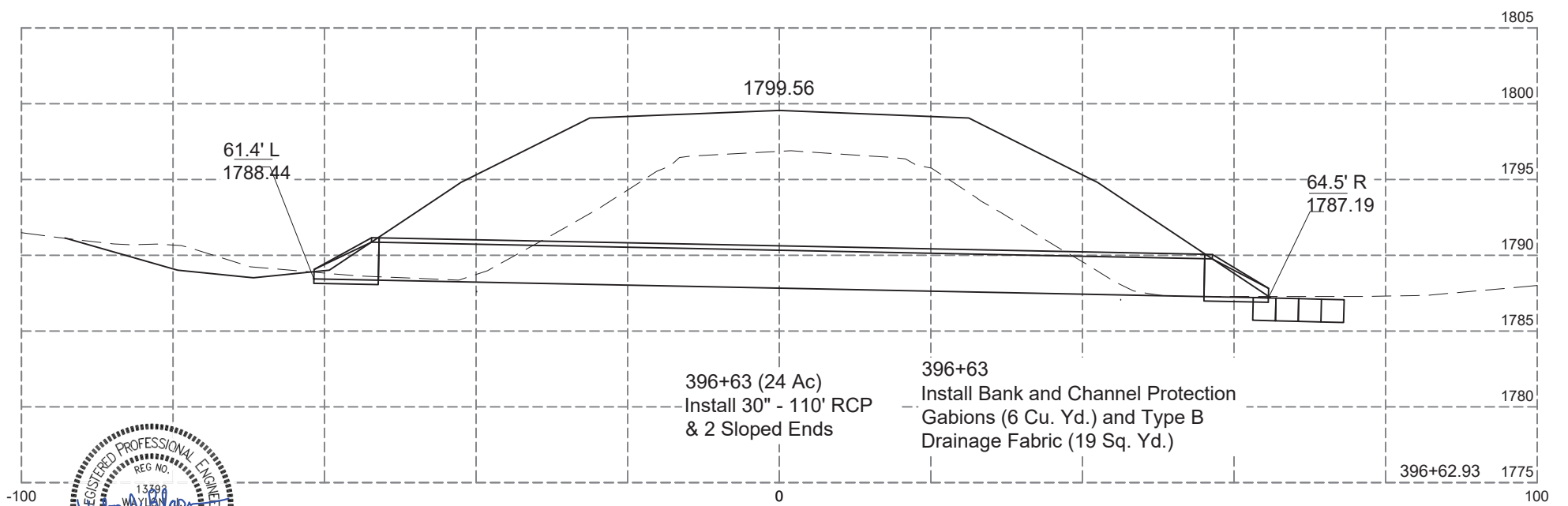
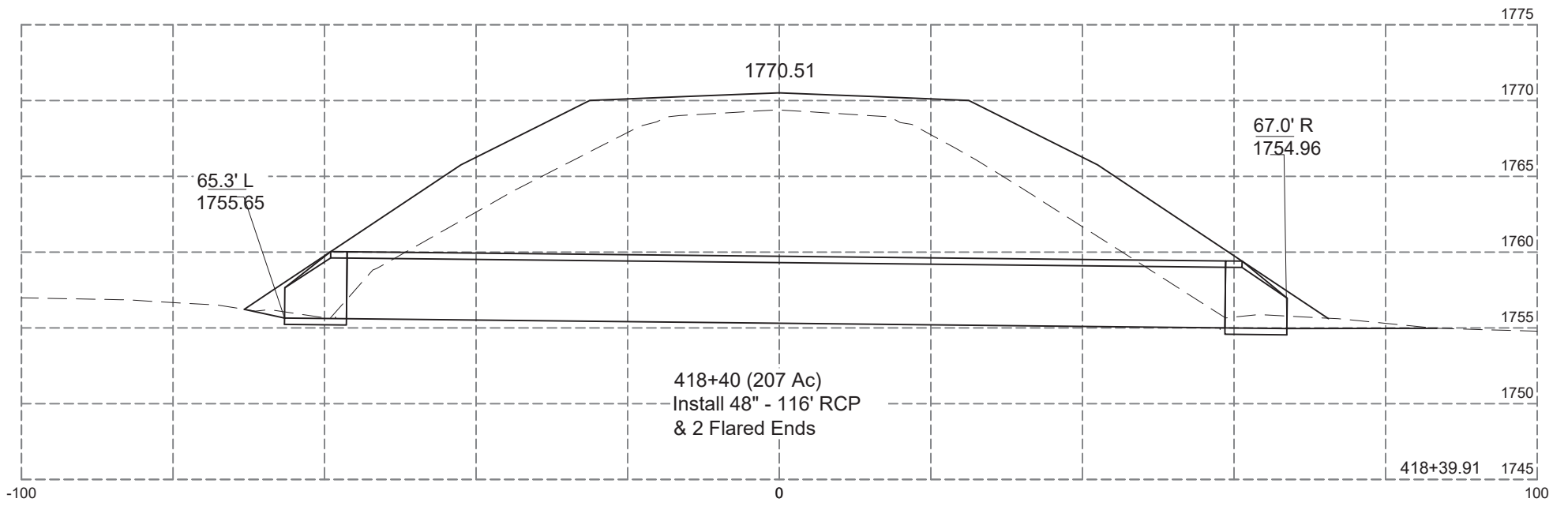
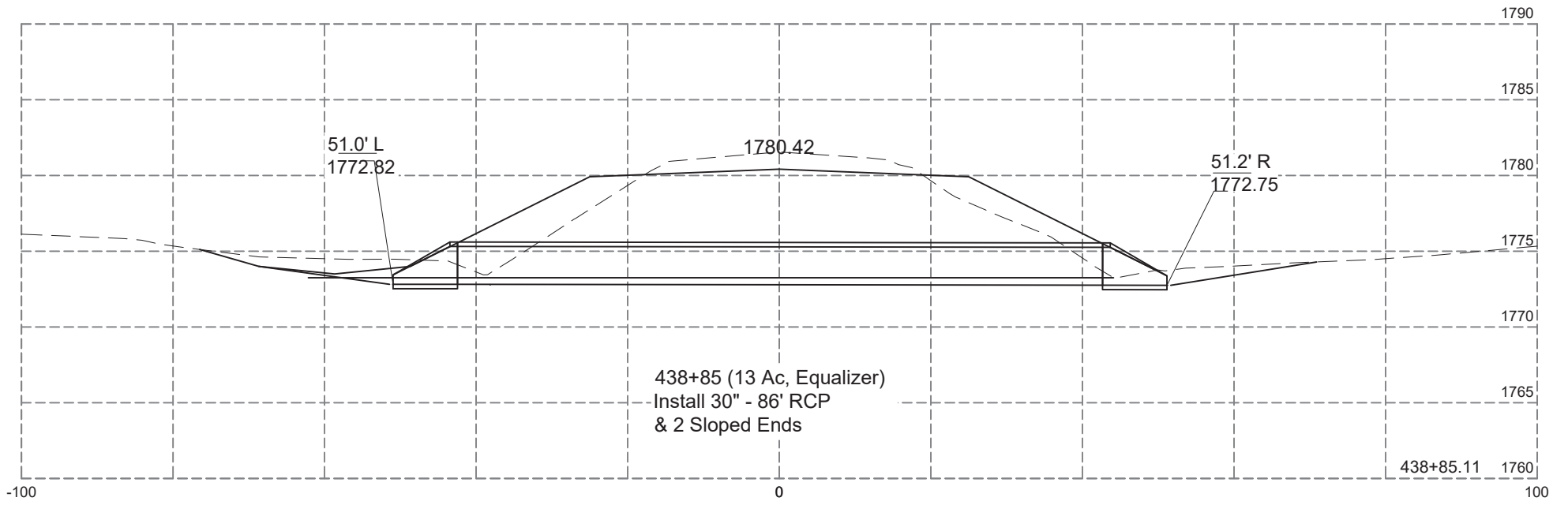
Plotting Date: 12-04-2024

STATE OF SOUTH DAKOTA	PROJECT	SHEET	TOTAL SHEETS
	P-PH-PT 0025(81)158	Z10	Z20



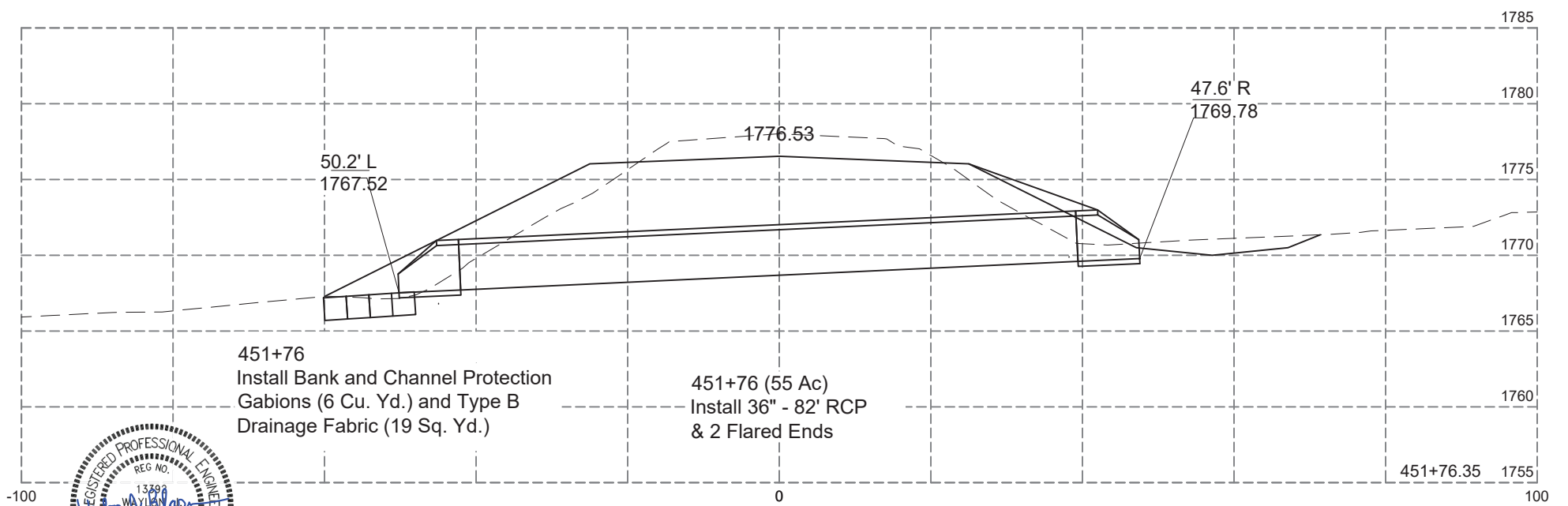
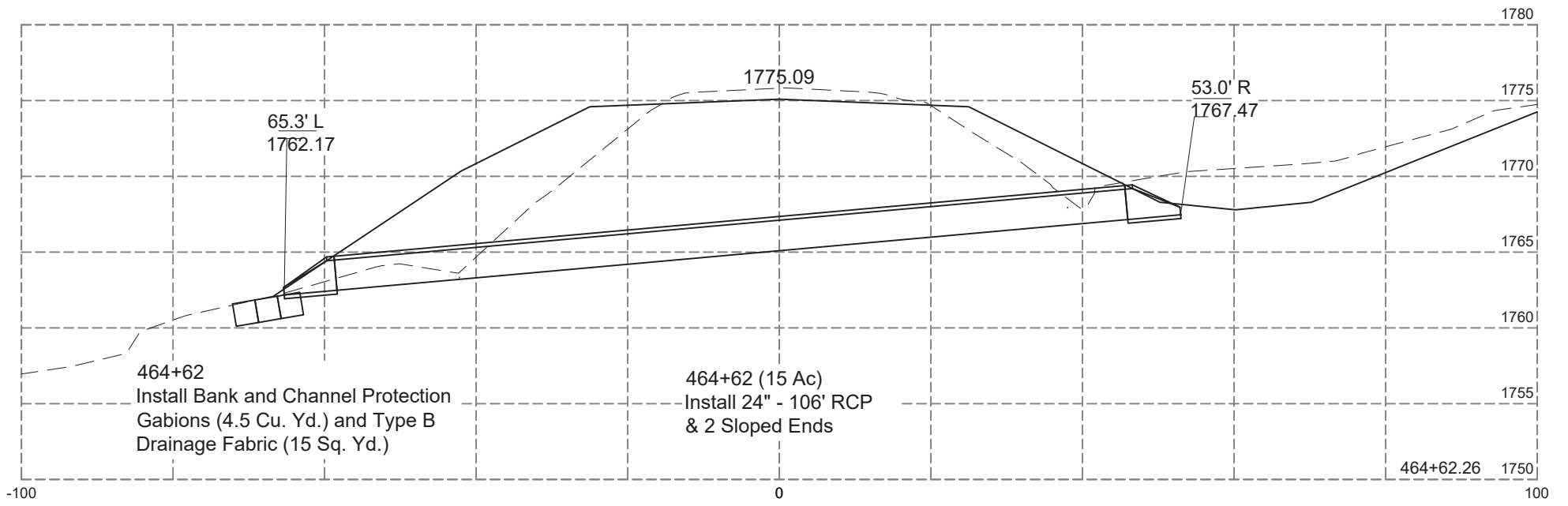
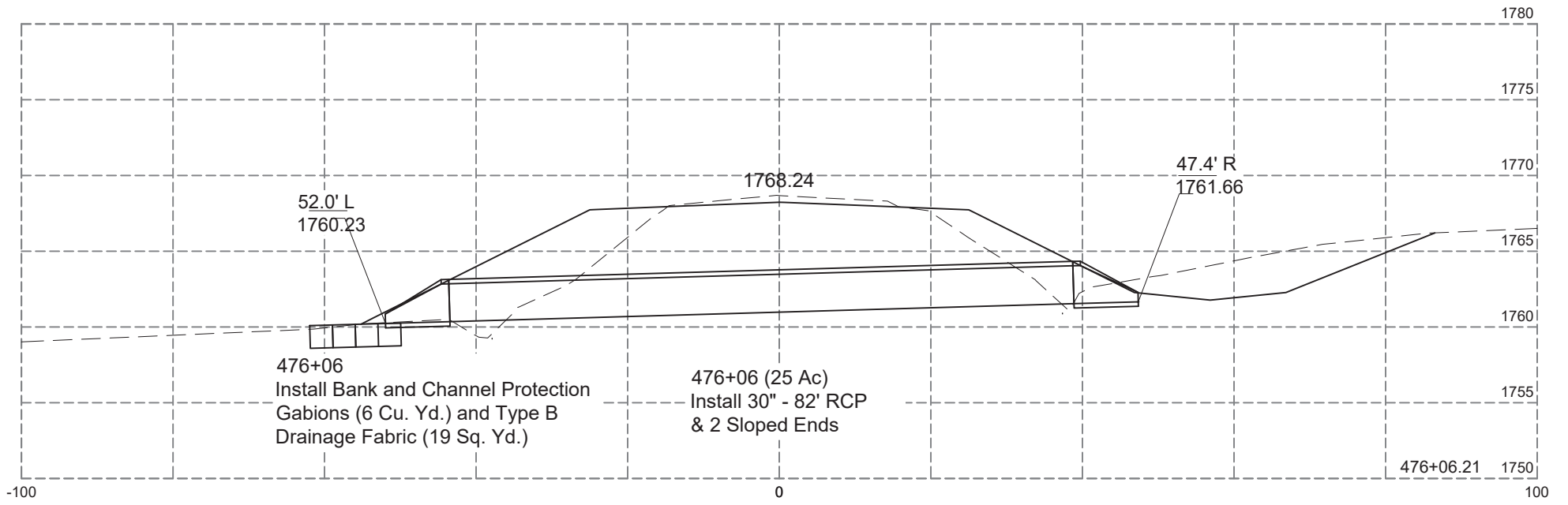
Plotting Date: 12-04-2024

STATE OF SOUTH DAKOTA	PROJECT	SHEET	TOTAL SHEETS
	P-PH-PT 0025(81)158	Z11	Z20



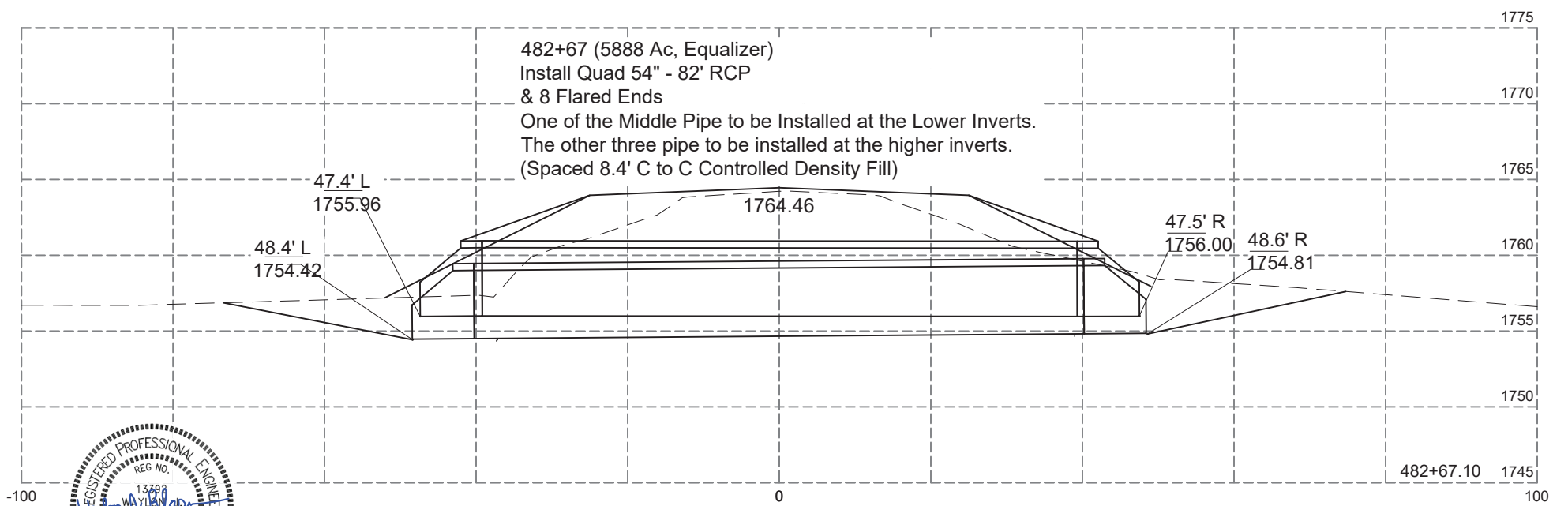
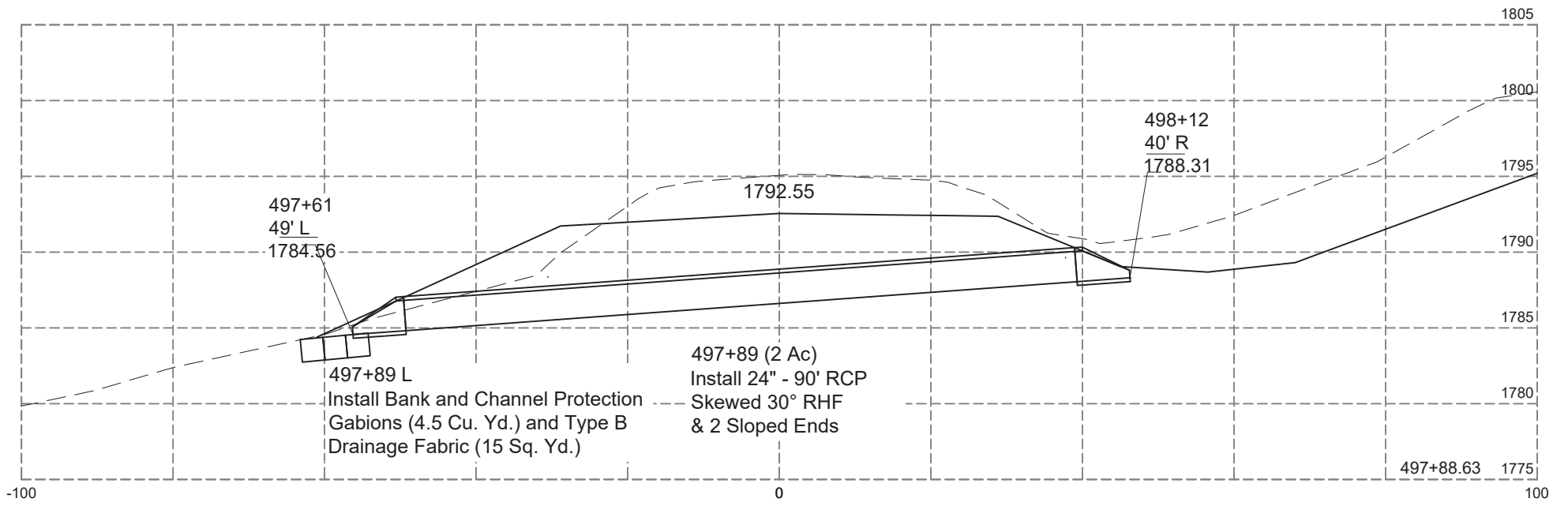
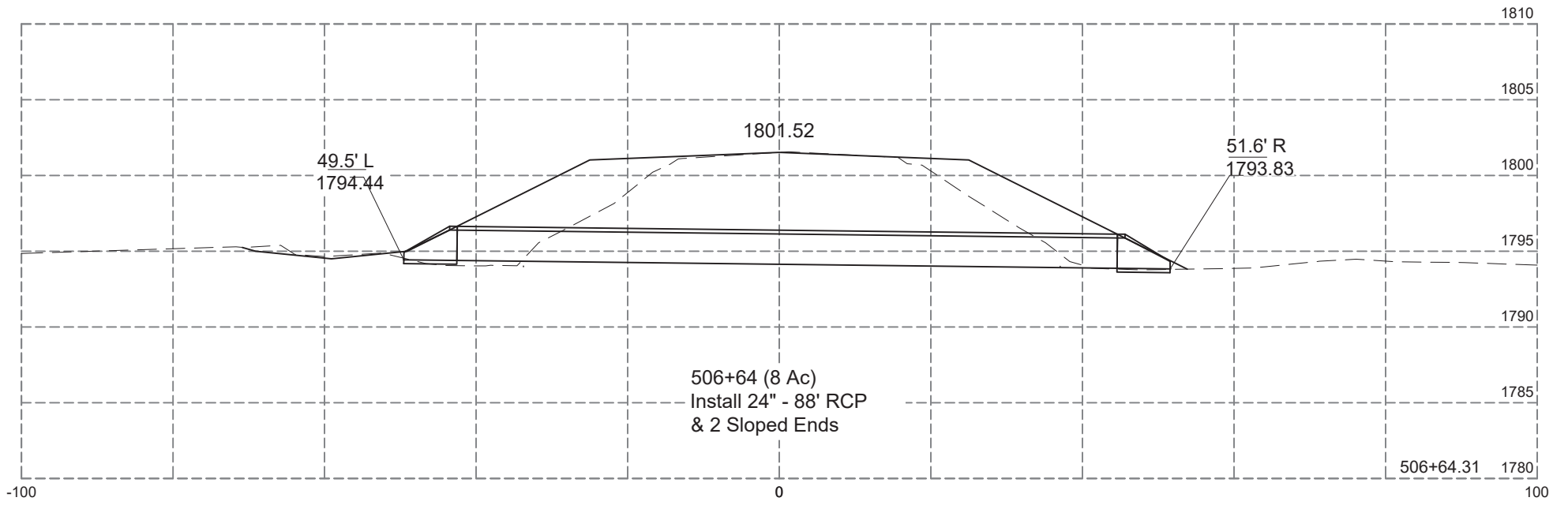
Plotting Date: 12-04-2024

STATE OF SOUTH DAKOTA	PROJECT	SHEET	TOTAL SHEETS
	P-PH-PT 0025(81)158	Z12	Z20



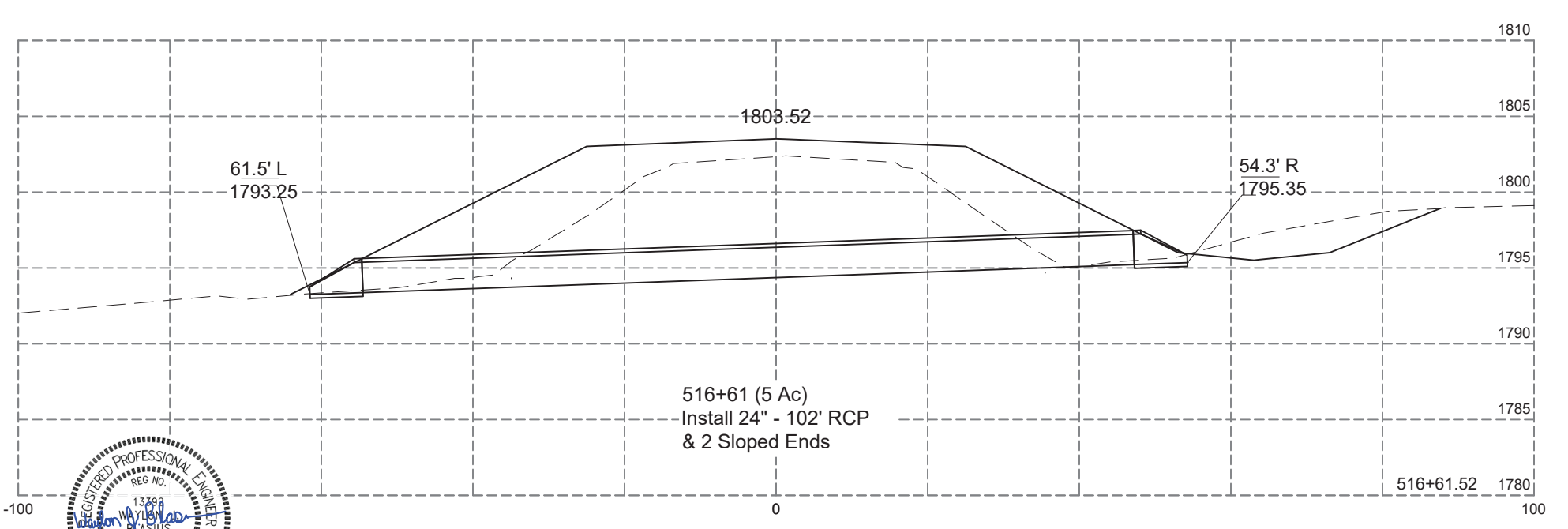
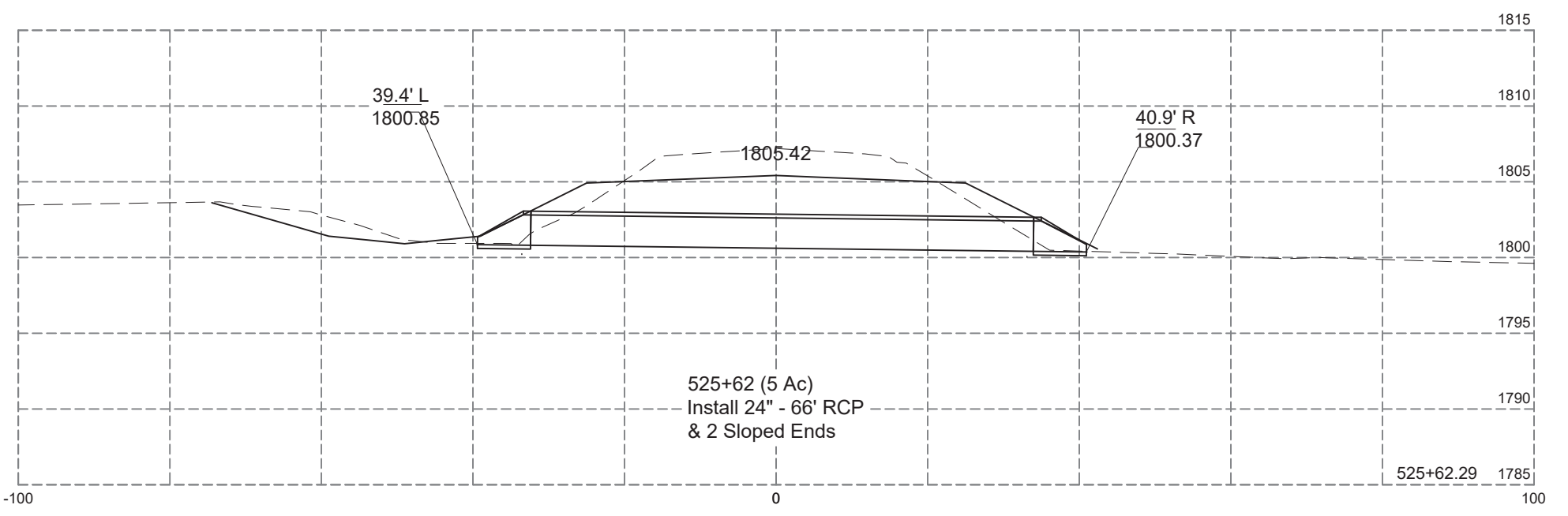
Plotting Date: 12-04-2024

STATE OF SOUTH DAKOTA	PROJECT	SHEET	TOTAL SHEETS
	P-PH-PT 0025(81)158	Z13	Z20



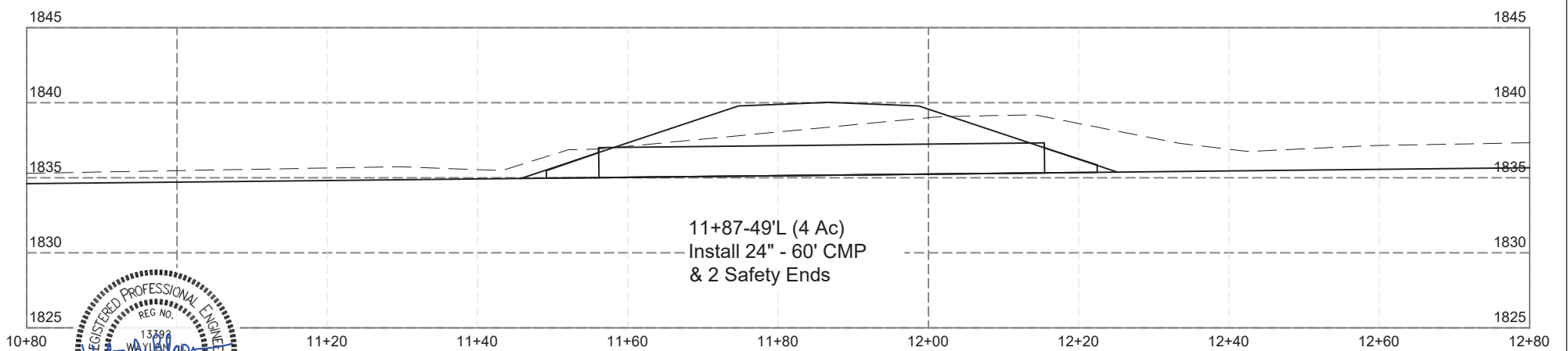
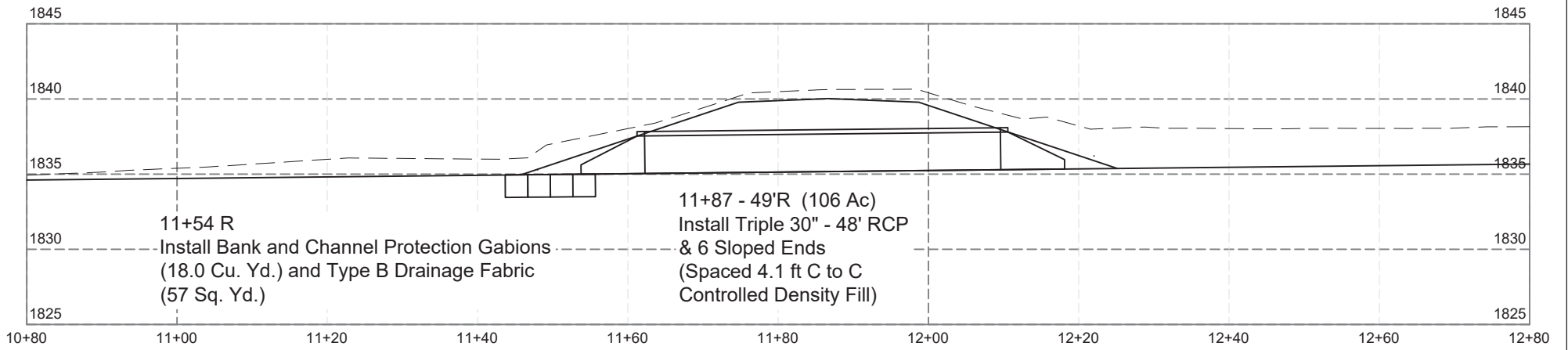
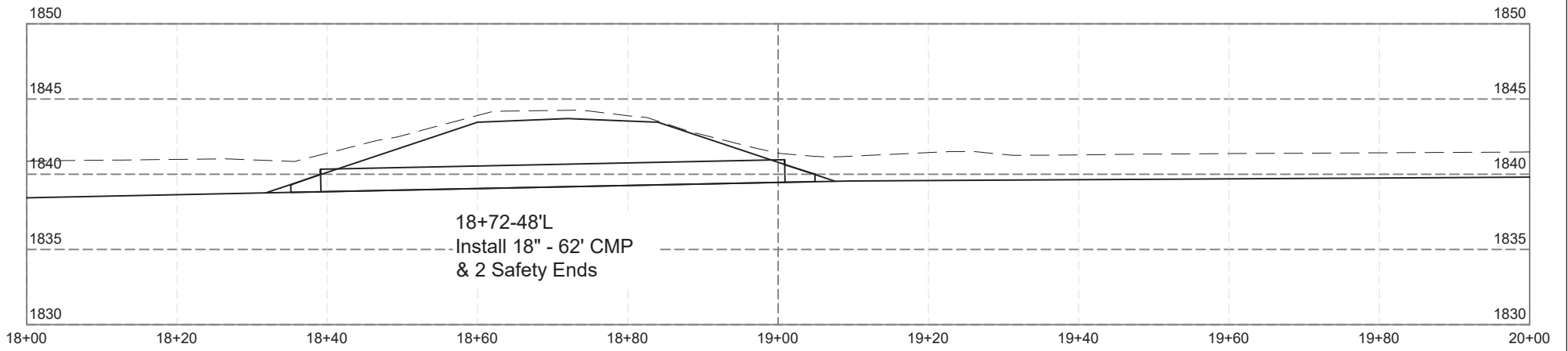
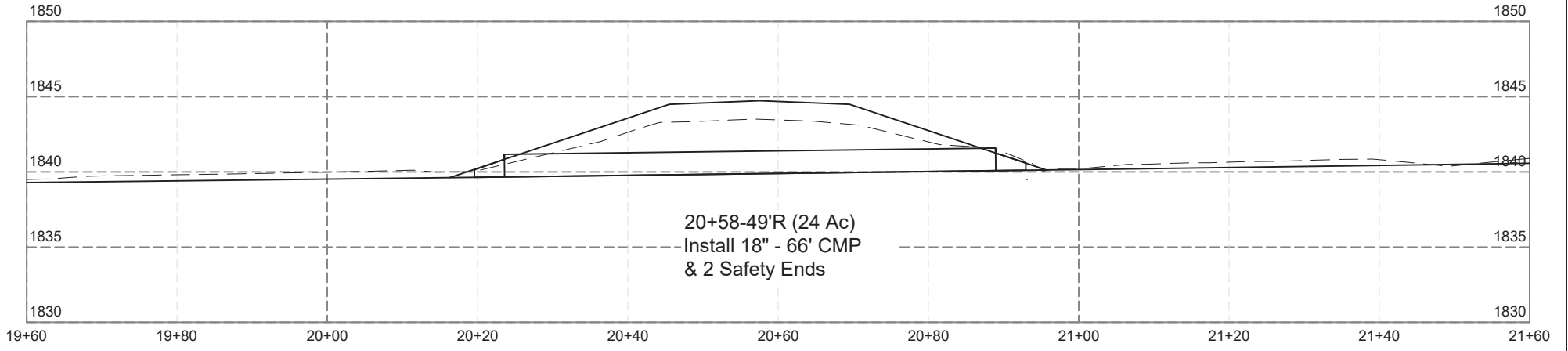
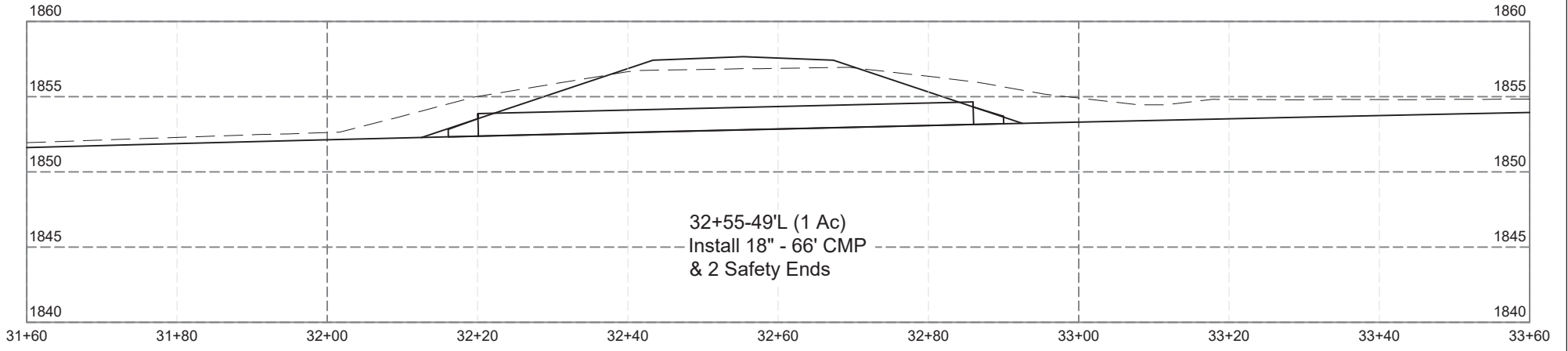
Plotting Date: 12-04-2024

STATE OF SOUTH DAKOTA	PROJECT	SHEET	TOTAL SHEETS
	P-PH-PT 0025(81)158	Z14	Z20



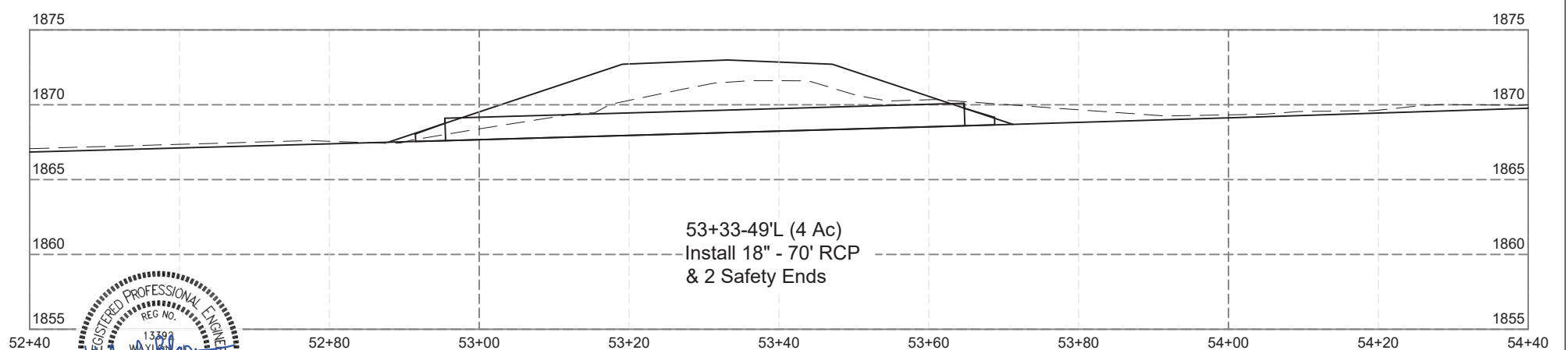
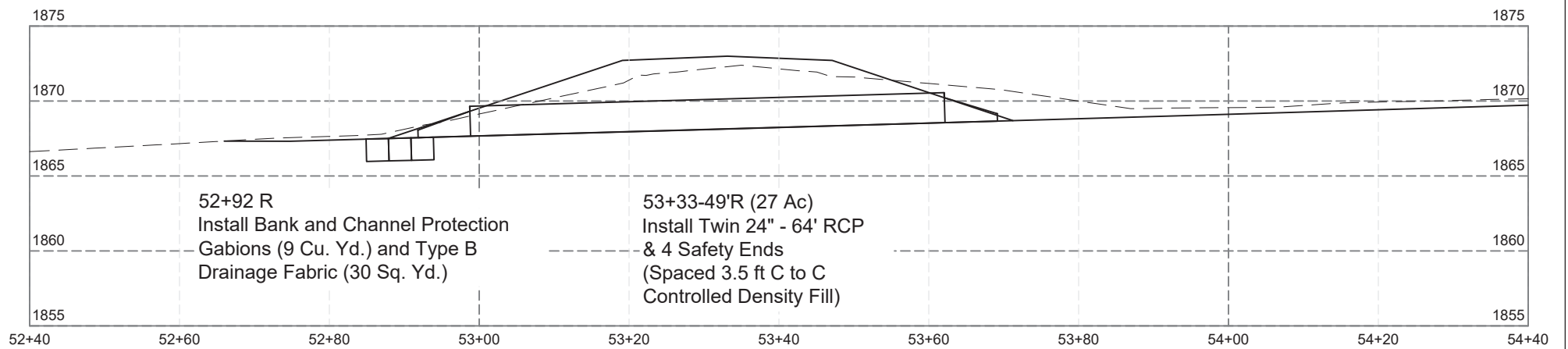
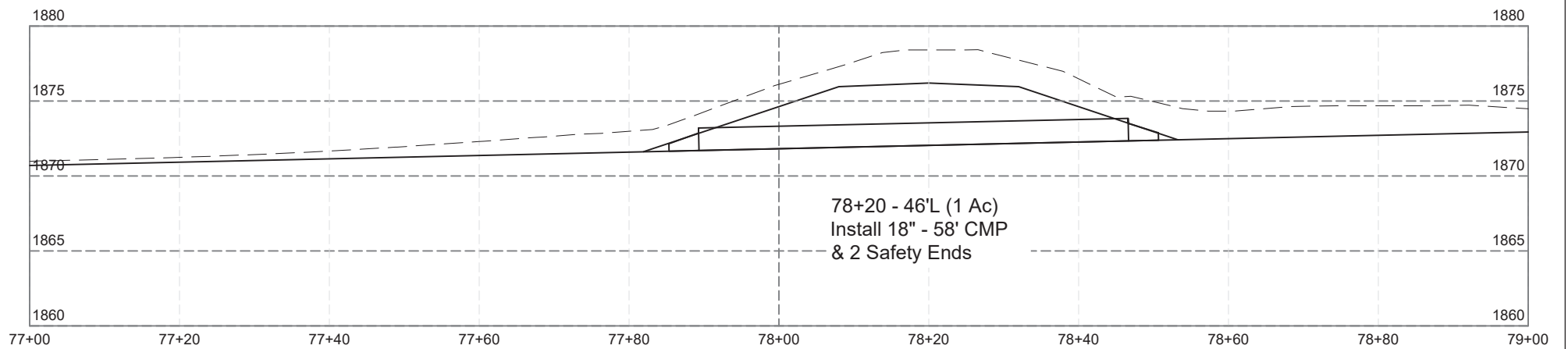
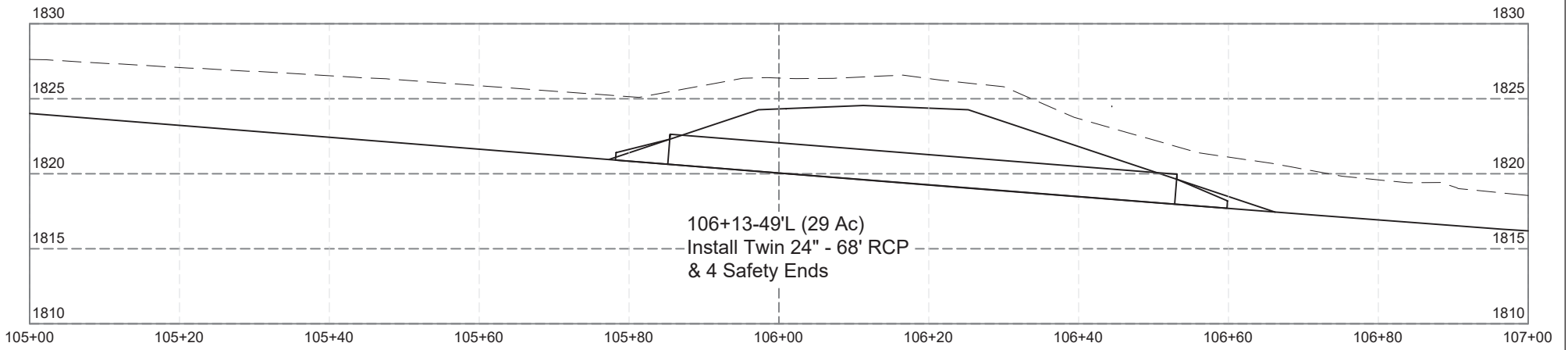
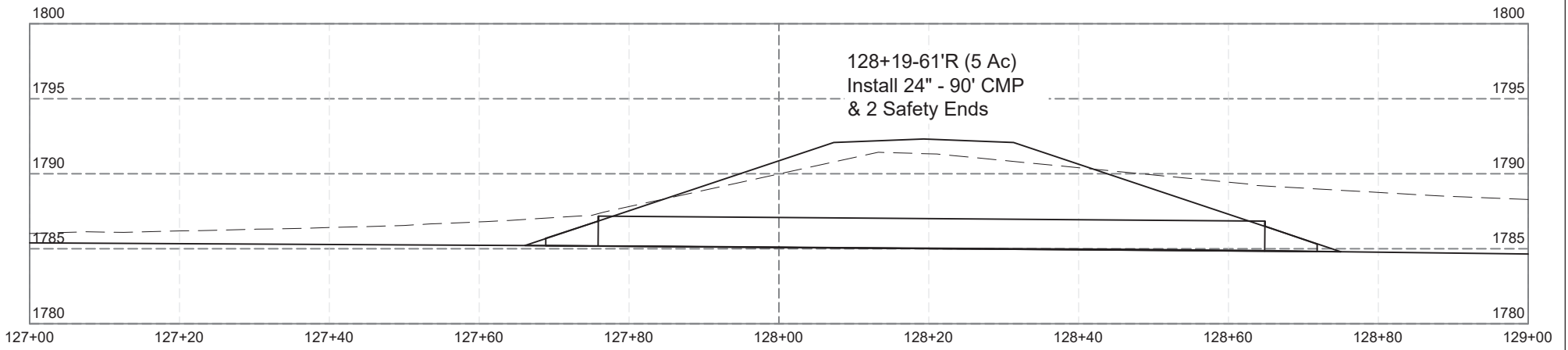
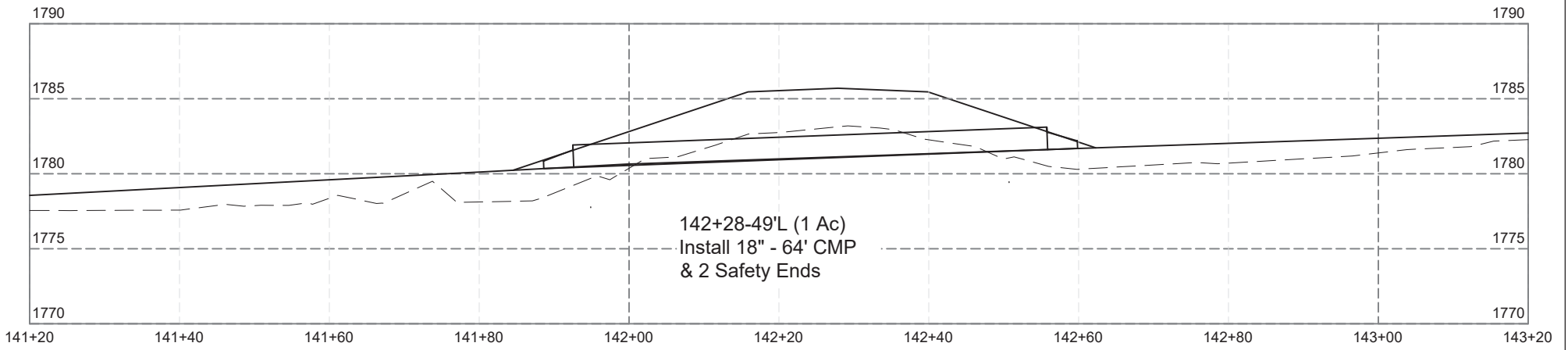
Plotting Date: 12-04-2024

STATE OF SOUTH DAKOTA	PROJECT	SHEET	TOTAL SHEETS
	P-PH-PT 0025(81)158	Z15	Z20



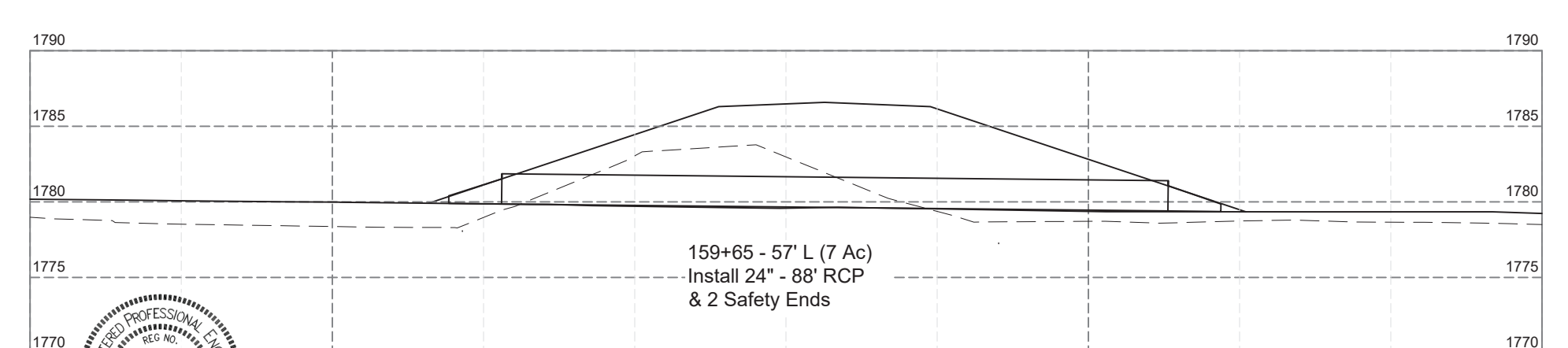
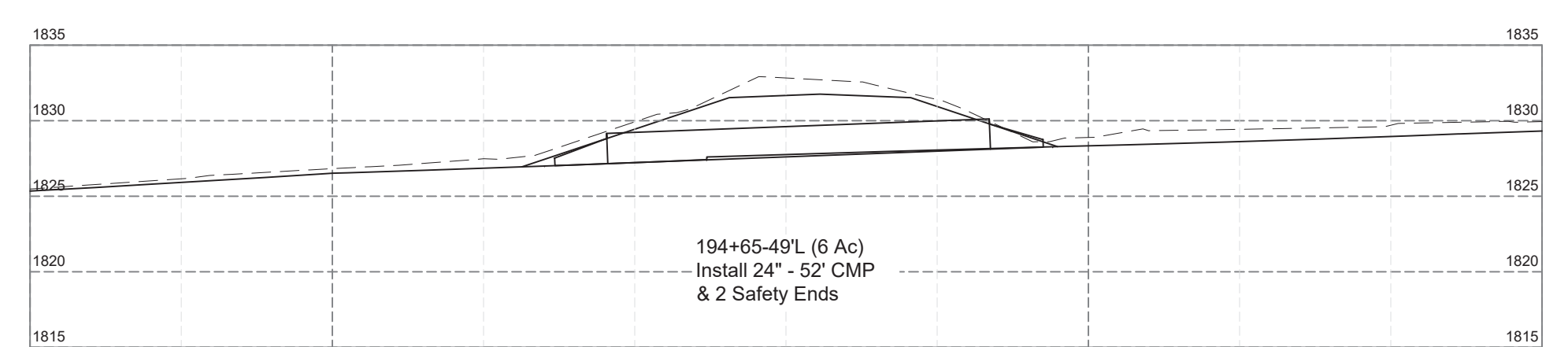
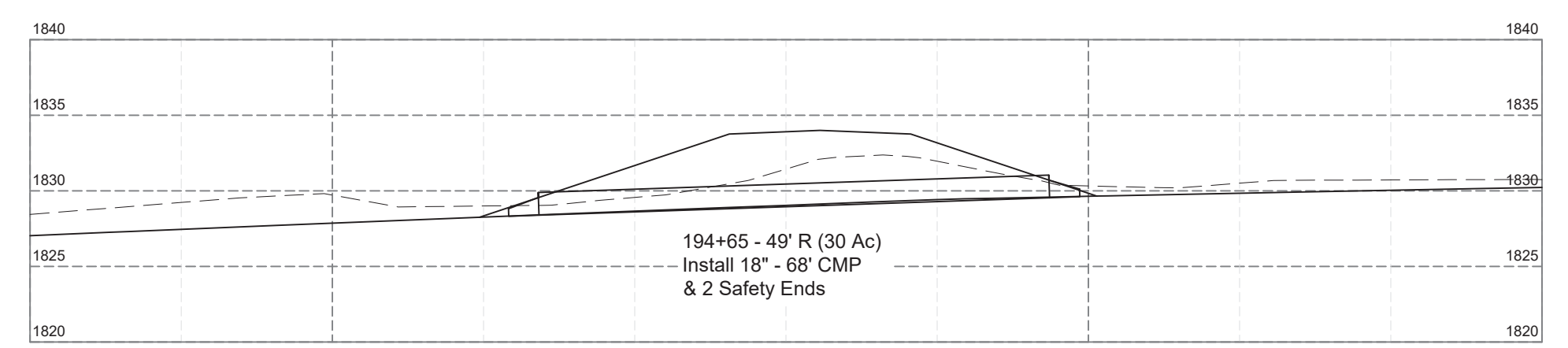
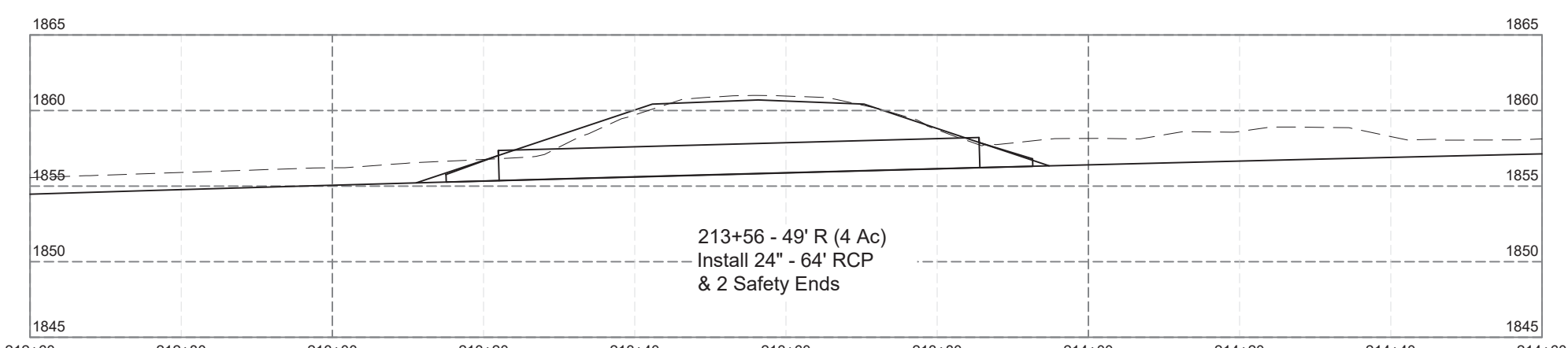
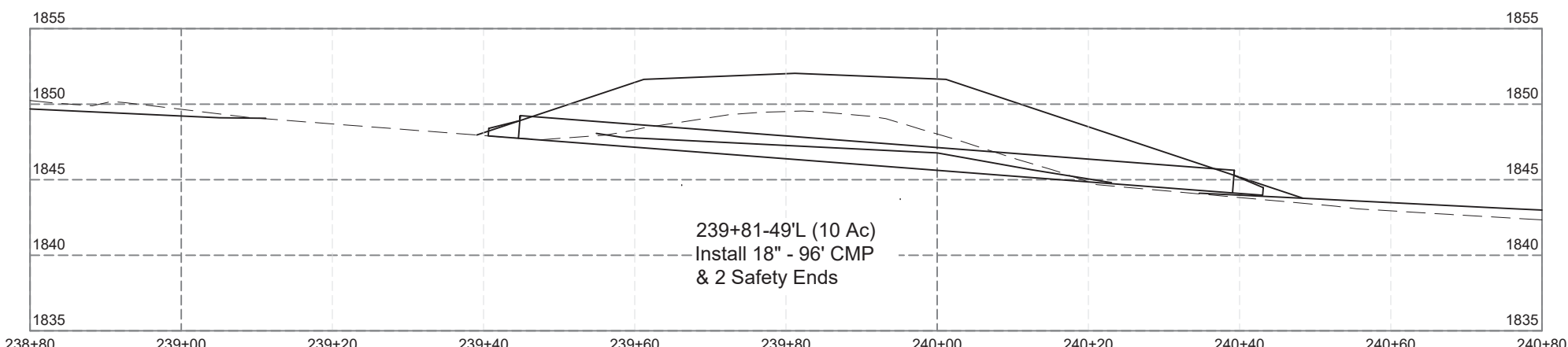
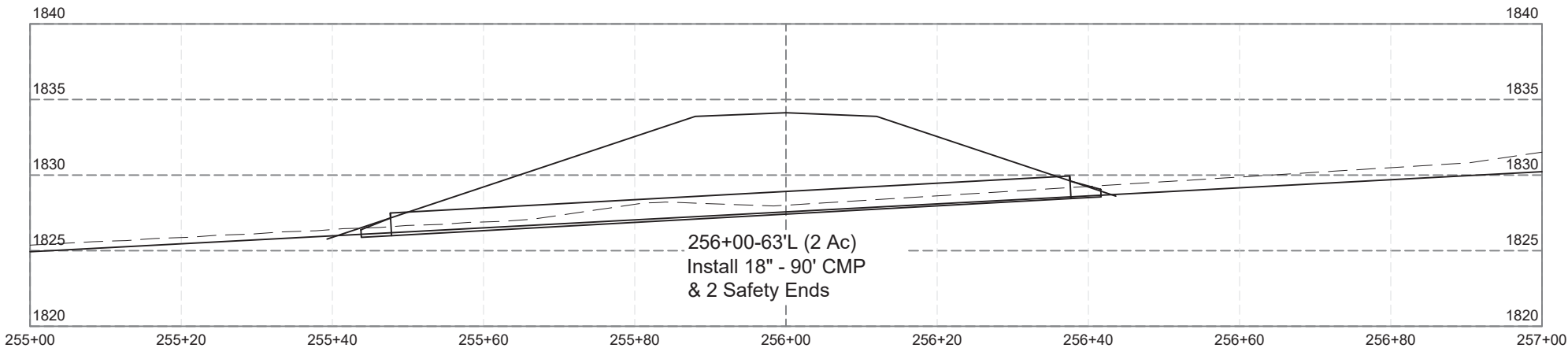
Plotting Date: 12-04-2024

STATE OF SOUTH DAKOTA	PROJECT	SHEET	TOTAL SHEETS
	P-PH-PT 0025(81)158	Z16	Z20



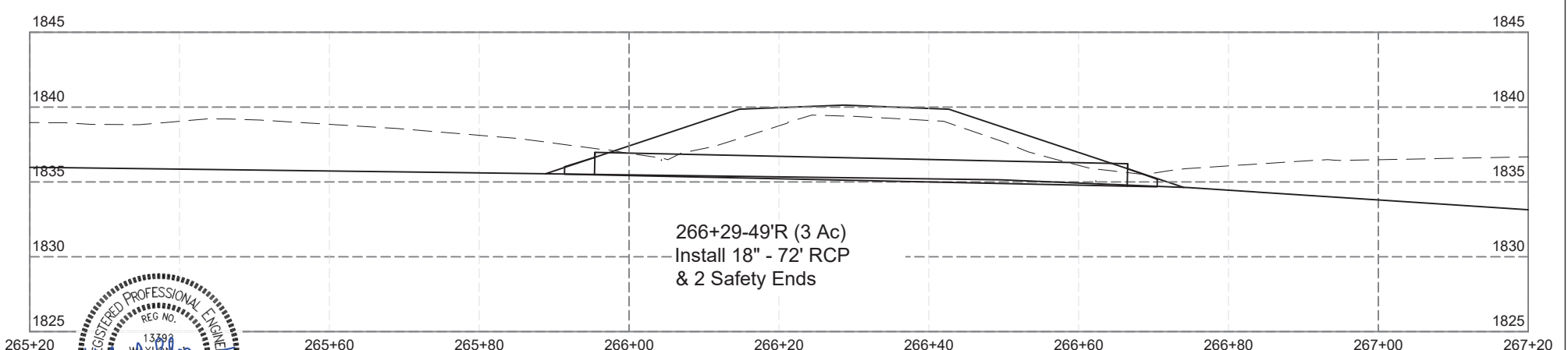
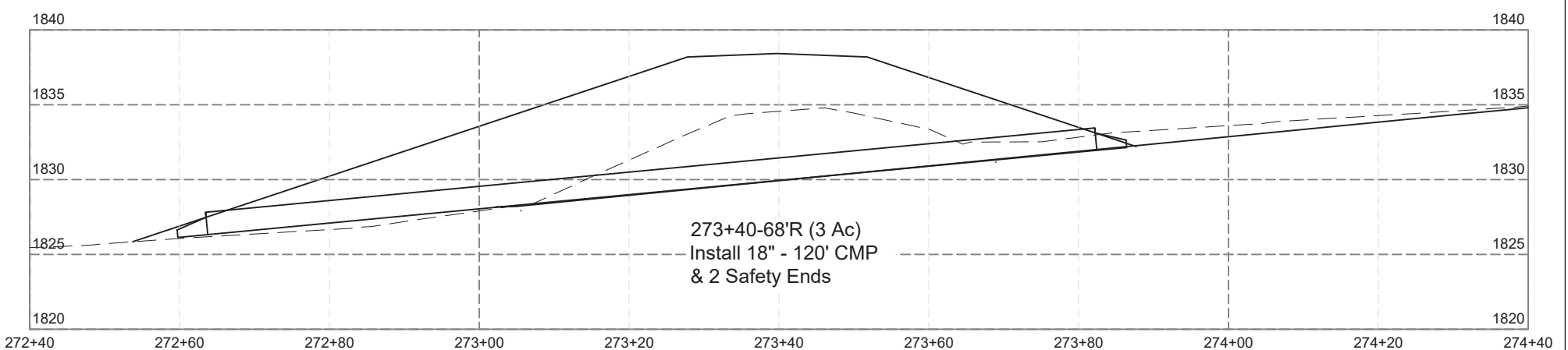
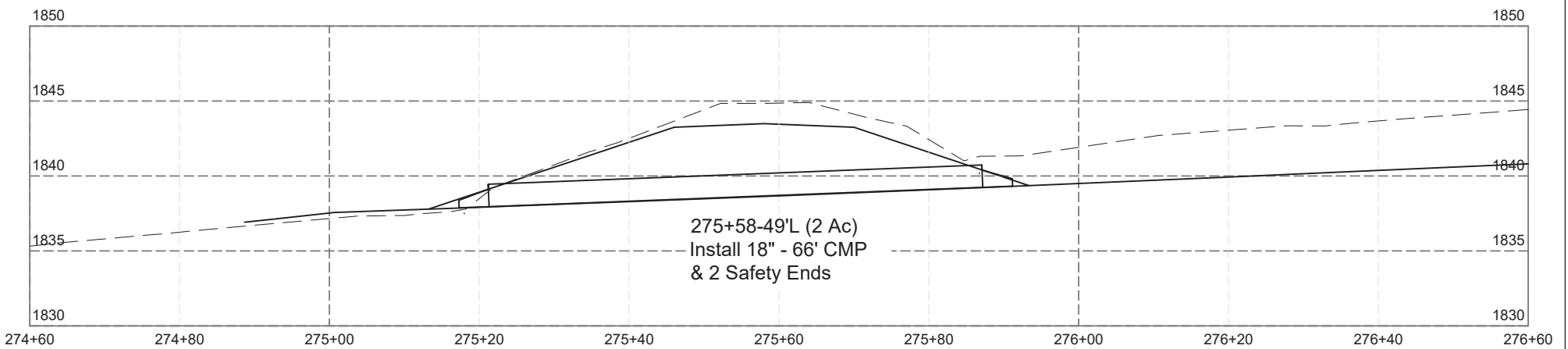
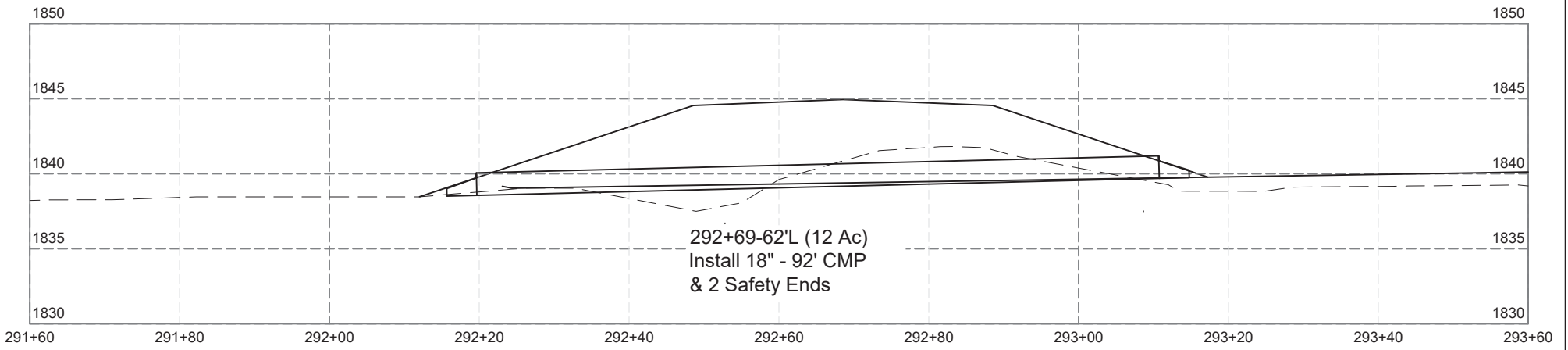
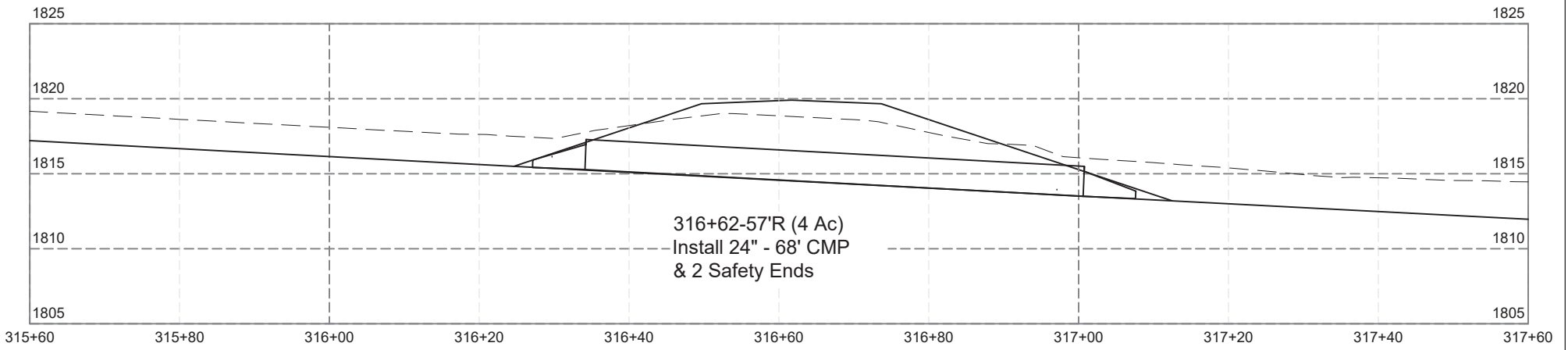
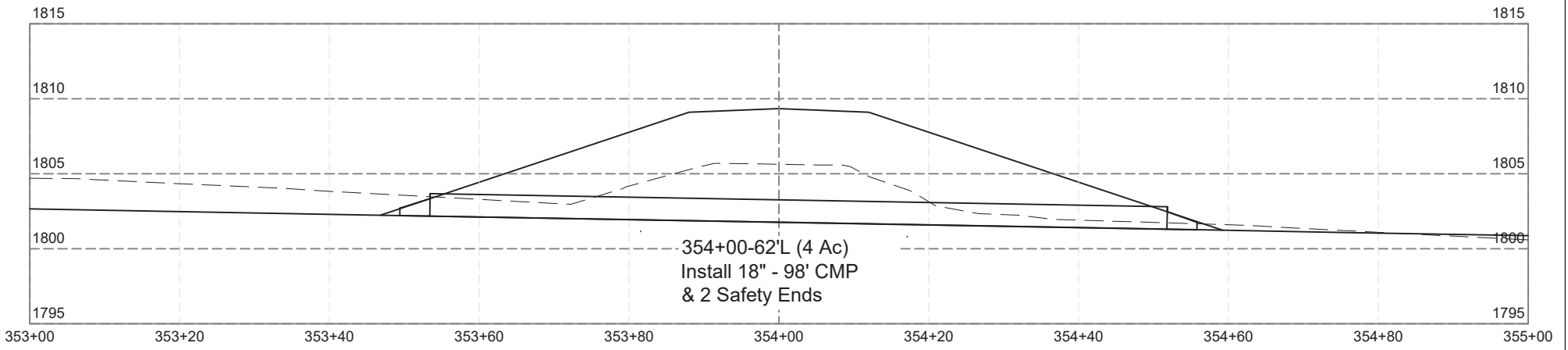
Plotting Date: 12-04-2024

STATE OF SOUTH DAKOTA	PROJECT	SHEET	TOTAL SHEETS
	P-PH-PT 0025(81)158	Z17	Z20



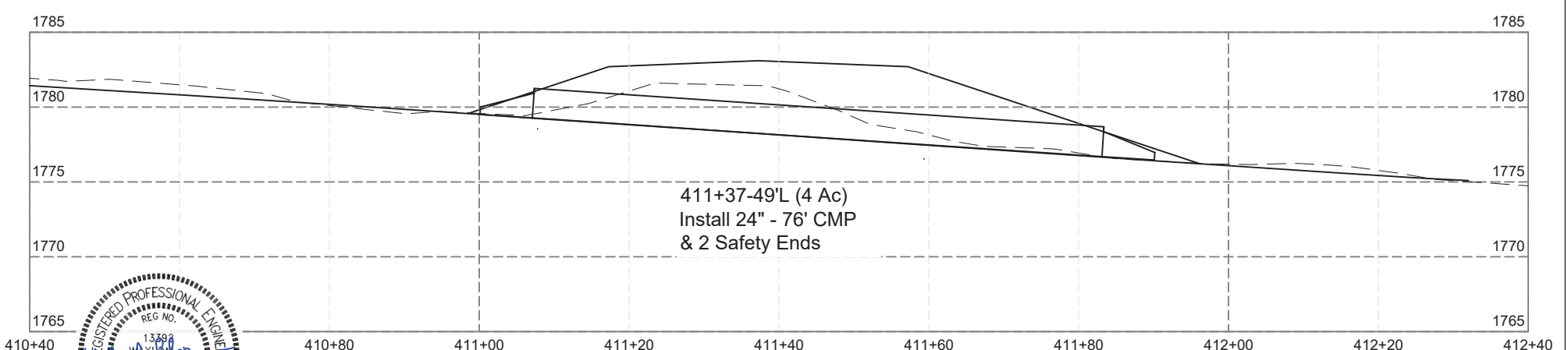
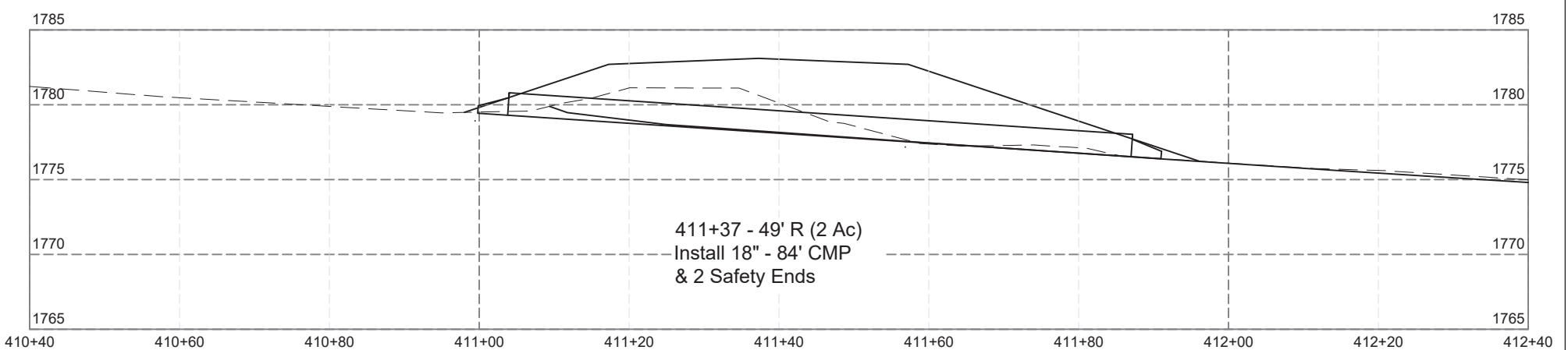
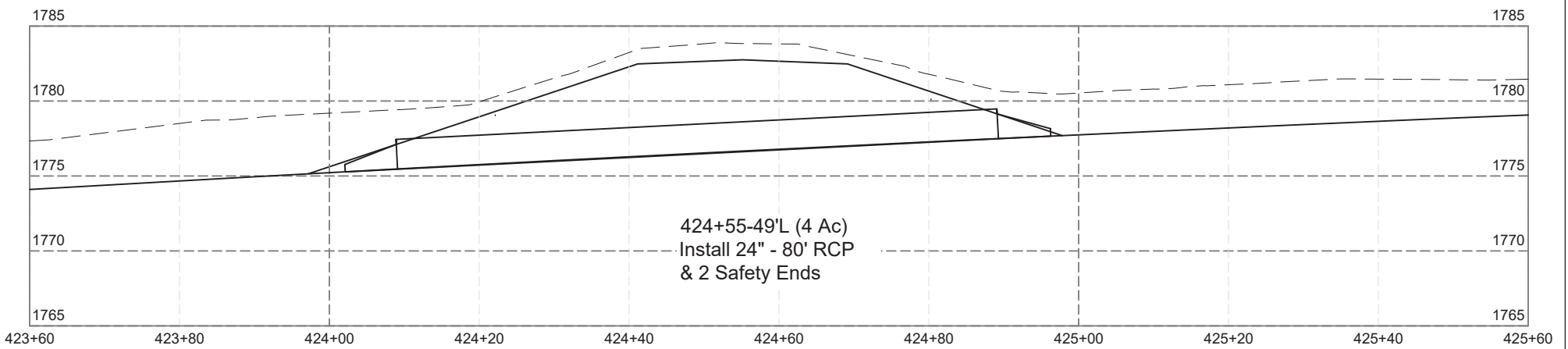
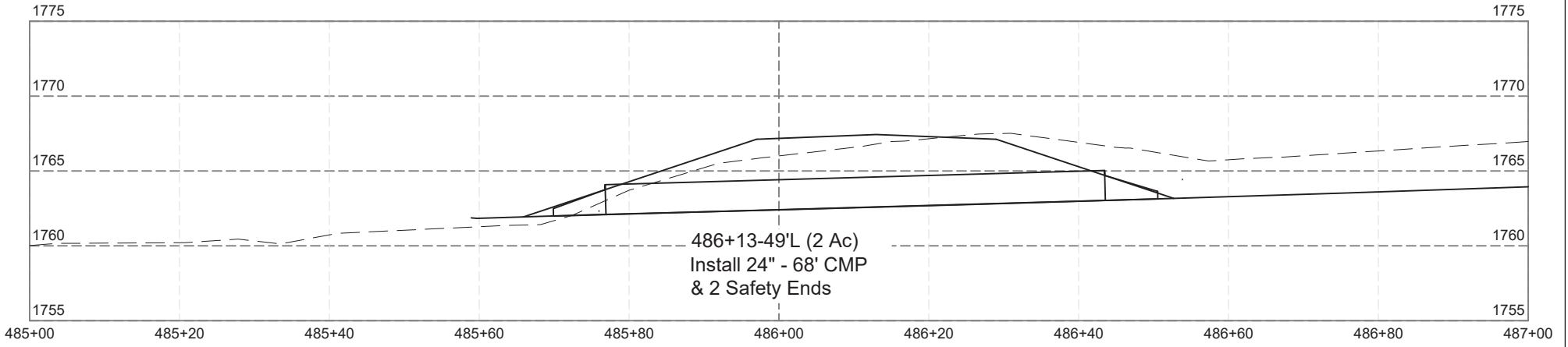
Plotting Date: 12-04-2024

STATE OF SOUTH DAKOTA	PROJECT	SHEET	TOTAL SHEETS
	P-PH-PT 0025(81)158	Z18	Z20



Plotting Date: 12-04-2024

STATE OF SOUTH DAKOTA	PROJECT	SHEET	TOTAL SHEETS
	P-PH-PT 0025(81)158	Z19	Z20



Plotting Date: 12-04-2024

STATE OF SOUTH DAKOTA	PROJECT	SHEET	TOTAL SHEETS
	P-PH-PT 0025(81)158	Z20	Z20