


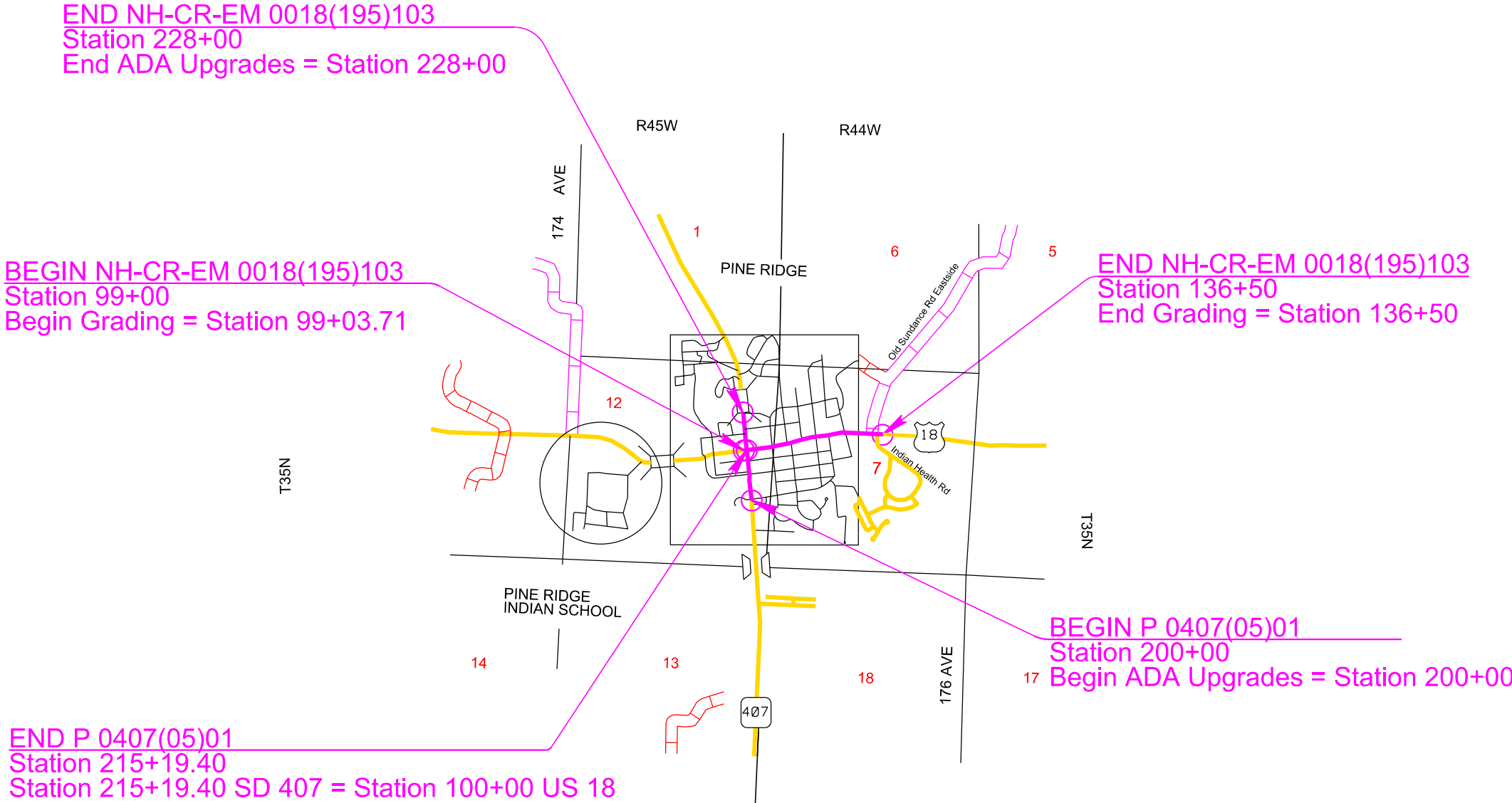
SECTION X: CROSS SECTIONS

FOR BIDDING PURPOSES ONLY

 STATE OF SOUTH DAKOTA	PROJECT	SHEET	TOTAL SHEETS
	NH-CR-EM 0018(195)103 P 0407(05)01	X1	X56
Plotting Date: 7/31/2024		Rev. 8/2/2024 BAF	

INDEX OF SHEETS

X1	General Layout with Index
X2-X27	Mainline - US18 Cross Sections
X28-X43	Mainline - SD407/US18 Cross Sections
X44-X46	xr117 Cross Sections
X47-X54	xr133 Cross Sections
X55-X56	Turn Lane Cross Sections



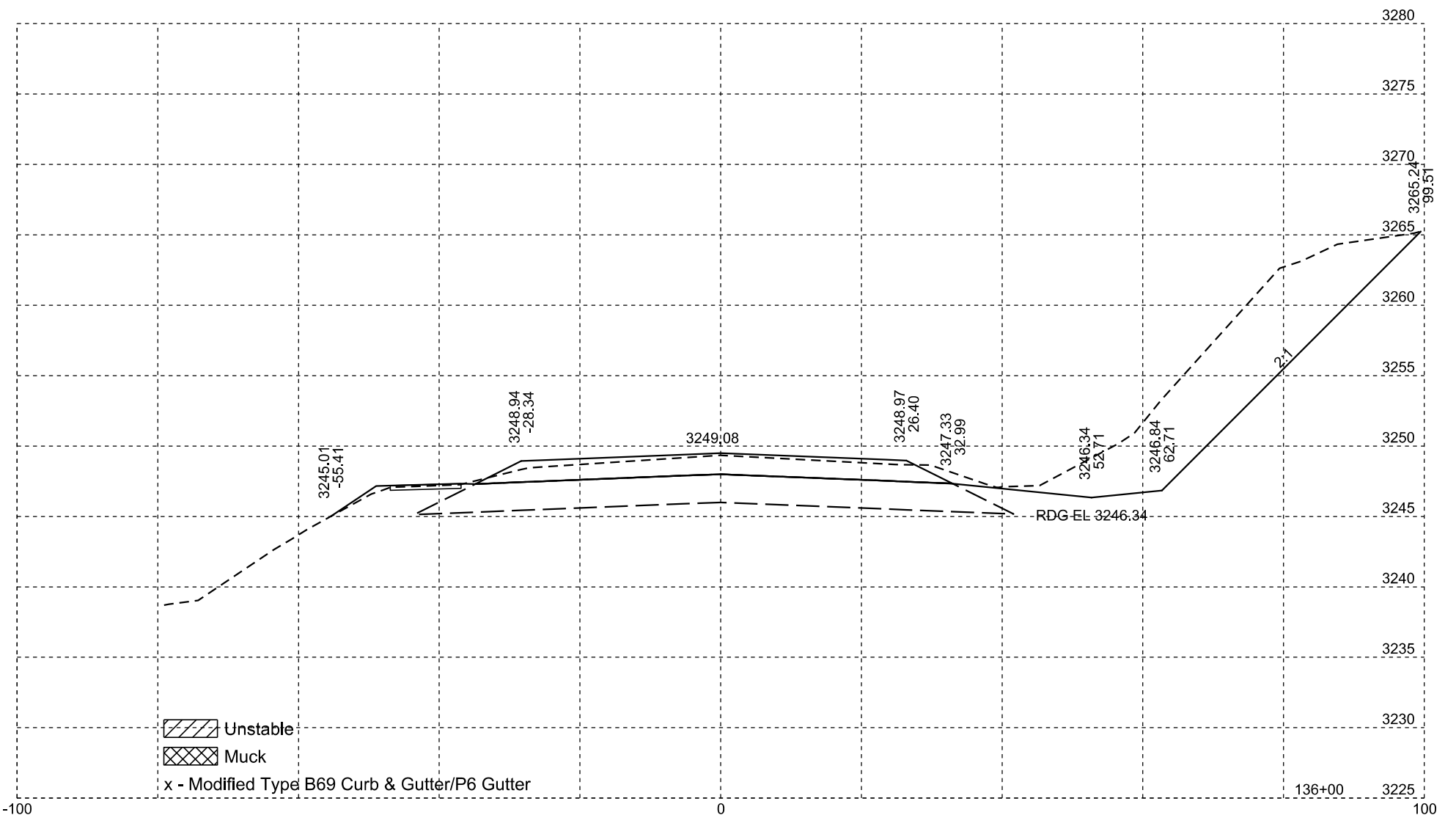
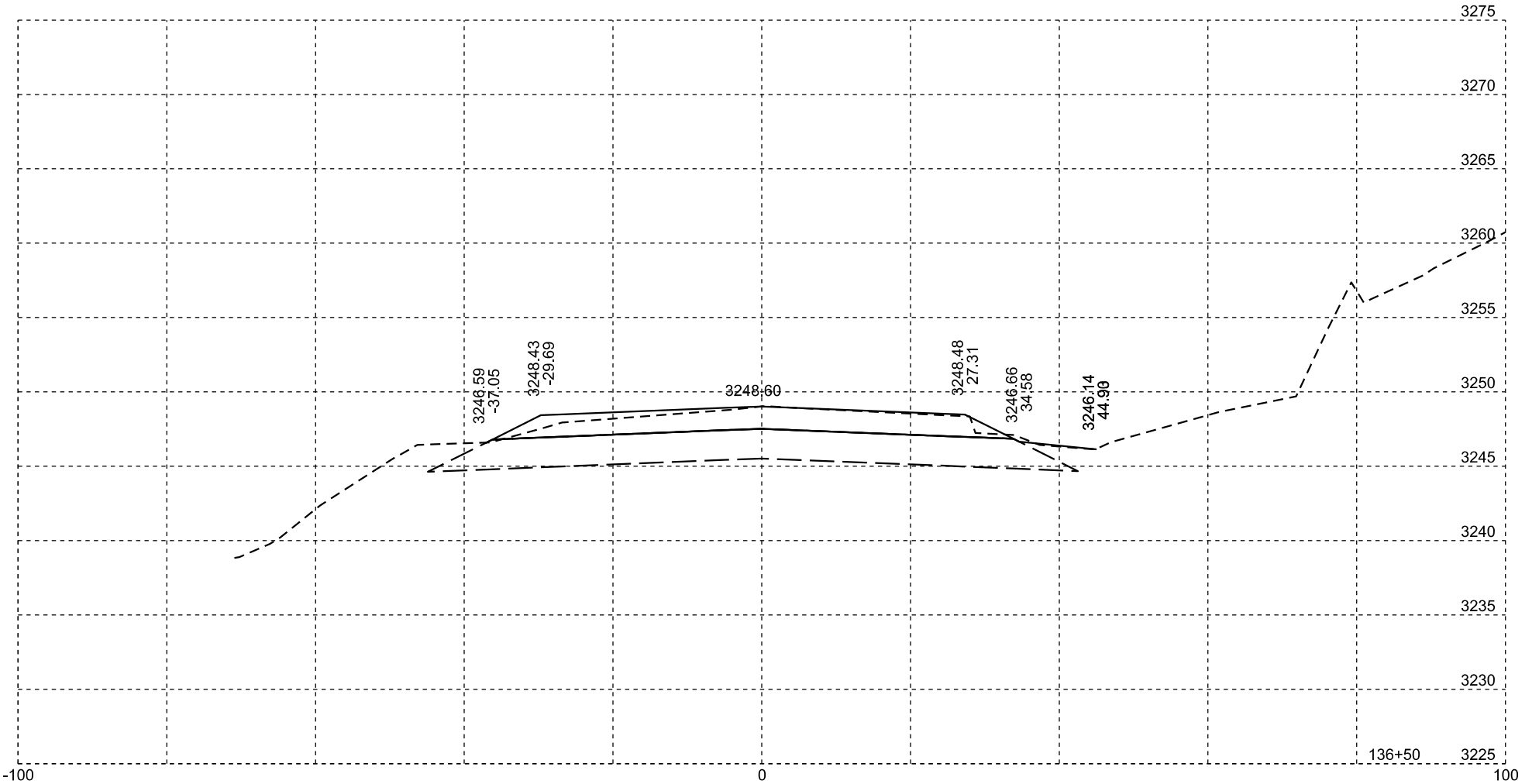
Plot Scale - 1:200

Plotted From - brandonfried

File - ...Sections\SectionX\TitleX.dgn



FOR BIDDING PURPOSES ONLY

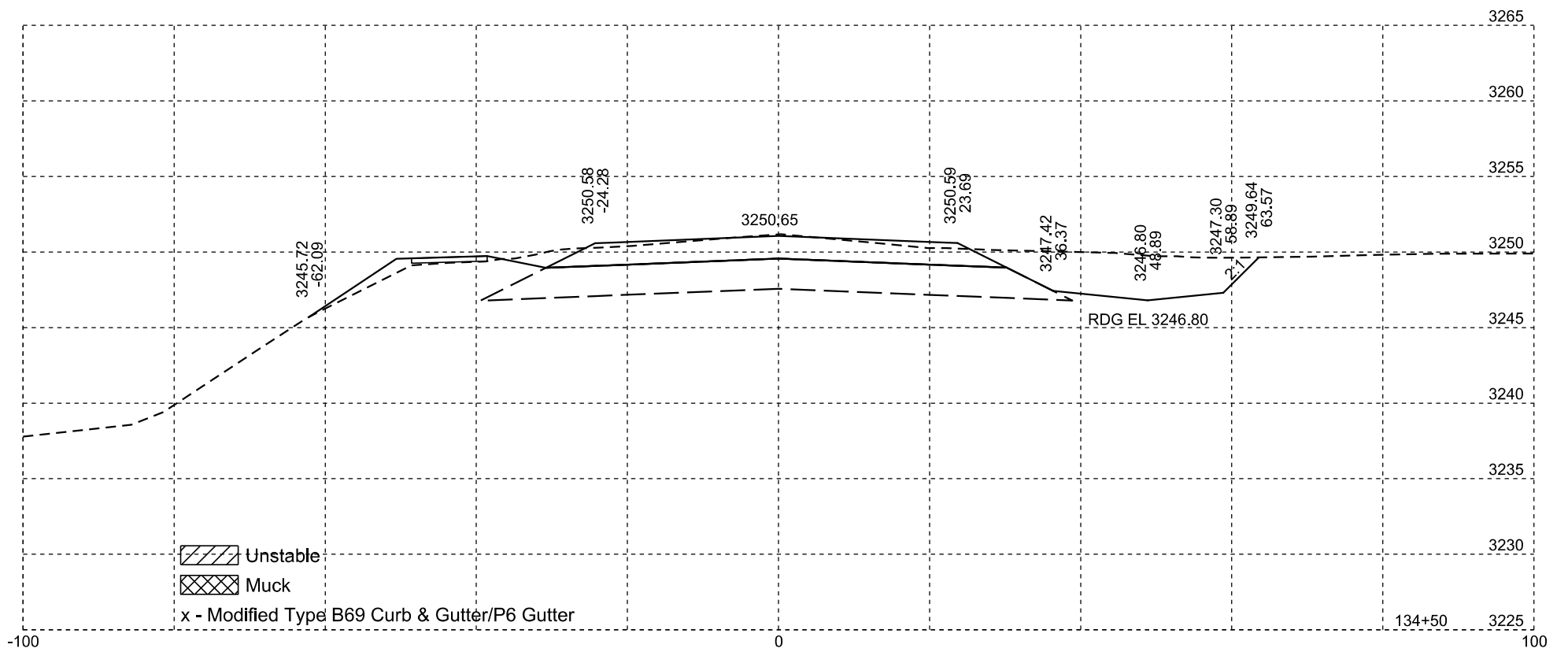
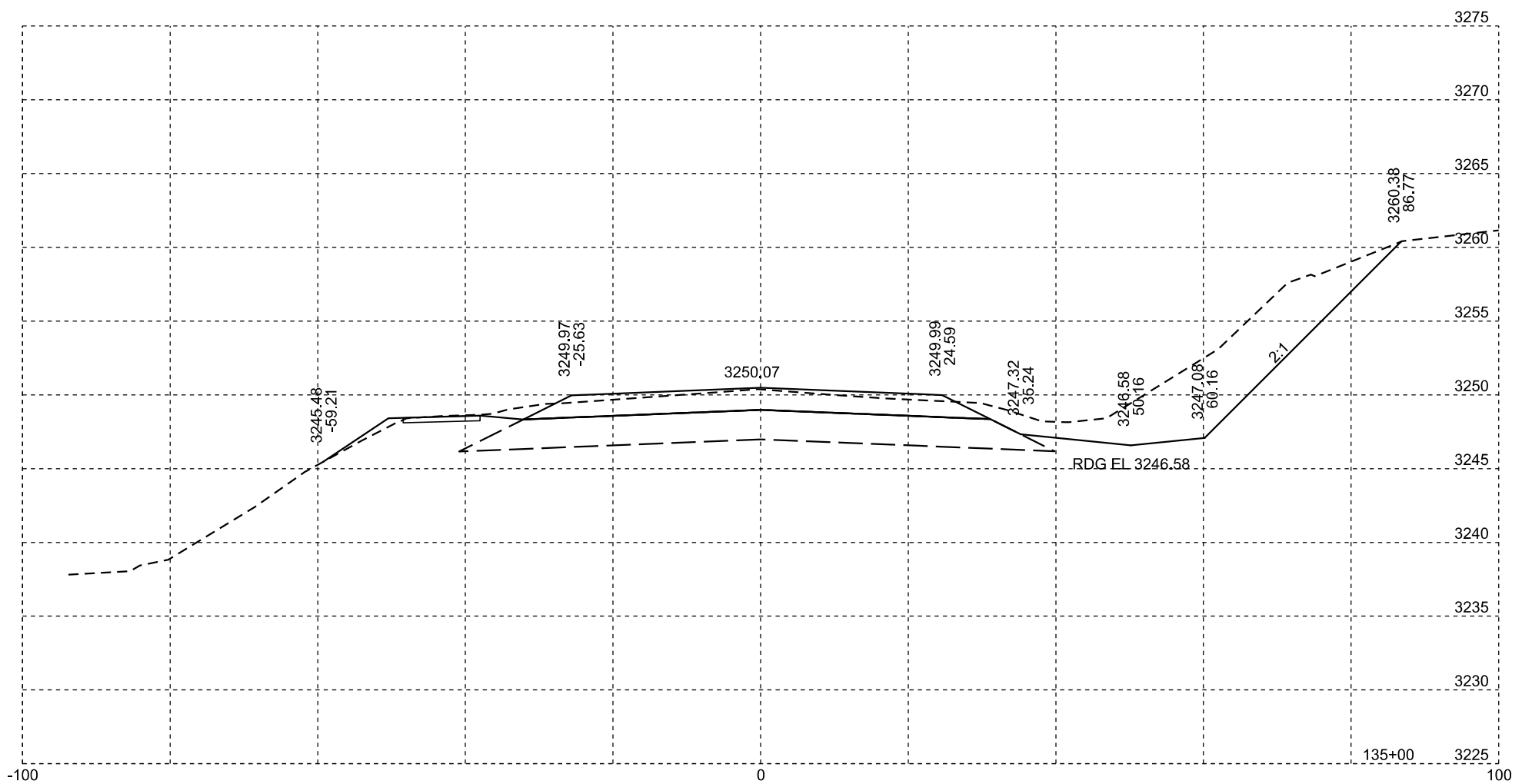
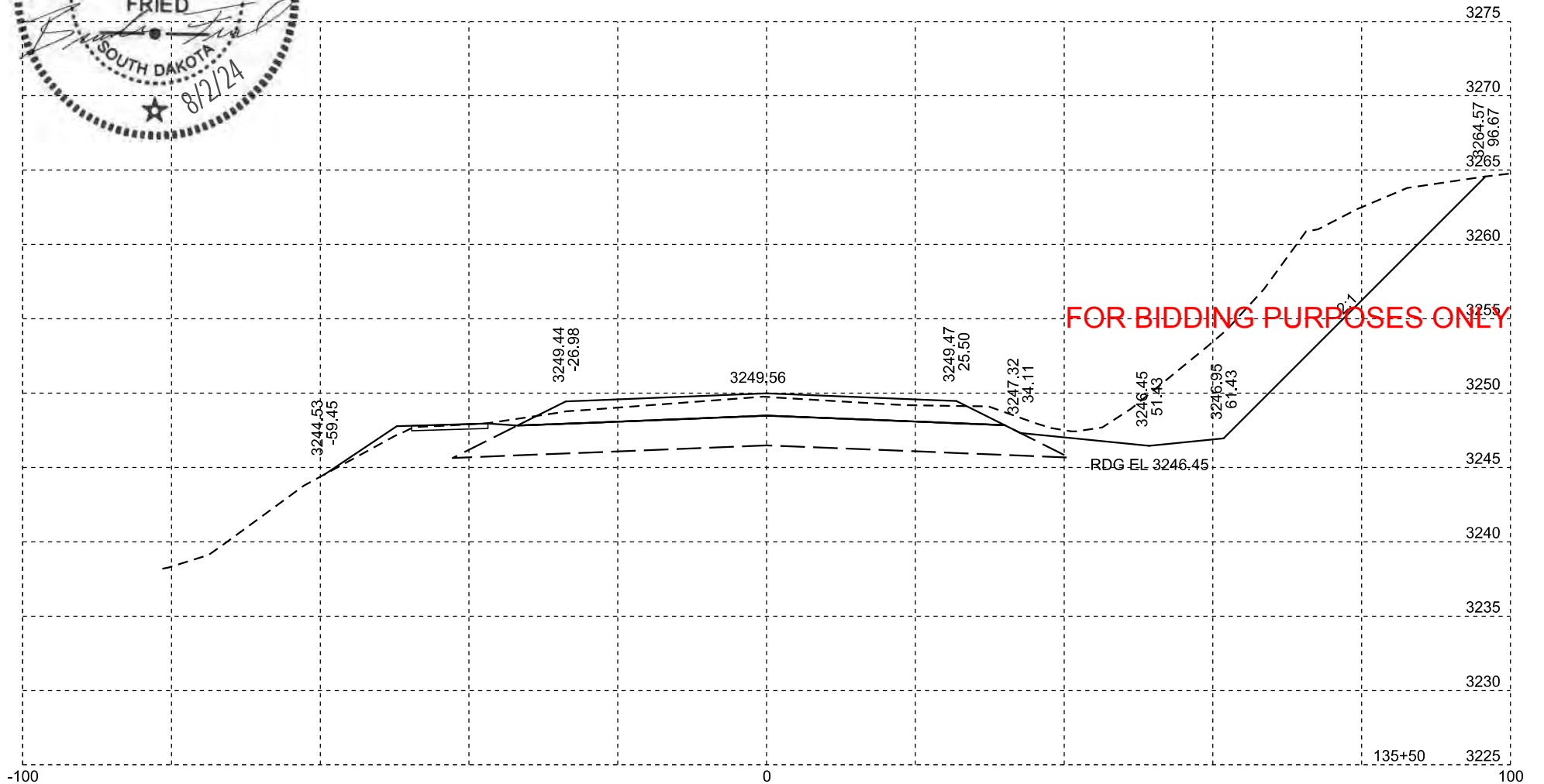


Unstable
 Muck
 x - Modified Type B69 Curb & Gutter/P6 Gutter



Rev. 8/2/2024 BAF
Plotting Date: 7/31/2024

STATE OF SOUTH DAKOTA	PROJECT	SHEET NO.	TOTAL SHEETS
	NH-CR-EM 0018(195)103 P 0407(05)01		



Unstable
 Muck
 x - Modified Type B69 Curb & Gutter/P6 Gutter

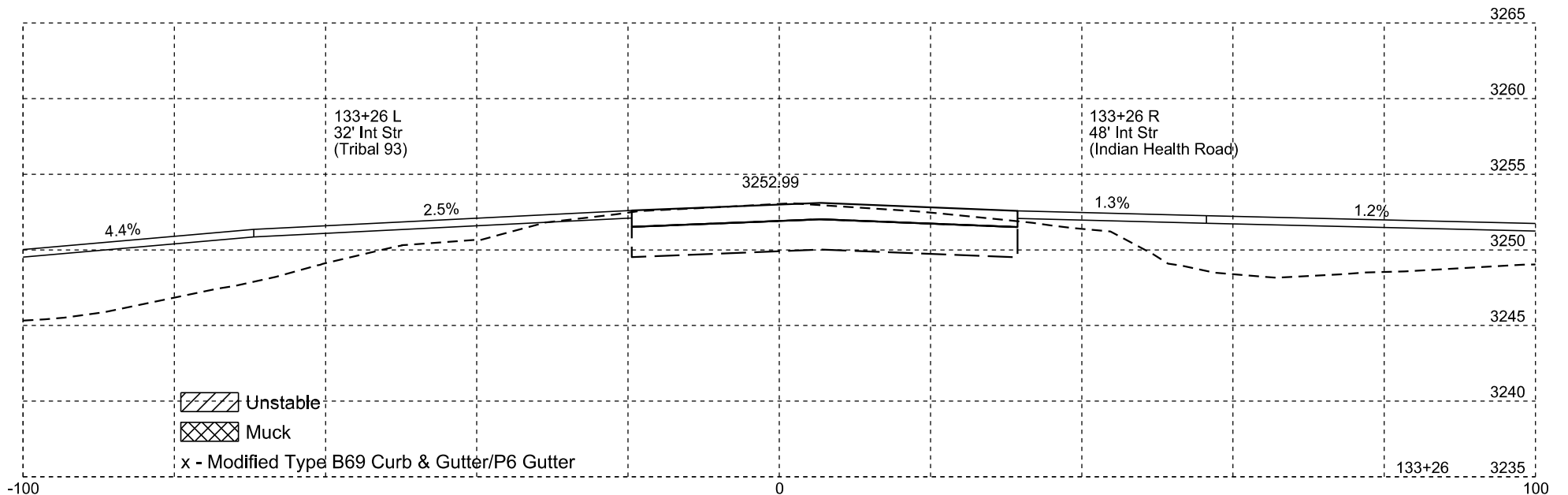
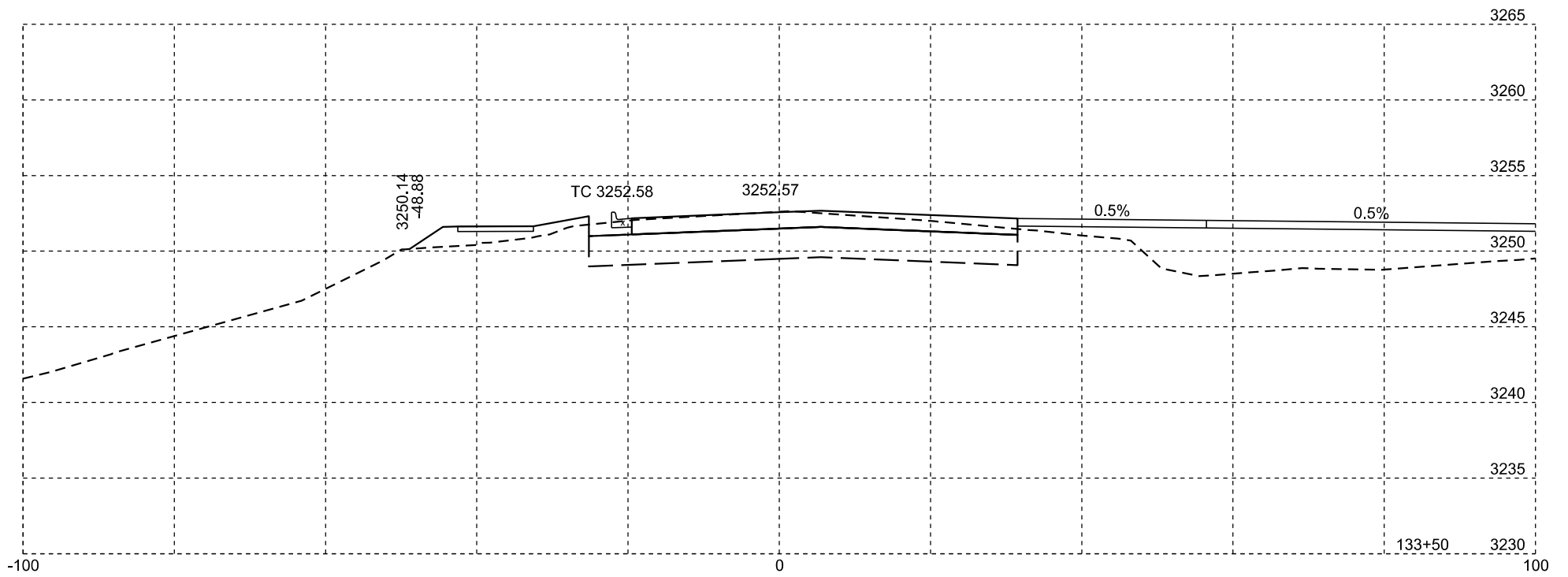
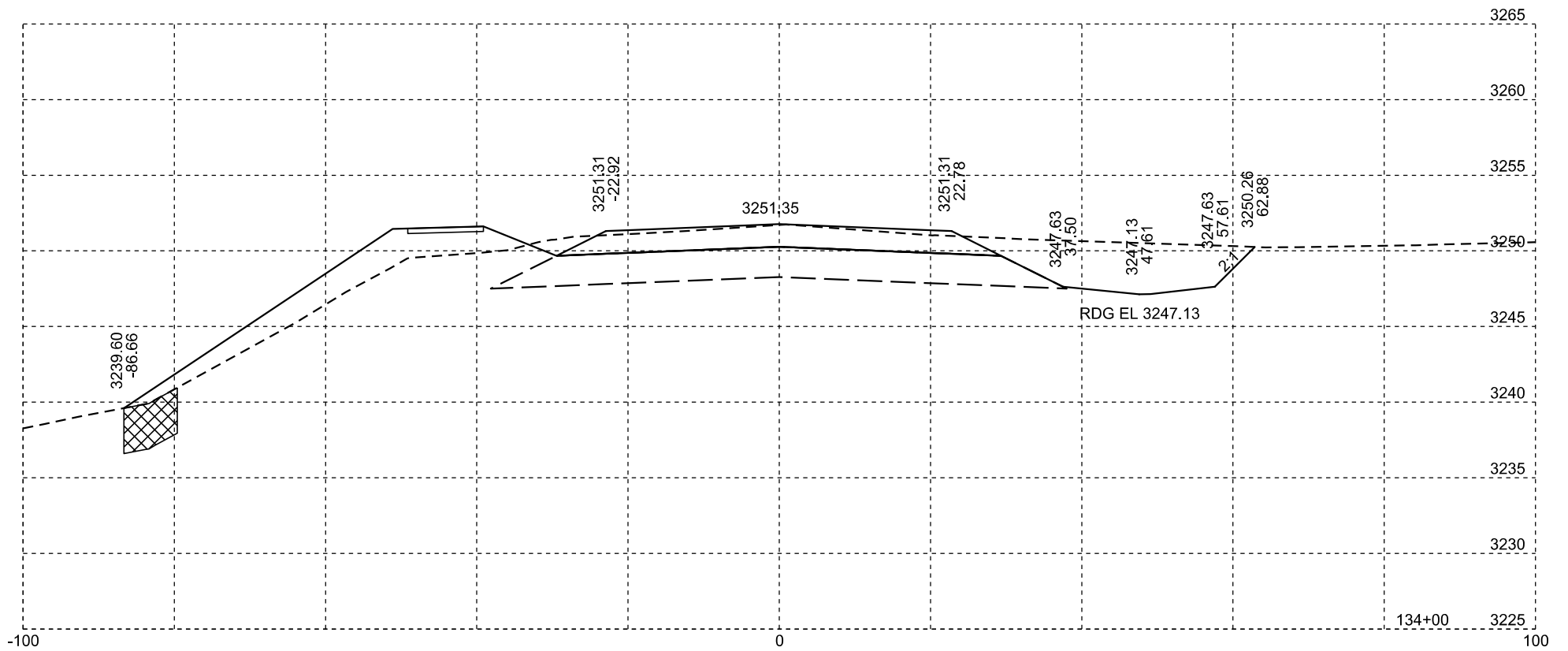


Rev. 8/2/2024 BAF
Plotting Date: 7/31/2024

STATE OF SOUTH DAKOTA	PROJECT	SHEET NO.	TOTAL SHEETS
	NH-CR-EM 0018(195)103	X3	X56
	P 0407(05)01		



FOR BIDDING PURPOSES ONLY



- Unstable
- Muck
- x - Modified Type B69 Curb & Gutter/P6 Gutter

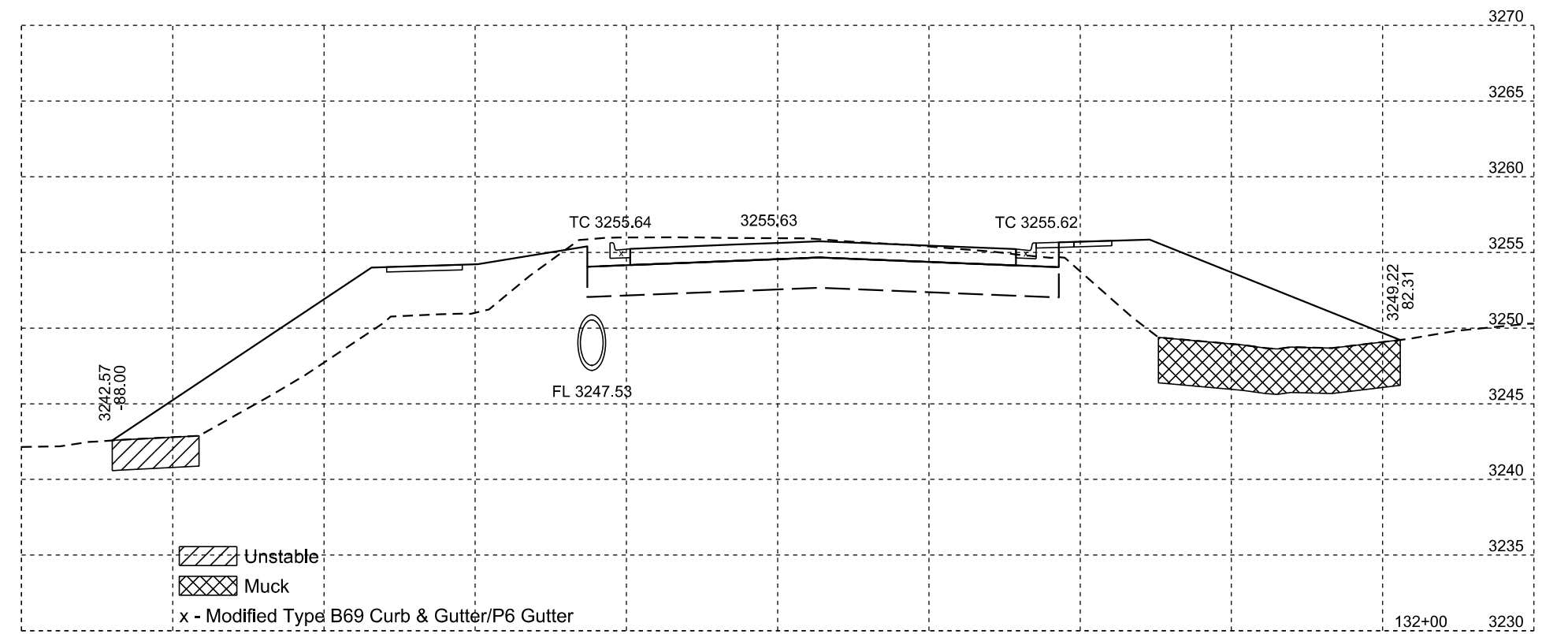
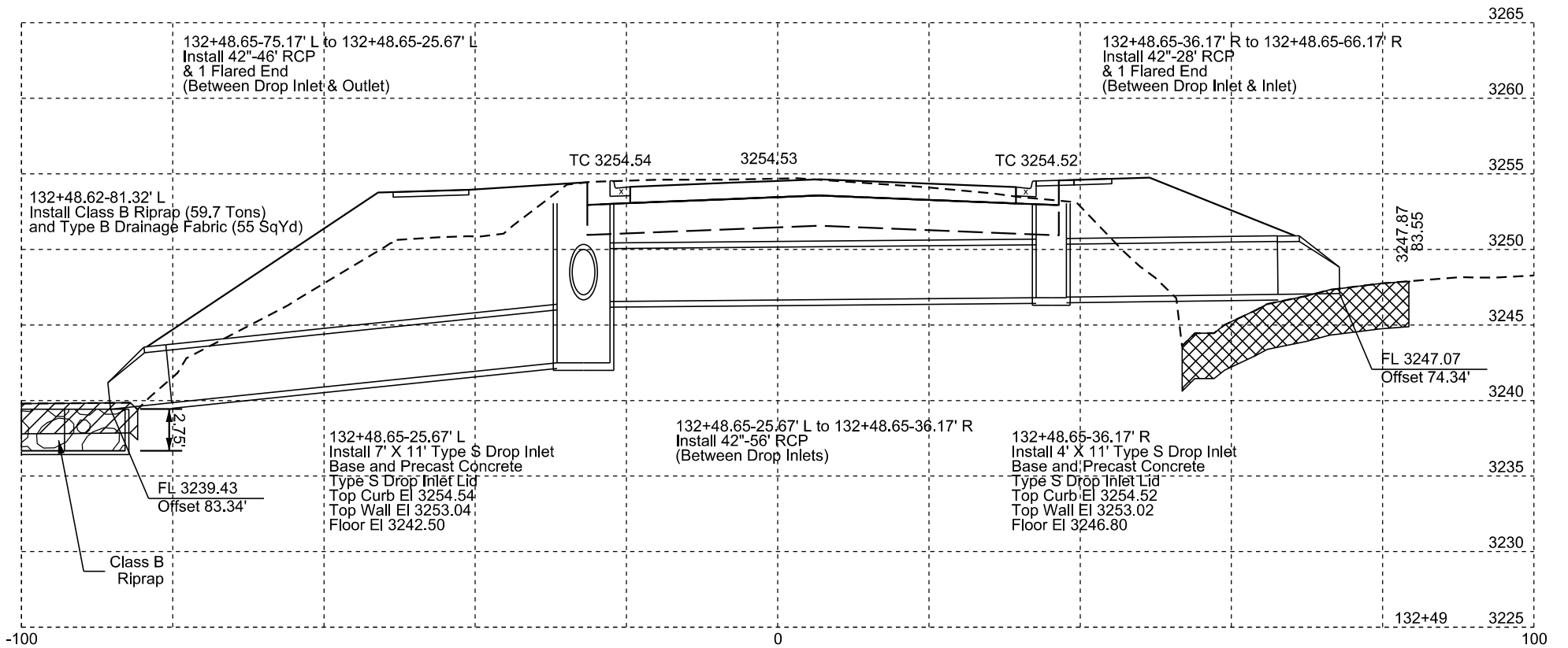
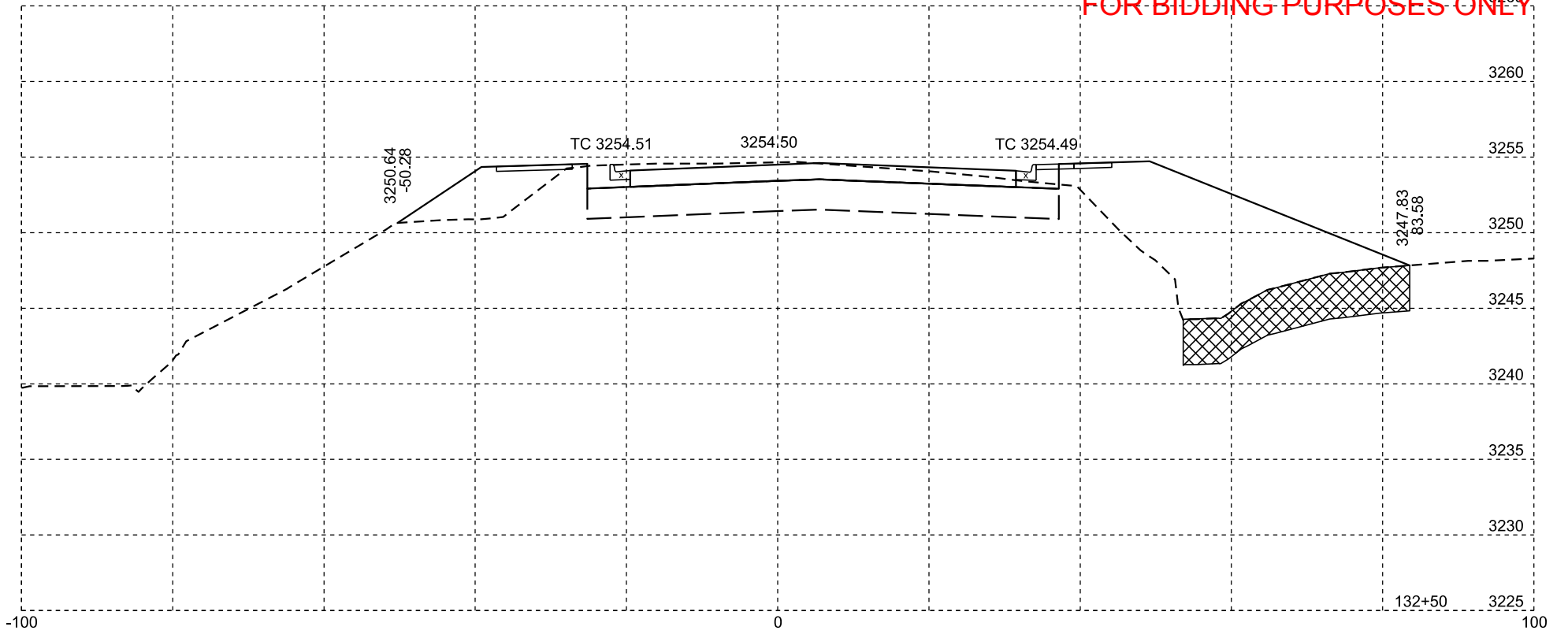


Rev. 8/2/2024 BAF
Plotting Date: 7/31/2024

STATE OF SOUTH DAKOTA	PROJECT	SHEET NO.	TOTAL SHEETS
	NH-CR-EM 0018(195)103 P 0407(05)01		

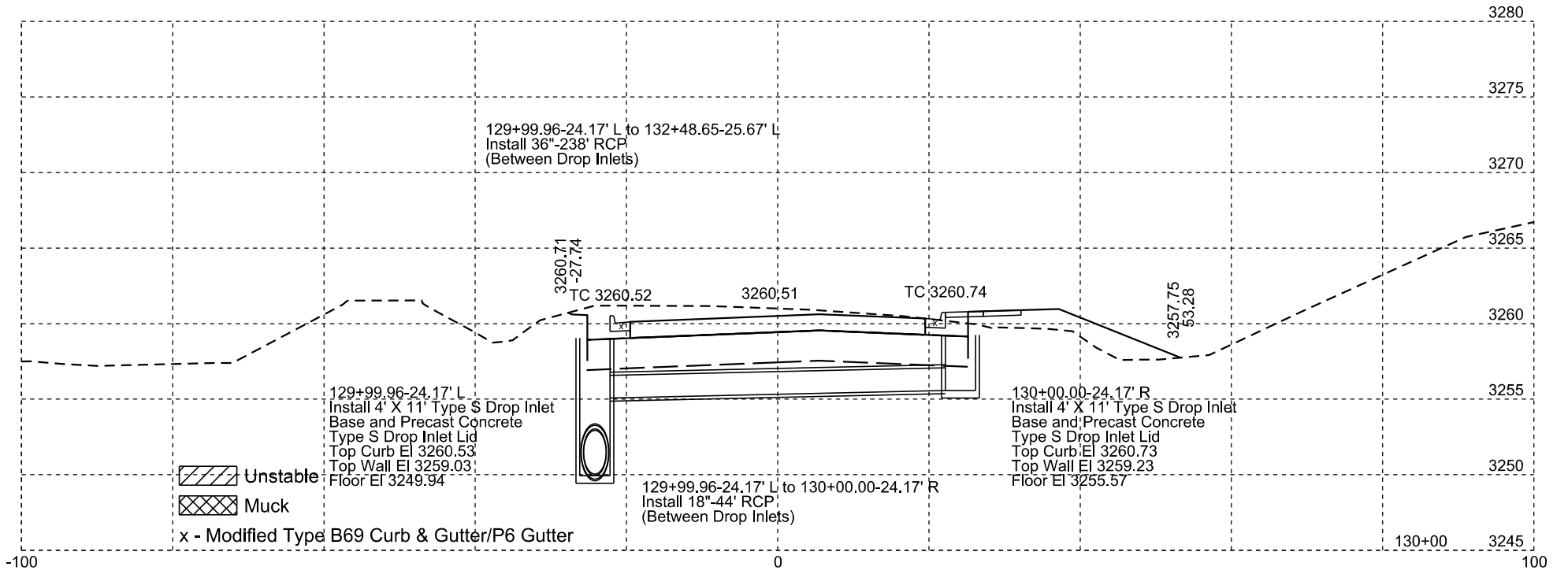
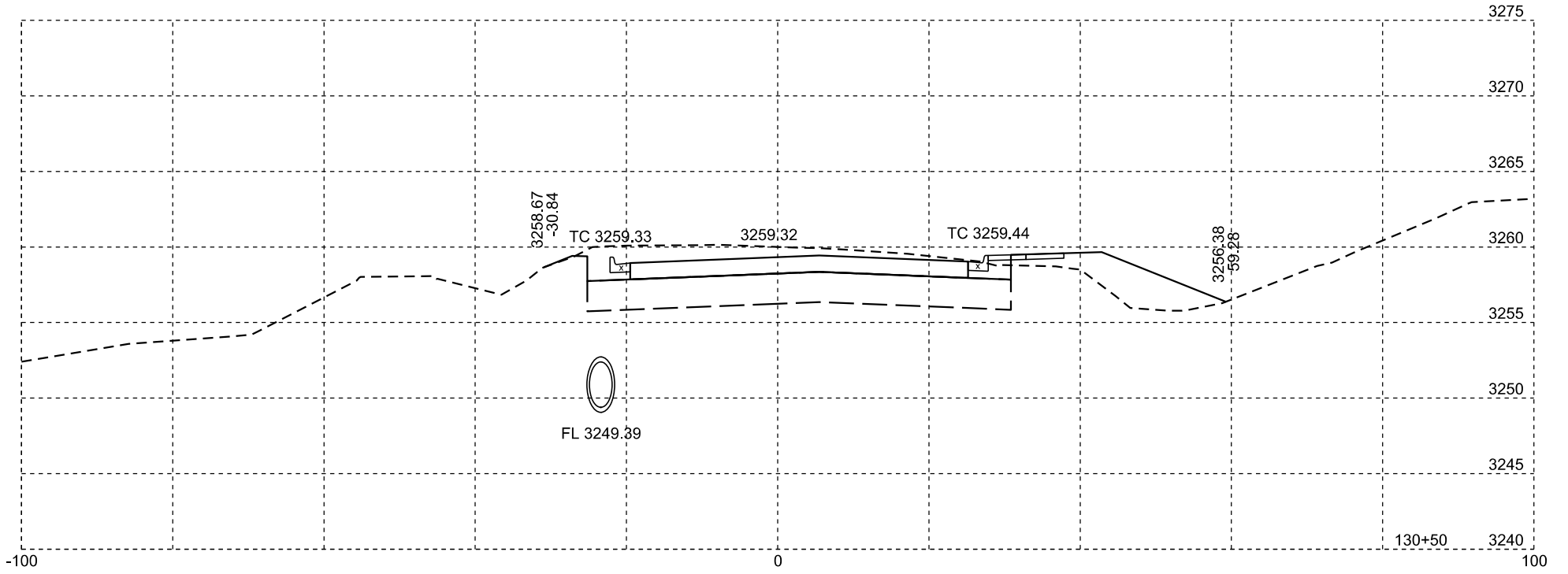
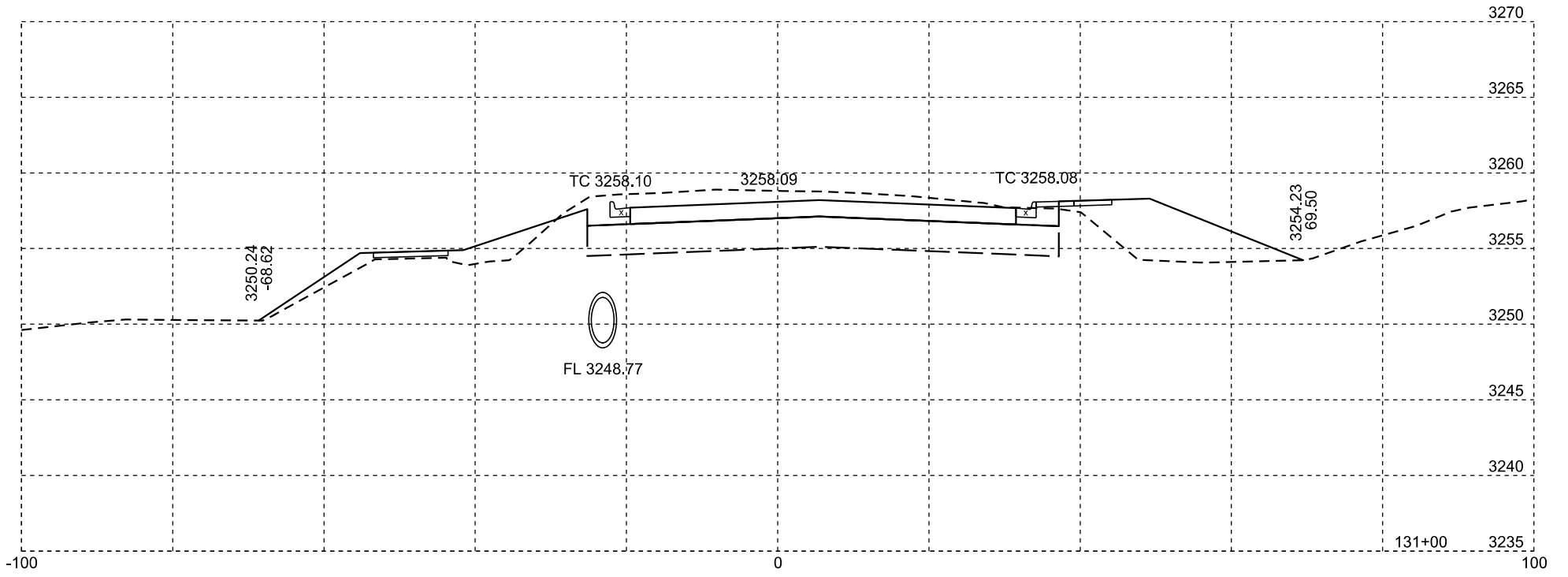
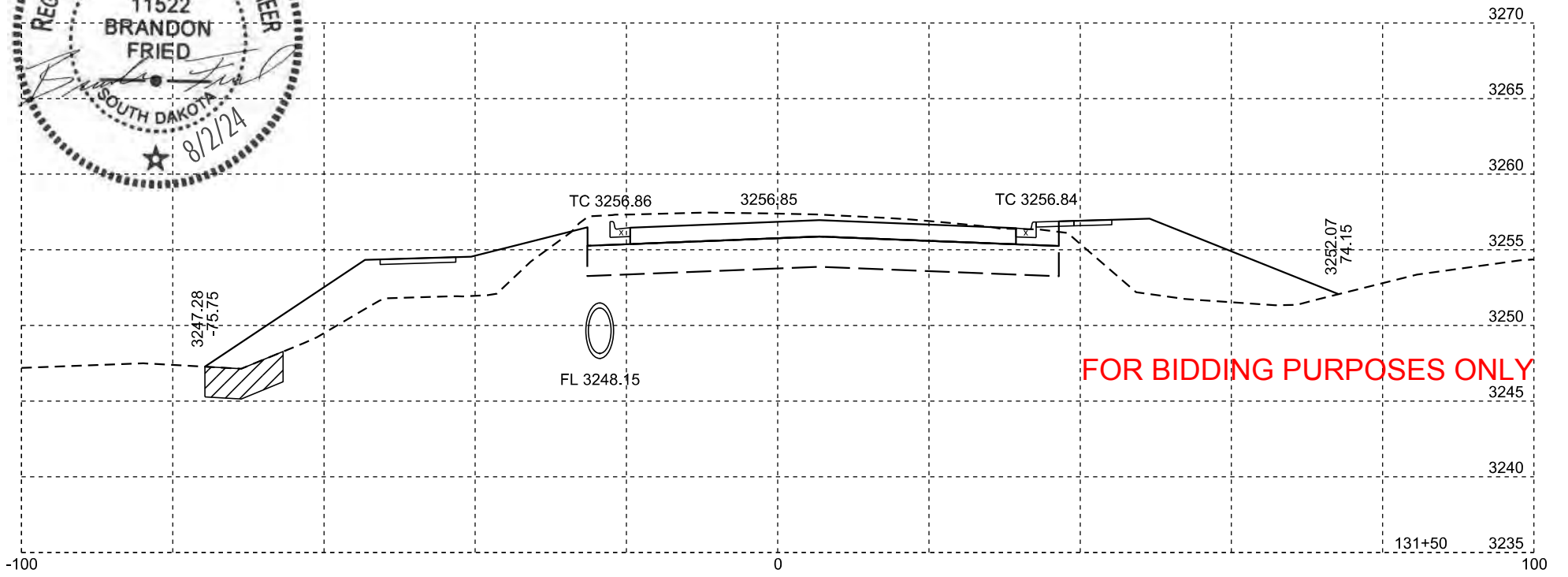
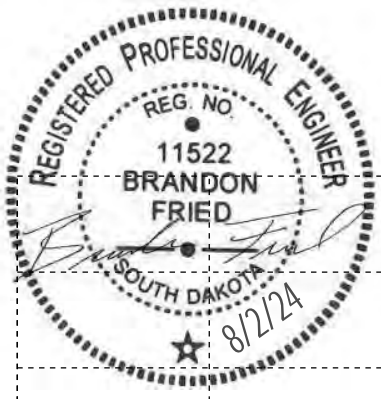


FOR BIDDING PURPOSES ONLY



Rev. 8/2/2024 BAF
Plotting Date: 7/31/2024

STATE OF SOUTH DAKOTA	PROJECT	SHEET NO.	TOTAL SHEETS
	NH-CR-EM 0018(195)103 P 0407(05)01	X5	X56

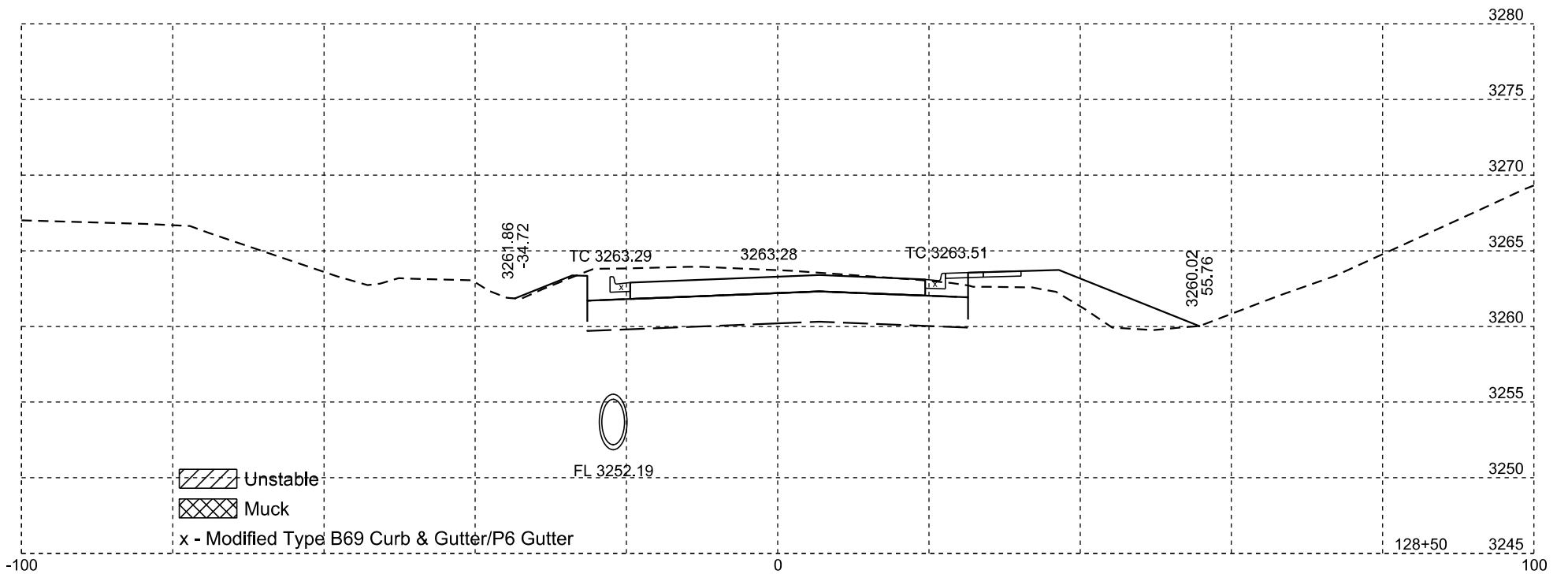
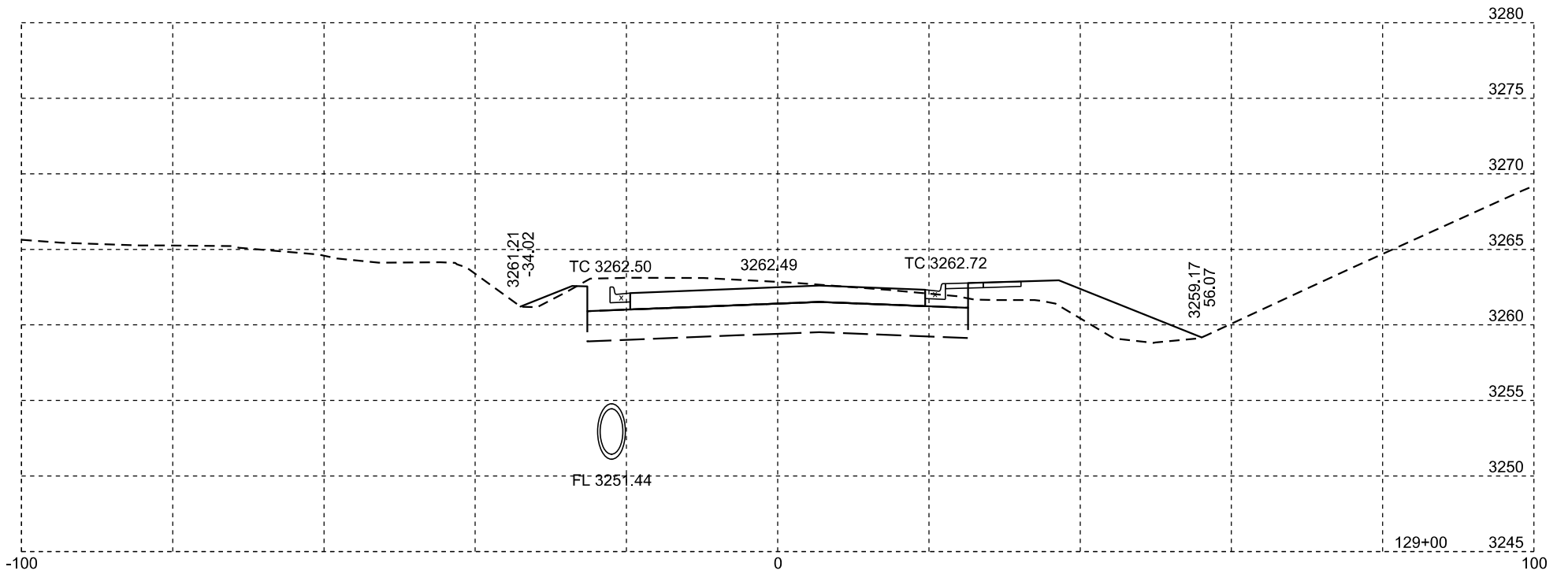
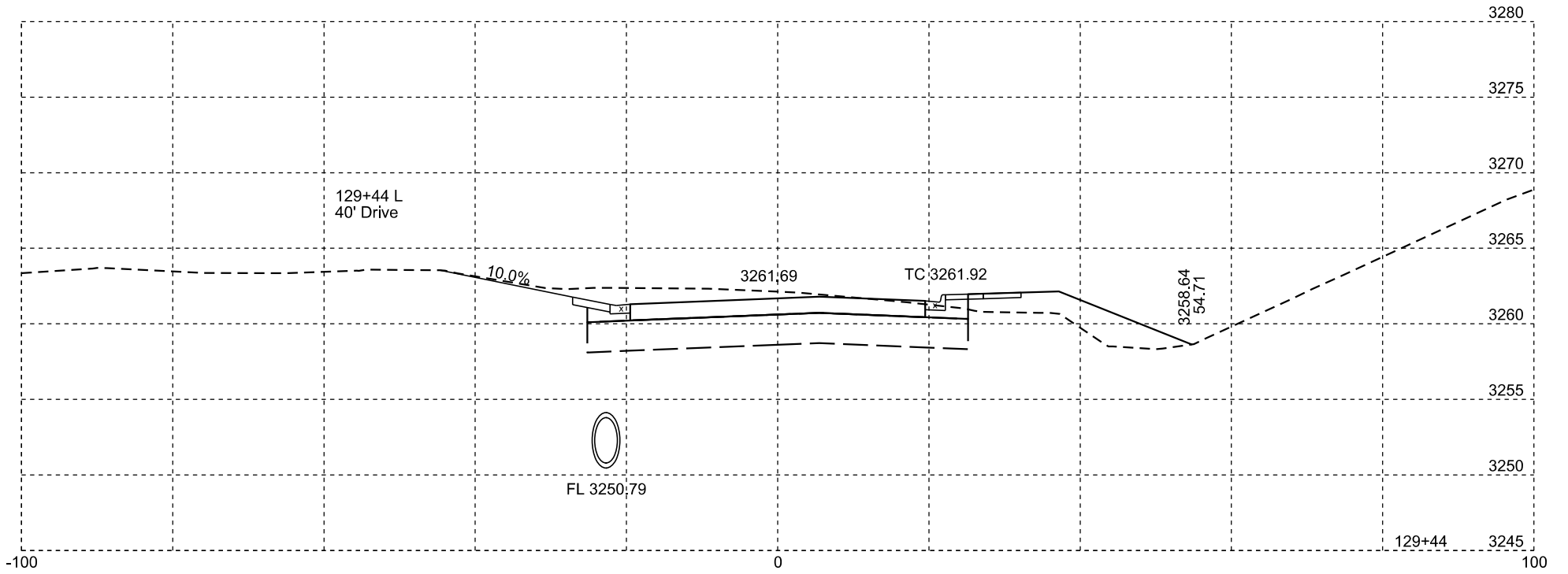
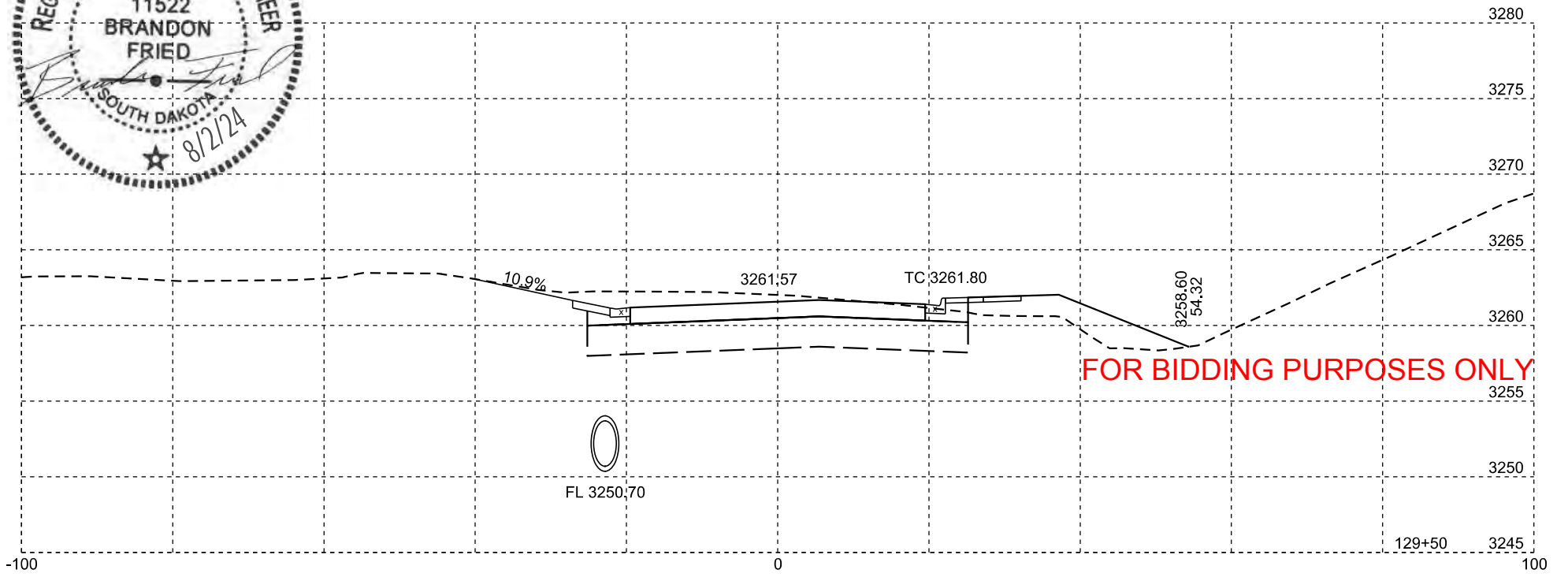
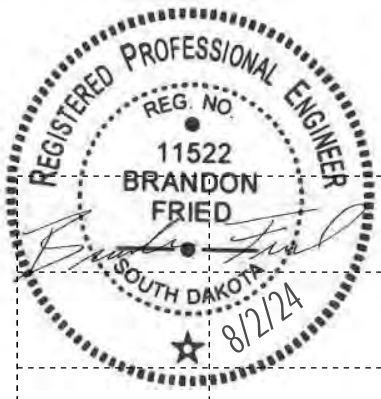


- Unstable
- Muck
- x - Modified Type B69 Curb & Gutter/P6 Gutter



Rev. 8/2/2024 BAF
Plotting Date: 7/31/2024

STATE OF SOUTH DAKOTA	PROJECT	SHEET NO.	TOTAL SHEETS
	NH-CR-EM 0018(195)103 P 0407(05)01		
	X6		X56

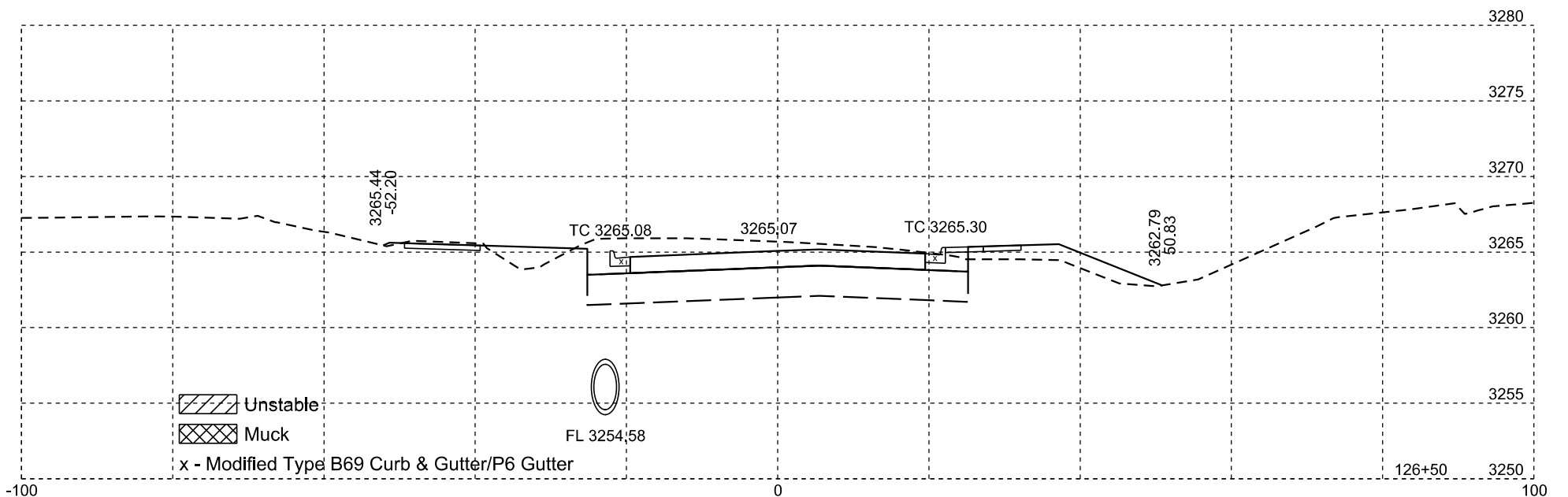
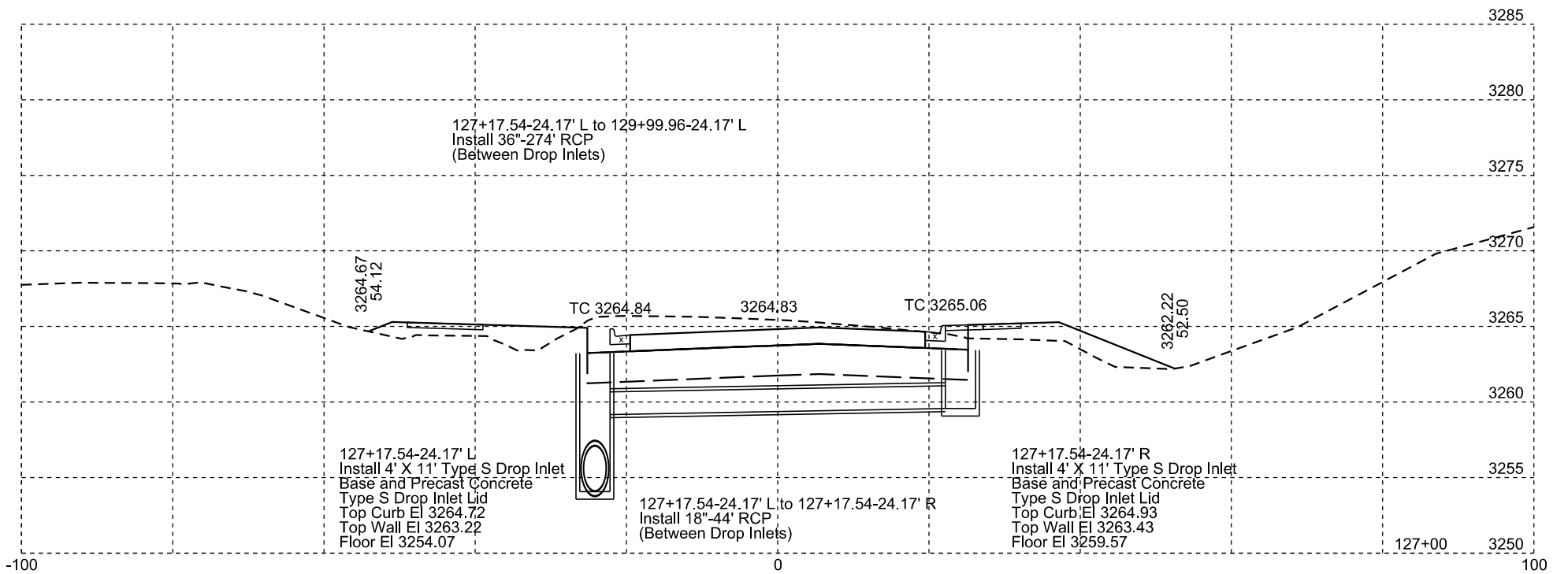
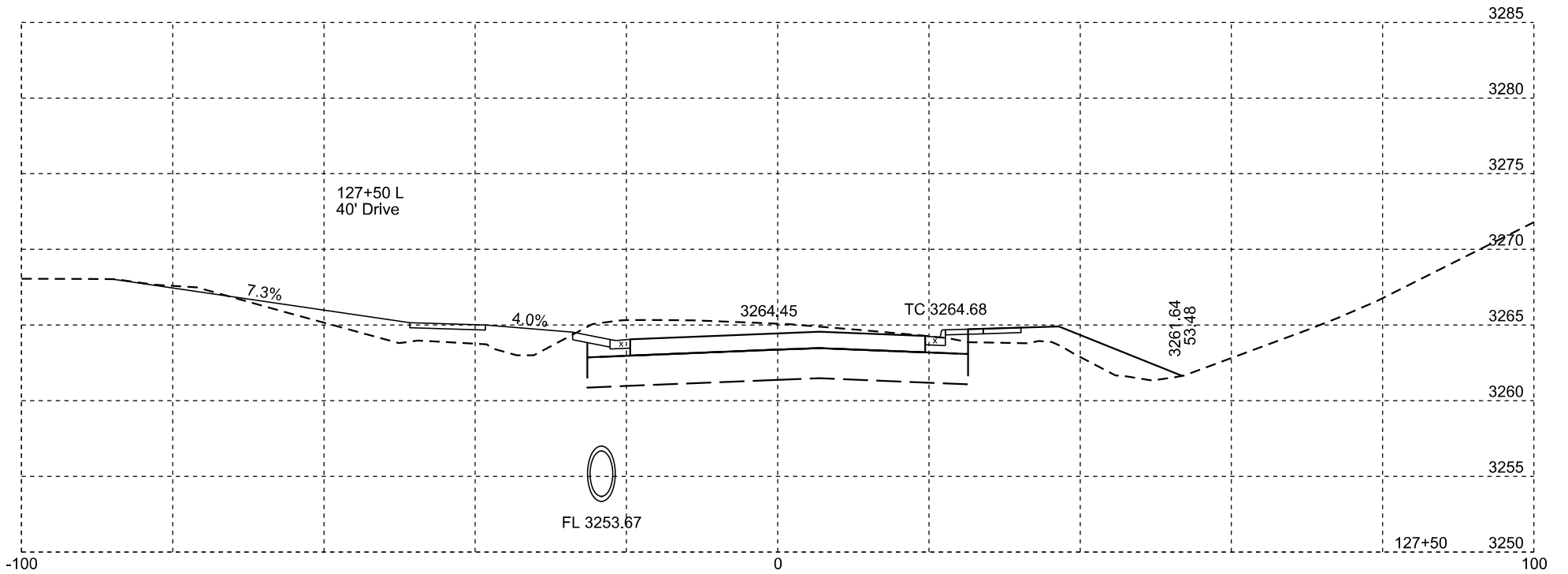
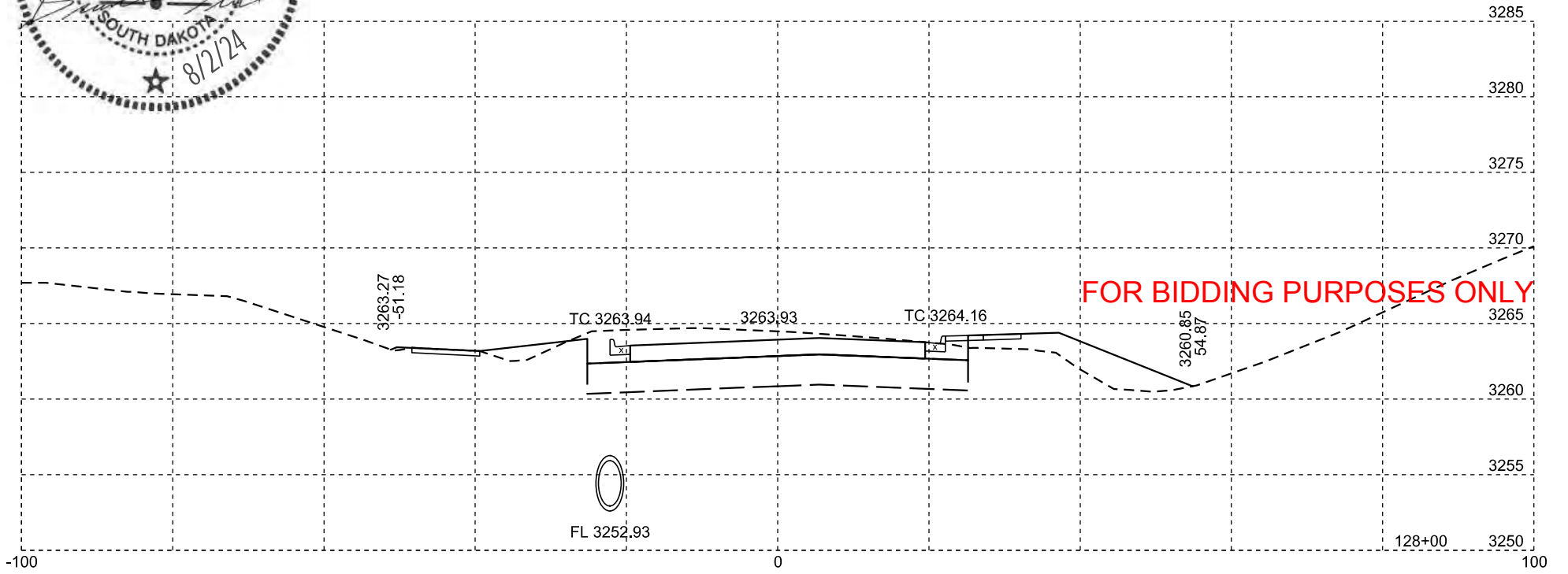
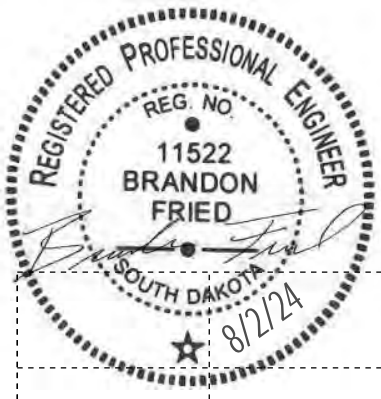


- Unstable
- Muck
- x - Modified Type B69 Curb & Gutter/P6 Gutter



Rev. 8/2/2024 BAF
 Plotting Date: 7/31/2024

STATE OF SOUTH DAKOTA	PROJECT	SHEET NO.	TOTAL SHEETS
	NH-CR-EM 0018(195)103 P 0407(05)01		



Unstable
 Muck
 x - Modified Type B69 Curb & Gutter/P6 Gutter

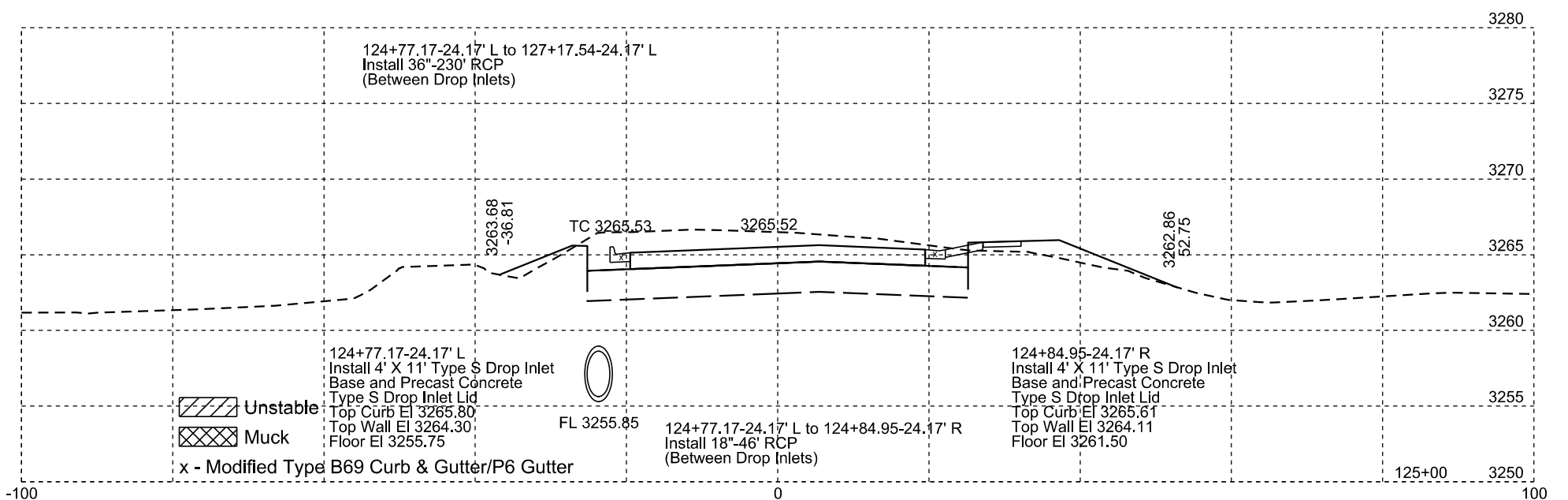
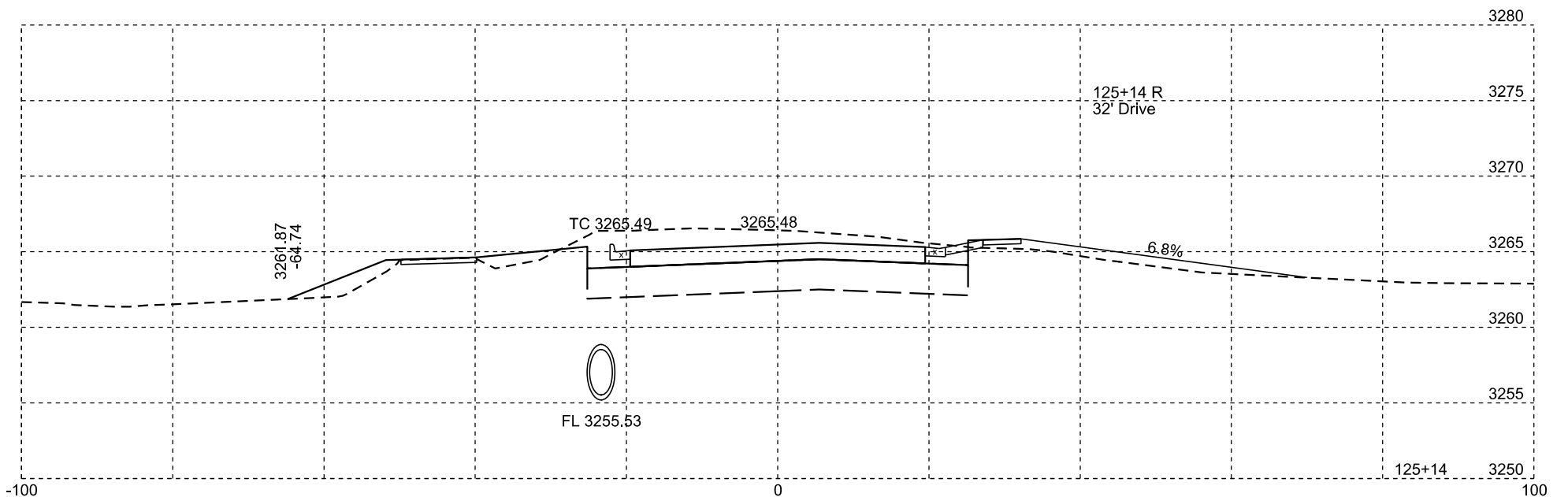
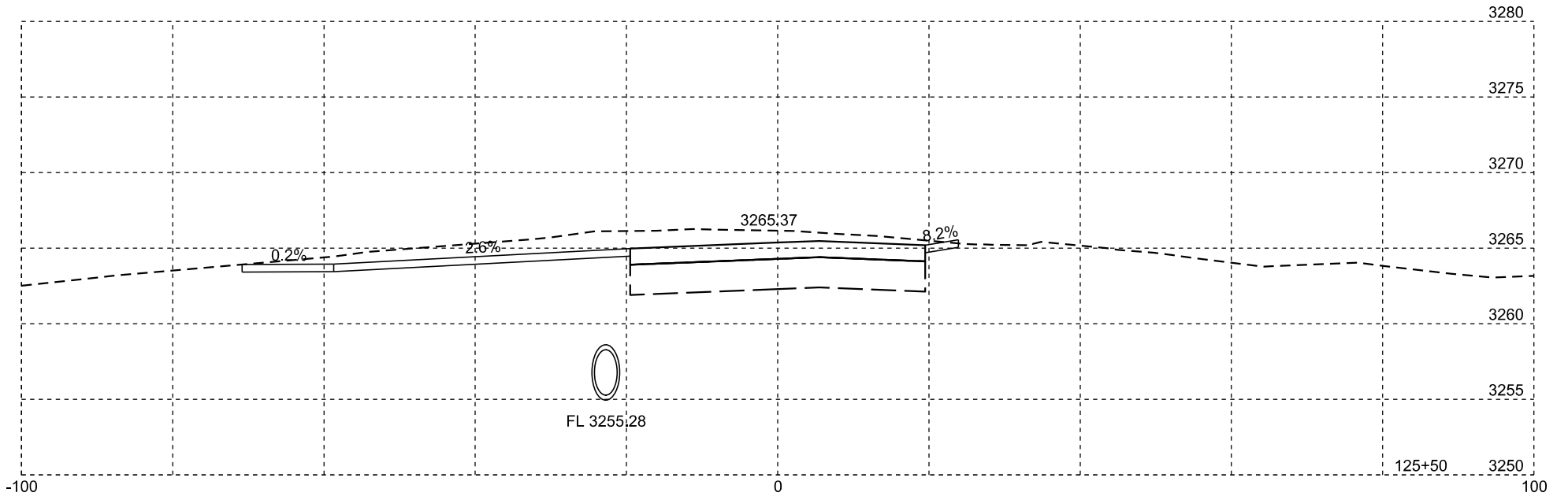
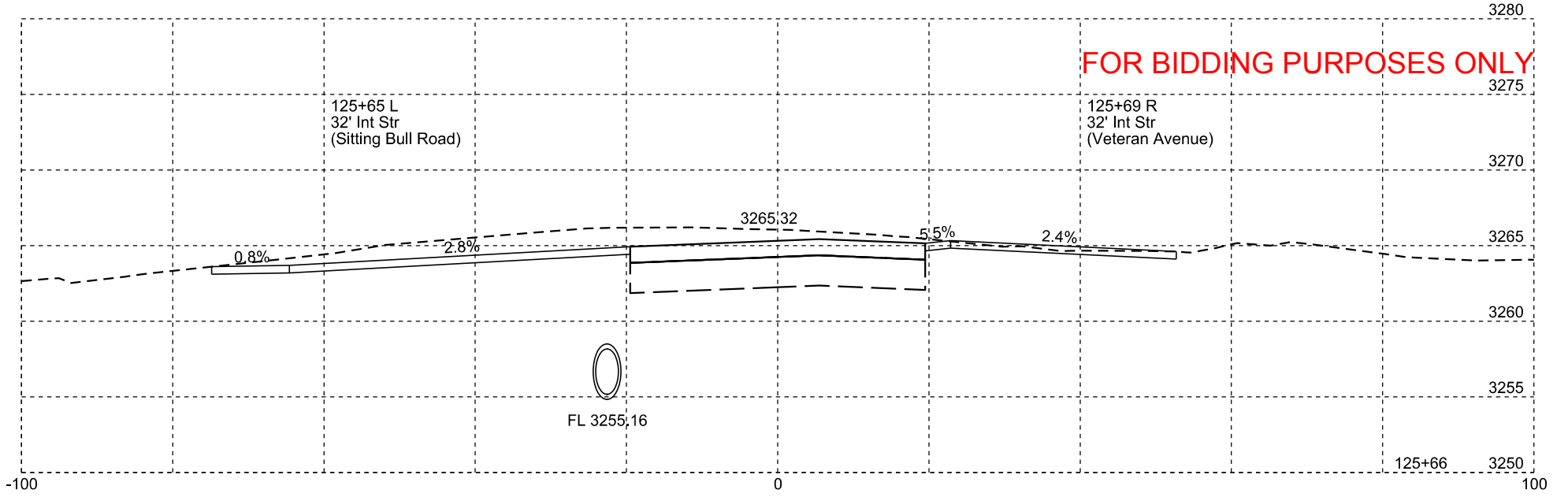


Rev. 8/2/2024 BAF
Plotting Date: 7/31/2024

STATE OF SOUTH DAKOTA	PROJECT	SHEET NO.	TOTAL SHEETS
	NH-CR-EM 0018(195)103 P 0407(05)01		



FOR BIDDING PURPOSES ONLY



- Unstable
- Muck
- x - Modified Type B69 Curb & Gutter/P6 Gutter

124+77.17-24.17' L
Install 4' X 11' Type S Drop Inlet
Base and Precast Concrete
Type S Drop Inlet Lid
Top Curb El 3265.80
Top Wall El 3264.30
Floor El 3255.75

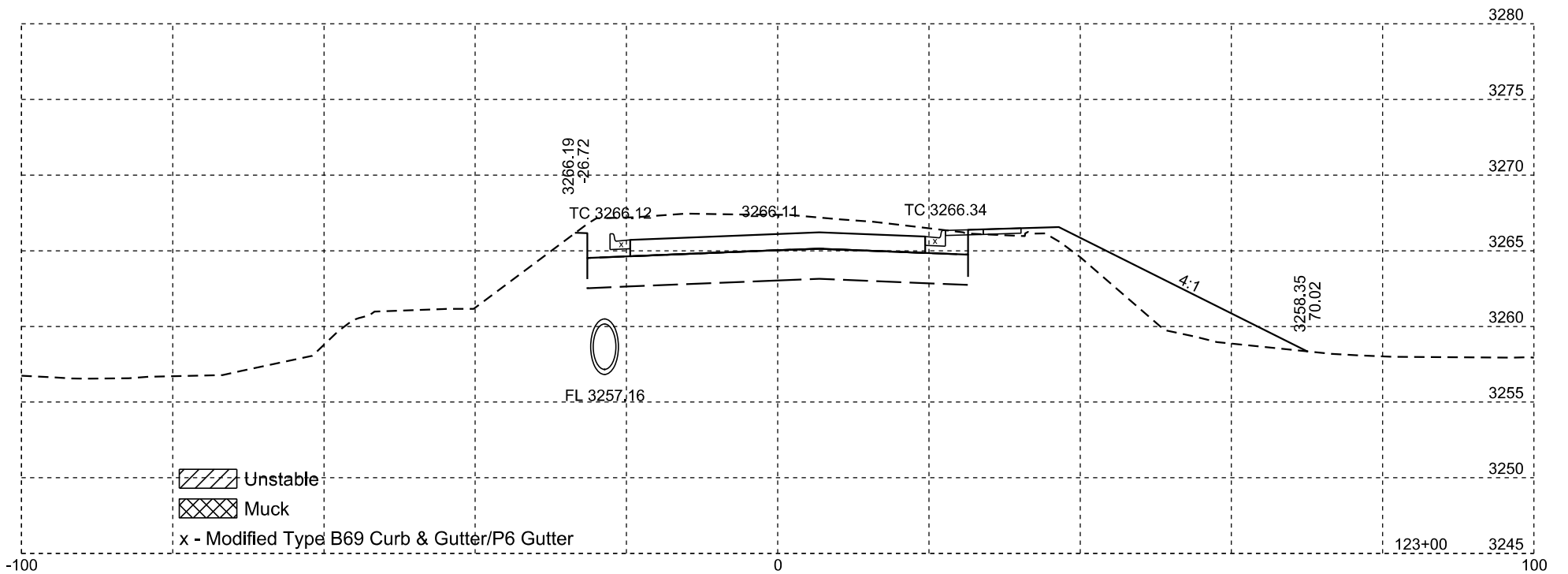
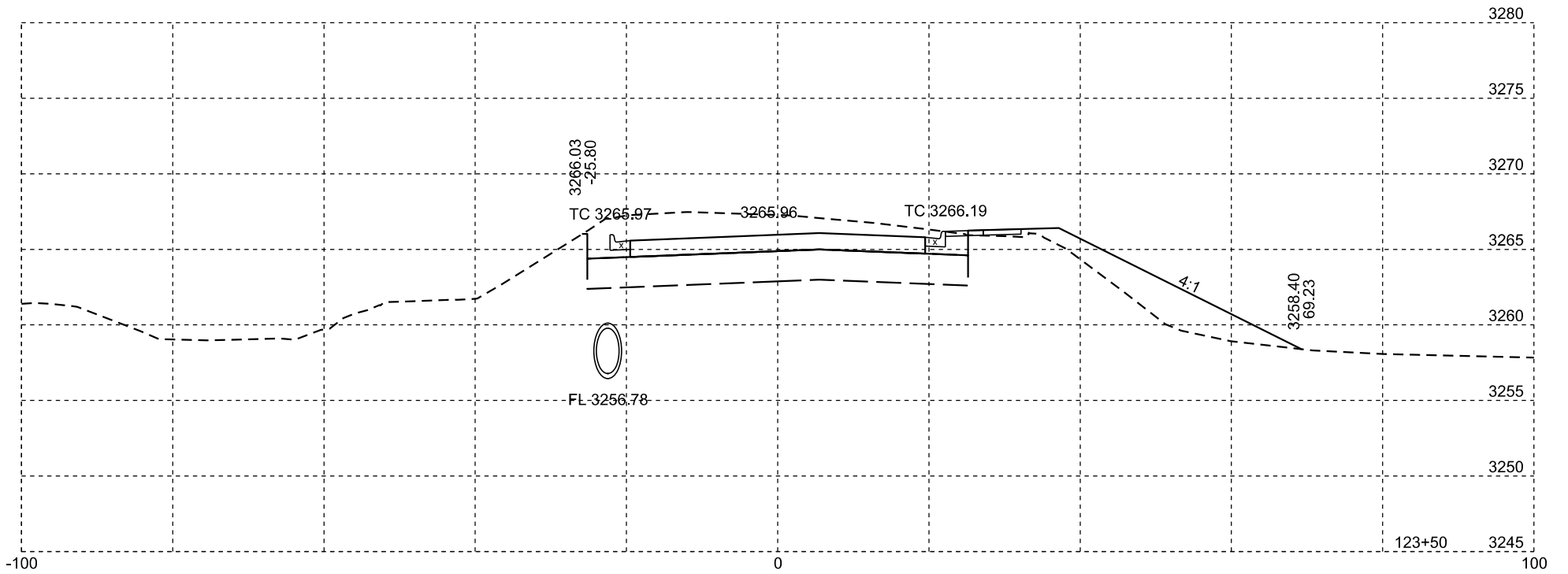
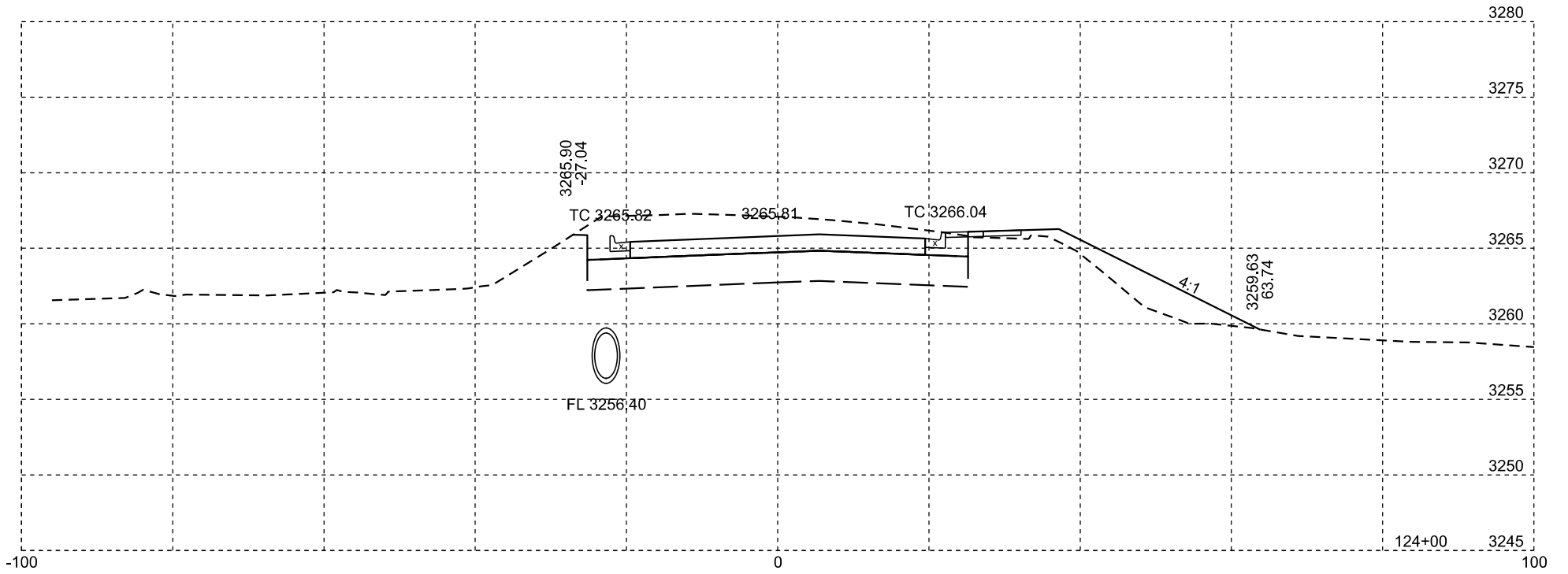
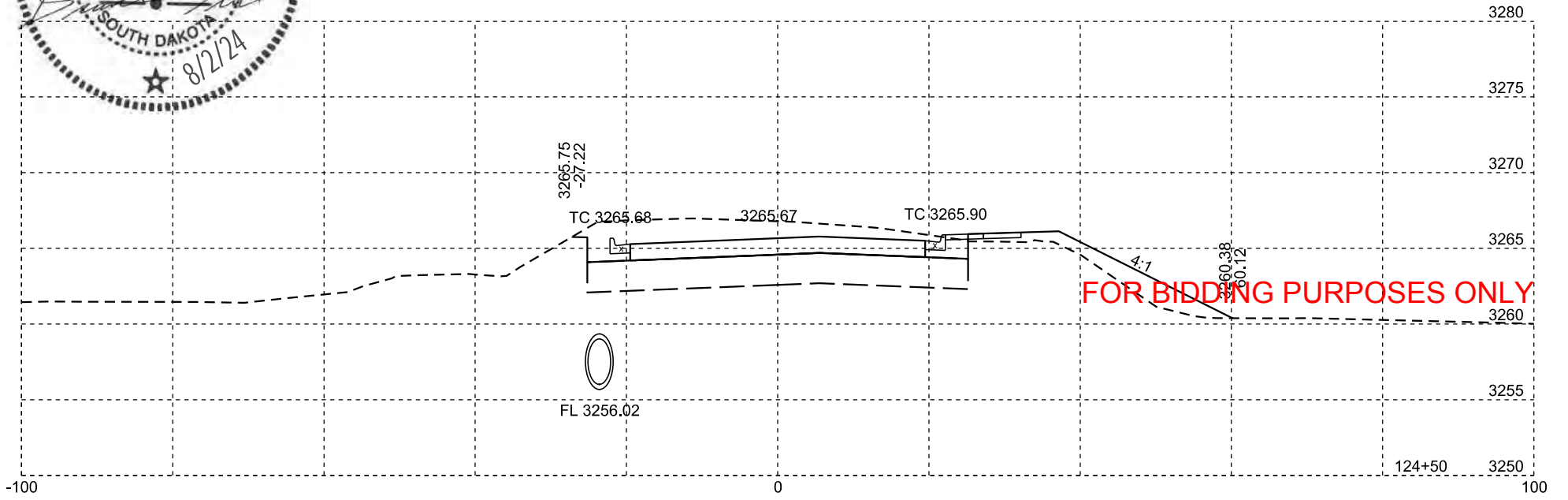
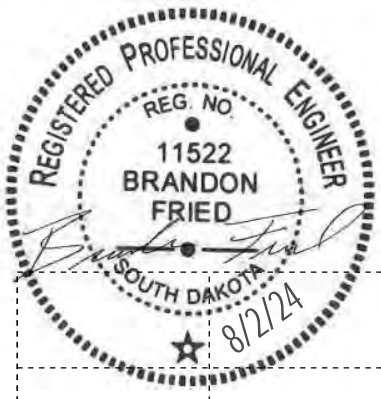
124+77.17-24.17' L to 124+84.95-24.17' R
Install 18"-46' RCP
(Between Drop Inlets)

124+84.95-24.17' R
Install 4' X 11' Type S Drop Inlet
Base and Precast Concrete
Type S Drop Inlet Lid
Top Curb El 3265.61
Top Wall El 3264.11
Floor El 3261.50



Rev. 8/2/2024 BAF
Plotting Date: 7/31/2024

STATE OF SOUTH DAKOTA	PROJECT	SHEET NO.	TOTAL SHEETS
	NH-CR-EM 0018(195)103 P 0407(05)01		
		X9	X56

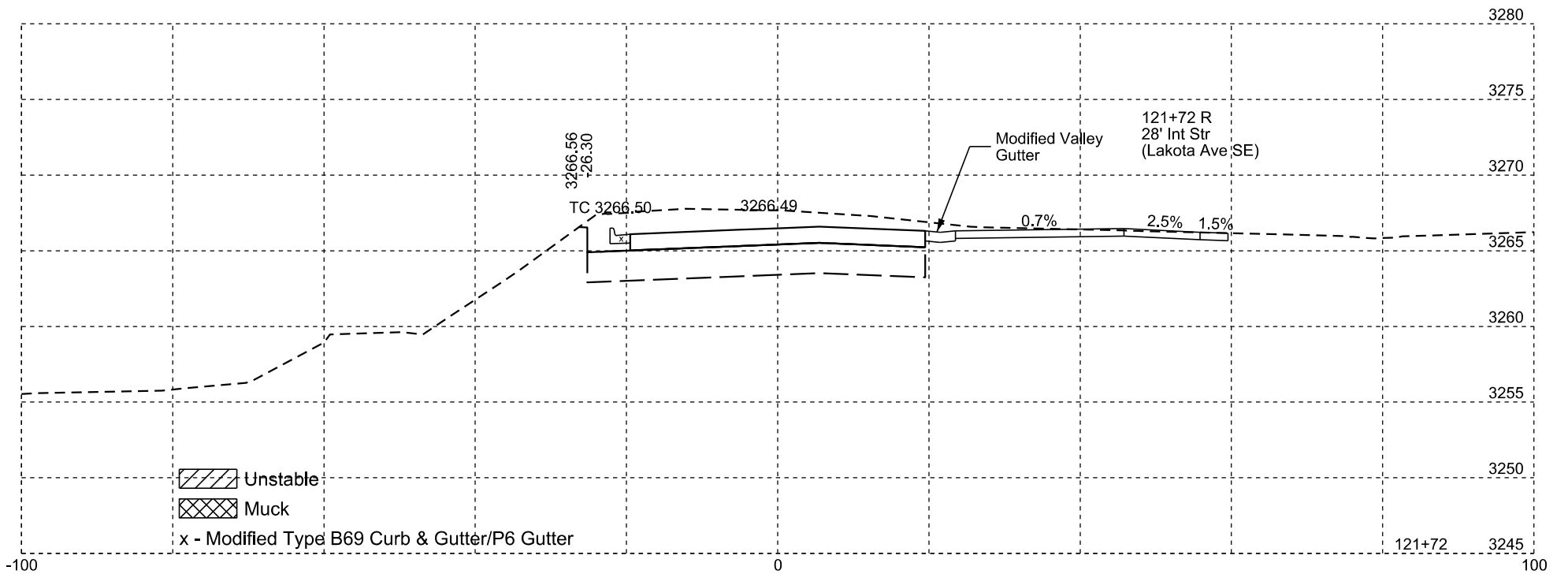
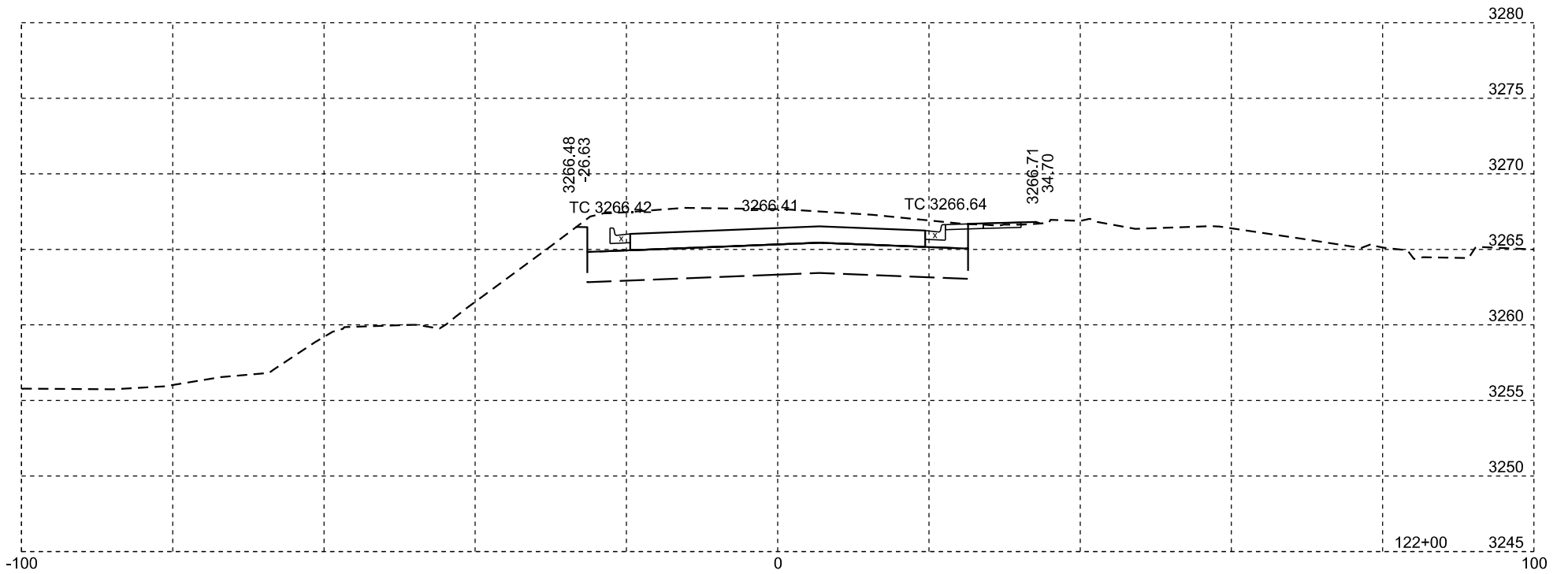
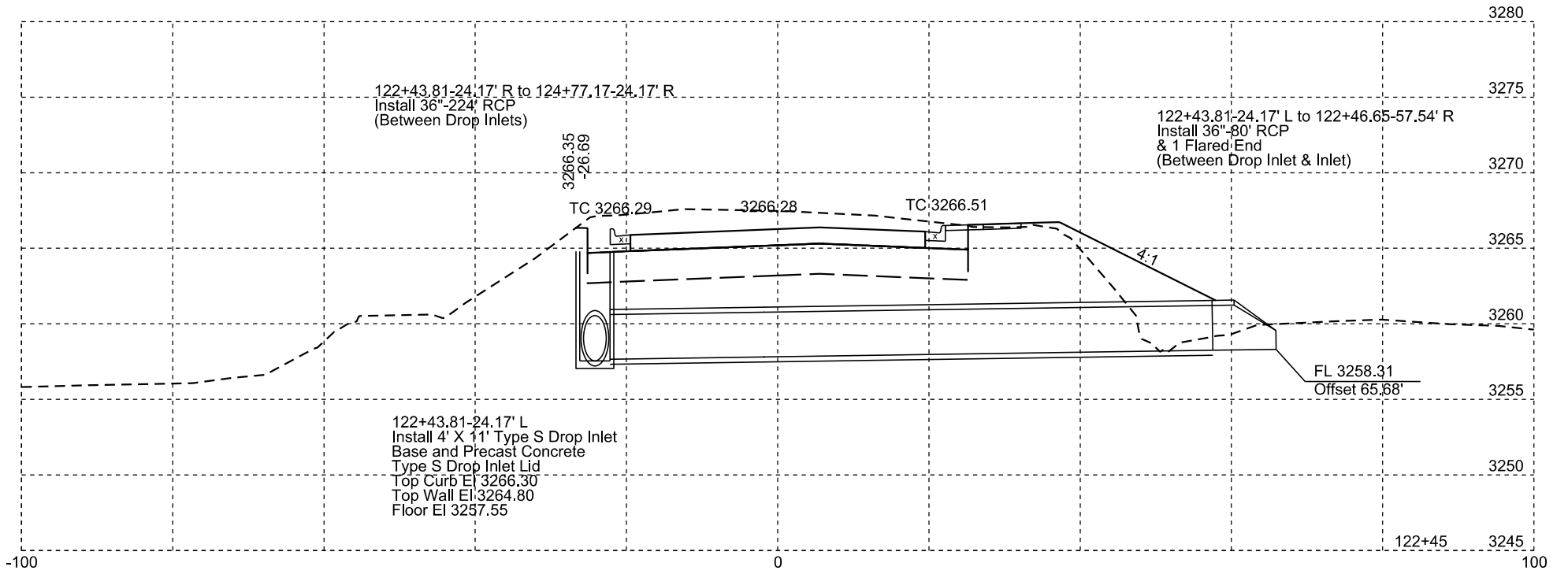
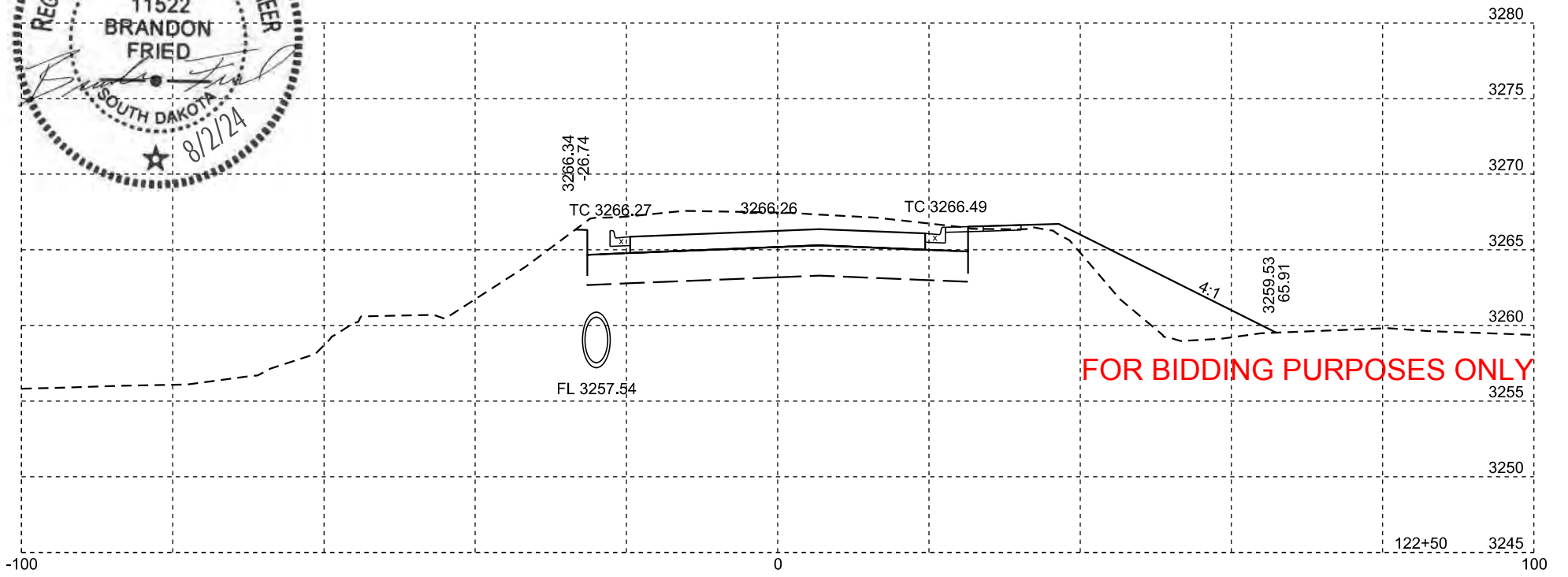
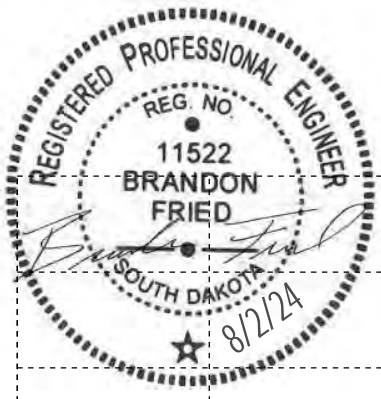


Unstable
 Muck
 x - Modified Type B69 Curb & Gutter/P6 Gutter



Rev. 8/2/2024 BAF
Plotting Date: 7/31/2024

STATE OF SOUTH DAKOTA	PROJECT	SHEET NO.	TOTAL SHEETS
	NH-CR-EM 0018(195)103 P 0407(05)01		

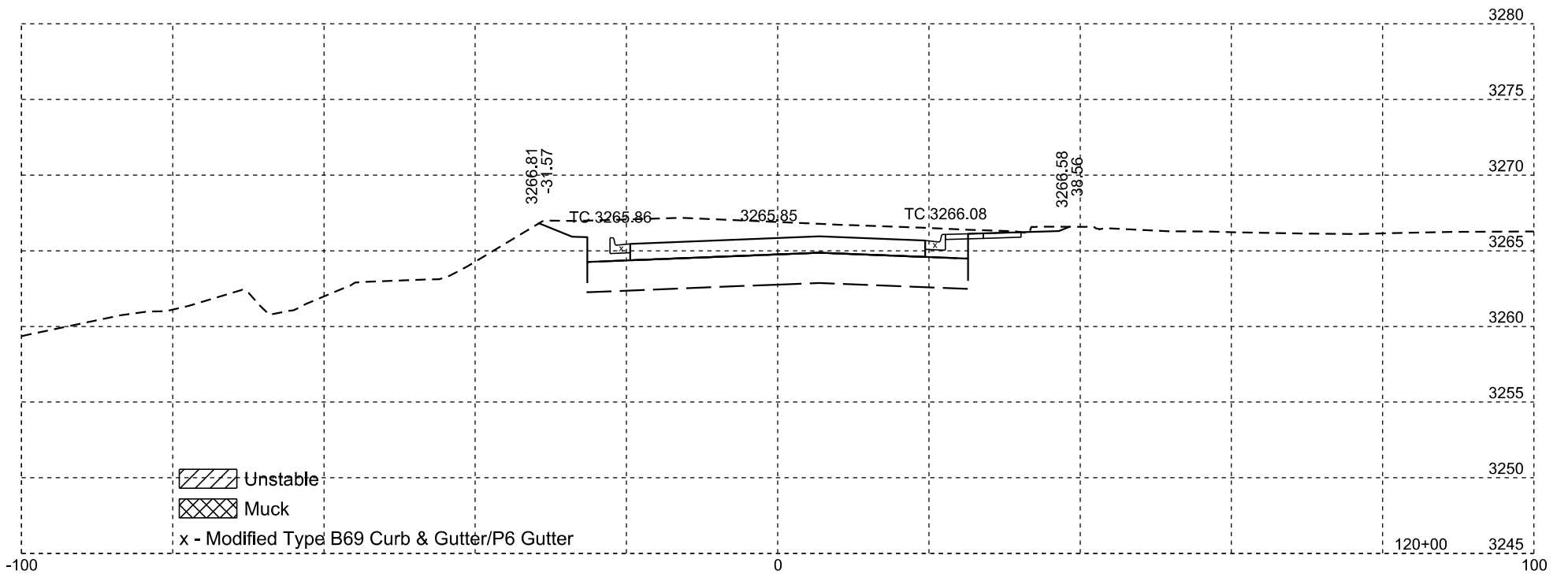
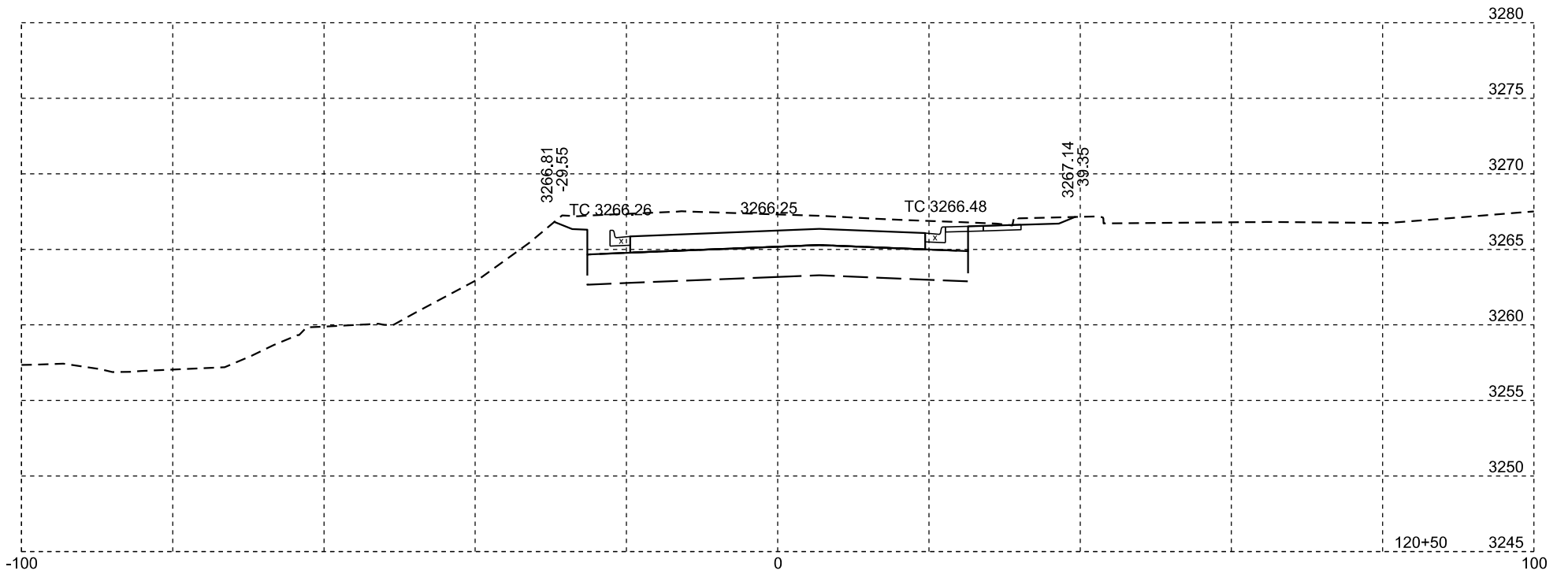
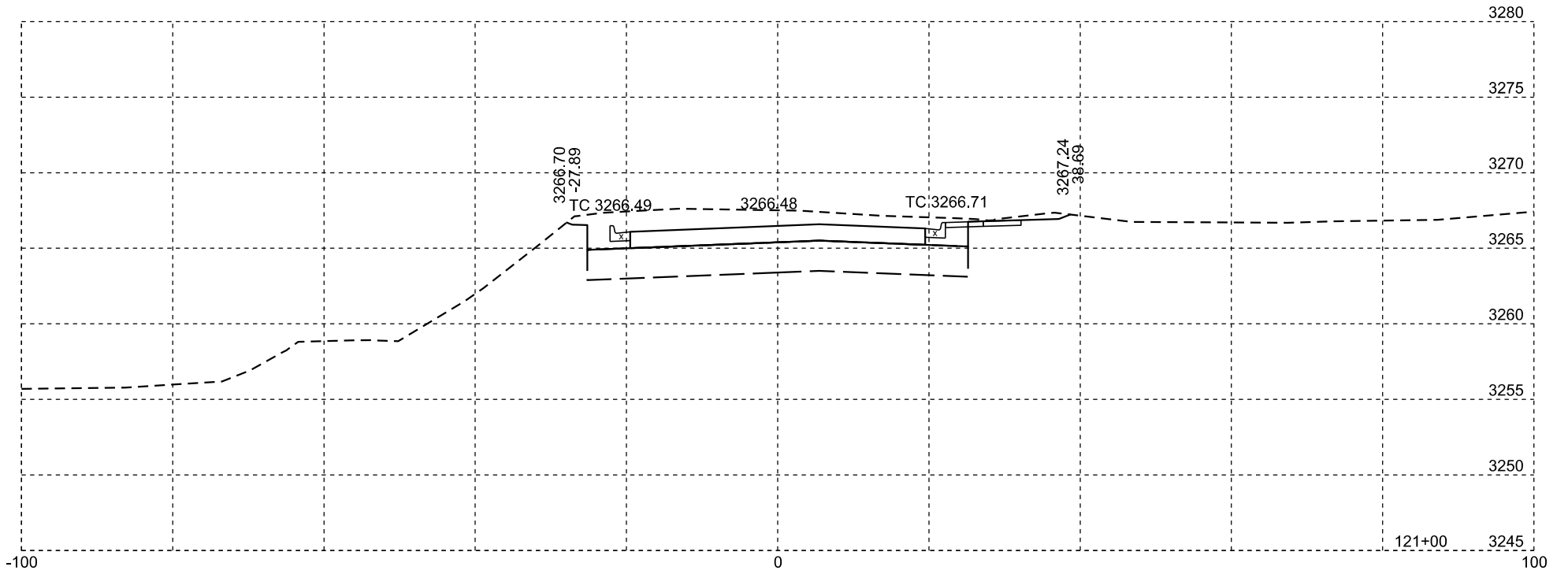
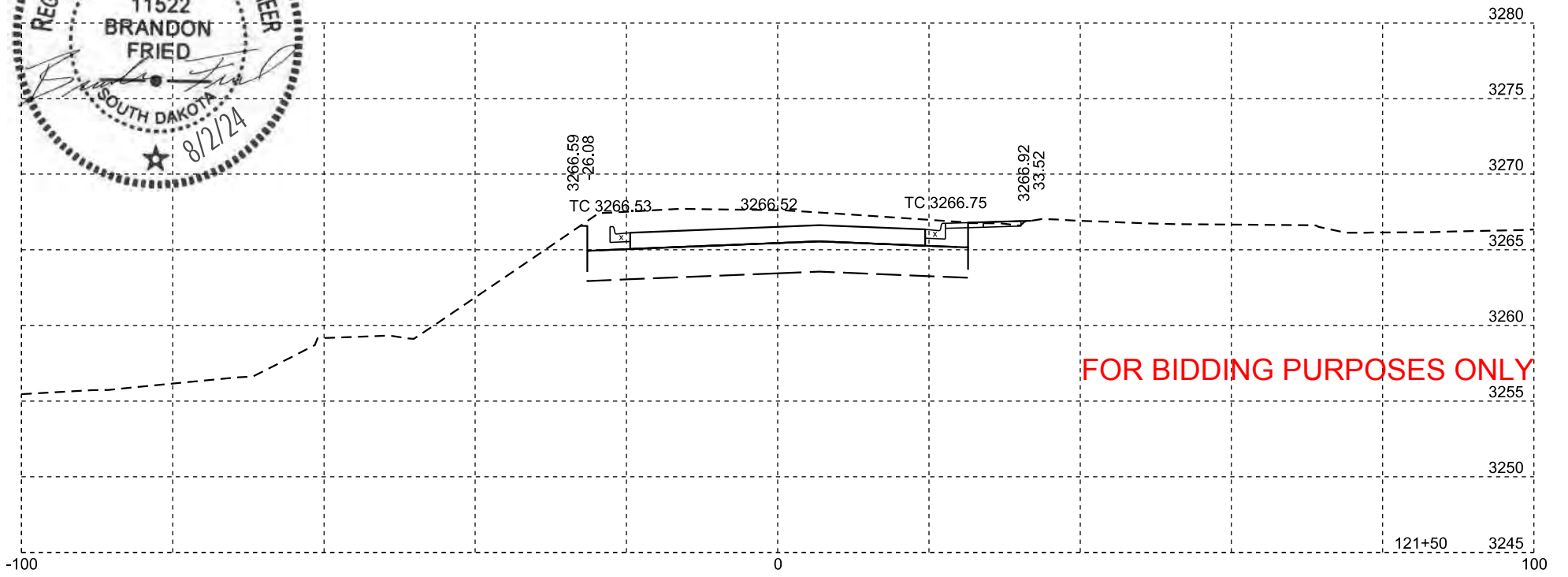
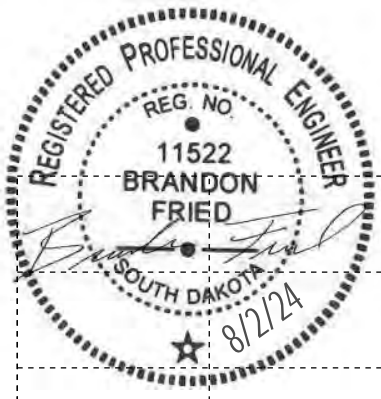


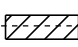
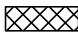
- Unstable
- Muck
- x - Modified Type B69 Curb & Gutter/P6 Gutter



Rev. 8/2/2024 BAF
Plotting Date: 7/31/2024

STATE OF SOUTH DAKOTA	PROJECT	SHEET NO.	TOTAL SHEETS
	NH-CR-EM 0018(195)103 P 0407(05)01	X11	X56



 Unstable
 Muck
 x - Modified Type B69 Curb & Gutter/P6 Gutter

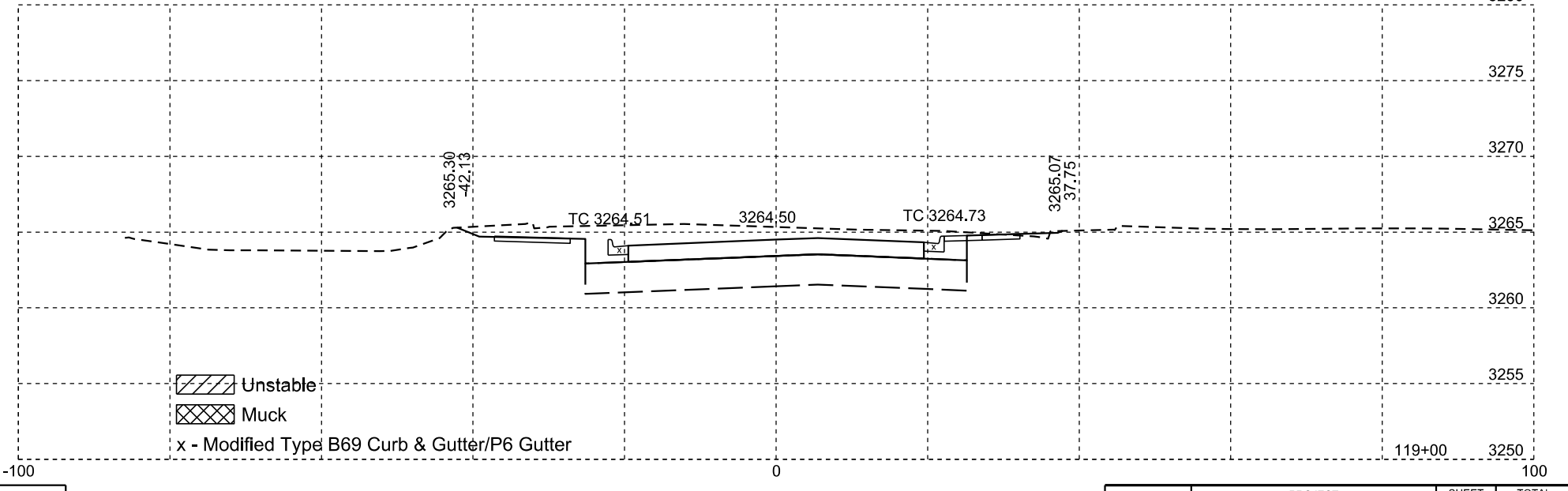
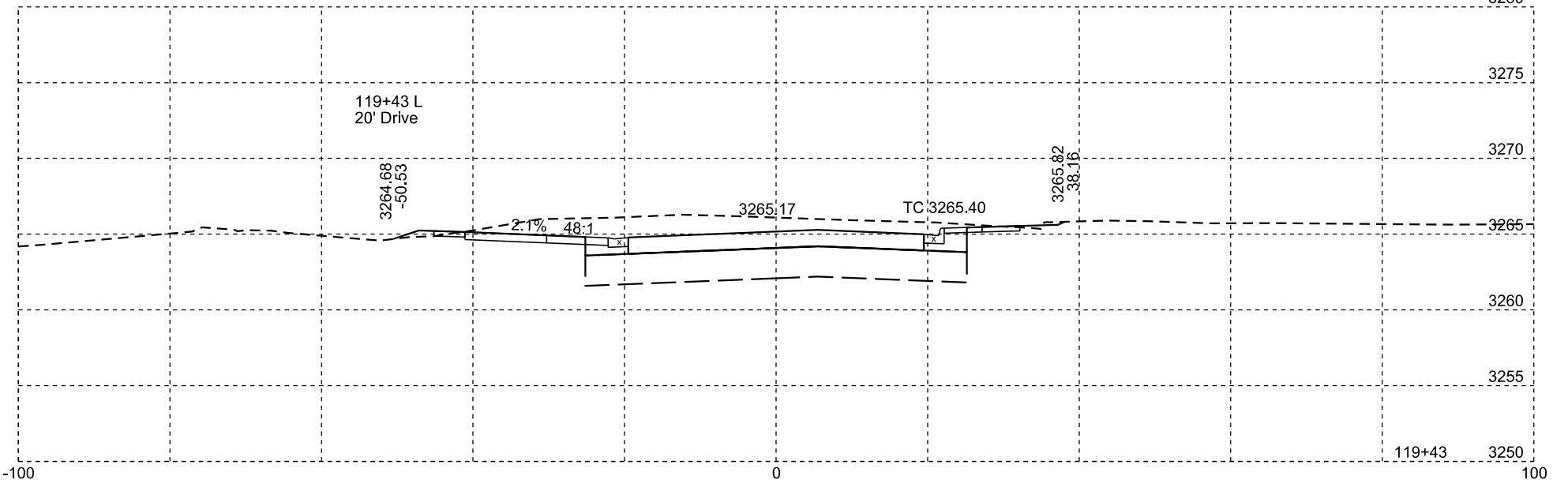
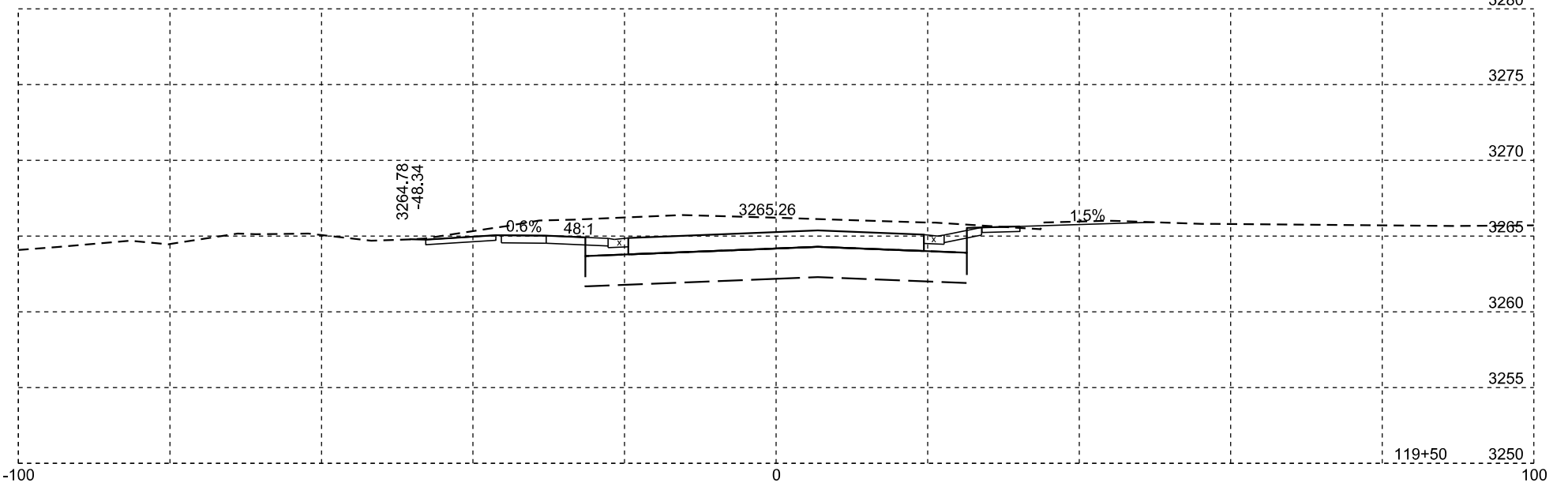
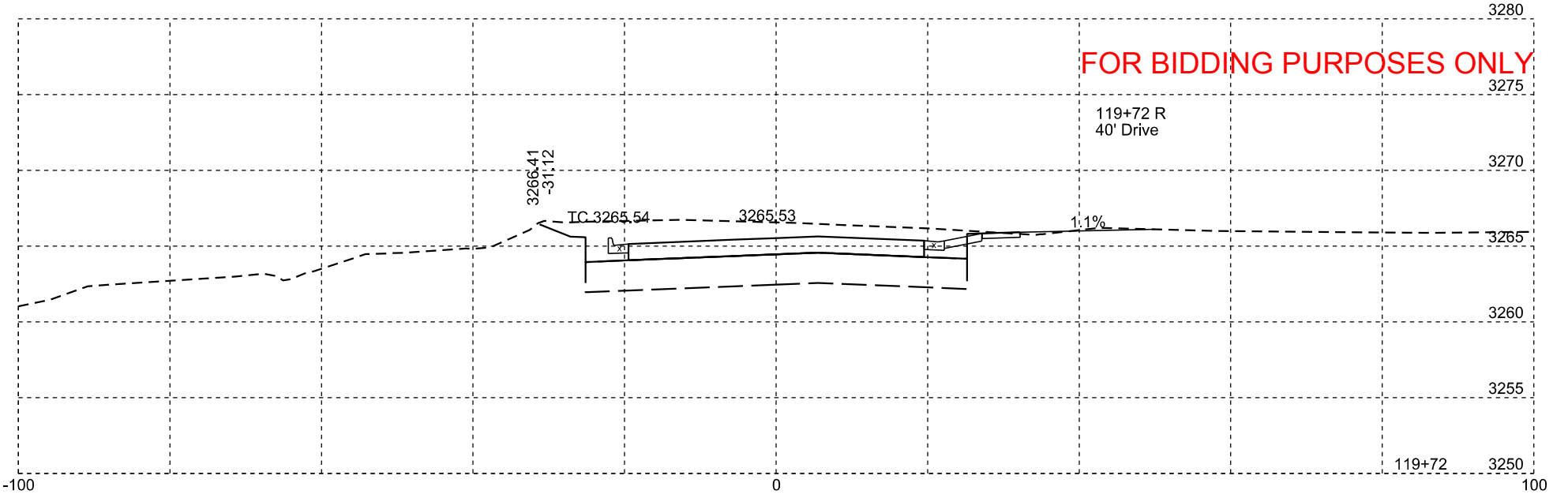


Rev. 8/2/2024 BAF
Plotting Date: 7/31/2024

STATE OF SOUTH DAKOTA	PROJECT	SHEET NO.	TOTAL SHEETS
	NH-CR-EM 0018(195)103 P 0407(05)01		



FOR BIDDING PURPOSES ONLY

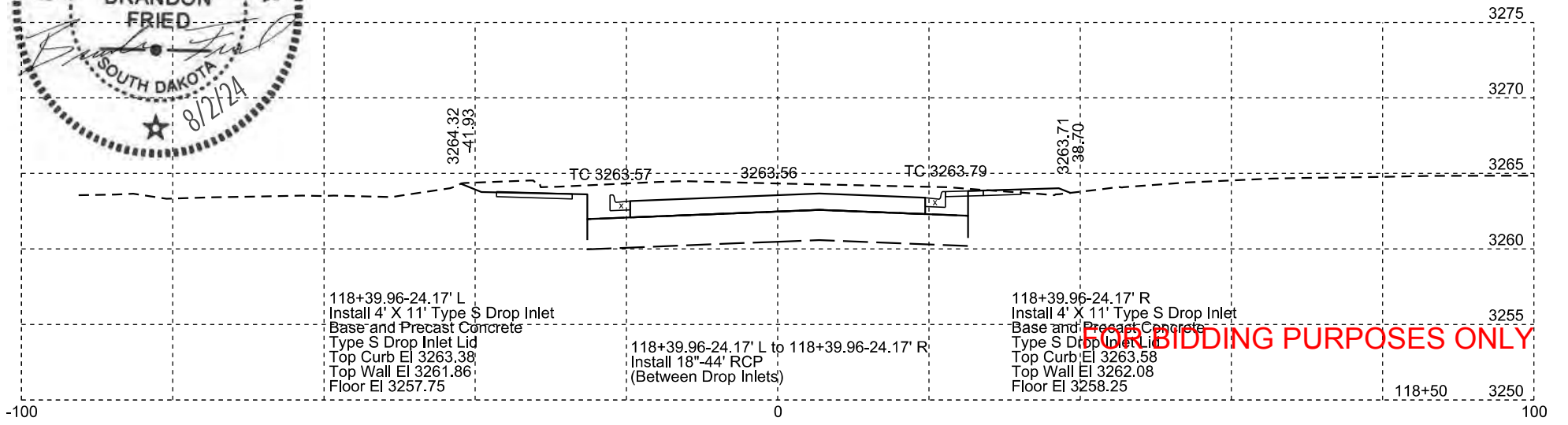


Unstable
 Muck
 x - Modified Type B69 Curb & Gutter/P6 Gutter

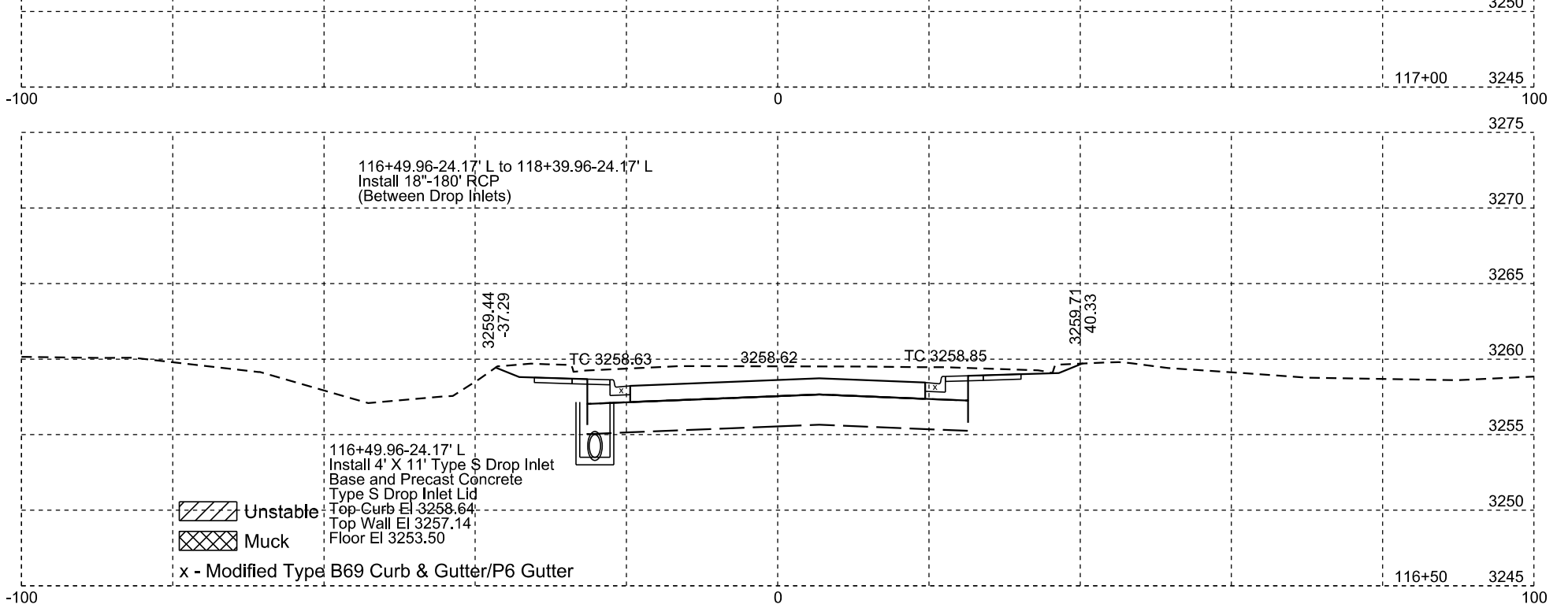
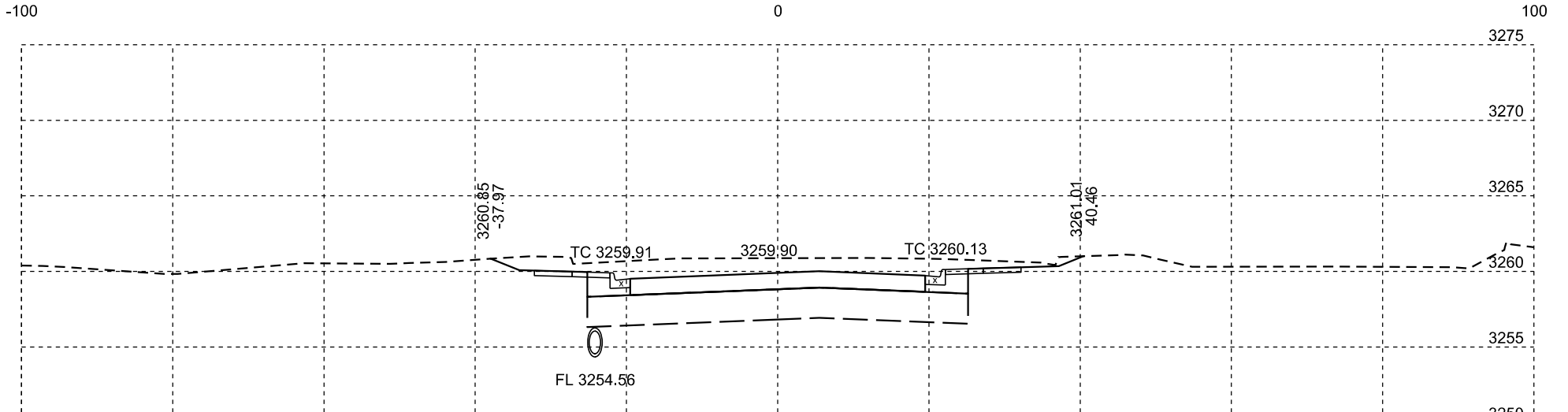
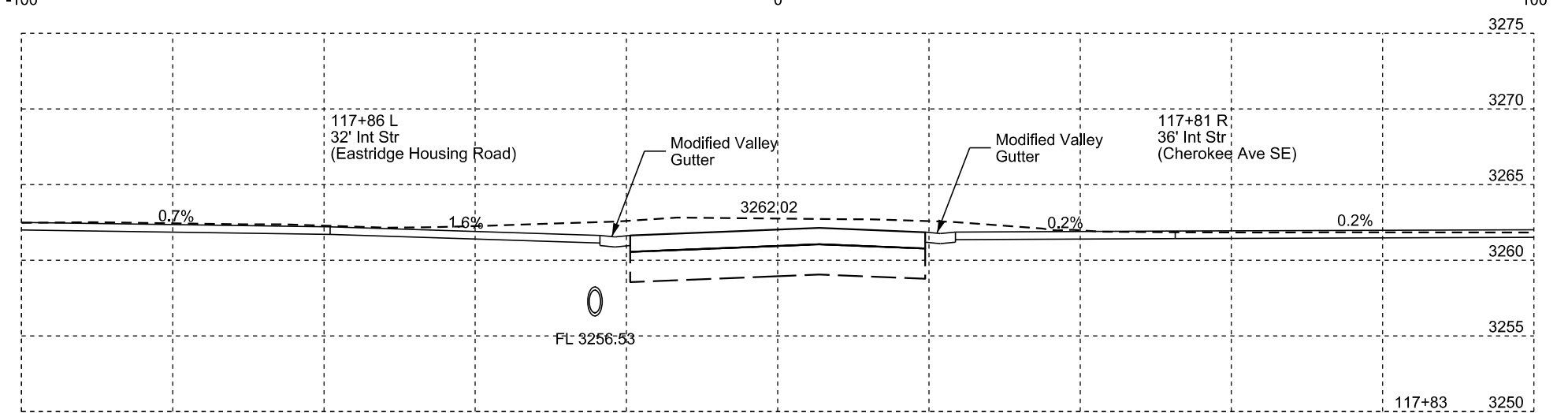
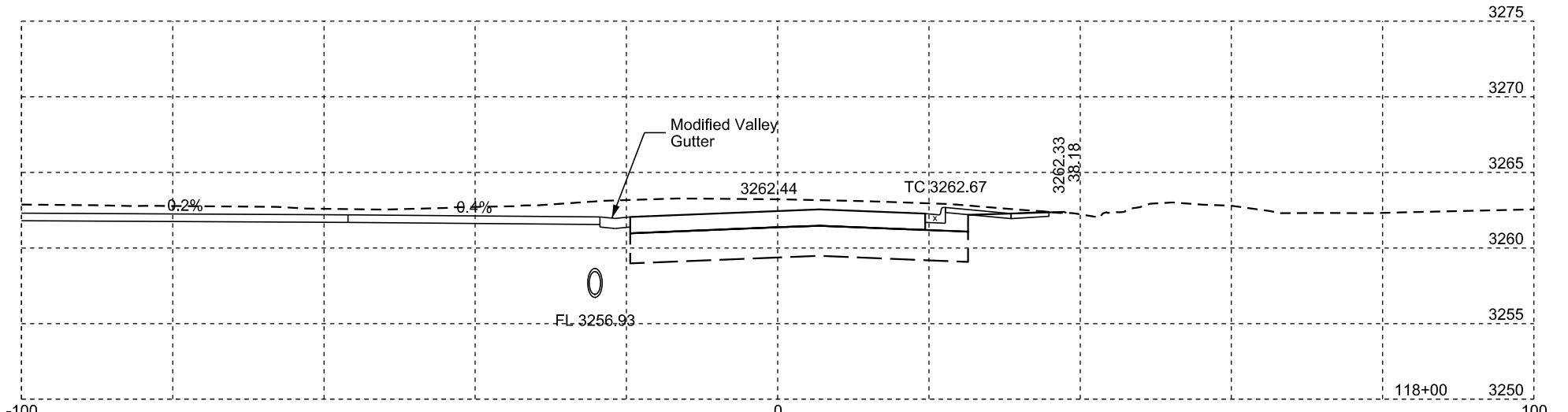


Rev. 8/2/2024 BAF
Plotting Date: 7/31/2024

STATE OF SOUTH DAKOTA	PROJECT	SHEET NO.	TOTAL SHEETS
	NH-CR-EM 0018(195)103 P 0407(05)01	X13	X56



FOR BIDDING PURPOSES ONLY



- Unstable
- Muck
- x - Modified Type B69 Curb & Gutter/P6 Gutter

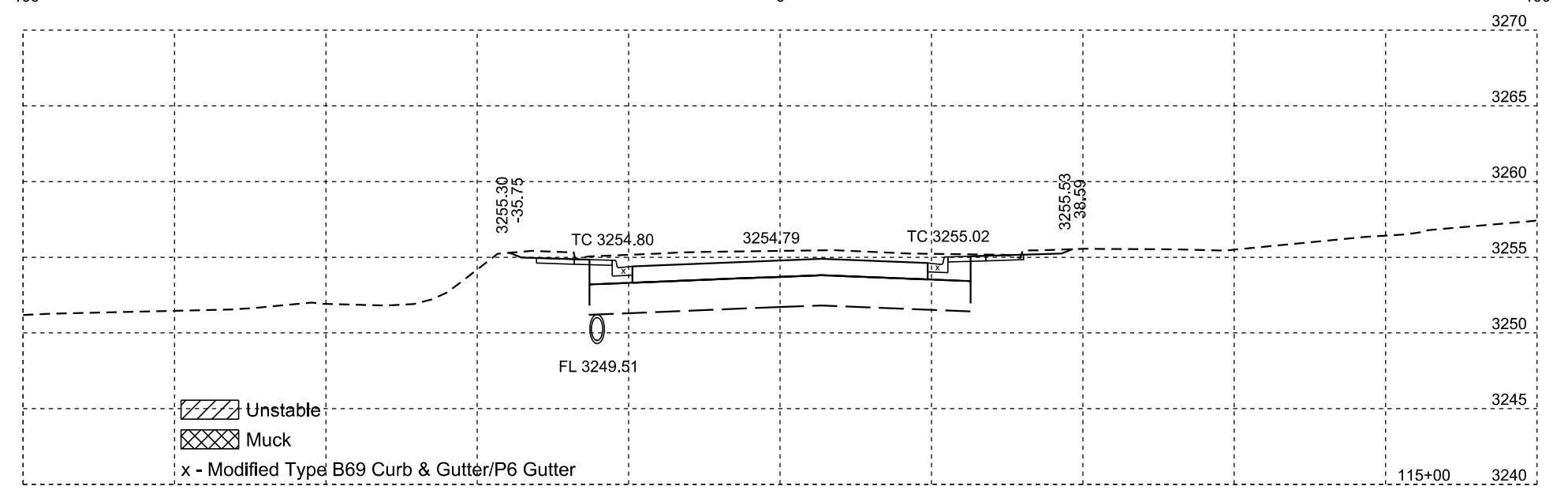
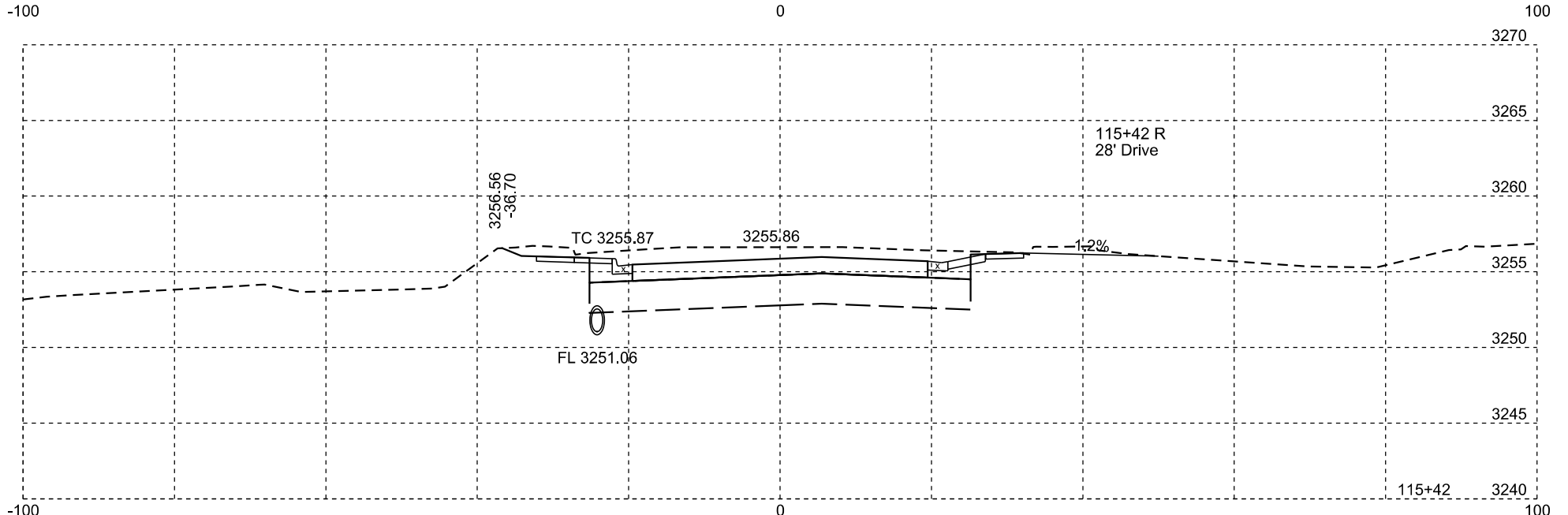
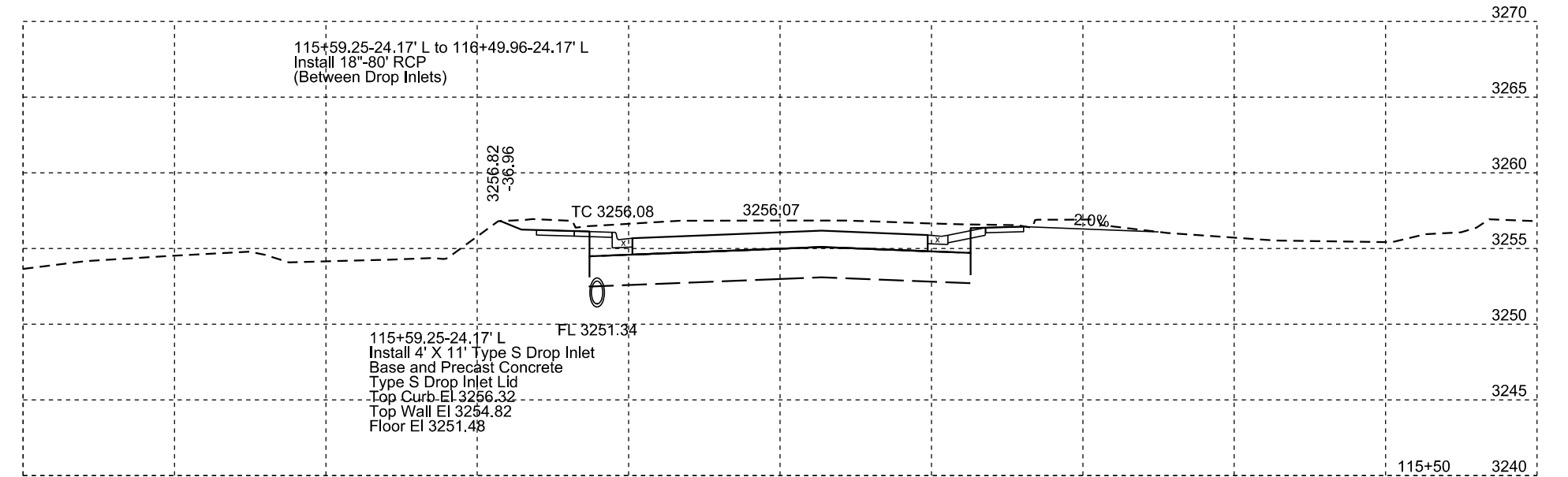
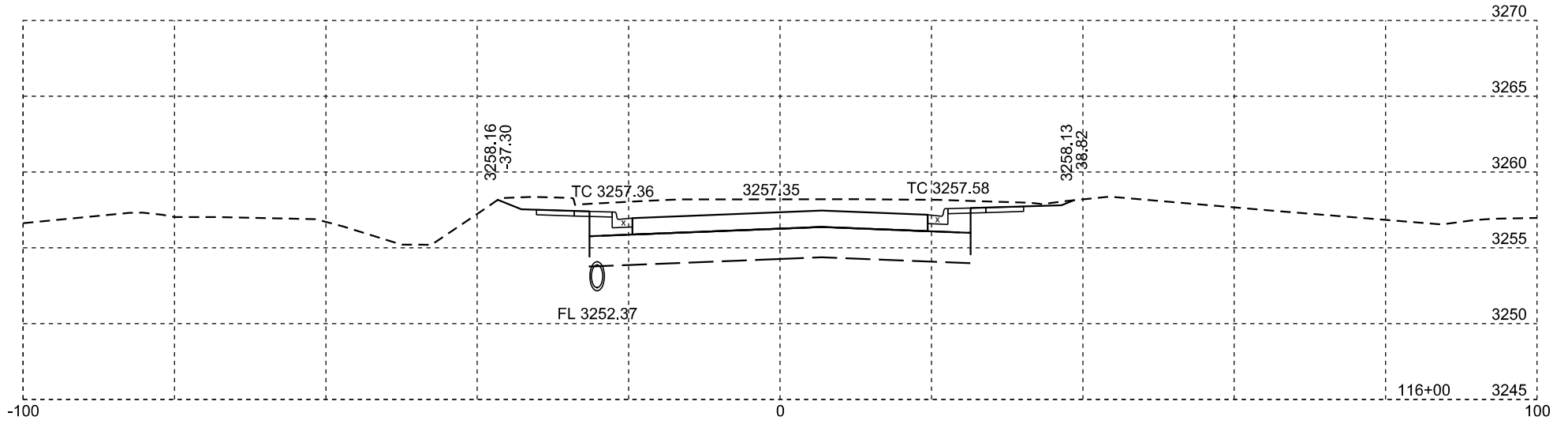


Rev. 8/2/2024 BAF
Plotting Date: 7/31/2024

STATE OF SOUTH DAKOTA	PROJECT	SHEET NO.	TOTAL SHEETS
	NH-CR-EM 0018(195)103 P 0407(05)01	X14	X56



FOR BIDDING PURPOSES ONLY

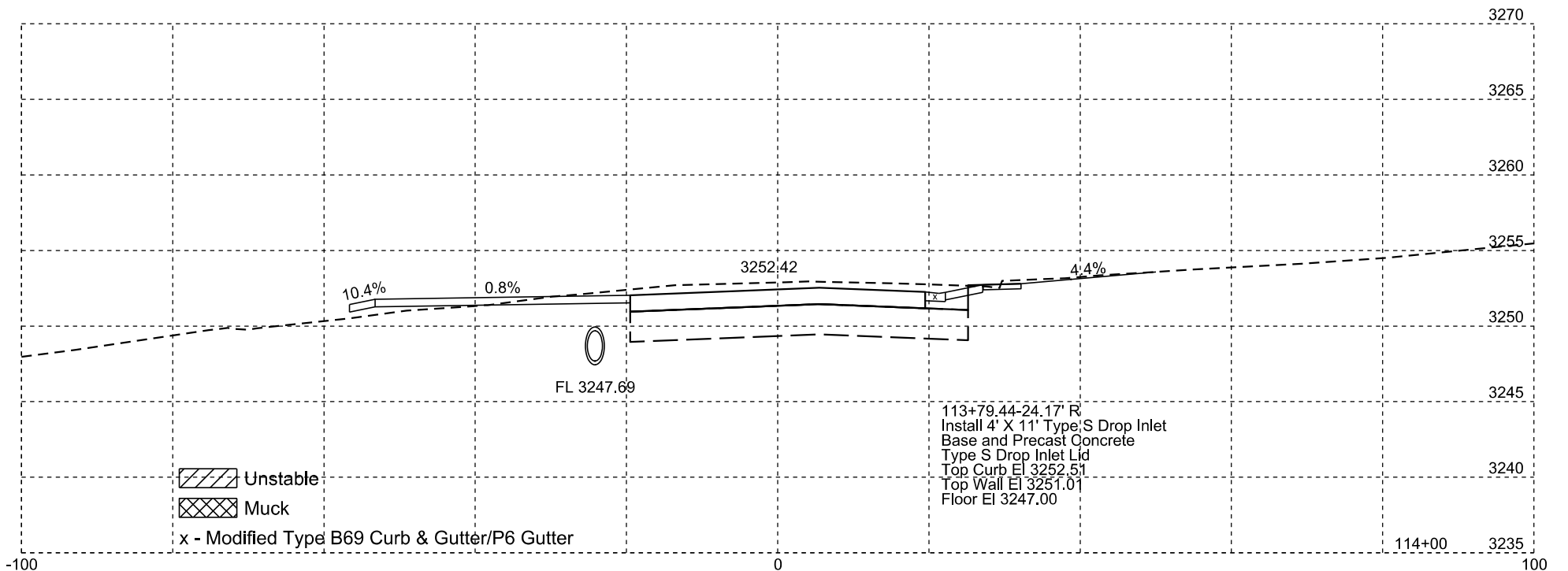
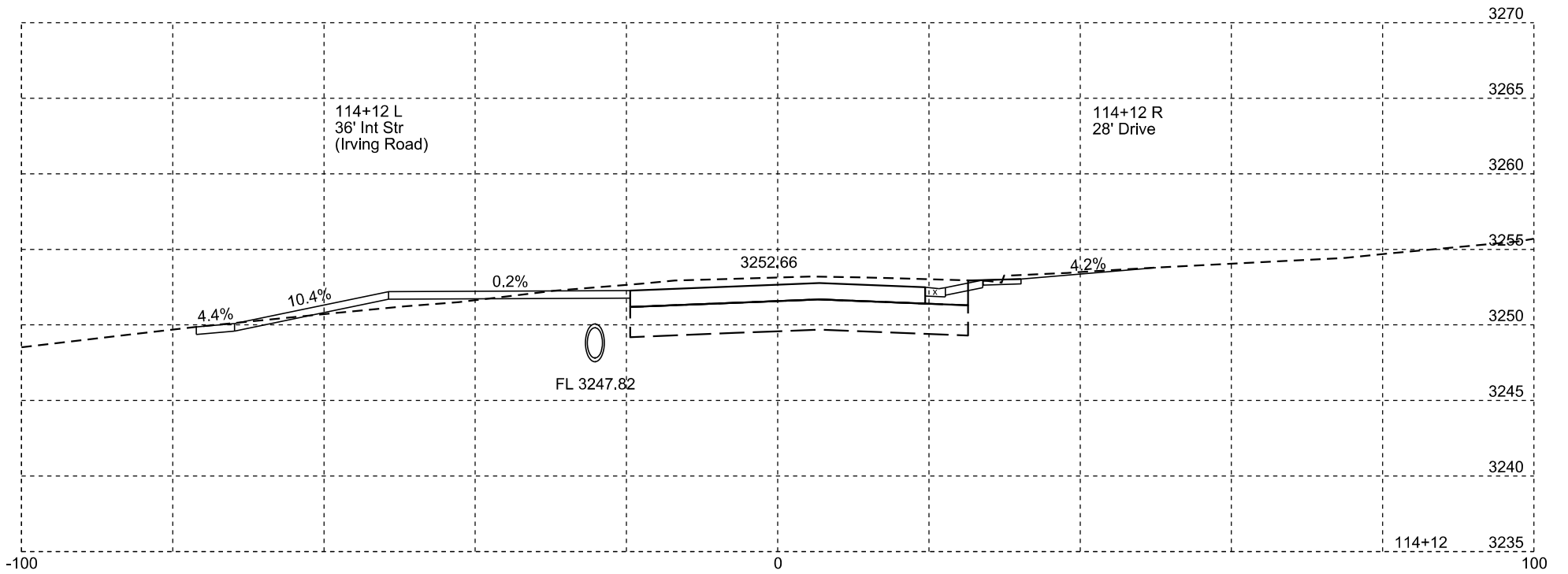
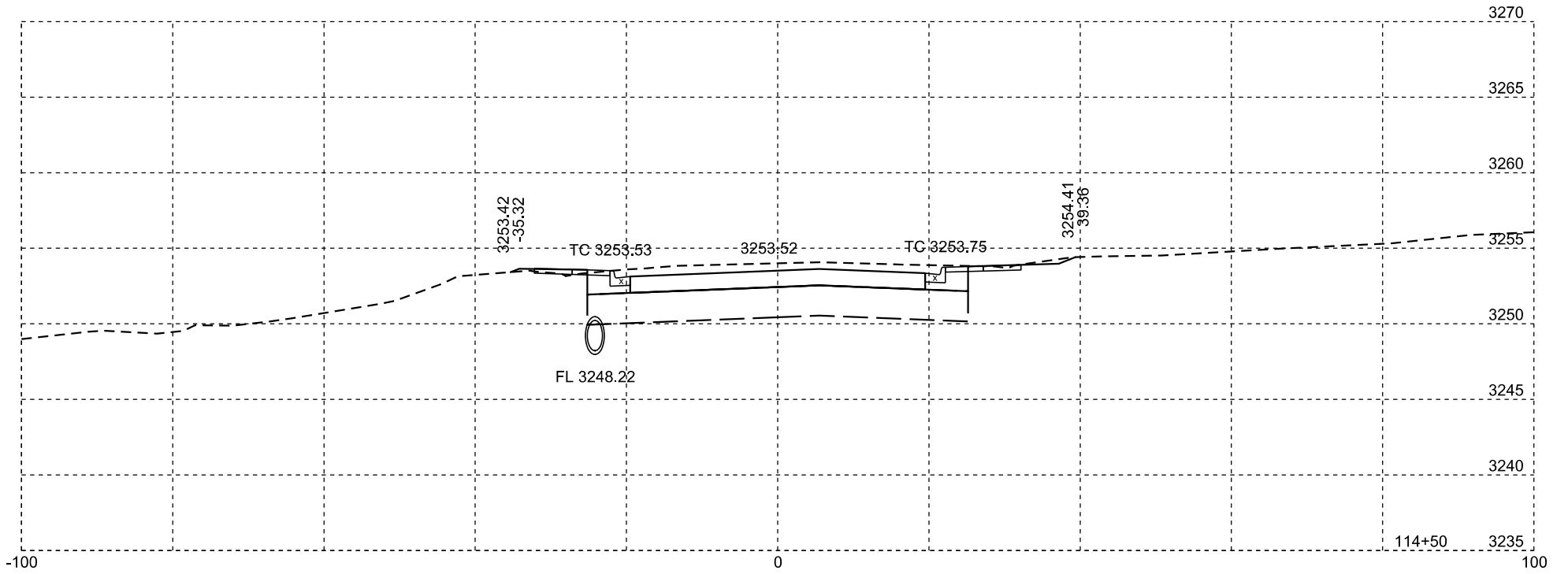
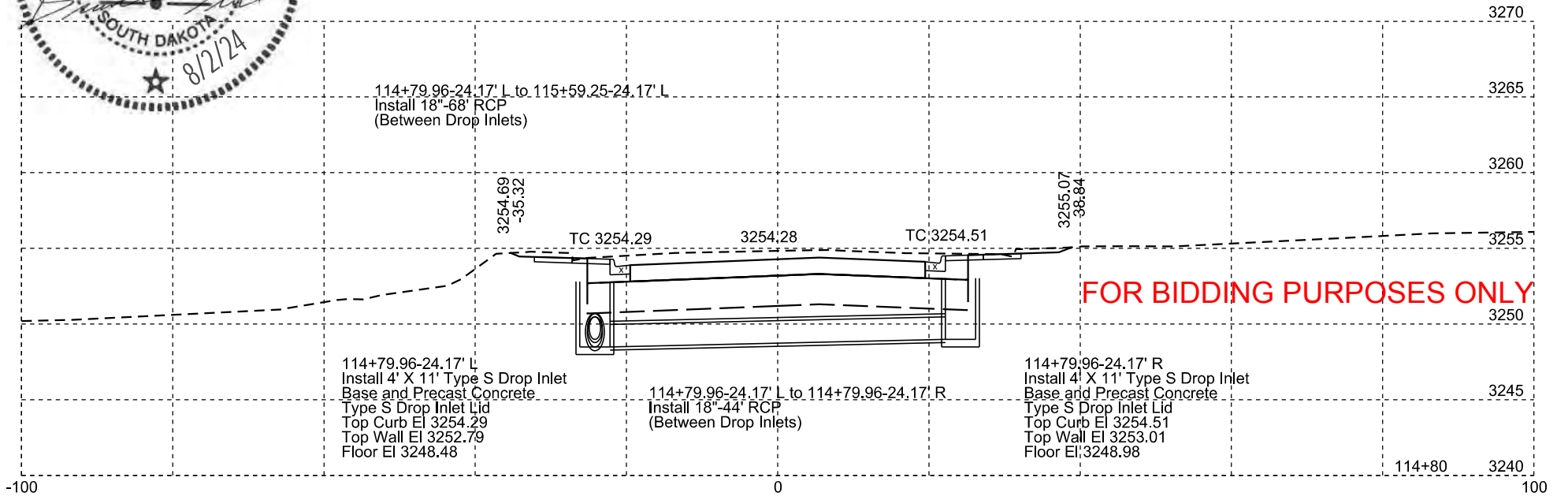
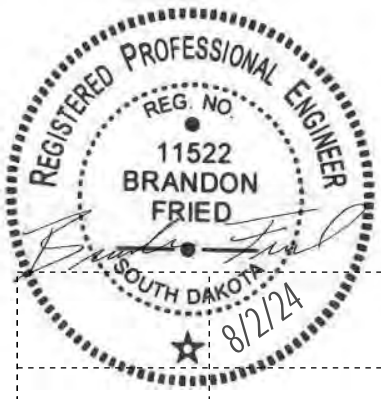


- Unstable
- Muck
- x - Modified Type B69 Curb & Gutter/P6 Gutter



Rev. 8/2/2024 BAF
Plotting Date: 7/31/2024

STATE OF SOUTH DAKOTA	PROJECT	SHEET NO.	TOTAL SHEETS
	NH-CR-EM 0018(195)103 P 0407(05)01	X15	X56



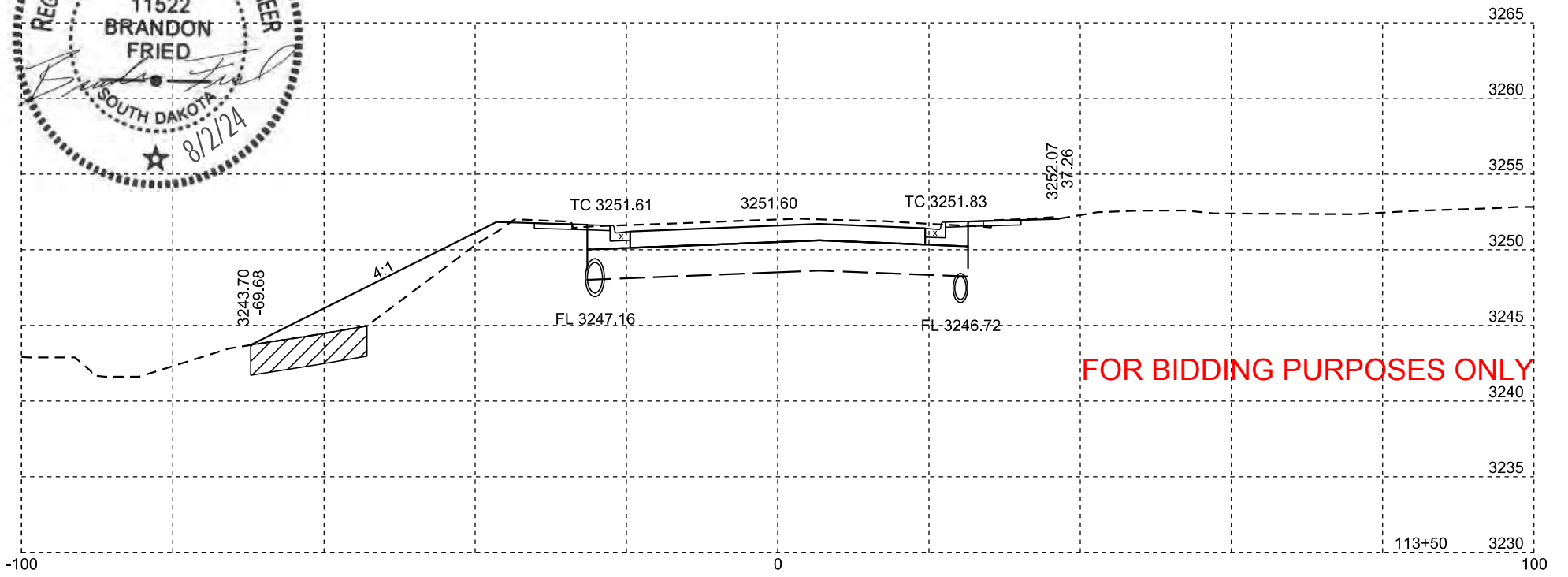
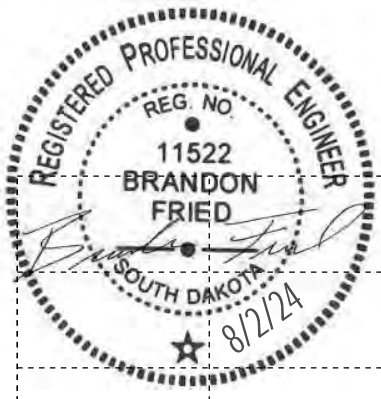
Unstable
 Muck
 x - Modified Type B69 Curb & Gutter/P6 Gutter

FOR BIDDING PURPOSES ONLY

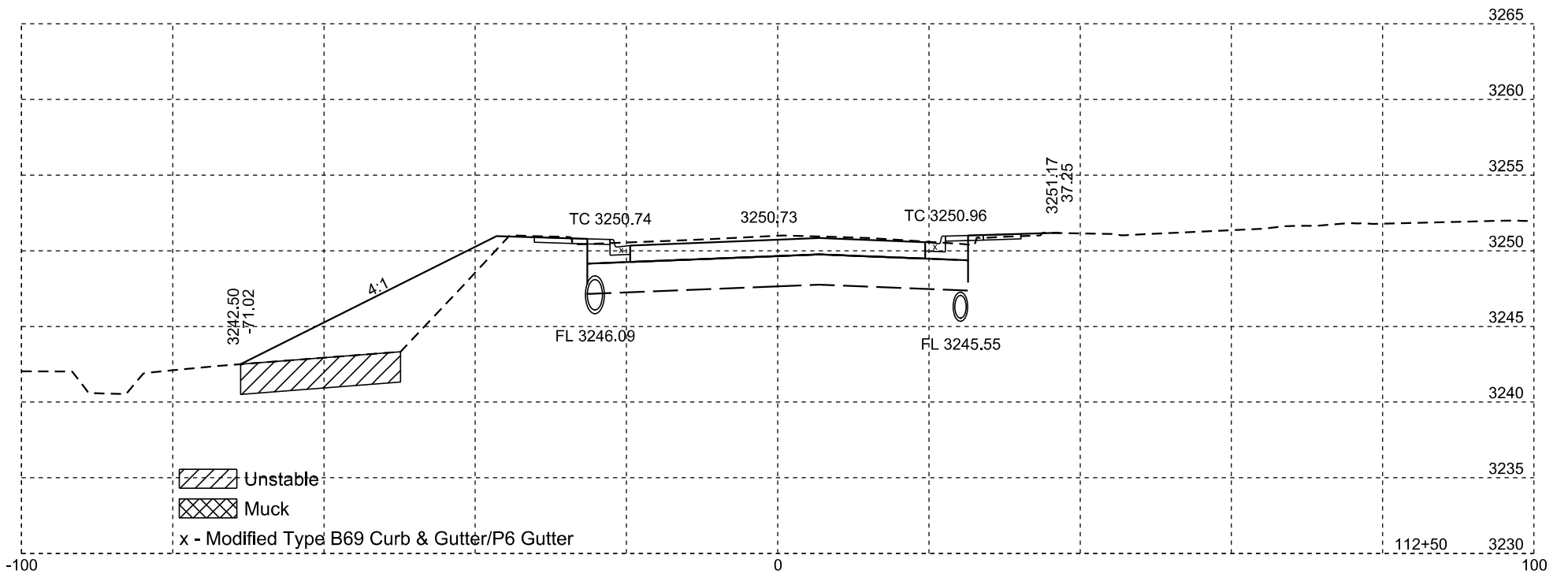
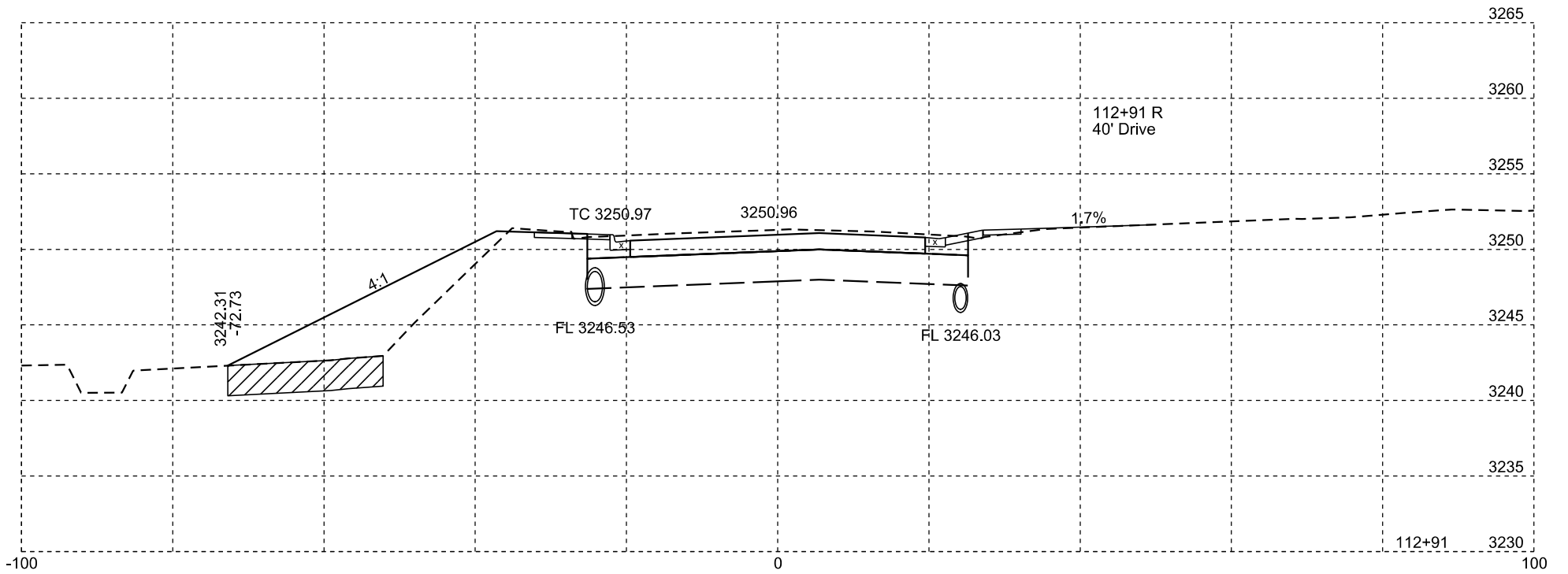
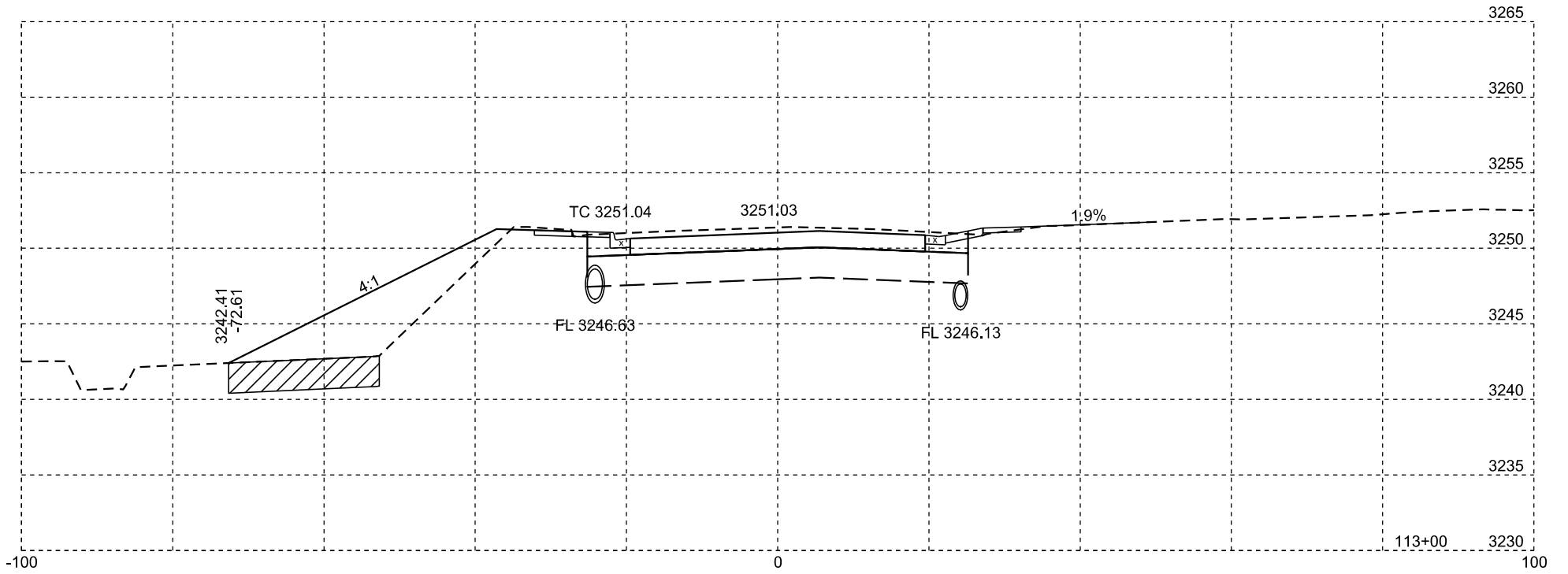


Rev. 8/2/2024 BAF
Plotting Date: 7/31/2024

STATE OF SOUTH DAKOTA	PROJECT	SHEET NO.	TOTAL SHEETS
	NH-CR-EM 0018(195)103 P 0407(05)01	X16	X56



FOR BIDDING PURPOSES ONLY

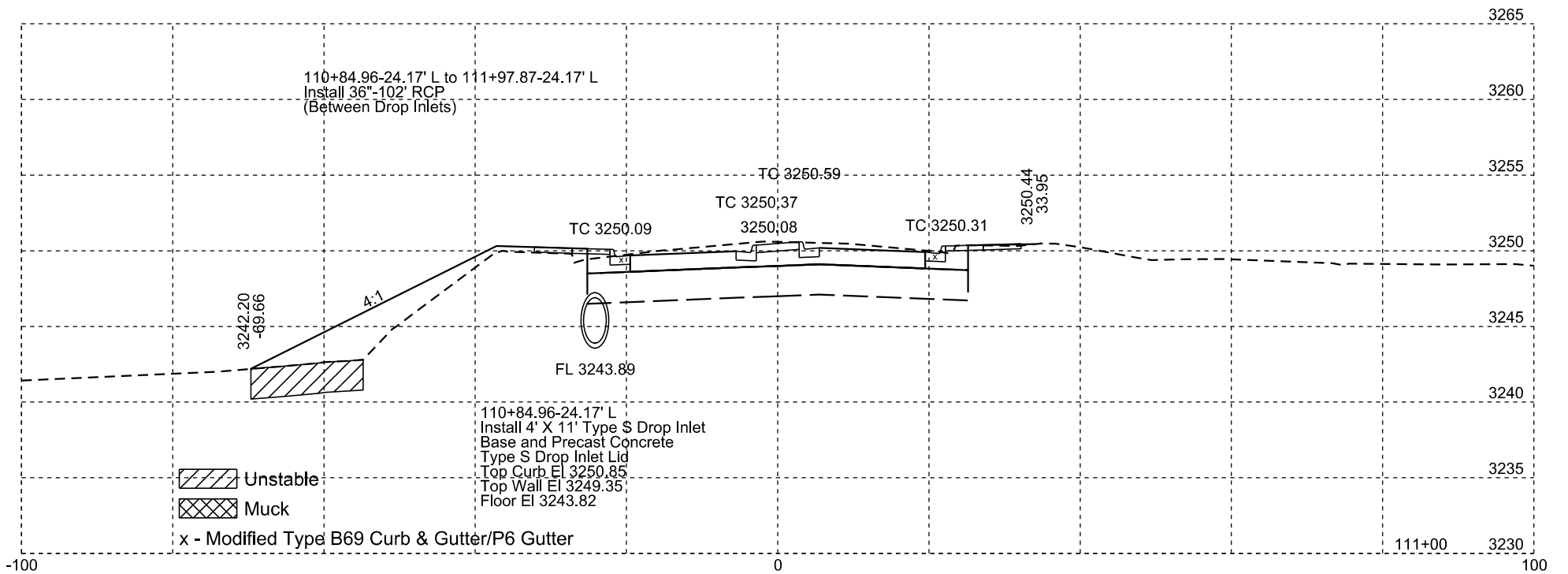
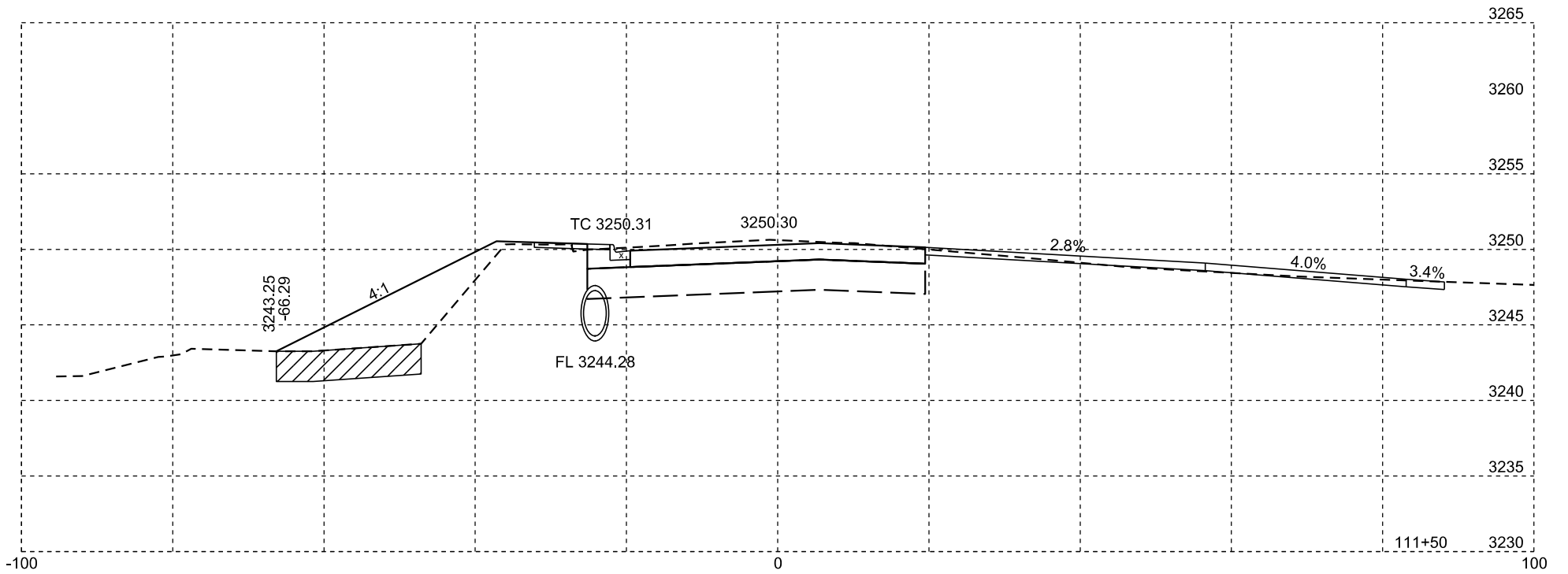
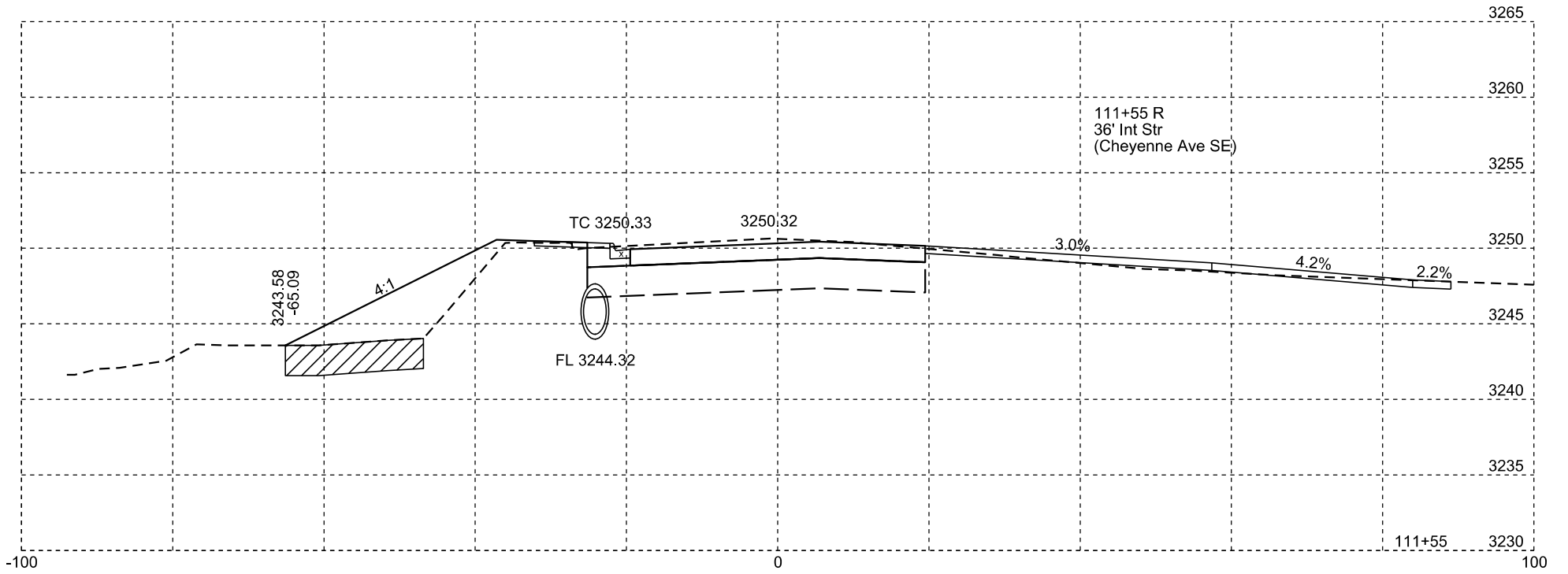
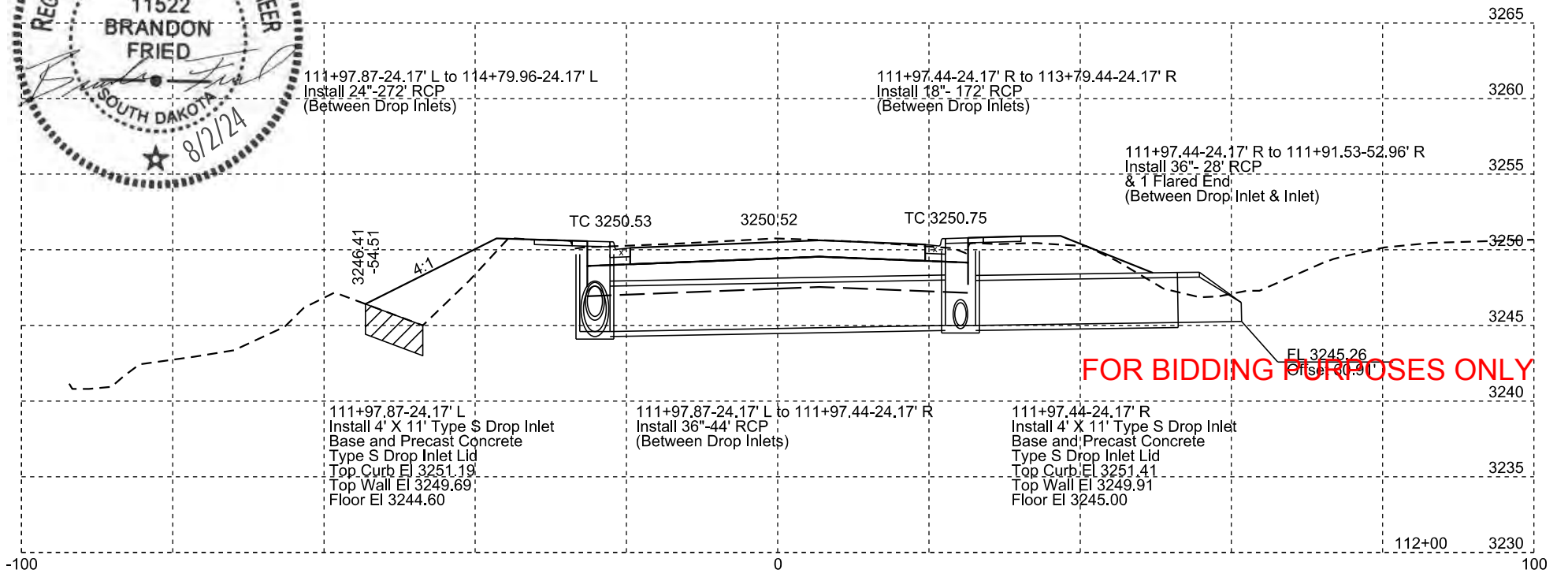
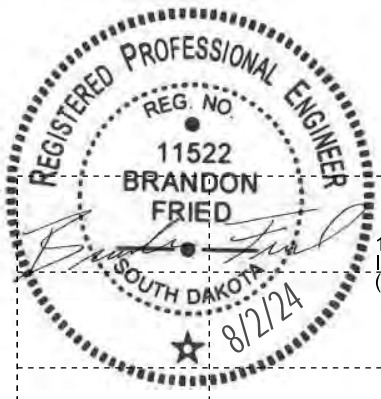


Unstable
 Muck
 x - Modified Type B69 Curb & Gutter/P6 Gutter



Rev. 8/2/2024 BAF
Plotting Date: 7/31/2024

STATE OF SOUTH DAKOTA	PROJECT	SHEET NO.	TOTAL SHEETS
	NH-CR-EM 0018(195)103 P 0407(05)01		



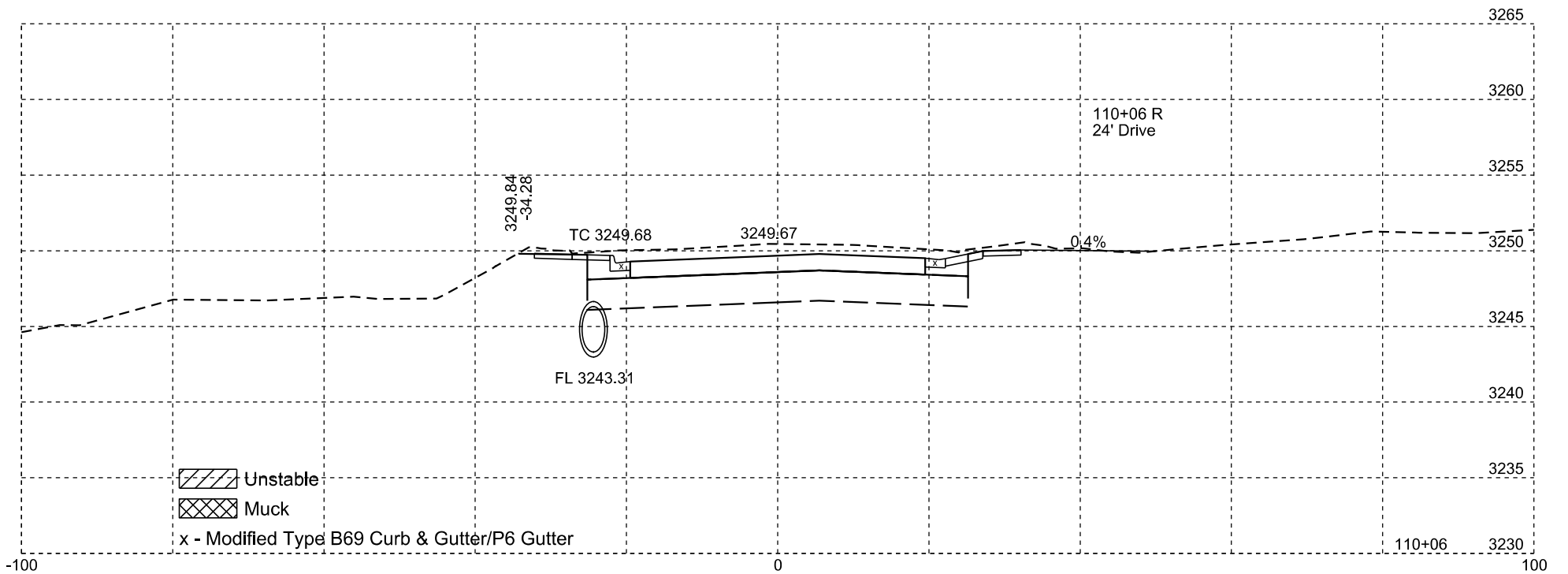
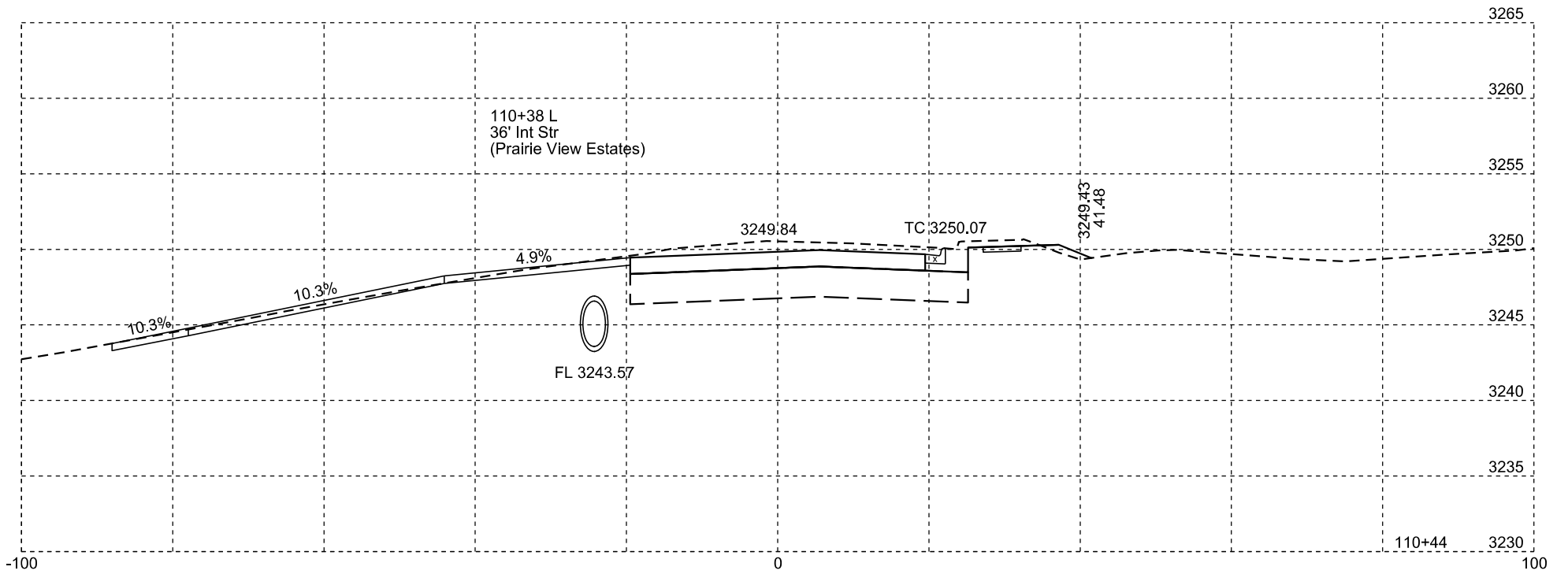
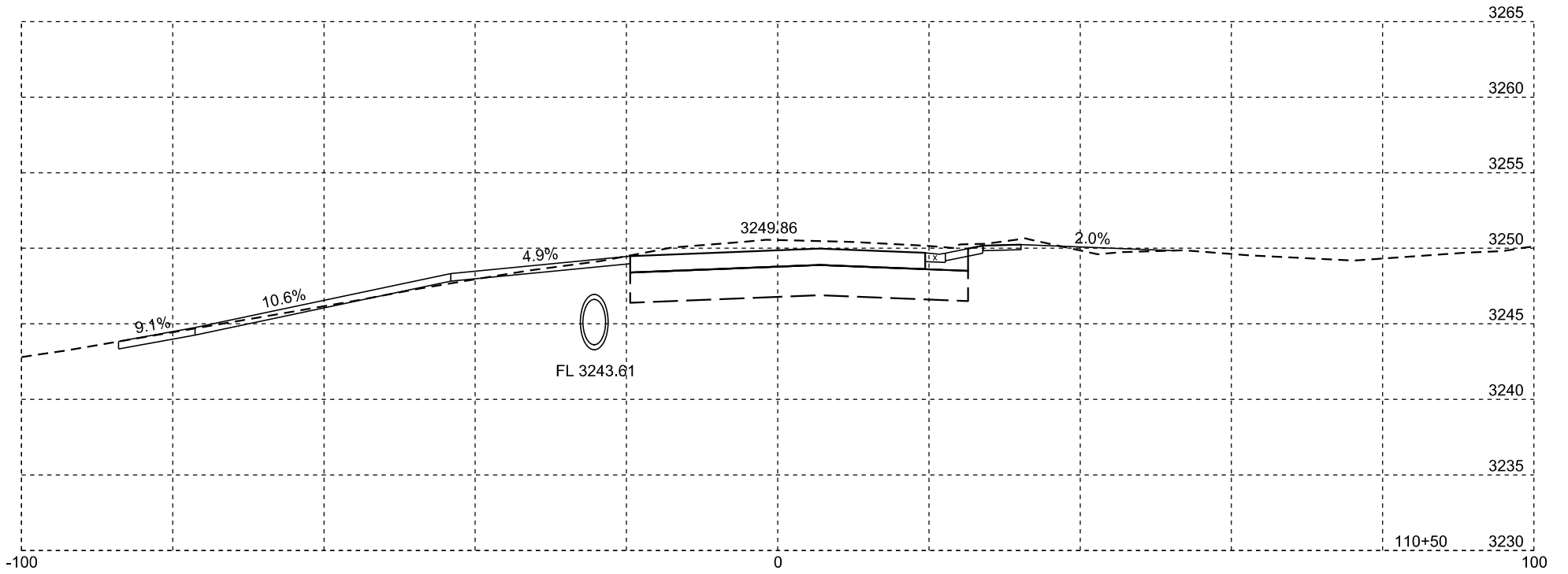
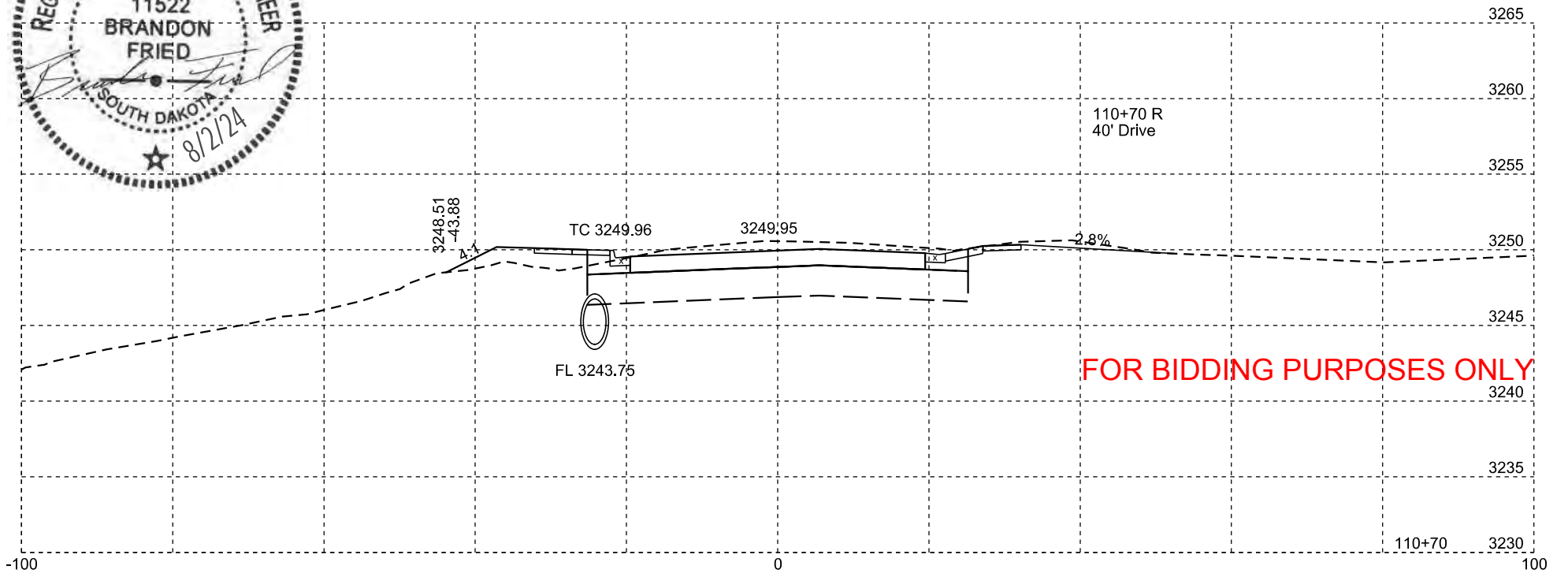
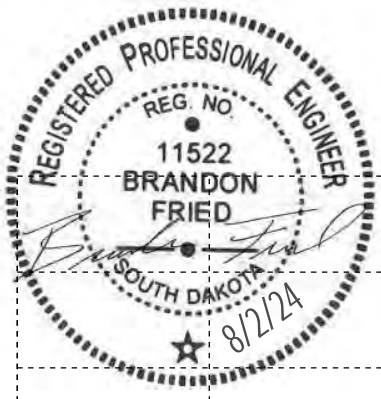
Unstable
Muck

x - Modified Type B69 Curb & Gutter/P6 Gutter



Rev. 8/2/2024 BAF
Plotting Date: 7/31/2024

STATE OF SOUTH DAKOTA	PROJECT	SHEET NO.	TOTAL SHEETS
	NH-CR-EM 0018(195)103 P 0407(05)01		
	X18		X56

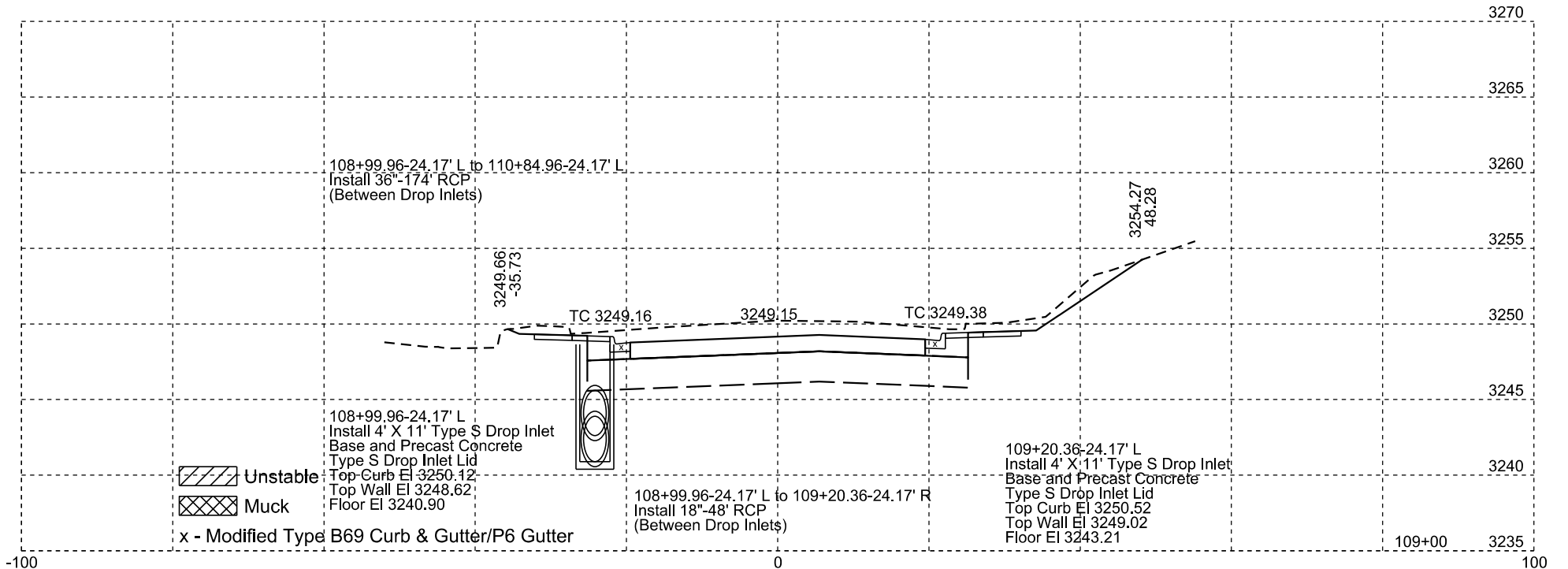
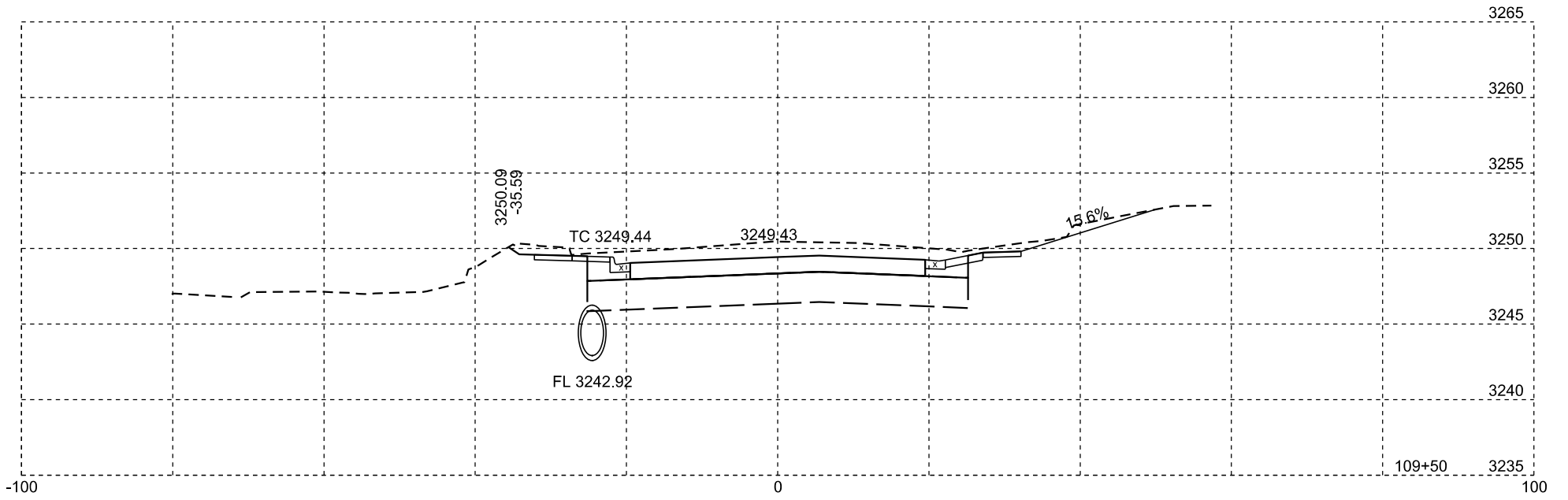
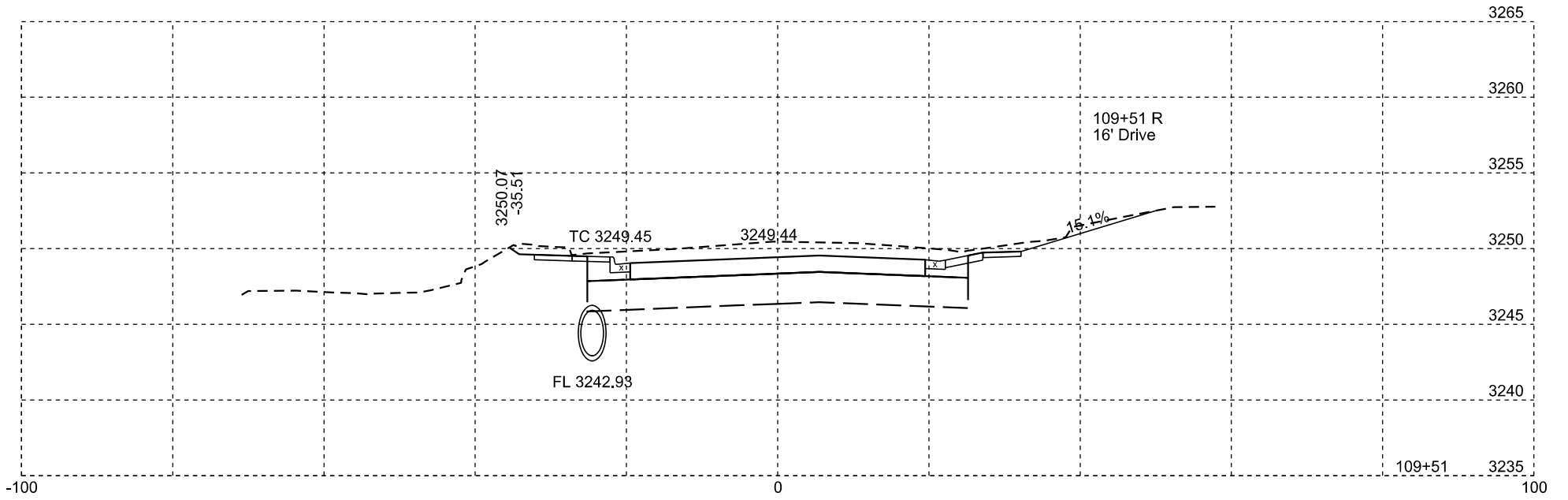
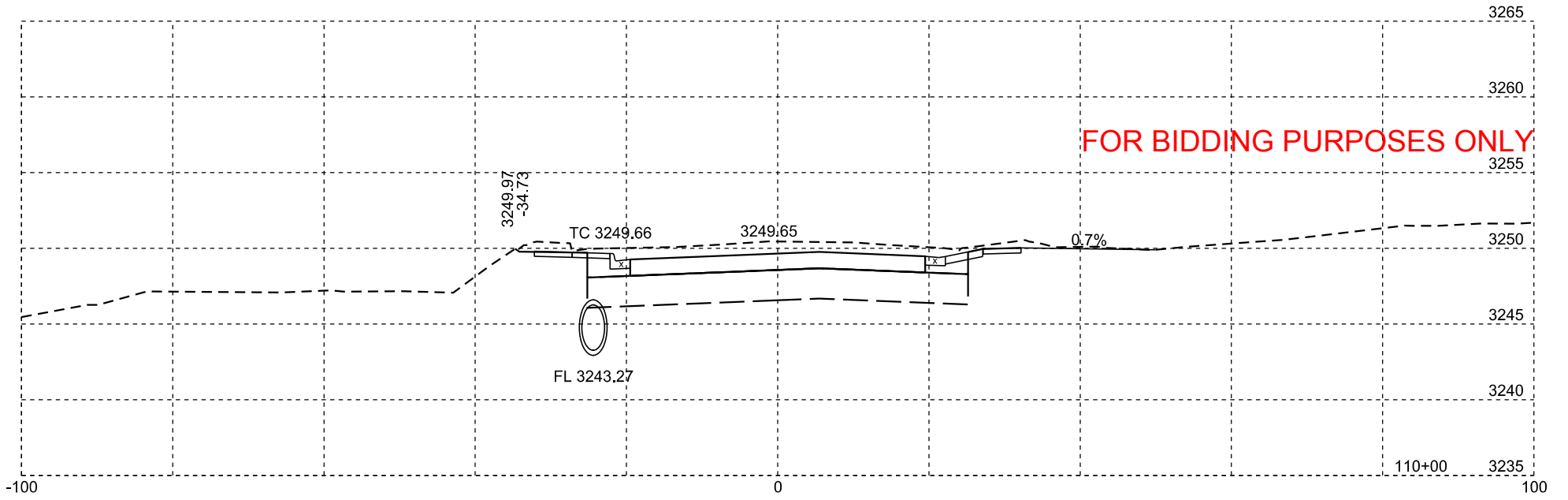


- Unstable
- Muck
- x - Modified Type B69 Curb & Gutter/P6 Gutter



Rev. 8/2/2024 BAF
Plotting Date: 7/31/2024

STATE OF SOUTH DAKOTA	PROJECT	SHEET NO.	TOTAL SHEETS
	NH-CR-EM 0018(195)103 P 0407(05)01		
	X19		X56

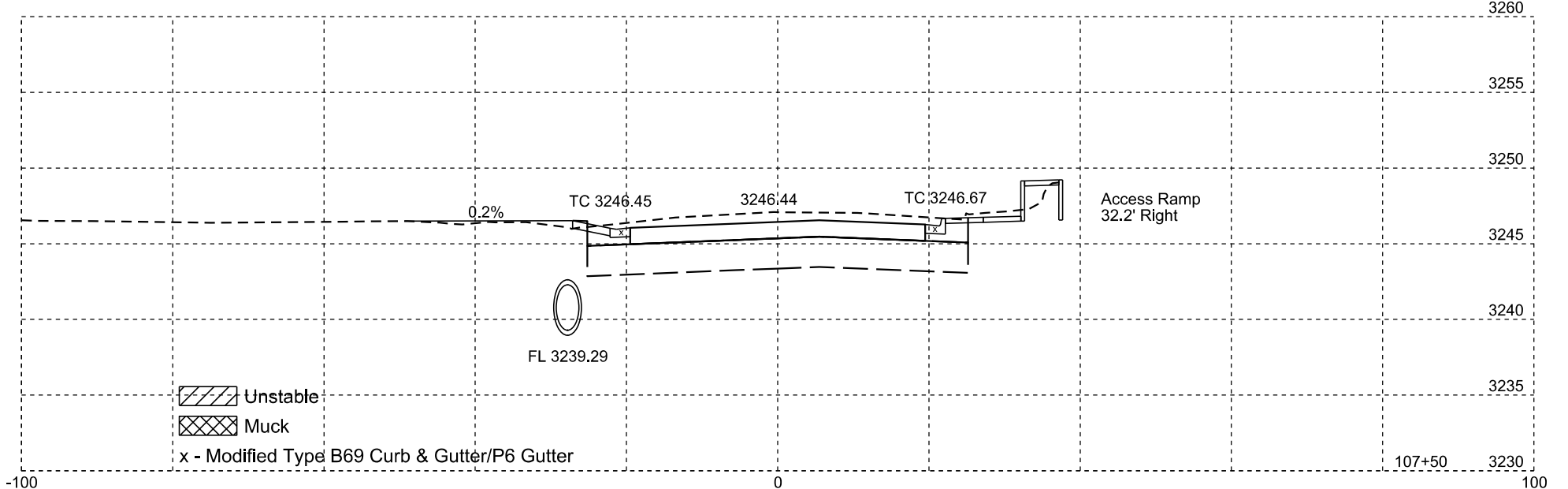
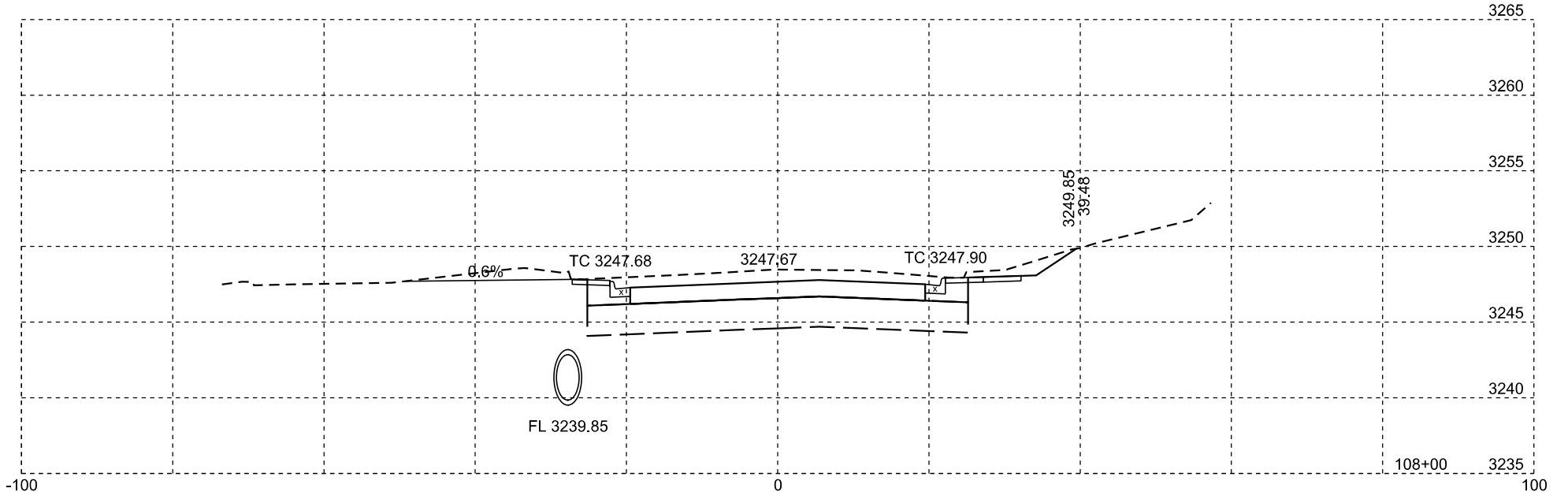
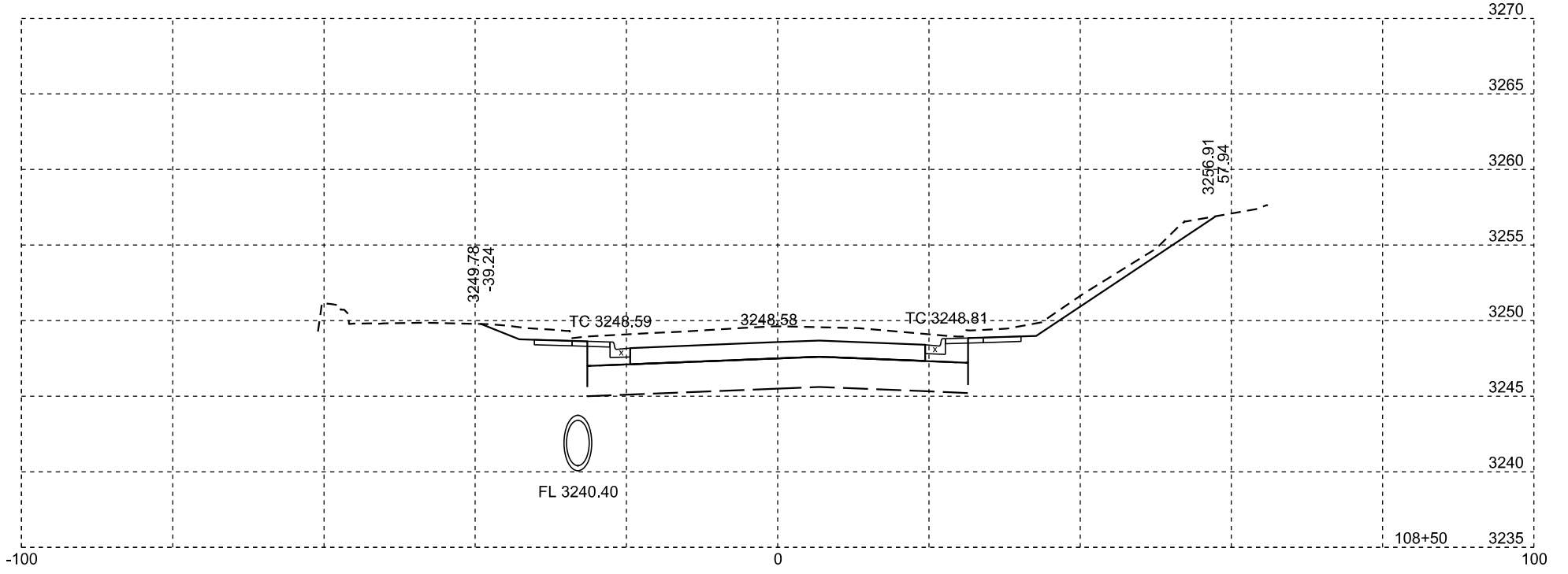
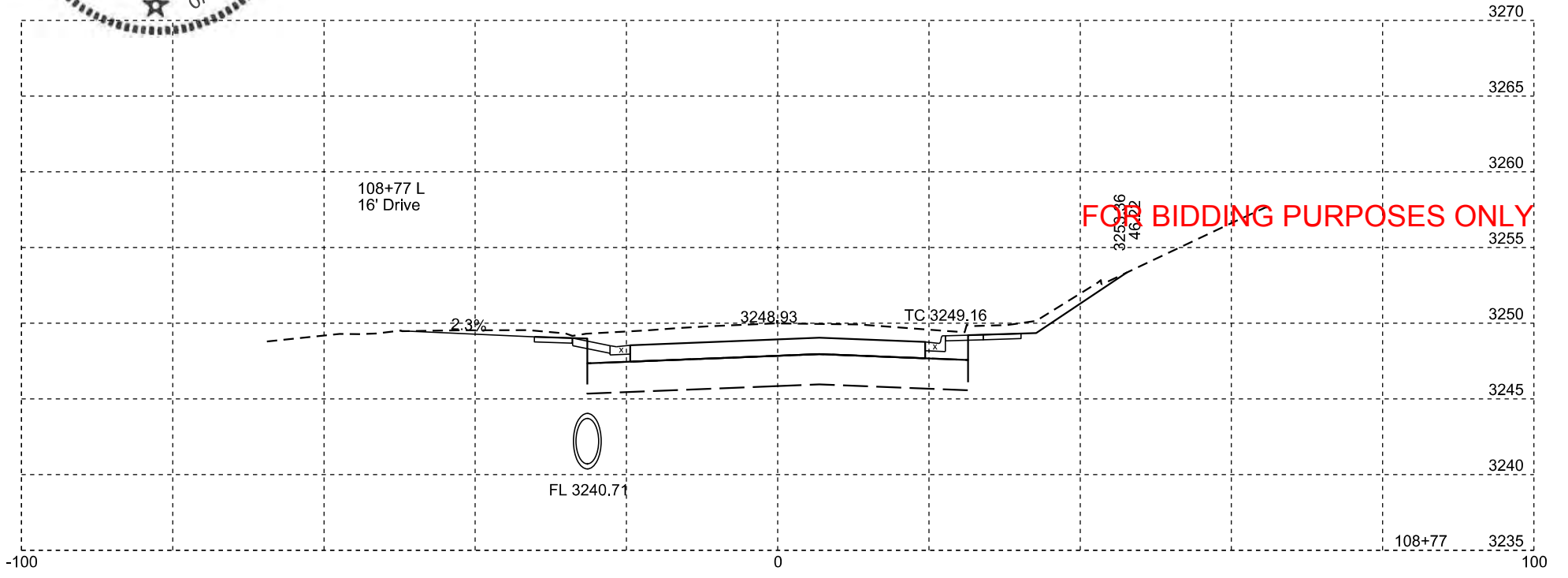
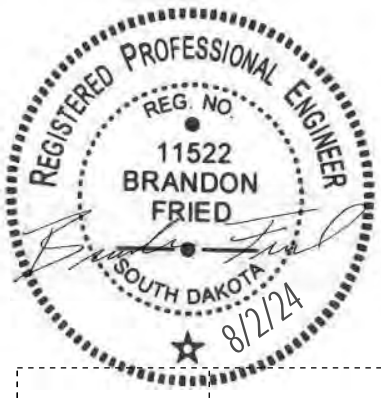


Unstable
 Muck
 x - Modified Type B69 Curb & Gutter/P6 Gutter



Rev. 8/2/2024 BAF
Plotting Date: 7/31/2024

STATE OF SOUTH DAKOTA	PROJECT	SHEET NO.	TOTAL SHEETS
	NH-CR-EM 0018(195)103 P 0407(05)01		

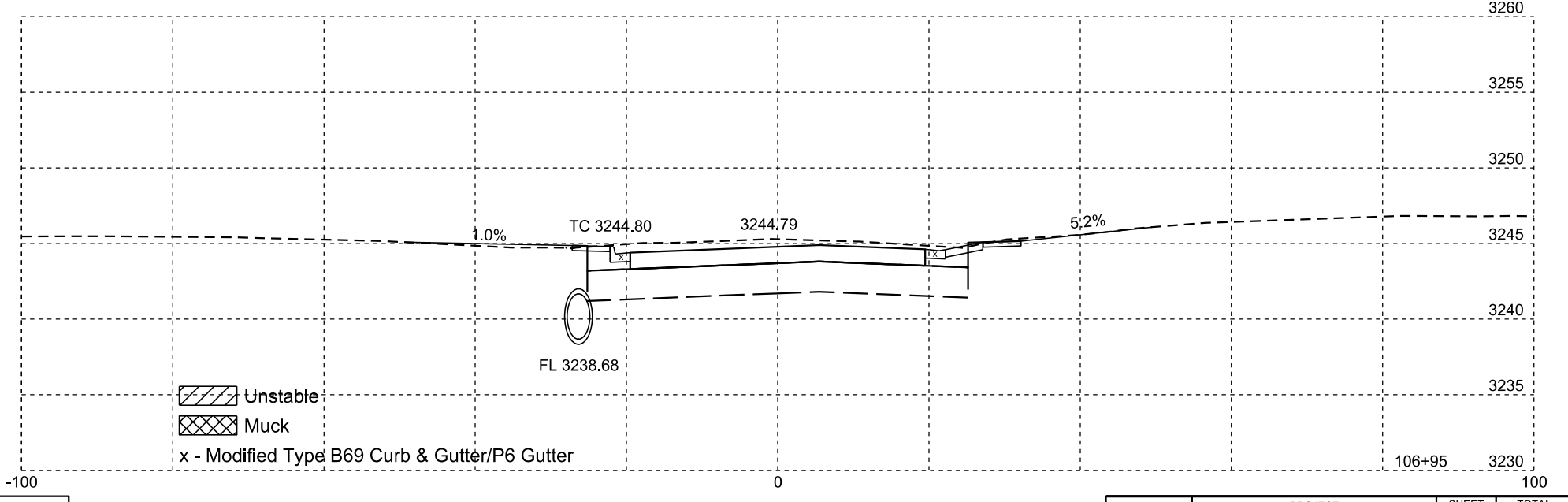
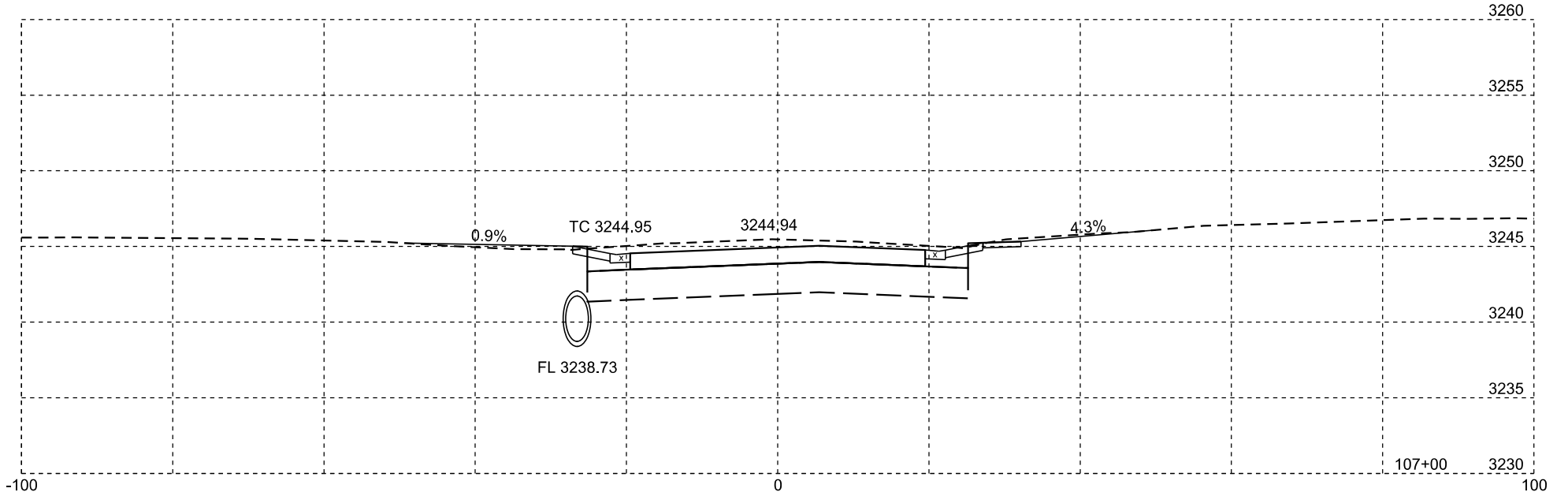
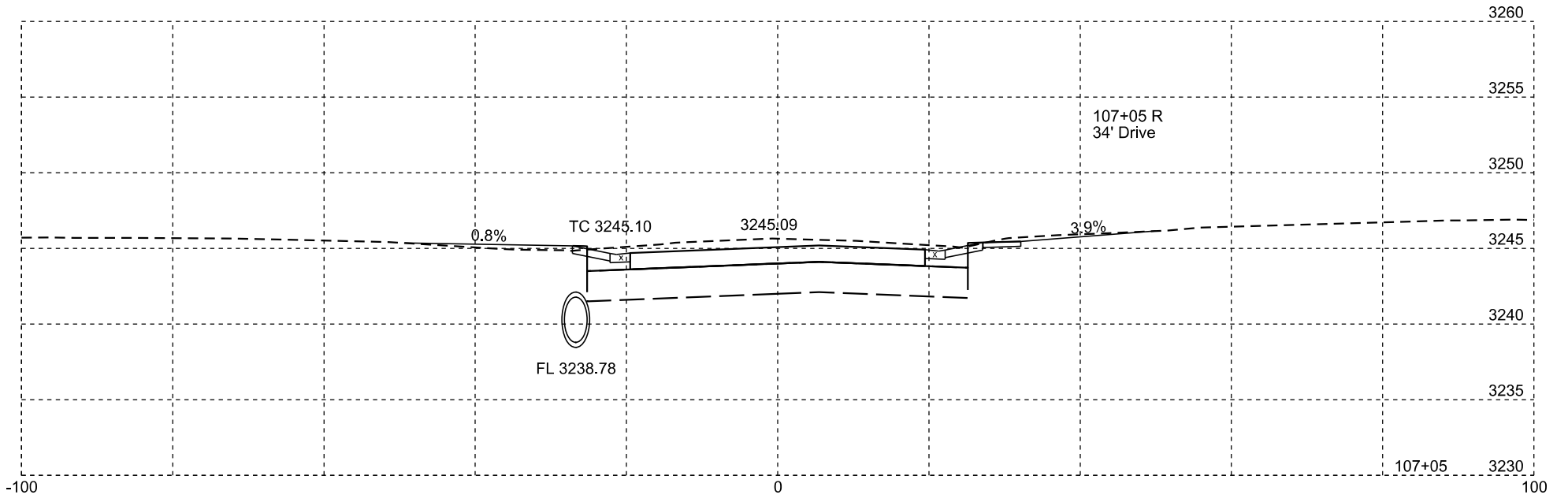
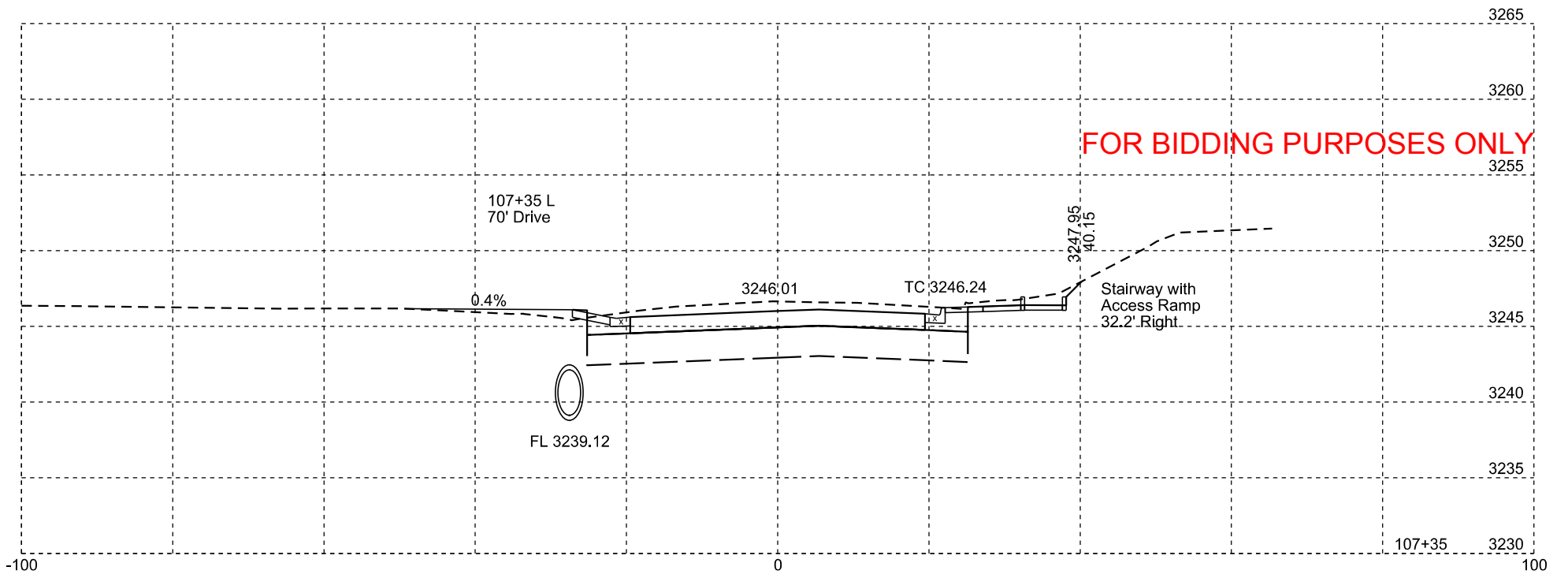


- Unstable
- Muck
- x - Modified Type B69 Curb & Gutter/P6 Gutter



Rev. 8/2/2024 BAF
Plotting Date: 7/31/2024

STATE OF SOUTH DAKOTA	PROJECT	SHEET NO.	TOTAL SHEETS
	NH-CR-EM 0018(195)103 P 0407(05)01	X21	X56



Unstable
 Muck
 x - Modified Type B69 Curb & Gutter/P6 Gutter



Rev. 8/2/2024 BAF
Plotting Date: 7/31/2024

STATE OF SOUTH DAKOTA	PROJECT	SHEET NO.	TOTAL SHEETS
	NH-CR-EM 0018(195)103 P 0407(05)01		



106+79.96-25.67' L to 108+99.96-24.17' L
Install 36"-206" RCP
(Between Drop Inlets)

3255

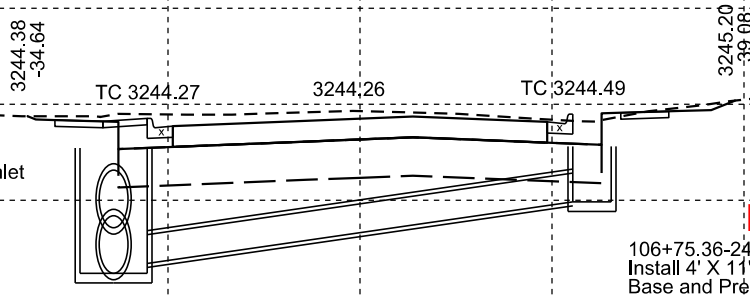
3250

3245

3240

3235

3230



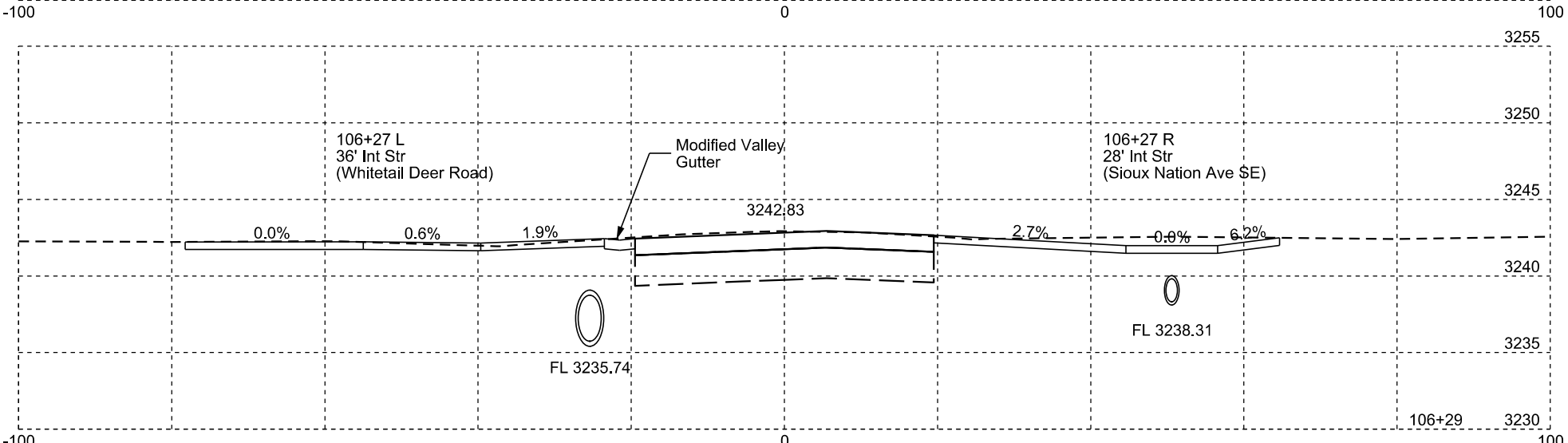
106+79.96-25.67' L
Install 7' X 11' Type S Drop Inlet
Base and Precast Concrete
Type S Drop Inlet Lid
Top Curb El 3244.23
Top Wall El 3242.73
Floor El 3236.20

106+75.36-24.17' R
Install 4' X 11' Type S Drop Inlet
Base and Precast Concrete
Type S Drop Inlet Lid
Top Curb El 3244.31
Top Wall El 3242.81
Floor El 3239.92

106+75.36-24.17' R
Install 4' X 11' Type S Drop Inlet
Base and Precast Concrete
Type S Drop Inlet Lid
Top Curb El 3243.08
Top Wall El 3241.58
Floor El 3238.42

106+75.36-25.67' R to 106+79.96-25.67' L
Install 18"-46' RCP
(Between Drop Inlets)

FOR BIDDING PURPOSES ONLY



106+27 L
36' Int Str
(Whitetail Deer Road)

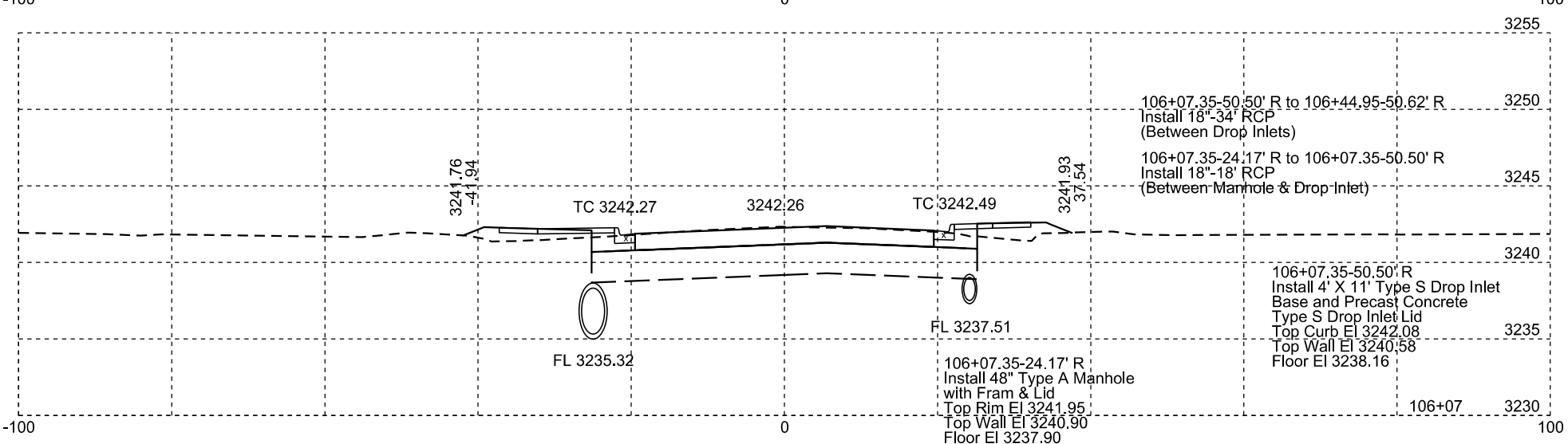
Modified Valley
Gutter

106+27 R
28' Int Str
(Sioux Nation Ave SE)

0.0% 0.6% 1.9% 2.7% -0.6% -6.2%

FL 3235.74

FL 3238.31

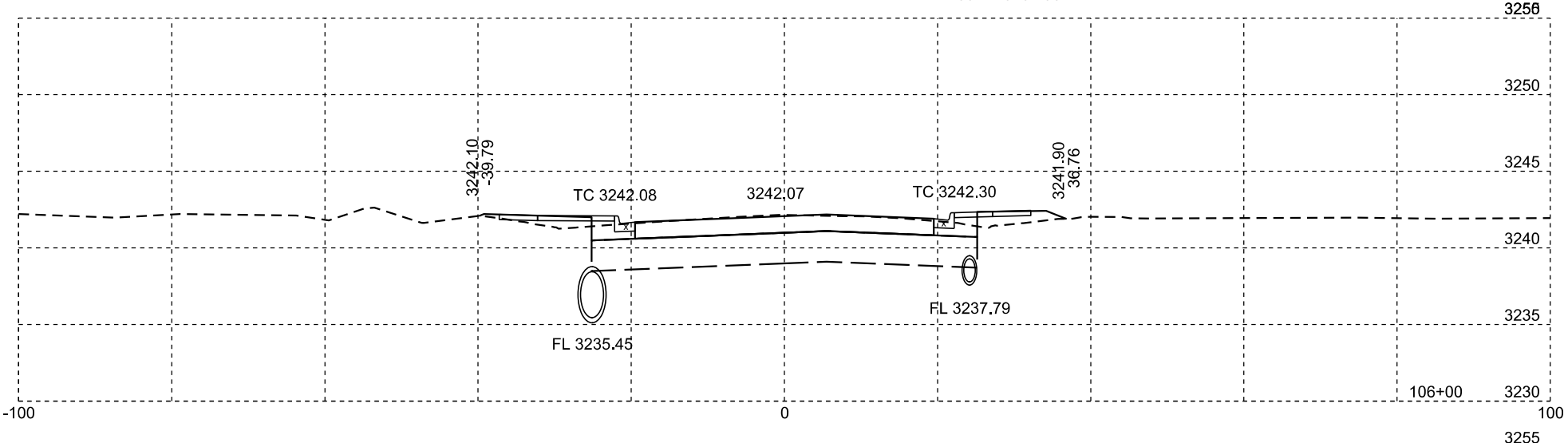


106+07.35-50.50' R to 106+44.95-50.62' R
Install 18"-34' RCP
(Between Drop Inlets)

106+07.35-24.17' R to 106+07.35-50.50' R
Install 18"-18' RCP
(Between Manhole & Drop Inlet)

106+07.35-50.50' R
Install 4' X 11' Type S Drop Inlet
Base and Precast Concrete
Type S Drop Inlet Lid
Top Curb El 3242.08
Top Wall El 3240.58
Floor El 3238.16

106+07.35-24.17' R
Install 48" Type A Manhole
with Fram & Lid
Top Rim El 3241.95
Top Wall El 3240.90
Floor El 3237.90

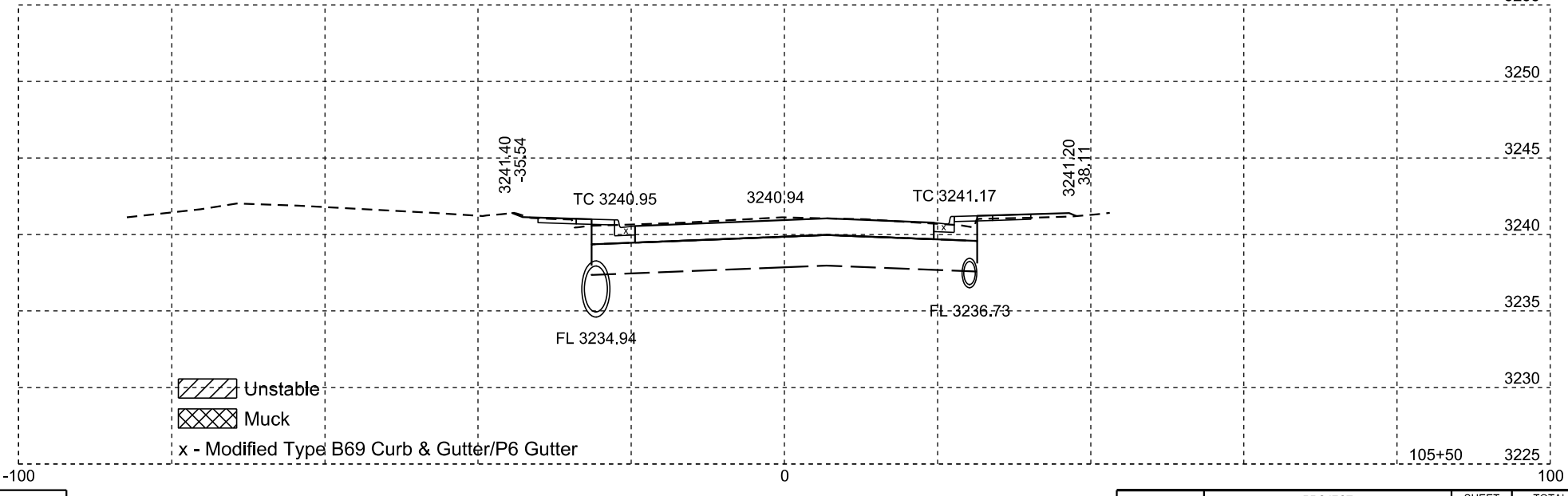


TC 3242.08

TC 3242.30

FL 3235.45

FL 3237.79



TC 3240.95

TC 3241.17

FL 3234.94

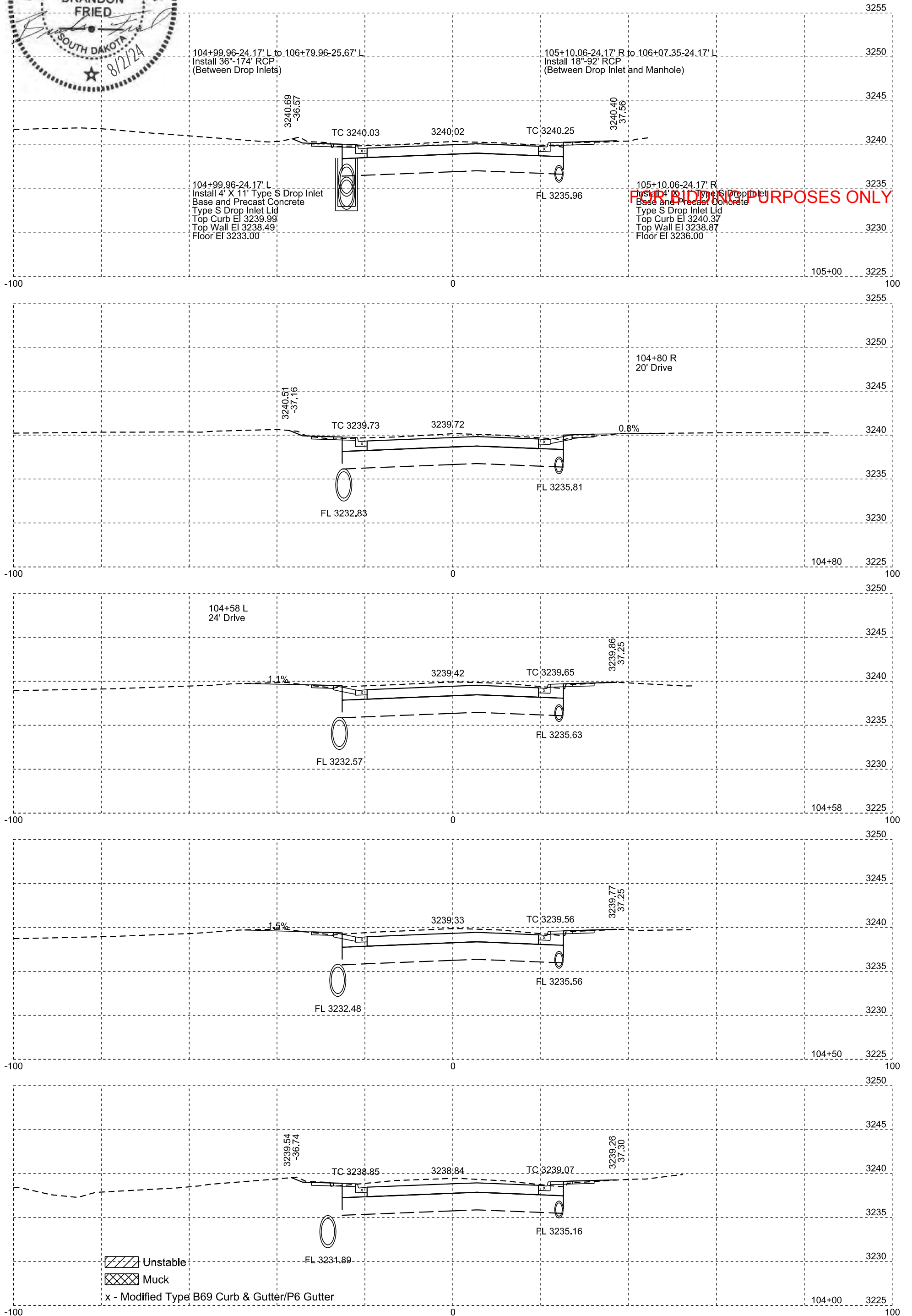
FL 3236.73

Unstable
Muck
x - Modified Type B69 Curb & Gutter/P6 Gutter



Rev. 8/2/2024 BAF
Plotting Date: 7/31/2024

STATE OF SOUTH DAKOTA	PROJECT	SHEET NO.	TOTAL SHEETS
	NH-CR-EM 0018(195)103 P 0407(05)01	X23	X56

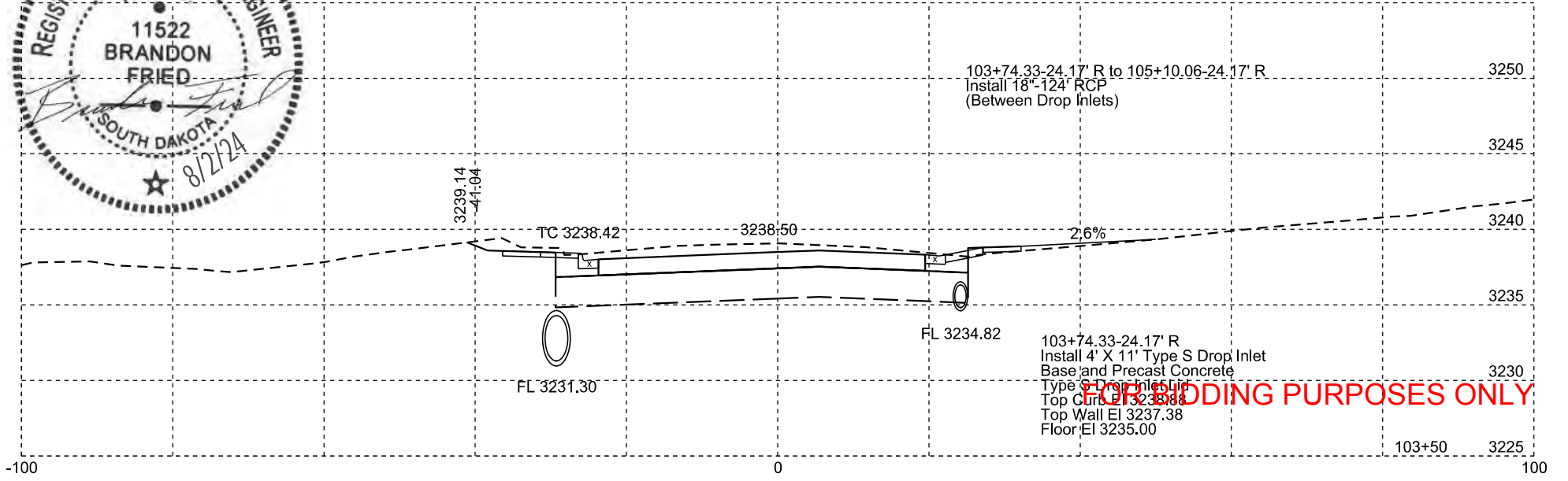


FOR BIDDING PURPOSES ONLY

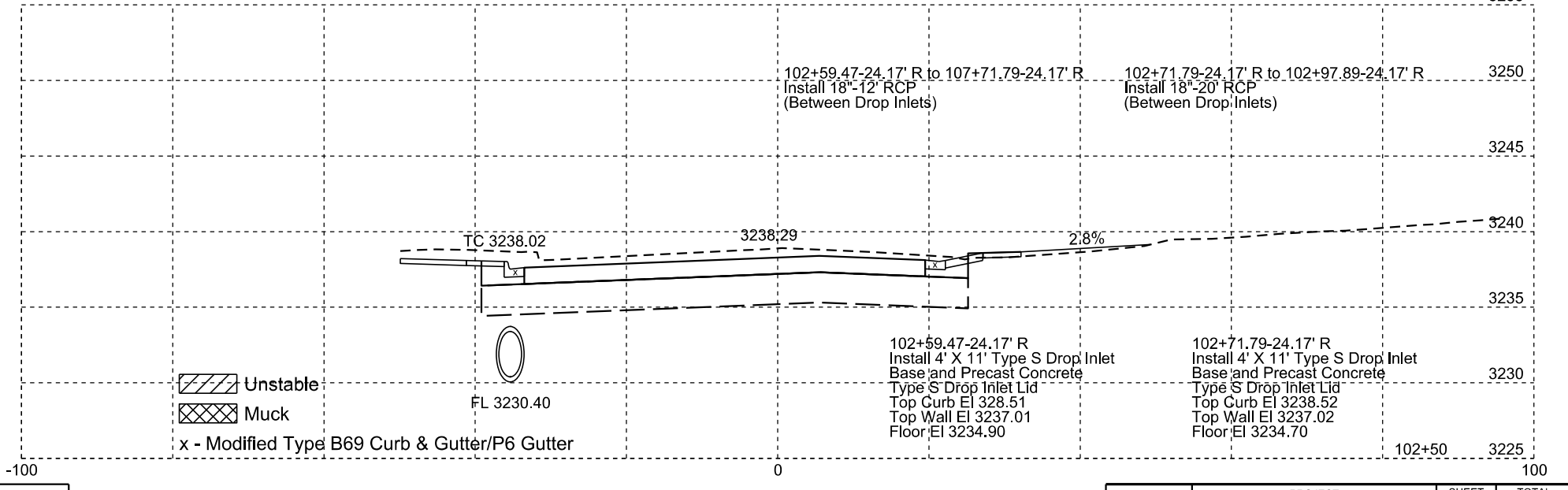
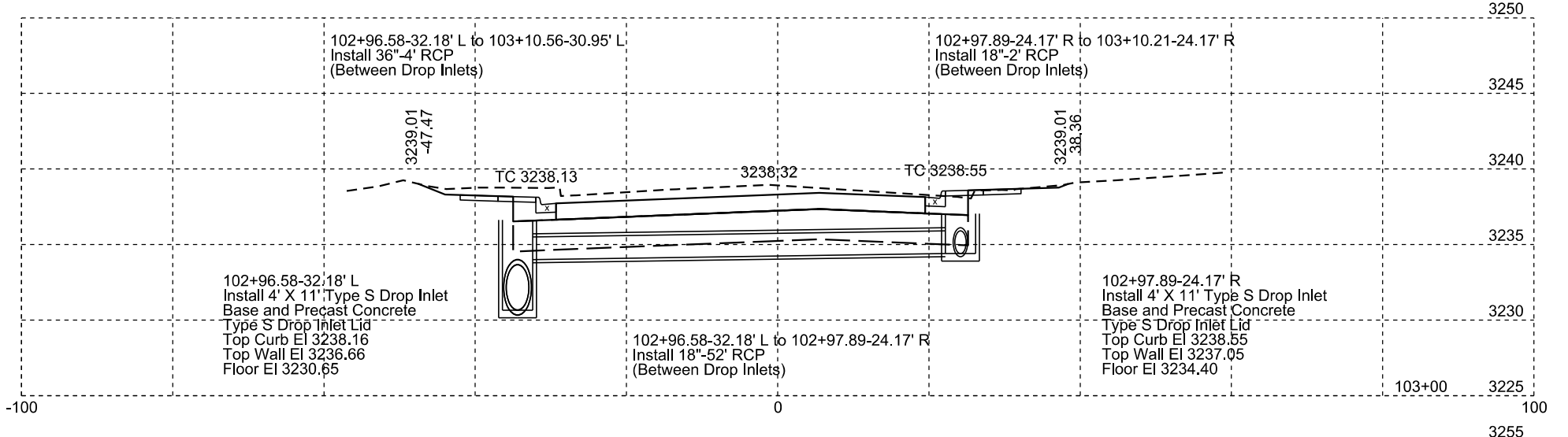
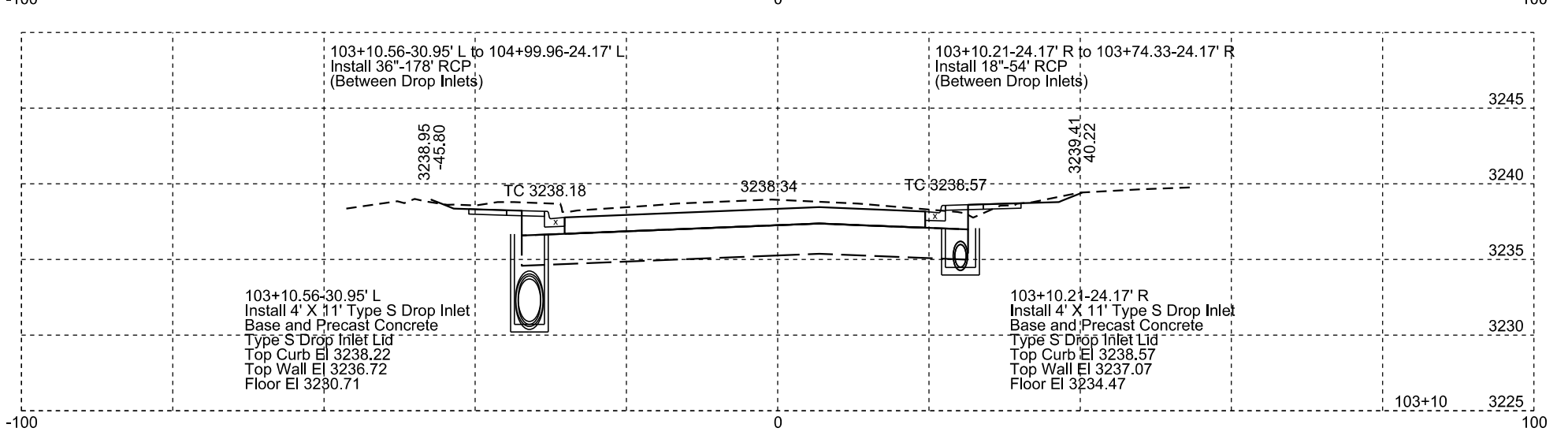
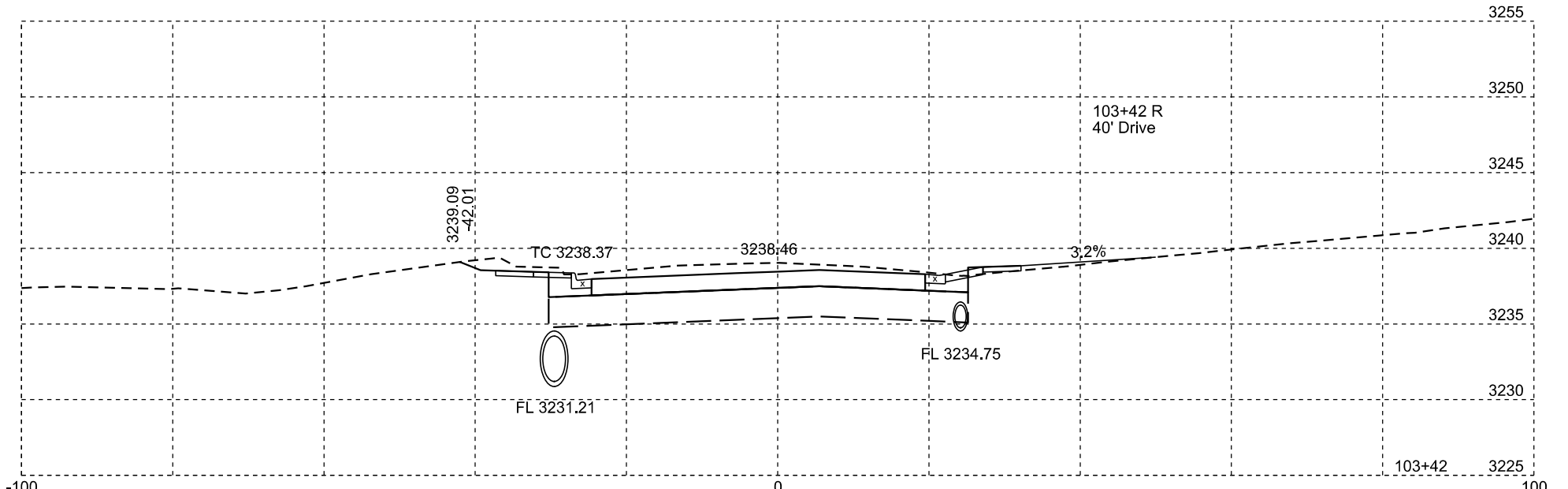


Rev. 8/2/2024 BAF
Plotting Date: 7/31/2024

STATE OF SOUTH DAKOTA	PROJECT	SHEET NO.	TOTAL SHEETS
	NH-CR-EM 0018(195)103 P 0407(05)01	X24	X56



FOR BIDDING PURPOSES ONLY



Unstable
 Muck
 x - Modified Type B69 Curb & Gutter/P6 Gutter

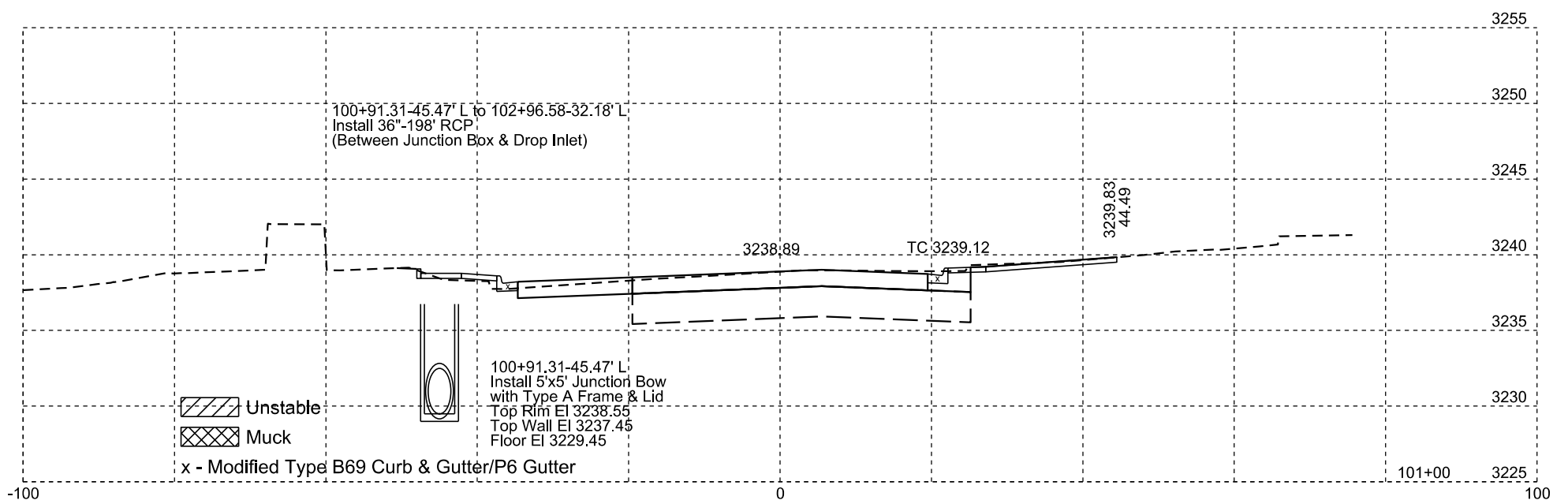
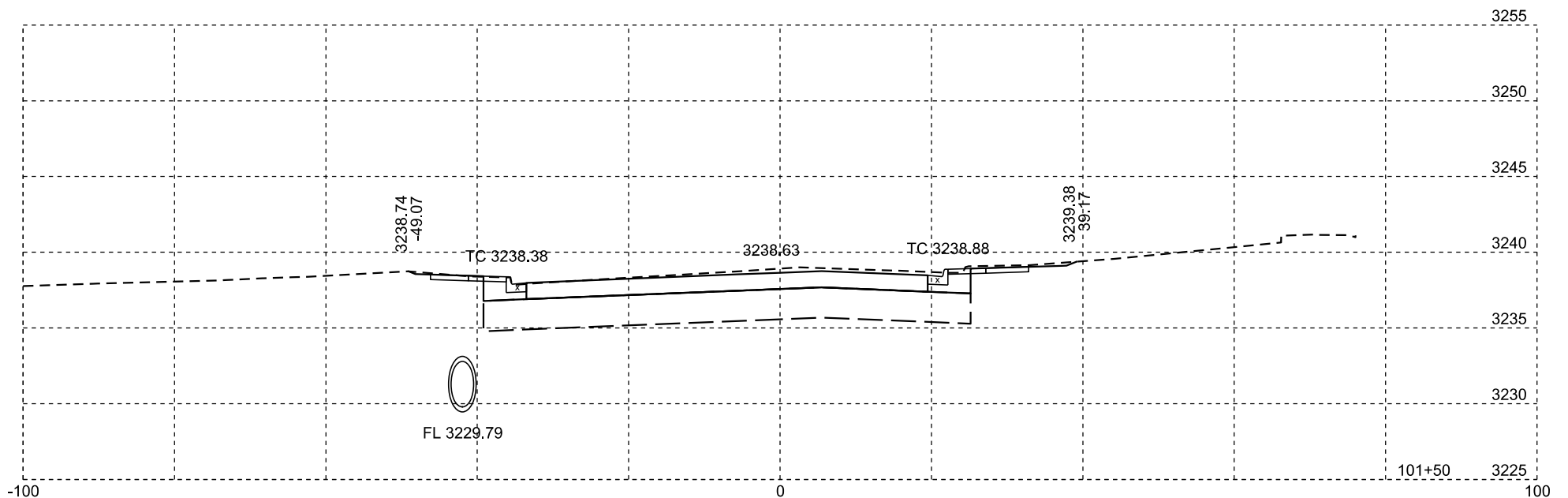
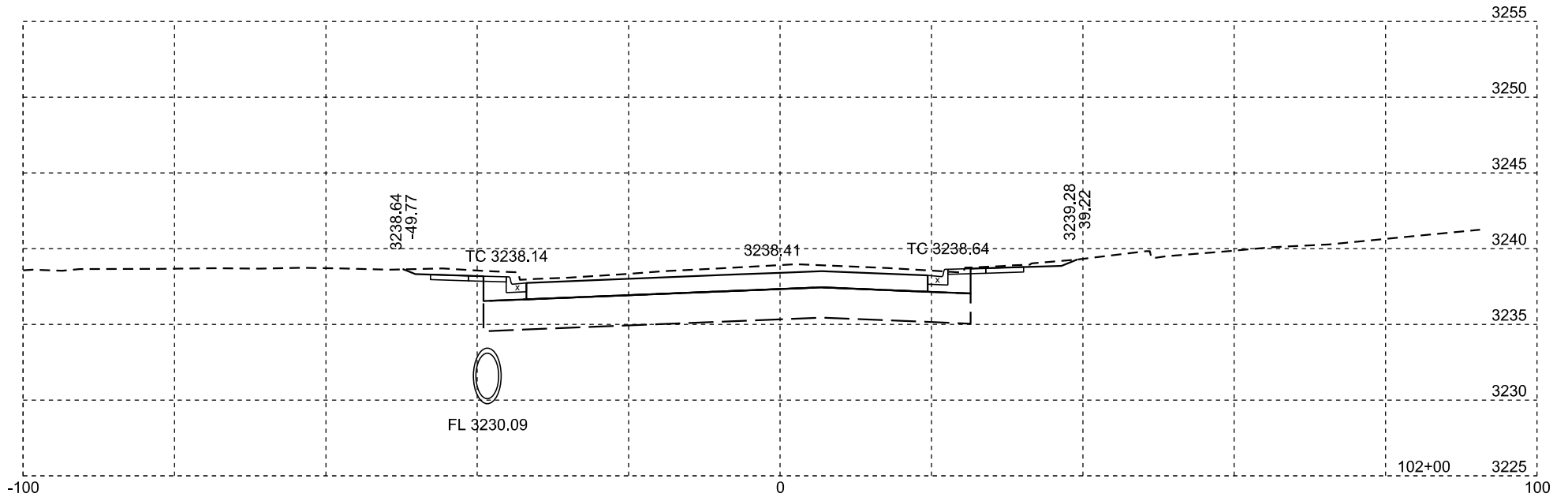
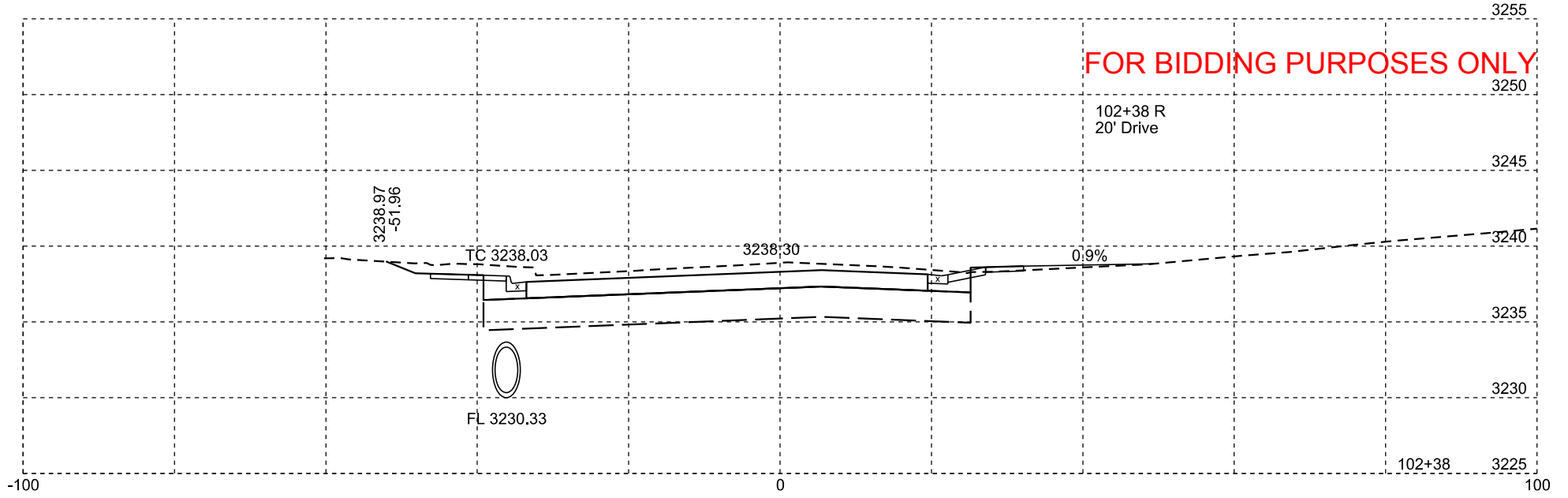


Rev. 8/2/2024 BAF
Plotting Date: 7/31/2024

STATE OF SOUTH DAKOTA	PROJECT	SHEET NO.	TOTAL SHEETS
	NH-CR-EM 0018(195)103 P 0407(05)01		



FOR BIDDING PURPOSES ONLY



- Unstable
- Muck
- x - Modified Type B69 Curb & Gutter/P6 Gutter

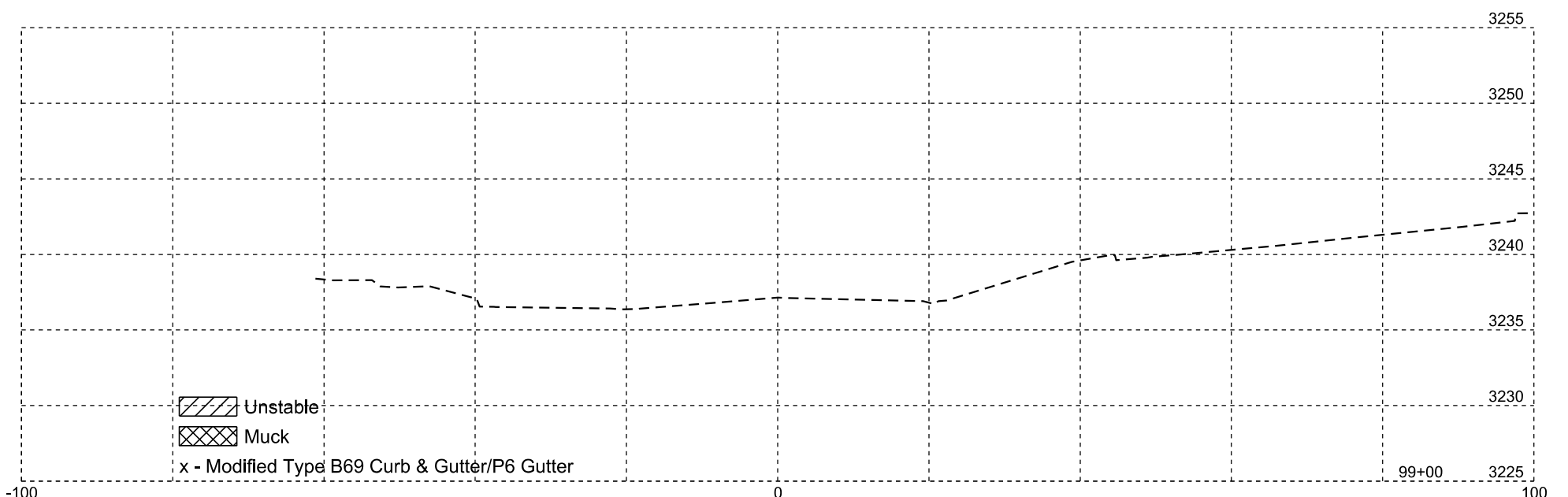
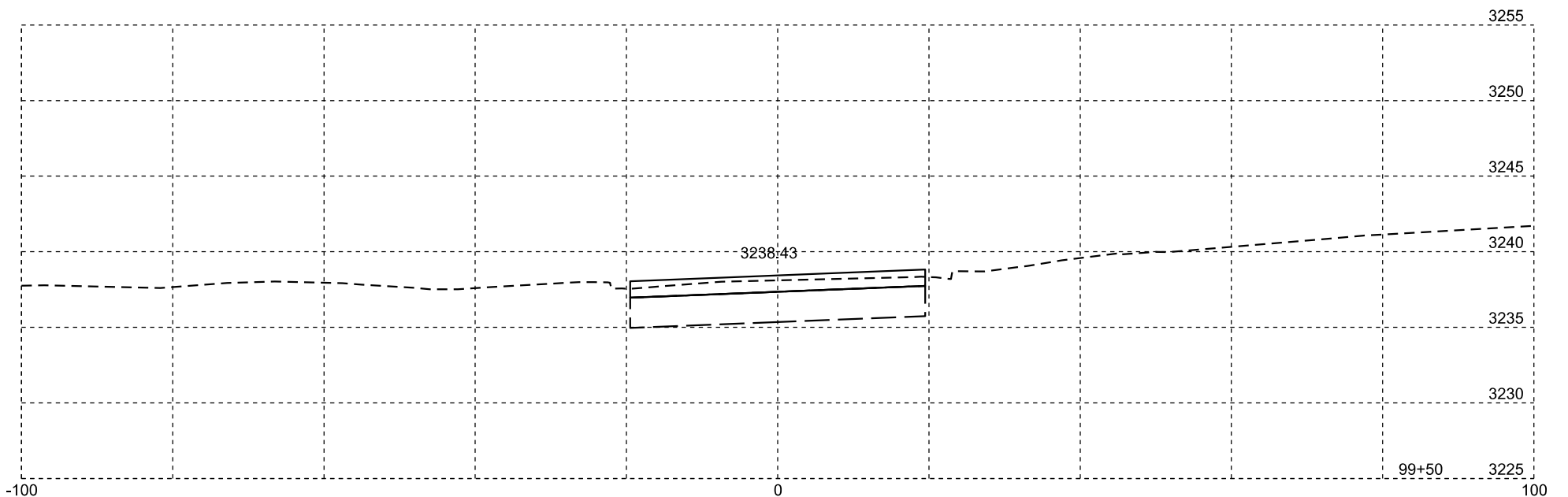
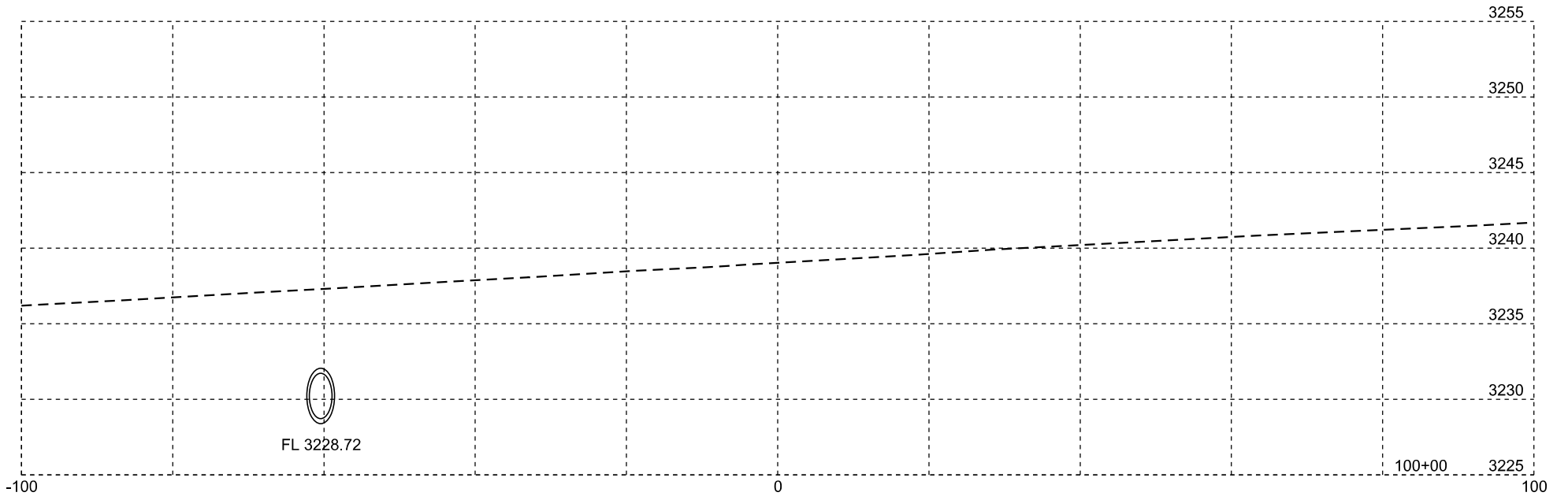
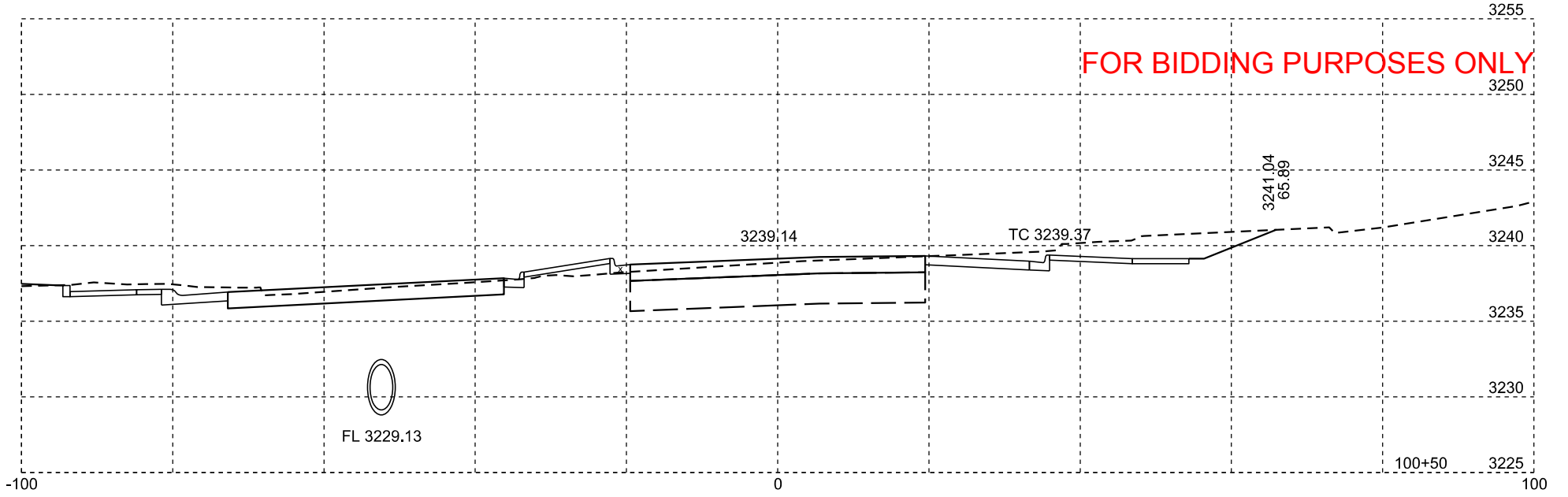


Rev. 8/2/2024 BAF
Plotting Date: 7/31/2024

STATE OF SOUTH DAKOTA	PROJECT	SHEET NO.	TOTAL SHEETS
	NH-CR-EM 0018(195)103 P 0407(05)01	X26	X56



FOR BIDDING PURPOSES ONLY



- Unstable
- Muck
- x - Modified Type B69 Curb & Gutter/P6 Gutter

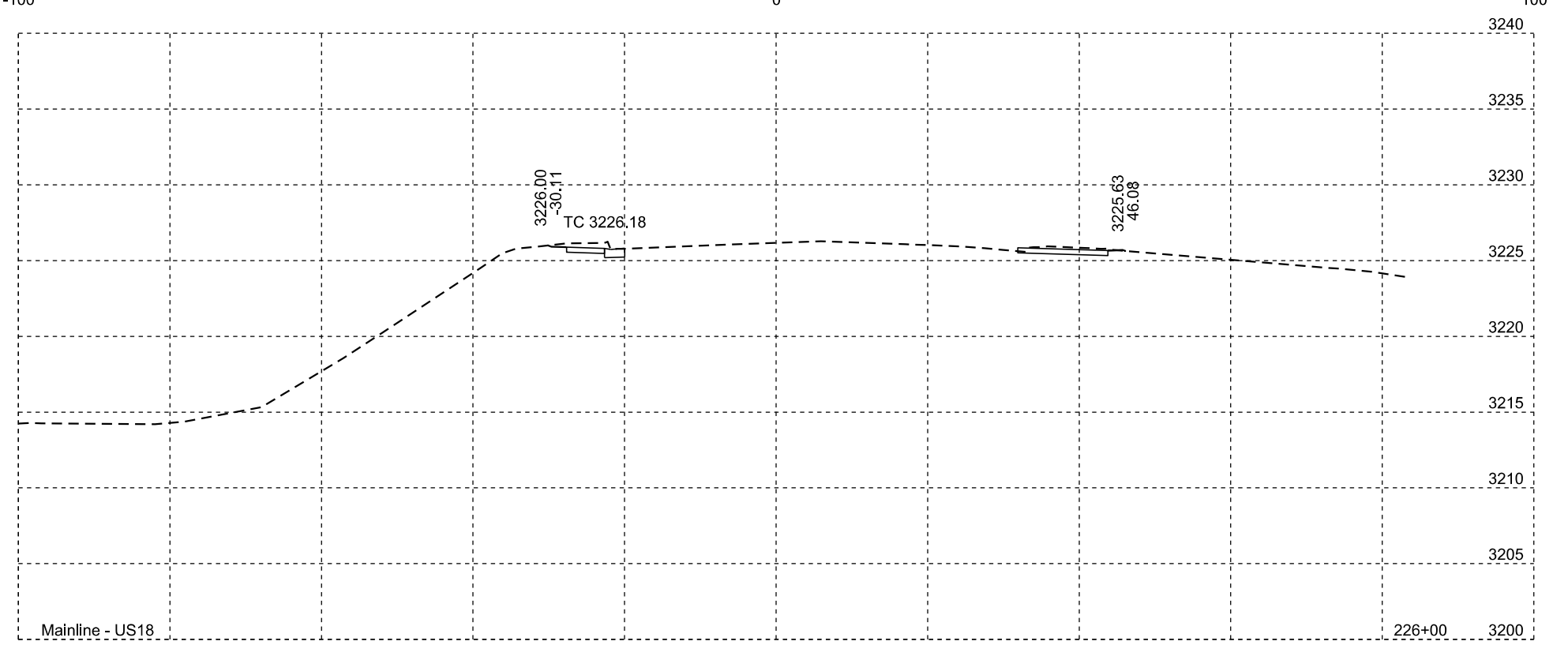
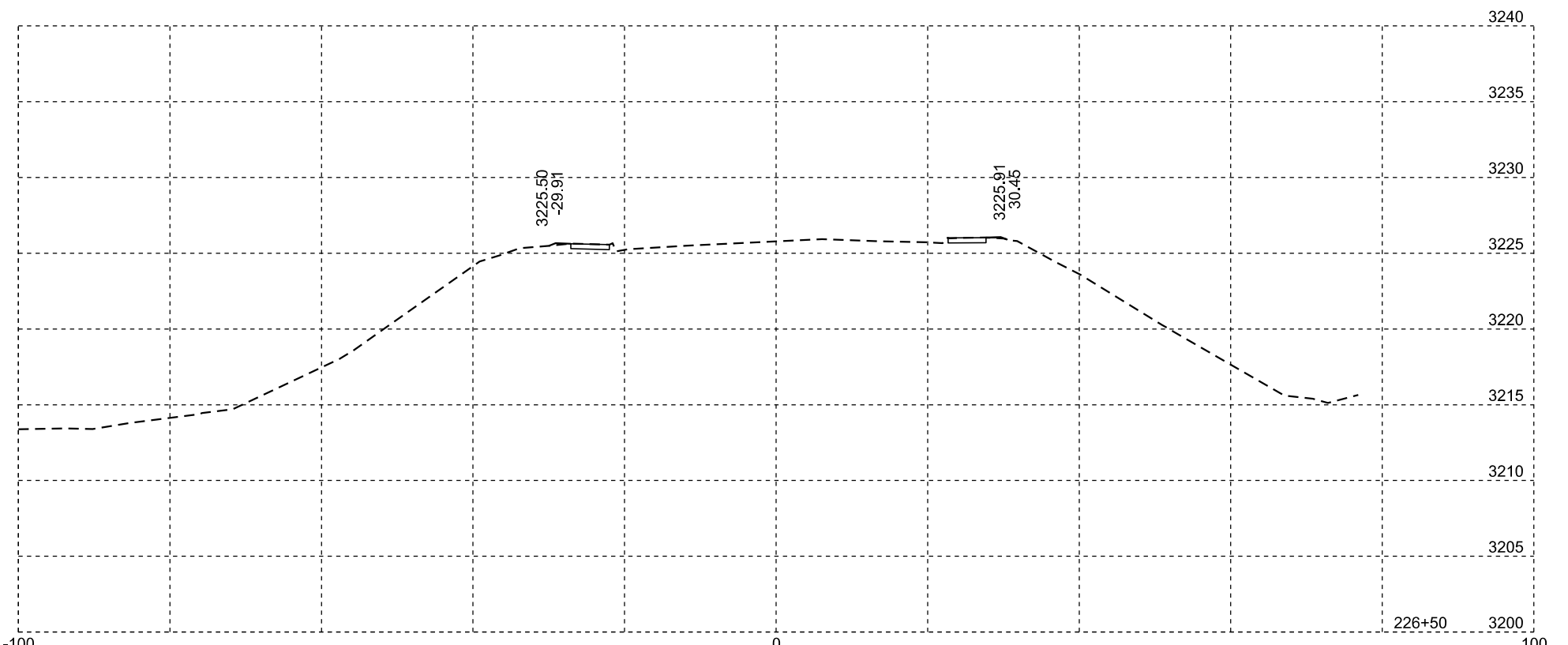
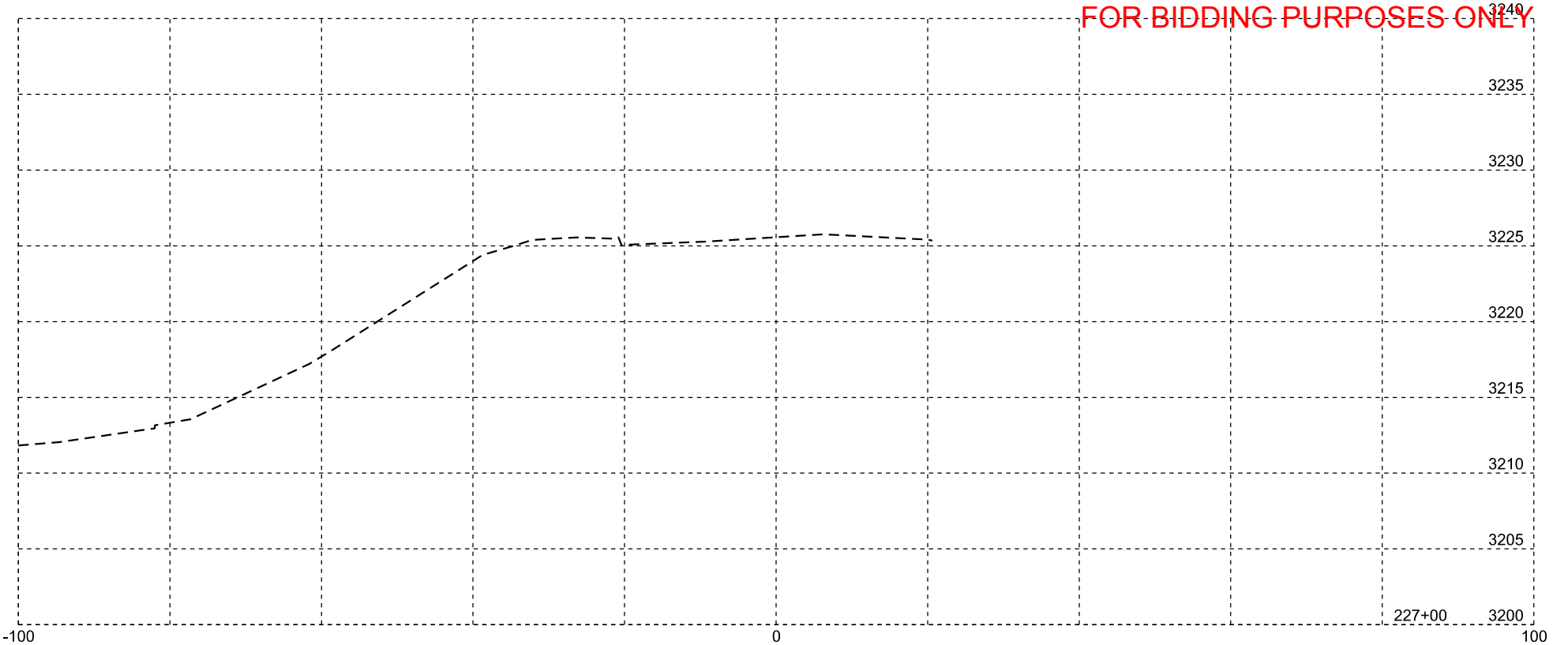


Rev. 8/2/2024 BAF
Plotting Date: 7/31/2024

STATE OF SOUTH DAKOTA	PROJECT	SHEET NO.	TOTAL SHEETS
	NH-CR-EM 0018(195)103 P 0407(05)01	X27	X56



FOR BIDDING PURPOSES ONLY

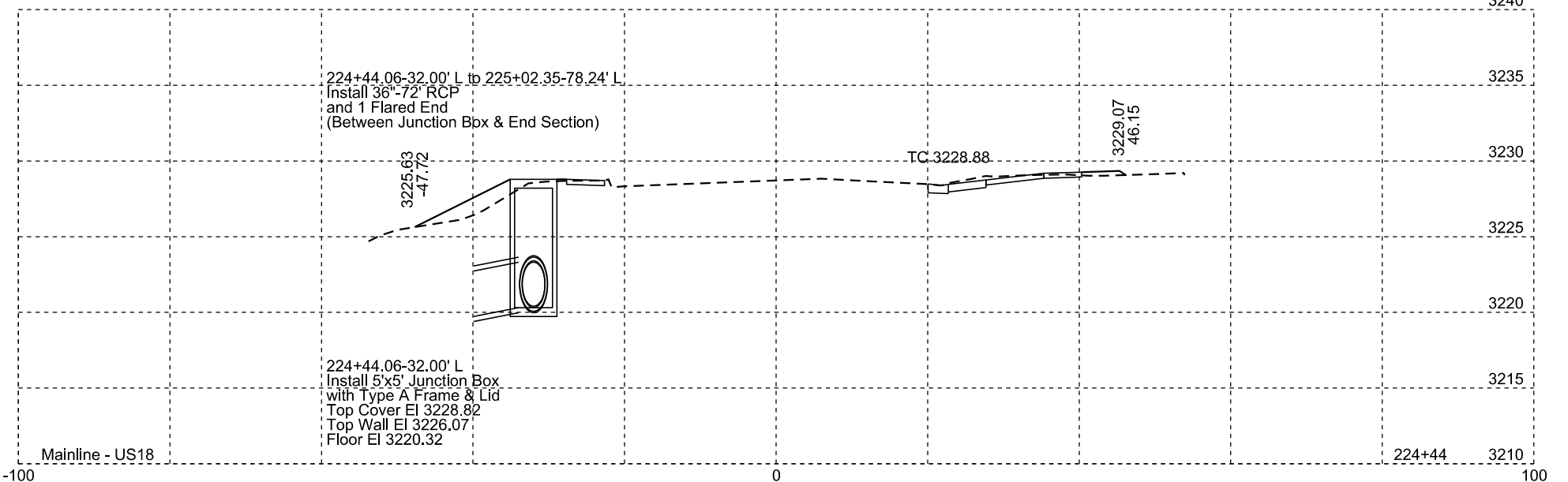
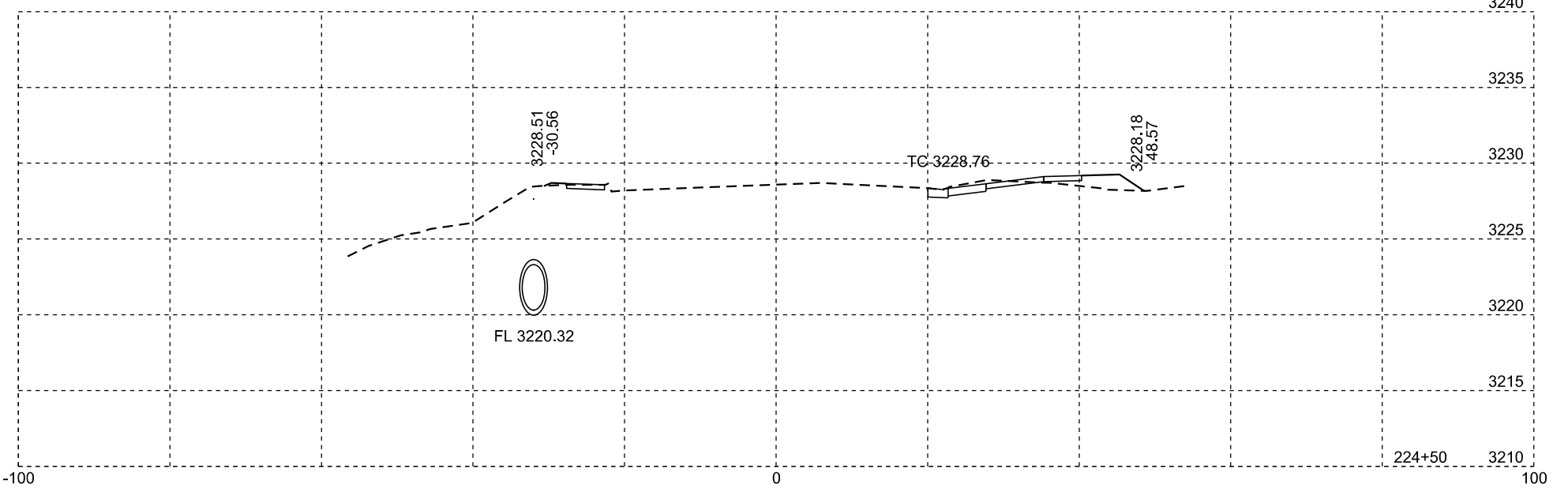
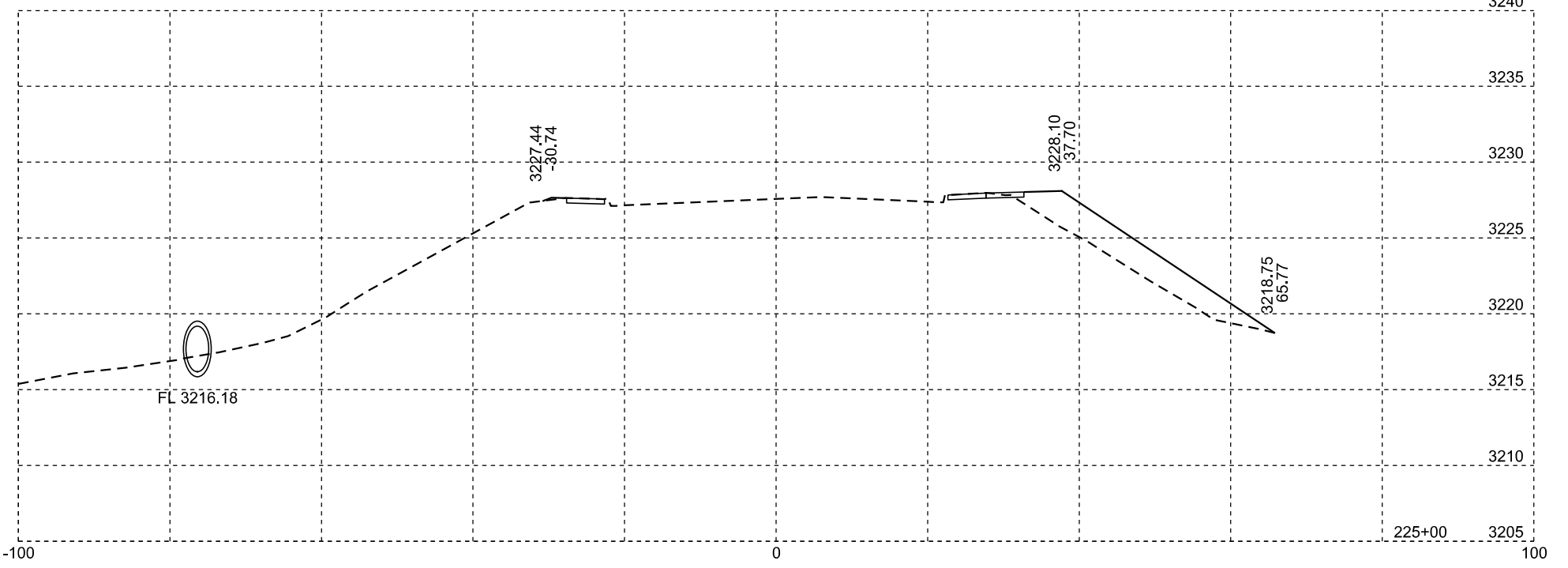
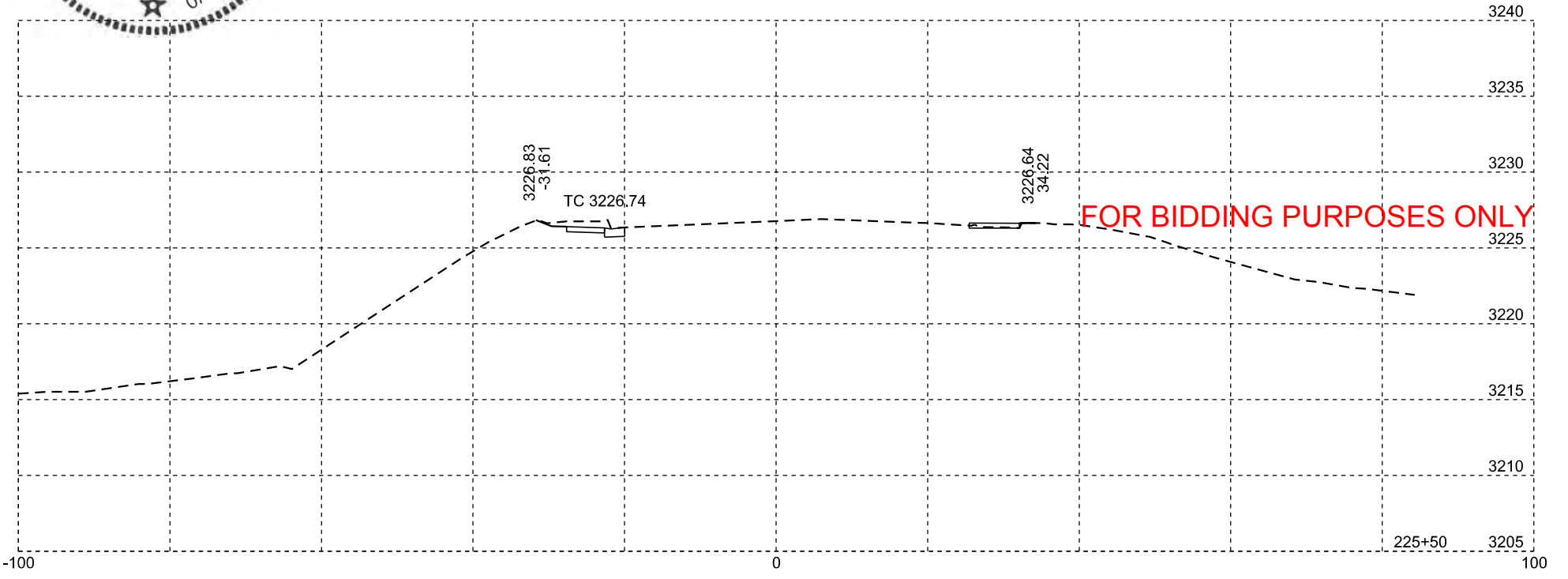
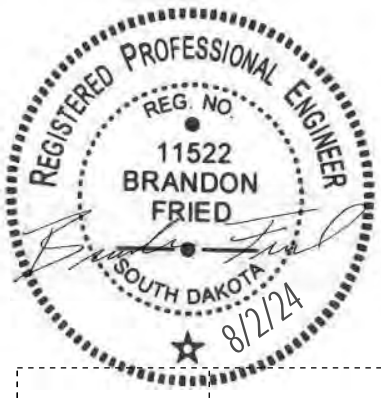


Mainline - US18



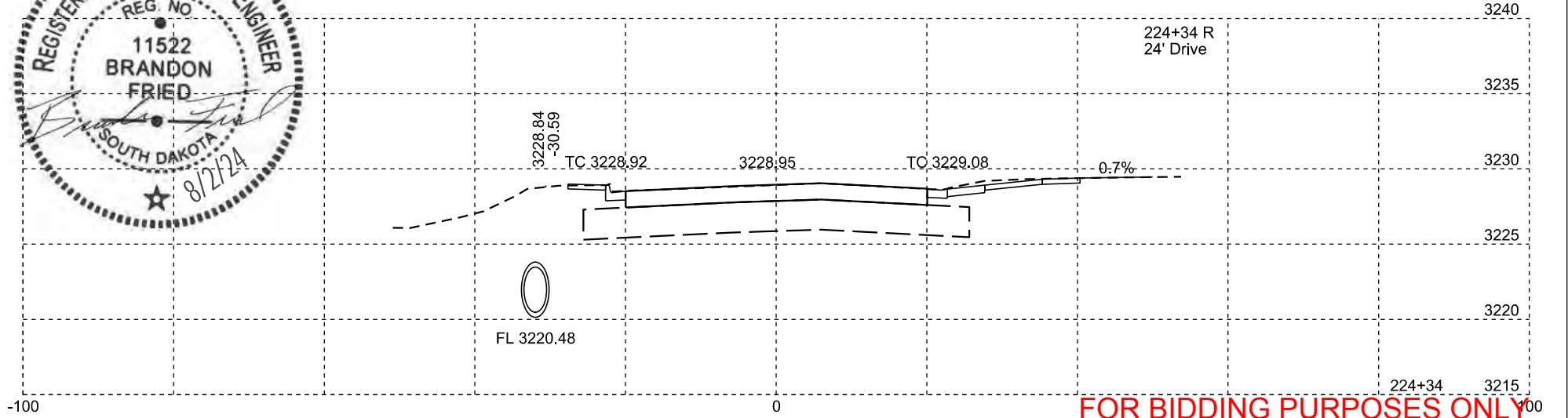
Rev. 8/2/2024 BAF
Plotting Date: 7/31/2024

STATE OF SOUTH DAKOTA	PROJECT	SHEET NO.	TOTAL SHEETS
	NH-CR-EM 0018(195)103 P 0407(05)01		

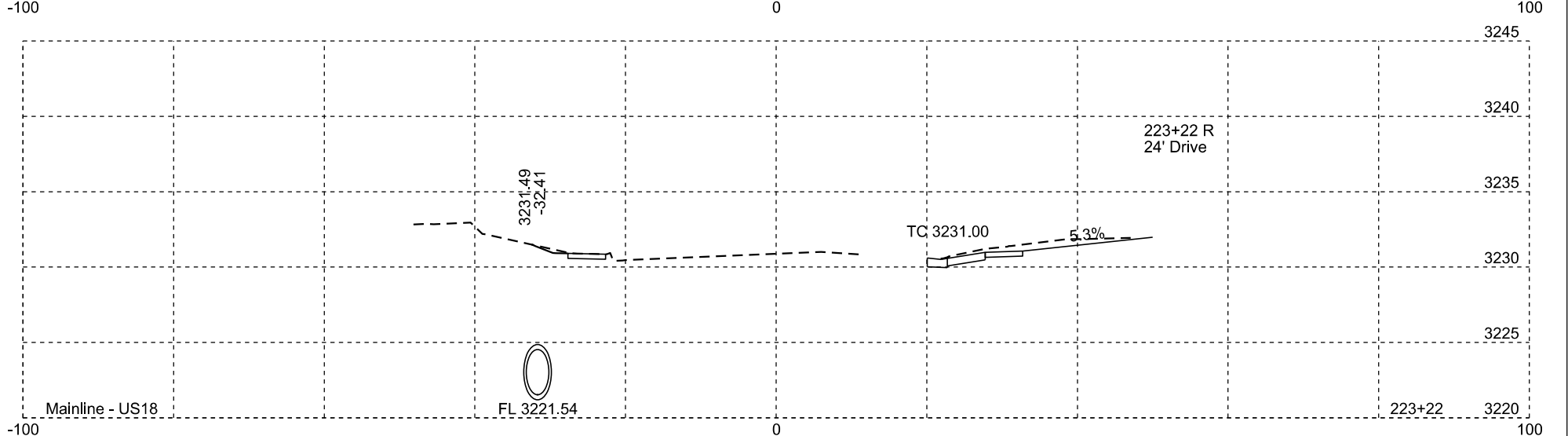
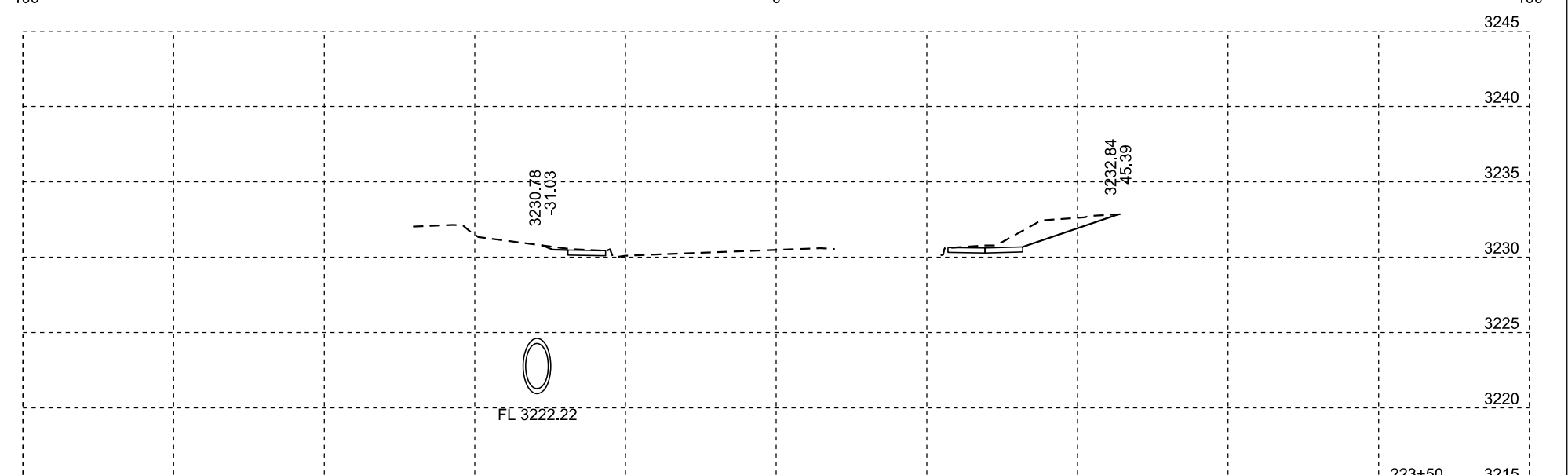
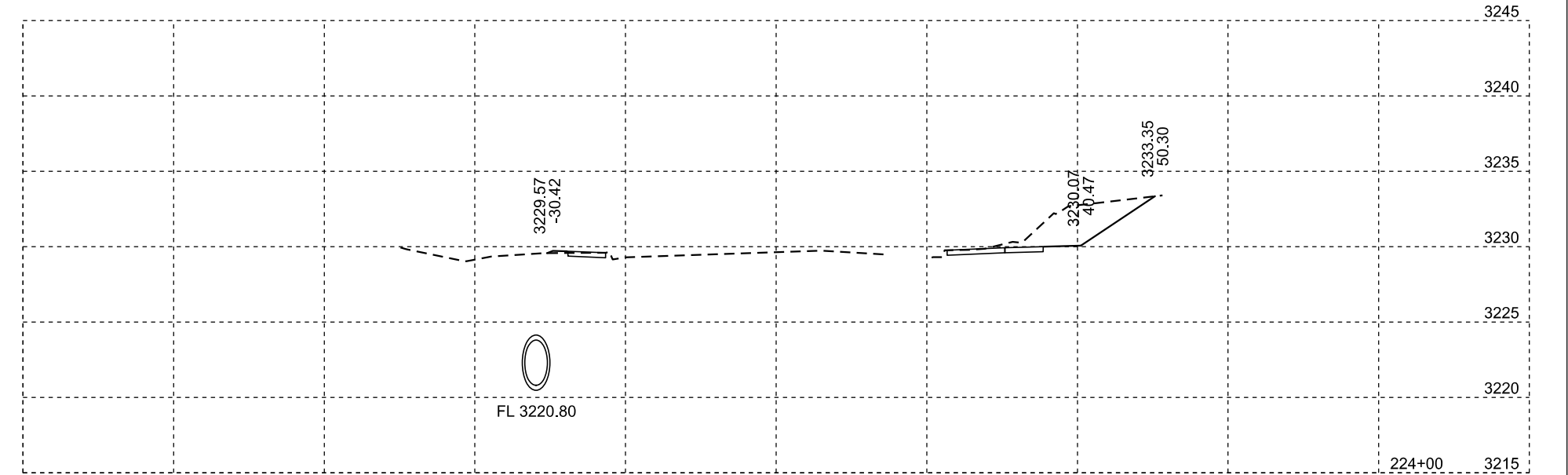
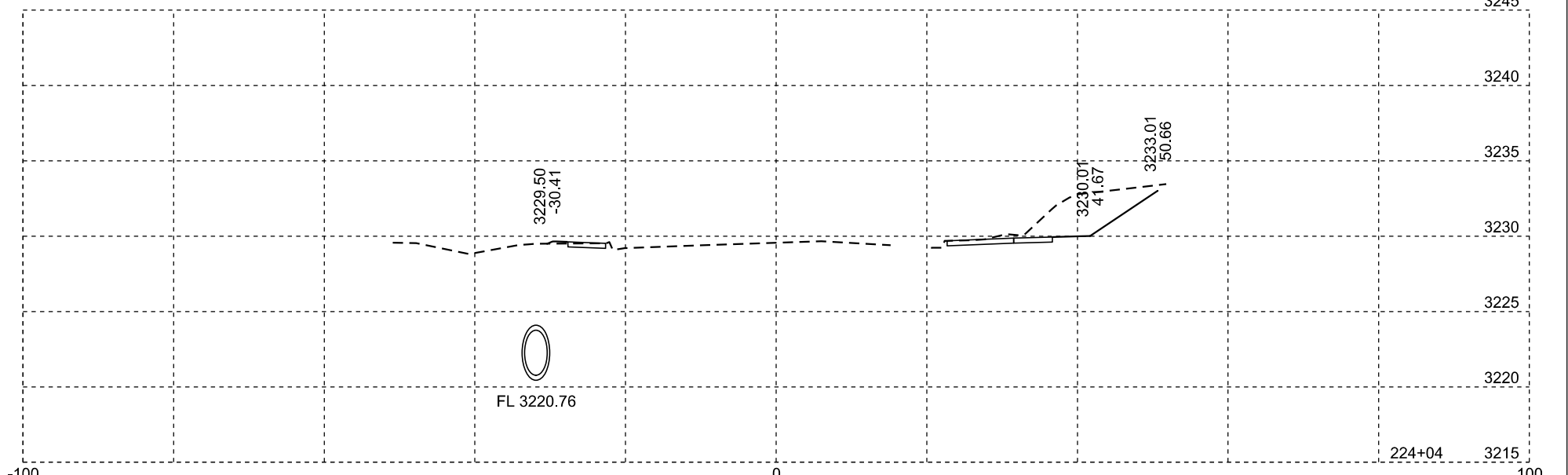


Rev. 8/2/2024 BAF
Plotting Date: 7/31/2024

STATE OF SOUTH DAKOTA	PROJECT	SHEET NO.	TOTAL SHEETS
	NH-CR-EM 0018(195)103 P 0407(05)01		
		X29	X56



FOR BIDDING PURPOSES ONLY

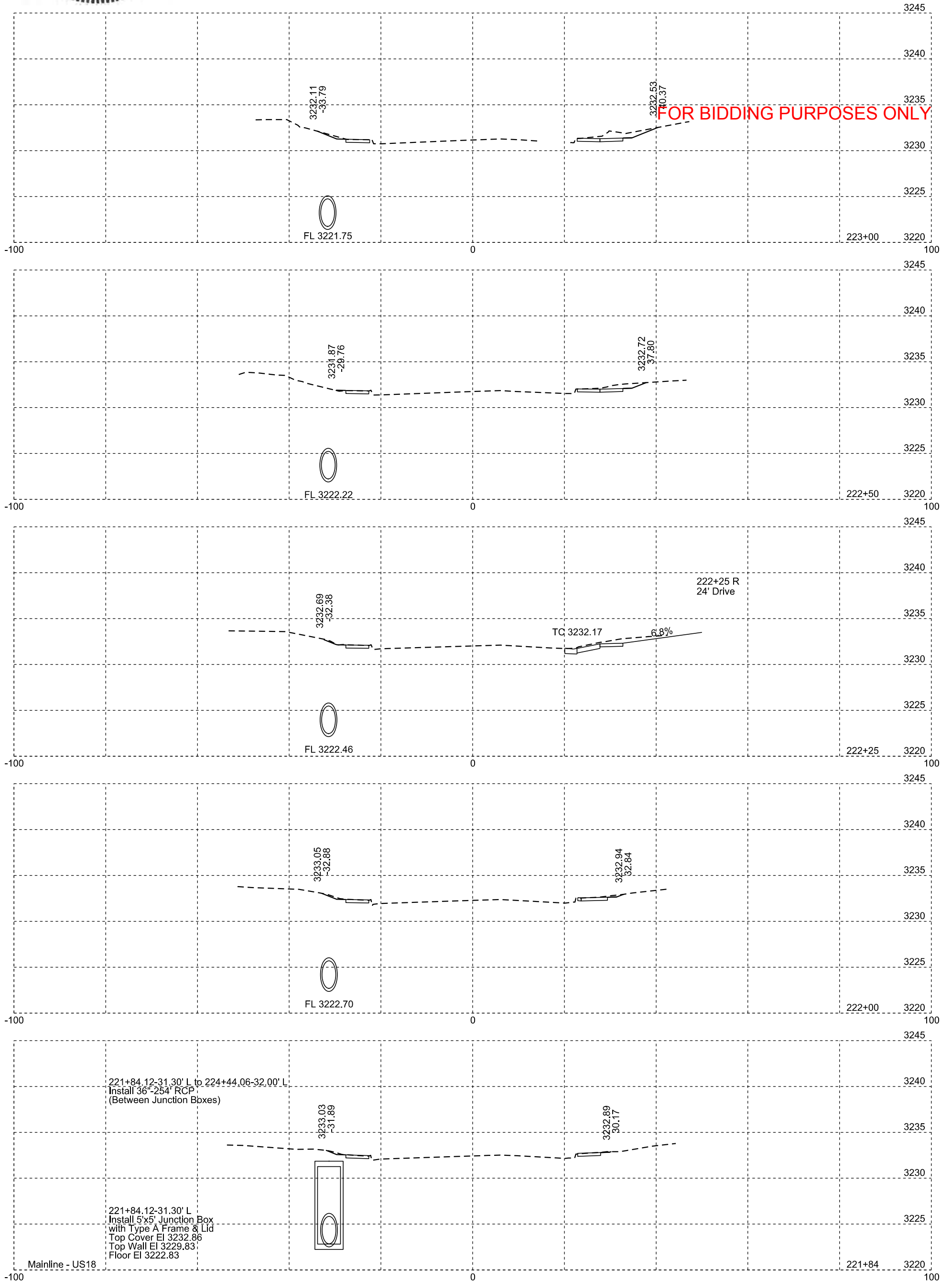


Mainline - US18



Rev. 8/2/2024 BAF
Plotting Date: 7/31/2024

STATE OF SOUTH DAKOTA	PROJECT	SHEET NO.	TOTAL SHEETS
	NH-CR-EM 0018(195)103 P 0407(05)01	X30	X56

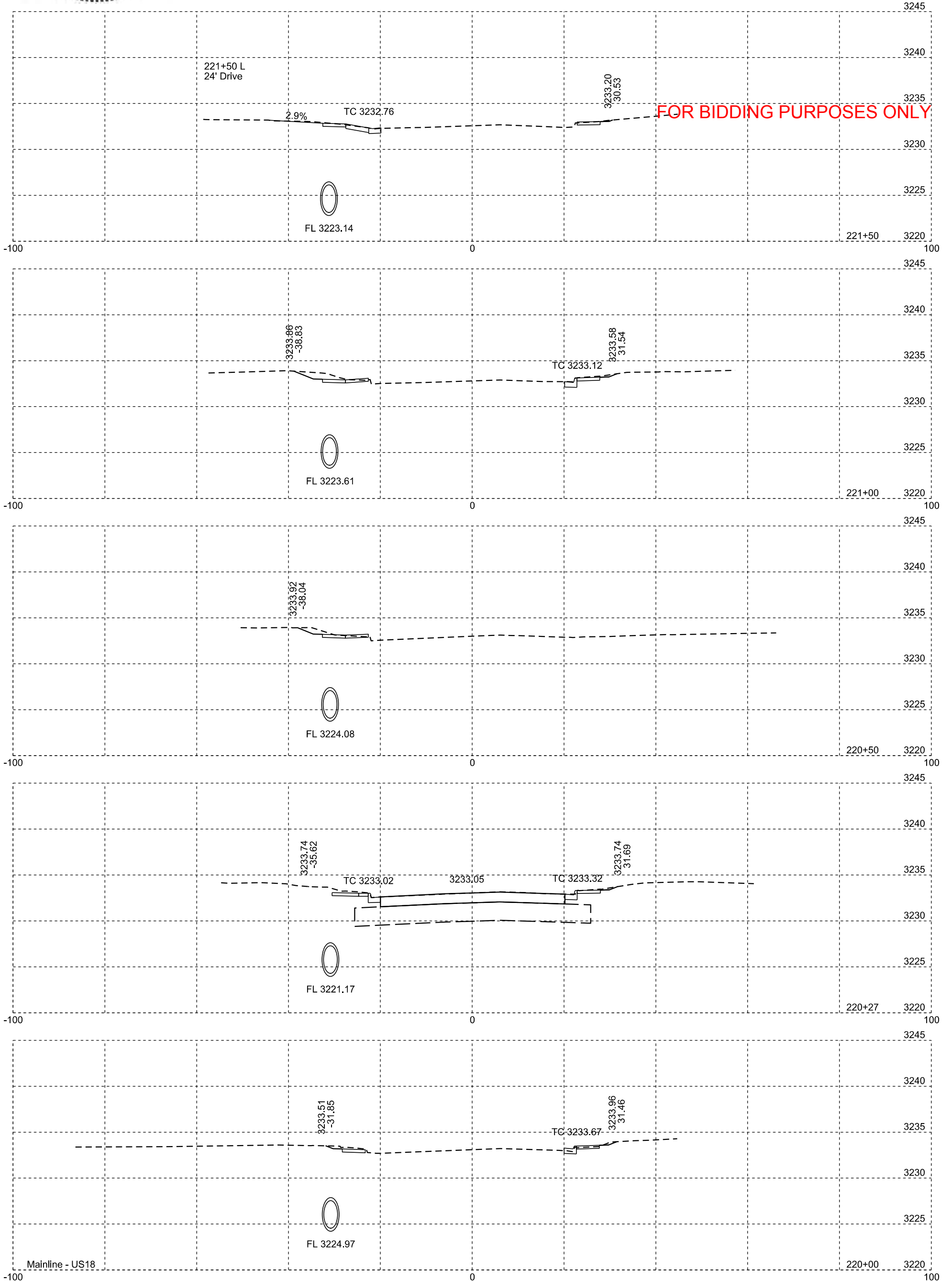


FOR BIDDING PURPOSES ONLY



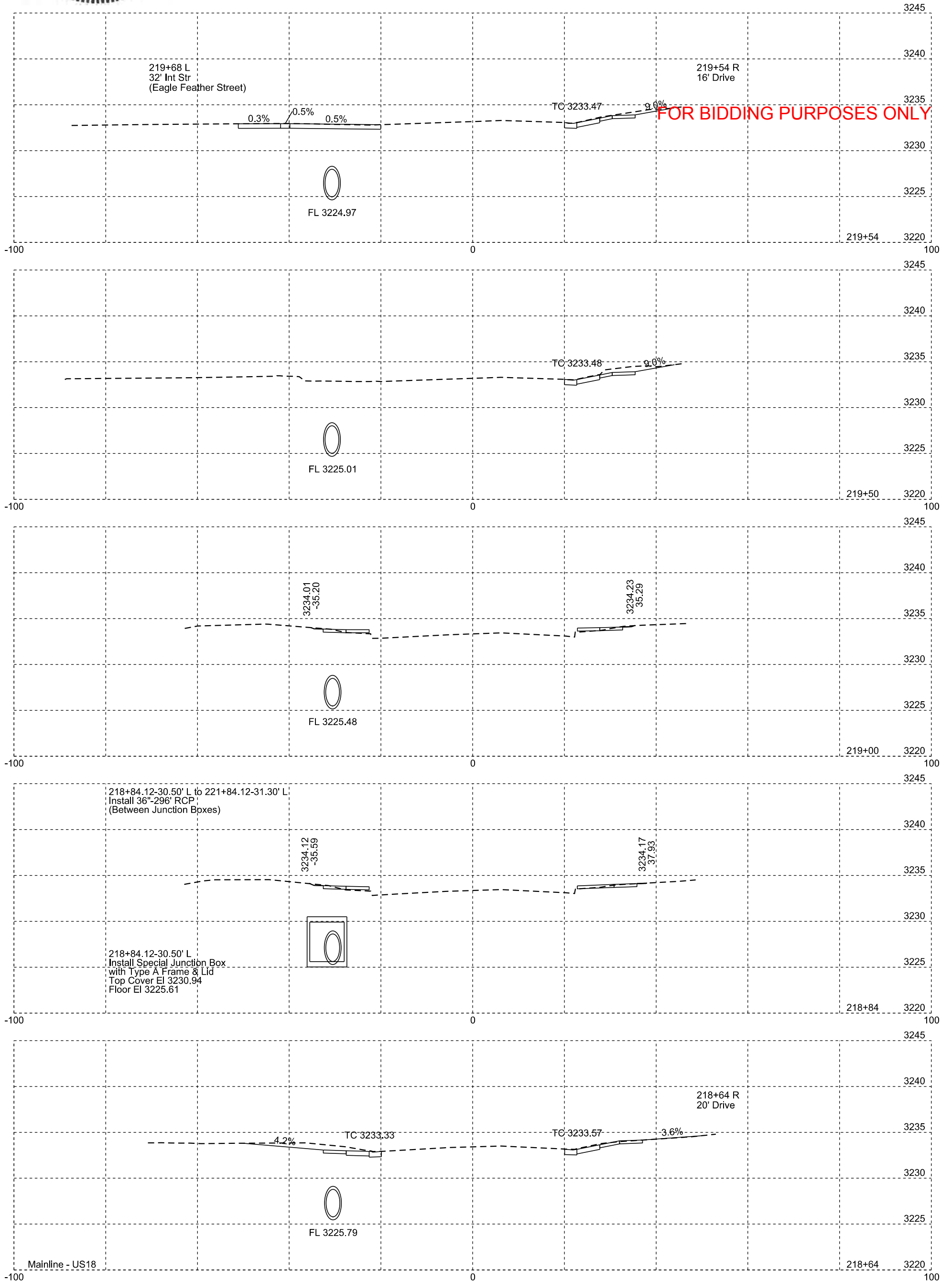
Rev. 8/2/2024 BAF
 Plotting Date: 7/31/2024

STATE OF SOUTH DAKOTA	PROJECT	SHEET NO.	TOTAL SHEETS
	NH-CR-EM 0018(195)103 P 0407(05)01	X31	X56



Rev. 8/2/2024 BAF
 Plotting Date: 7/31/2024

STATE OF SOUTH DAKOTA	PROJECT	SHEET NO.	TOTAL SHEETS
	NH-CR-EM 0018(195)103 P 0407(05)01	X32	X56

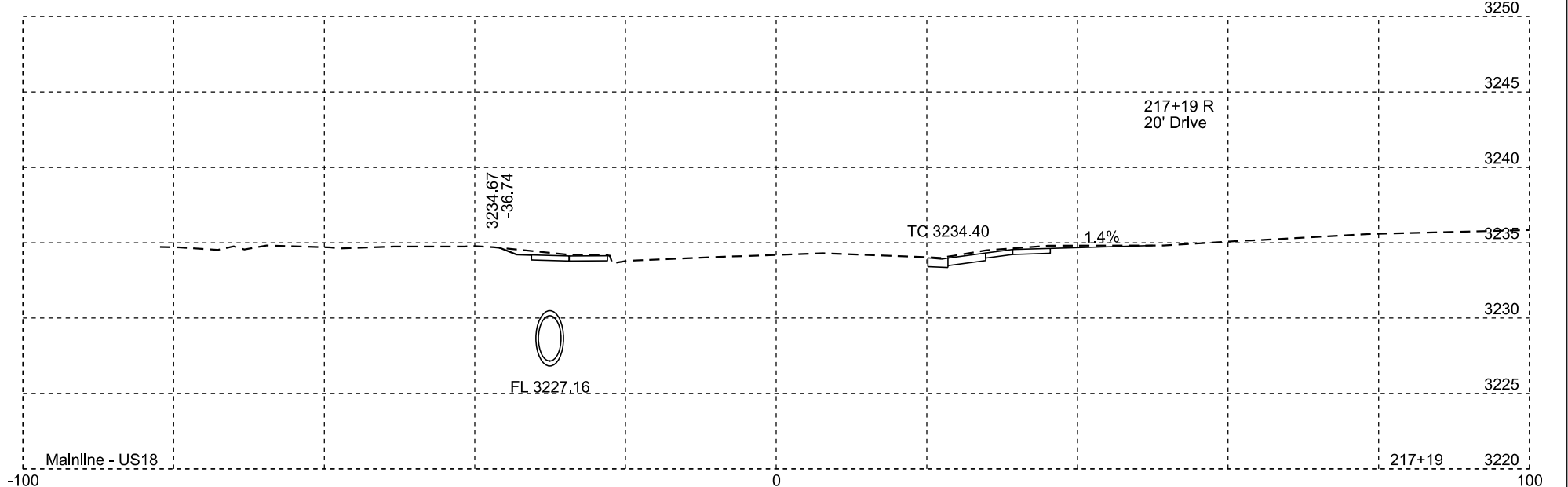
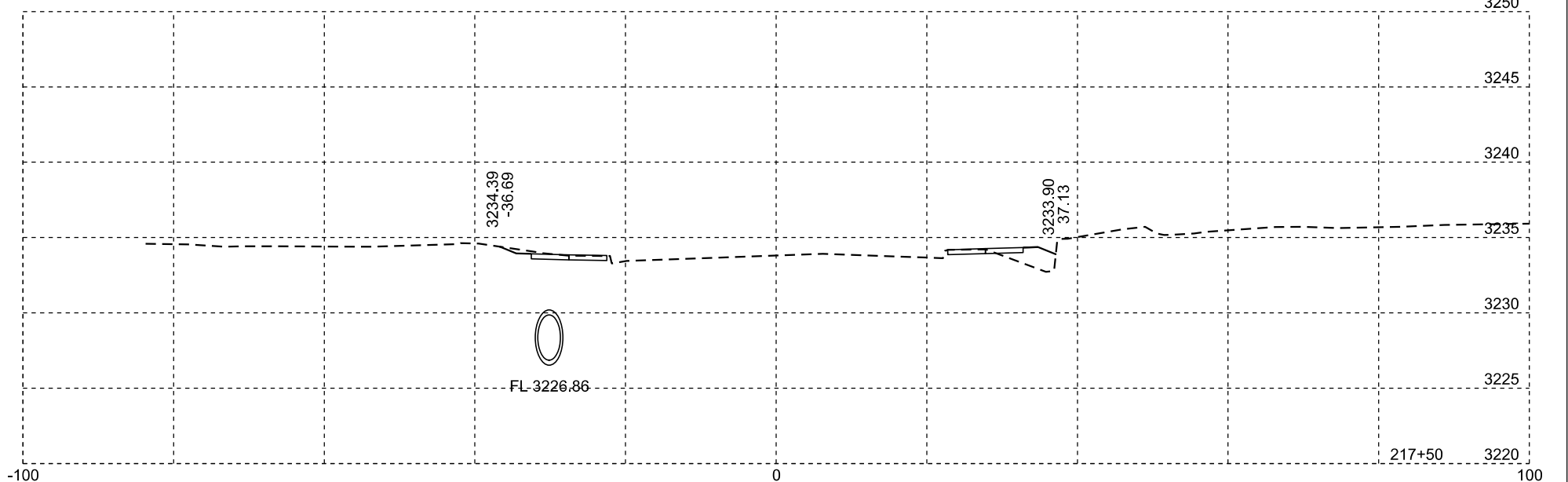
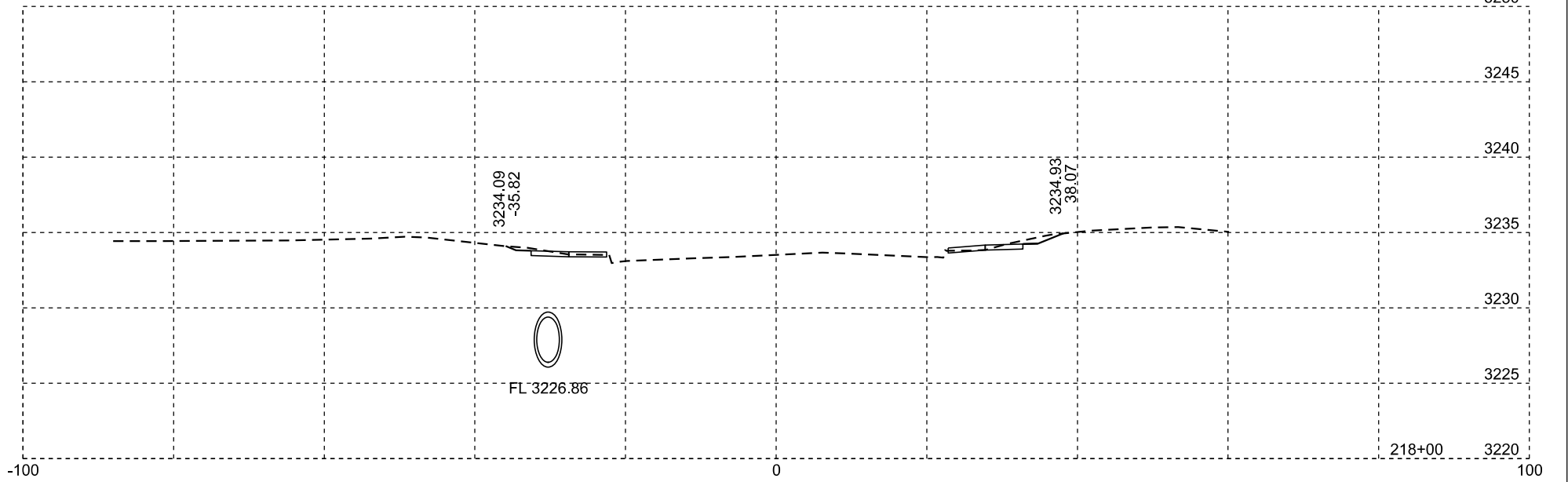
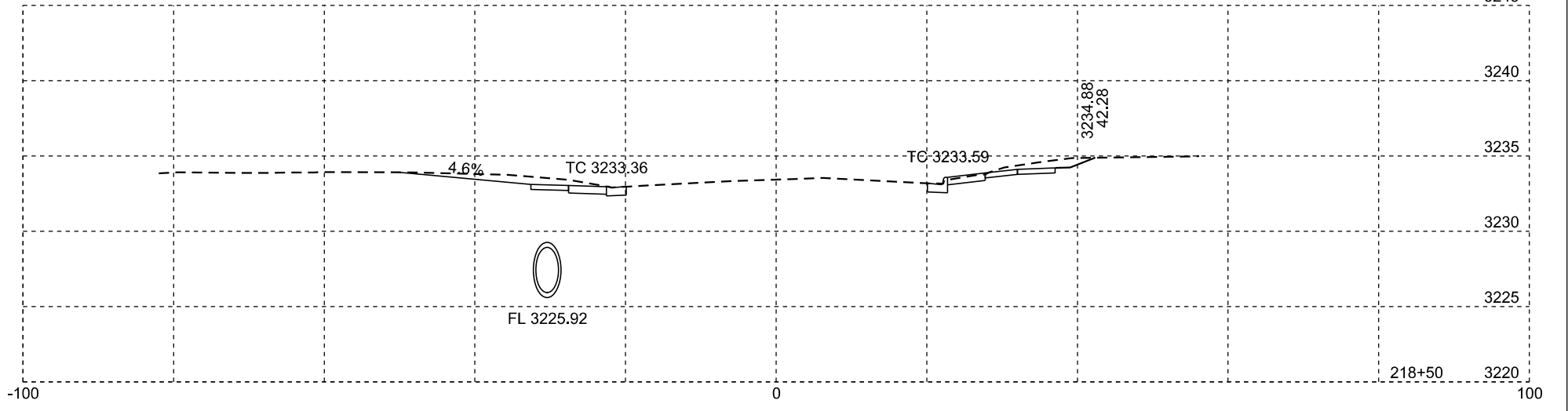
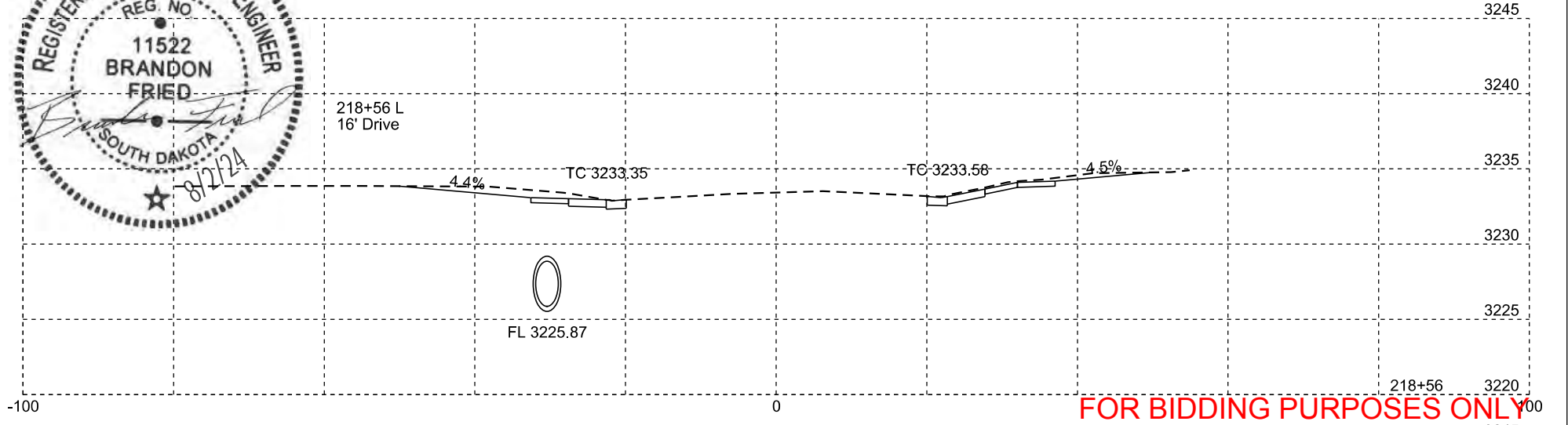


FOR BIDDING PURPOSES ONLY



Rev. 8/2/2024 BAF
Plotting Date: 7/31/2024

STATE OF SOUTH DAKOTA	PROJECT	SHEET NO.	TOTAL SHEETS
	NH-CR-EM 0018(195)103 P 0407(05)01	X33	X56



Mainline - US18

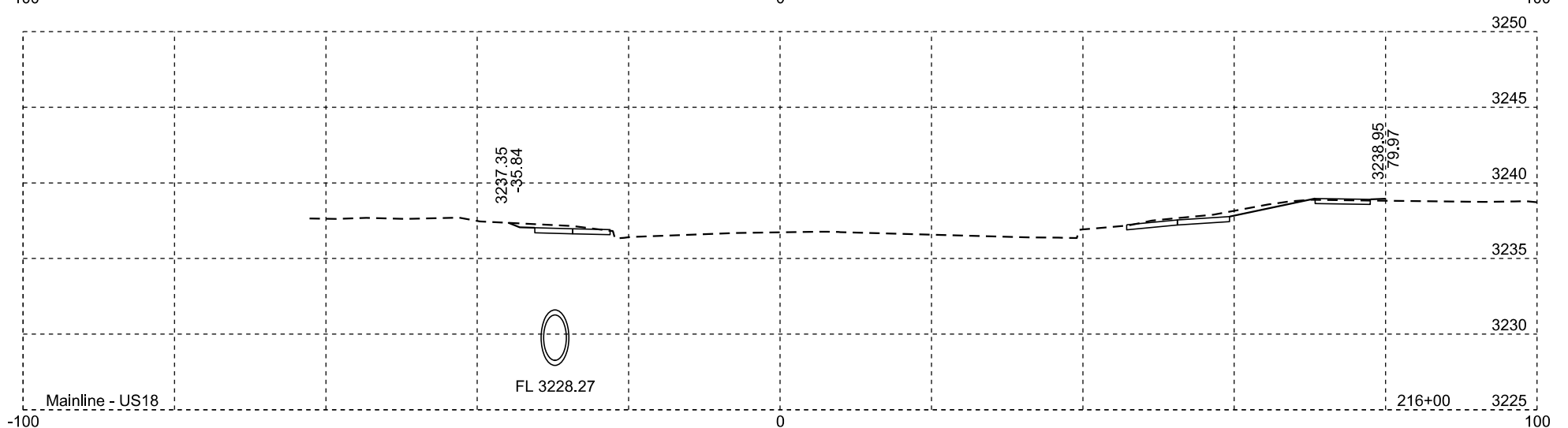
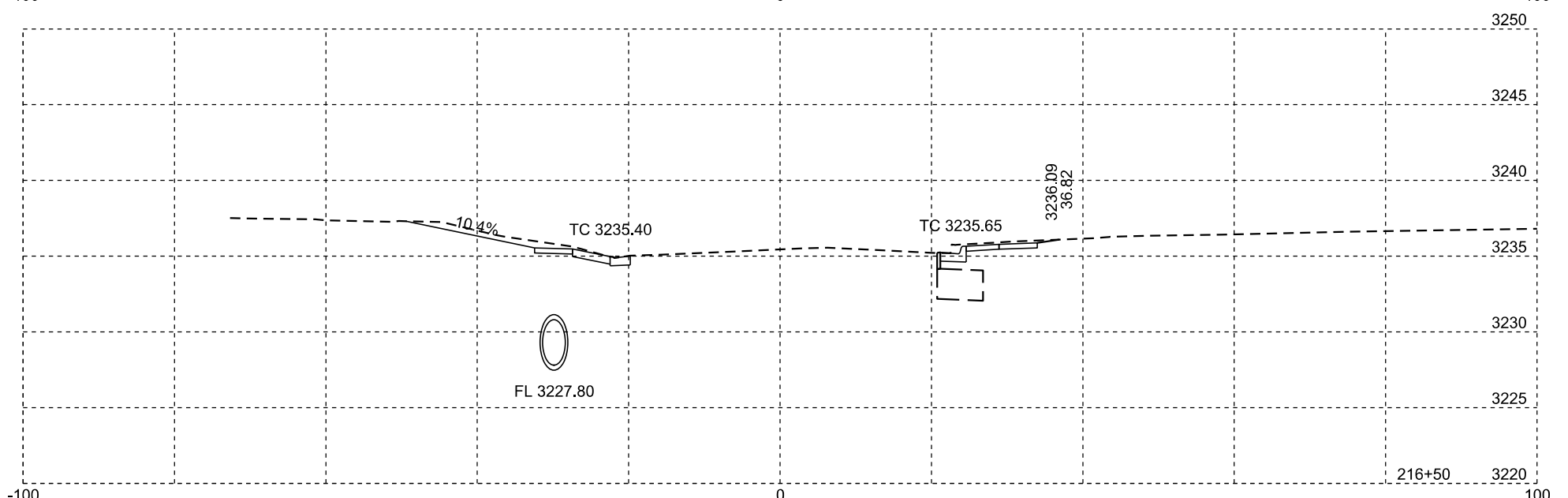
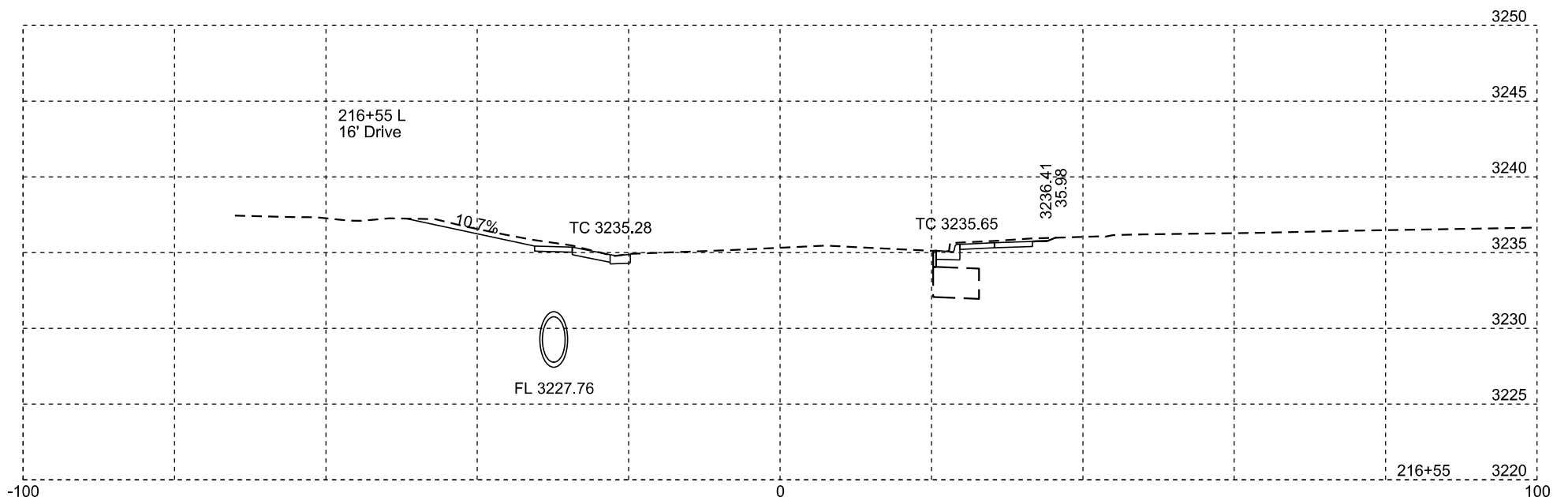
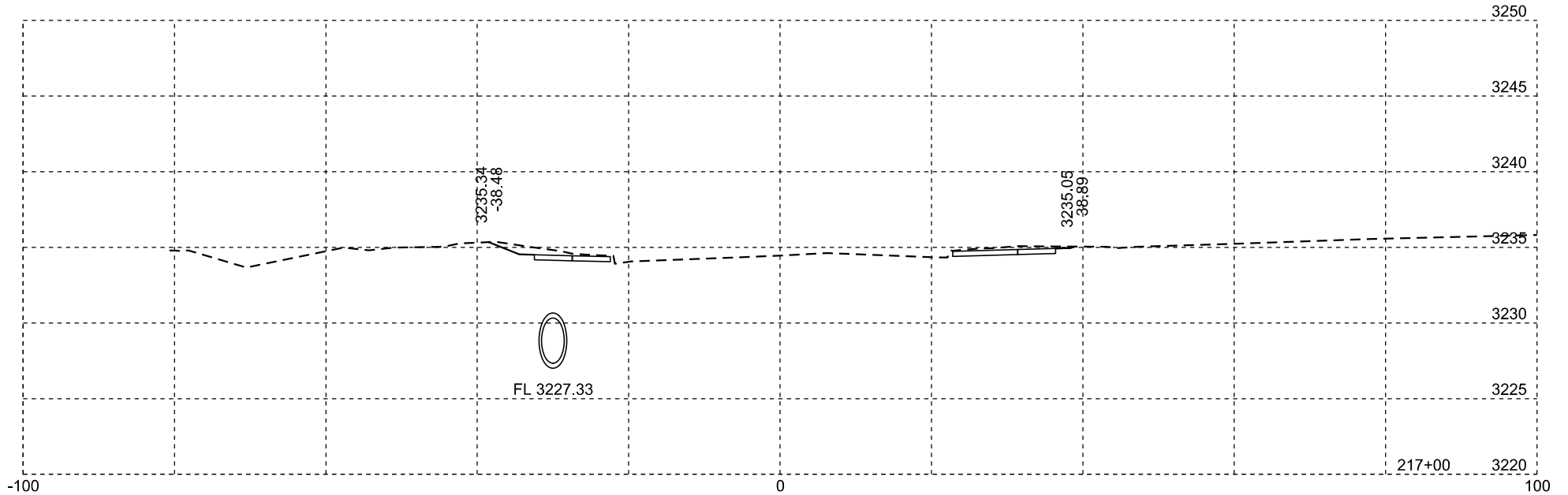


Rev. 8/2/2024 BAF
Plotting Date: 7/31/2024

STATE OF SOUTH DAKOTA	PROJECT	SHEET NO.	TOTAL SHEETS
	NH-CR-EM 0018(195)103 P 0407(05)01	X34	X56



FOR BIDDING PURPOSES ONLY

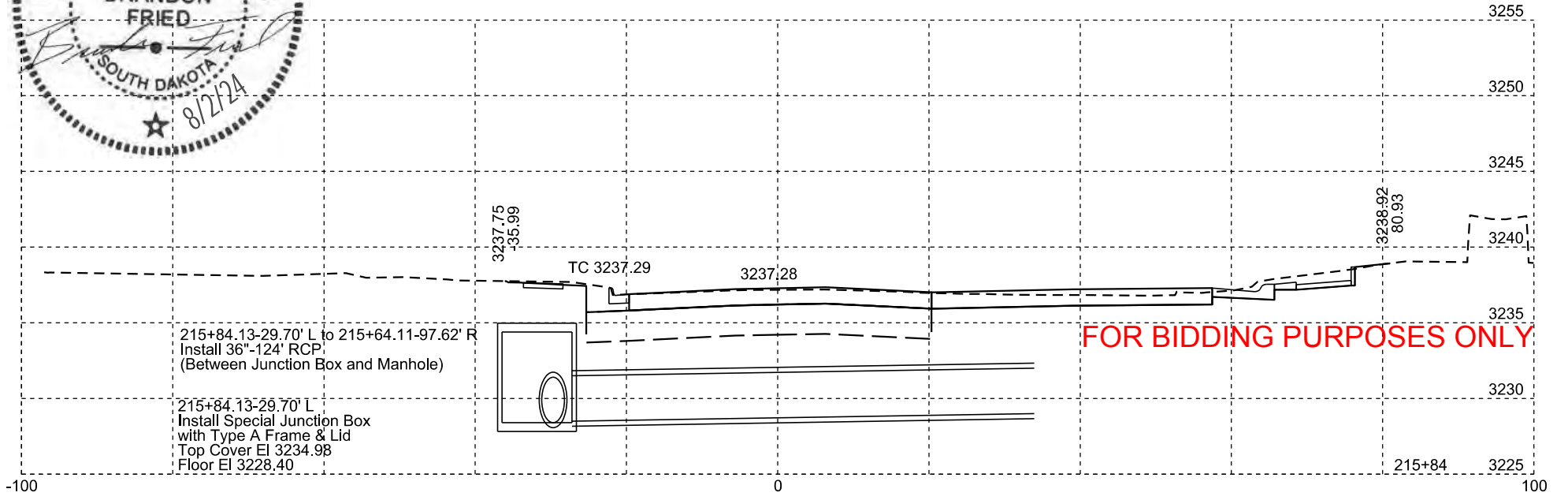


Mainline - US18

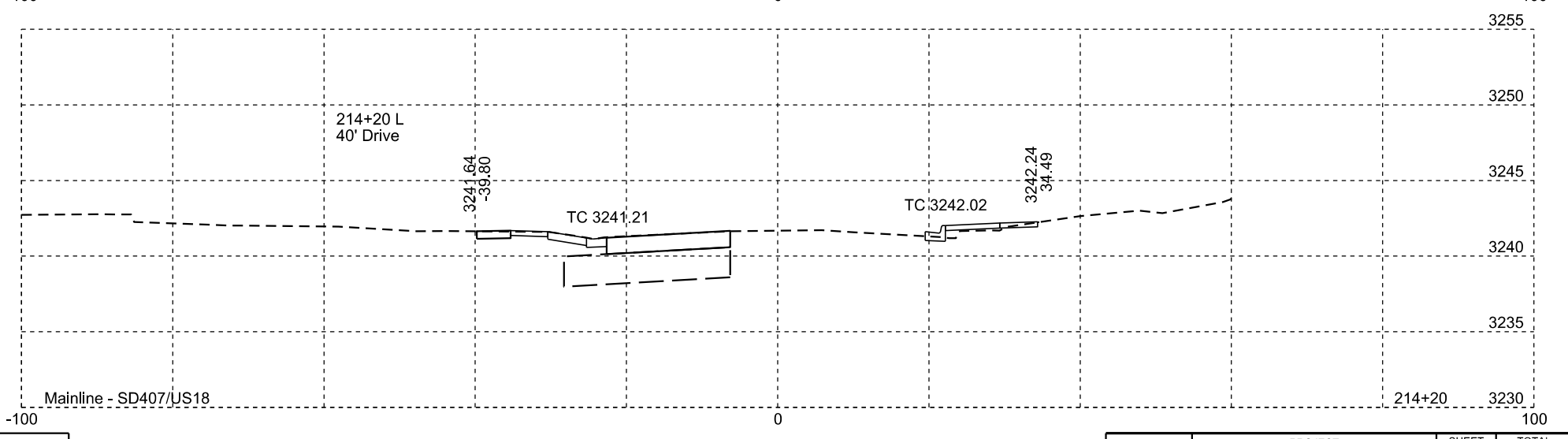
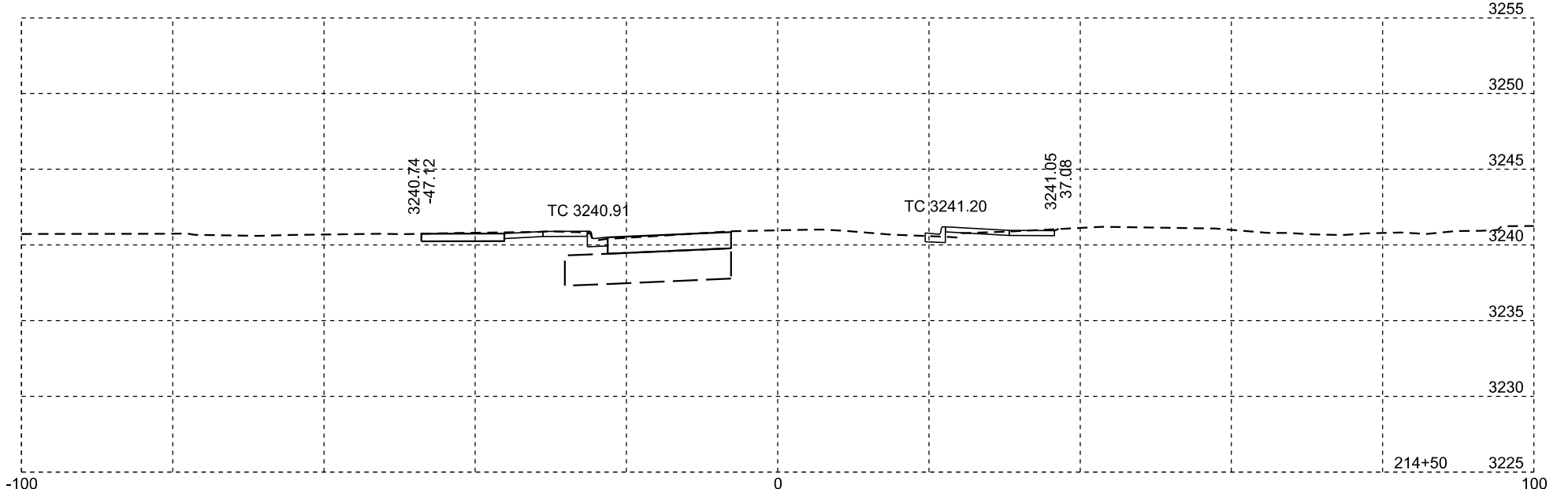
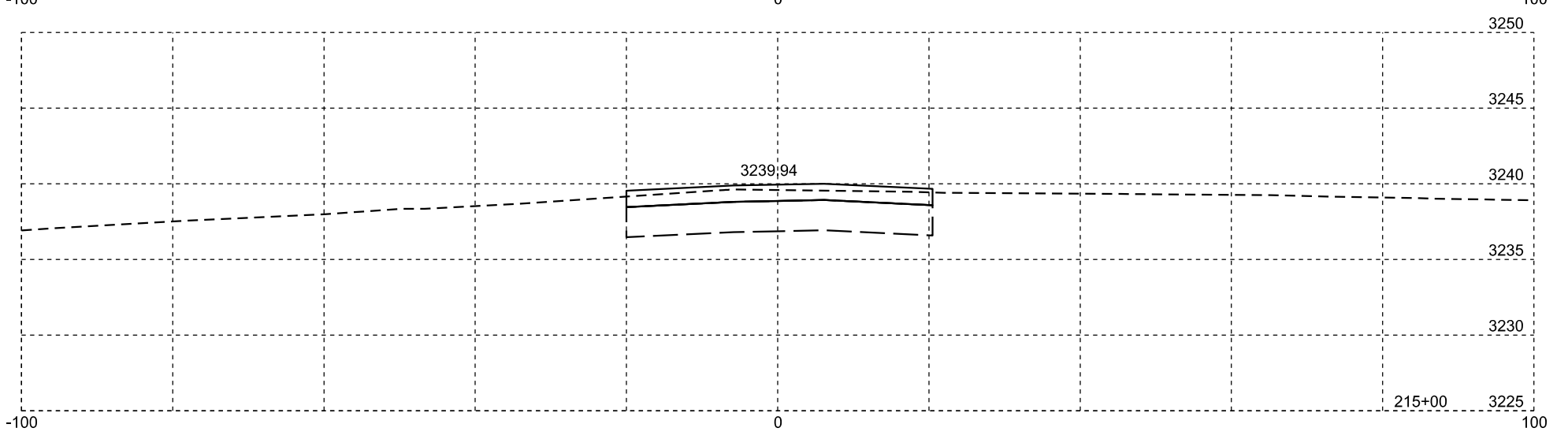
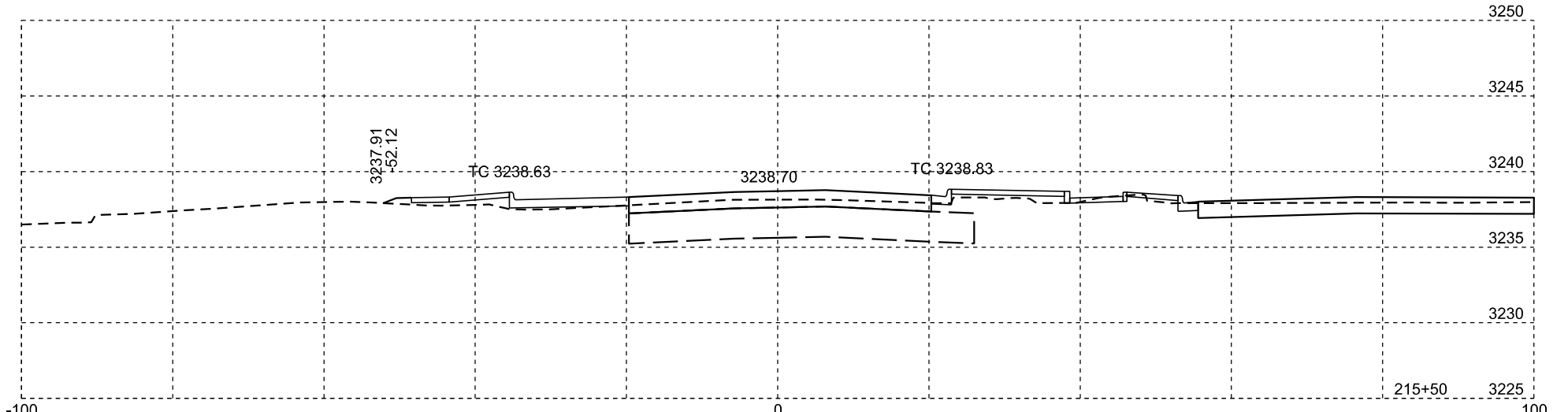


Rev. 8/2/2024 BAF
Plotting Date: 7/31/2024

STATE OF SOUTH DAKOTA	PROJECT	SHEET NO.	TOTAL SHEETS
	NH-CR-EM 0018(195)103 P 0407(05)01		



FOR BIDDING PURPOSES ONLY



Mainline - SD407/US18

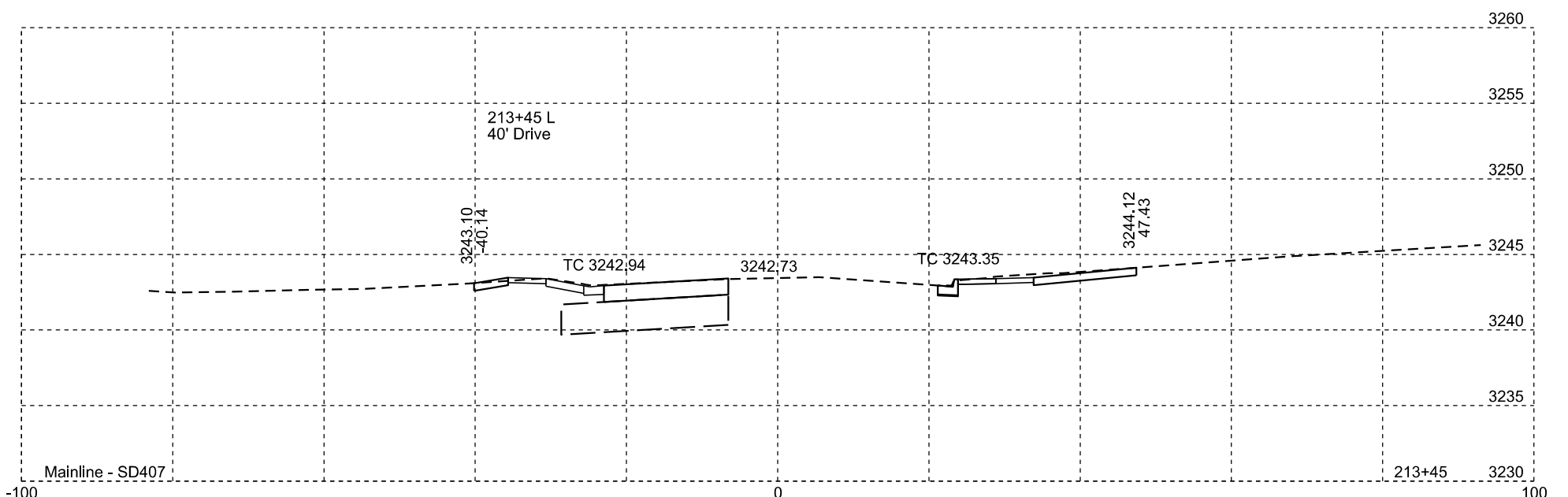
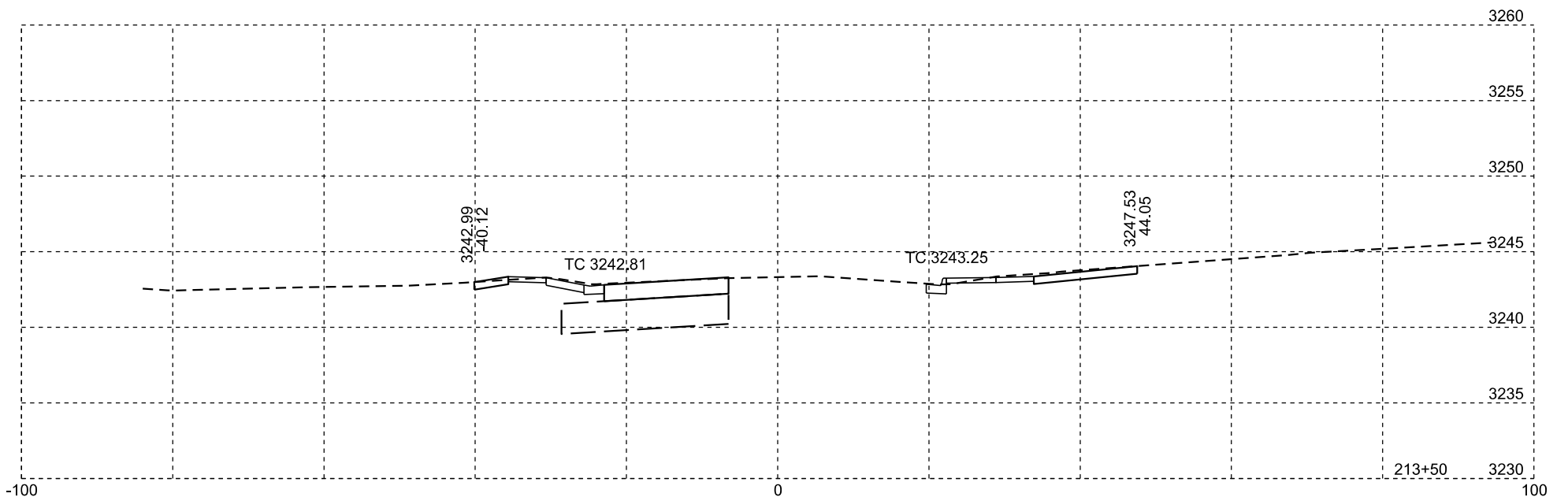
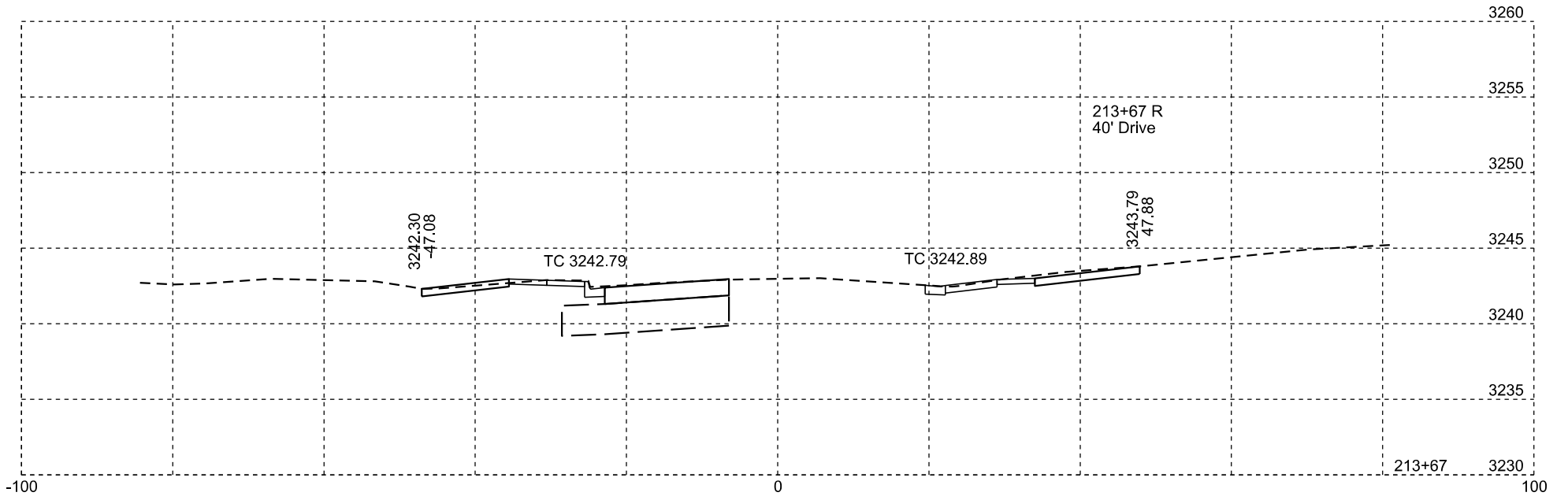
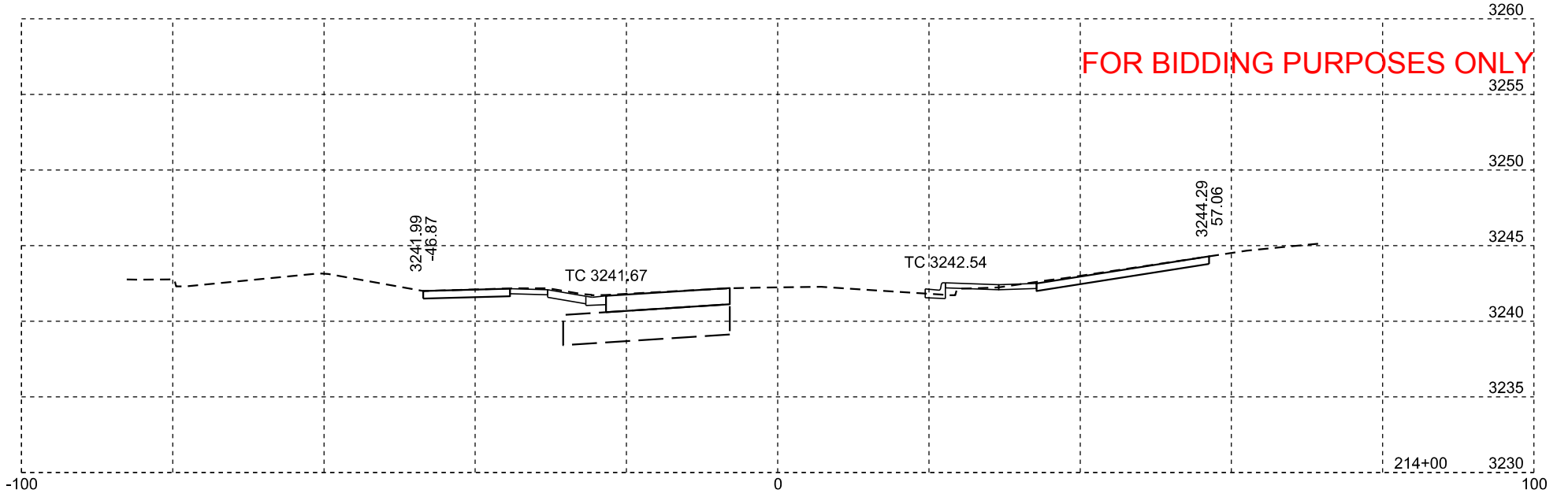


Rev. 8/2/2024 BAF
Plotting Date: 7/31/2024

STATE OF SOUTH DAKOTA	PROJECT	SHEET NO.	TOTAL SHEETS
	NH-CR-EM 0018(195)103 P 0407(05)01		



FOR BIDDING PURPOSES ONLY

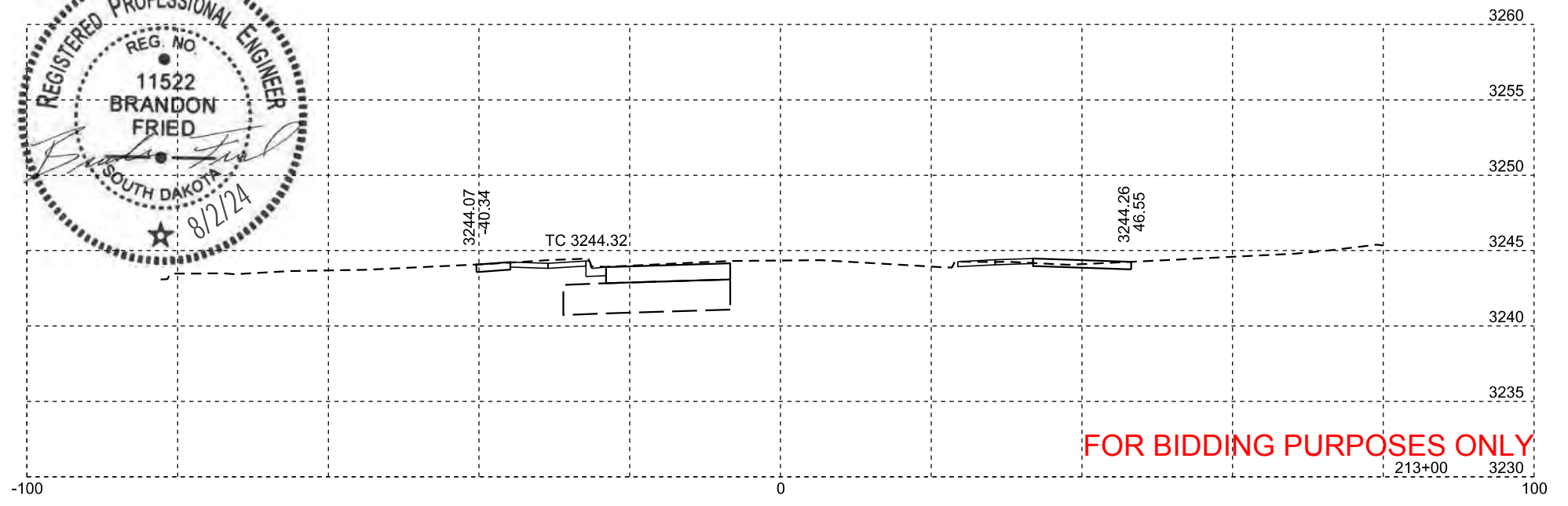


Mainline - SD407

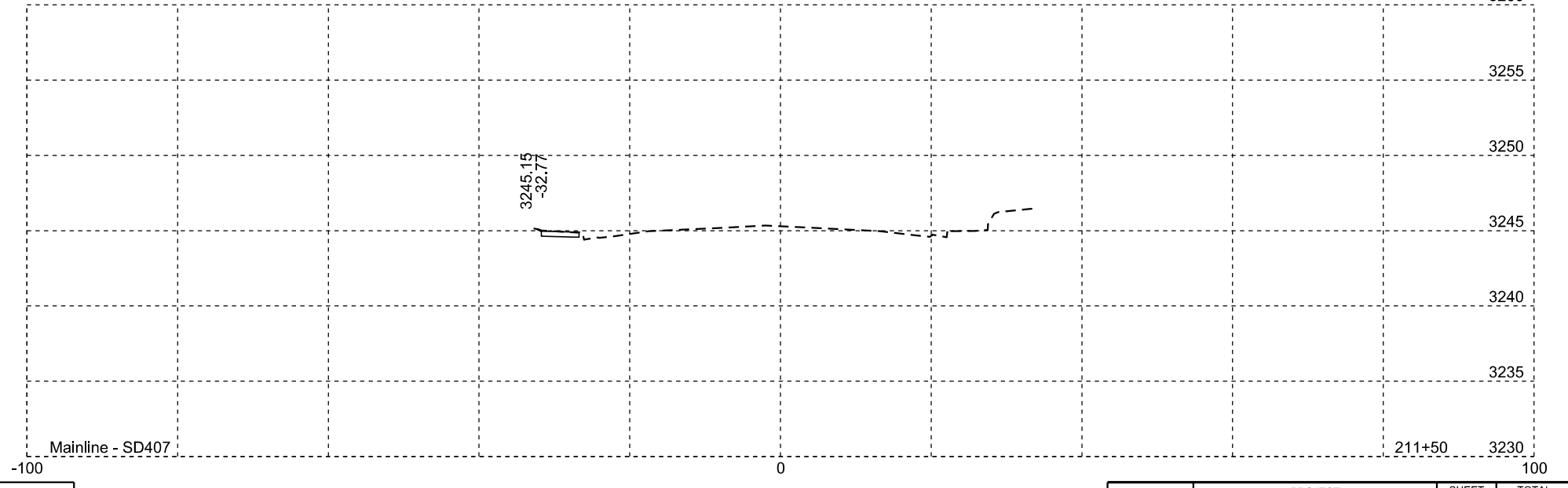
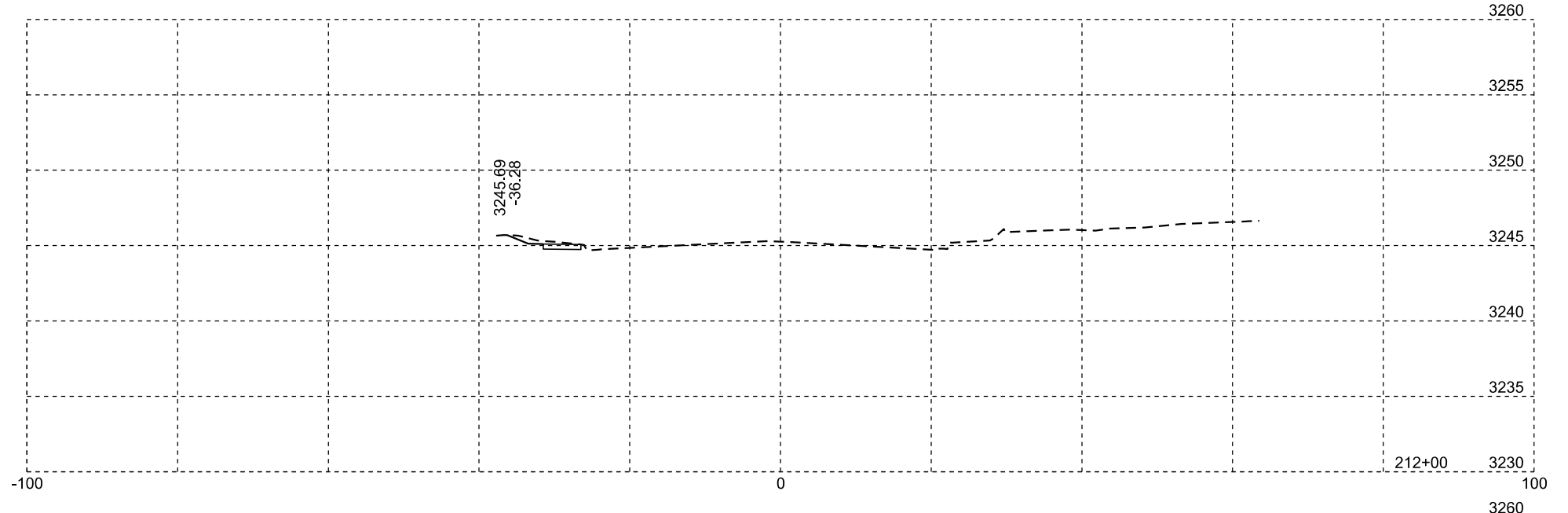
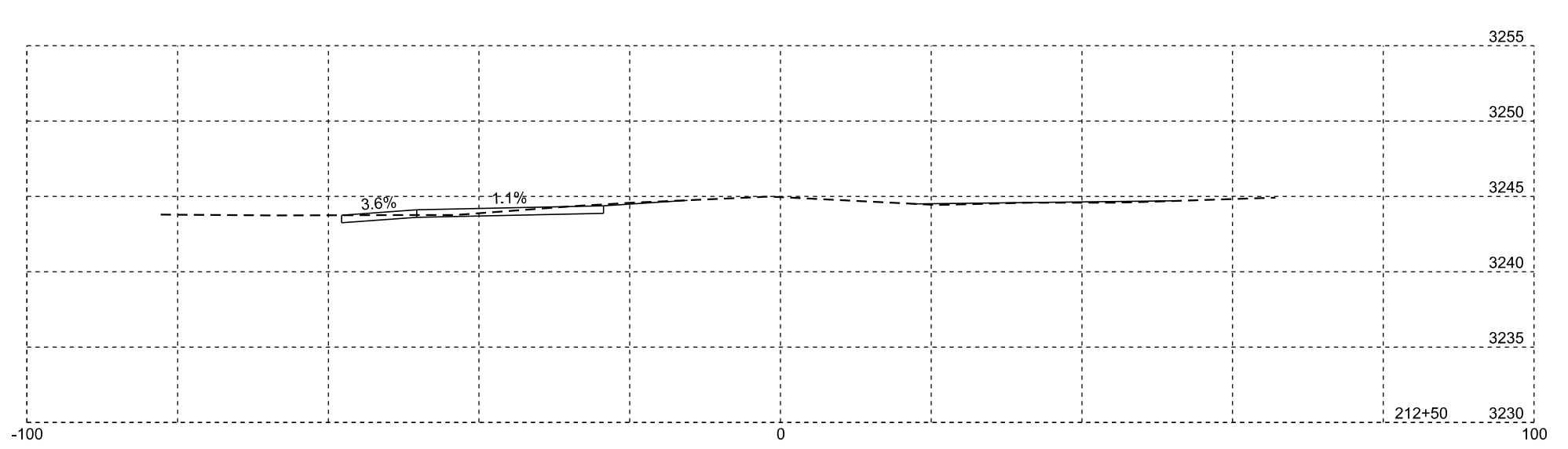
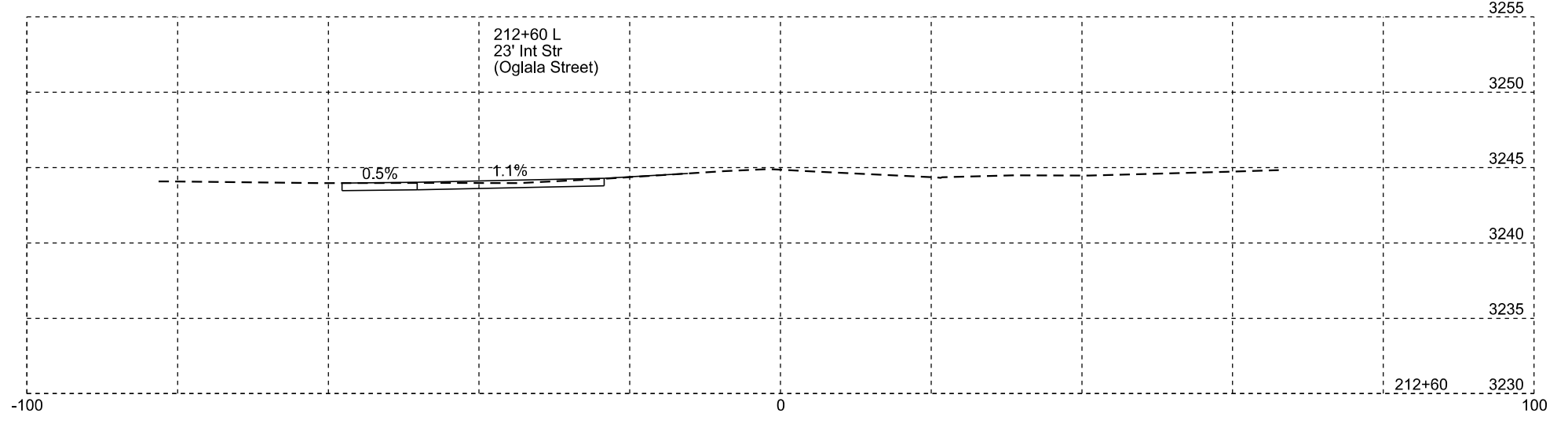


Rev. 8/2/2024 BAF
Plotting Date: 7/31/2024

STATE OF SOUTH DAKOTA	PROJECT	SHEET NO.	TOTAL SHEETS
	NH-CR-EM 0018(195)103 P 0407(05)01		



FOR BIDDING PURPOSES ONLY



Mainline - SD407

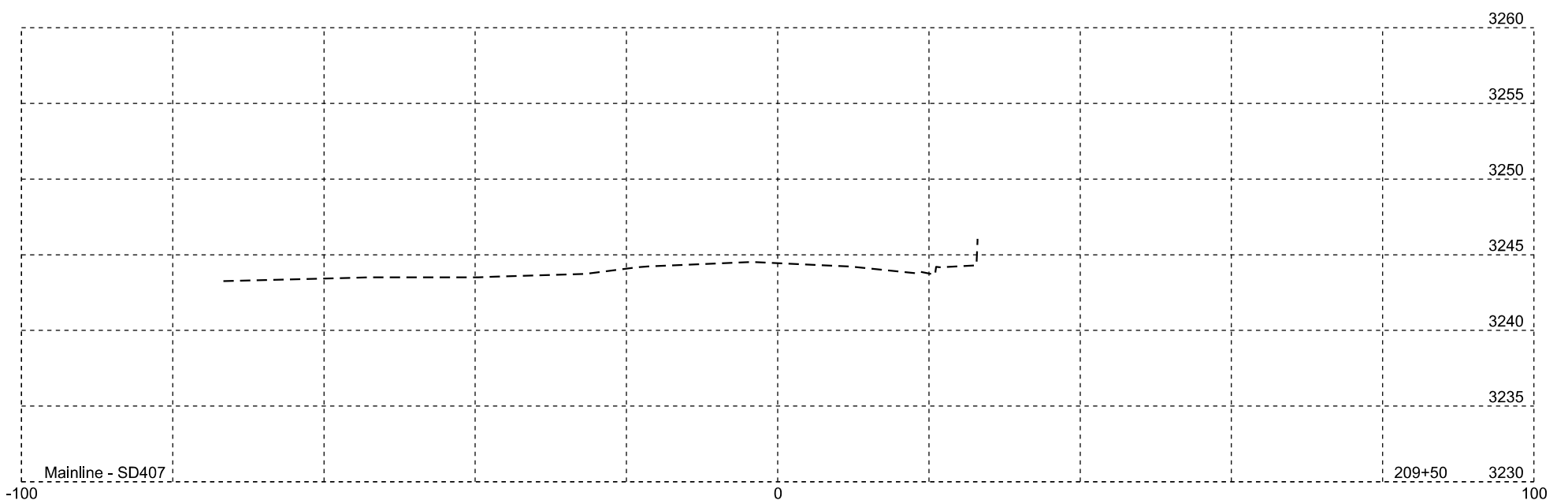
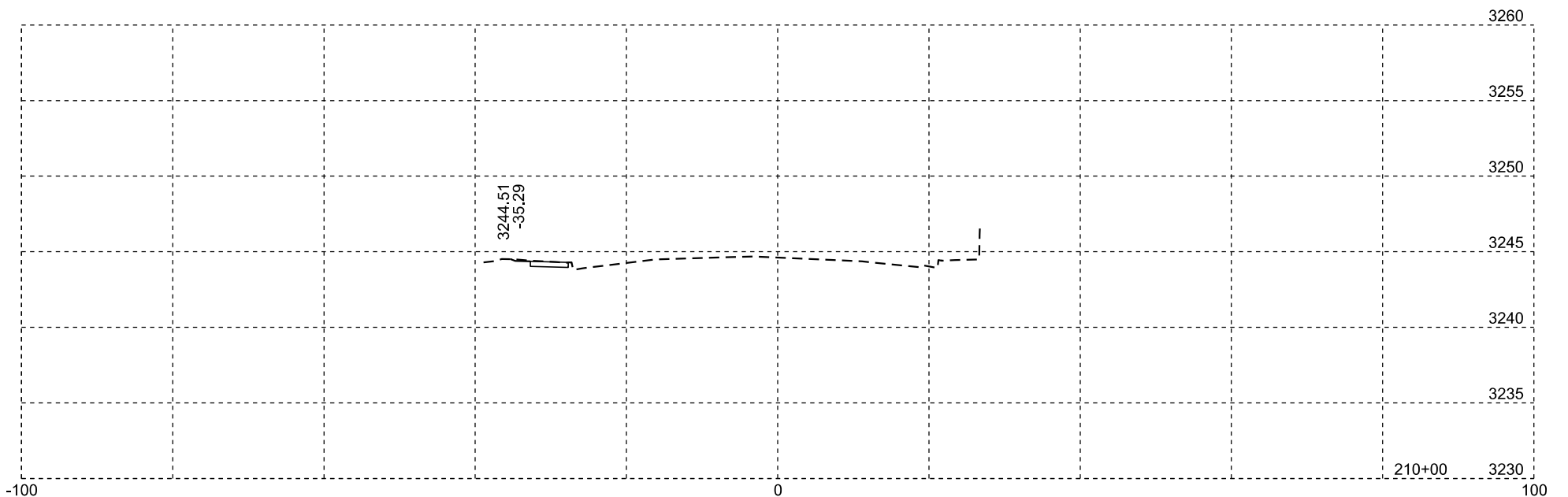
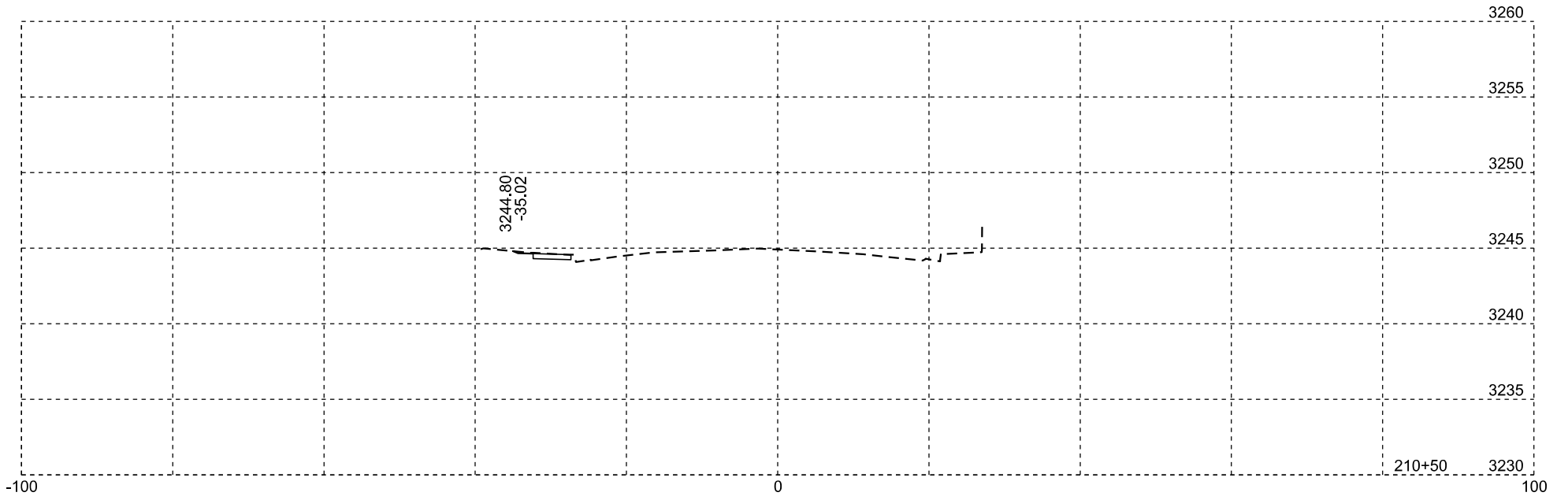
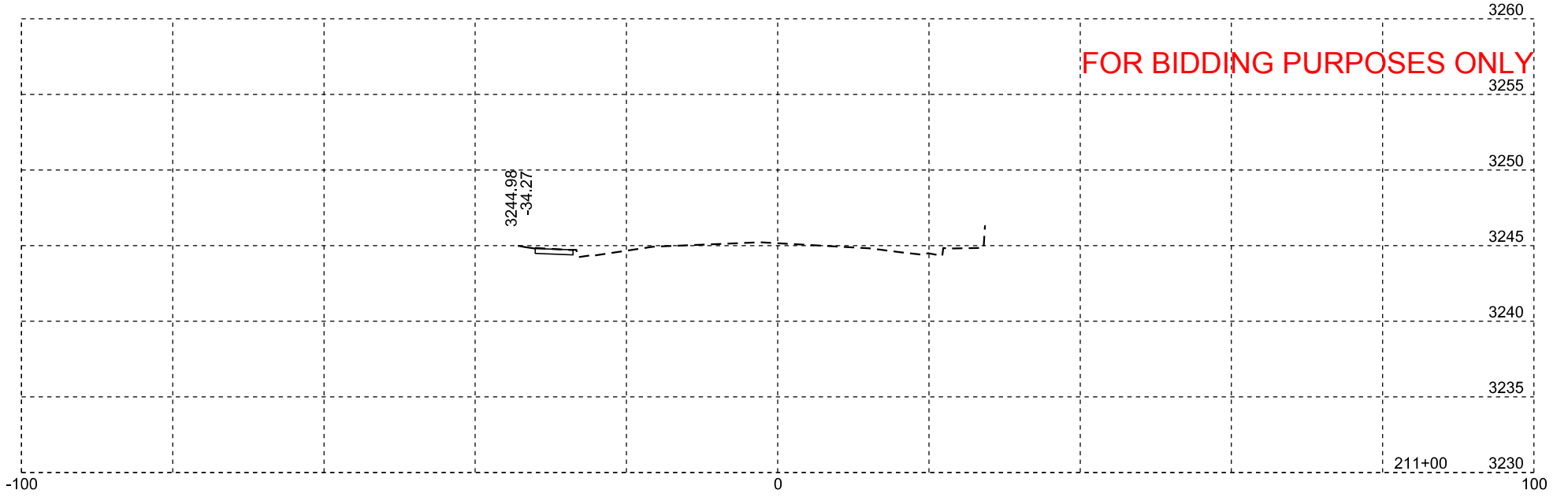


Rev. 8/2/2024 BAF
Plotting Date: 7/31/2024

STATE OF SOUTH DAKOTA	PROJECT	SHEET NO.	TOTAL SHEETS
	NH-CR-EM 0018(195)103 P 0407(05)01		



FOR BIDDING PURPOSES ONLY

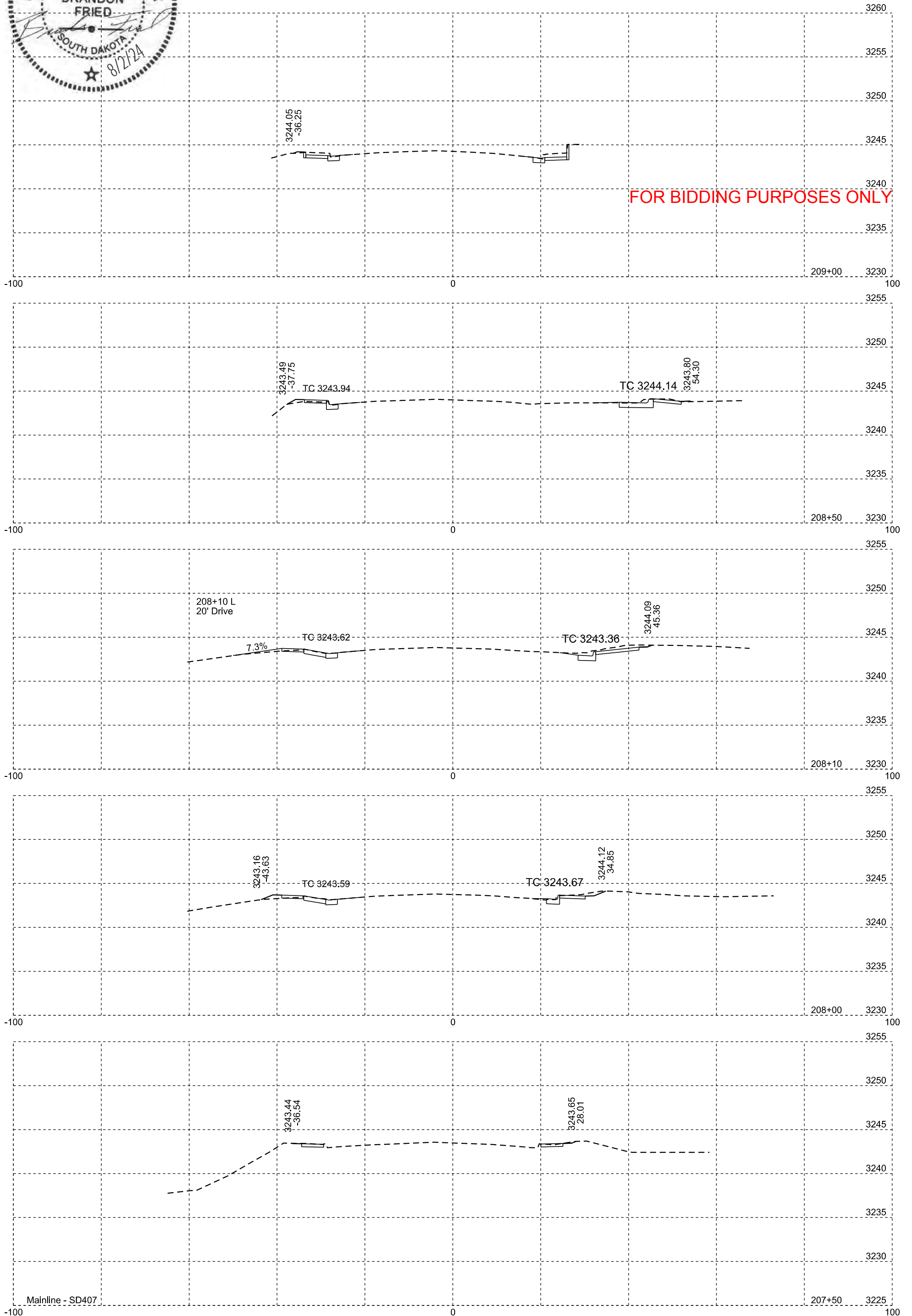


Mainline - SD407



Rev. 8/2/2024 BAF
Plotting Date: 7/31/2024

STATE OF SOUTH DAKOTA	PROJECT	SHEET NO.	TOTAL SHEETS
	NH-CR-EM 0018(195)103 P 0407(05)01		



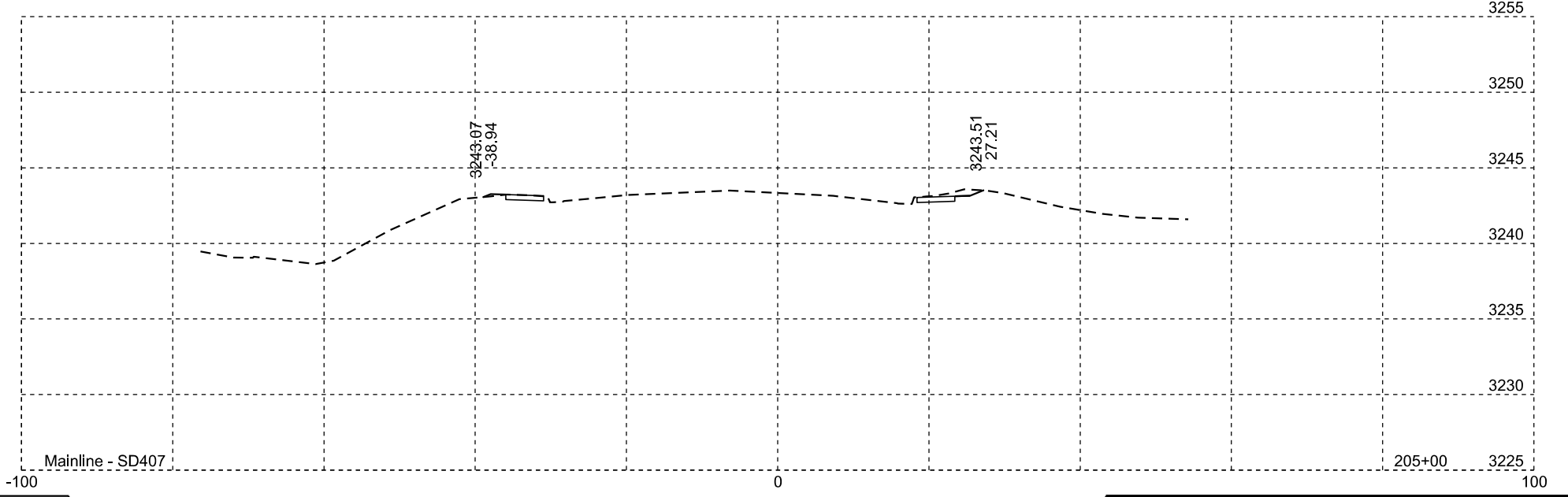
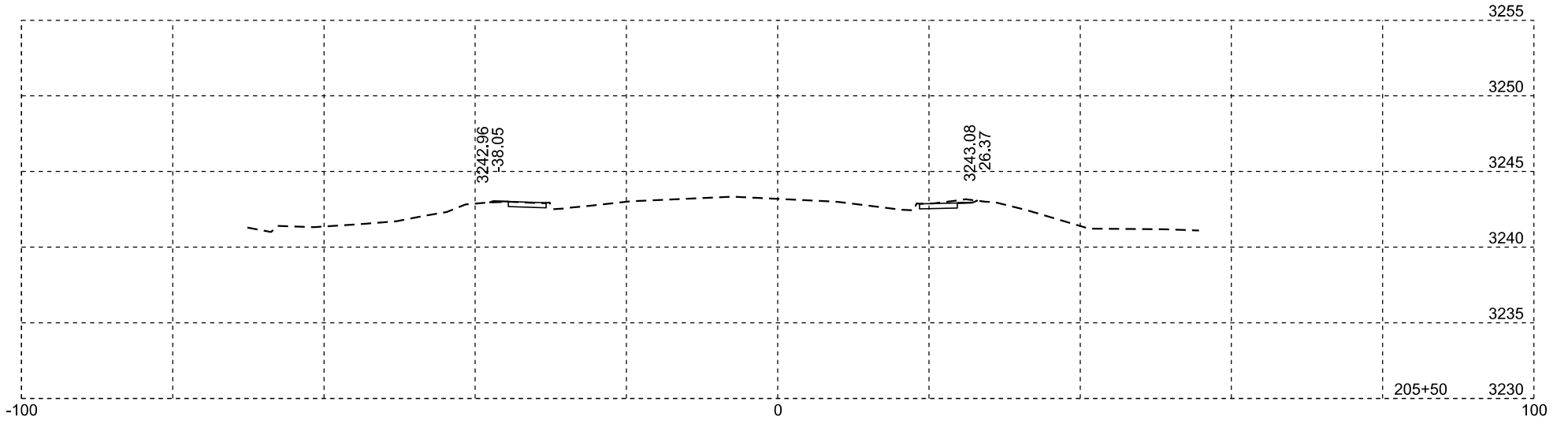
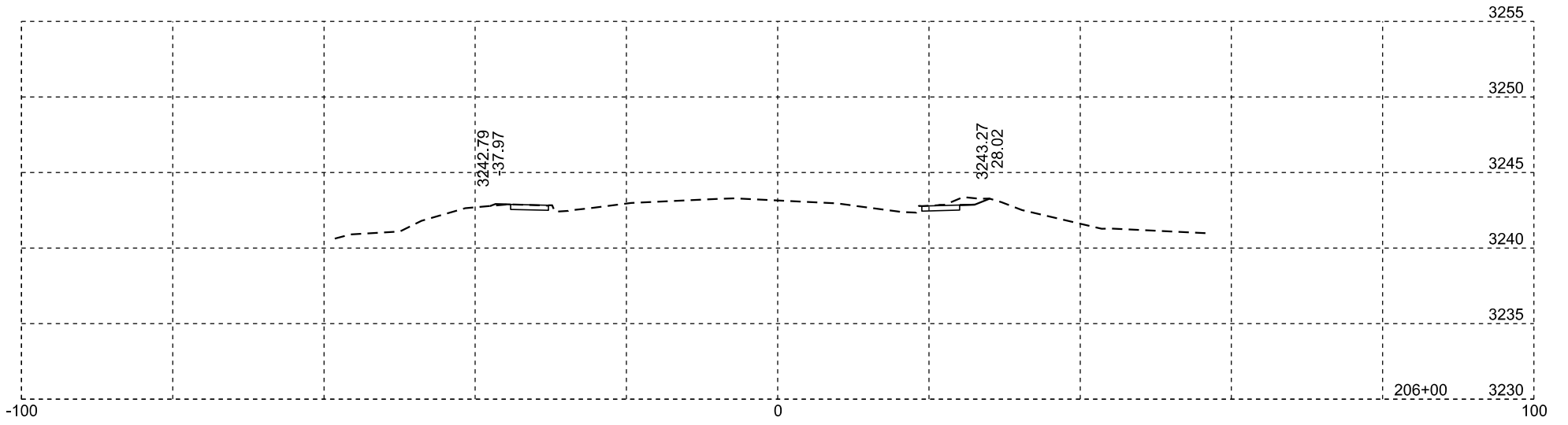
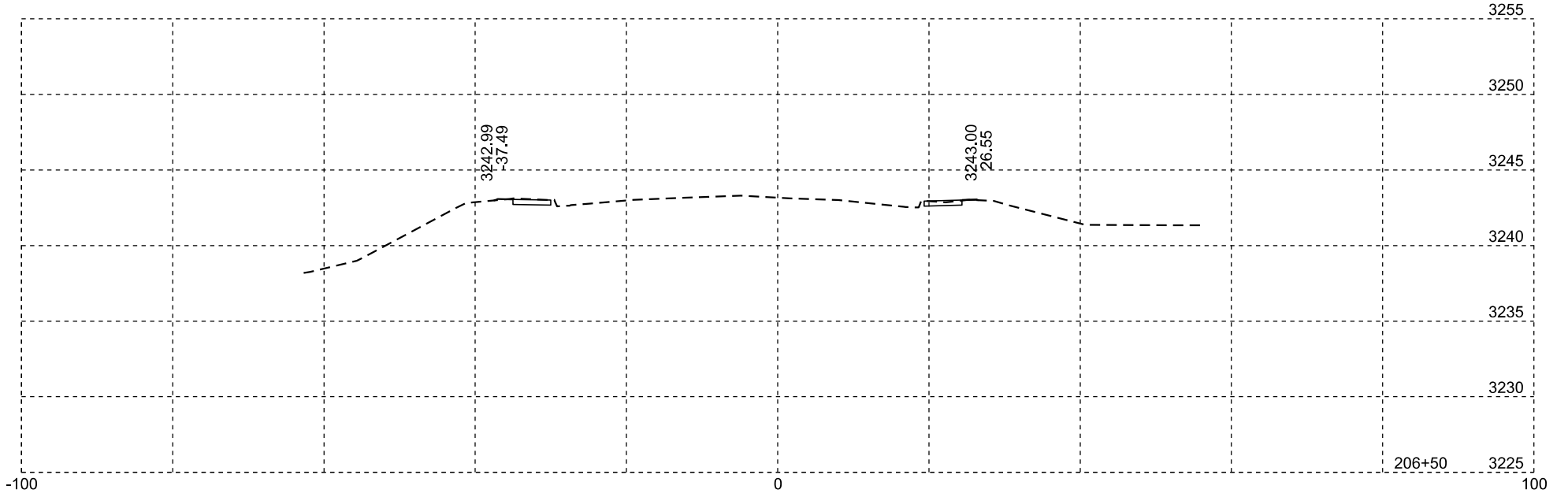
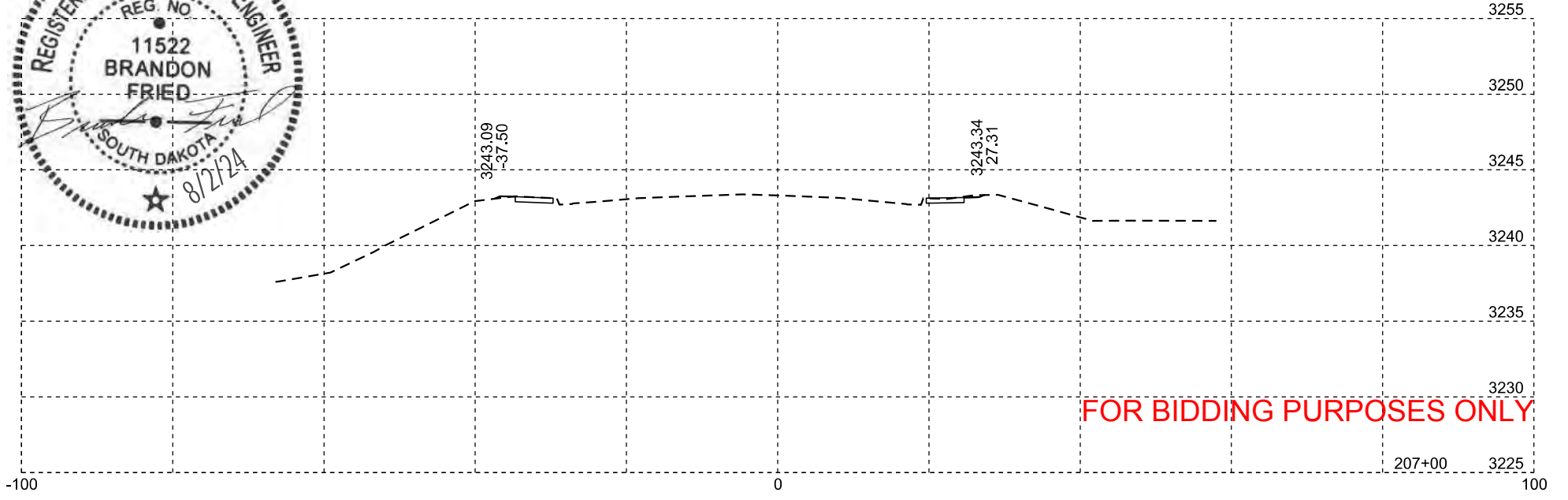
FOR BIDDING PURPOSES ONLY

Mainline - SD407



Rev. 8/2/2024 BAF
Plotting Date: 7/31/2024

STATE OF SOUTH DAKOTA	PROJECT	SHEET NO.	TOTAL SHEETS
	NH-CR-EM 0018(195)103 P 0407(05)01	X40	X56

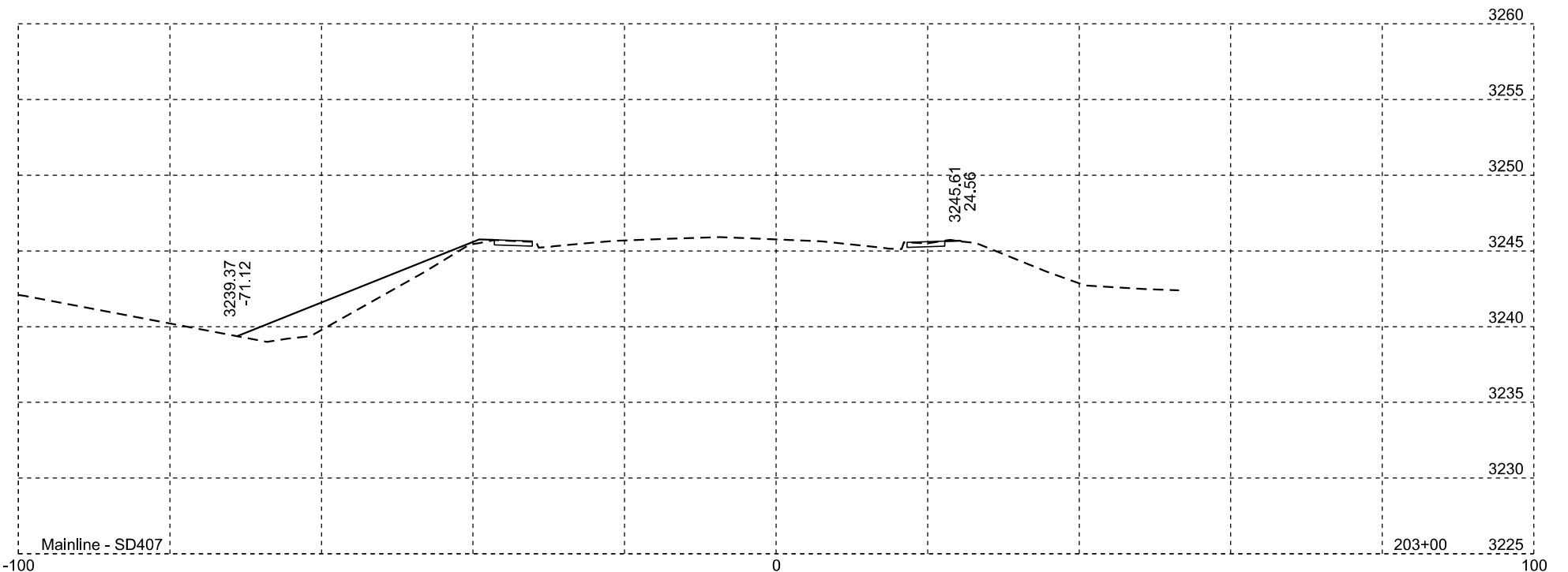
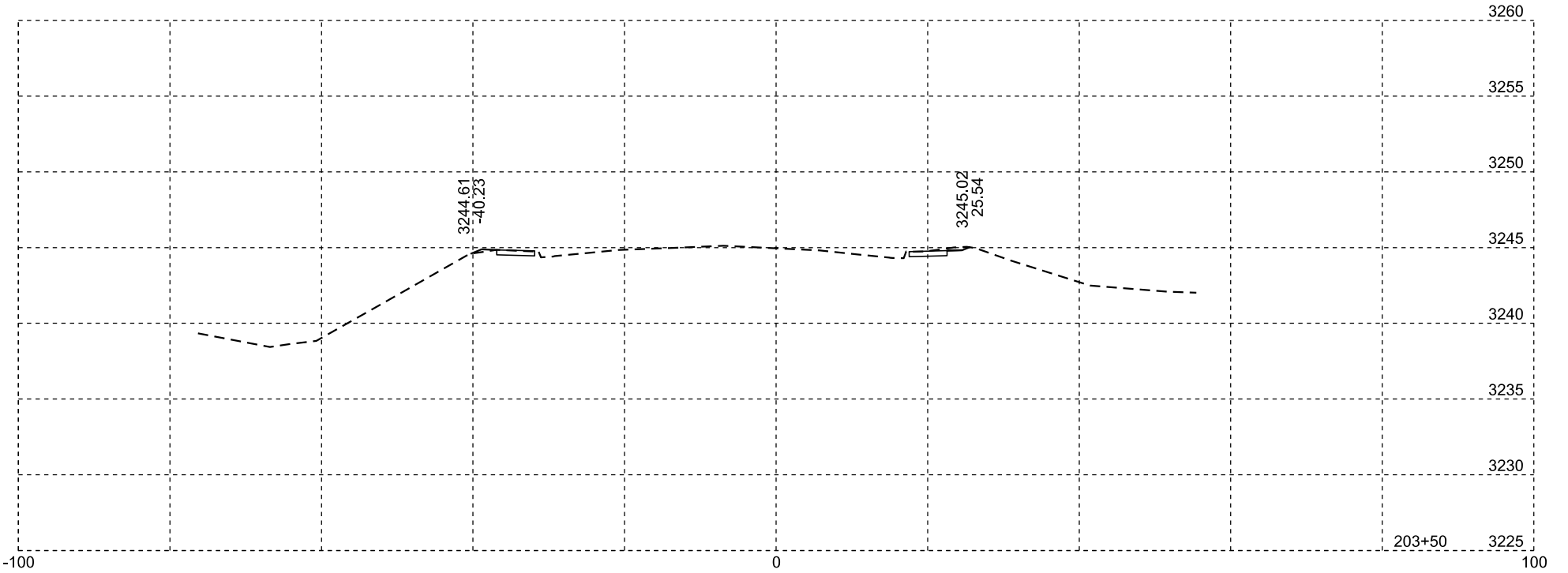
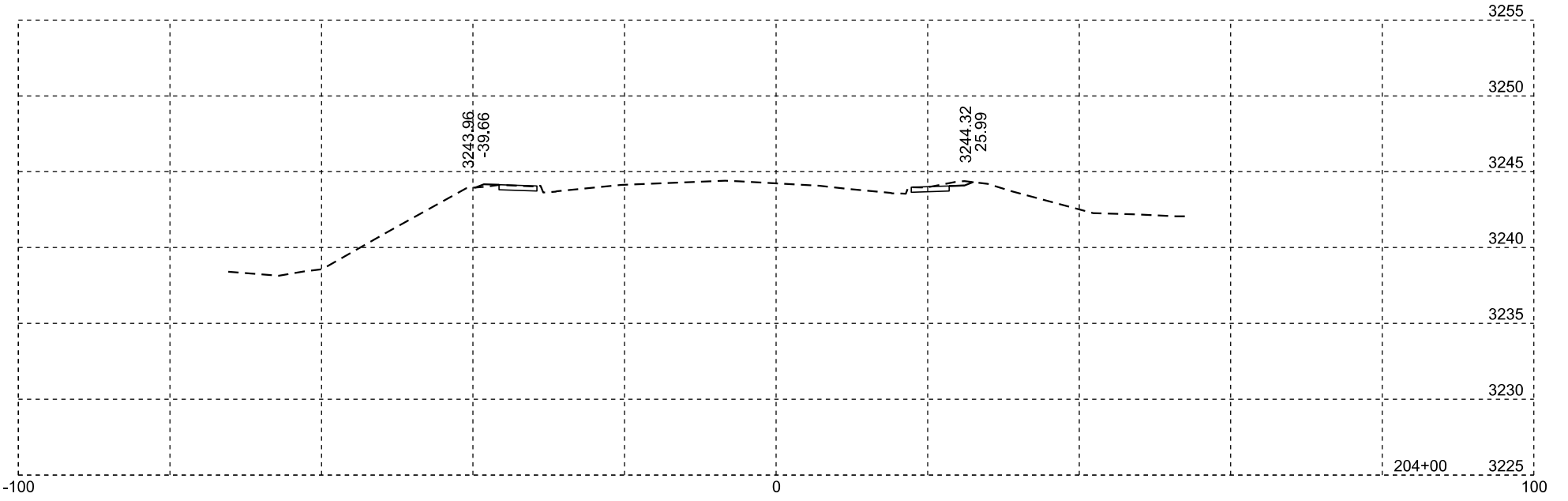
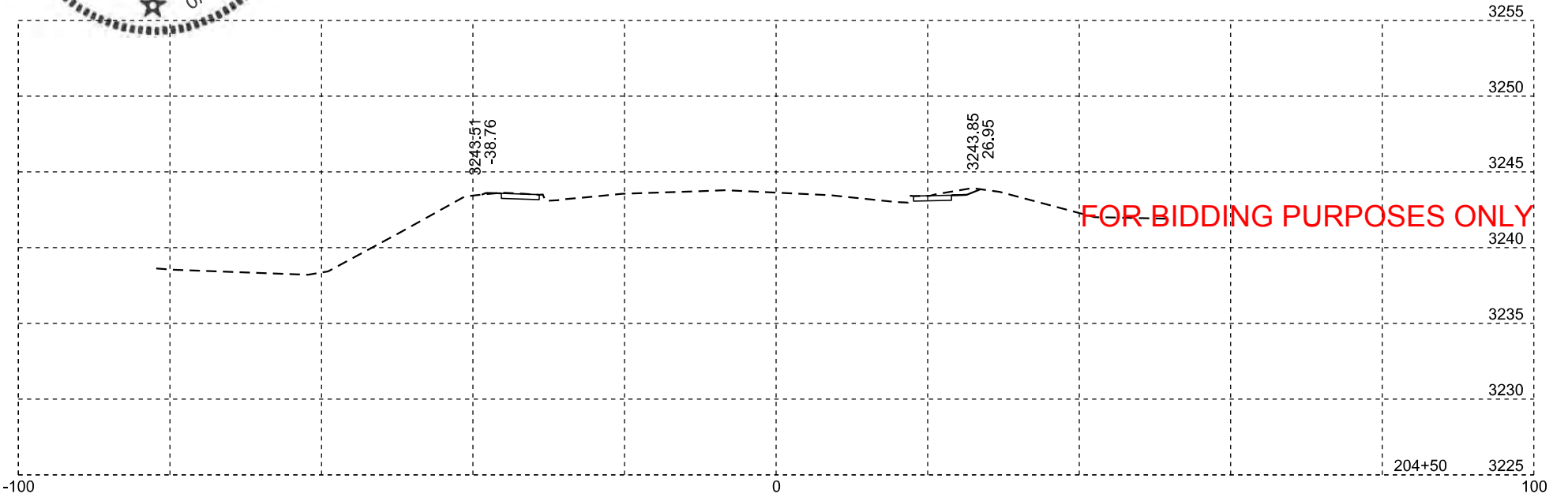
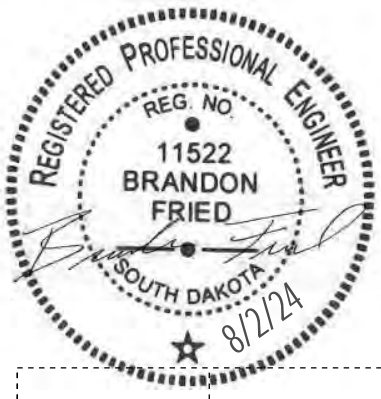


Mainline - SD407



Rev. 8/2/2024 BAF
Plotting Date: 7/31/2024

STATE OF SOUTH DAKOTA	PROJECT	SHEET NO.	TOTAL SHEETS
	NH-CR-EM 0018(195)103 P 0407(05)01	X41	X56



Mainline - SD407

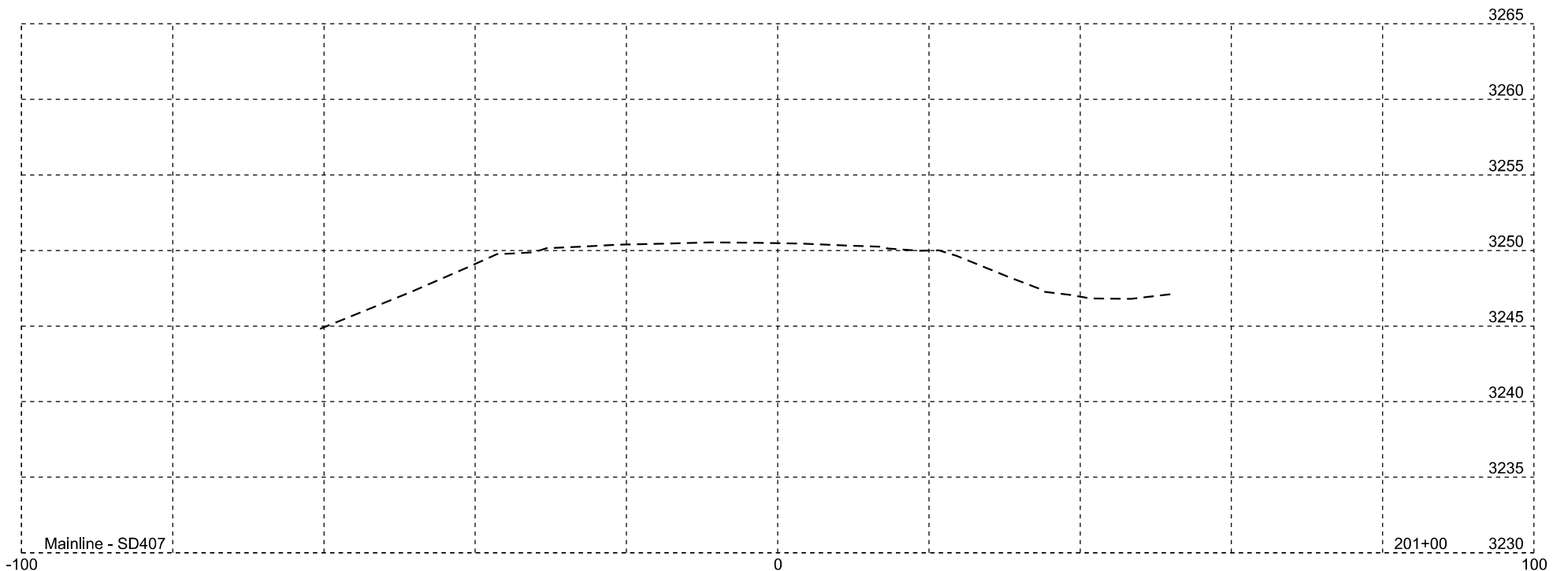
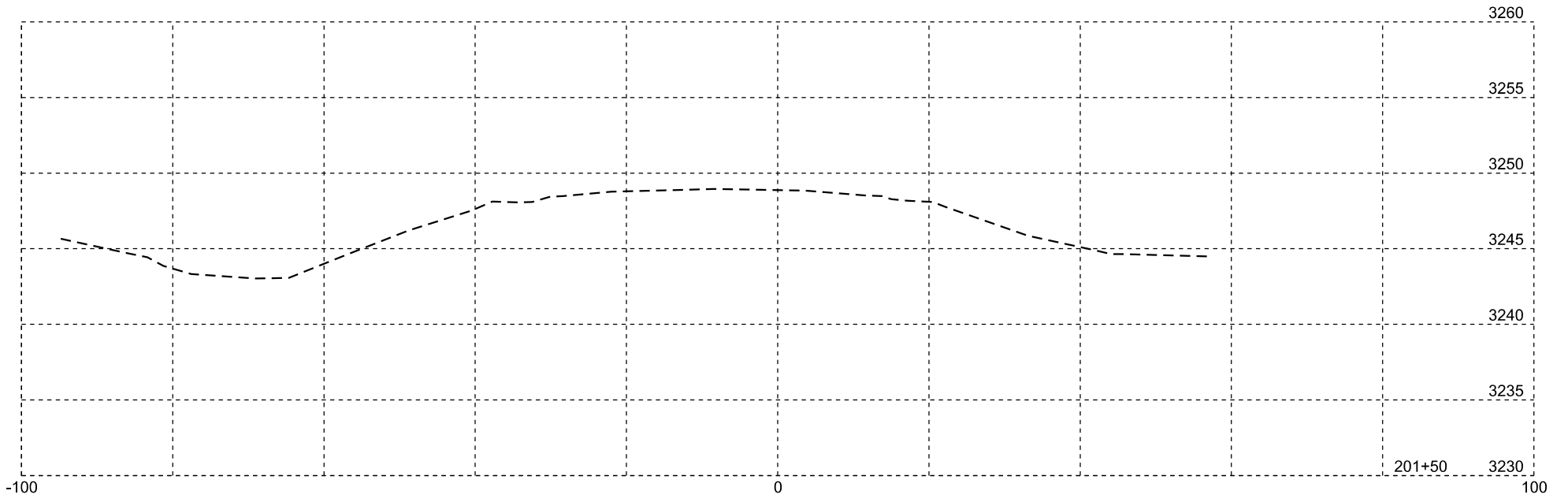
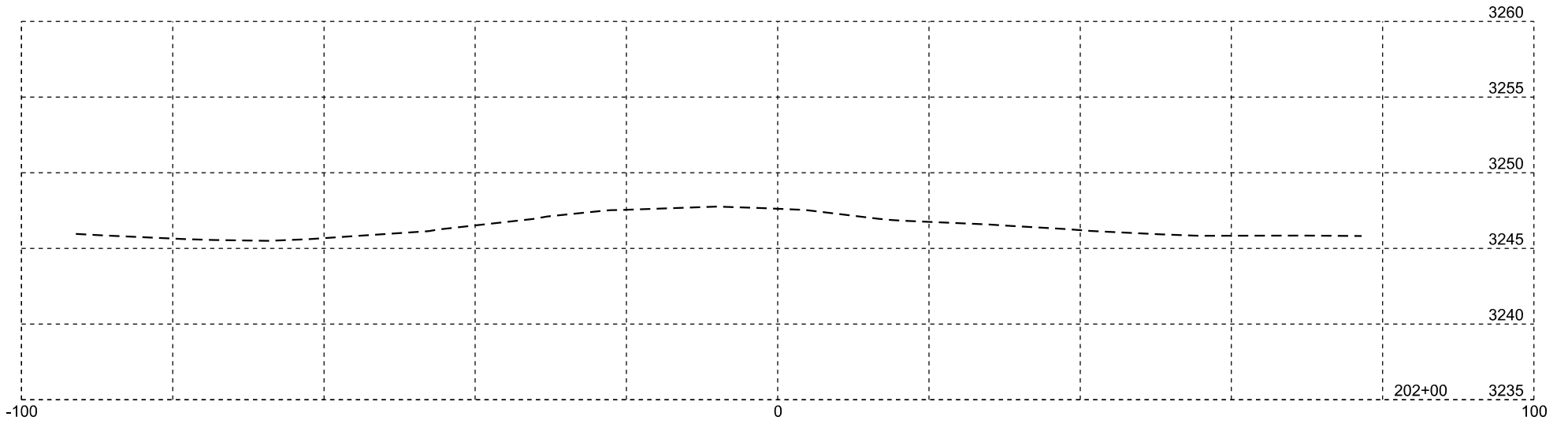
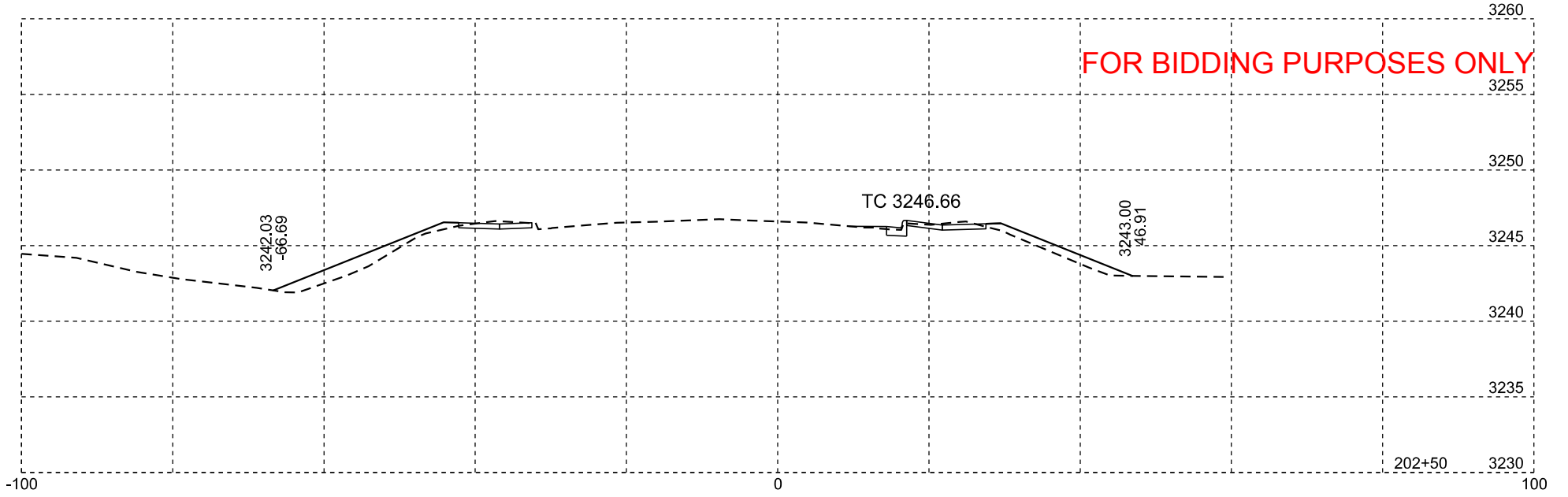


Rev. 8/2/2024 BAF
Plotting Date: 7/31/2024

STATE OF SOUTH DAKOTA	PROJECT	SHEET NO.	TOTAL SHEETS
	NH-CR-EM 0018(195)103 P 0407(05)01		



FOR BIDDING PURPOSES ONLY



Mainline - SD407

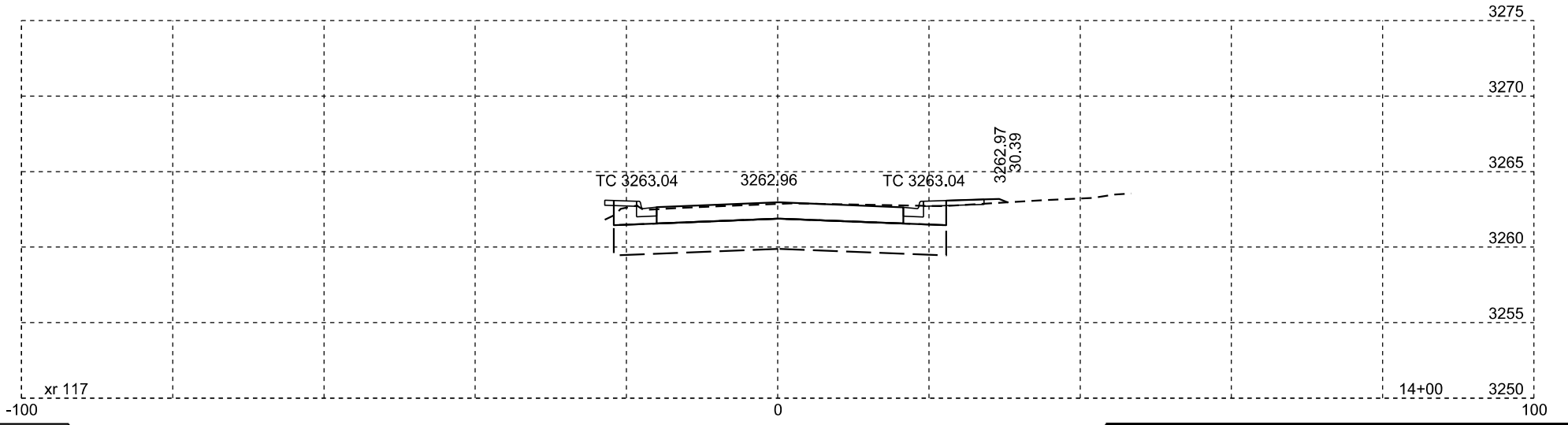
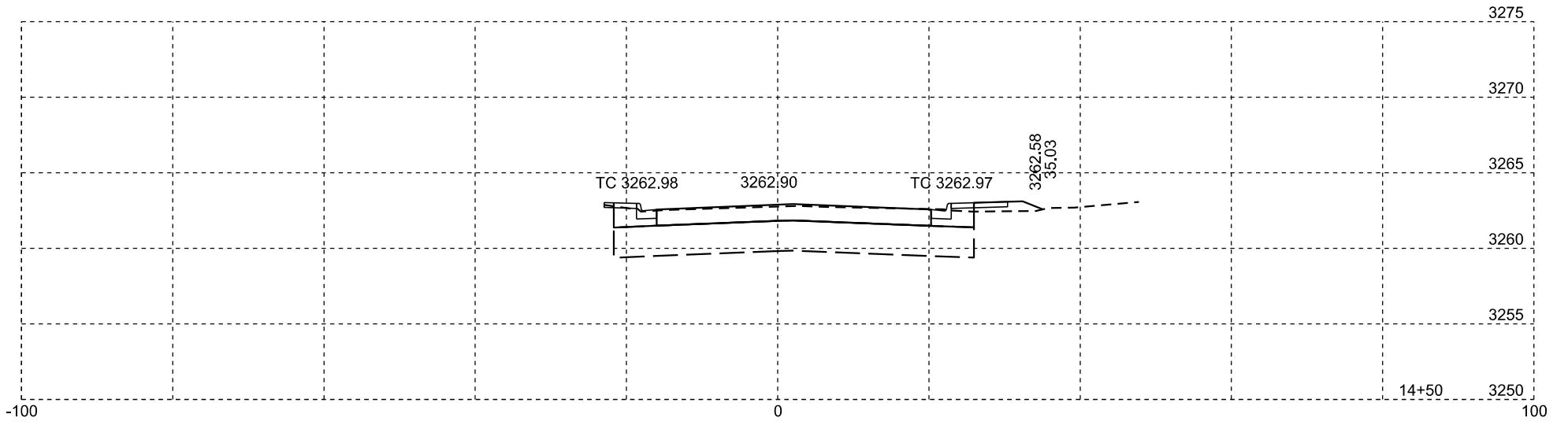
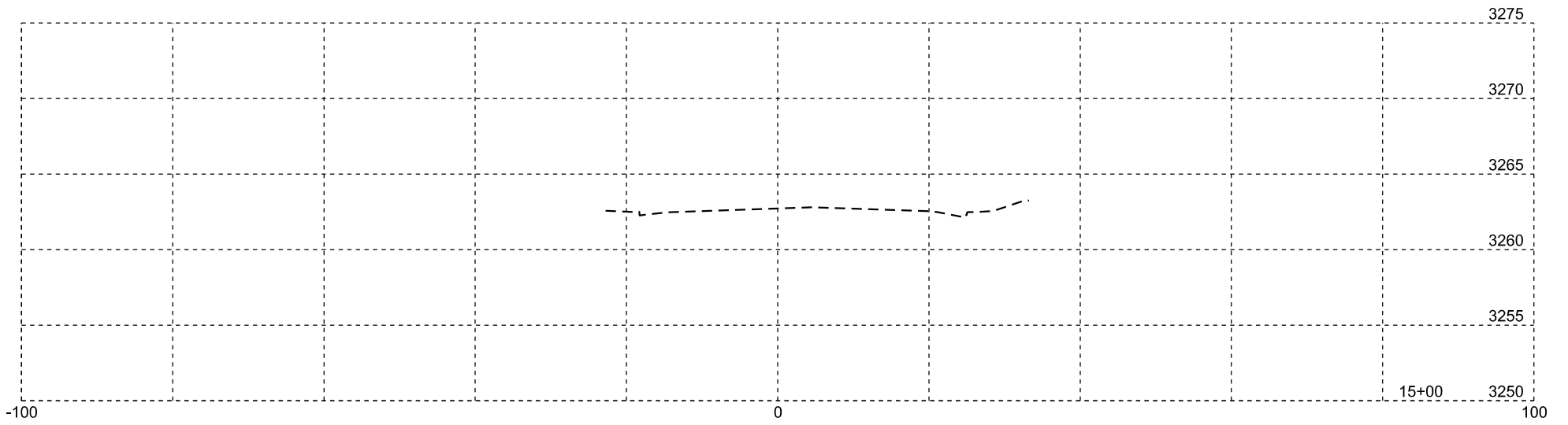
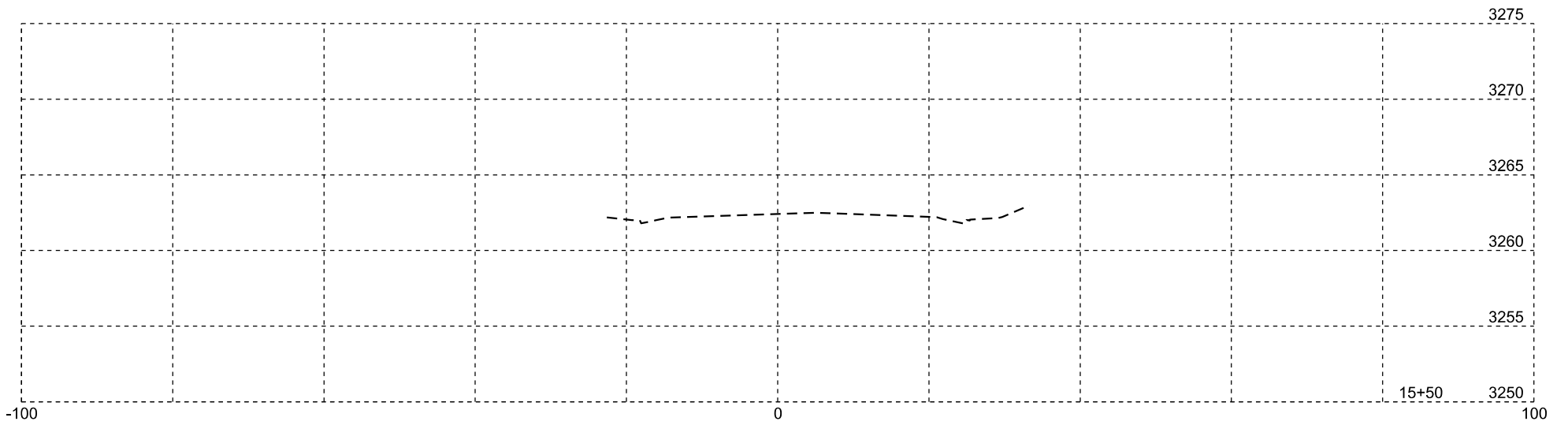


Rev. 8/2/2024 BAF
Plotting Date: 7/31/2024

STATE OF SOUTH DAKOTA	PROJECT	SHEET NO.	TOTAL SHEETS
	NH-CR-EM 0018(195)103 P 0407(05)01		



FOR BIDDING PURPOSES ONLY

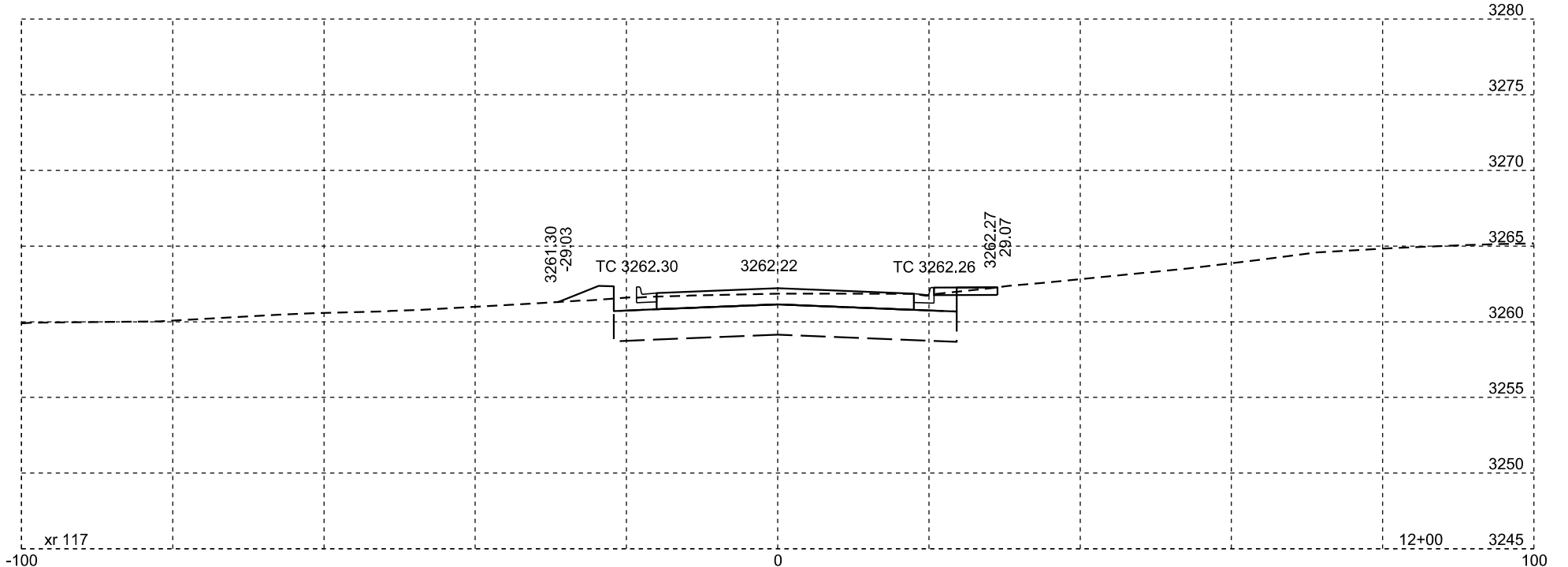
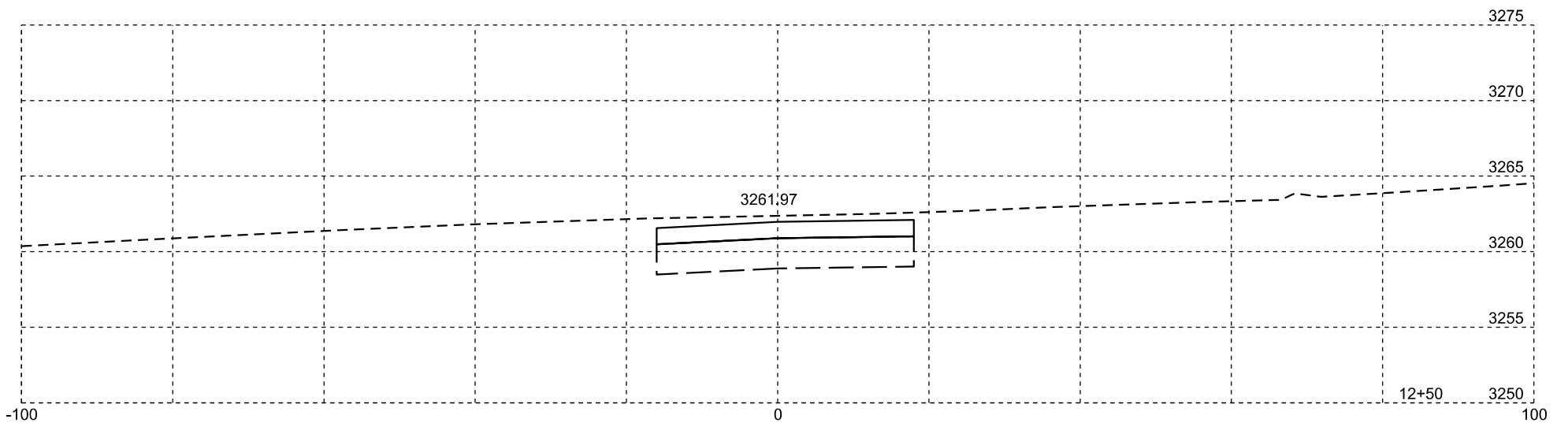
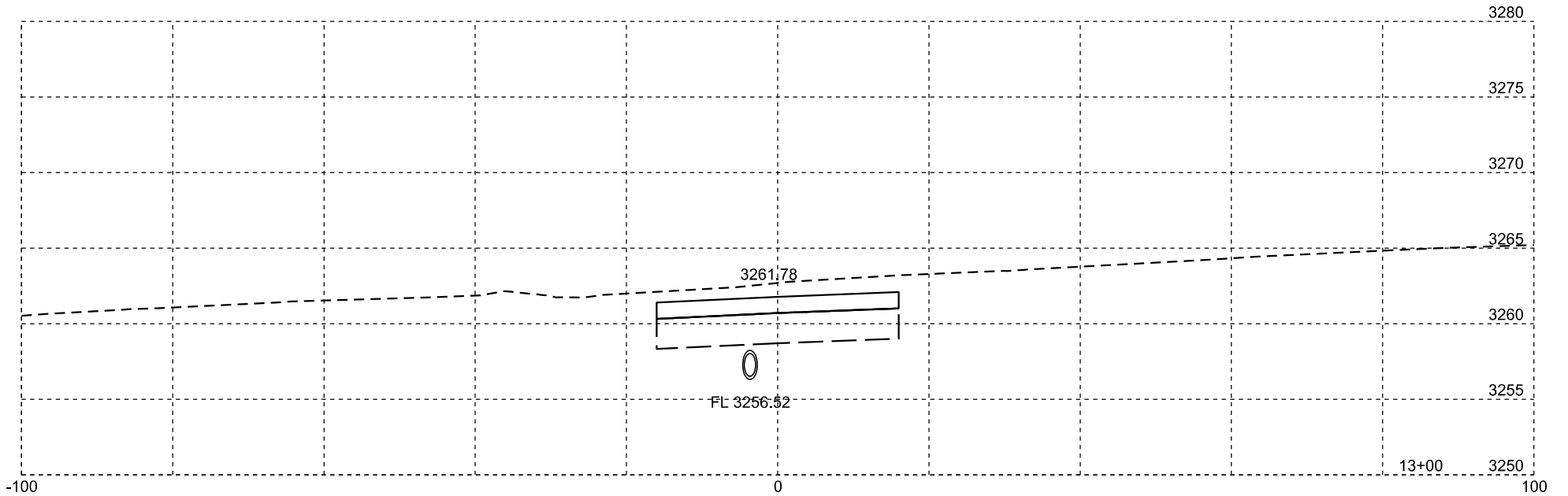
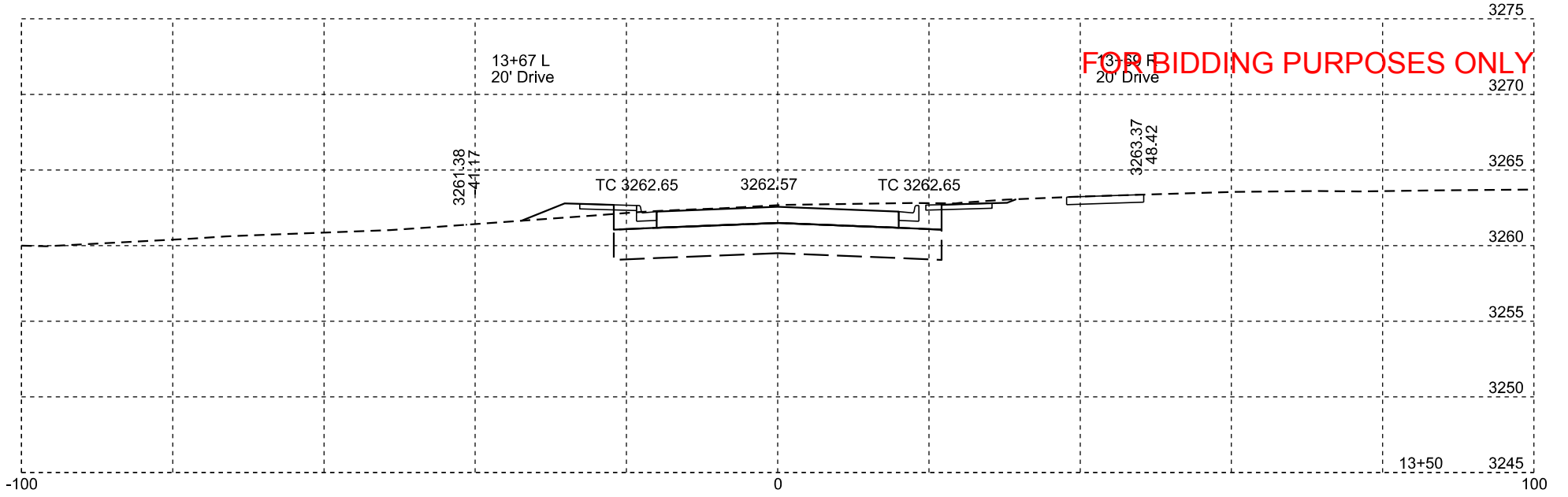


xr 117



Rev. 8/2/2024 BAF
Plotting Date: 7/31/2024

STATE OF SOUTH DAKOTA	PROJECT	SHEET NO.	TOTAL SHEETS
	NH-CR-EM 0018(195)103 P 0407(05)01		

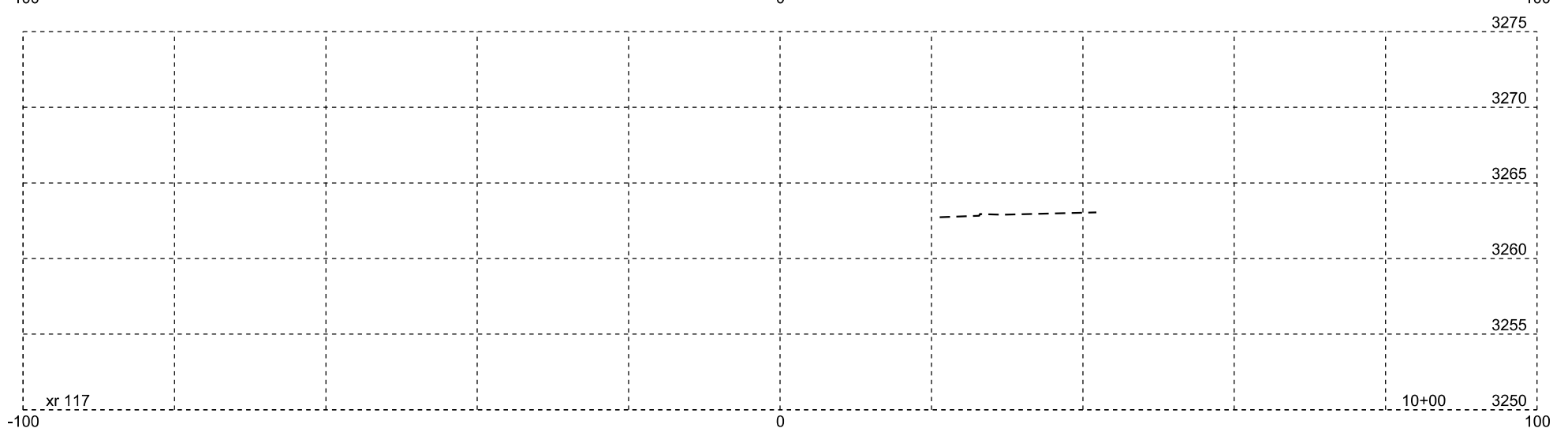
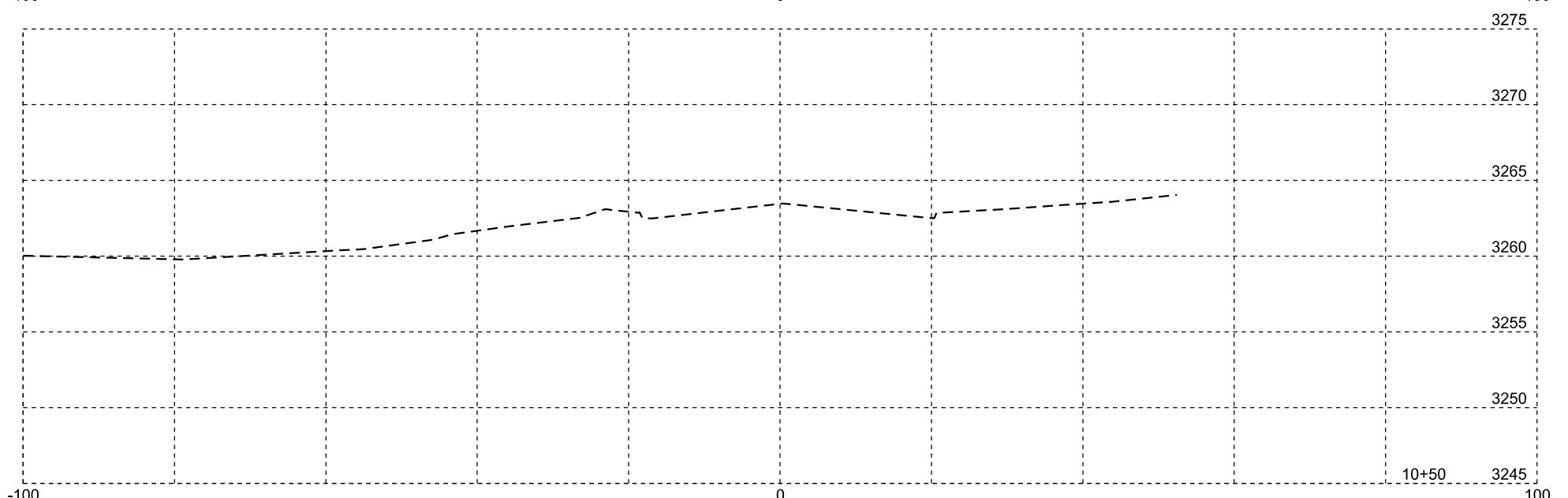
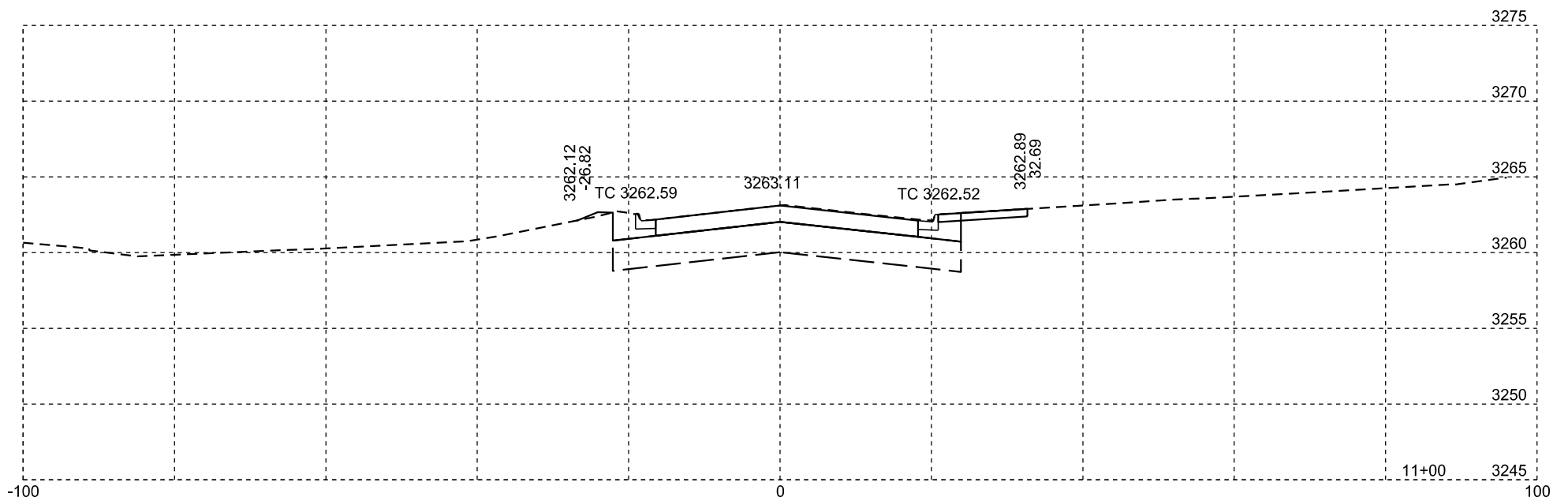
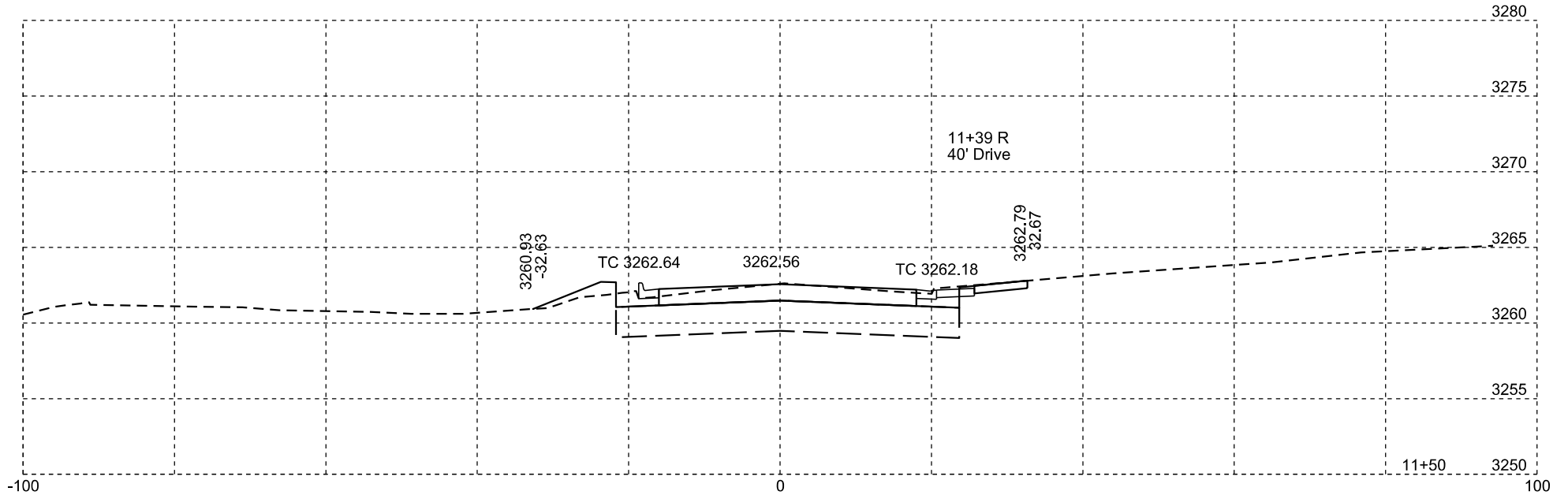


Rev. 8/2/2024 BAF
Plotting Date: 7/31/2024

STATE OF SOUTH DAKOTA	PROJECT	SHEET NO.	TOTAL SHEETS
	NH-CR-EM 0018(195)103 P 0407(05)01		



FOR BIDDING PURPOSES ONLY



Rev. 8/2/2024 BAF
Plotting Date: 7/31/2024

STATE OF SOUTH DAKOTA	PROJECT	SHEET NO.	TOTAL SHEETS
	NH-CR-EM 0018(195)103 P 0407(05)01		

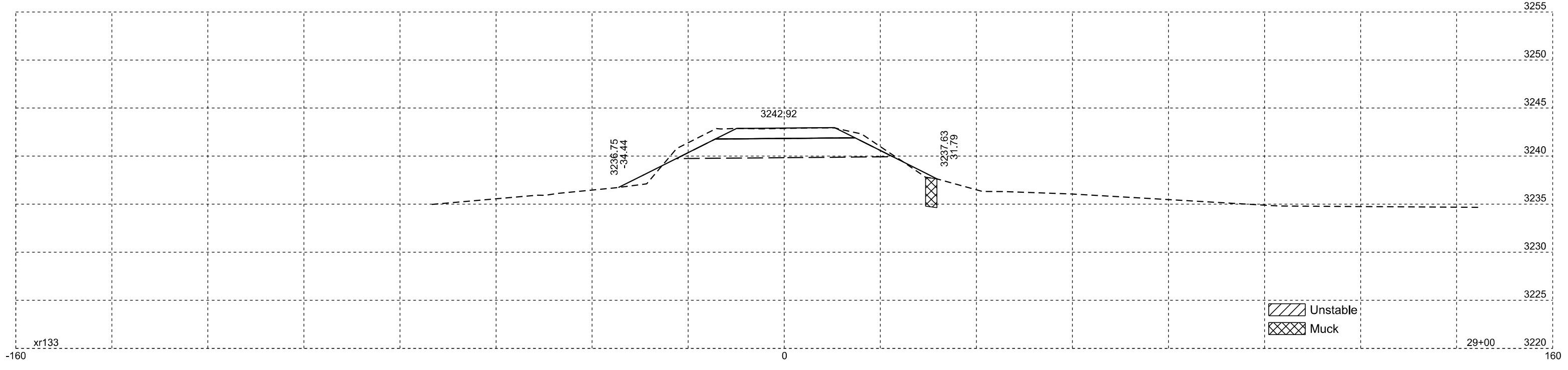
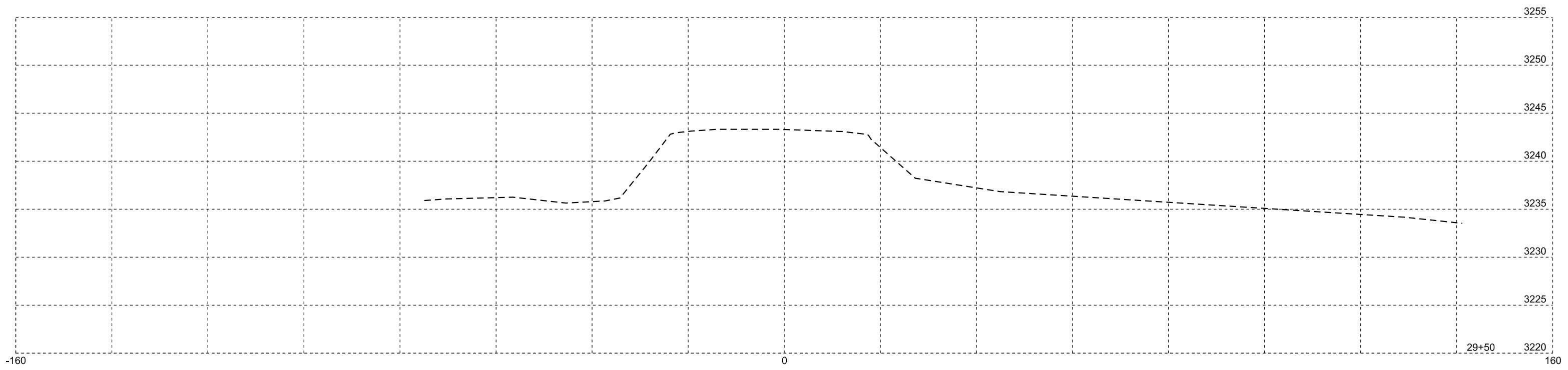


Plotting Date: 7/31/2024

FOR BIDDING PURPOSES ONLY

STATE OF SOUTH DAKOTA	PROJECT	SHEET	TOTAL SHEETS
	NH-CR-EM 0018(195)103 P 0407(05)01	X47	X56

Rev. 8/2/2024 BAF



xr133

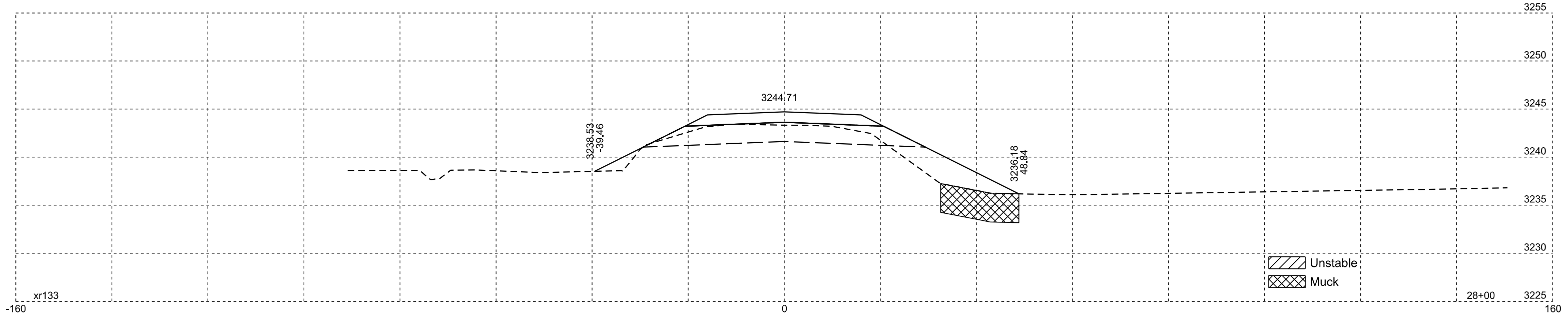
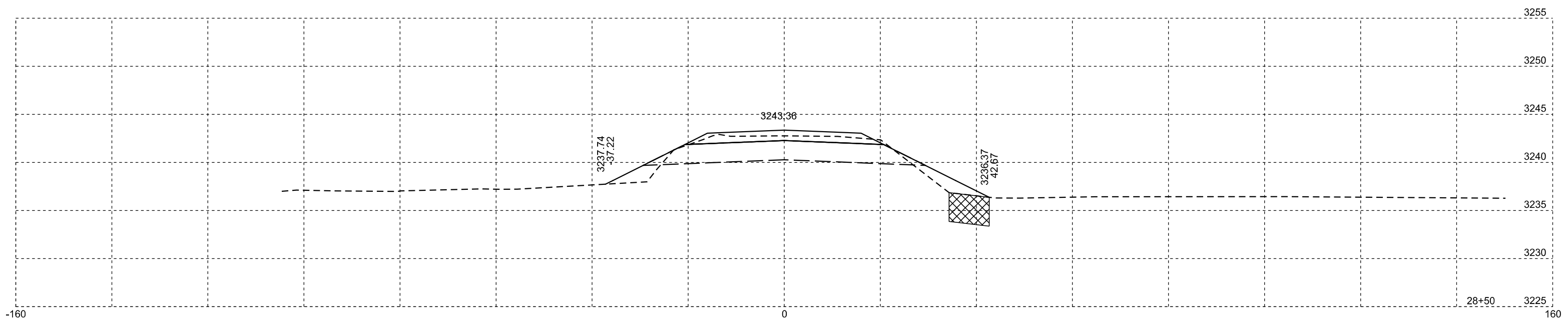


Plotting Date: 7/31/2024

FOR BIDDING PURPOSES ONLY

STATE OF SOUTH DAKOTA	PROJECT	SHEET	TOTAL SHEETS
	NH-CR-EM 0018(195)103 P 0407(05)01	X48	X56

Rev. 8/2/2024 BAF



Unstable
Muck

xr133

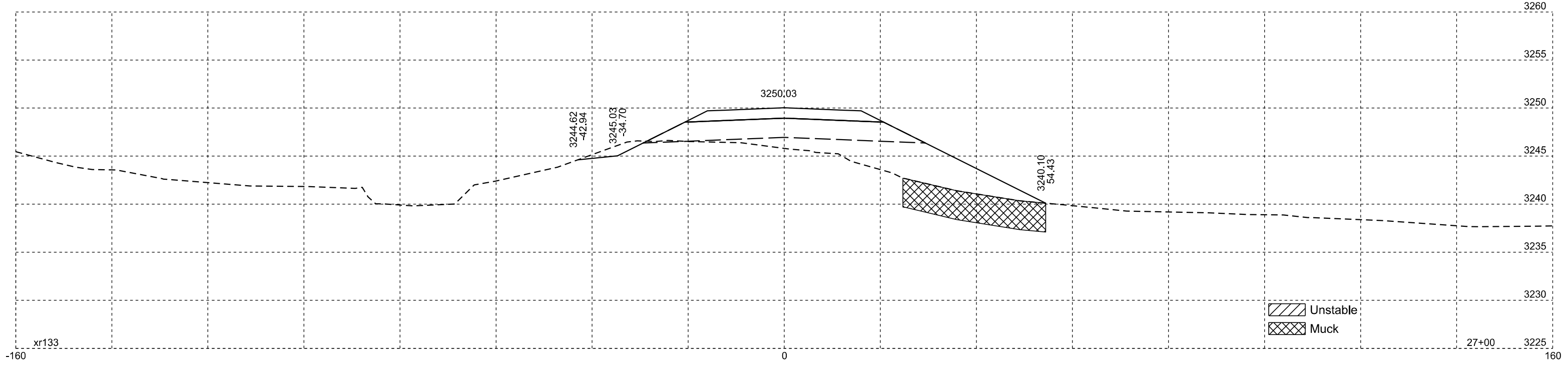
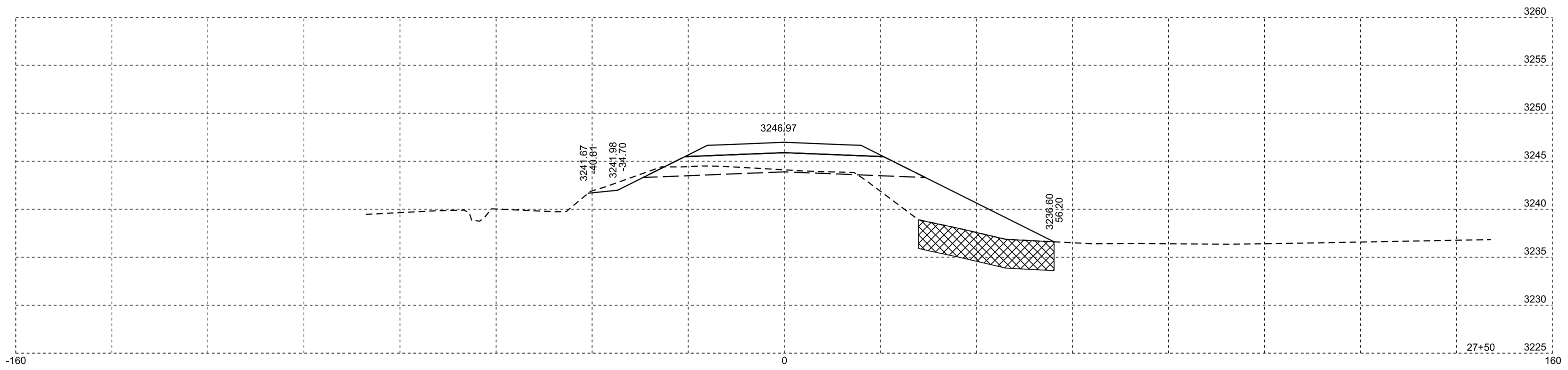


Plotting Date: 7/31/2024

FOR BIDDING PURPOSES ONLY

STATE OF SOUTH DAKOTA	PROJECT	SHEET	TOTAL SHEETS
	NH-CR-EM 0018(195)103 P 0407(05)01	X49	X56

Rev. 8/2/2024 BAF



Unstable
Muck

xr133

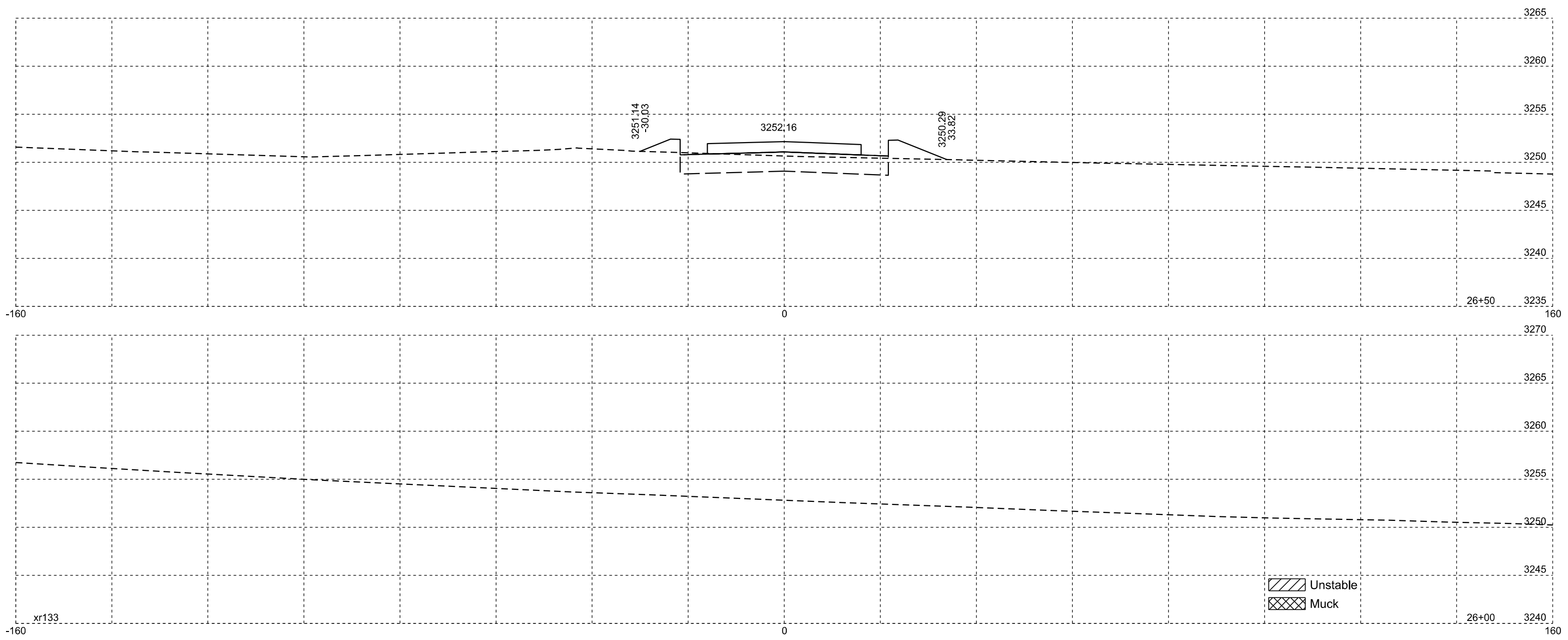


Plotting Date: 7/31/2024

FOR BIDDING PURPOSES ONLY

STATE OF SOUTH DAKOTA	PROJECT	SHEET	TOTAL SHEETS
	NH-CR-EM 0018(195)103 P 0407(05)01	X50	X56

Rev. 8/2/2024 BAF



xr133

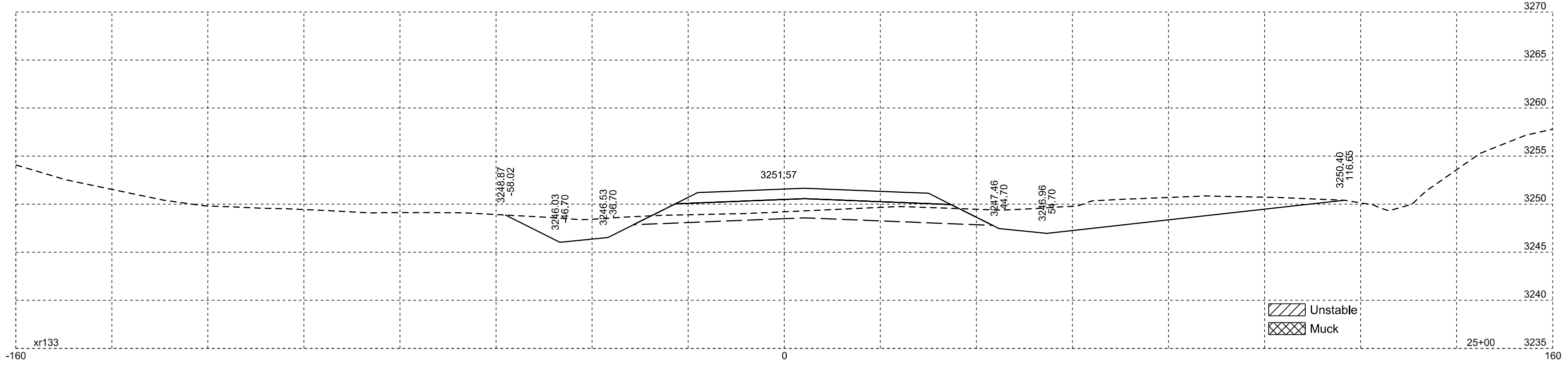
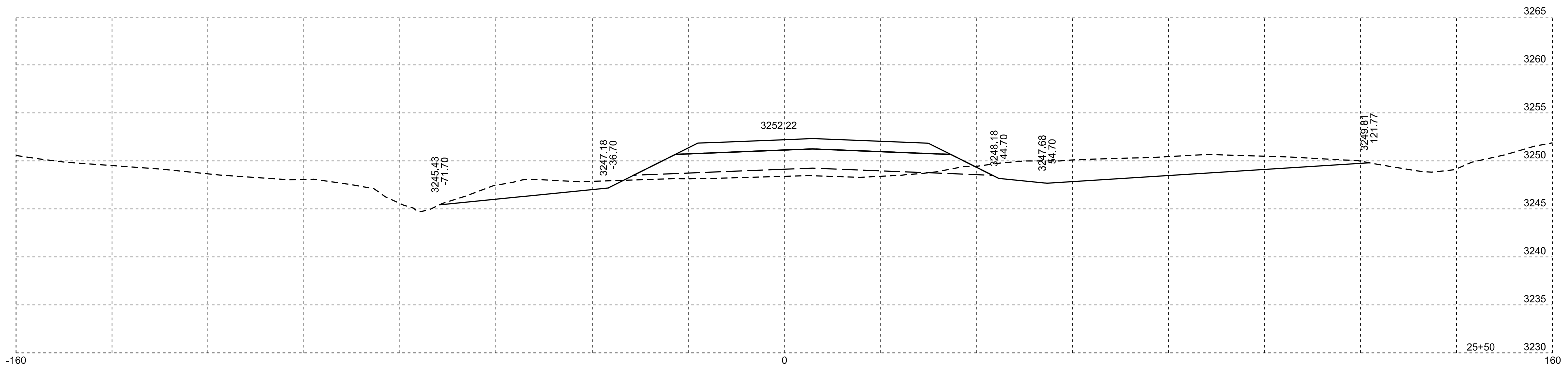


Plotting Date: 7/31/2024

FOR BIDDING PURPOSES ONLY

STATE OF SOUTH DAKOTA	PROJECT	SHEET	TOTAL SHEETS
	NH-CR-EM 0018(195)103 P 0407(05)01	X51	X56

Rev. 8/2/2024 BAF



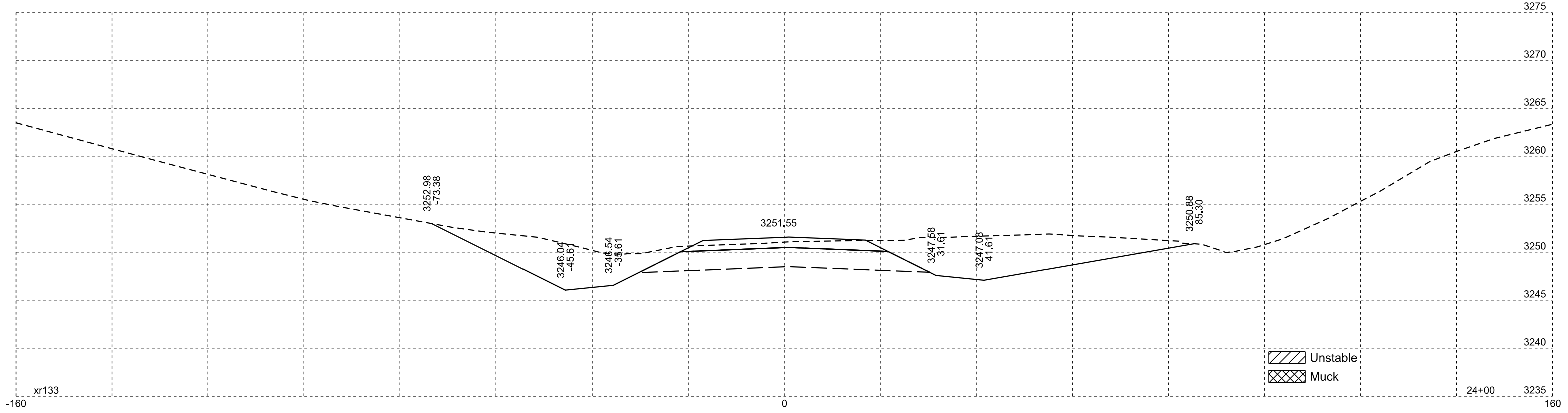
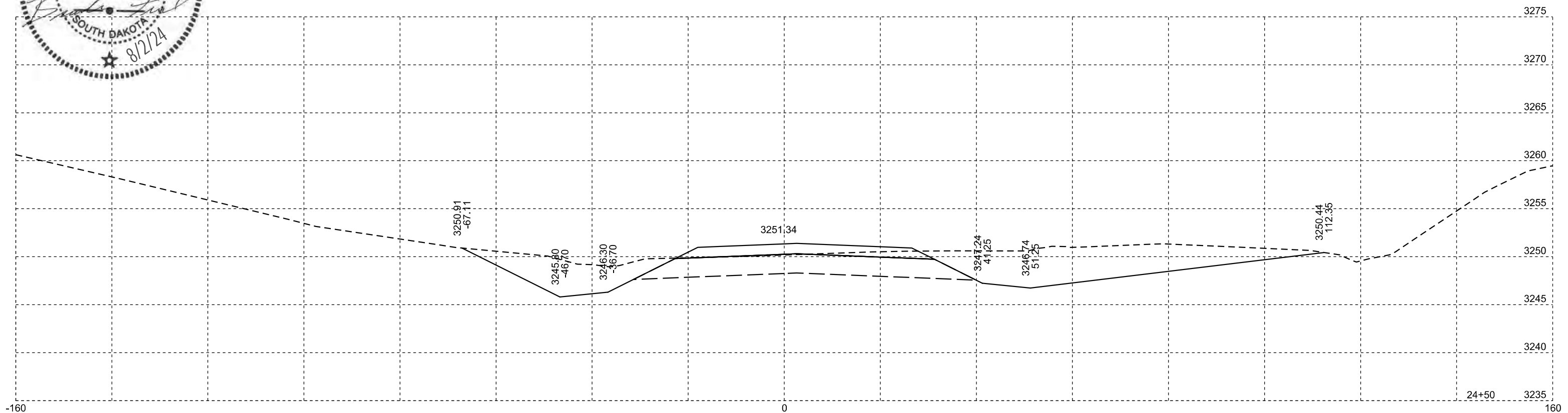
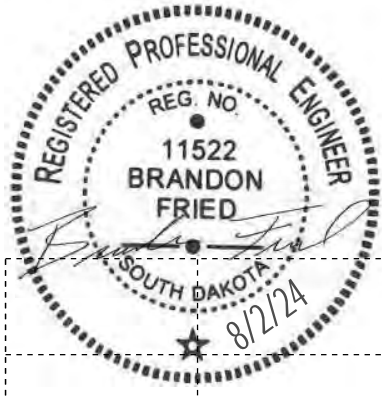


Plotting Date: 7/31/2024

FOR BIDDING PURPOSES ONLY

STATE OF SOUTH DAKOTA	PROJECT	SHEET	TOTAL SHEETS
	NH-CR-EM 0018(195)103 P 0407(05)01	X52	X56

Rev. 8/2/2024 BAF



xr133

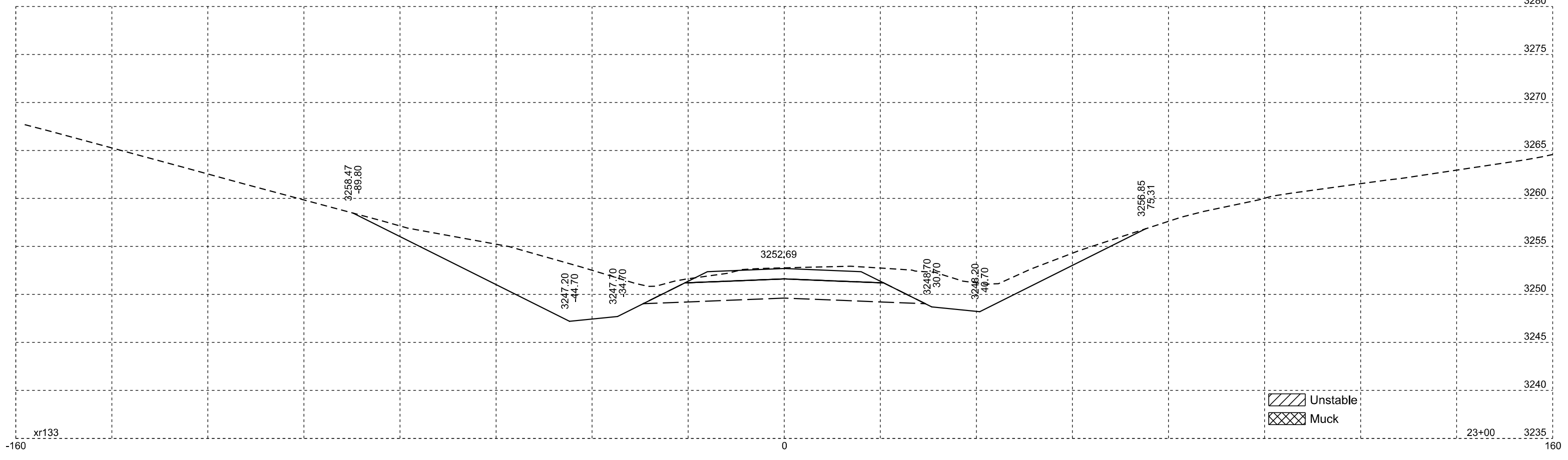
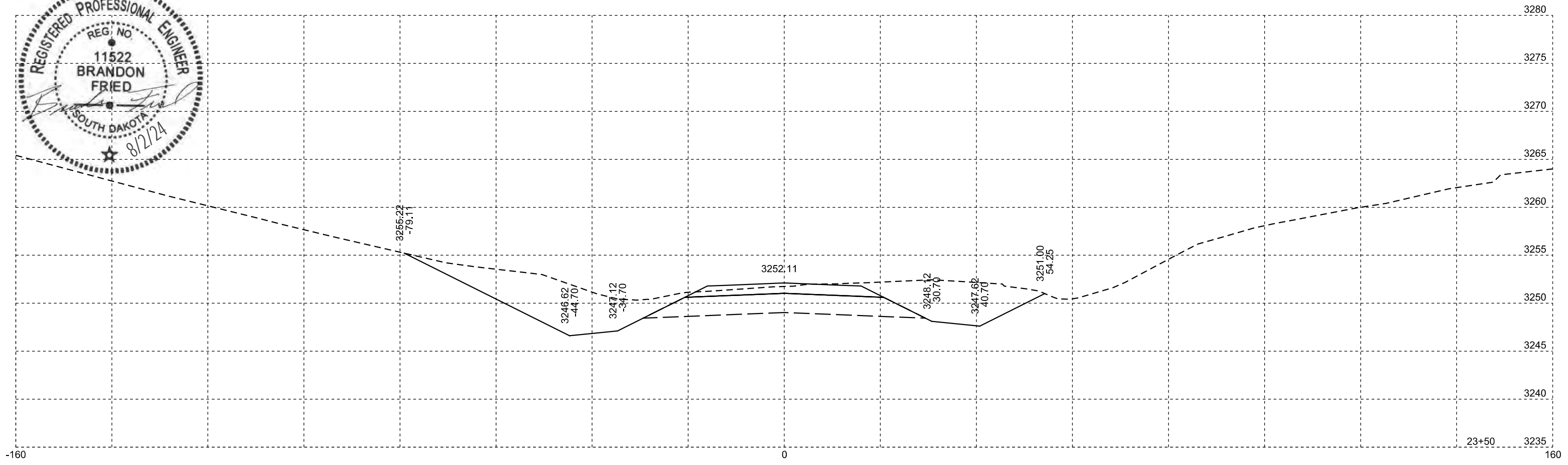
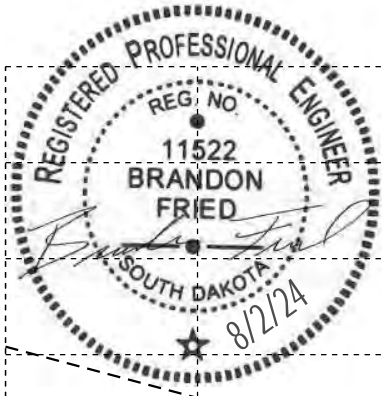


Plotting Date: 7/31/2024

FOR BIDDING PURPOSES ONLY

STATE OF SOUTH DAKOTA	PROJECT	SHEET	TOTAL SHEETS
	NH-CR-EM 0018(195)103 P 0407(05)01	X53	X56

Rev. 8/2/2024 BAF



Unstable
 Muck

xr133

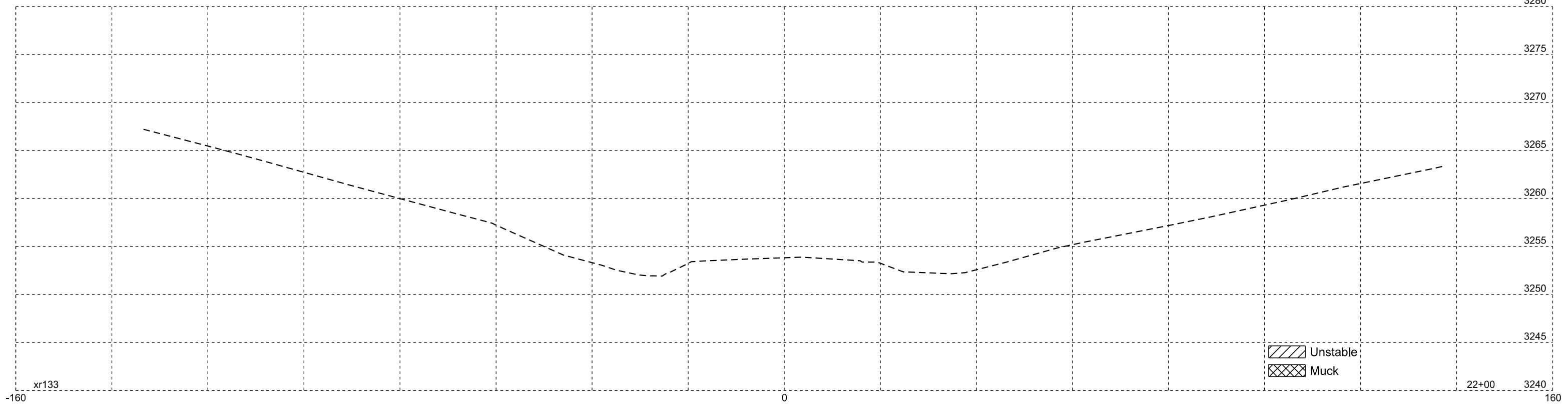
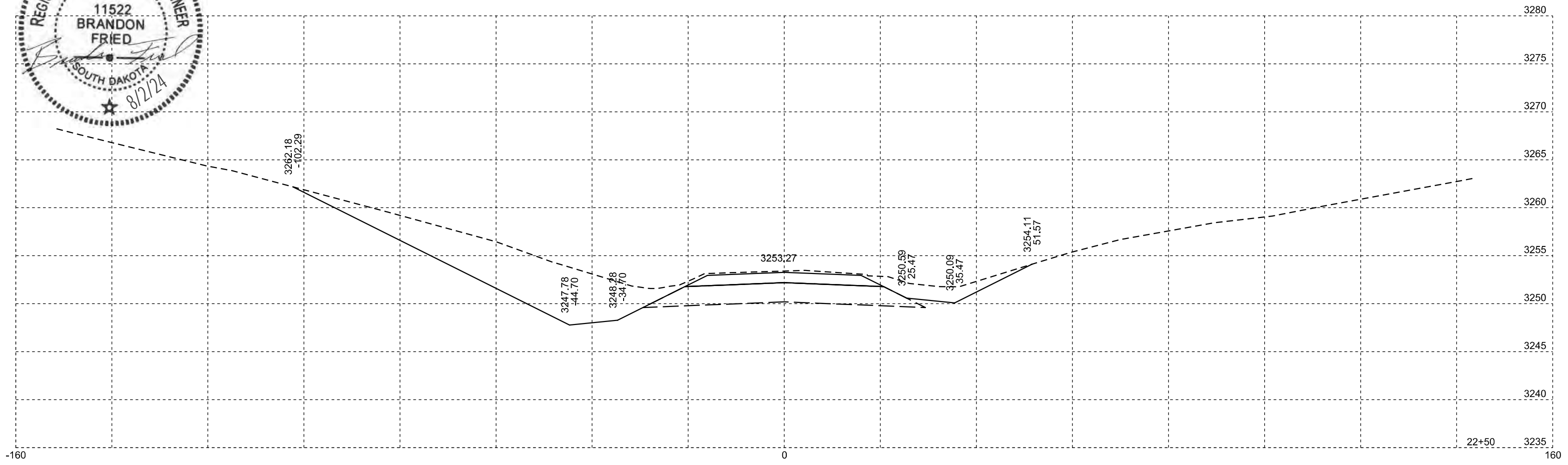
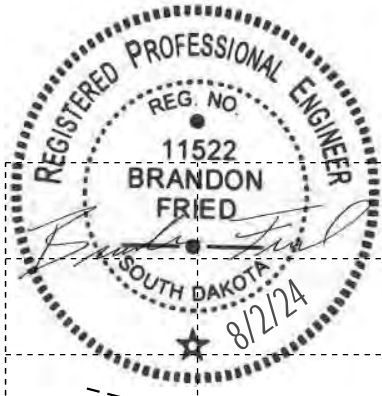


Plotting Date: 7/31/2024

FOR BIDDING PURPOSES ONLY

STATE OF SOUTH DAKOTA	PROJECT	SHEET	TOTAL SHEETS
	NH-CR-EM 0018(195)103 P 0407(05)01	X54	X56

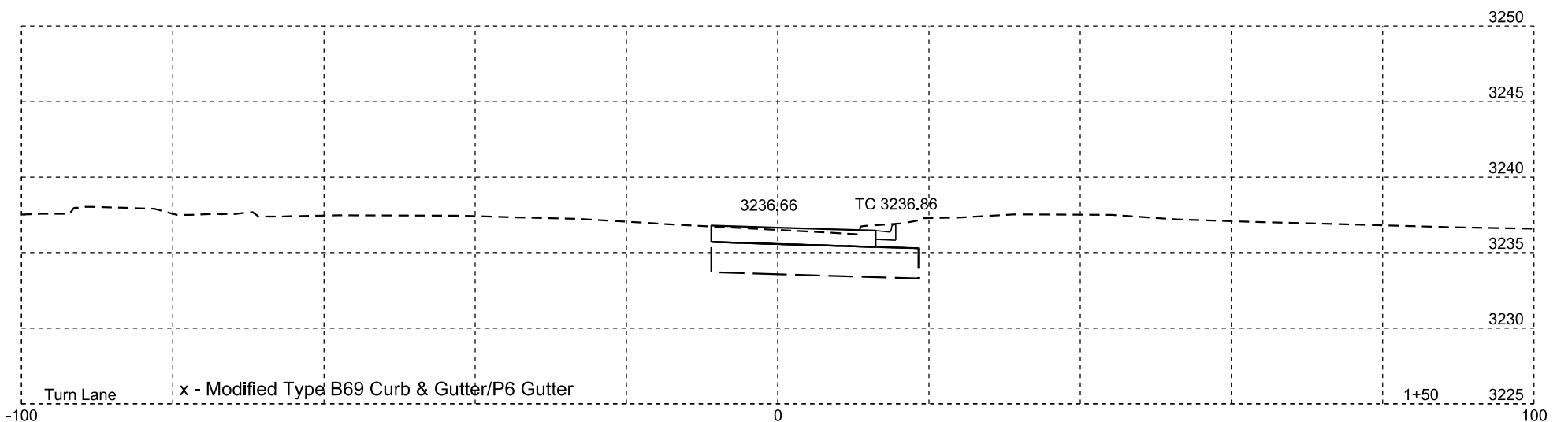
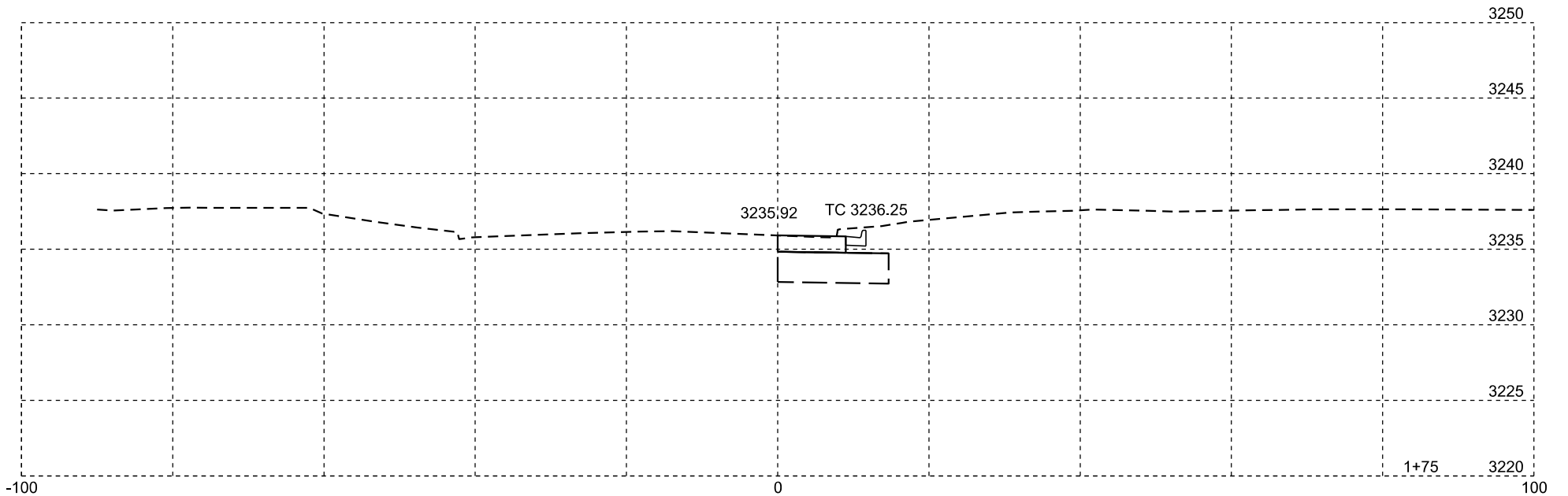
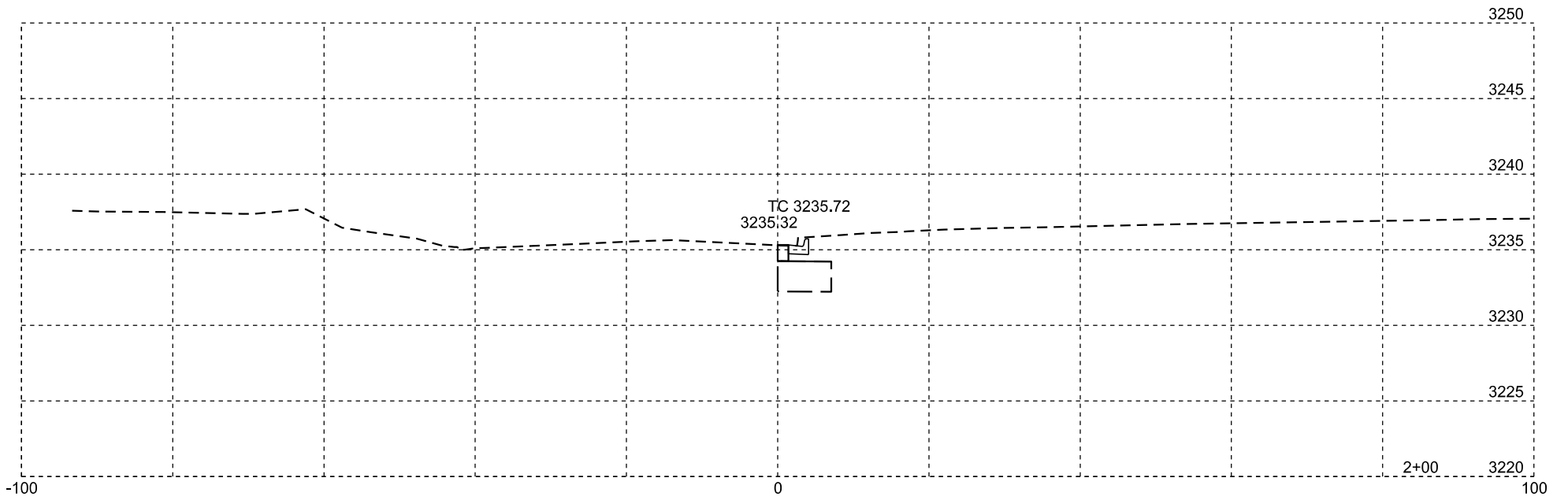
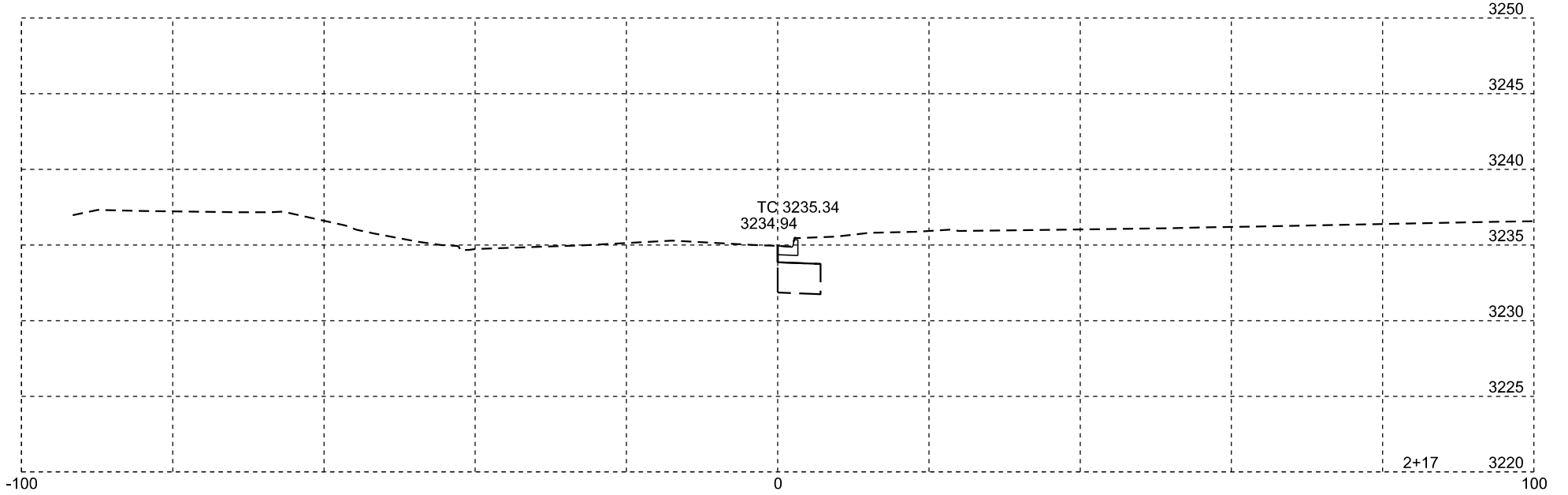
Rev. 8/2/2024 BAF



xr133



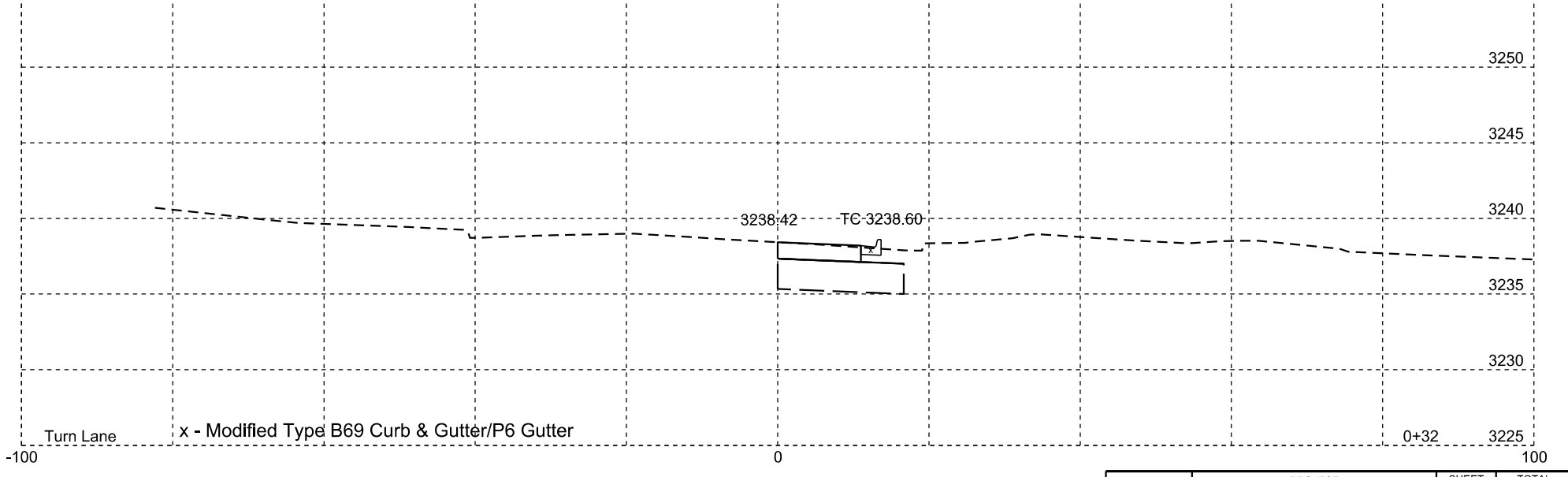
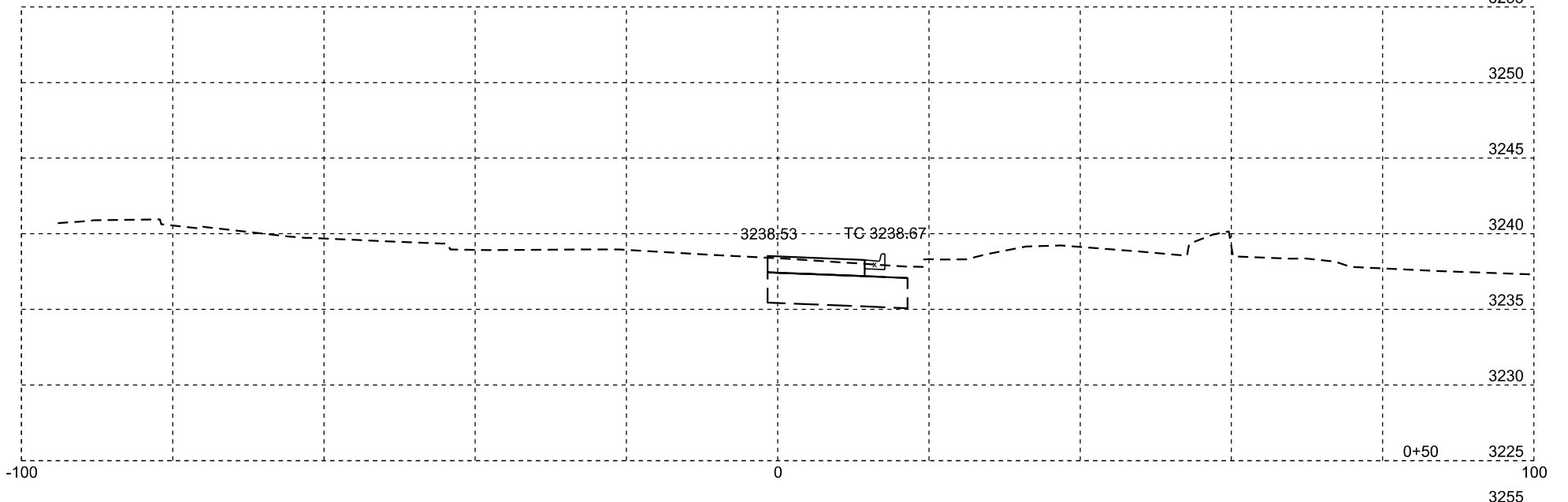
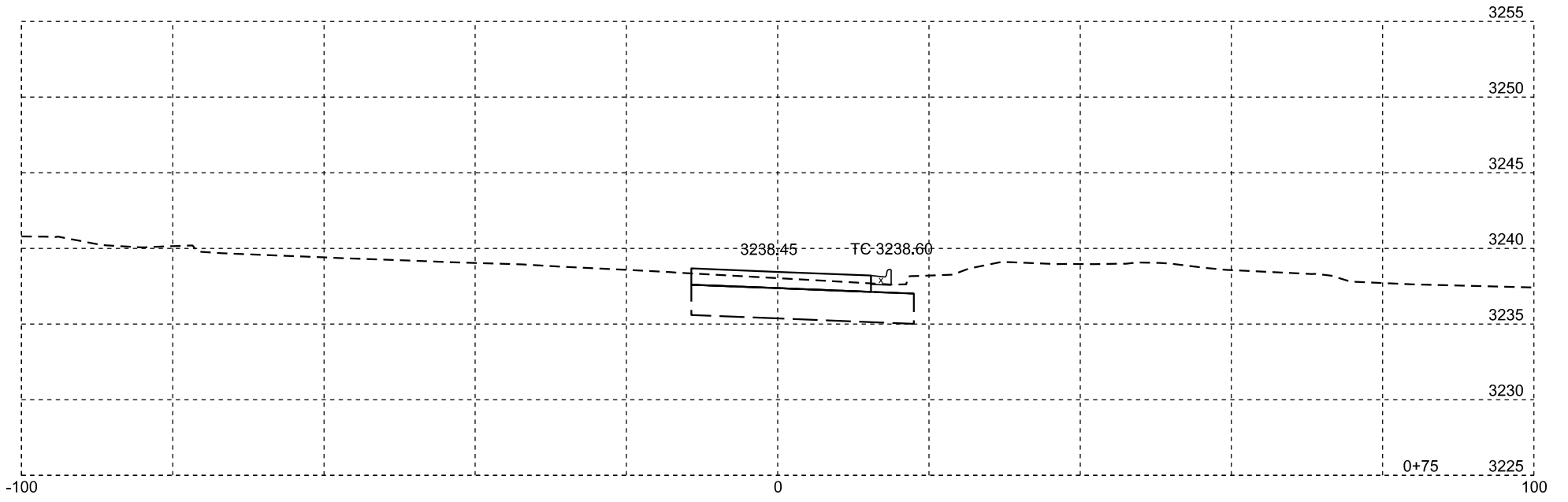
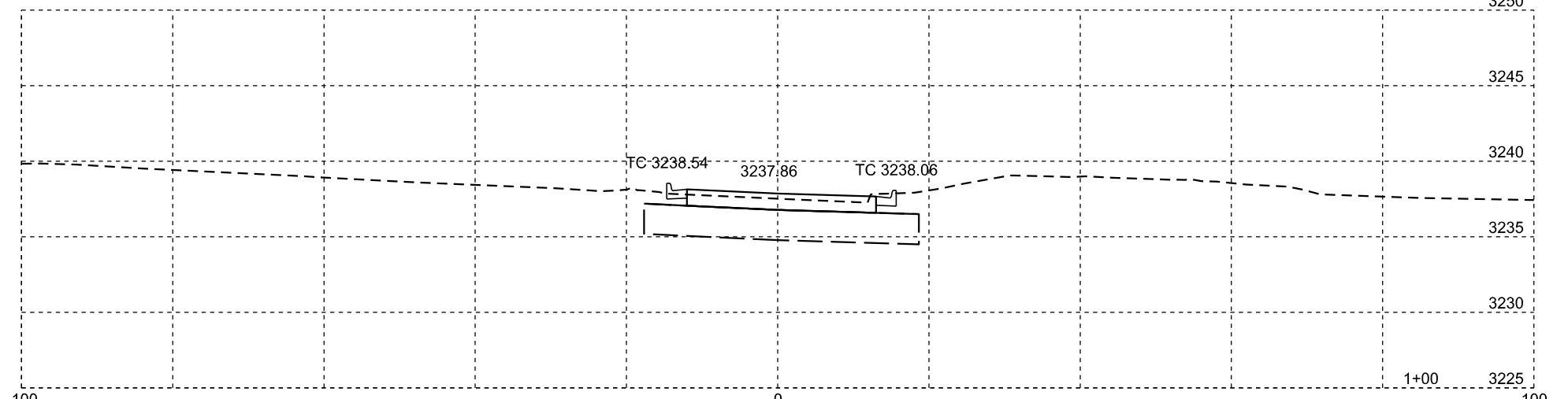
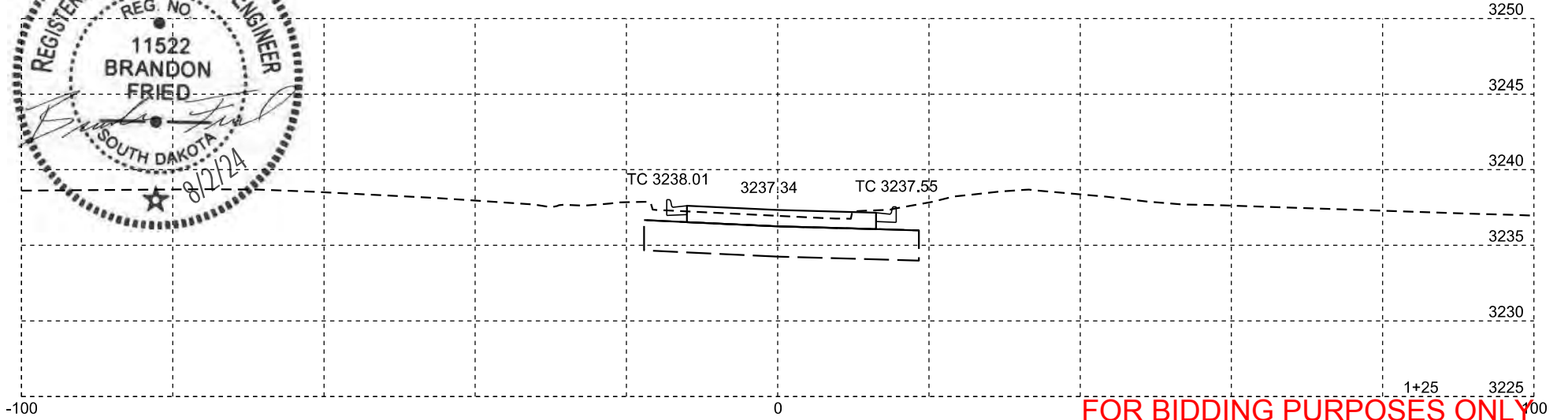
FOR BIDDING PURPOSES ONLY



Turn Lane x - Modified Type B69 Curb & Gutter/P6 Gutter

Rev. 8/2/2024 BAF
Plotting Date: 7/31/2024

STATE OF SOUTH DAKOTA	PROJECT	SHEET NO.	TOTAL SHEETS
	NH-CR-EM 0018(195)103 P 0407(05)01		



Turn Lane x - Modified Type B69 Curb & Gutter/P6 Gutter

Rev. 8/2/2024 BAF
Plotting Date: 7/31/2024

STATE OF SOUTH DAKOTA	PROJECT	SHEET NO.	TOTAL SHEETS
	NH-CR-EM 0018(195)103 P 0407(05)01	X56	X56