

SECTION X: CROSS SECTIONS

STATE OF SOUTH DAKOTA	PROJECT	SHEET	TOTAL SHEETS
	P-PH 0028(36)355	X1	X134

Plotting Date: 10/23/2024

INDEX OF SECTIONS

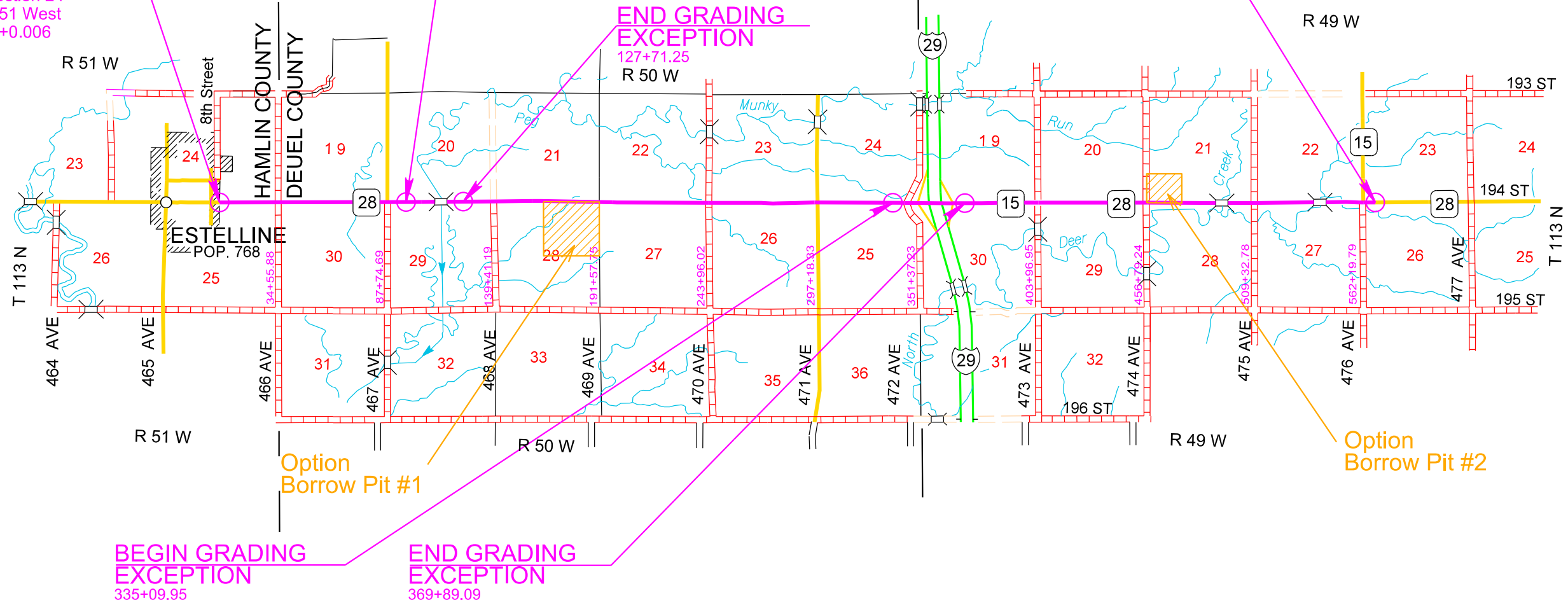
- X1 General Layout W/Index
- X2-X134 Cross Sections

BEGIN P-PH 0028(36)355
 Station 11+11.77 = 9+19 on S-210(1)
 located 4.42 feet North and 113.98 feet
 East of the S1/4 corner of Section 24-
 Township 113 North-Range 51 West
 of the 5th P.M. MRM 355.02+0.006

BEGIN GRADING EXCEPTION
 100+05.99

END P-PH 0028(36)355
 Station 568+41.79 = 20+76.3 on SAP 304
 located 2017.06 feet West and 91.99 feet
 South of the S1/4 corner of Section 23-
 Township 113 North - Range 49 West
 of the 5th P.M. MRM 365+36+0.118

END GRADING EXCEPTION
 127+71.25
 R 50 W



Plot Scale - 1:200

Plotted From - TRSF12142

File - U:\trproj\duel04\H1\TitleX.dgn

Soil Legend

Plotting Date: 10/23/2024

STATE OF SOUTH DAKOTA	PROJECT	SHEET NO.	TOTAL SHEETS
		X2	X134

- ①  Clay Silt
- ②  Silt Clay
- ③  Clay
- ④  Sandy Clay
- ⑤  Clay Sand
- ⑥  Silty Sand
- ⑦  Sandy Silt
- ⑧  Sand
- ⑨  Silt
- ⑩  Gravel

The soils information presented is representative of the material encountered at the specific bore hole location.

The Geotechnical Engineering Activity has on file all of the boring logs for this project. These logs and additional results of laboratory tests, if any, are available for review at the Central Office in Pierre.

Water levels encountered in the borings when drilled in Dec. 2020 - Jan. 2021 are annotated on the cross-sections.

-  Water Level
-  Caved Hole

Hole Number	1	1	1
Station	15+00	15+00	15+00
Offset	9.0'LT	9.0'LT	9.0'LT
Depth, ft	1.4-5.5	5.5-8.0	8.0-10.0
Moisture Depth, ft	3.0	6.0	9.5
Moisture, %	19.9	19.1	16.3
Dry Loose Wt, lbs/cuft	78.8	76.0	104.0
% Passing 3/8	99.7	100.0	97.1
% Passing #4	99.1	99.7	91.3
% Passing #10	98.1	99.3	80.5
% Passing #40	85.2	89.8	55.3
% Passing #200	62.8	54.5	22.1
% Sand	35.3	44.8	58.5
% Silt	28.1	26.3	10.5
% Clay	34.7	28.2	11.6
Liquid Limit	39	31	22
Plastic Limit	18	14	0
Plasticity Index	21	17	NP
Soil Color	Charcoal	Brown	Brown
Textural Class.	Sandy Clay	Clay Sand	Silty Sand
AASHTO Class.	A-6 (10)	A-6 (7)	A-2-4 (0)

Hole Number	2	2	2
Station	40+00	40+00	40+00
Offset	7.8'LT	7.8'LT	7.8'LT
Depth, ft	1.7-5.0	5.0-8.0	8.0-10.0
Moisture Depth, ft	3.0	7.0	9.0
Moisture, %	20.7	18.5	15.2
Dry Loose Wt, lbs/cuft	78.3	78.5	88.9
% Passing 3/8	99.3	99.8	99.2
% Passing #4	98.9	99.7	97.3
% Passing #10	97.4	99.0	93.9
% Passing #40	83.6	90.0	71.0
% Passing #200	60.1	59.8	30.1
% Sand	37.3	39.3	63.8
% Silt	32.4	37.6	18.5
% Clay	27.7	22.2	11.6
Liquid Limit	37	25	0
Plastic Limit	18	16	0
Plasticity Index	19	9	NP
Soil Color	Charcoal	Brown	Brown
Textural Class.	Clay Sand	Clay Sand	Silty Sand
AASHTO Class.	A-6 (9)	A-4 (5)	A-2-4 (0)

Hole Number	3	3
Station	65+00	65+00
Offset	7.2'RT	7.2'RT
Depth, ft	1.7-5.0	5.0-10.0
Moisture Depth, ft	4.0	7.0
Moisture, %	20.6	21.6
Dry Loose Wt, lbs/cuft	80.8	77.0
% Passing 3/8	98.0	100.0
% Passing #4	96.1	99.9
% Passing #10	93.4	99.6
% Passing #40	83.3	96.4
% Passing #200	65.9	82.8
% Sand	27.5	16.9
% Silt	37.5	49.5
% Clay	28.4	33.3
Liquid Limit	38	37
Plastic Limit	21	18
Plasticity Index	17	19
Soil Color	Charcoal	Brown
Textural Class.	Clay Silt	Silt Clay
AASHTO Class.	A-6 (9)	A-6 (12)

Hole Number	4	4
Station	90+00	90+00
Offset	7.0'RT	7.0'RT
Depth, ft	1.6-5.0	5.0-10.0
Moisture Depth, ft	3.0	7.0
Moisture, %	27.1	26.7
Dry Loose Wt, lbs/cuft	77.2	78.7
% Passing 3/8	100.0	100.0
% Passing #4	99.4	99.6
% Passing #10	98.1	98.2
% Passing #40	91.4	93.6
% Passing #200	73.8	82.4
% Sand	24.3	15.7
% Silt	44.0	45.7
% Clay	29.8	36.7
Liquid Limit	39	42
Plastic Limit	21	20
Plasticity Index	18	22
Soil Color	Charcoal	Brown
Textural Class.	Clay Silt	Silt Clay
AASHTO Class.	A-6 (11)	A-7-6 (13)

Hole Number	5	5
Station	129+00	129+00
Offset	120'LT	120'LT
Depth, ft	0-7.0	7.0-20.0
Moisture Depth, ft	3.5	7.5
Moisture, %	18.4	23.4
Dry Loose Wt, lbs/cuft	81.5	78.9
% Passing 3/8	99.0	100.0
% Passing #4	98.8	99.8
% Passing #10	98.1	99.3
% Passing #40	94.2	97.4
% Passing #200	84.4	93.0
% Sand	13.6	6.3
% Silt	48.1	56.2
% Clay	36.3	36.7
Liquid Limit	38	38
Plastic Limit	17	19
Plasticity Index	21	19
Soil Color	Brown	Brown
Textural Class.	Silt Clay	Silt Clay
AASHTO Class.	A-6 (12)	A-6 (12)

Hole Number	6	6
Station	140+00	140+00
Offset	78'LT	78'LT
Depth, ft	0-6.5	6.5-15.0
Moisture Depth, ft	3.0	8.0
Moisture, %	15.5	16.2
Dry Loose Wt, lbs/cuft	83.8	81.3
% Passing 3/8	99.4	99.8
% Passing #4	99.1	99.5
% Passing #10	97.0	97.8
% Passing #40	89.1	89.8
% Passing #200	72.7	72.9
% Sand	24.3	24.9
% Silt	36.8	36.7
% Clay	35.9	36.2
Liquid Limit	35	36
Plastic Limit	16	15
Plasticity Index	19	20
Soil Color	Brown	Brown
Textural Class.	Silt Clay	Silt Clay
AASHTO Class.	A-6 (11)	A-6 (12)

Hole Number	7	7
Station	152+00	152+00
Offset	105'LT	105'LT
Depth, ft	0-6.5	6.5-20.0
Moisture Depth, ft	3.5	8.0
Moisture, %	9.8	15.3
Dry Loose Wt, lbs/cuft	82.6	80.9
% Passing 3/8	98.1	98.1
% Passing #4	97.0	97.5
% Passing #10	95.0	95.2
% Passing #40	84.7	87.2
% Passing #200	66.9	70.4
% Sand	28.1	24.8
% Silt	31.8	35.2
% Clay	35.2	35.2
Liquid Limit	34	34
Plastic Limit	16	15
Plasticity Index	18	19
Soil Color	Brown	Brown
Textural Class.	Sandy Clay	Silt Clay
AASHTO Class.	A-6 (10)	A-6 (11)

Hole Number	8	8	8
Station	157+00	157+00	157+00
Offset	120'LT	120'LT	120'LT
Depth, ft	0-5.0	5.0-13.0	13.0-20.0
Moisture Depth, ft	2.5	6.0	13.5
Moisture, %	15.6	15.6	17.1
Dry Loose Wt, lbs/cuft	79.4	81.5	79.2
% Passing 3/8	99.4	98.3	99.8
% Passing #4	98.7	97.9	99.6
% Passing #10	96.6	96.1	98.4
% Passing #40	88.0	87.4	90.6
% Passing #200	71.9	70.8	73.4
% Sand	24.7	25.3	25.0
% Silt	34.2	35.2	37.0
% Clay	37.7	35.6	36.4
Liquid Limit	36	35	35
Plastic Limit	16	15	15
Plasticity Index	20	20	20
Soil Color	Brown	Brown	Brown
Textural Class.	Silt Clay	Silt Clay	Silt Clay
AASHTO Class.	A-6 (11)	A-6 (11)	A-6 (12)

Hole Number	9	9	9
Station	163+00	163+00	163+00
Offset	120'LT	120'LT	120'LT
Depth, ft	0-6.5	6.5-14.0	14.0-25.0
Moisture Depth, ft	3.0	8.0	16.0
Moisture, %	9.0	15.9	16.9
Dry Loose Wt, lbs/cuft	81.6	81.9	78.5
% Passing 3/8	98.6	99.7	100.0
% Passing #4	98.1	99.1	99.9
% Passing #10	96.6	96.7	98.9
% Passing #40	87.2	88.7	89.9
% Passing #200	67.6	71.2	73.2
% Sand	29.0	25.5	25.8
% Silt	31.8	35.4	36.6
% Clay	35.8	35.8	36.6
Liquid Limit	33	34	35
Plastic Limit	16	15	15
Plasticity Index	18	20	20
Soil Color	Brown	Brown	Brown
Textural Class.	Sandy Clay	Silt Clay	Silt Clay
AASHTO Class.	A-6 (10)	A-6 (11)	A-6 (12)

Hole Number	10	10
Station	187+00	187+00
Offset	6.0'RT	6.0'RT
Depth, ft	1.6-5.0	5.0-12.0
Moisture Depth, ft	3.5	7.0
Moisture, %	14.5	14.9
Dry Loose Wt, lbs/cuft	80.2	80.7
% Passing 3/8	95.1	99.6
% Passing #4	94.0	99.3
% Passing #10	92.6	98.3
% Passing #40	81.9	90.1
% Passing #200	59.8	67.8
% Sand	32.8	30.5
% Silt	30.7	40.9
% Clay	29.1	26.9
Liquid Limit	33	29
Plastic Limit	17	16
Plasticity Index	16	14
Soil Color	Gray	Brown
Textural Class.	Clay Sand	Clay Silt
AASHTO Class.	A-6 (7)	A-6 (8)

Hole Number	11	11
Station	192+00	192+00
Offset	7.6'LT	7.6'LT
Depth, ft	1.5-5.0	5.0-12.0
Moisture Depth, ft	4.0	8.0
Moisture, %	23.0	14.9
Dry Loose Wt, lbs/cuft	77.9	80.6
% Passing 3/8	100.0	100.0
% Passing #4	100.0	99.4
% Passing #10	99.5	98.5
% Passing #40	93.3	87.9
% Passing #200	75.9	64.8
% Sand	23.5	33.8
% Silt	44.7	30.9
% Clay	31.2	33.9
Liquid Limit	38	31
Plastic Limit	20	15
Plasticity Index	18	16
Soil Color	Brown	Brown
Textural Class.	Silt Clay	Sandy Clay
AASHTO Class.	A-6 (11)	A-6 (9)

Hole Number	12	12
Station	225+00	225+00
Offset	7.8'RT	7.8'RT
Depth, ft	1.6-5.0	5.0-12.0
Moisture Depth, ft	3.0	8.0
Moisture, %	18.7	14.9
Dry Loose Wt, lbs/cuft	78.4	81.6
% Passing 3/8	98.4	98.7
% Passing #4	97.7	97.9
% Passing #10	96.5	96.4
% Passing #40	87.5	86.6
% Passing #200	68.2	66.2
% Sand	28.3	30.1
% Silt	33.5	34.4
% Clay	34.7	31.8
Liquid Limit	35	29
Plastic Limit	17	15
Plasticity Index	18	14
Soil Color	Brown	Brown
Textural Class.	Sandy Clay	Sandy Clay
AASHTO Class.	A-6 (10)	A-6 (8)

Hole Number	13	13
Station	231+00	231+00
Offset	7.0'RT	7.0'RT
Depth, ft	1.7-7.0	7.0-18.0
Moisture Depth, ft	4.0	9.0
Moisture, %	21.2	16.9
Dry Loose Wt, lbs/cuft	80.5	79.8
% Passing 3/8	99.2	99.2
% Passing #4	98.7	98.3
% Passing #10	97.4	97.0
% Passing #40	88.3	89.0
% Passing #200	67.0	71.9
% Sand	30.5	25.1
% Silt	34.8	36.0
% Clay	32.2	35.9
Liquid Limit	35	33
Plastic Limit	18	15
Plasticity Index	17	18
Soil Color	Gray	Brown
Textural Class.	Sandy Clay	Silt Clay
AASHTO Class.	A-6 (9)	A-6 (10)

Hole Number	14	14
Station	258+00	258+00
Offset	6.4'RT	6.4'RT
Depth, ft	1.6-5.5	5.5-10.0
Moisture Depth, ft	3.5	7.0
Moisture, %	24.9	7.7
Dry Loose Wt, lbs/cuft	78.2	107.1
% Passing 3/8	99.8	90.7
% Passing #4	99.4	82.9
% Passing #10	97.7	70.6
% Passing #40	84.7	42.4
% Passing #200	66.8	22.4
% Sand	30.9	48.2
% Silt	37.5	12.5
% Clay	29.3	9.9
Liquid Limit	40	22
Plastic Limit	22	15
Plasticity Index	18	7
Soil Color	Charcoal	Brown
Textural Class.	Clay Silt	Gravelly Silty Sand
AASHTO Class.	A-6 (10)	A-2-4 (0)

Hole Number	15	15
Station	300+00	300+00
Offset	7.6'LT	7.6'LT
Depth, ft	1.7-8.0	8.0-12.0
Moisture Depth, ft	3.5	9.0
Moisture, %	16.4	15.4
Dry Loose Wt, lbs/cuft	77.7	104.0
% Passing 3/8	100.0	86.6
% Passing #4	100.0	76.7
% Passing #10	99.8	69.4
% Passing #40	91.9	53.2
% Passing #200	58.2	36.1
% Sand	41.6	33.3
% Silt	35.8	23.3
% Clay	22.4	12.8
Liquid Limit	29	27
Plastic Limit	17	16
Plasticity Index	13	10
Soil Color	Brown	Brown
Textural Class.	Clay Sand	Gravelly Silty Sand
AASHTO Class.	A-6 (6)	A-4 (0)

Hole Number	16	16	16
Station	312+00	312+00	312+00
Offset	6.6'RT	6.6'RT	6.6'RT
Depth, ft	1.5-5.0	5.0-8.0	8.0-12.0
Moisture Depth, ft	3.0	7.0	9.0
Moisture, %	24.8	19.1	6.7
Dry Loose Wt, lbs/cuft	77.8	77.6	107.6
% Passing 3/8	99.8	96.8	90.2
% Passing #4	99.5	95.6	78.6
% Passing #10	98.8	94.5	68.5
% Passing #40	94.7	89.3	47.2
% Passing #200	83.6	80.6	33.6
% Sand	15.2	14.0	35.0
% Silt	51.6	53.7	21.0
% Clay	32.0	26.8	12.6
Liquid Limit	38	34	28
Plastic Limit	22	19	17
Plasticity Index	17	15	11
Soil Color	Charcoal	Brown	Brown
Textural Class.	Silt Clay	Clay Silt	Gravelly Silty Sand
AASHTO Class.	A-6 (11)	A-6 (10)	A-2-6 (0)

Hole Number	17	17
Station	333+00	333+00
Offset	7.0'LT	7.0'LT
Depth, ft	1.6-6.0	6.0-10.0
Moisture Depth, ft	3.0	8.0
Moisture, %	29.5	18.6
Dry Loose Wt, lbs/cuft	78.5	79.0
% Passing 3/8	99.0	100.0
% Passing #4	98.5	99.5
% Passing #10	97.5	98.8
% Passing #40	93.6	92.4
% Passing #200	87.7	76.9
% Sand	9.8	21.8
% Silt	54.2	48.9
% Clay	33.5	28.1
Liquid Limit	40	32
Plastic Limit	23	18
Plasticity Index	18	14
Soil Color	Charcoal	Brown
Textural Class.	Silt Clay	Clay Silt
AASHTO Class.	A-6 (11)	A-6 (10)

Hole Number	18	18
Station	380+00	380+00
Offset	8.8'LT	8.8'LT
Depth, ft	1.6-5.0	5.0-10.0
Moisture Depth, ft	3.0	7.0
Moisture, %	25.1	18.4
Dry Loose Wt, lbs/cuft	80.2	79.8
% Passing 3/8	100.0	100.0
% Passing #4	99.5	99.7
% Passing #10	98.1	98.7
% Passing #40	91.9	93.5
% Passing #200	84.7	82.0
% Sand	13.4	16.6
% Silt	52.9	46.1
% Clay	31.8	35.9
Liquid Limit	38	37
Plastic Limit	22	18
Plasticity Index	17	19
Soil Color	Brown	Brown
Textural Class.	Silt Clay	Silt Clay
AASHTO Class.	A-6 (11)	A-6 (12)

Hole Number	19	19
Station	413+00	413+00
Offset	7.0'RT	7.0'RT
Depth, ft	1.5-5.0	5.0-10.0
Moisture Depth, ft	3.5	8.0
Moisture, %	28.1	16.2
Dry Loose Wt, lbs/cuft	80.0	79.8
% Passing 3/8	99.8	100.0
% Passing #4	99.7	99.8
% Passing #10	99.0	99.0
% Passing #40	96.4	91.4
% Passing #200	92.1	72.6
% Sand	7.0	26.4
% Silt	56.0	39.9
% Clay	36.0	32.7
Liquid Limit	41	34
Plastic Limit	22	17
Plasticity Index	19	17
Soil Color	Brown	Brown
Textural Class.	Silt Clay	Silt Clay
AASHTO Class.	A-7-6 (12)	A-6 (10)

Hole Number	20	20
Station	422+00	422+00
Offset	7.6'LT	7.6'LT
Depth, ft	1.7-5.0	5.0-10.0
Moisture Depth, ft	3.0	7.0
Moisture, %	24.3	14.1
Dry Loose Wt, lbs/cuft	79.1	82.1
% Passing 3/8	99.3	97.8
% Passing #4	99.1	97.3
% Passing #10	98.1	96.4
% Passing #40	93.4	87.0
% Passing #200	88.3	60.6
% Sand	9.8	35.8
% Silt	53.9	32.7
% Clay	34.3	28.0
Liquid Limit	42	30
Plastic Limit	22	15
Plasticity Index	20	15
Soil Color	Brown	Brown
Textural Class.	Silt Clay	Clay Sand
AASHTO Class.	A-7-6 (13)	A-6 (7)

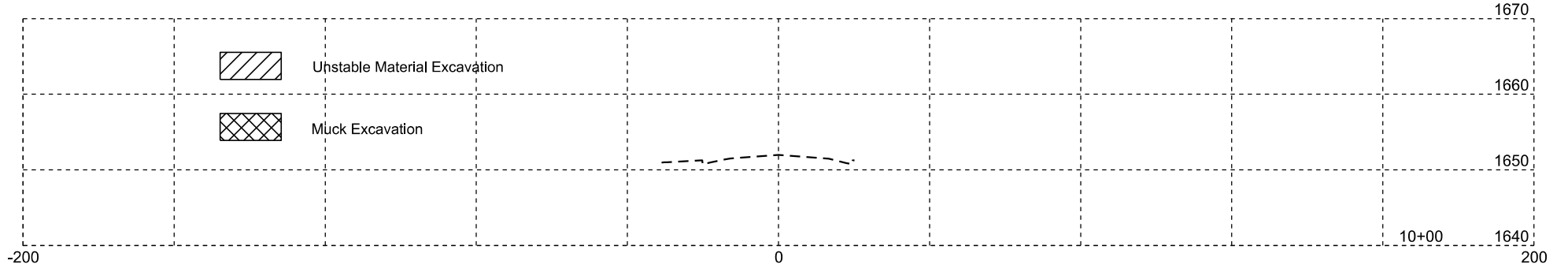
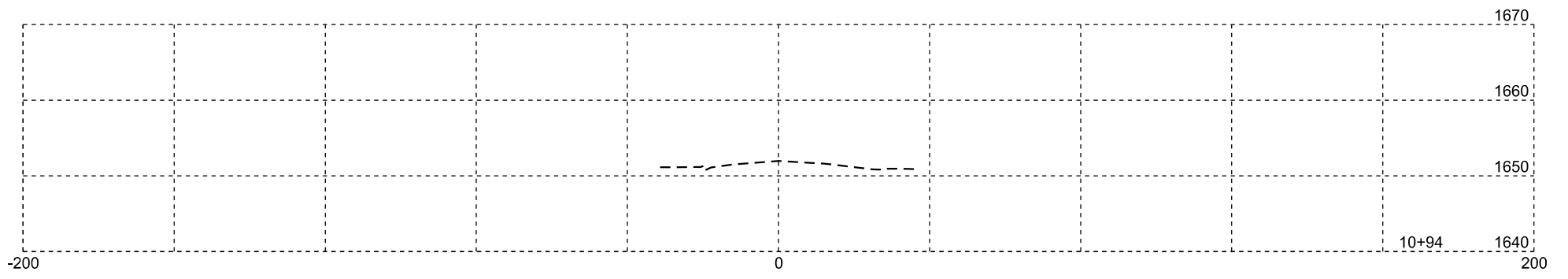
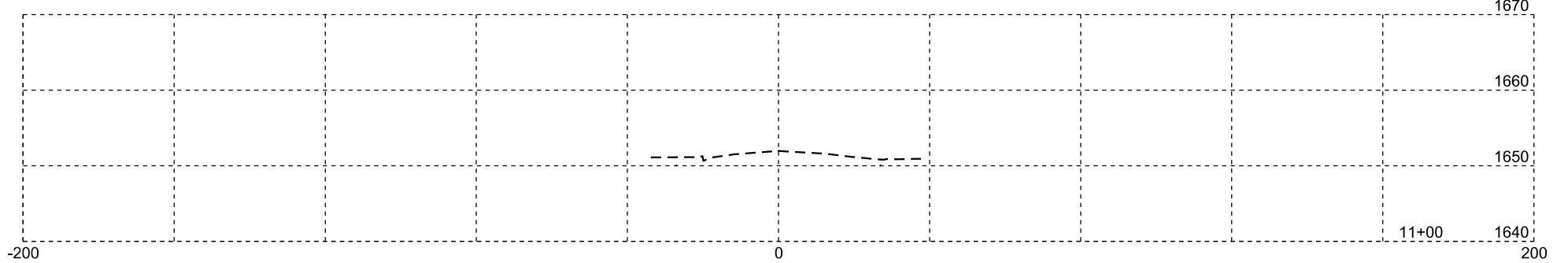
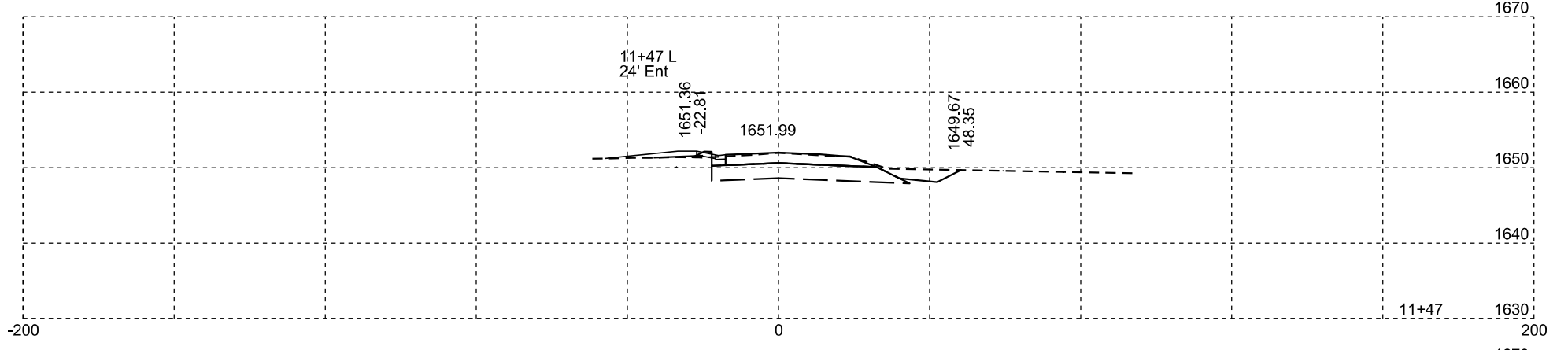
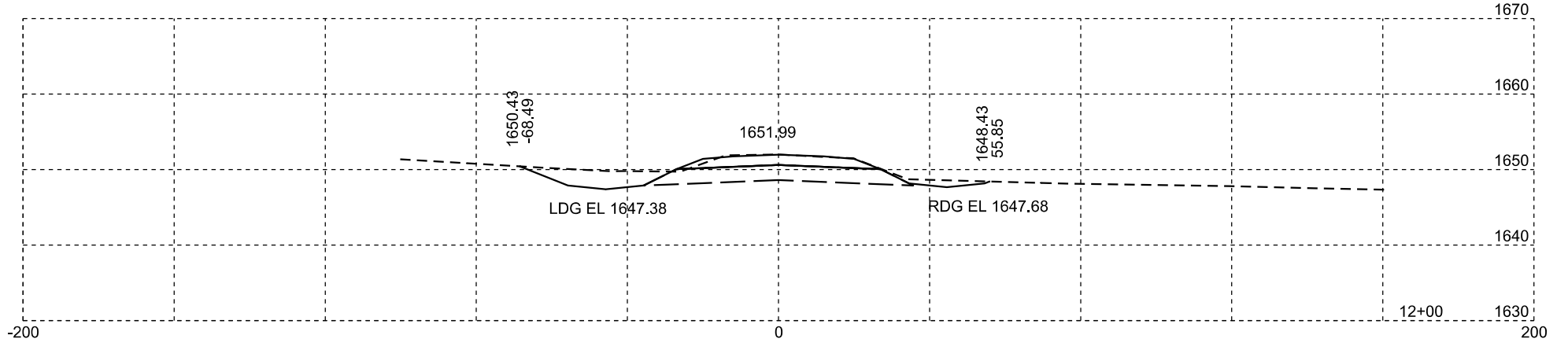
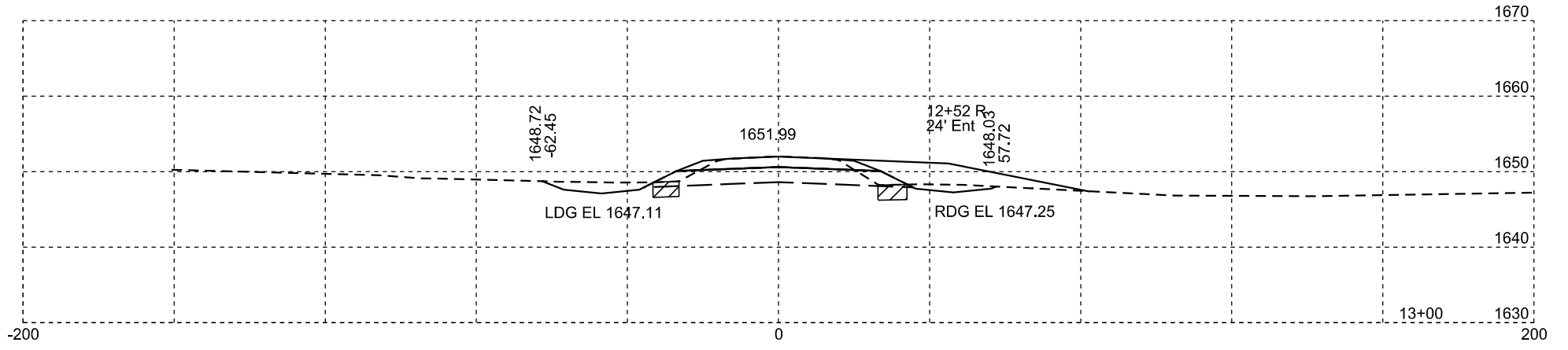
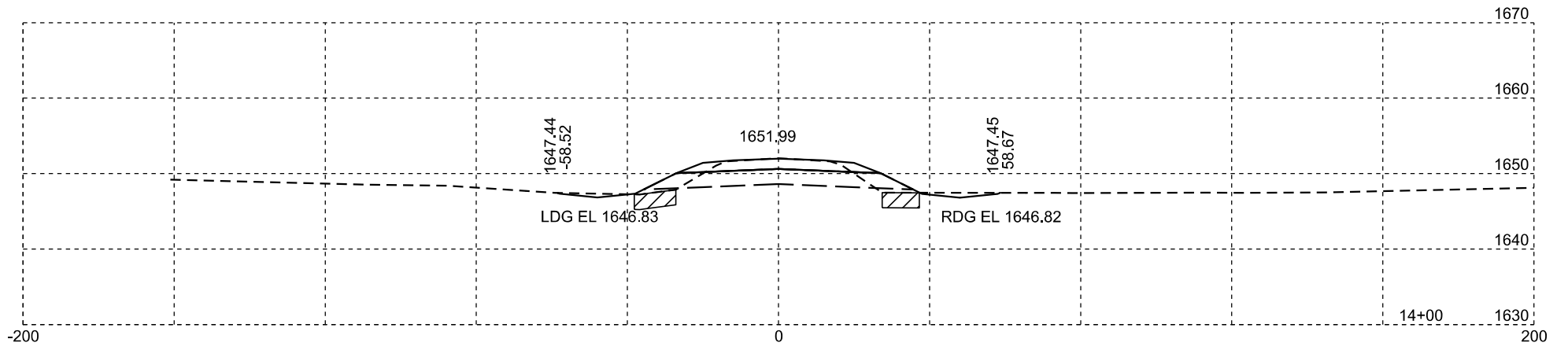
Hole Number	21	21	21
Station	453+00	453+00	453+00
Offset	7.6'RT	7.6'RT	7.6'RT
Depth, ft	1.5-5.5	5.5-9.5	9.5-15.0
Moisture Depth, ft	3.0	8.0	12.0
Moisture, %	25.7	11.0	16.3
Dry Loose Wt, lbs/cuft	78.1	98.0	79.3
% Passing 3/8	99.8	96.9	99.8
% Passing #4	99.5	93.0	99.5
% Passing #10	98.9	87.6	97.7
% Passing #40	94.9	73.5	86.0
% Passing #200	90.2	53.0	64.7
% Sand	8.7	34.6	33.1
% Silt	55.6	34.6	32.4
% Clay	34.6	18.1	32.3
Liquid Limit	43	26	31
Plastic Limit	21	16	16
Plasticity Index	21	11	15
Soil Color	Brown	Brown	Brown
Textural Class.	Silt Clay	Silty Sand	Sandy Clay
AASHTO Class.	A-7-6 (13)	A-6 (4)	A-6 (8)

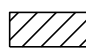
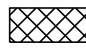
Hole Number	22	22
Station	485+00	485+00
Offset	7.0'RT	7.0'RT
Depth, ft	1.7-6.0	6.0-10.0
Moisture Depth, ft	3.0	6.0
Moisture, %	27.4	26.4
Dry Loose Wt, lbs/cuft	76.7	76.8
% Passing 3/8	100.0	97.9
% Passing #4	99.8	97.9
% Passing #10	98.9	97.4
% Passing #40	94.2	93.8
% Passing #200	88.4	85.7
% Sand	10.5	11.7
% Silt	53.8	50.6
% Clay	34.6	35.1
Liquid Limit	42	41
Plastic Limit	21	19
Plasticity Index	21	22
Soil Color	Charcoal	Brown
Textural Class.	Silt Clay	Silt Clay
AASHTO Class.	A-7-6 (13)	A-7-6 (13)

Hole Number	23	23
Station	513+00	513+00
Offset	7.4'RT	7.4'RT
Depth, ft	1.4-7.0	7.0-12.0
Moisture Depth, ft	3.5	8.0
Moisture, %	27.2	25.1
Dry Loose Wt, lbs/cuft	77.3	78.5
% Passing 3/8	99.9	99.3
% Passing #4	99.3	99.0
% Passing #10	98.0	97.9
% Passing #40	93.1	91.8
% Passing #200	86.2	80.1
% Sand	11.8	17.8
% Silt	51.9	45.8
% Clay	34.3	34.3
Liquid Limit	41	38
Plastic Limit	22	19
Plasticity Index	19	19
Soil Color	Brown	Brown
Textural Class.	Silt Clay	Silt Clay
AASHTO Class.	A-7-6 (12)	A-6 (12)

Hole Number	24	24
Station	530+00	530+00
Offset	7.0'LT	7.0'LT
Depth, ft	1.7-6.0	6.0-12.0
Moisture Depth, ft	3.0	6.0
Moisture, %	28.4	17.2
Dry Loose Wt, lbs/cuft	77.0	76.3
% Passing 3/8	100.0	98.7
% Passing #4	99.2	98.0
% Passing #10	97.9	97.4
% Passing #40	92.8	94.3
% Passing #200	86.4	86.2
% Sand	11.5	11.1
% Silt	52.7	54.1
% Clay	33.7	32.1
Liquid Limit	42	37
Plastic Limit	23	19
Plasticity Index	19	18
Soil Color	Charcoal	Brown
Textural Class.	Silt Clay	Silt Clay
AASHTO Class.	A-7-6 (12)	A-6 (11)

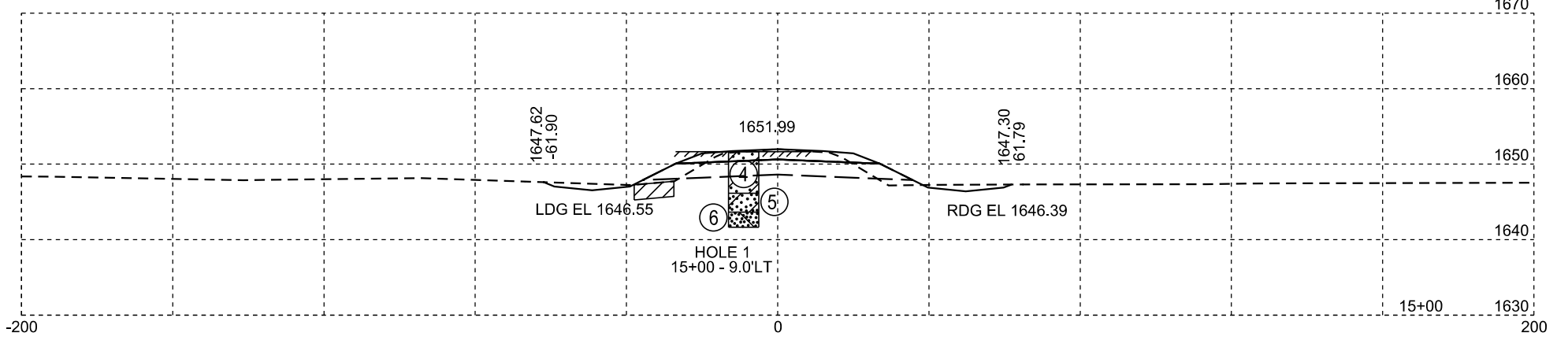
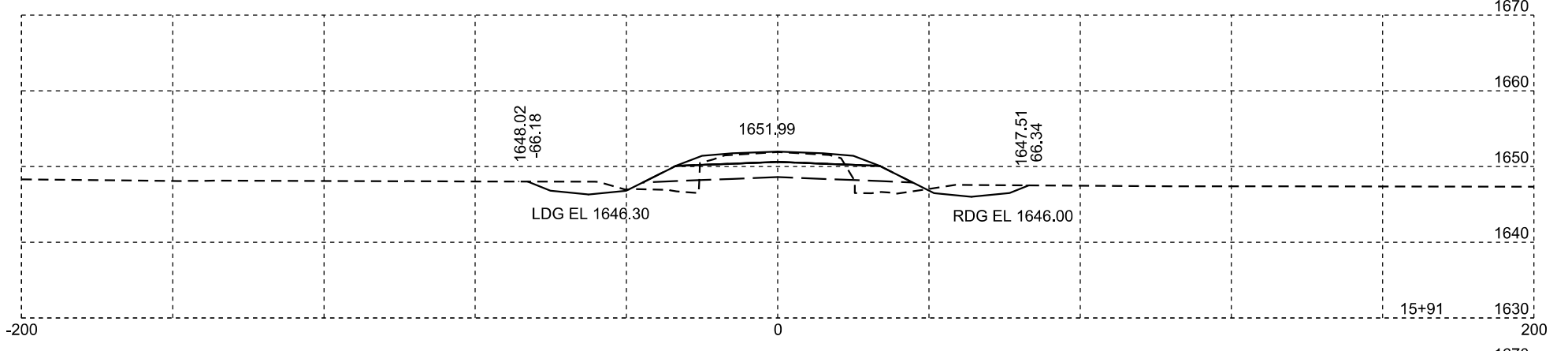
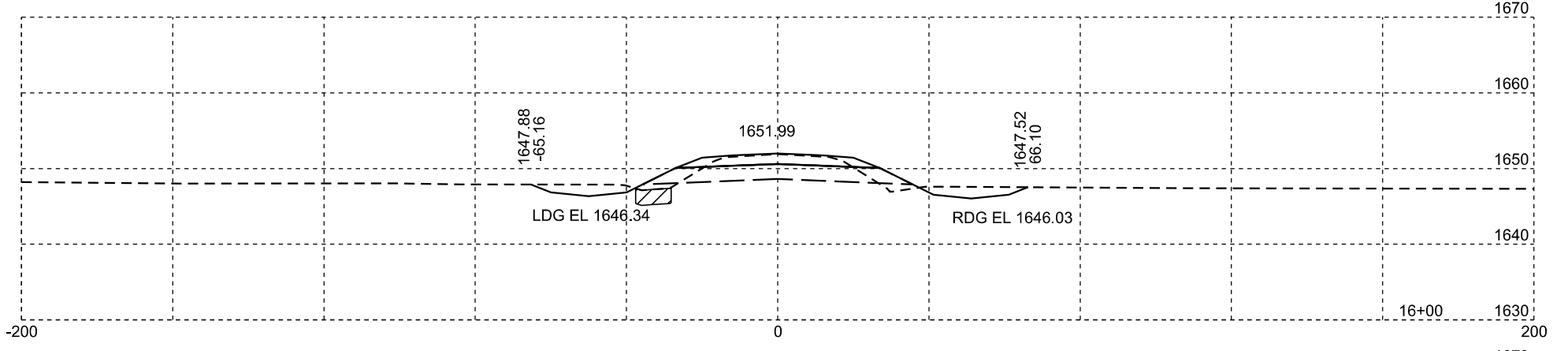
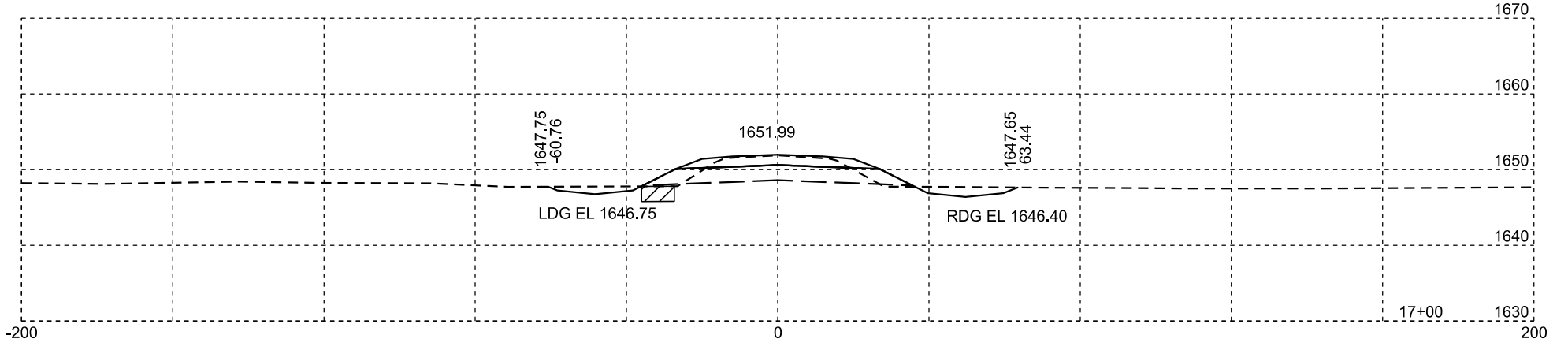
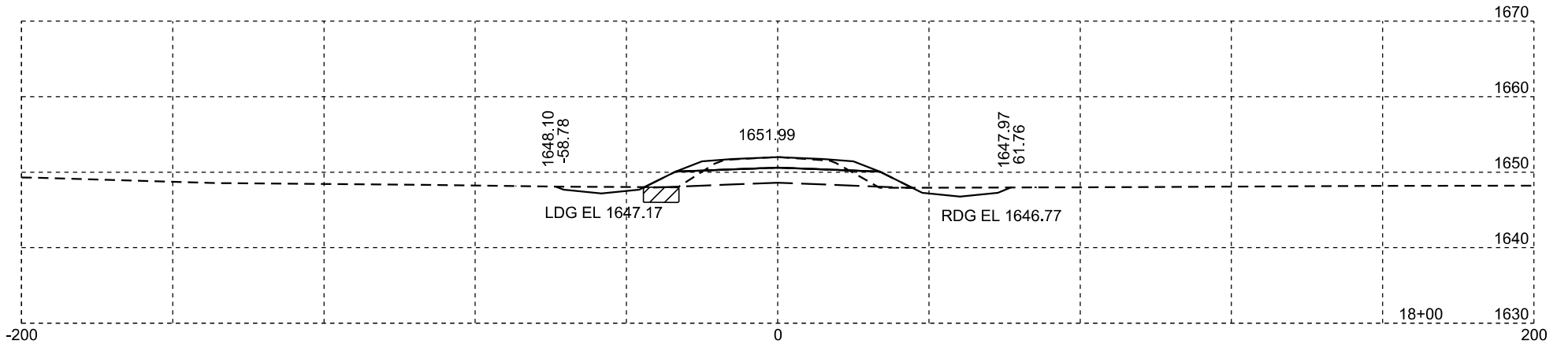
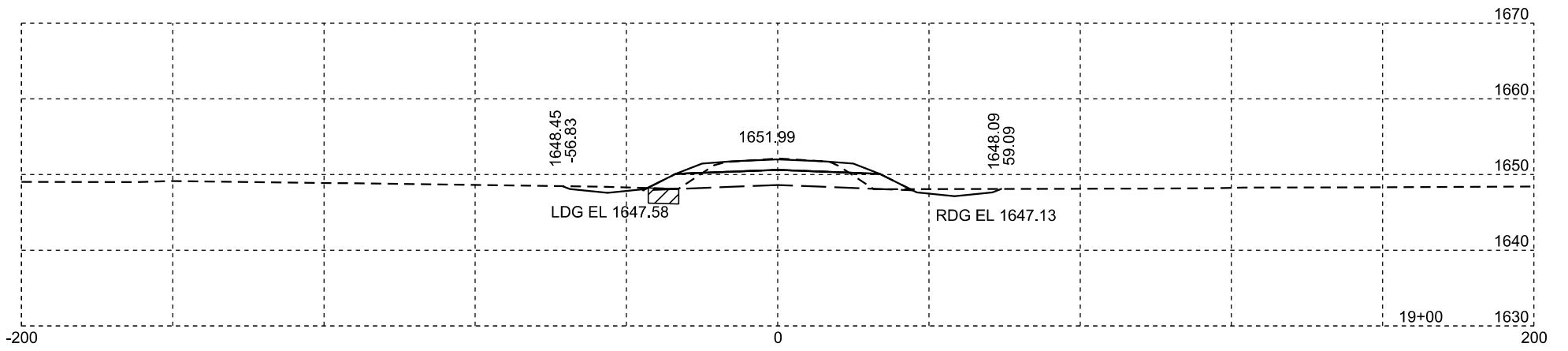
Hole Number	25
Station	554+00
Offset	7.0'RT
Depth, ft	1.9-10.0
Moisture Depth, ft	3.0
Moisture, %	26.8
Dry Loose Wt, lbs/cuft	80.3
% Passing 3/8	98.6
% Passing #4	97.0
% Passing #10	94.7
% Passing #40	87.7
% Passing #200	76.9
% Sand	17.9
% Silt	45.6
% Clay	31.3
Liquid Limit	40
Plastic Limit	22
Plasticity Index	19
Soil Color	Charcoal
Textural Class.	Silt Clay
AASHTO Class.	A-6 (11)



 Unstable Material Excavation
 Muck Excavation

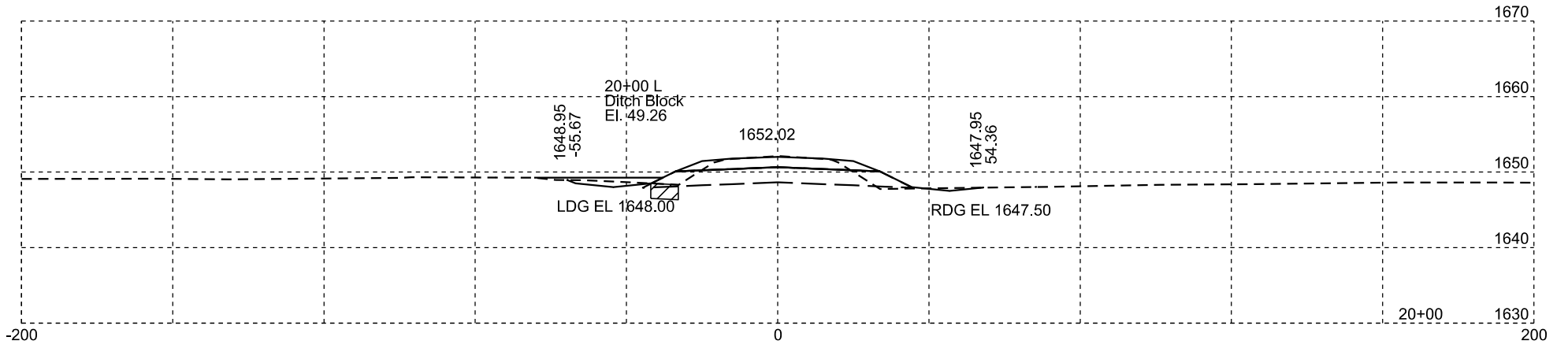
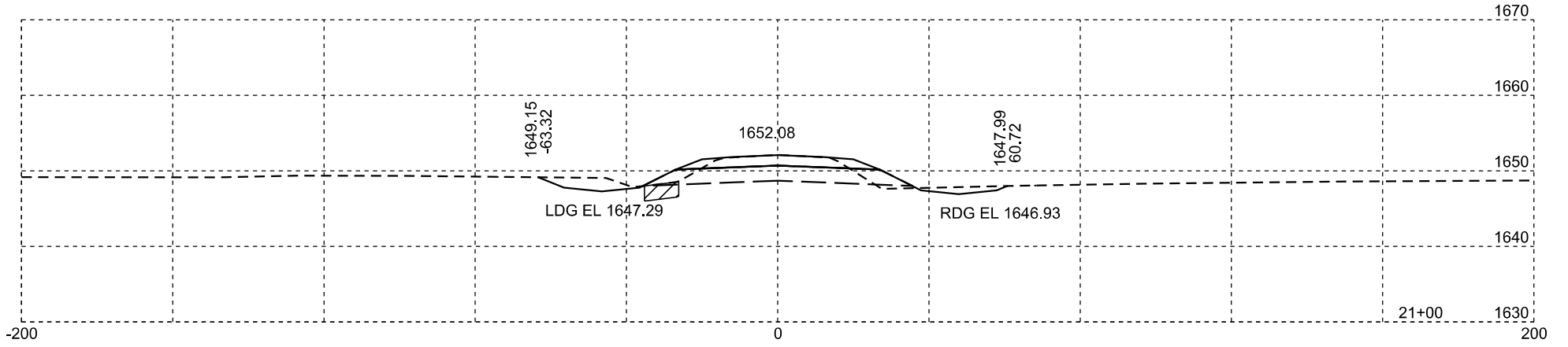
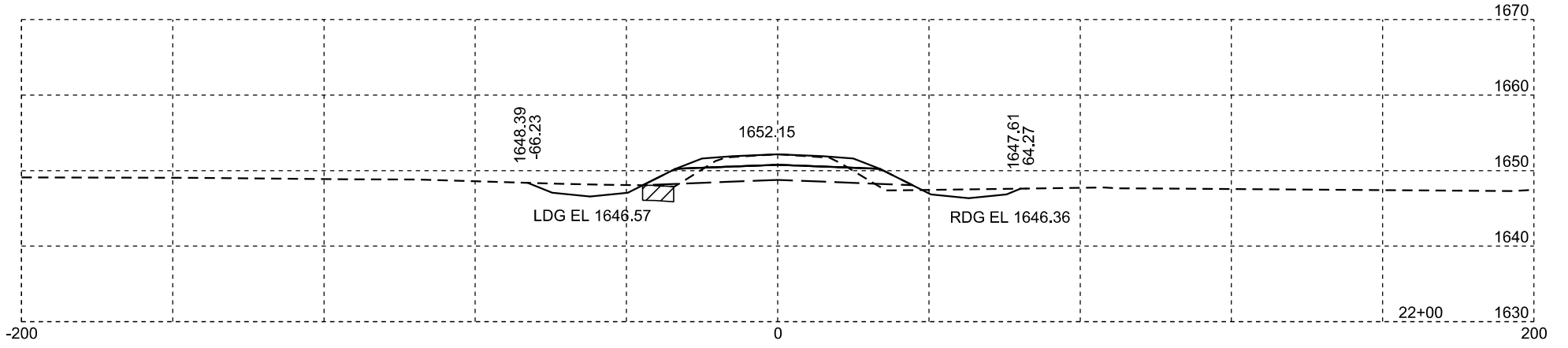
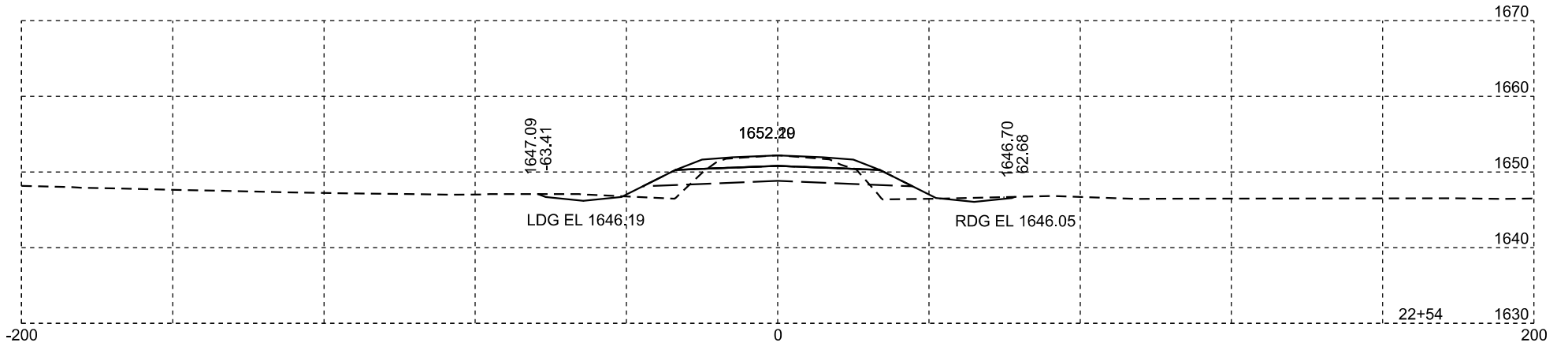
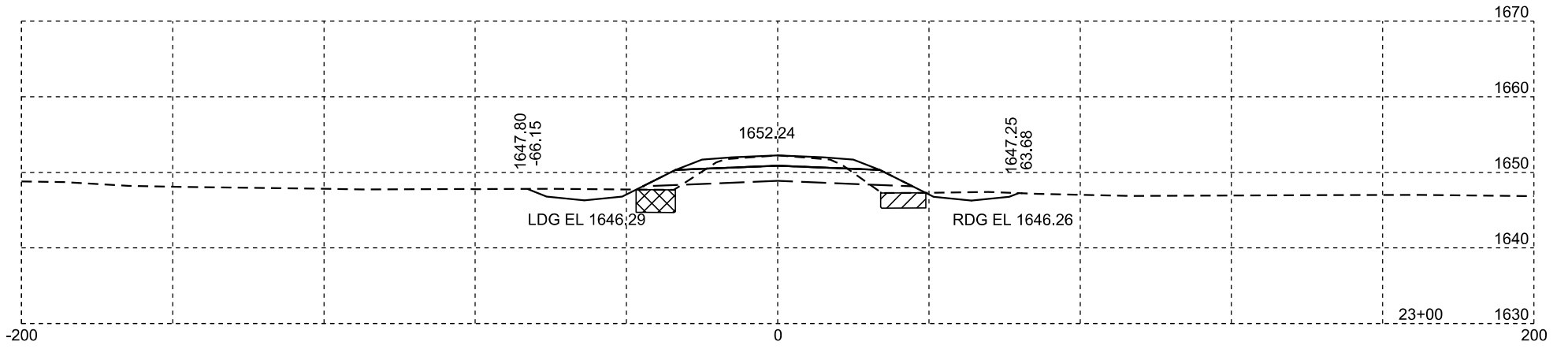
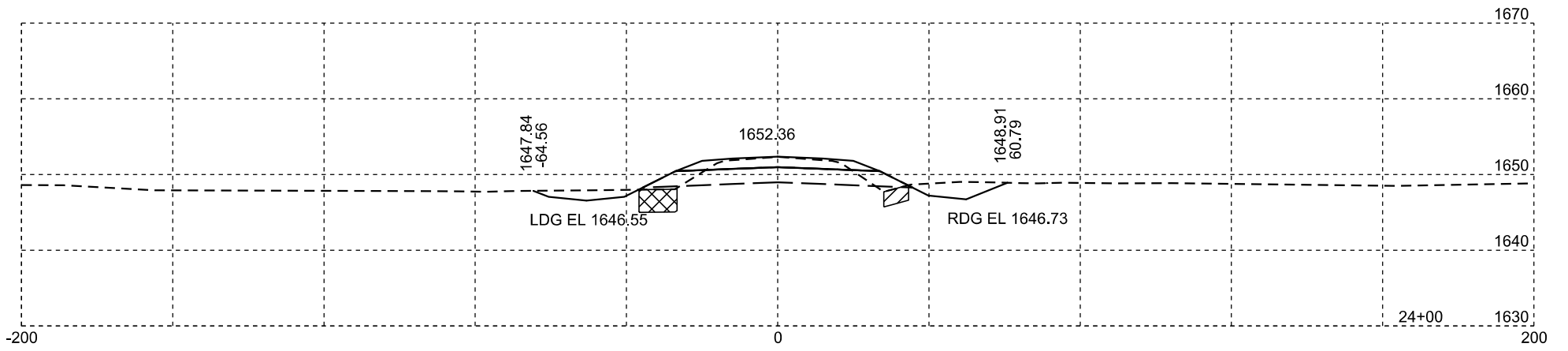
Plotting Date: 10/23/2024

STATE OF SOUTH DAKOTA	PROJECT	SHEET NO.	TOTAL SHEETS
	PH 0028(36)355	X4	X134



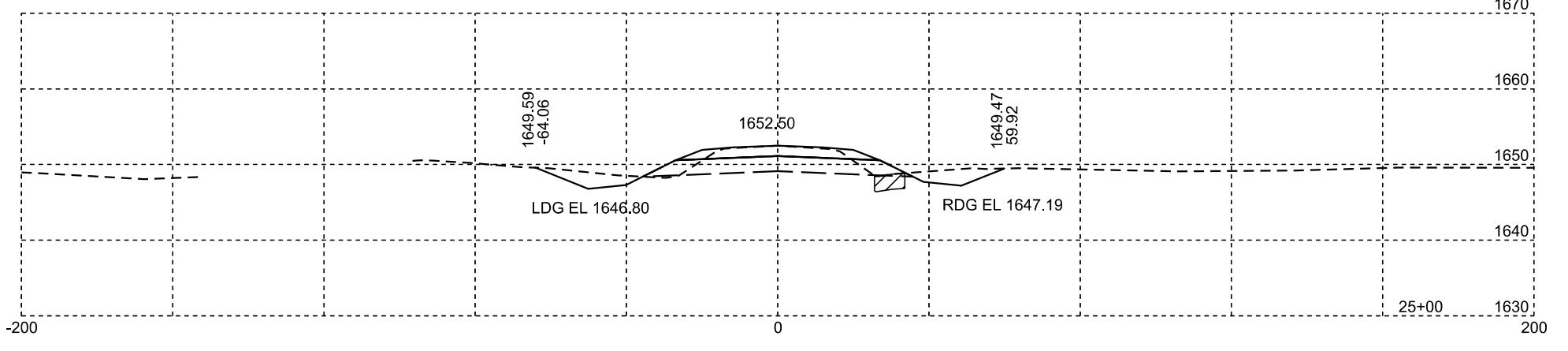
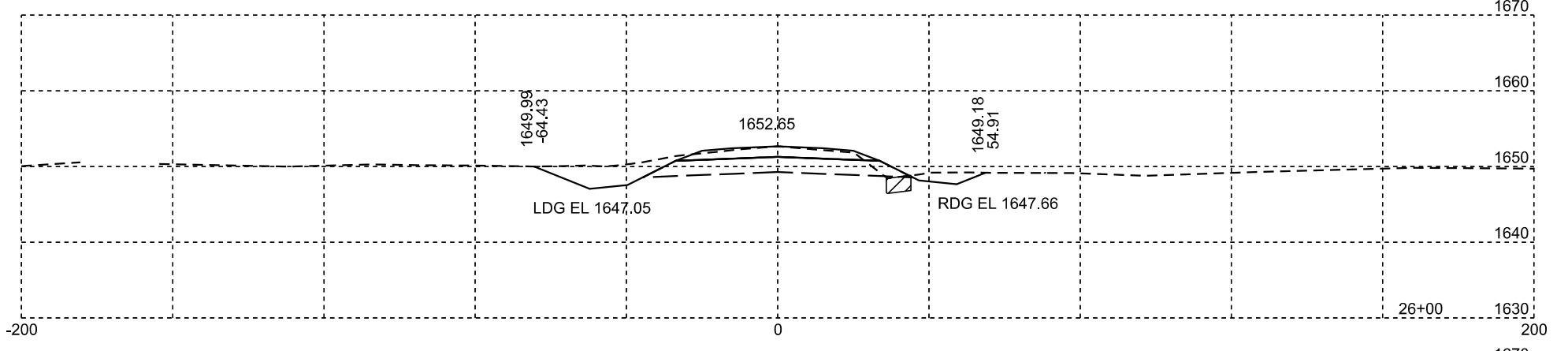
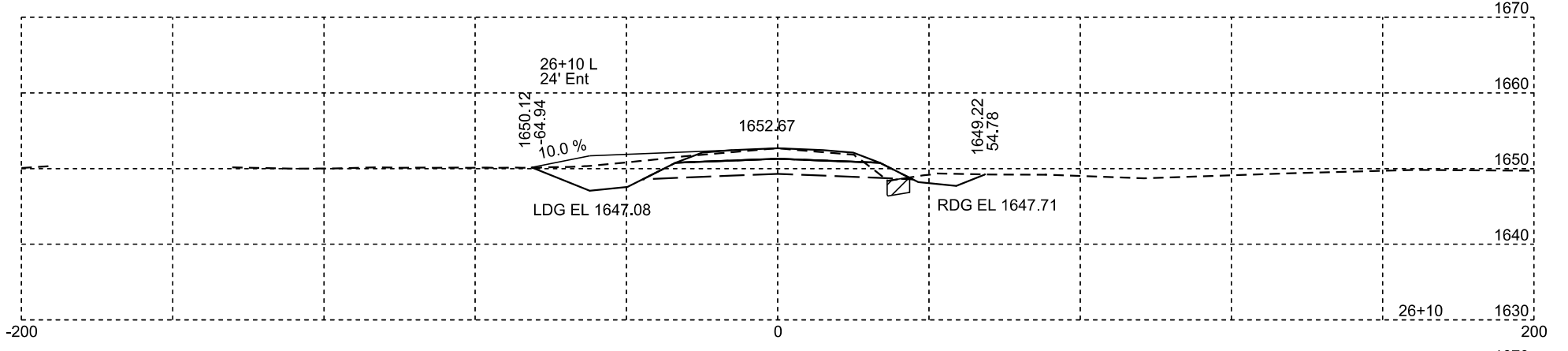
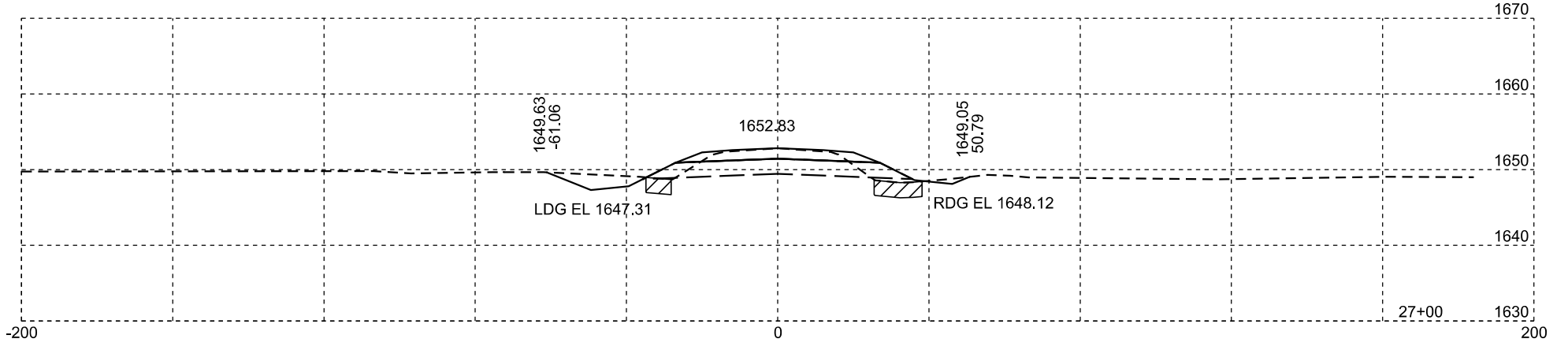
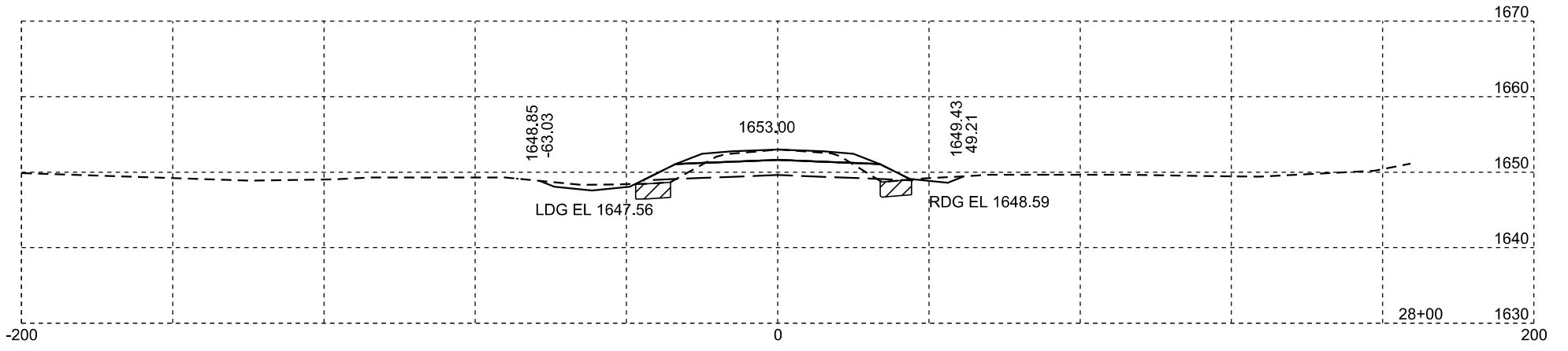
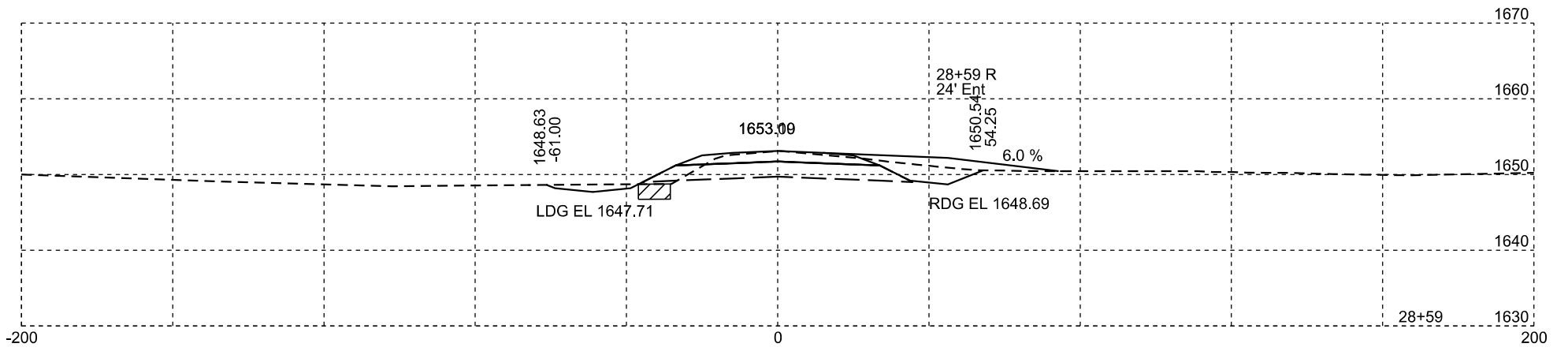
Plotting Date: 10/23/2024

STATE OF SOUTH DAKOTA	PROJECT	SHEET NO.	TOTAL SHEETS
	PH 0028(36)355	X5	X134



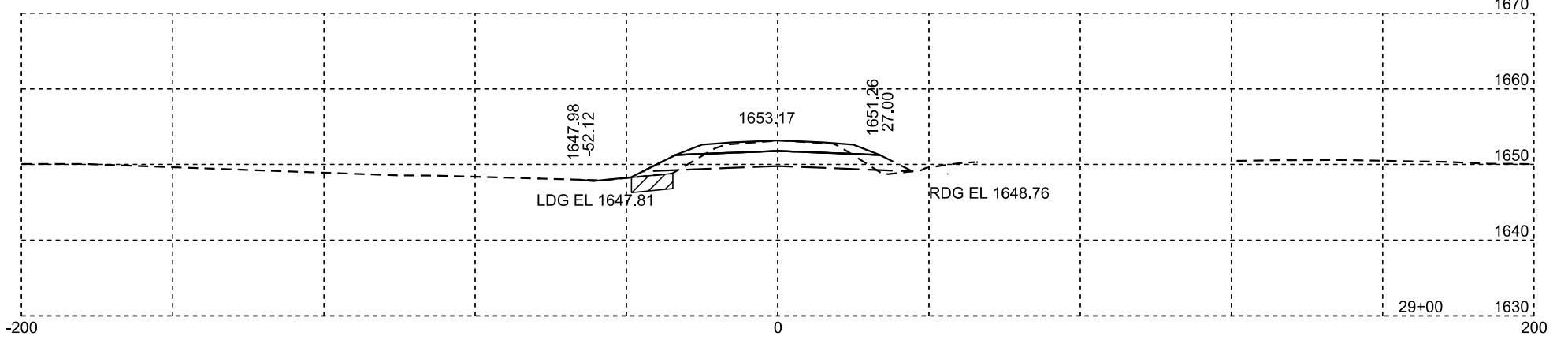
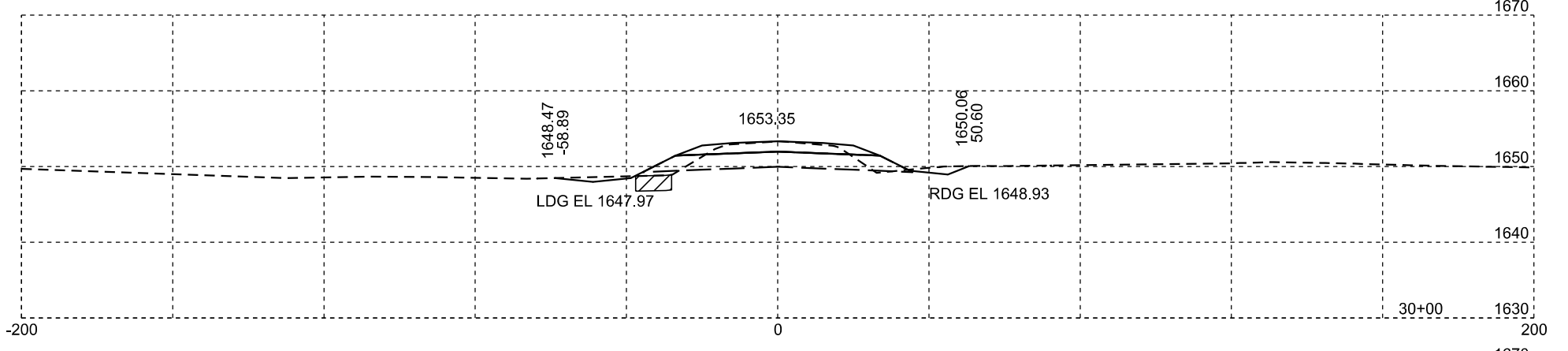
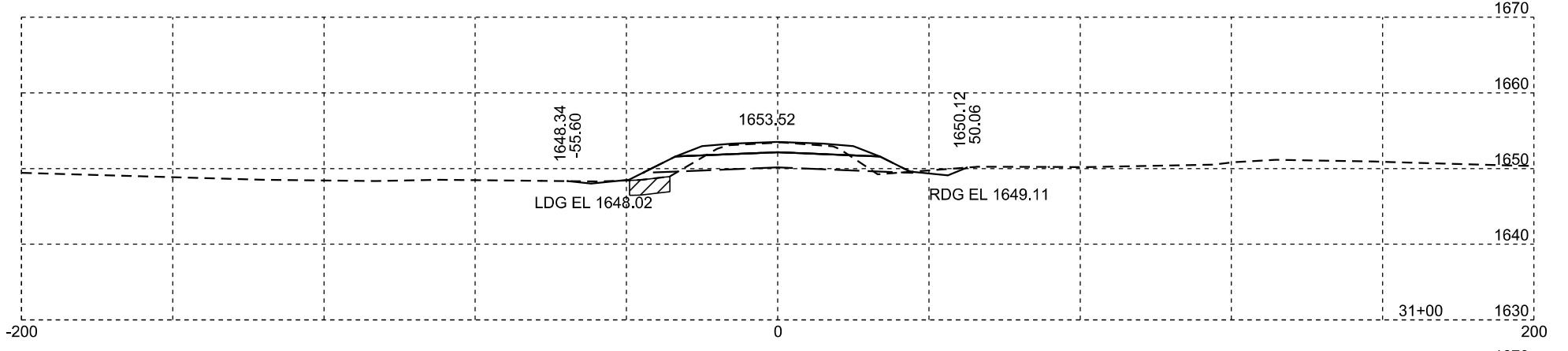
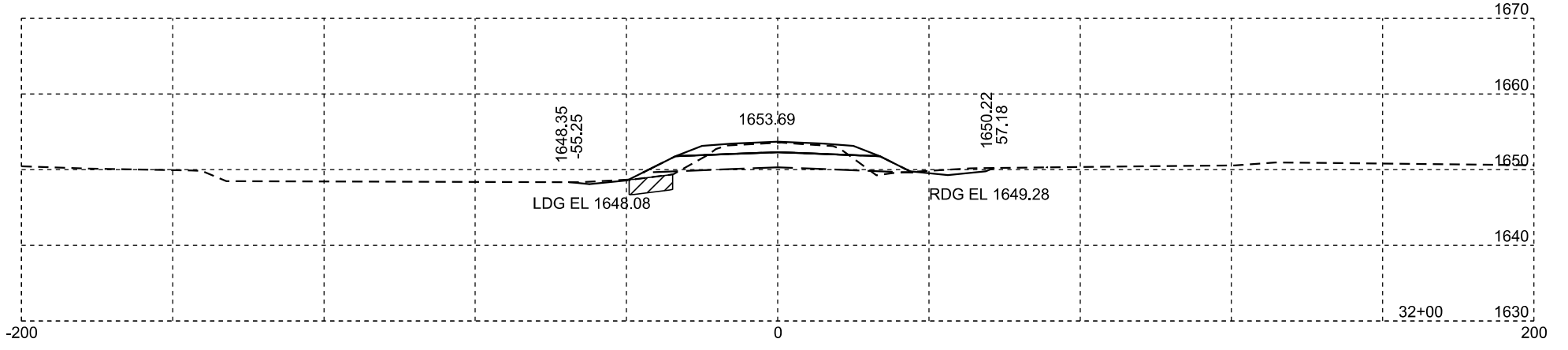
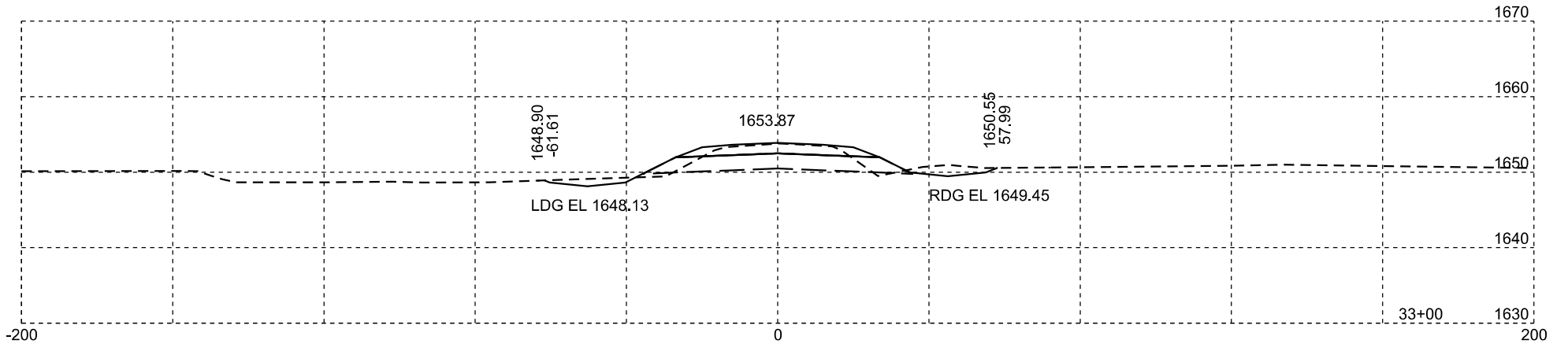
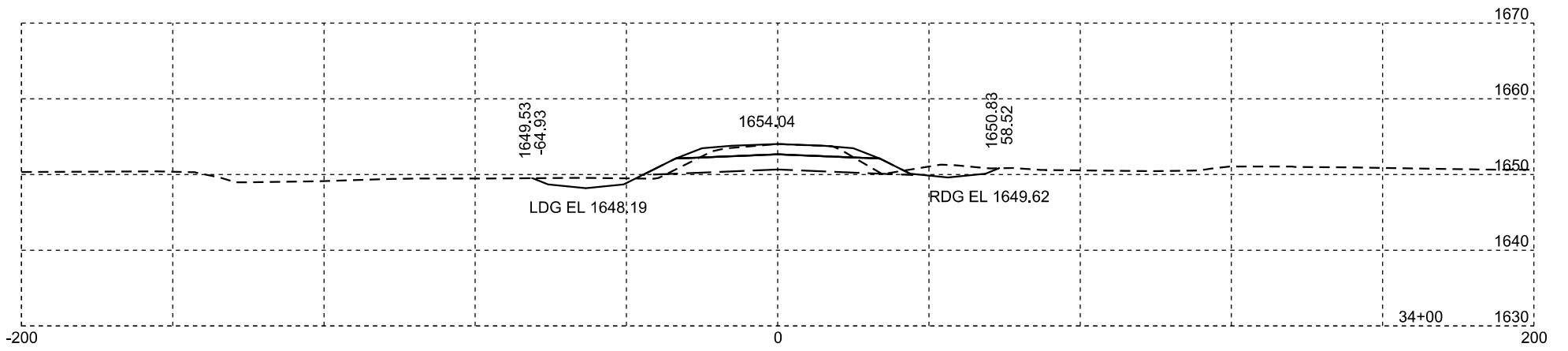
Plotting Date: 10/23/2024

STATE OF SOUTH DAKOTA	PROJECT	SHEET NO.	TOTAL SHEETS
	PH 0028(36)355	X6	X134



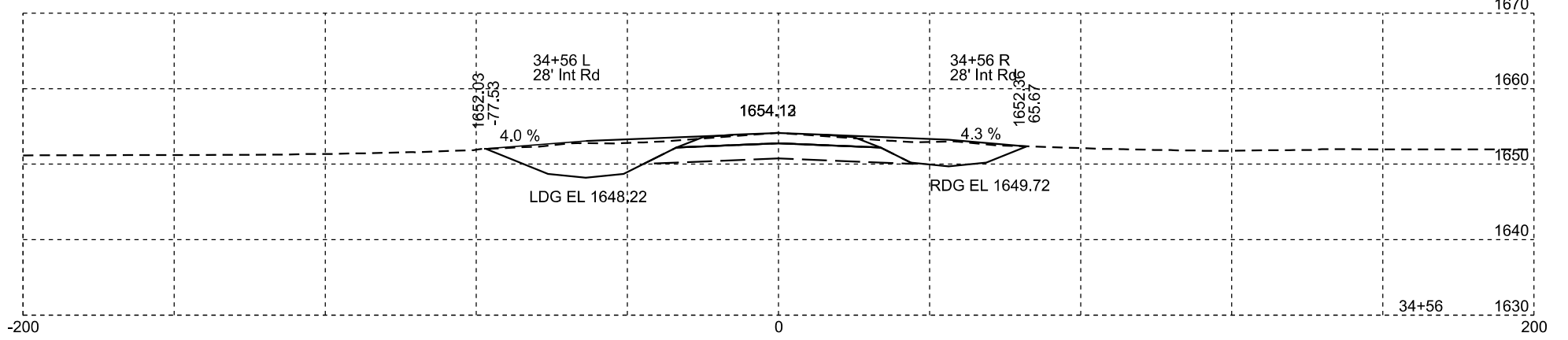
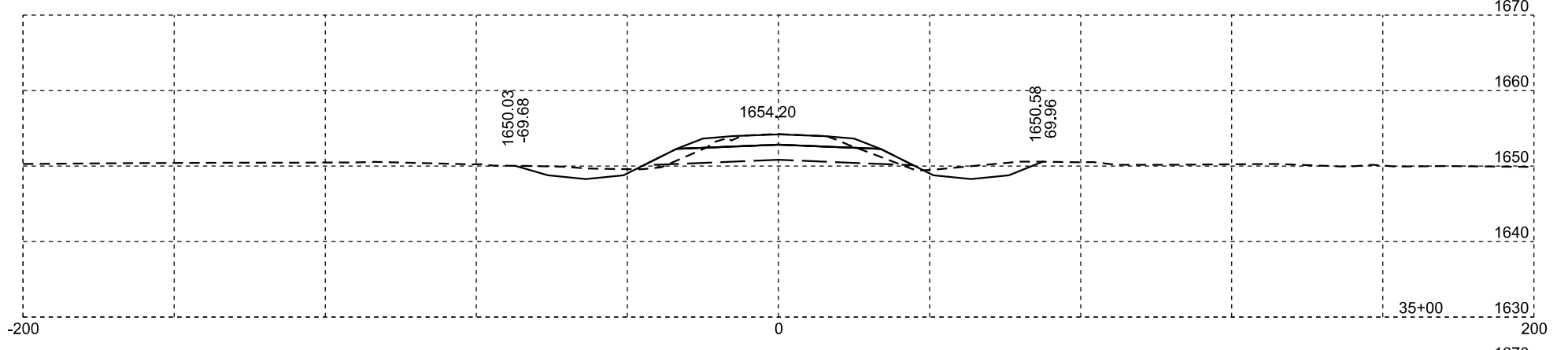
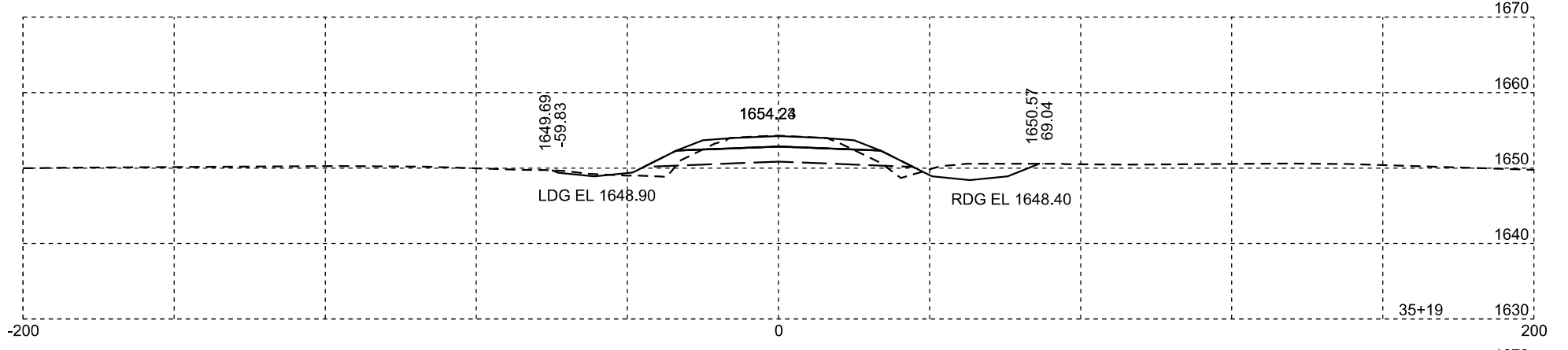
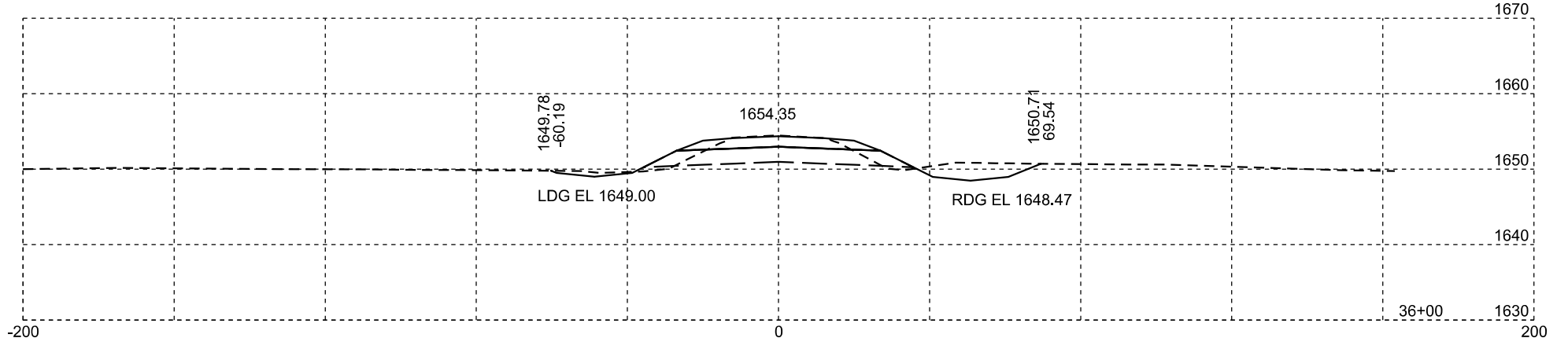
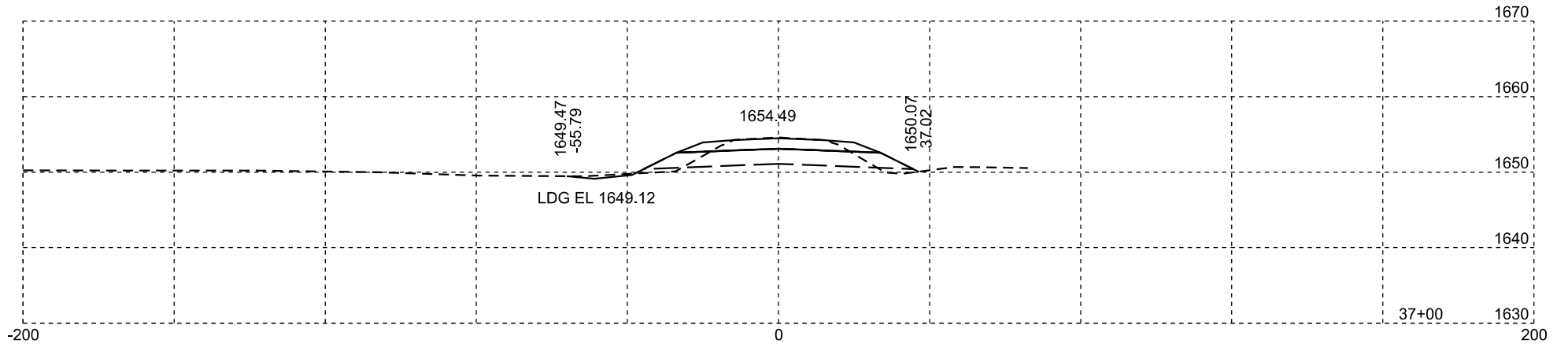
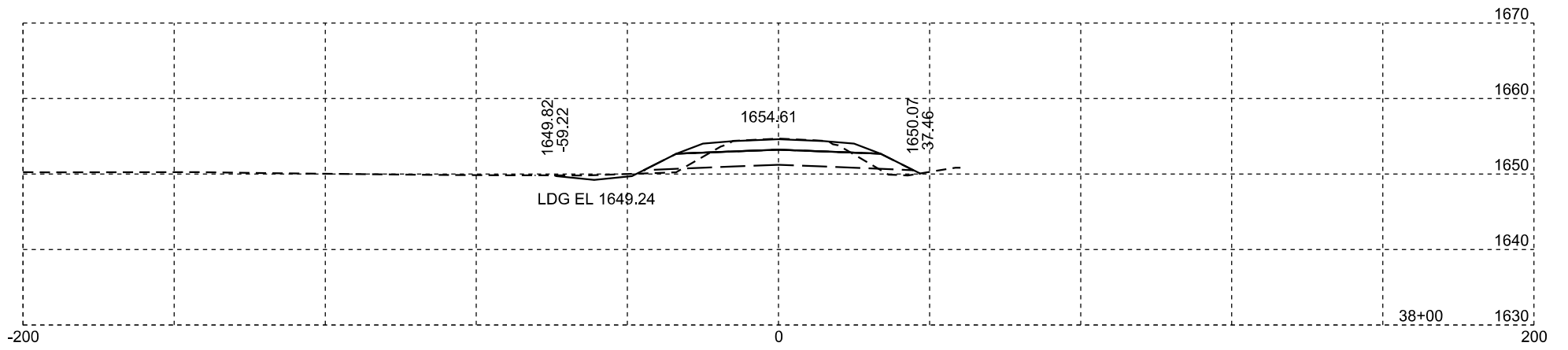
Plotting Date: 10/23/2024

STATE OF SOUTH DAKOTA	PROJECT	SHEET NO.	TOTAL SHEETS
	PH 0028(36)355	X7	X134



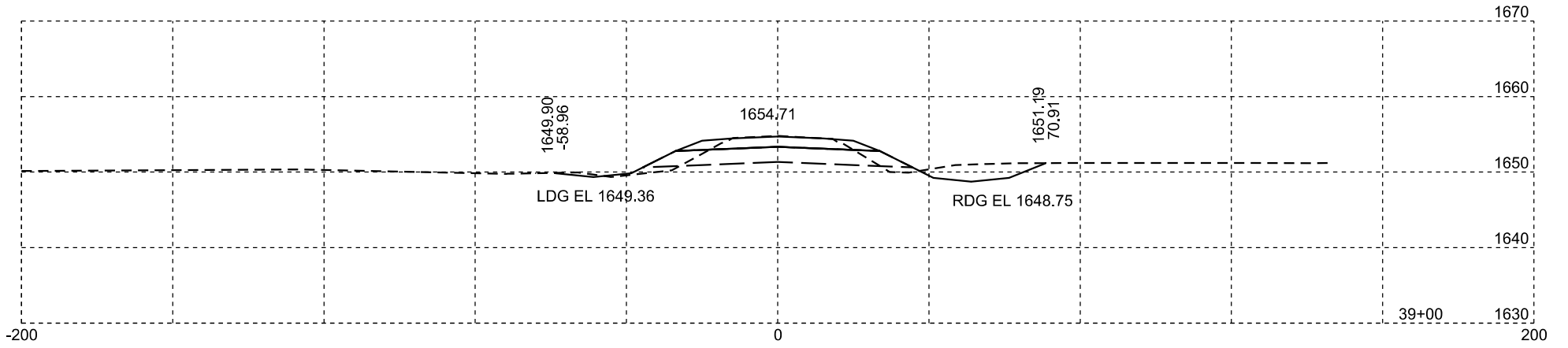
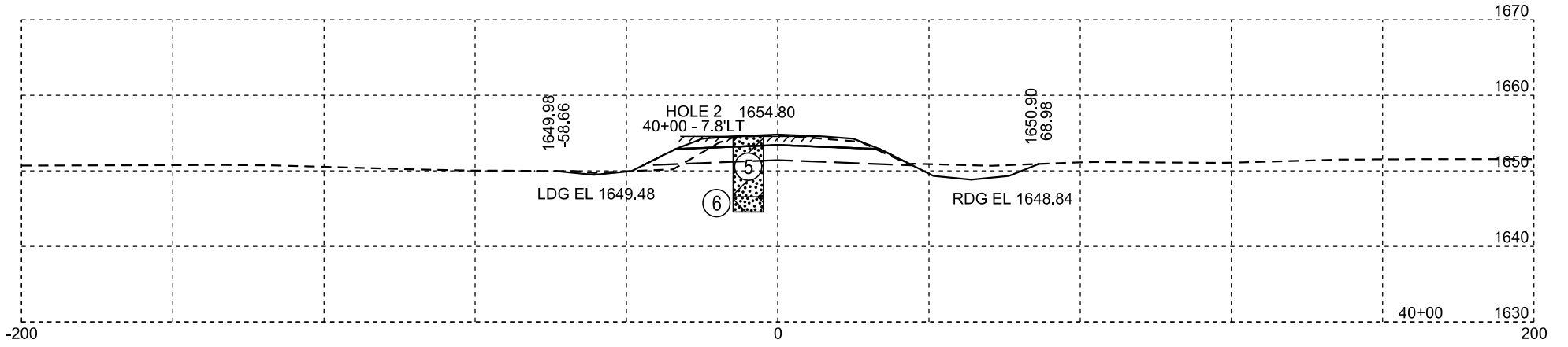
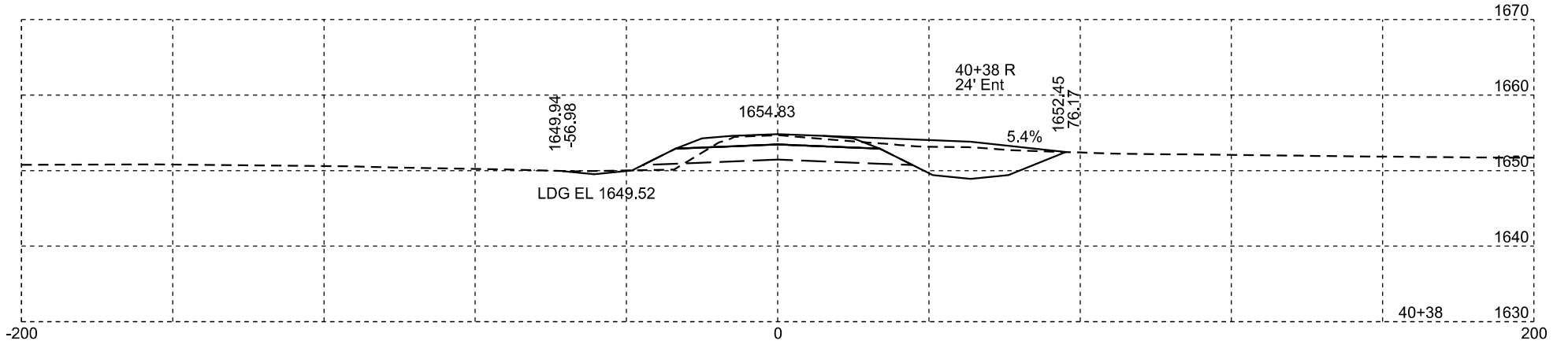
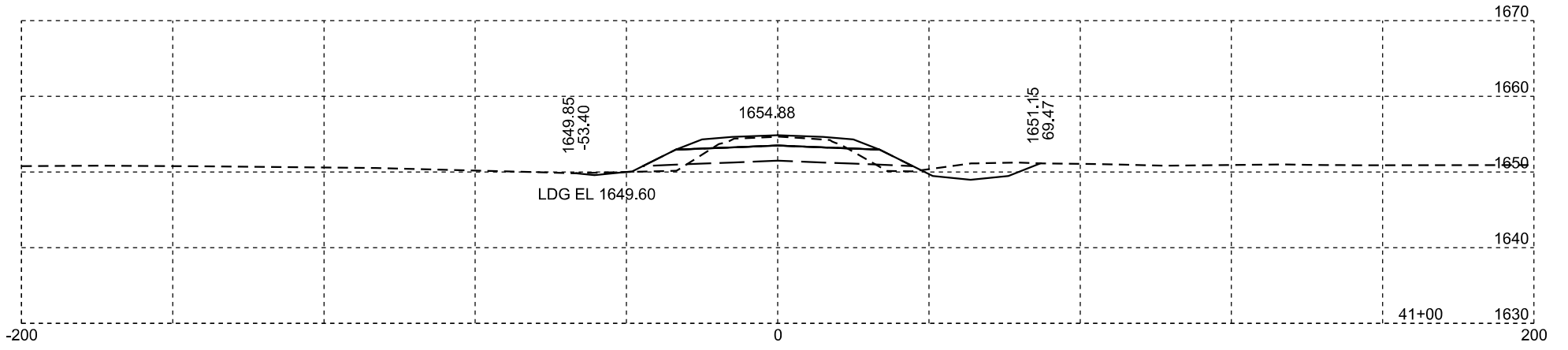
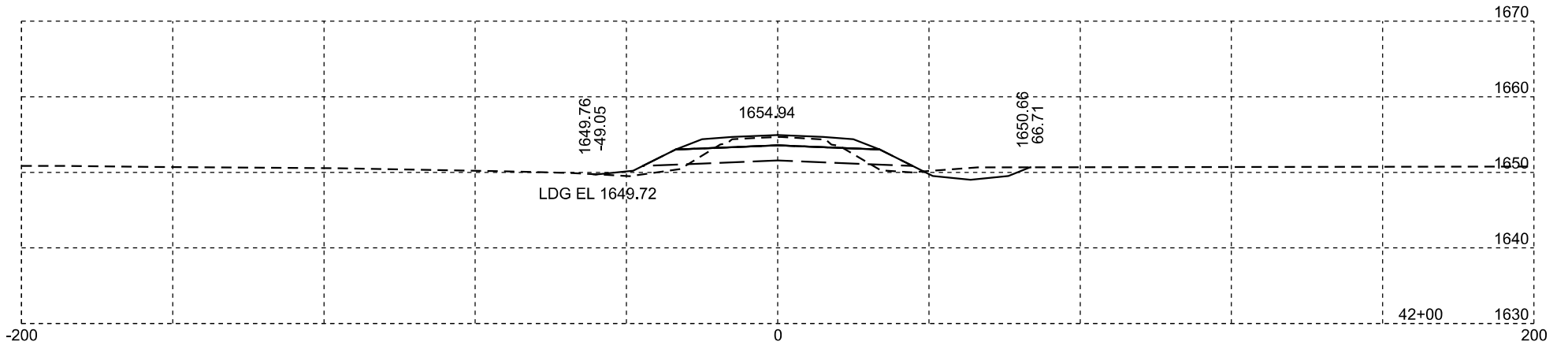
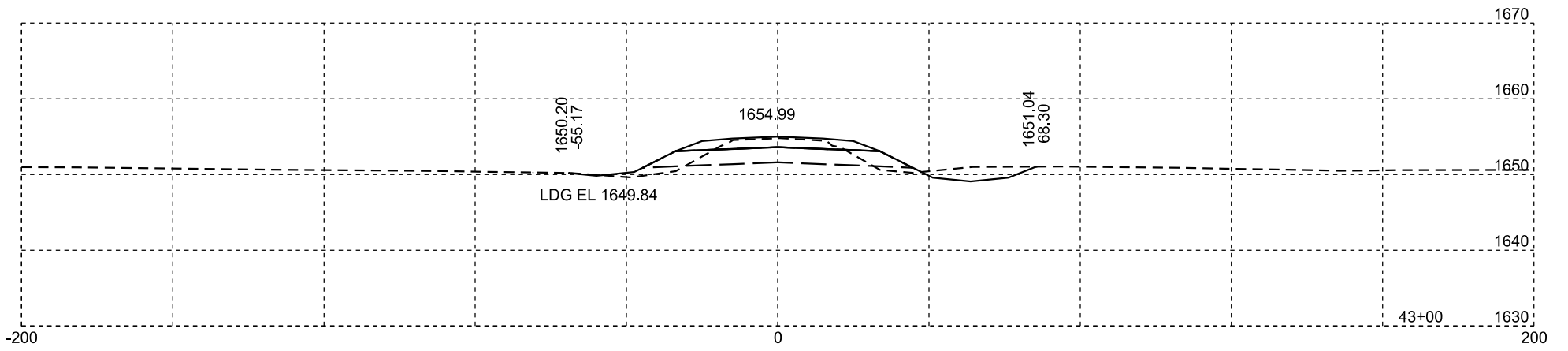
Plotting Date: 10/23/2024

STATE OF SOUTH DAKOTA	PROJECT	SHEET NO.	TOTAL SHEETS
	PH 0028(36)355	X8	X134



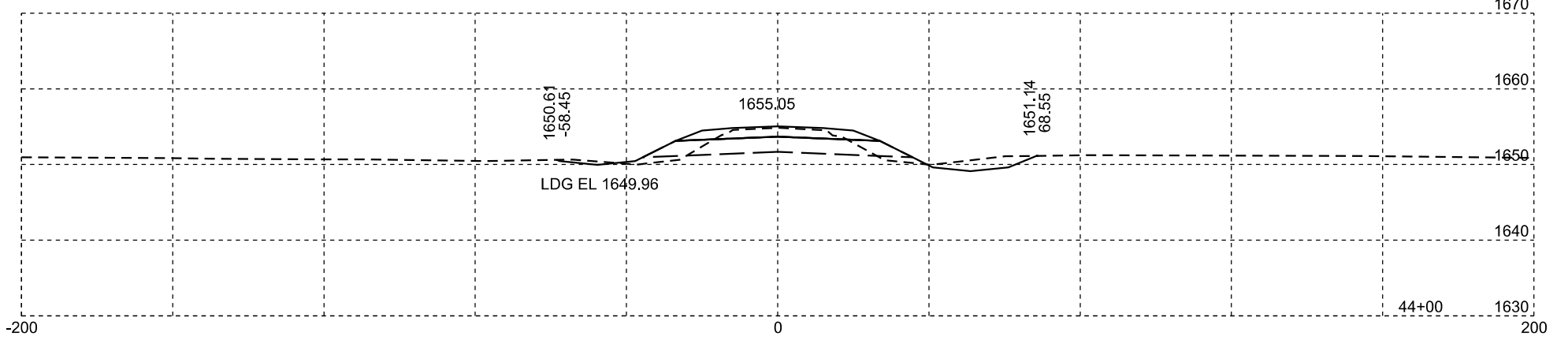
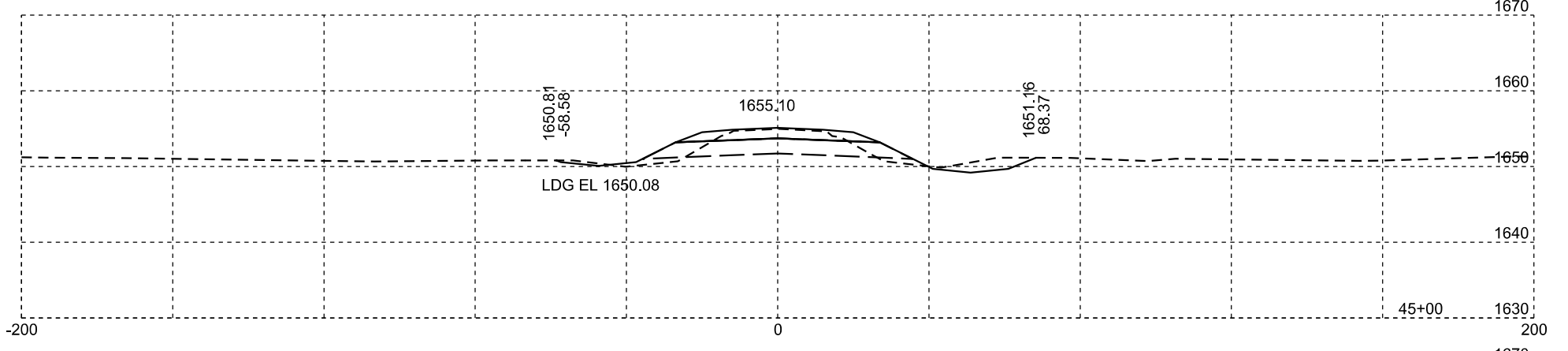
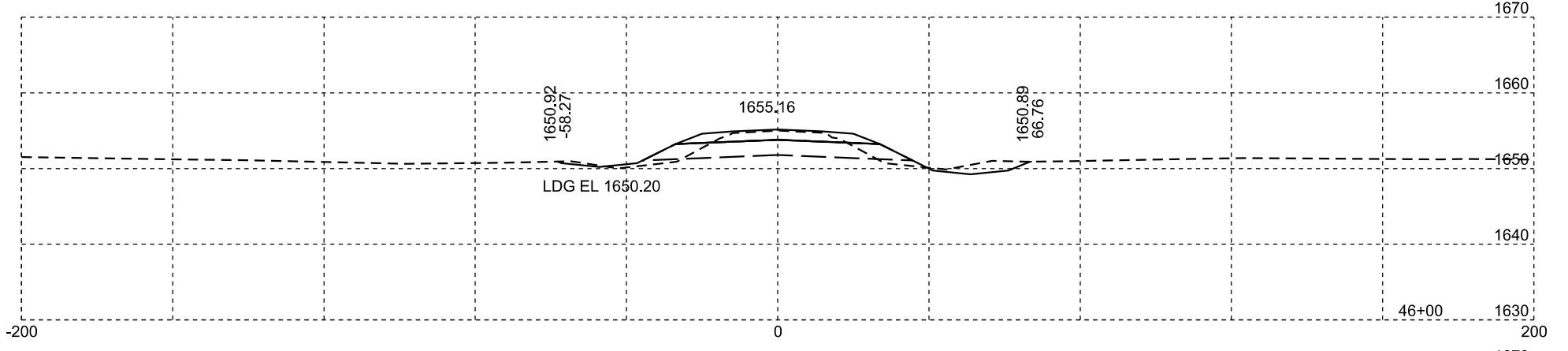
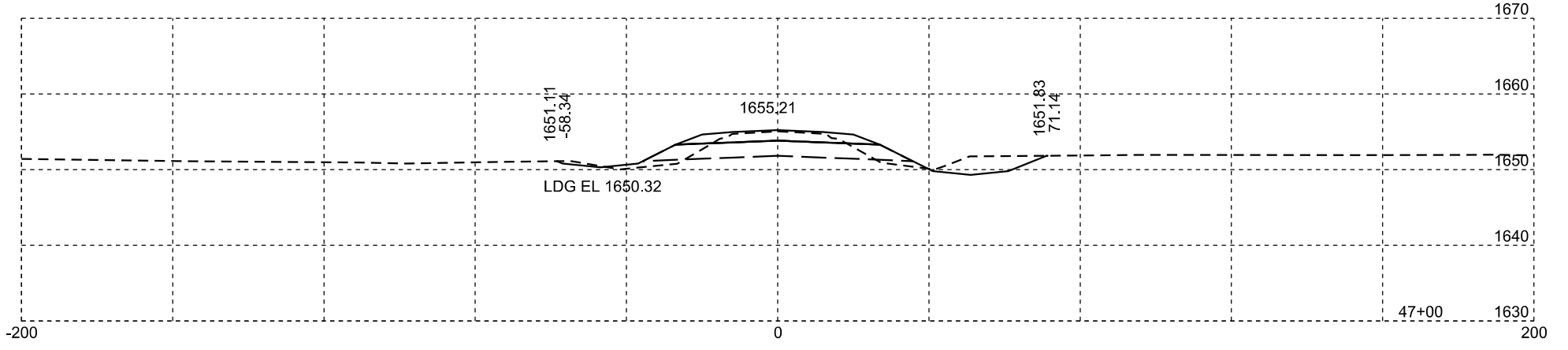
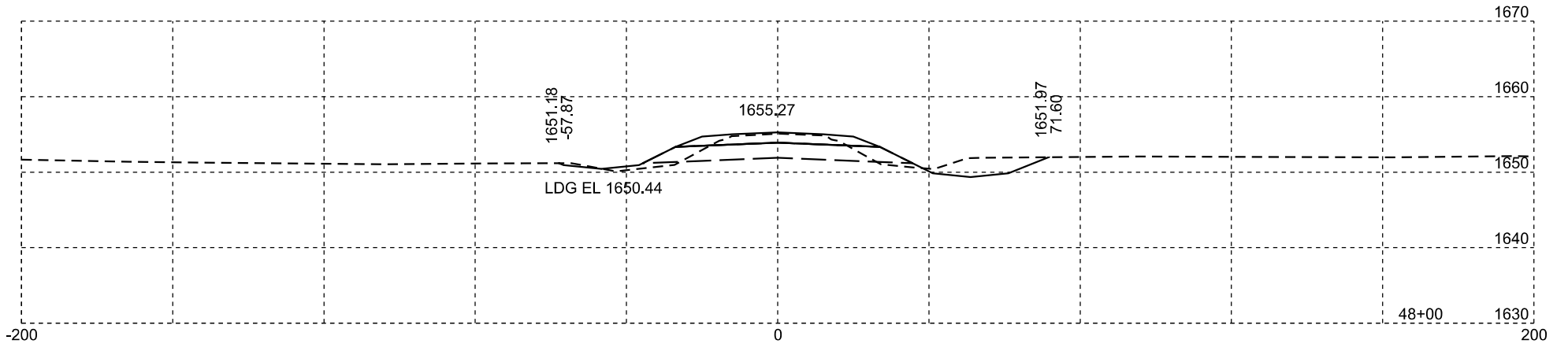
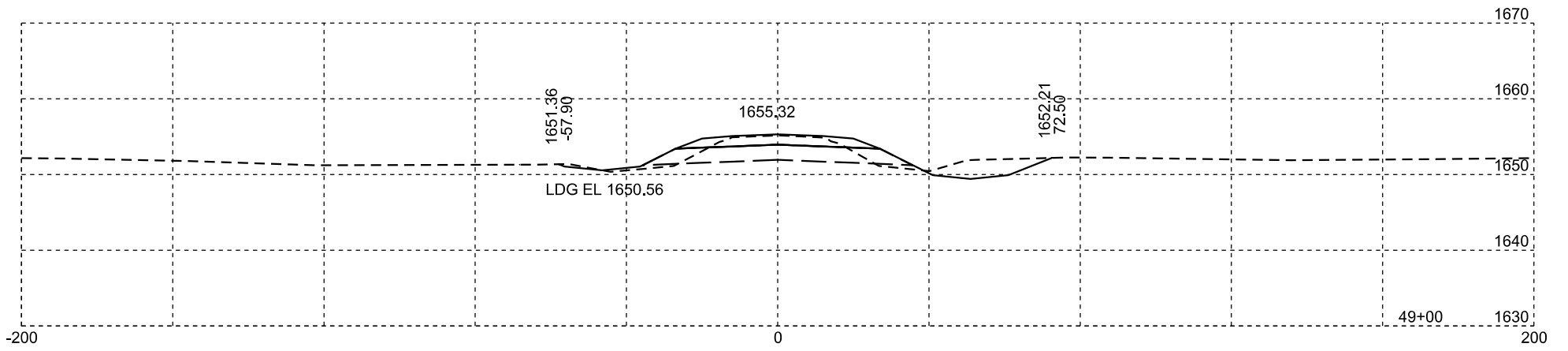
Plotting Date: 10/23/2024

STATE OF SOUTH DAKOTA	PROJECT	SHEET NO.	TOTAL SHEETS
	PH 0028(36)355	X9	X134



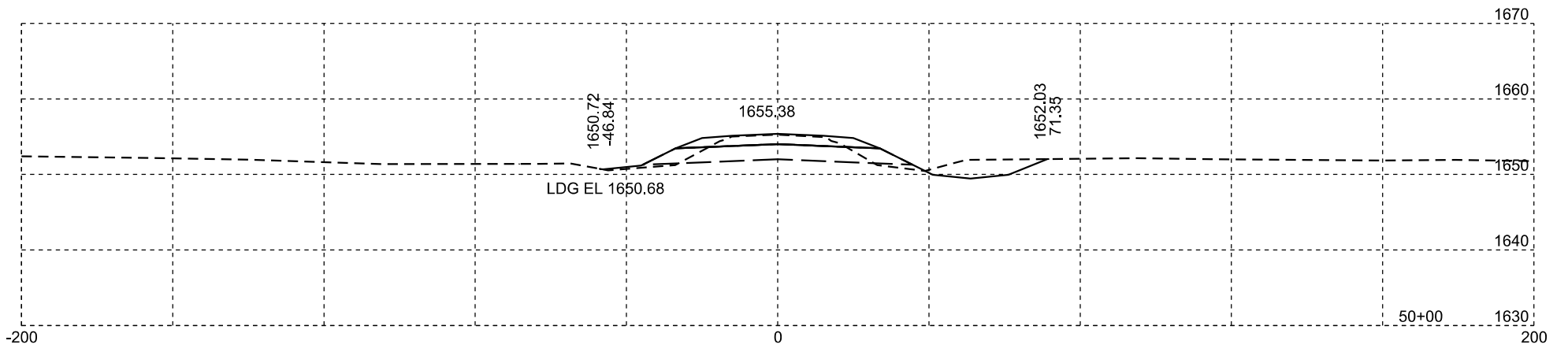
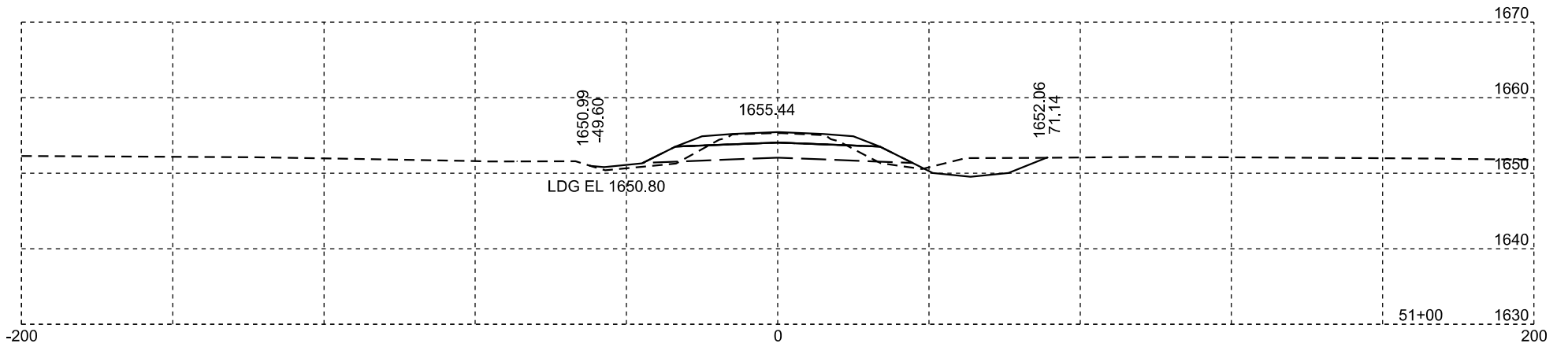
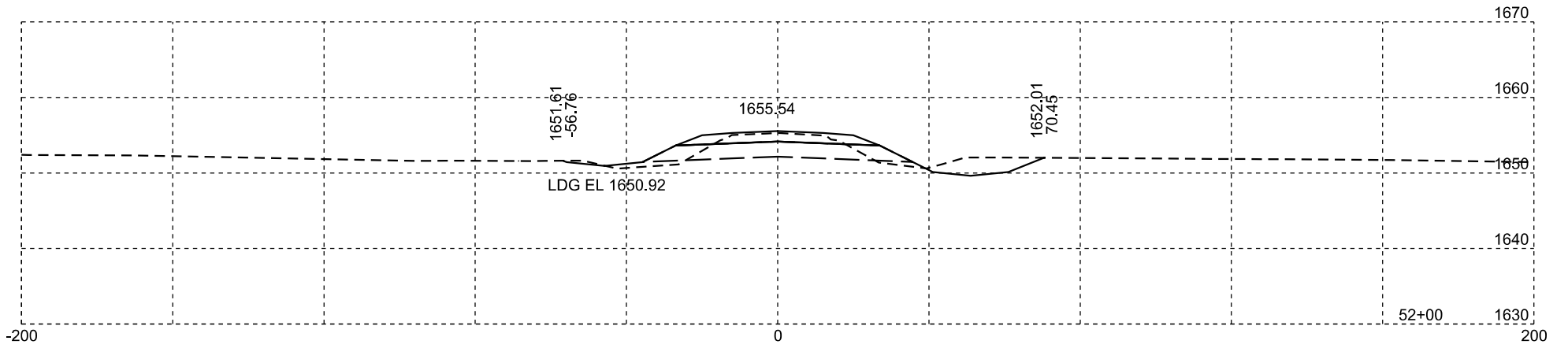
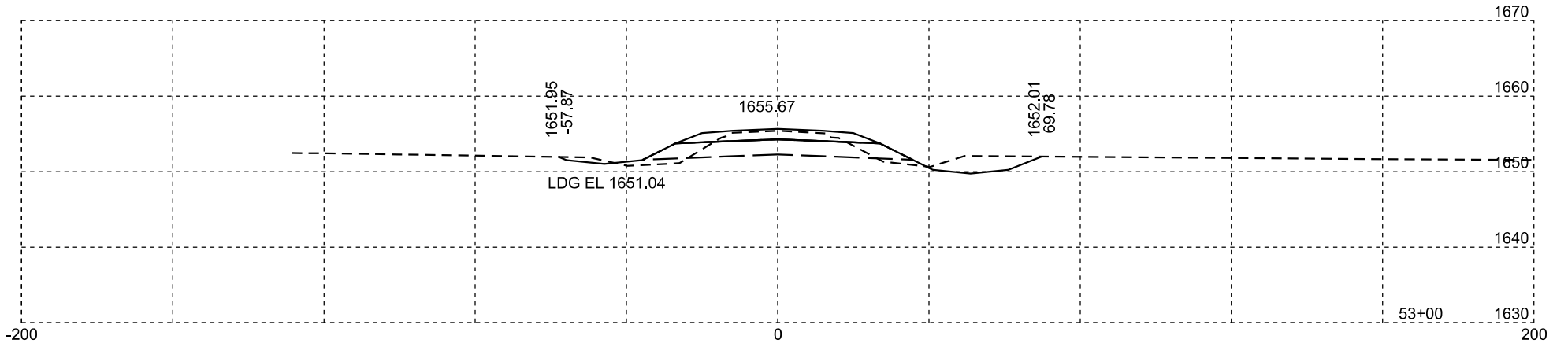
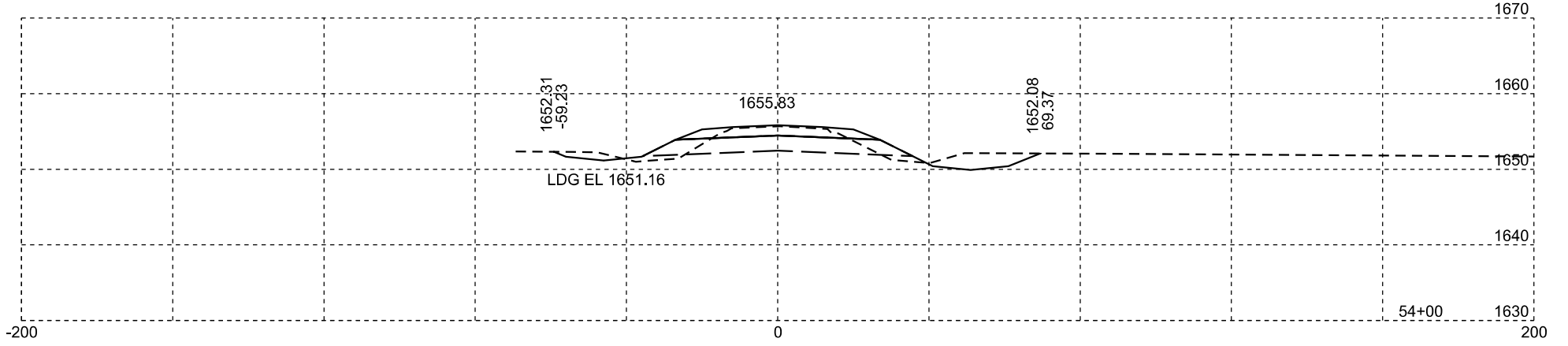
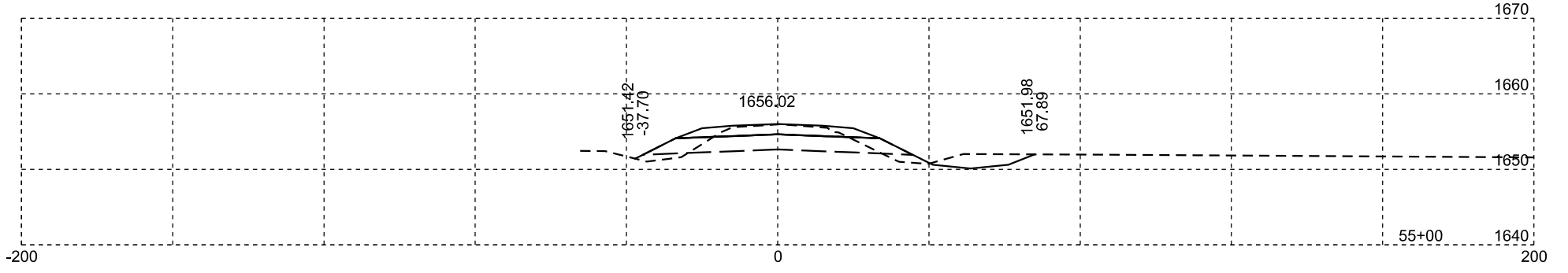
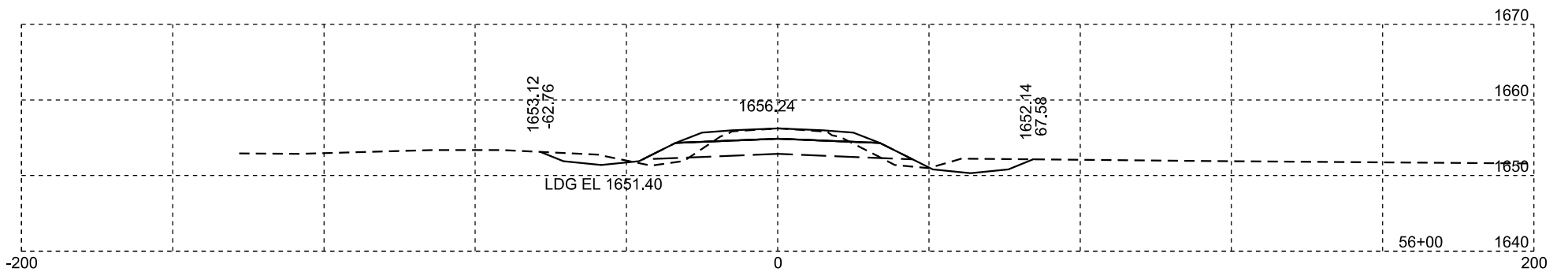
Plotting Date: 10/23/2024

STATE OF SOUTH DAKOTA	PROJECT	SHEET NO.	TOTAL SHEETS
	PH 0028(36)355	X10	X134



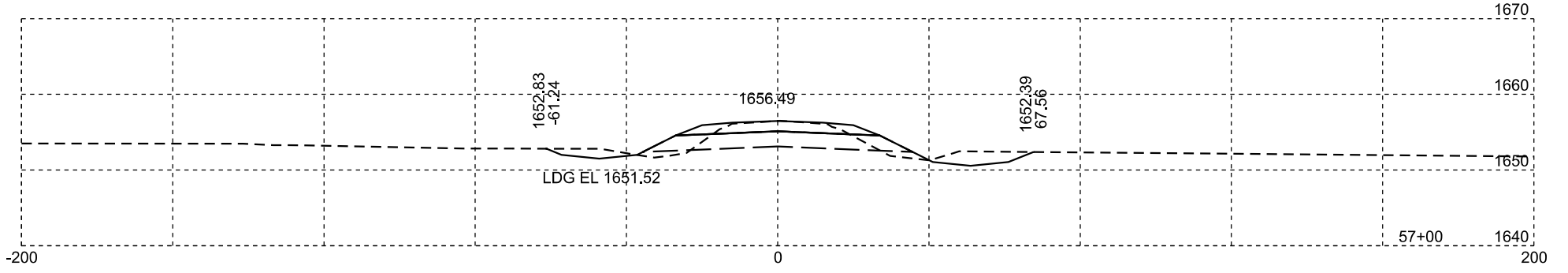
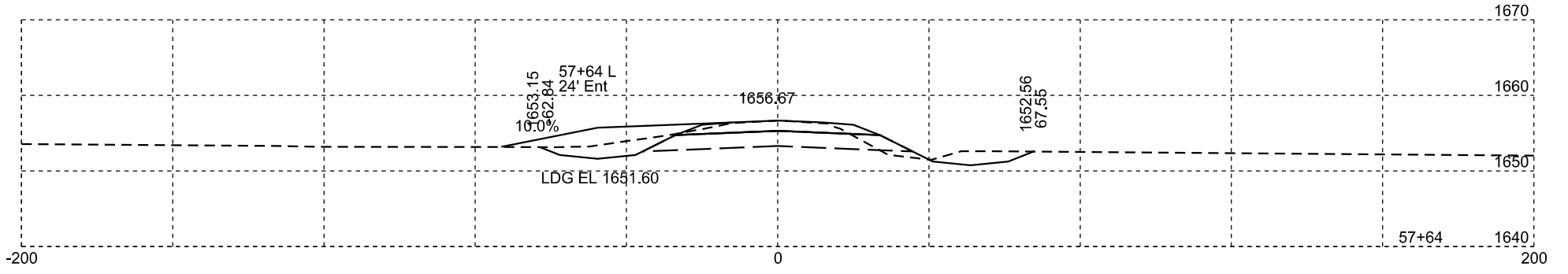
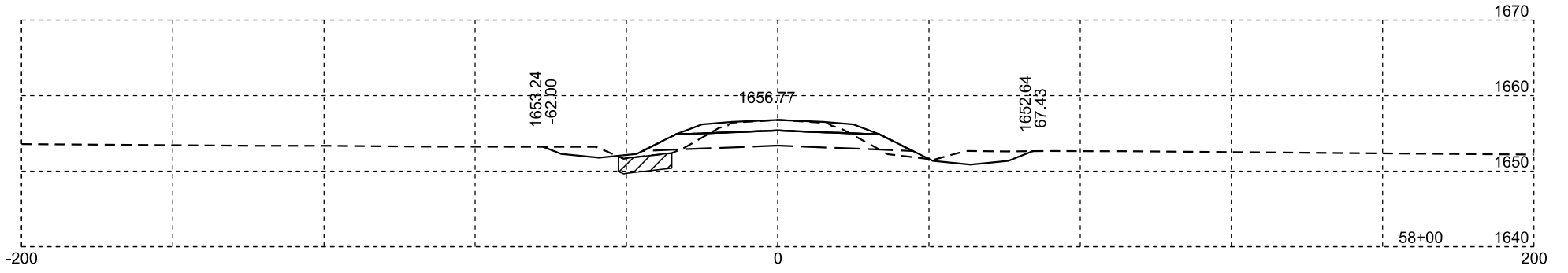
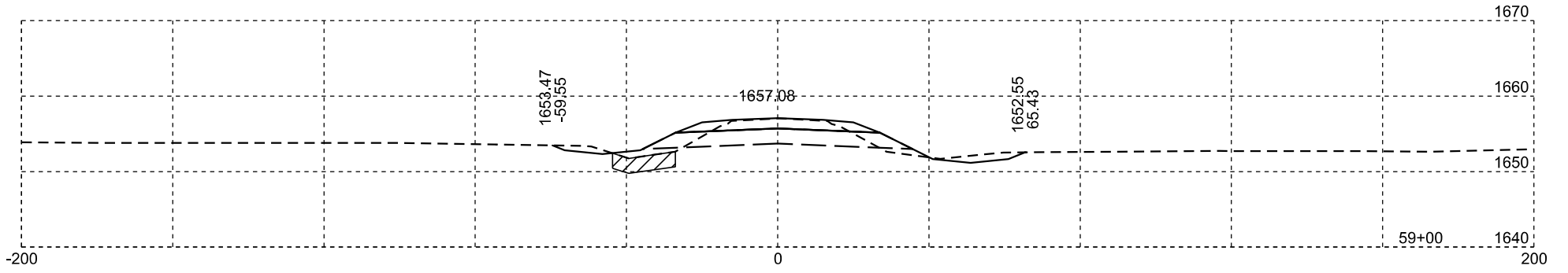
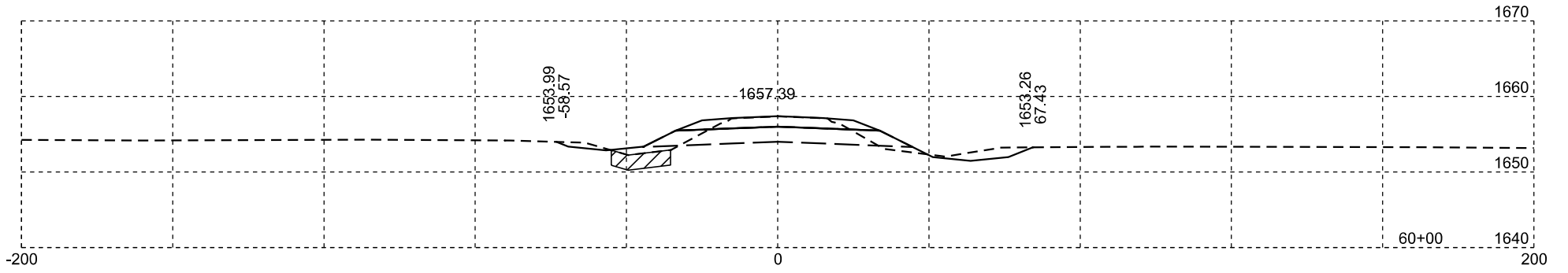
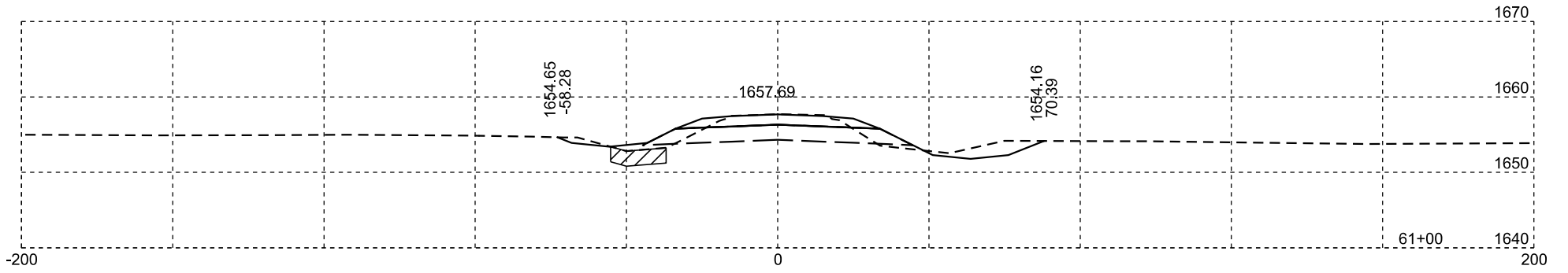
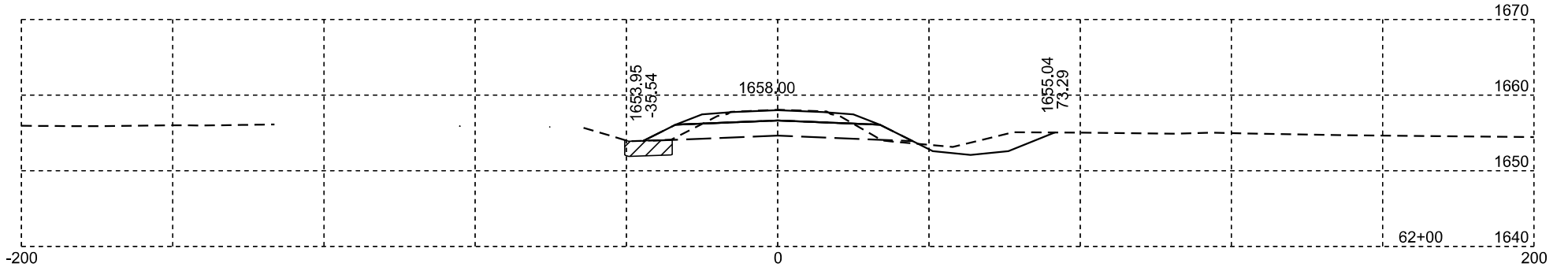
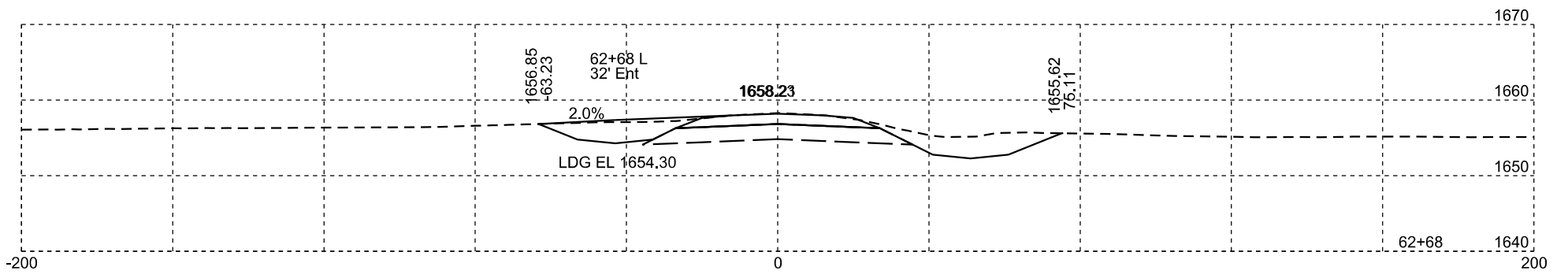
Plotting Date: 10/23/2024

STATE OF SOUTH DAKOTA	PROJECT	SHEET NO.	TOTAL SHEETS
	PH 0028(36)355	X11	X134



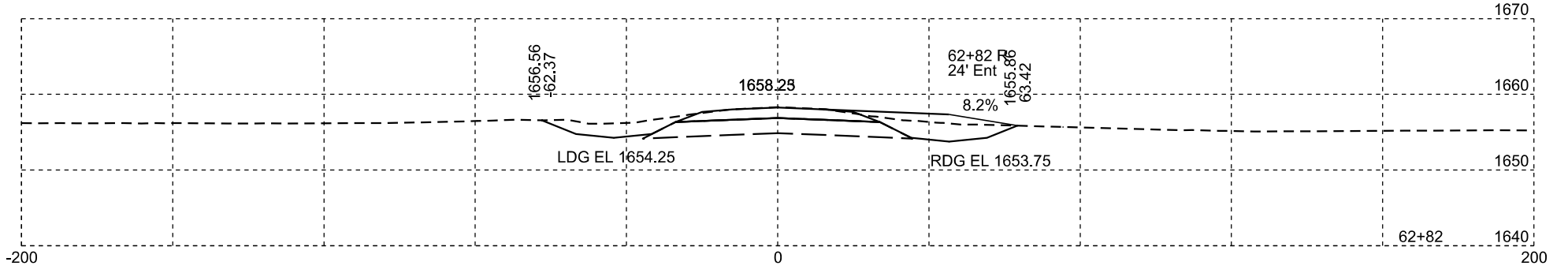
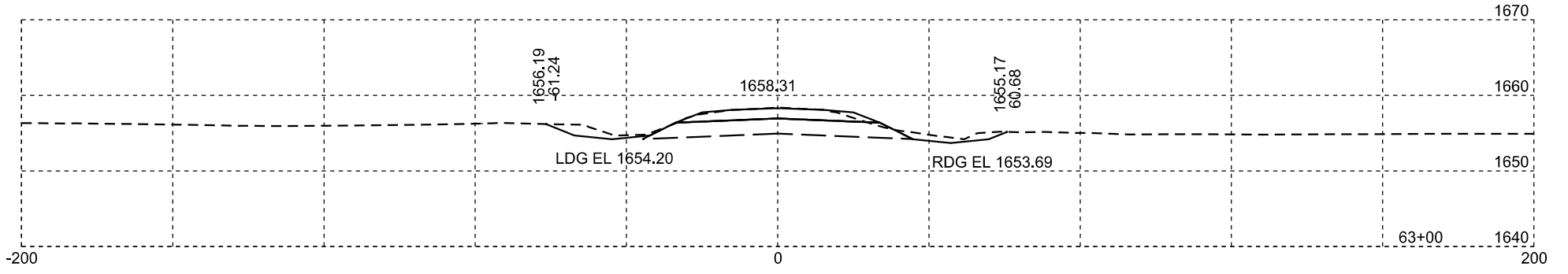
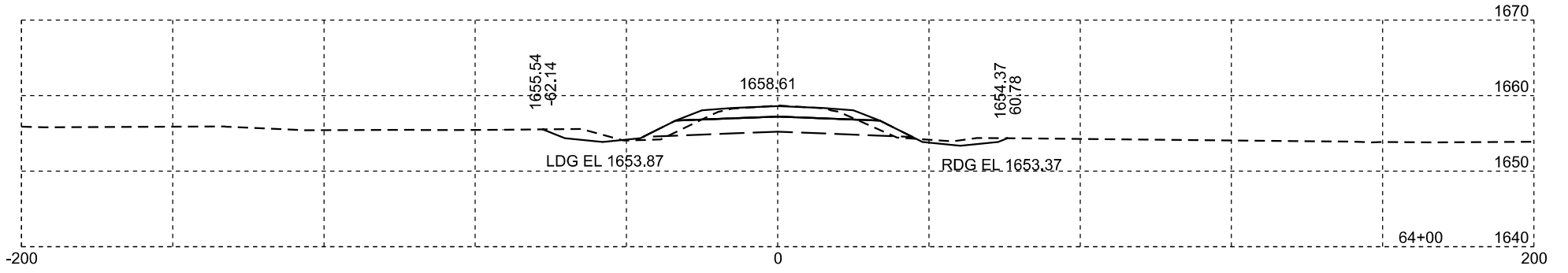
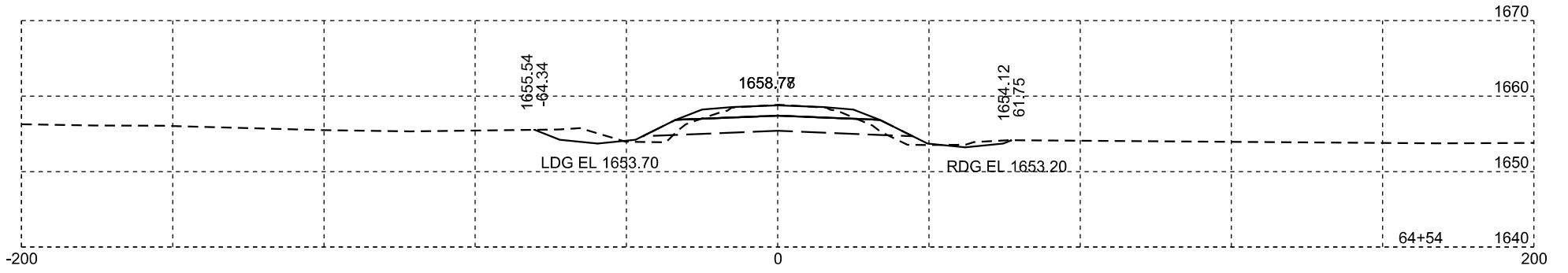
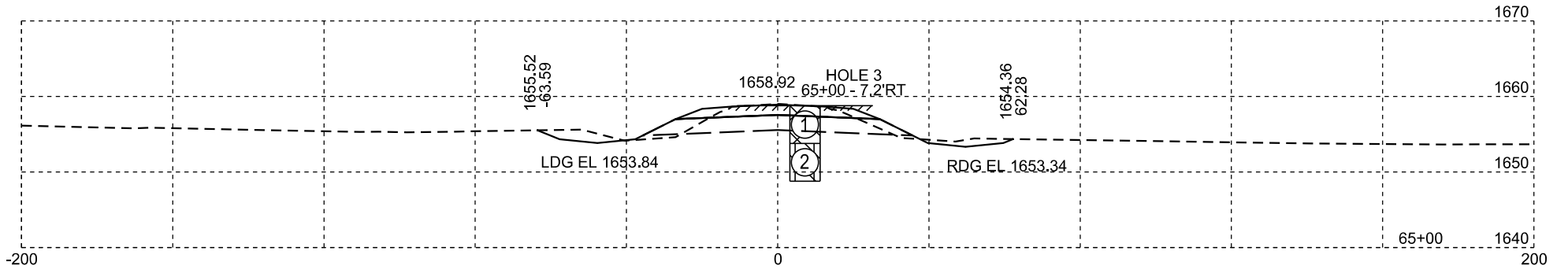
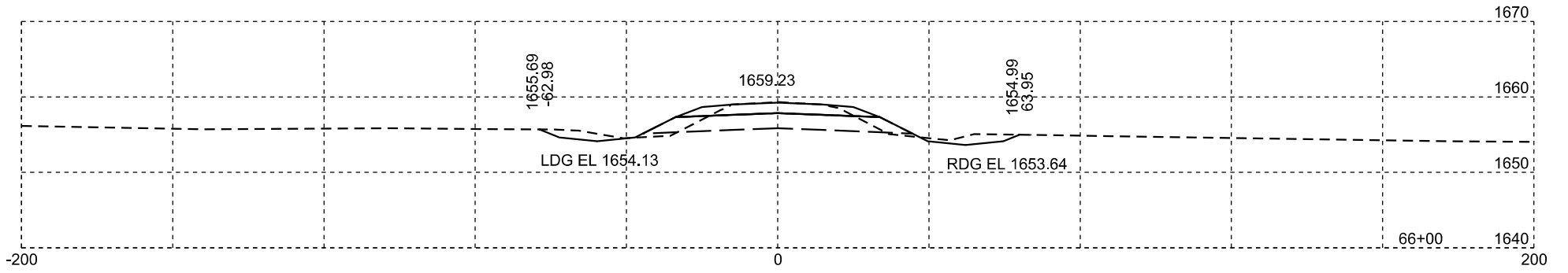
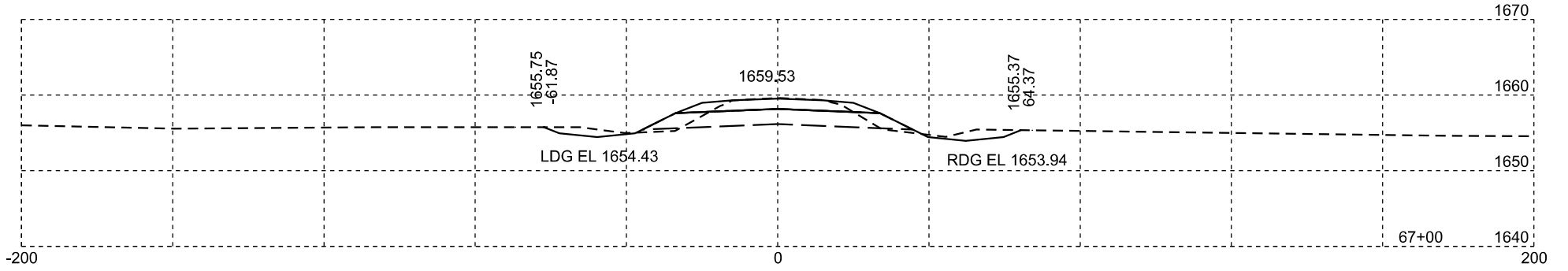
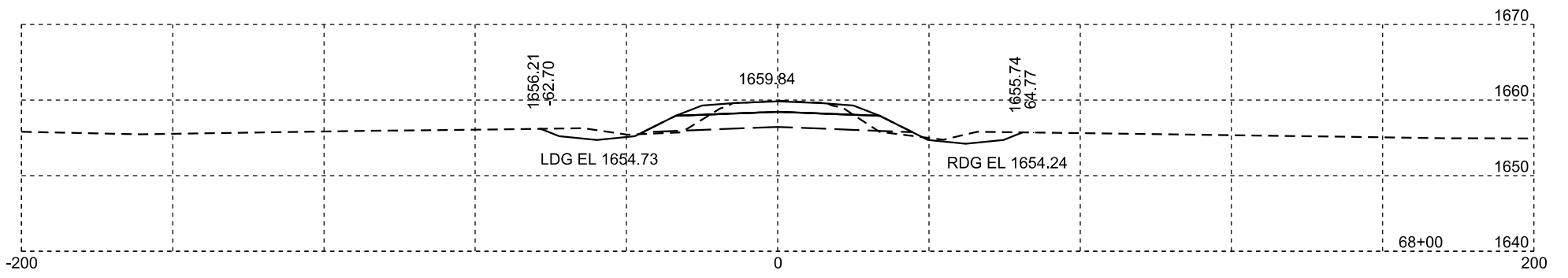
Plotting Date: 10/23/2024

STATE OF SOUTH DAKOTA	PROJECT	SHEET NO.	TOTAL SHEETS
	PH 0028(36)355	X12	X134



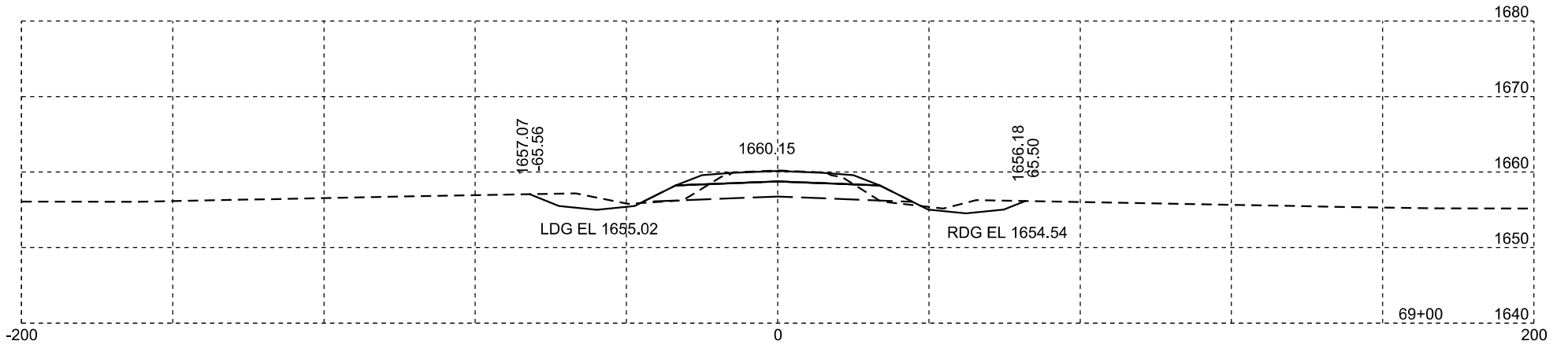
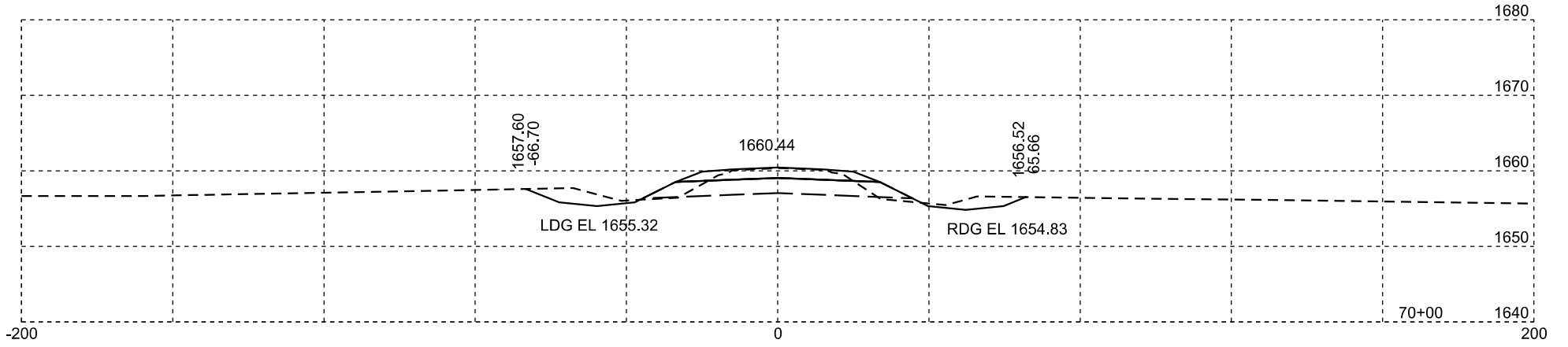
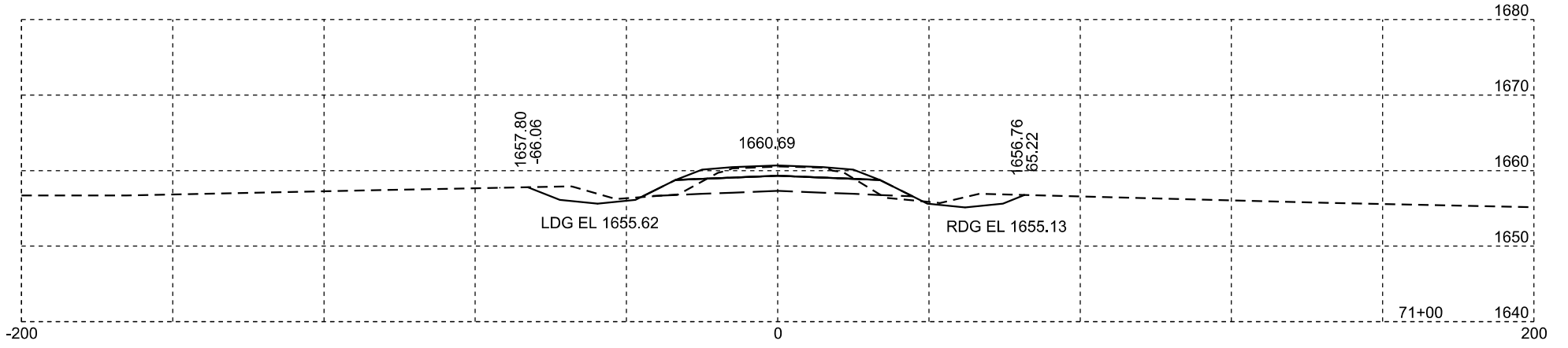
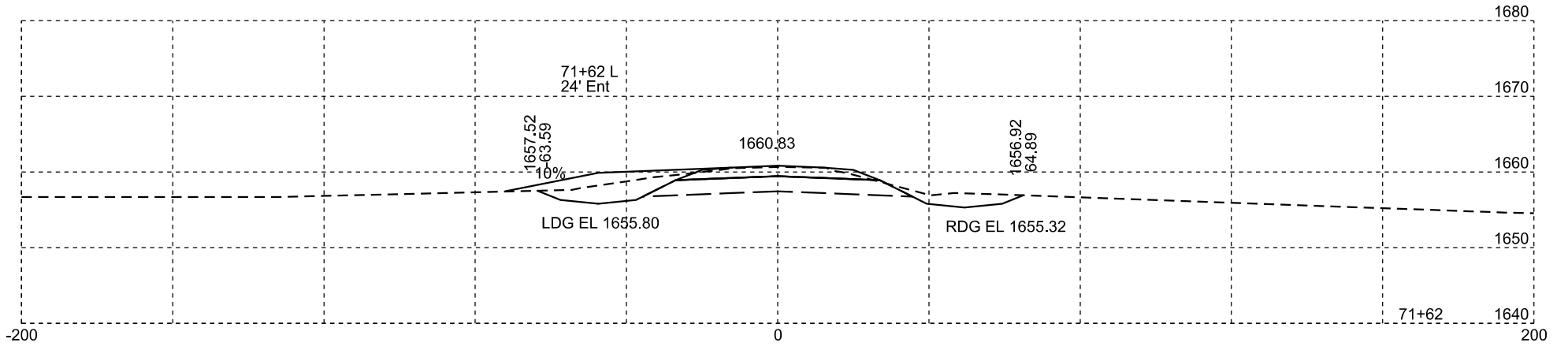
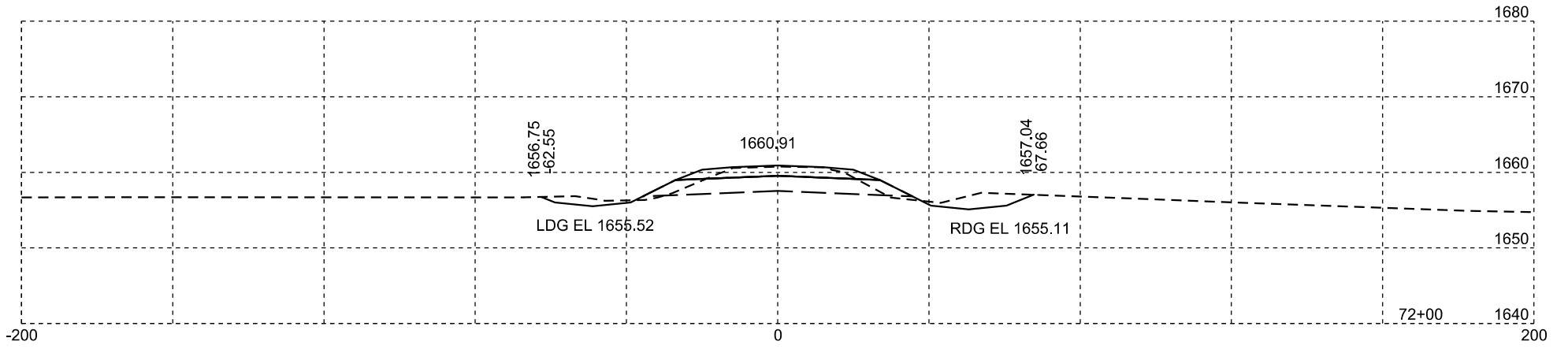
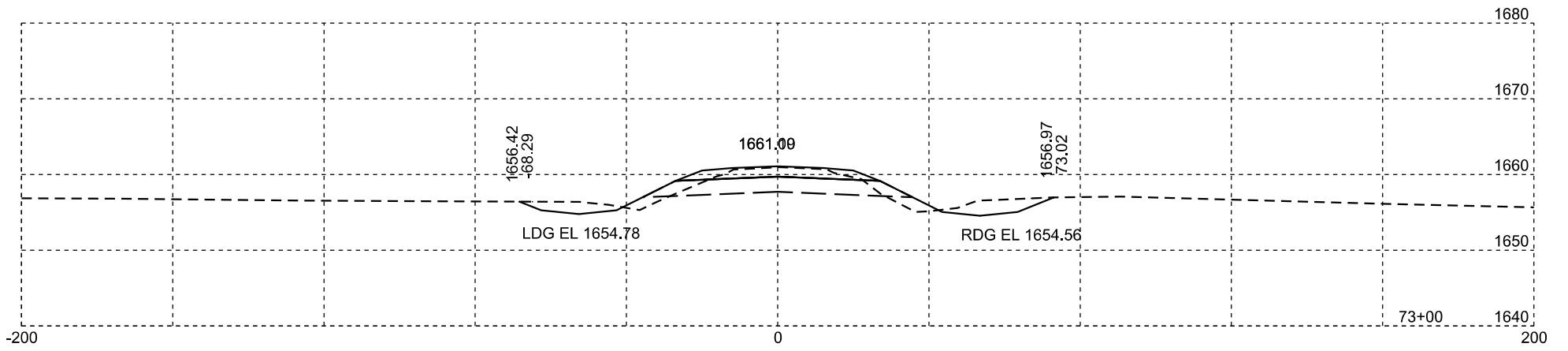
Plotting Date: 10/23/2024

STATE OF SOUTH DAKOTA	PROJECT	SHEET NO.	TOTAL SHEETS
	PH 0028(36)355	X13	X134



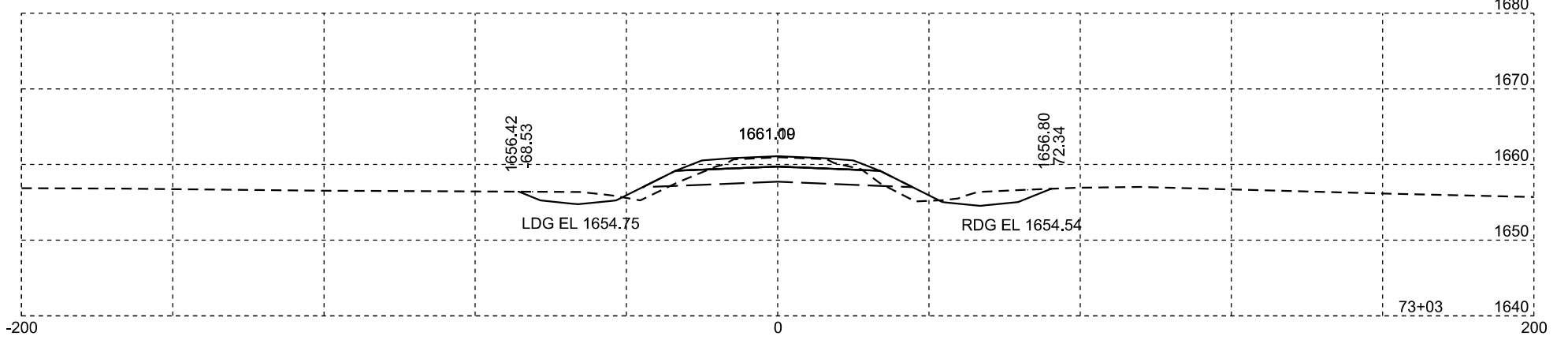
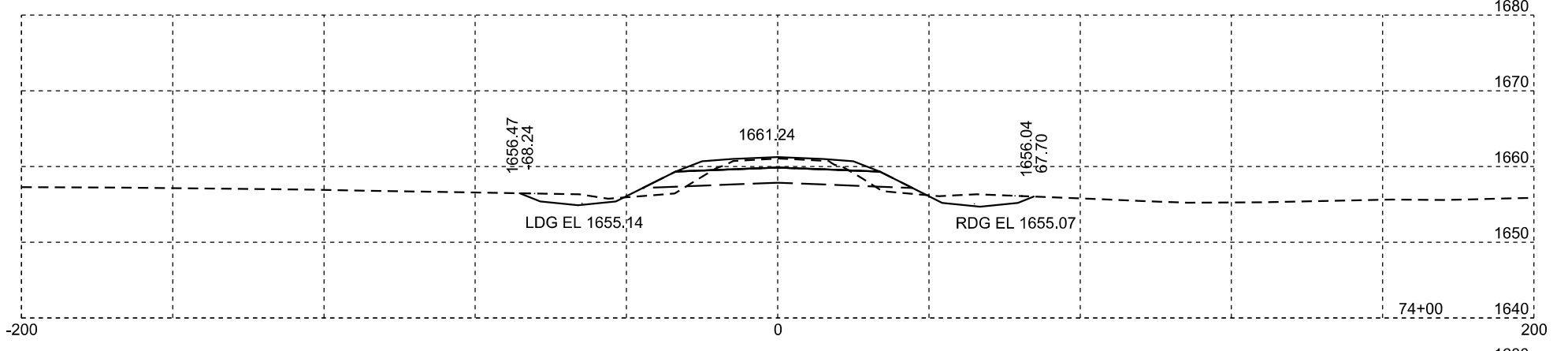
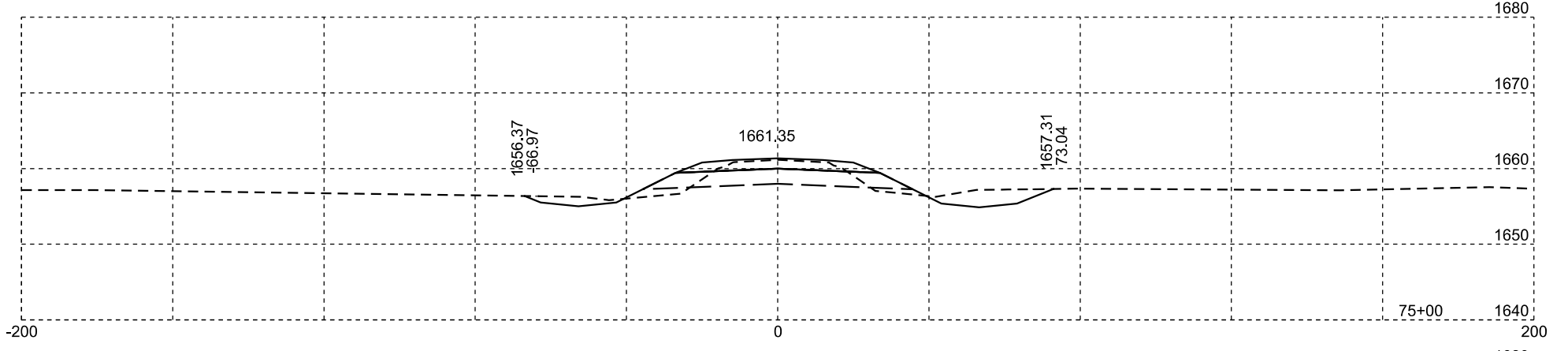
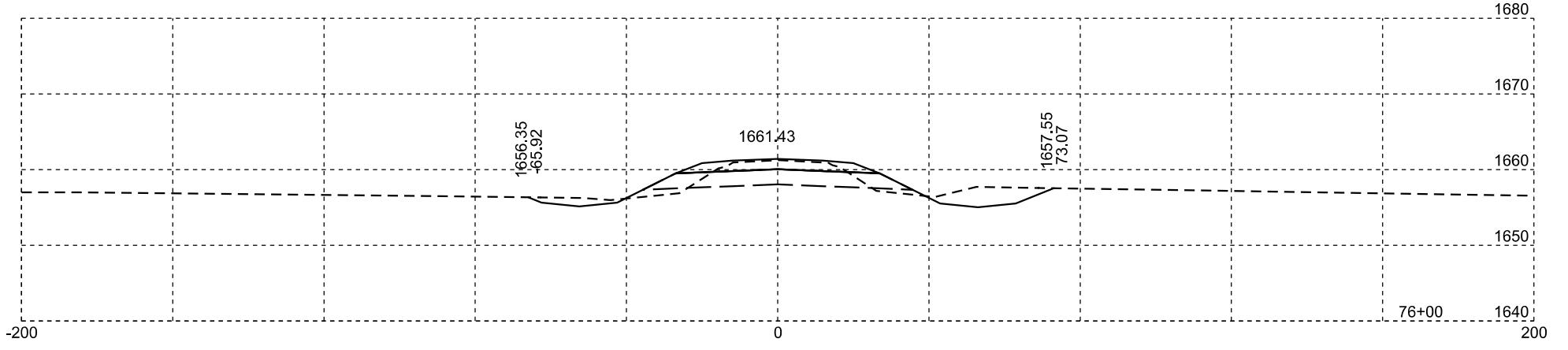
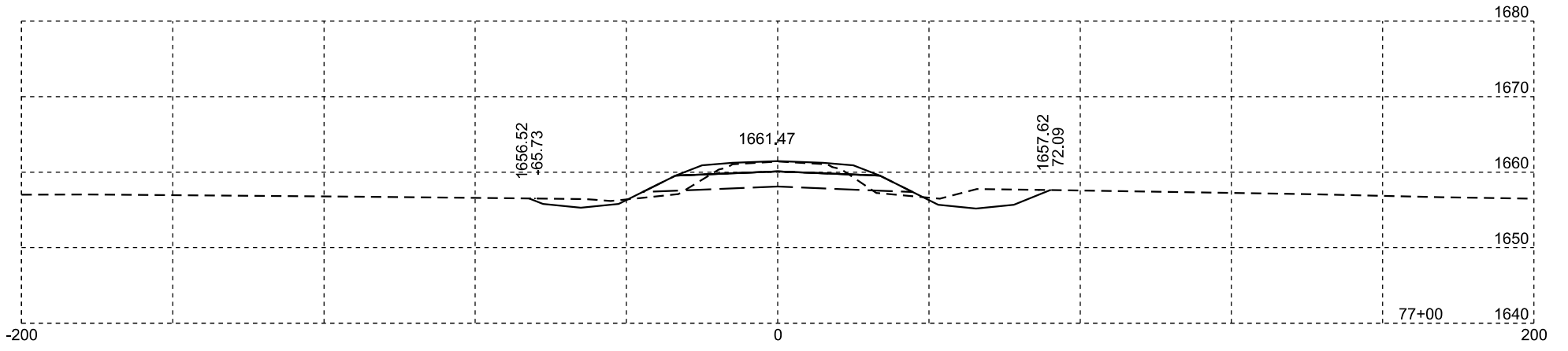
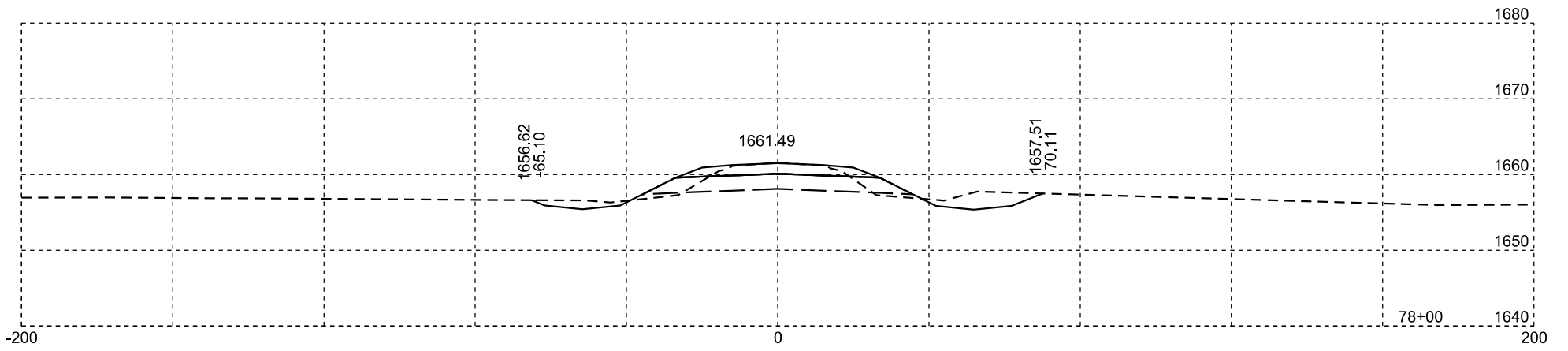
Plotting Date: 10/23/2024

STATE OF SOUTH DAKOTA	PROJECT	SHEET NO.	TOTAL SHEETS
	PH 0028(36)355	X14	X134



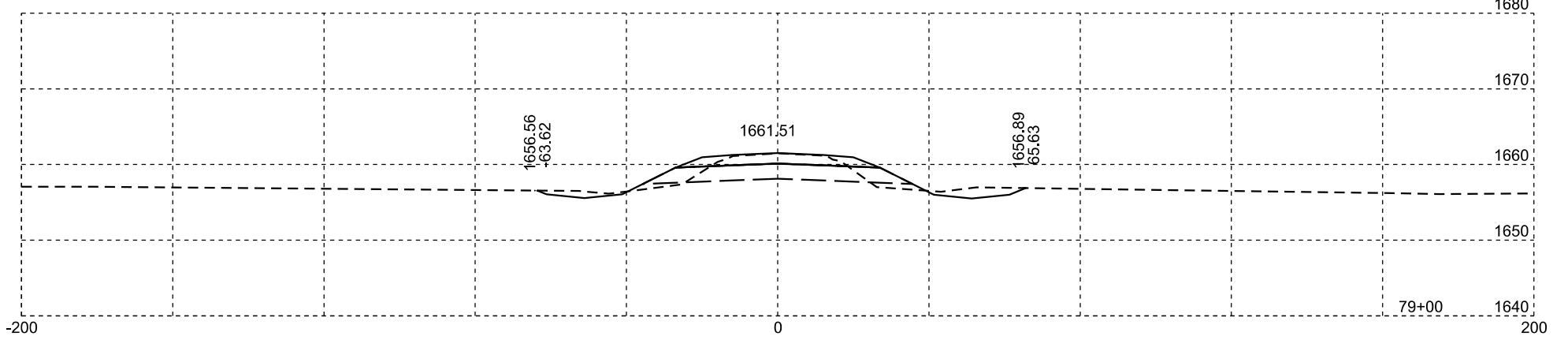
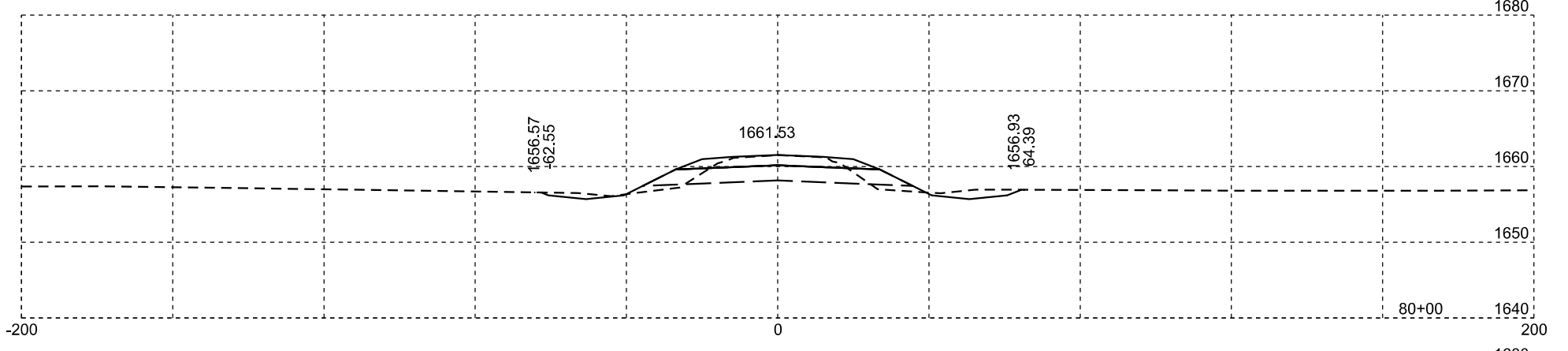
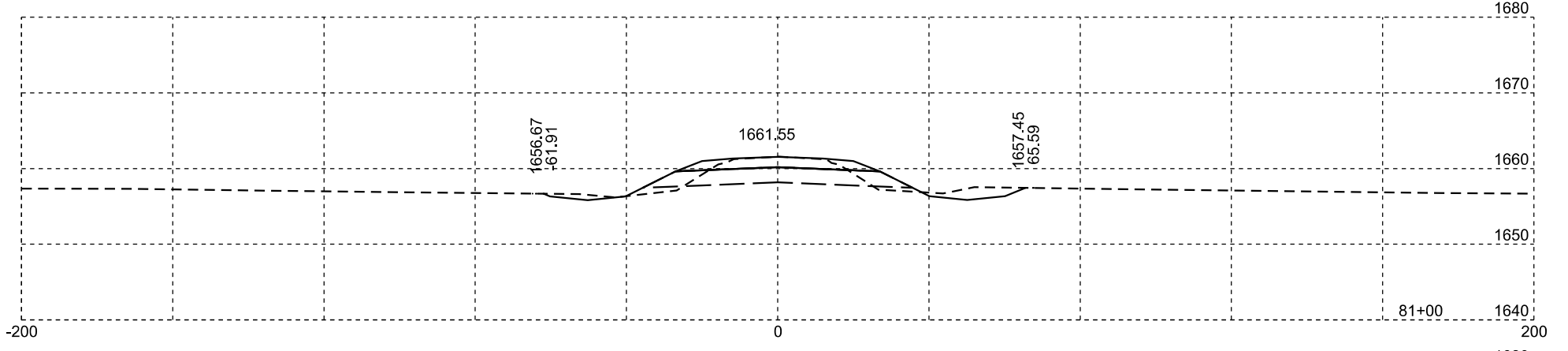
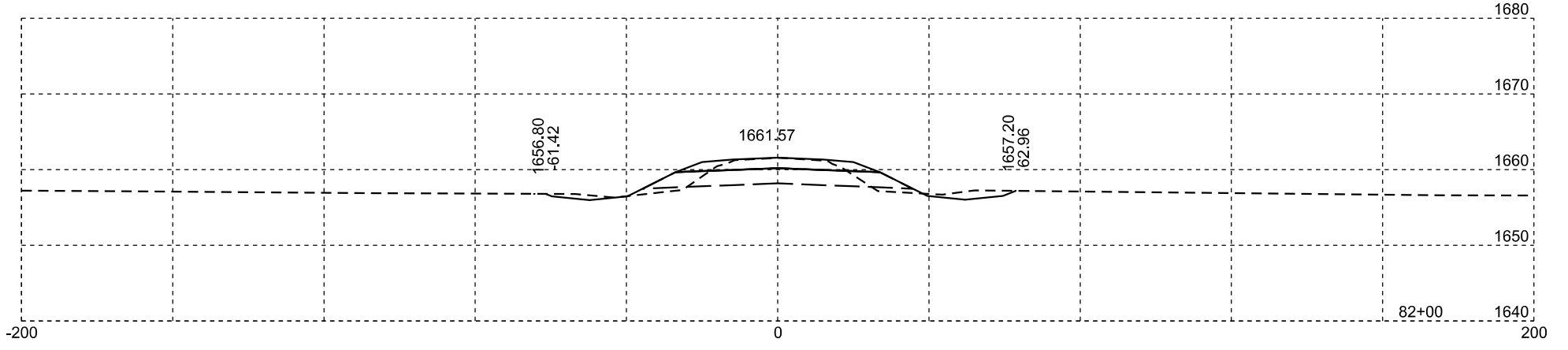
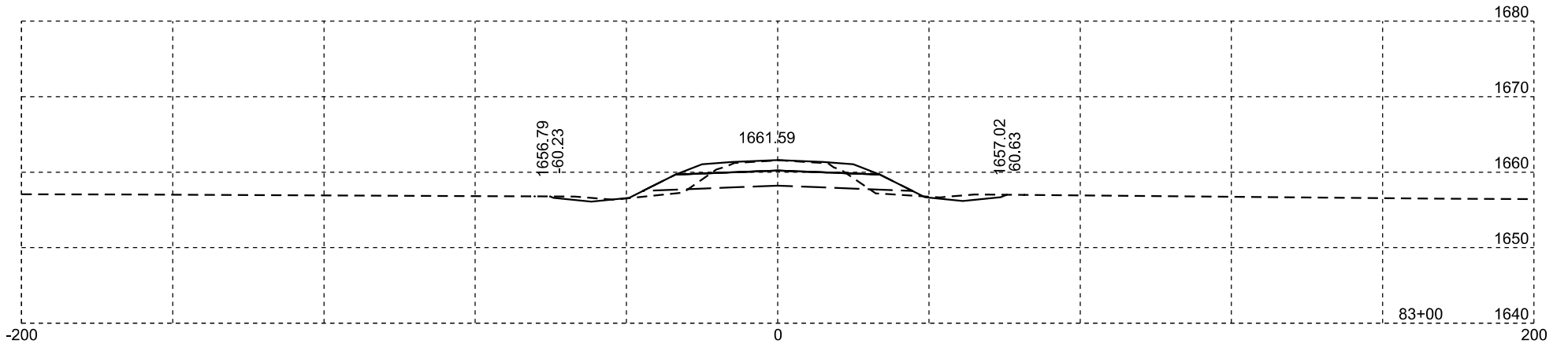
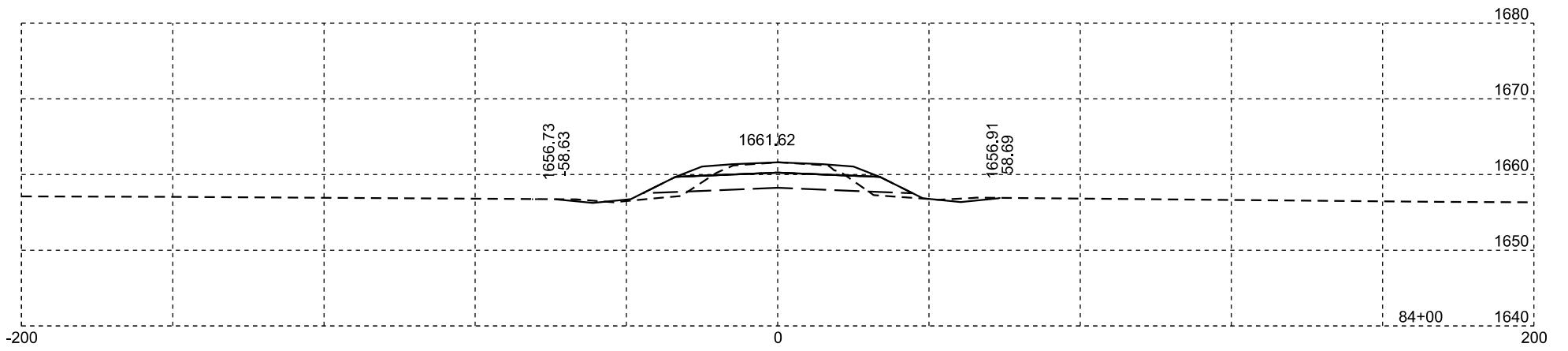
Plotting Date: 10/23/2024

STATE OF SOUTH DAKOTA	PROJECT	SHEET NO.	TOTAL SHEETS
	PH 0028(36)355	X15	X134



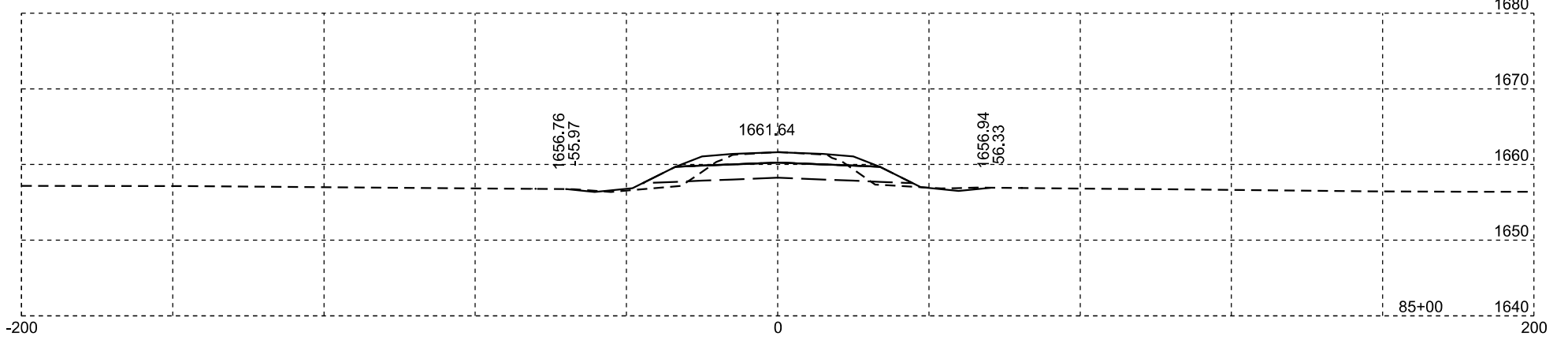
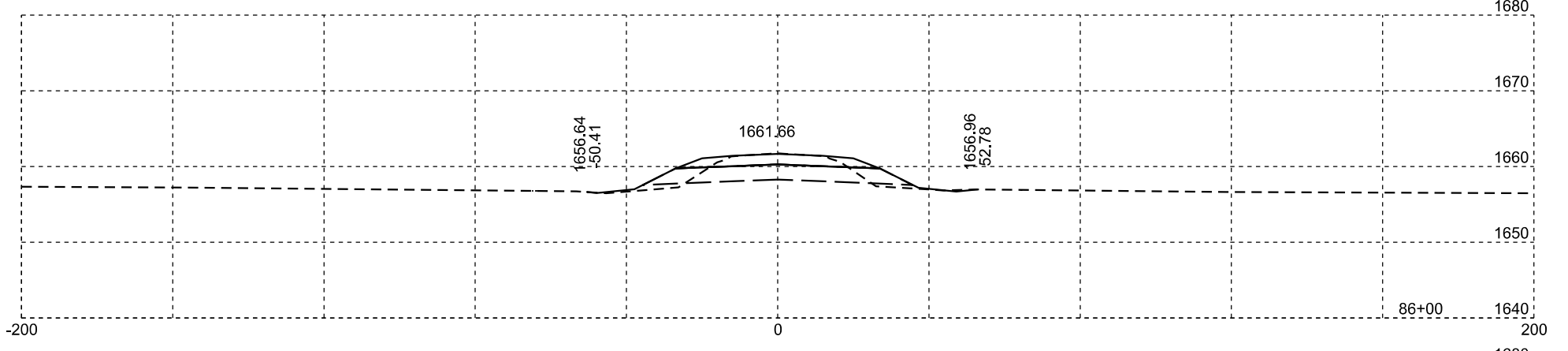
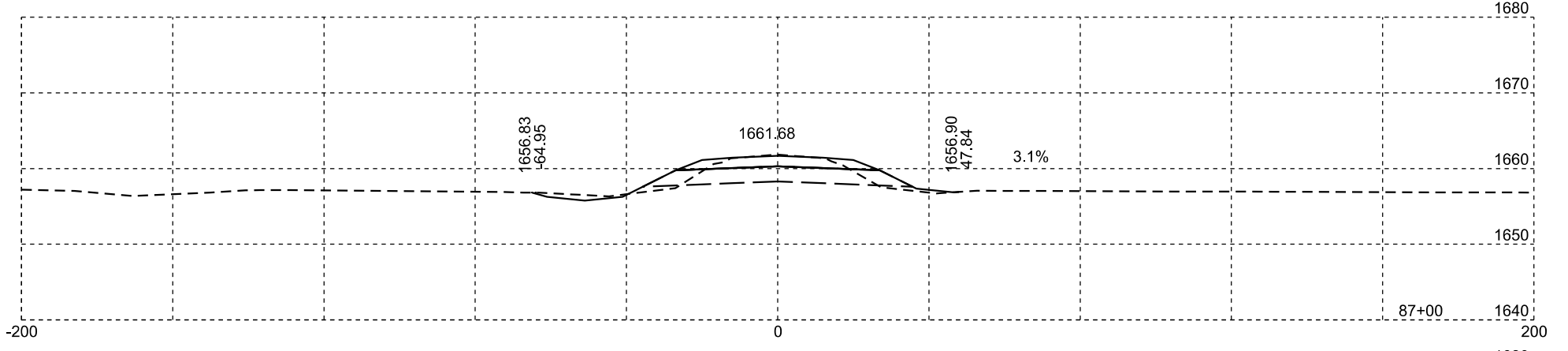
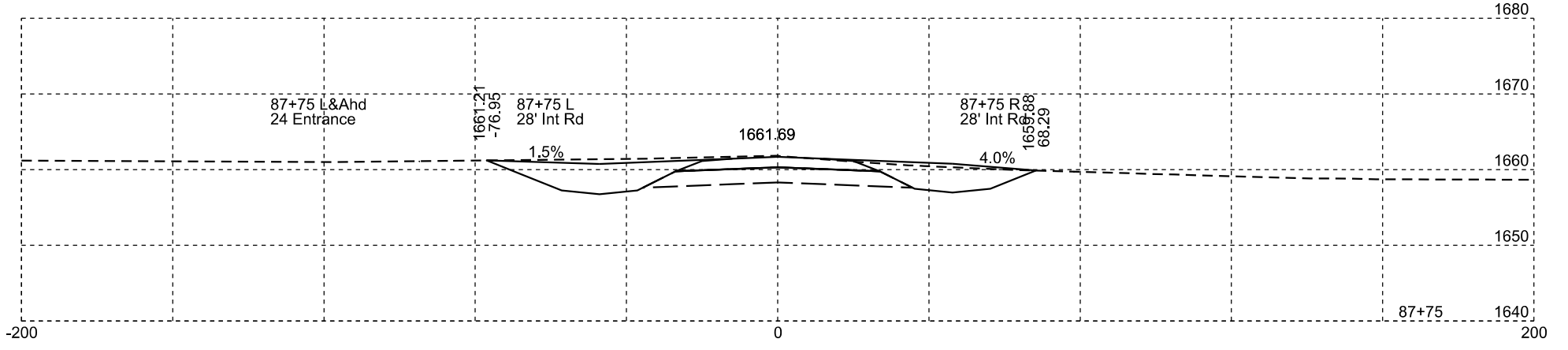
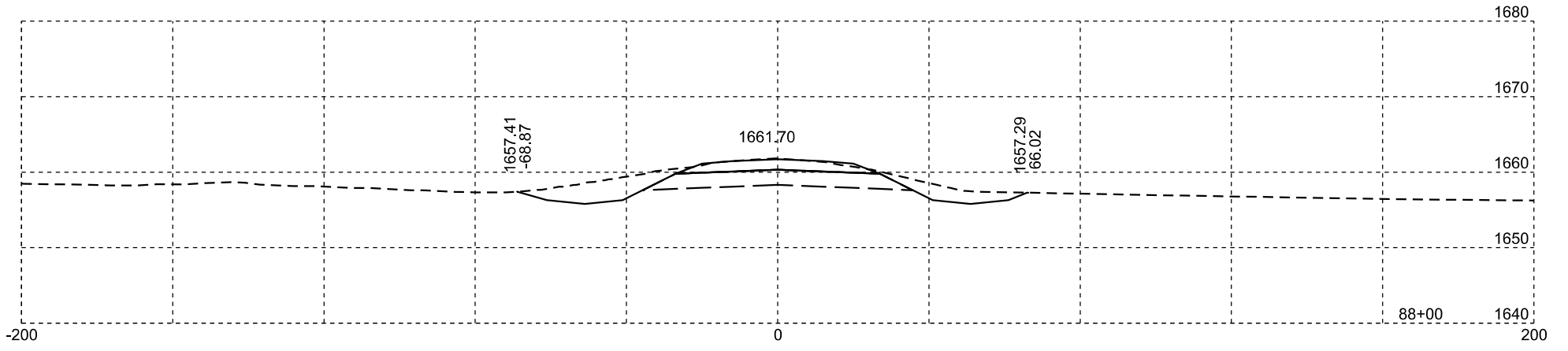
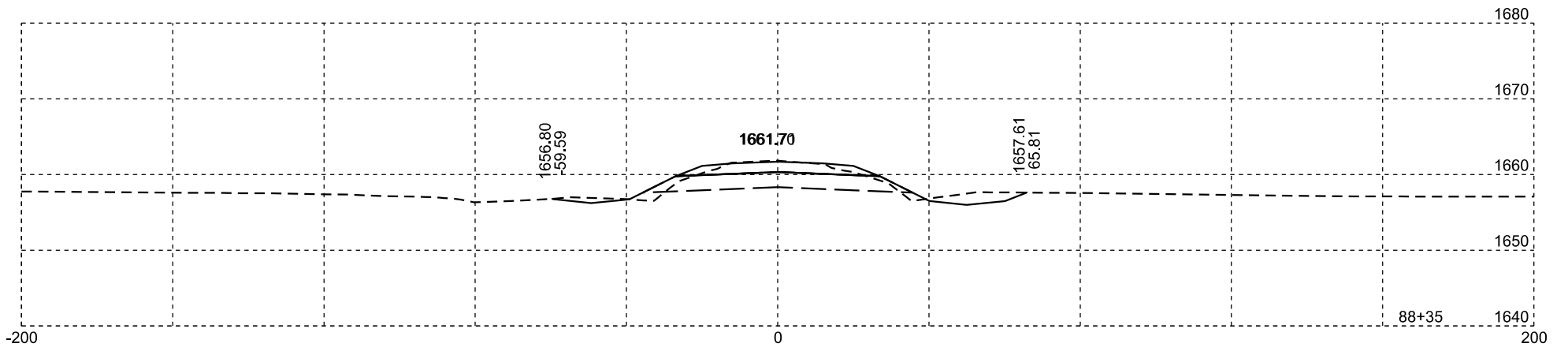
Plotting Date: 10/23/2024

STATE OF SOUTH DAKOTA	PROJECT	SHEET NO.	TOTAL SHEETS
	PH 0028(36)355	X16	X134



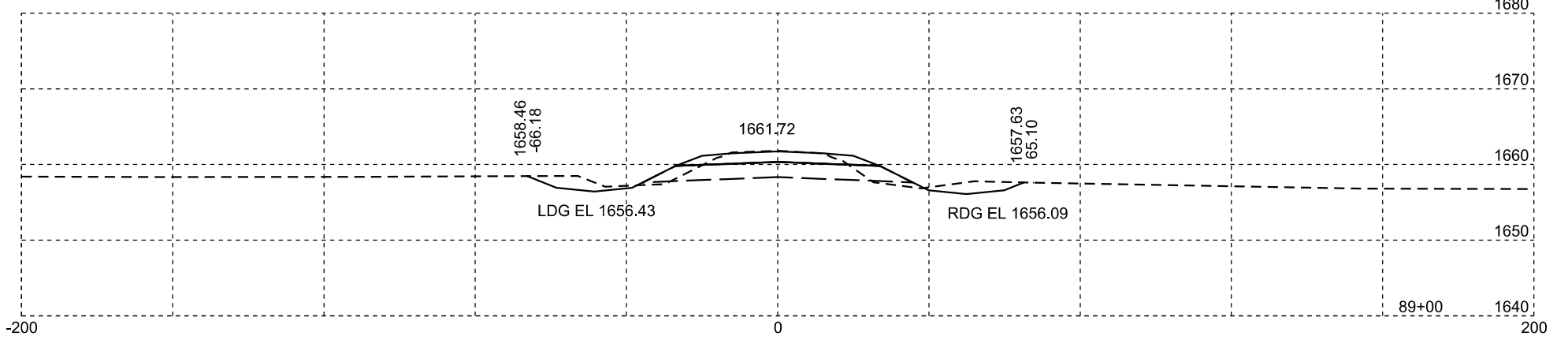
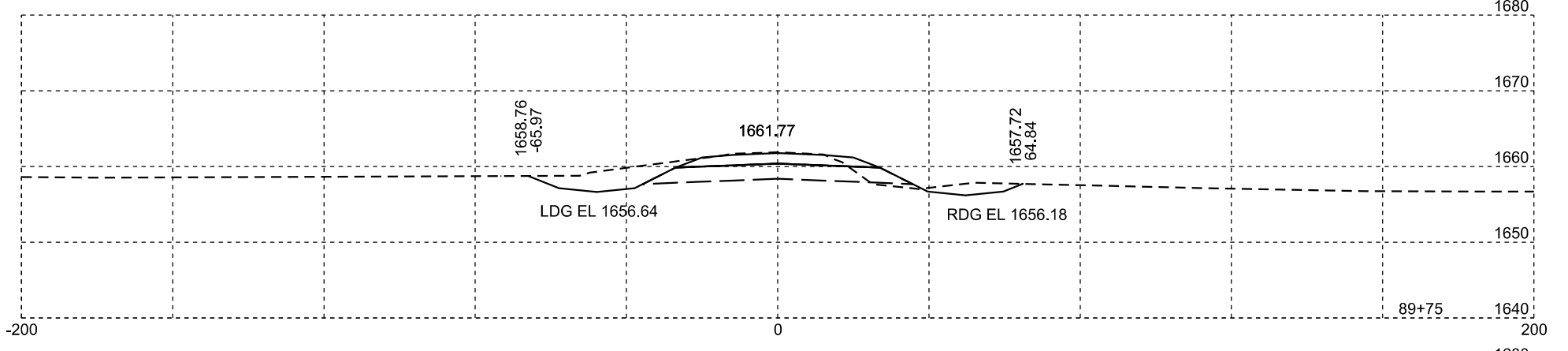
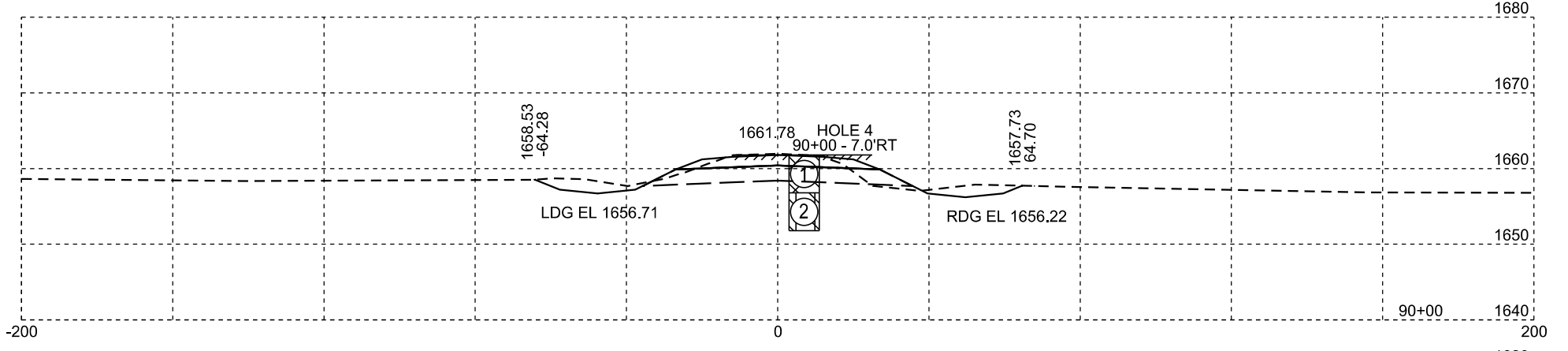
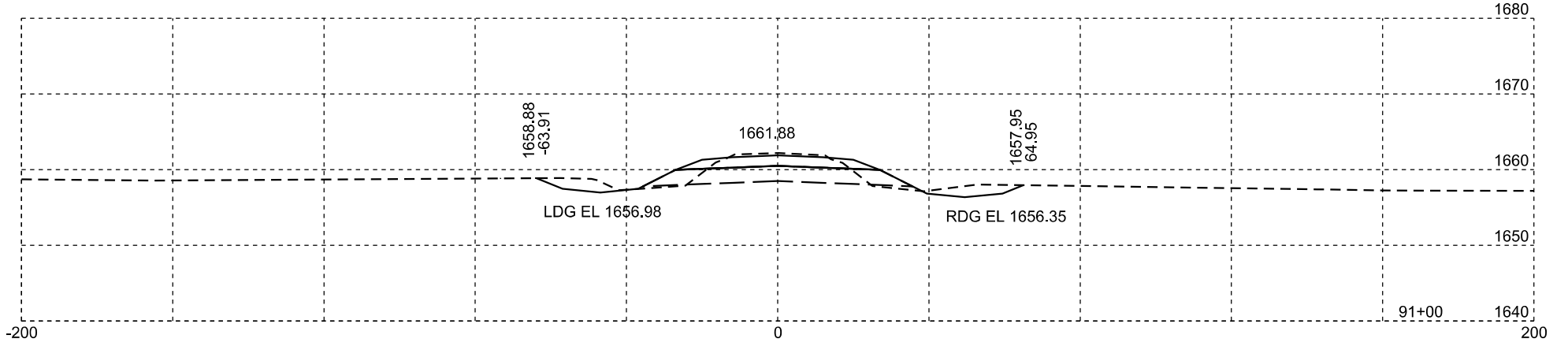
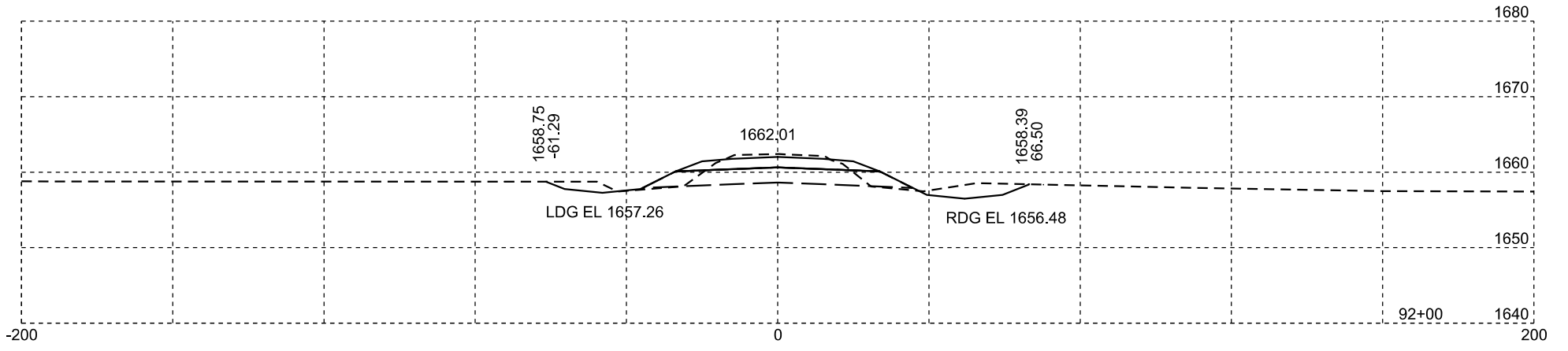
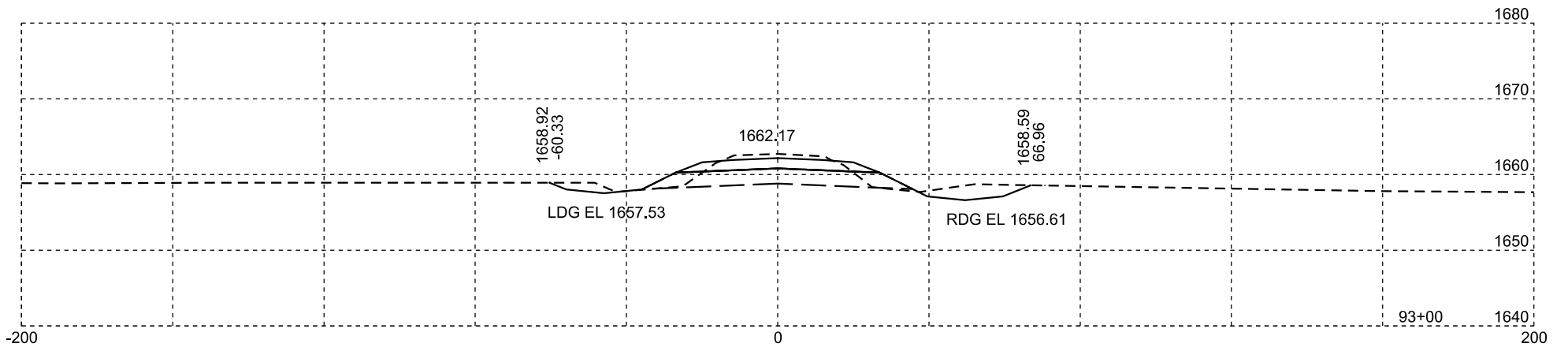
Plotting Date: 10/23/2024

STATE OF SOUTH DAKOTA	PROJECT	SHEET NO.	TOTAL SHEETS
	PH 0028(36)355	X17	X134



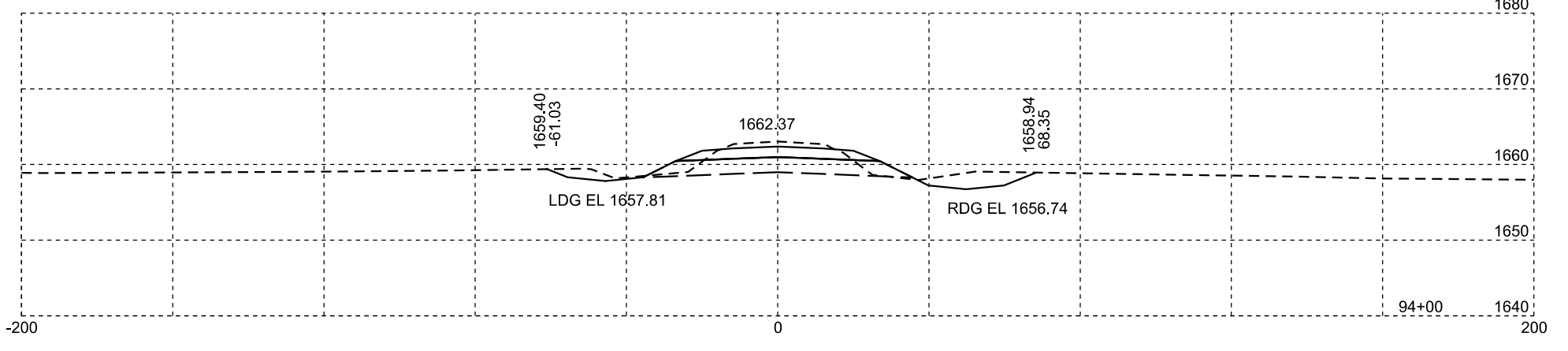
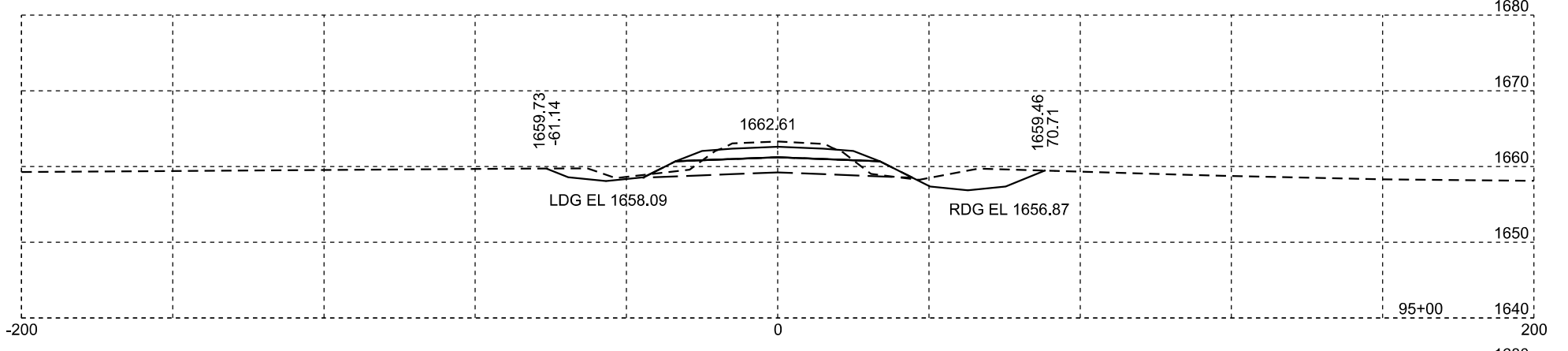
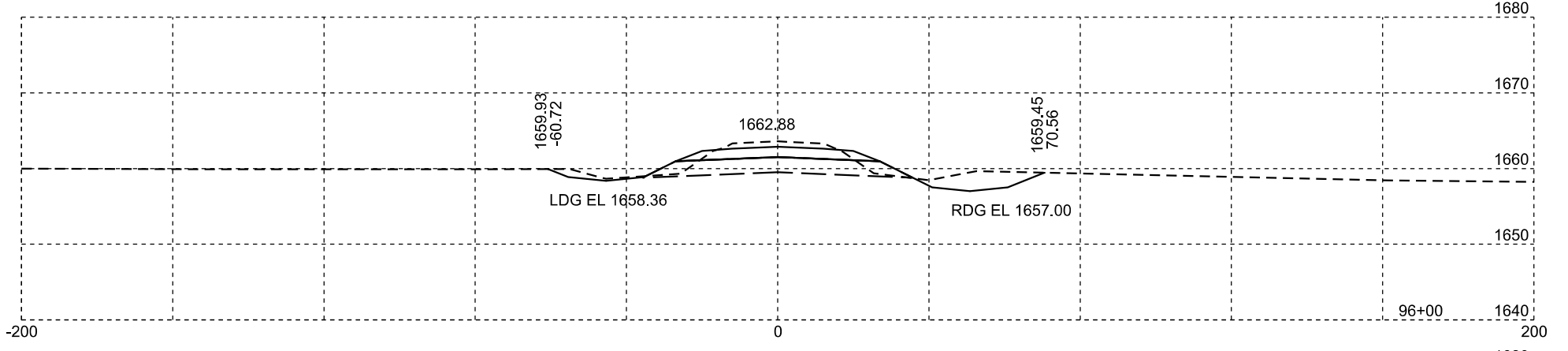
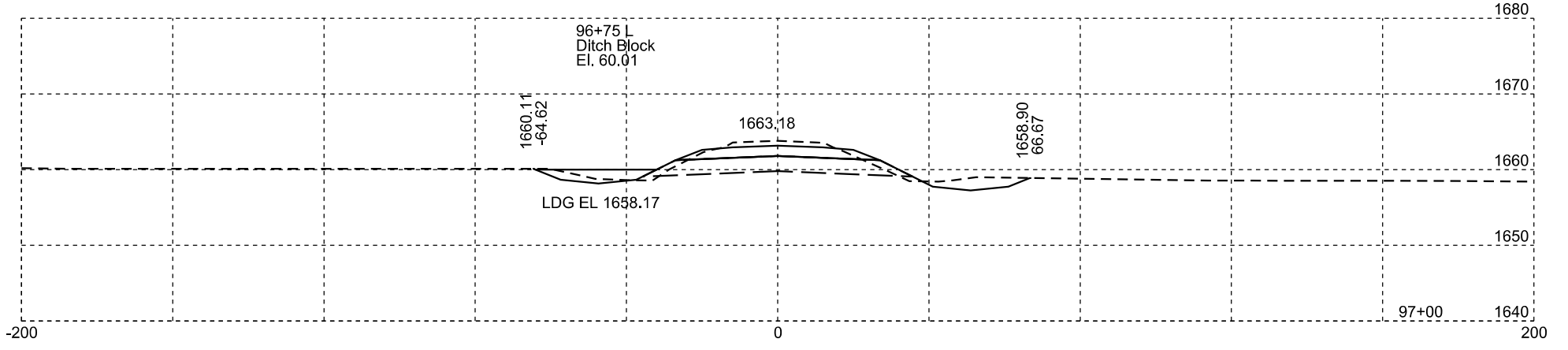
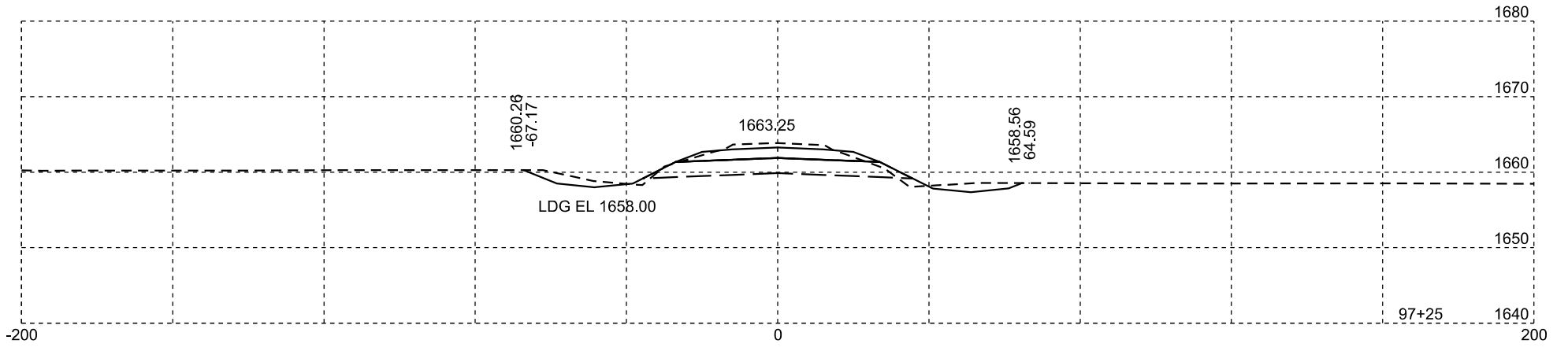
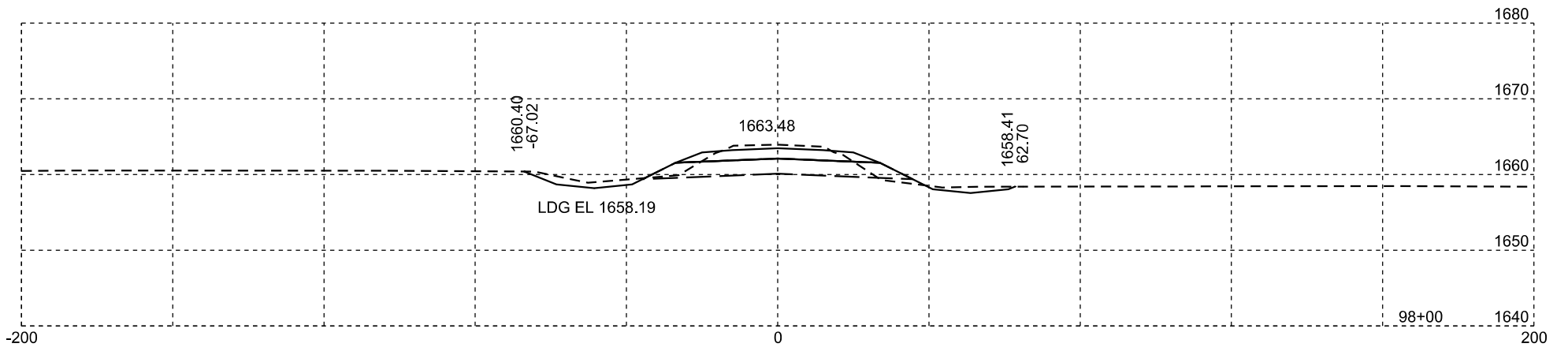
Plotting Date: 10/23/2024

STATE OF SOUTH DAKOTA	PROJECT	SHEET NO.	TOTAL SHEETS
	PH 0028(36)355	X18	X134



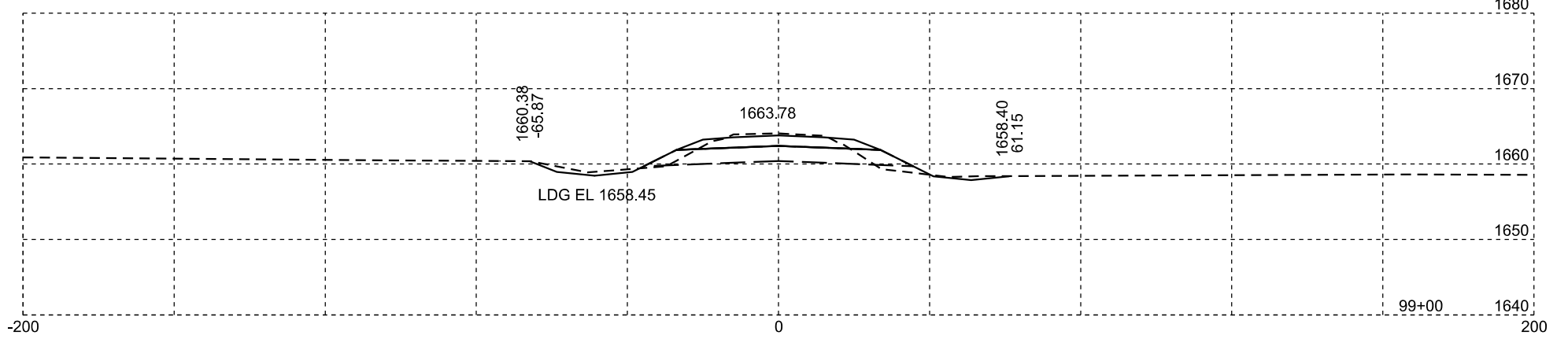
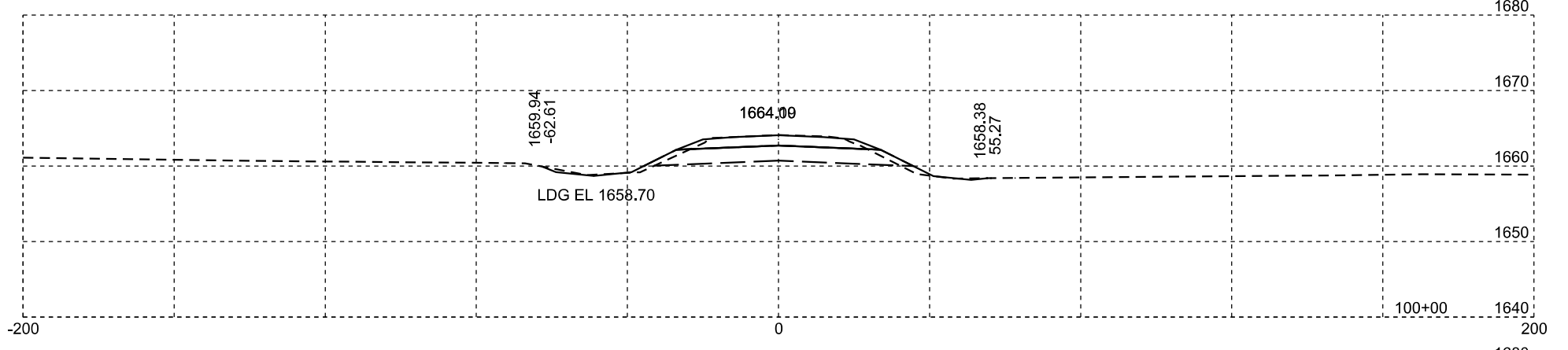
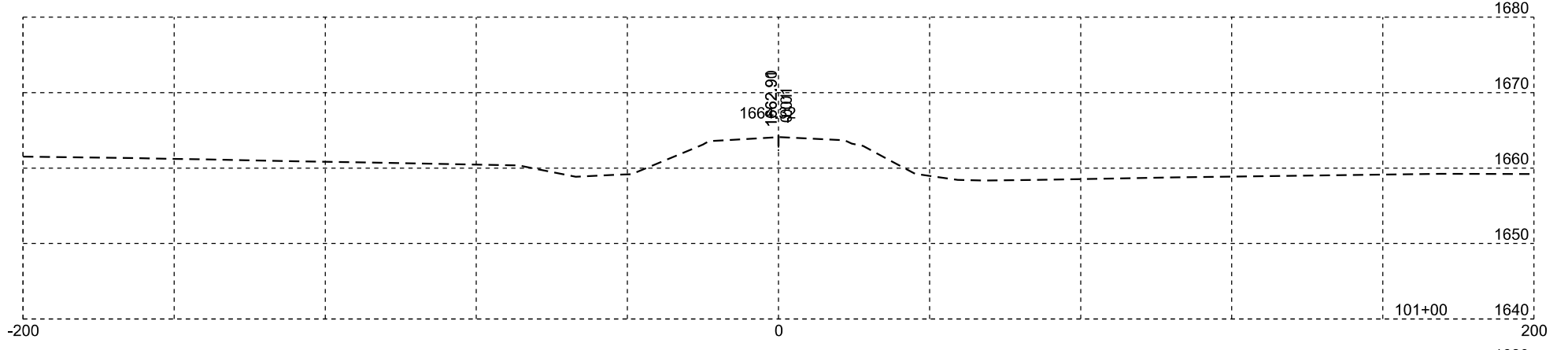
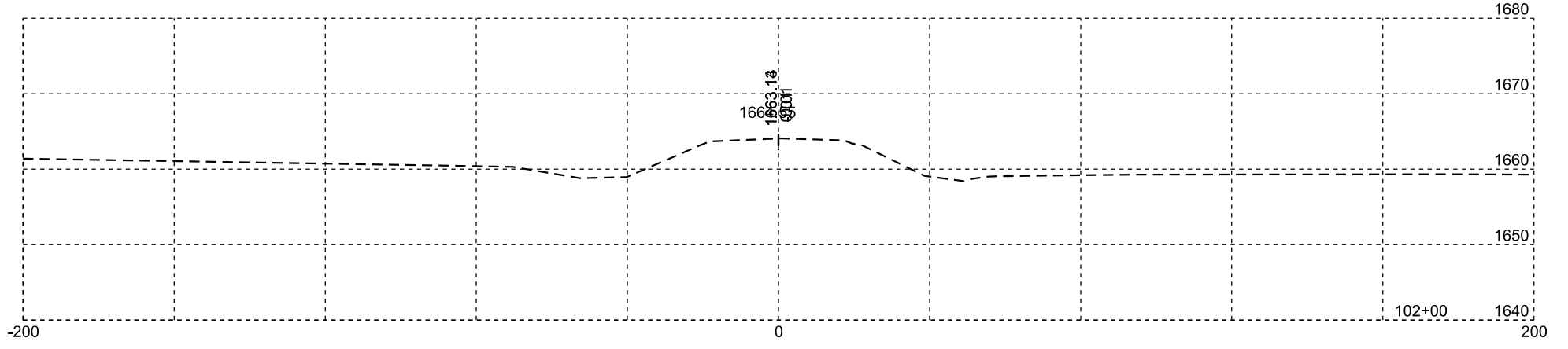
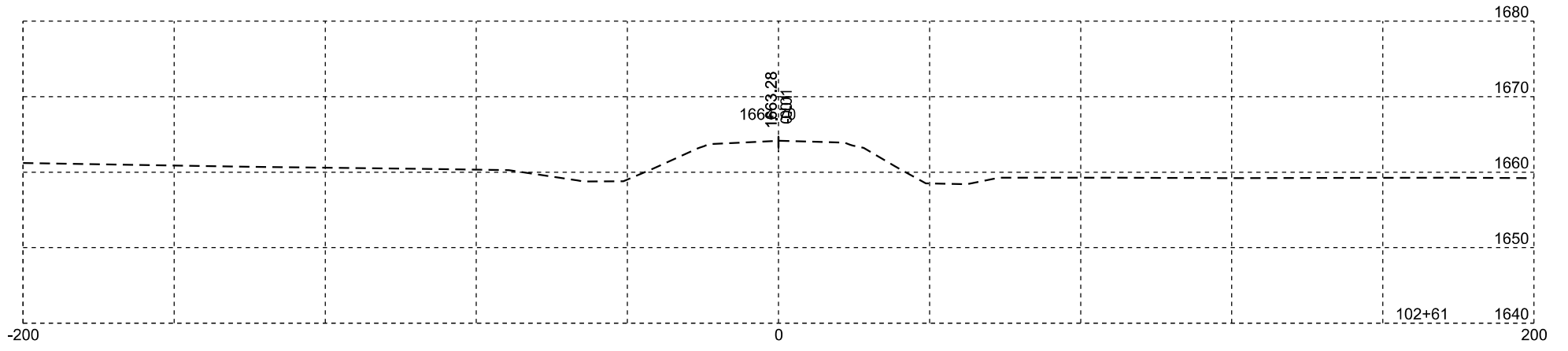
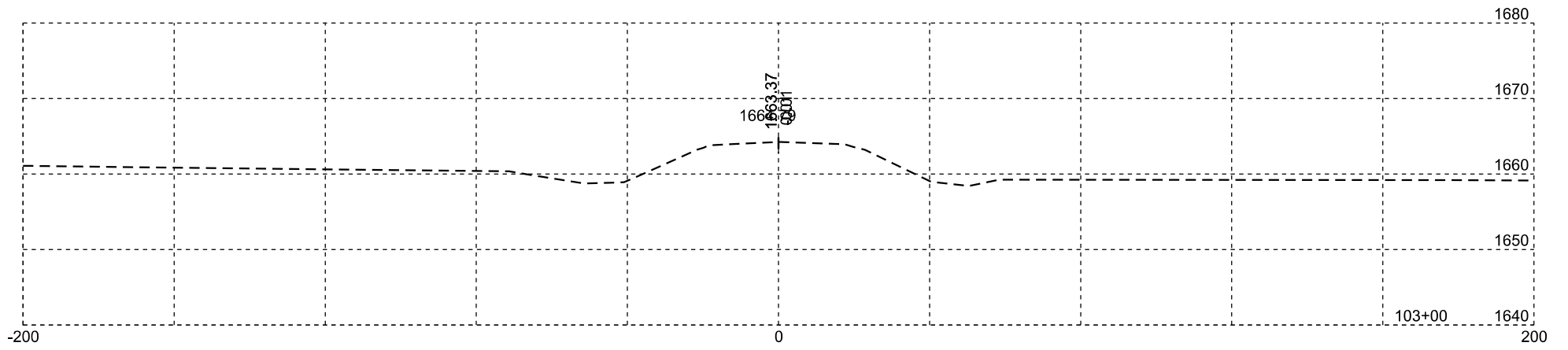
Plotting Date: 10/23/2024

STATE OF SOUTH DAKOTA	PROJECT	SHEET NO.	TOTAL SHEETS
	PH 0028(36)355	X19	X134



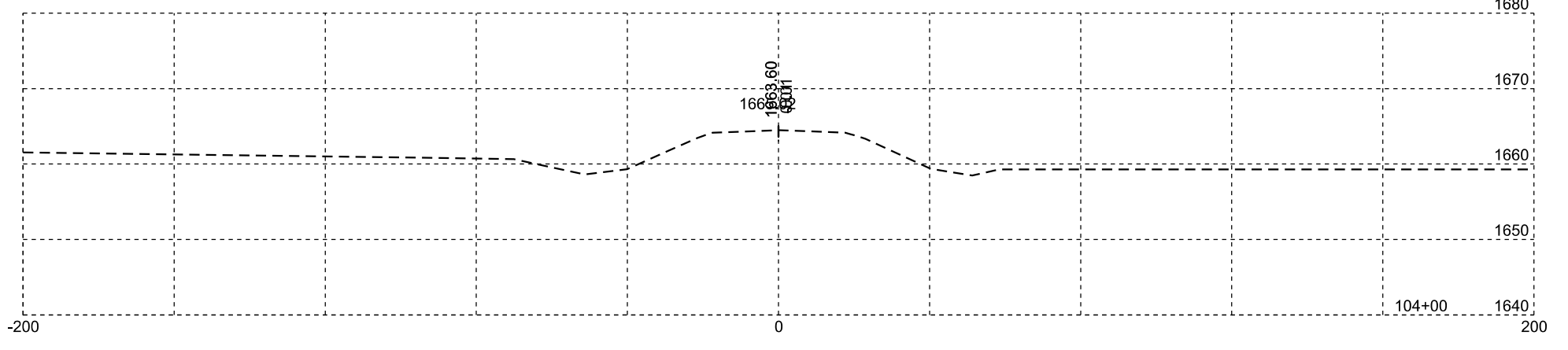
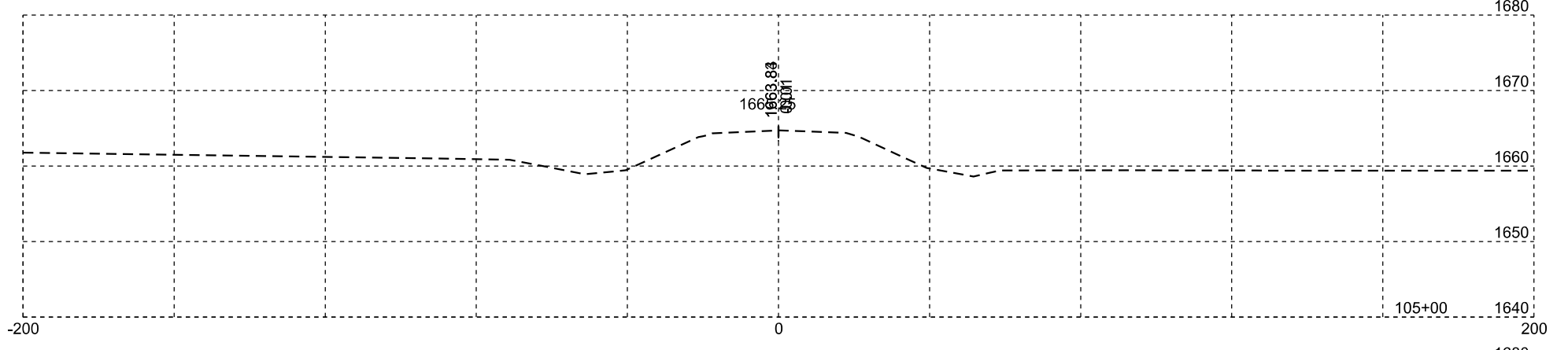
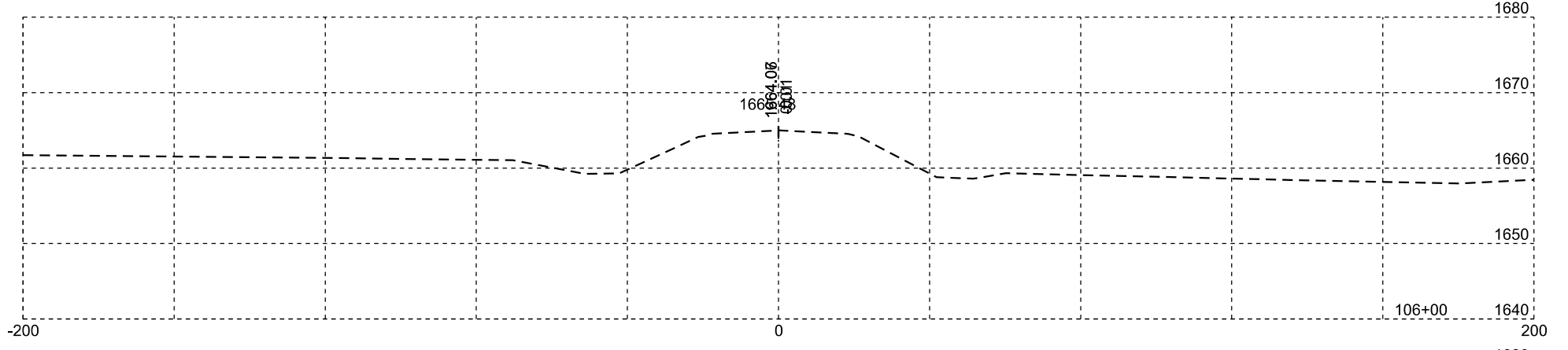
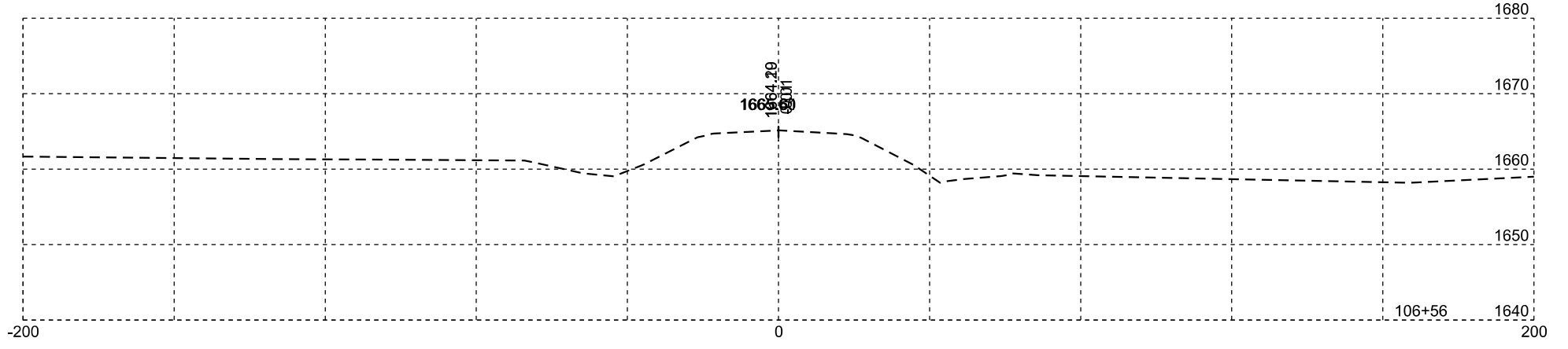
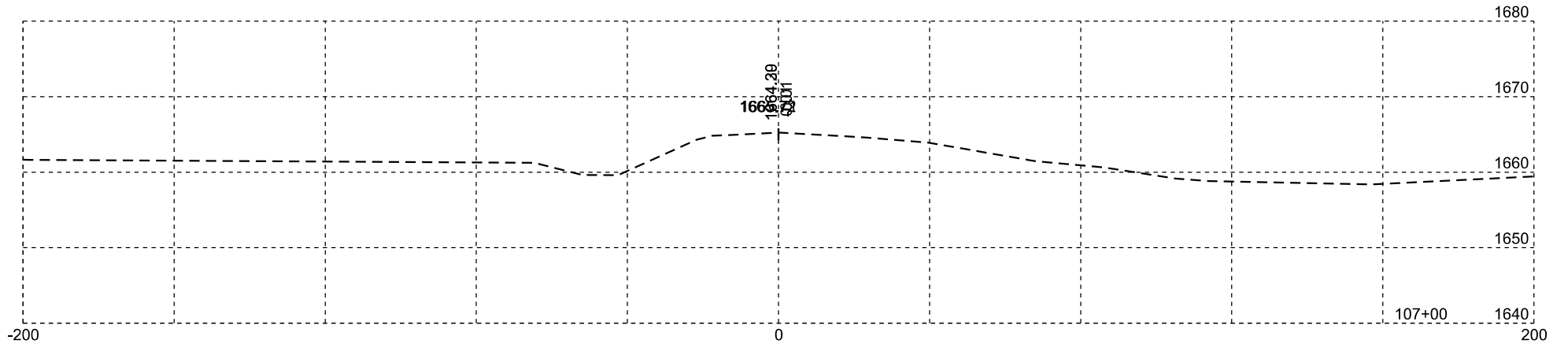
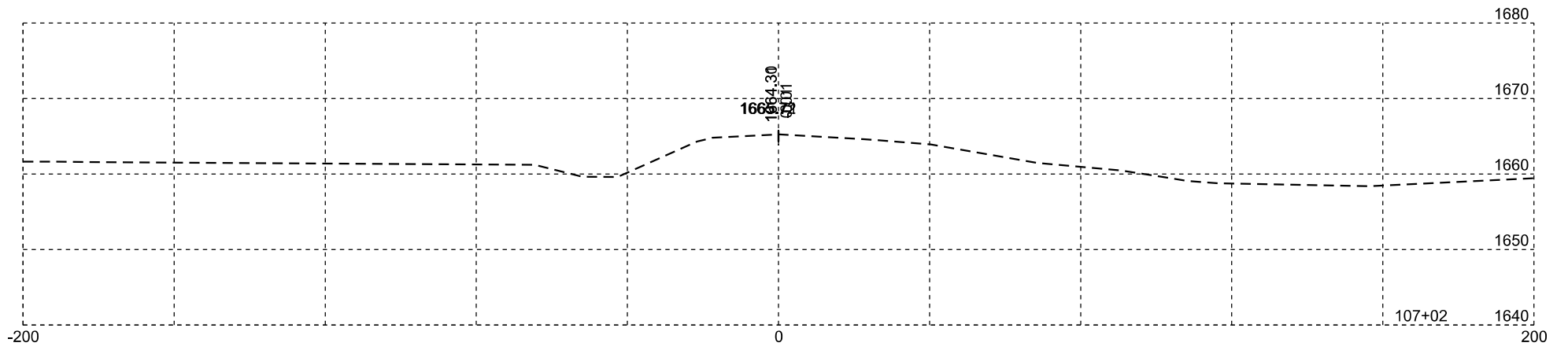
Plotting Date: 10/23/2024

STATE OF SOUTH DAKOTA	PROJECT	SHEET NO.	TOTAL SHEETS
	PH 0028(36)355	X20	X134



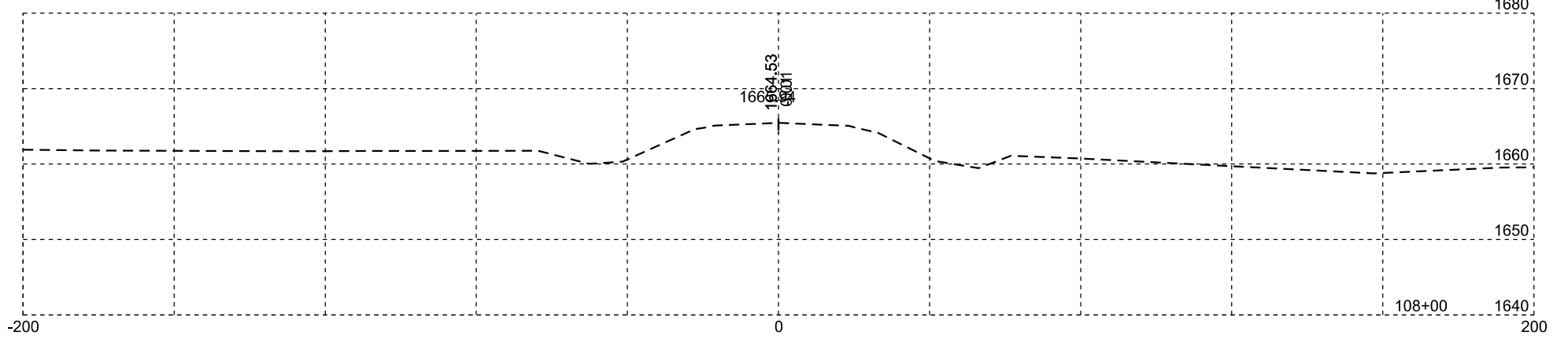
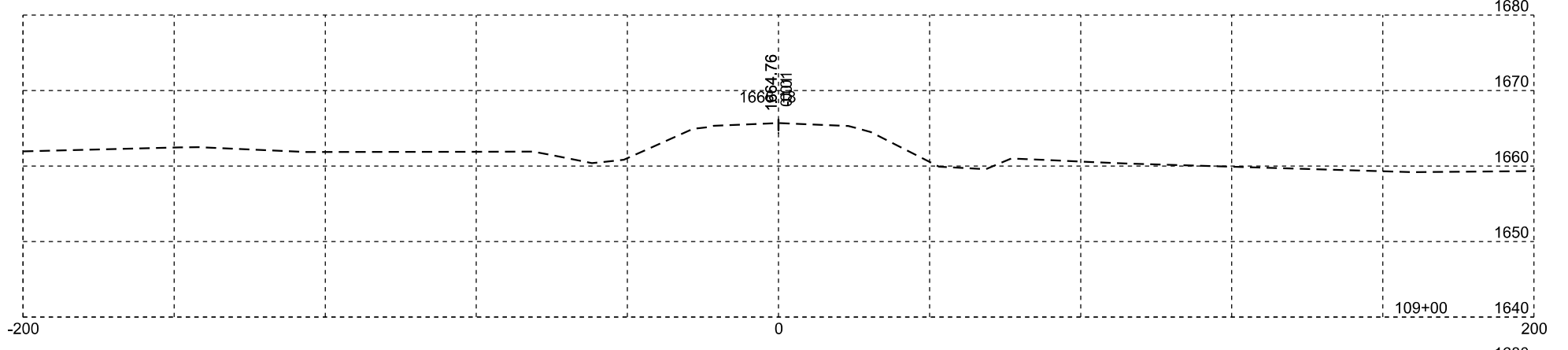
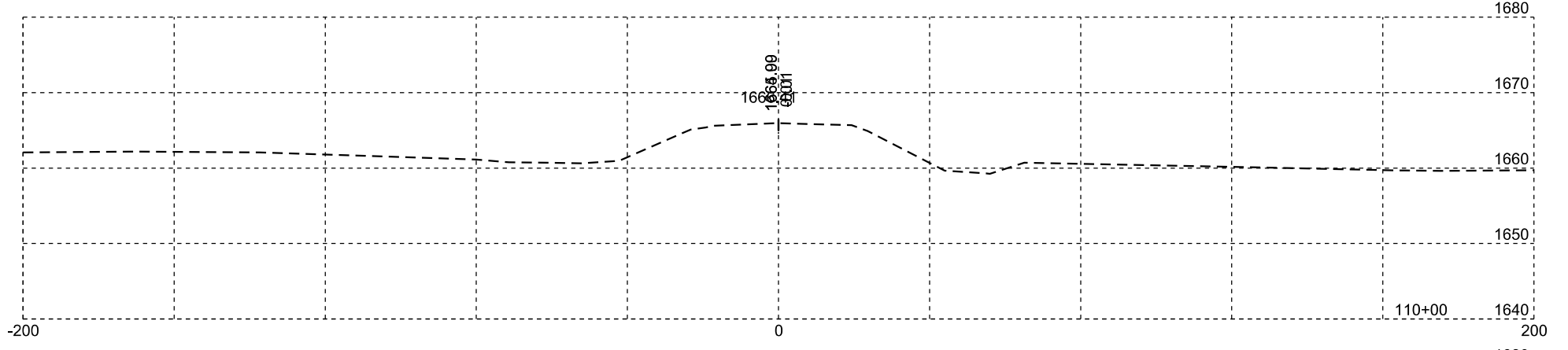
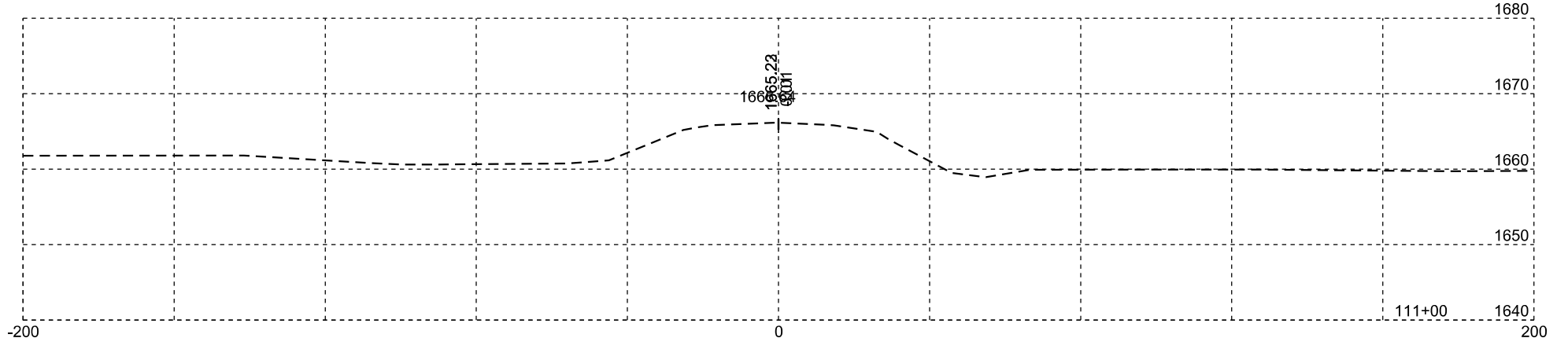
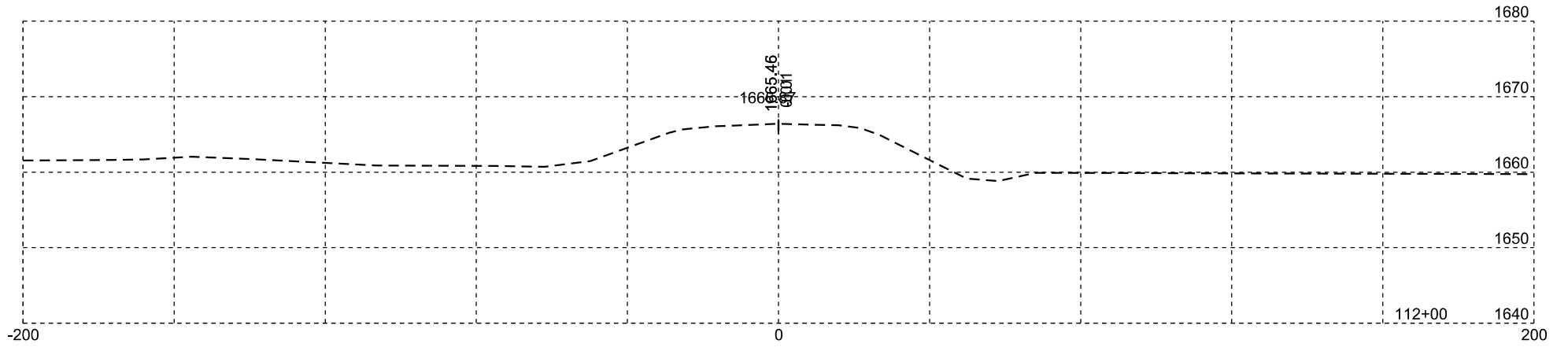
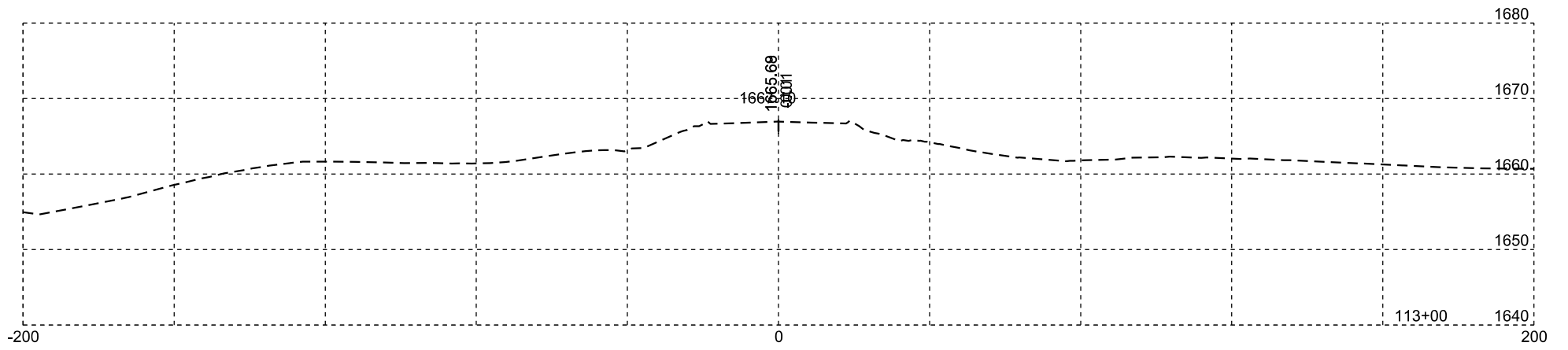
Plotting Date: 10/23/2024

STATE OF SOUTH DAKOTA	PROJECT	SHEET NO.	TOTAL SHEETS
	PH 0028(36)355	X21	X134



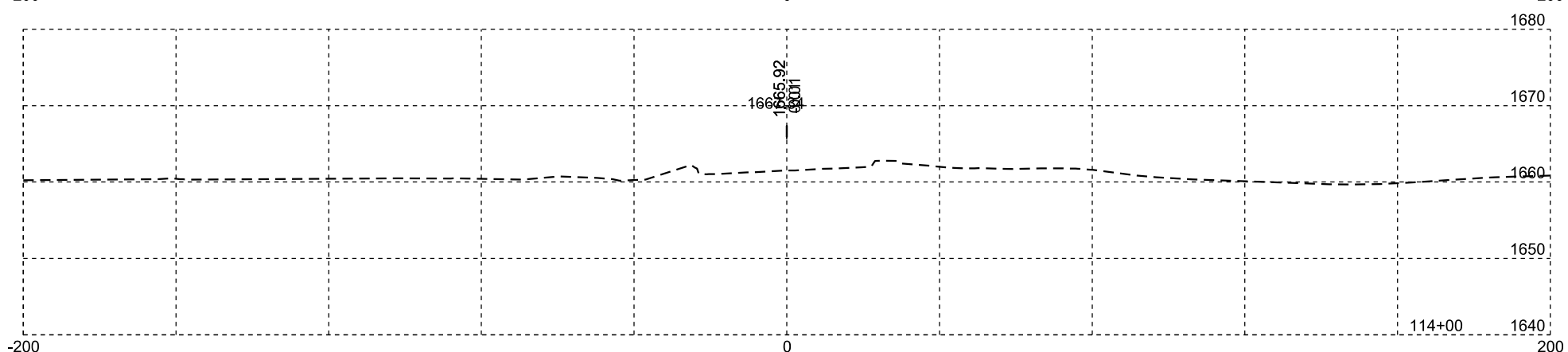
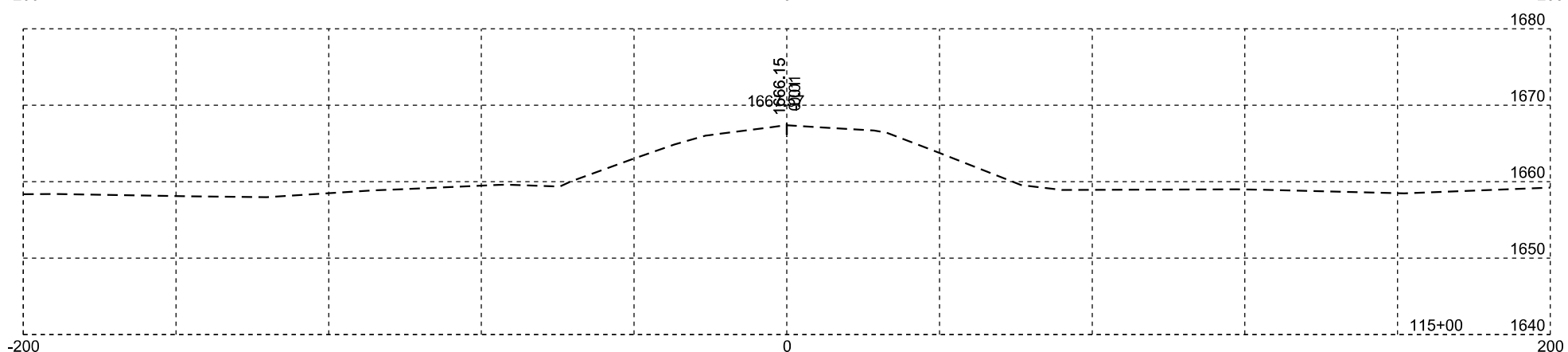
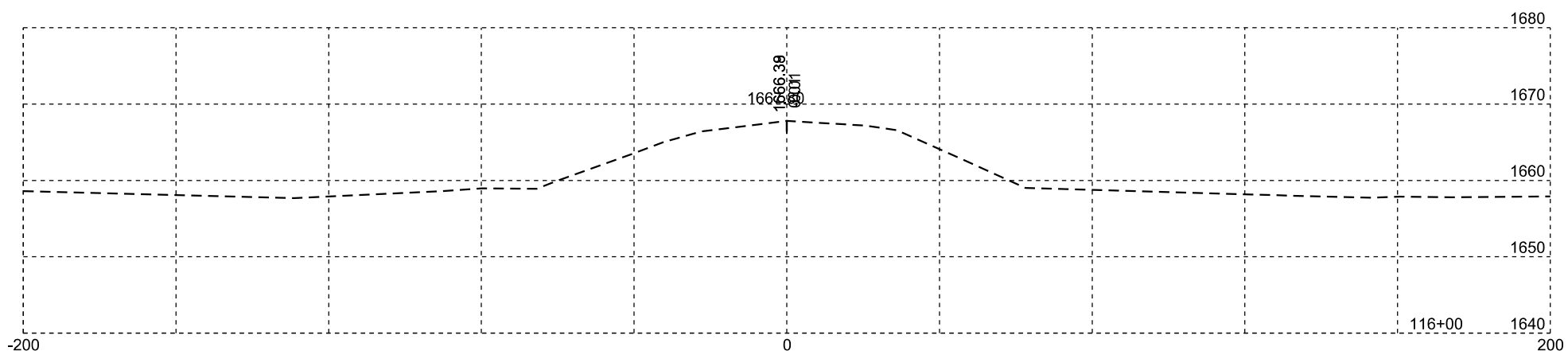
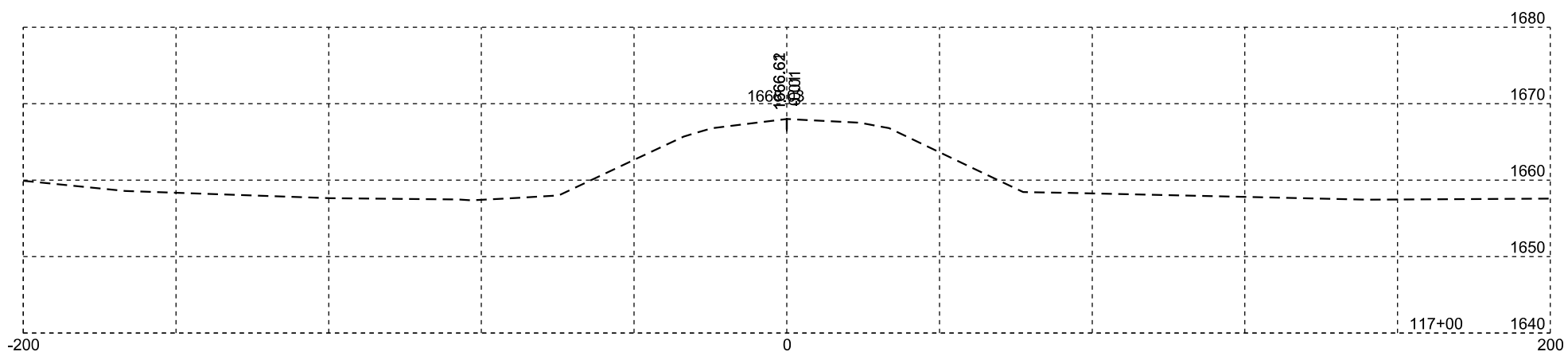
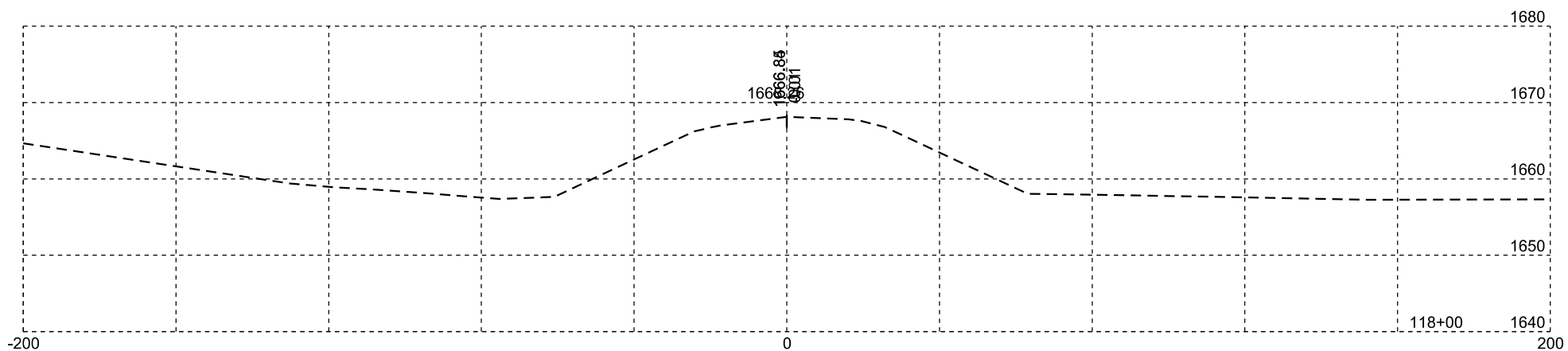
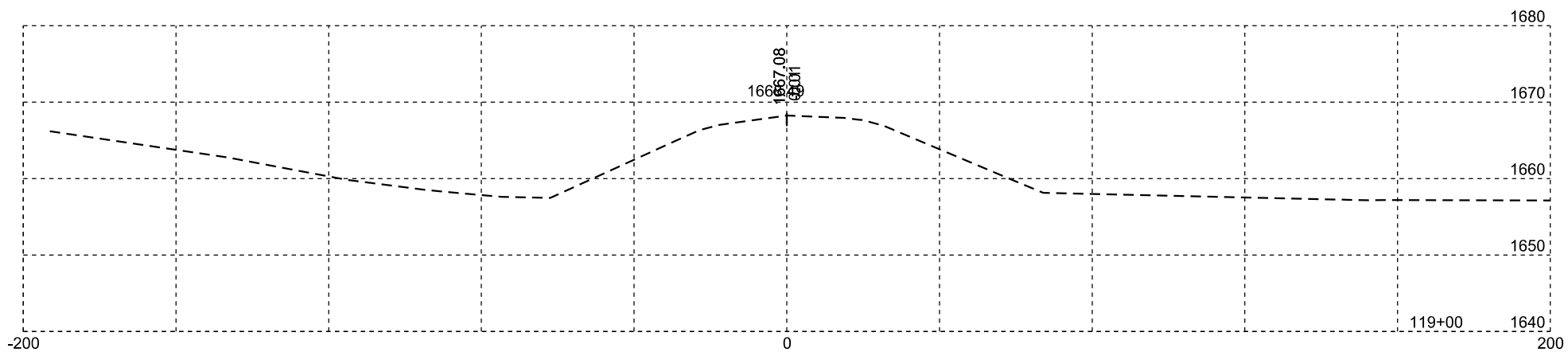
Plotting Date: 10/23/2024

STATE OF SOUTH DAKOTA	PROJECT	SHEET NO.	TOTAL SHEETS
	PH 0028(36)355	X22	X134



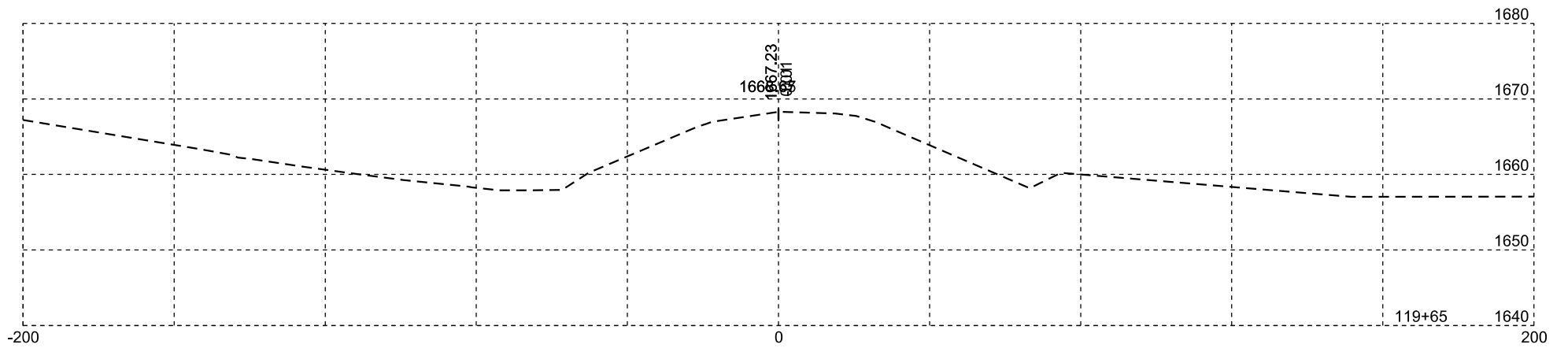
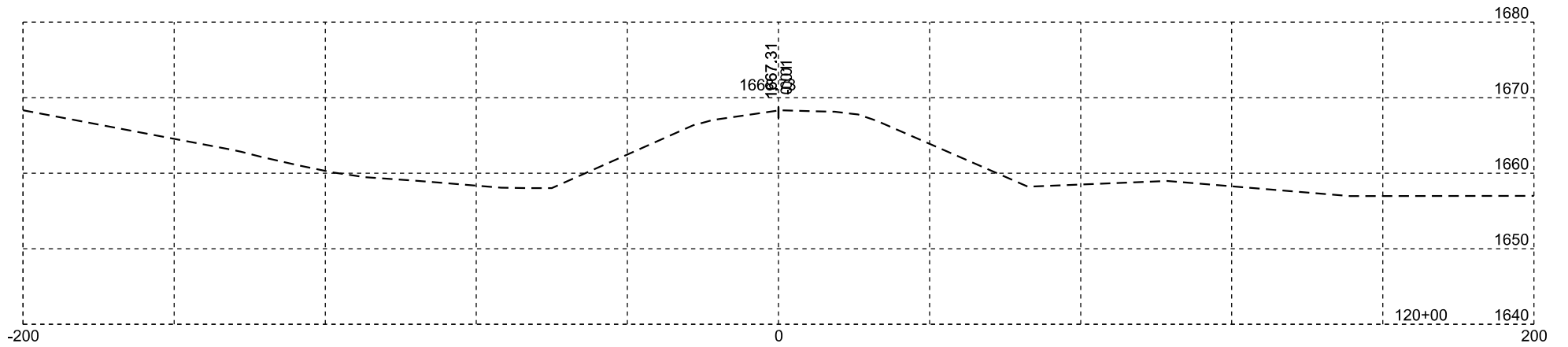
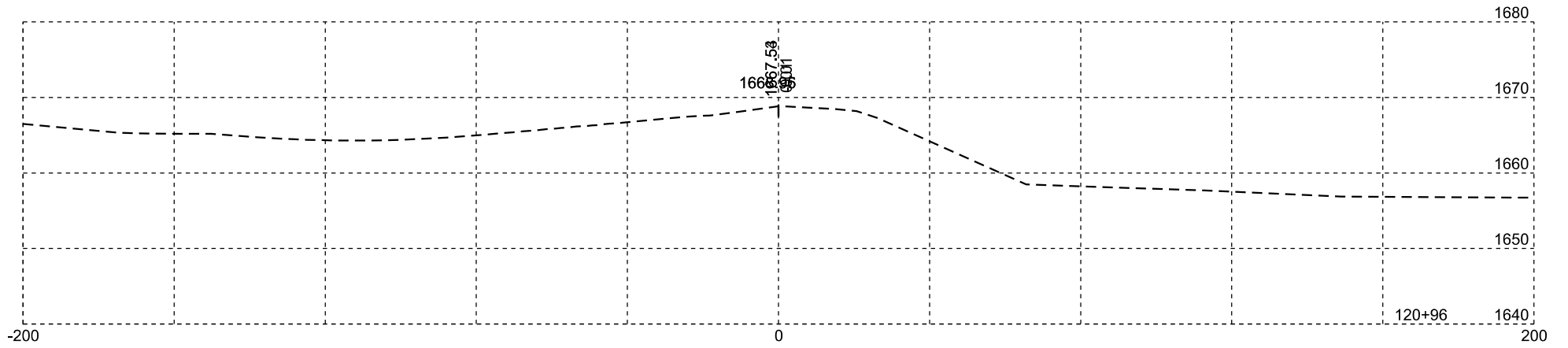
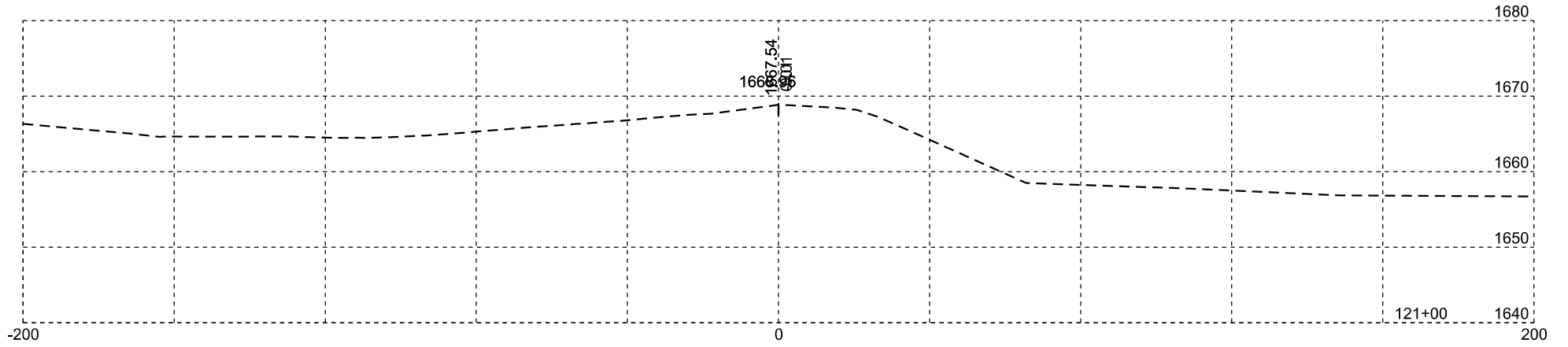
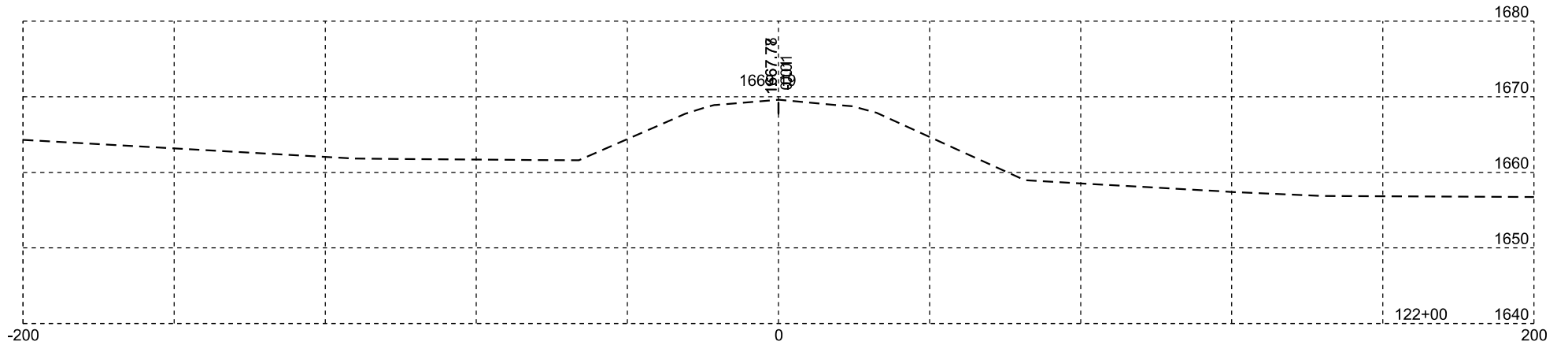
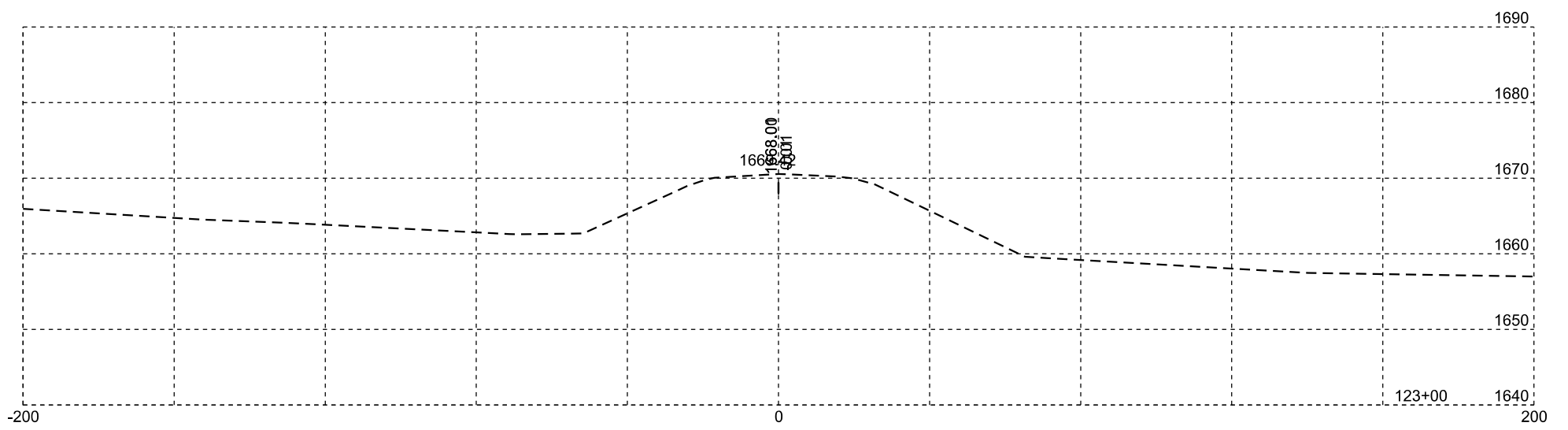
Plotting Date: 10/23/2024

STATE OF SOUTH DAKOTA	PROJECT	SHEET NO.	TOTAL SHEETS
	PH 0028(36)355	X23	X134



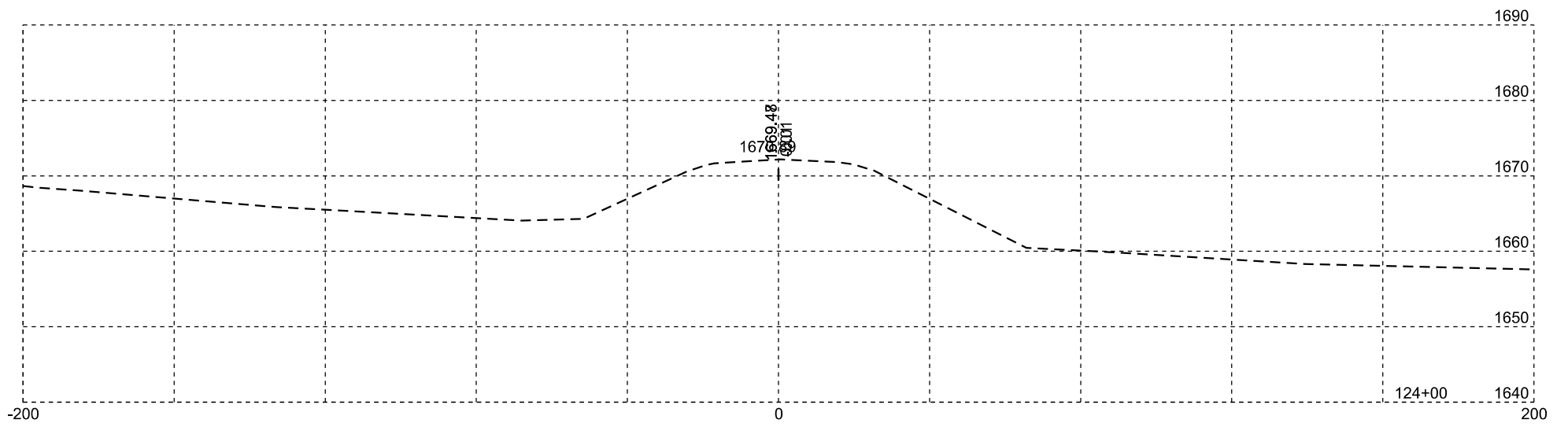
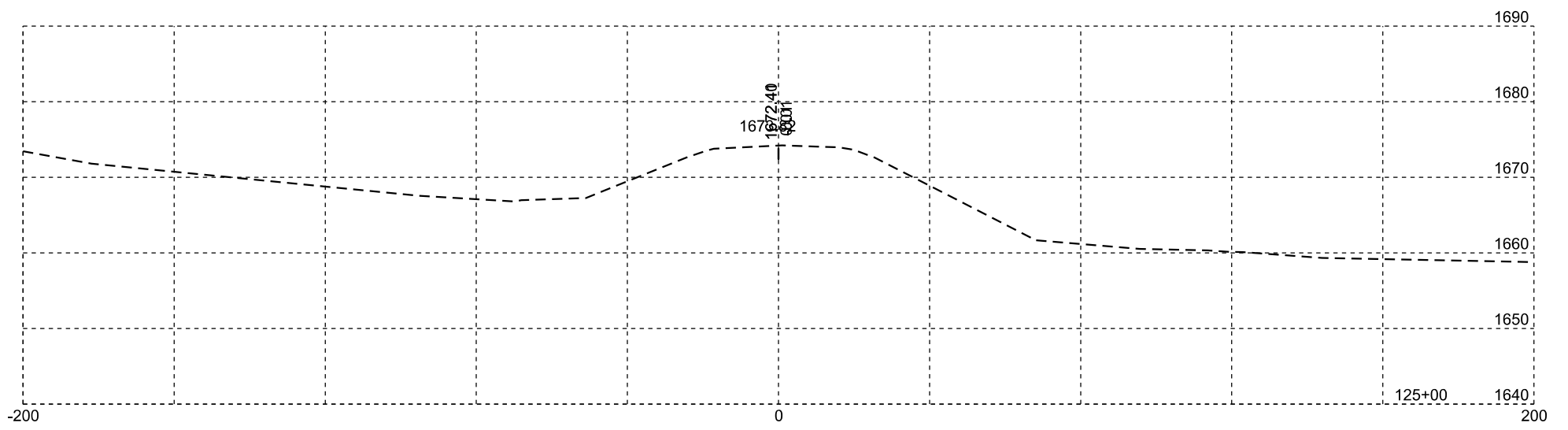
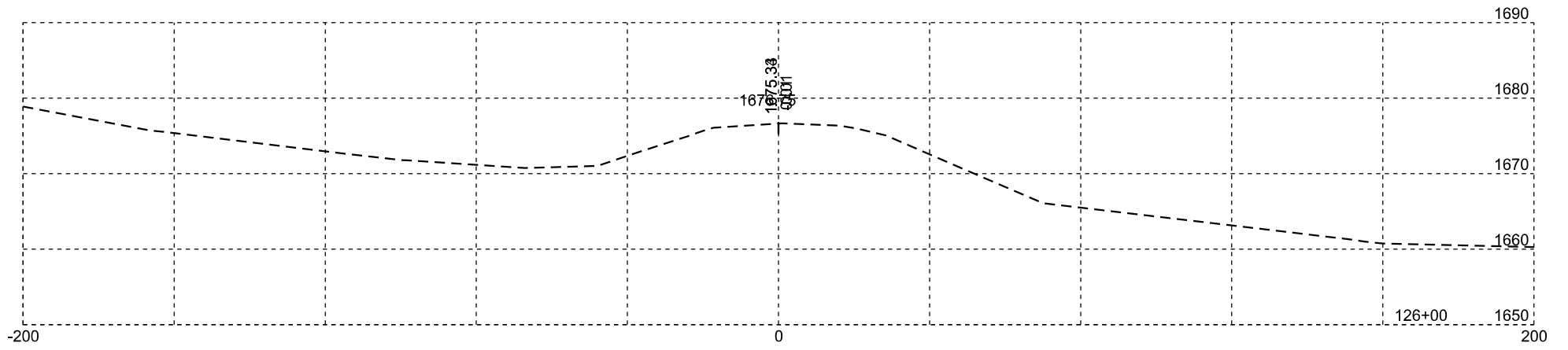
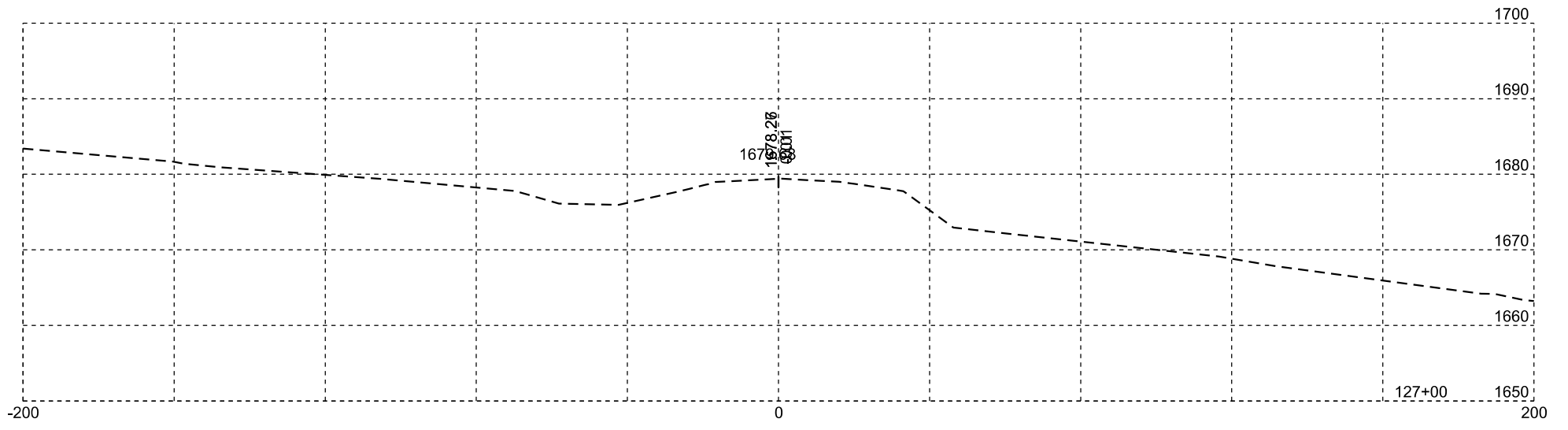
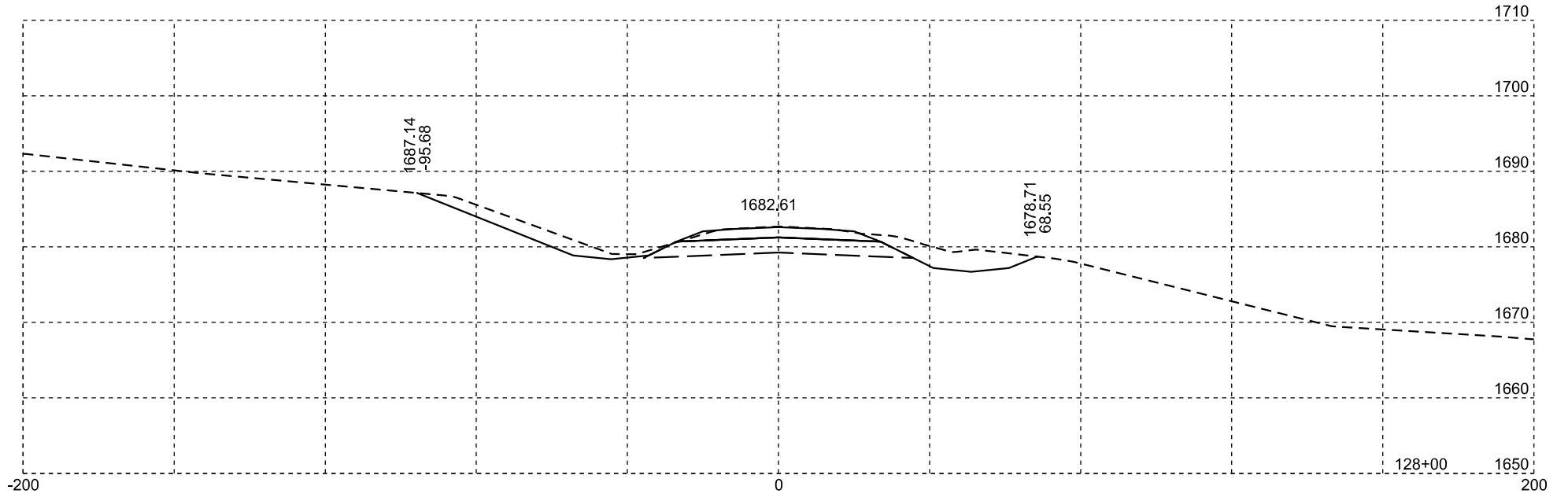
Plotting Date: 10/23/2024

STATE OF SOUTH DAKOTA	PROJECT	SHEET NO.	TOTAL SHEETS
	PH 0028(36)355	X24	X134



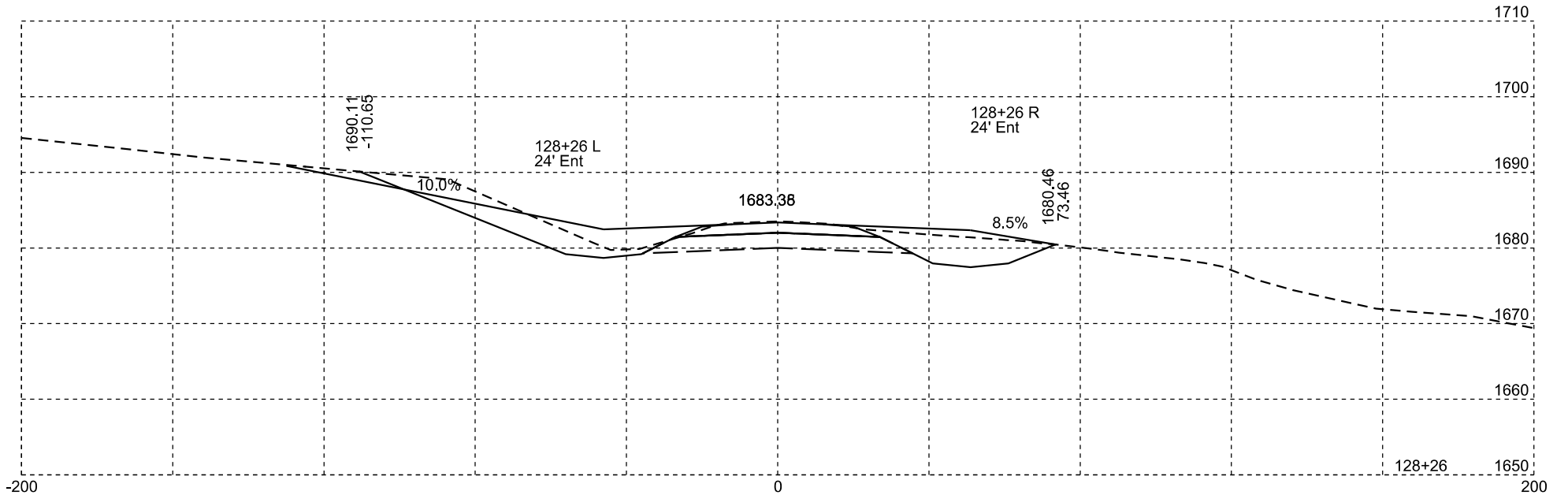
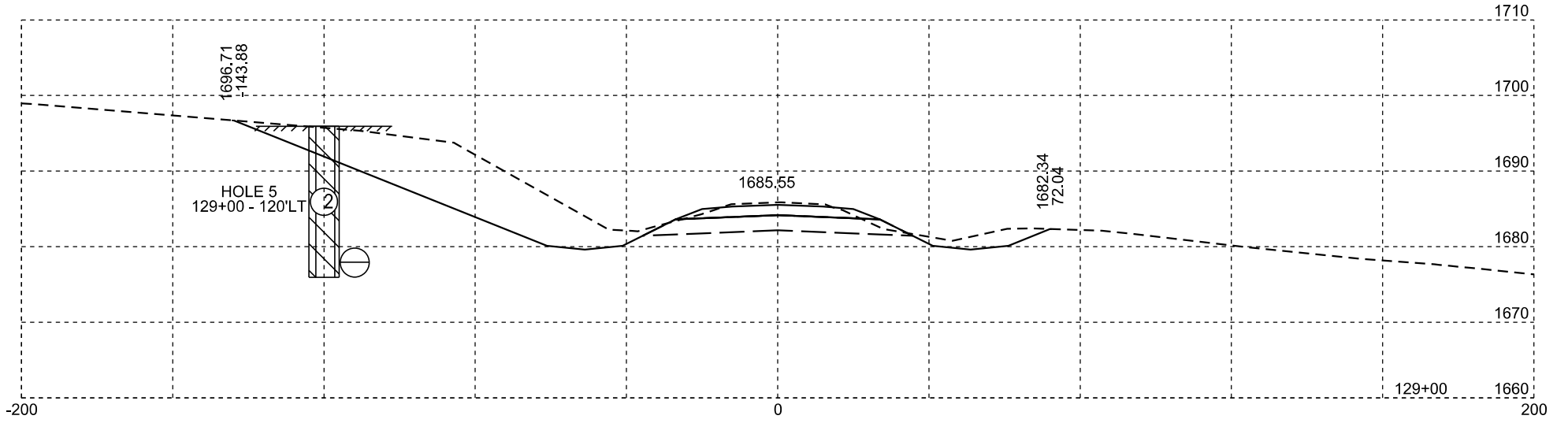
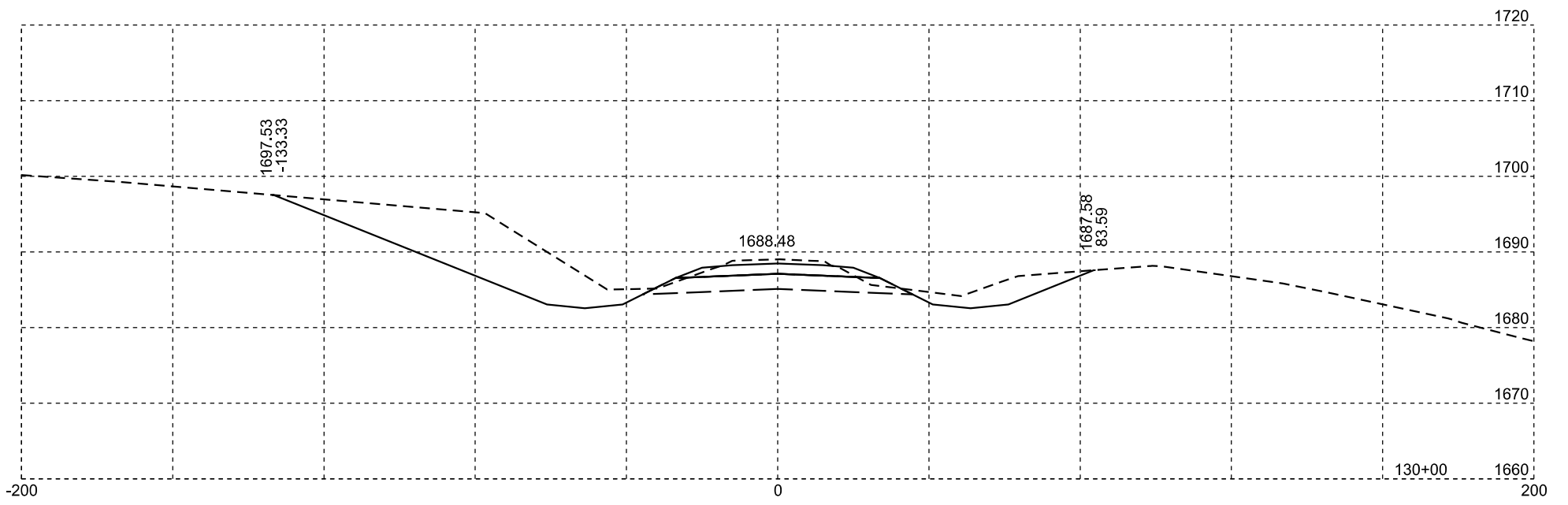
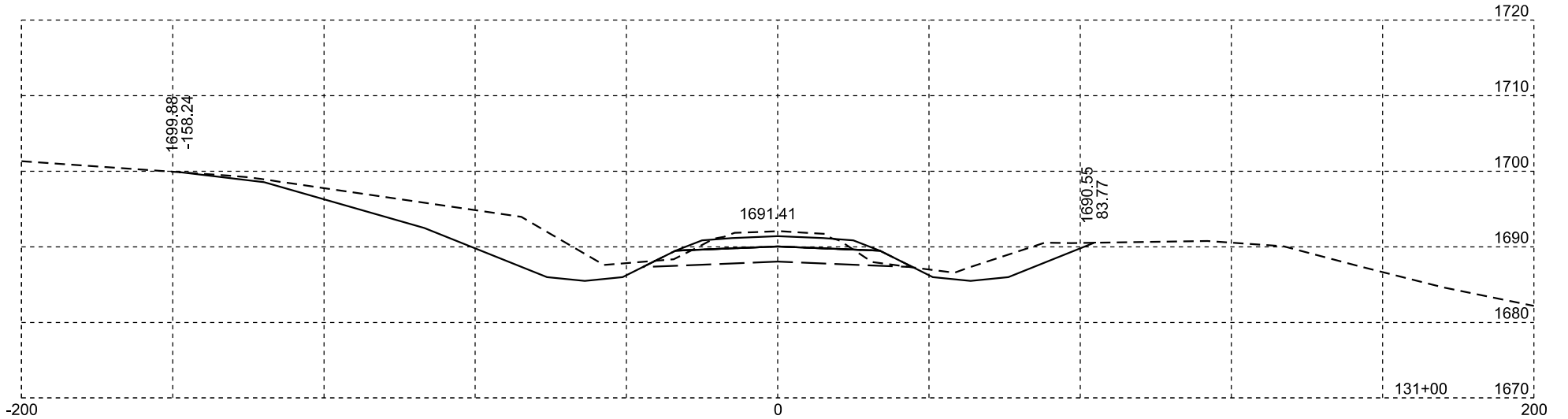
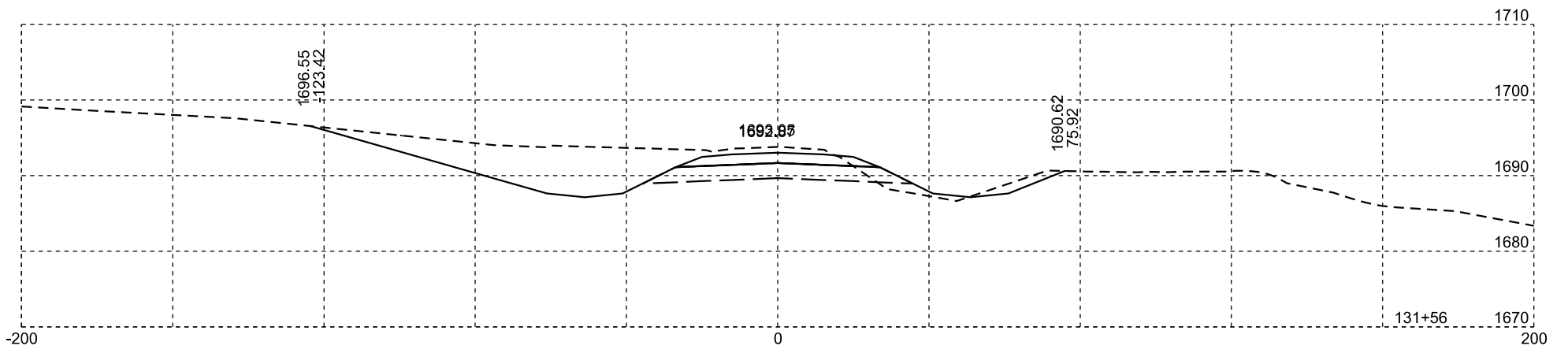
Plotting Date: 10/23/2024

STATE OF SOUTH DAKOTA	PROJECT	SHEET NO.	TOTAL SHEETS
	PH 0028(36)355	X25	X134



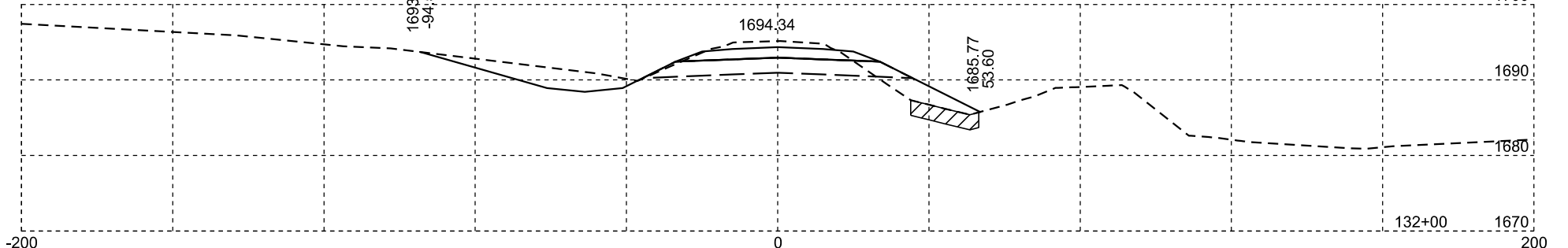
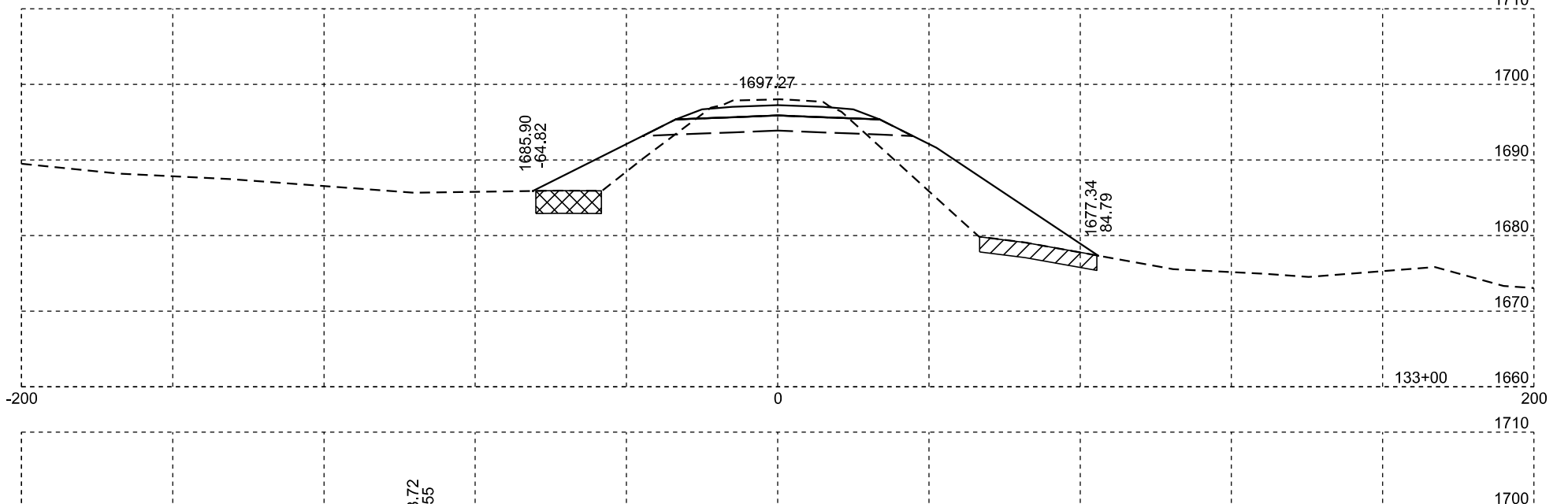
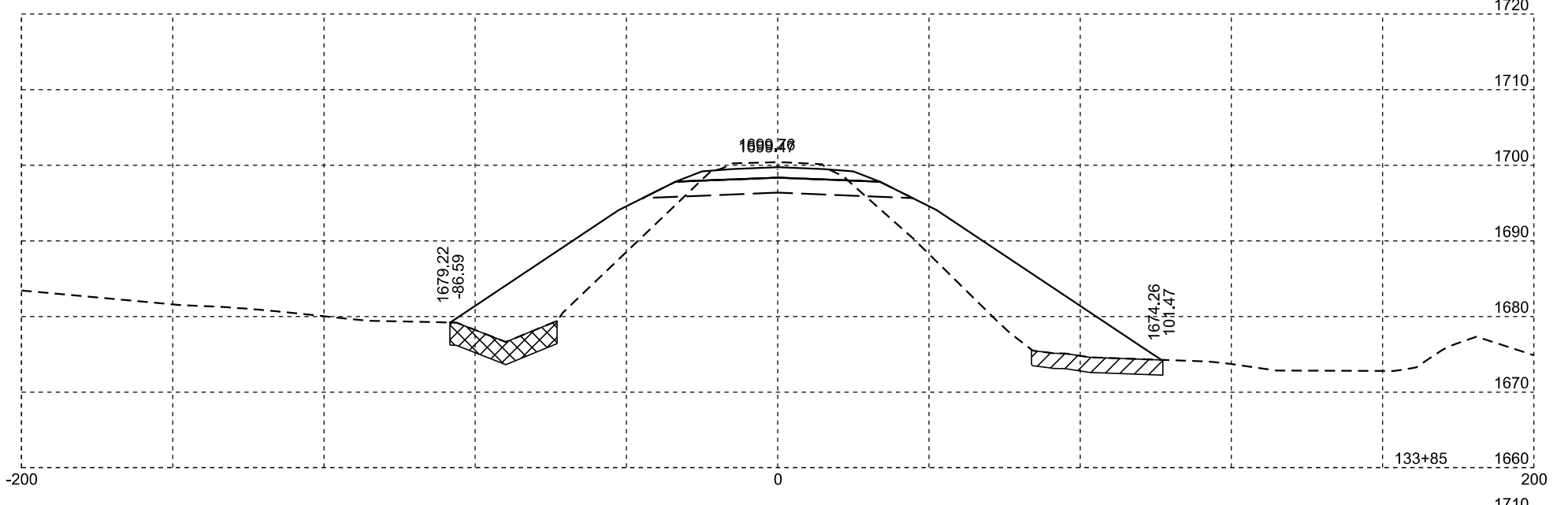
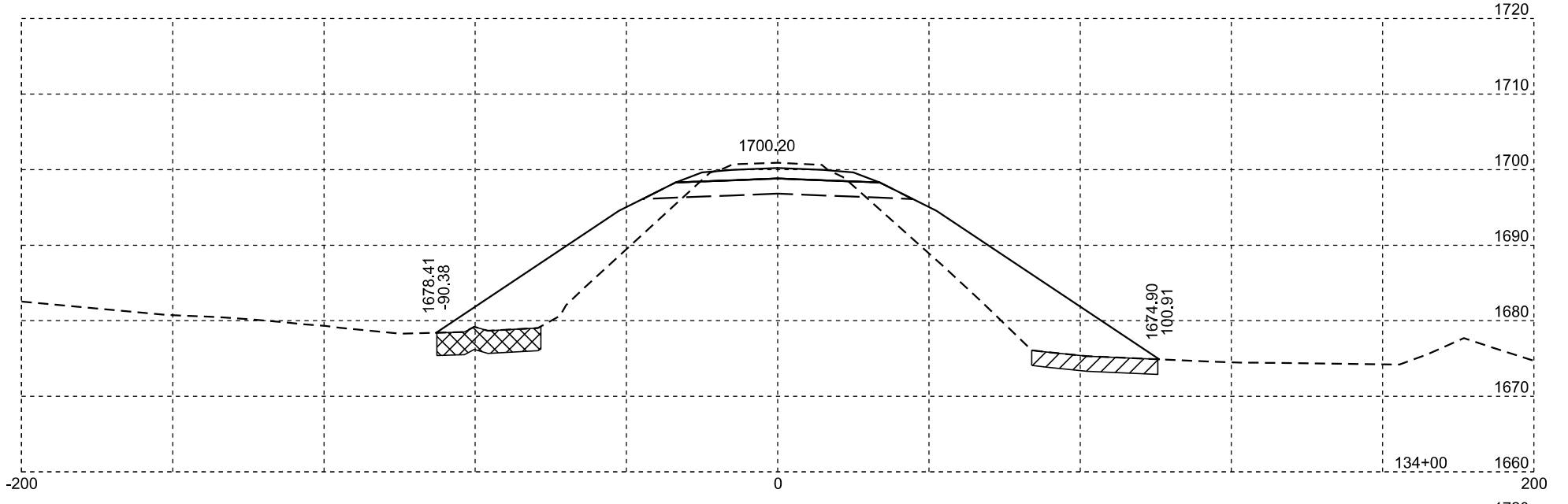
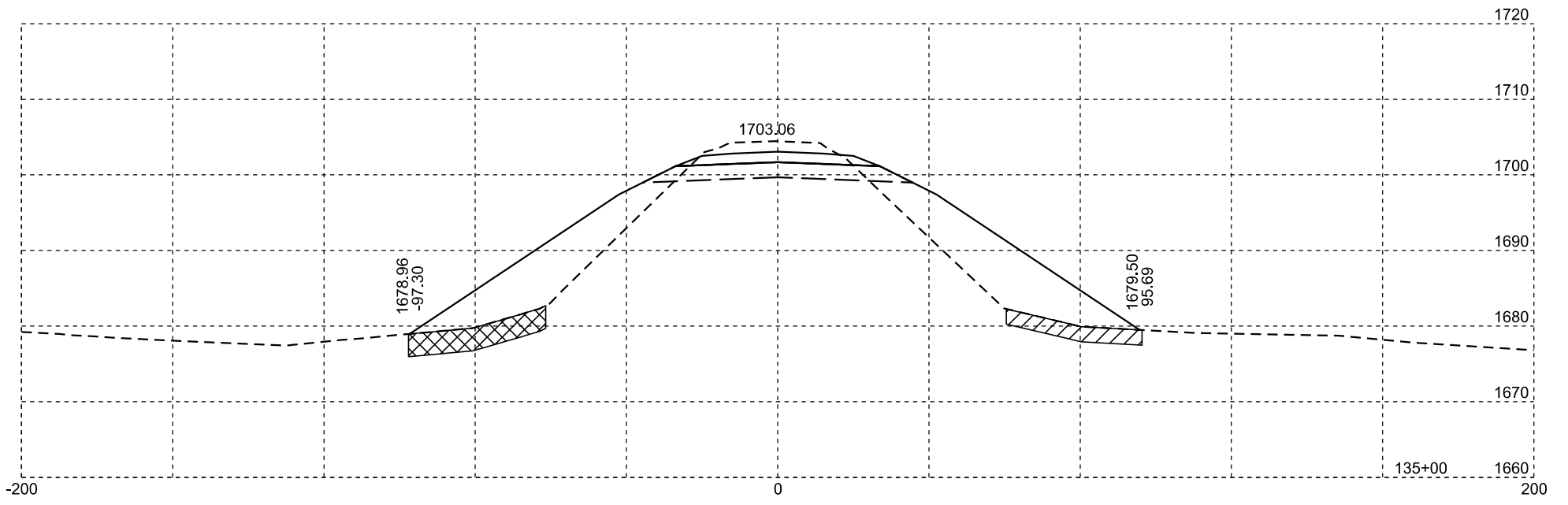
Plotting Date: 10/23/2024

STATE OF SOUTH DAKOTA	PROJECT	SHEET NO.	TOTAL SHEETS
	PH 0028(36)355	X26	X134



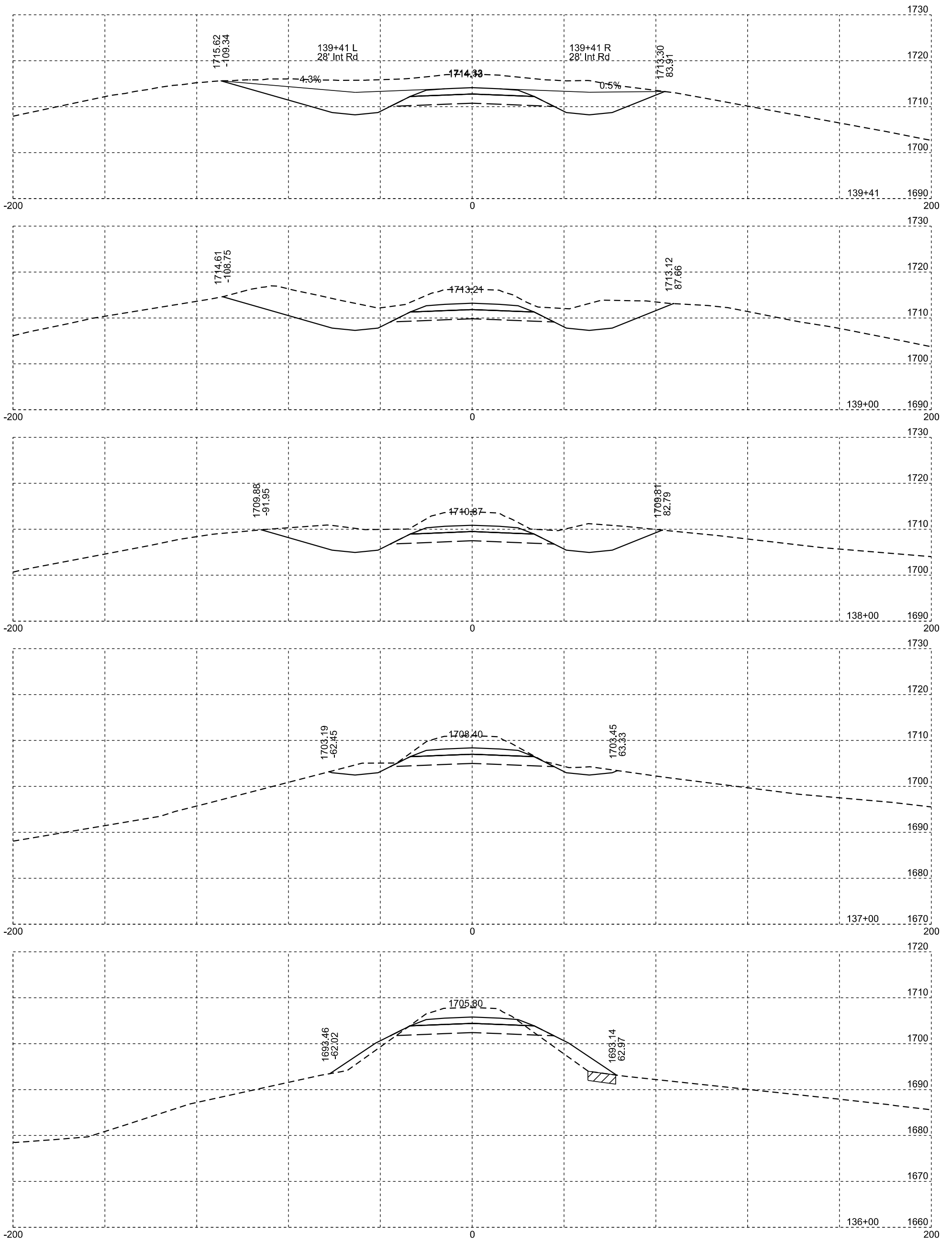
Plotting Date: 10/23/2024

STATE OF SOUTH DAKOTA	PROJECT	SHEET NO.	TOTAL SHEETS
	PH 0028(36)355	X27	X134



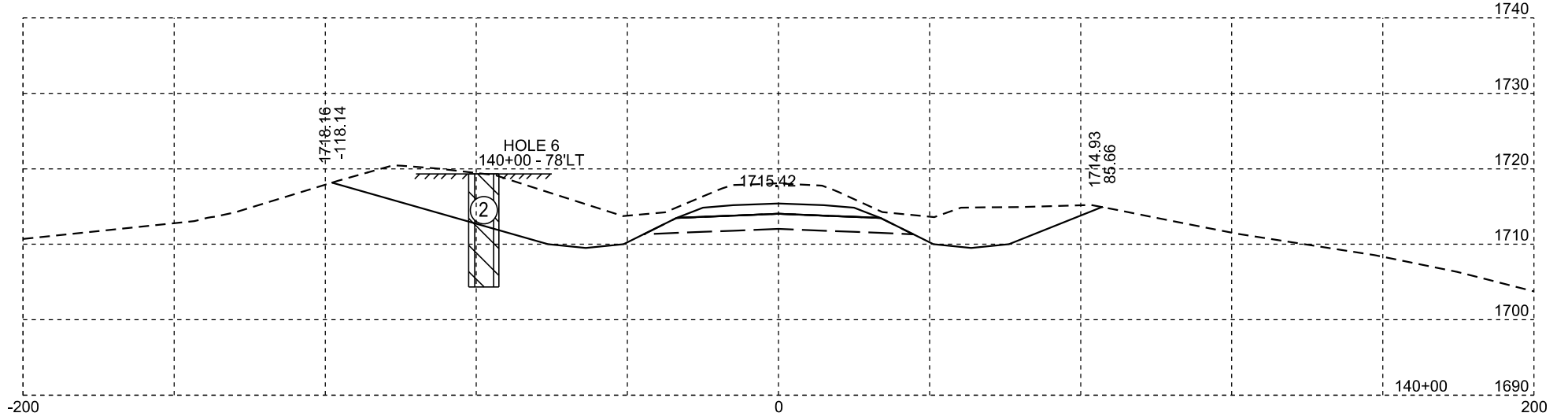
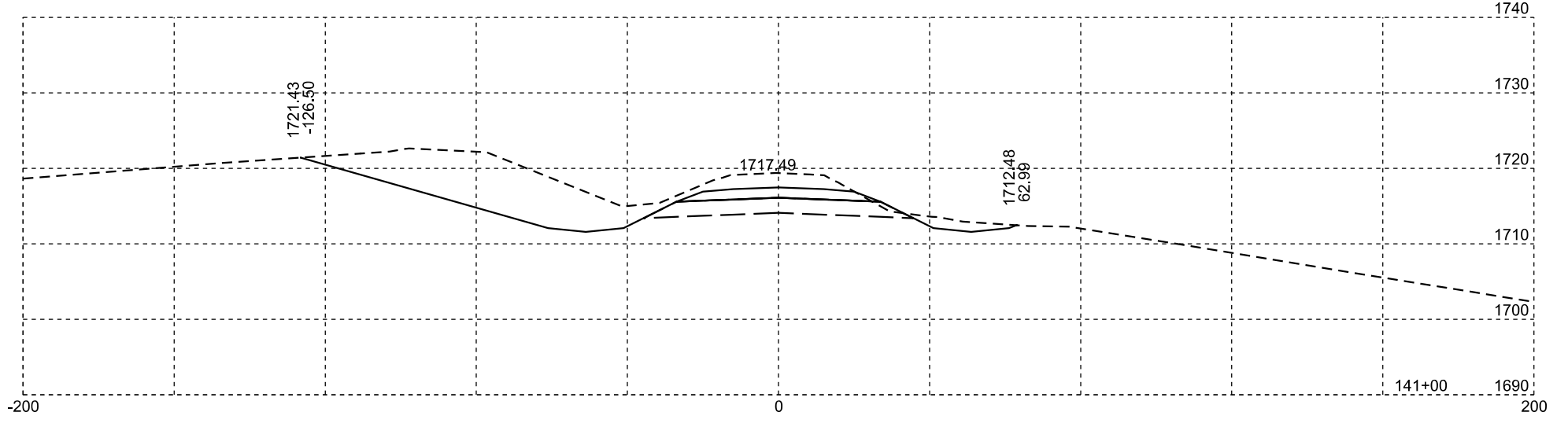
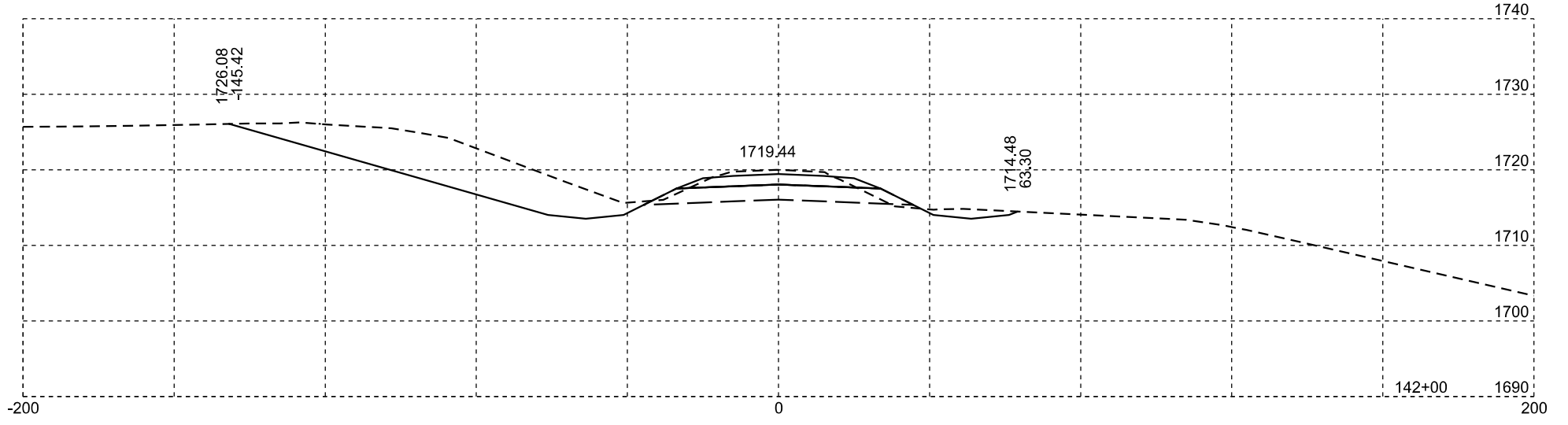
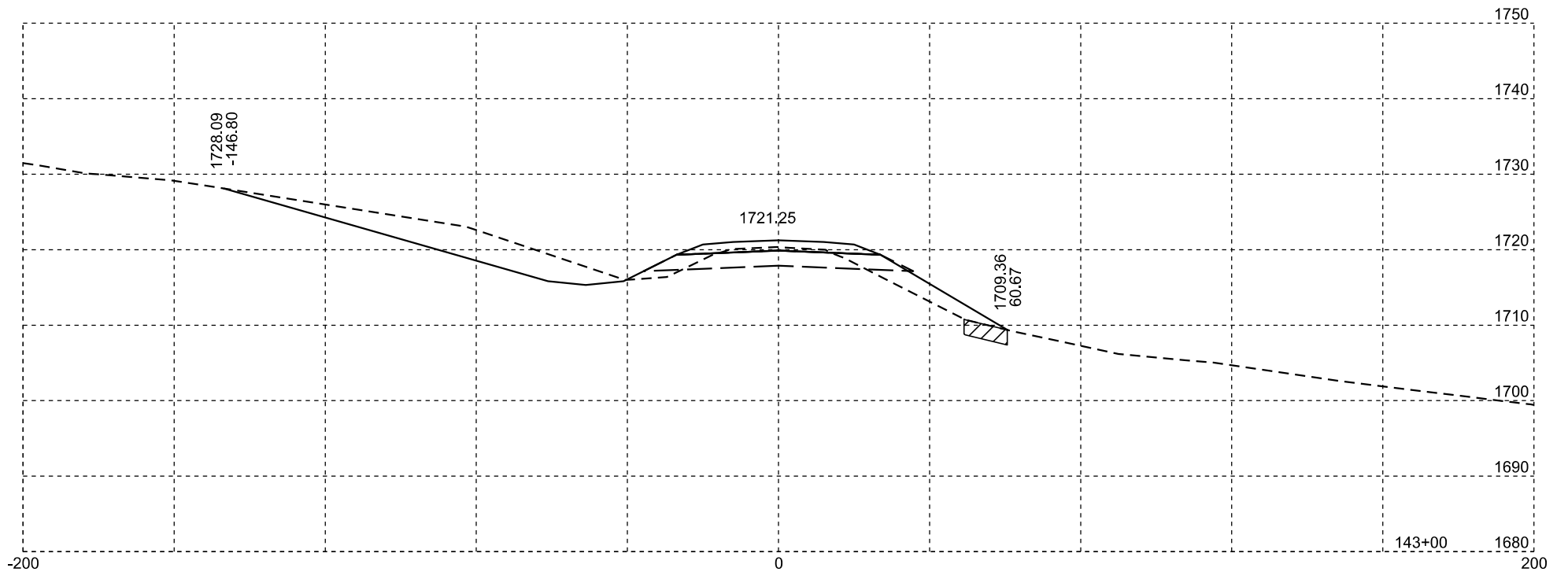
Plotting Date: 10/23/2024

STATE OF SOUTH DAKOTA	PROJECT	SHEET NO.	TOTAL SHEETS
	PH 0028(36)355	X28	X134



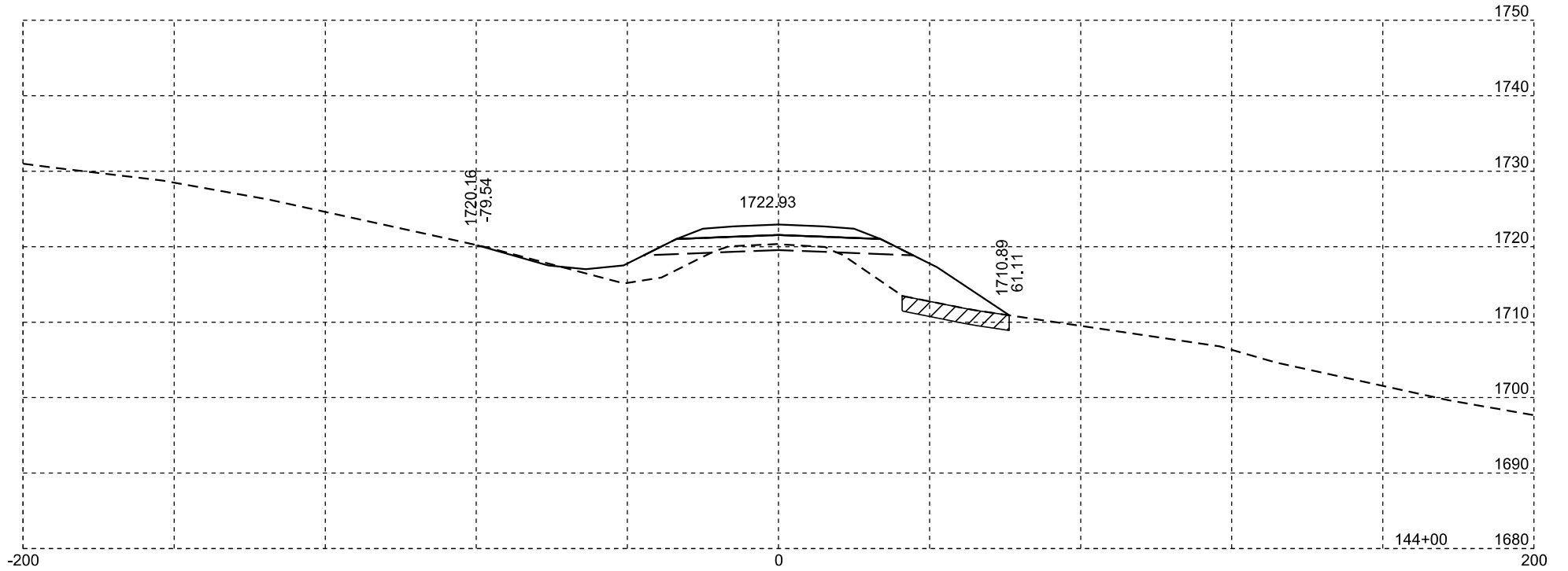
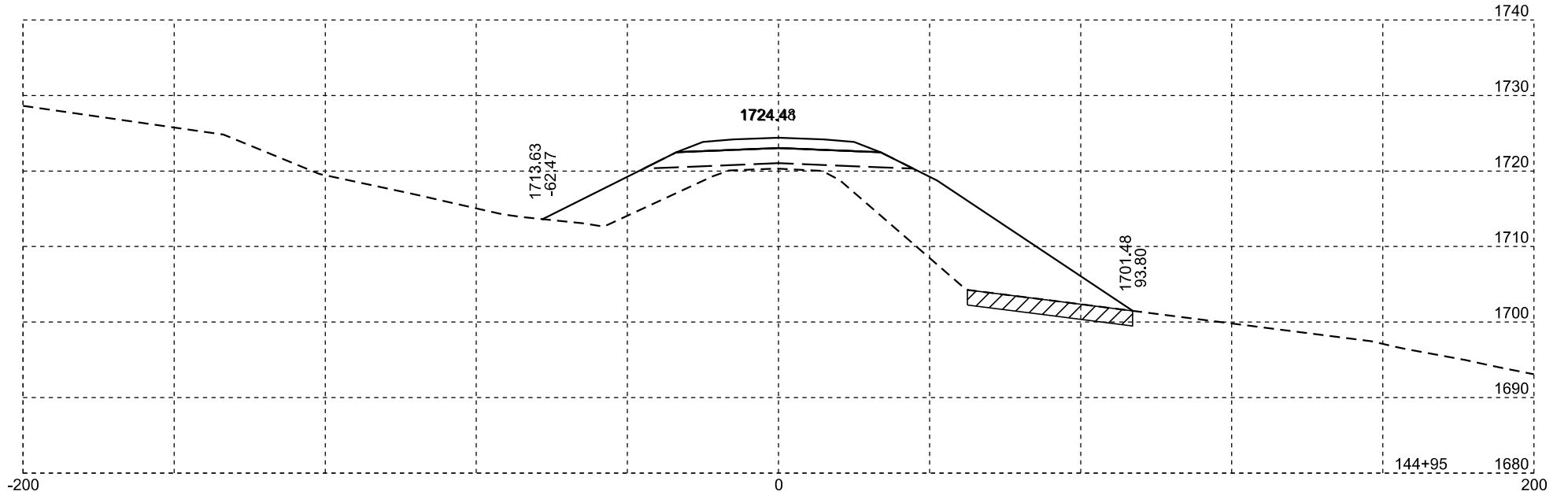
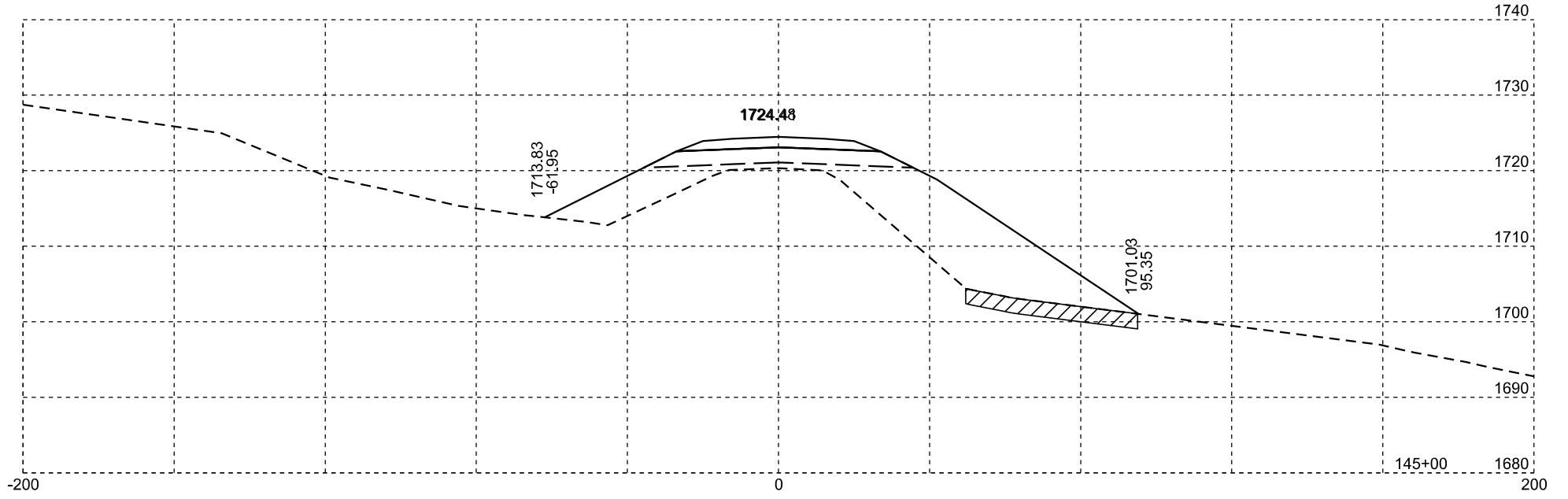
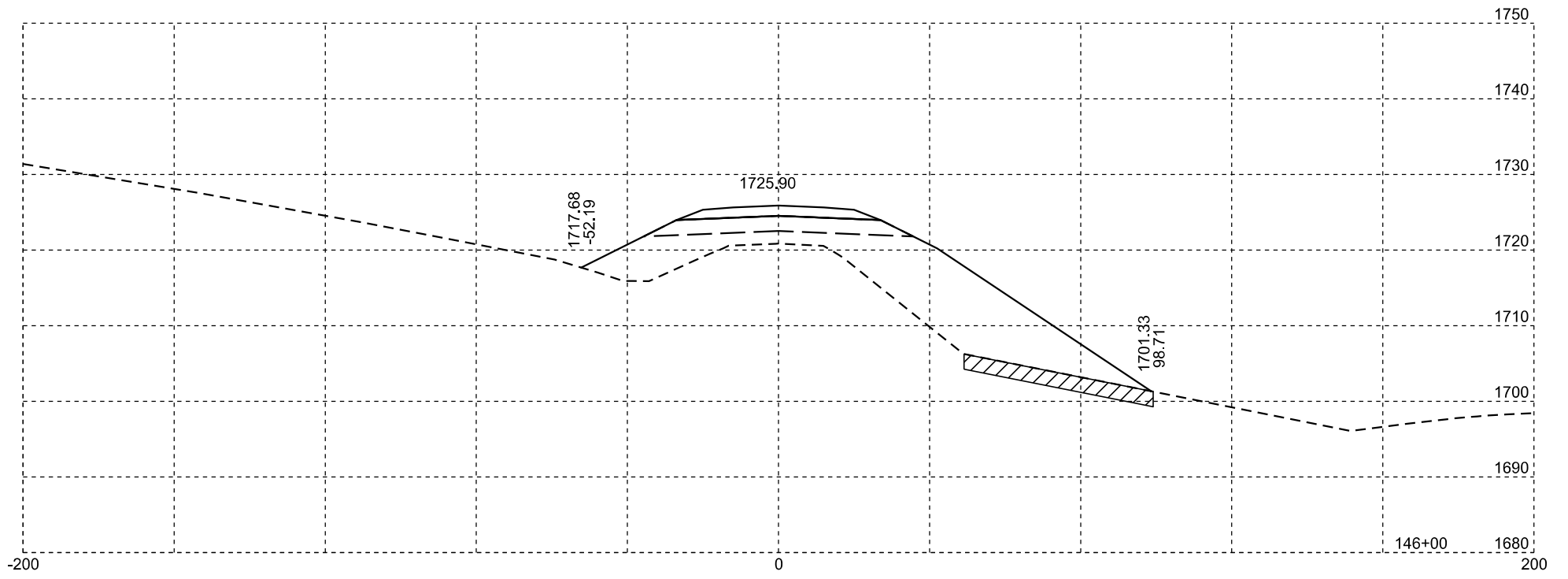
Plotting Date: 10/23/2024

STATE OF SOUTH DAKOTA	PROJECT	SHEET NO.	TOTAL SHEETS
	PH 0028(36)355	X29	X134



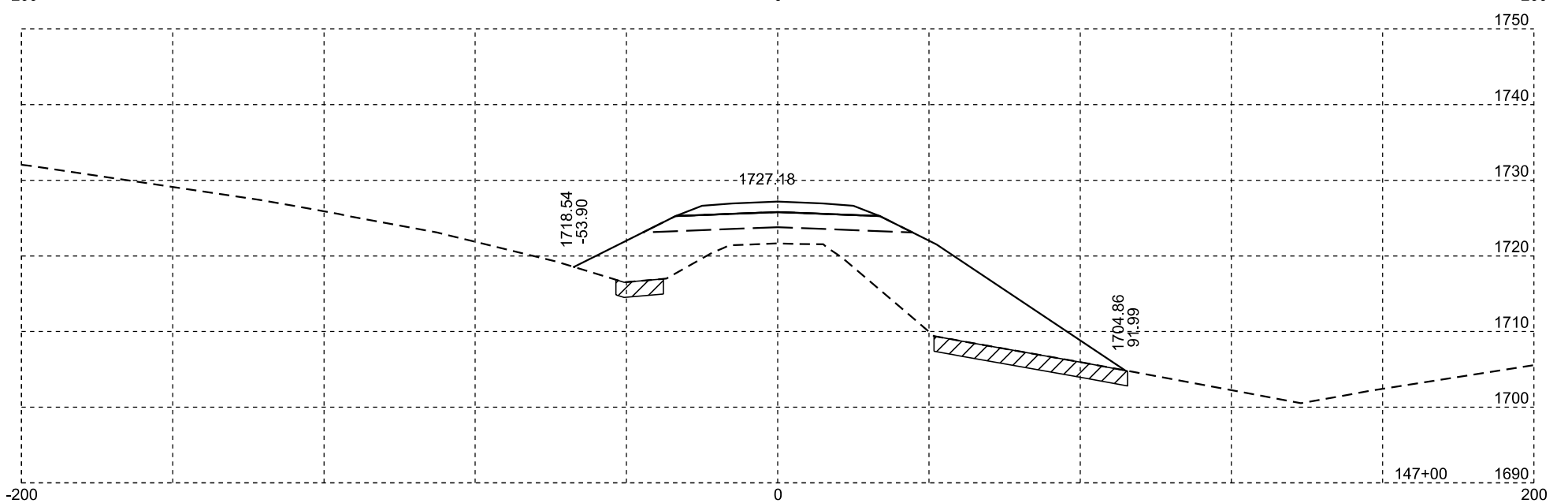
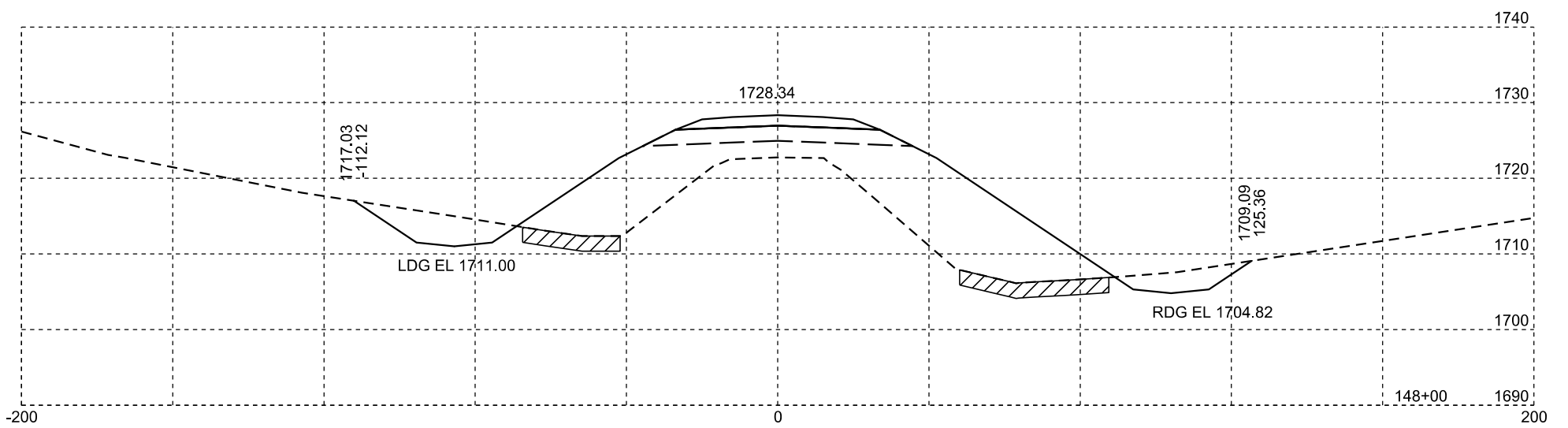
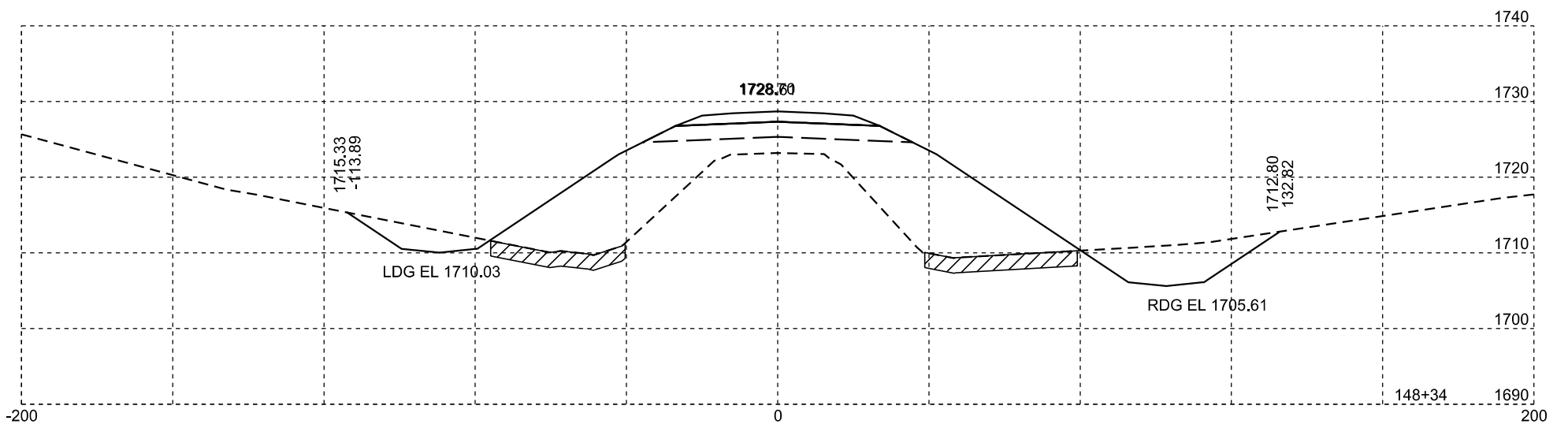
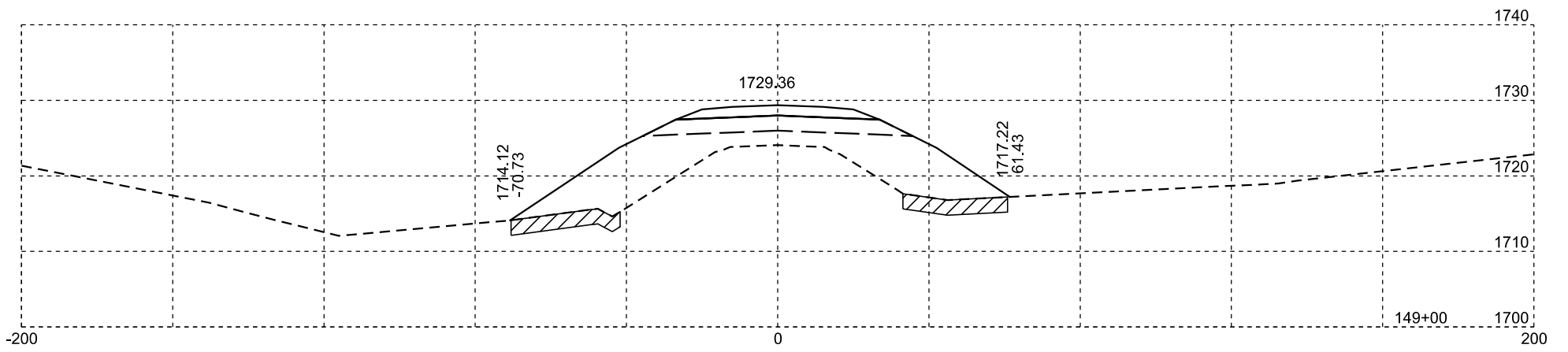
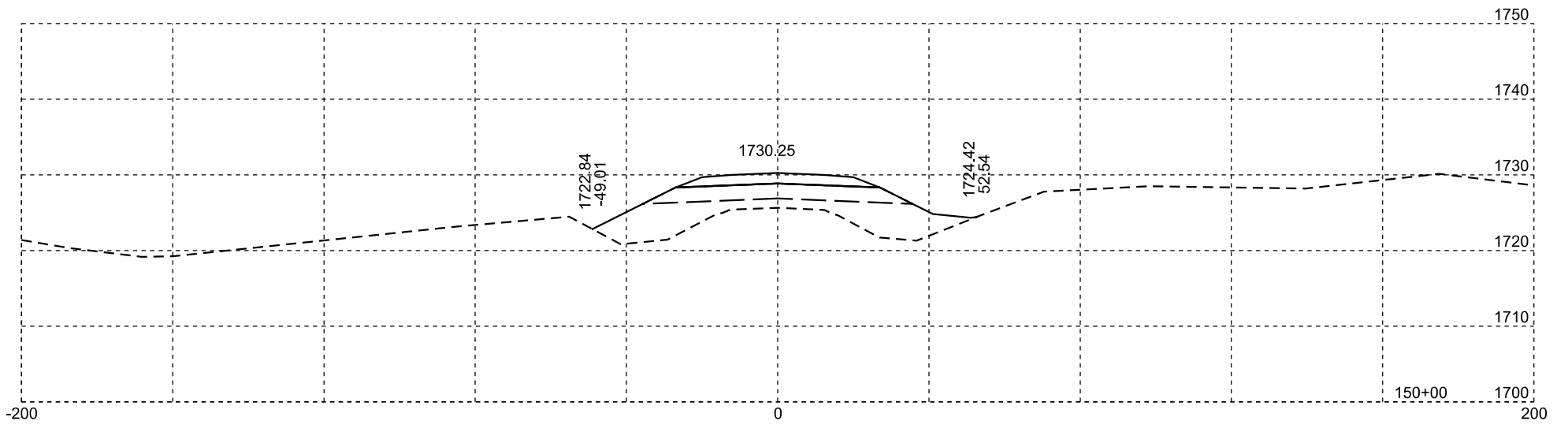
Plotting Date: 10/23/2024

STATE OF SOUTH DAKOTA	PROJECT	SHEET NO.	TOTAL SHEETS
	PH 0028(36)355	X30	X134



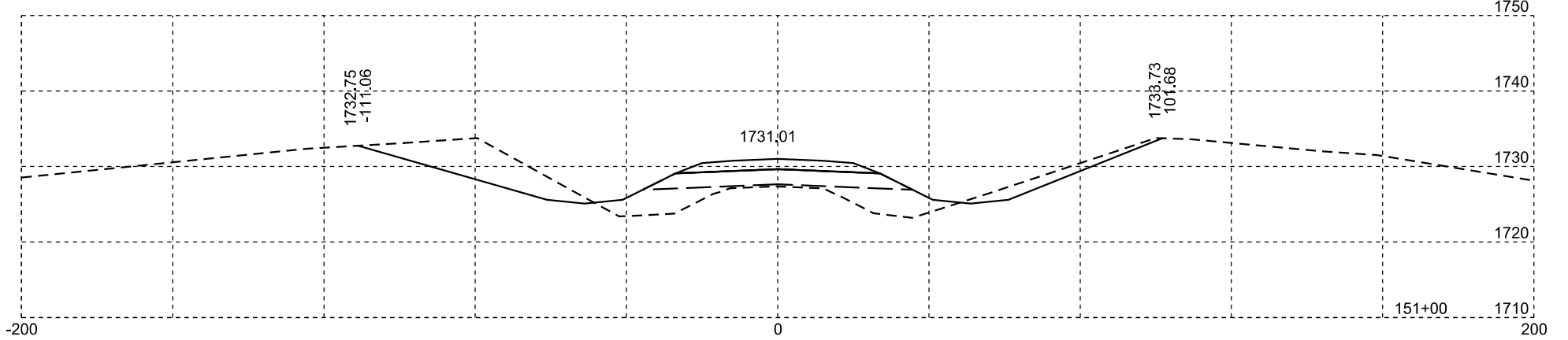
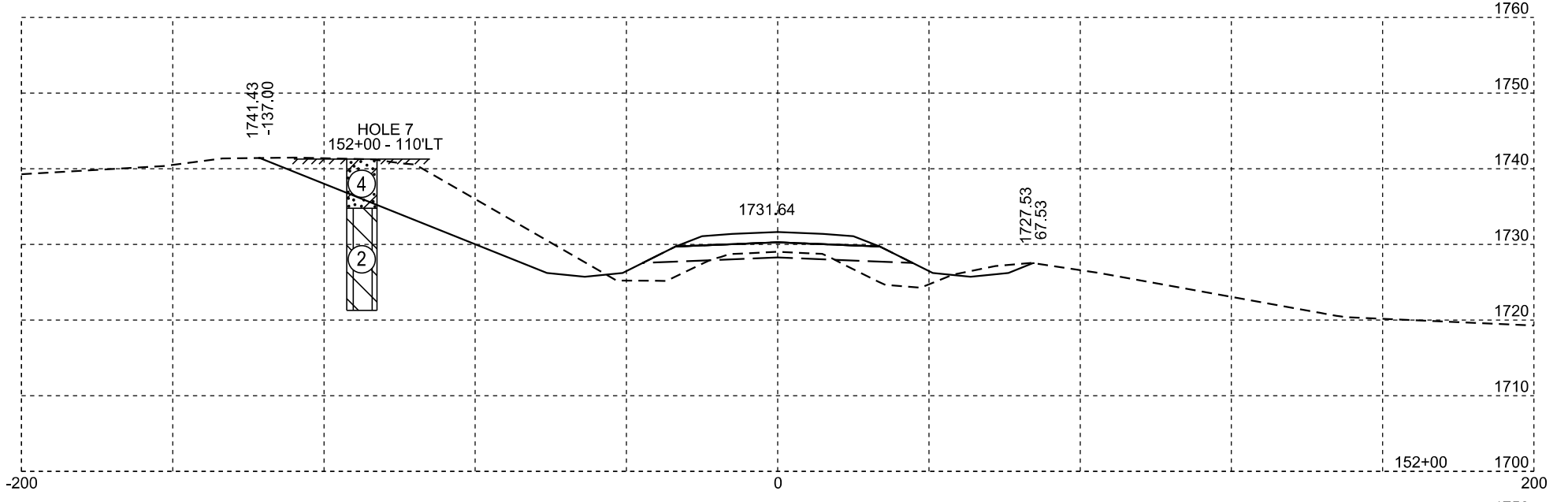
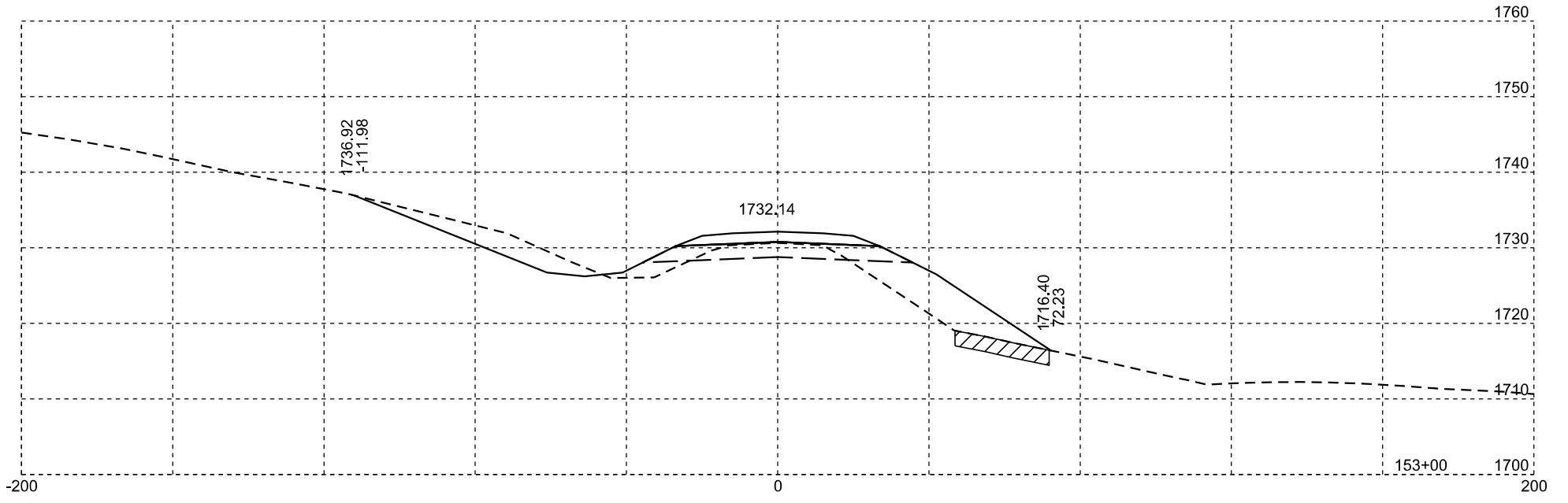
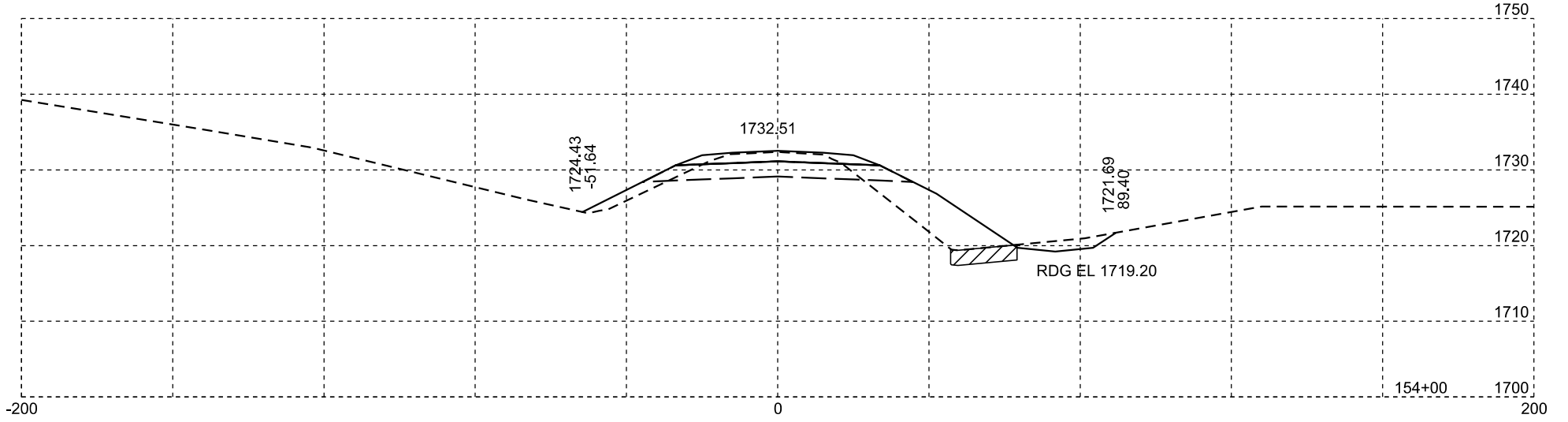
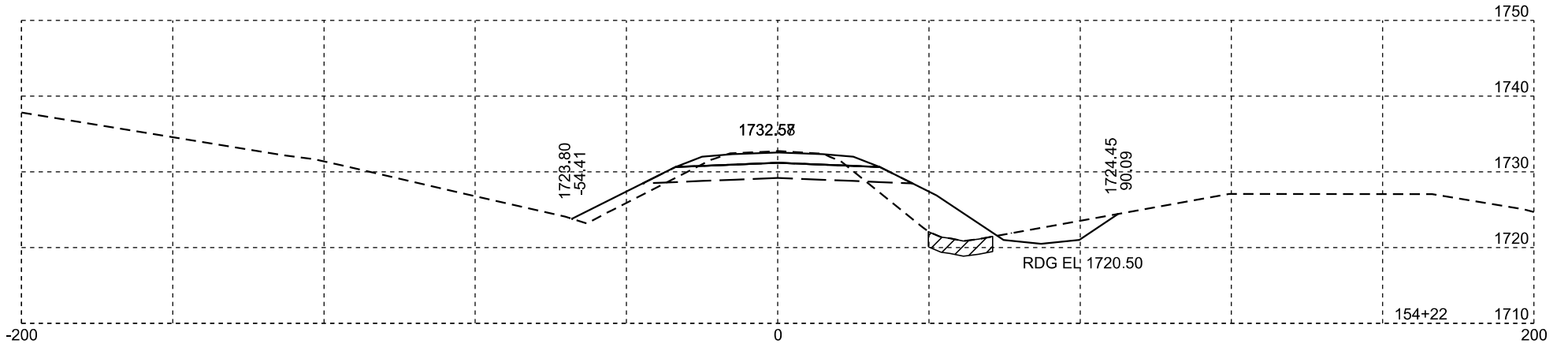
Plotting Date: 10/23/2024

STATE OF SOUTH DAKOTA	PROJECT	SHEET NO.	TOTAL SHEETS
	PH 0028(36)355	X31	X134



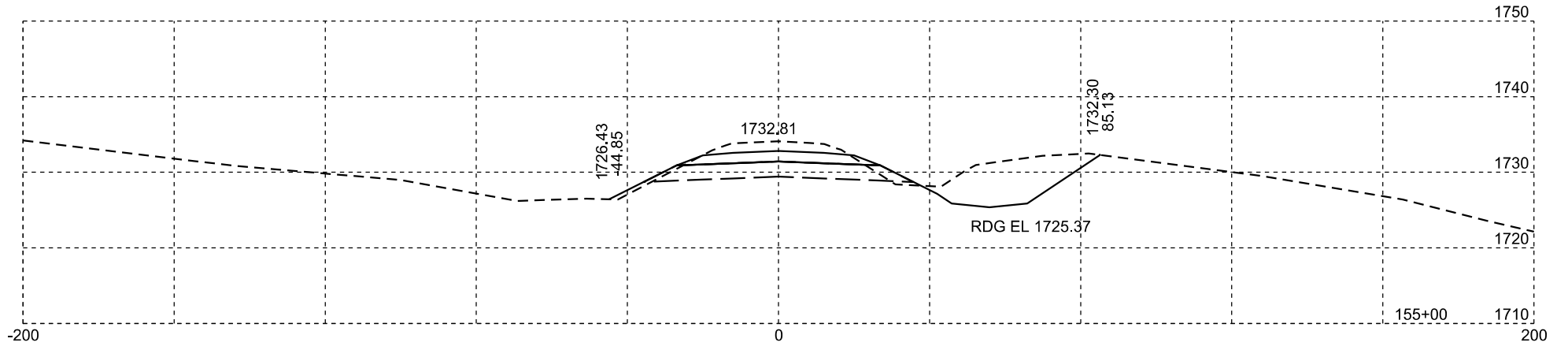
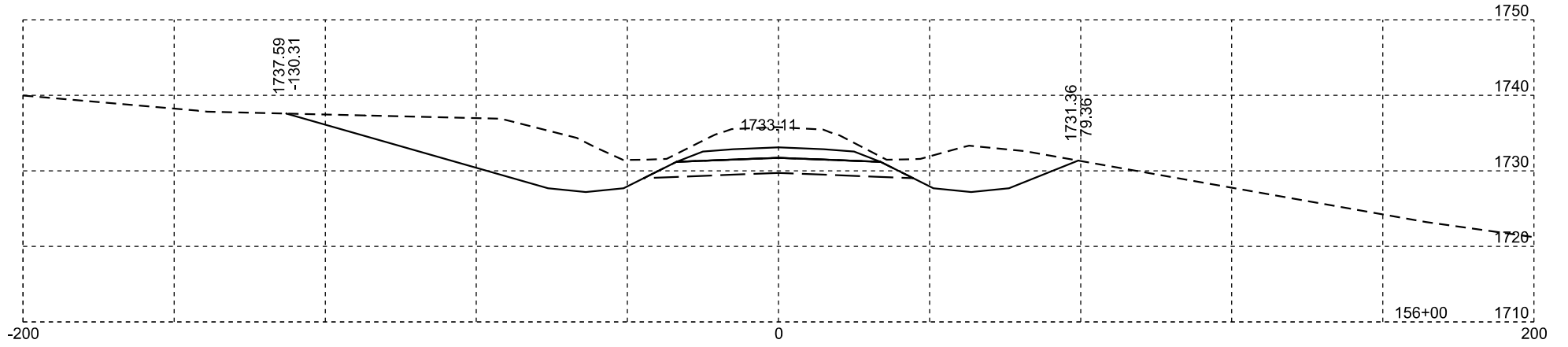
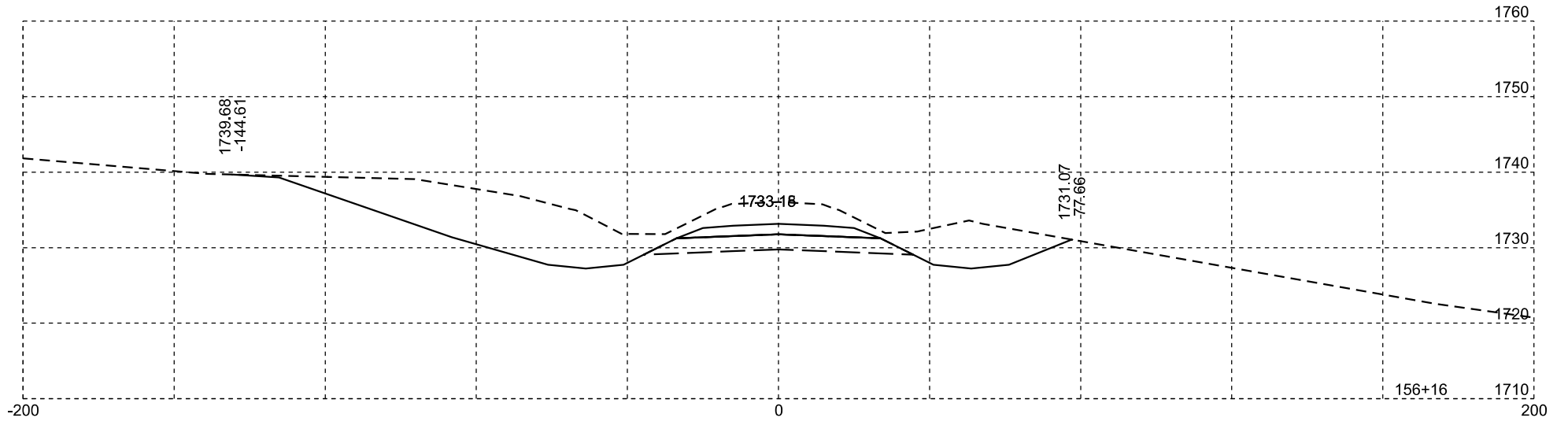
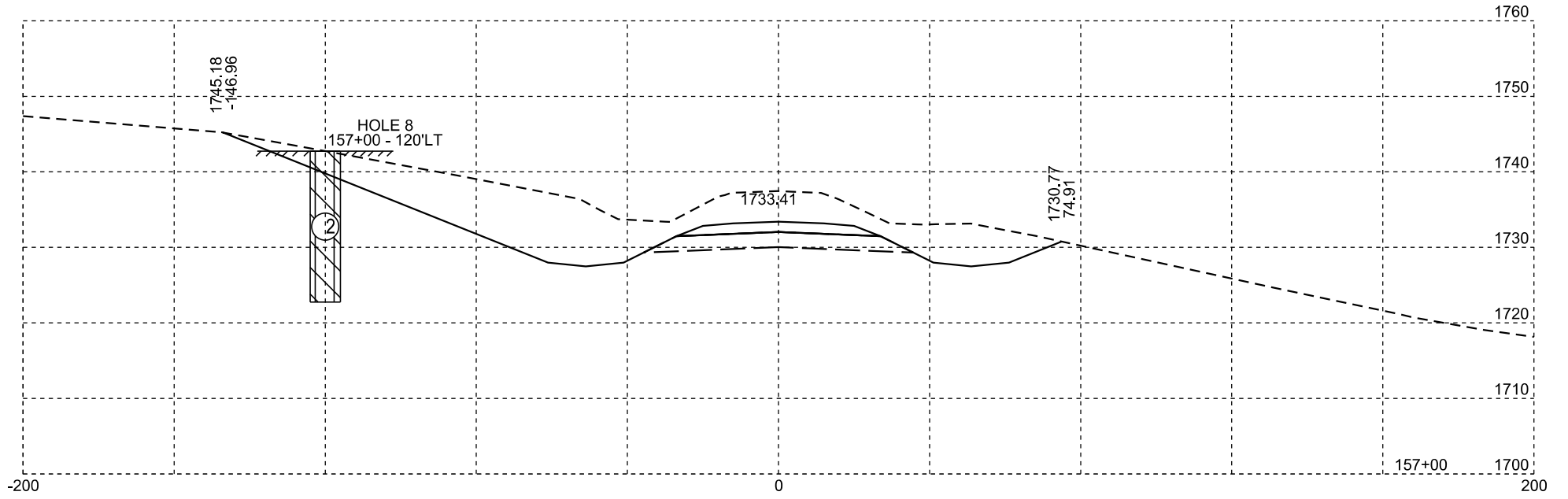
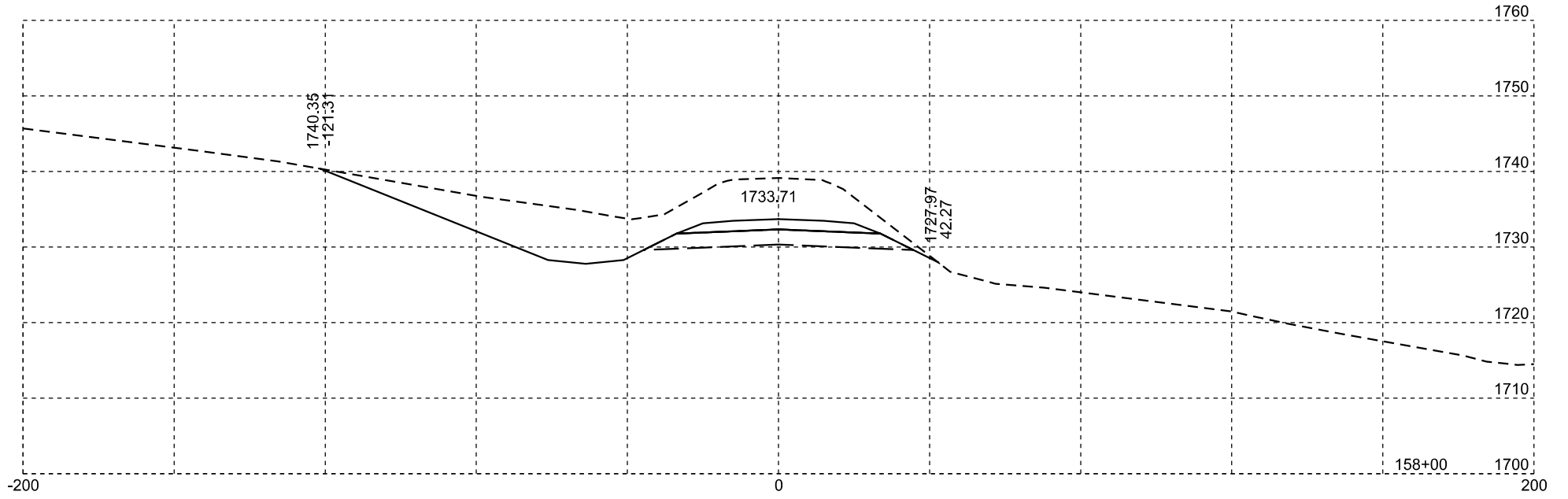
Plotting Date: 10/23/2024

STATE OF SOUTH DAKOTA	PROJECT	SHEET NO.	TOTAL SHEETS
	PH 0028(36)355	X32	X134



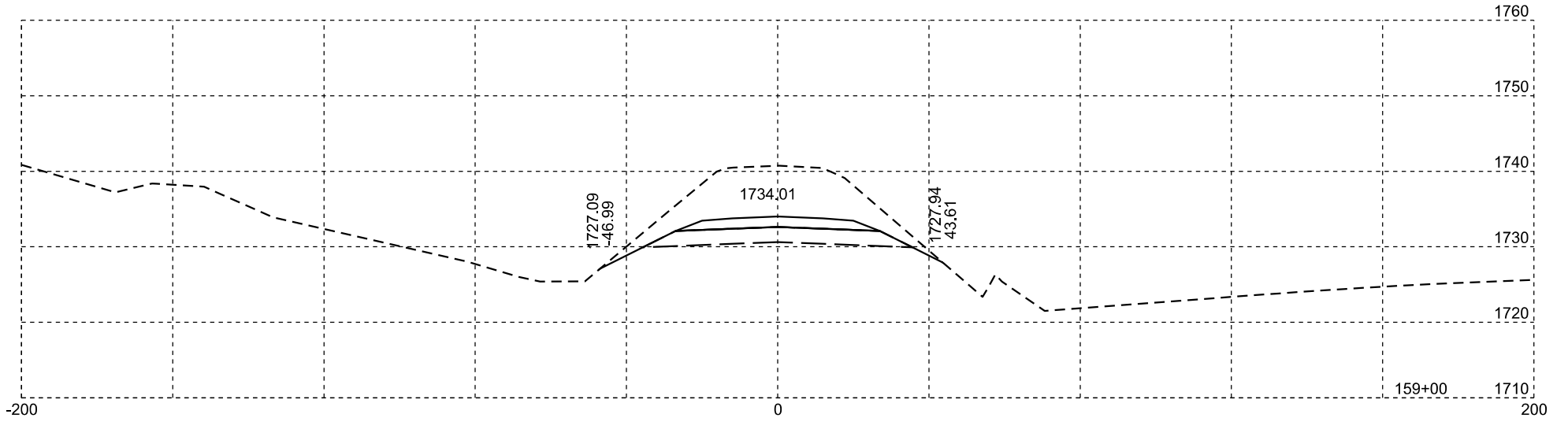
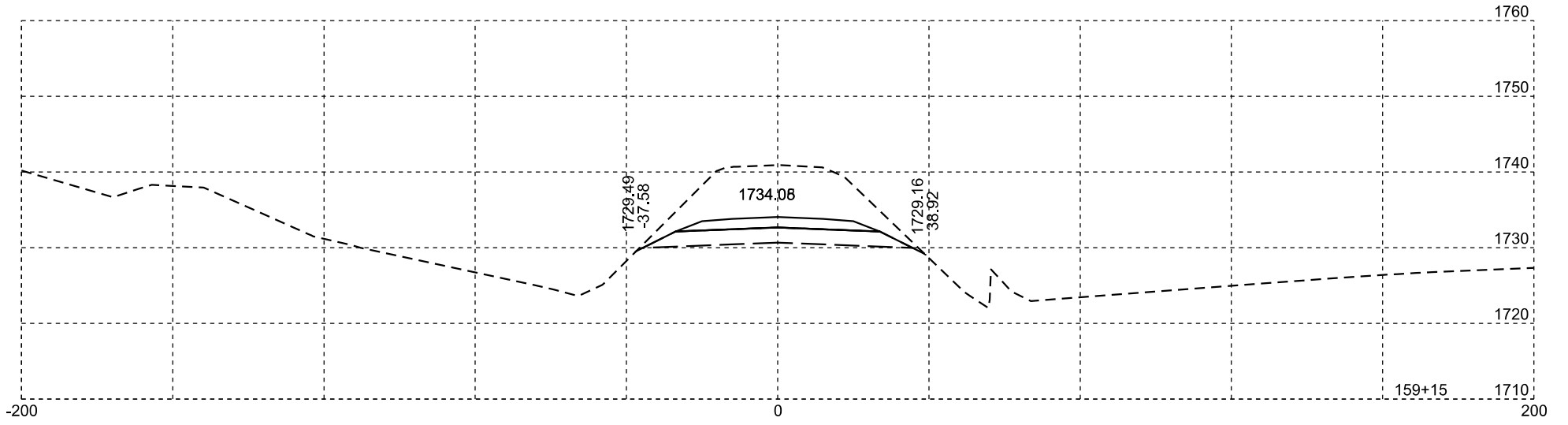
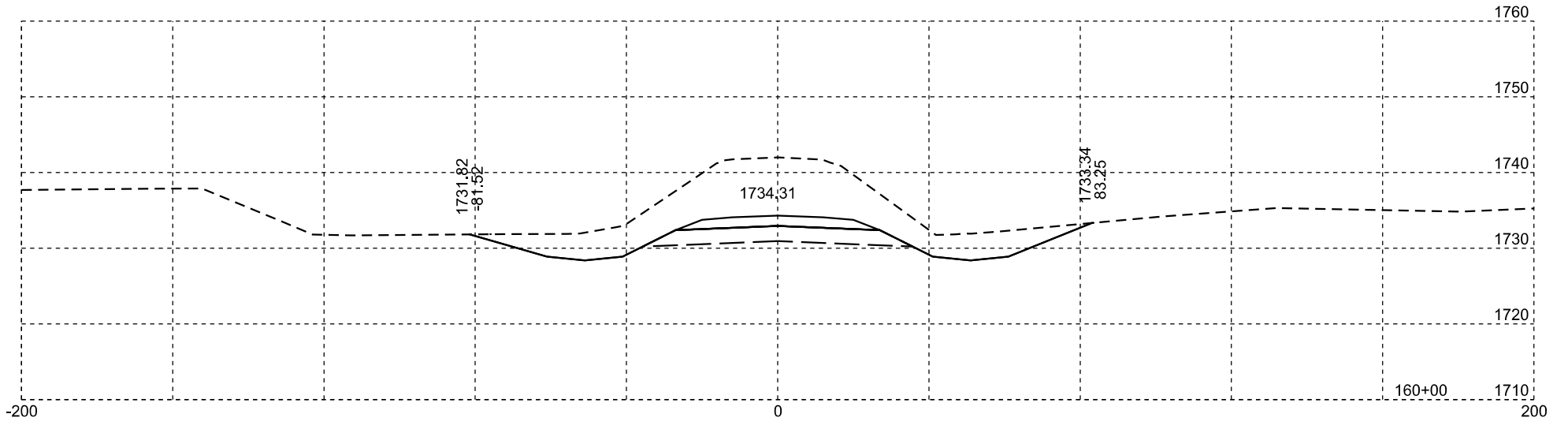
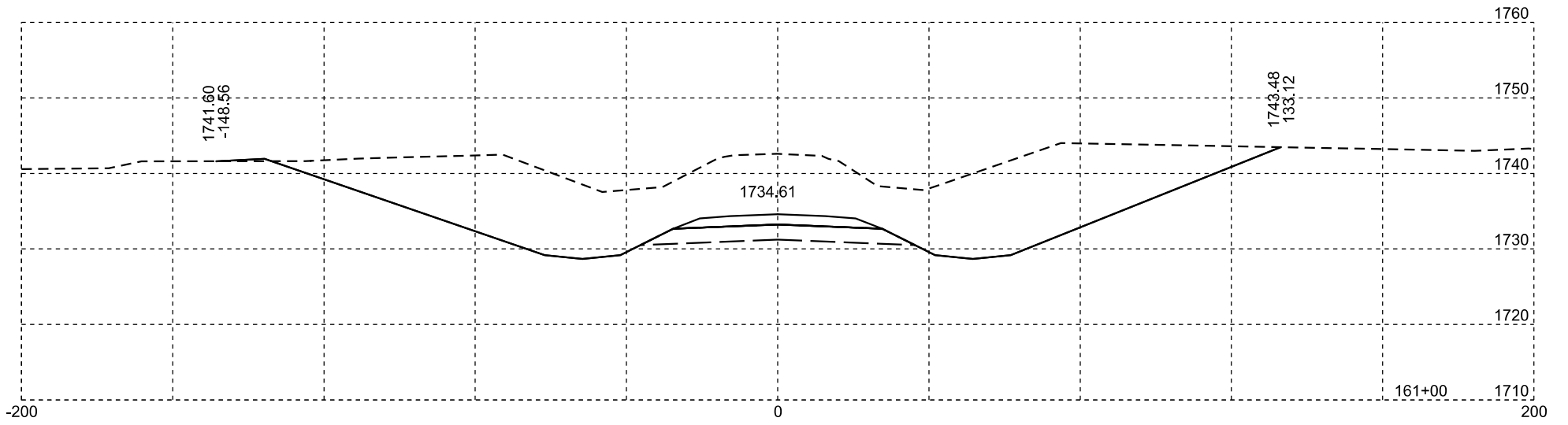
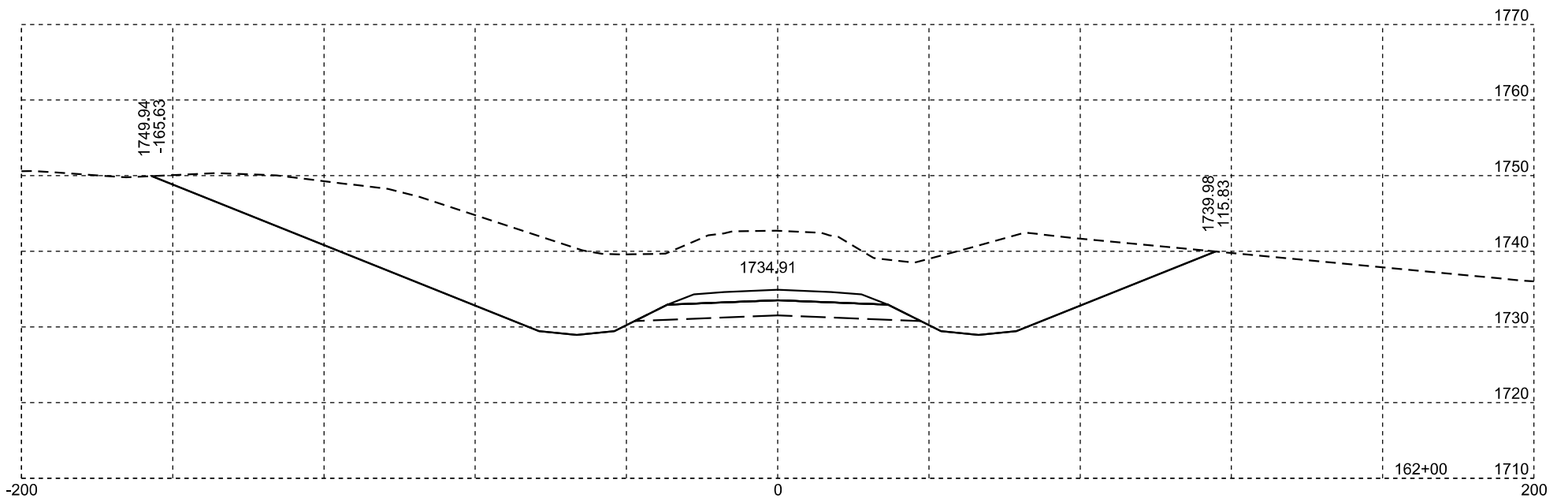
Plotting Date: 10/23/2024

STATE OF SOUTH DAKOTA	PROJECT	SHEET NO.	TOTAL SHEETS
	PH 0028(36)355	X33	X134



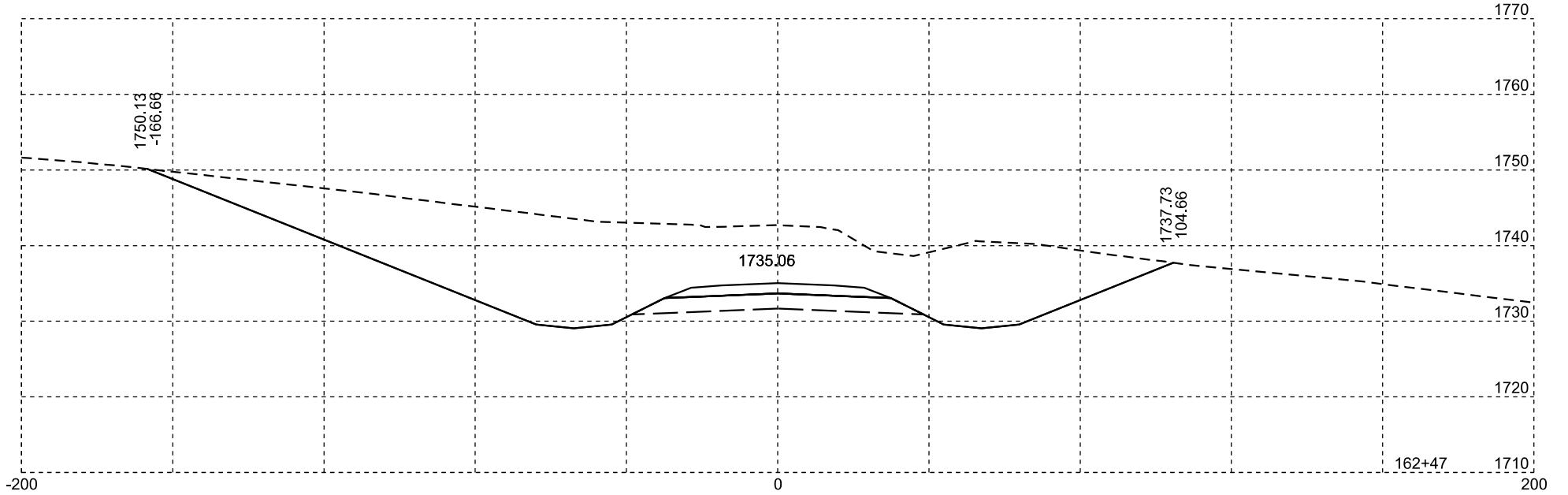
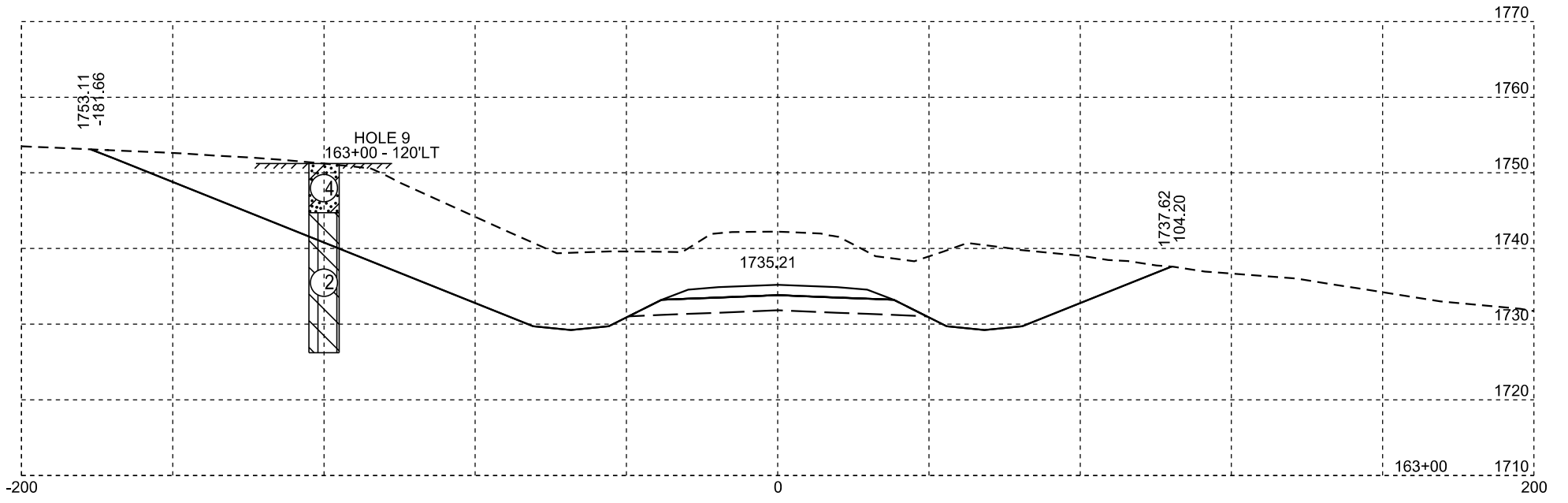
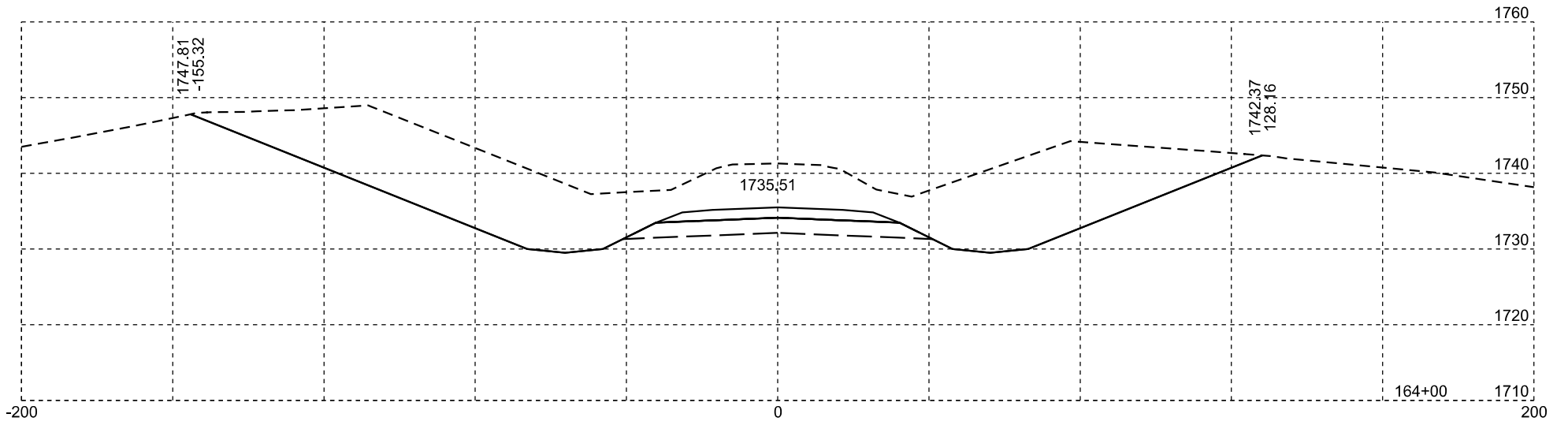
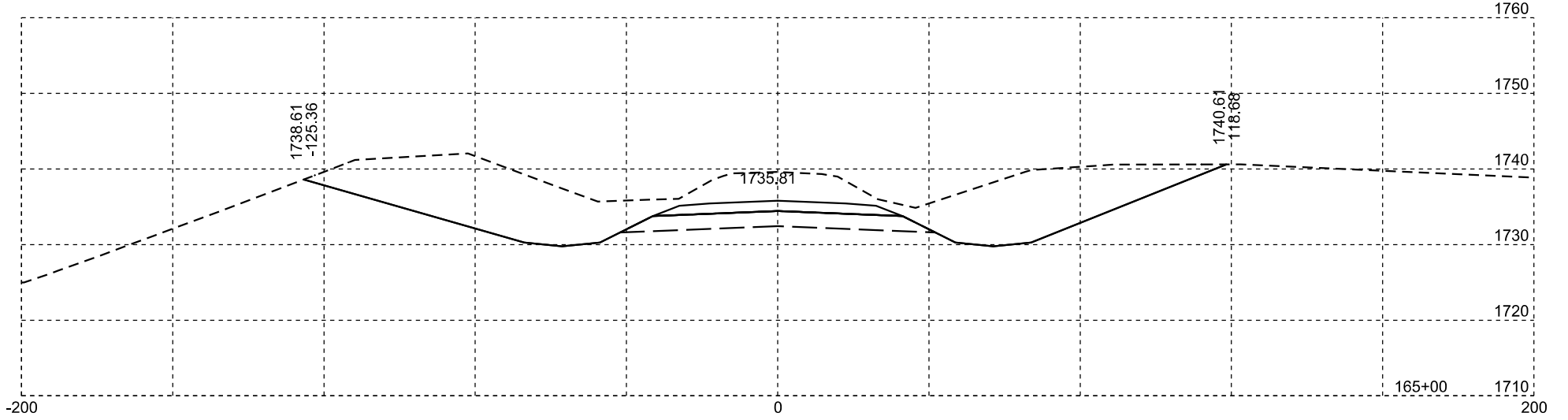
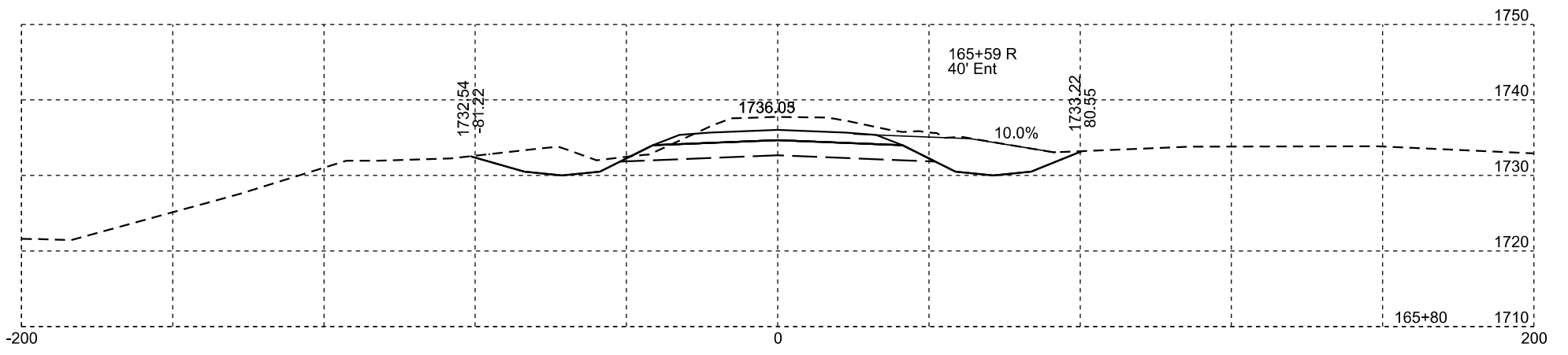
Plotting Date: 10/23/2024

STATE OF SOUTH DAKOTA	PROJECT	SHEET NO.	TOTAL SHEETS
	PH 0028(36)355	X34	X134



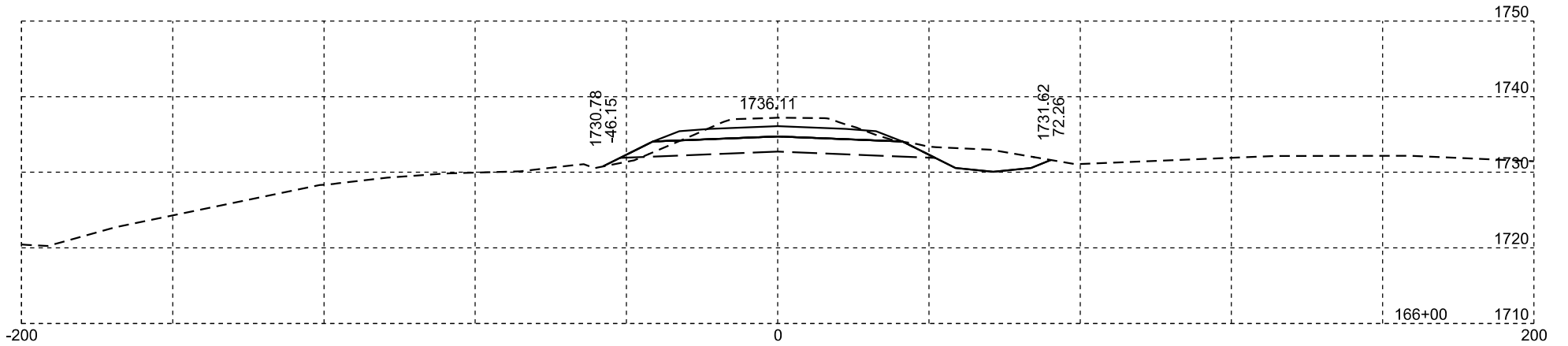
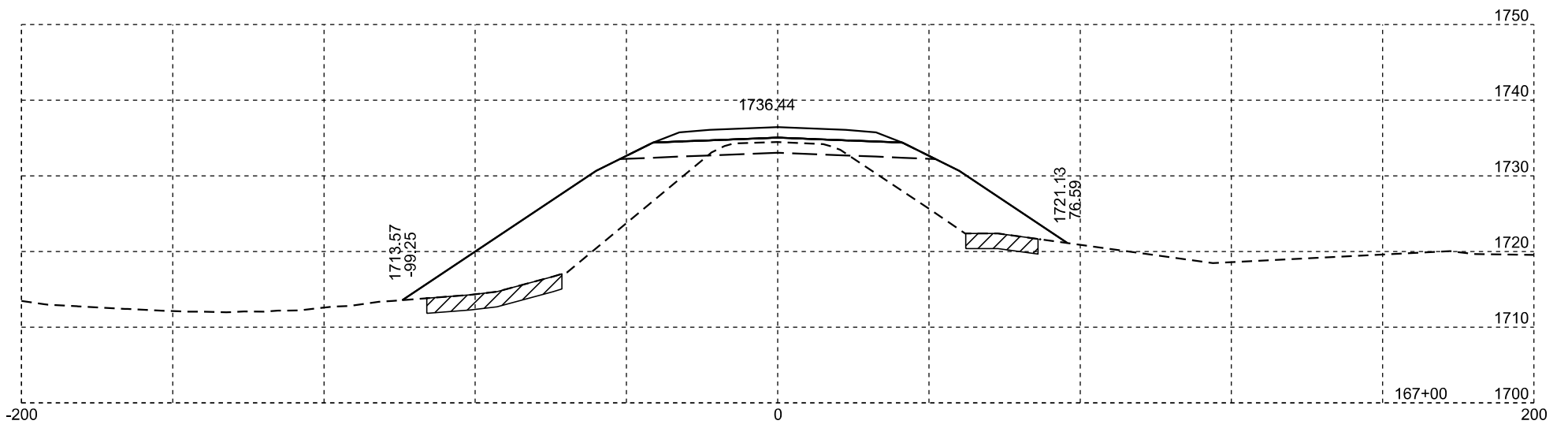
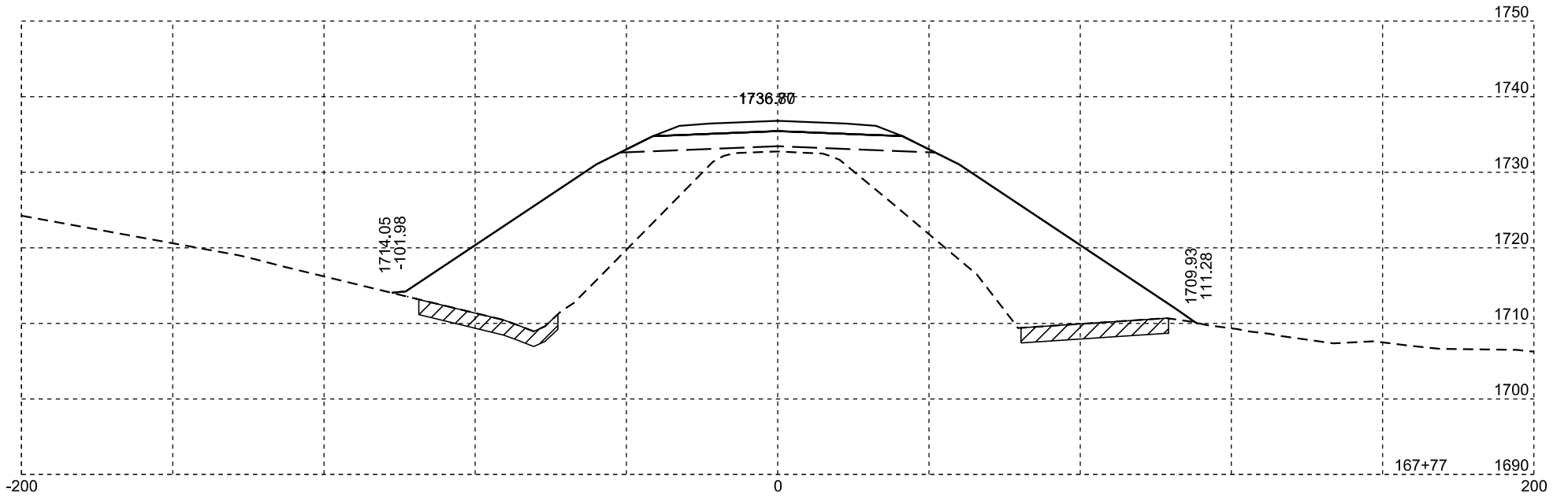
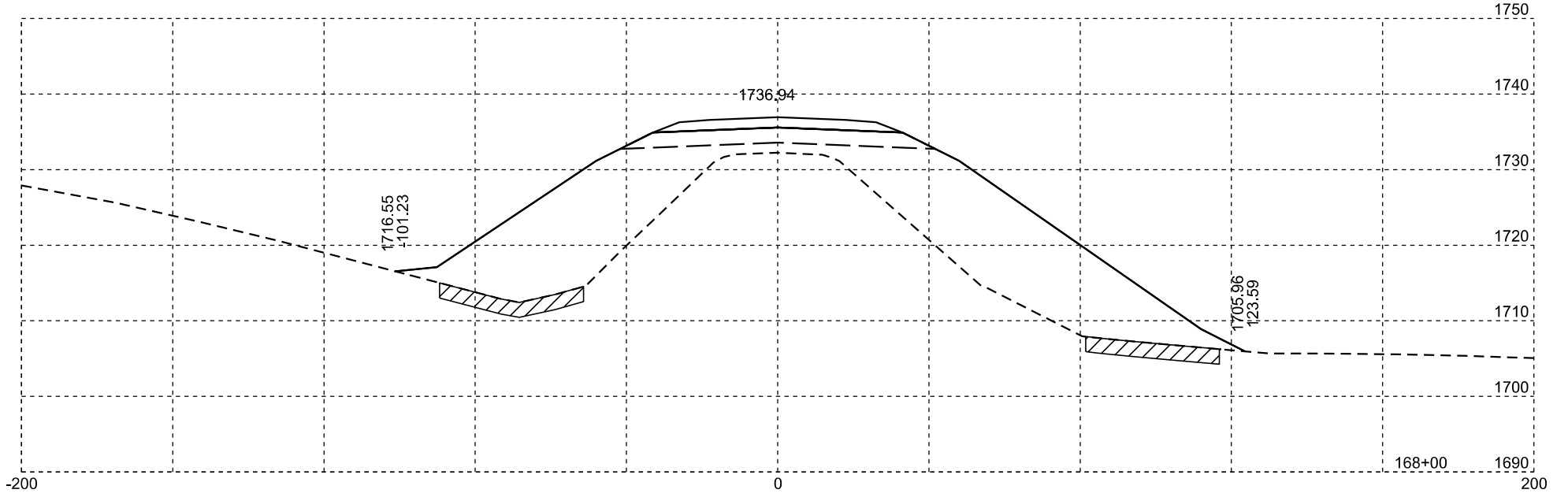
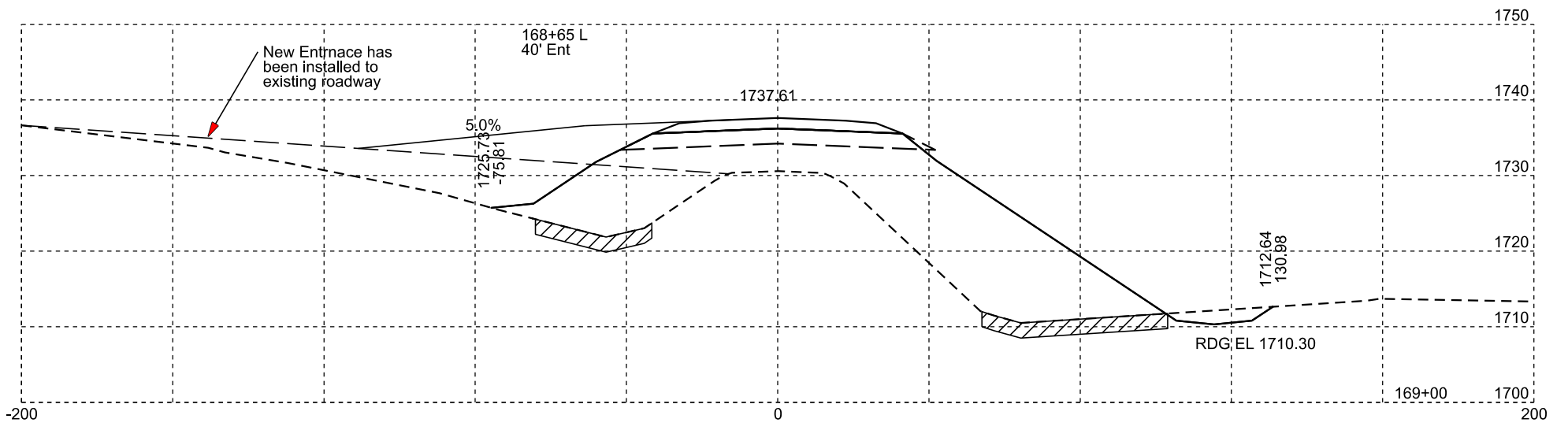
Plotting Date: 10/23/2024

STATE OF SOUTH DAKOTA	PROJECT	SHEET NO.	TOTAL SHEETS
	PH 0028(36)355	X35	X134



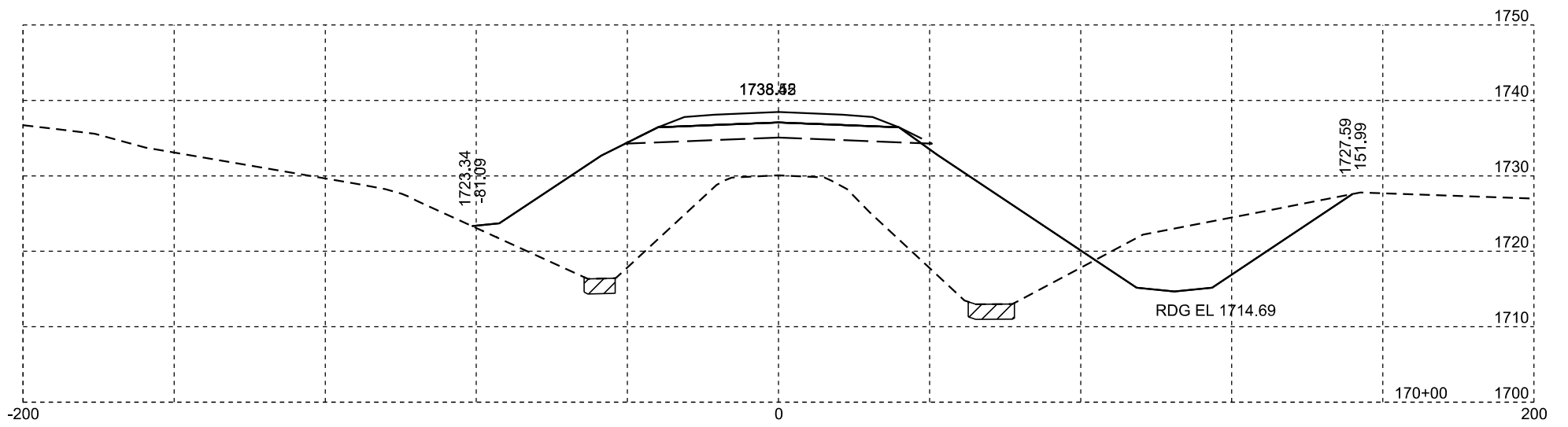
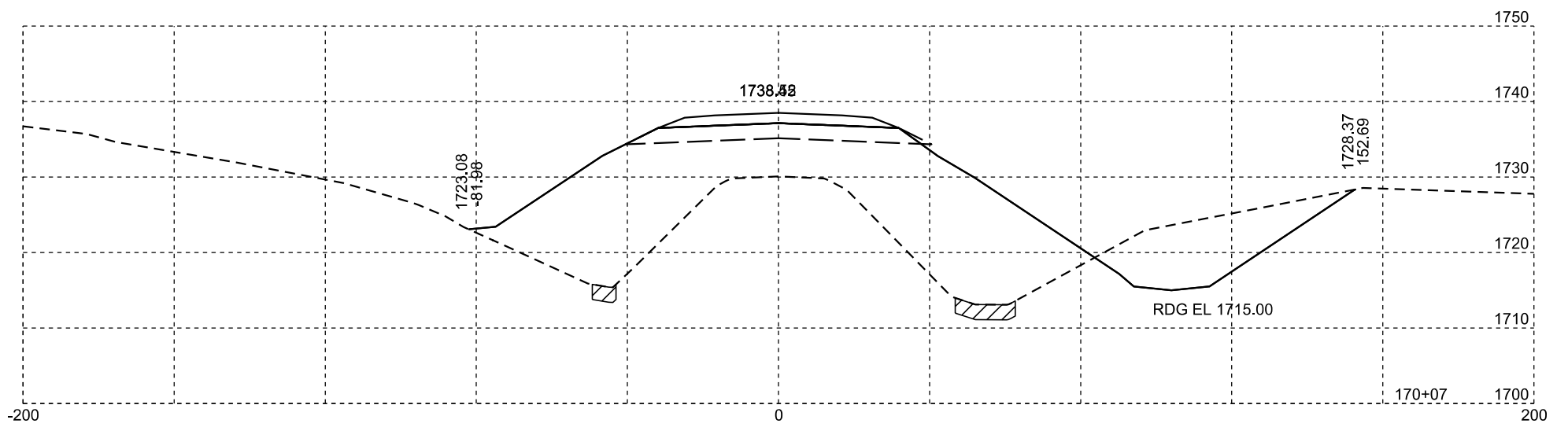
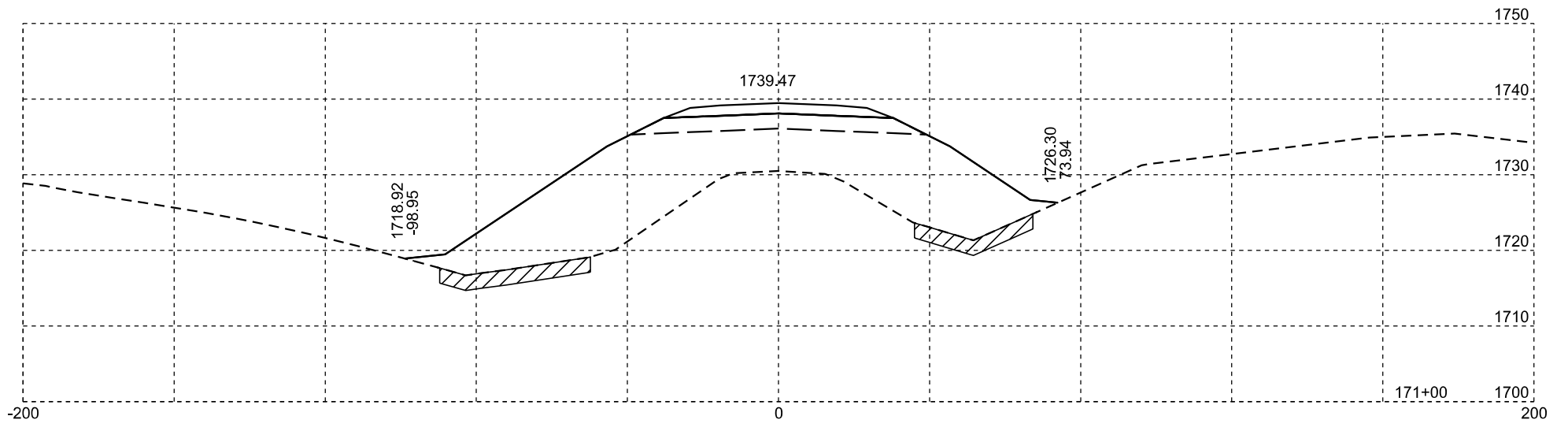
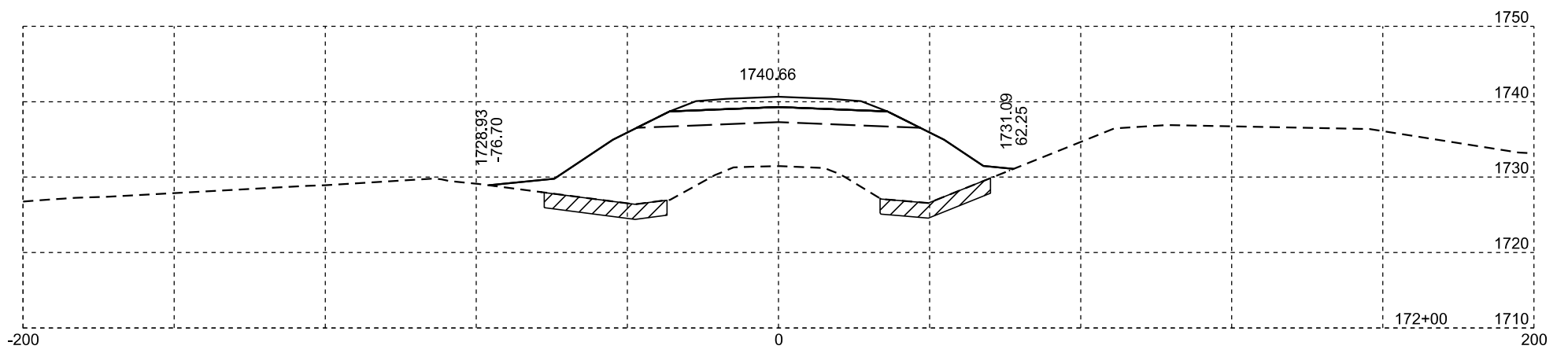
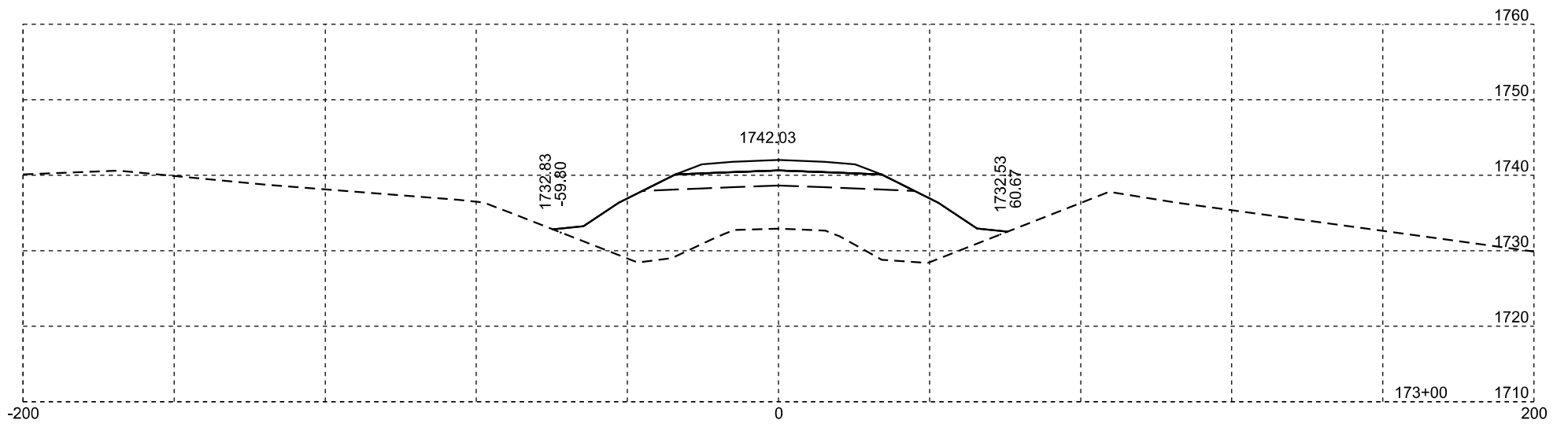
Plotting Date: 10/23/2024

STATE OF SOUTH DAKOTA	PROJECT	SHEET NO.	TOTAL SHEETS
	PH 0028(36)355	X36	X134



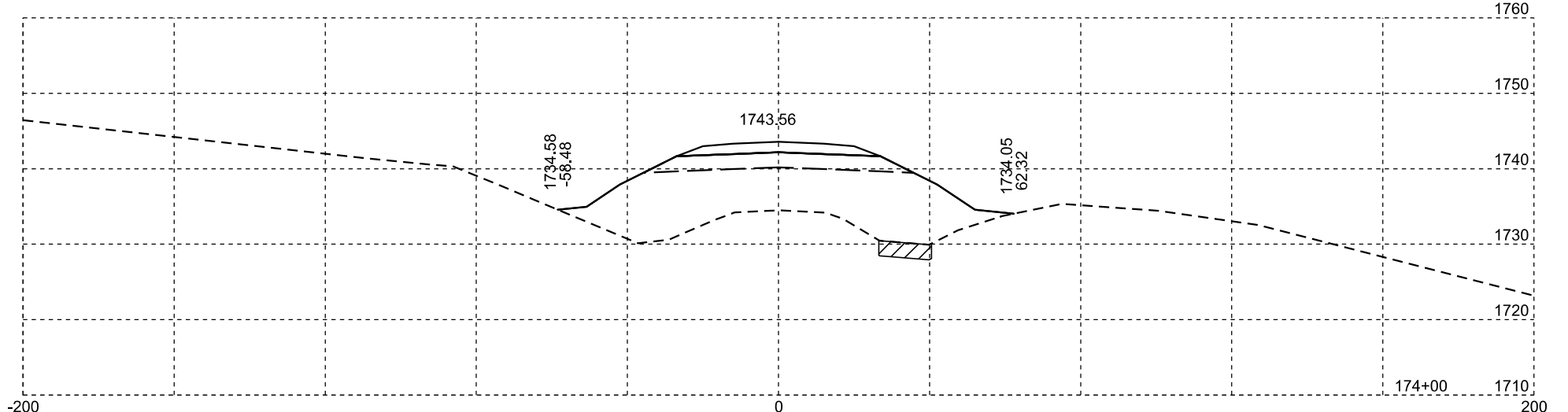
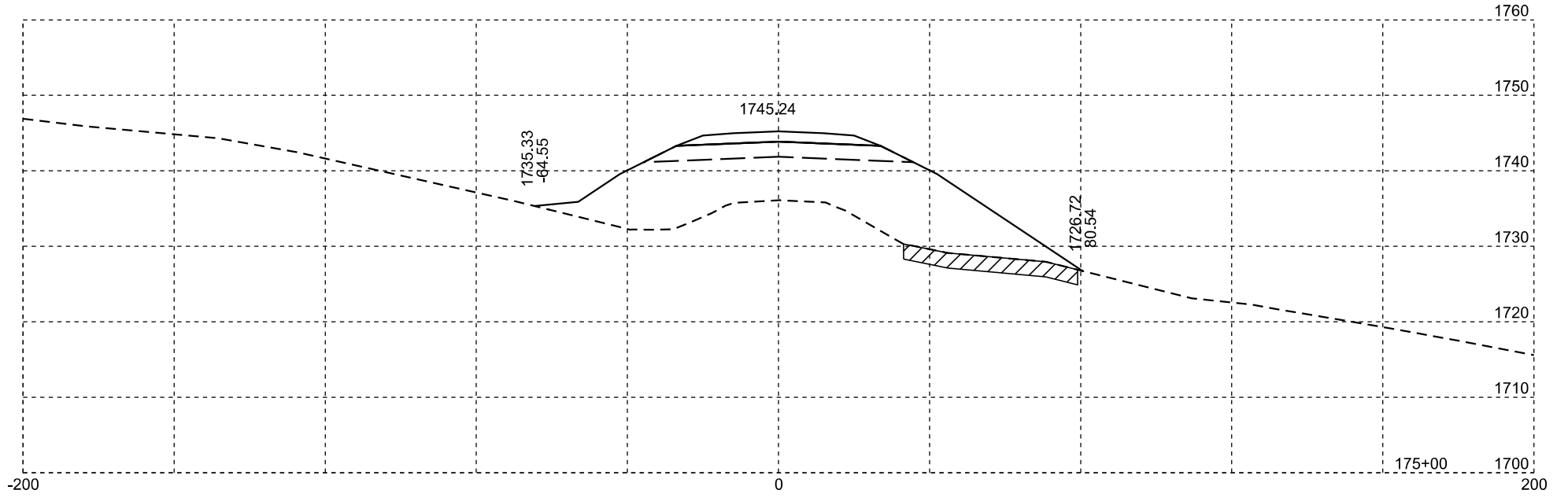
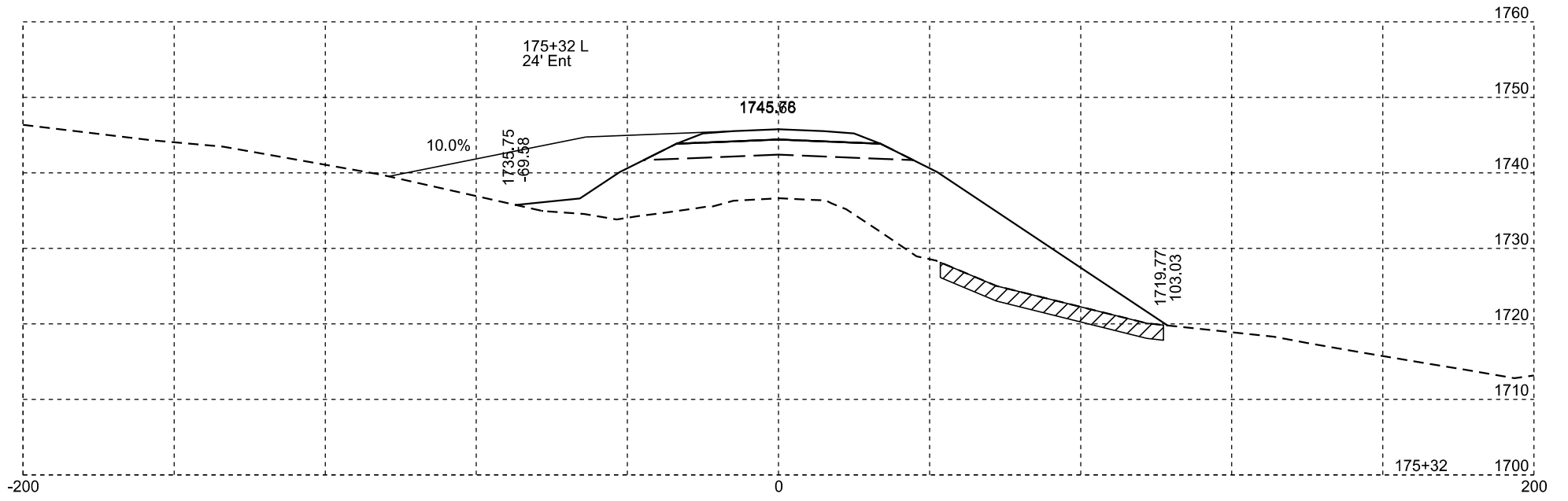
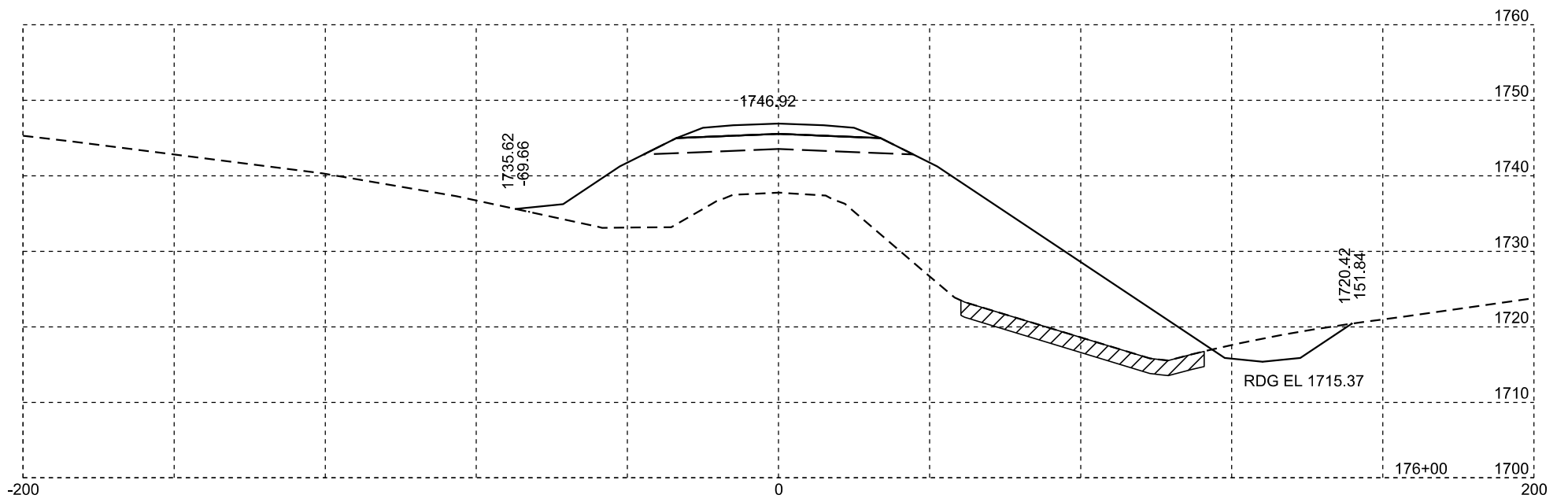
Plotting Date: 10/23/2024

STATE OF SOUTH DAKOTA	PROJECT	SHEET NO.	TOTAL SHEETS
	PH 0028(36)355	X37	X134



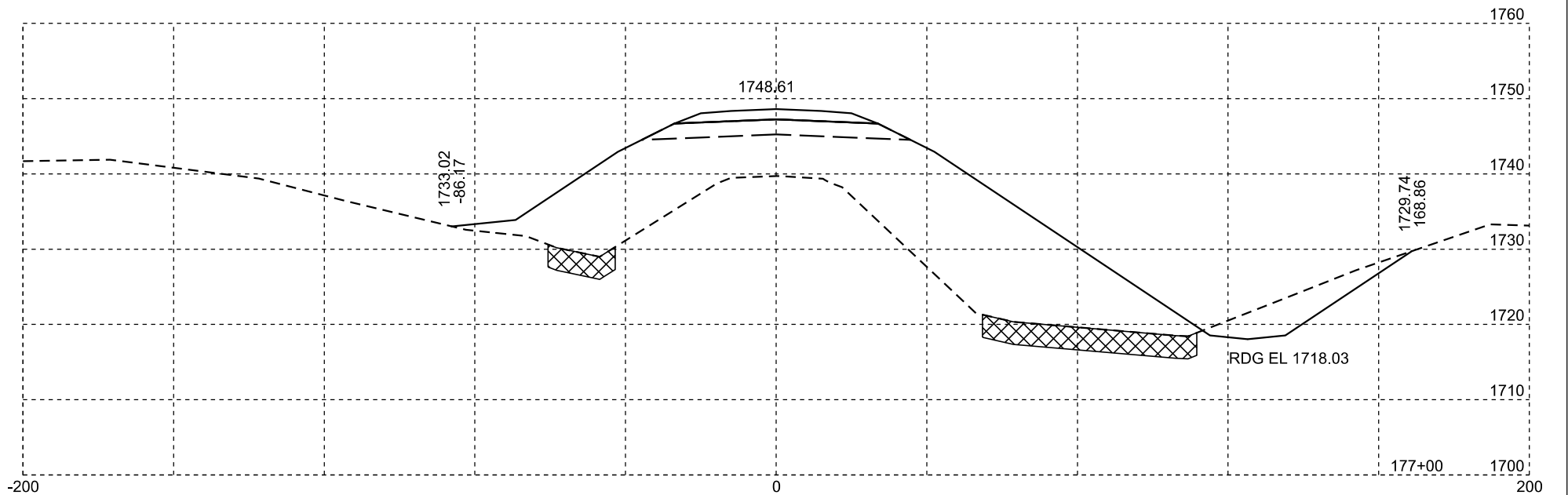
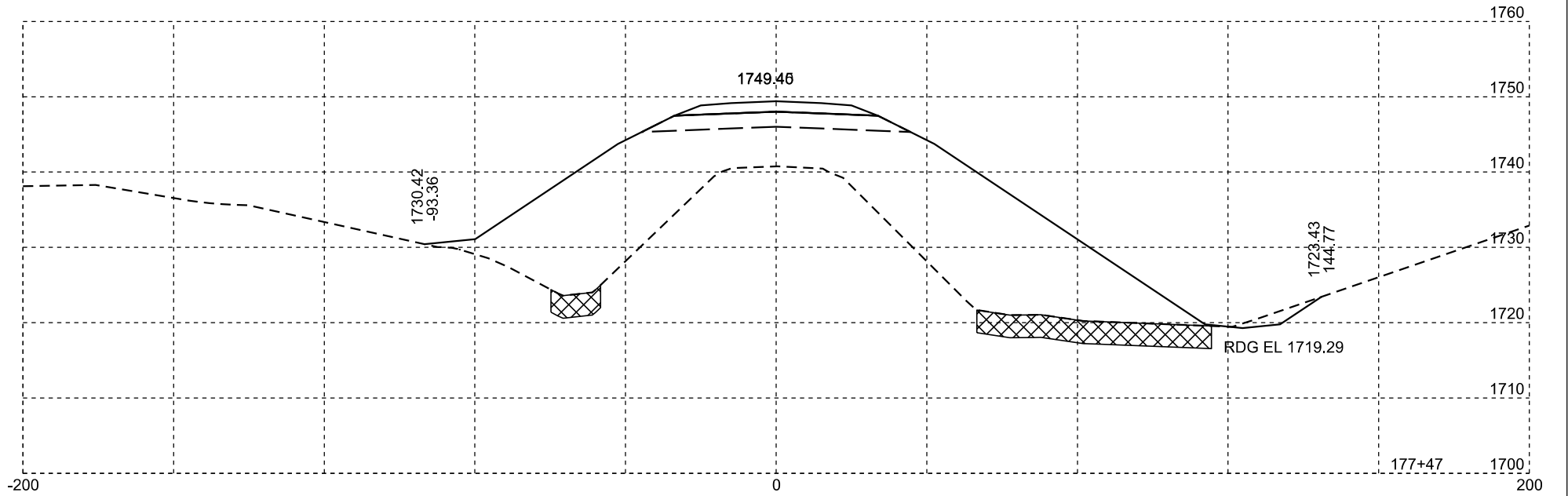
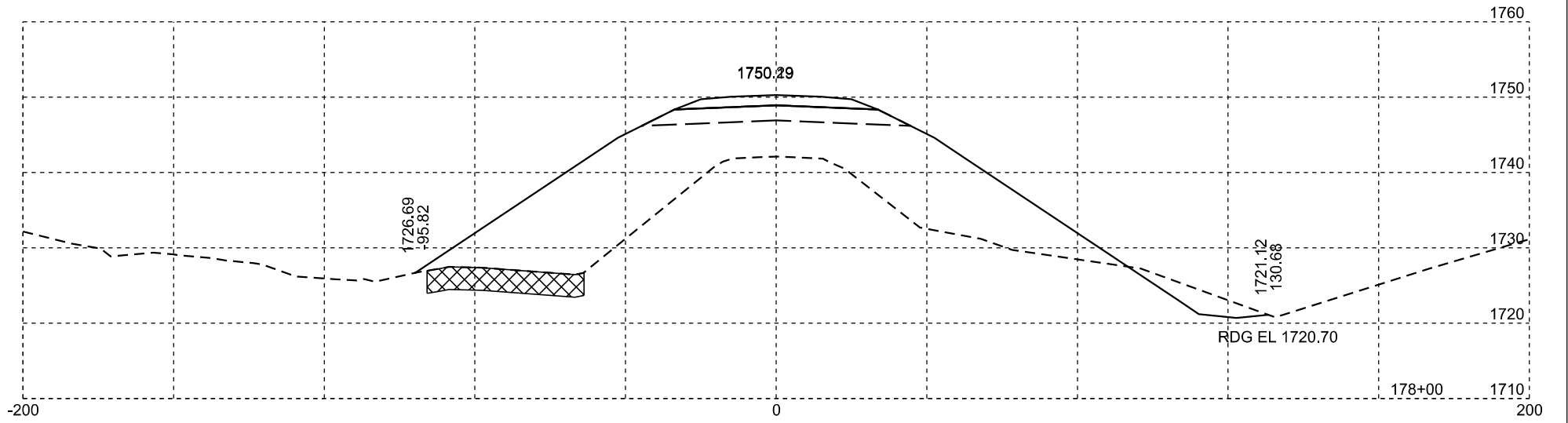
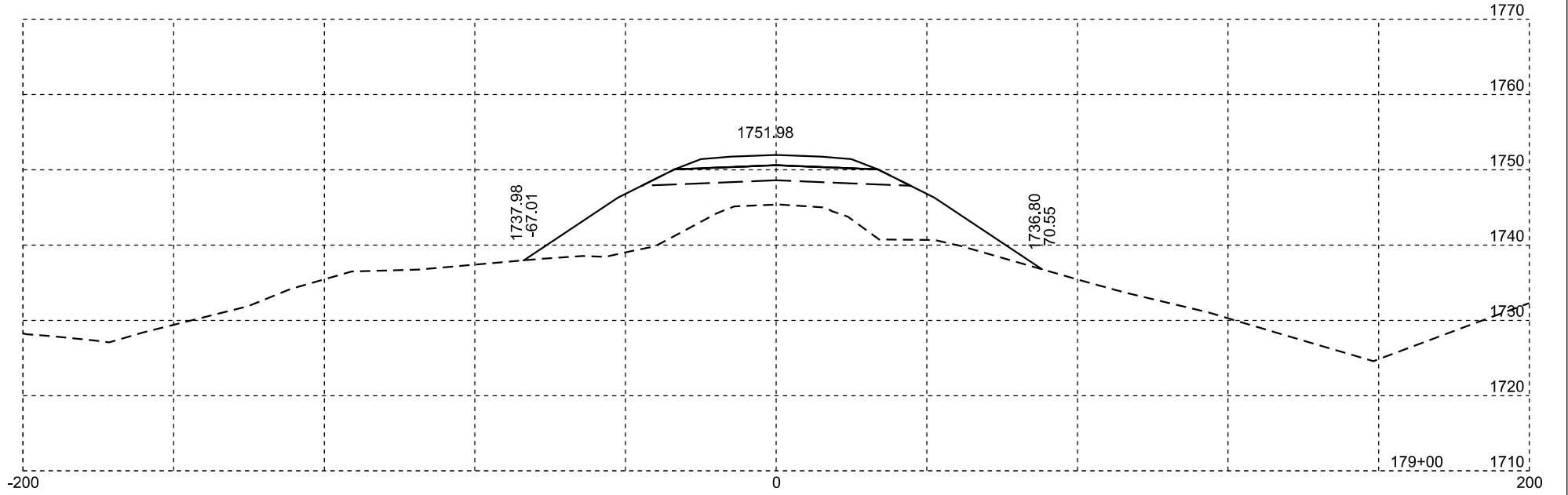
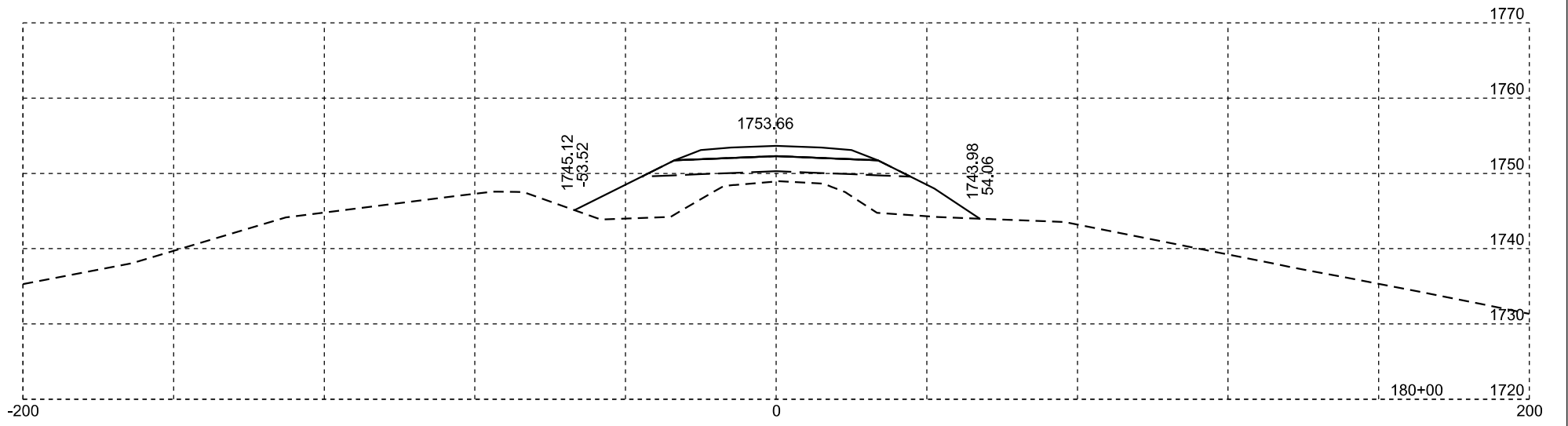
Plotting Date: 10/23/2024

STATE OF SOUTH DAKOTA	PROJECT	SHEET NO.	TOTAL SHEETS
	PH 0028(36)355	X38	X134



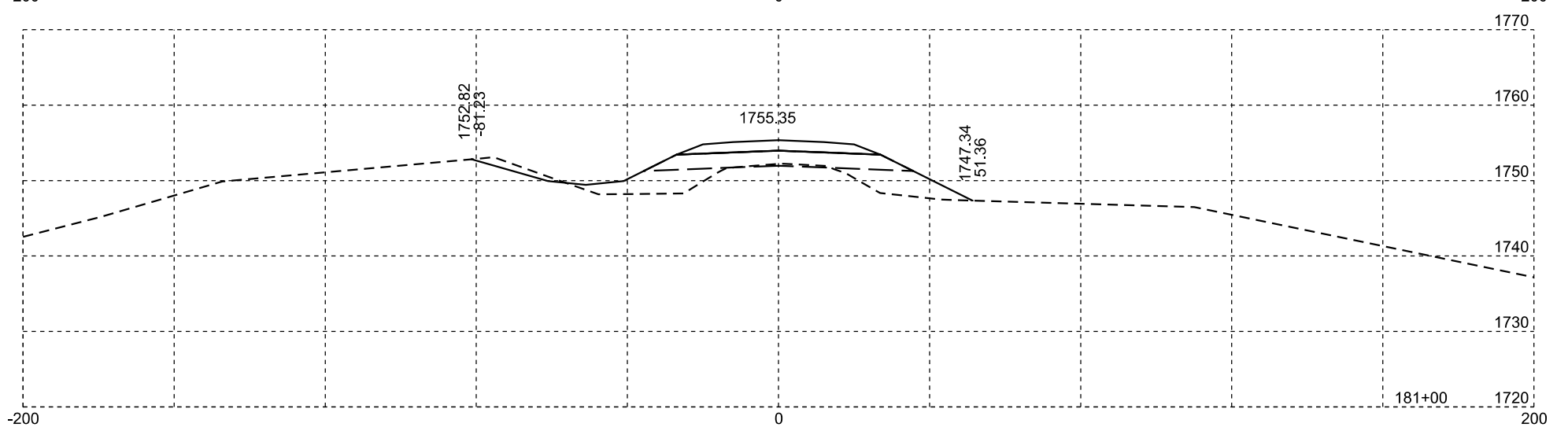
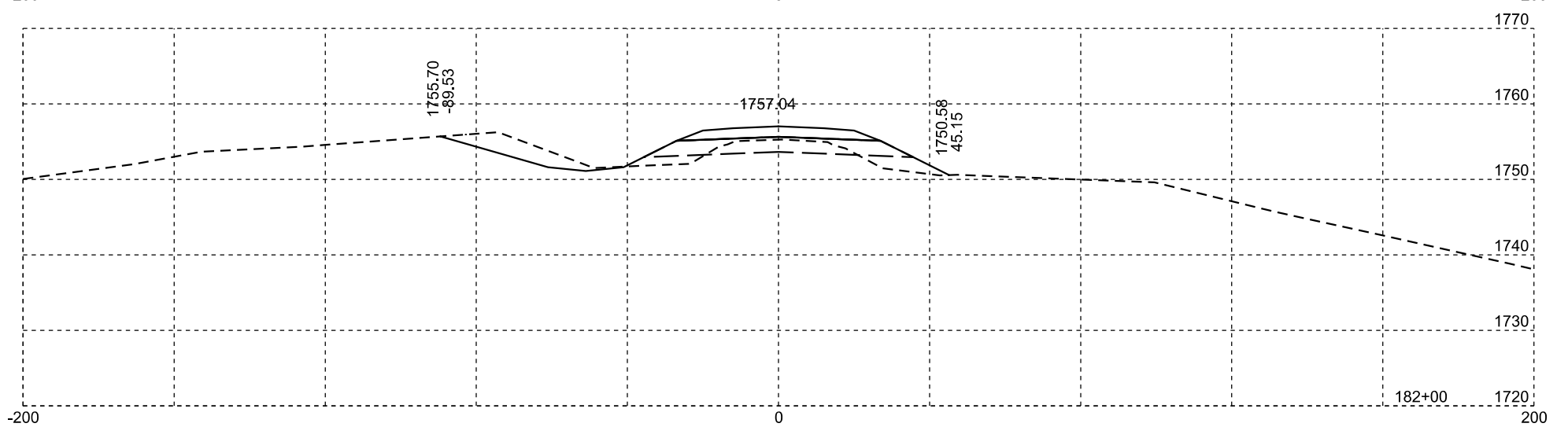
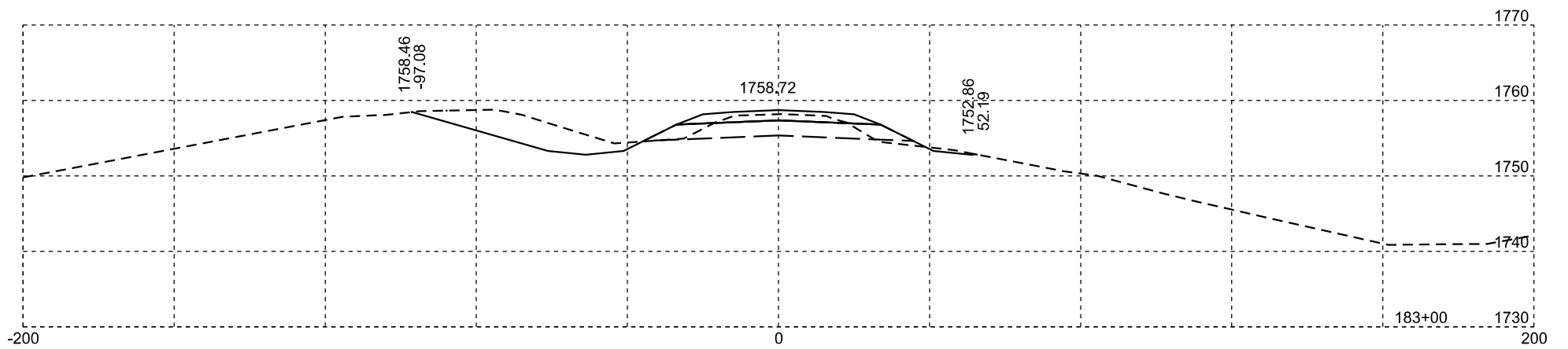
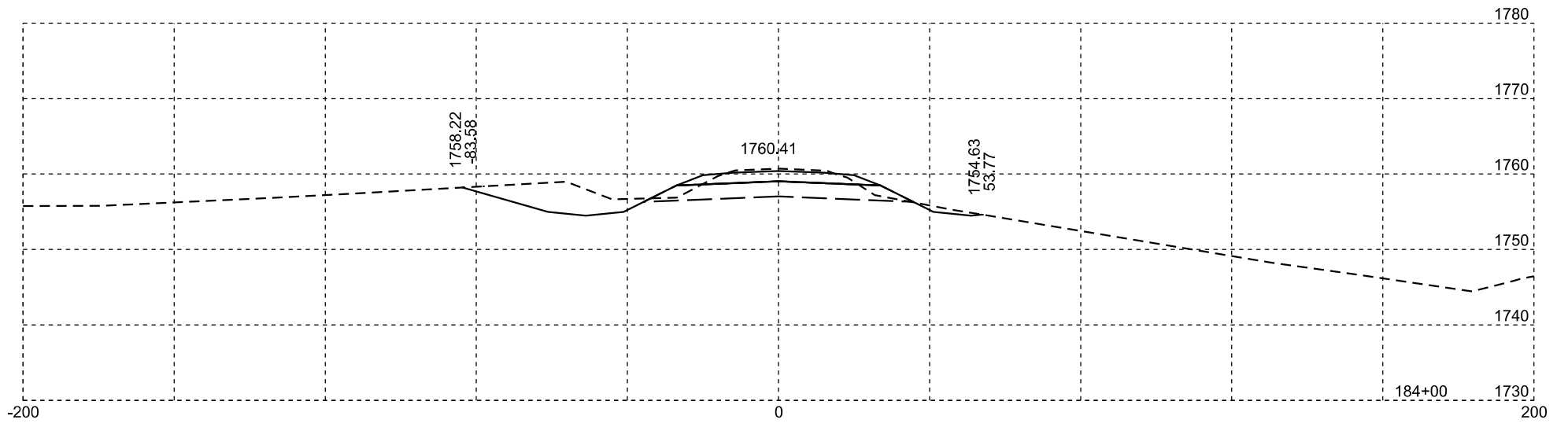
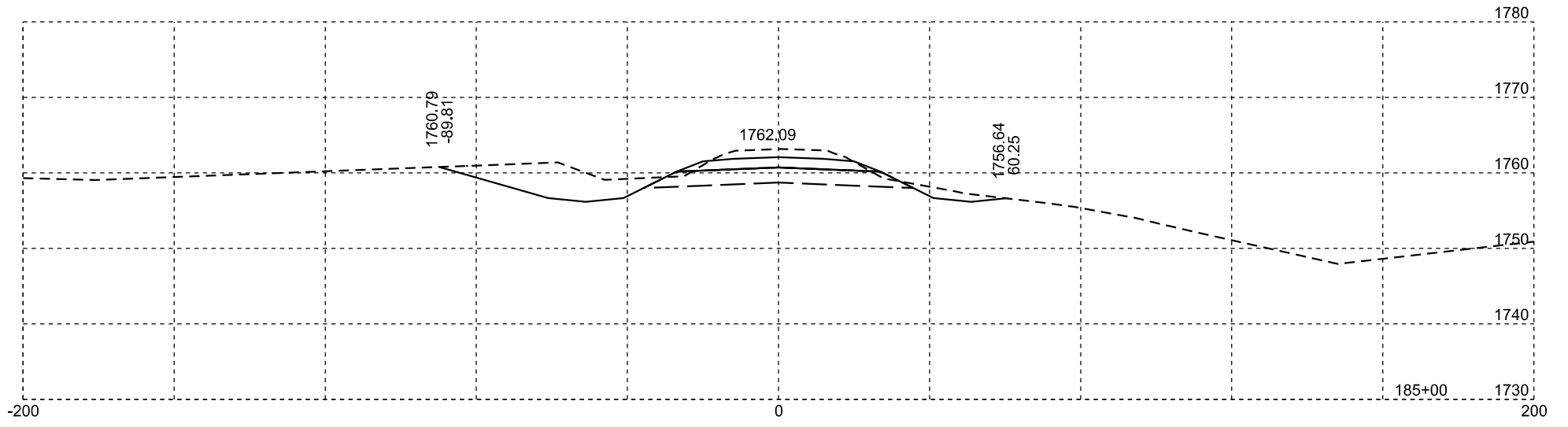
Plotting Date: 10/23/2024

STATE OF SOUTH DAKOTA	PROJECT	SHEET NO.	TOTAL SHEETS
	PH 0028(36)355	X39	X134



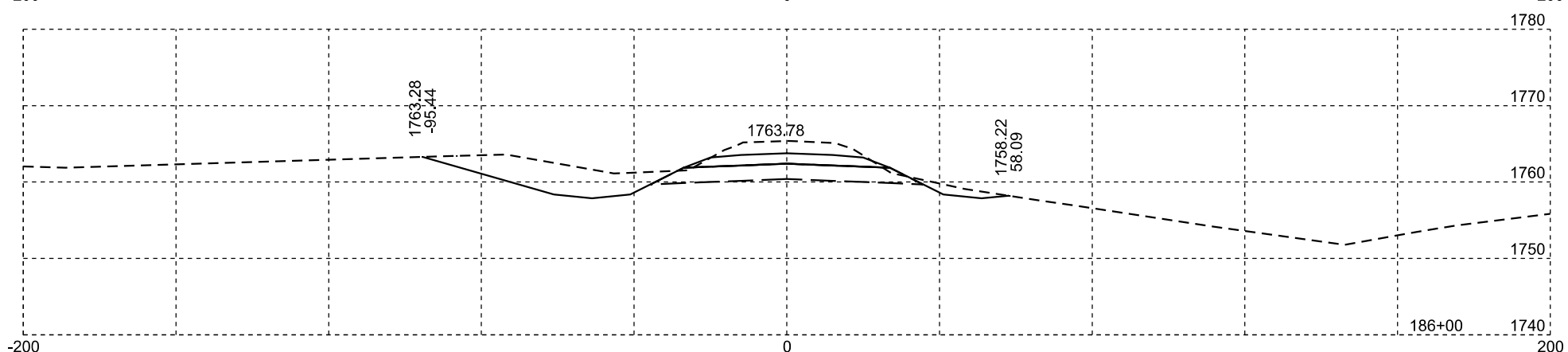
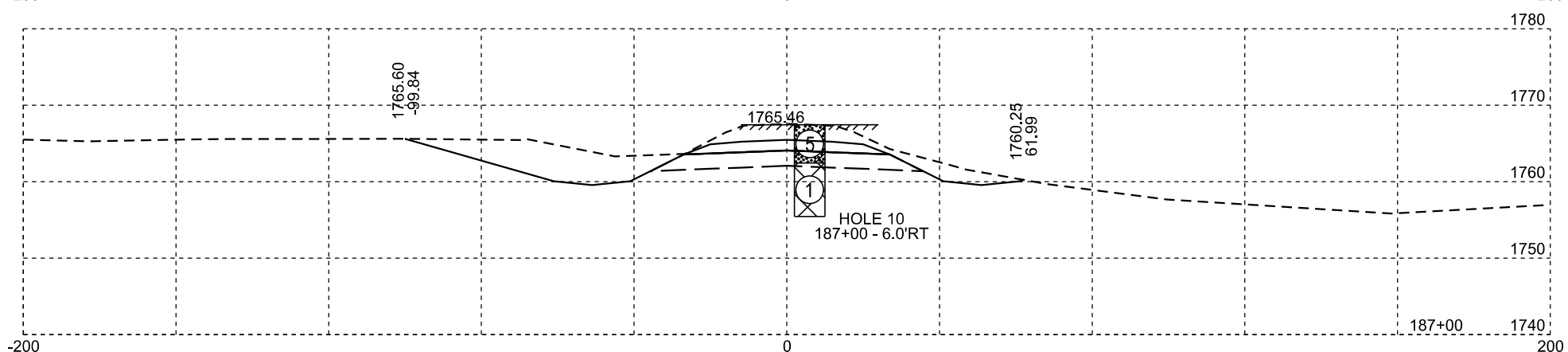
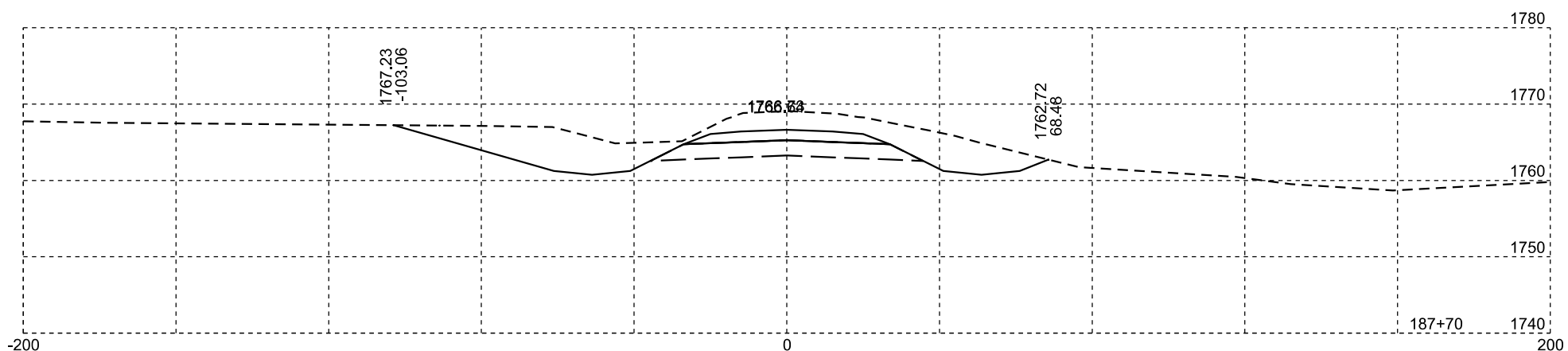
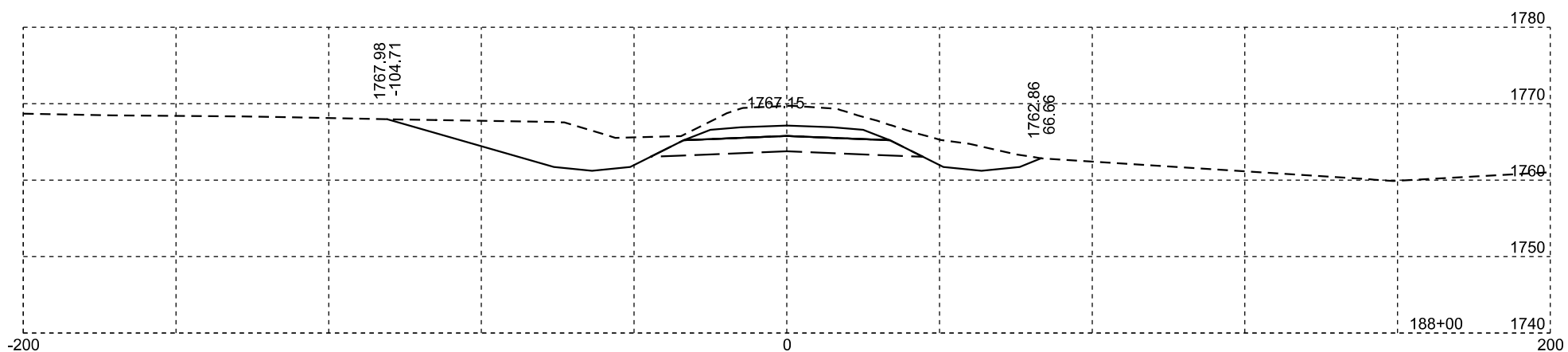
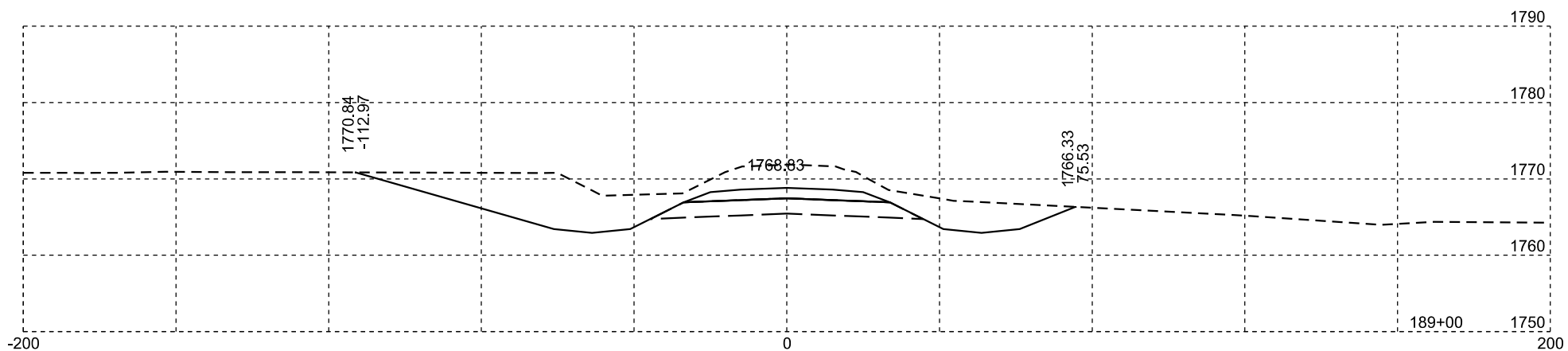
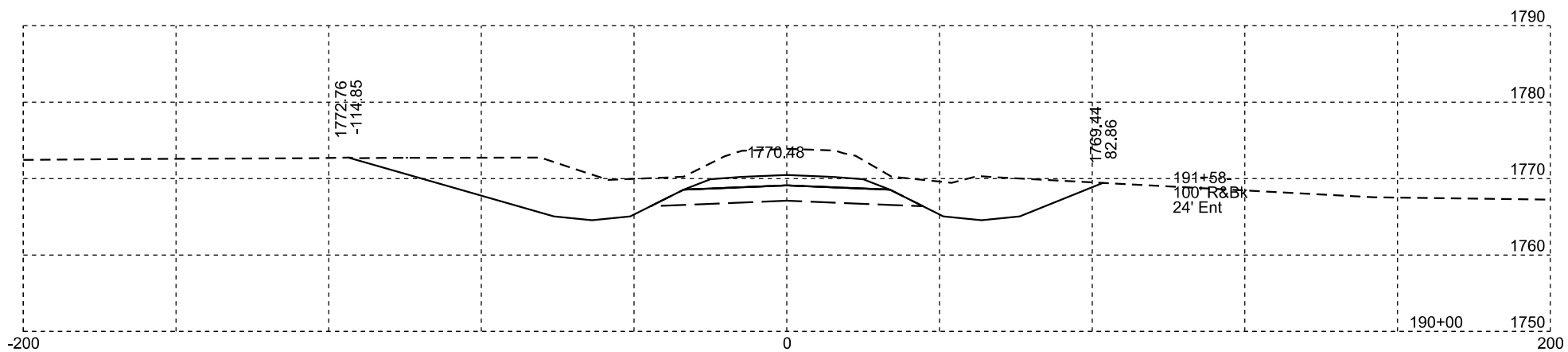
Plotting Date: 10/23/2024

STATE OF SOUTH DAKOTA	PROJECT	SHEET NO.	TOTAL SHEETS
	PH 0028(36)355	X40	X134



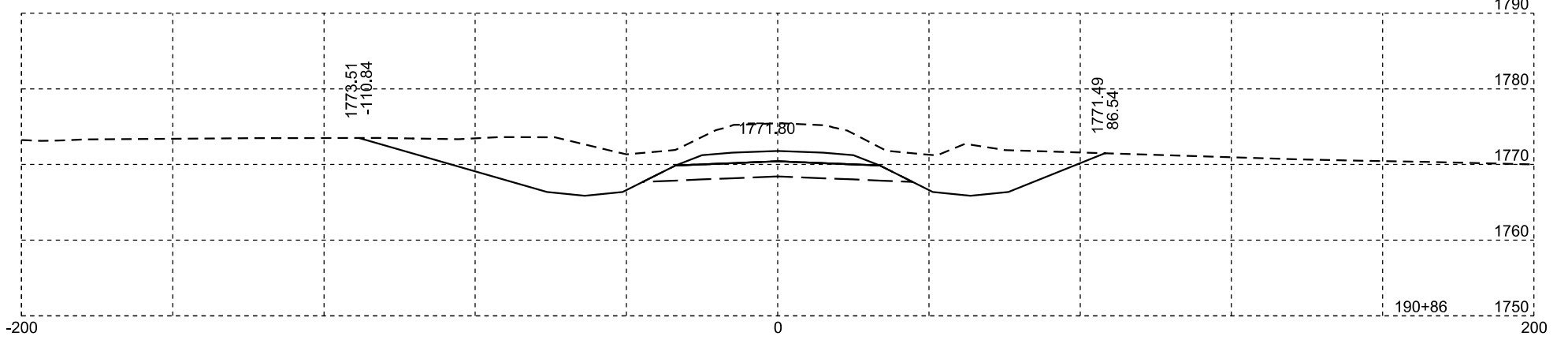
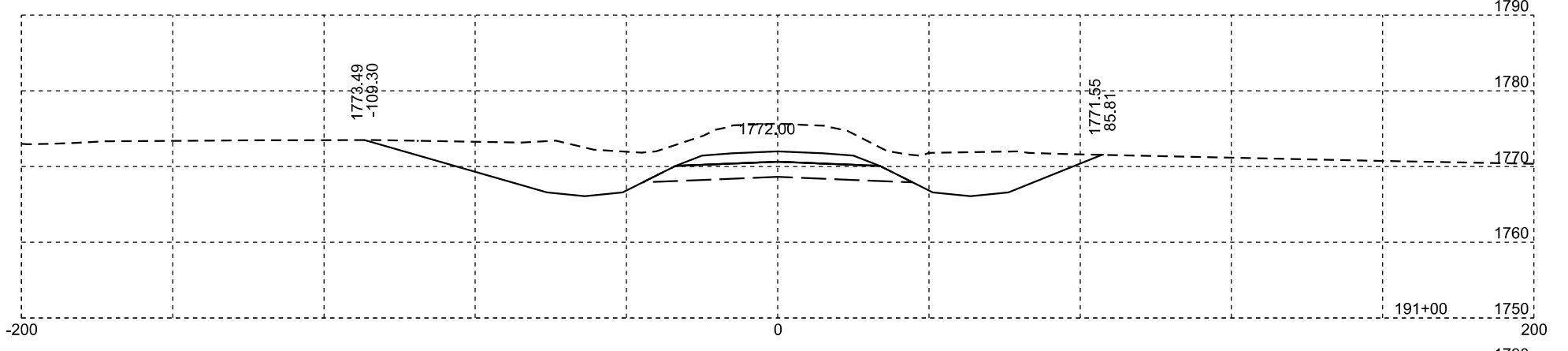
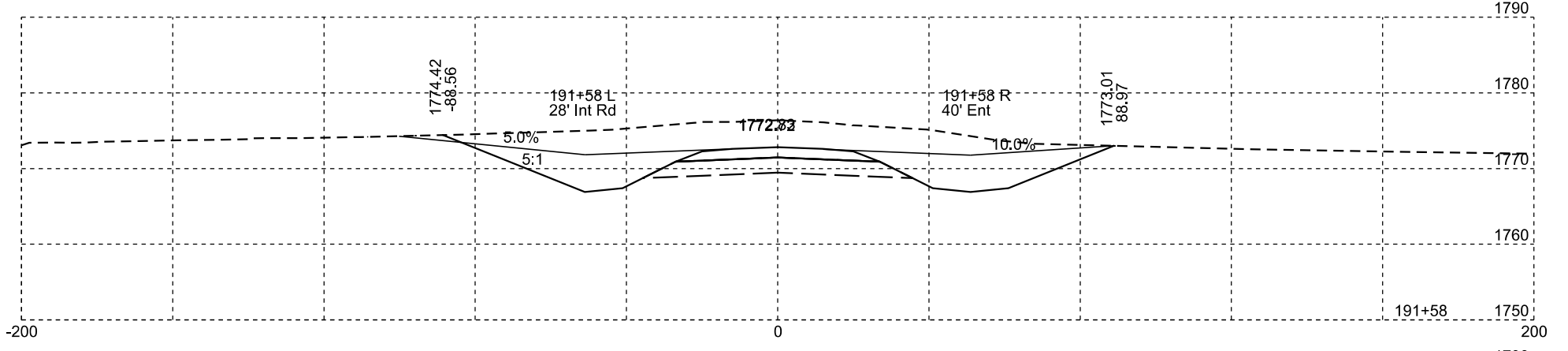
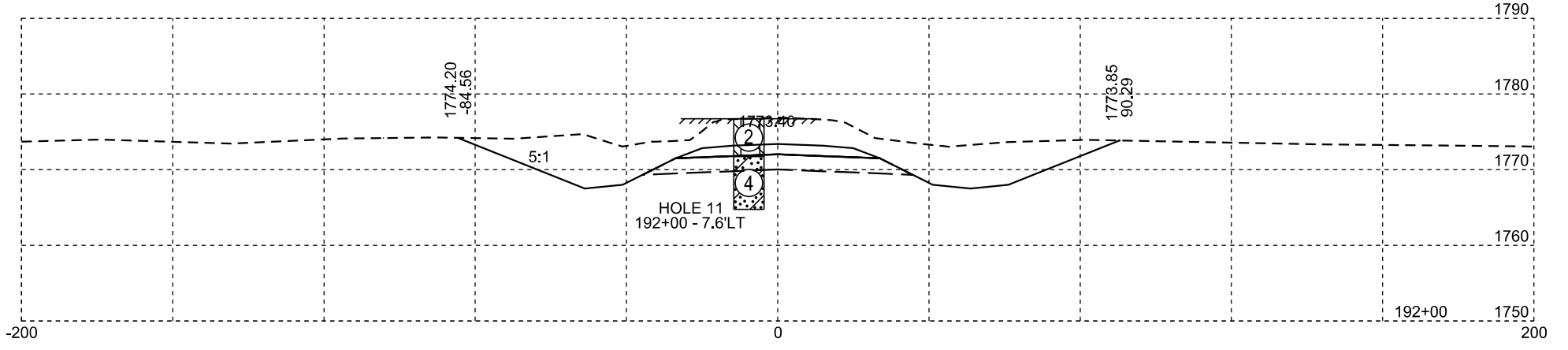
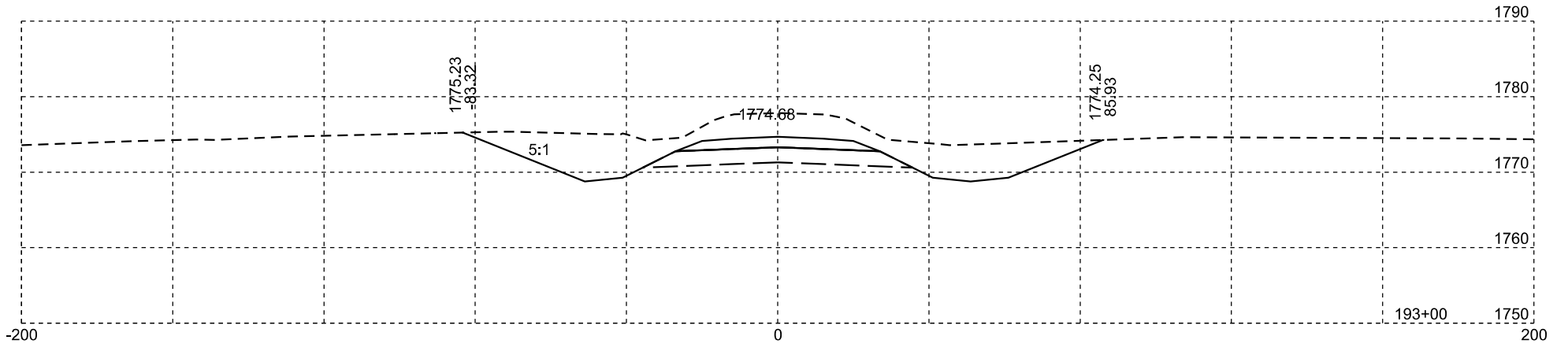
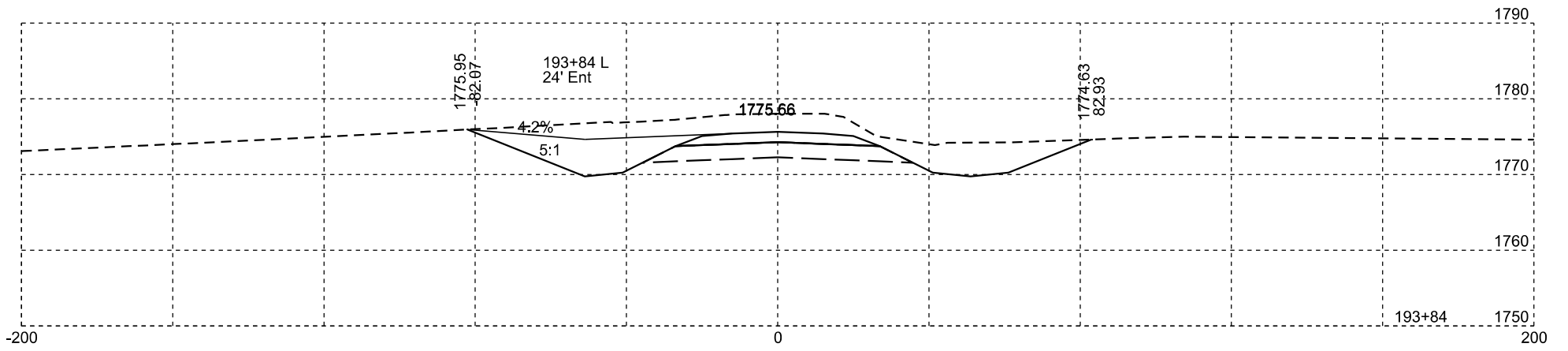
Plotting Date: 10/23/2024

STATE OF SOUTH DAKOTA	PROJECT	SHEET NO.	TOTAL SHEETS
	PH 0028(36)355	X41	X134



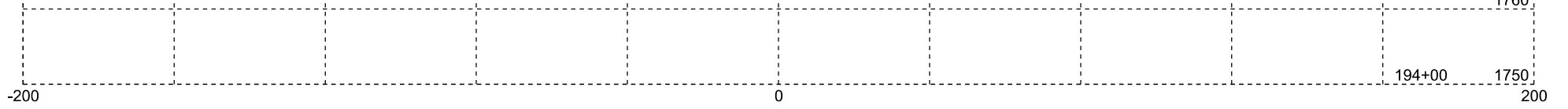
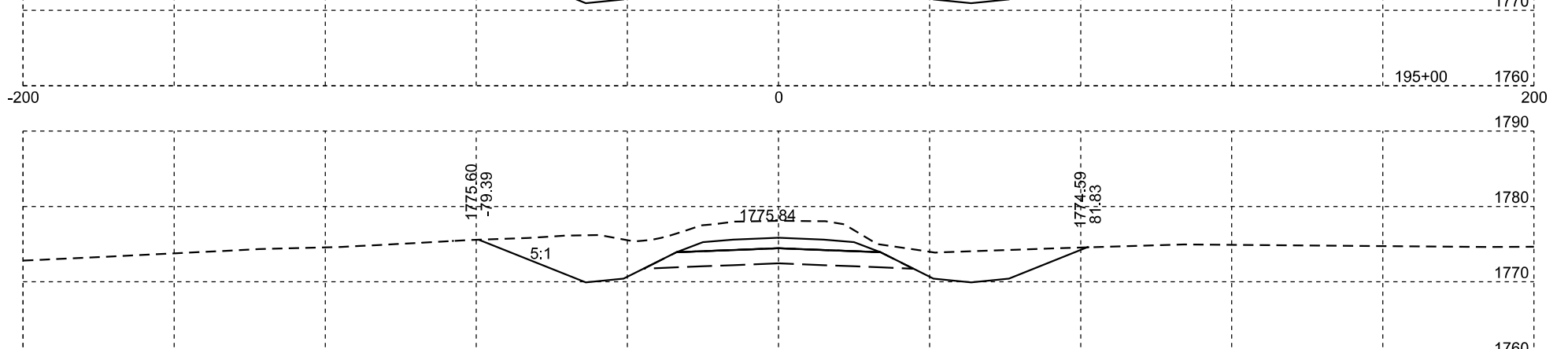
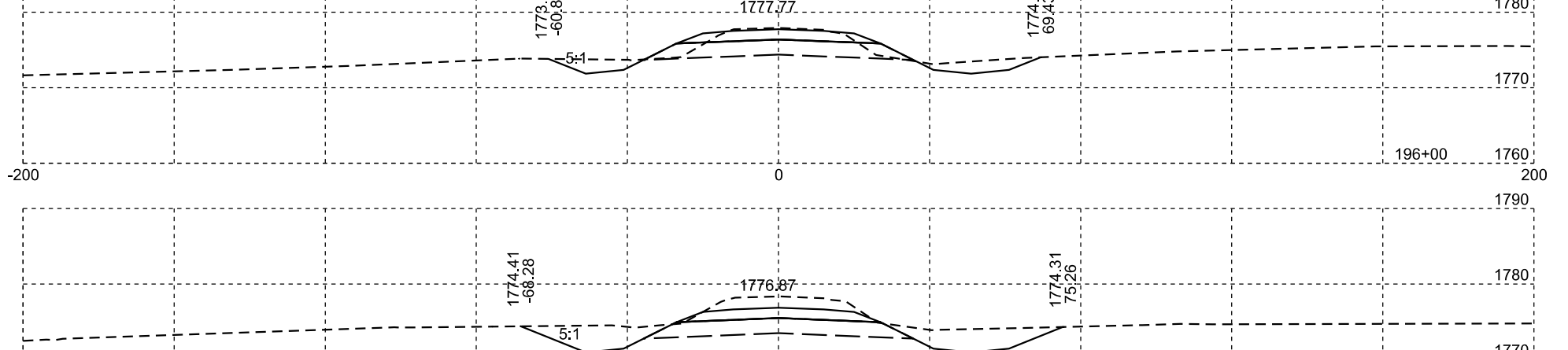
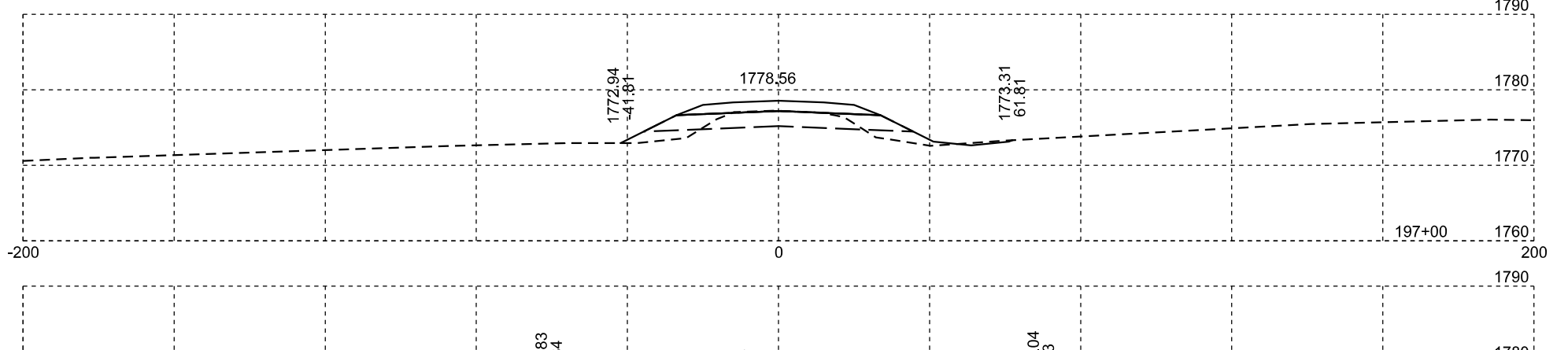
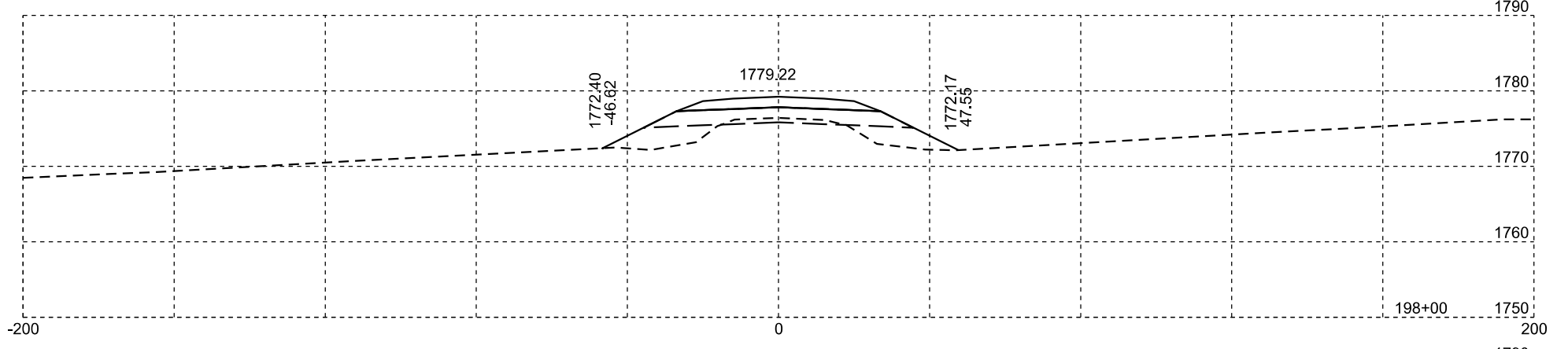
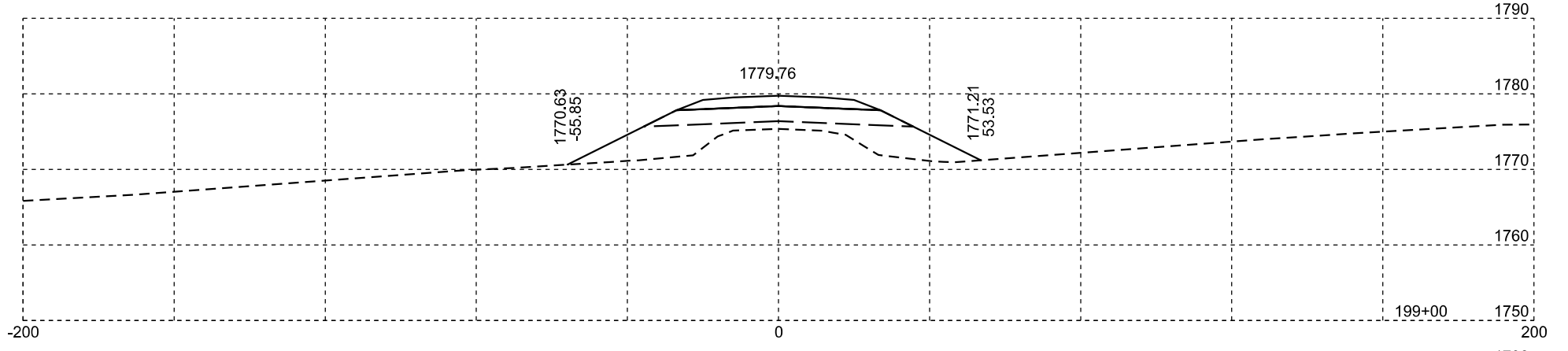
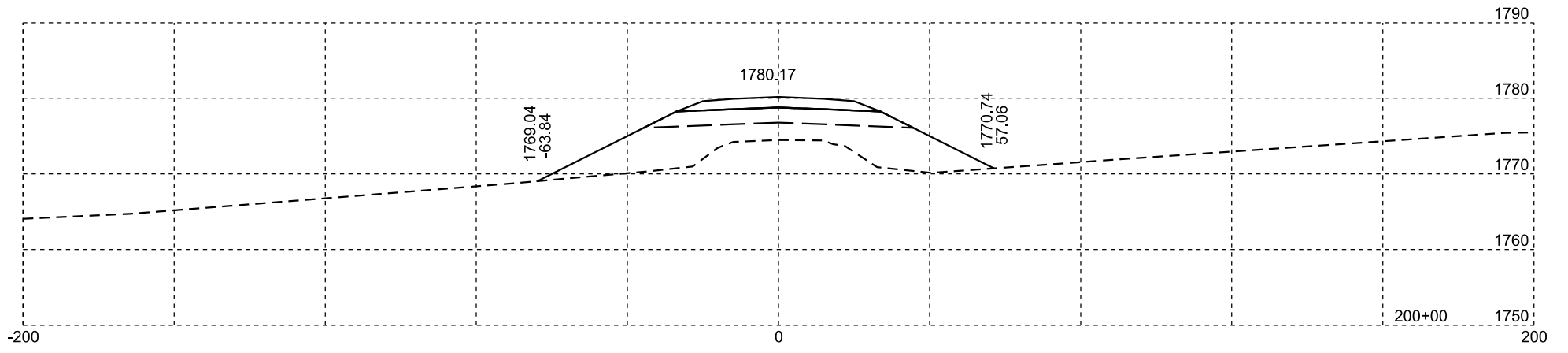
Plotting Date: 10/23/2024

STATE OF SOUTH DAKOTA	PROJECT	SHEET NO.	TOTAL SHEETS
	PH 0028(36)355	X42	X134



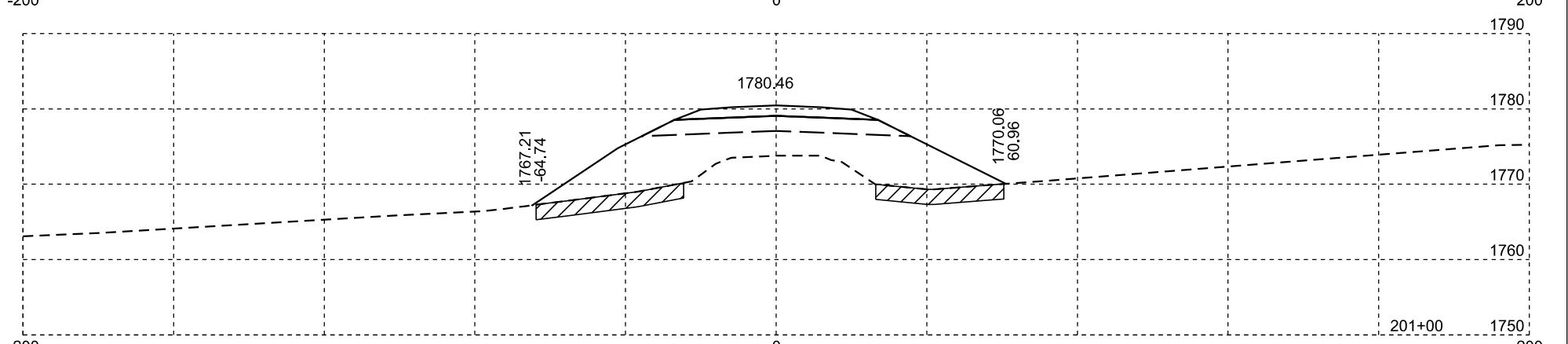
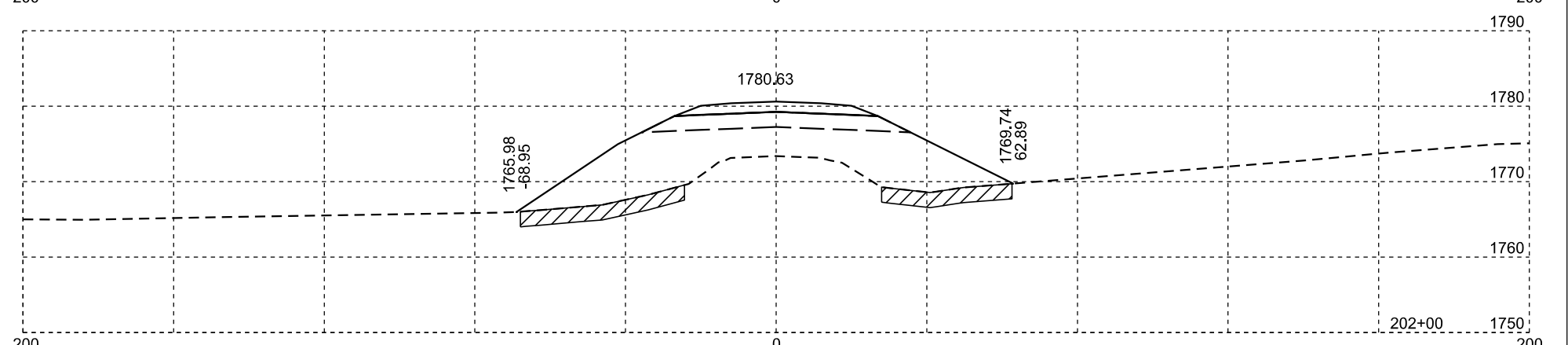
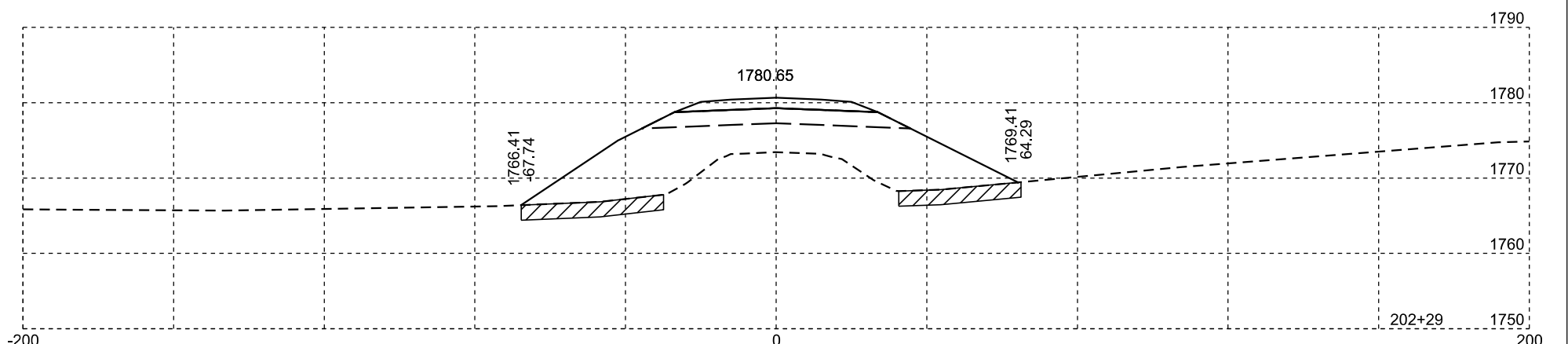
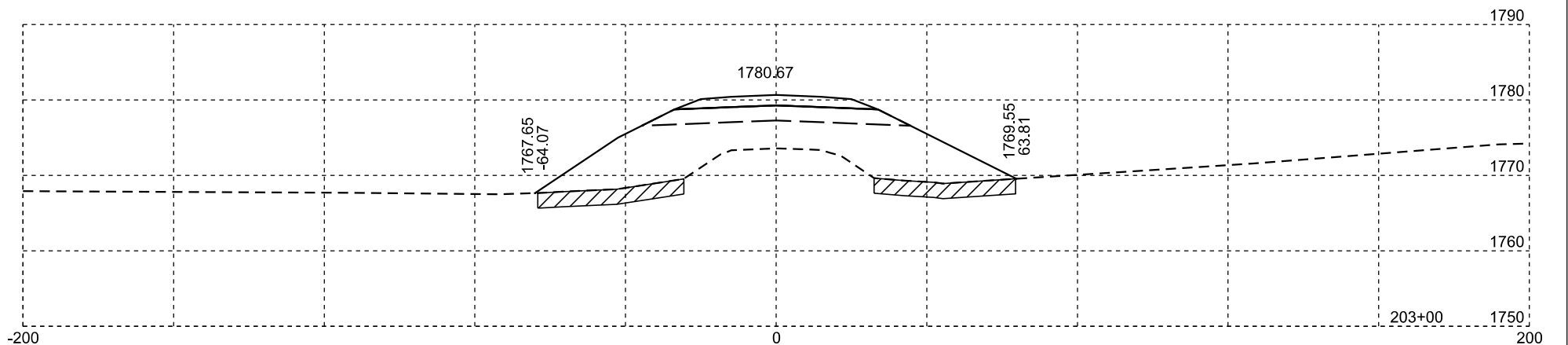
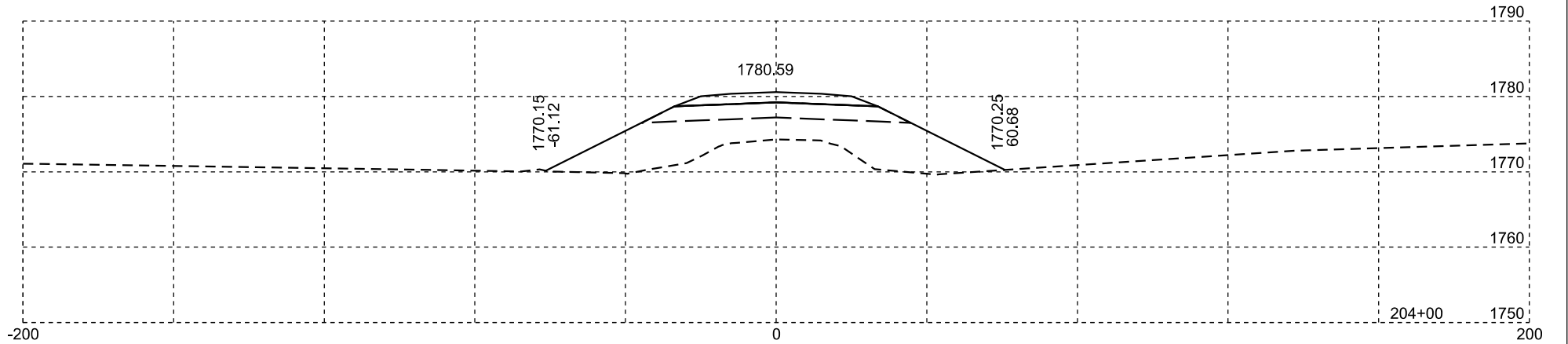
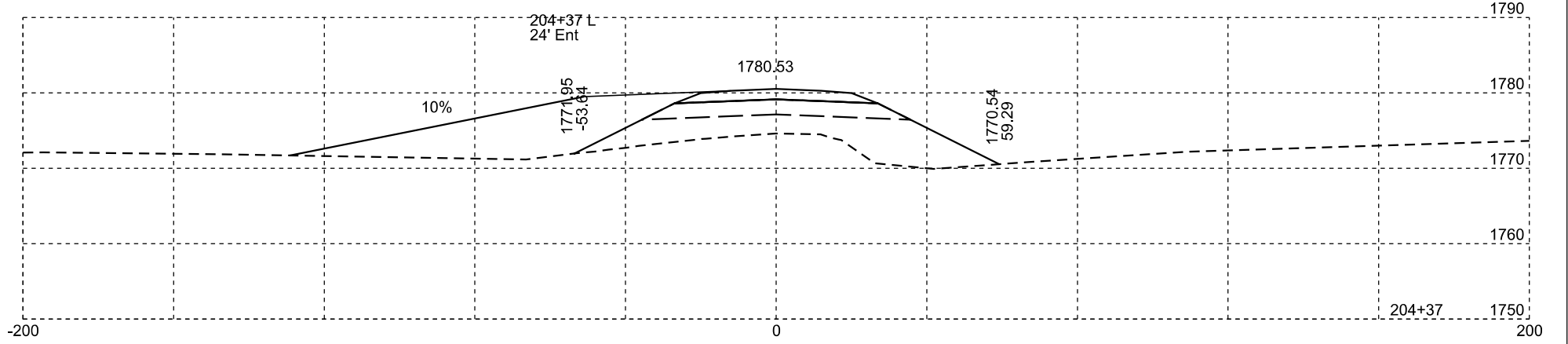
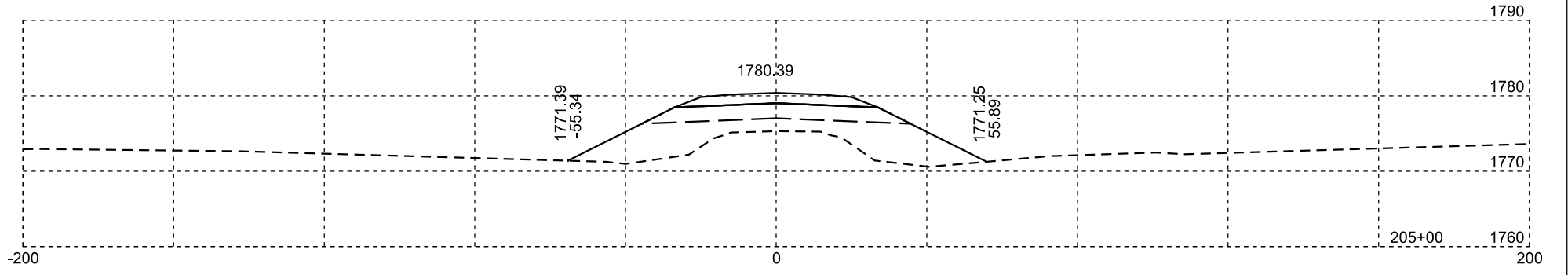
Plotting Date: 10/23/2024

STATE OF SOUTH DAKOTA	PROJECT	SHEET NO.	TOTAL SHEETS
	PH 0028(36)355	X43	X134



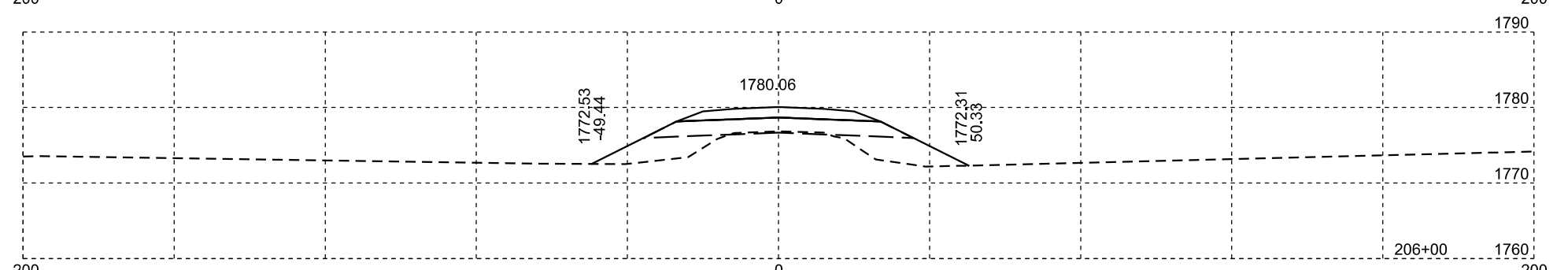
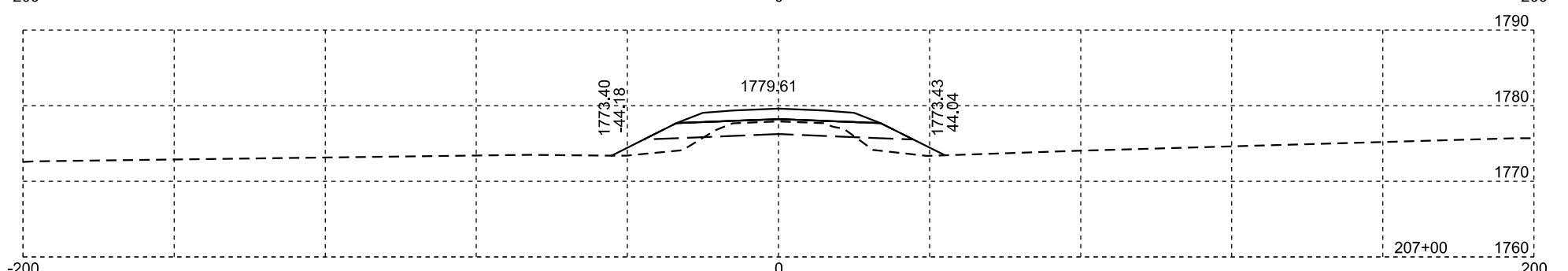
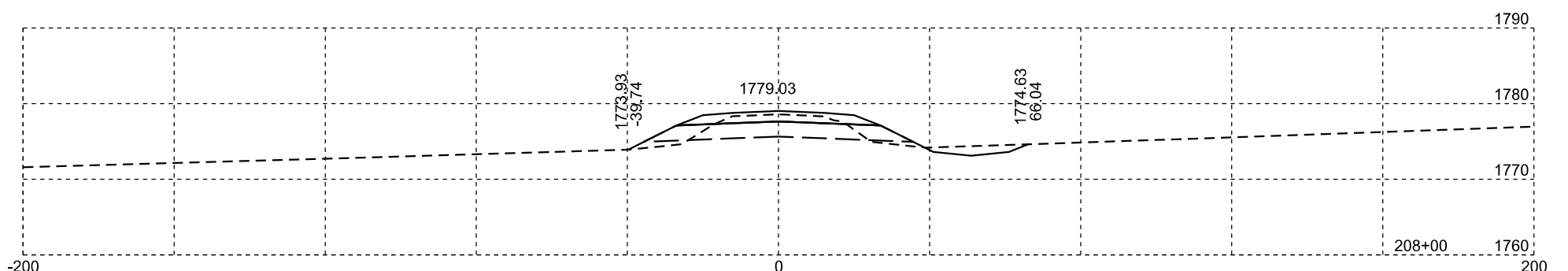
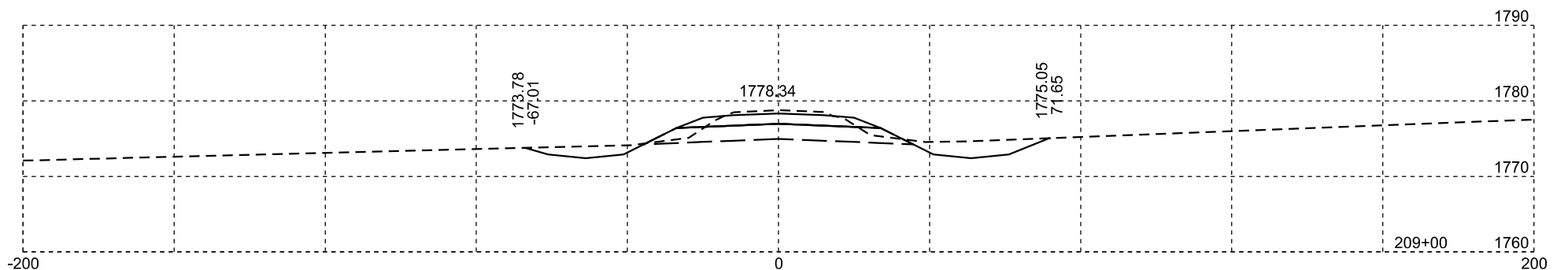
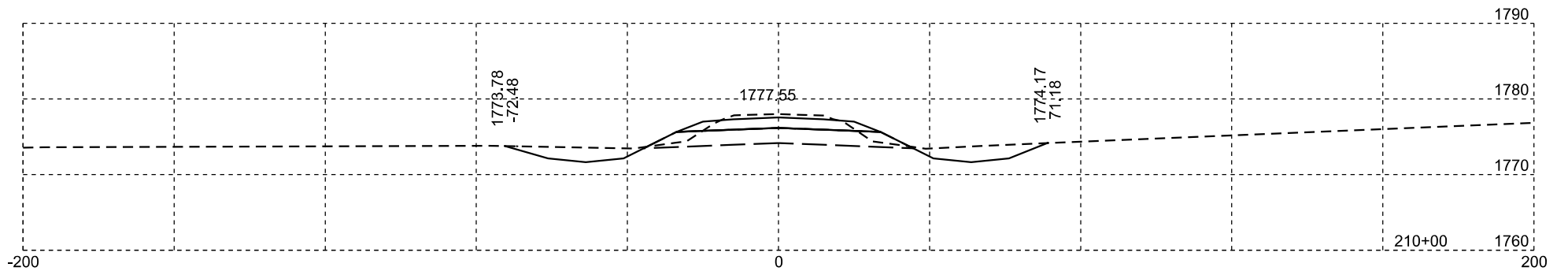
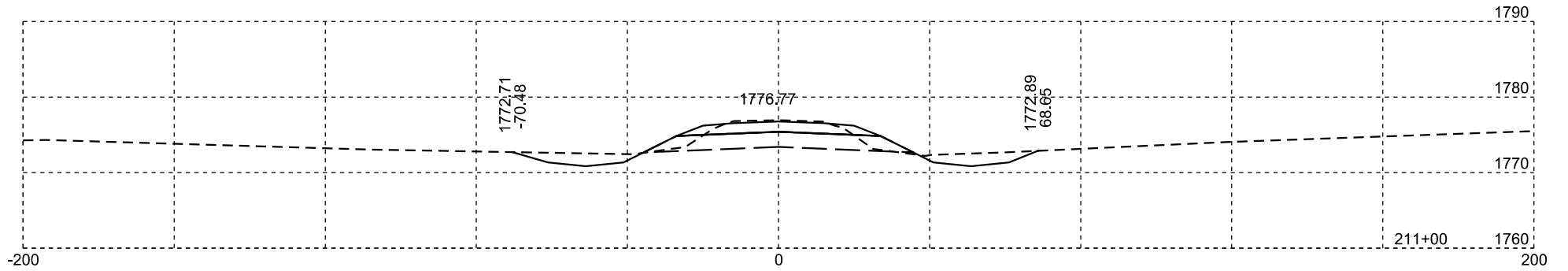
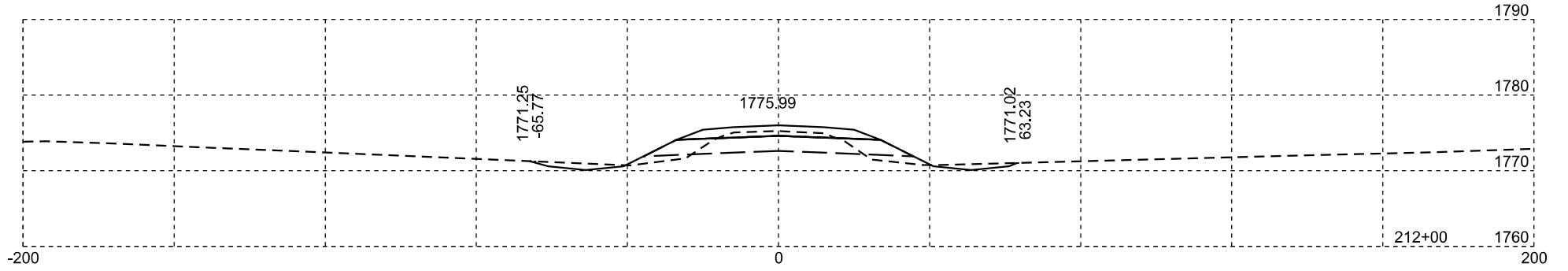
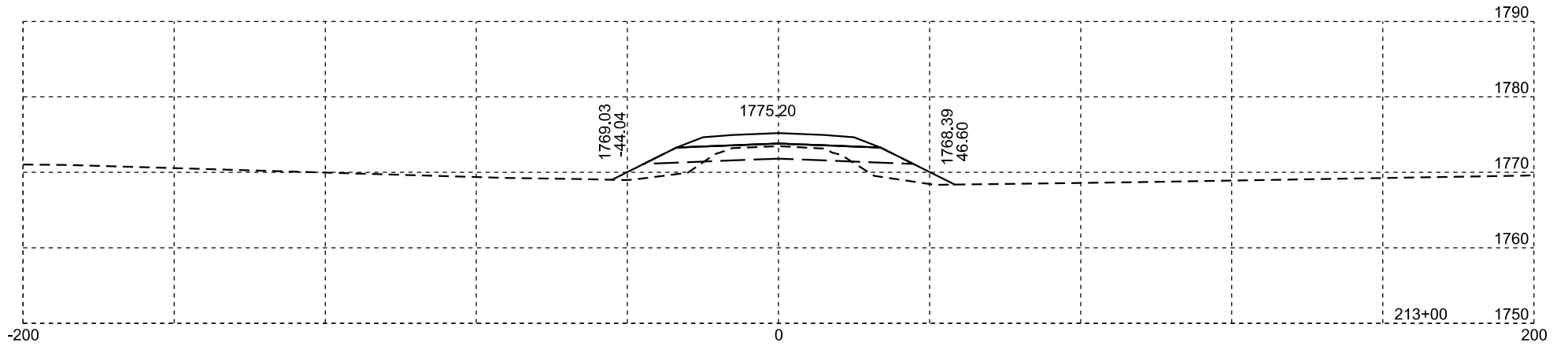
Plotting Date: 10/23/2024

STATE OF SOUTH DAKOTA	PROJECT	SHEET NO.	TOTAL SHEETS
	PH 0028(36)355	X44	X134



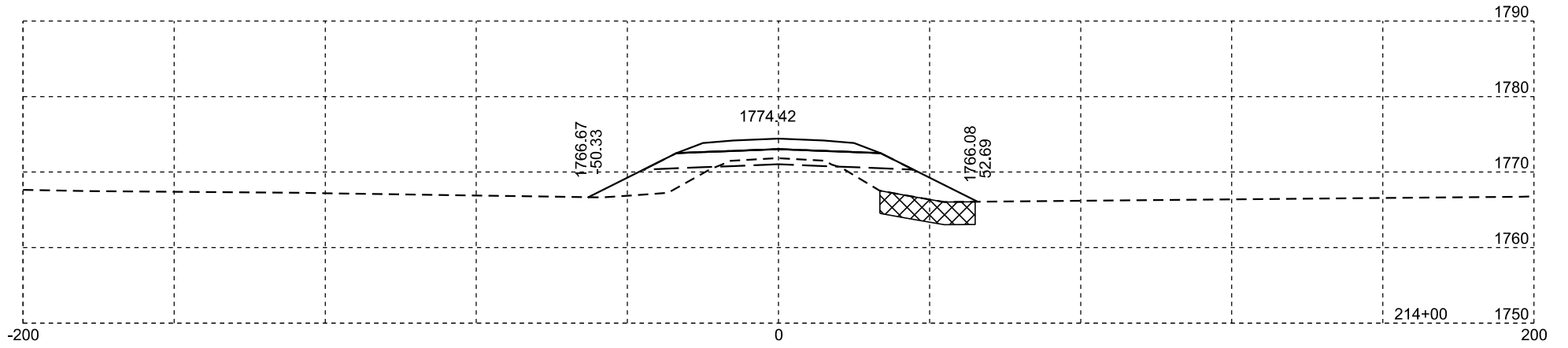
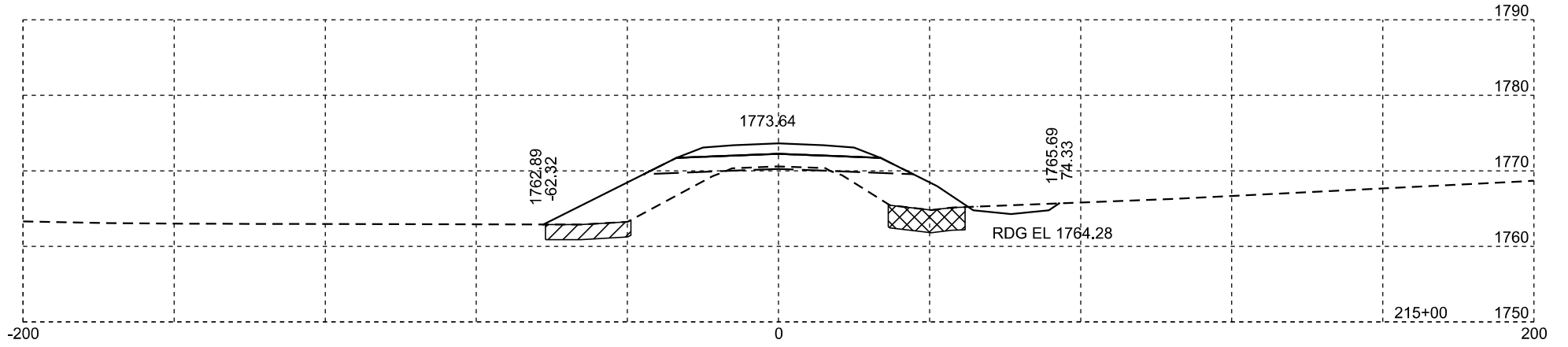
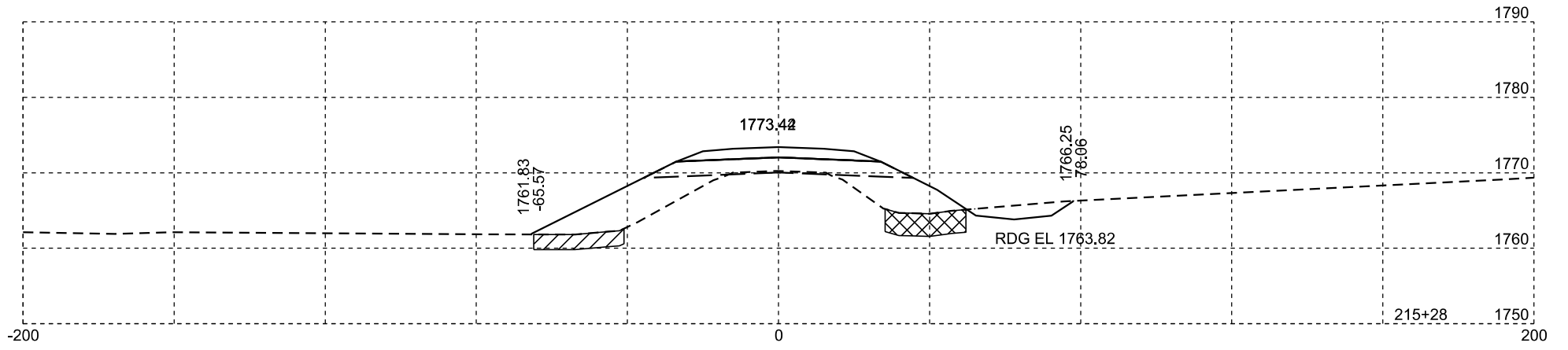
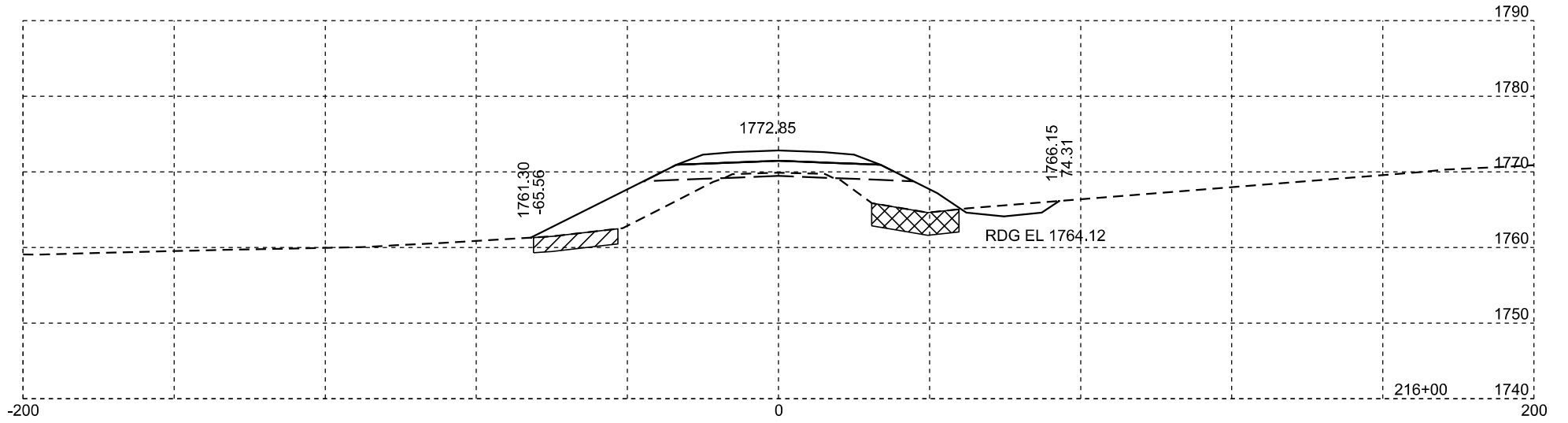
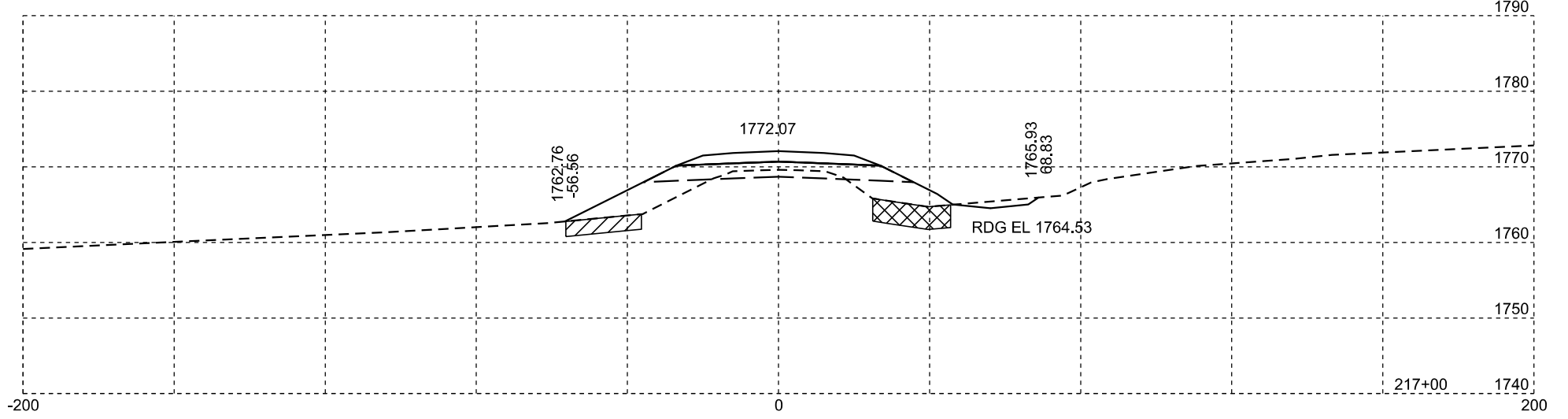
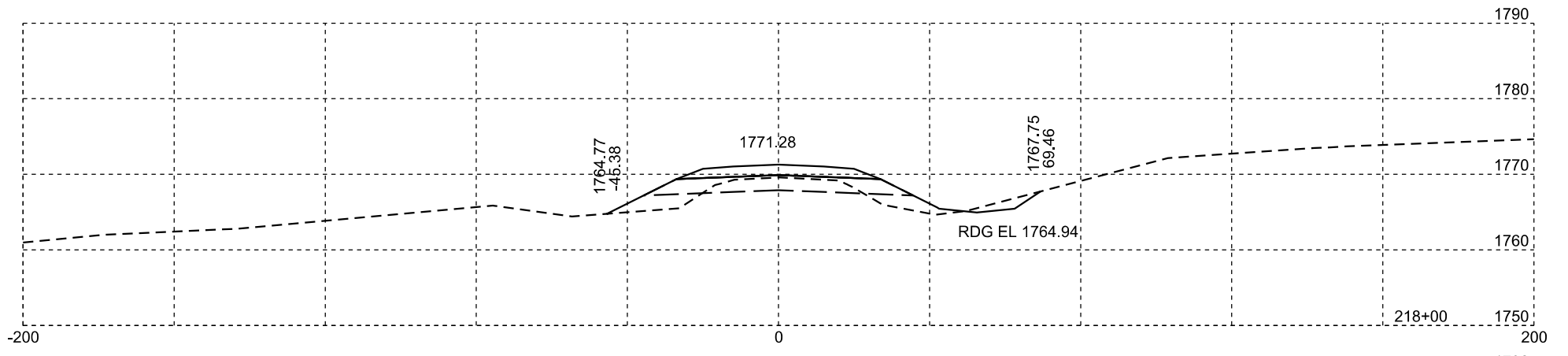
Plotting Date: 10/23/2024

STATE OF SOUTH DAKOTA	PROJECT	SHEET NO.	TOTAL SHEETS
	PH 0028(36)355	X45	X134



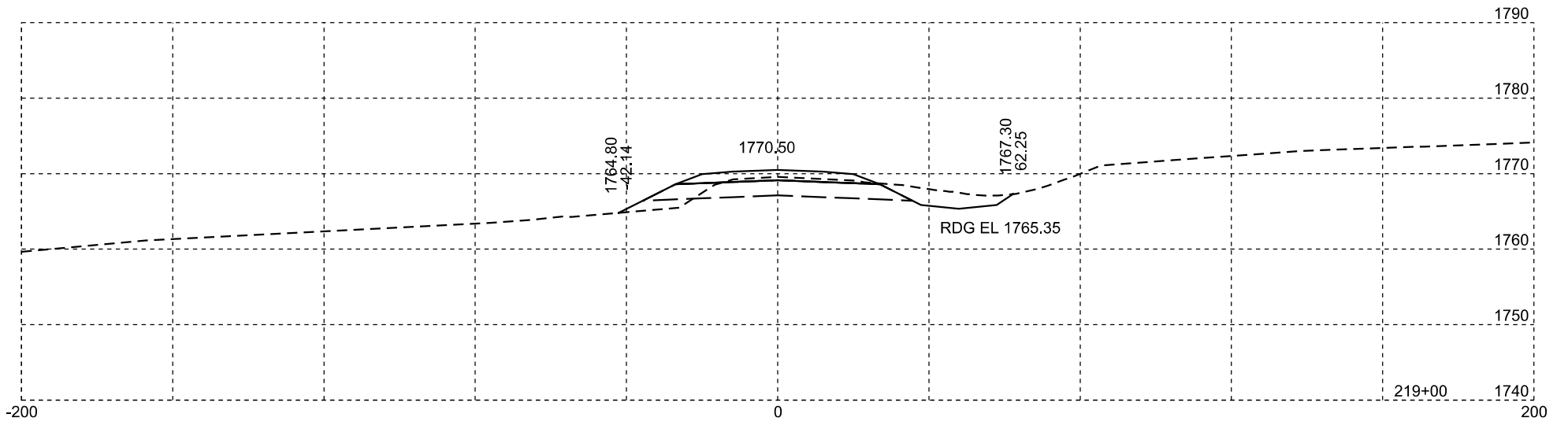
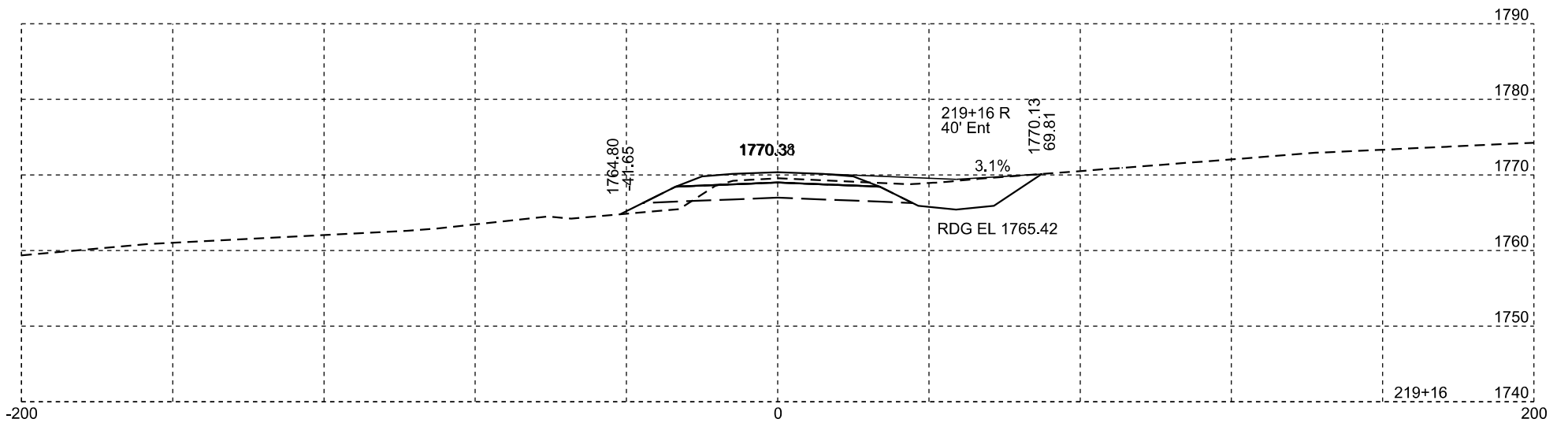
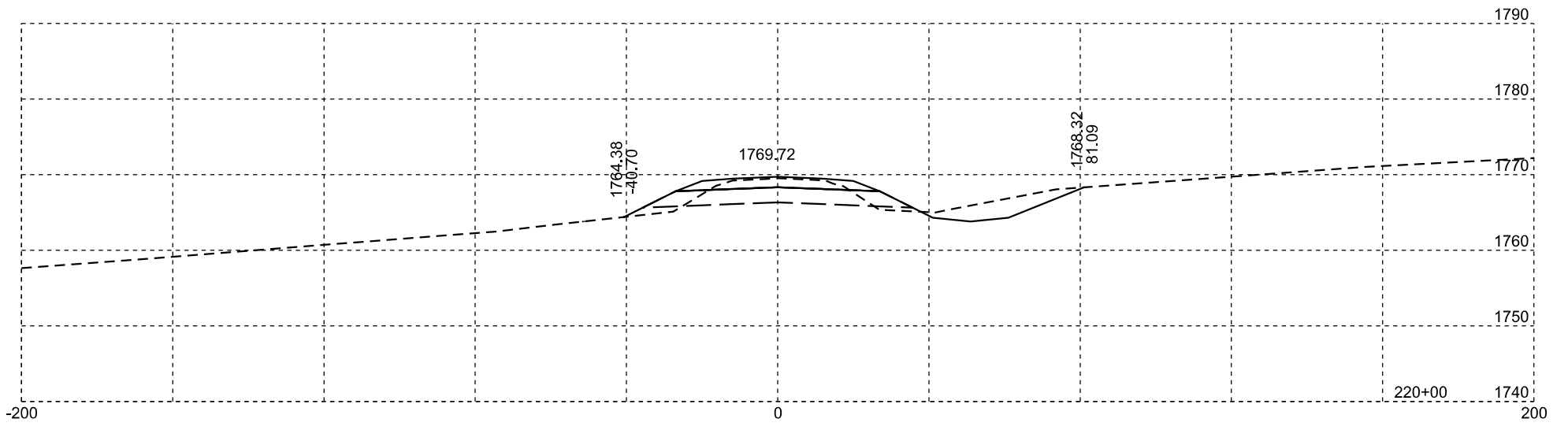
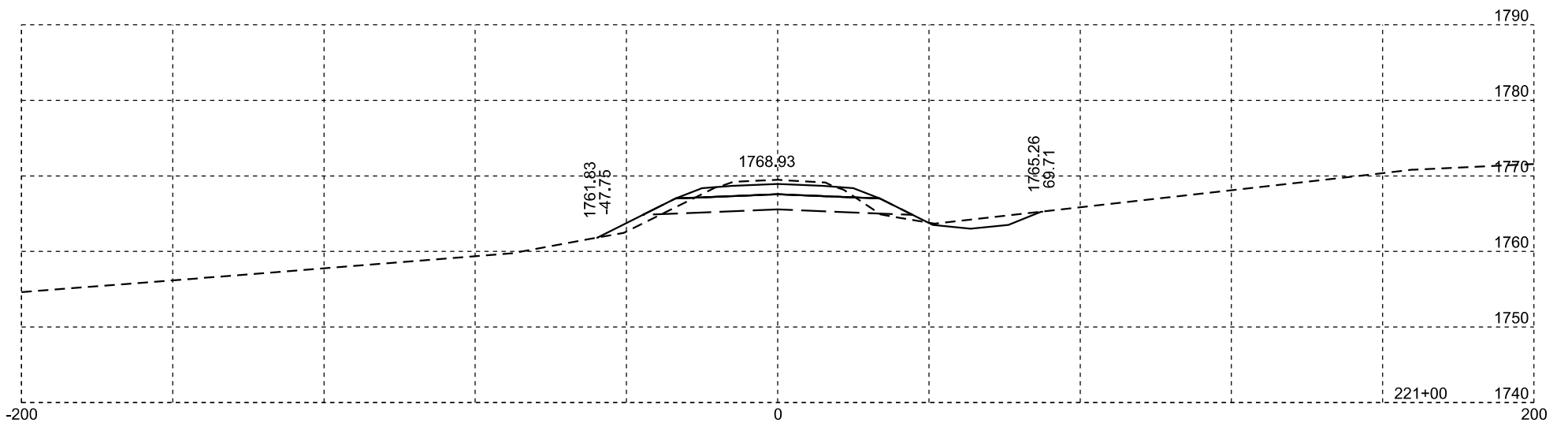
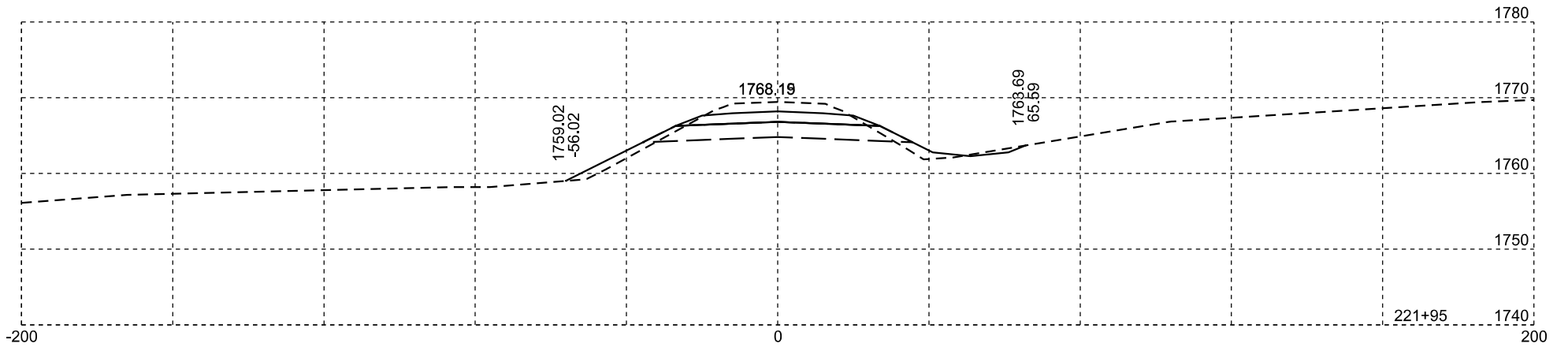
Plotting Date: 10/23/2024

STATE OF SOUTH DAKOTA	PROJECT	SHEET NO.	TOTAL SHEETS
	PH 0028(36)355	X46	X134



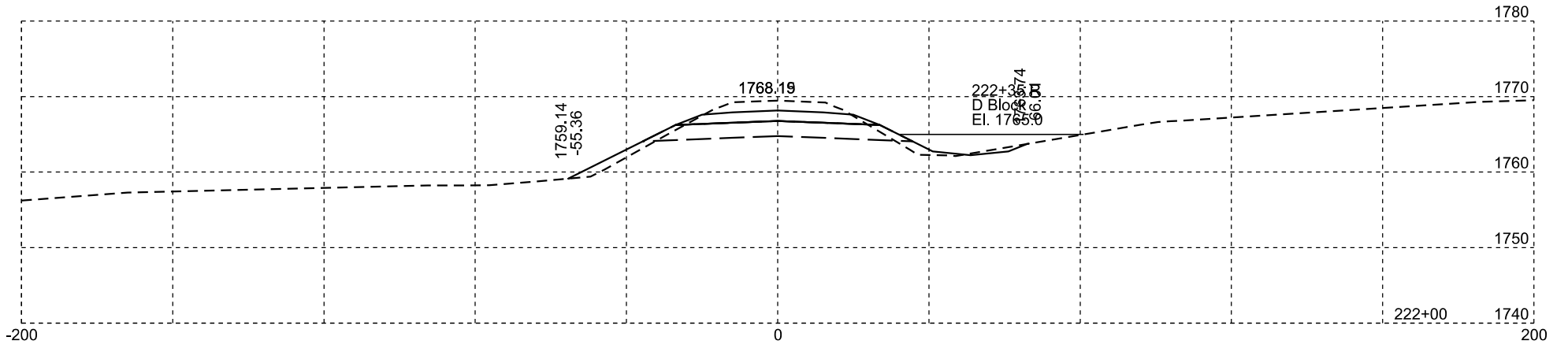
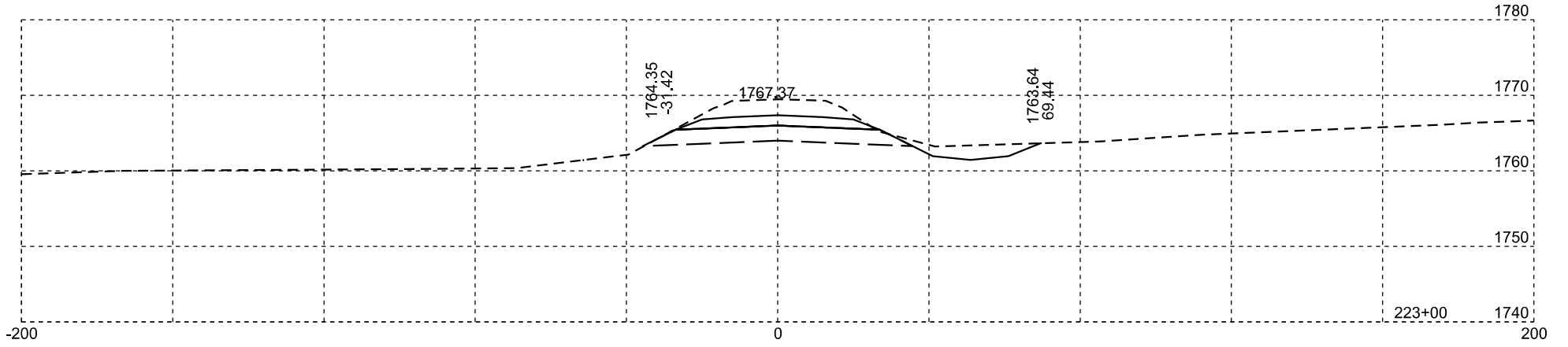
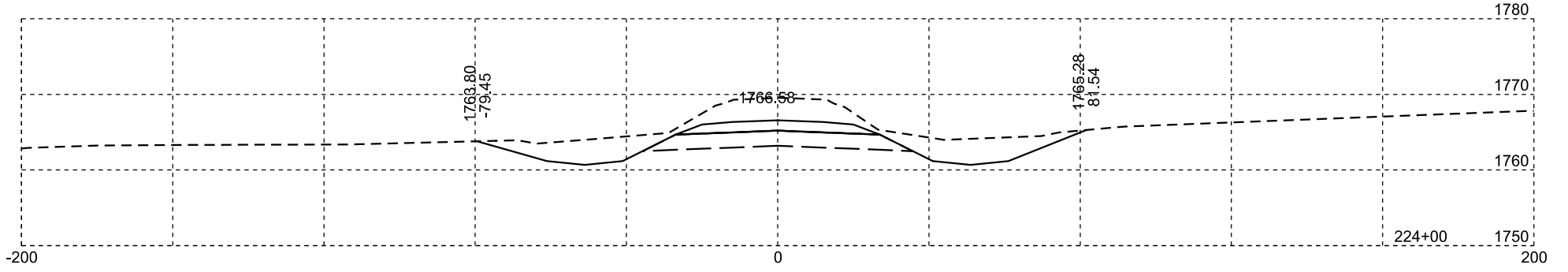
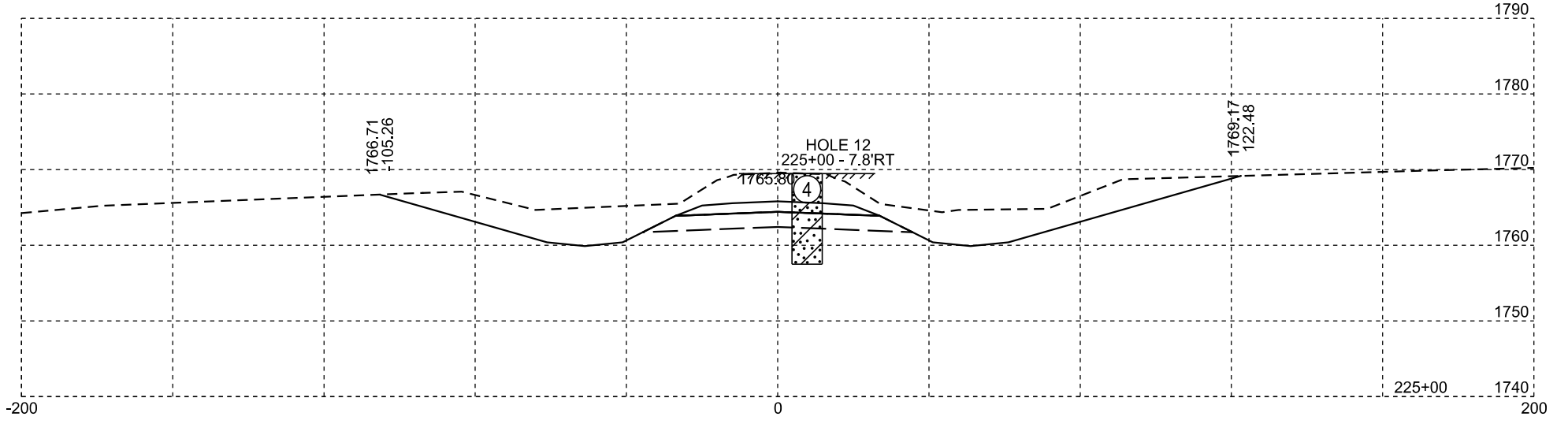
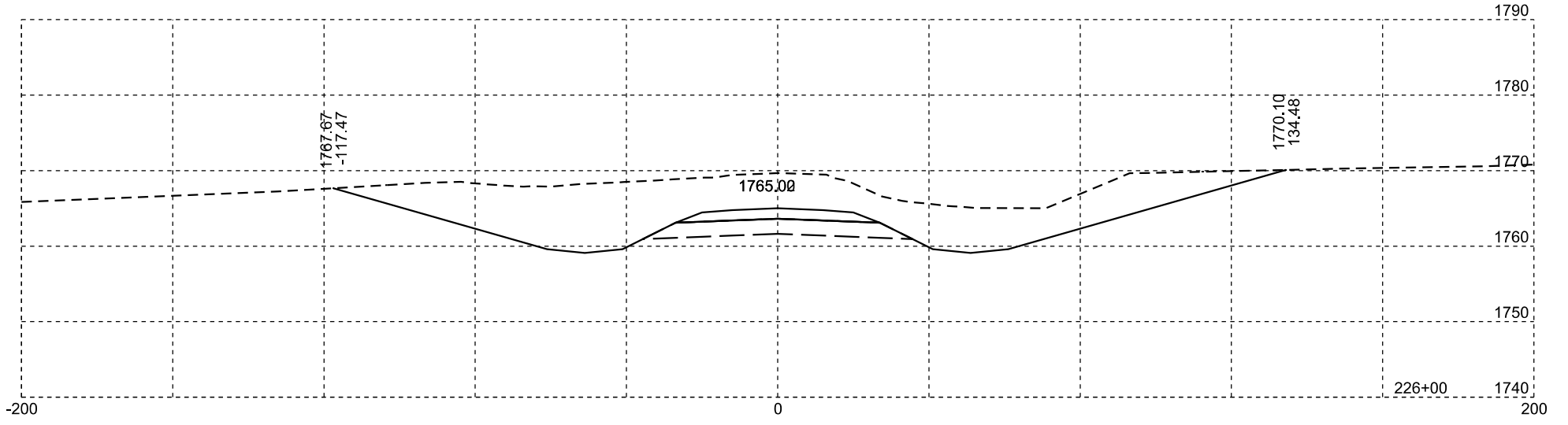
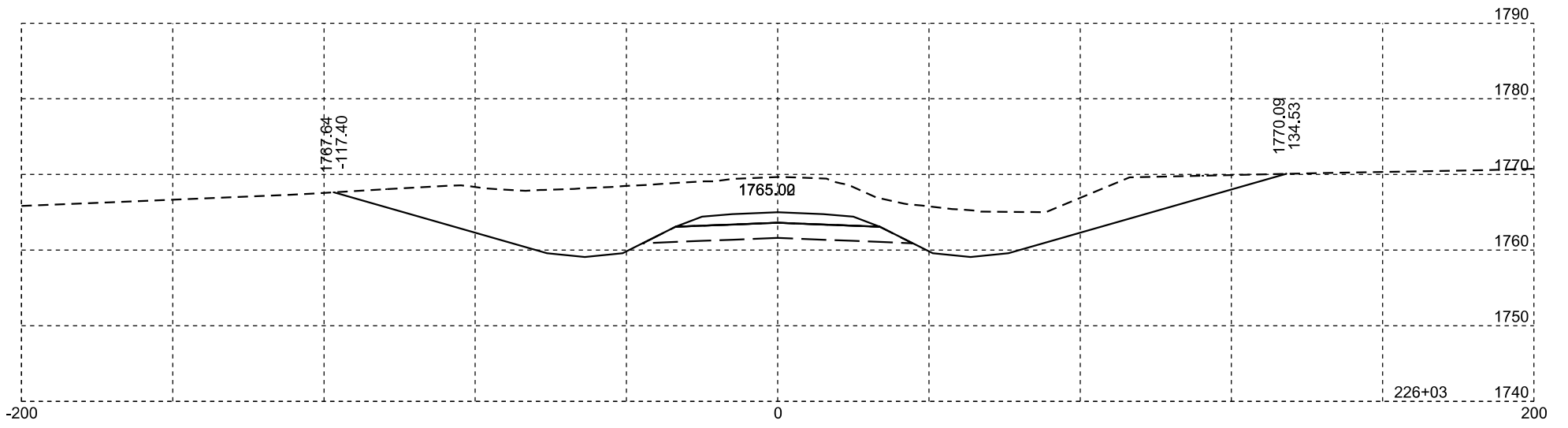
Plotting Date: 10/23/2024

STATE OF SOUTH DAKOTA	PROJECT	SHEET NO.	TOTAL SHEETS
	PH 0028(36)355	X47	X134



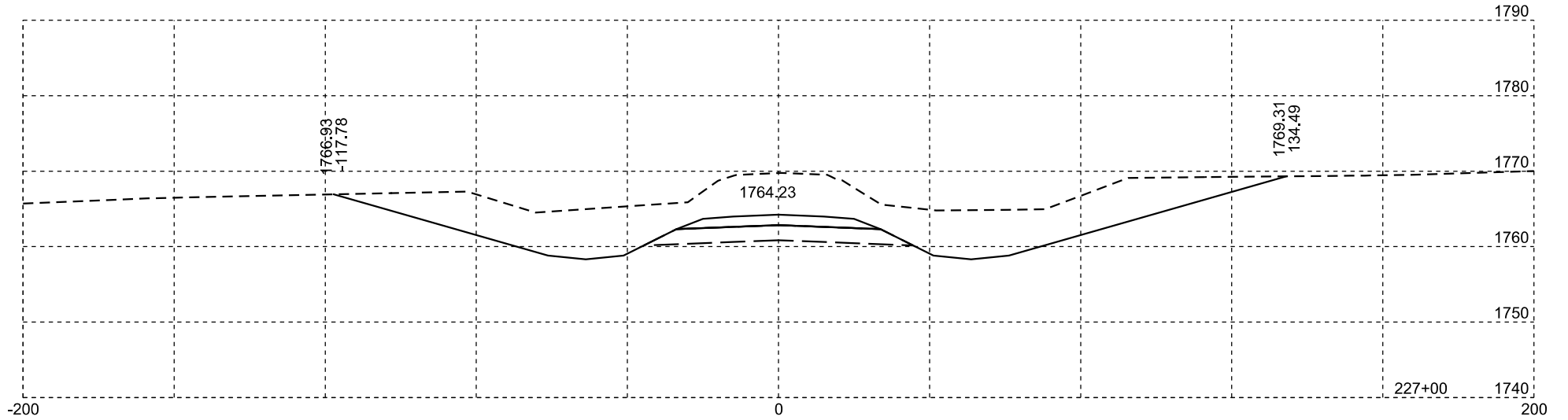
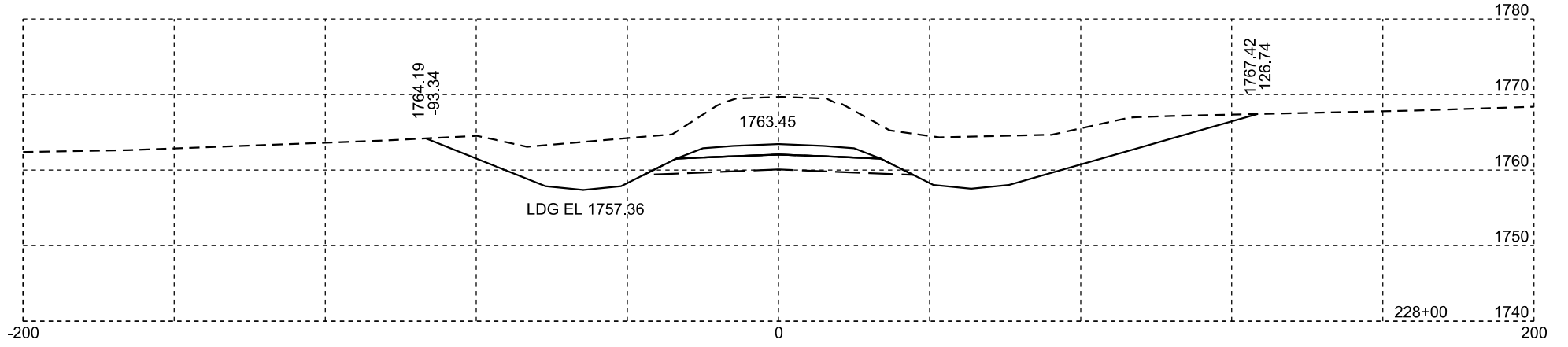
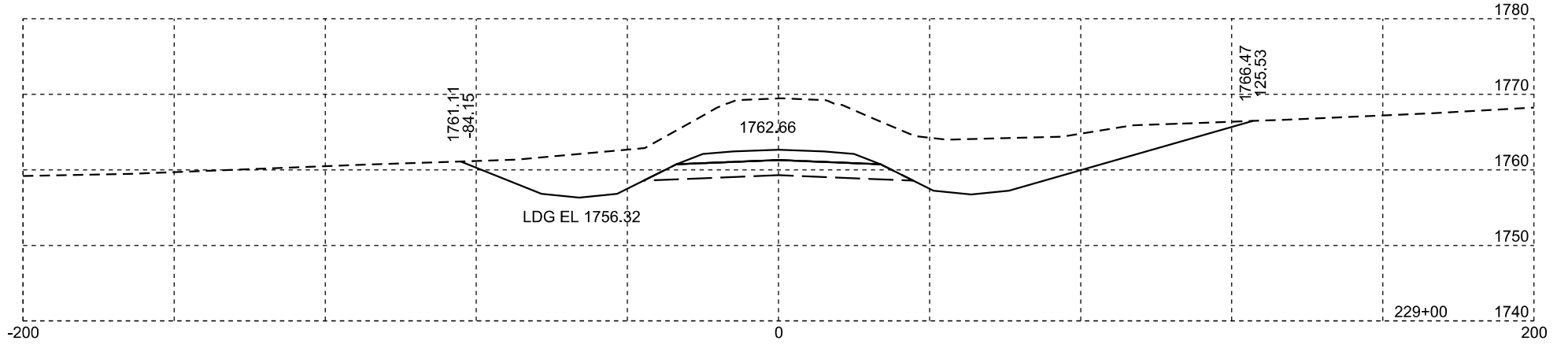
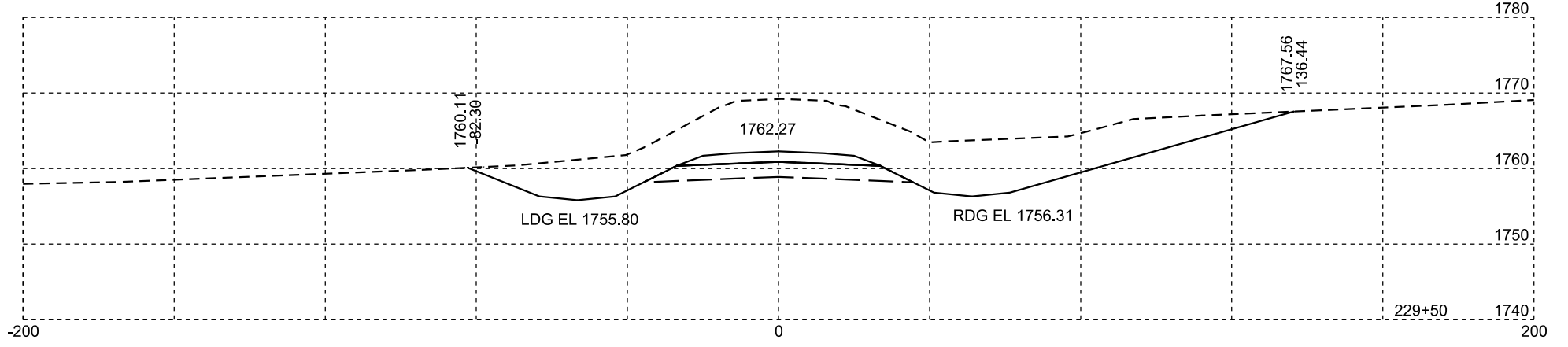
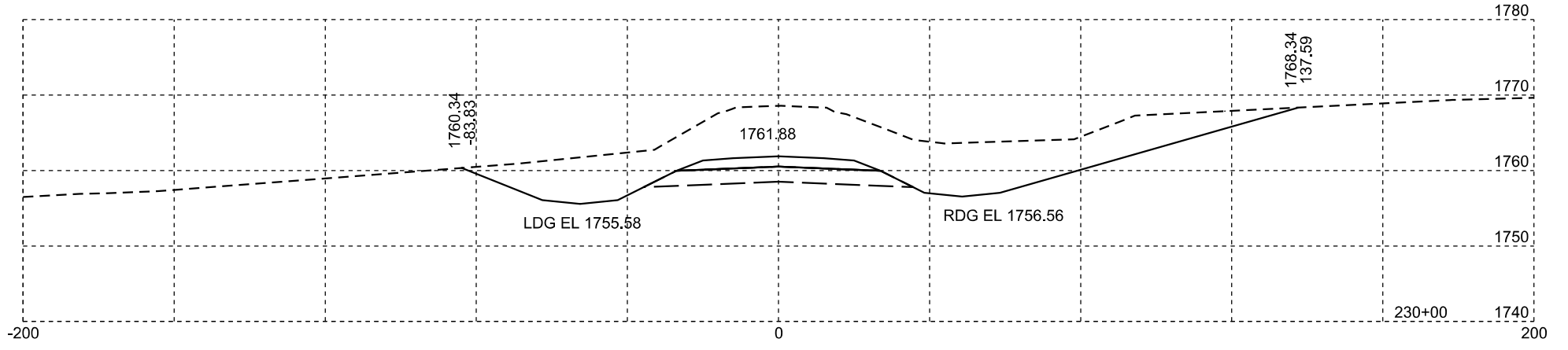
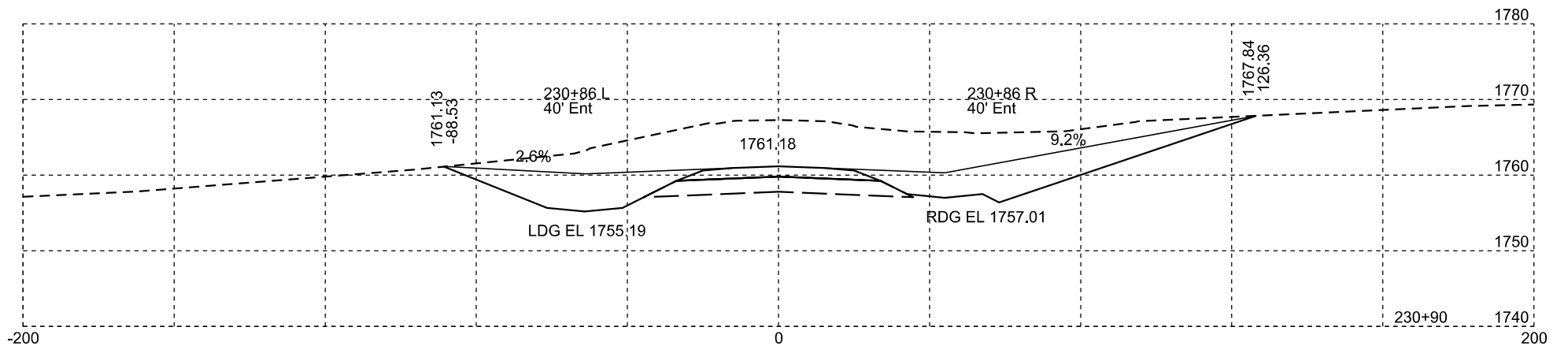
Plotting Date: 10/23/2024

STATE OF SOUTH DAKOTA	PROJECT	SHEET NO.	TOTAL SHEETS
	PH 0028(36)355	X48	X134



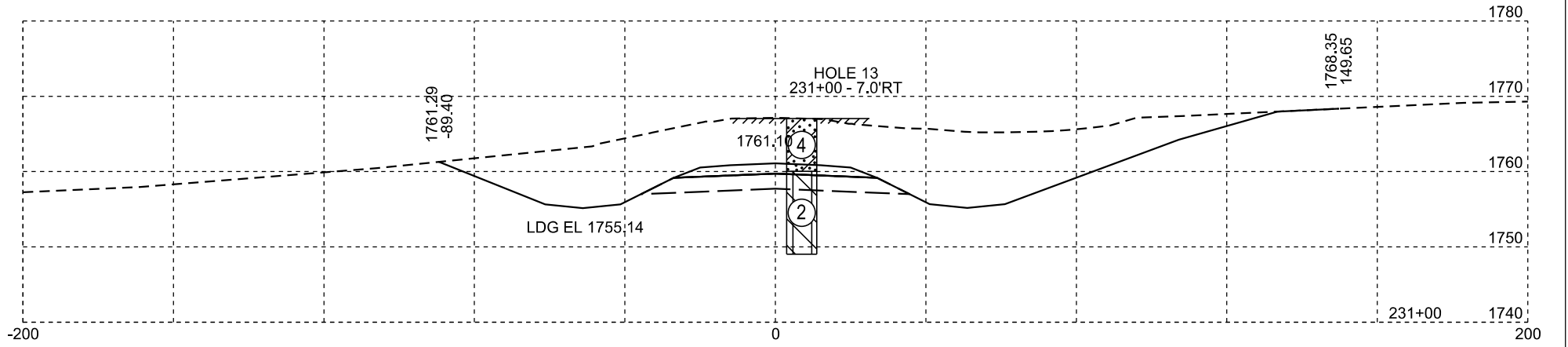
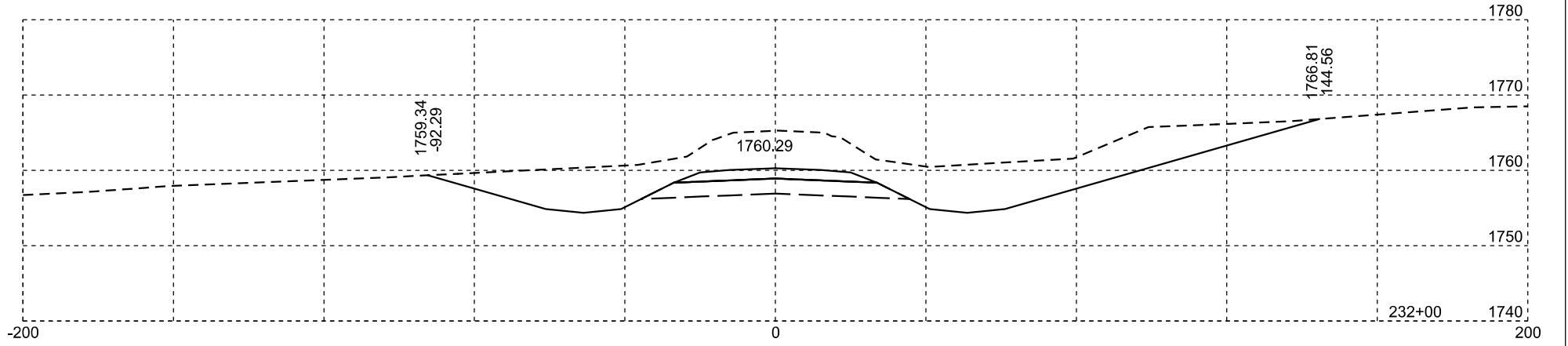
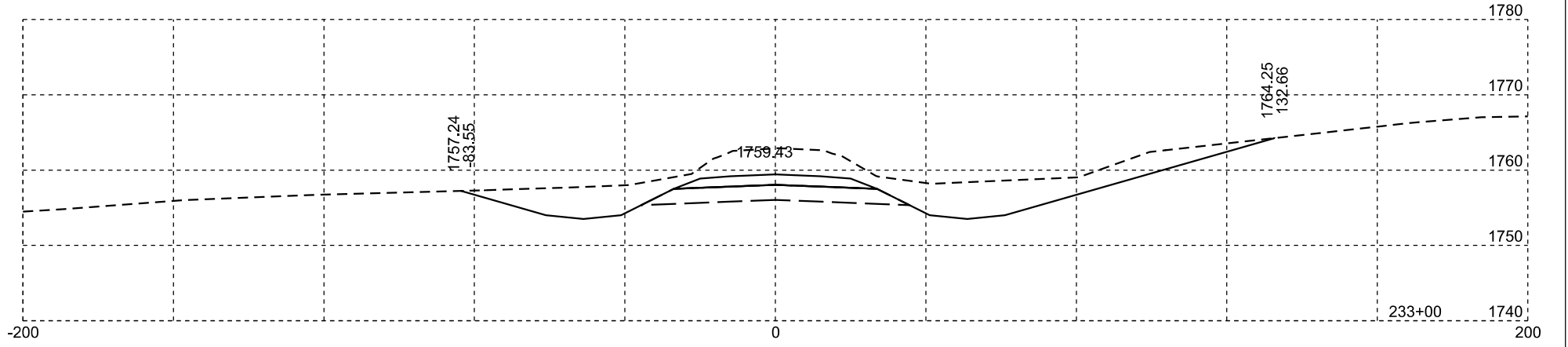
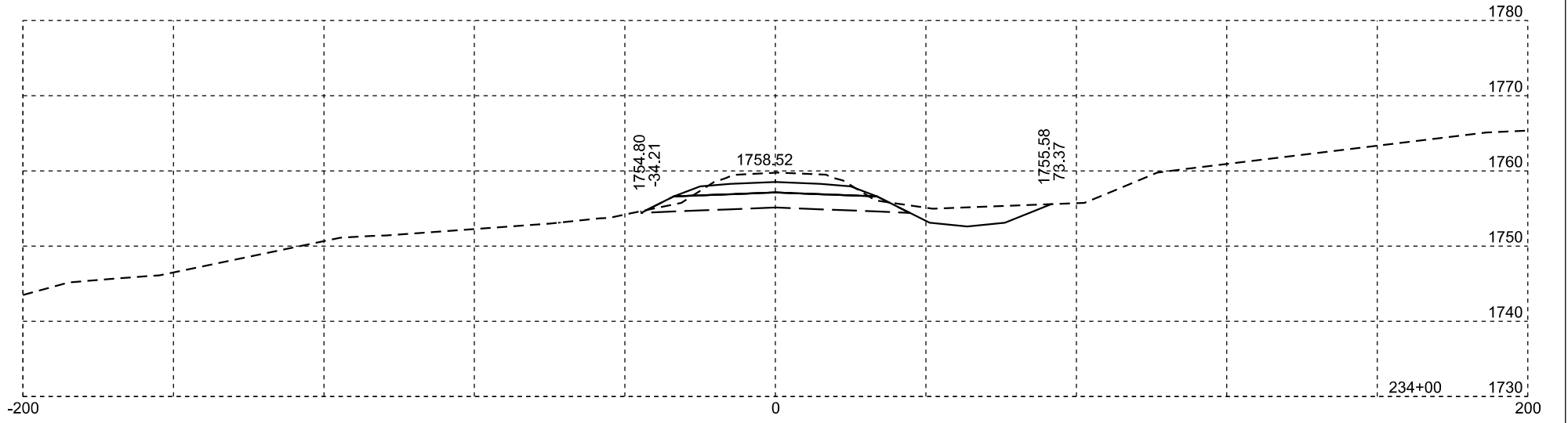
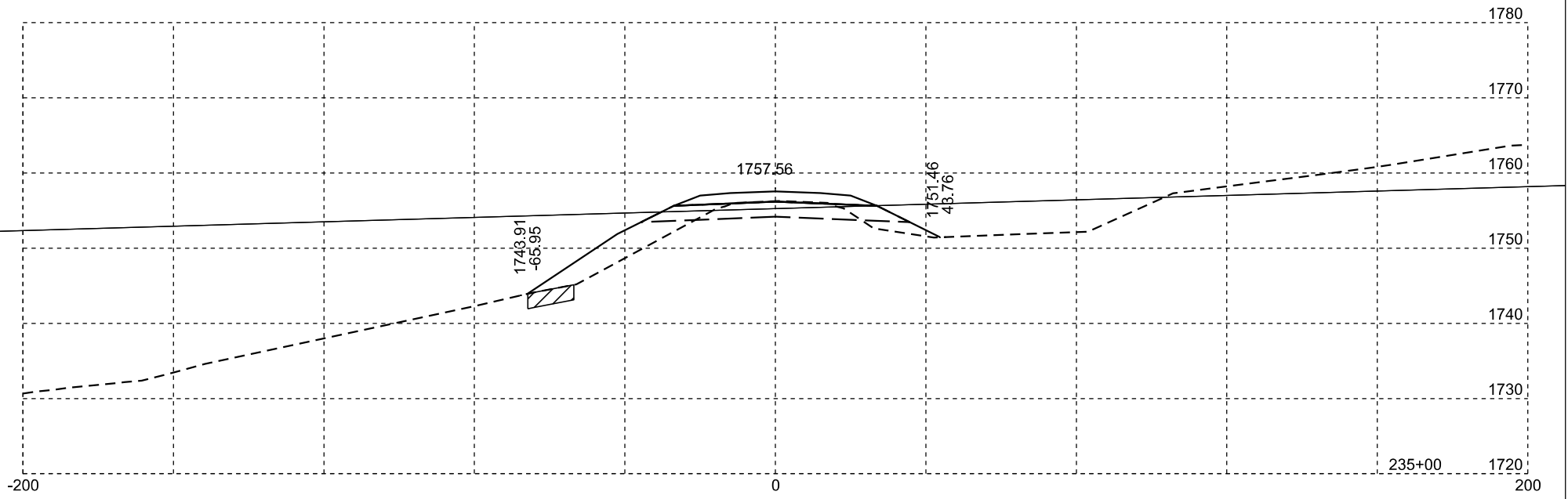
Plotting Date: 10/23/2024

STATE OF SOUTH DAKOTA	PROJECT	SHEET NO.	TOTAL SHEETS
	PH 0028(36)355	X49	X134



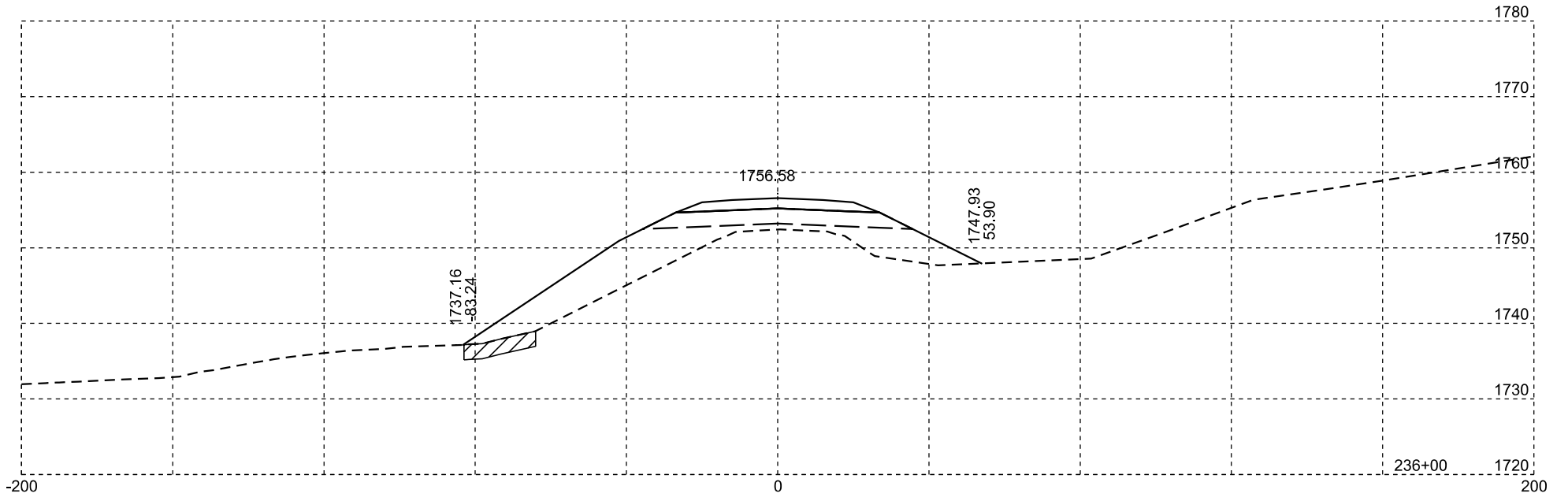
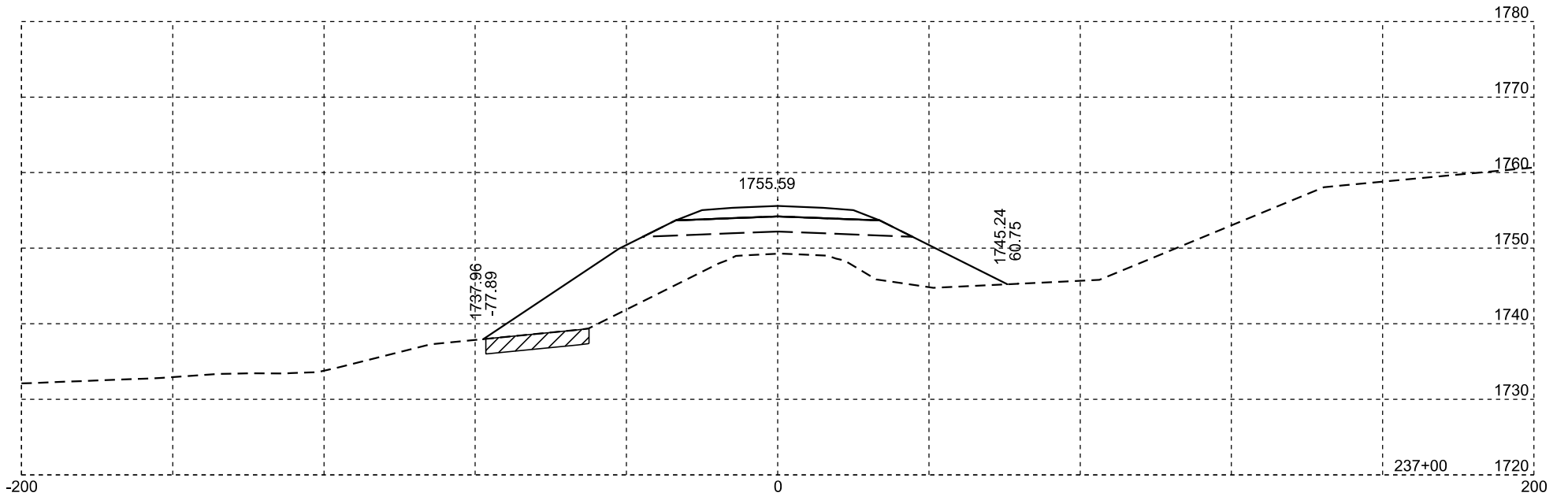
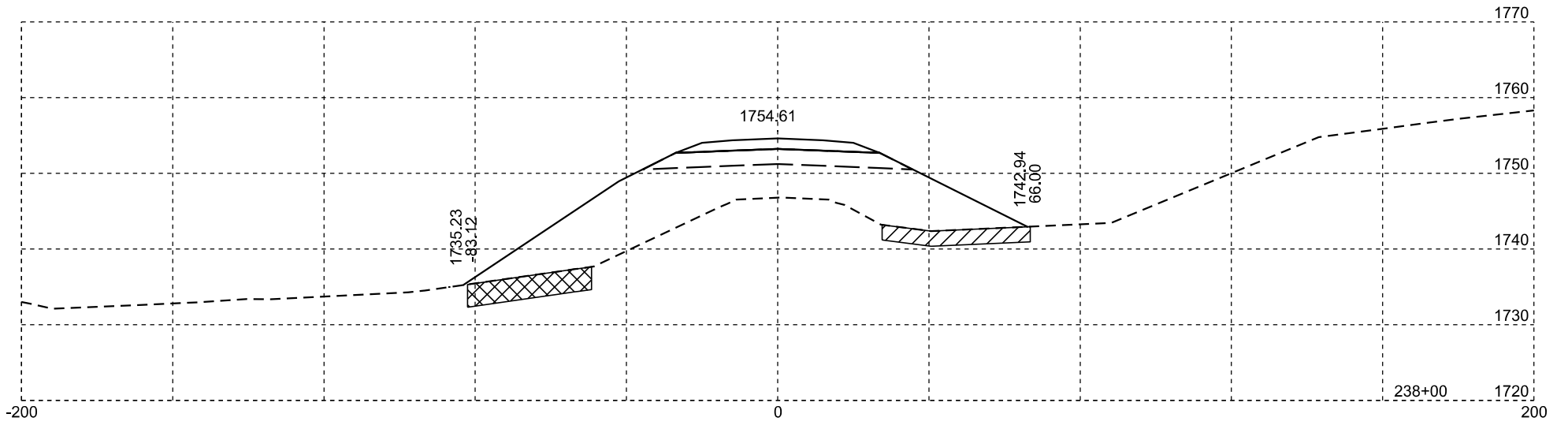
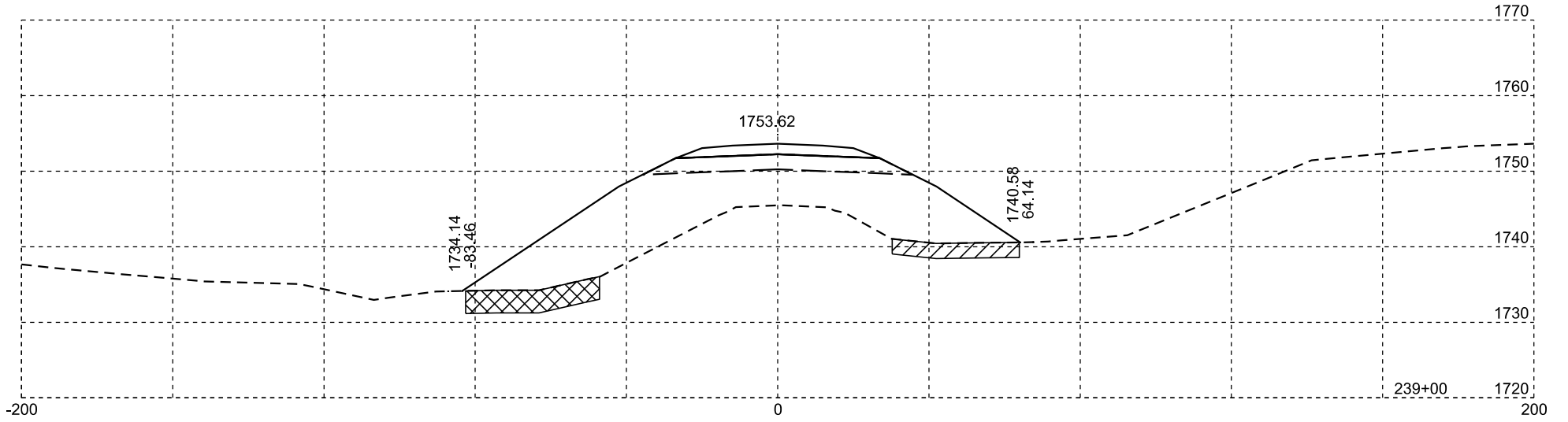
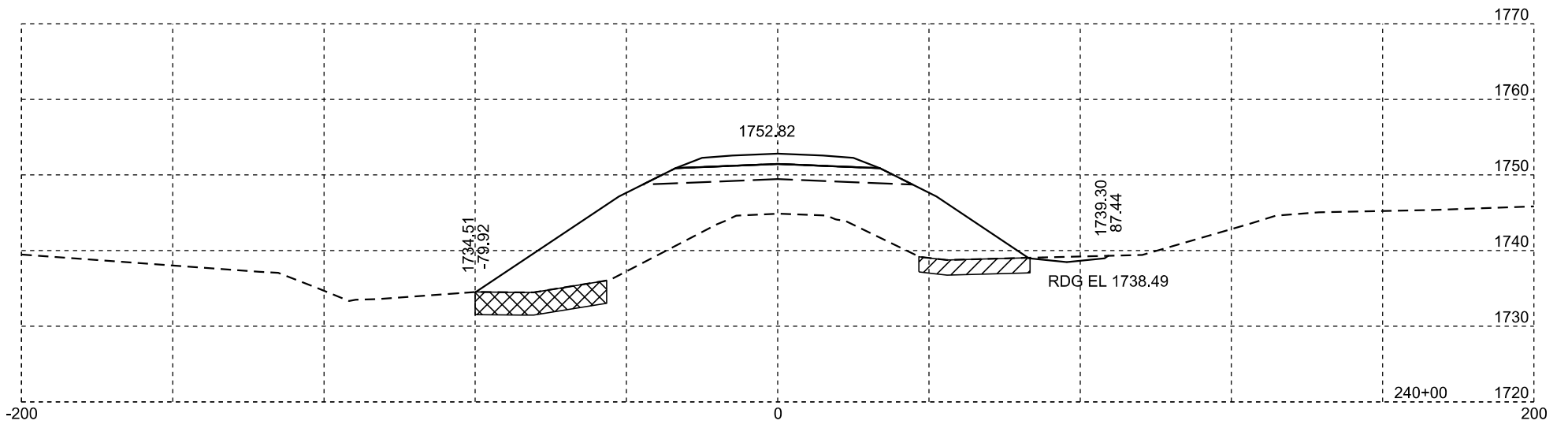
Plotting Date: 10/23/2024

STATE OF SOUTH DAKOTA	PROJECT	SHEET NO.	TOTAL SHEETS
	PH 0028(36)355	X50	X134



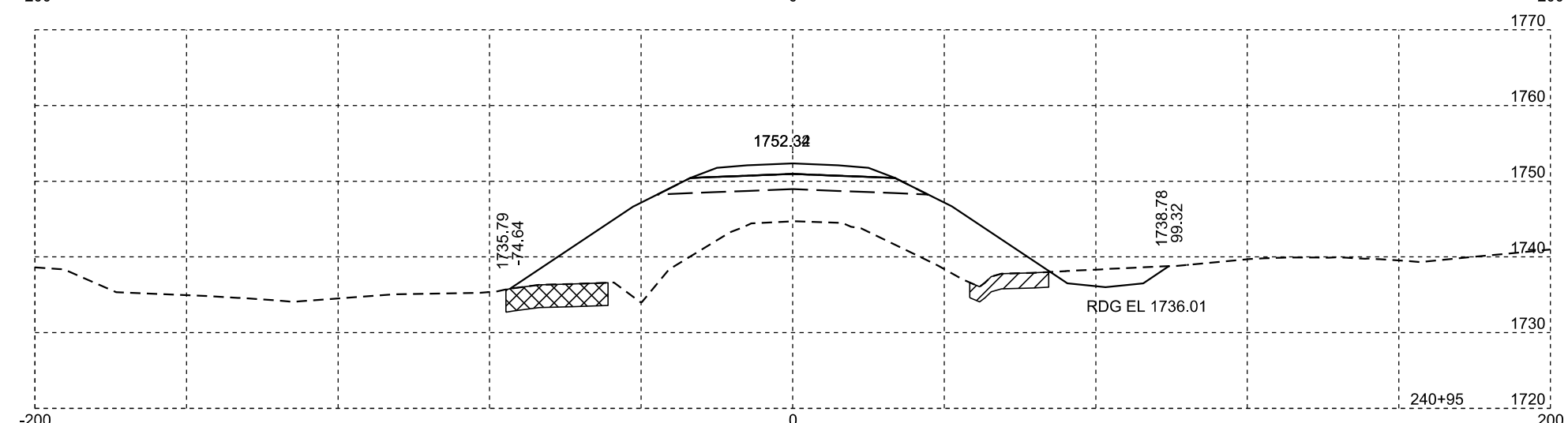
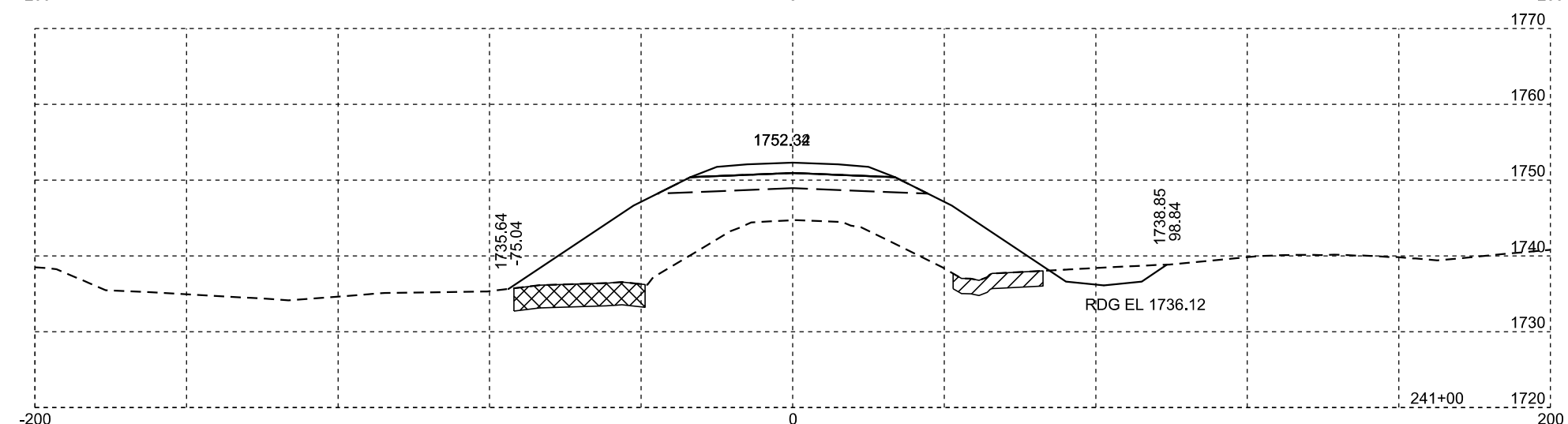
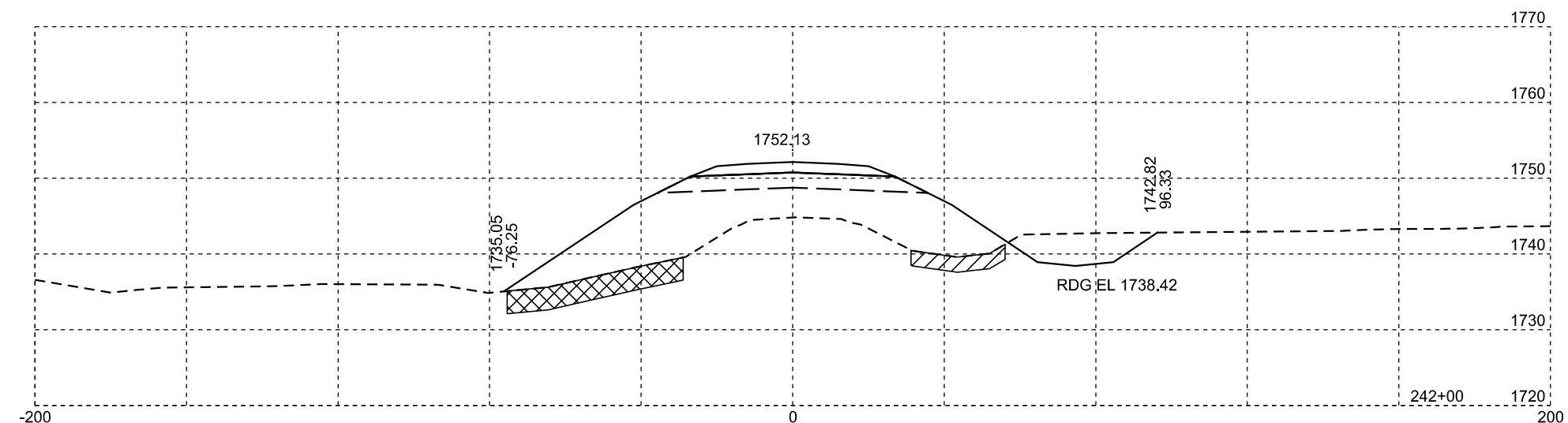
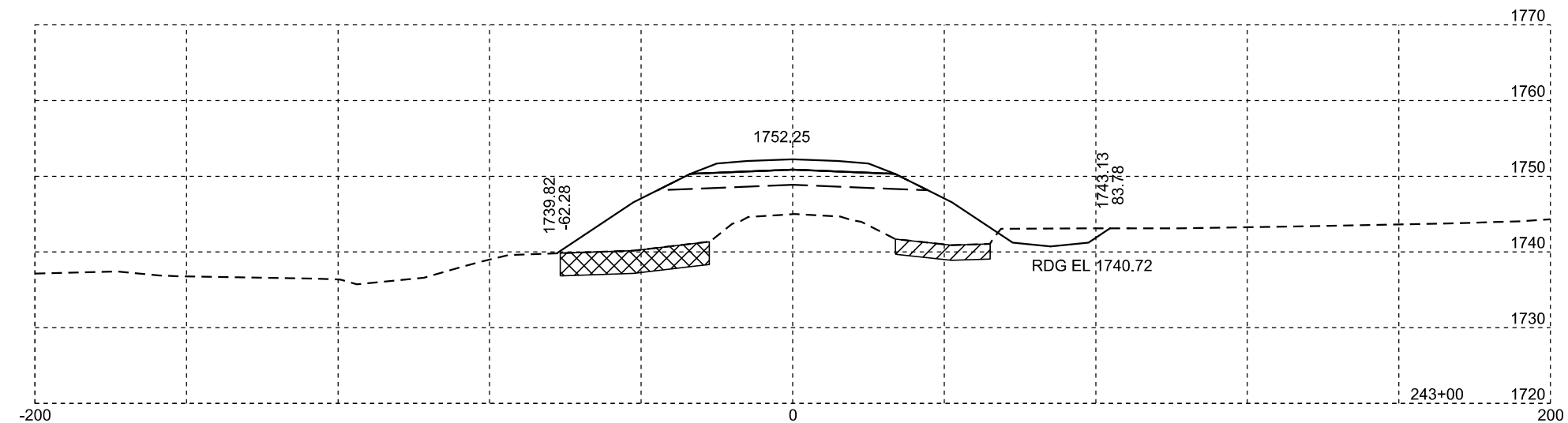
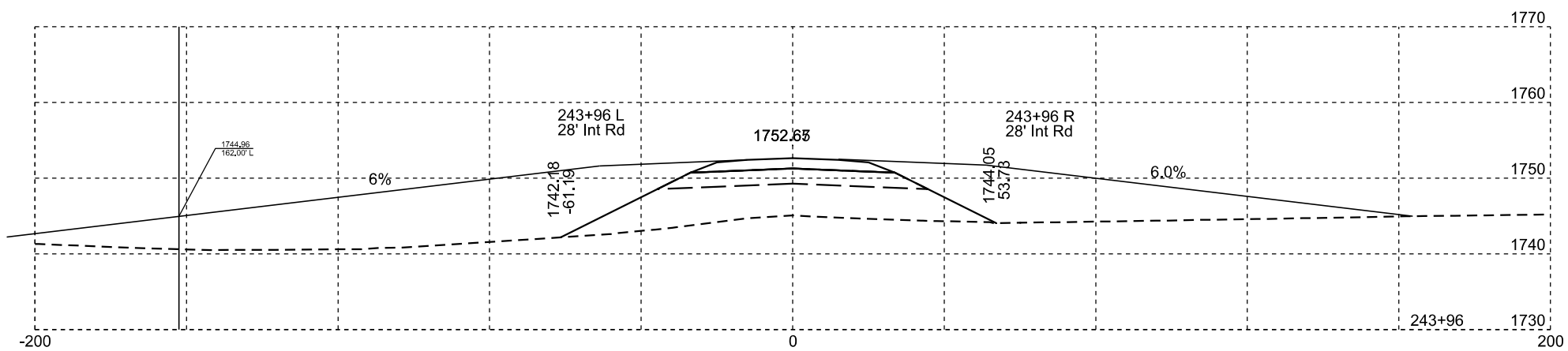
Plotting Date: 10/23/2024

STATE OF SOUTH DAKOTA	PROJECT	SHEET NO.	TOTAL SHEETS
	PH 0028(36)355	X51	X134



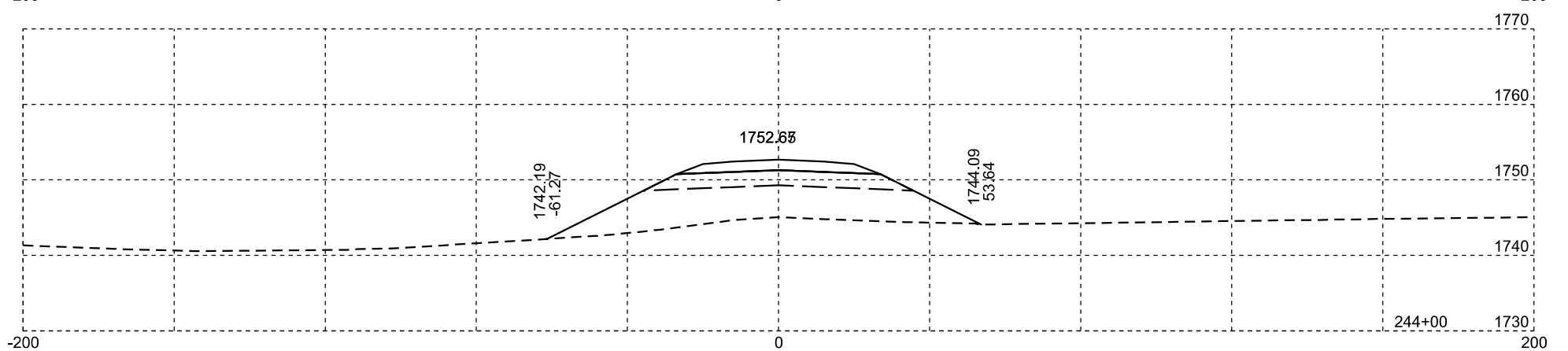
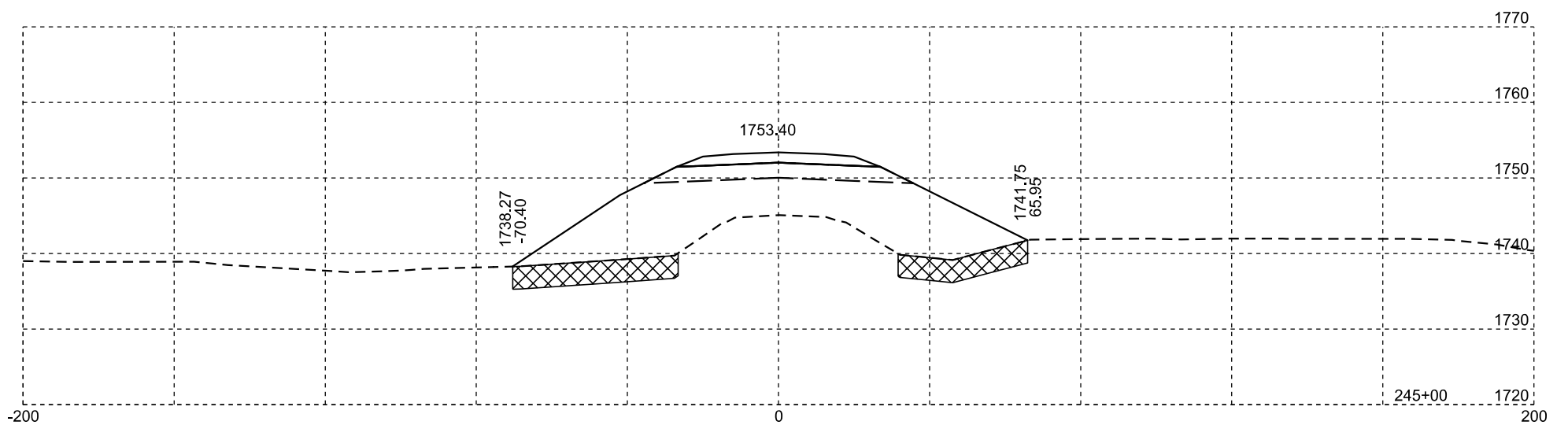
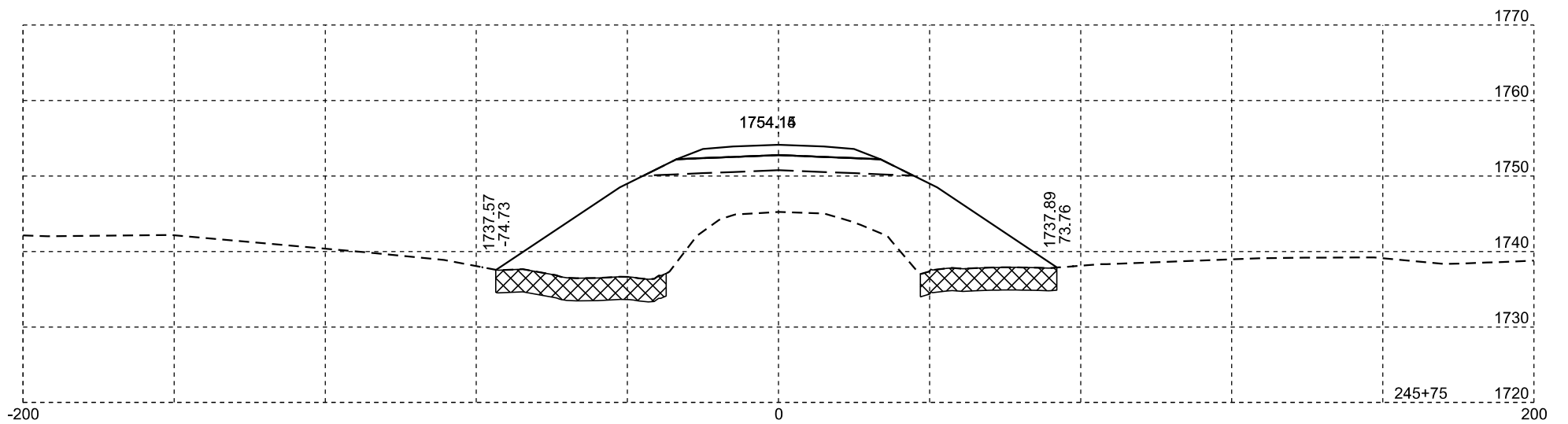
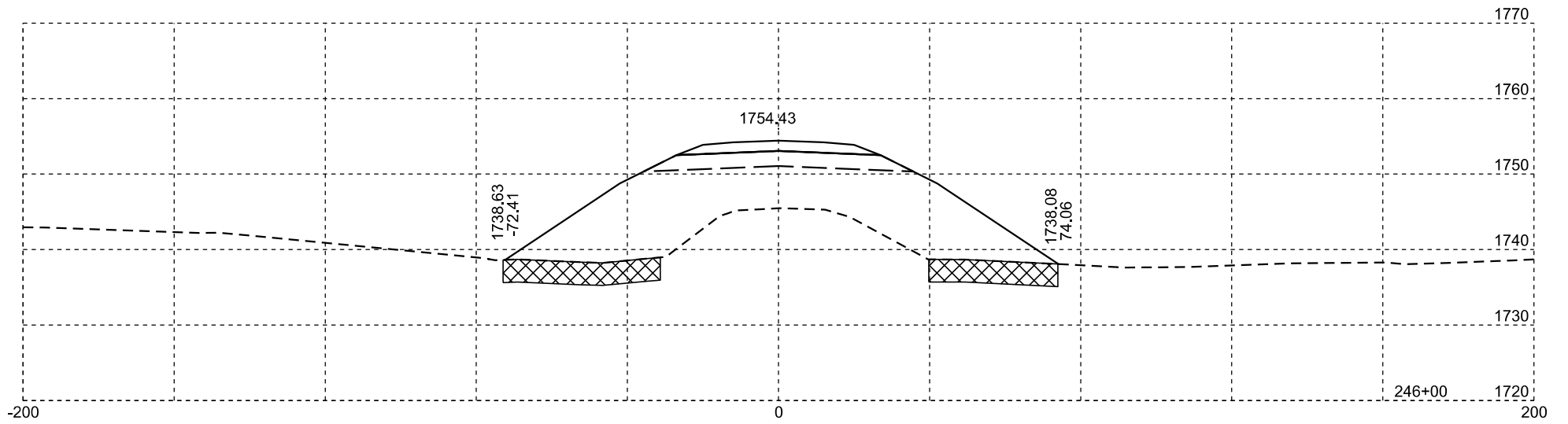
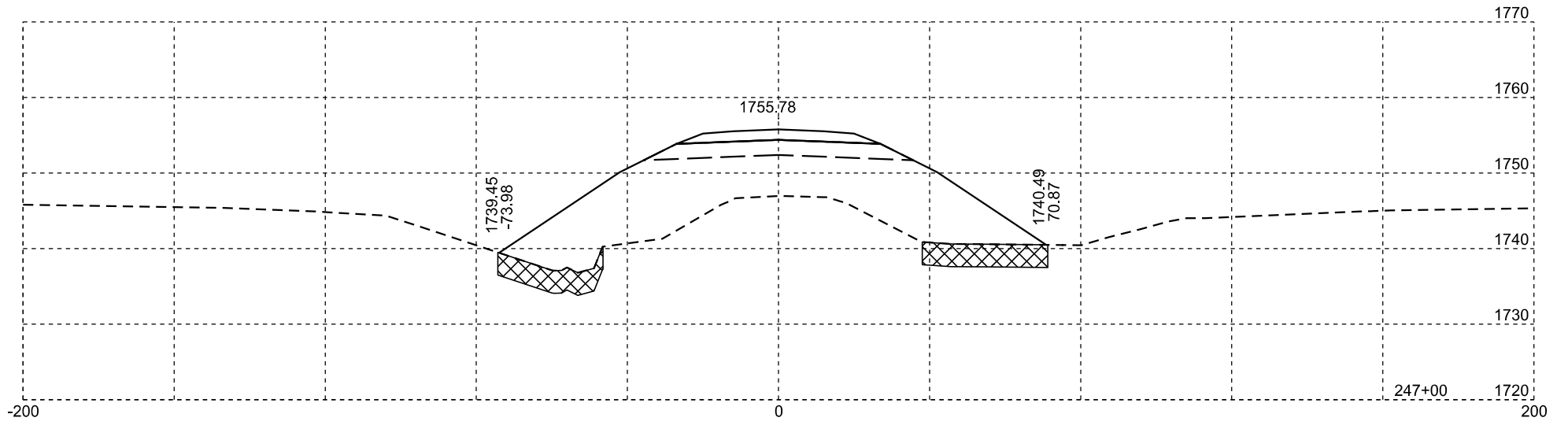
Plotting Date: 10/23/2024

STATE OF SOUTH DAKOTA	PROJECT	SHEET NO.	TOTAL SHEETS
	PH 0028(36)355	X52	X134



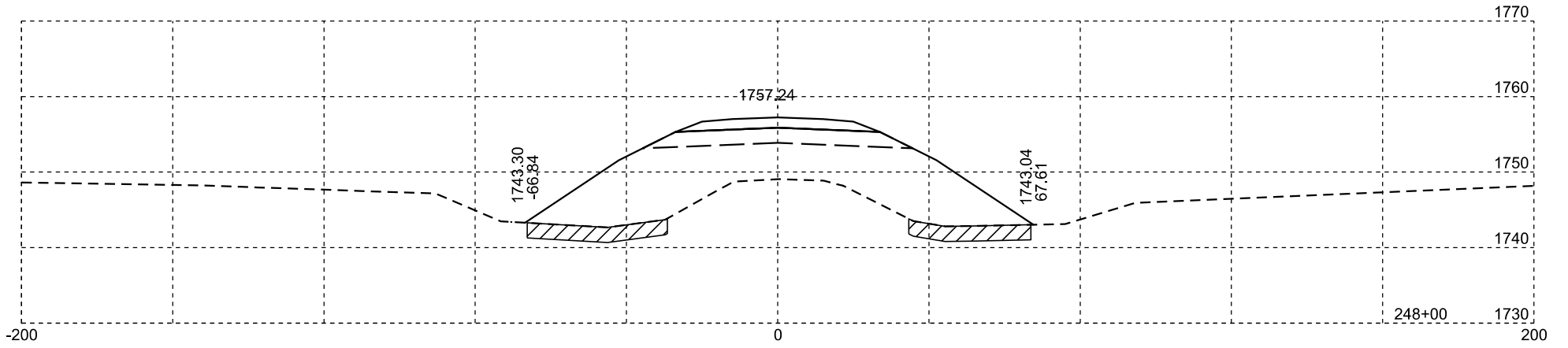
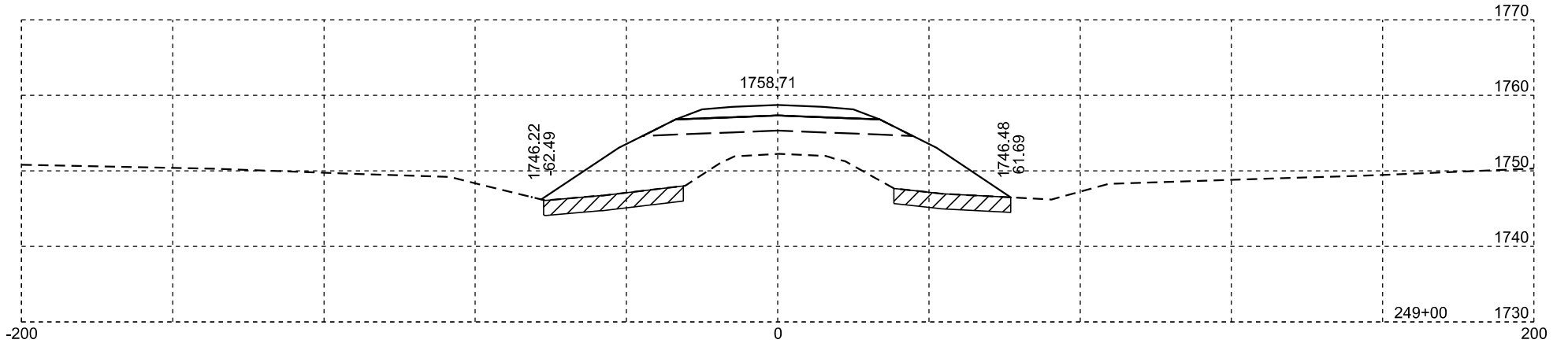
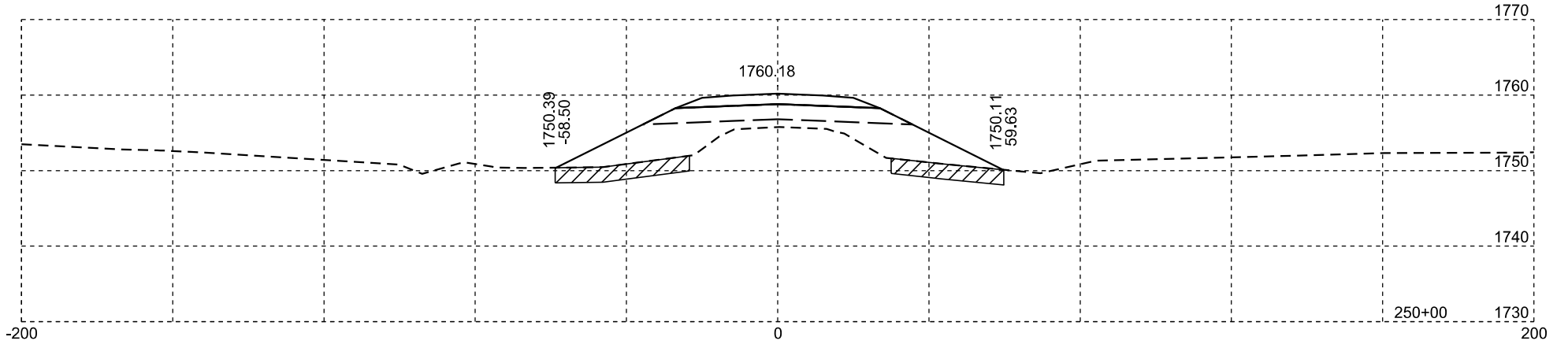
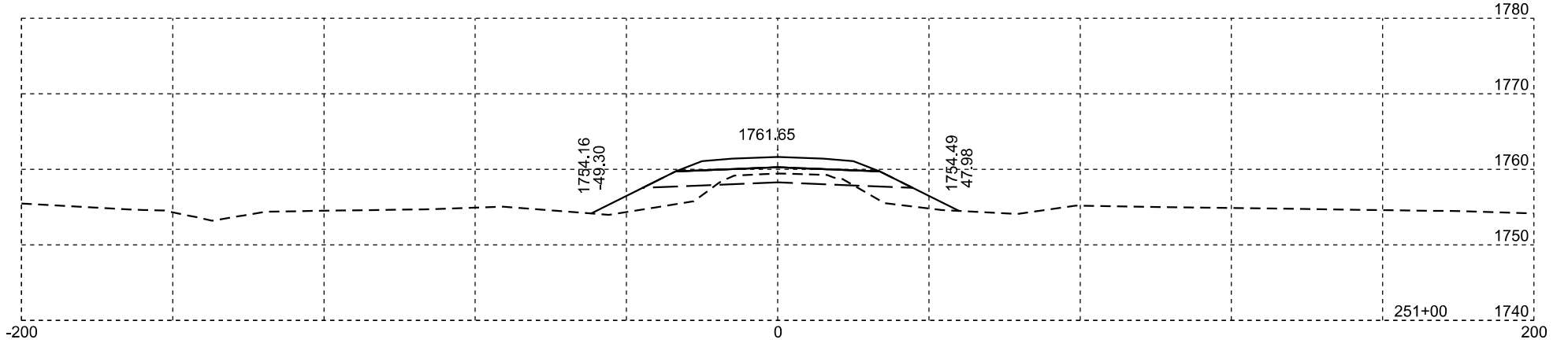
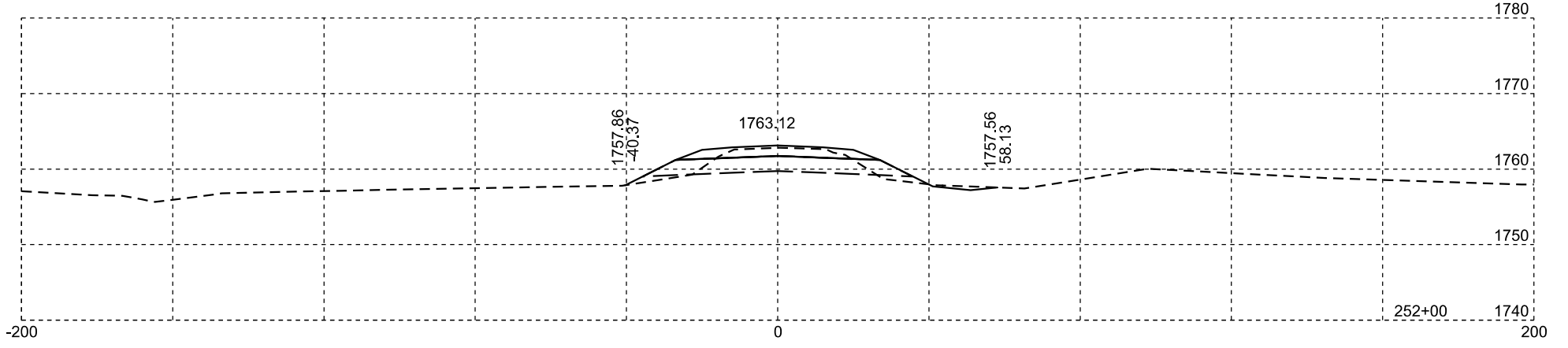
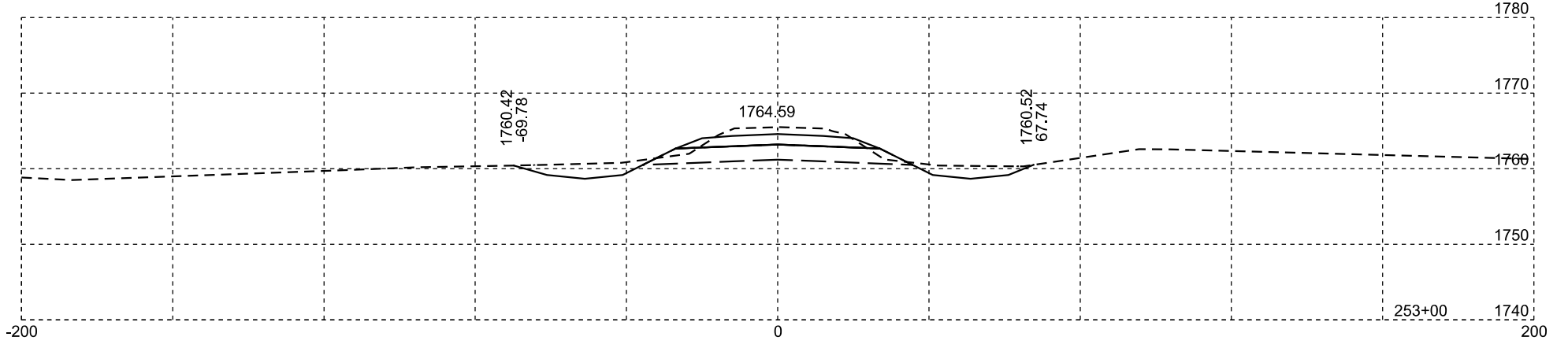
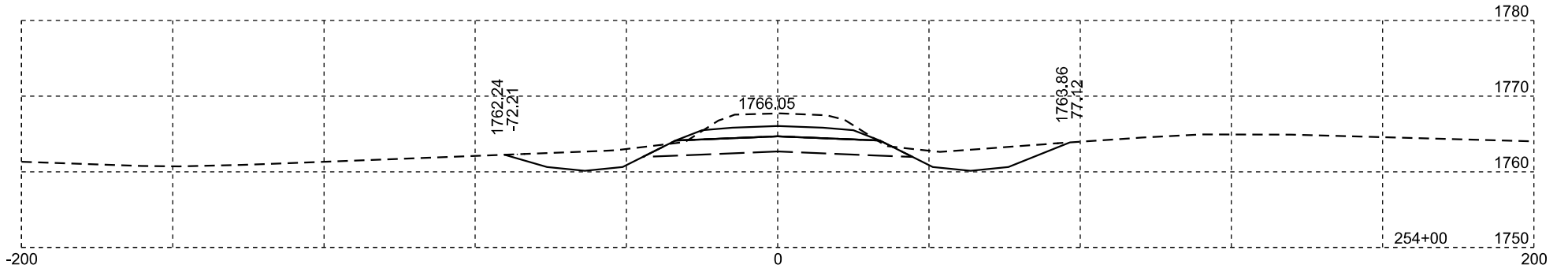
Plotting Date: 10/23/2024

STATE OF SOUTH DAKOTA	PROJECT	SHEET NO.	TOTAL SHEETS
	PH 0028(36)355	X53	X134



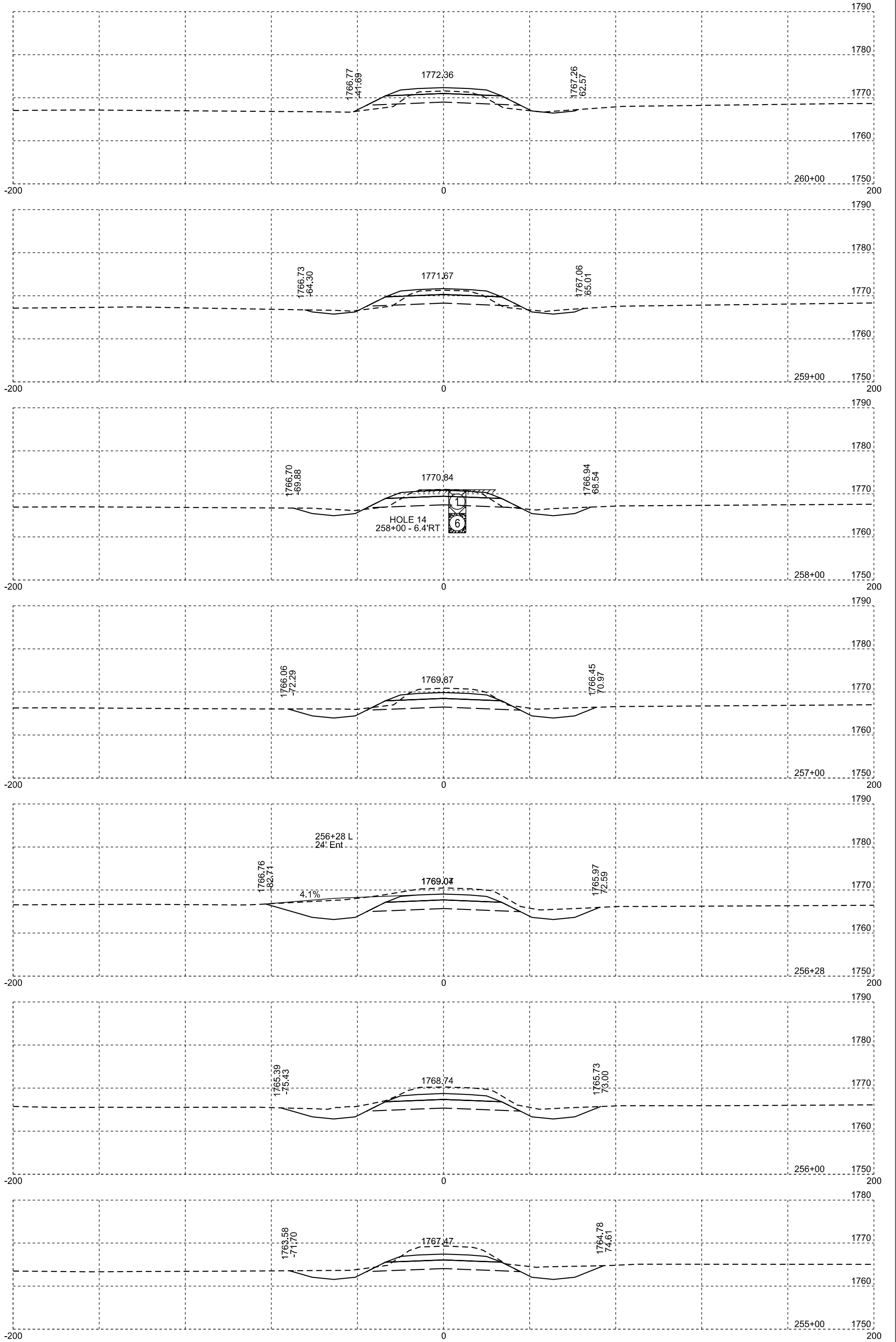
Plotting Date: 10/23/2024

STATE OF SOUTH DAKOTA	PROJECT	SHEET NO.	TOTAL SHEETS
	PH 0028(36)355	X54	X134



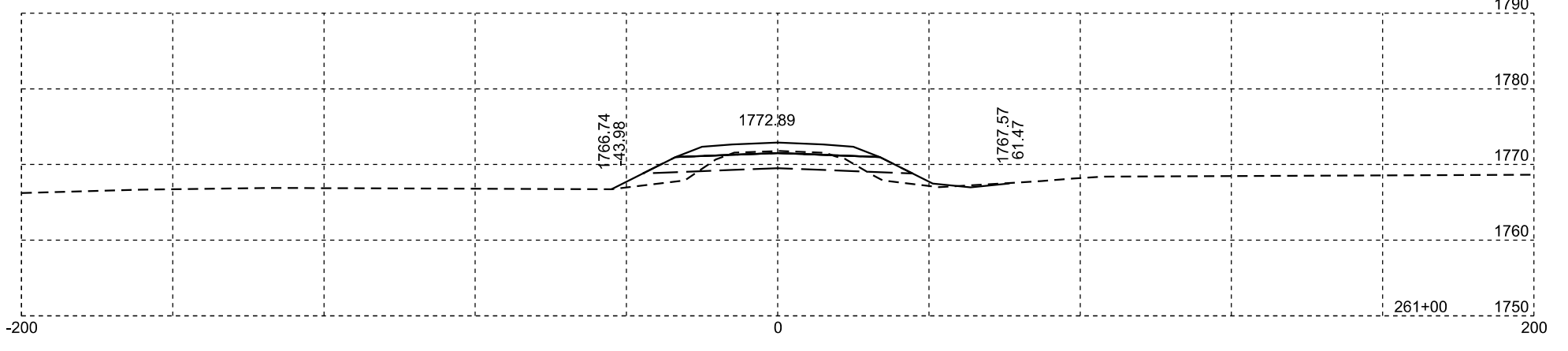
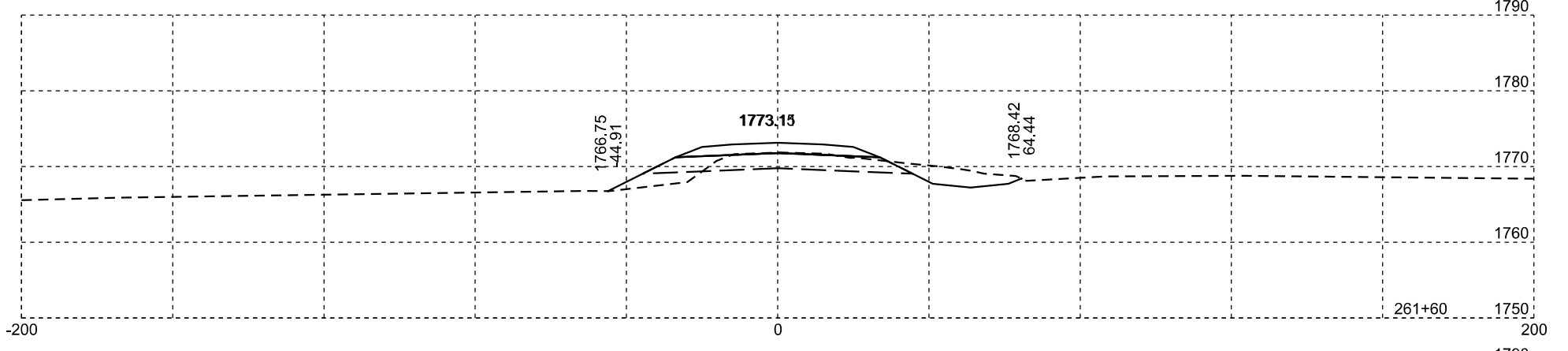
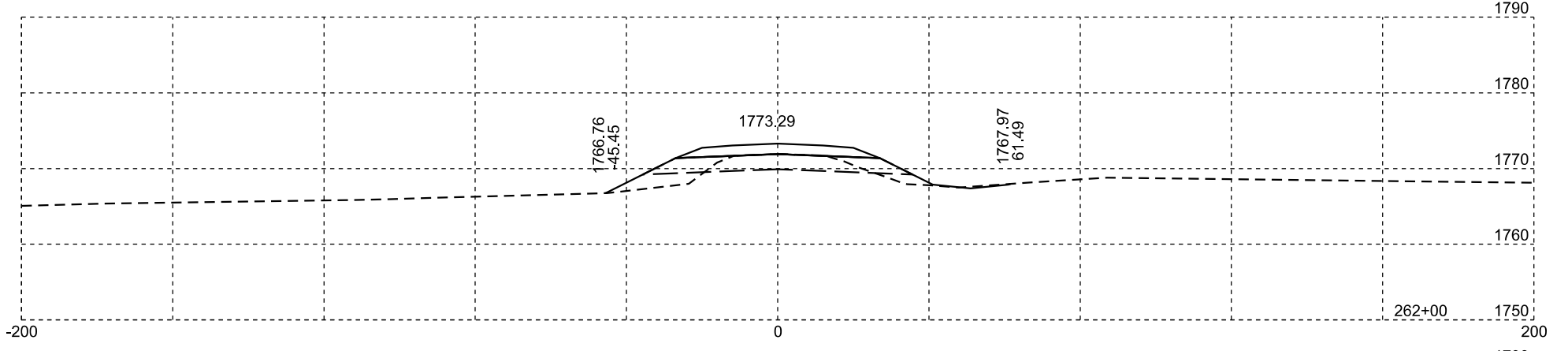
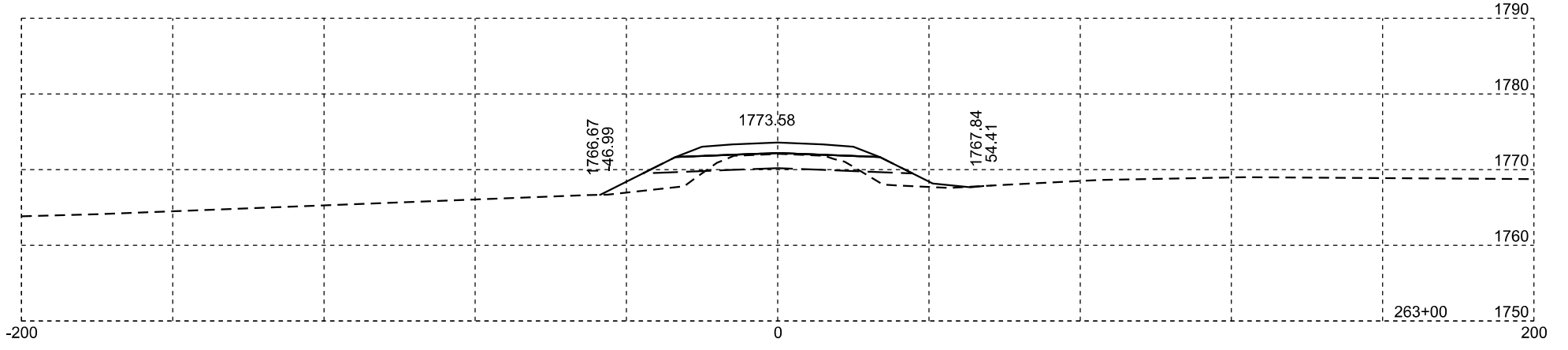
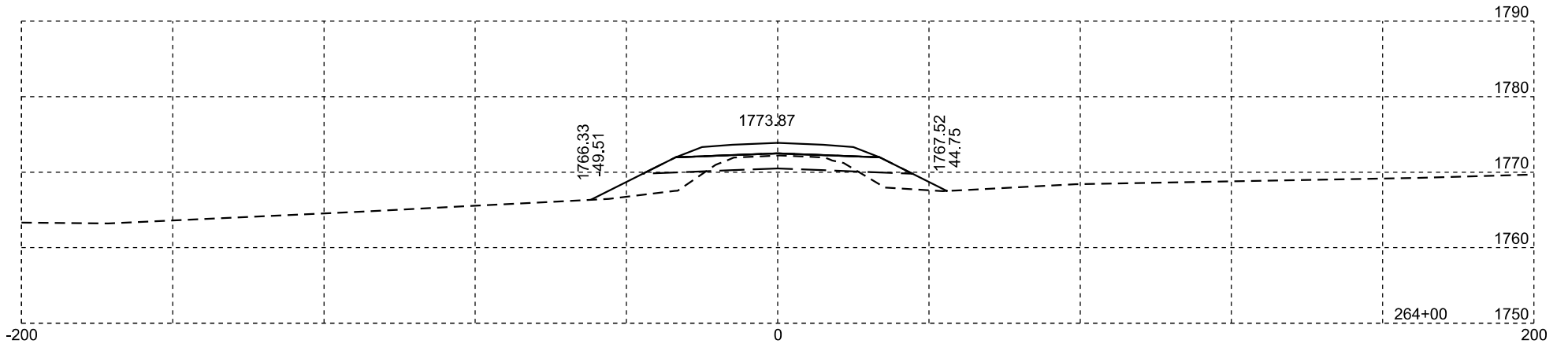
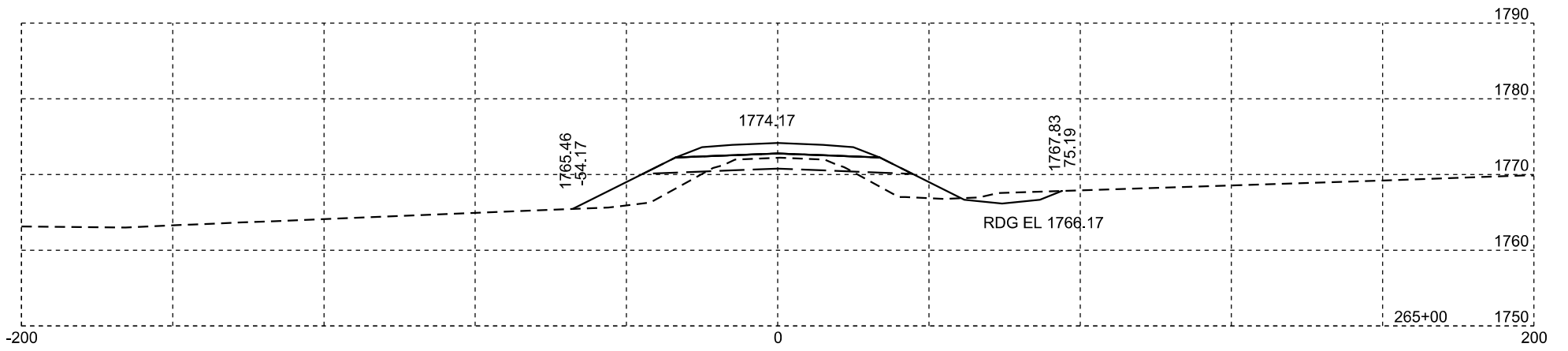
Plotting Date: 10/23/2024

STATE OF SOUTH DAKOTA	PROJECT	SHEET NO.	TOTAL SHEETS
	PH 0028(36)355	X55	X134



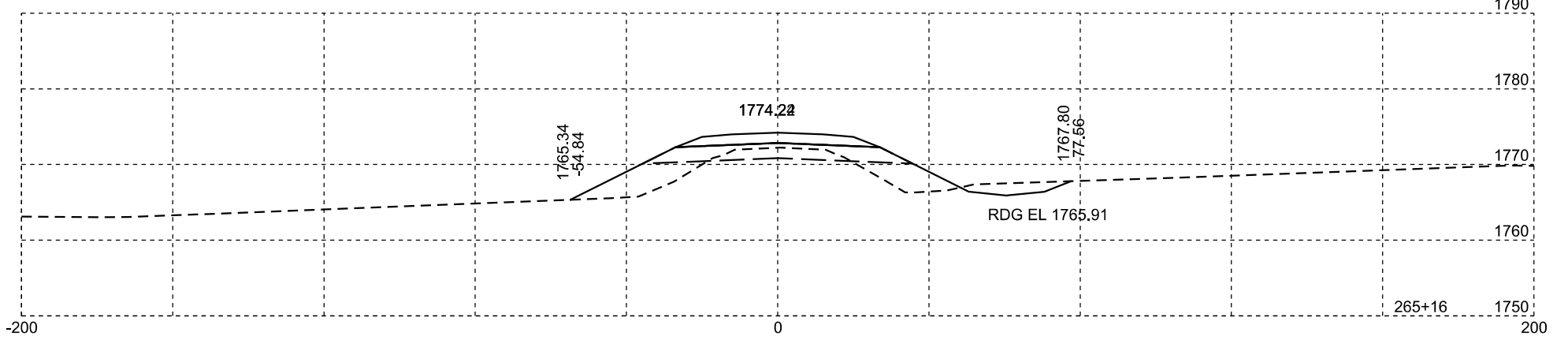
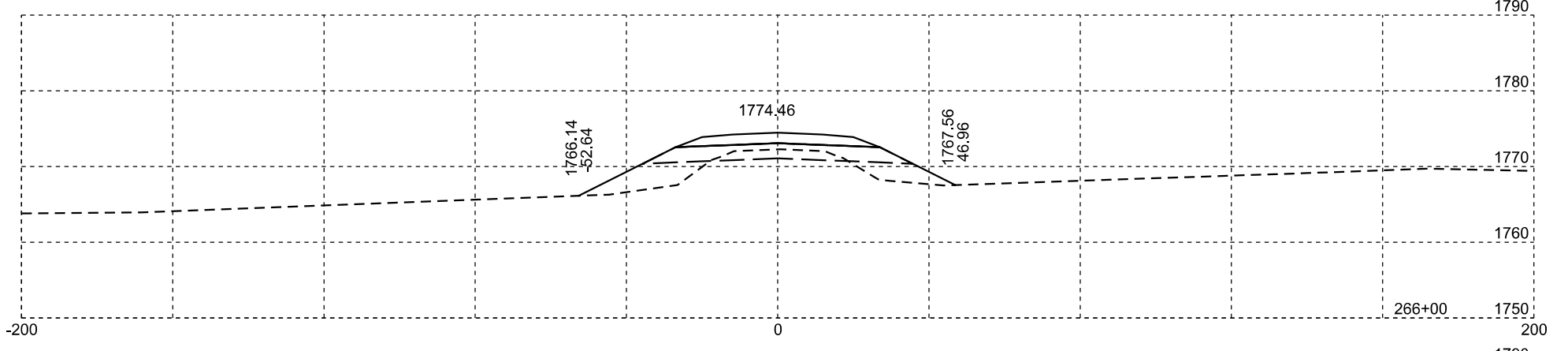
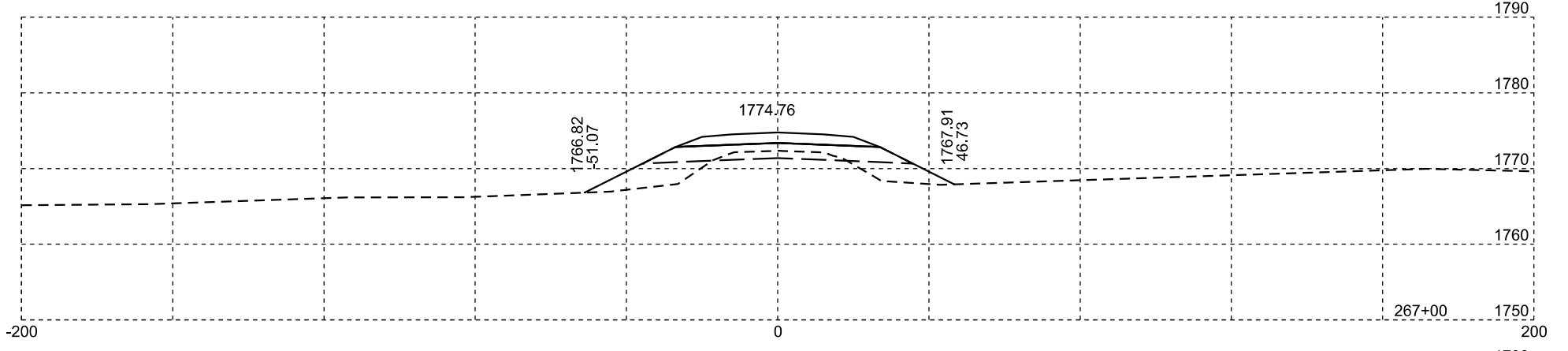
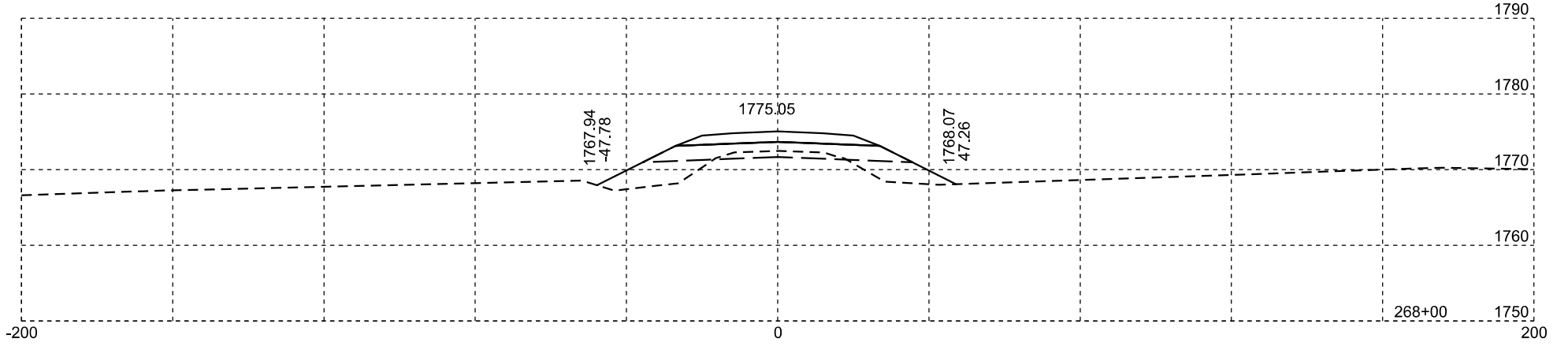
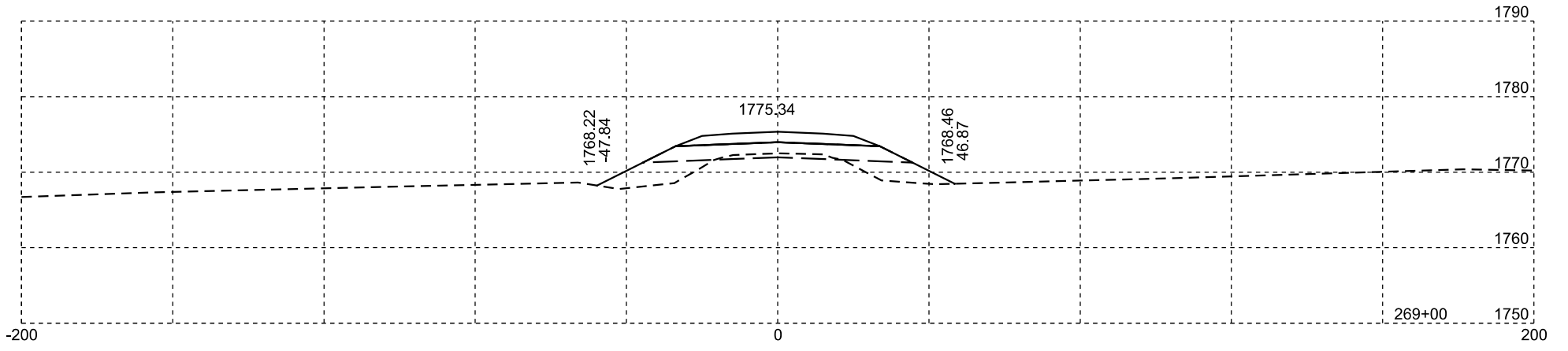
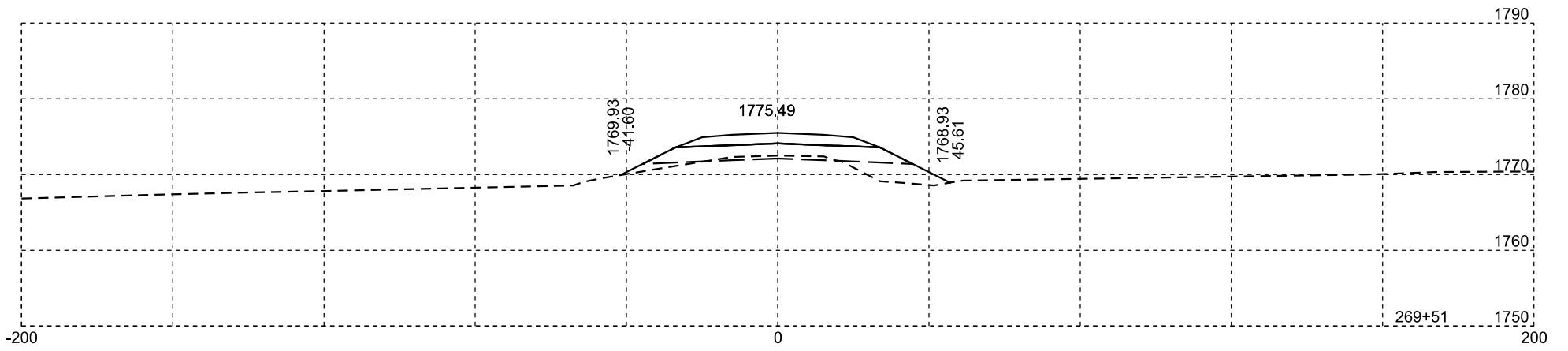
Plotting Date: 10/23/2024

STATE OF SOUTH DAKOTA	PROJECT	SHEET NO.	TOTAL SHEETS
	PH 0028(36)355	X56	X134



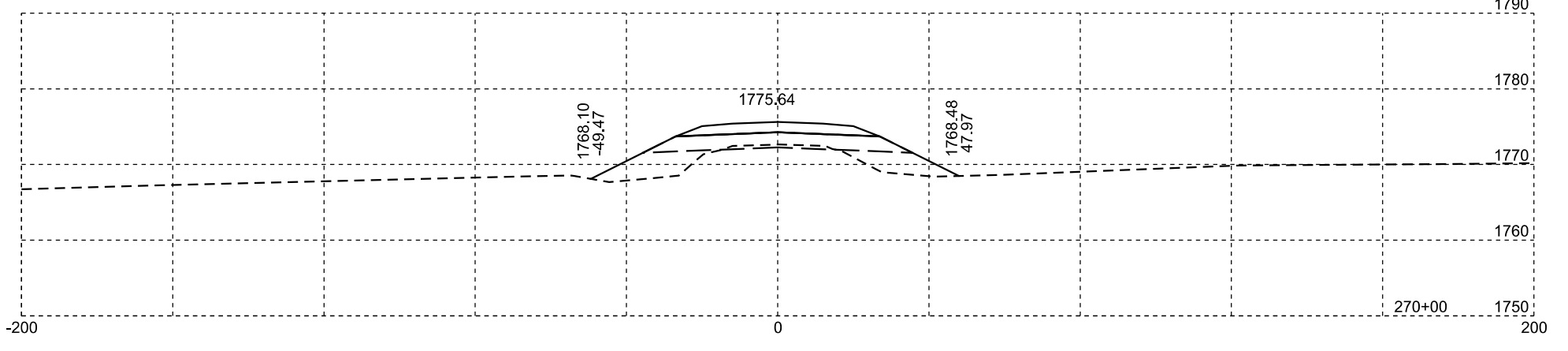
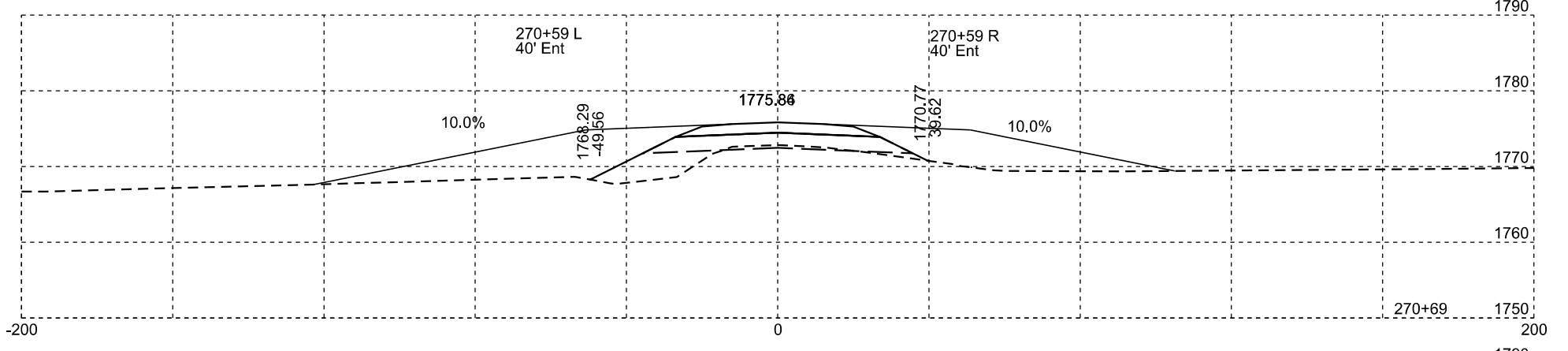
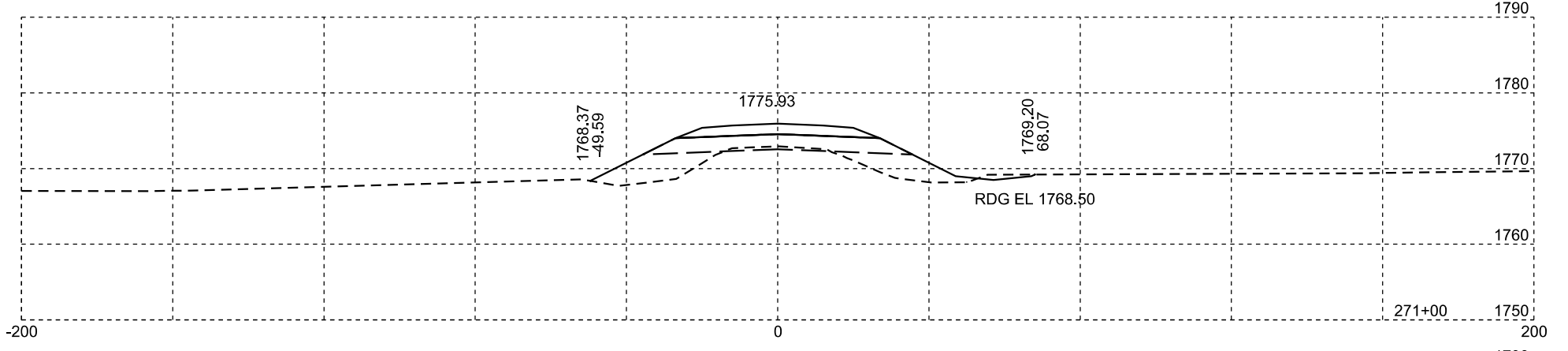
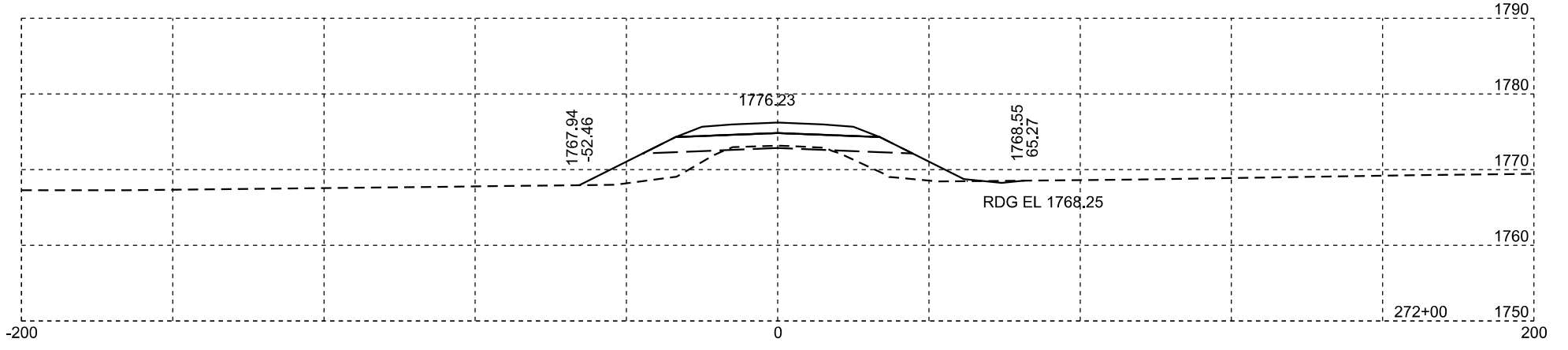
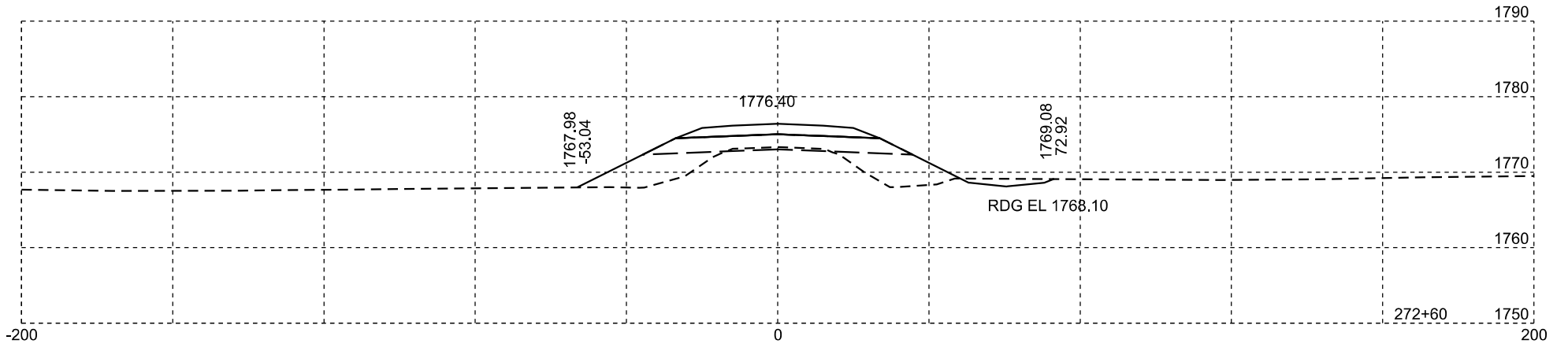
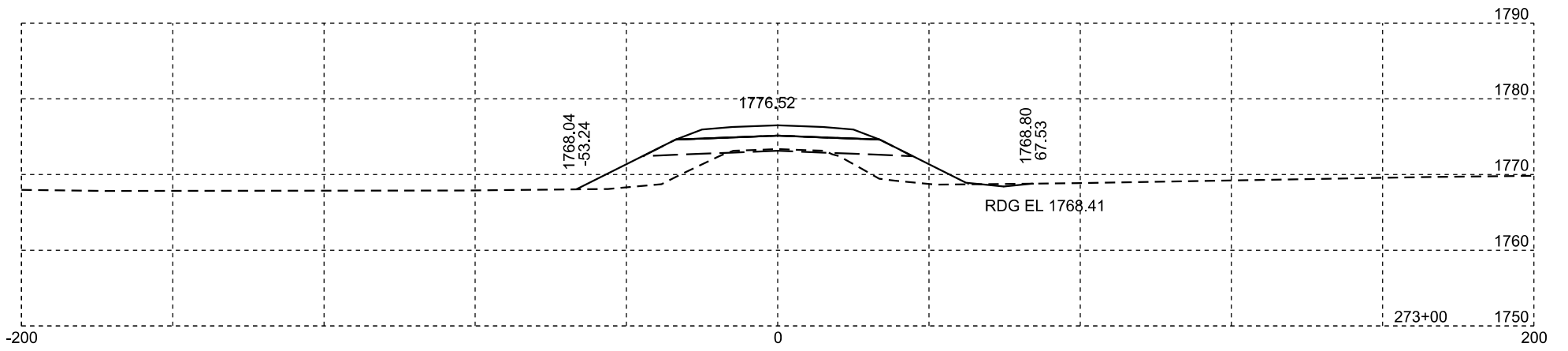
Plotting Date: 10/23/2024

STATE OF SOUTH DAKOTA	PROJECT	SHEET NO.	TOTAL SHEETS
	PH 0028(36)355	X57	X134



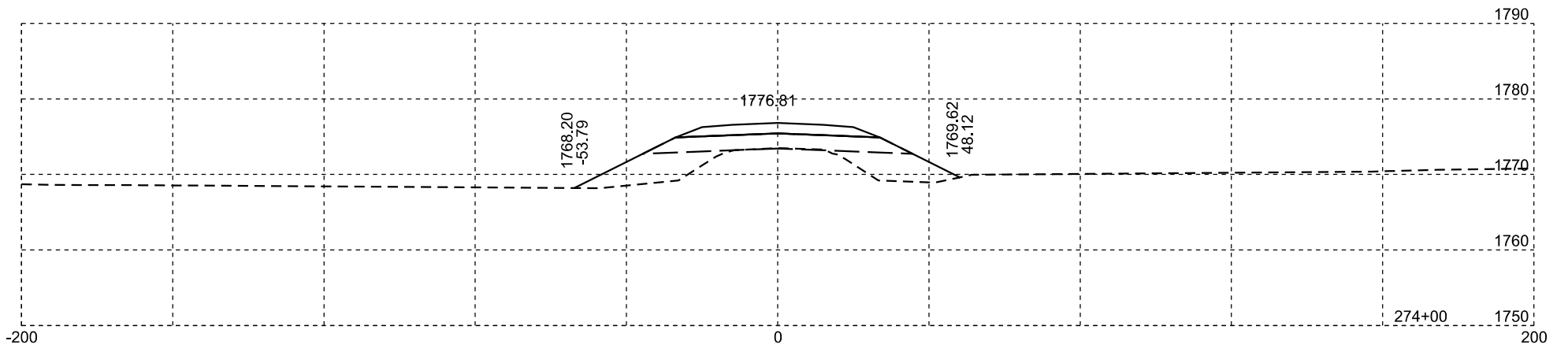
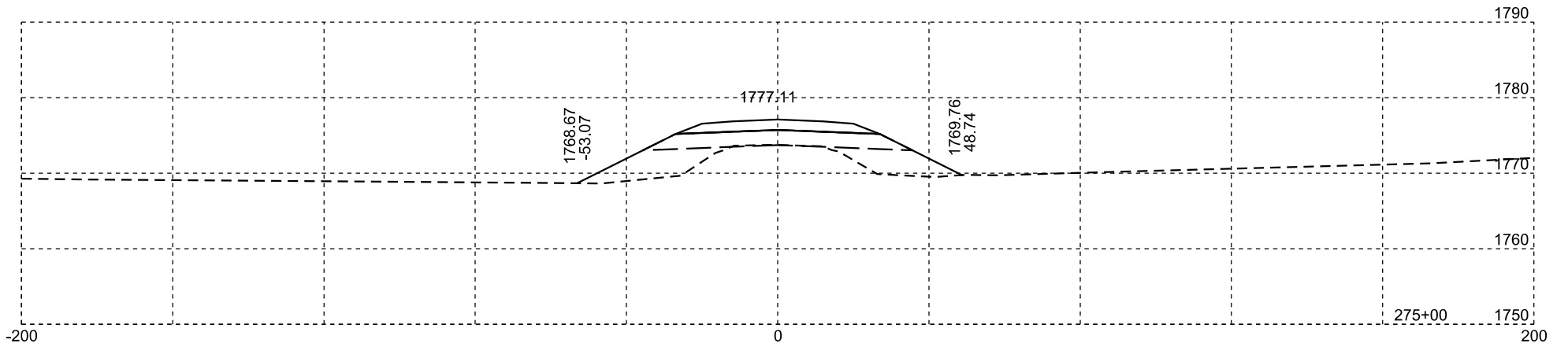
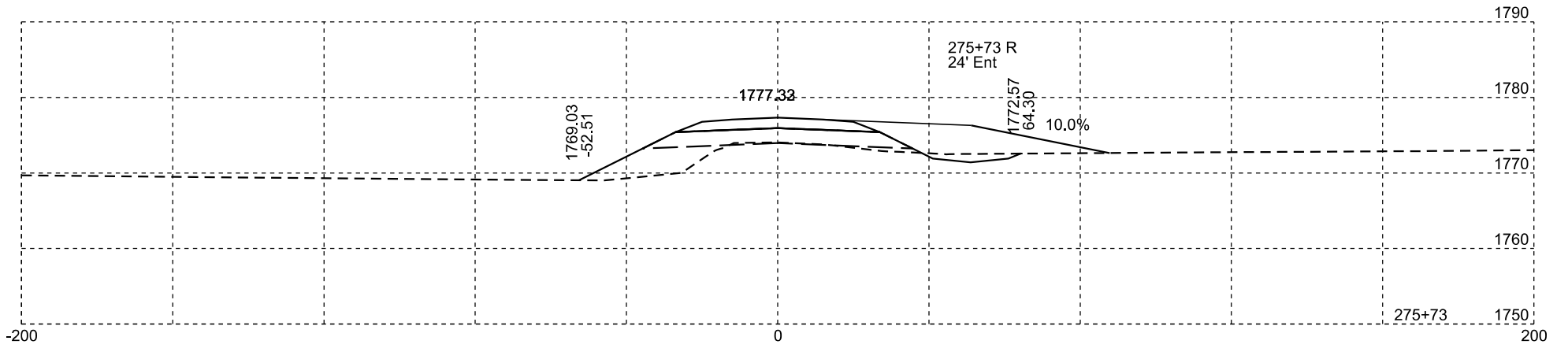
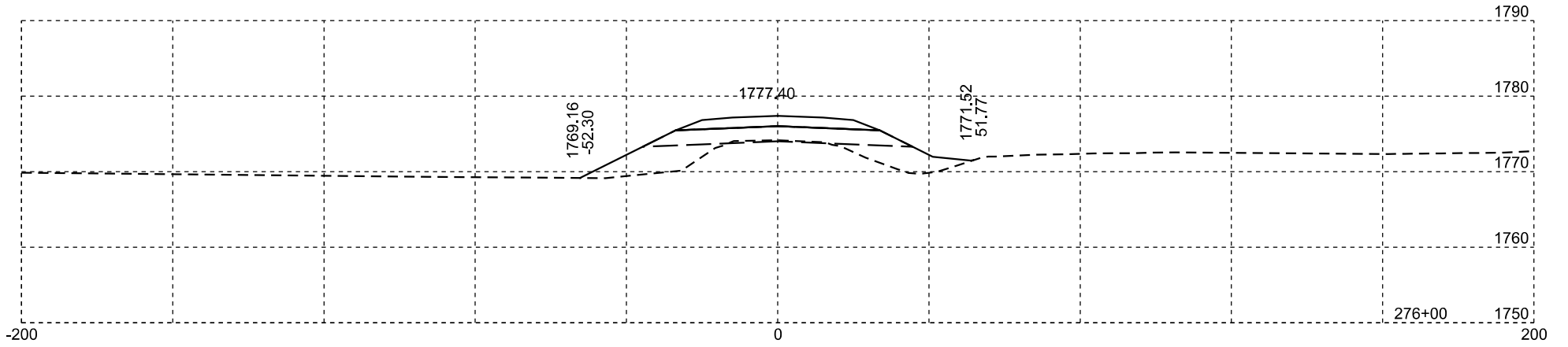
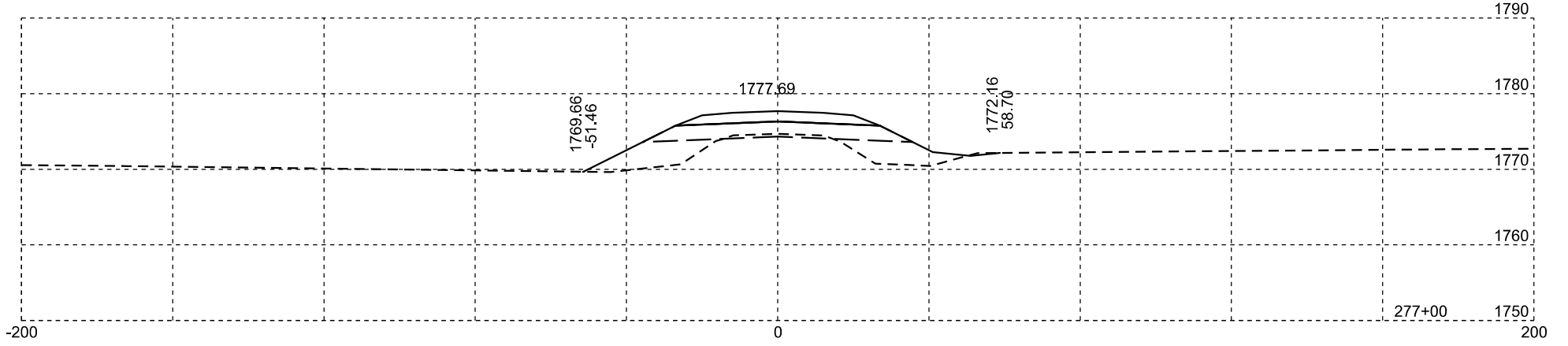
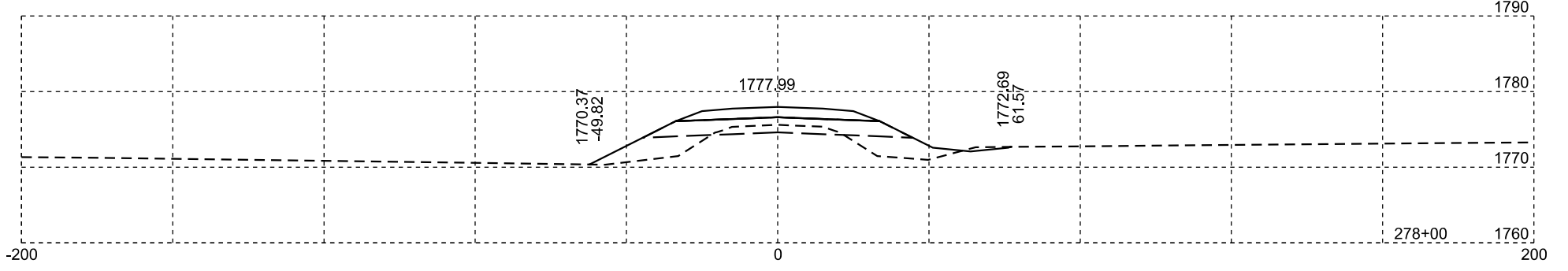
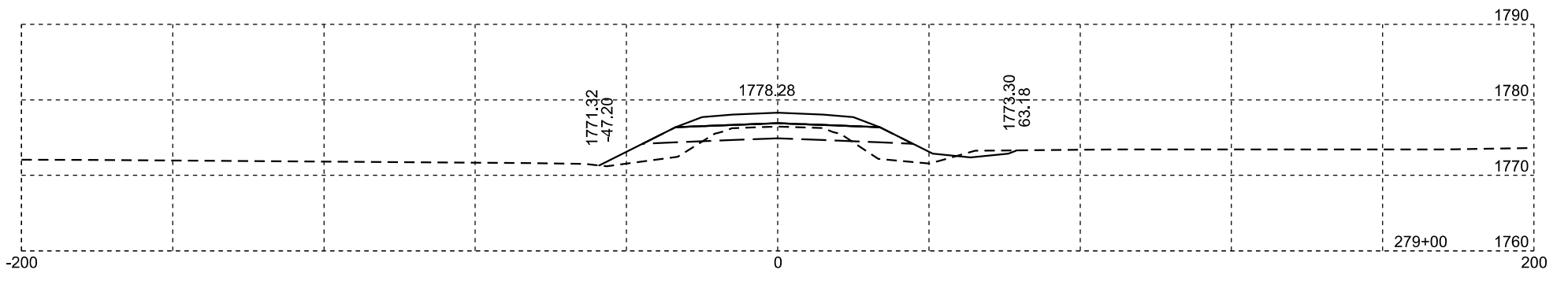
Plotting Date: 10/23/2024

STATE OF SOUTH DAKOTA	PROJECT	SHEET NO.	TOTAL SHEETS
	PH 0028(36)355	X58	X134



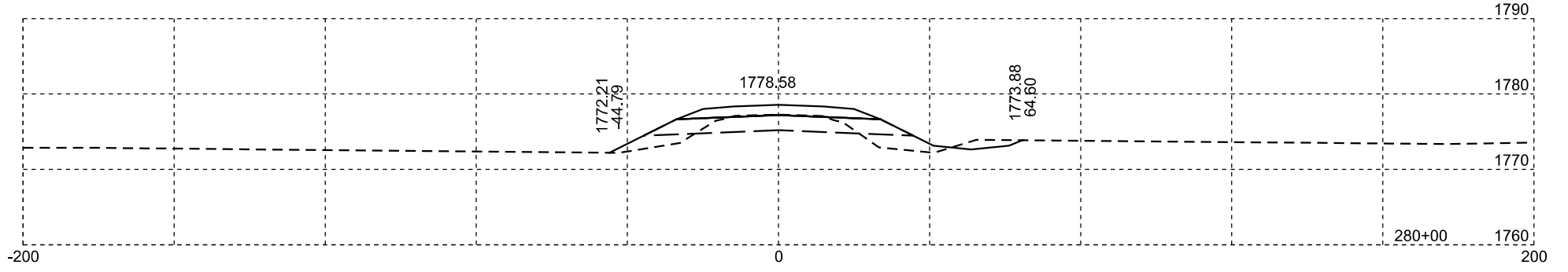
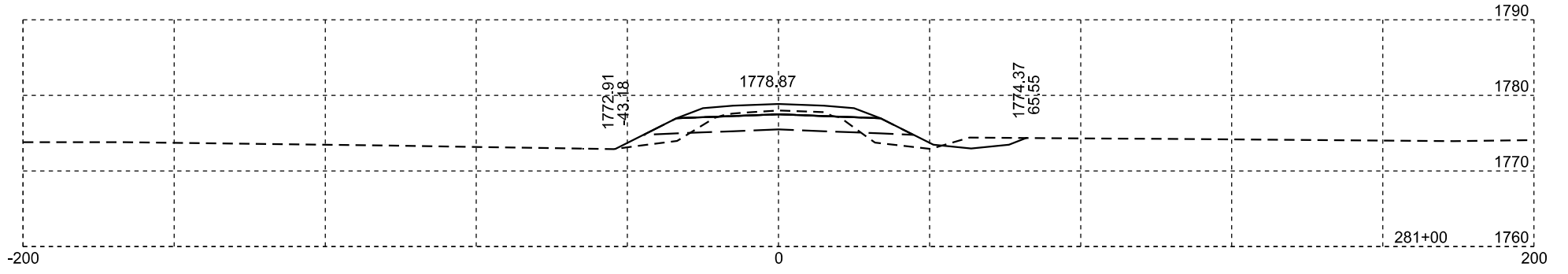
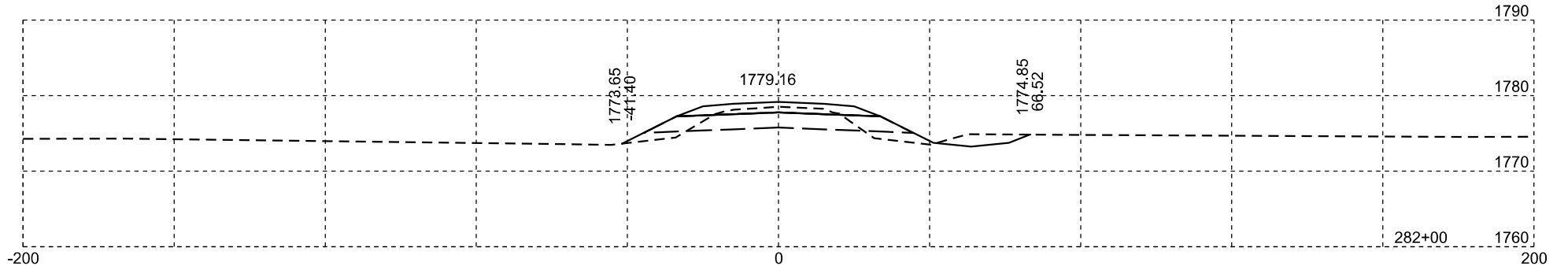
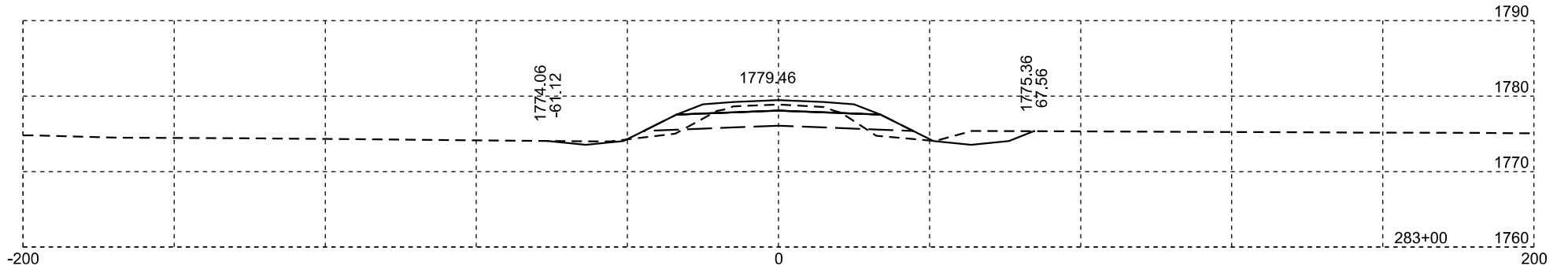
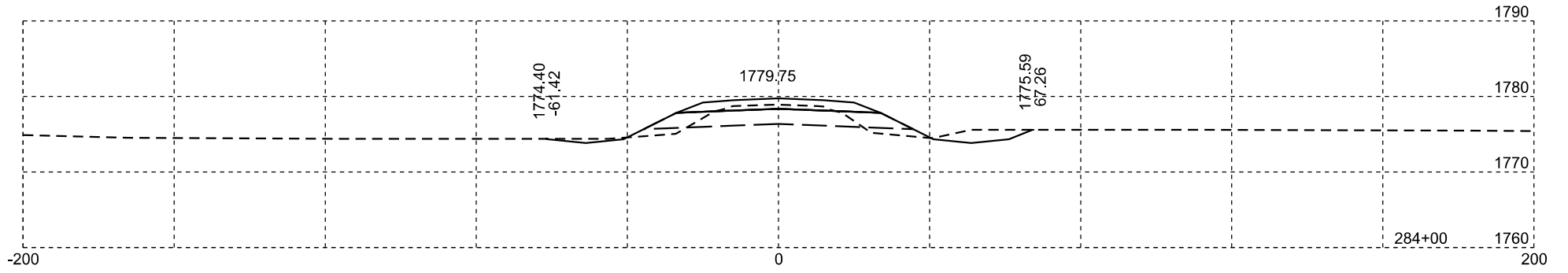
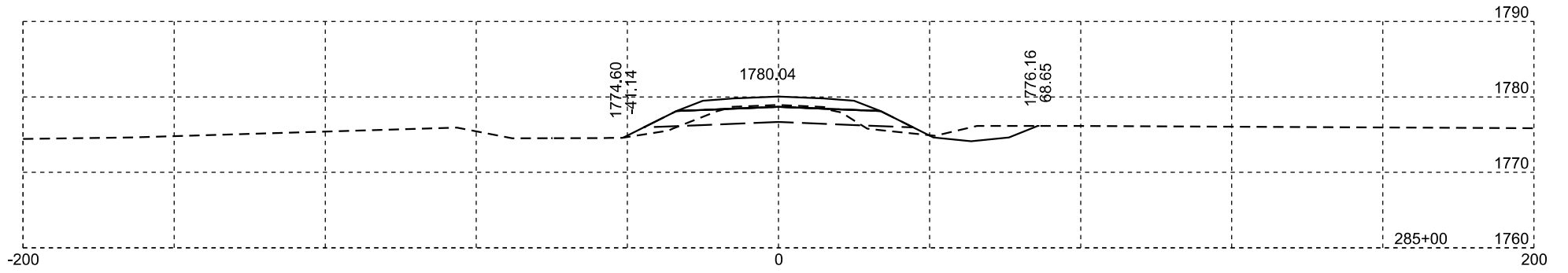
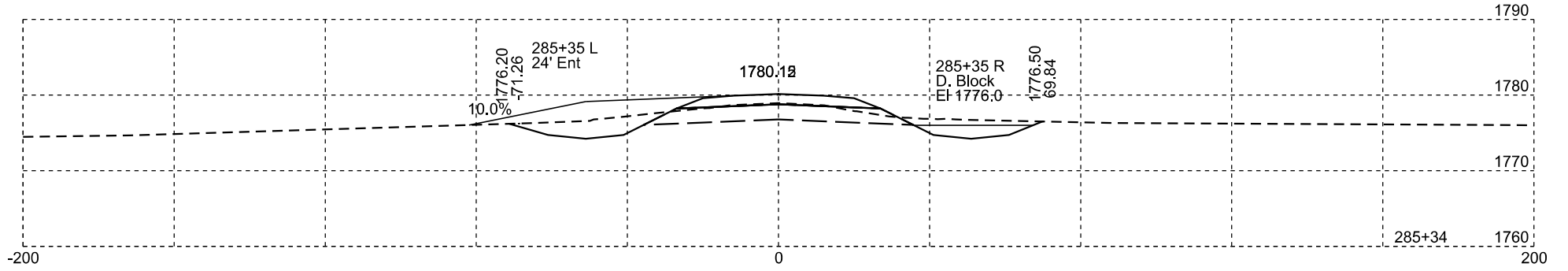
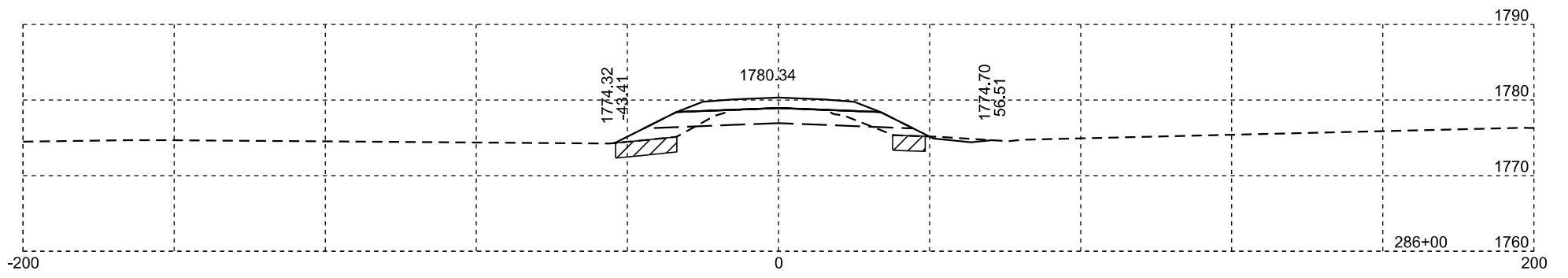
Plotting Date: 10/23/2024

STATE OF SOUTH DAKOTA	PROJECT	SHEET NO.	TOTAL SHEETS
	PH 0028(36)355	X59	X134



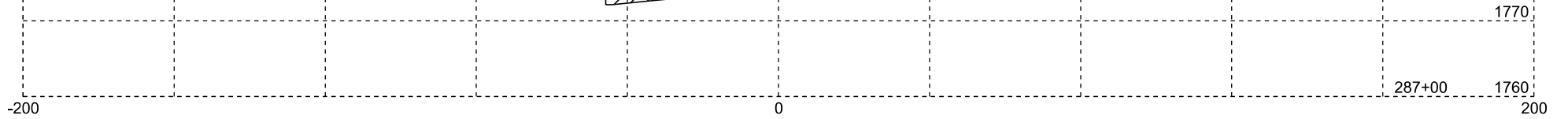
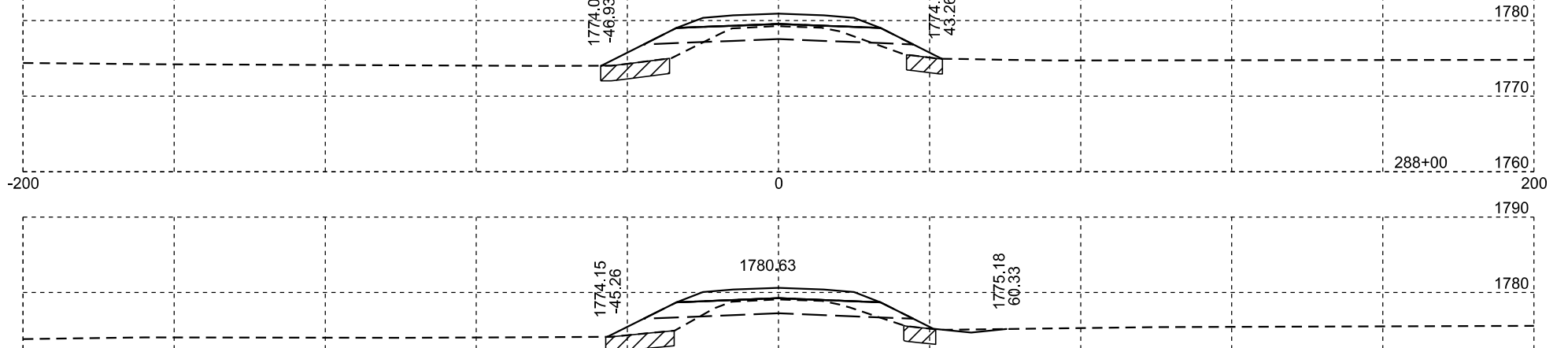
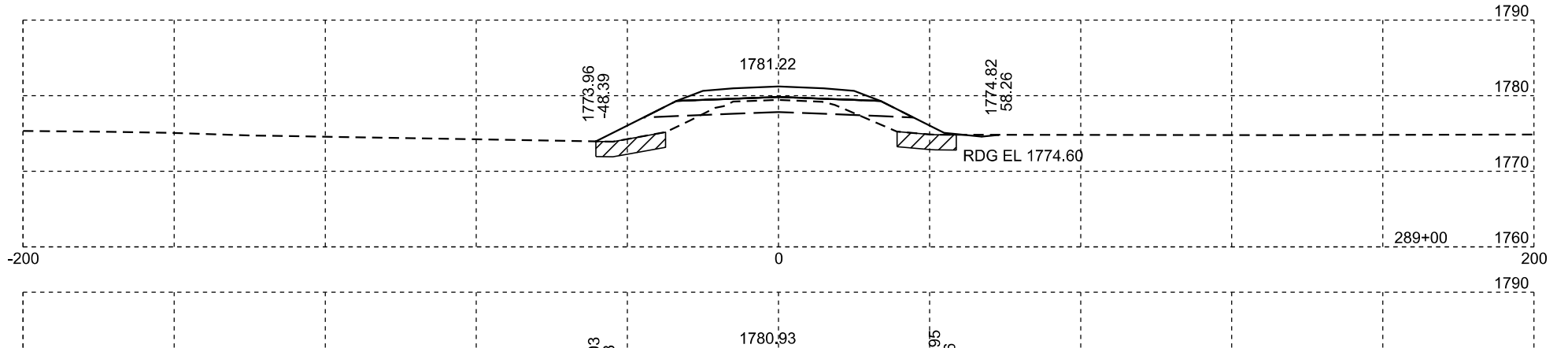
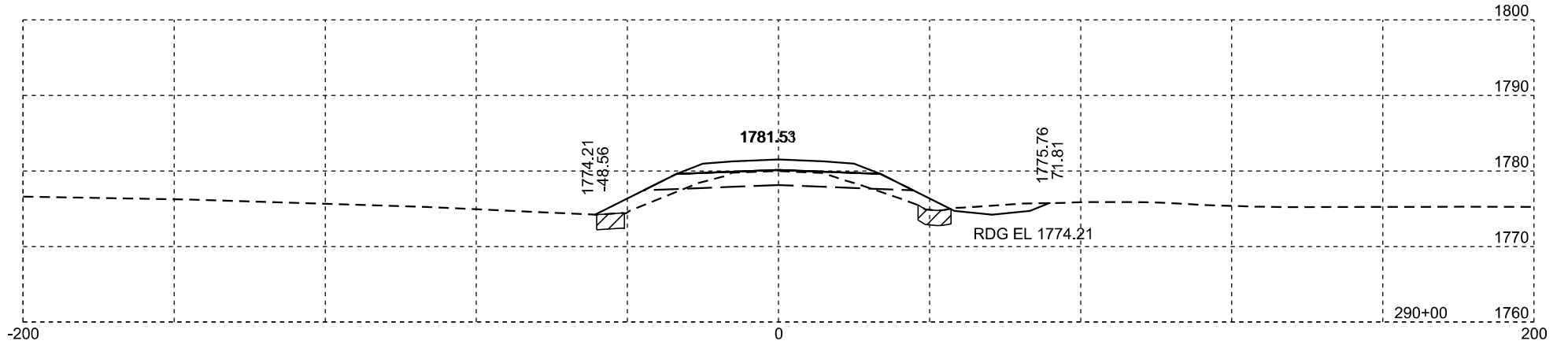
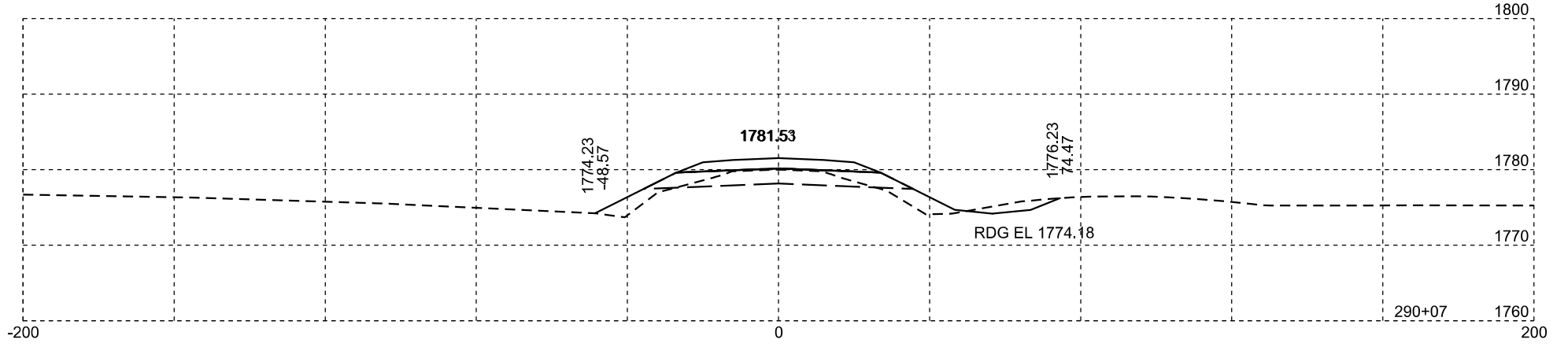
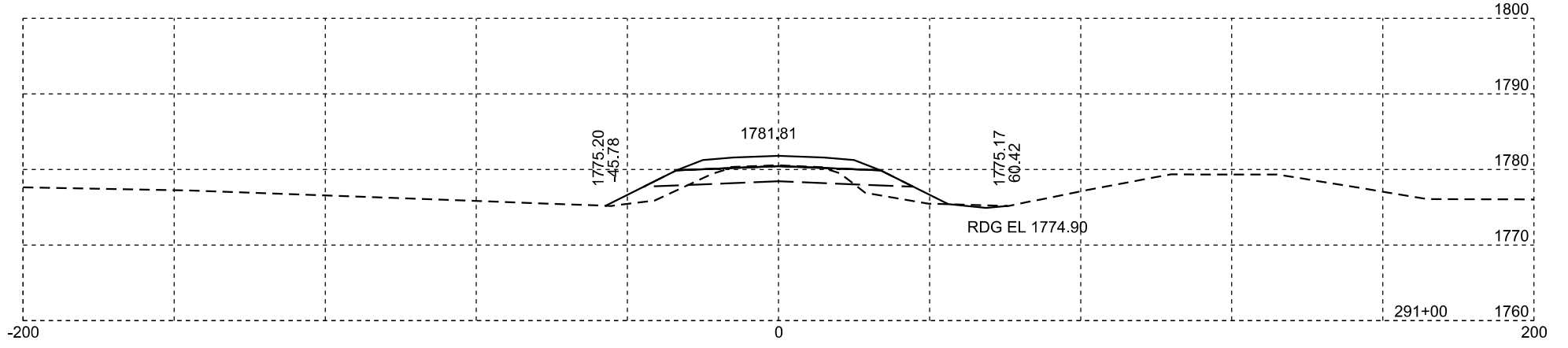
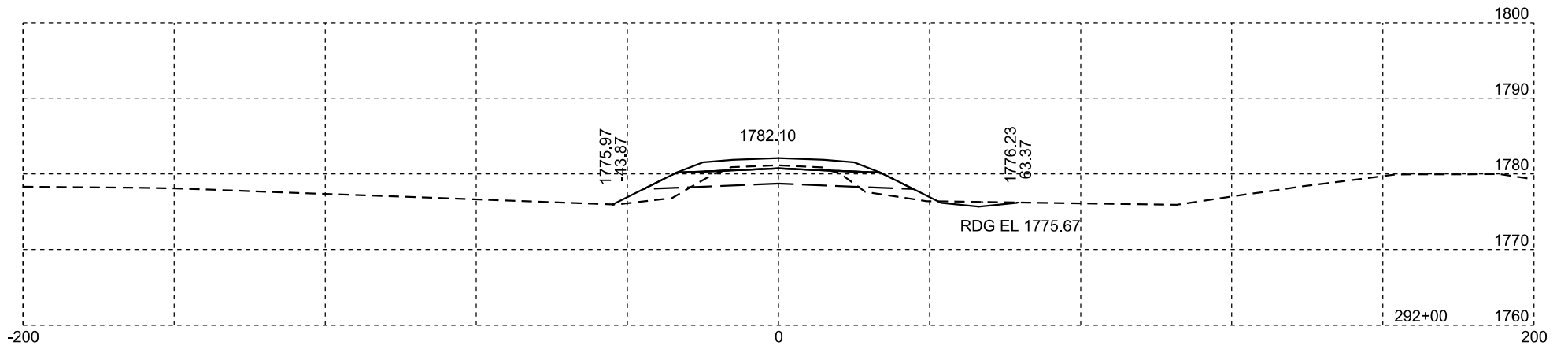
Plotting Date: 10/23/2024

STATE OF SOUTH DAKOTA	PROJECT	SHEET NO.	TOTAL SHEETS
	PH 0028(36)355	X60	X134



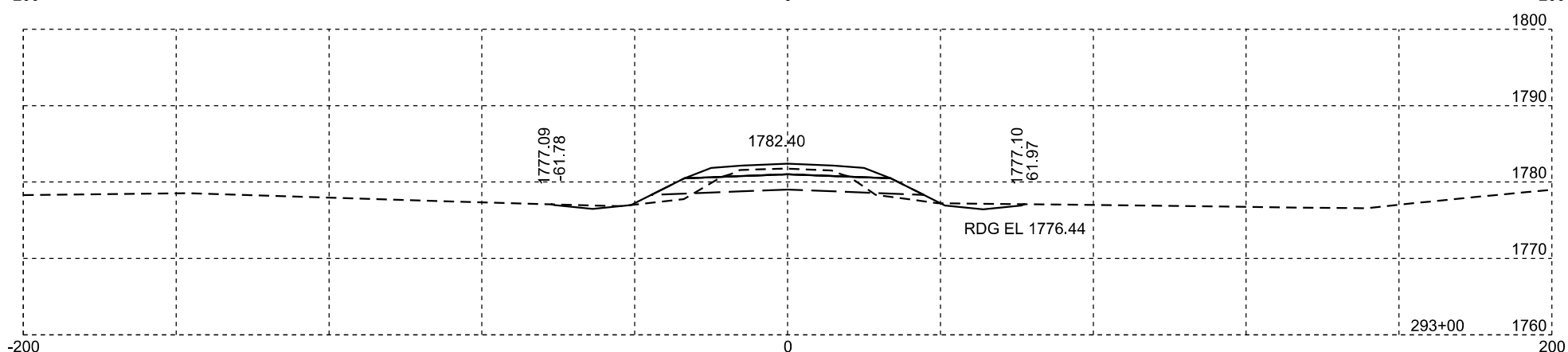
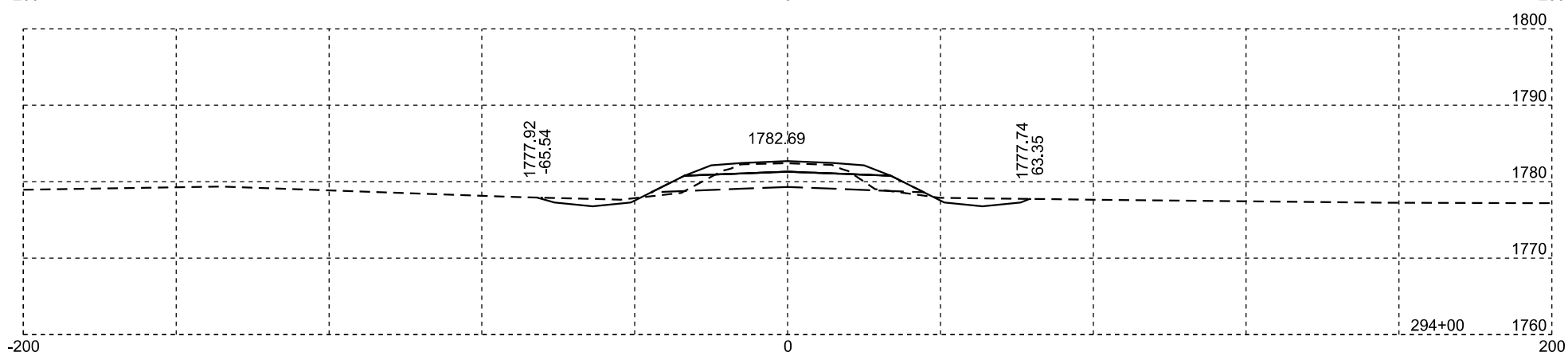
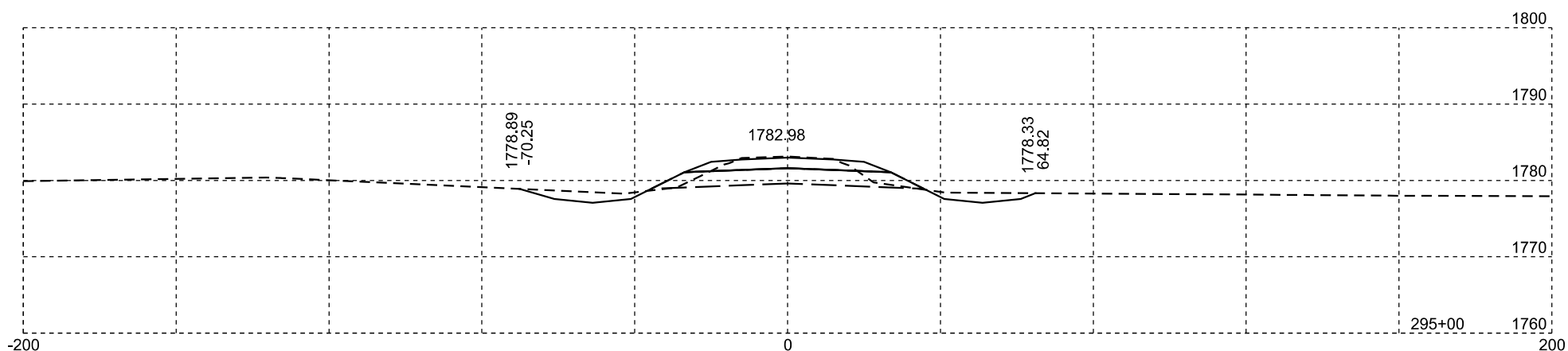
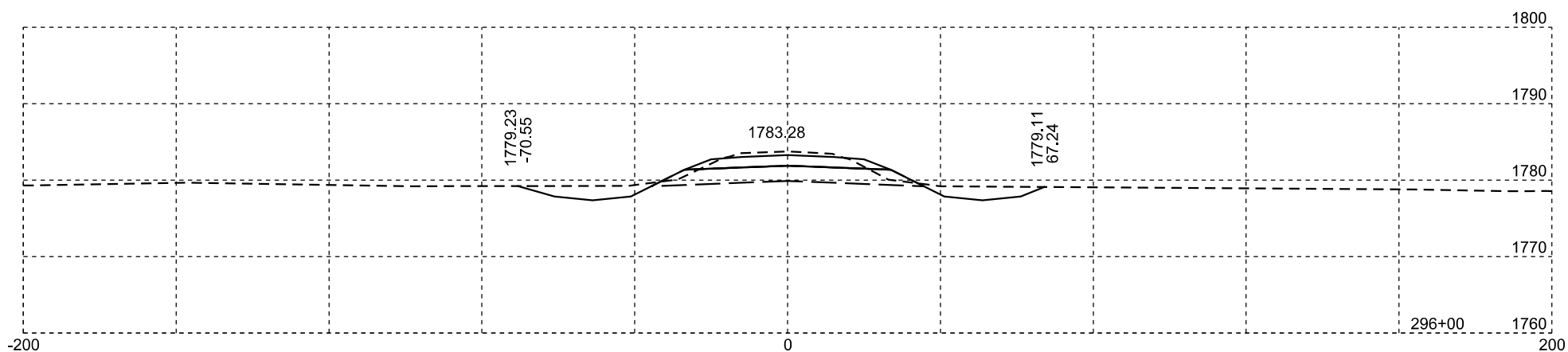
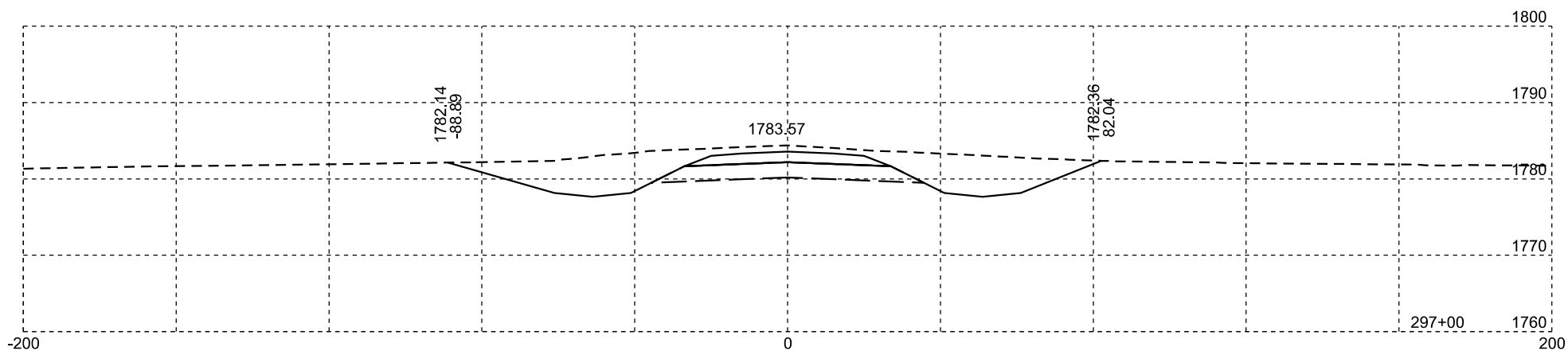
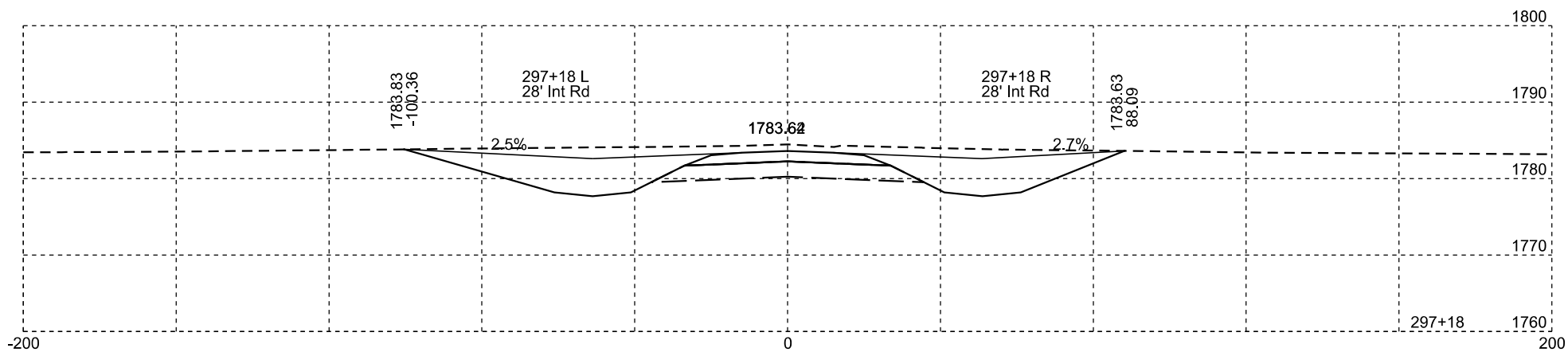
Plotting Date: 10/23/2024

STATE OF SOUTH DAKOTA	PROJECT	SHEET NO.	TOTAL SHEETS
	PH 0028(36)355	X61	X134



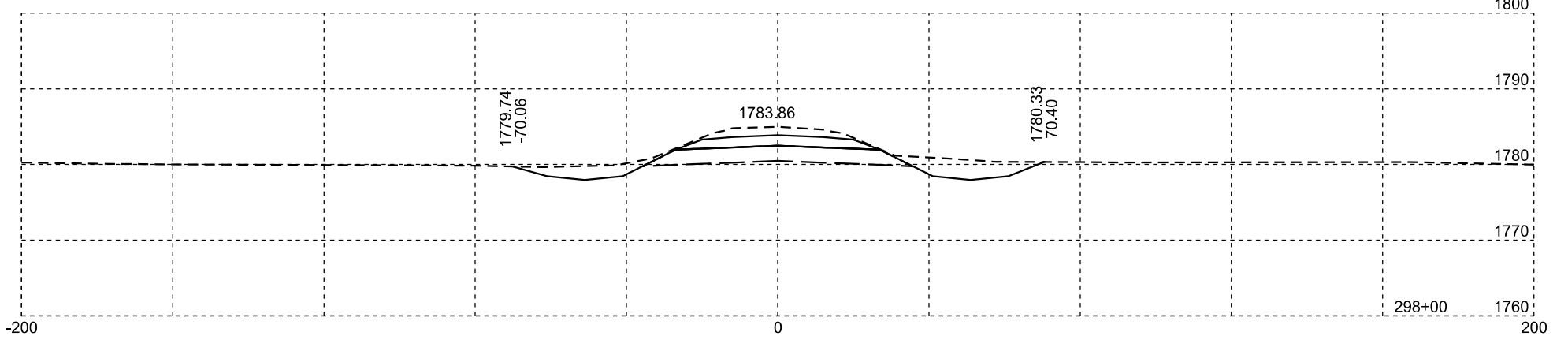
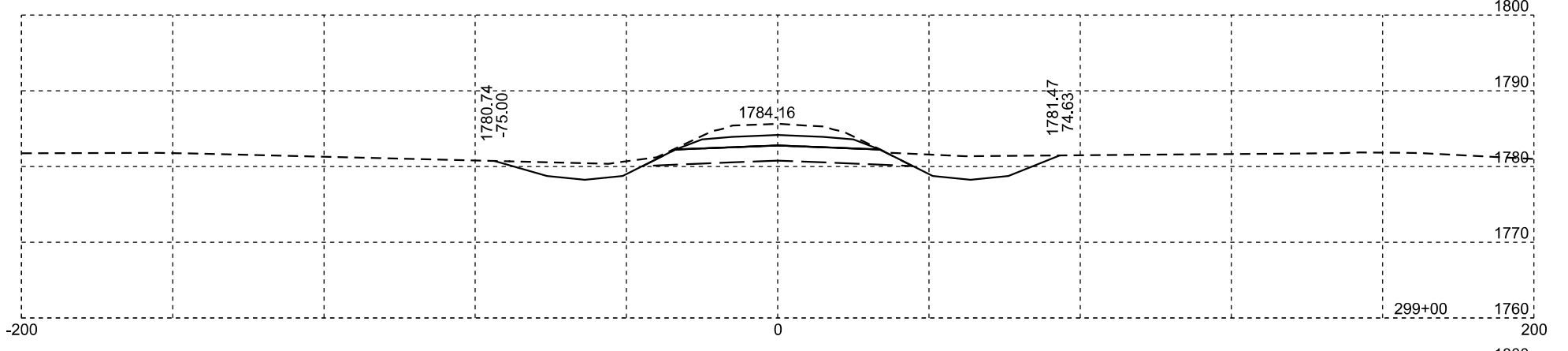
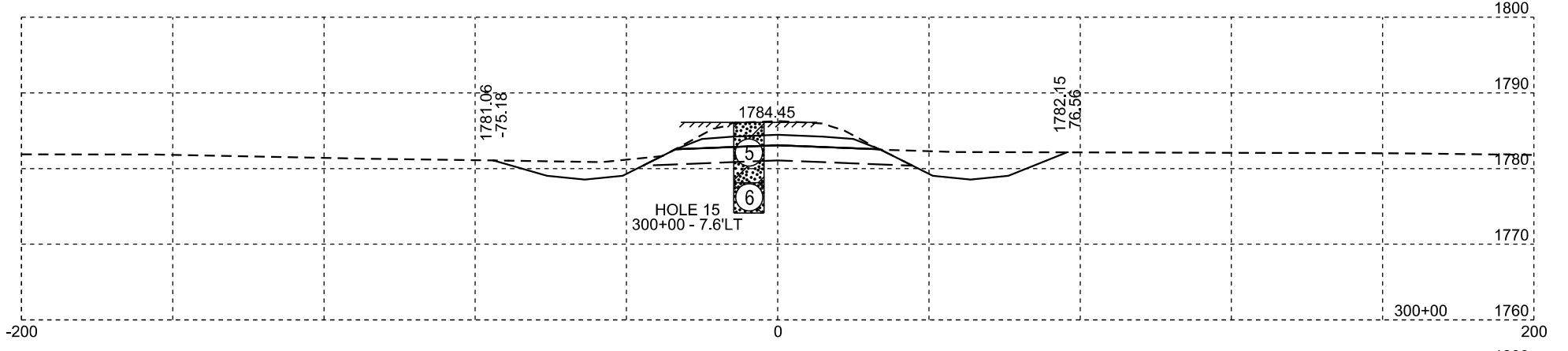
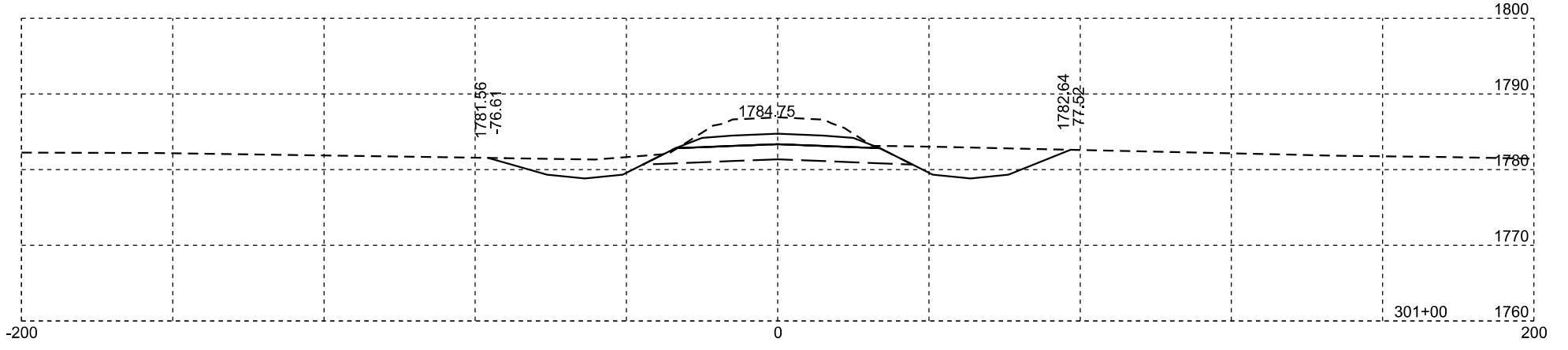
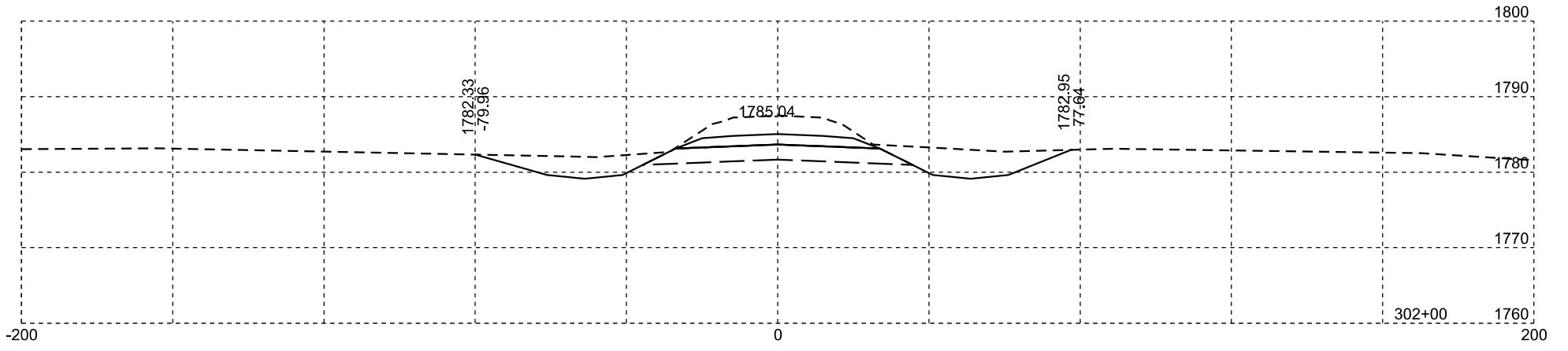
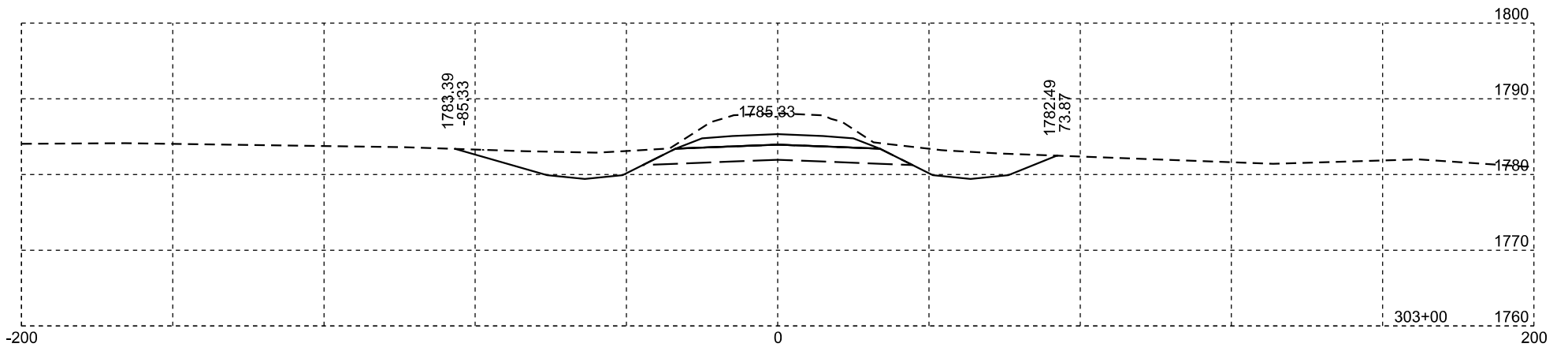
Plotting Date: 10/23/2024

STATE OF SOUTH DAKOTA	PROJECT	SHEET NO.	TOTAL SHEETS
	PH 0028(36)355	X62	X134



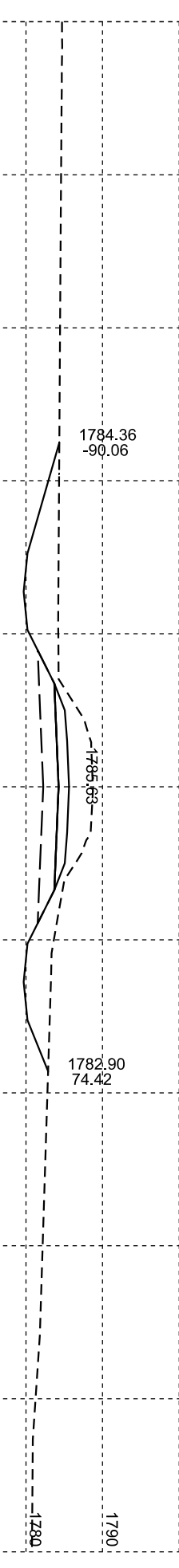
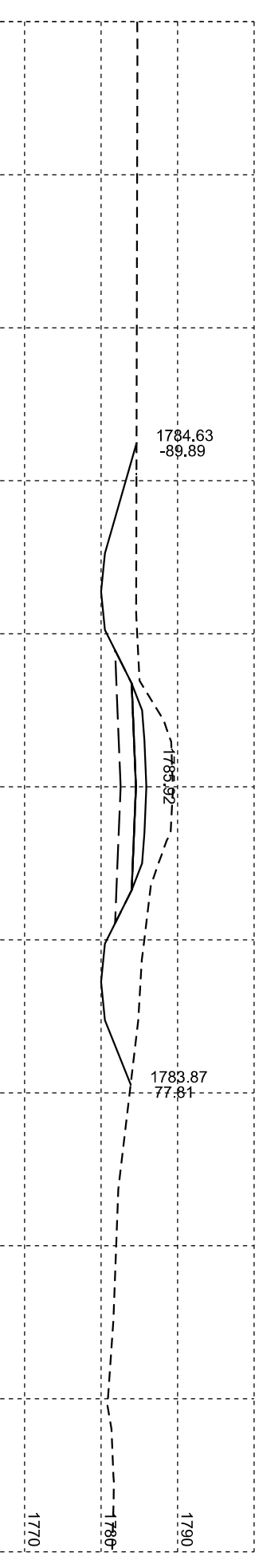
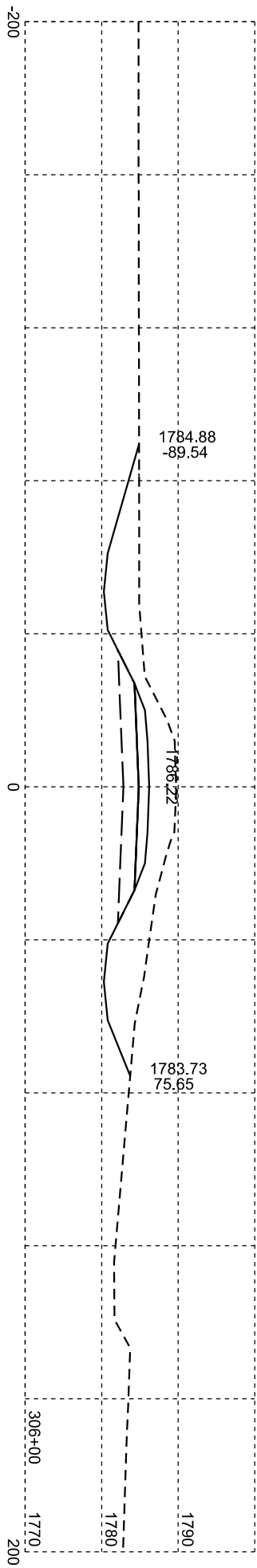
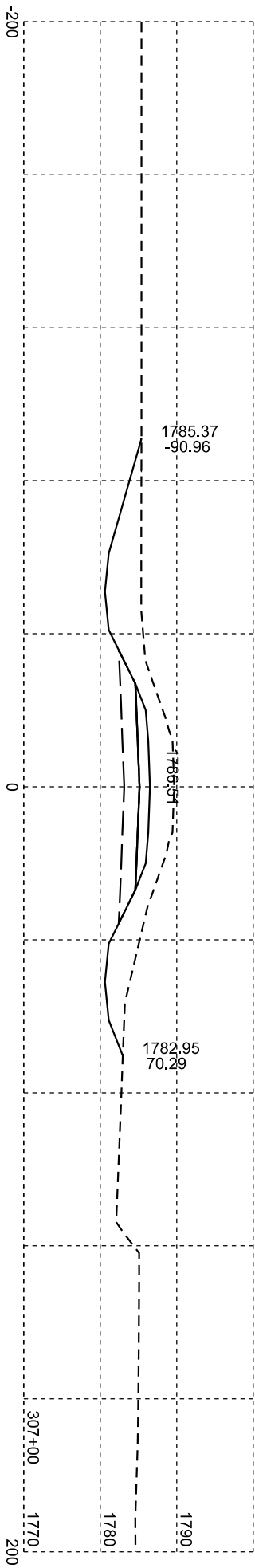
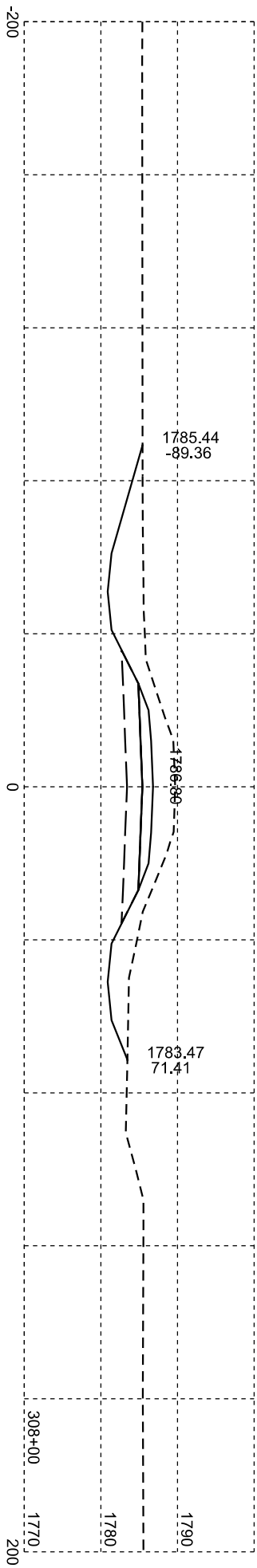
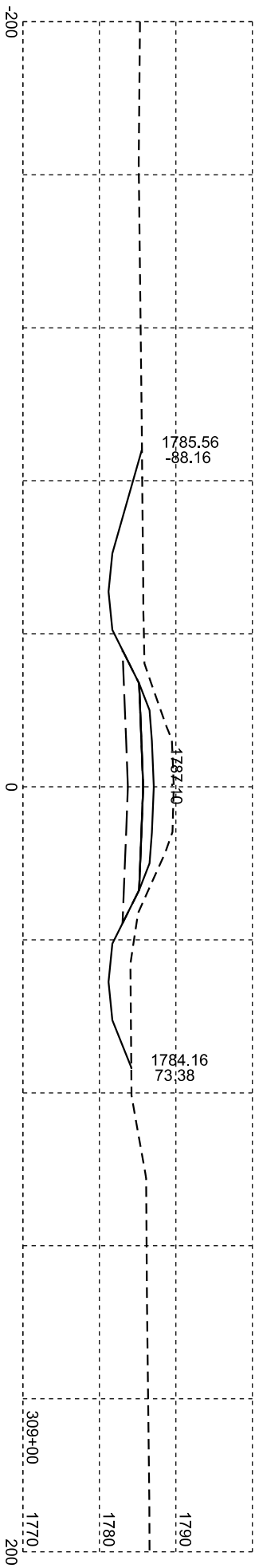
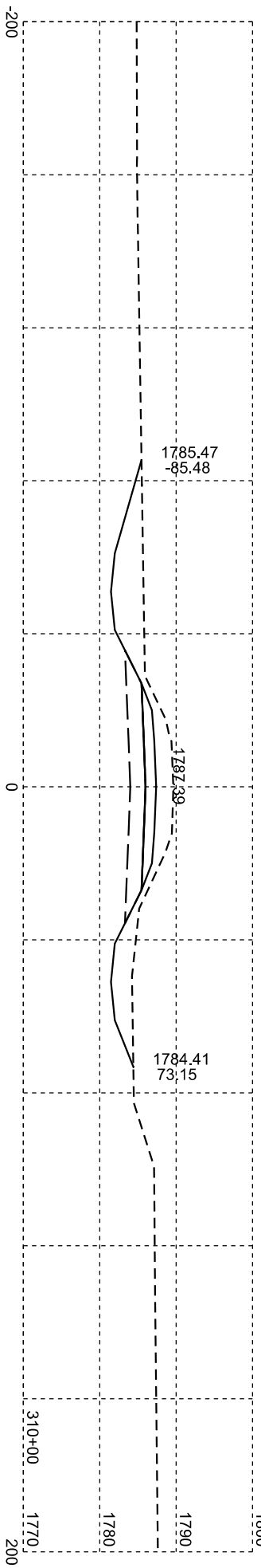
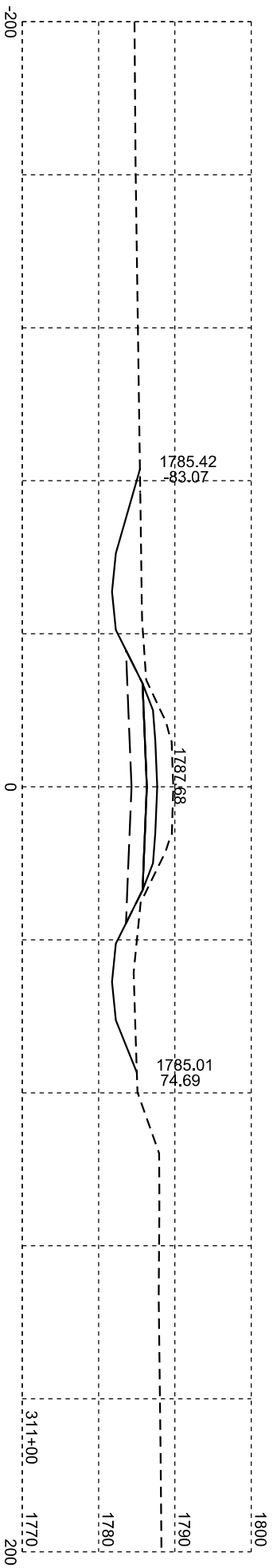
Plotting Date: 10/23/2024

STATE OF SOUTH DAKOTA	PROJECT	SHEET NO.	TOTAL SHEETS
	PH 0028(36)355	X63	X134



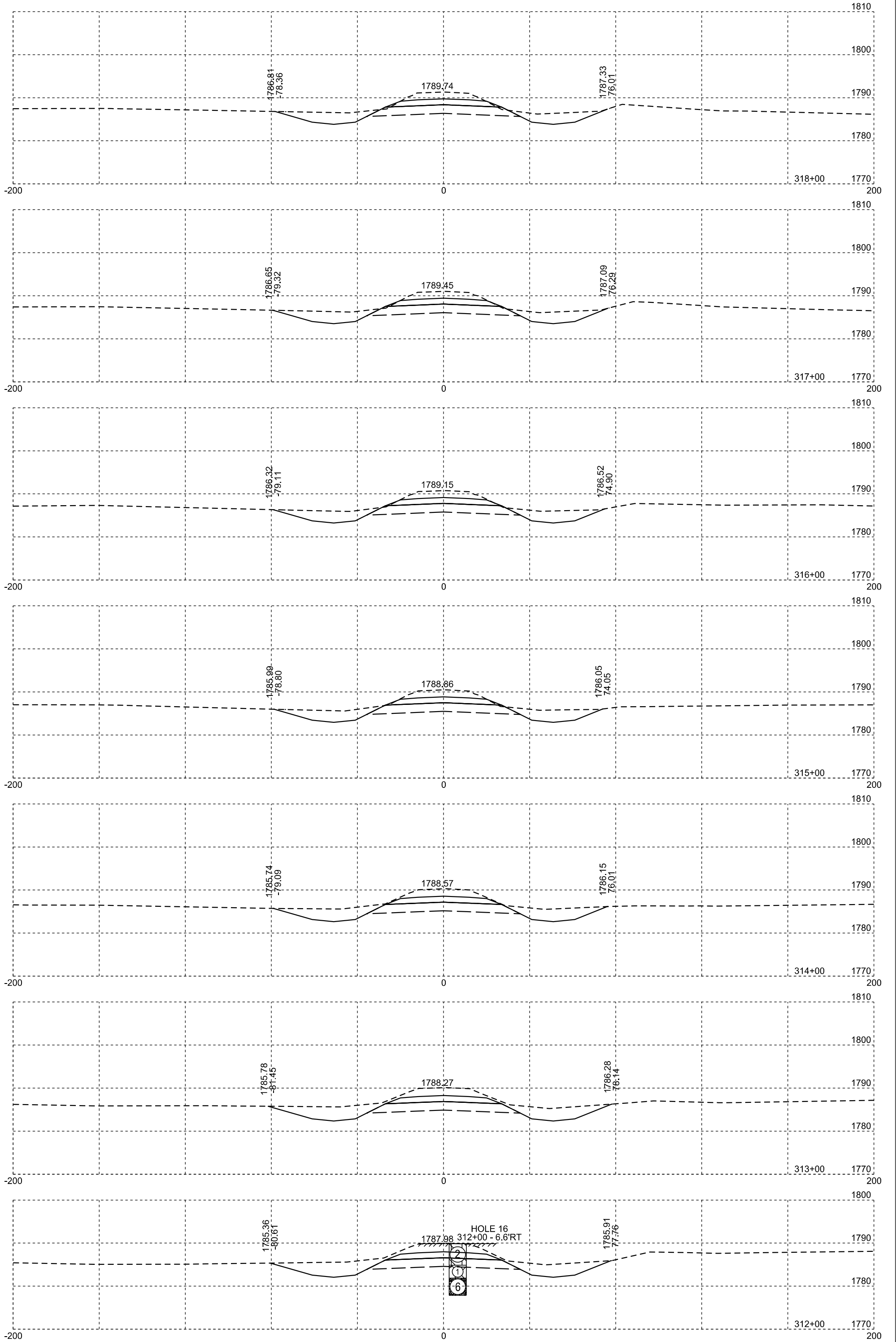
Plotting Date: 10/23/2024

STATE OF SOUTH DAKOTA	PROJECT	SHEET NO.	TOTAL SHEETS
	PH 0028(36)355	X64	X134



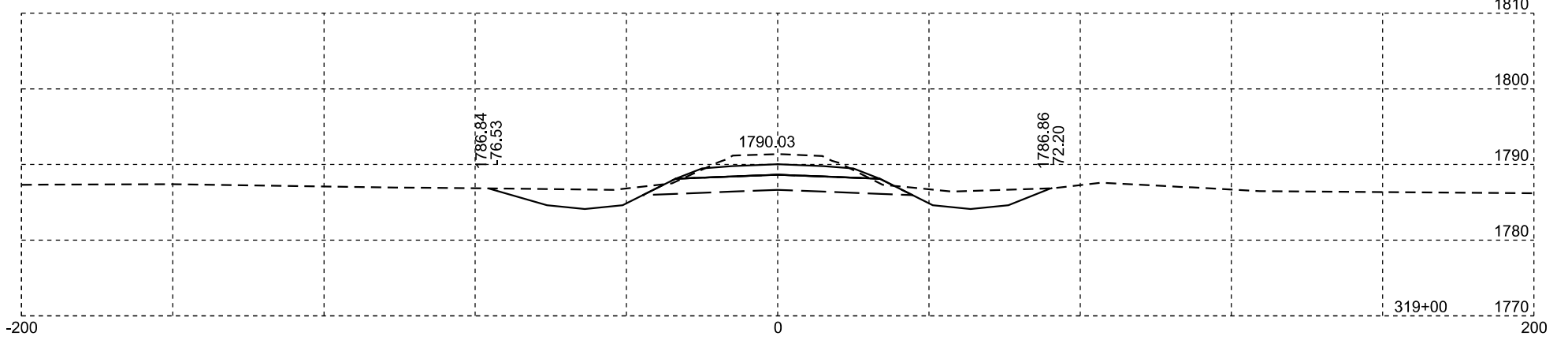
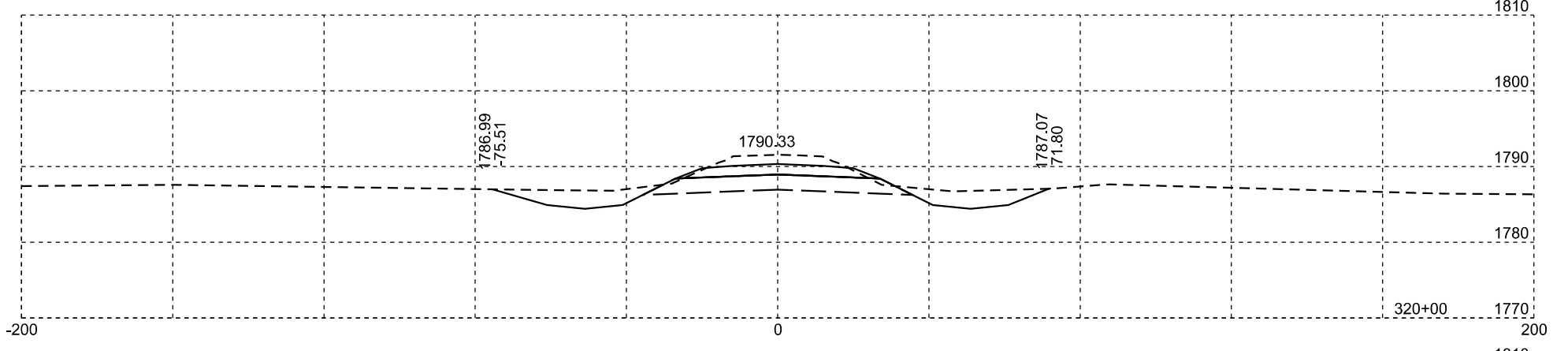
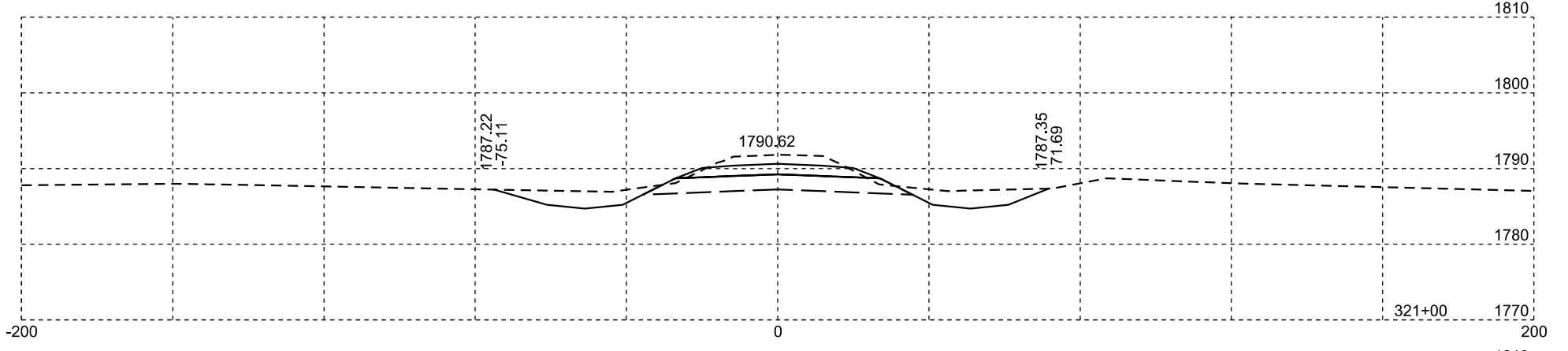
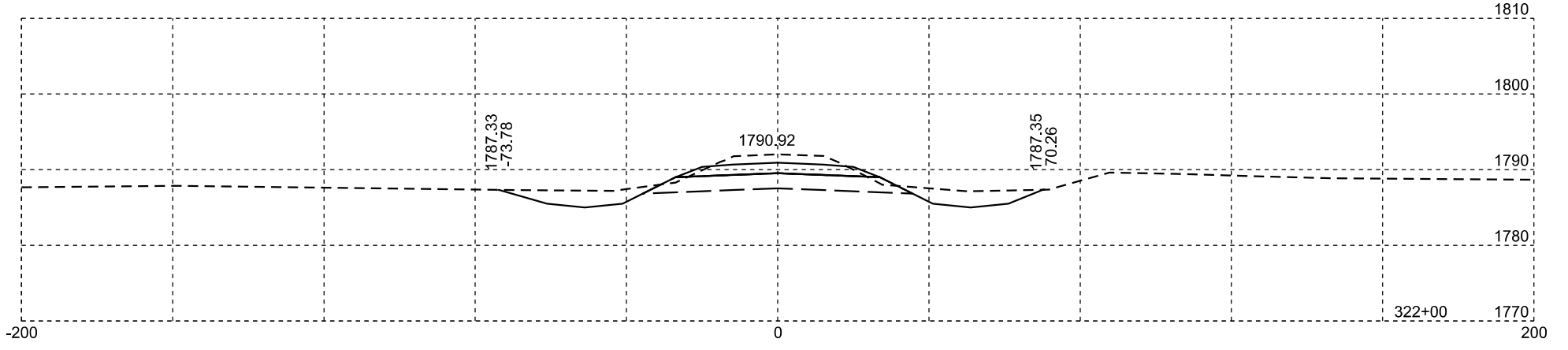
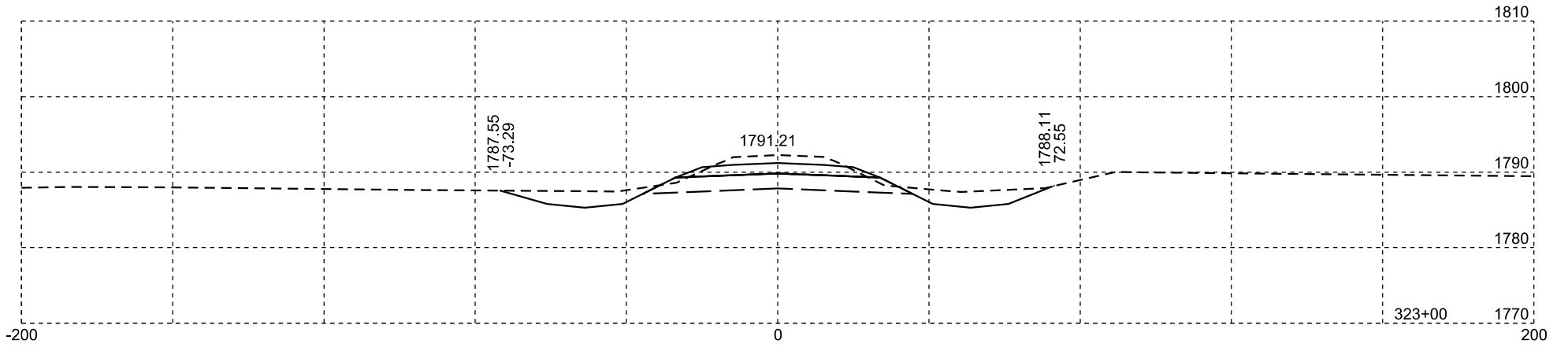
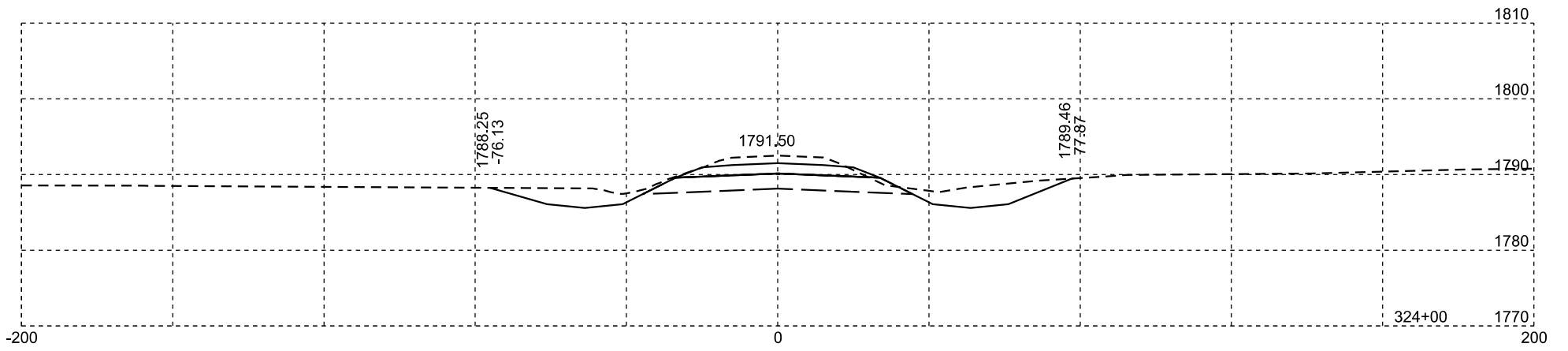
Plotting Date: 10/23/2024

STATE OF SOUTH DAKOTA	PROJECT	SHEET NO.	TOTAL SHEETS
	PH 0028(36)355	X65	X134



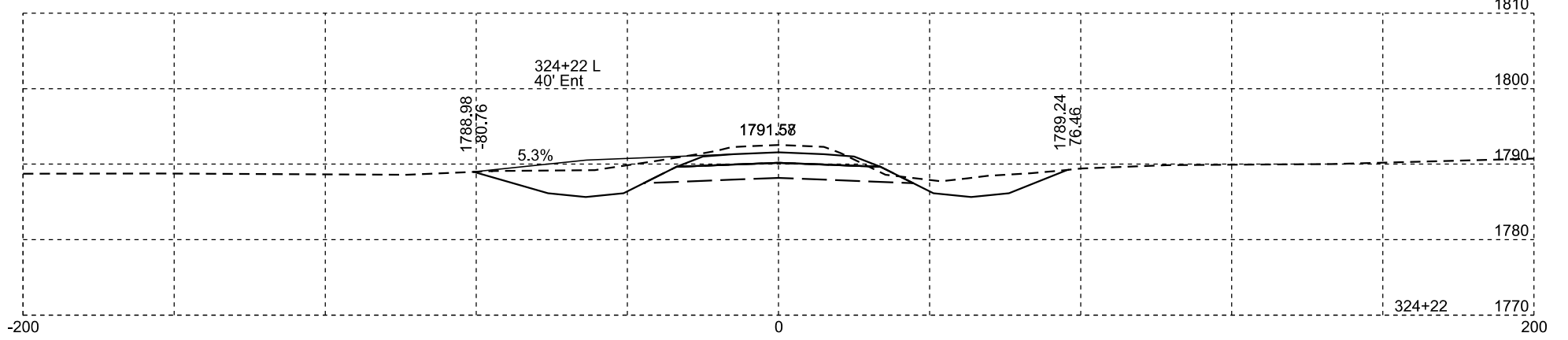
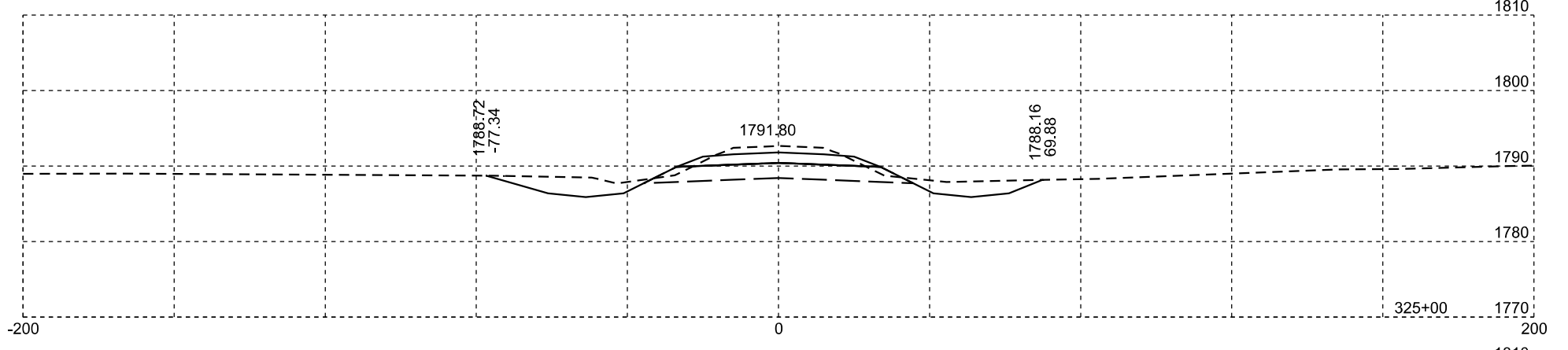
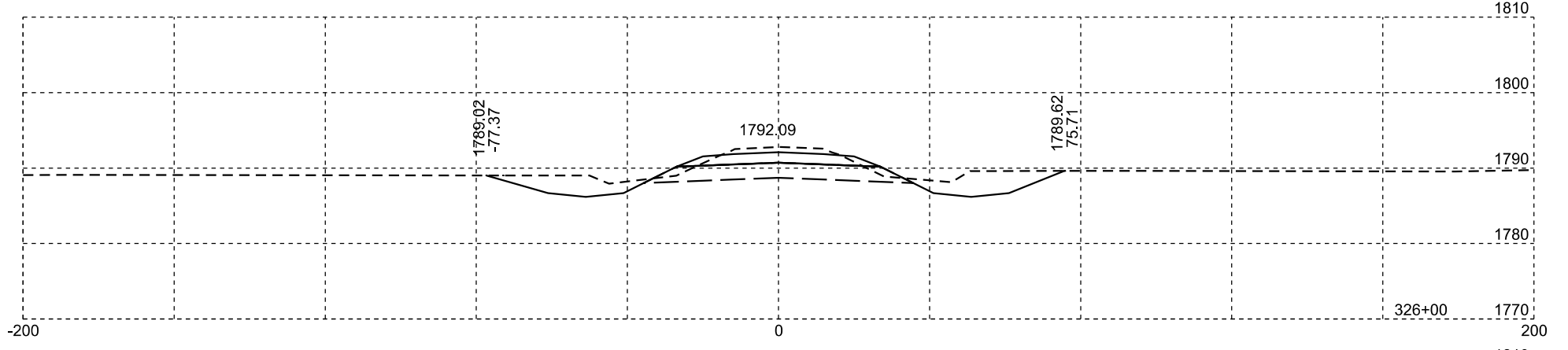
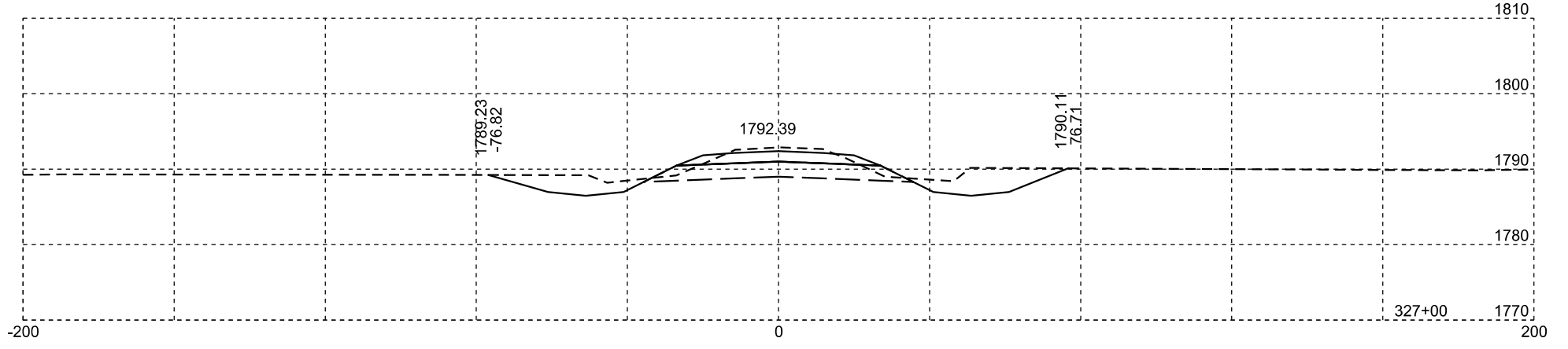
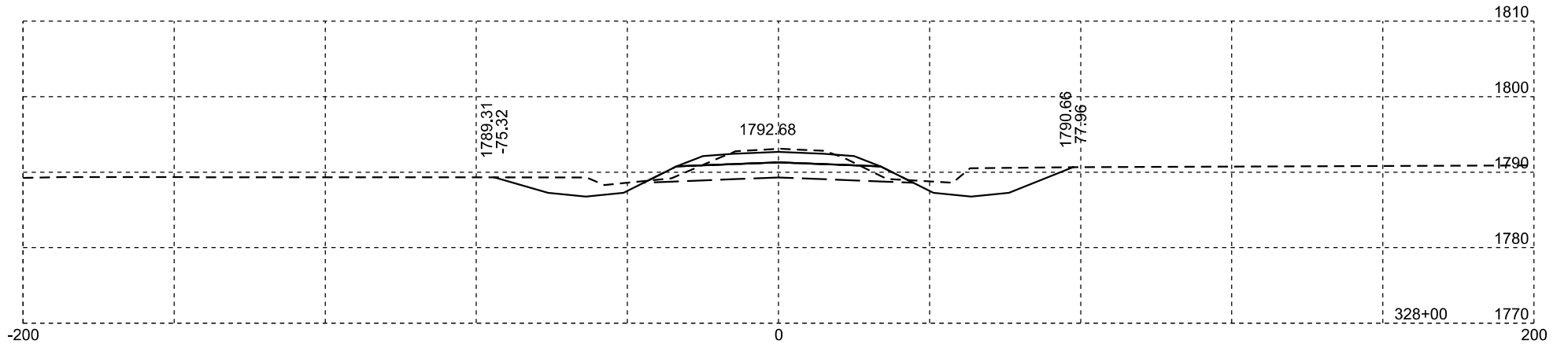
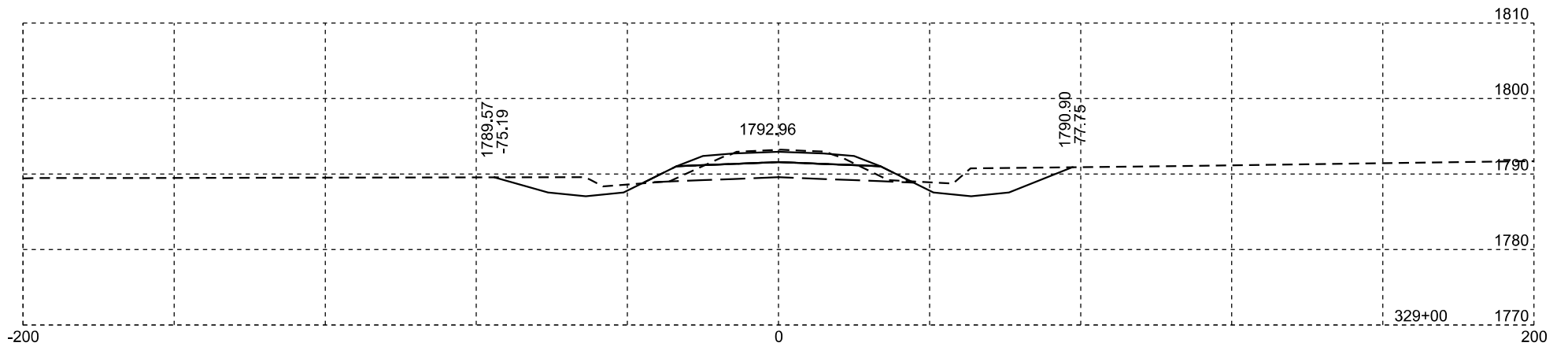
Plotting Date: 10/23/2024

STATE OF SOUTH DAKOTA	PROJECT	SHEET NO.	TOTAL SHEETS
	PH 0028(36)355	X66	X134



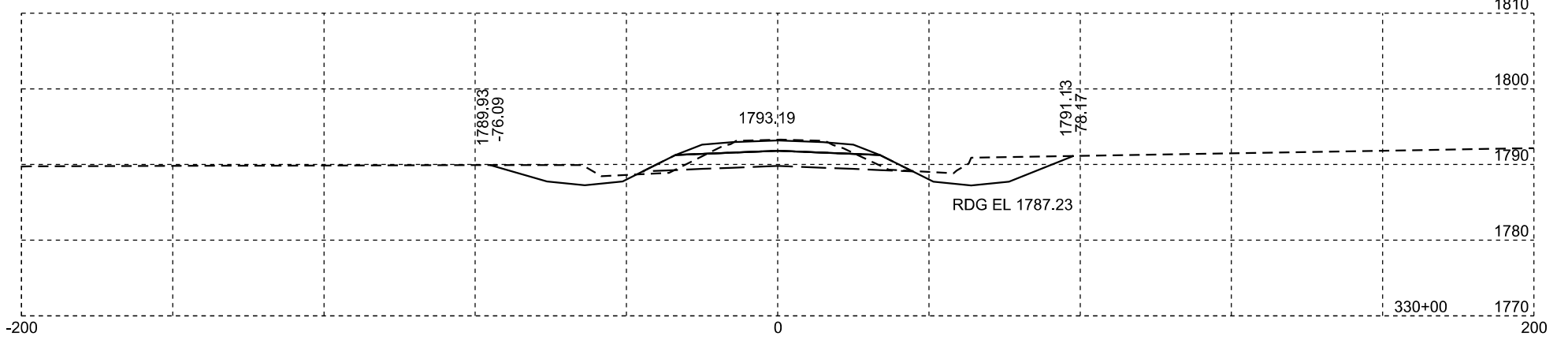
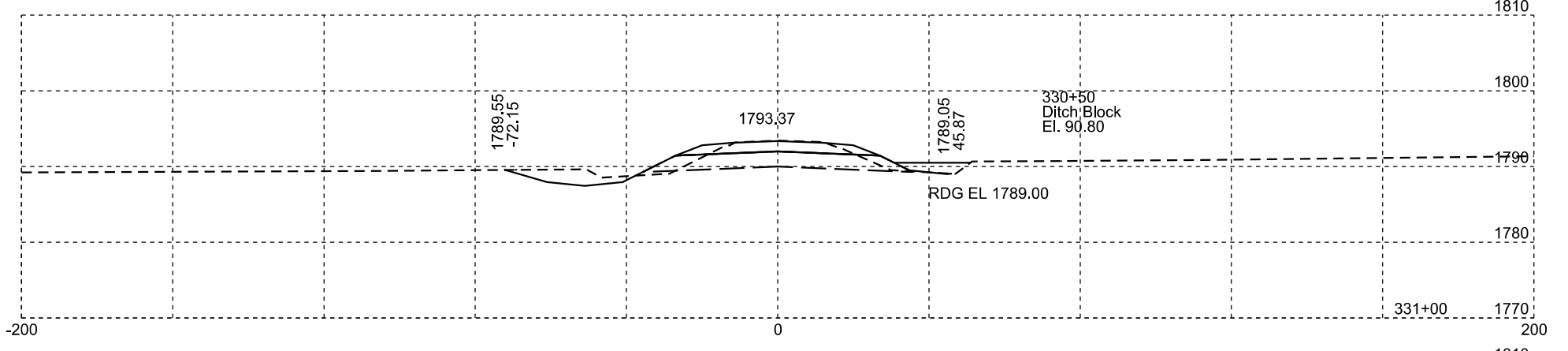
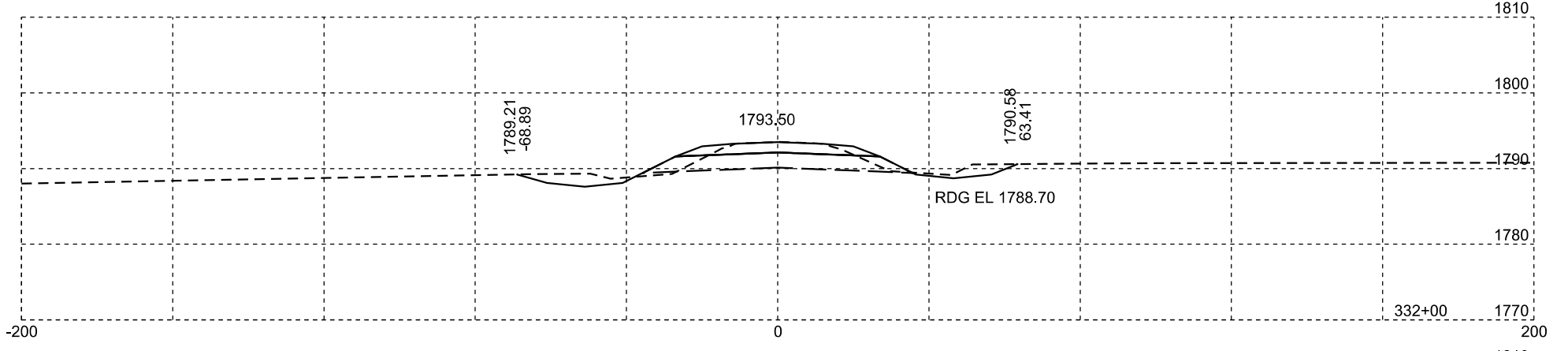
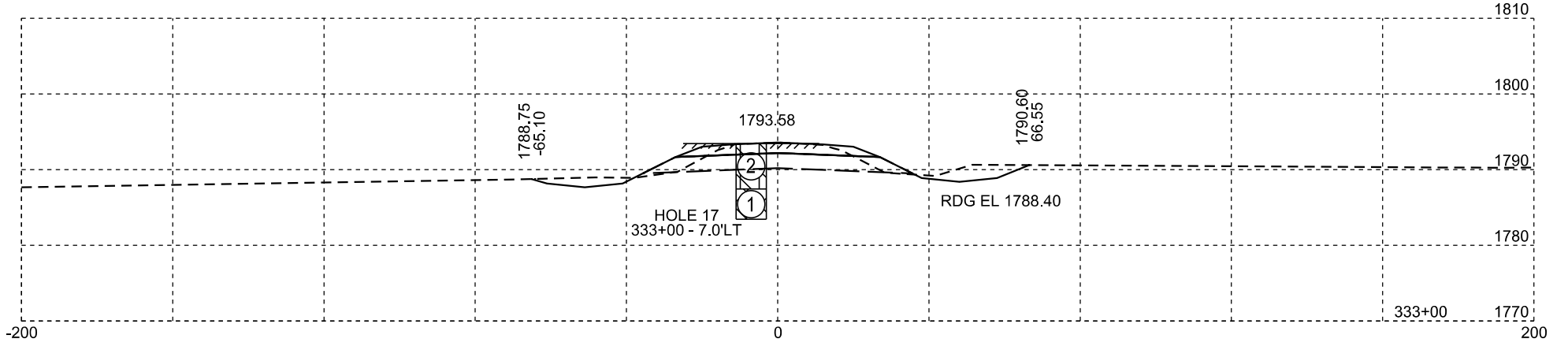
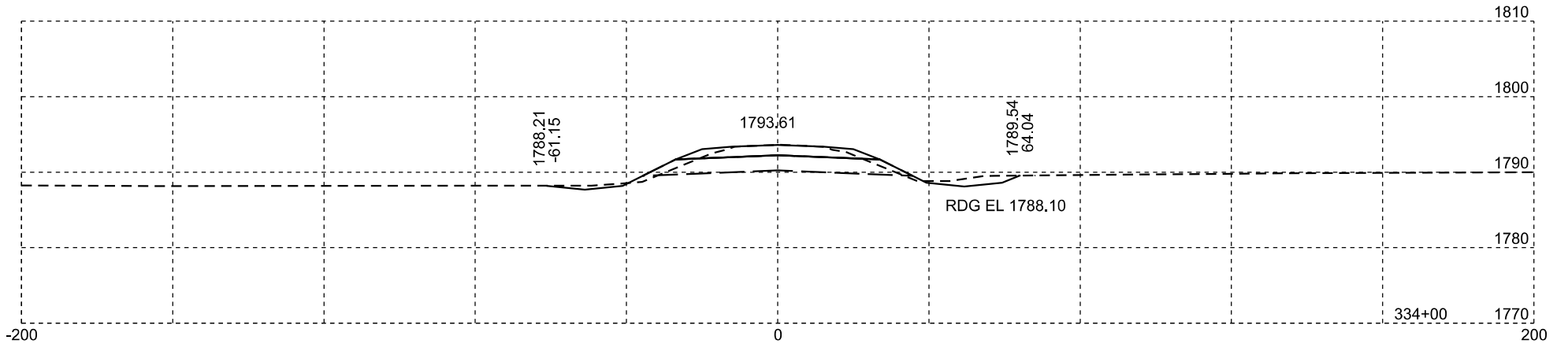
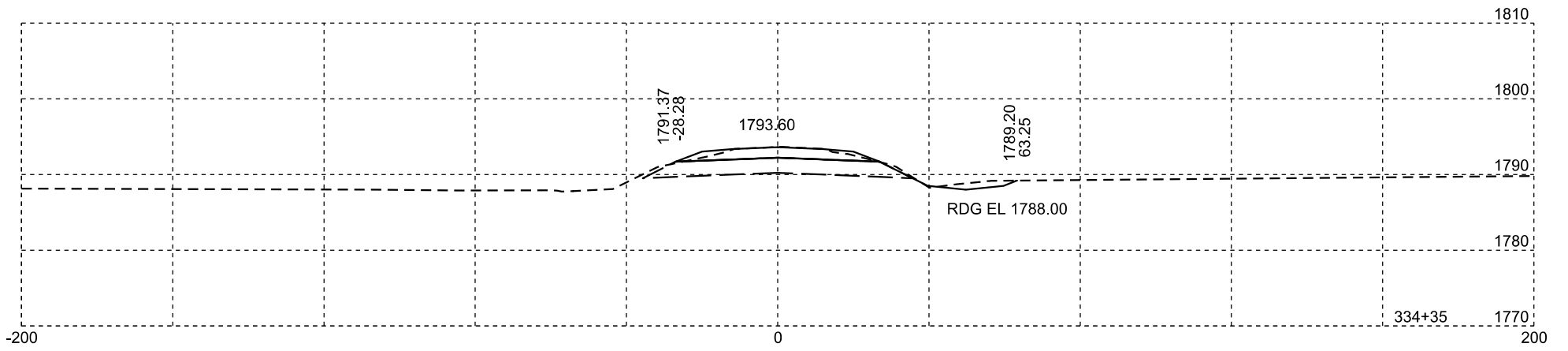
Plotting Date: 10/23/2024

STATE OF SOUTH DAKOTA	PROJECT	SHEET NO.	TOTAL SHEETS
	PH 0028(36)355	X67	X134



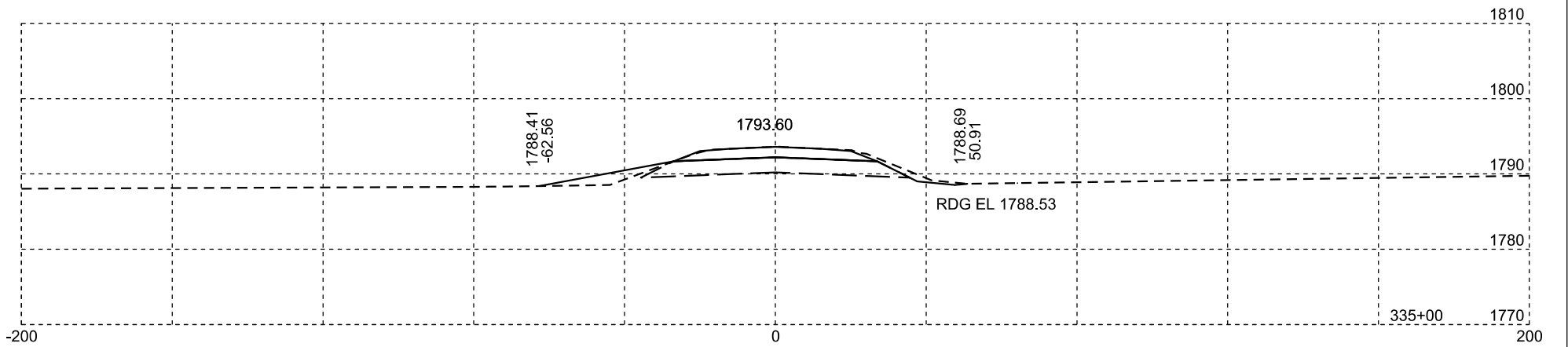
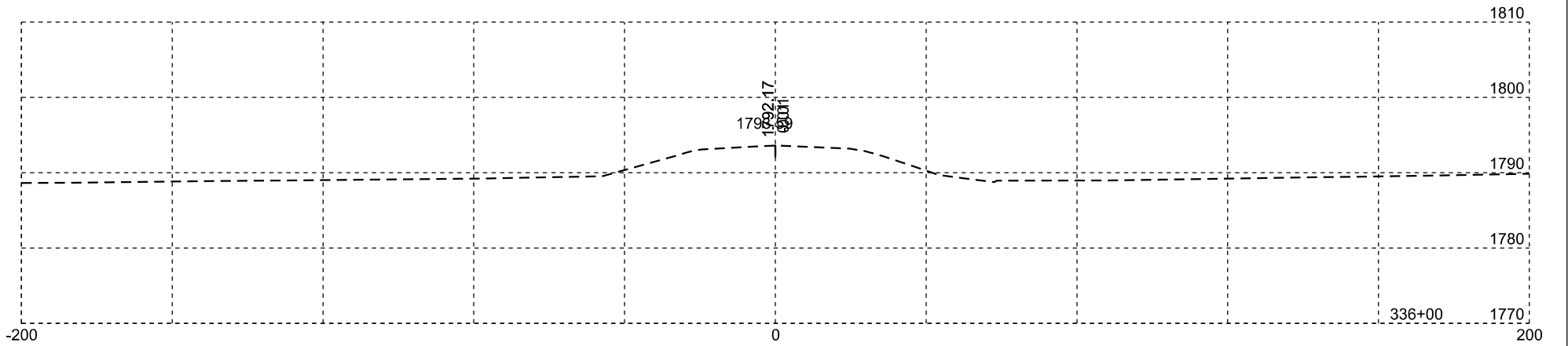
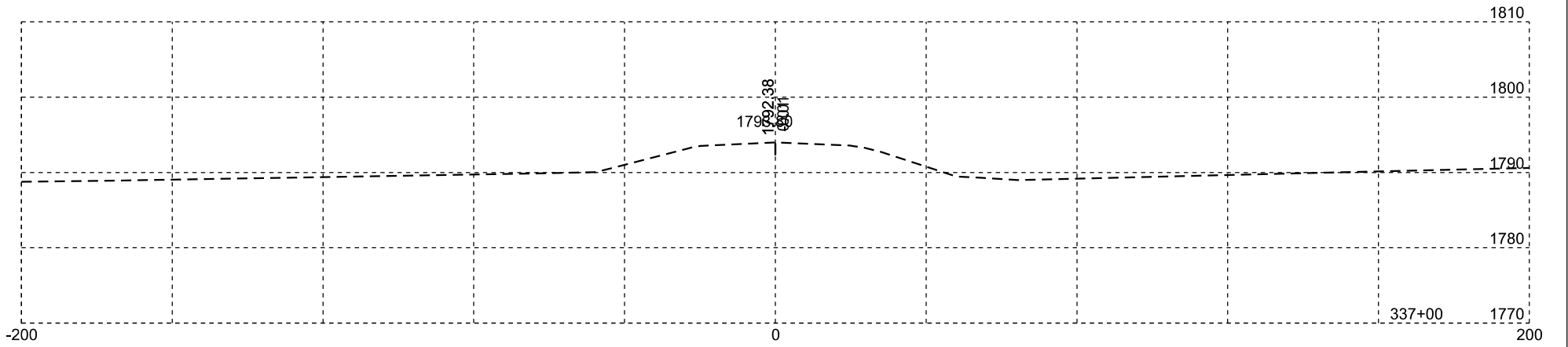
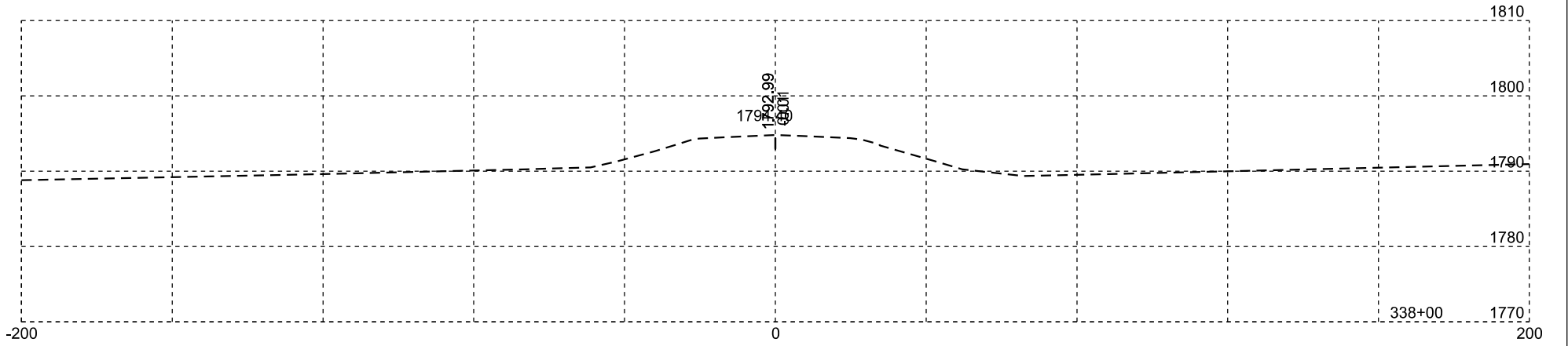
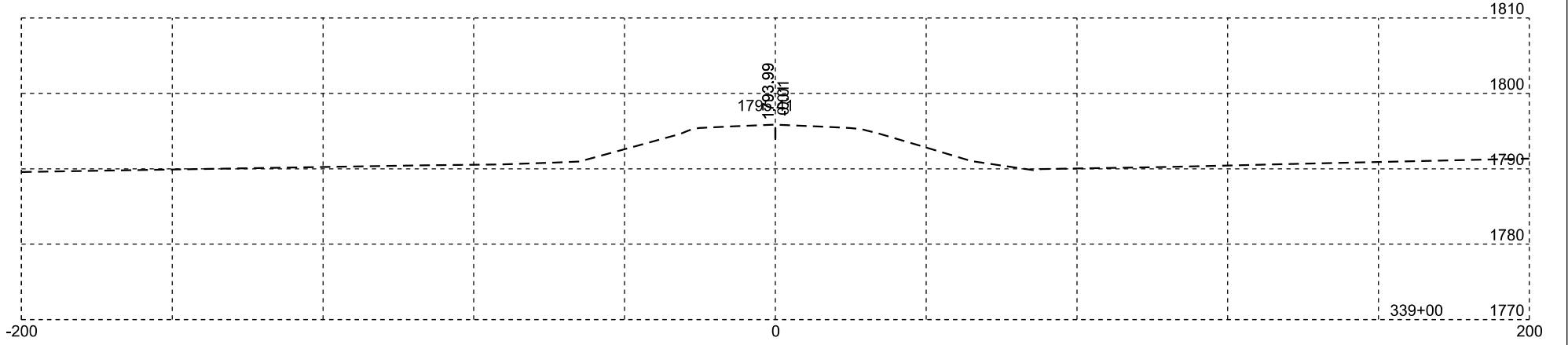
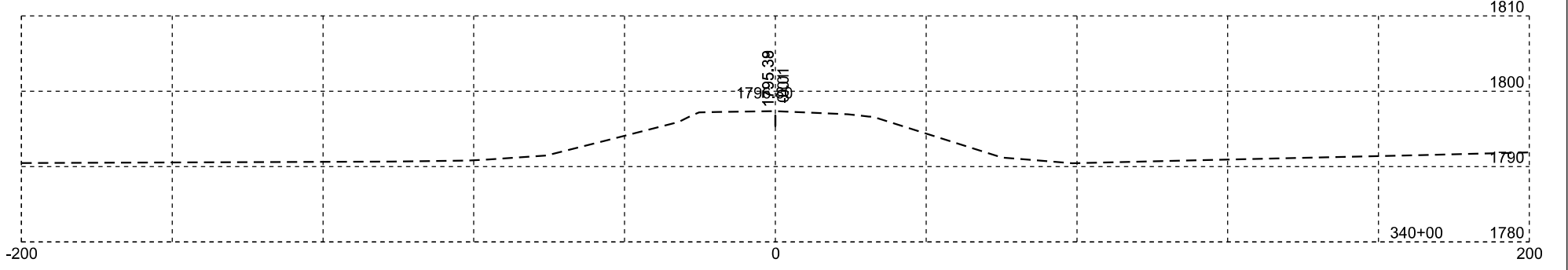
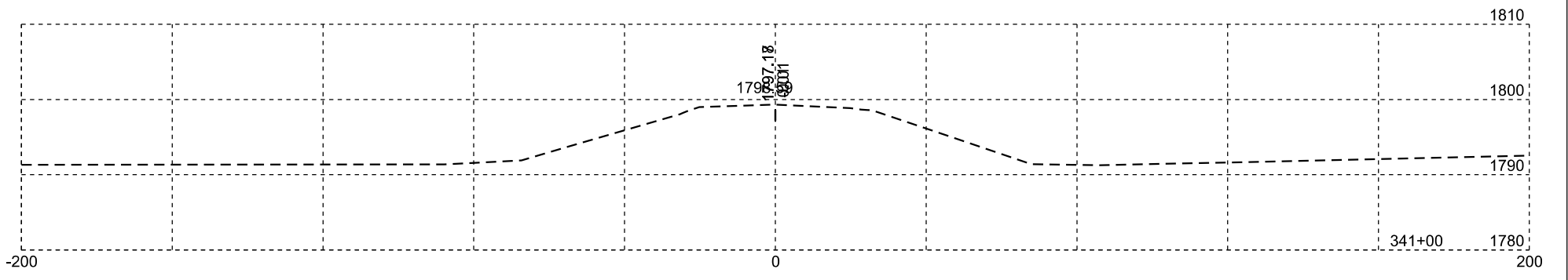
Plotting Date: 10/23/2024

STATE OF SOUTH DAKOTA	PROJECT	SHEET NO.	TOTAL SHEETS
	PH 0028(36)355	X68	X134



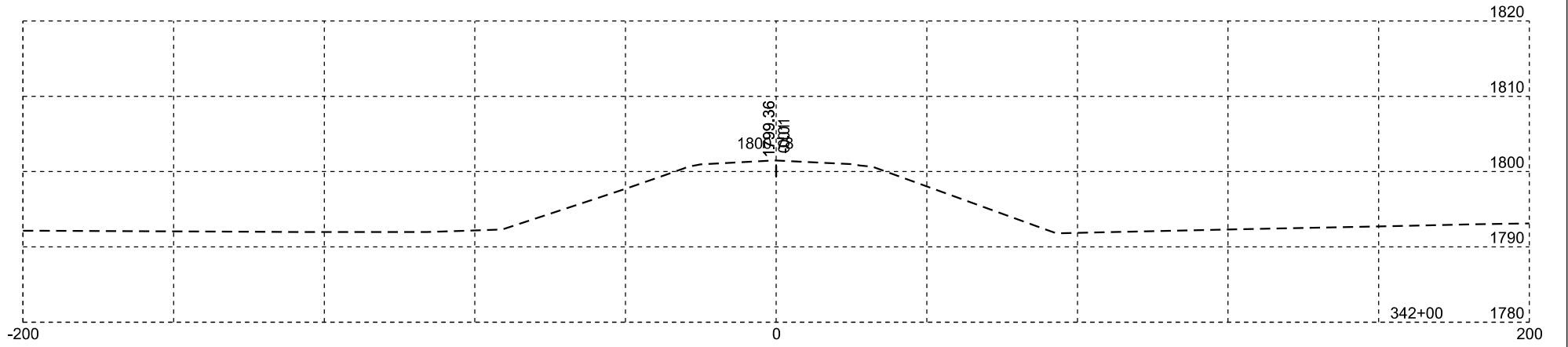
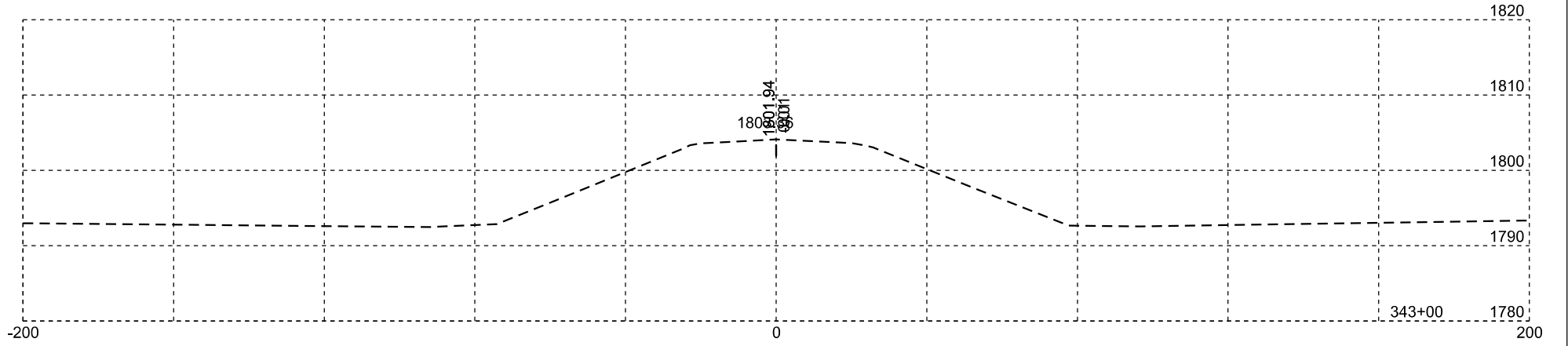
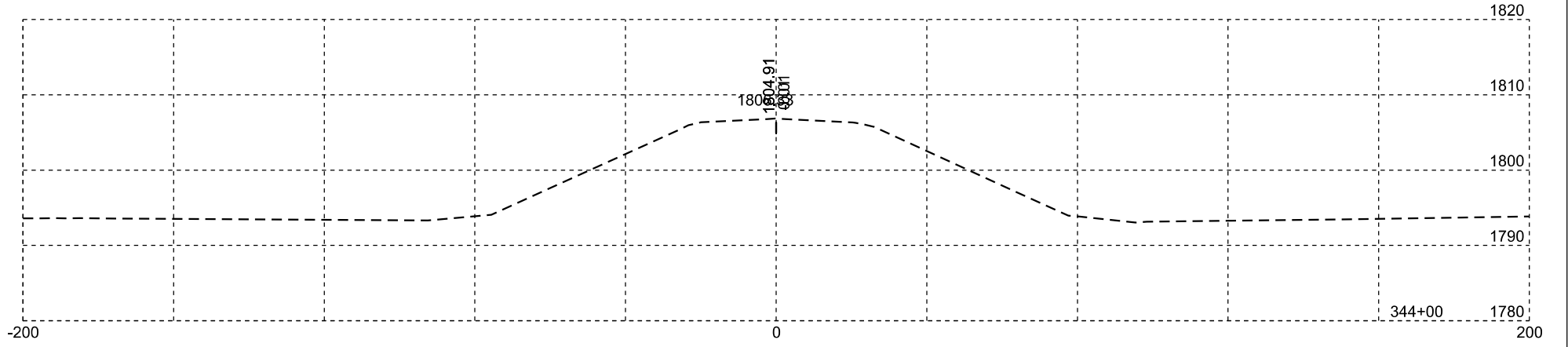
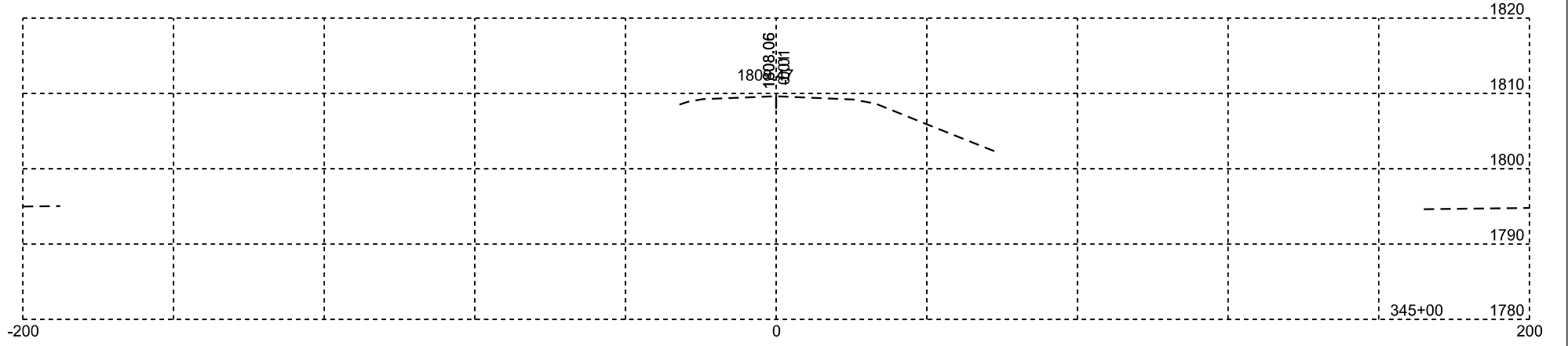
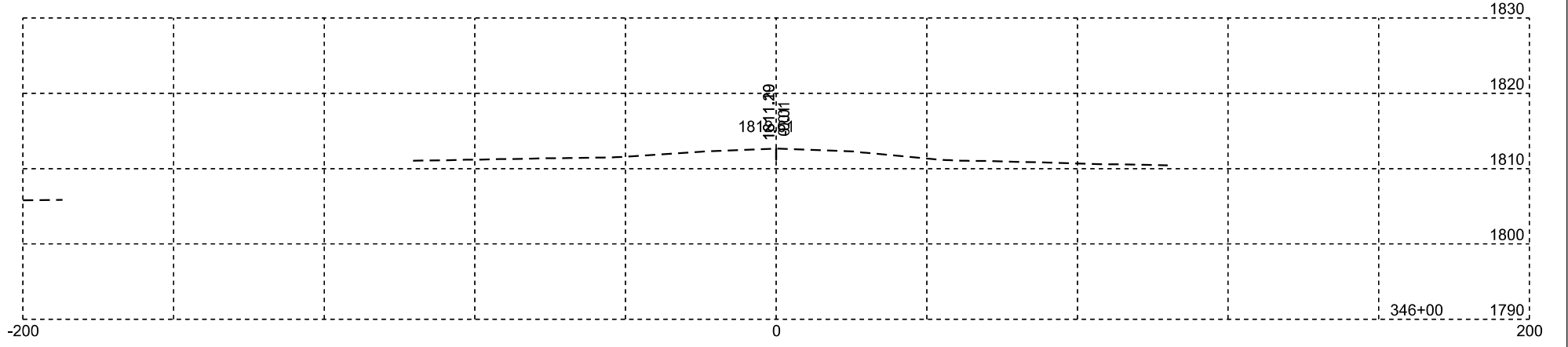
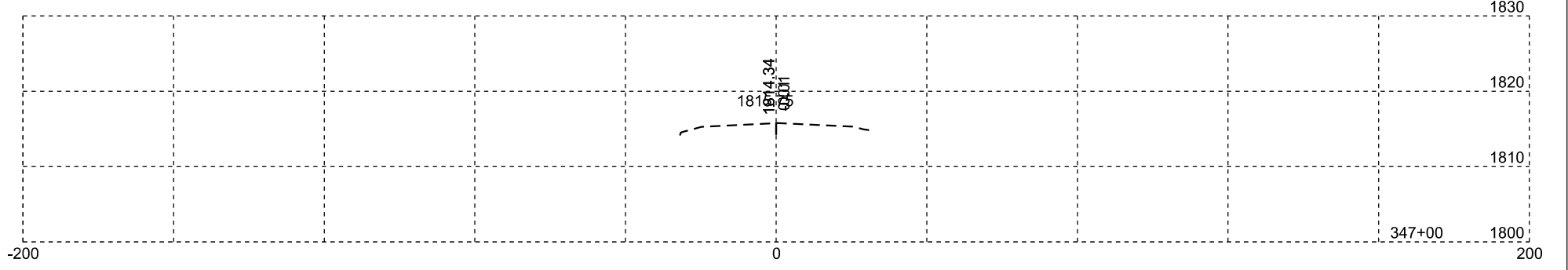
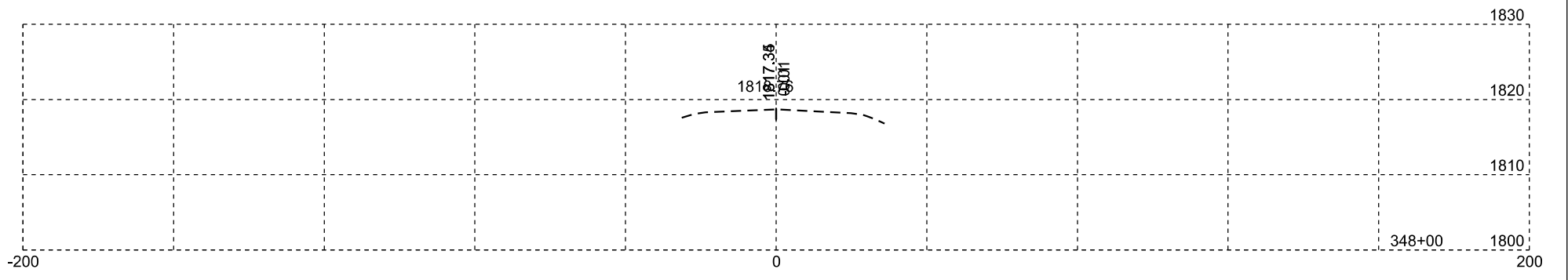
Plotting Date: 10/23/2024

STATE OF SOUTH DAKOTA	PROJECT	SHEET NO.	TOTAL SHEETS
	PH 0028(36)355	X69	X134



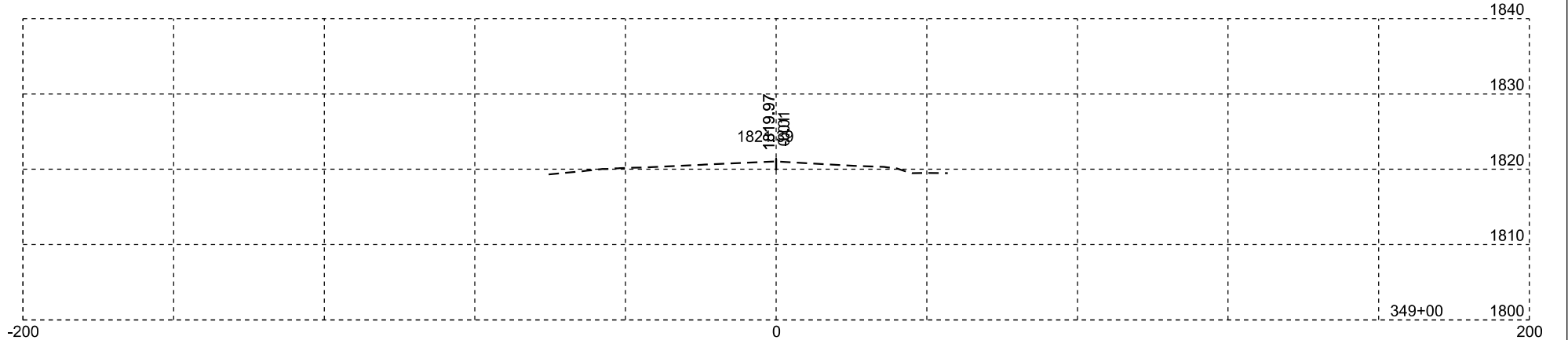
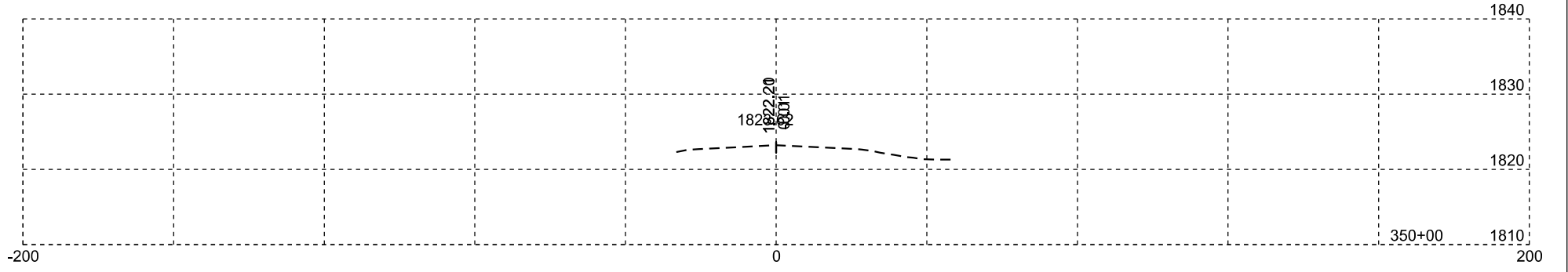
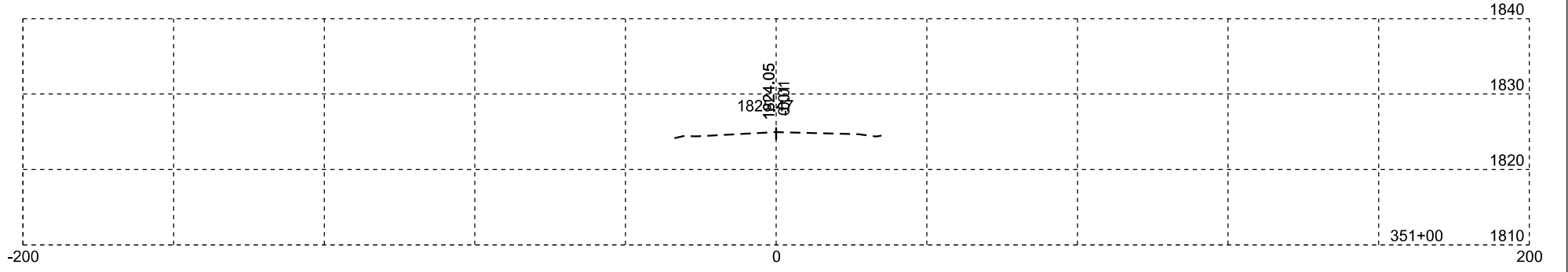
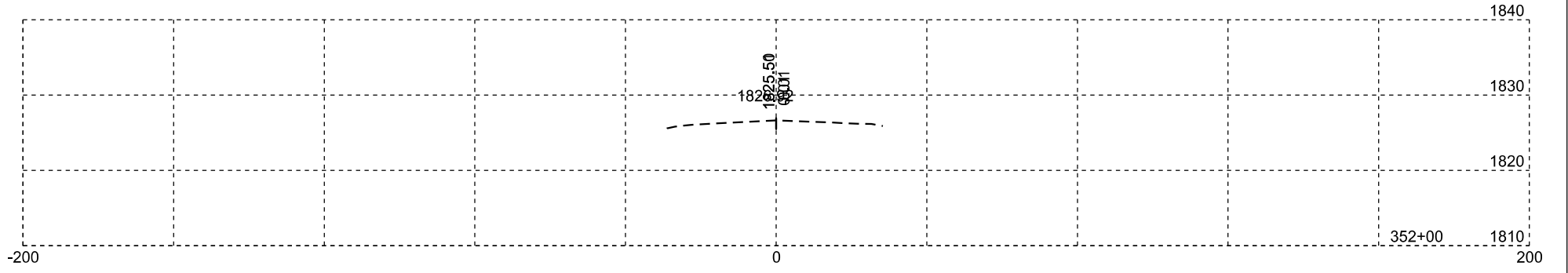
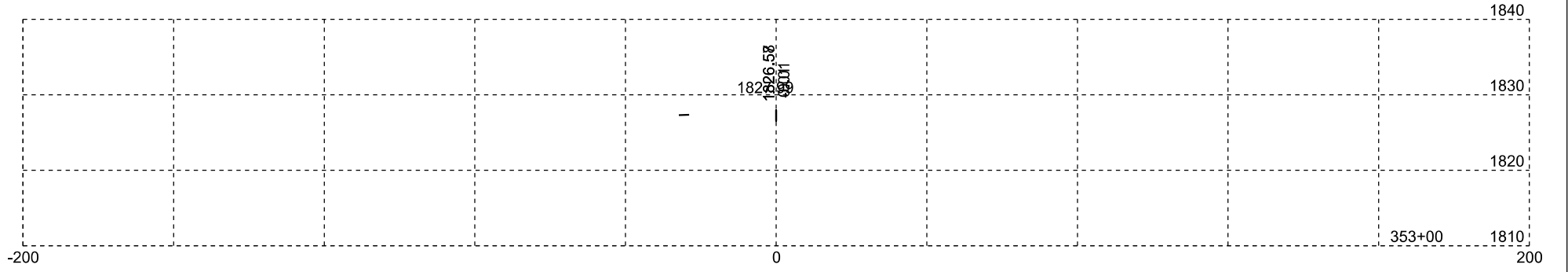
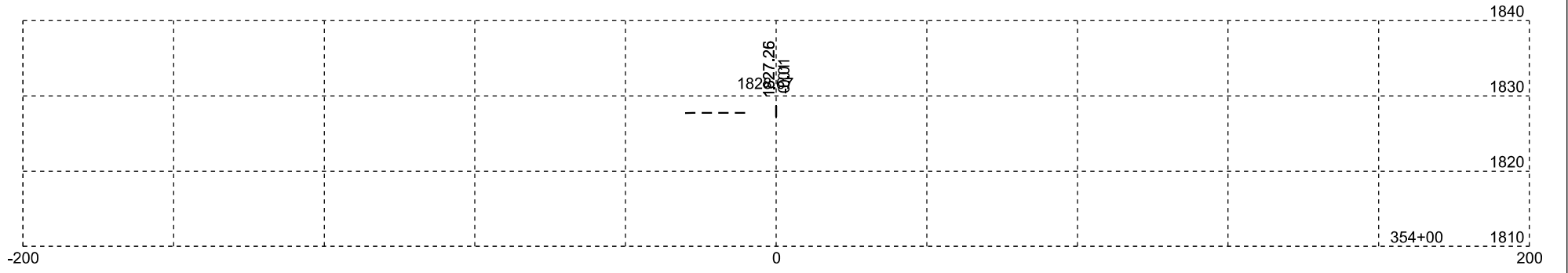
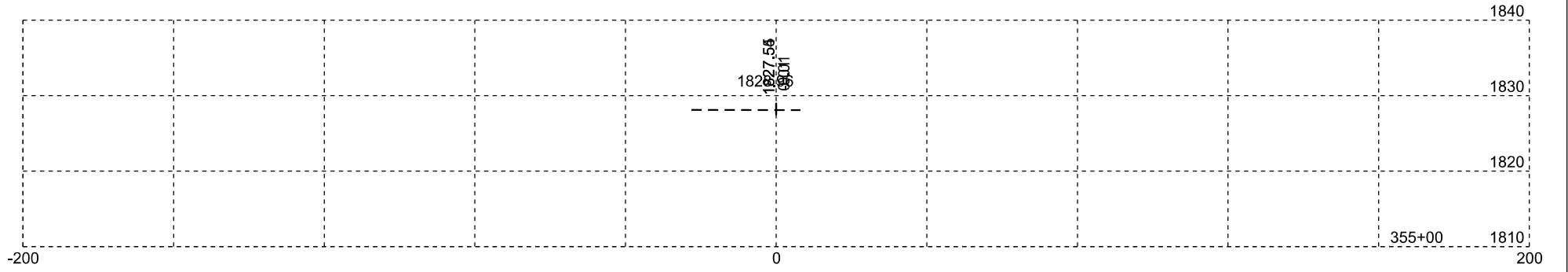
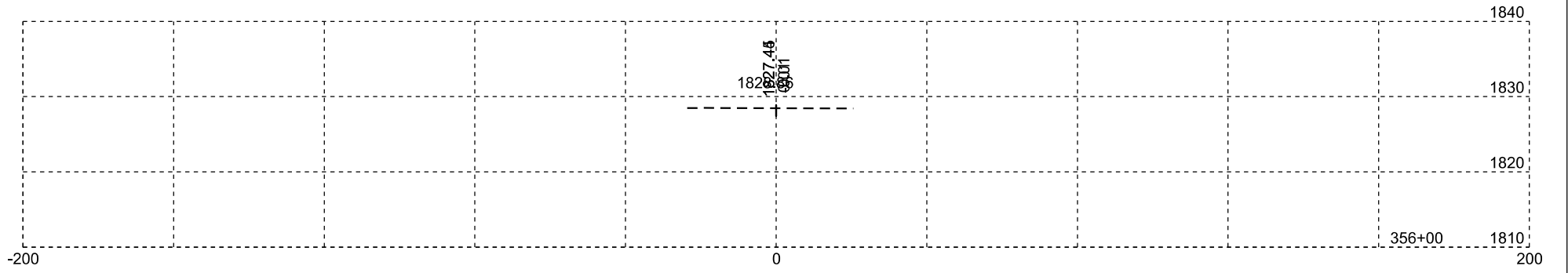
Plotting Date: 10/23/2024

STATE OF SOUTH DAKOTA	PROJECT	SHEET NO.	TOTAL SHEETS
	PH 0028(36)355	X70	X134



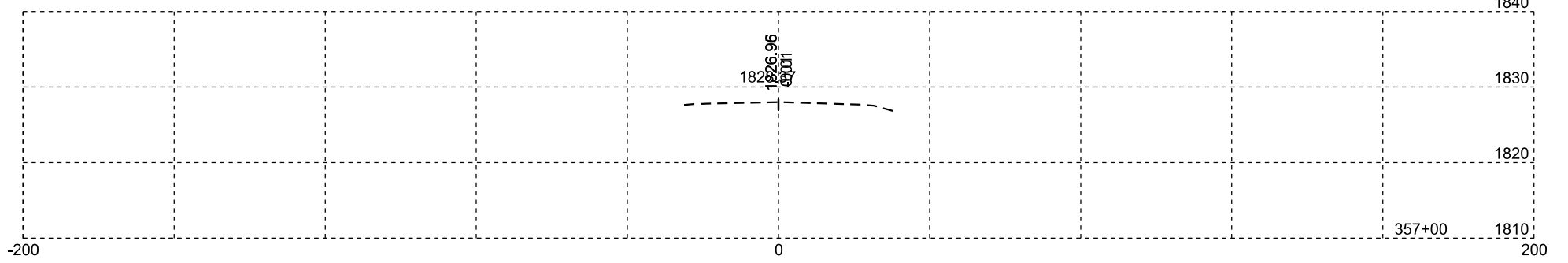
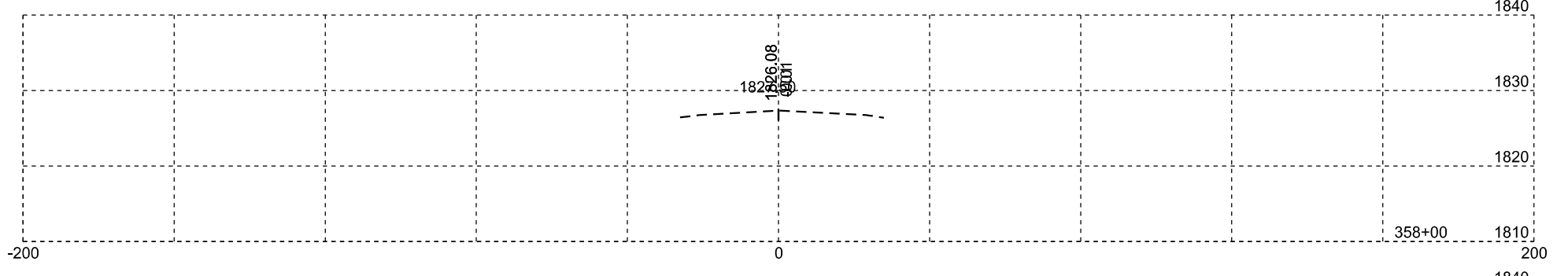
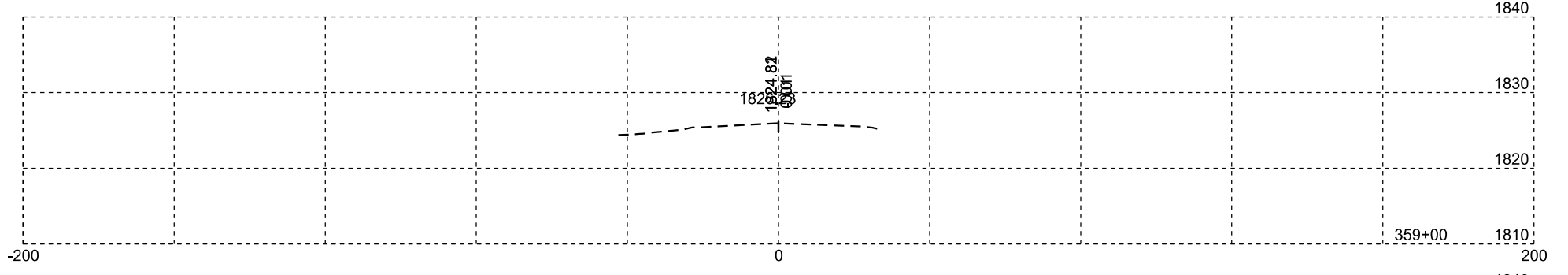
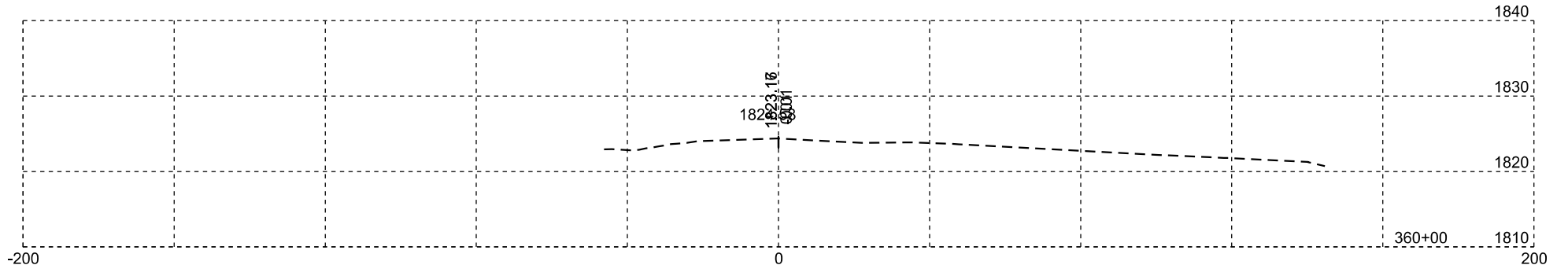
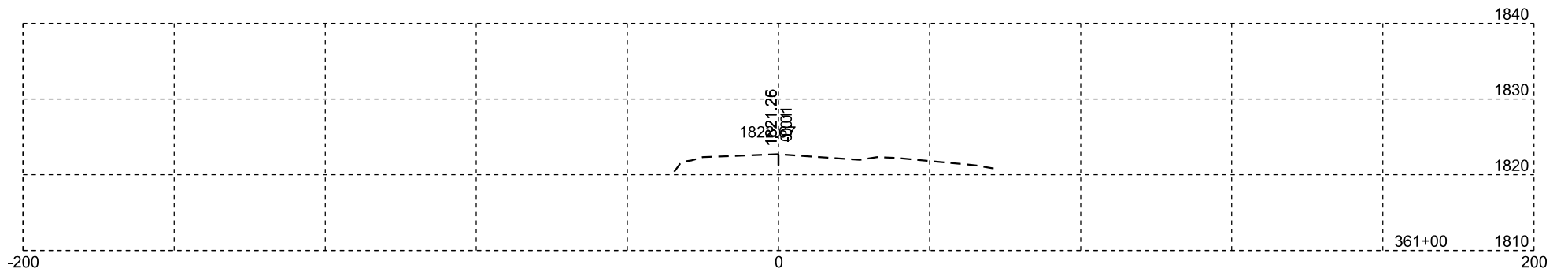
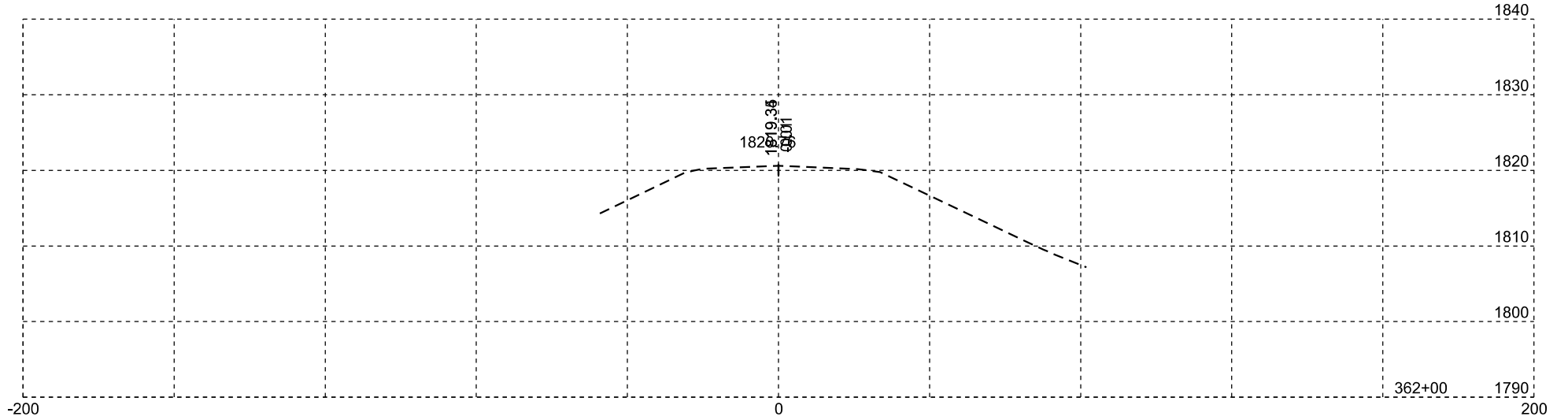
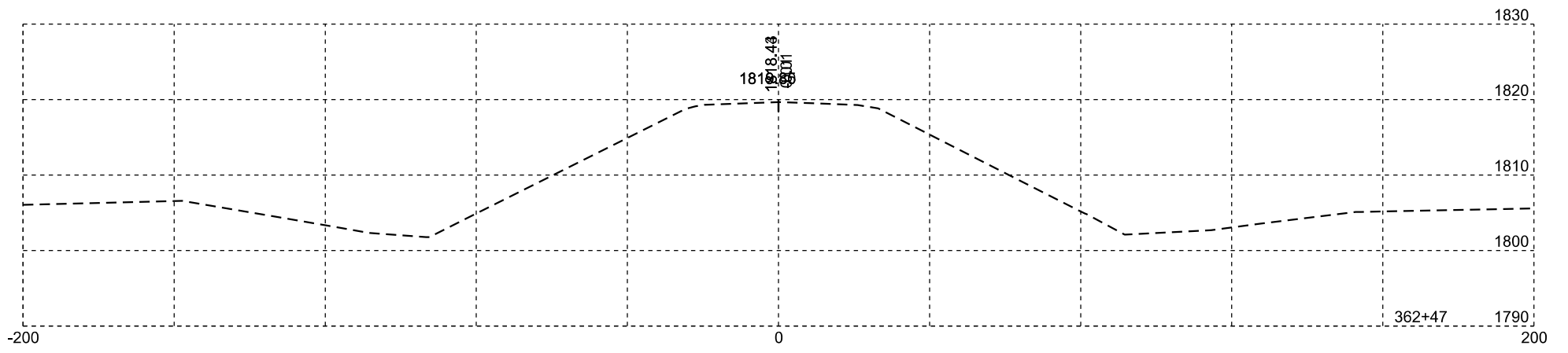
Plotting Date: 10/23/2024

STATE OF SOUTH DAKOTA	PROJECT	SHEET NO.	TOTAL SHEETS
	PH 0028(36)355	X71	X134



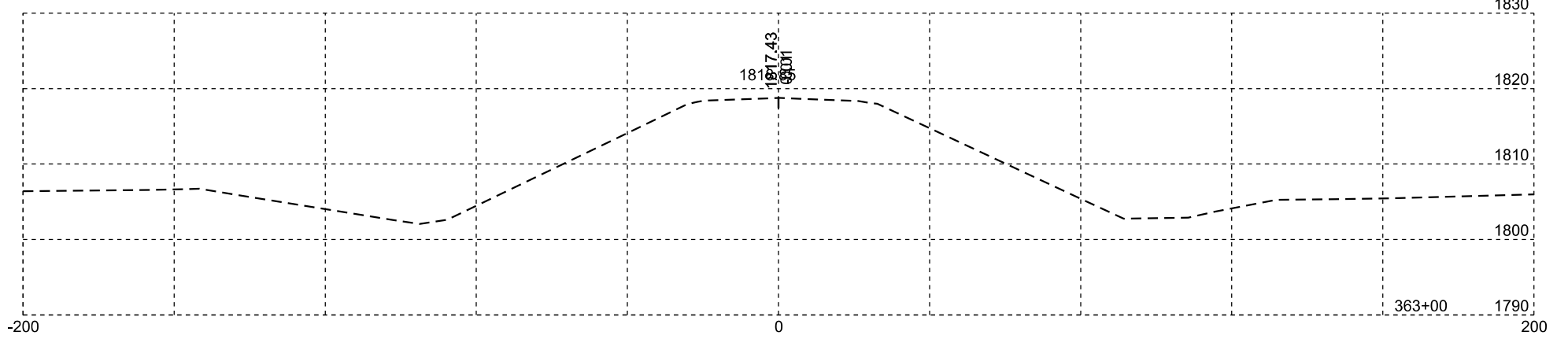
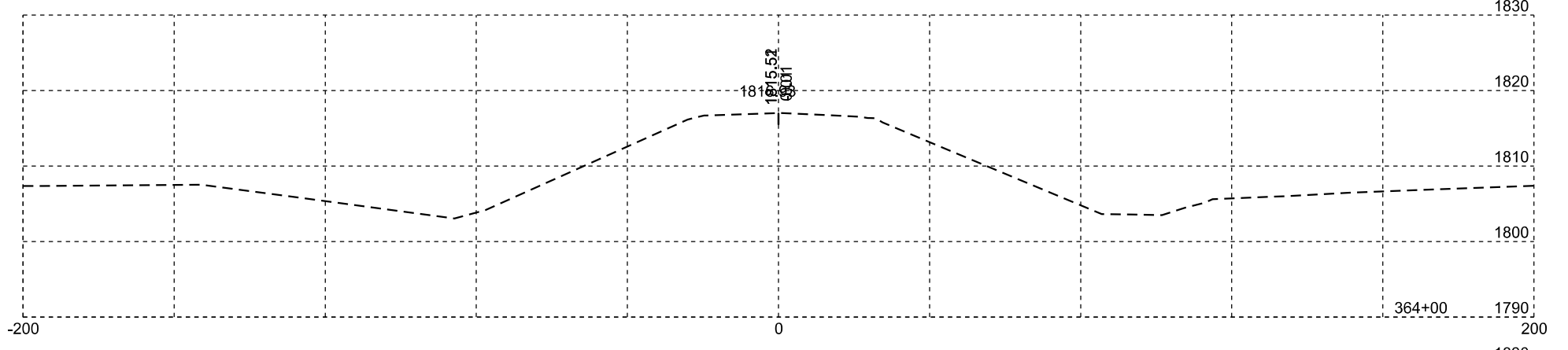
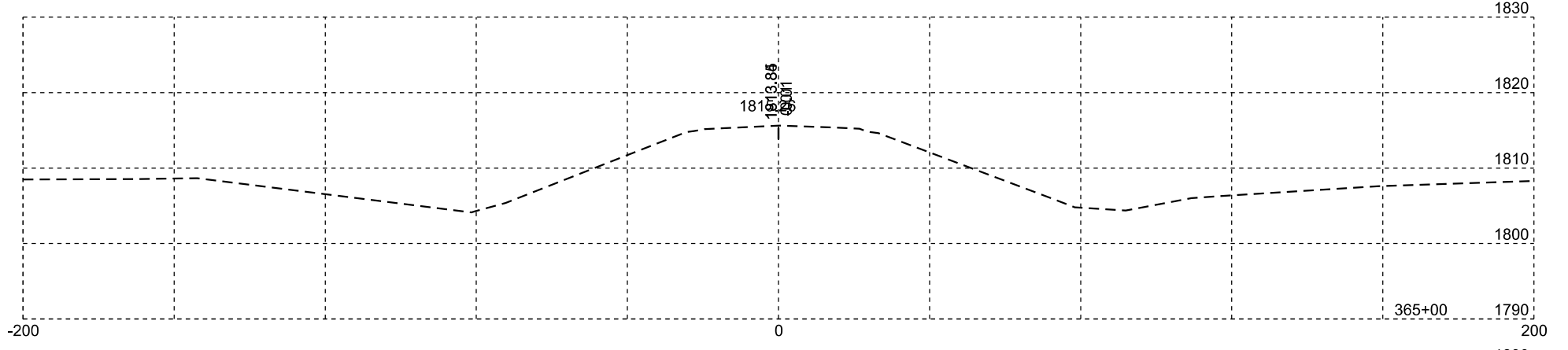
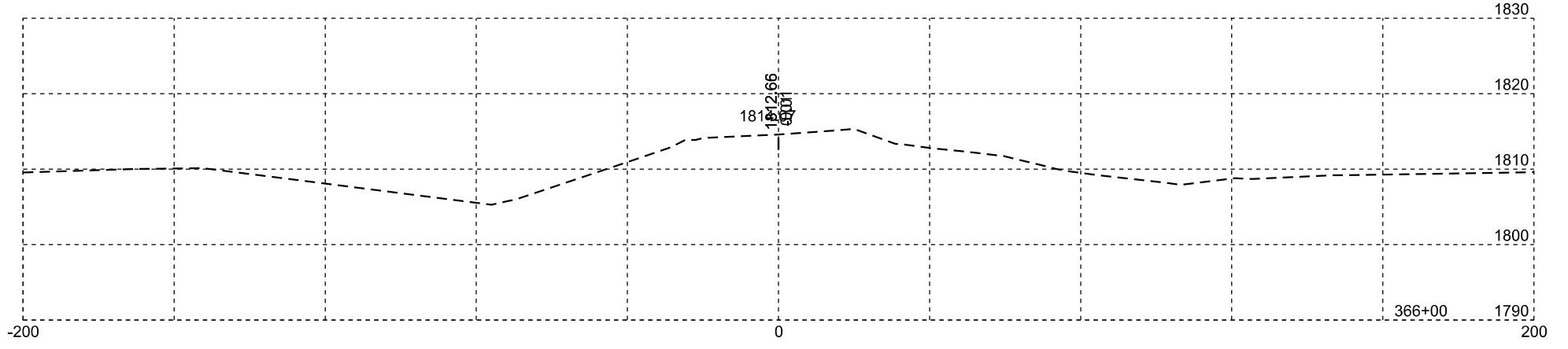
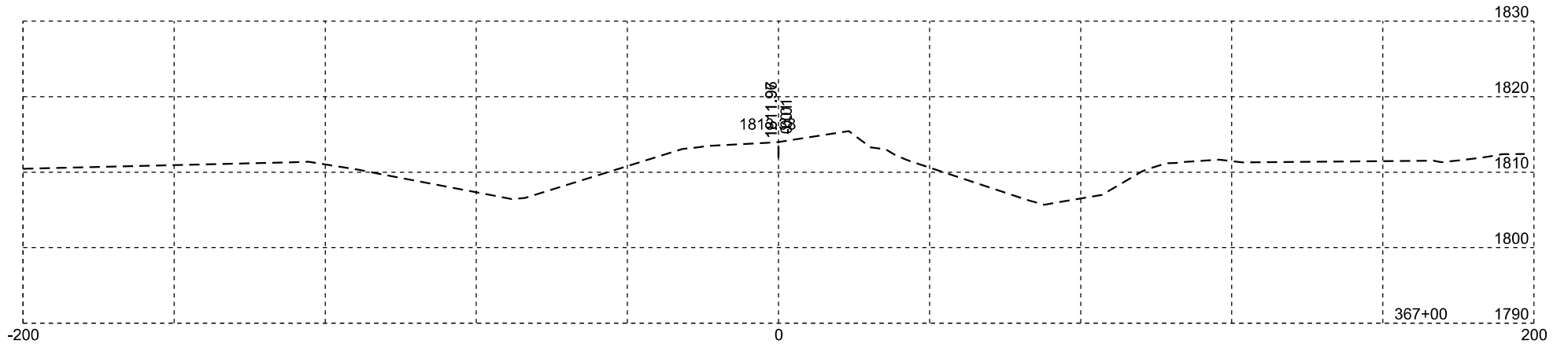
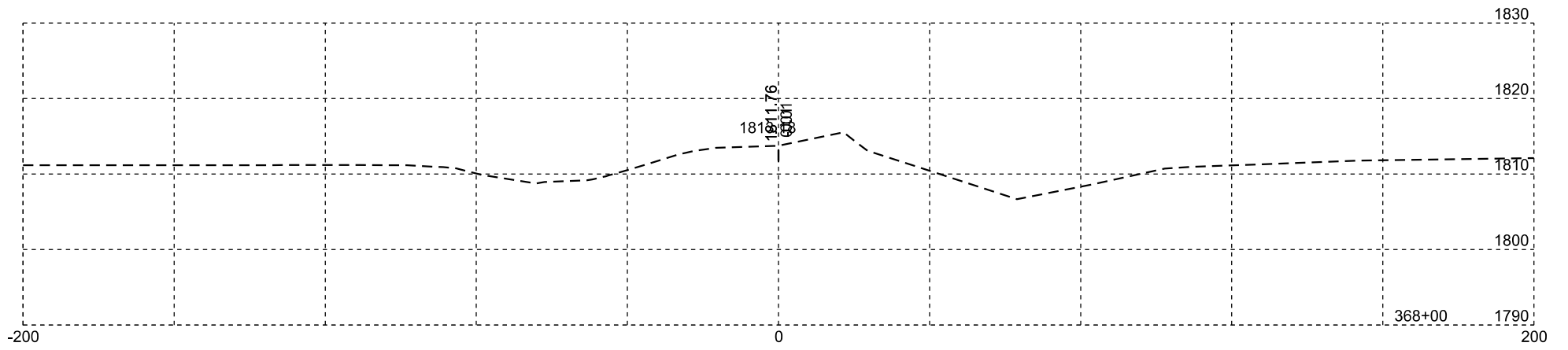
Plotting Date: 10/23/2024

STATE OF SOUTH DAKOTA	PROJECT	SHEET NO.	TOTAL SHEETS
	PH 0028(36)355	X72	X134



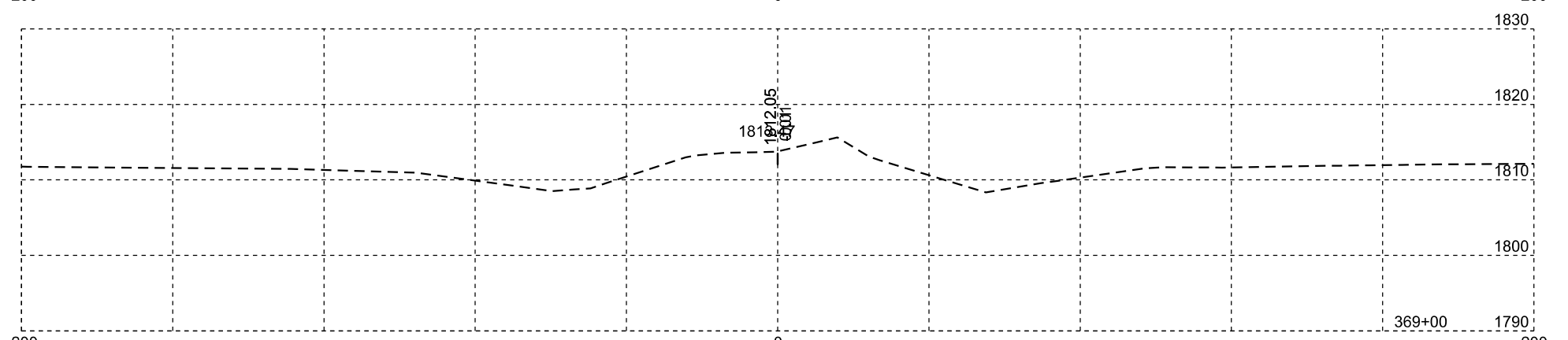
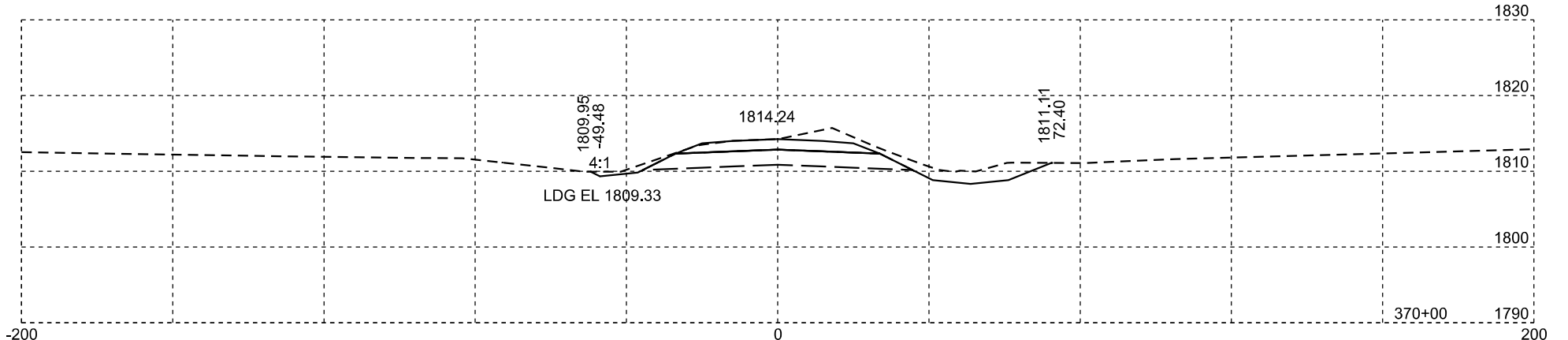
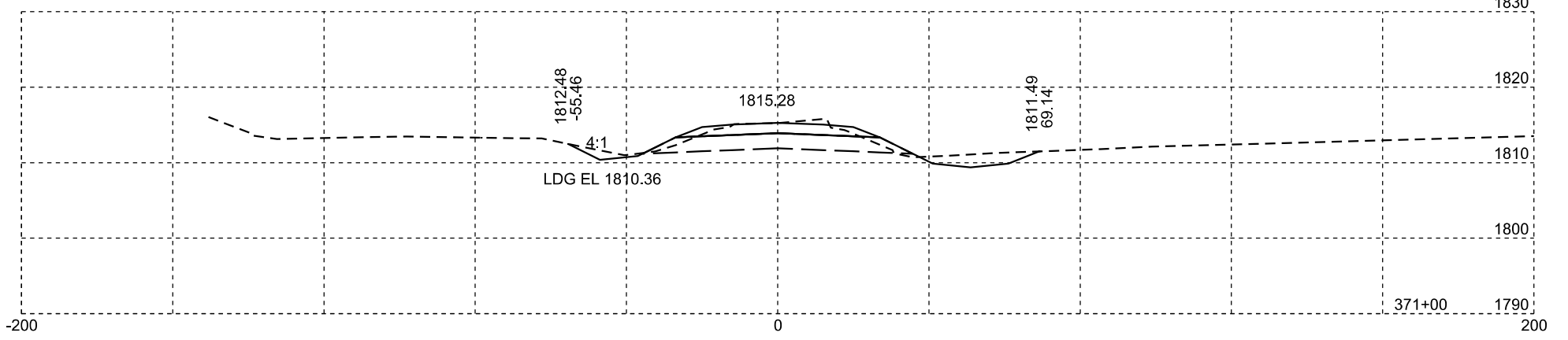
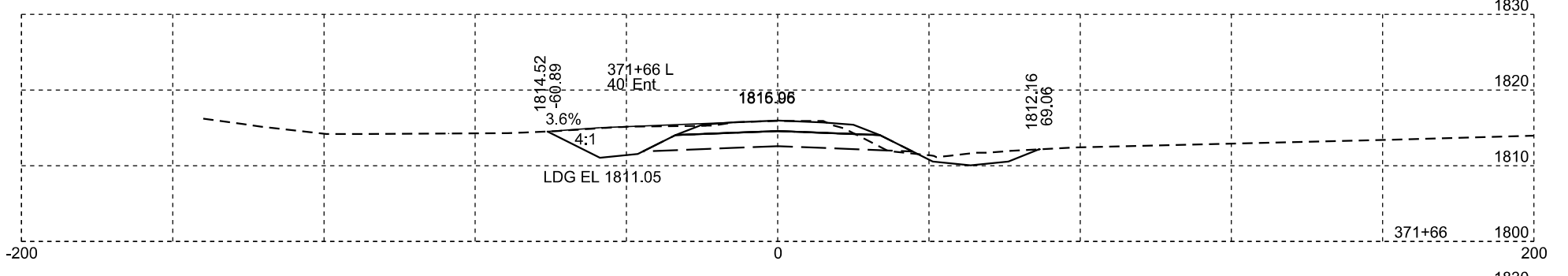
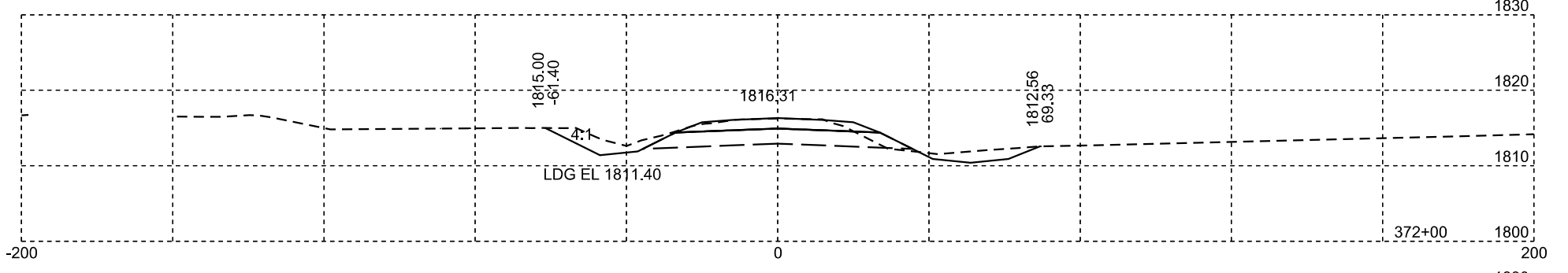
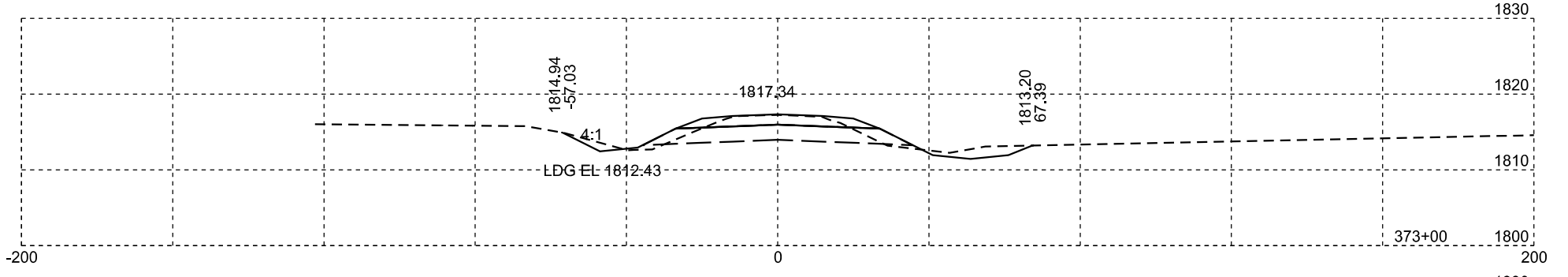
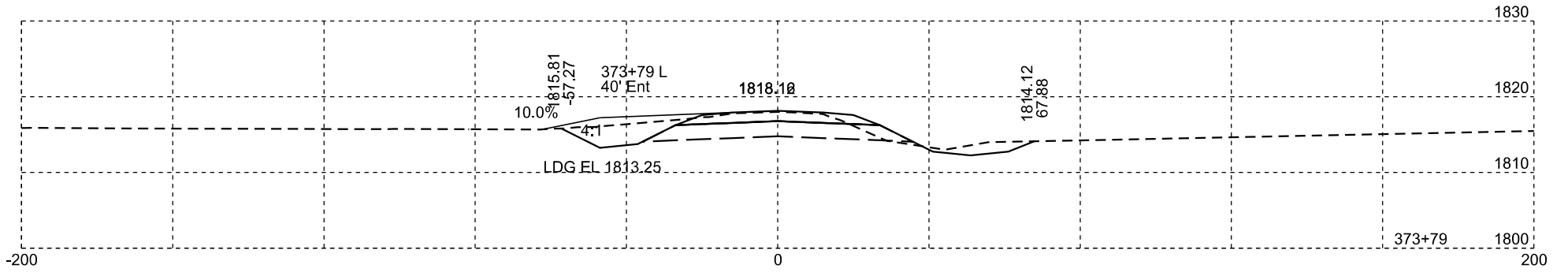
Plotting Date: 10/23/2024

STATE OF SOUTH DAKOTA	PROJECT	SHEET NO.	TOTAL SHEETS
	PH 0028(36)355	X73	X134



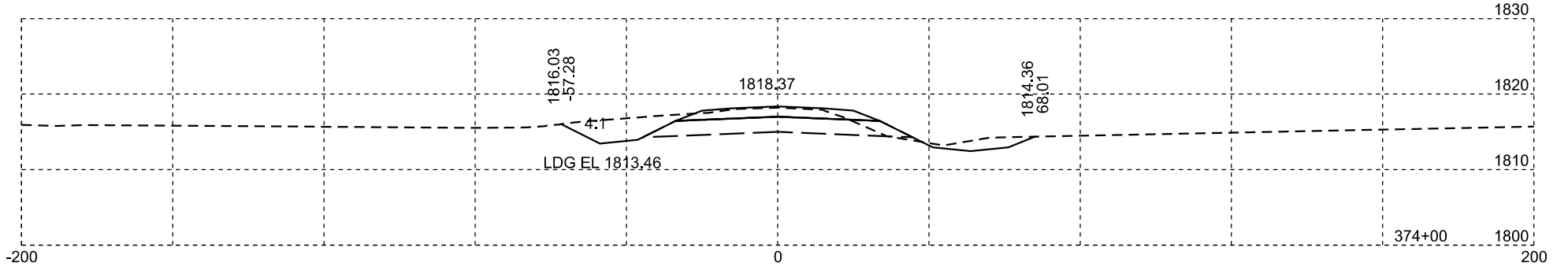
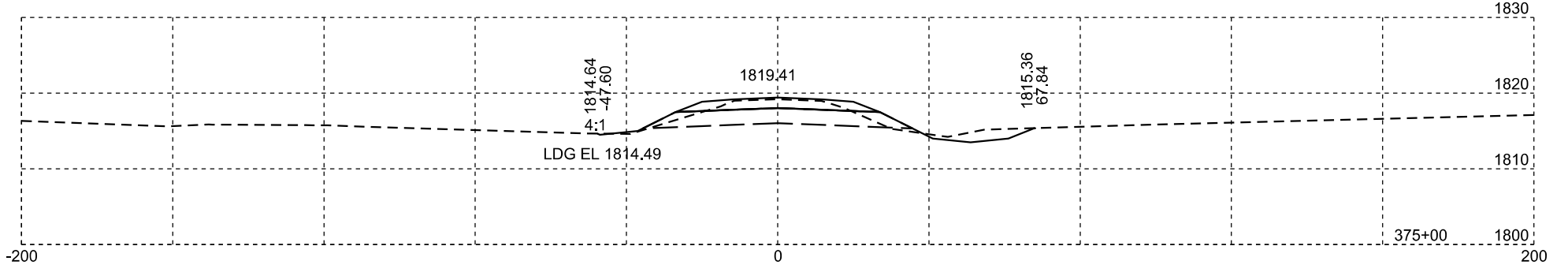
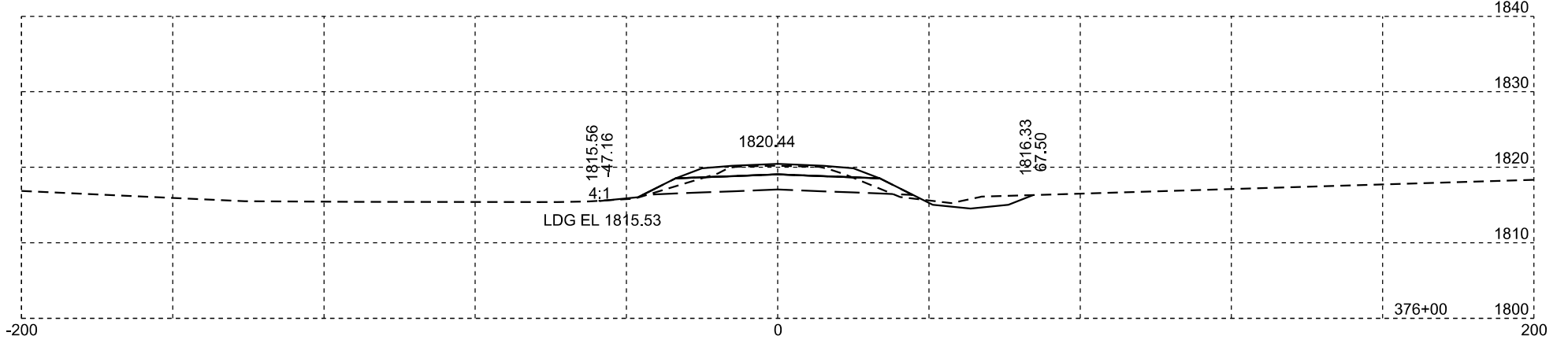
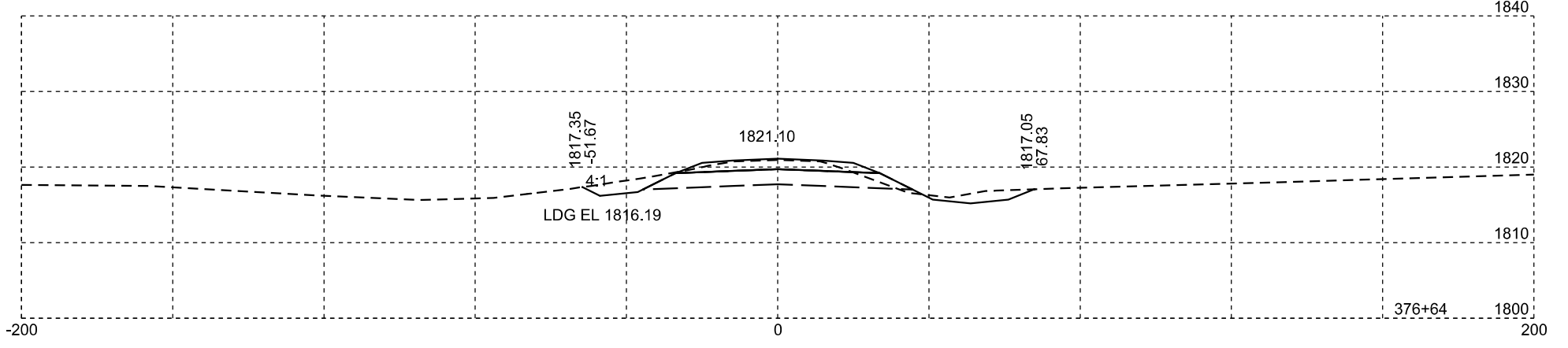
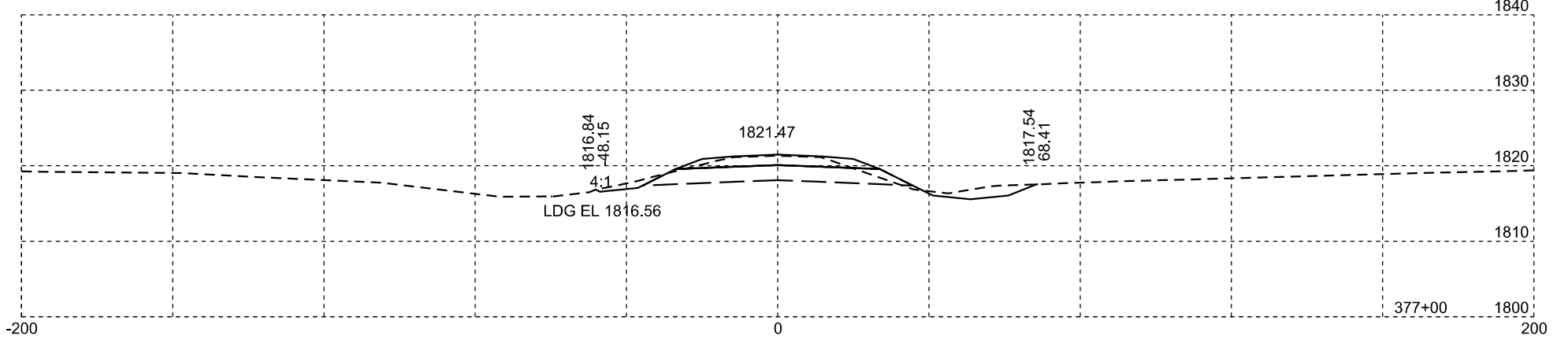
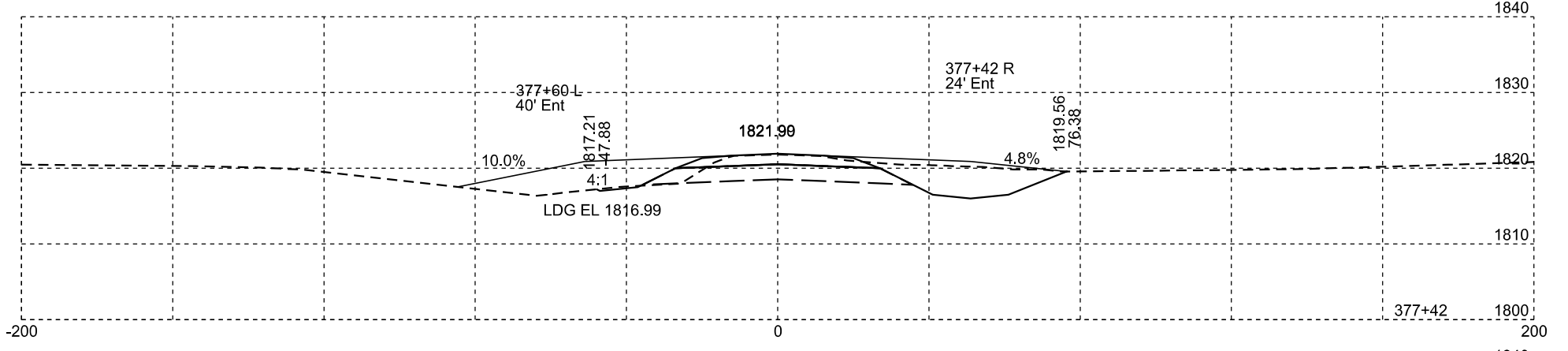
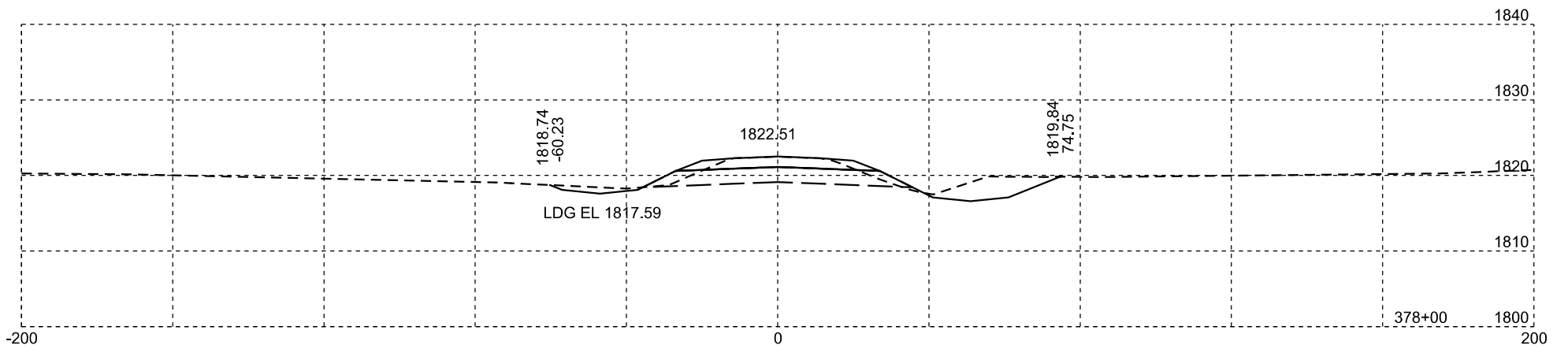
Plotting Date: 10/23/2024

STATE OF SOUTH DAKOTA	PROJECT	SHEET NO.	TOTAL SHEETS
	PH 0028(36)355	X74	X134



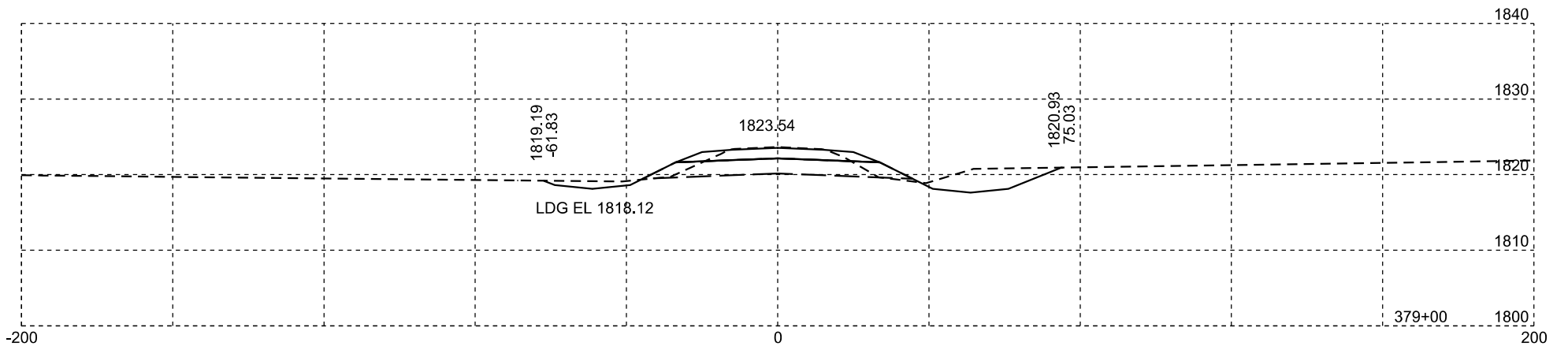
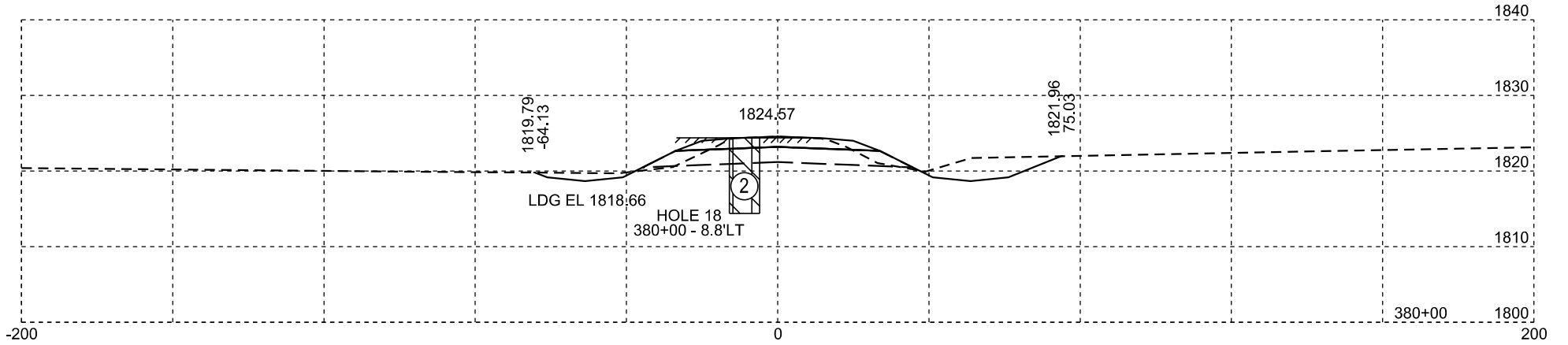
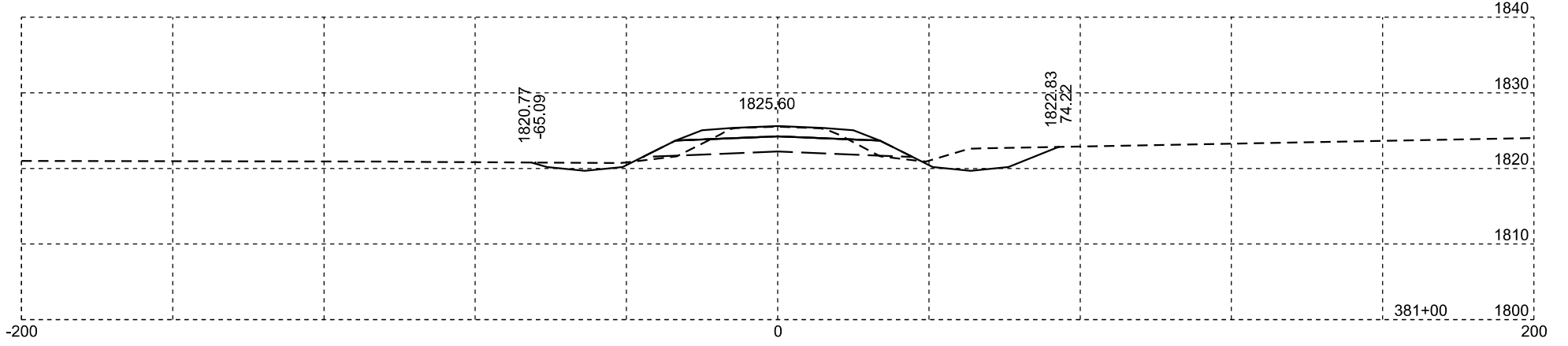
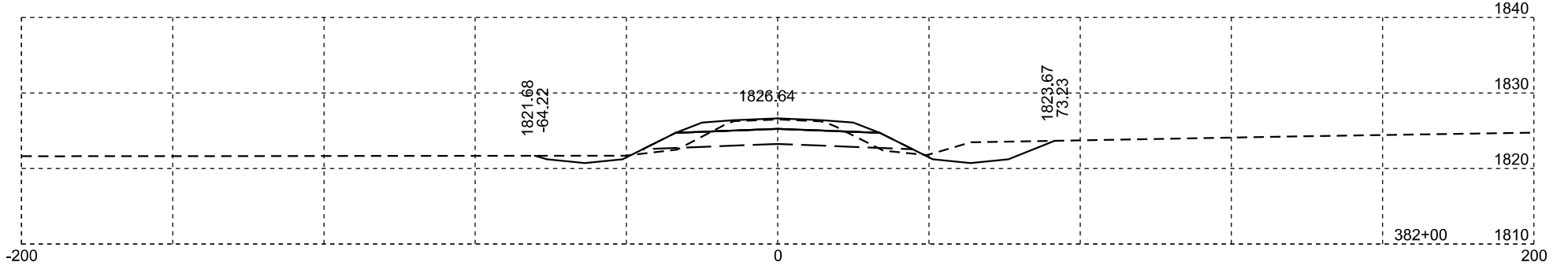
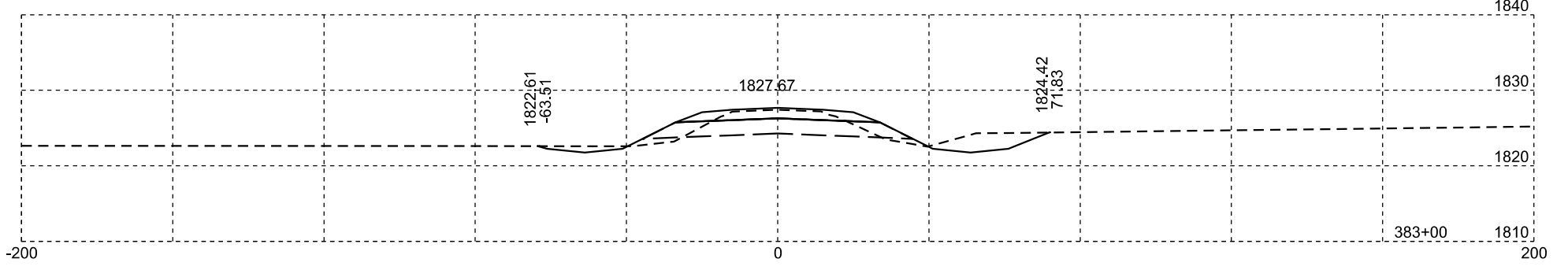
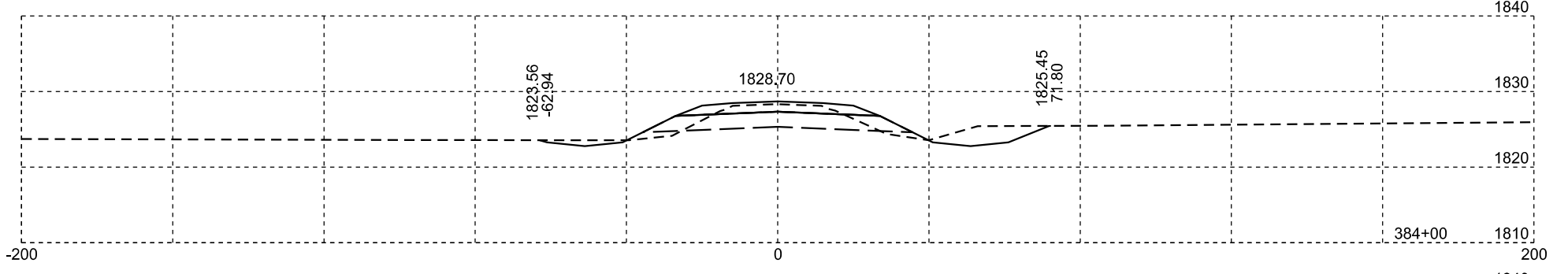
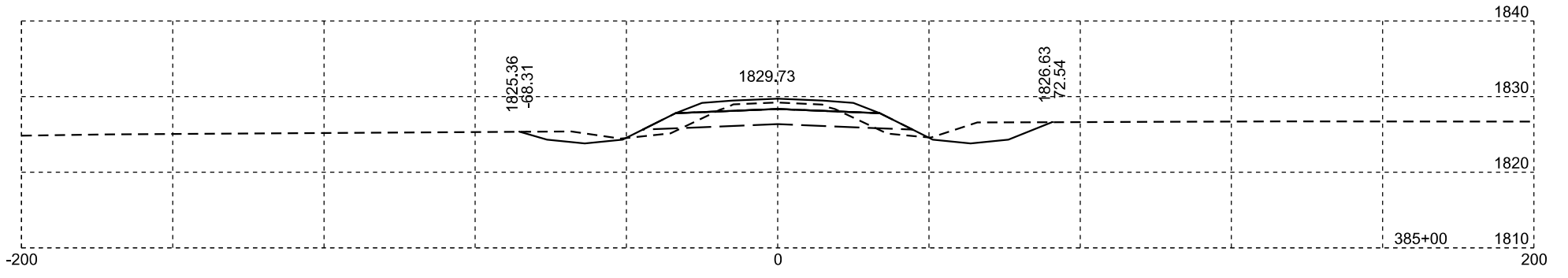
Plotting Date: 10/23/2024

STATE OF SOUTH DAKOTA	PROJECT	SHEET NO.	TOTAL SHEETS
	PH 0028(36)355	X75	X134



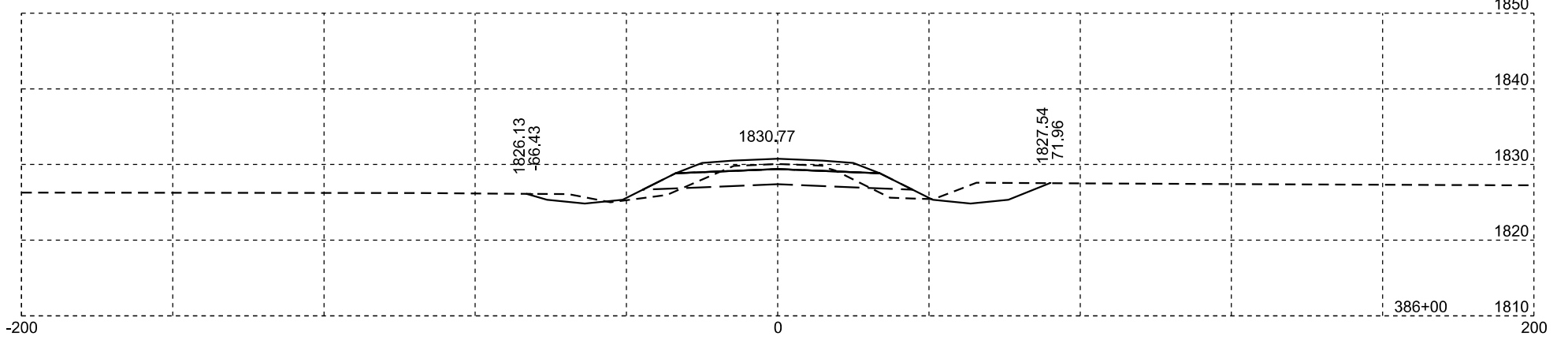
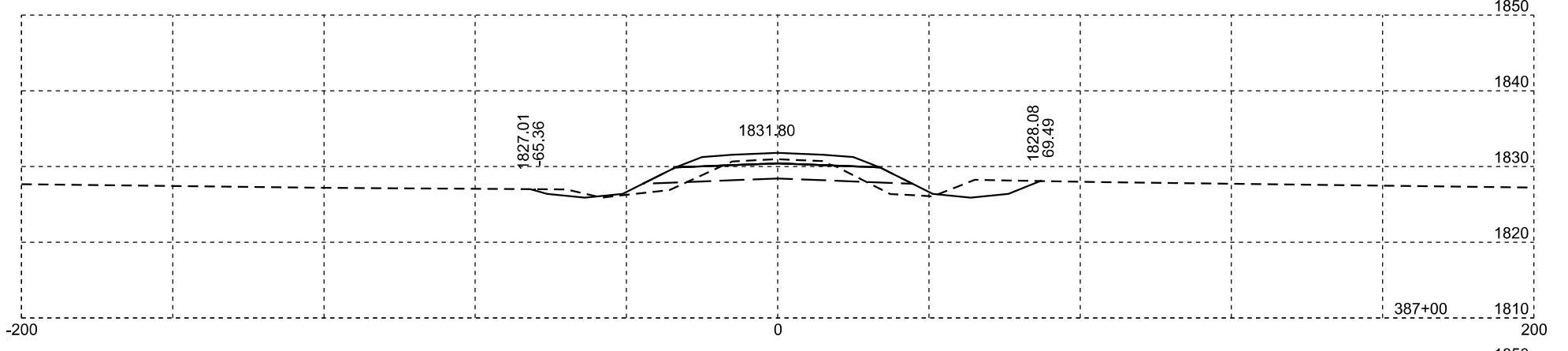
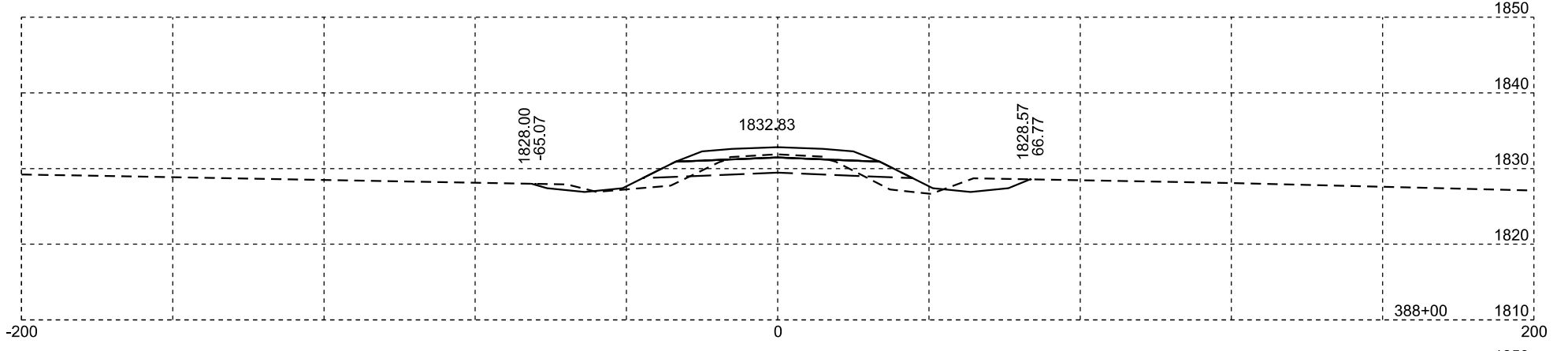
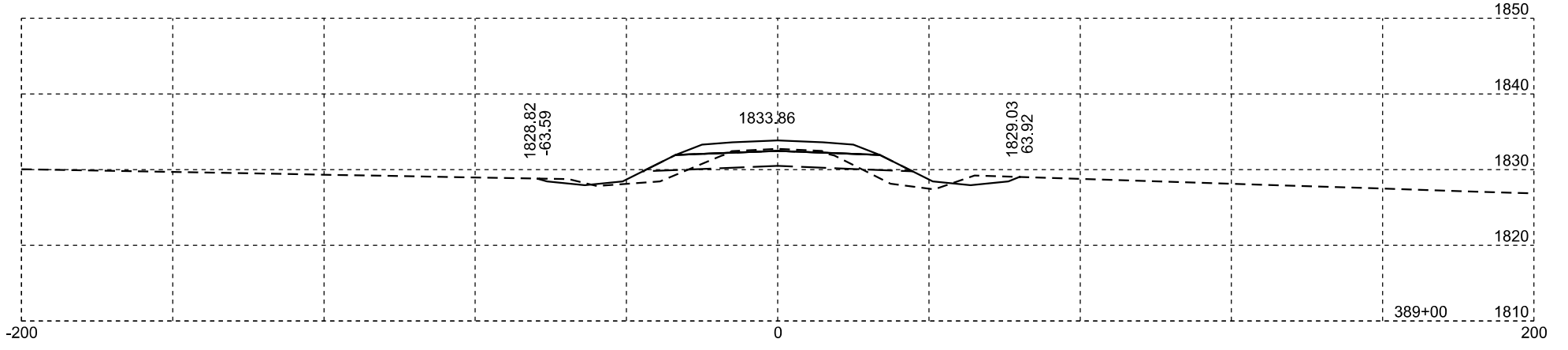
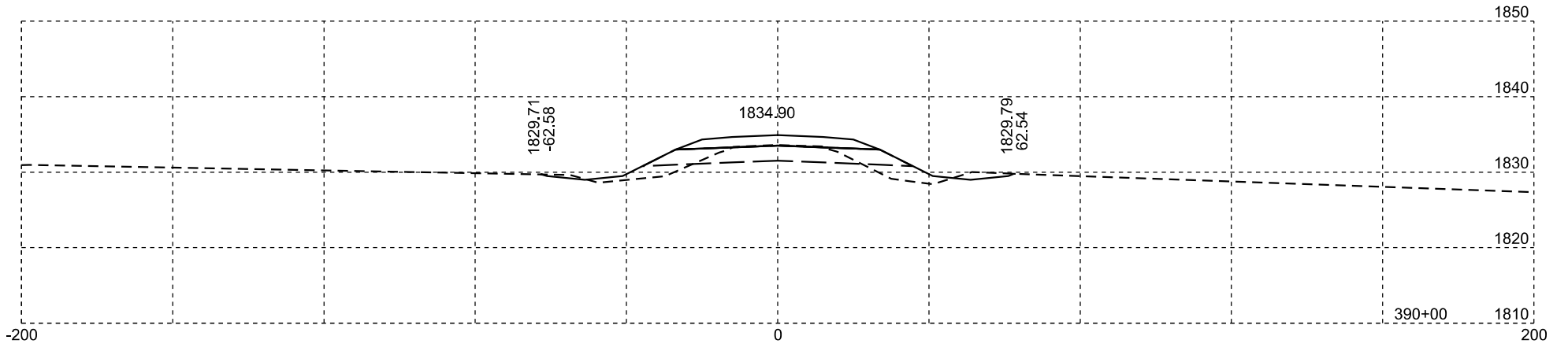
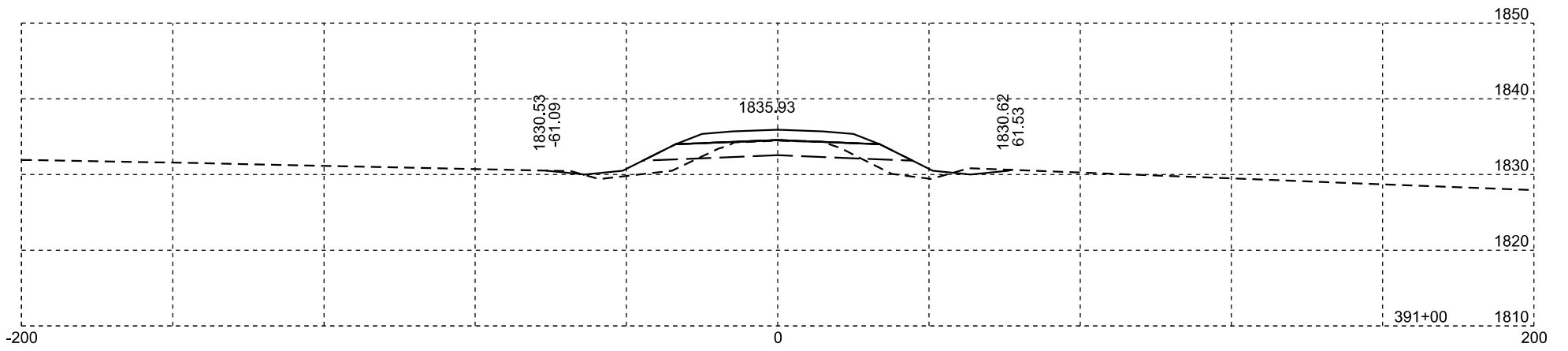
Plotting Date: 10/23/2024

STATE OF SOUTH DAKOTA	PROJECT	SHEET NO.	TOTAL SHEETS
	PH 0028(36)355	X76	X134



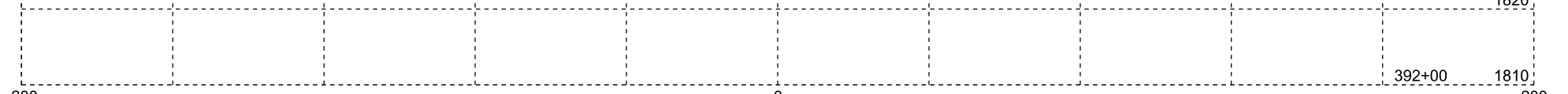
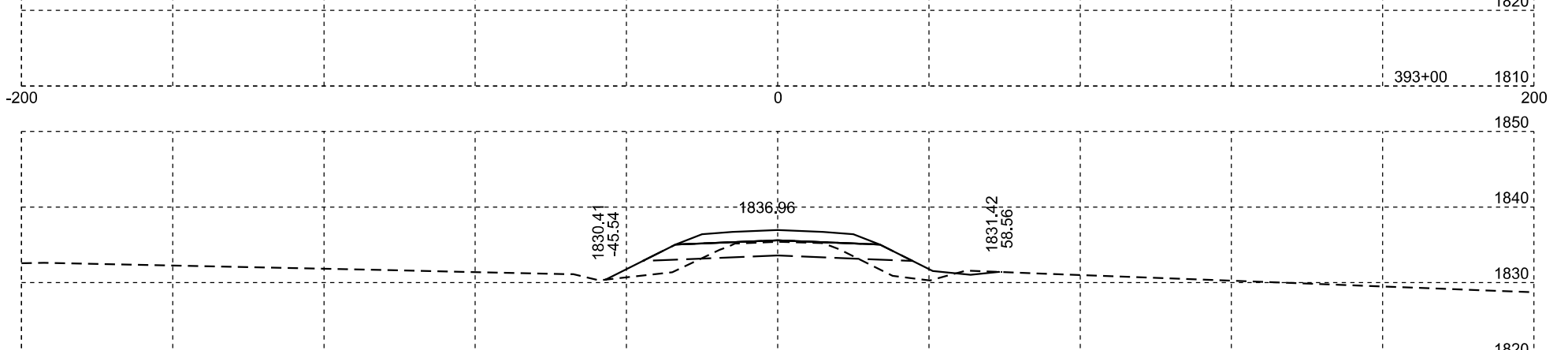
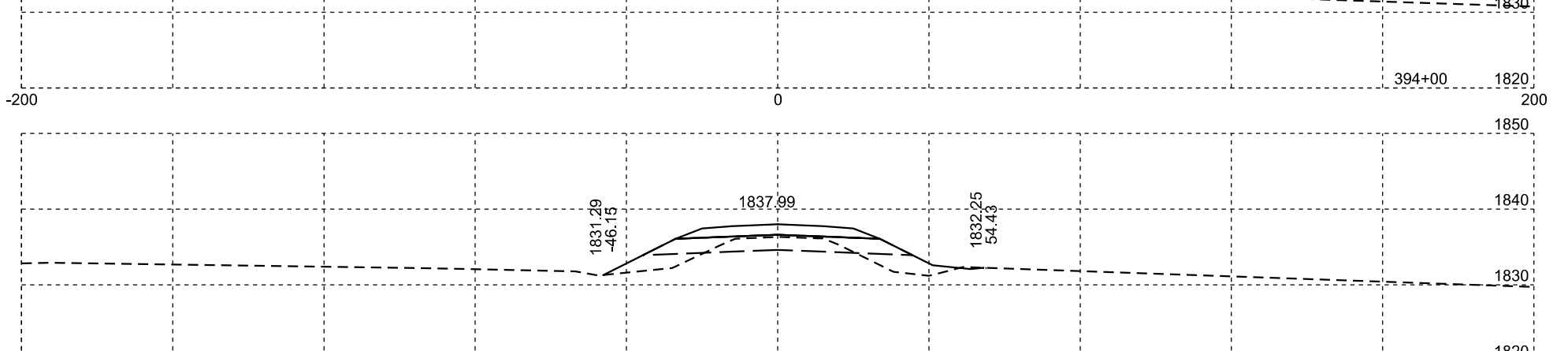
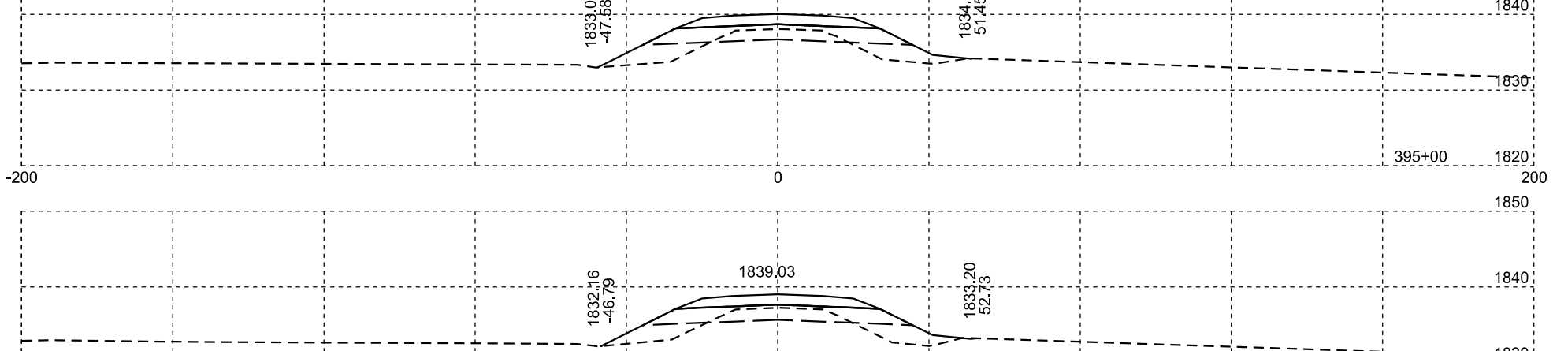
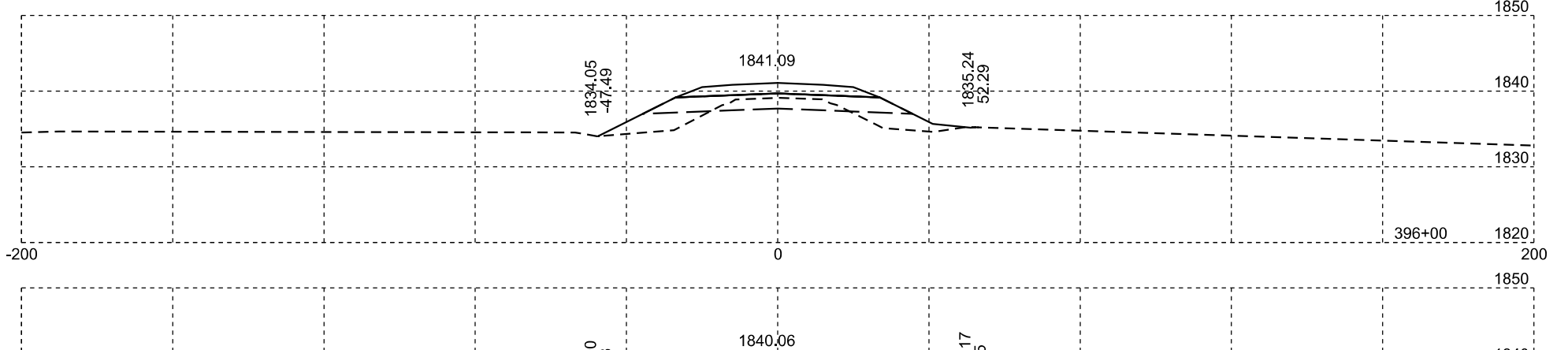
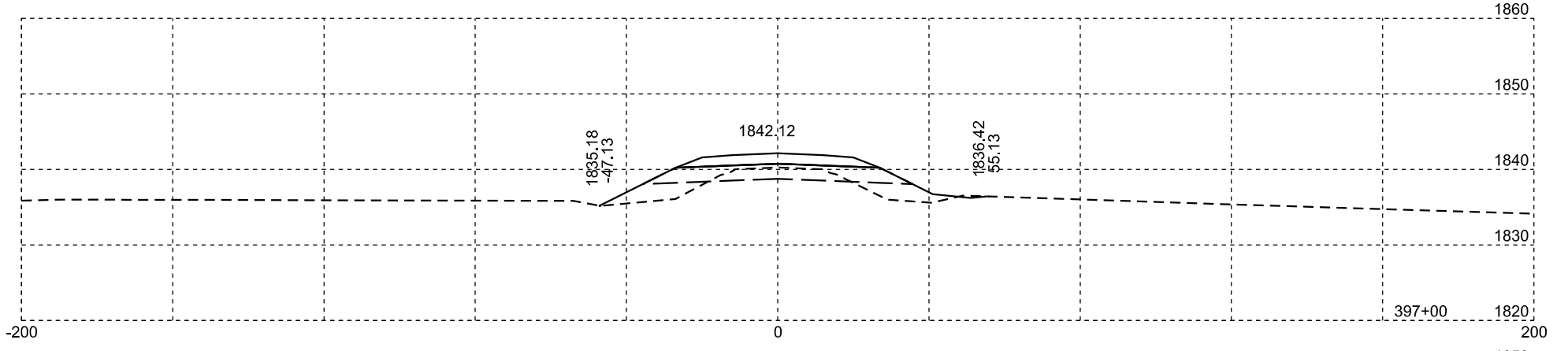
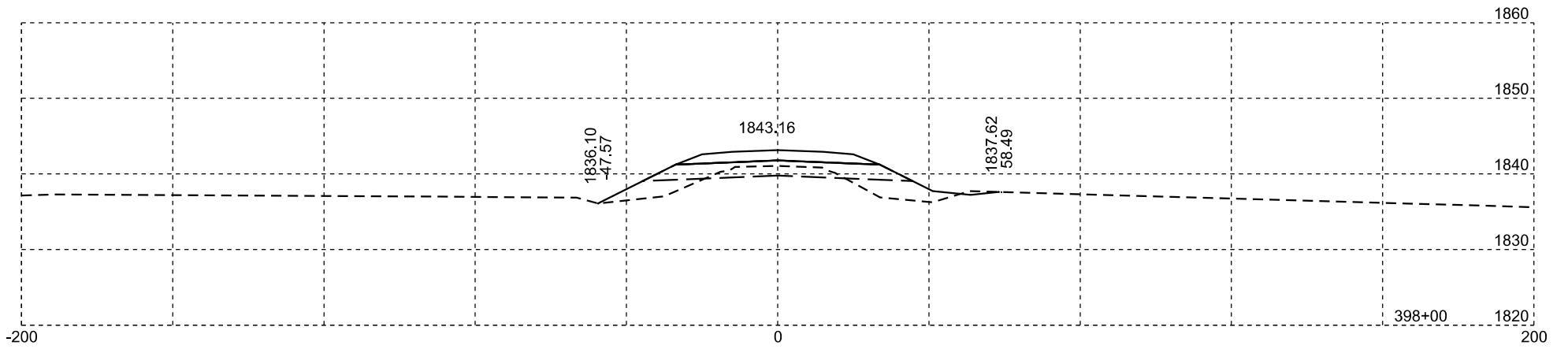
Plotting Date: 10/23/2024

STATE OF SOUTH DAKOTA	PROJECT	SHEET NO.	TOTAL SHEETS
	PH 0028(36)355	X77	X134



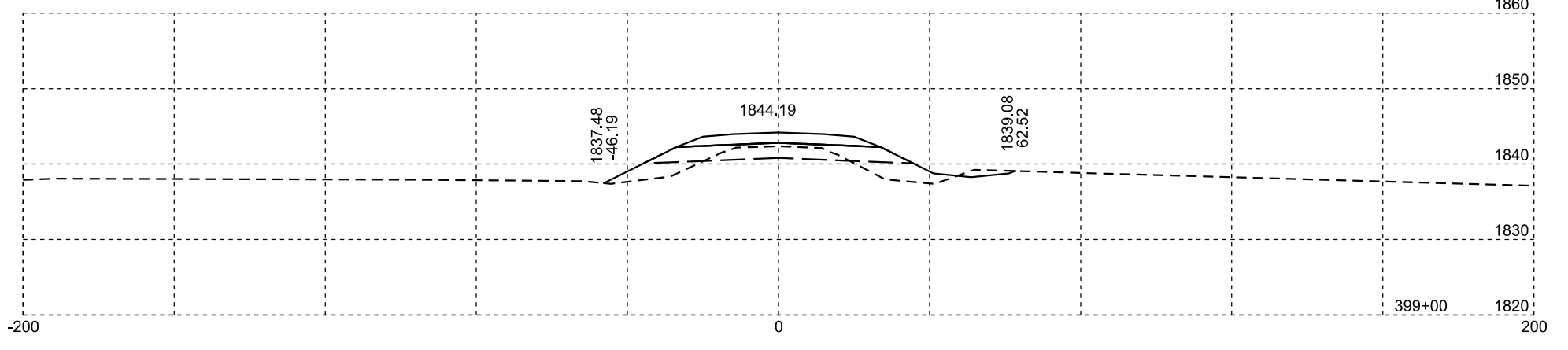
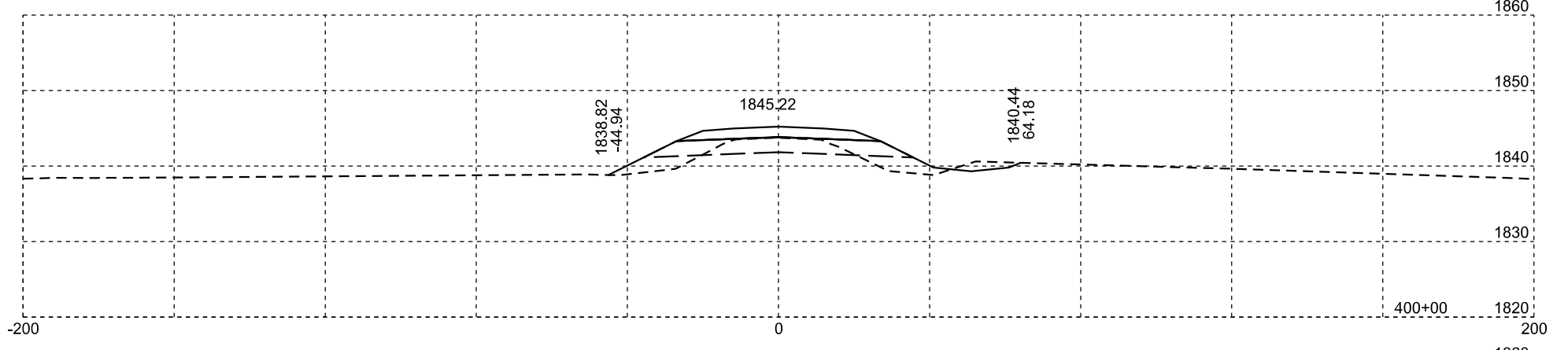
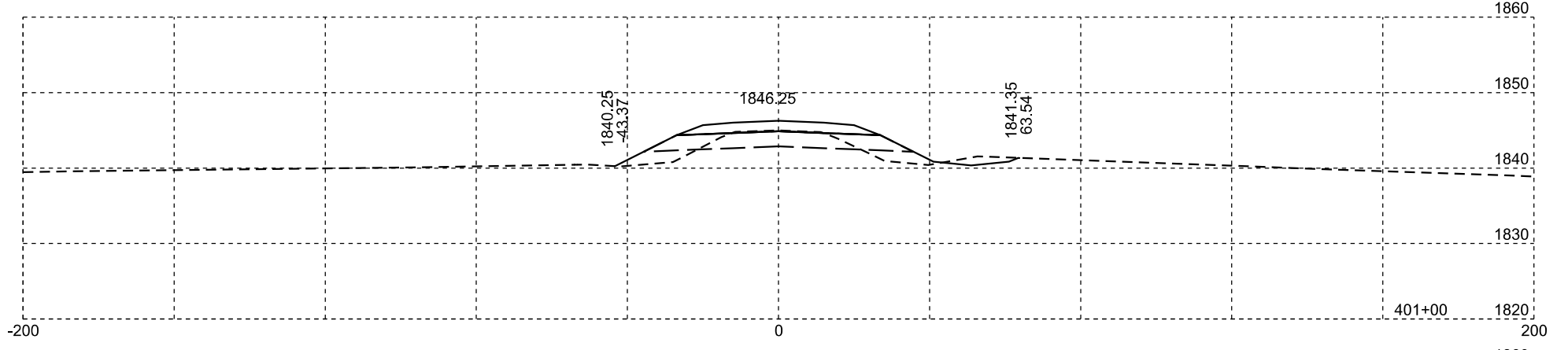
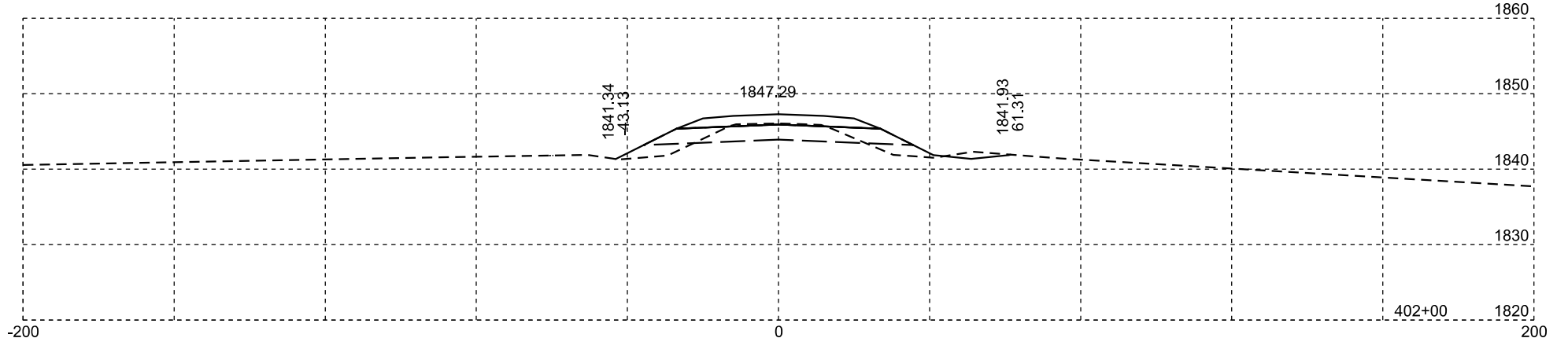
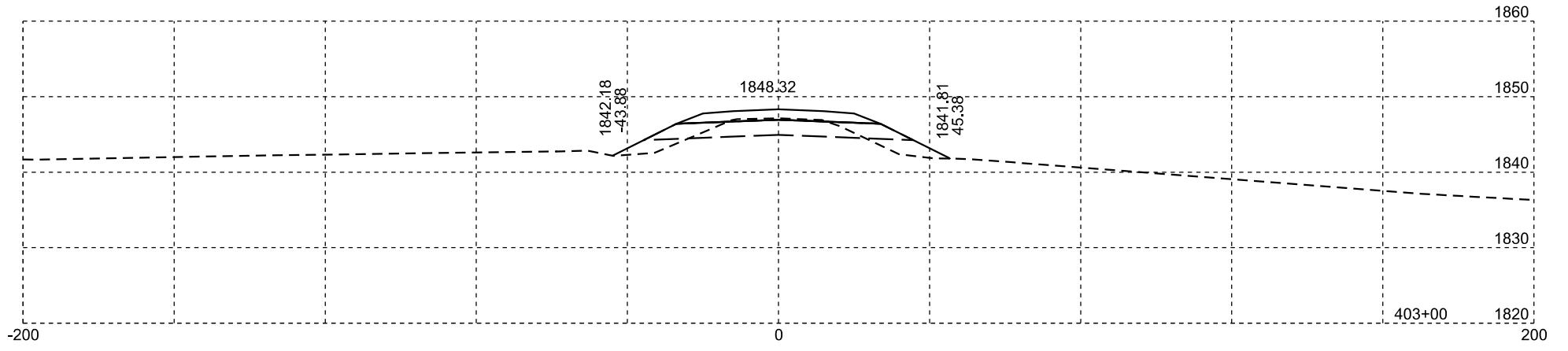
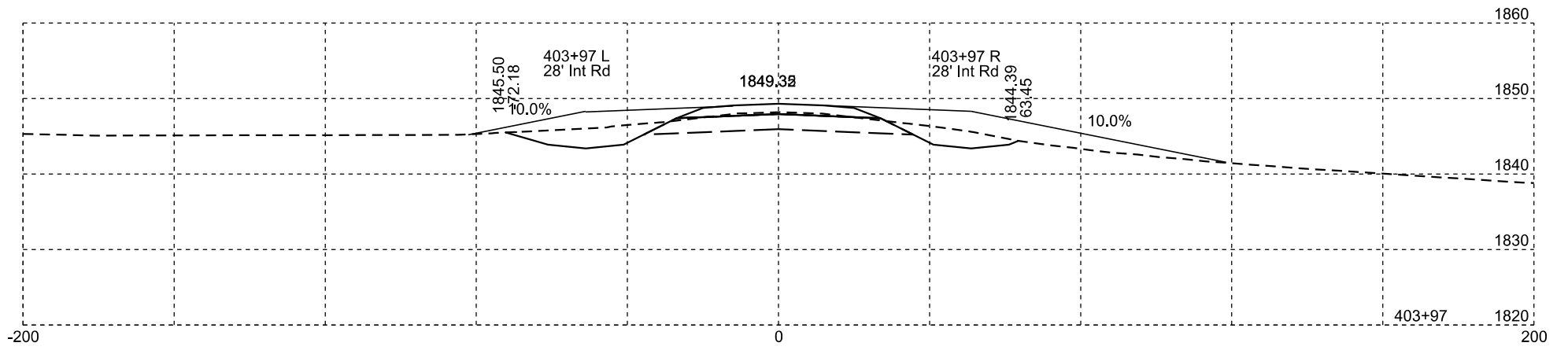
Plotting Date: 10/23/2024

STATE OF SOUTH DAKOTA	PROJECT	SHEET NO.	TOTAL SHEETS
	PH 0028(36)355	X78	X134



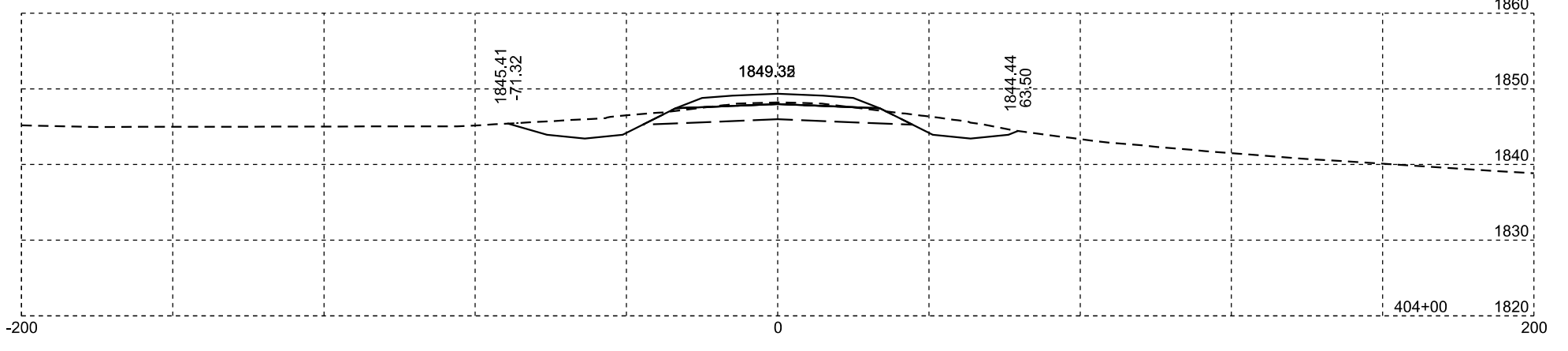
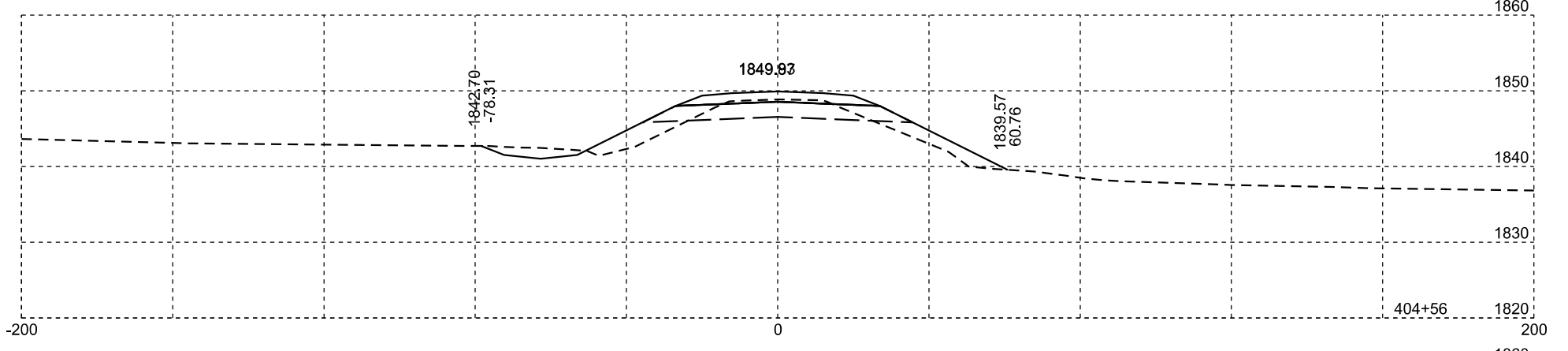
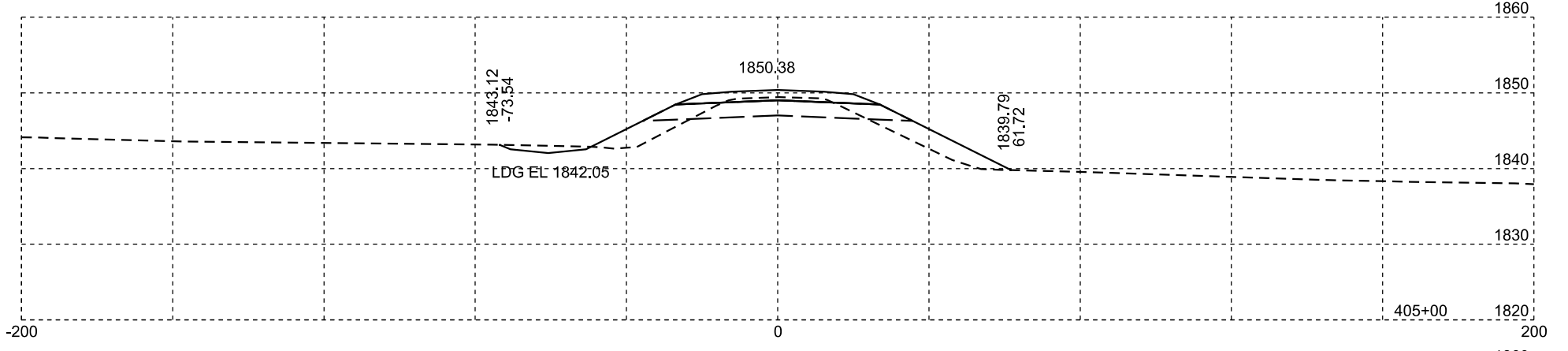
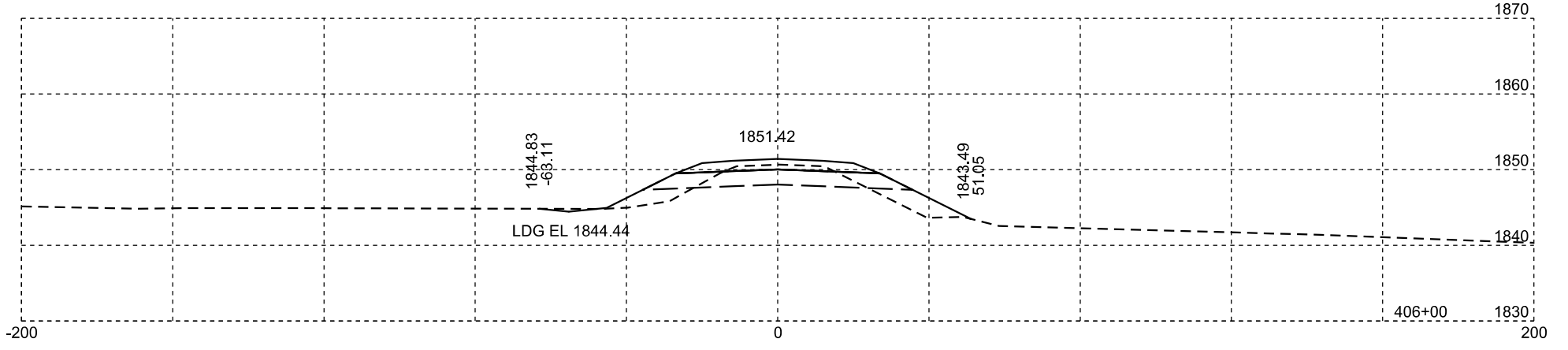
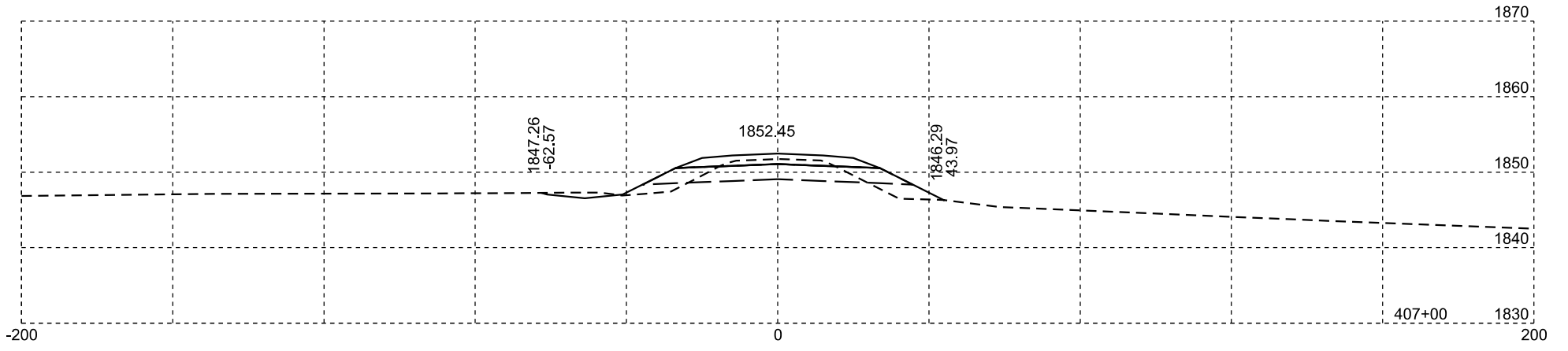
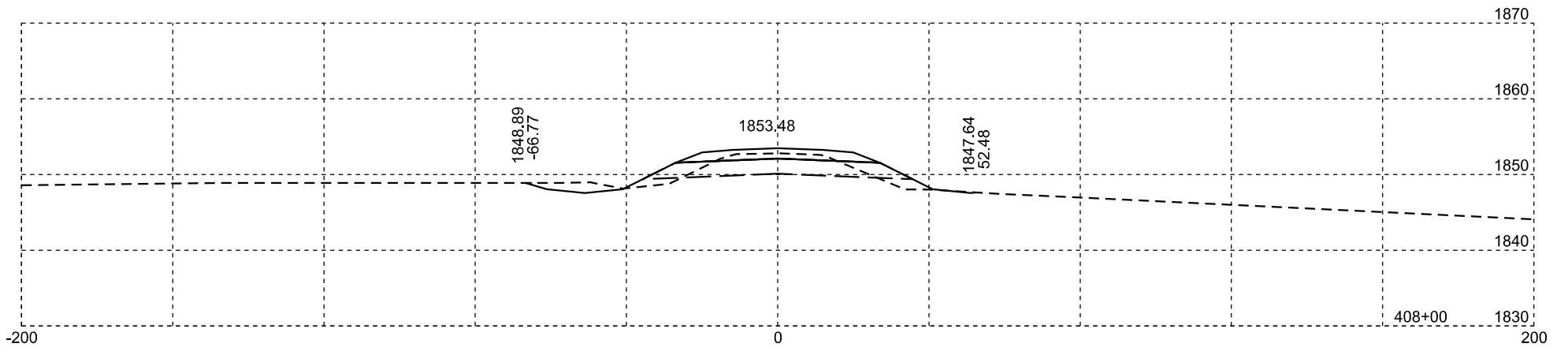
Plotting Date: 10/23/2024

STATE OF SOUTH DAKOTA	PROJECT	SHEET NO.	TOTAL SHEETS
	PH 0028(36)355	X79	X134



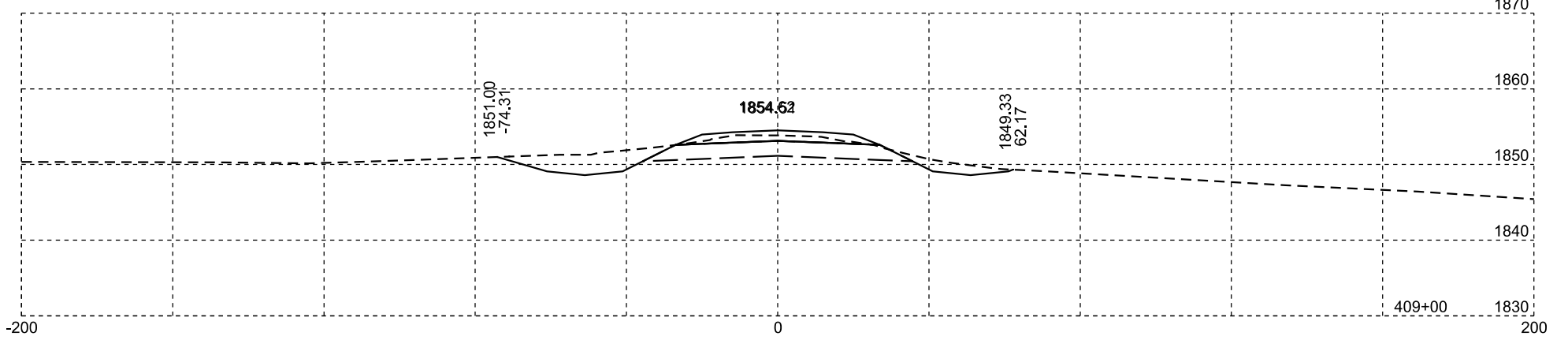
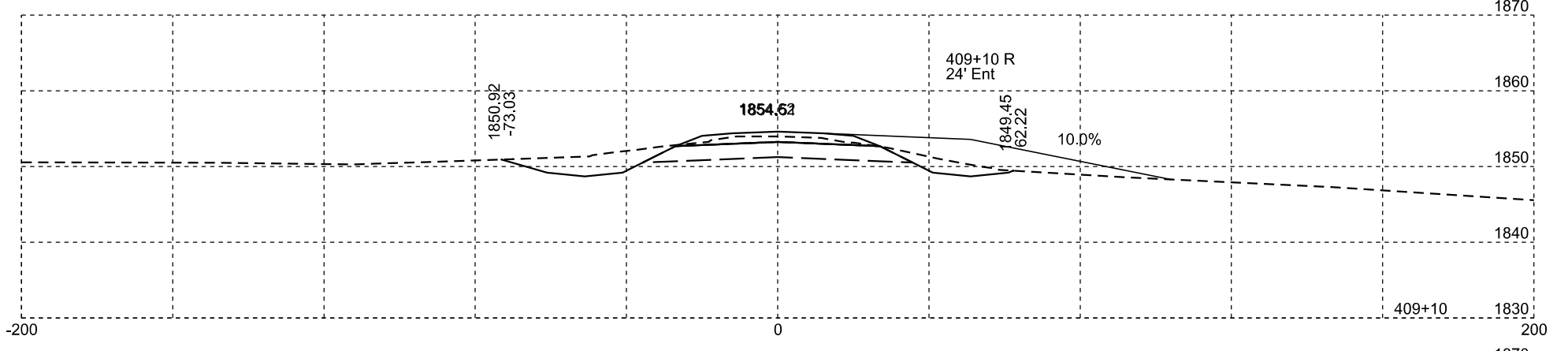
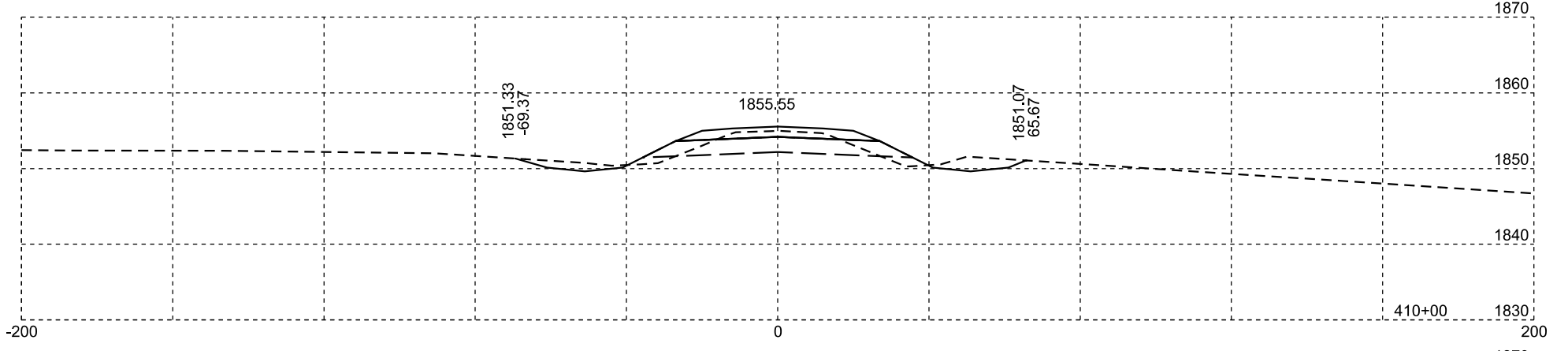
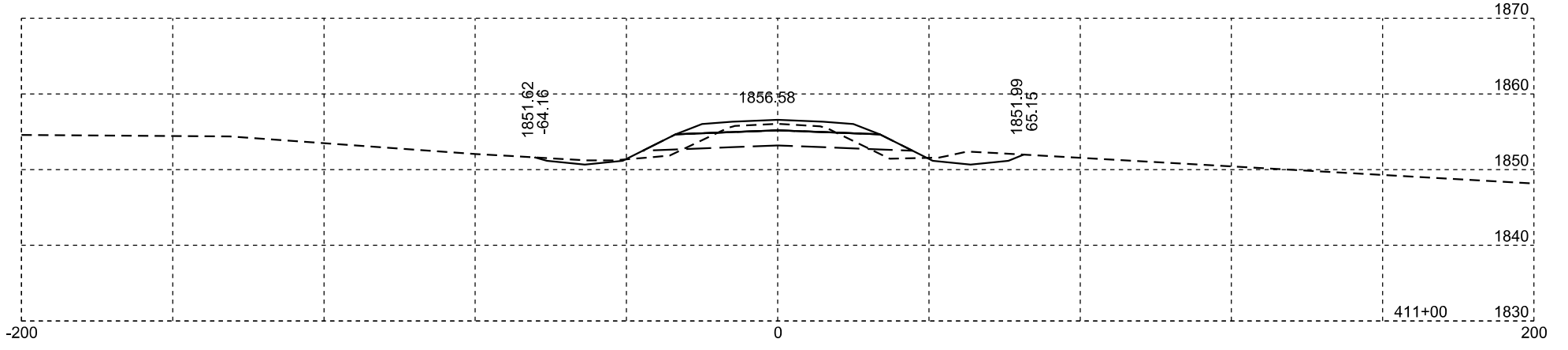
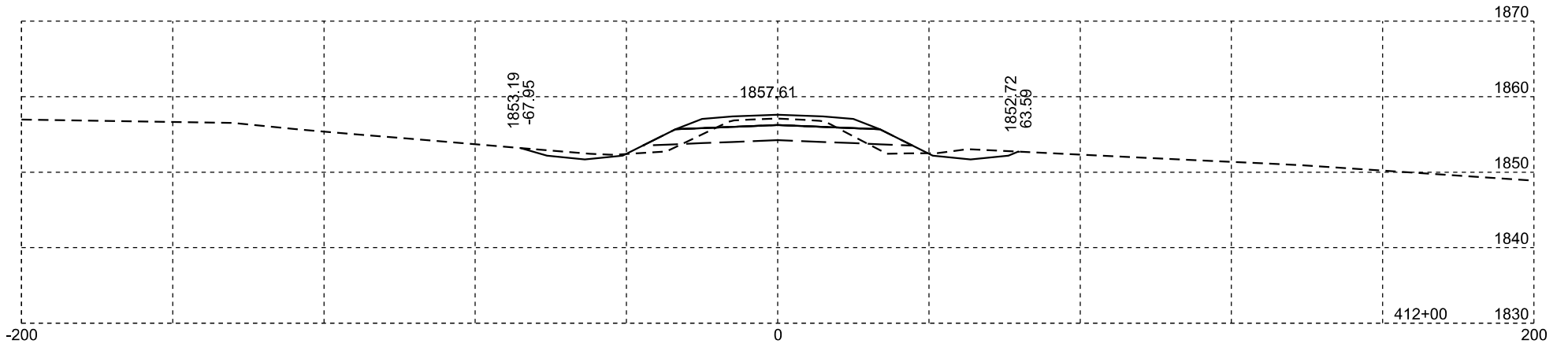
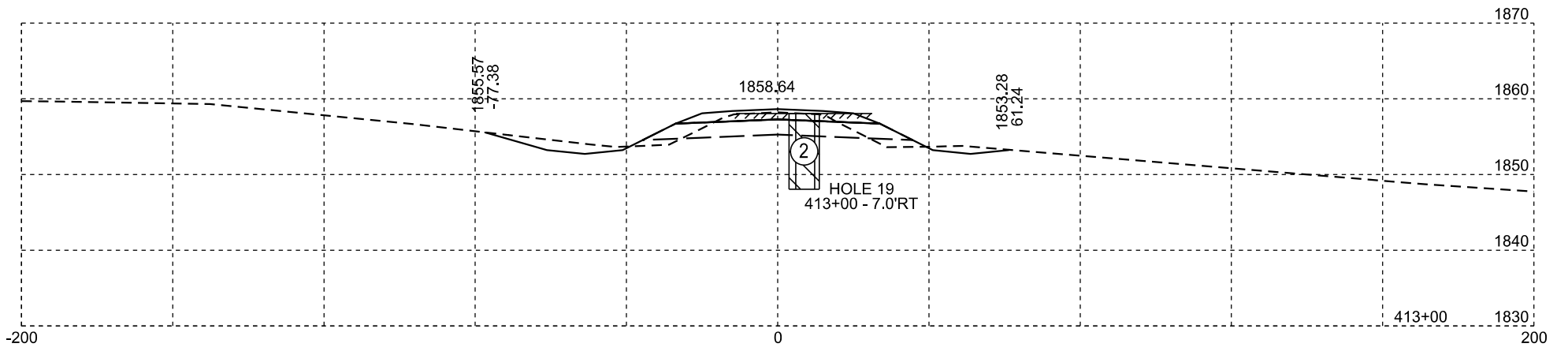
Plotting Date: 10/23/2024

STATE OF SOUTH DAKOTA	PROJECT	SHEET NO.	TOTAL SHEETS
	PH 0028(36)355	X80	X134



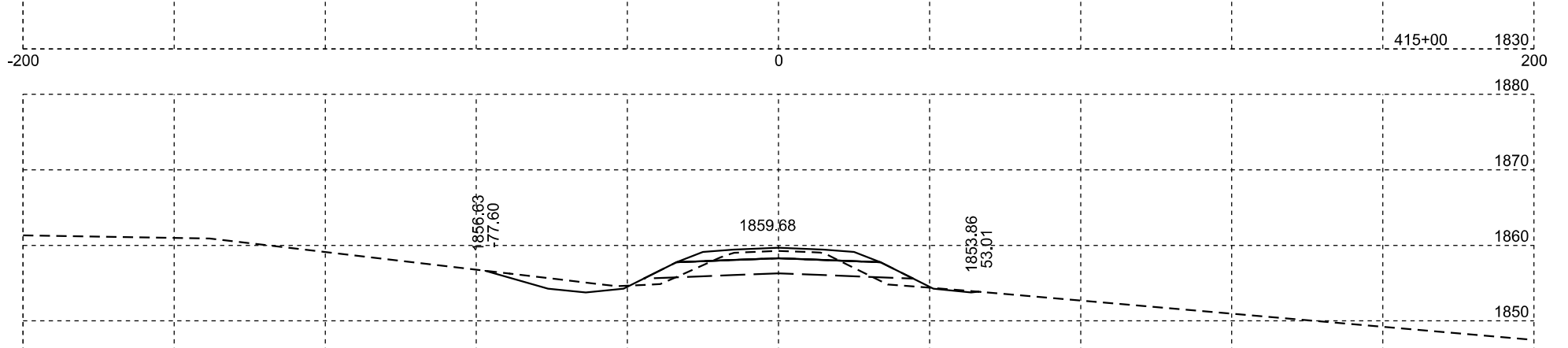
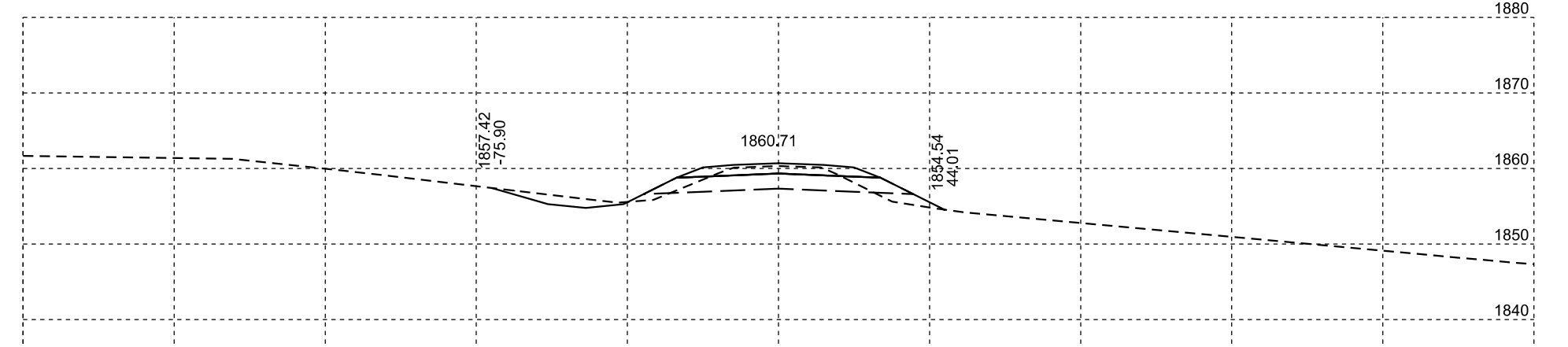
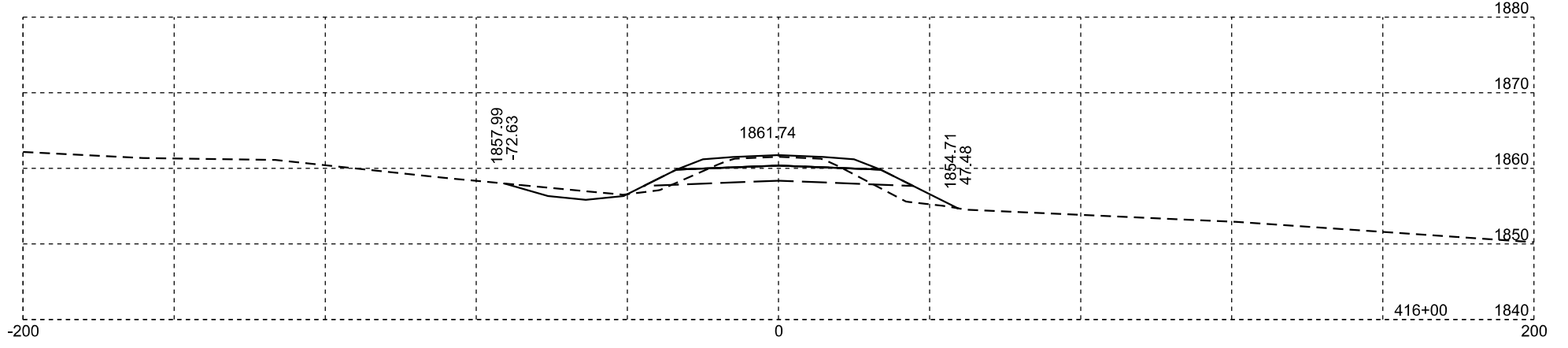
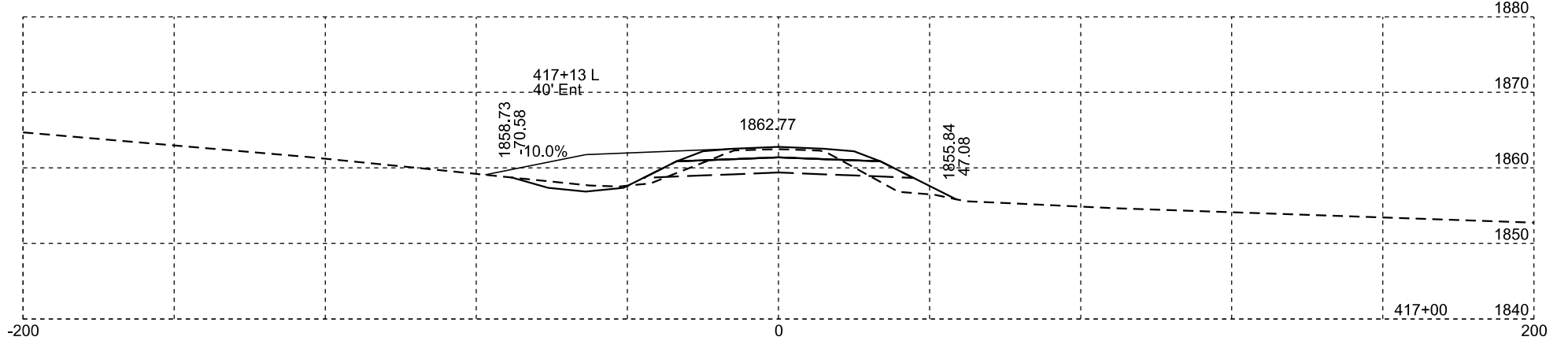
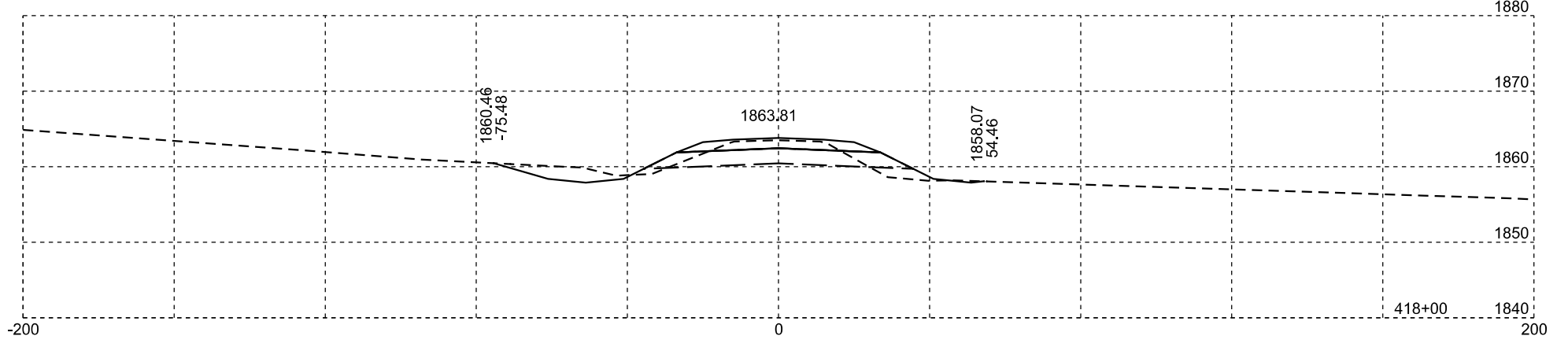
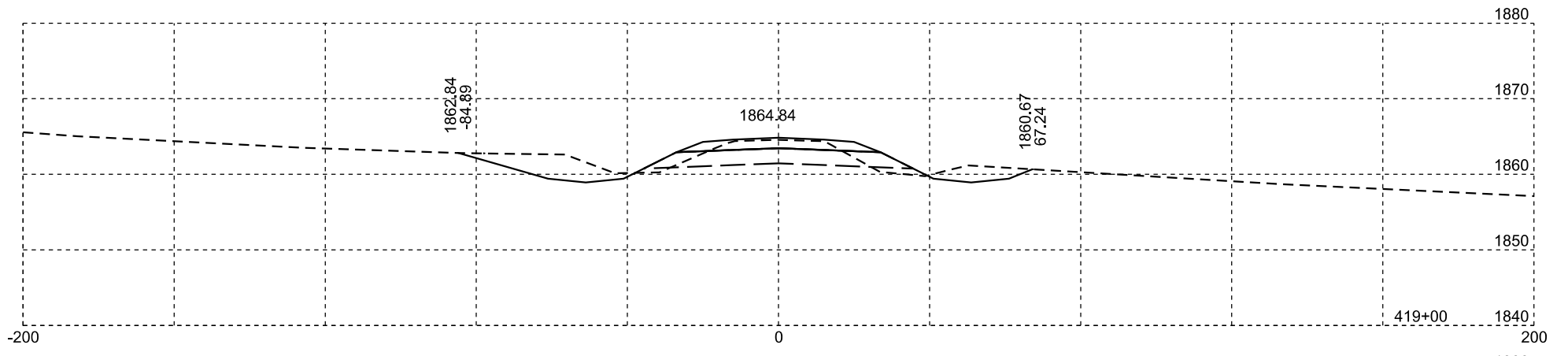
Plotting Date: 10/23/2024

STATE OF SOUTH DAKOTA	PROJECT	SHEET NO.	TOTAL SHEETS
	PH 0028(36)355	X81	X134



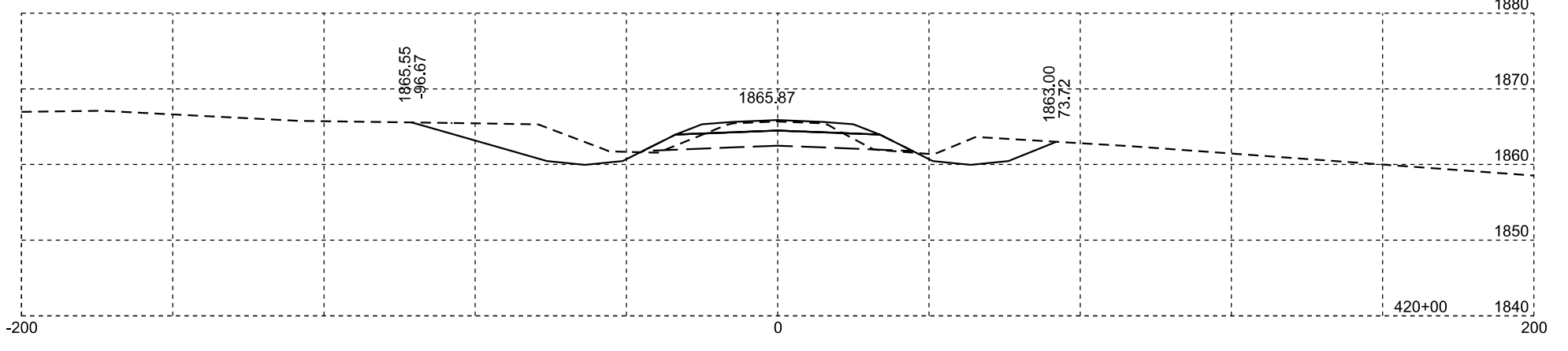
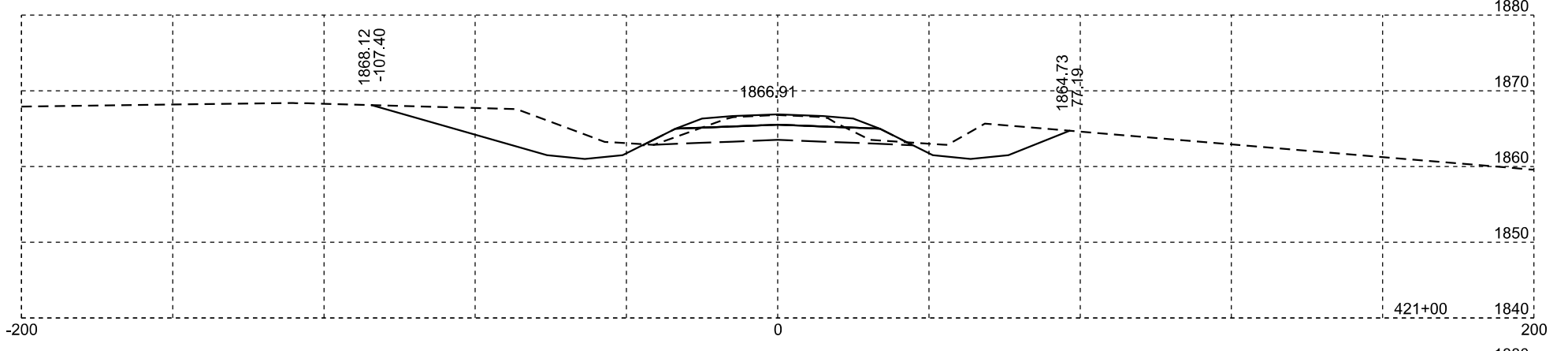
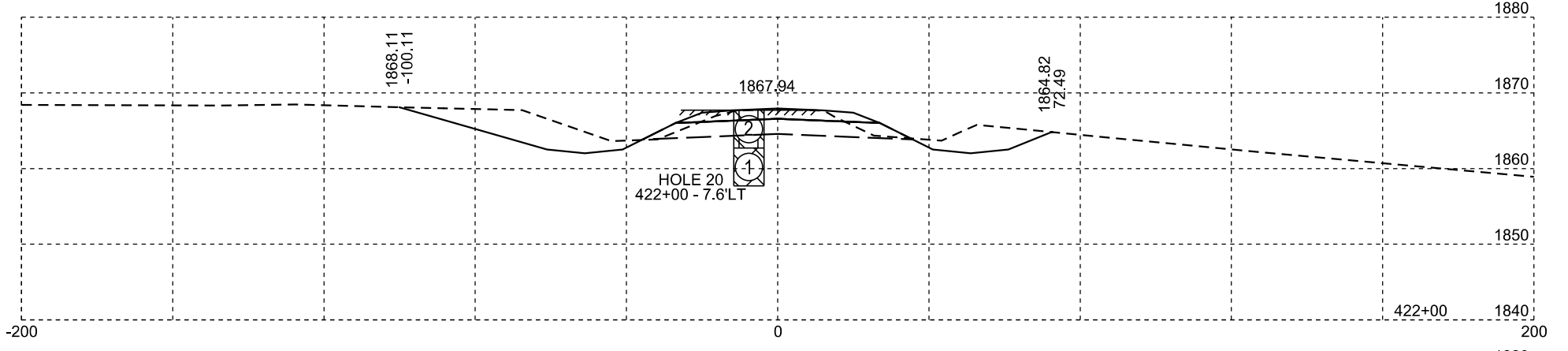
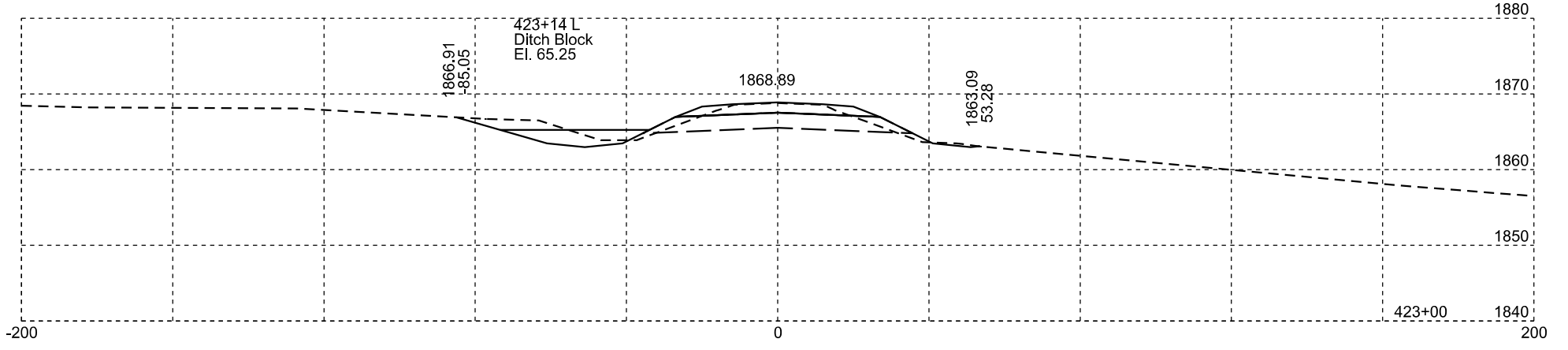
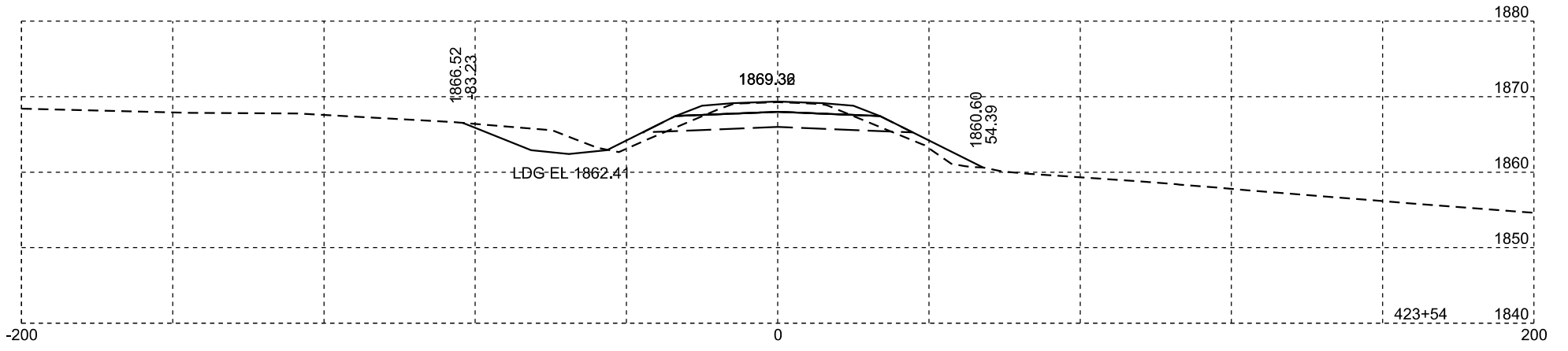
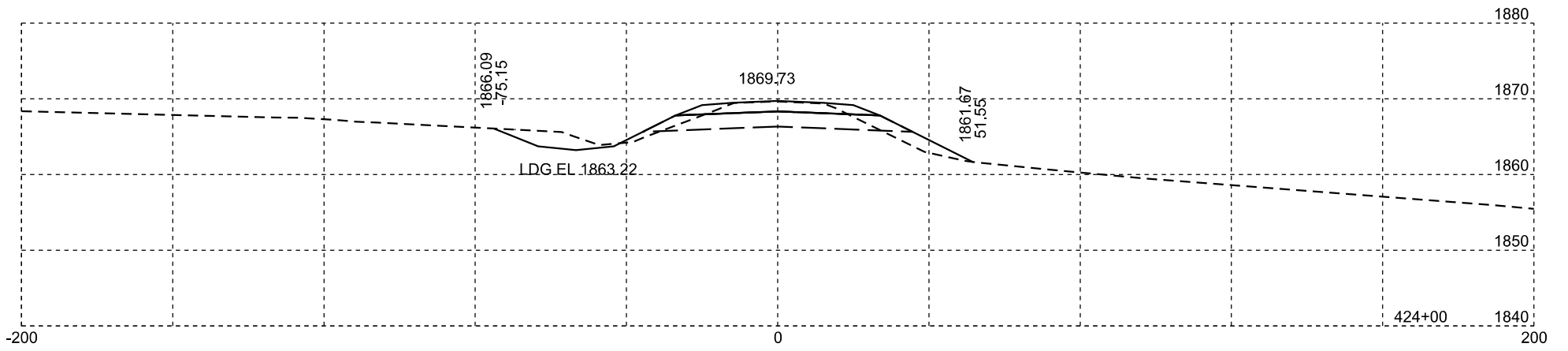
Plotting Date: 10/23/2024

STATE OF SOUTH DAKOTA	PROJECT	SHEET NO.	TOTAL SHEETS
	PH 0028(36)355	X82	X134



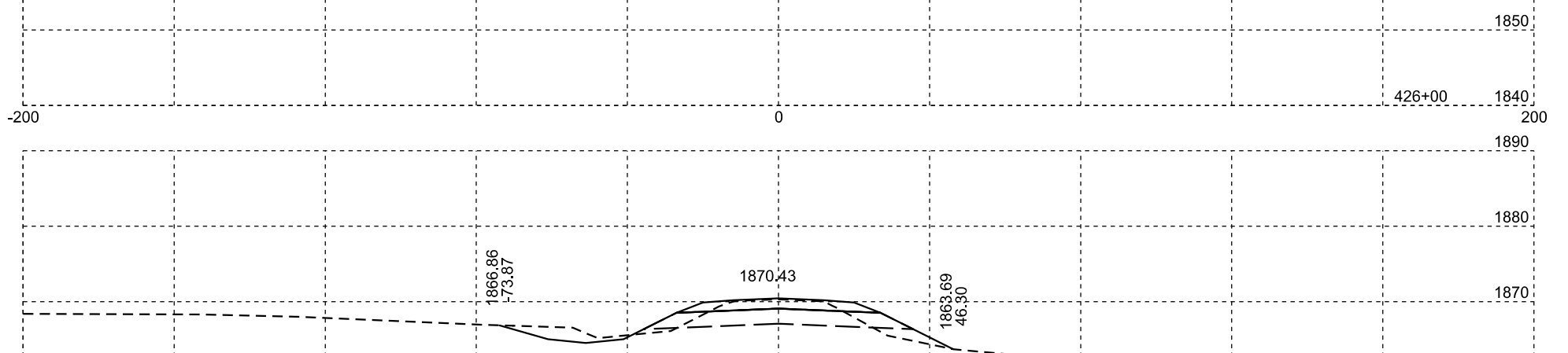
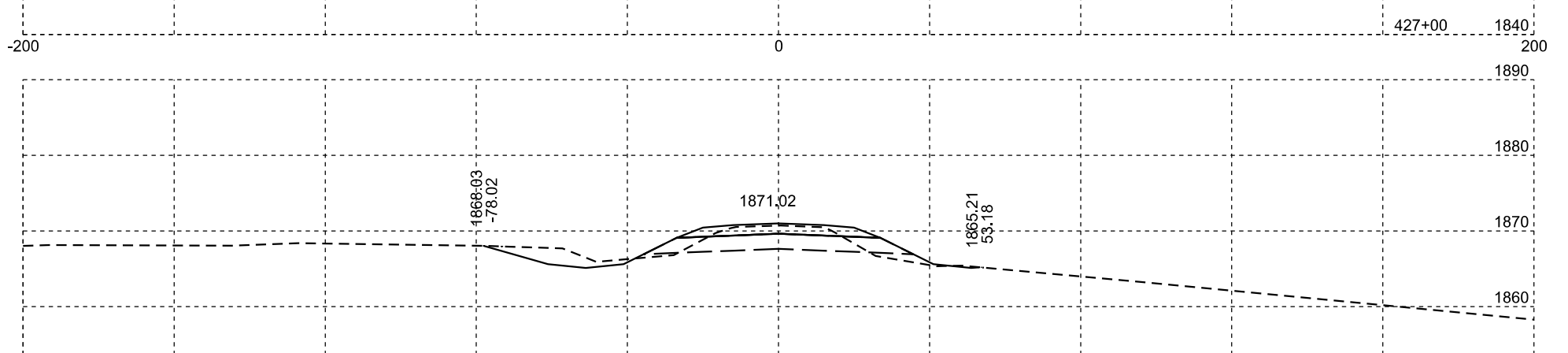
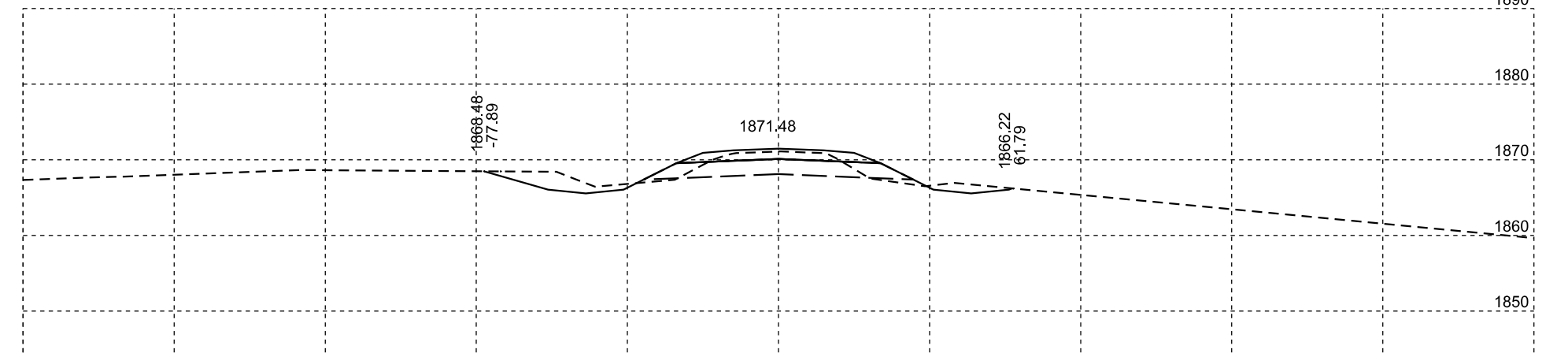
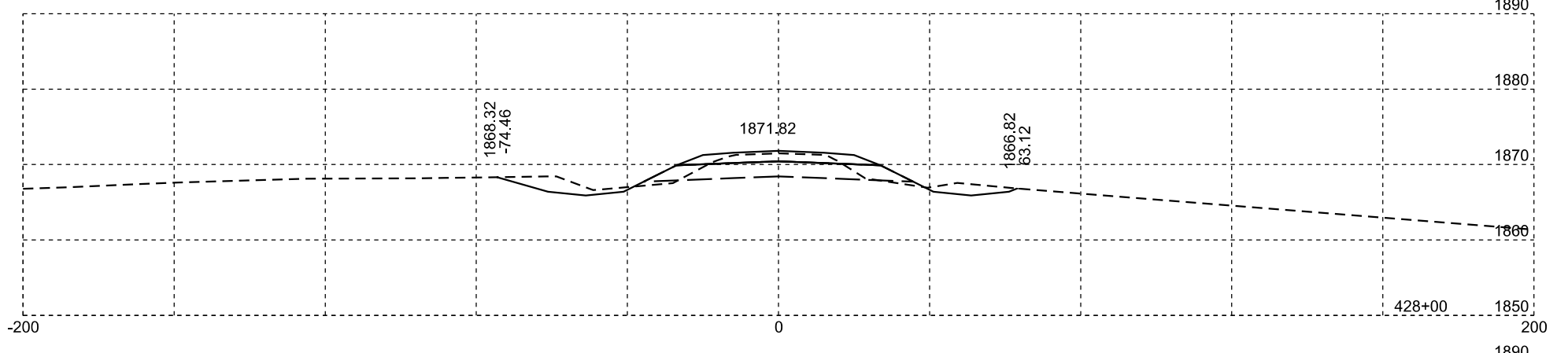
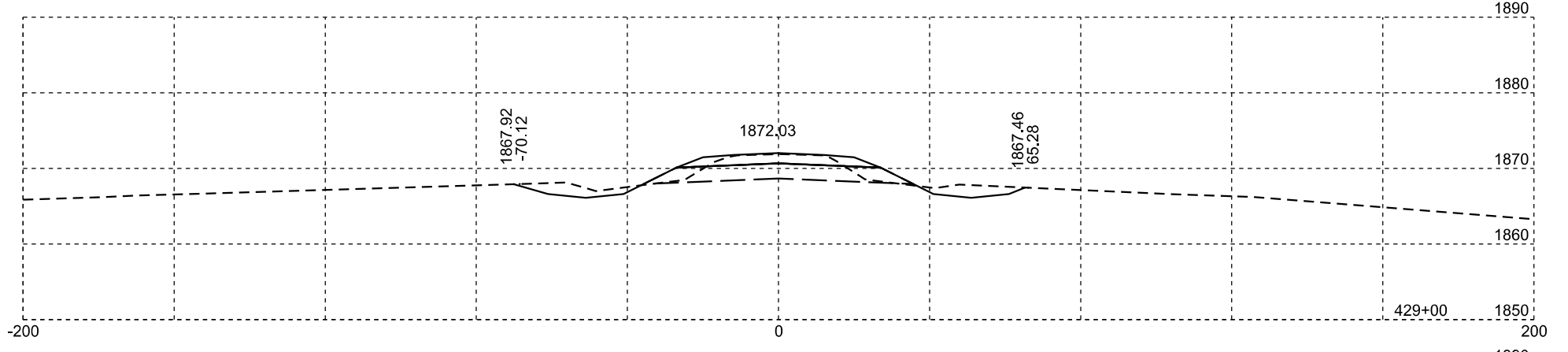
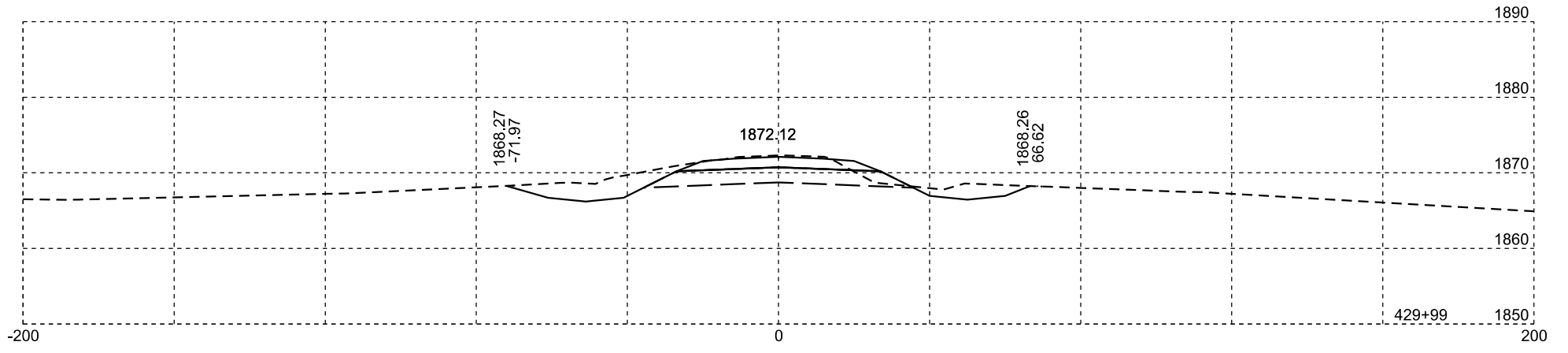
Plotting Date: 10/23/2024

STATE OF SOUTH DAKOTA	PROJECT	SHEET NO.	TOTAL SHEETS
	PH 0028(36)355	X83	X134



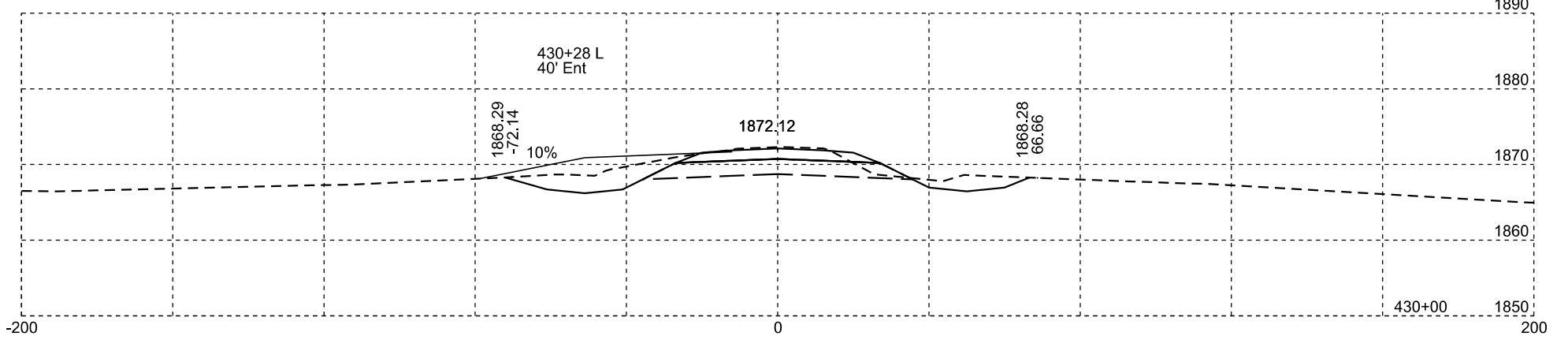
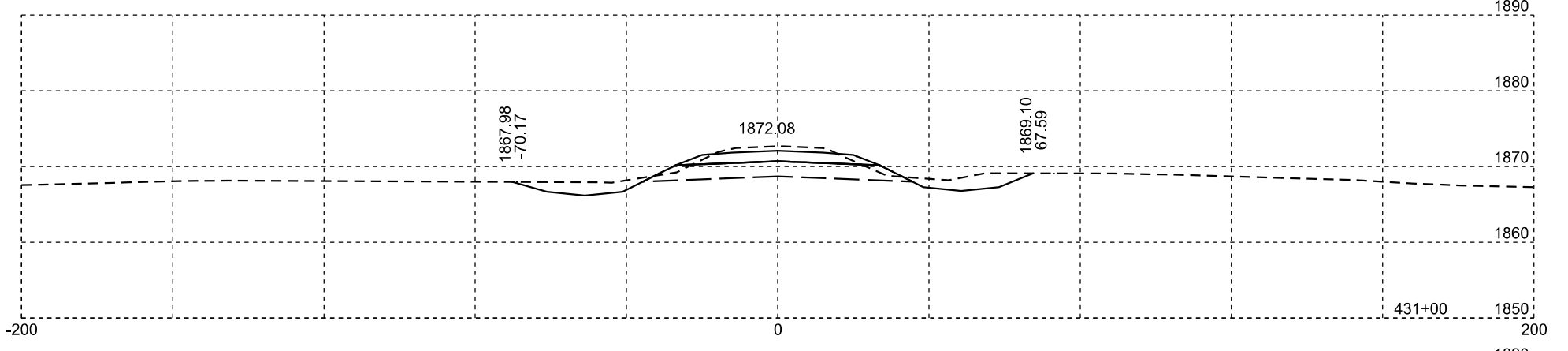
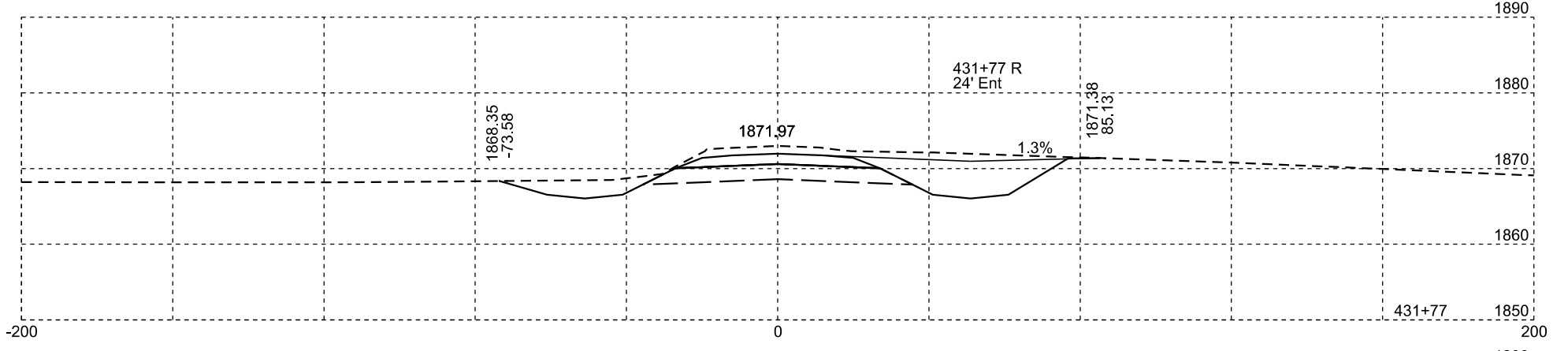
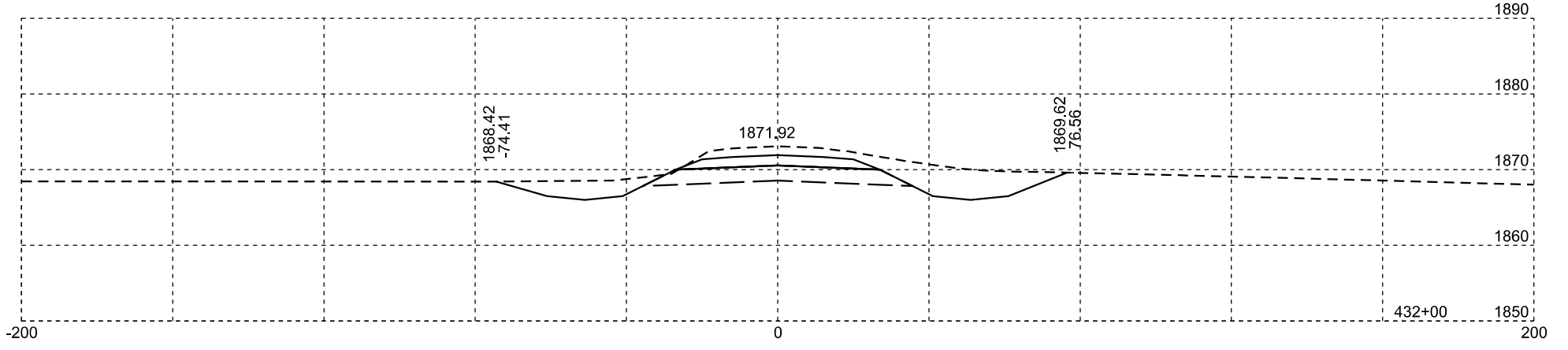
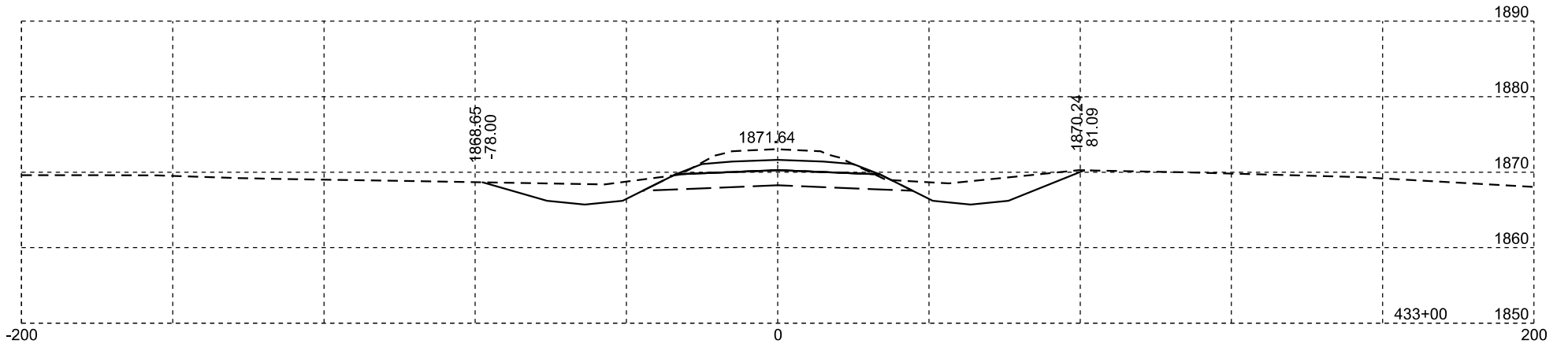
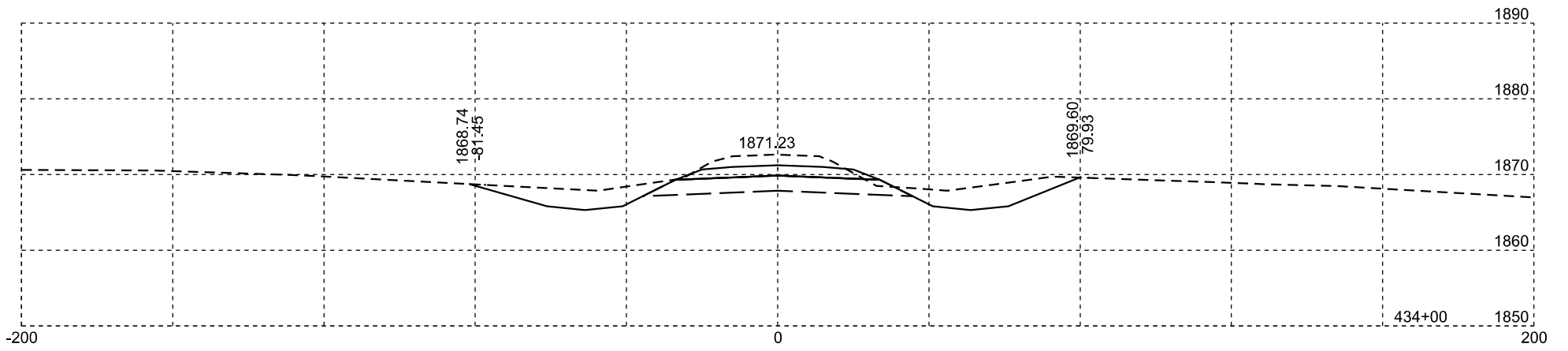
Plotting Date: 10/23/2024

STATE OF SOUTH DAKOTA	PROJECT	SHEET NO.	TOTAL SHEETS
	PH 0028(36)355	X84	X134



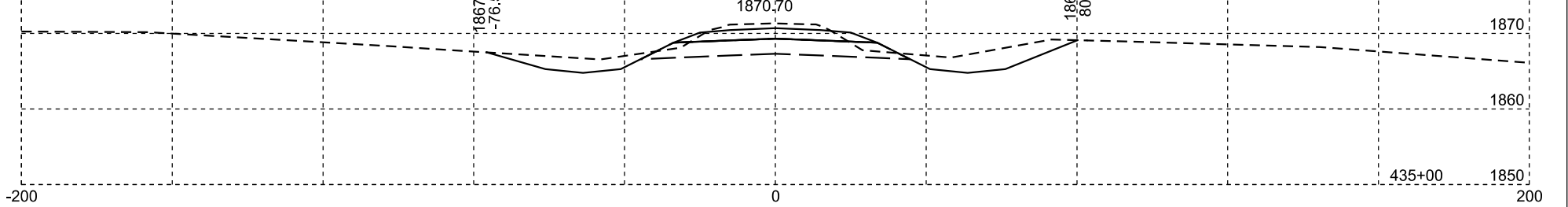
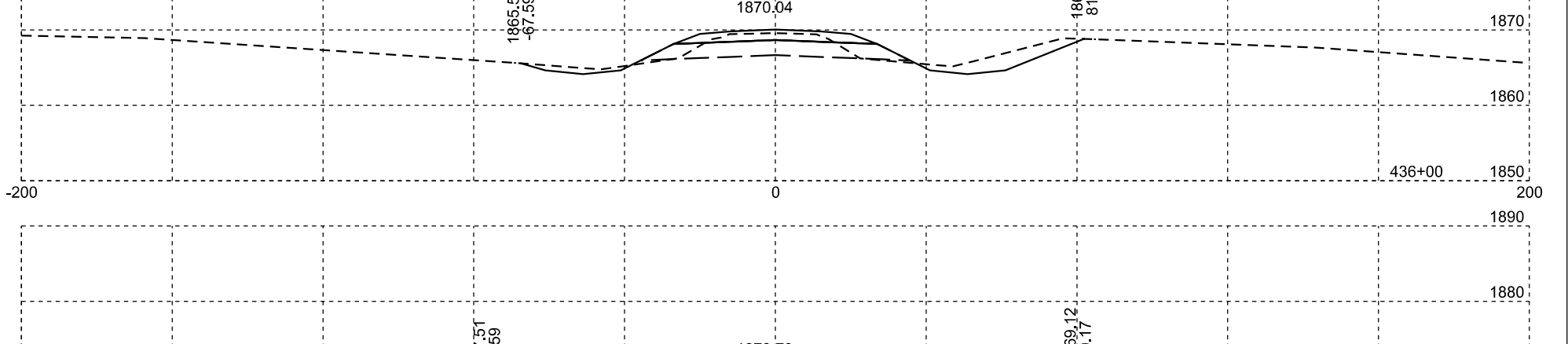
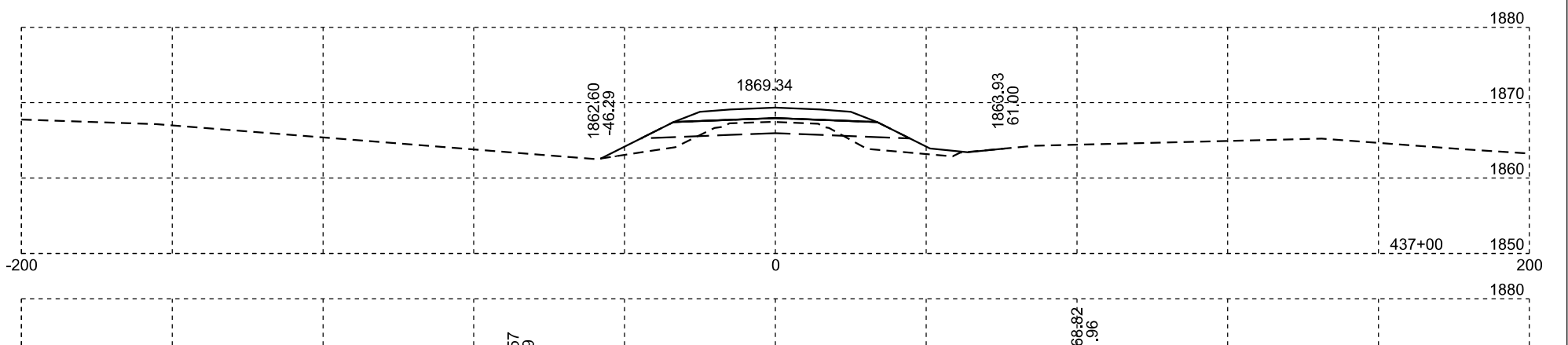
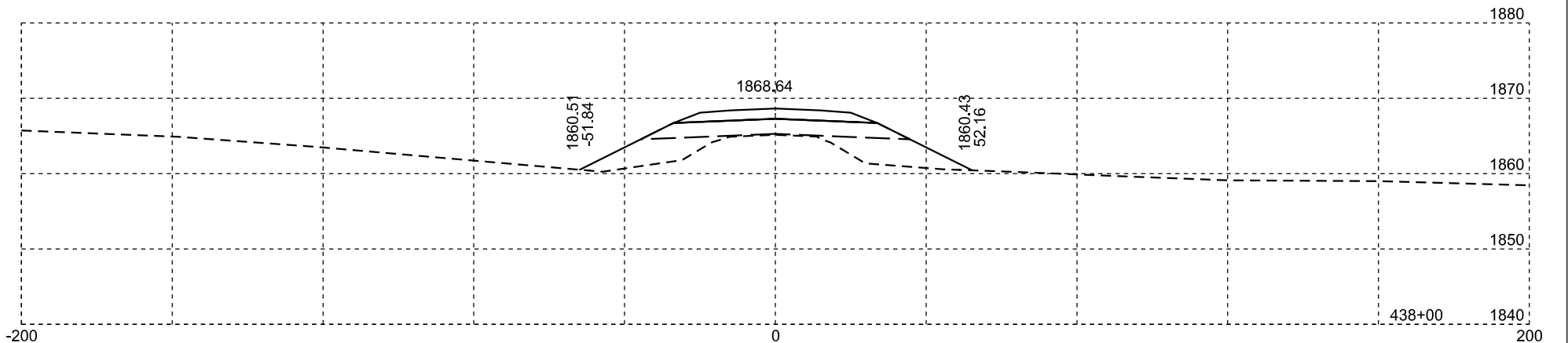
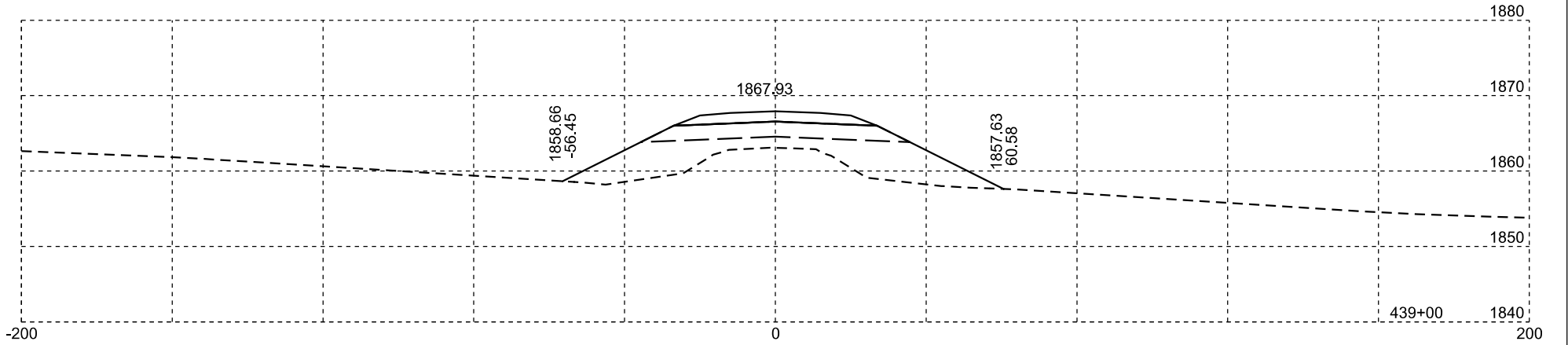
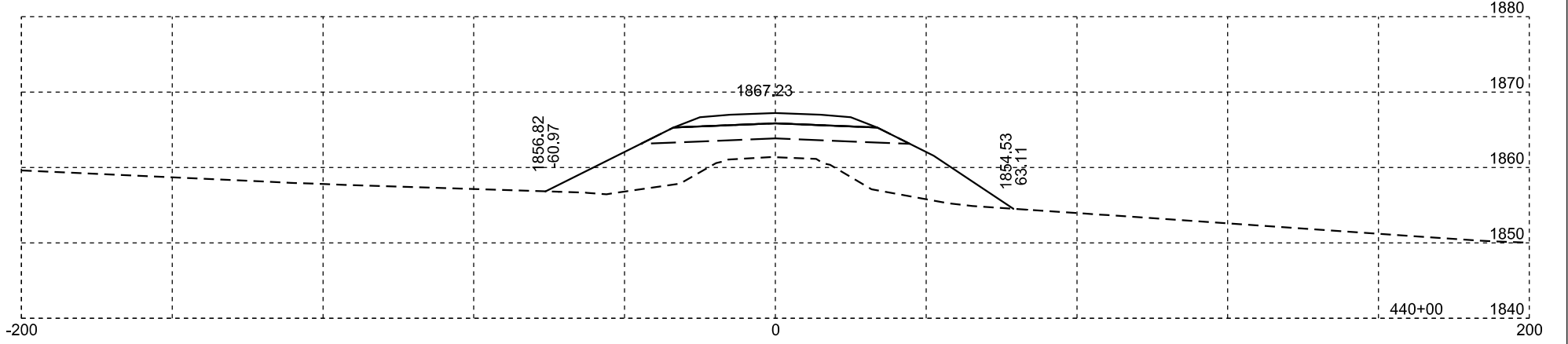
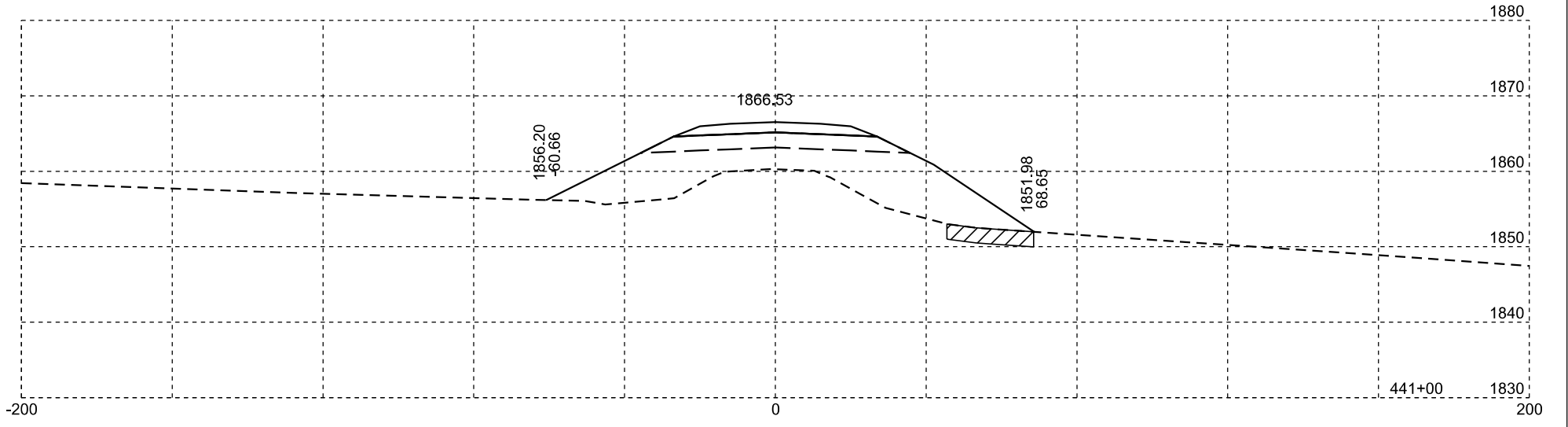
Plotting Date: 10/23/2024

STATE OF SOUTH DAKOTA	PROJECT	SHEET NO.	TOTAL SHEETS
	PH 0028(36)355	X85	X134



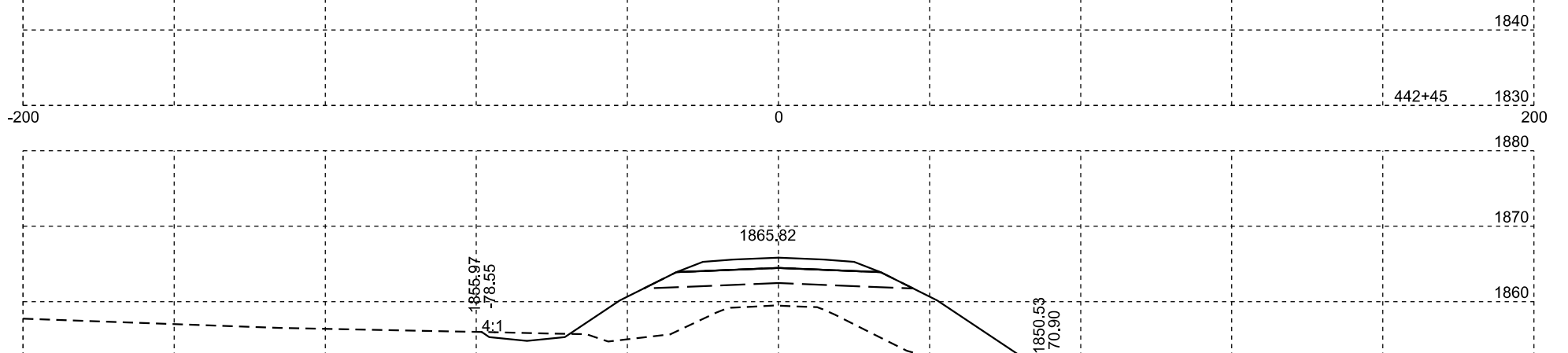
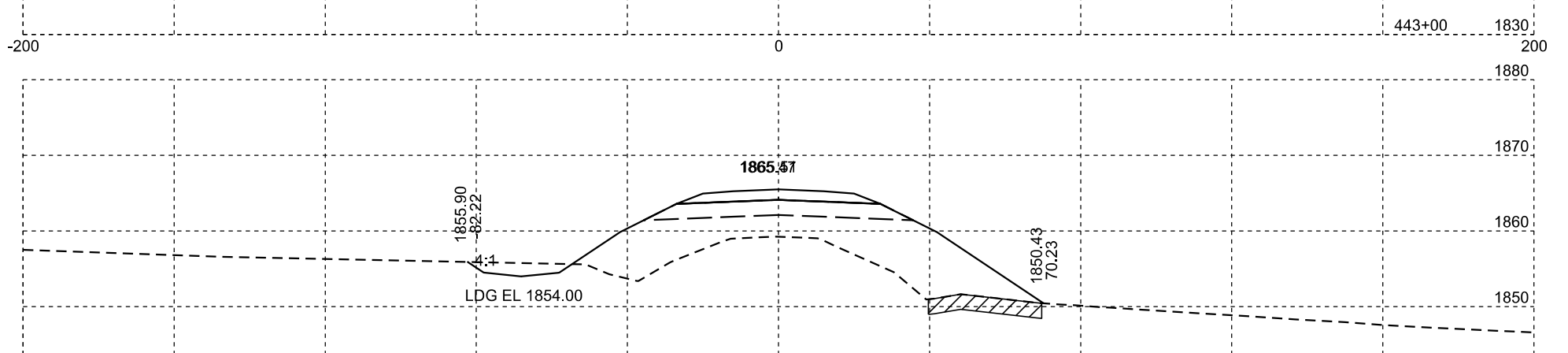
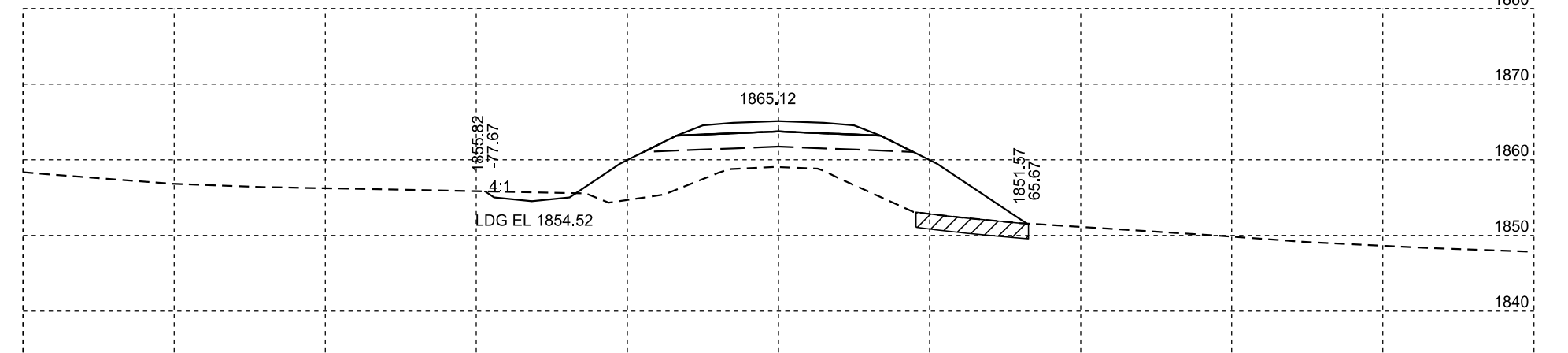
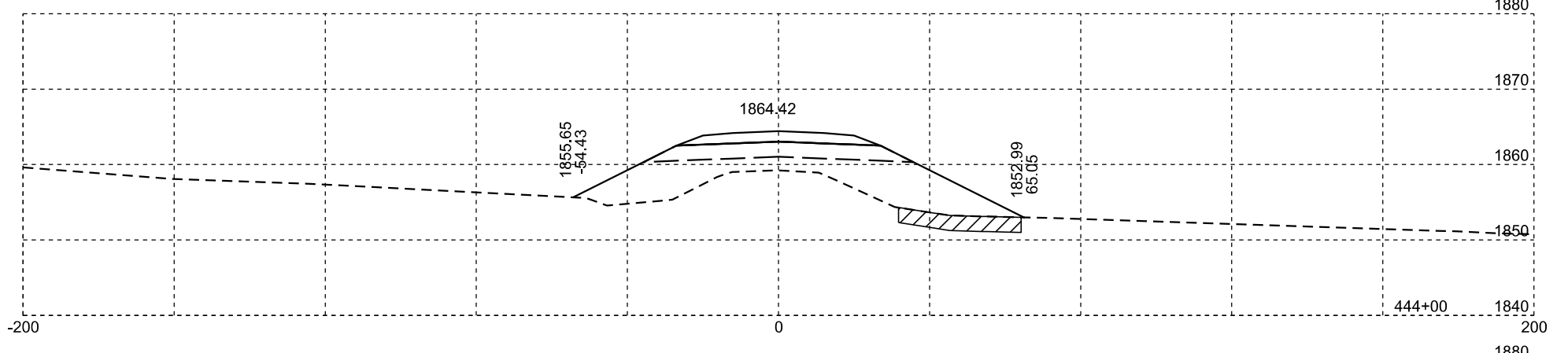
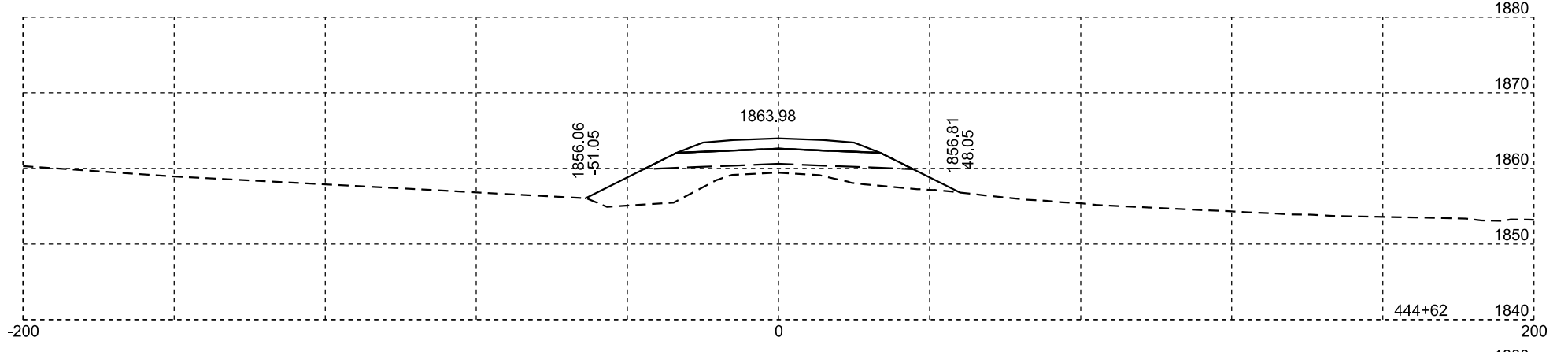
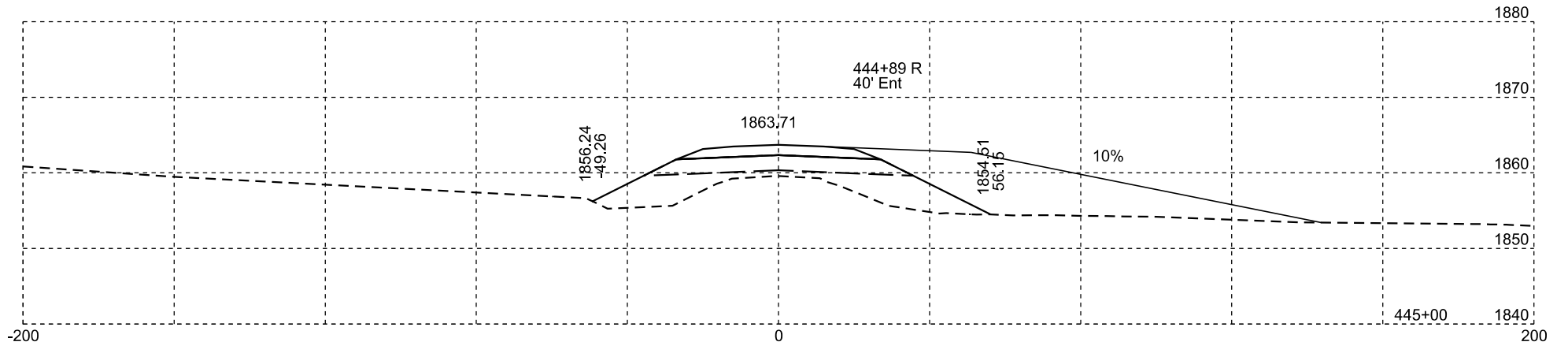
Plotting Date: 10/23/2024

STATE OF SOUTH DAKOTA	PROJECT	SHEET NO.	TOTAL SHEETS
	PH 0028(36)355	X86	X134



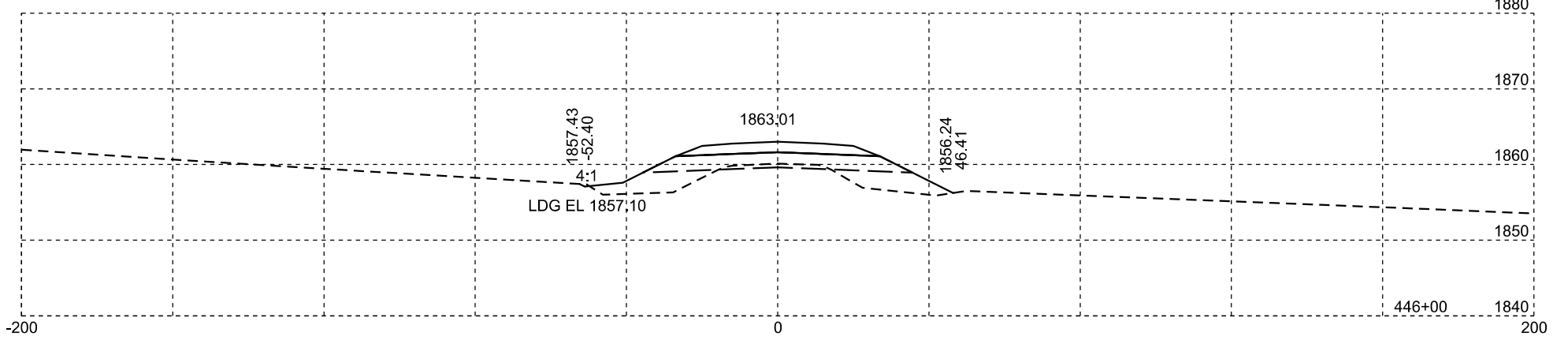
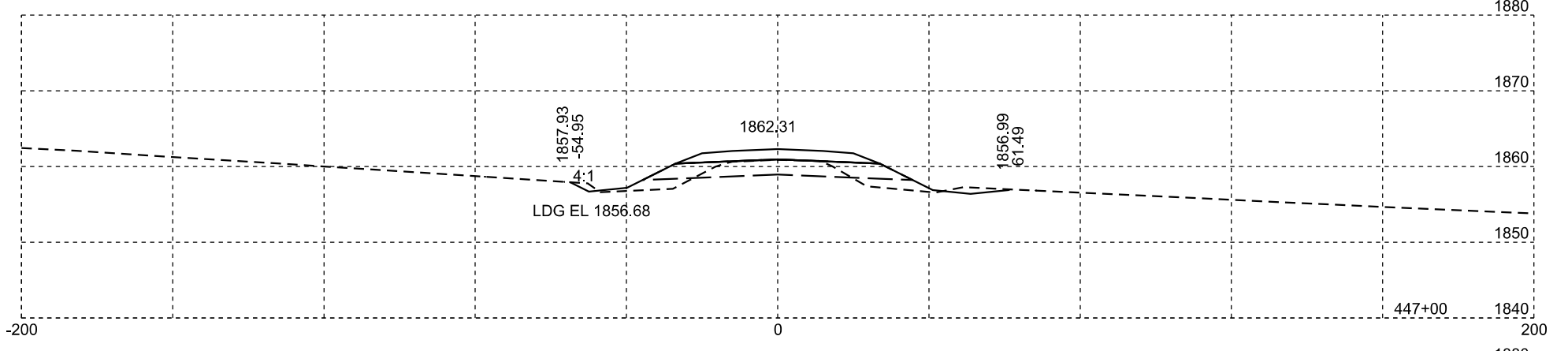
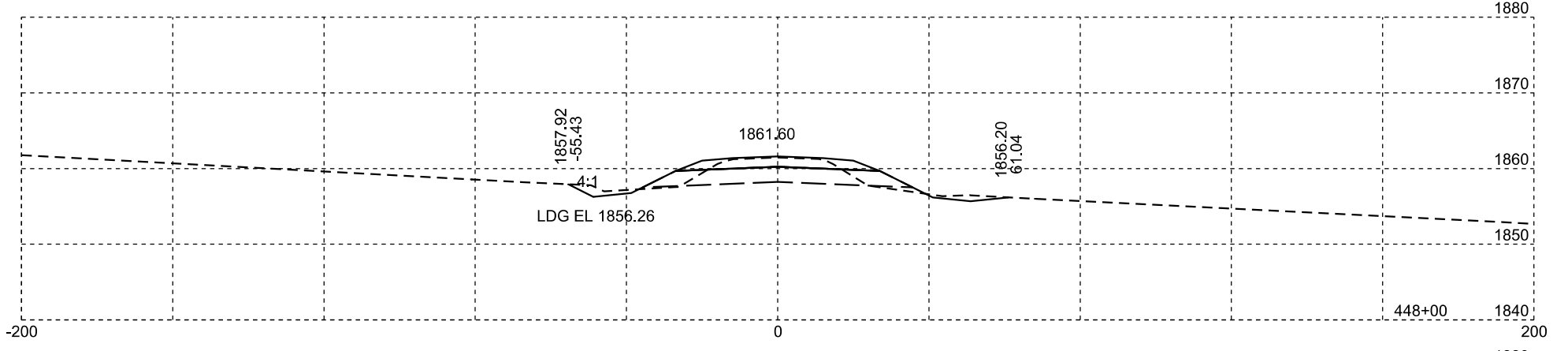
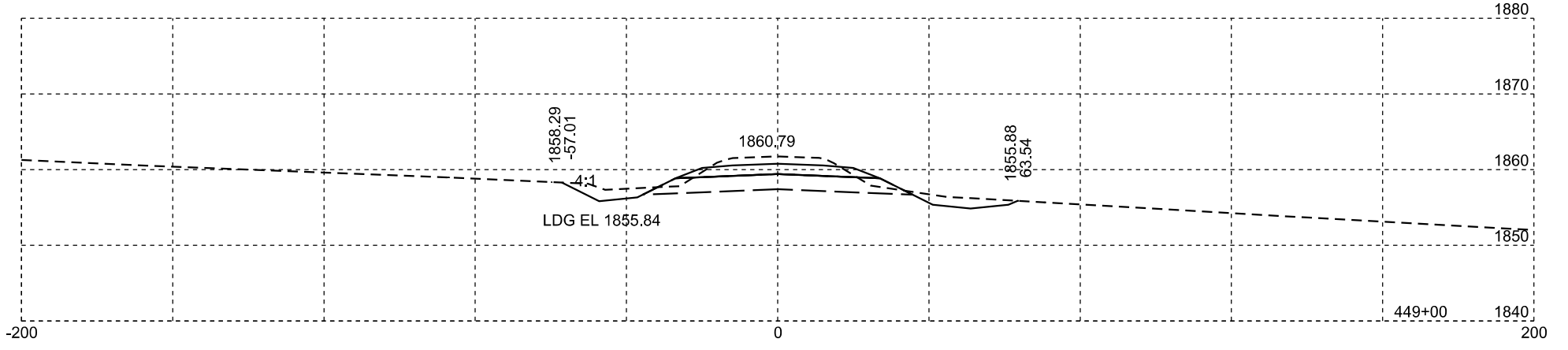
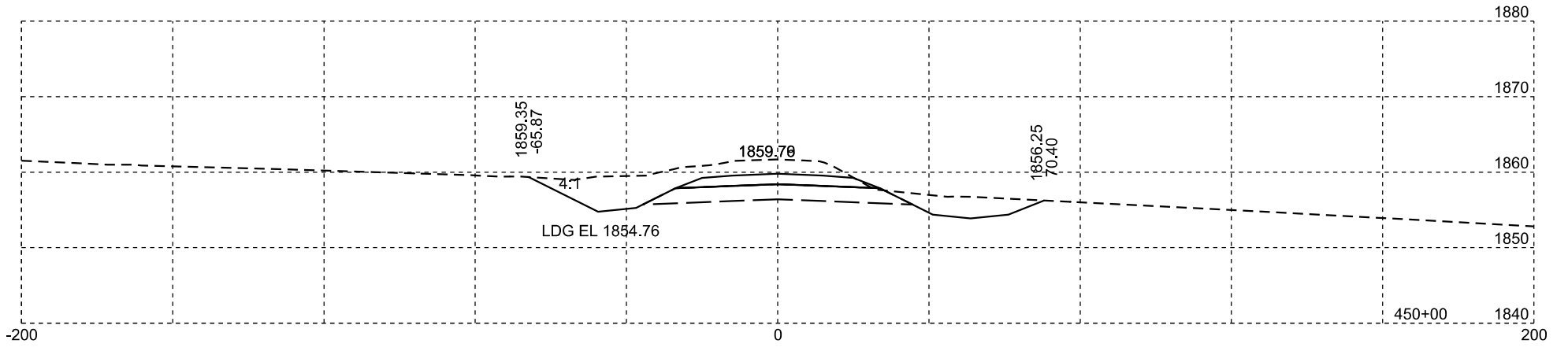
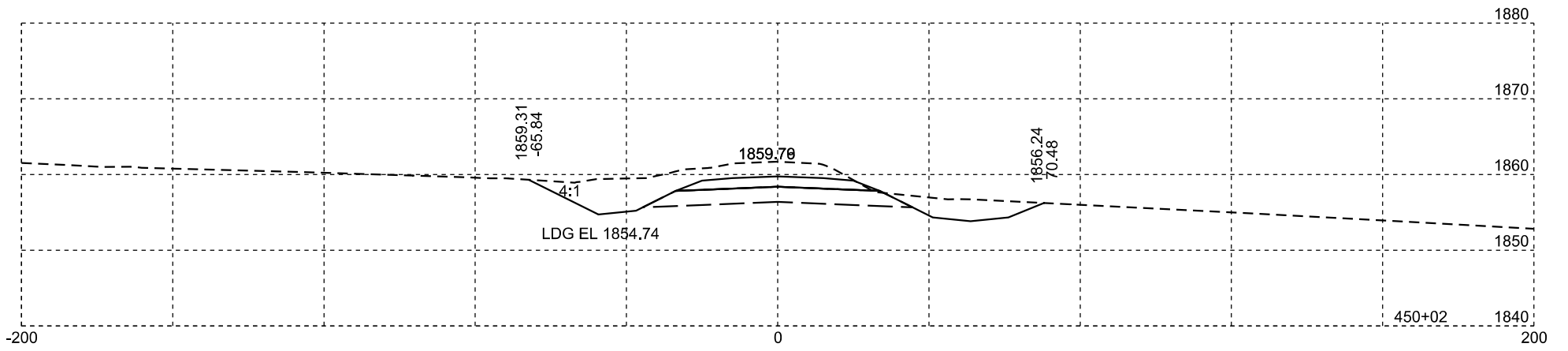
Plotting Date: 10/23/2024

STATE OF SOUTH DAKOTA	PROJECT	SHEET NO.	TOTAL SHEETS
	PH 0028(36)355	X87	X134



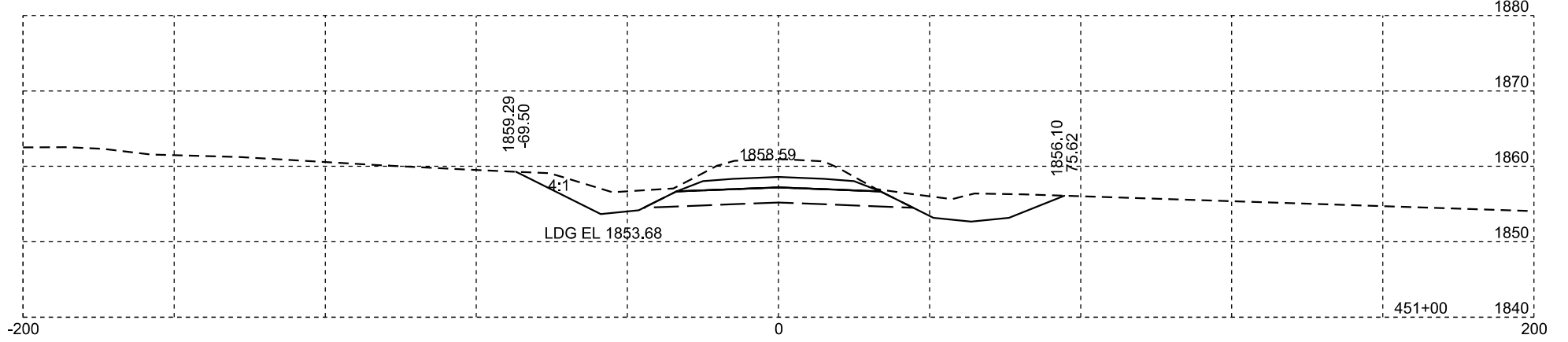
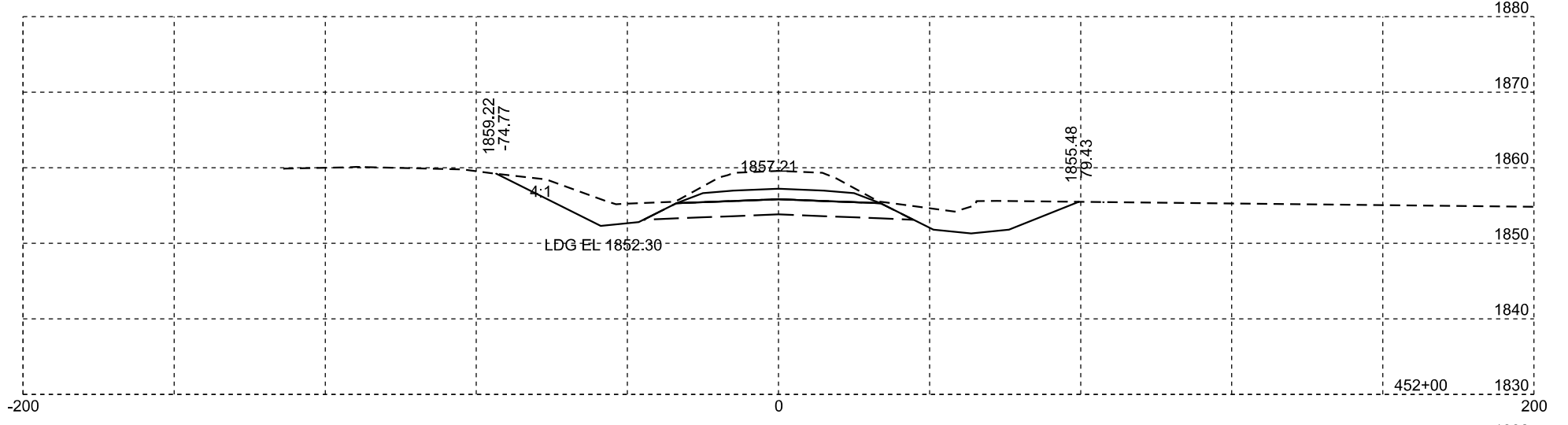
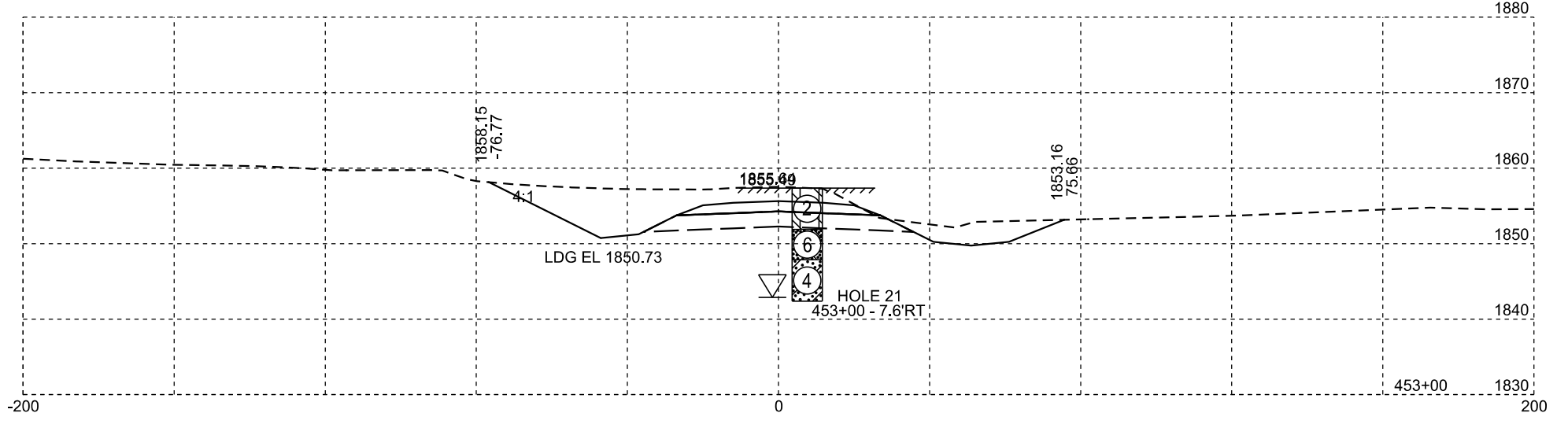
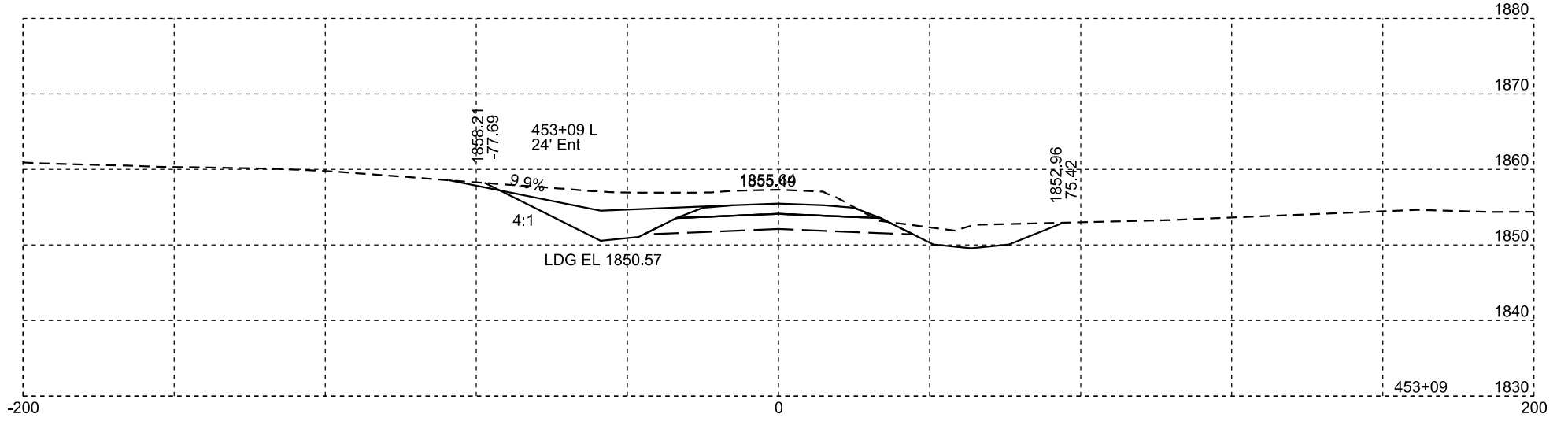
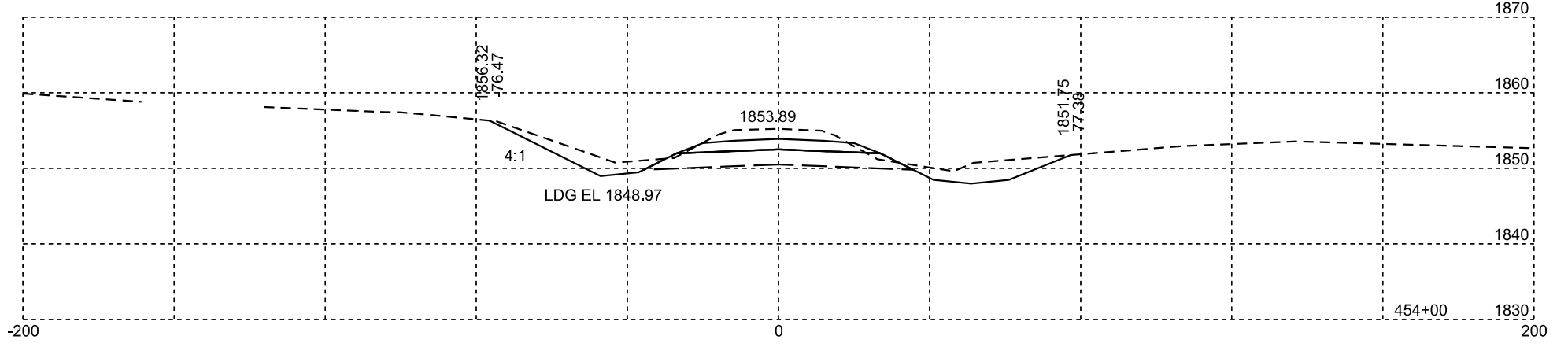
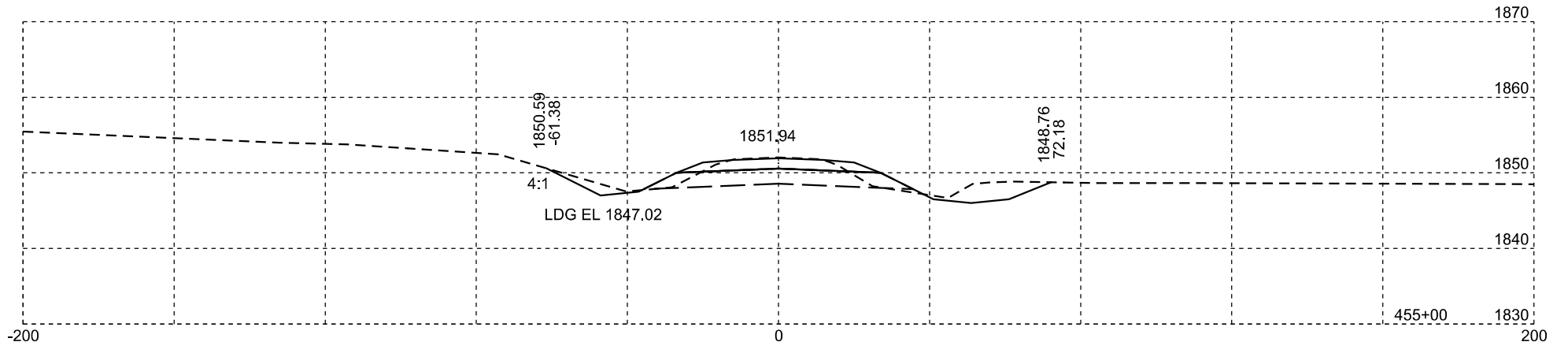
Plotting Date: 10/23/2024

STATE OF SOUTH DAKOTA	PROJECT	SHEET NO.	TOTAL SHEETS
	PH 0028(36)355	X88	X134



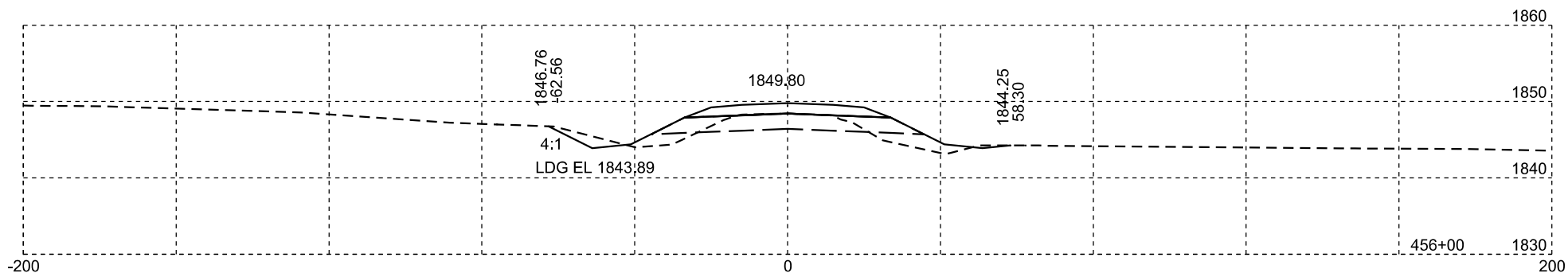
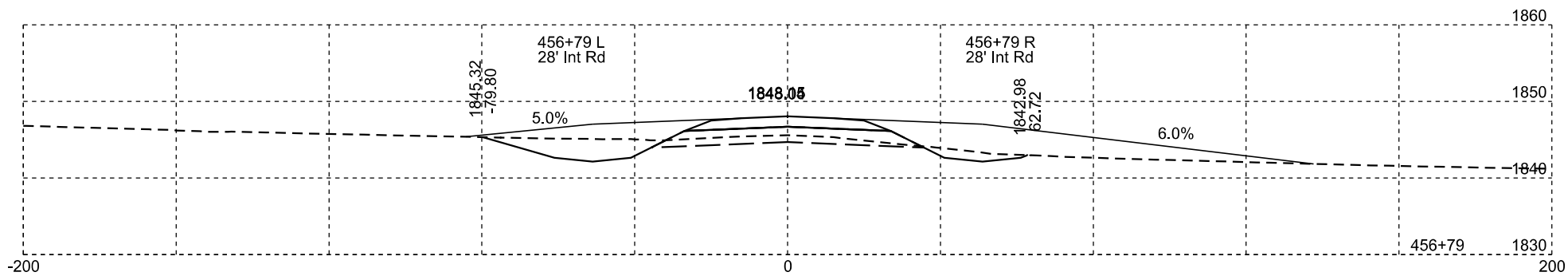
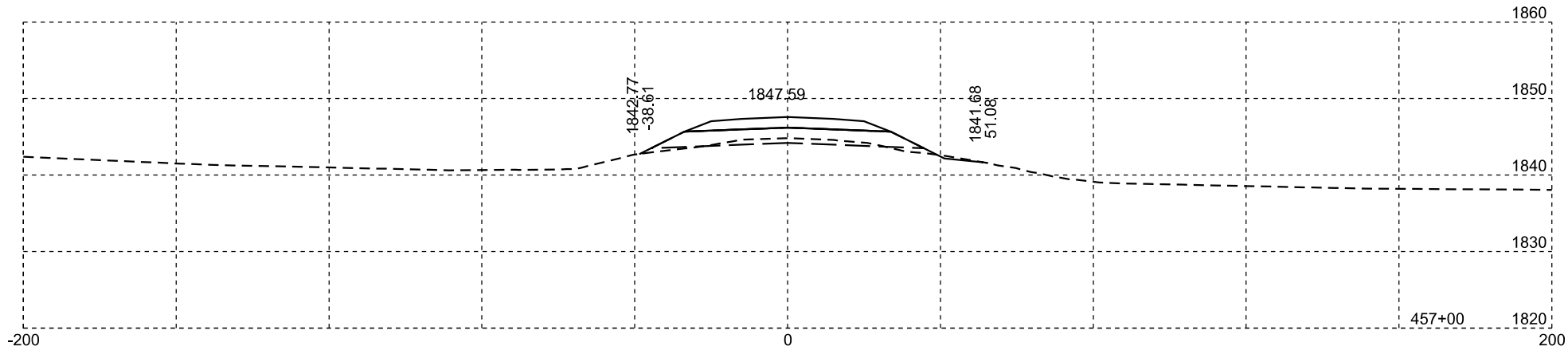
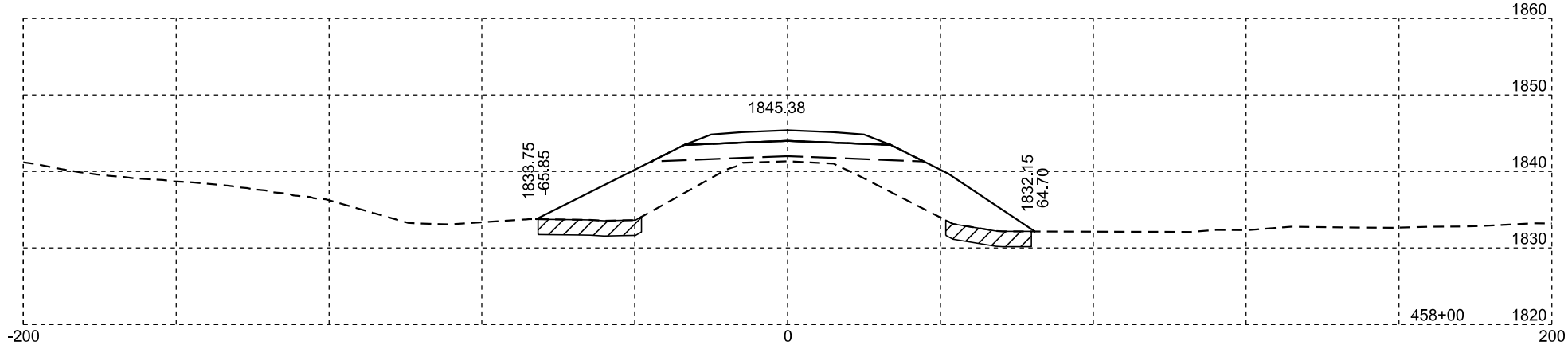
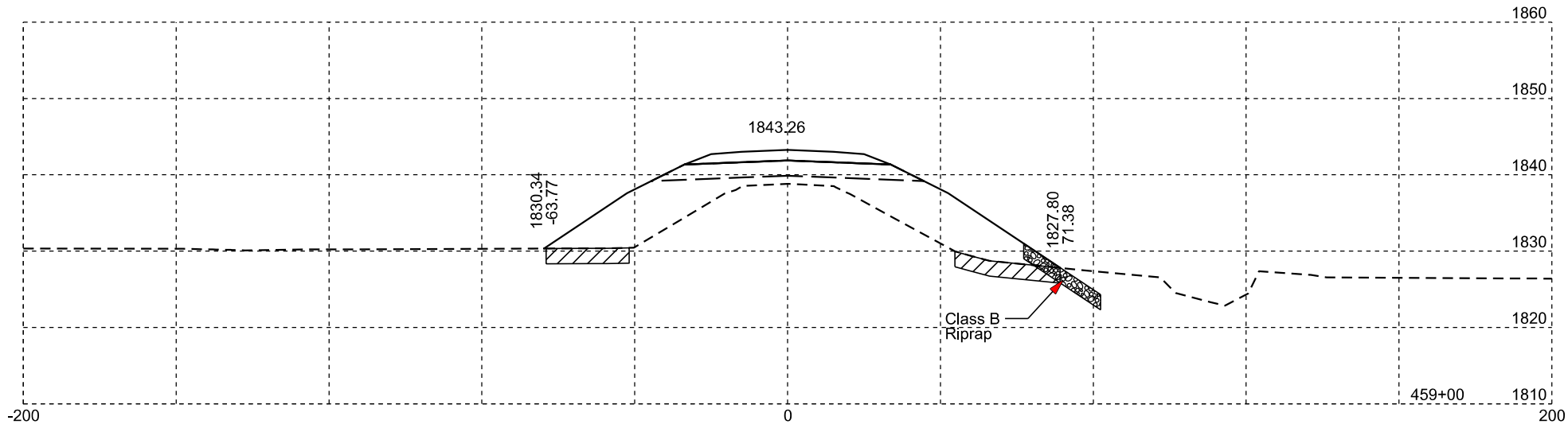
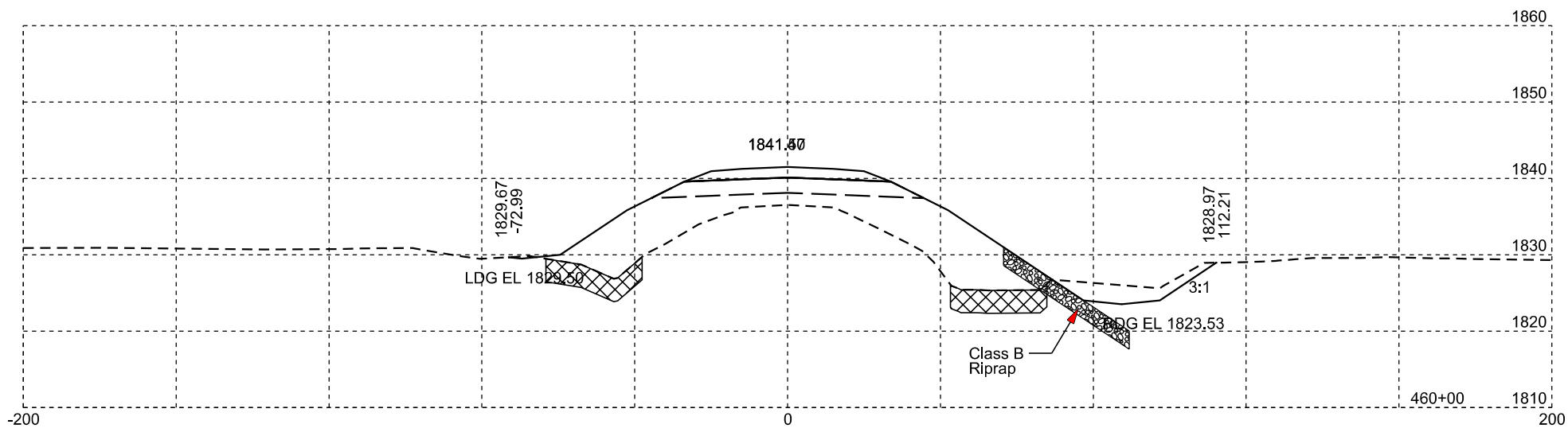
Plotting Date: 10/23/2024

STATE OF SOUTH DAKOTA	PROJECT	SHEET NO.	TOTAL SHEETS
	PH 0028(36)355	X89	X134



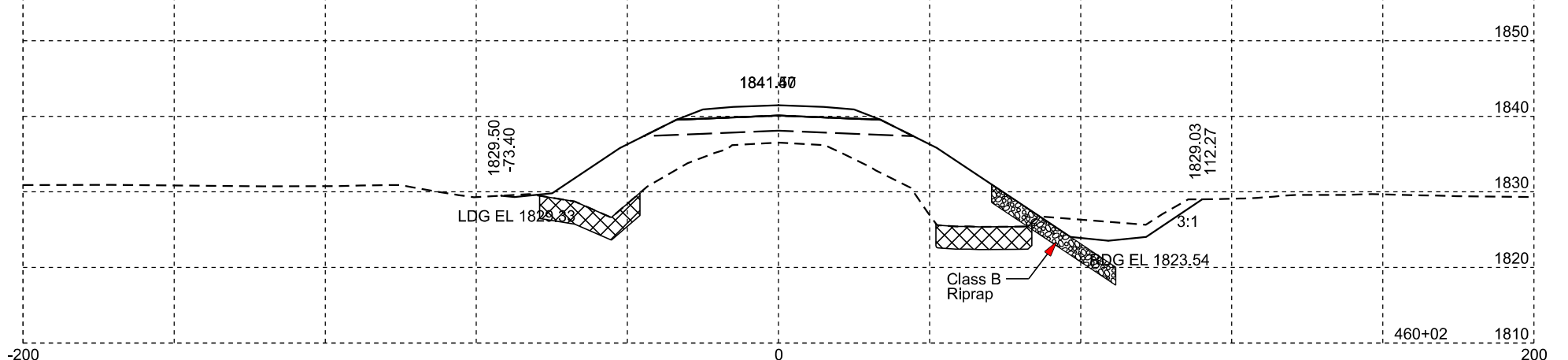
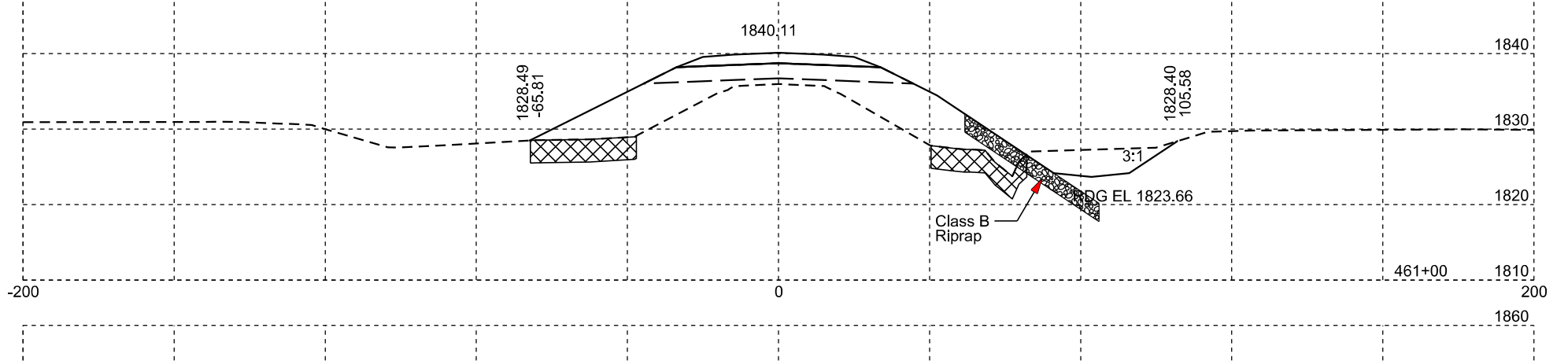
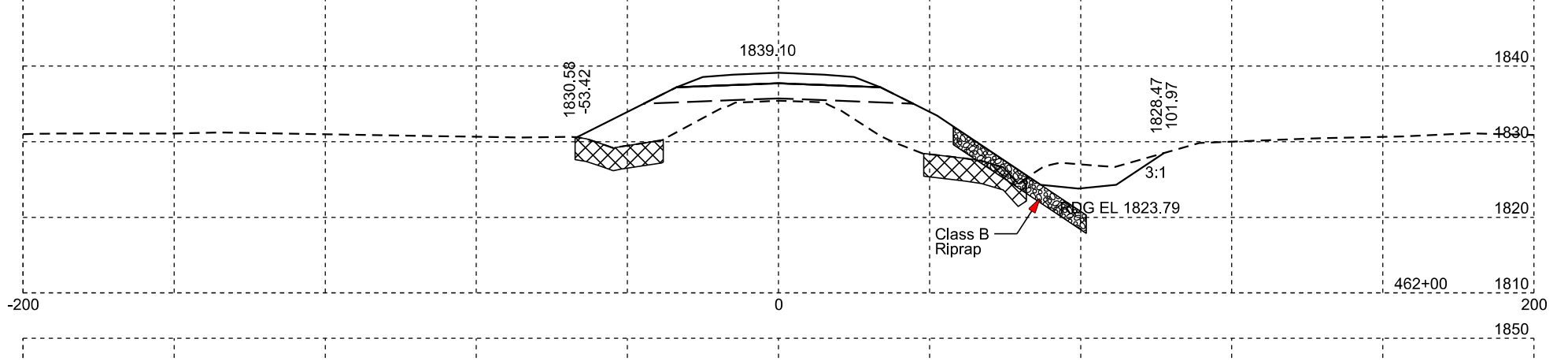
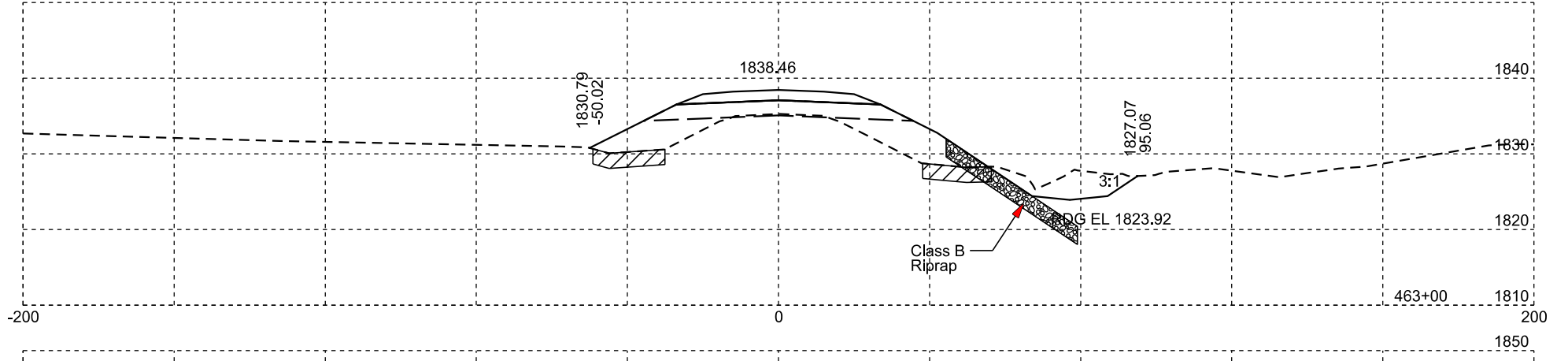
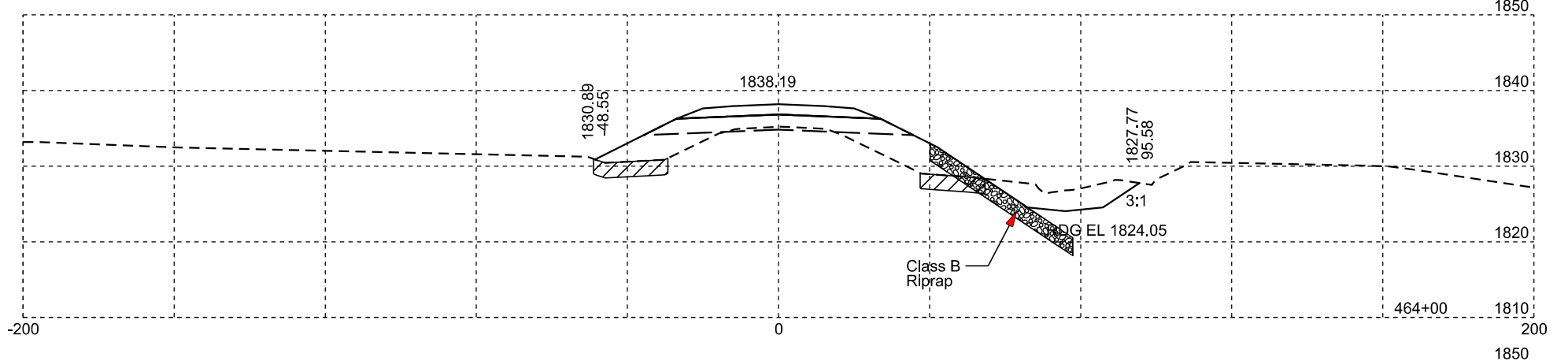
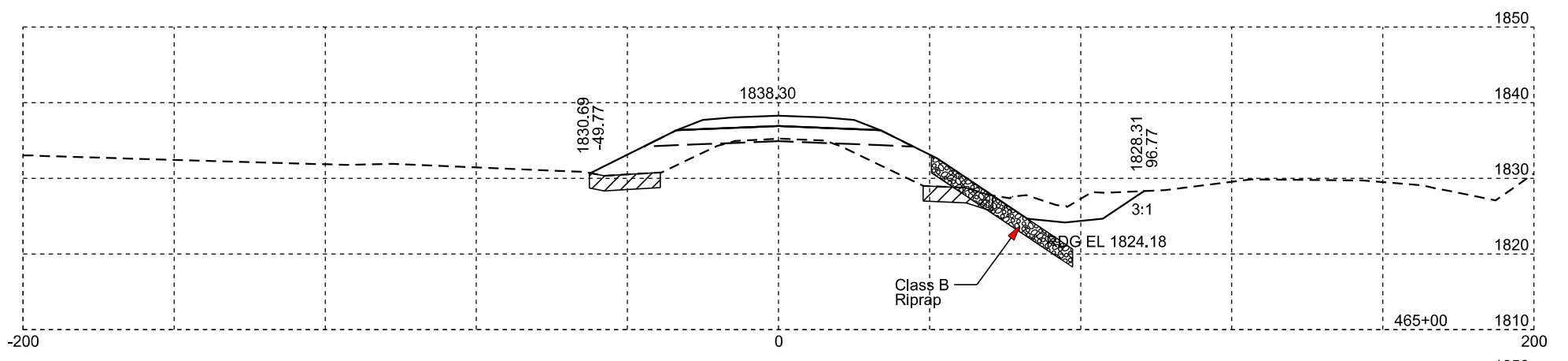
Plotting Date: 10/23/2024

STATE OF SOUTH DAKOTA	PROJECT	SHEET NO.	TOTAL SHEETS
	PH 0028(36)355	X90	X134



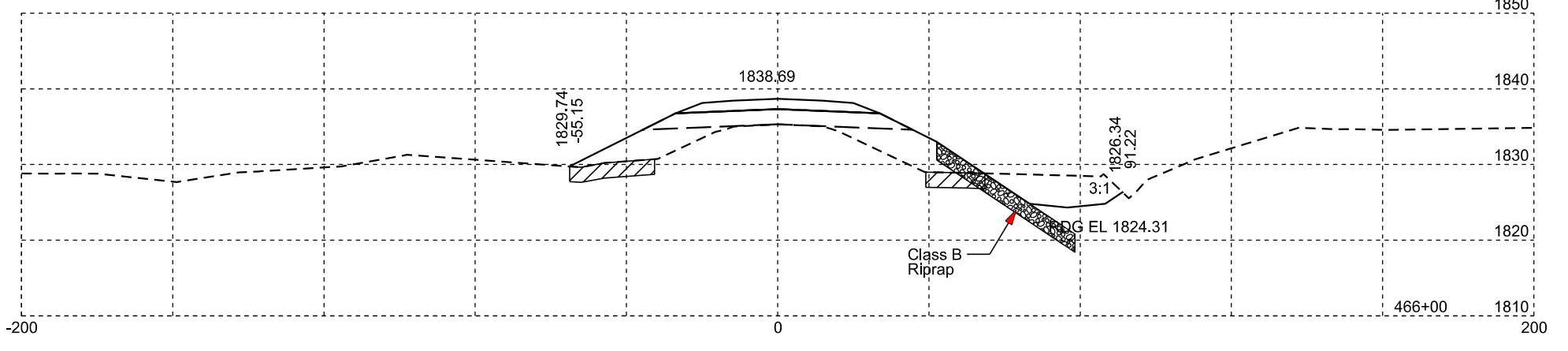
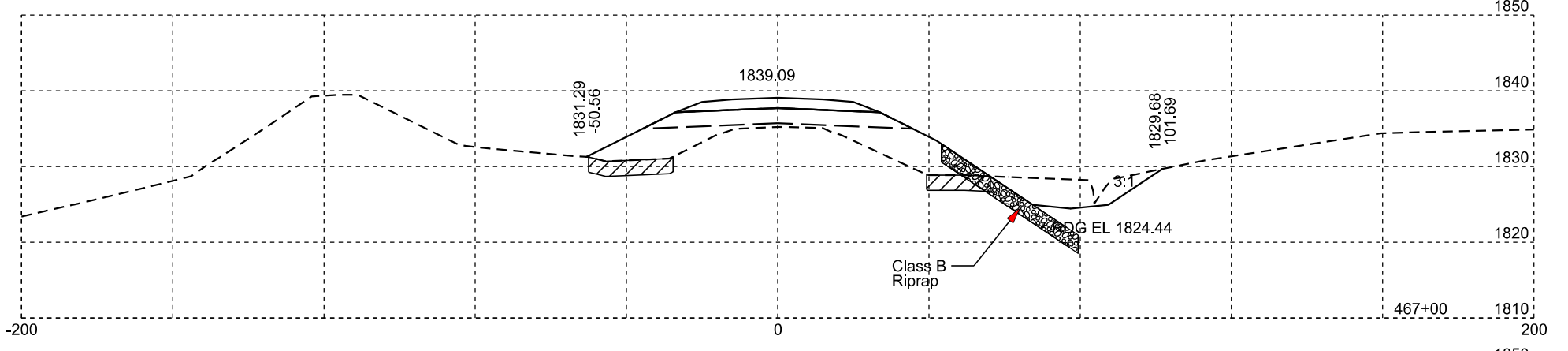
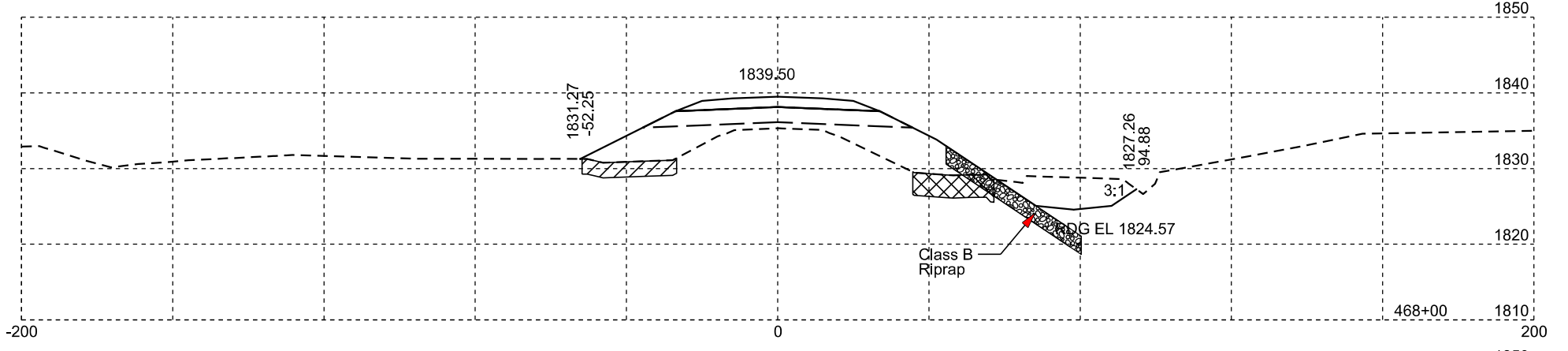
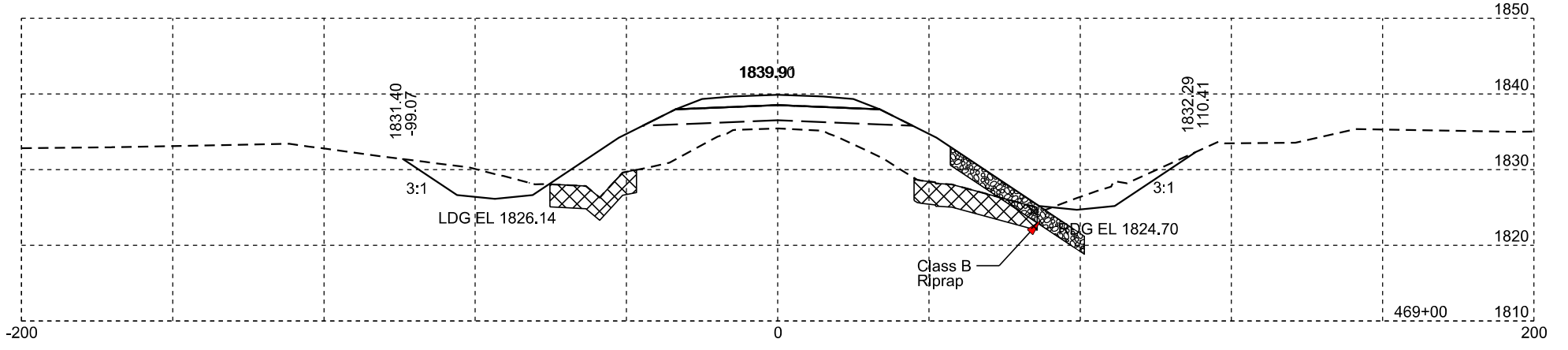
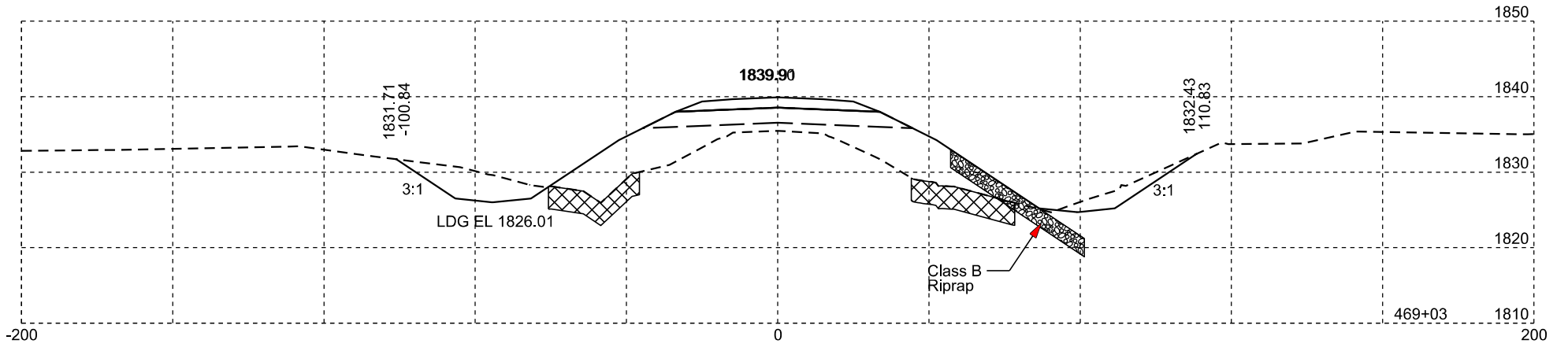
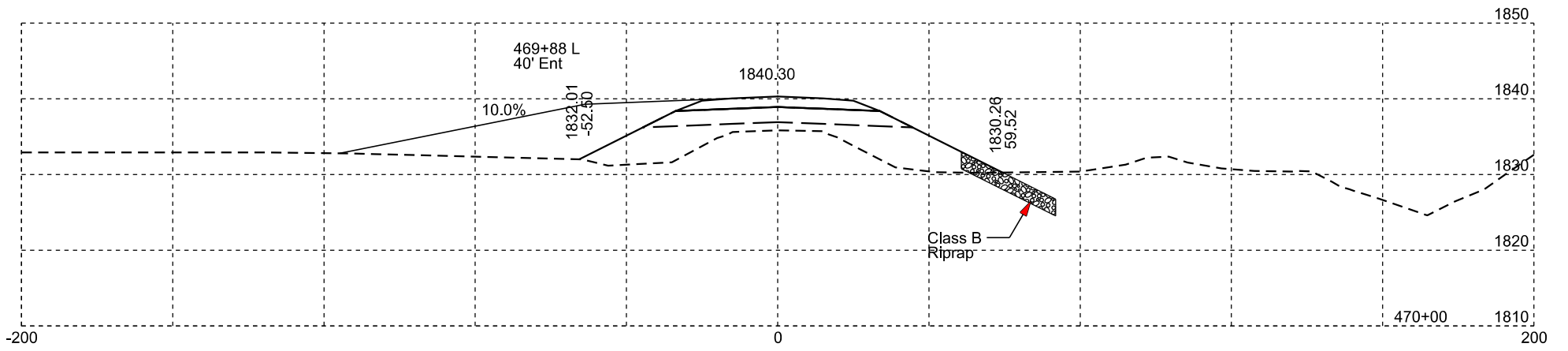
Plotting Date: 10/23/2024

STATE OF SOUTH DAKOTA	PROJECT	SHEET NO.	TOTAL SHEETS
	PH 0028(36)355	X91	X134



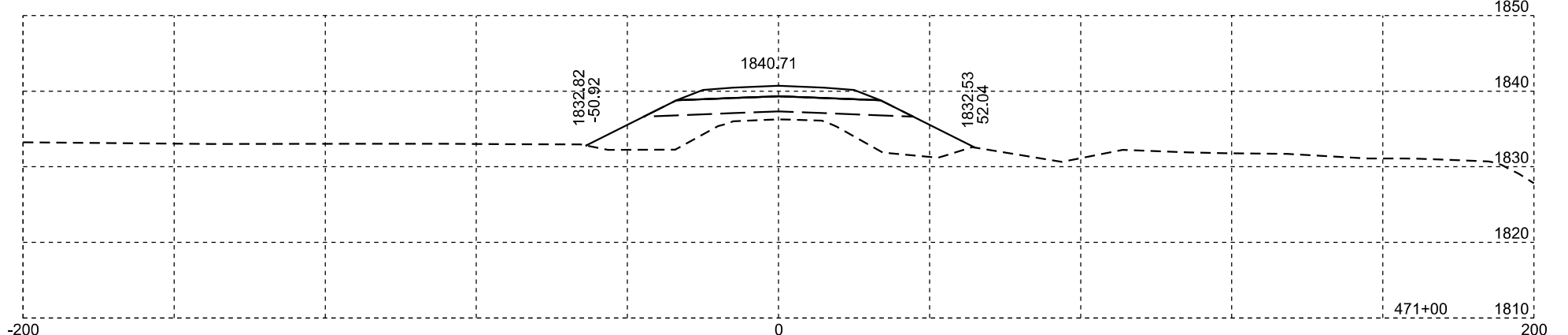
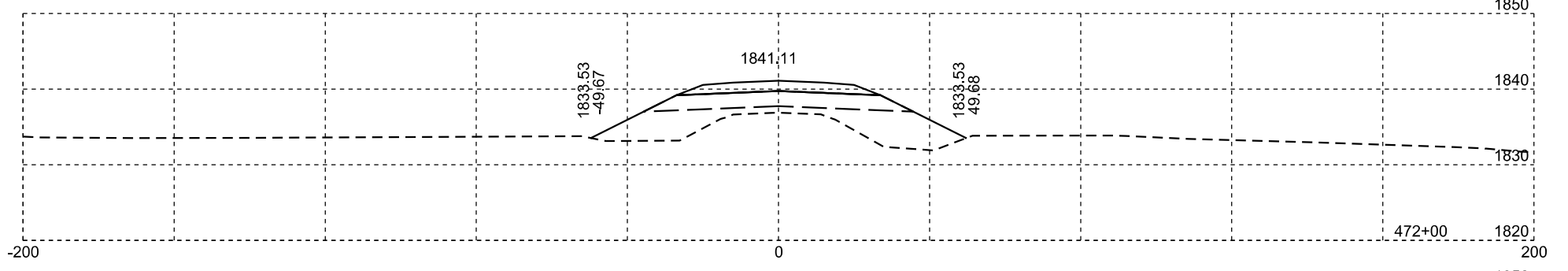
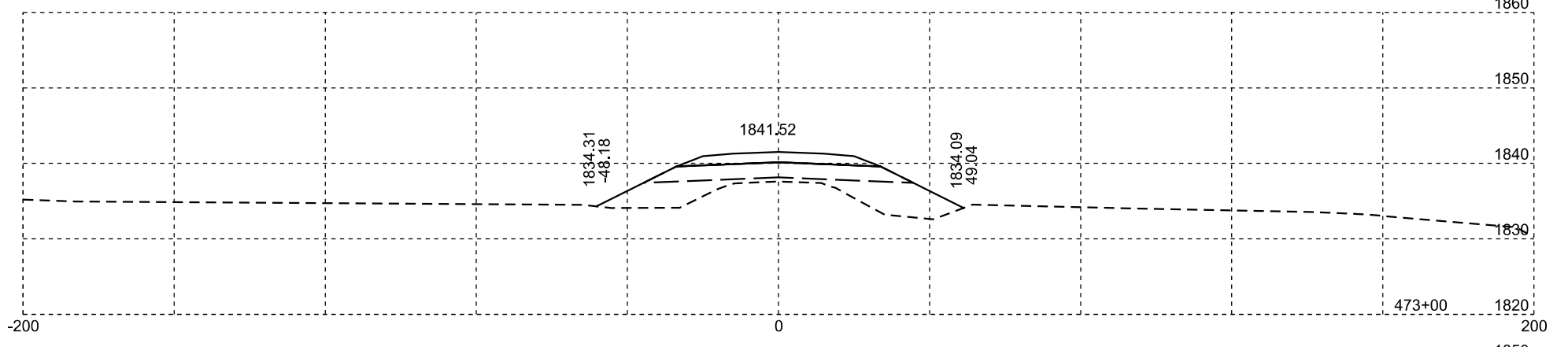
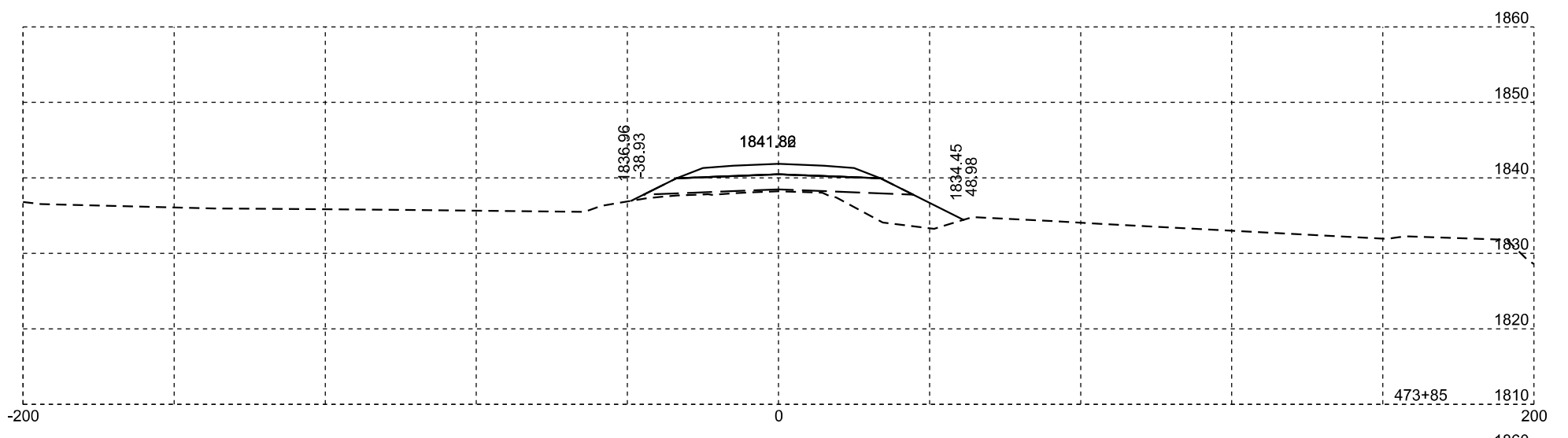
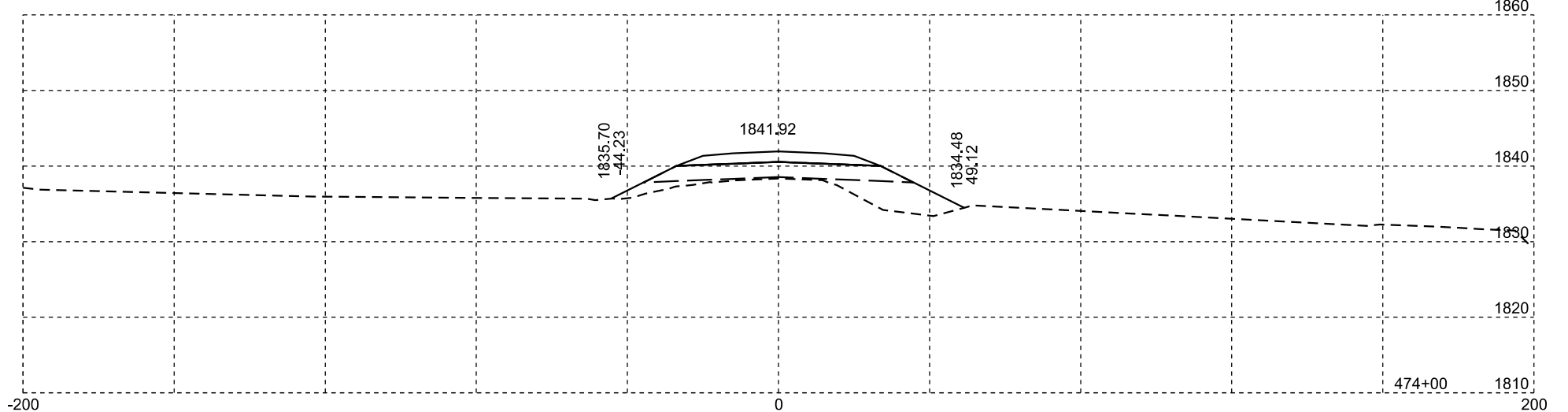
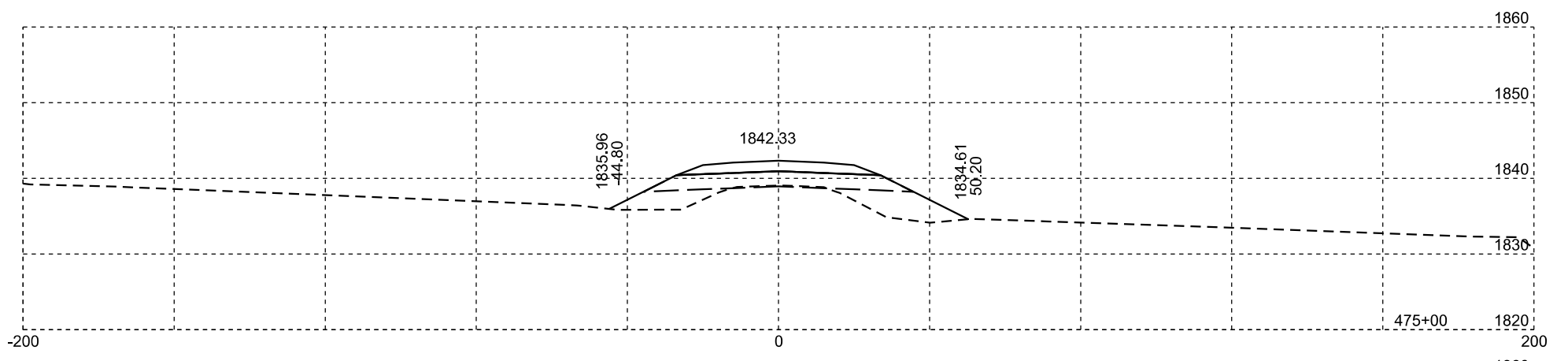
Plotting Date: 10/23/2024

STATE OF SOUTH DAKOTA	PROJECT	SHEET NO.	TOTAL SHEETS
	PH 0028(36)355	X92	X134



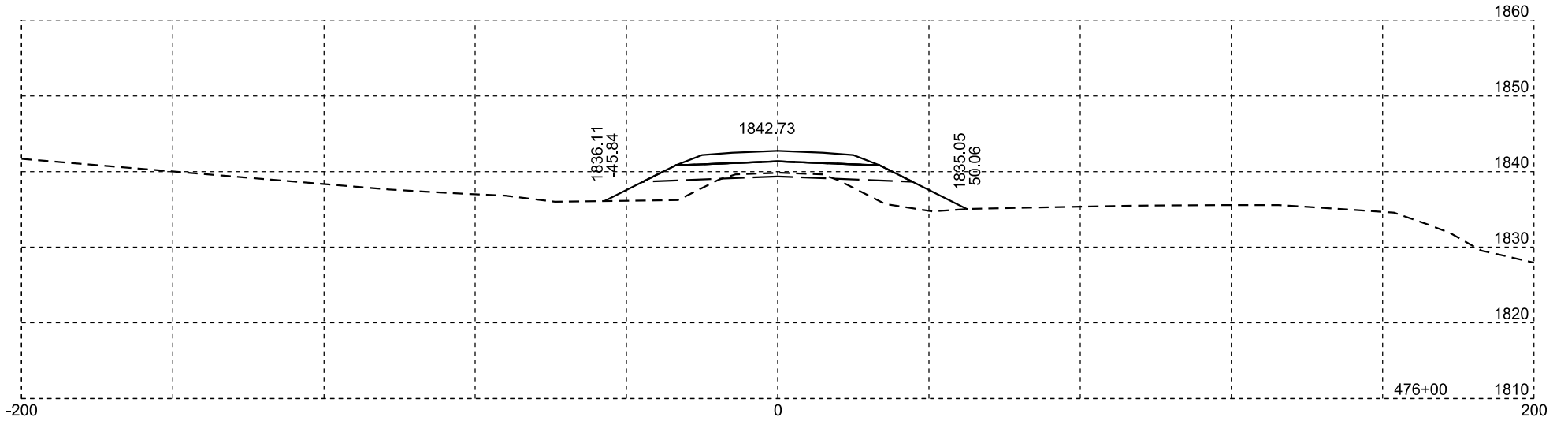
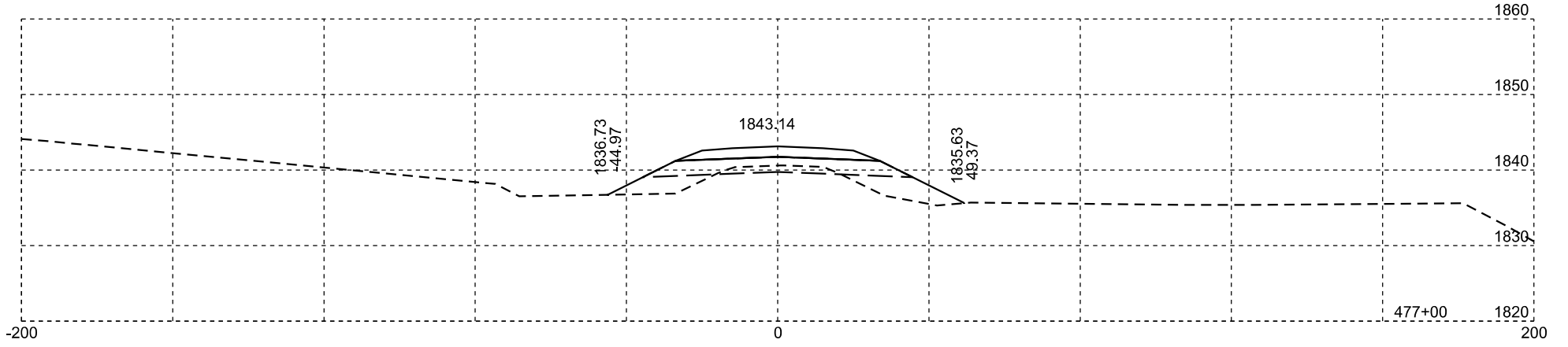
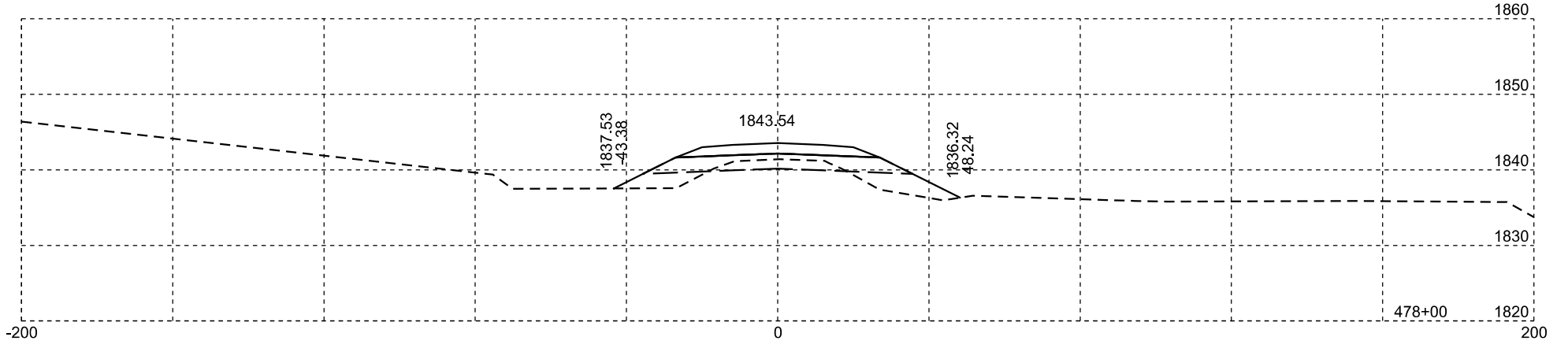
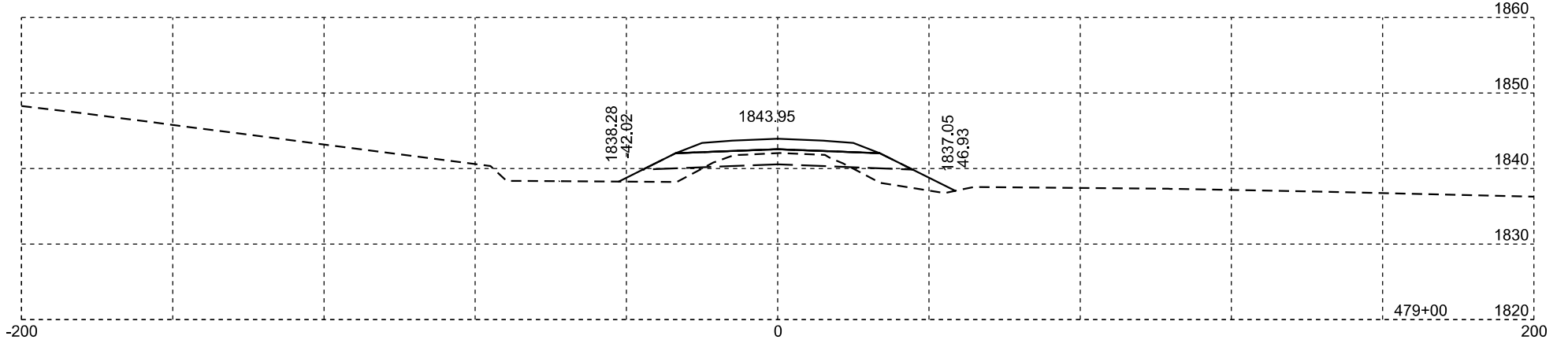
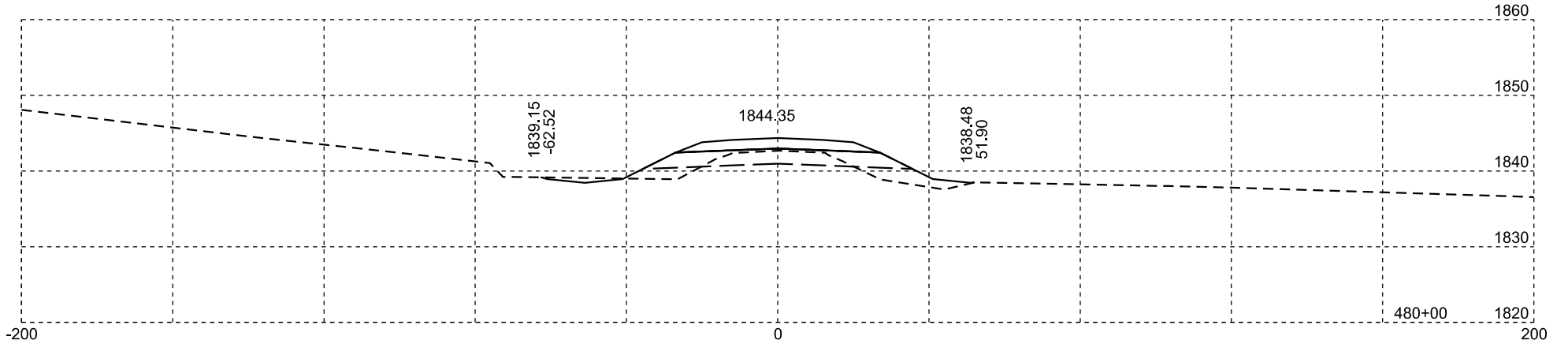
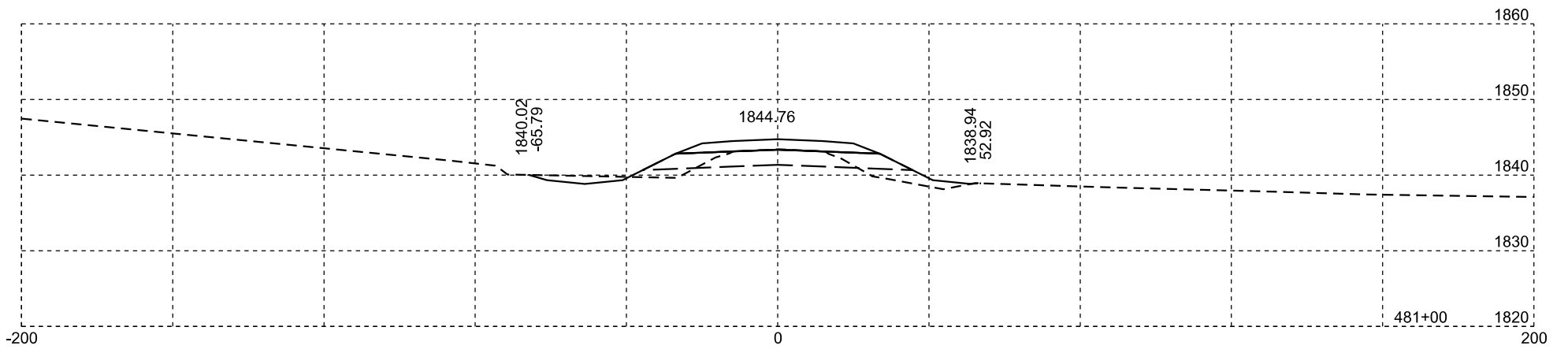
Plotting Date: 10/23/2024

STATE OF SOUTH DAKOTA	PROJECT	SHEET NO.	TOTAL SHEETS
	PH 0028(36)355	X93	X134



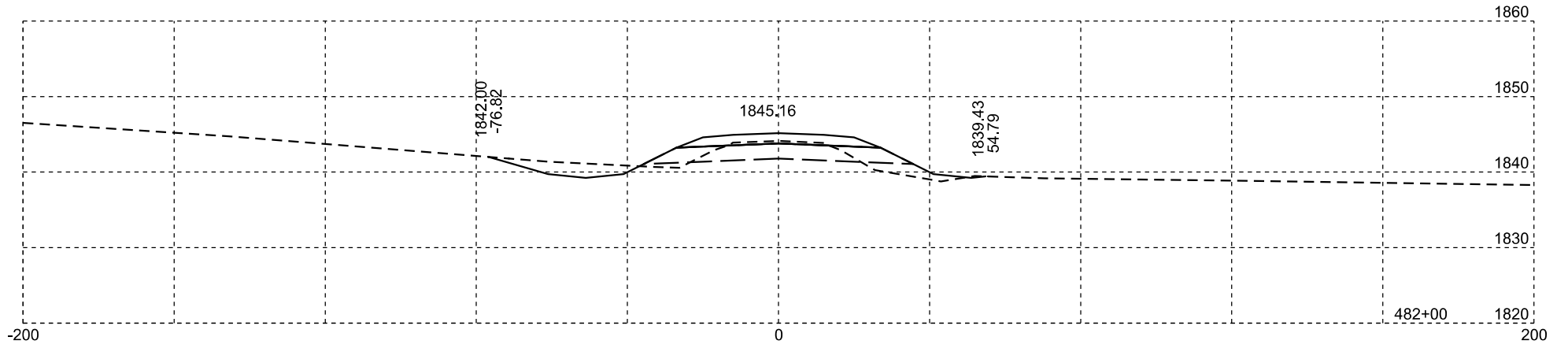
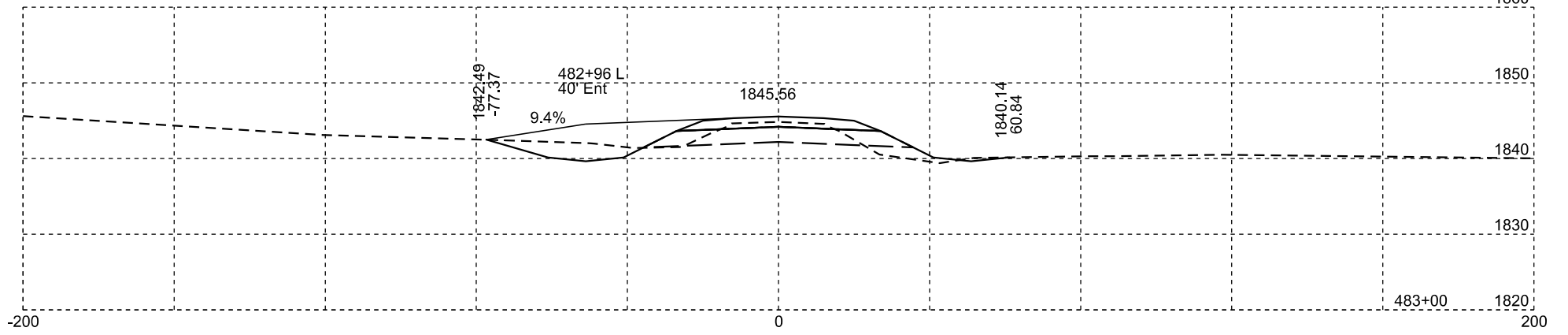
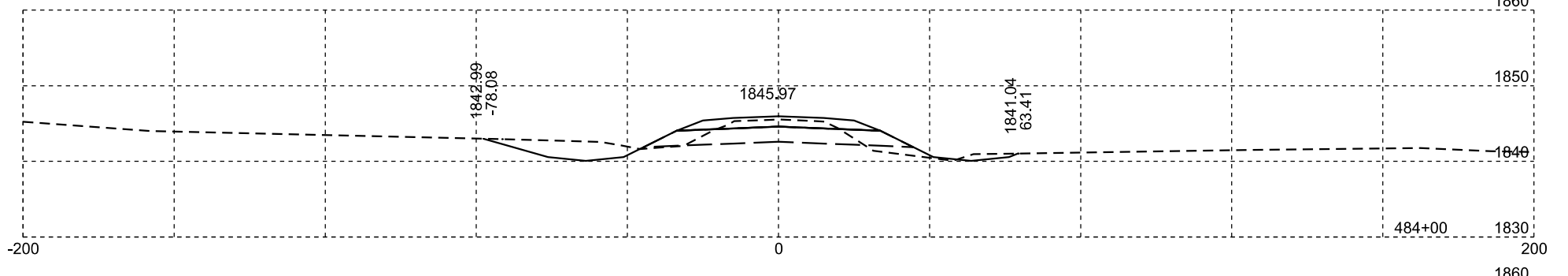
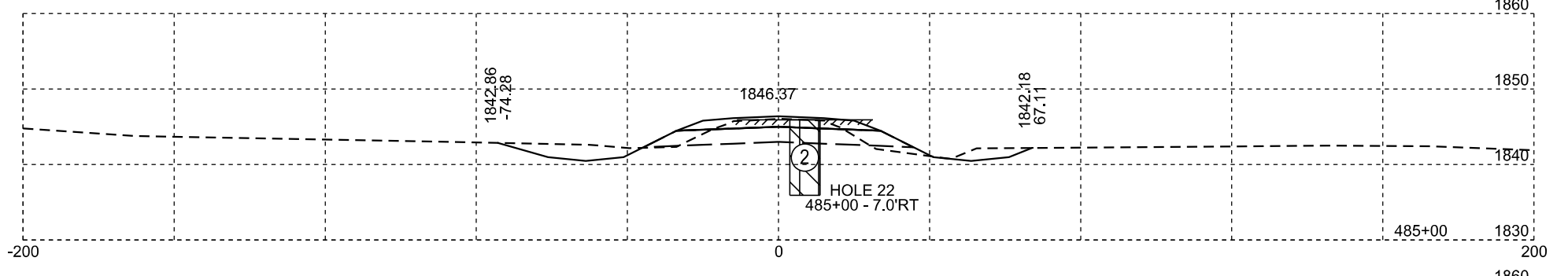
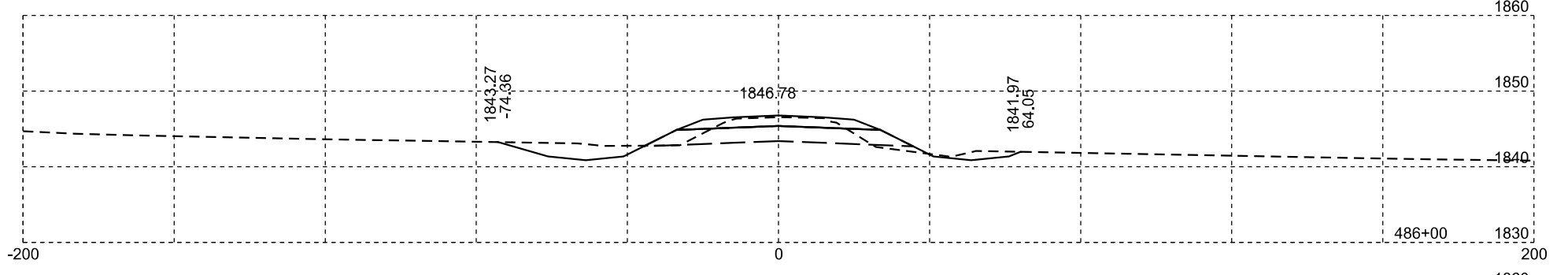
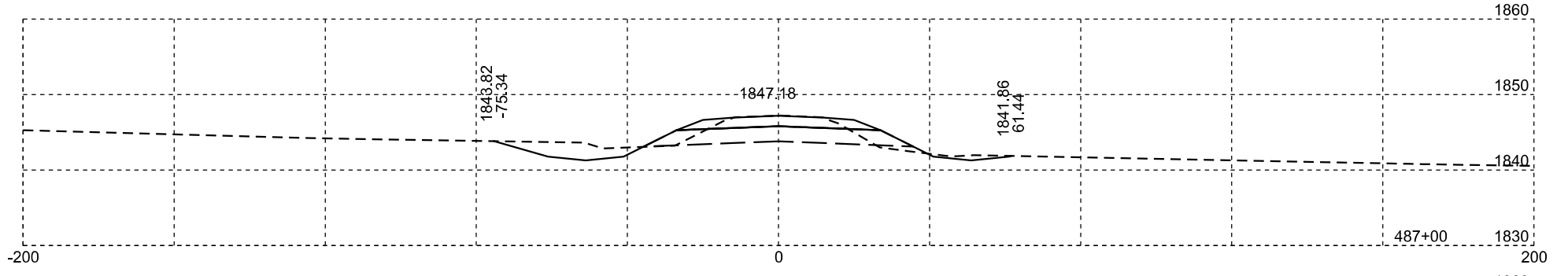
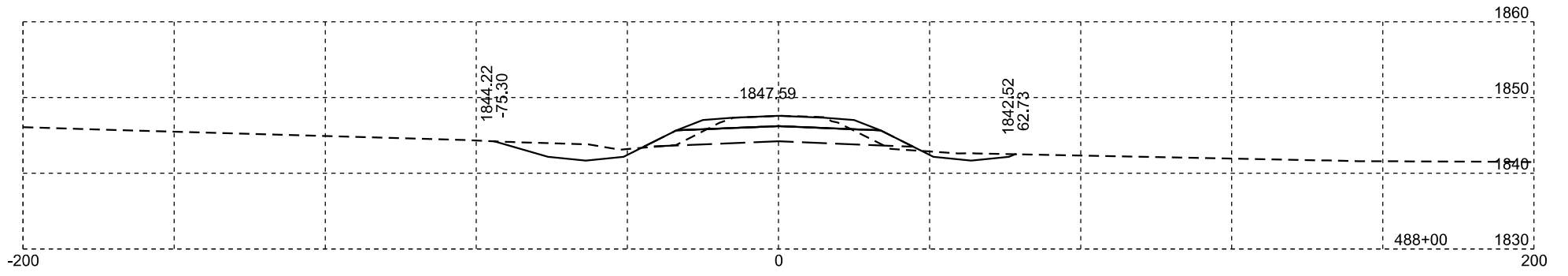
Plotting Date: 10/23/2024

STATE OF SOUTH DAKOTA	PROJECT	SHEET NO.	TOTAL SHEETS
	PH 0028(36)355	X94	X134



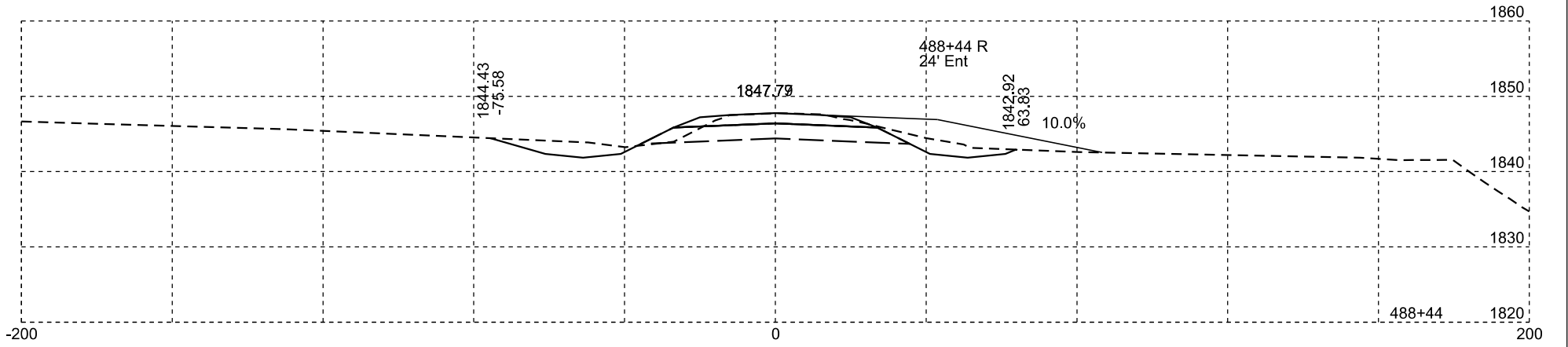
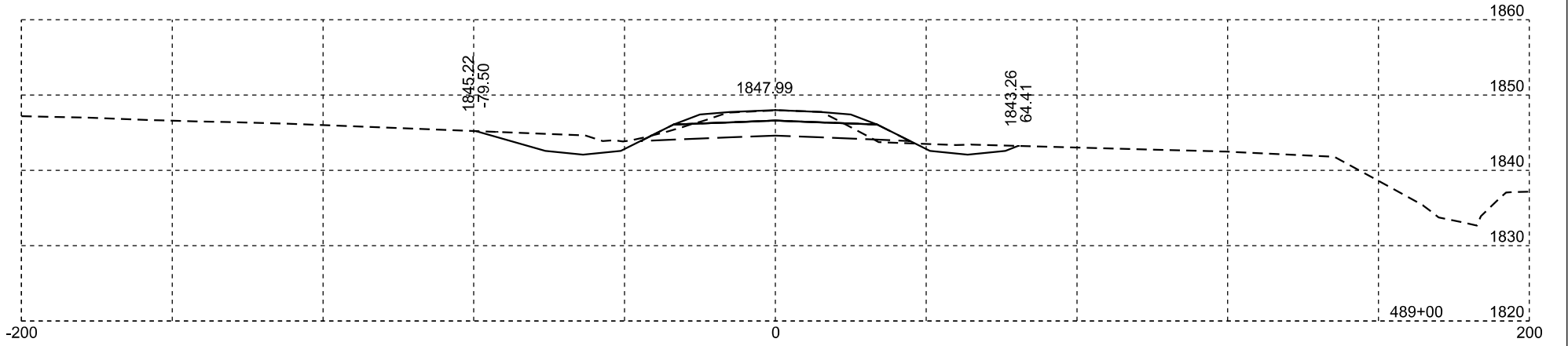
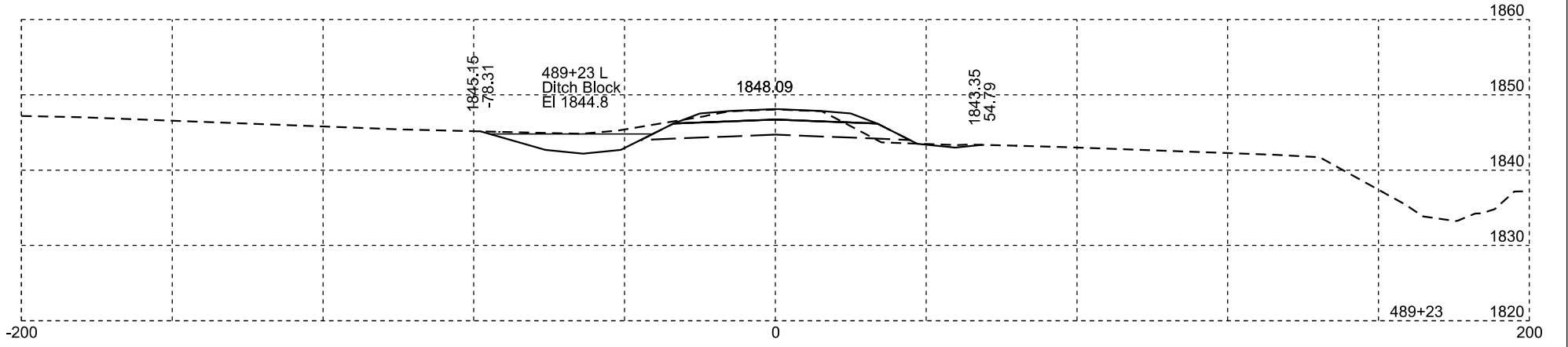
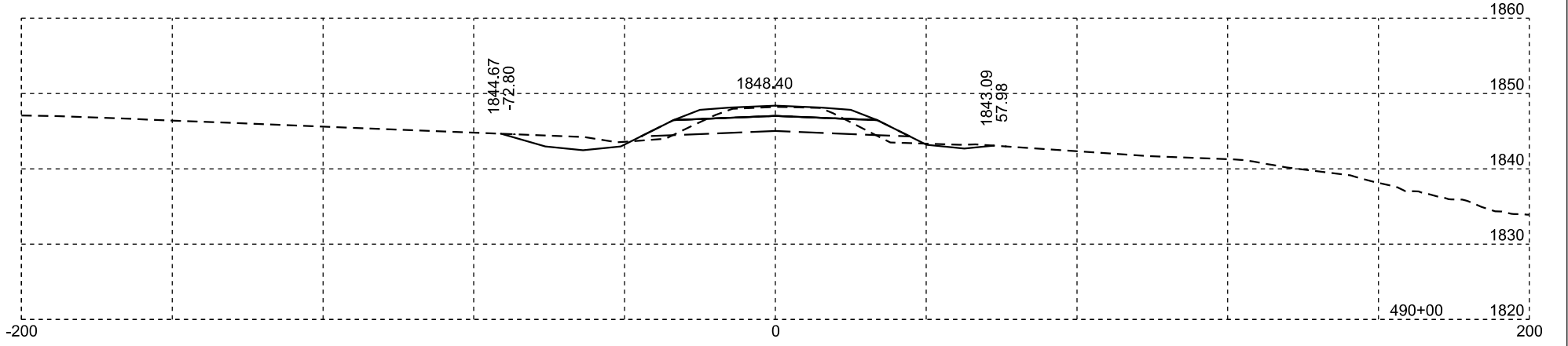
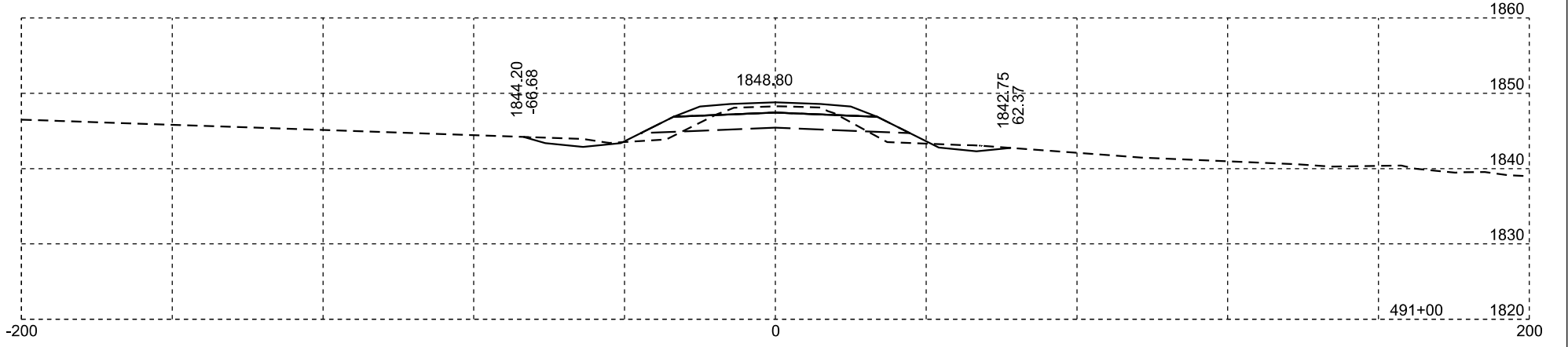
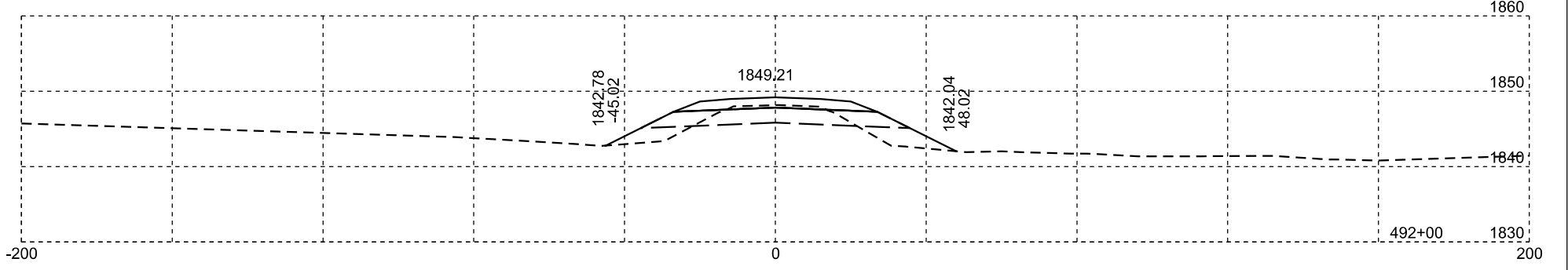
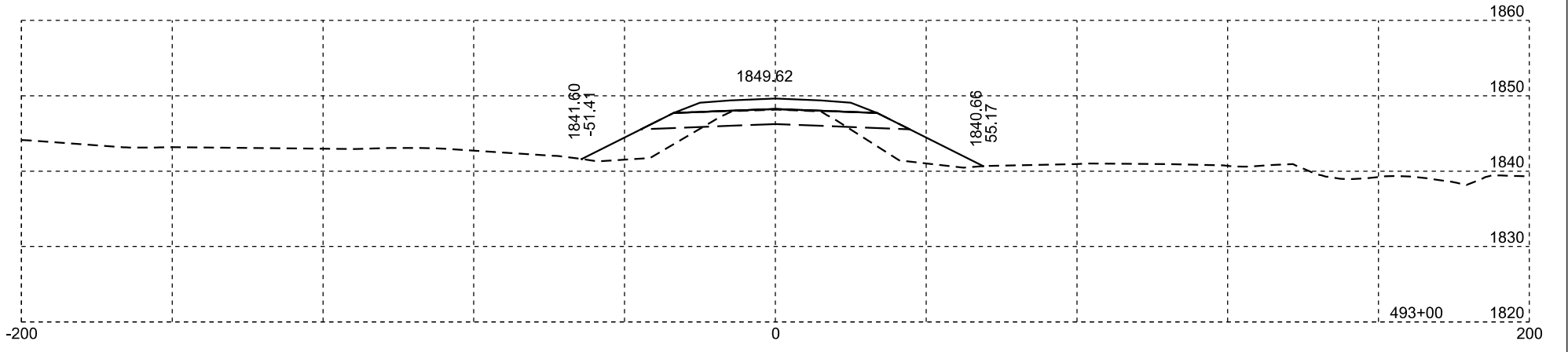
Plotting Date: 10/23/2024

STATE OF SOUTH DAKOTA	PROJECT	SHEET NO.	TOTAL SHEETS
	PH 0028(36)355	X95	X134



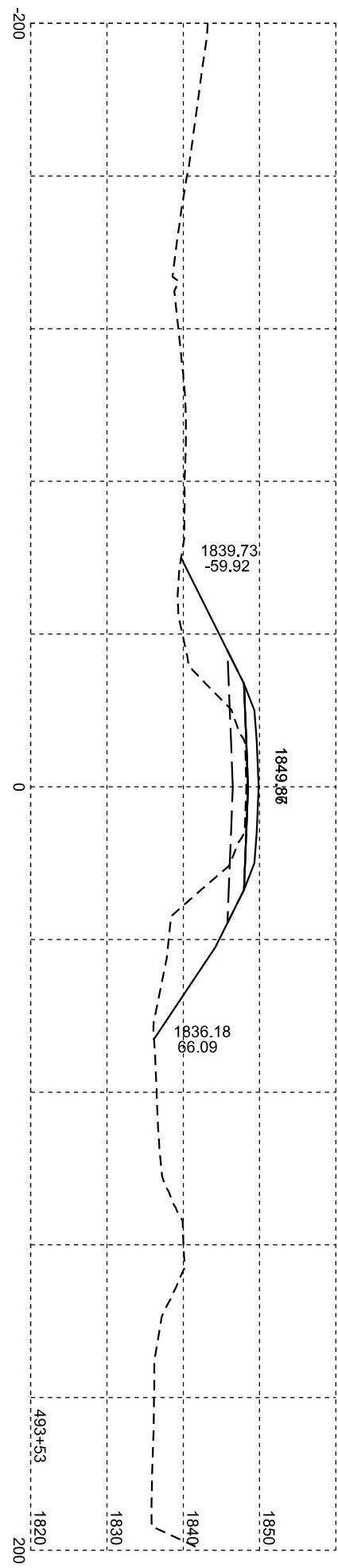
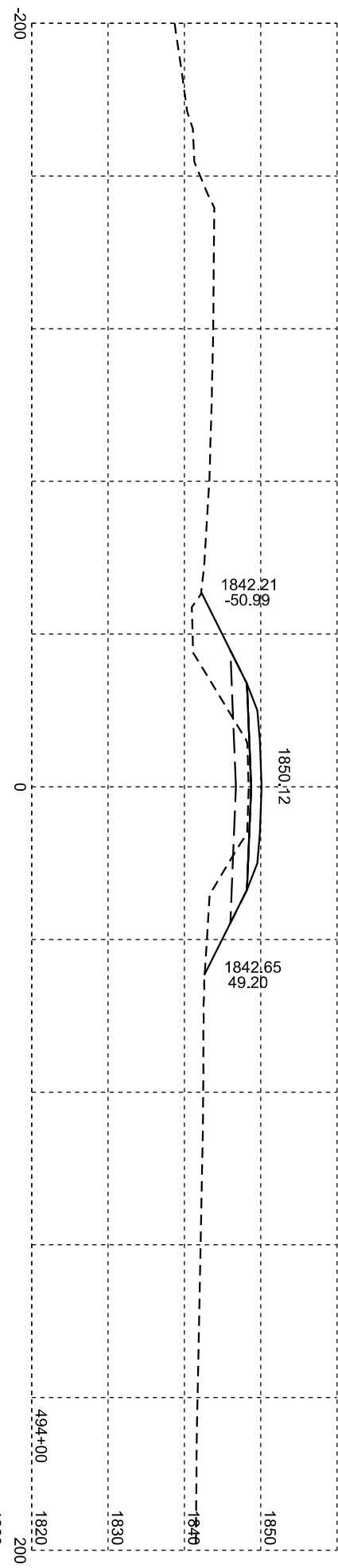
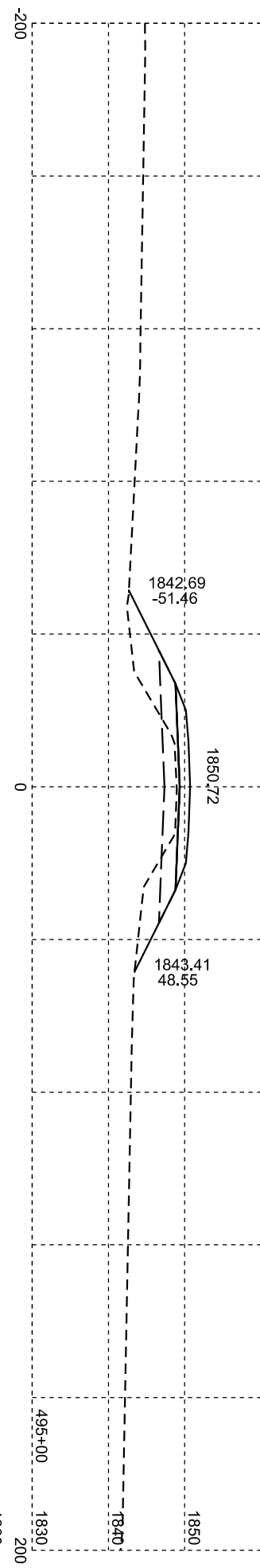
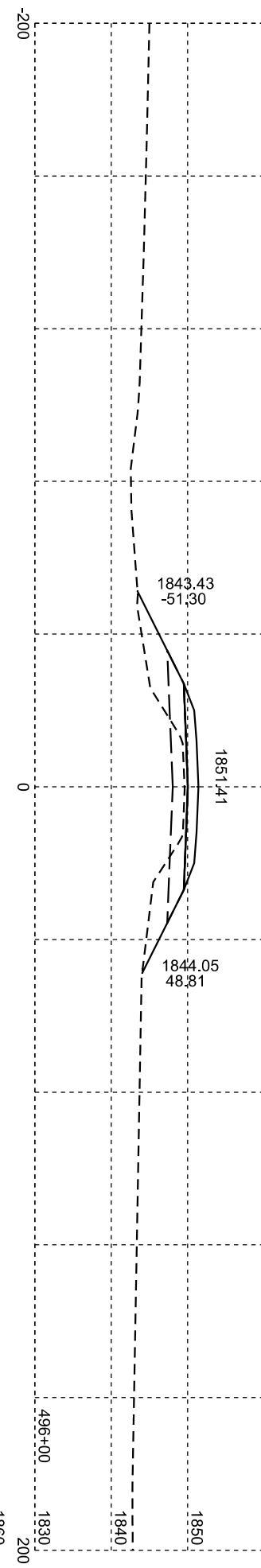
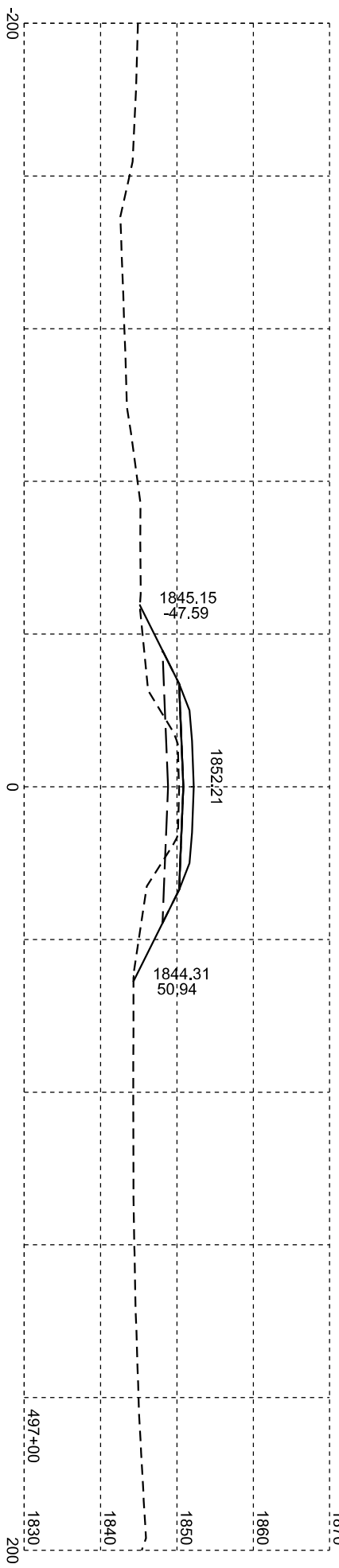
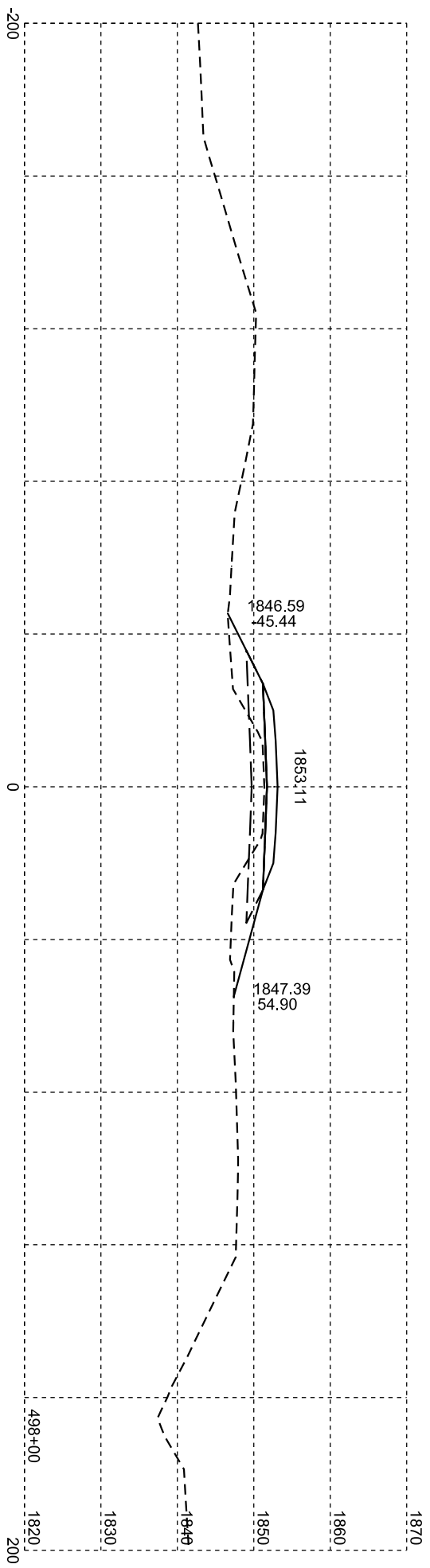
Plotting Date: 10/23/2024

STATE OF SOUTH DAKOTA	PROJECT	SHEET NO.	TOTAL SHEETS
	PH 0028(36)355	X96	X134



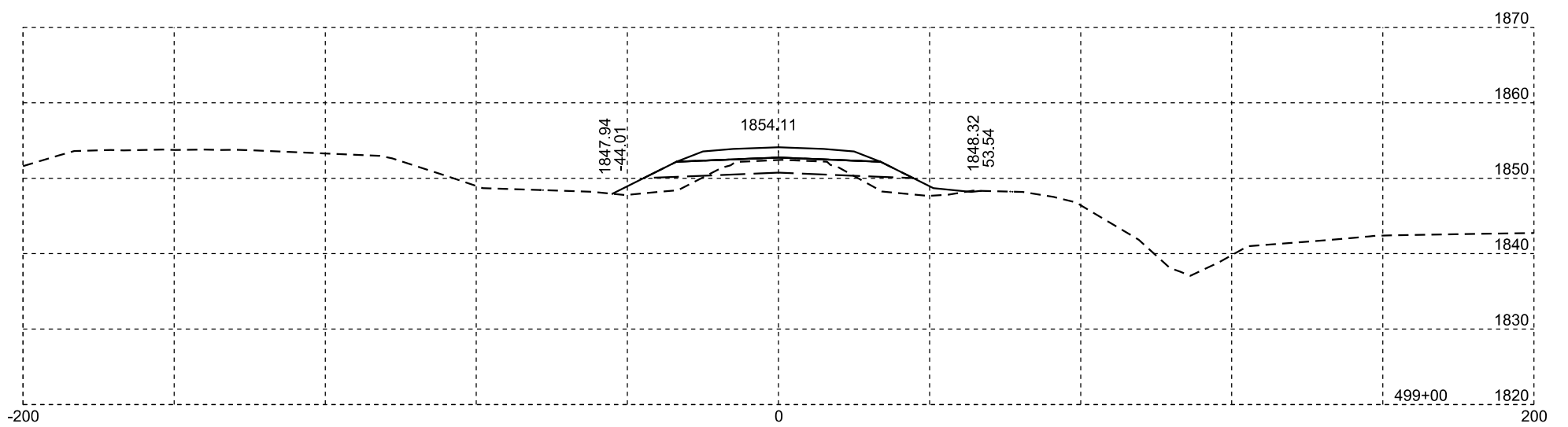
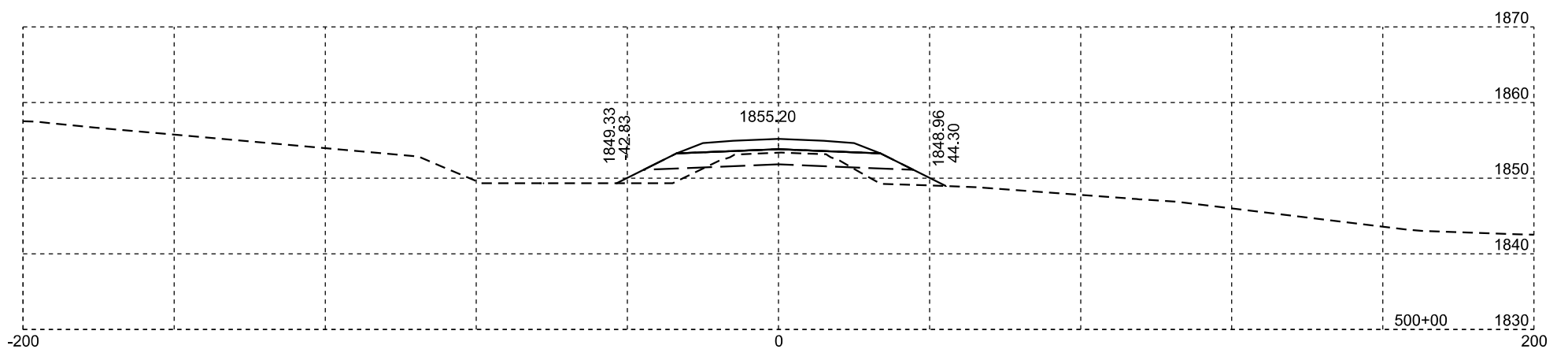
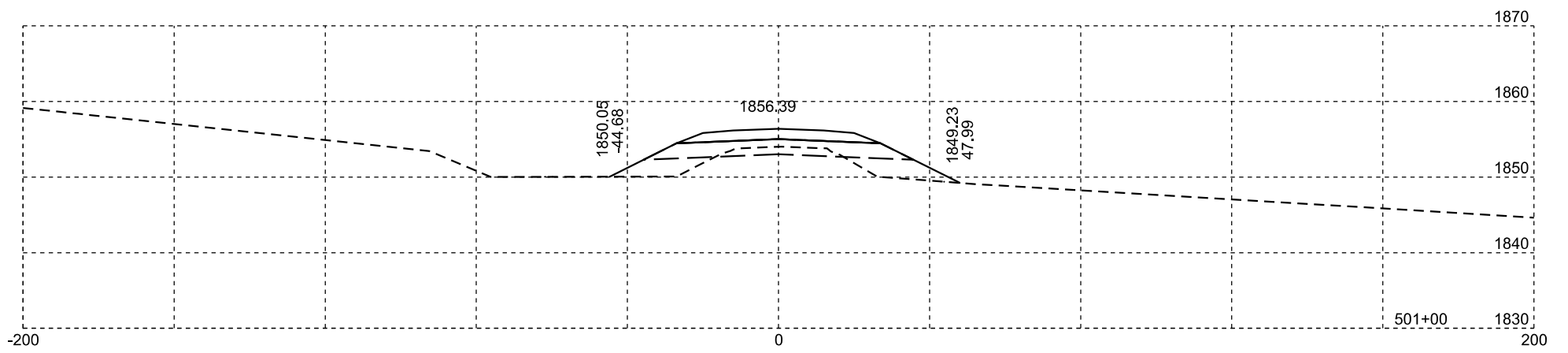
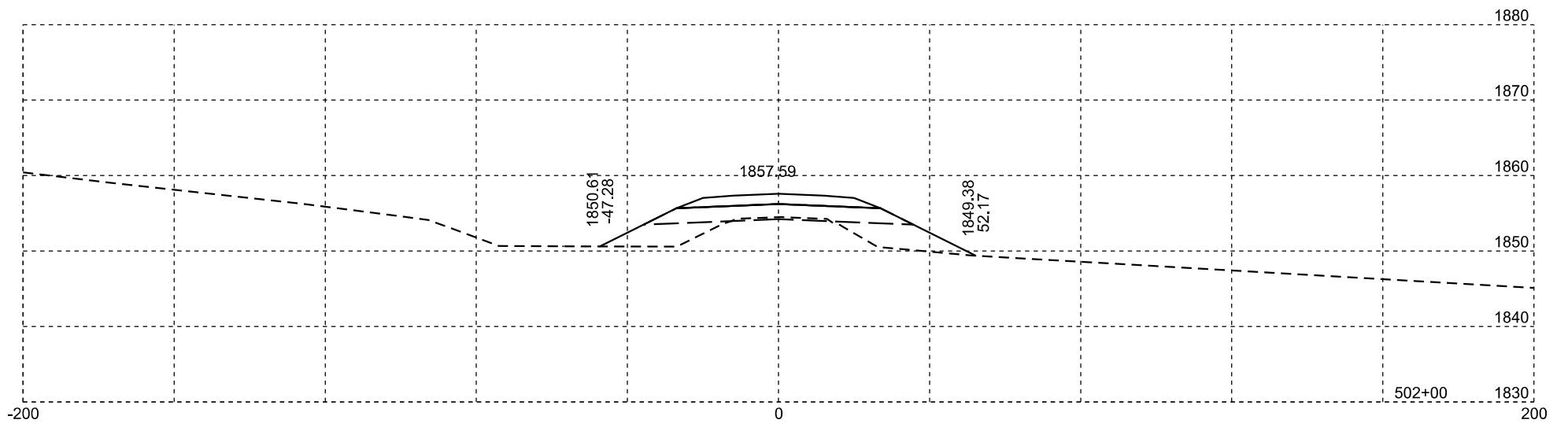
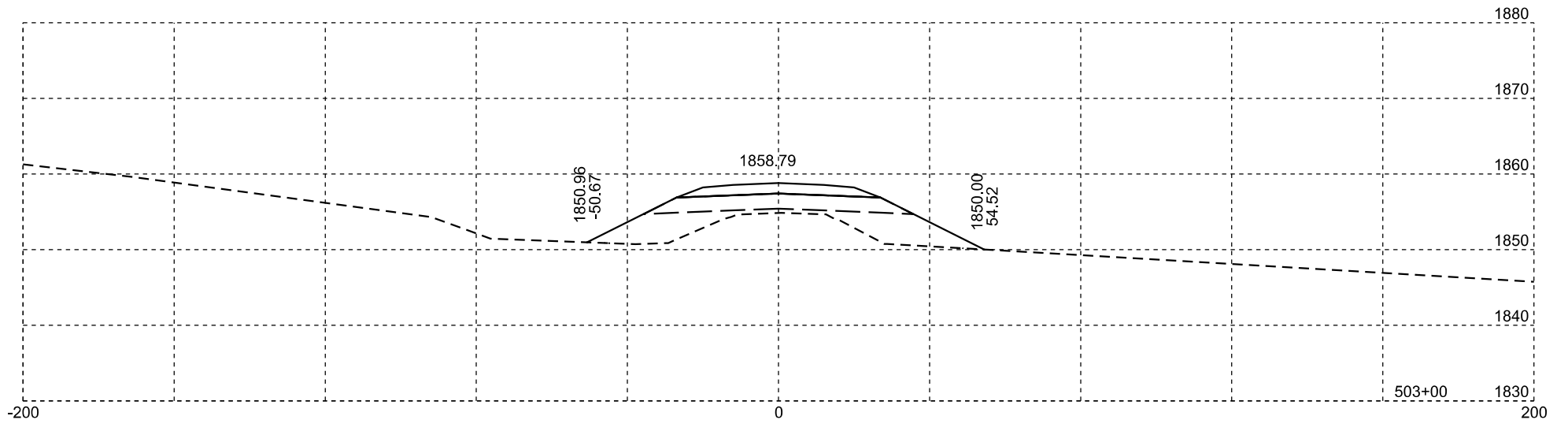
Plotting Date: 10/23/2024

STATE OF SOUTH DAKOTA	PROJECT	SHEET NO.	TOTAL SHEETS
	PH 0028(36)355	X97	X134



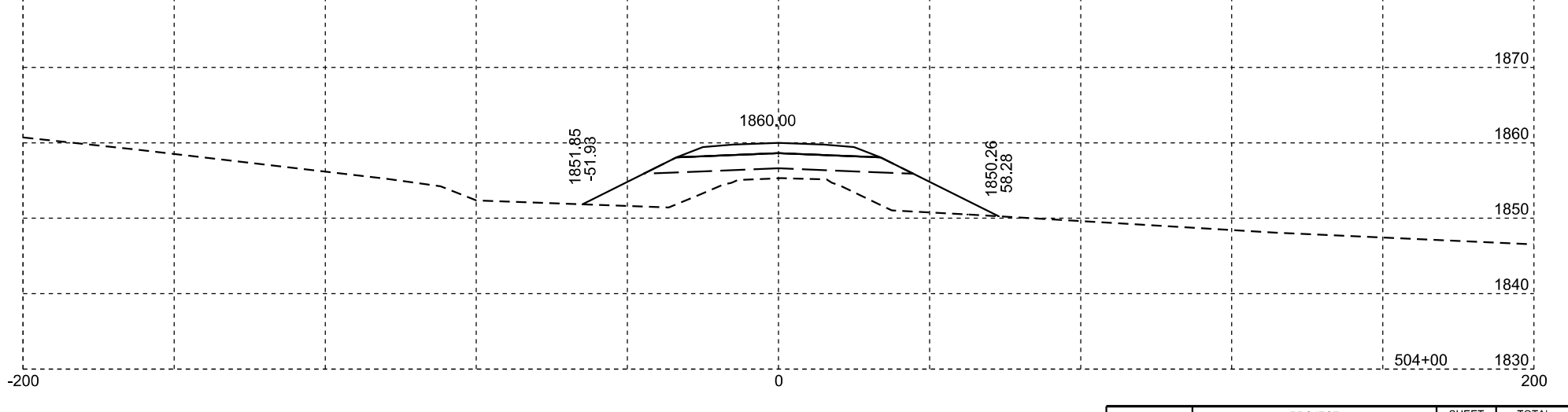
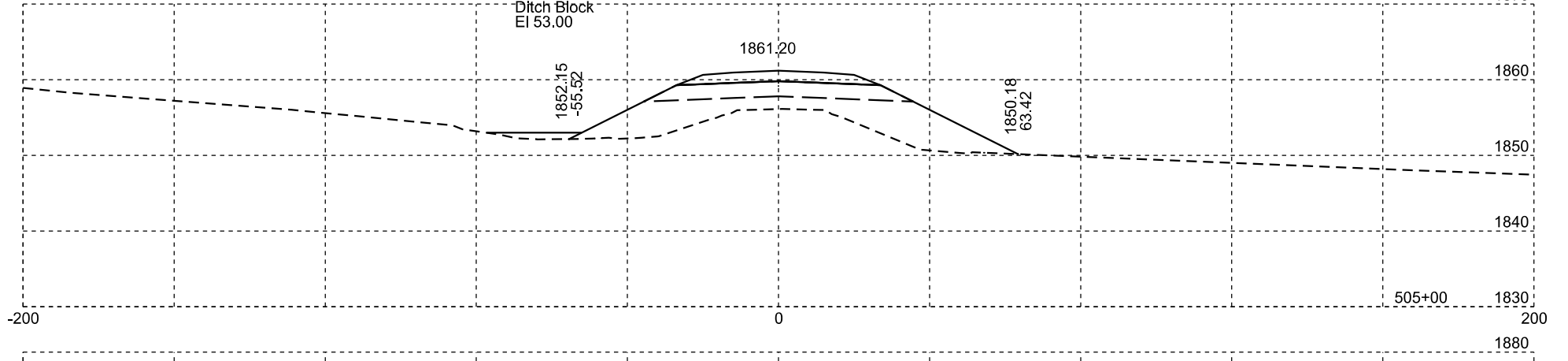
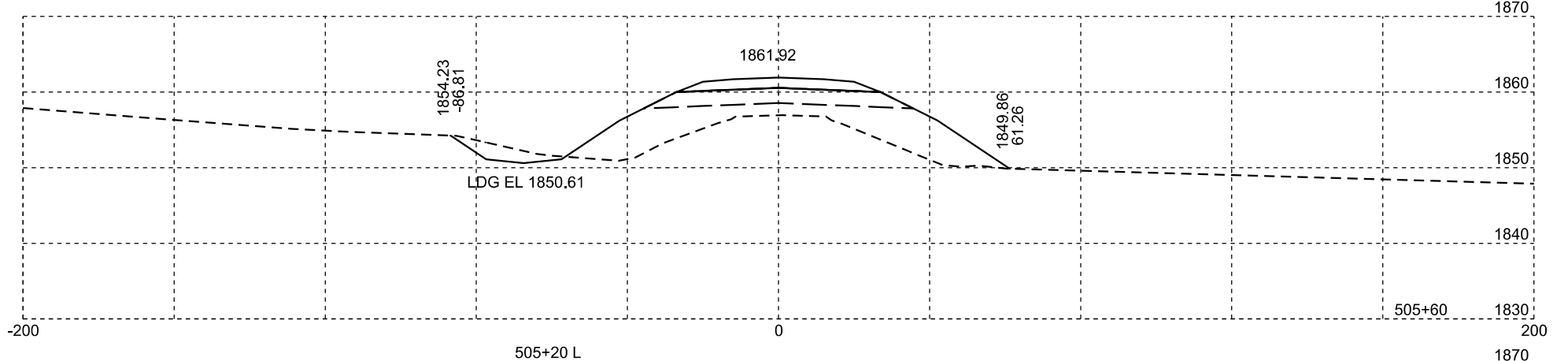
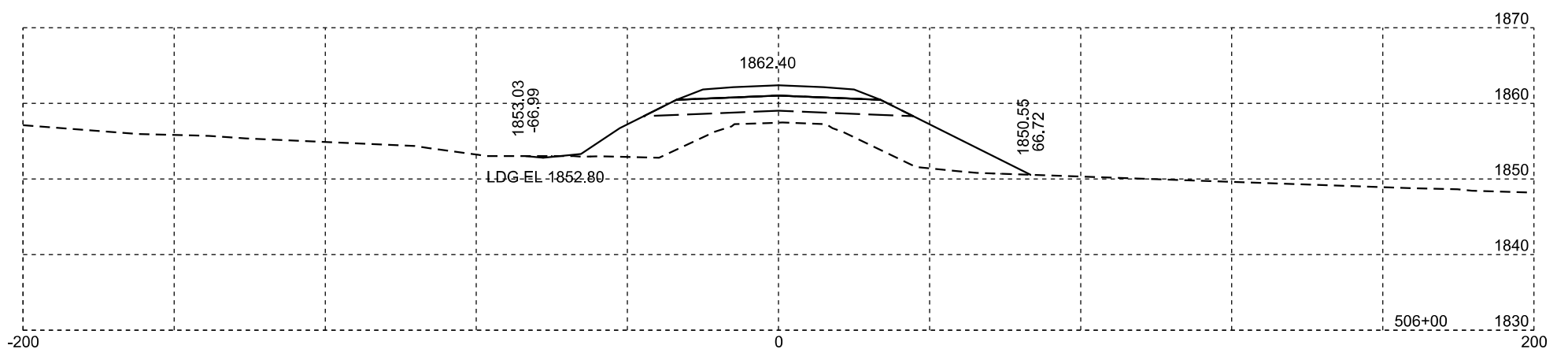
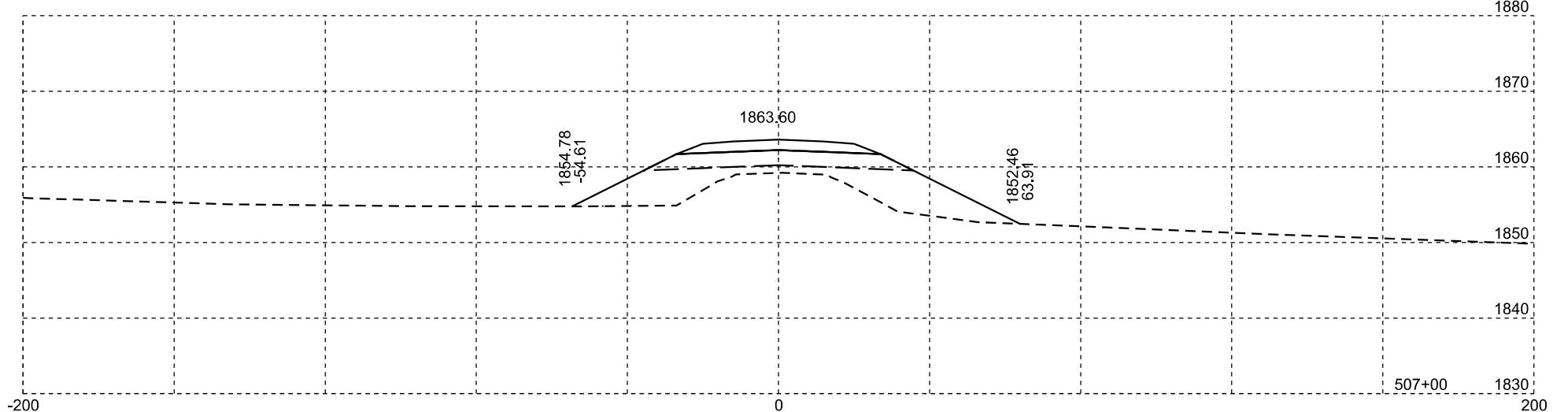
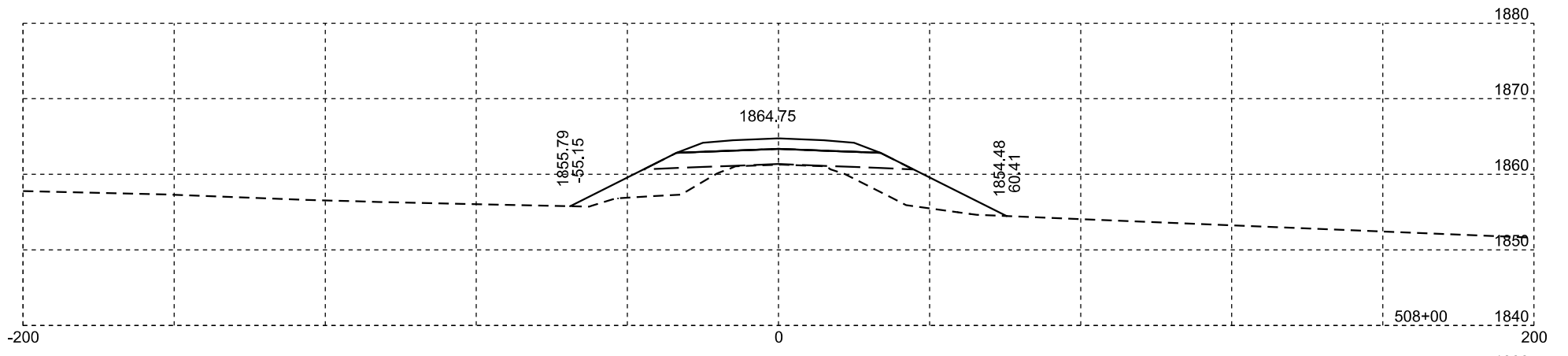
Plotting Date: 10/23/2024

STATE OF SOUTH DAKOTA	PROJECT	SHEET NO.	TOTAL SHEETS
	PH 0028(36)355	X98	X134



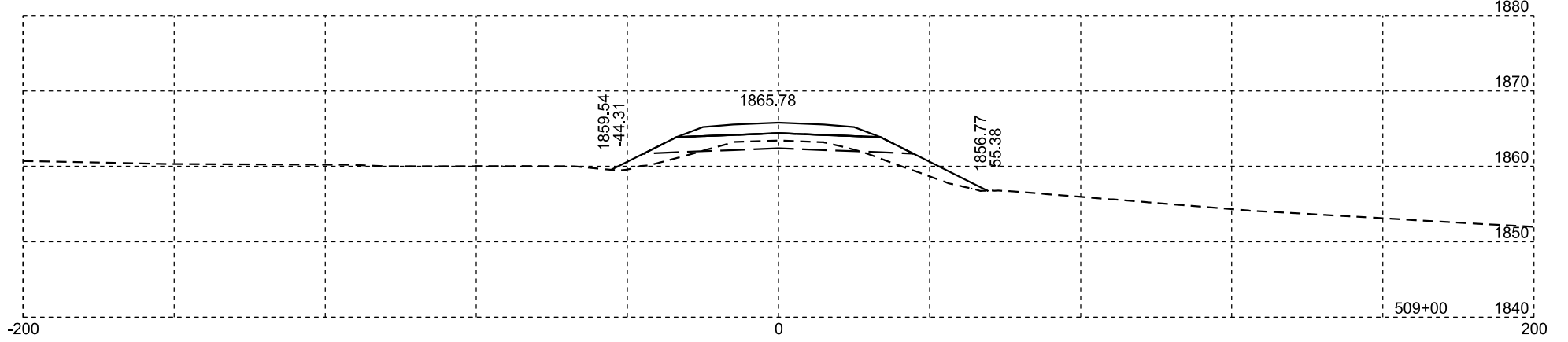
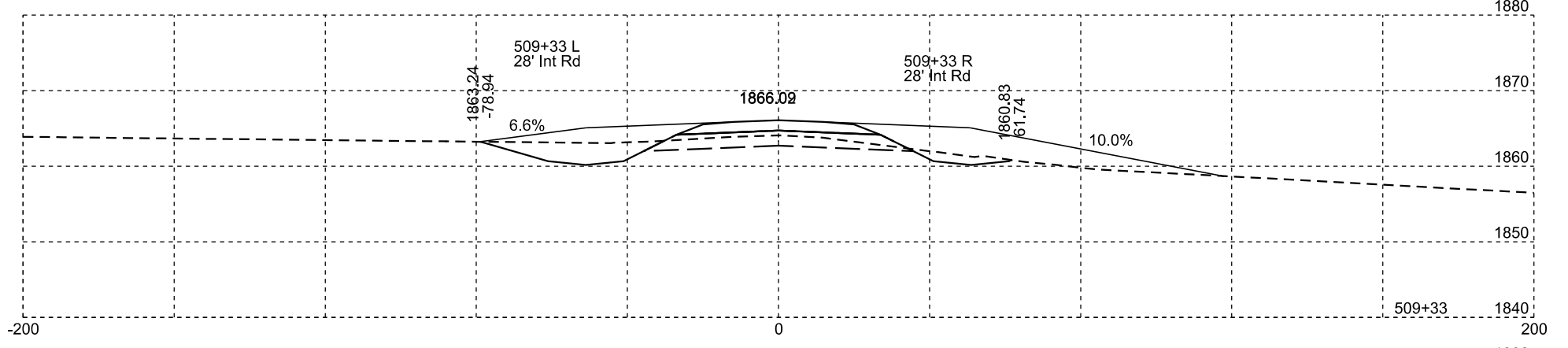
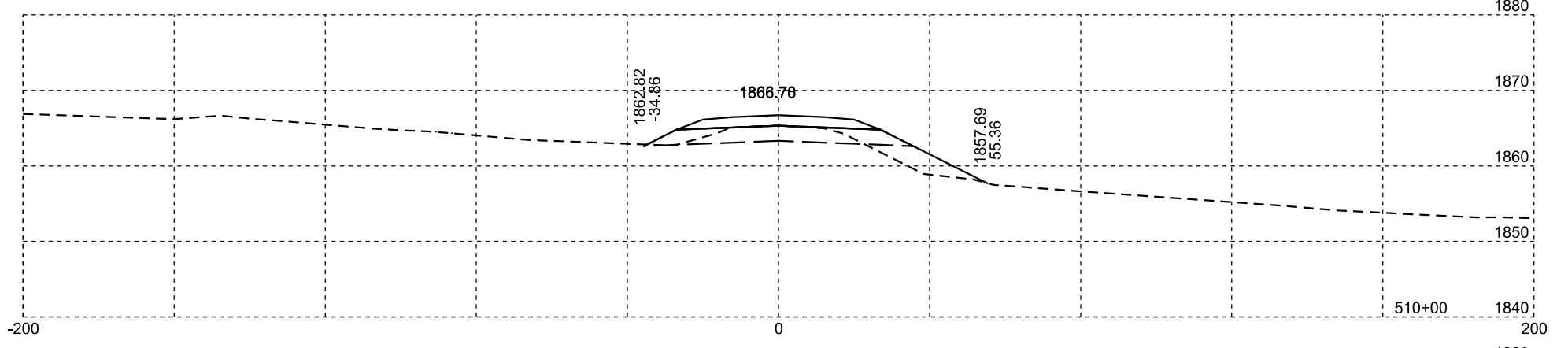
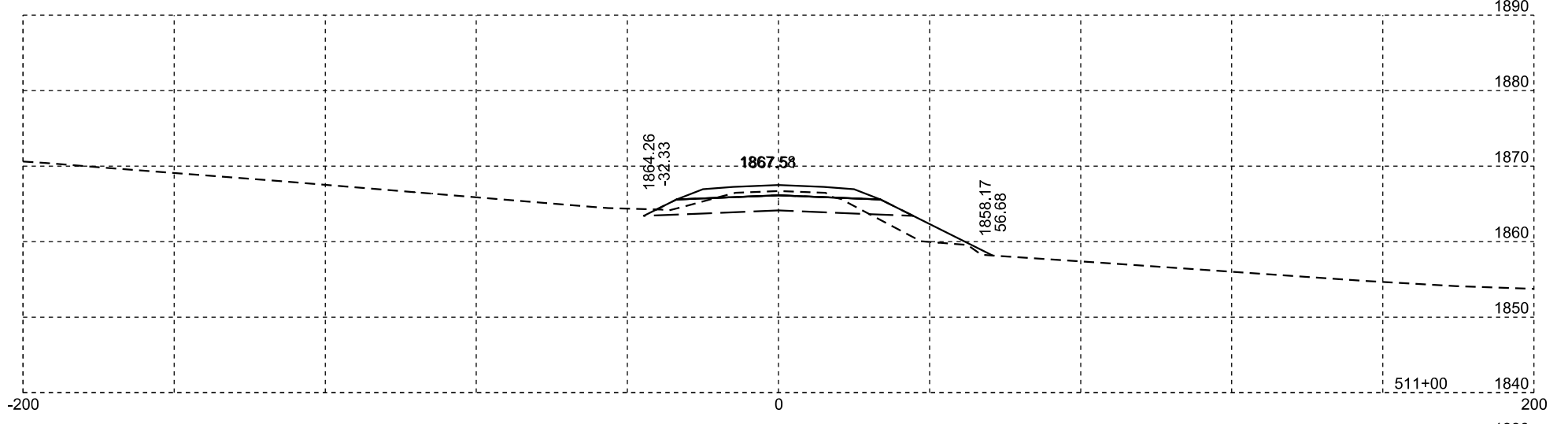
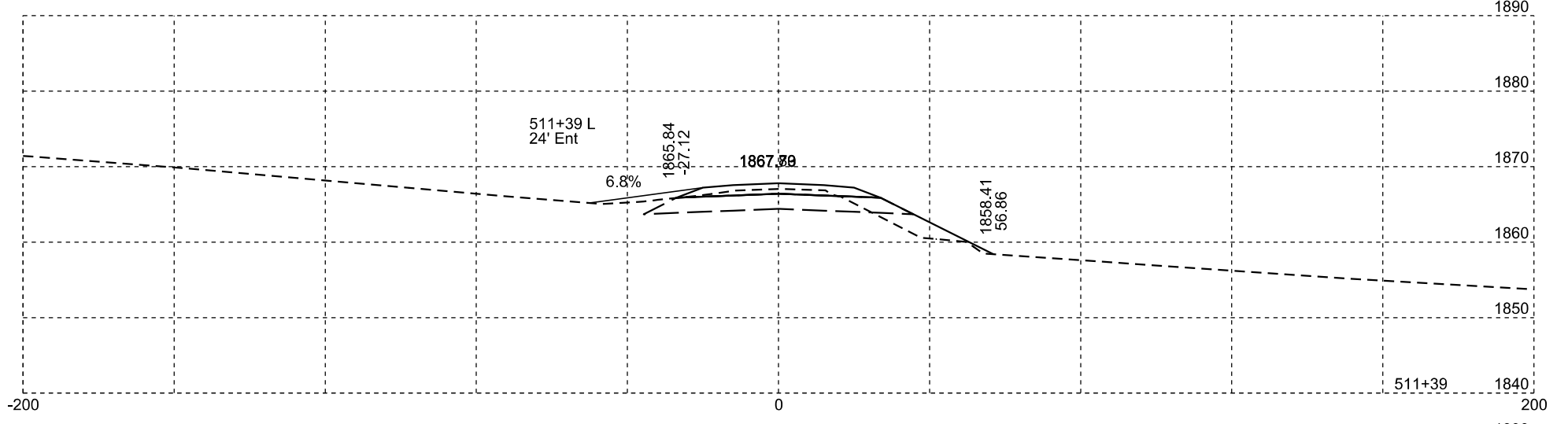
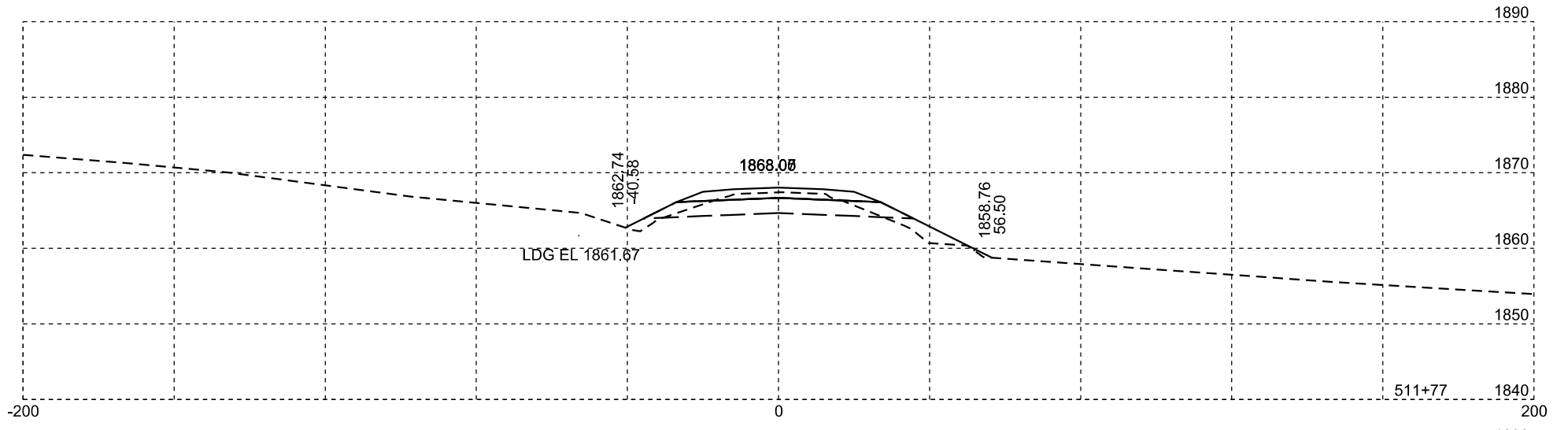
Plotting Date: 10/23/2024

STATE OF SOUTH DAKOTA	PROJECT	SHEET NO.	TOTAL SHEETS
	PH 0028(36)355	X99	X134



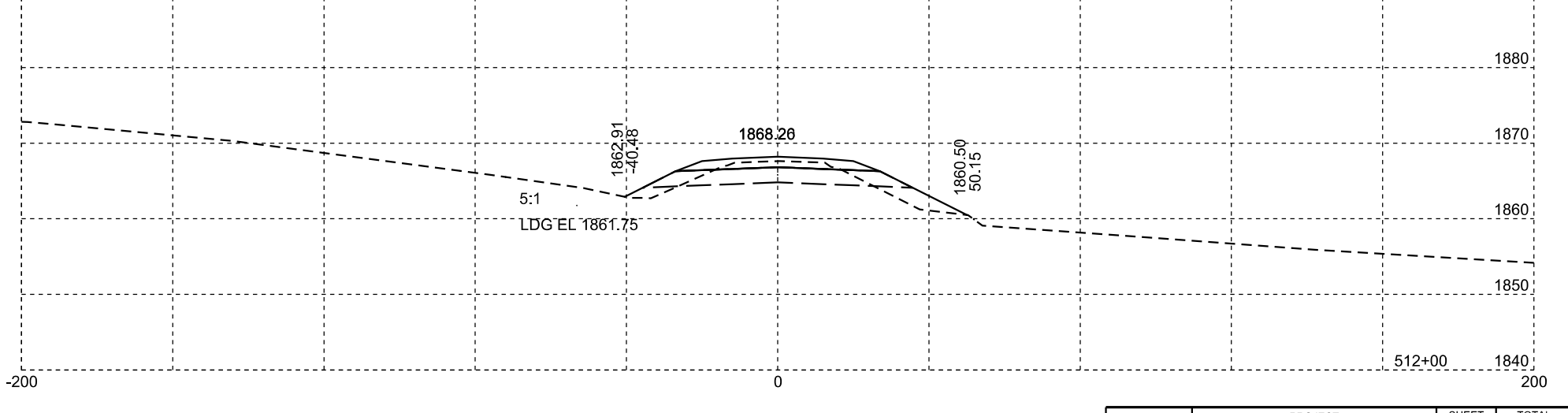
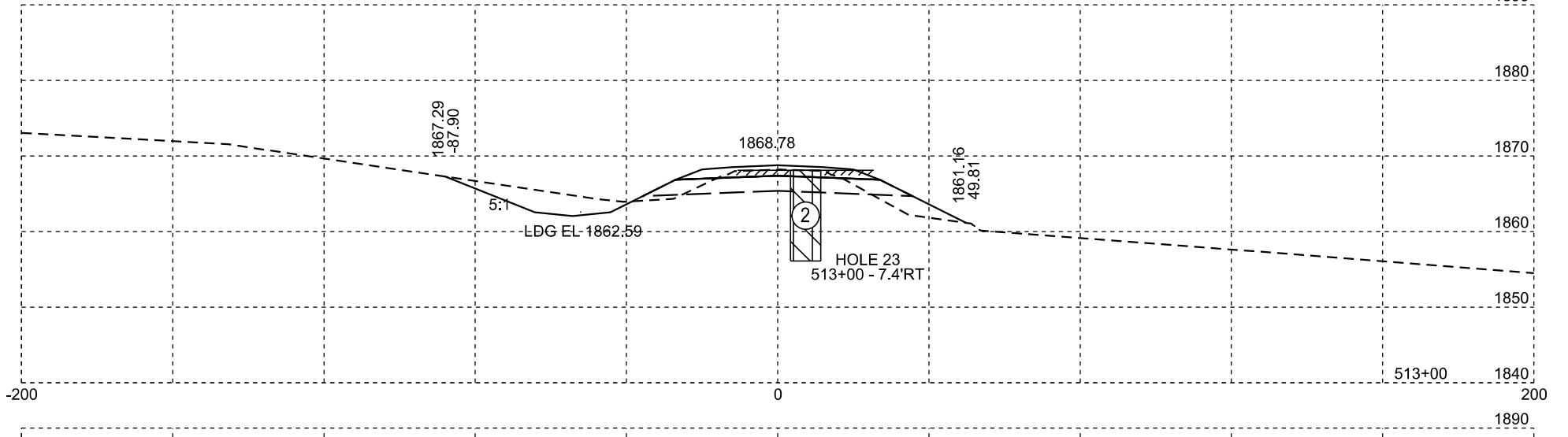
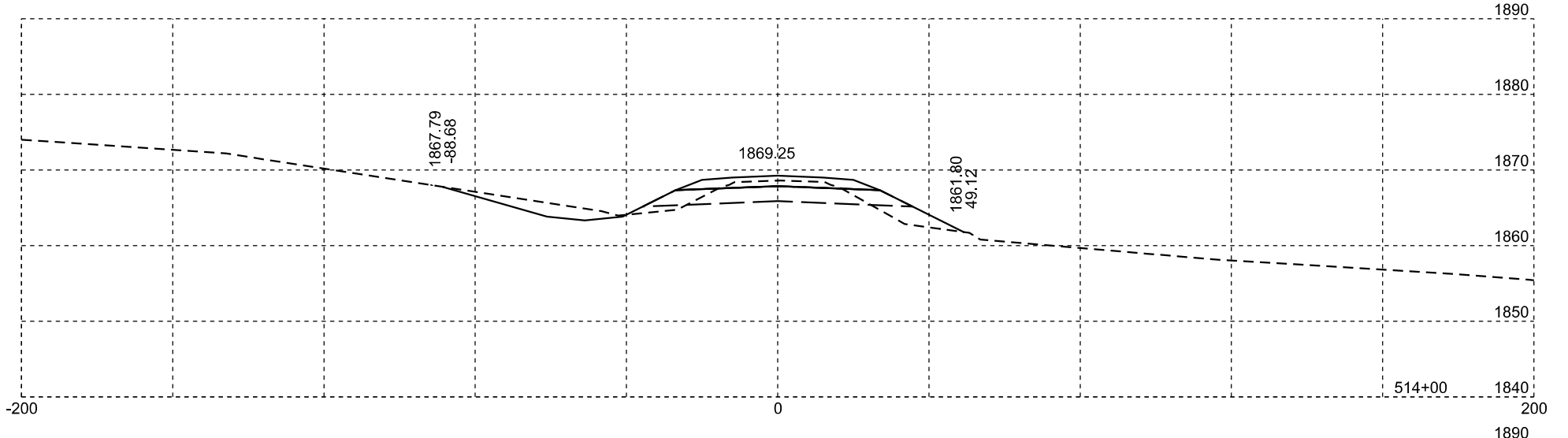
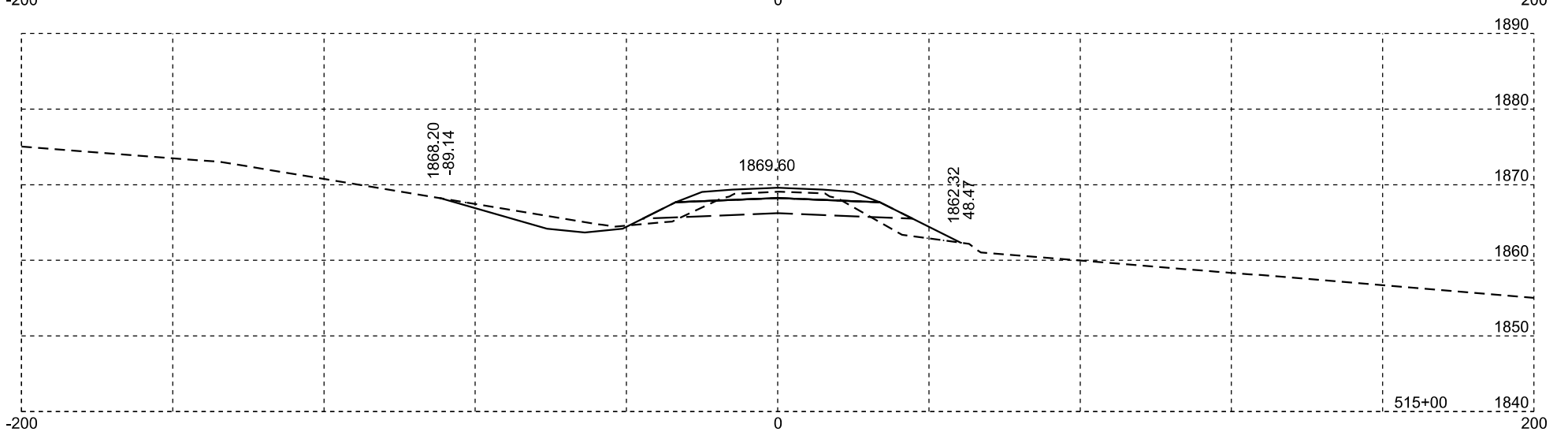
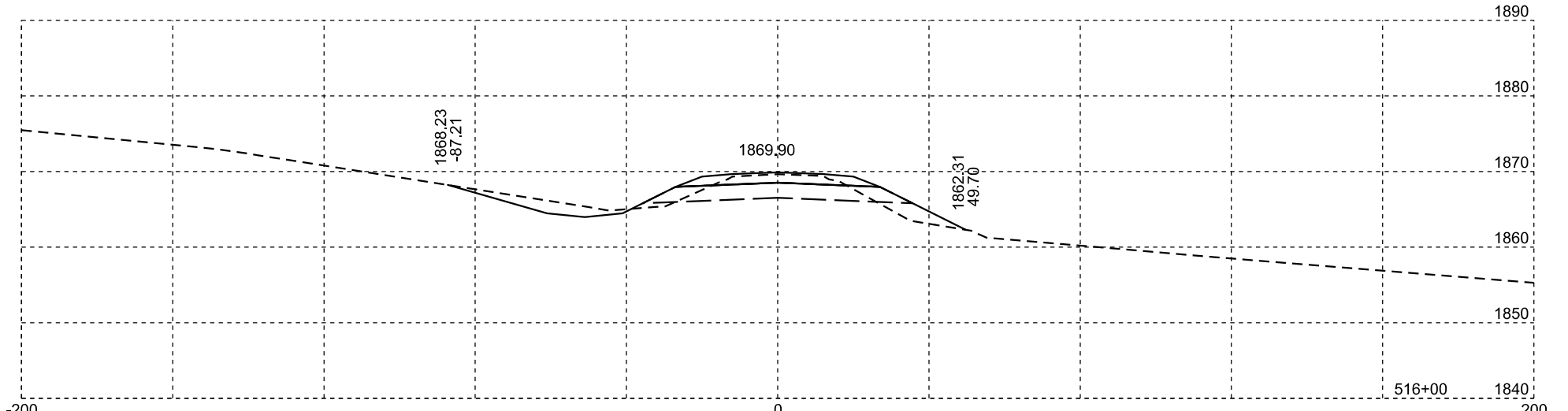
Plotting Date: 10/23/2024

STATE OF SOUTH DAKOTA	PROJECT	SHEET NO.	TOTAL SHEETS
	PH 0028(36)355	X100	X134



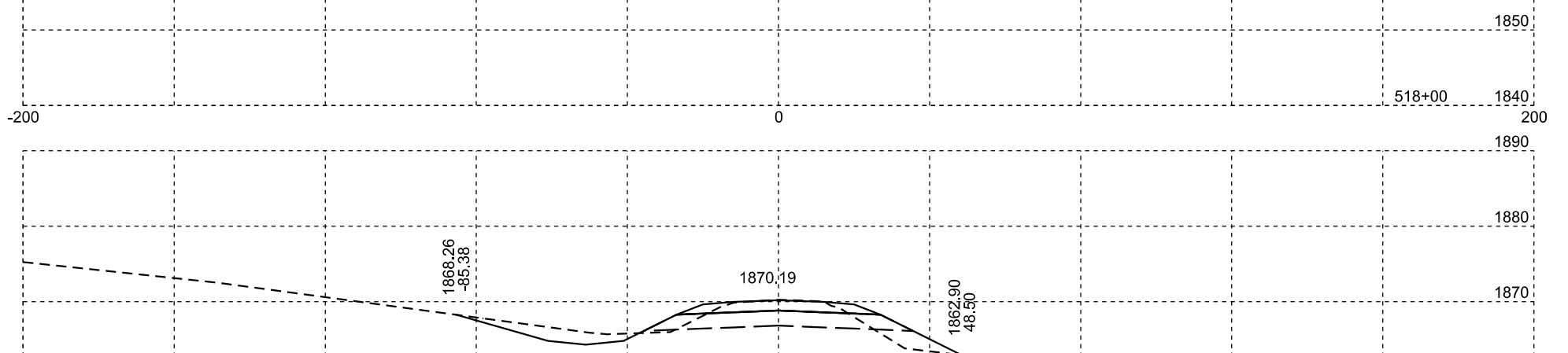
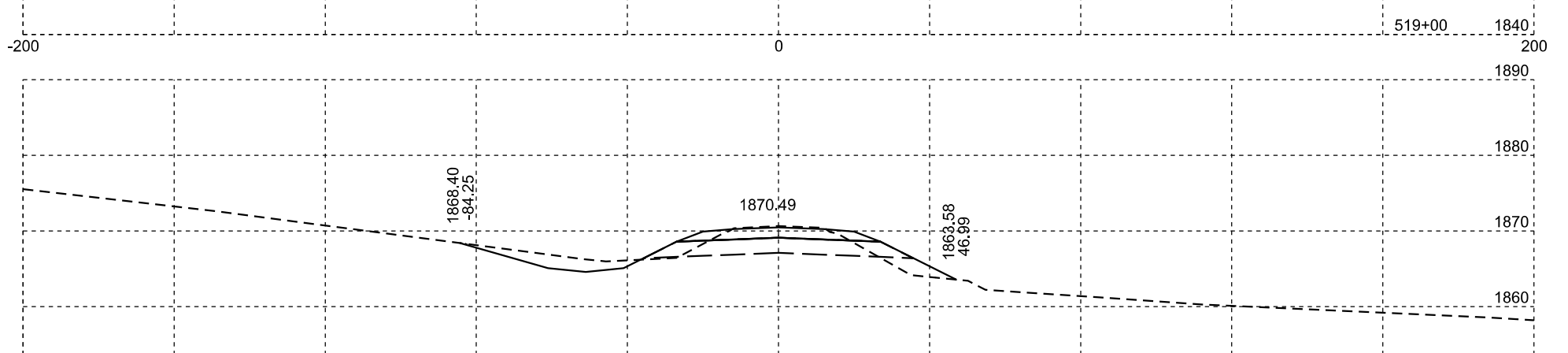
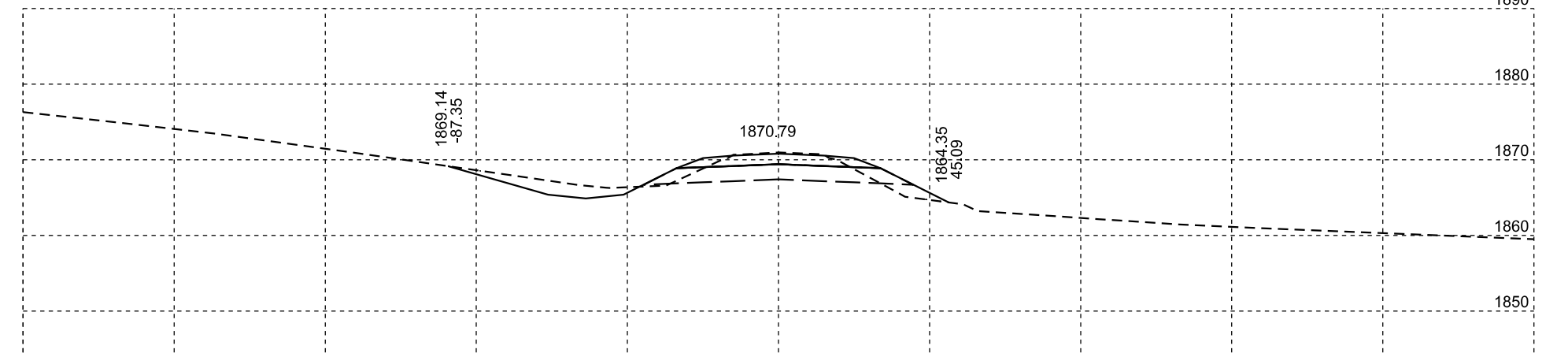
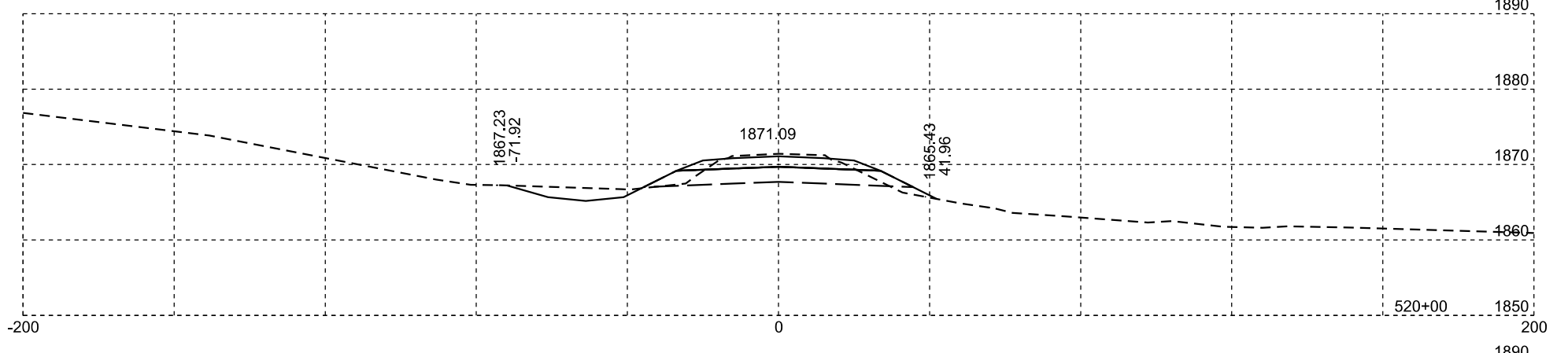
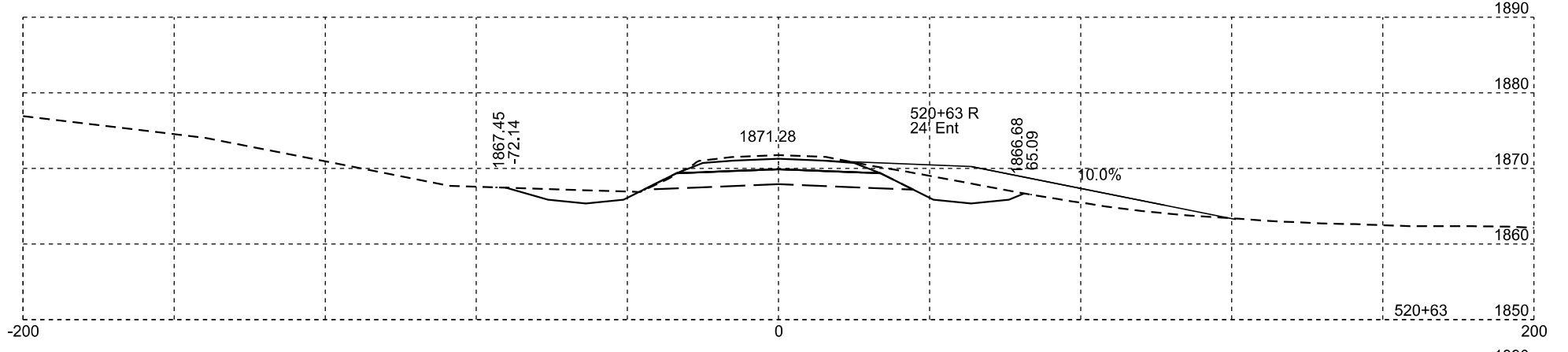
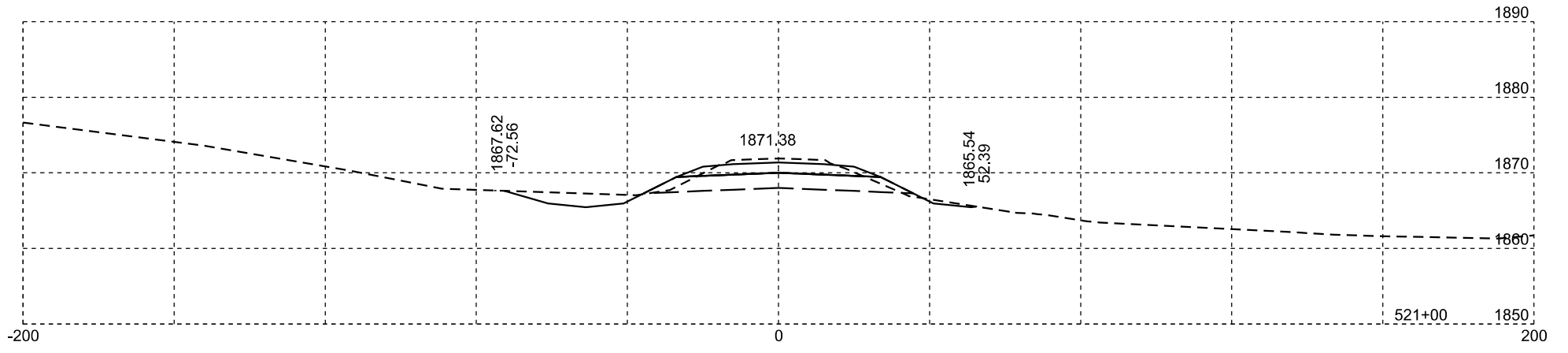
Plotting Date: 10/23/2024

STATE OF SOUTH DAKOTA	PROJECT	SHEET NO.	TOTAL SHEETS
	PH 0028(36)355	X101	X134



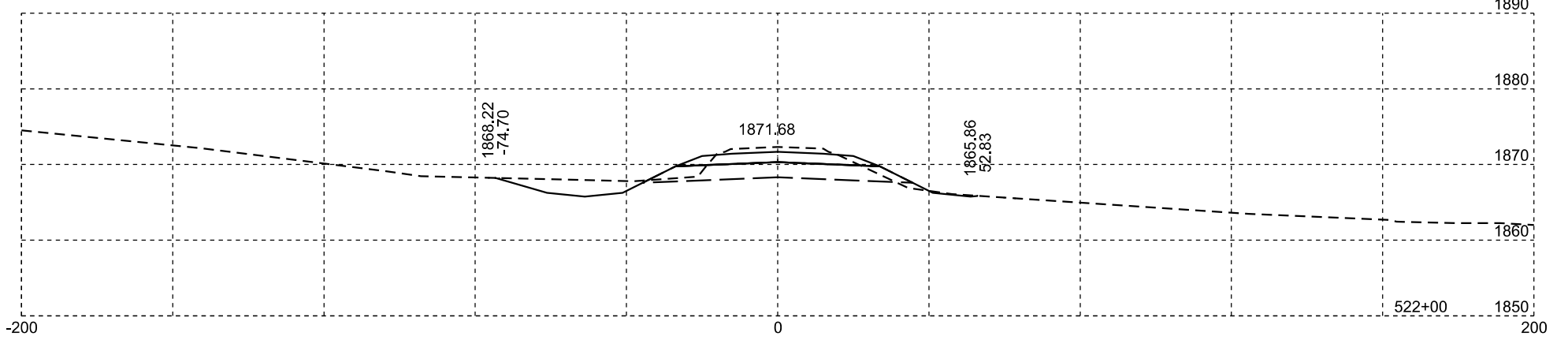
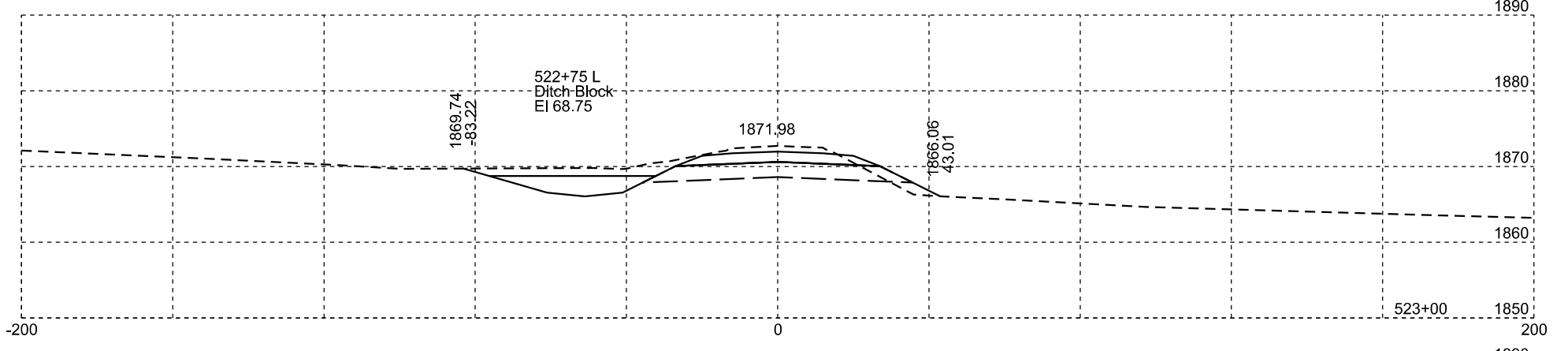
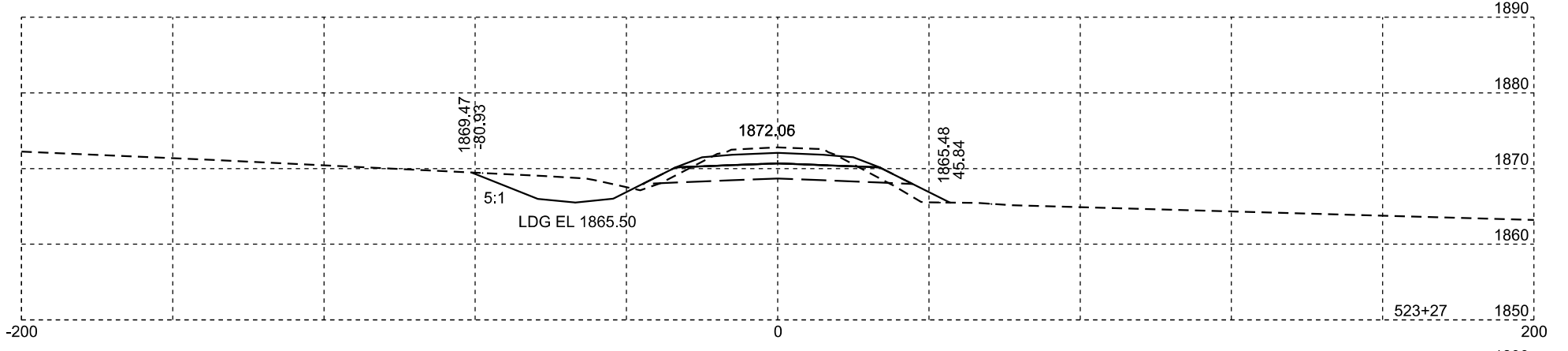
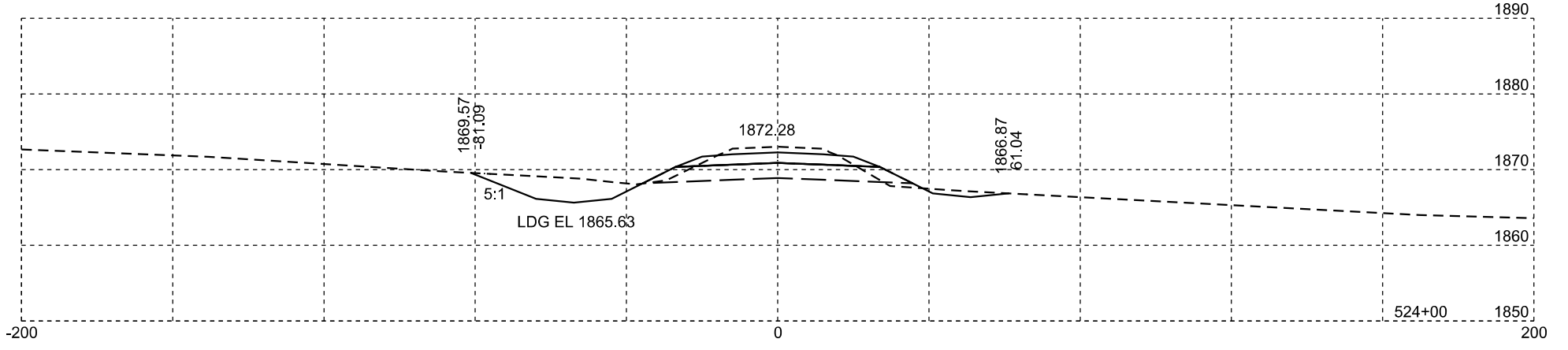
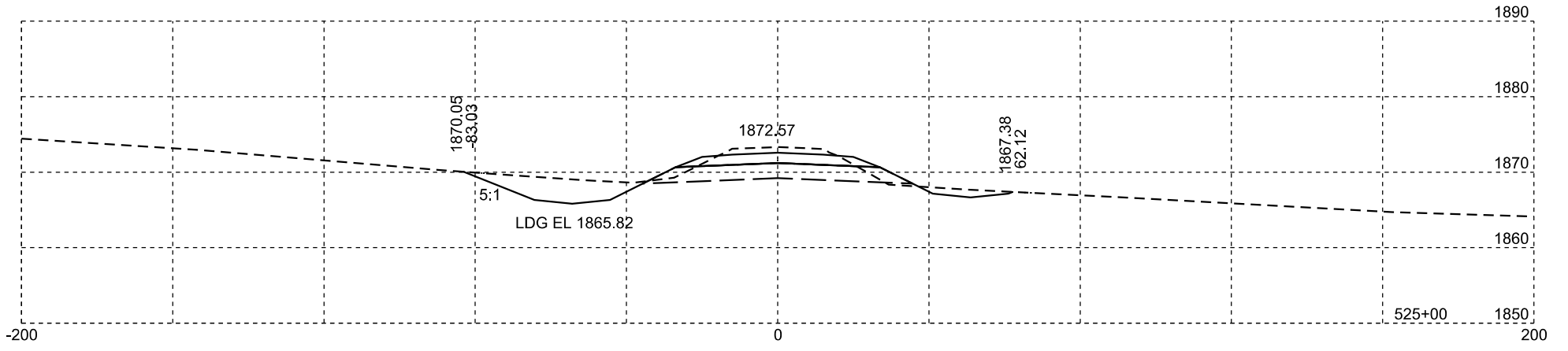
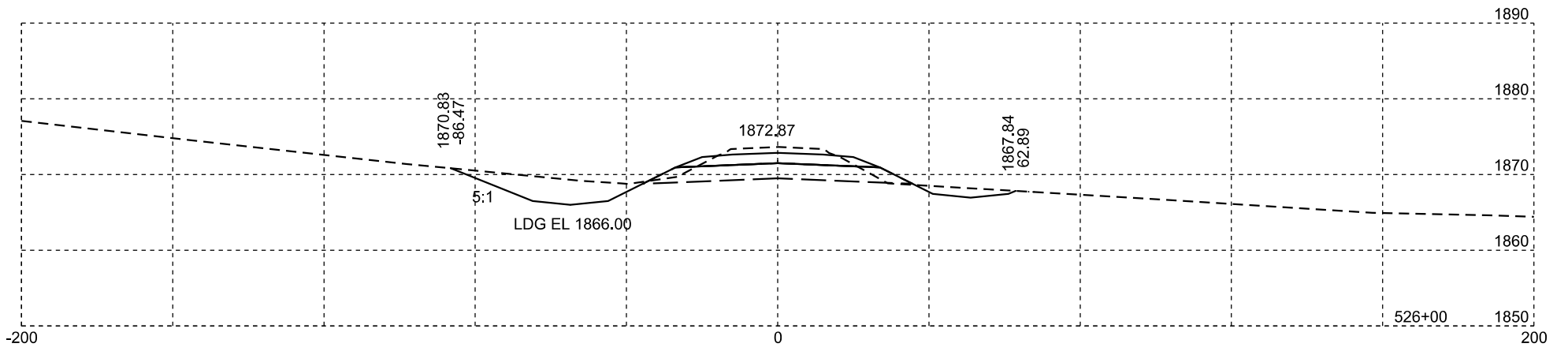
Plotting Date: 10/23/2024

STATE OF SOUTH DAKOTA	PROJECT	SHEET NO.	TOTAL SHEETS
	PH 0028(36)355	X102	X134



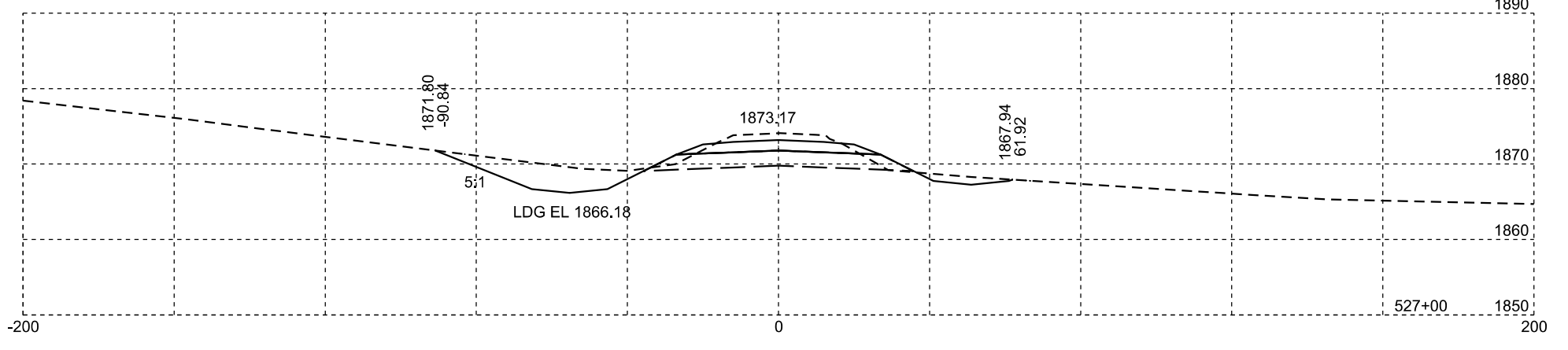
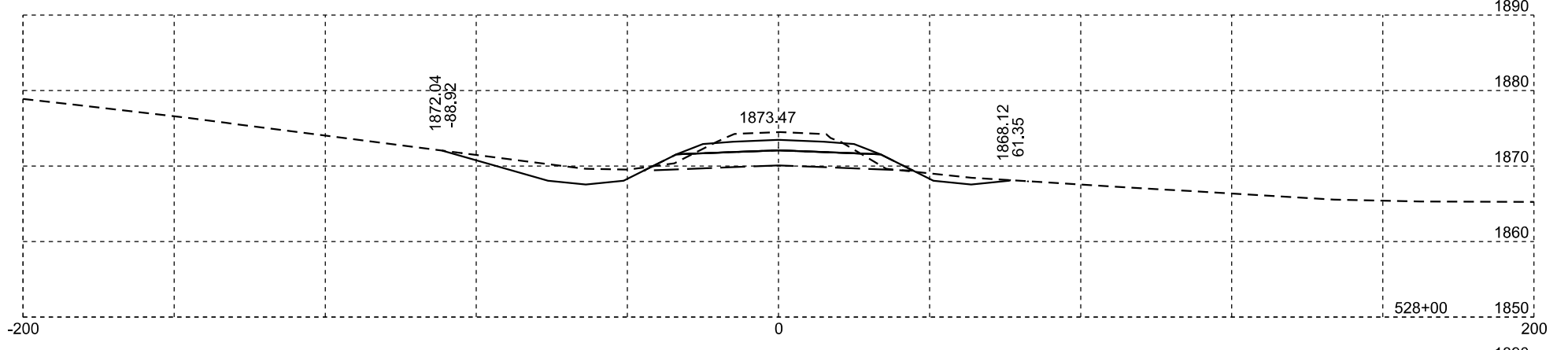
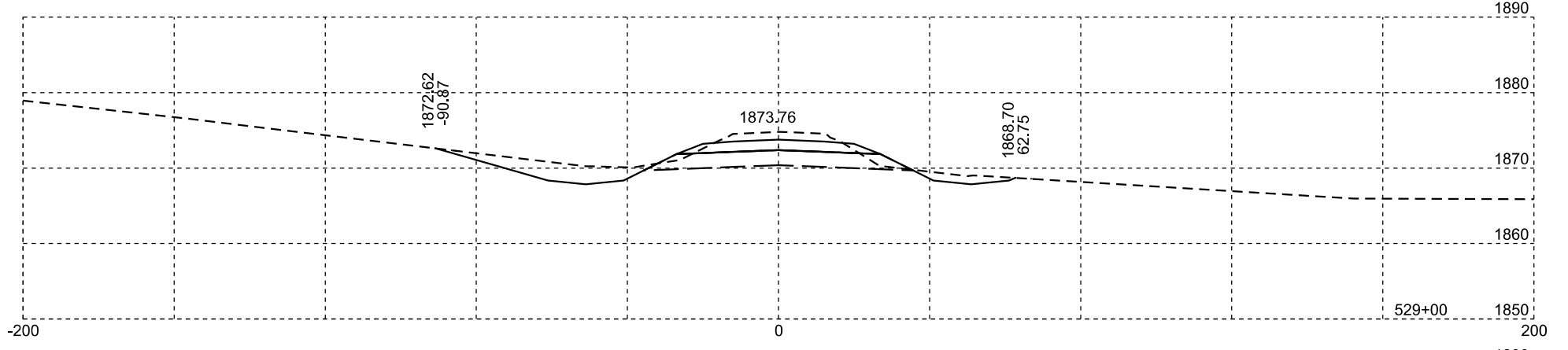
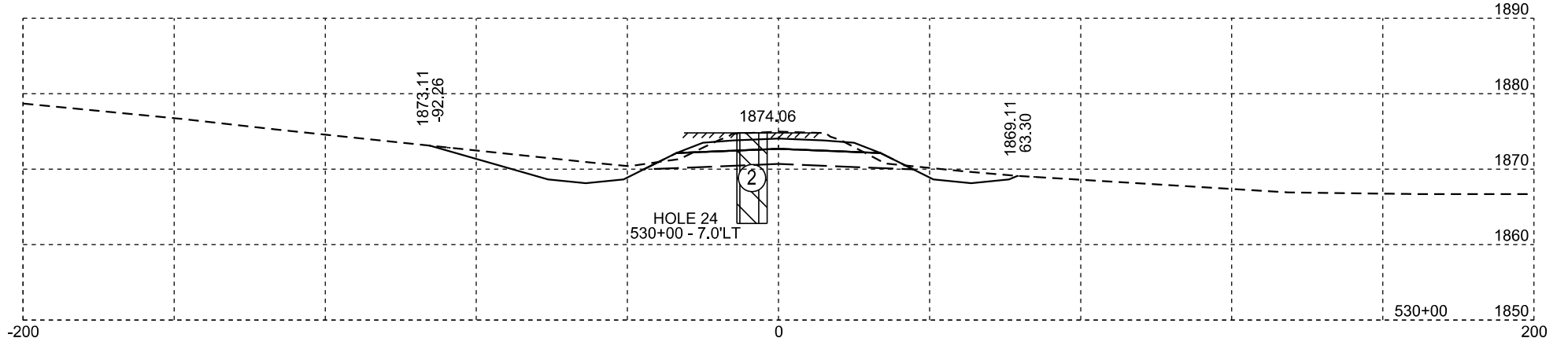
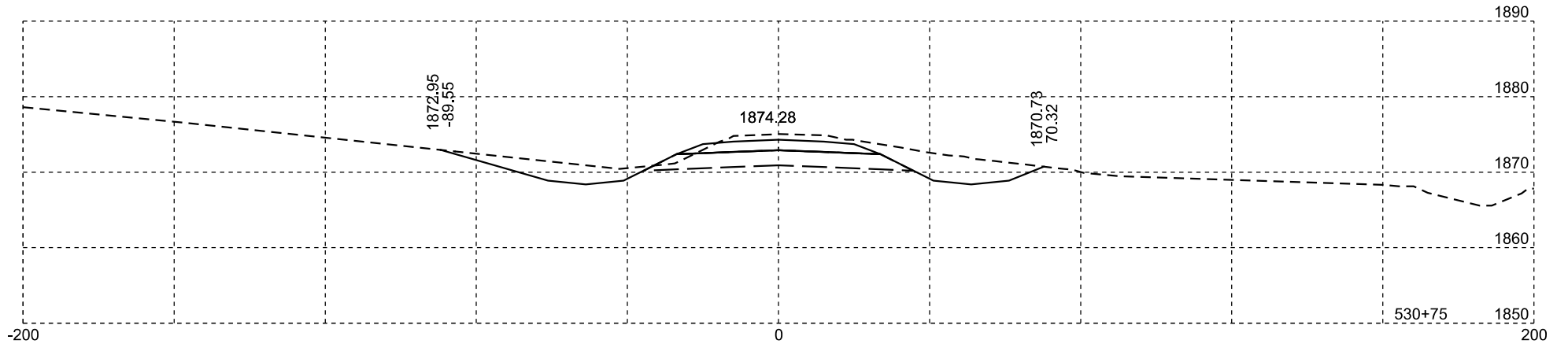
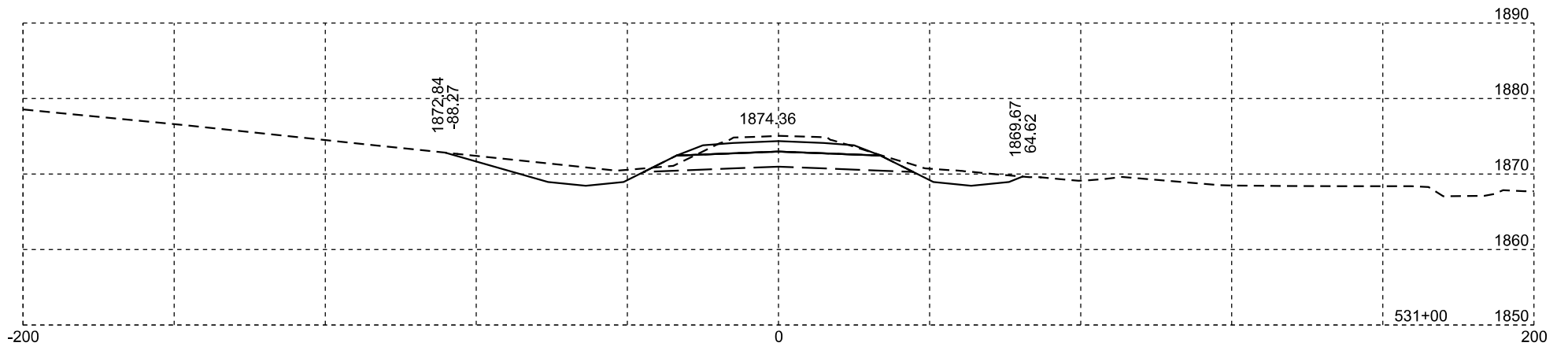
Plotting Date: 10/23/2024

STATE OF SOUTH DAKOTA	PROJECT	SHEET NO.	TOTAL SHEETS
	PH 0028(36)355	X103	X134



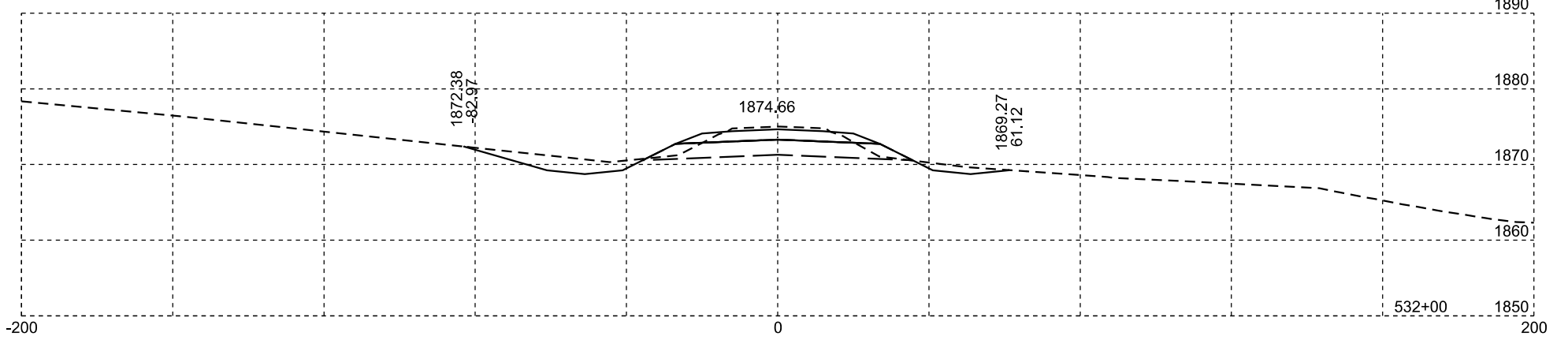
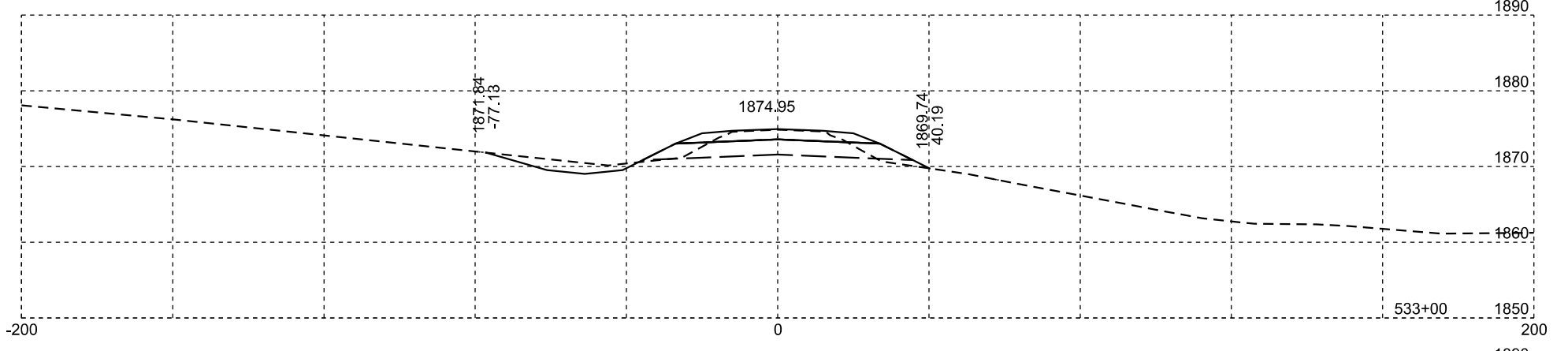
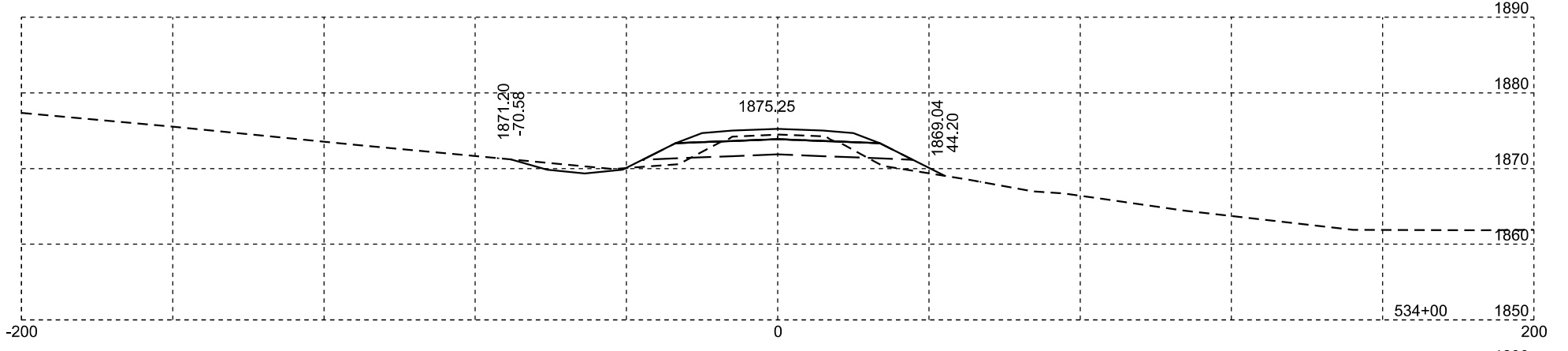
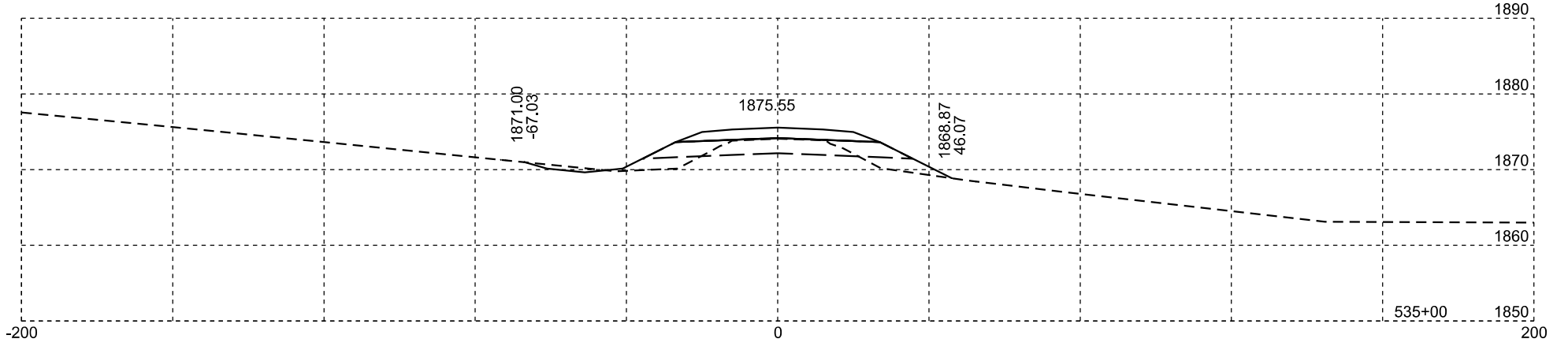
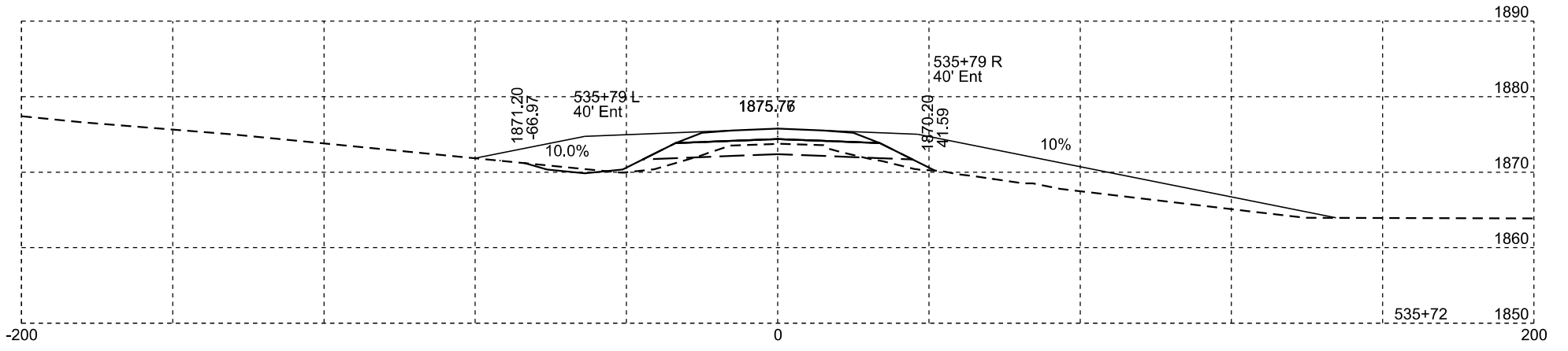
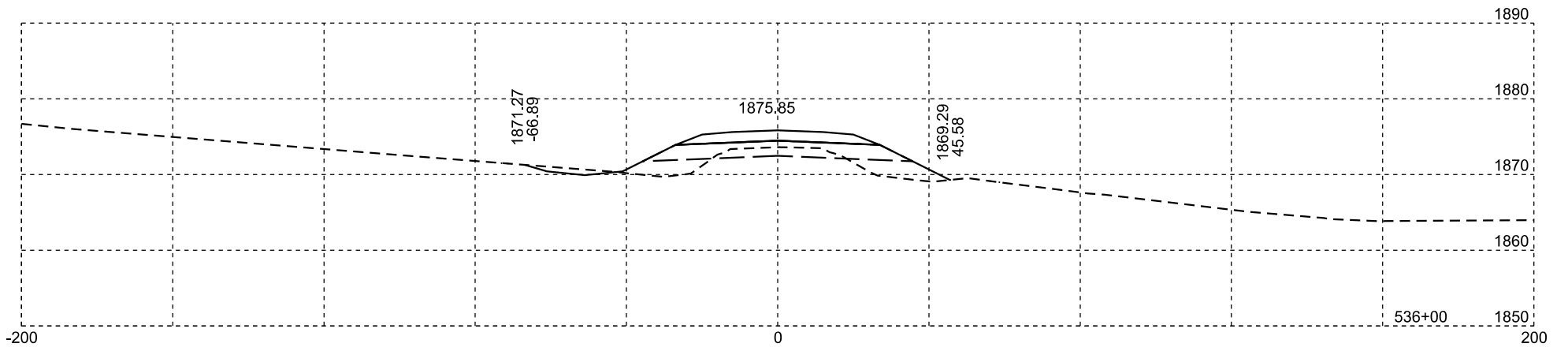
Plotting Date: 10/23/2024

STATE OF SOUTH DAKOTA	PROJECT	SHEET NO.	TOTAL SHEETS
	PH 0028(36)355	X104	X134



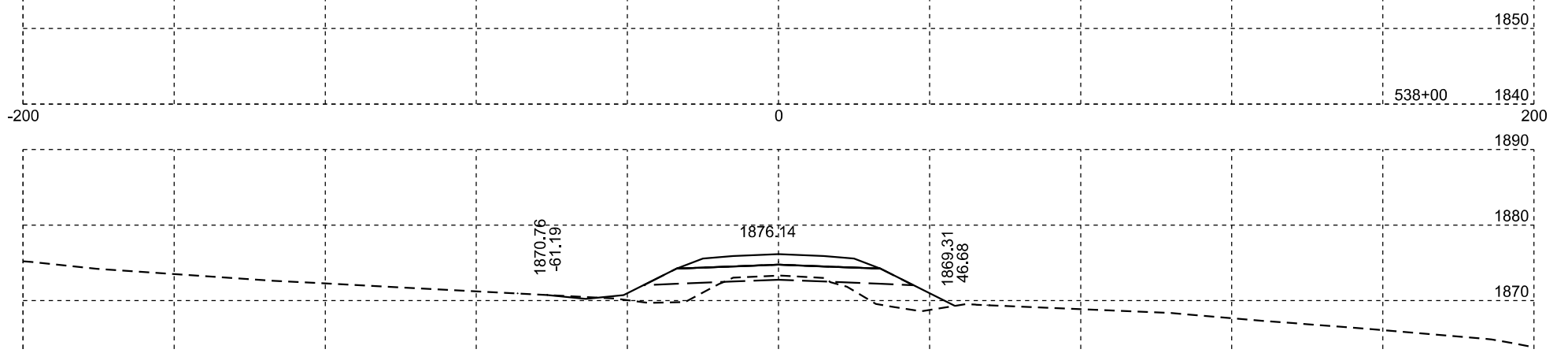
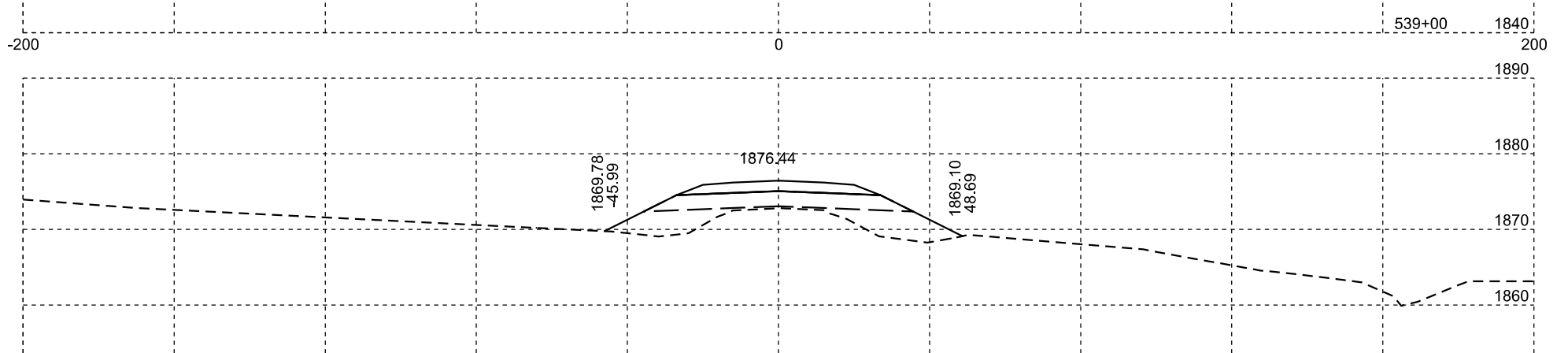
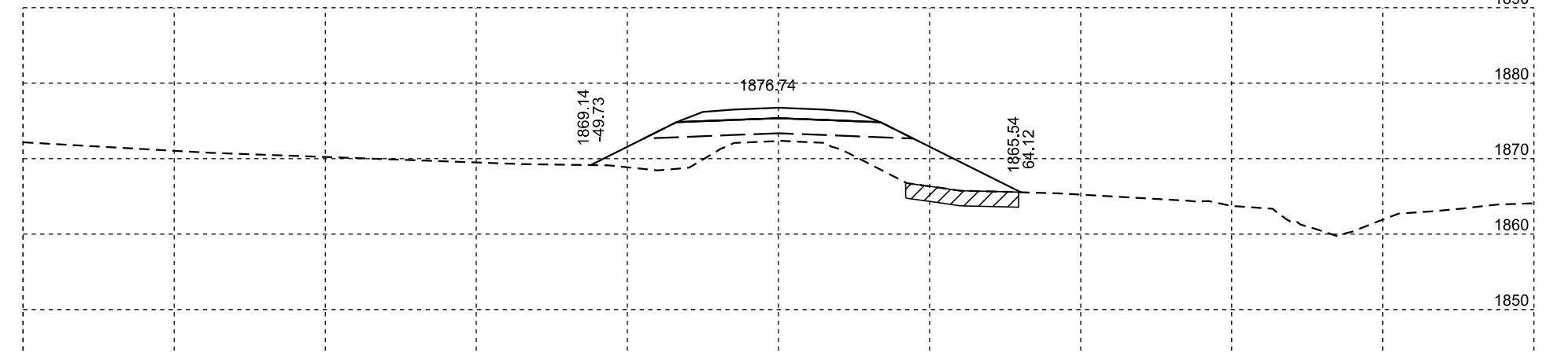
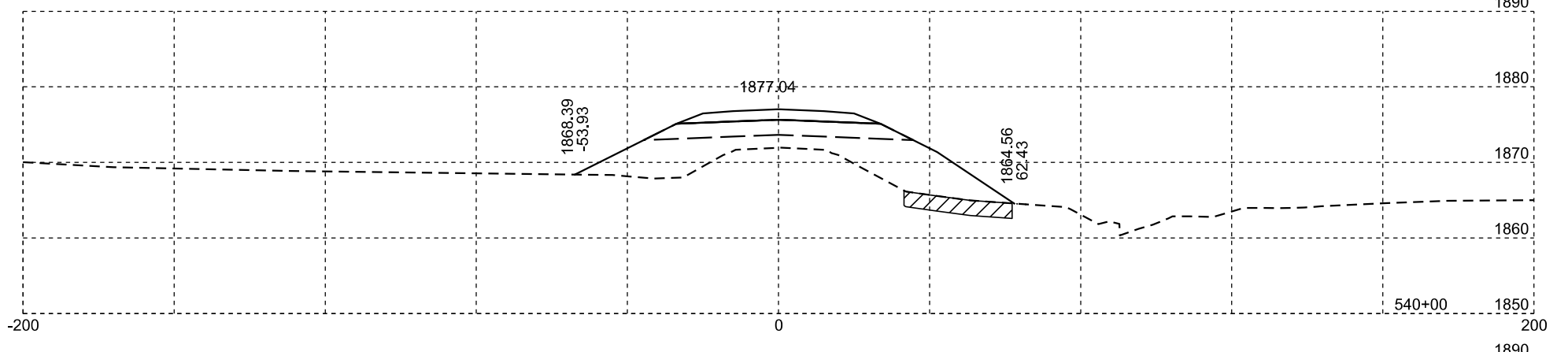
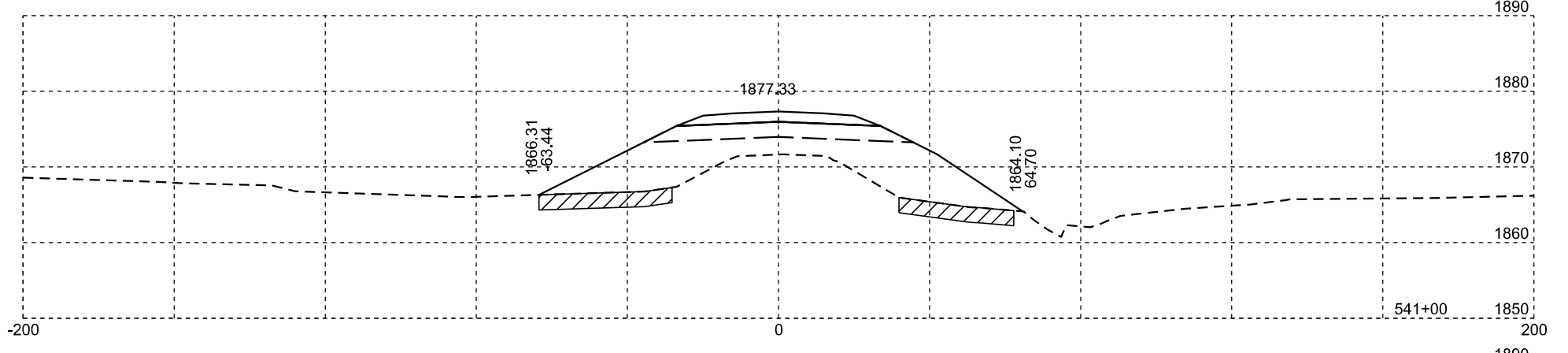
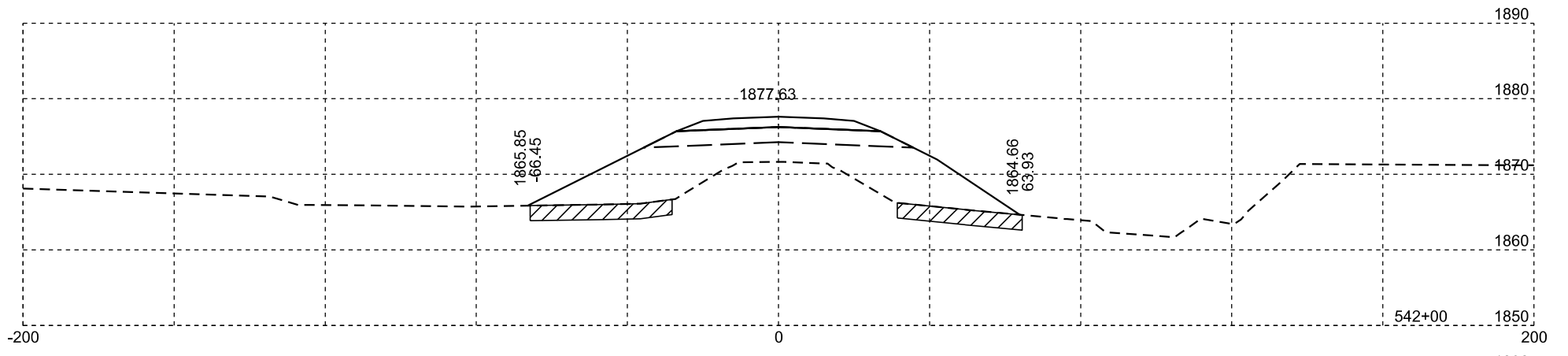
Plotting Date: 10/23/2024

STATE OF SOUTH DAKOTA	PROJECT	SHEET NO.	TOTAL SHEETS
	PH 0028(36)355	X105	X134



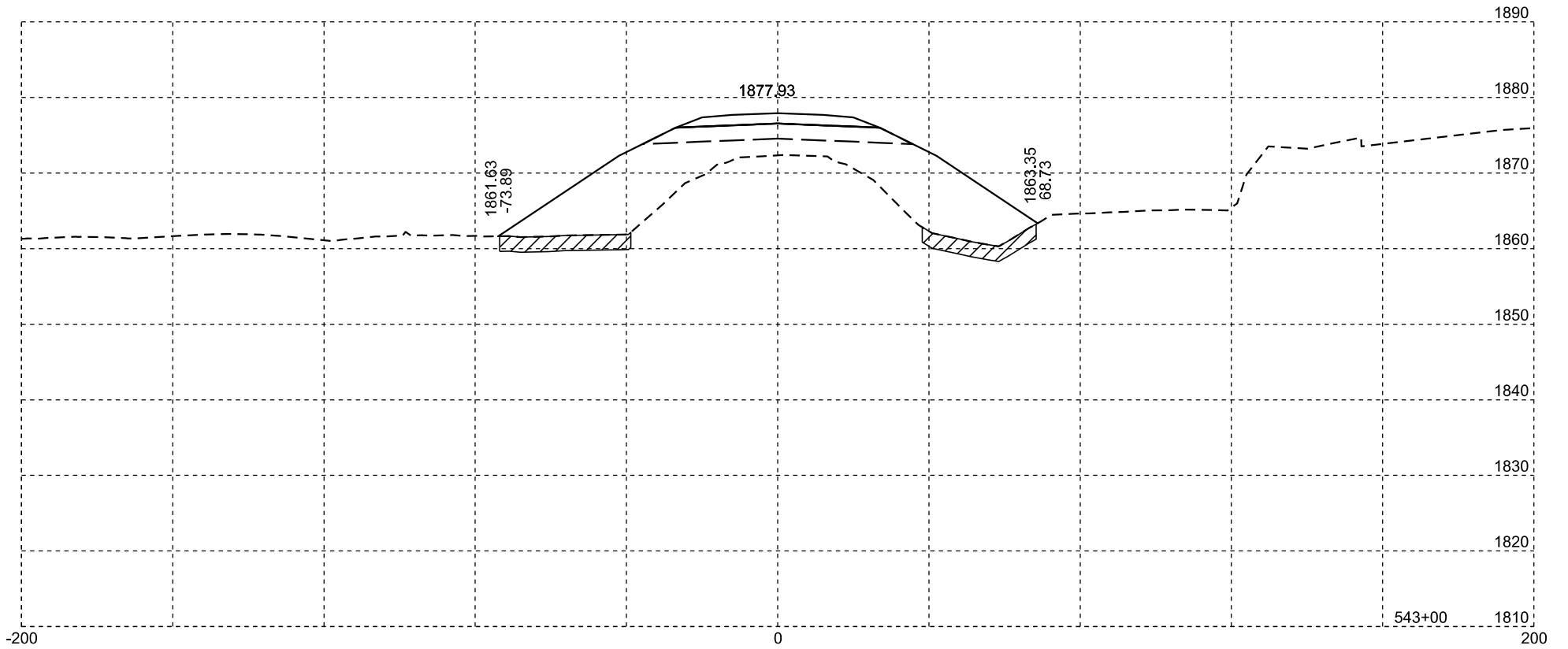
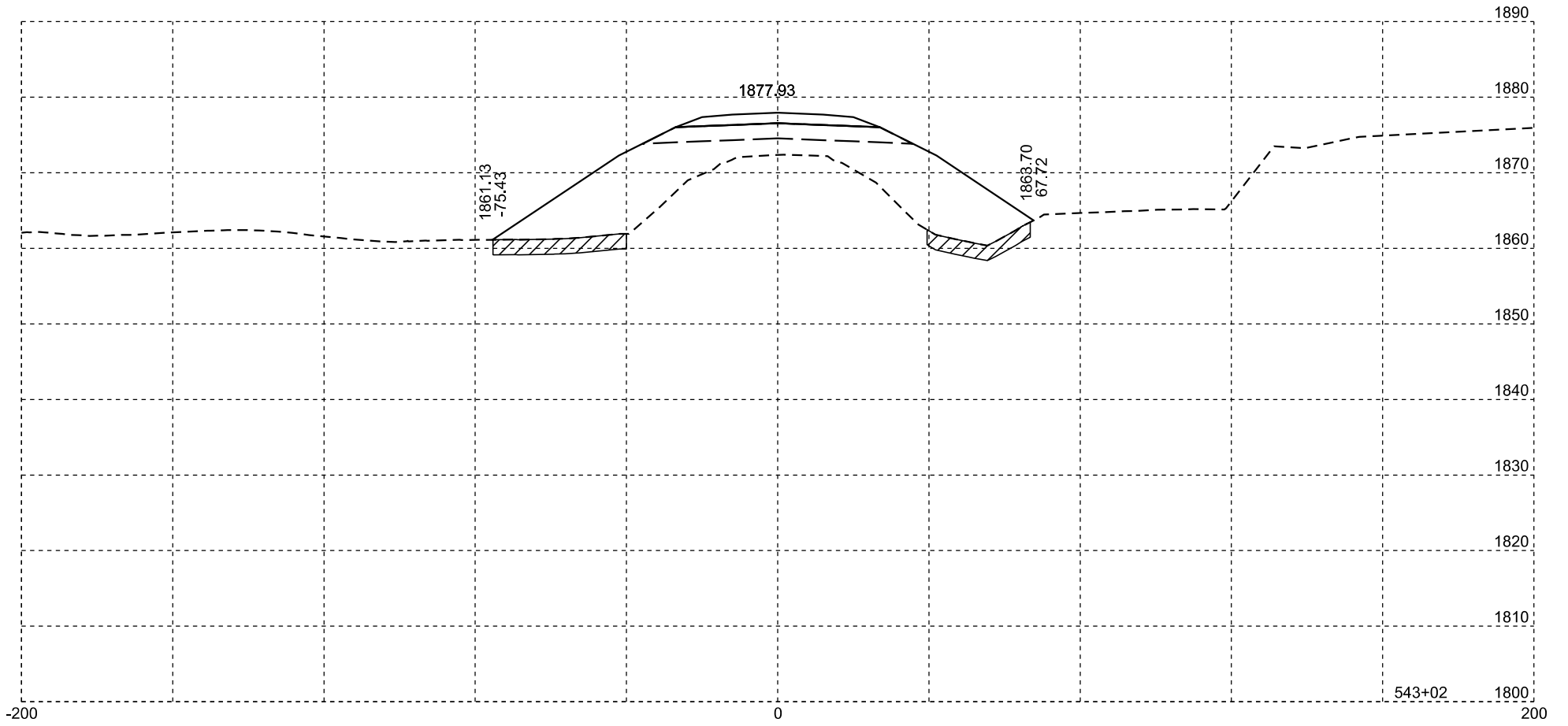
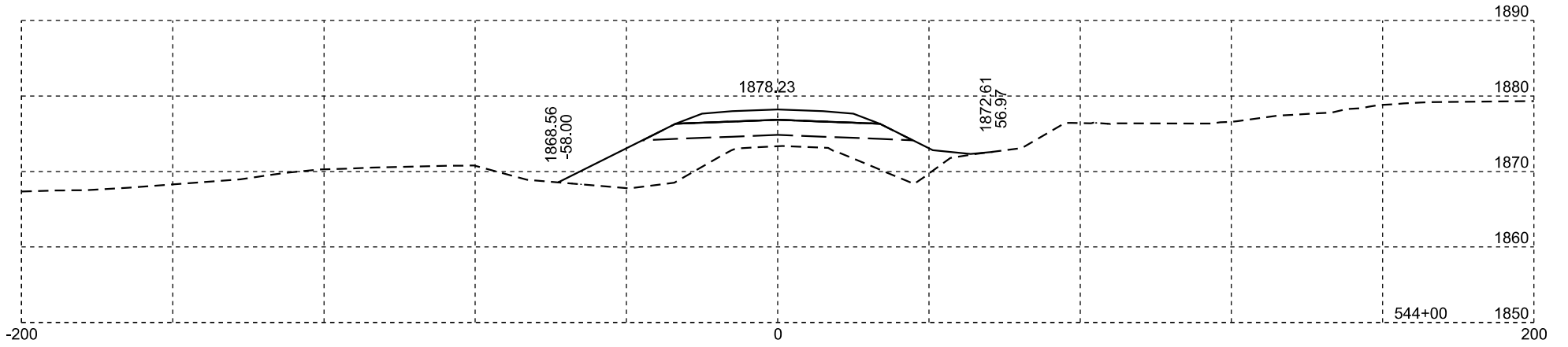
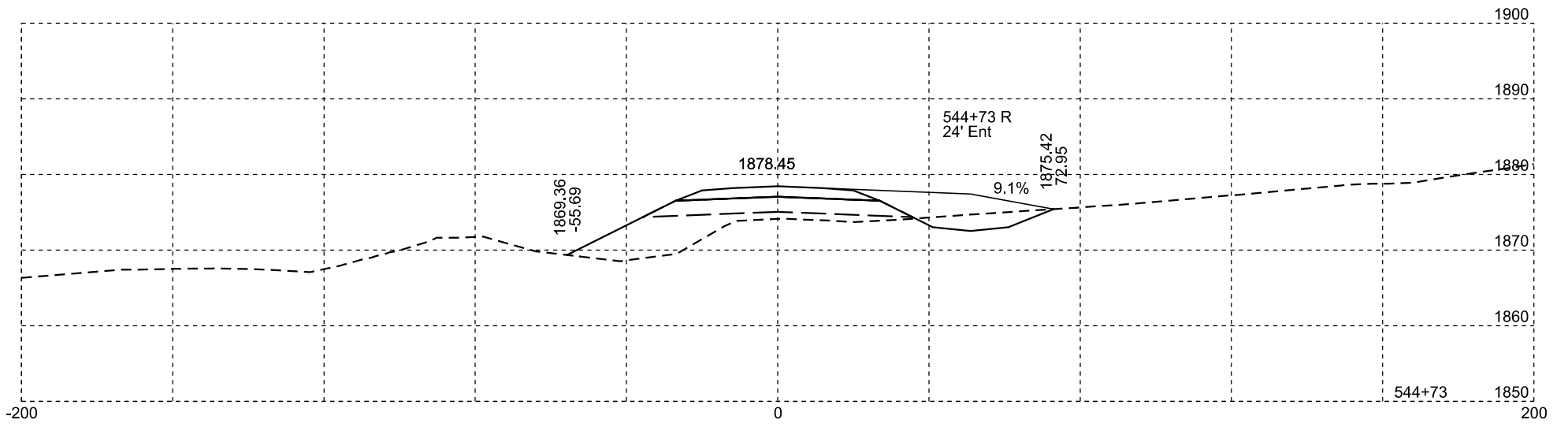
Plotting Date: 10/23/2024

STATE OF SOUTH DAKOTA	PROJECT	SHEET NO.	TOTAL SHEETS
	PH 0028(36)355	X106	X134



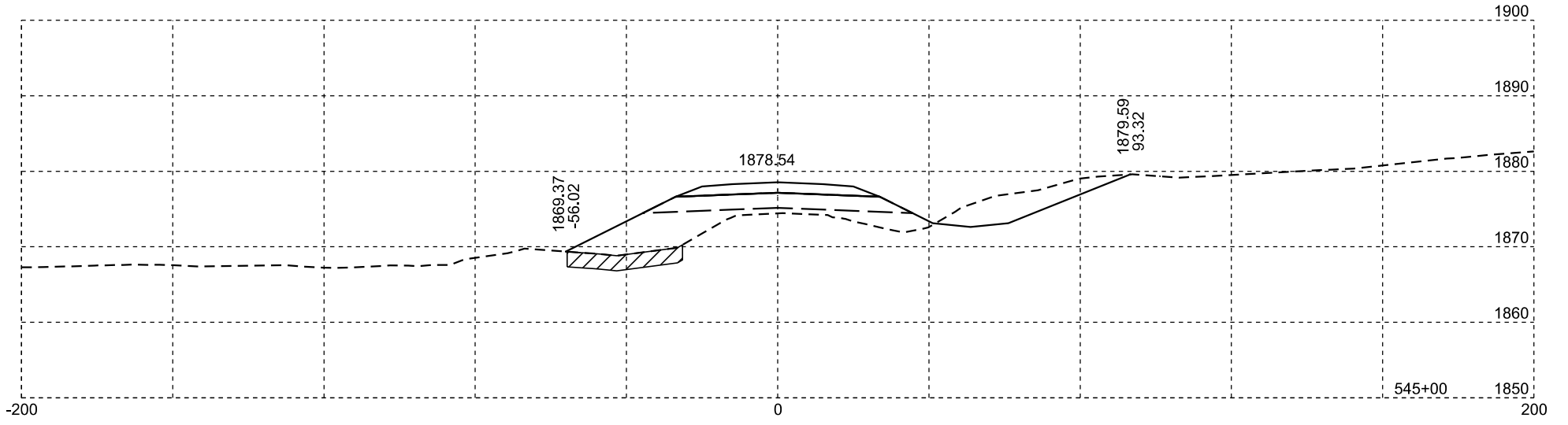
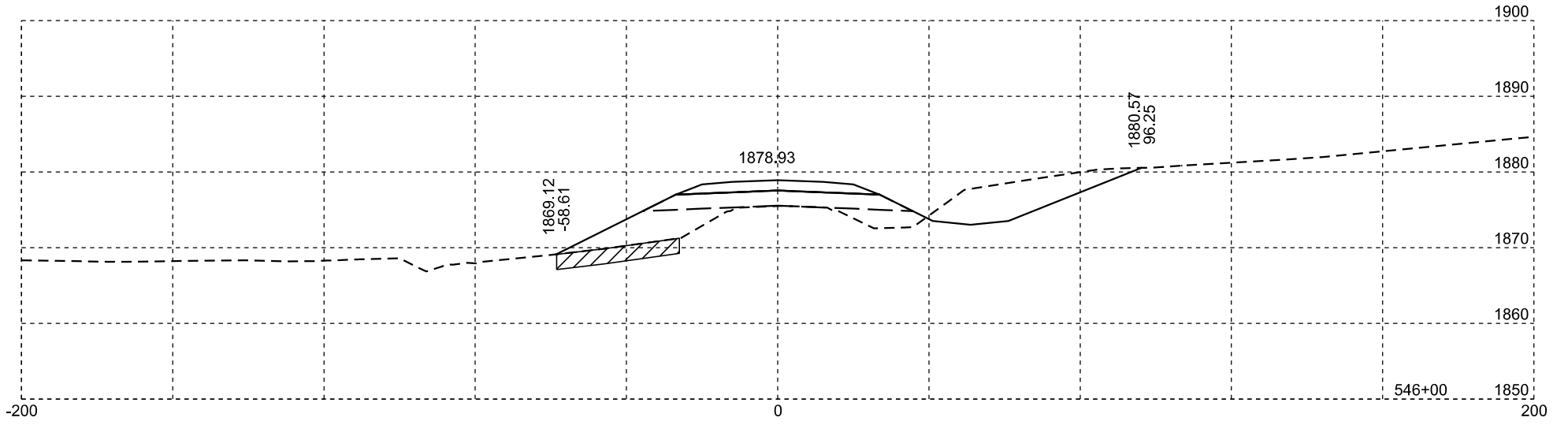
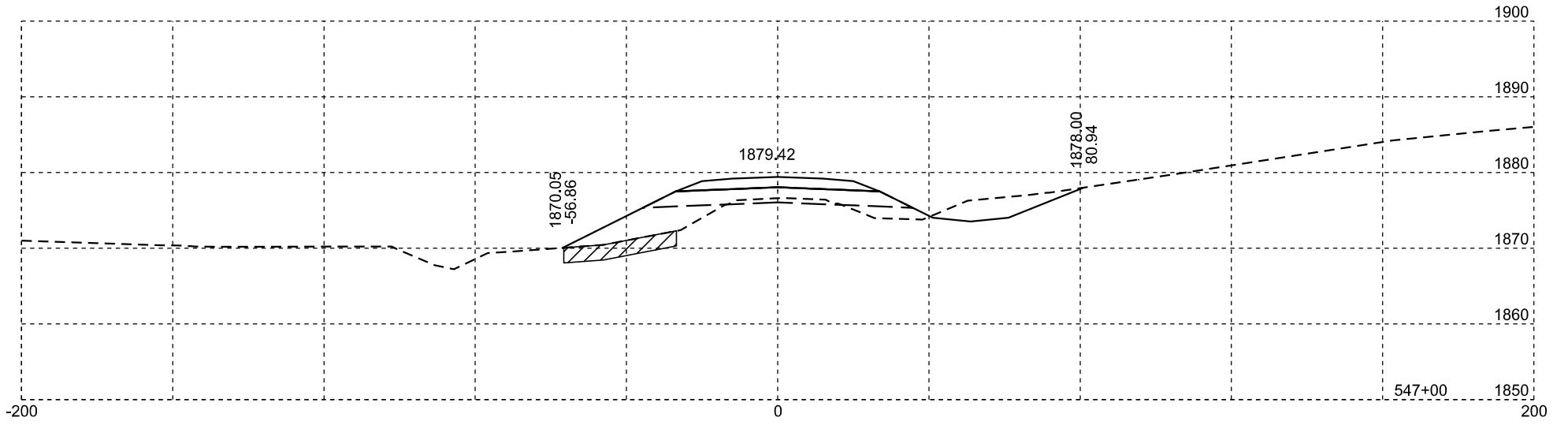
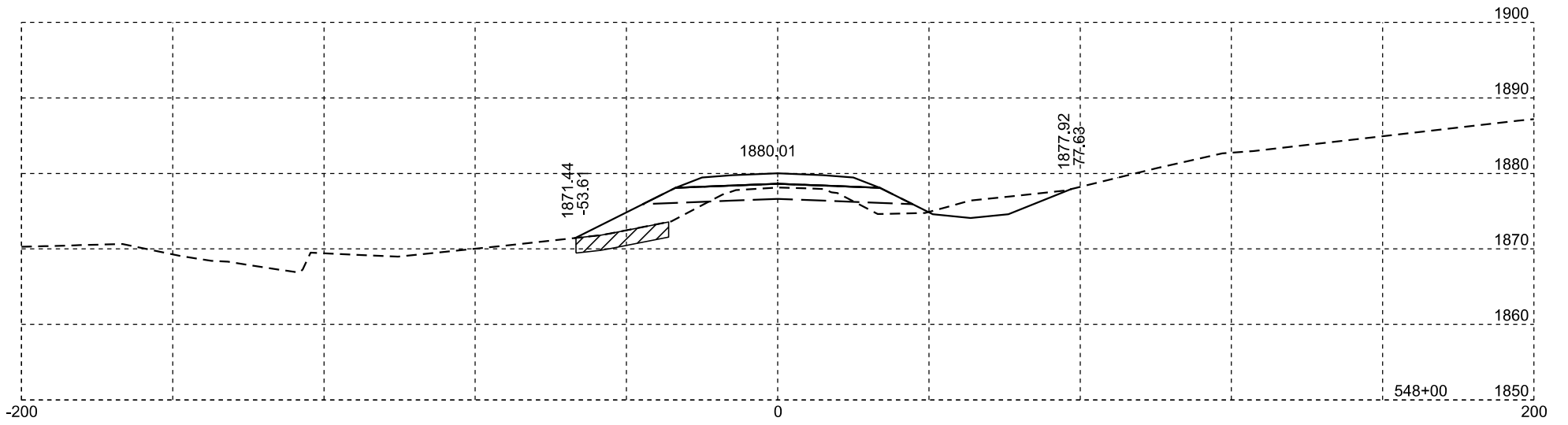
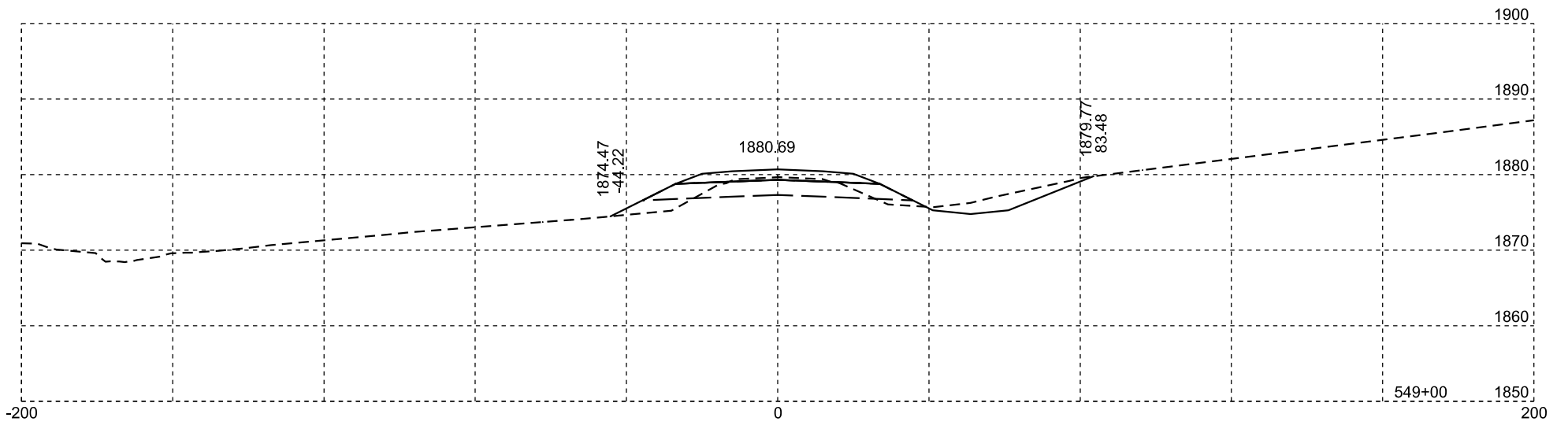
Plotting Date: 10/23/2024

STATE OF SOUTH DAKOTA	PROJECT	SHEET NO.	TOTAL SHEETS
	PH 0028(36)355	X107	X134



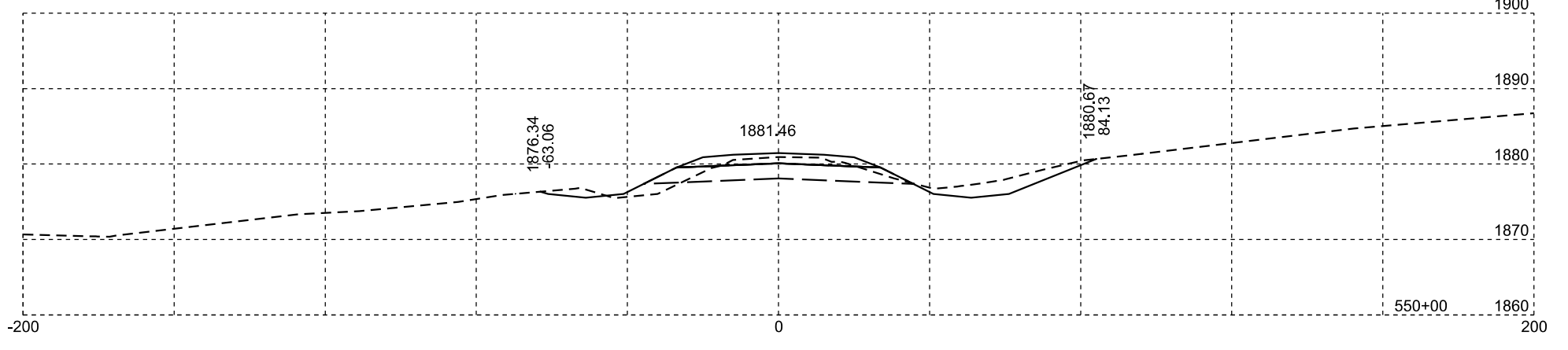
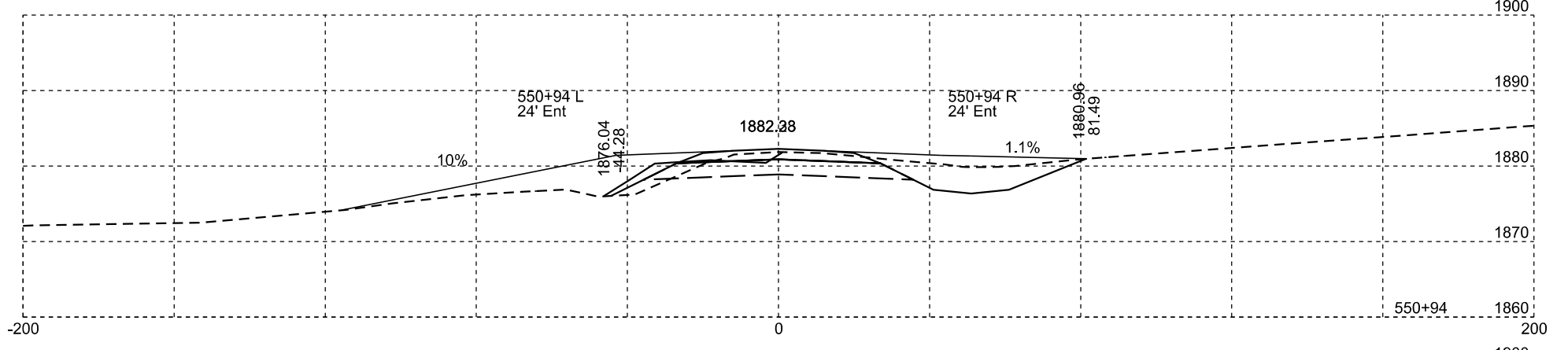
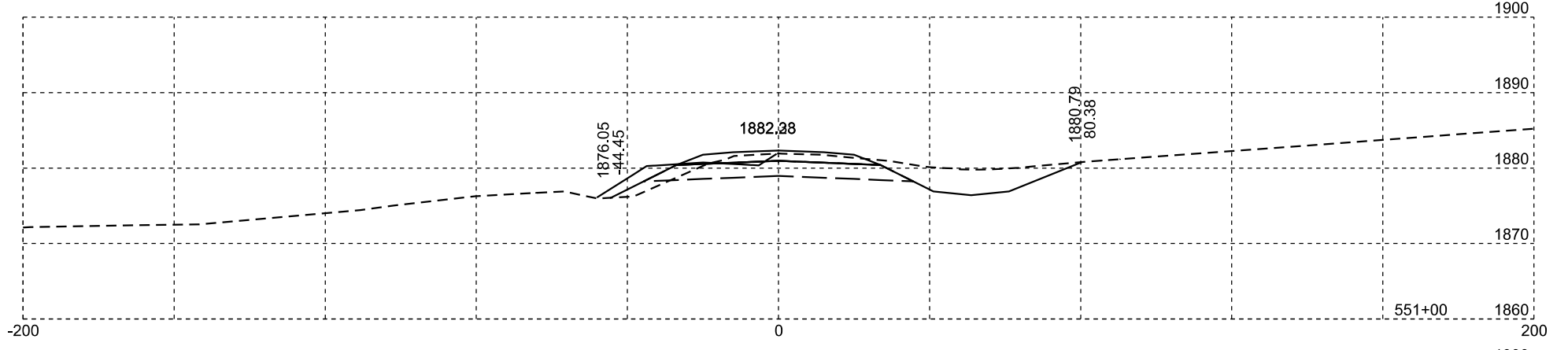
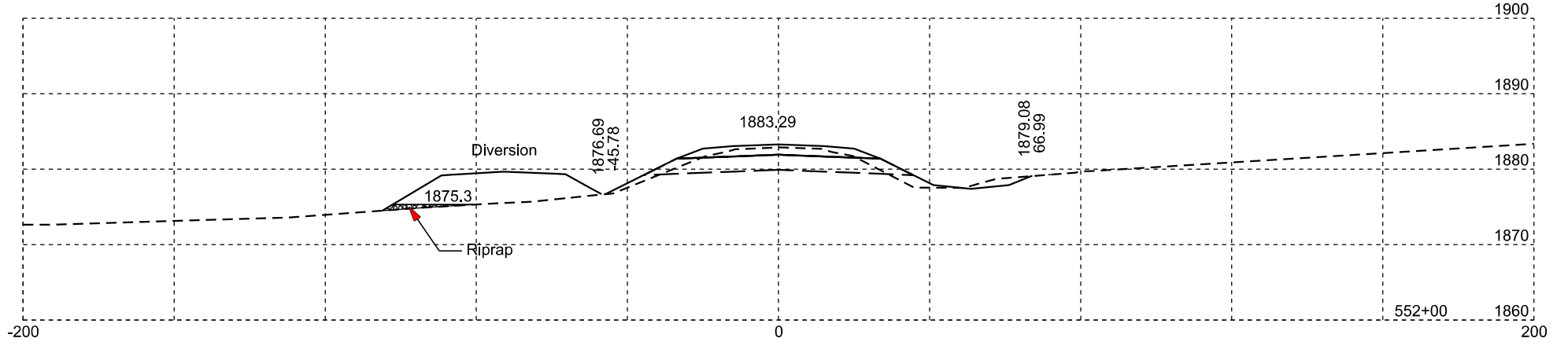
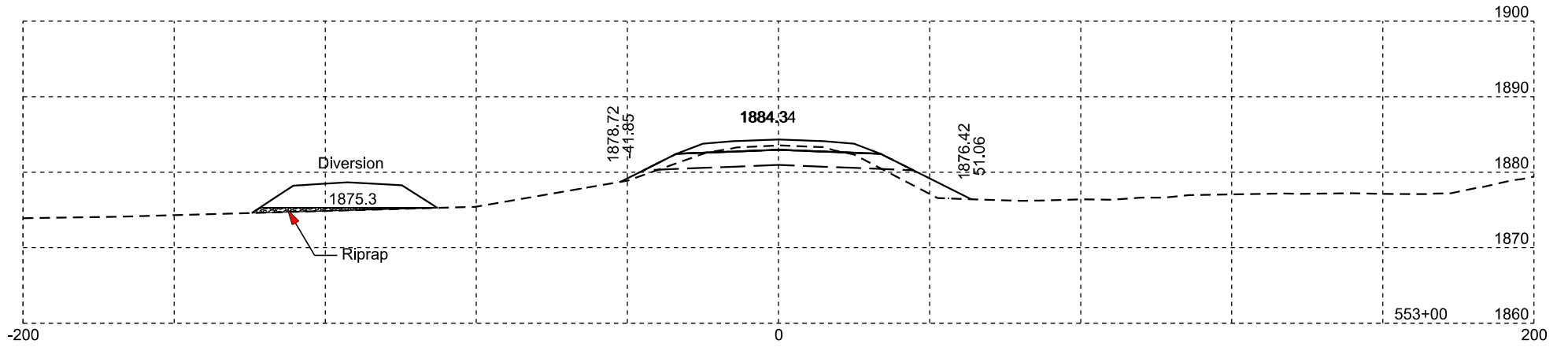
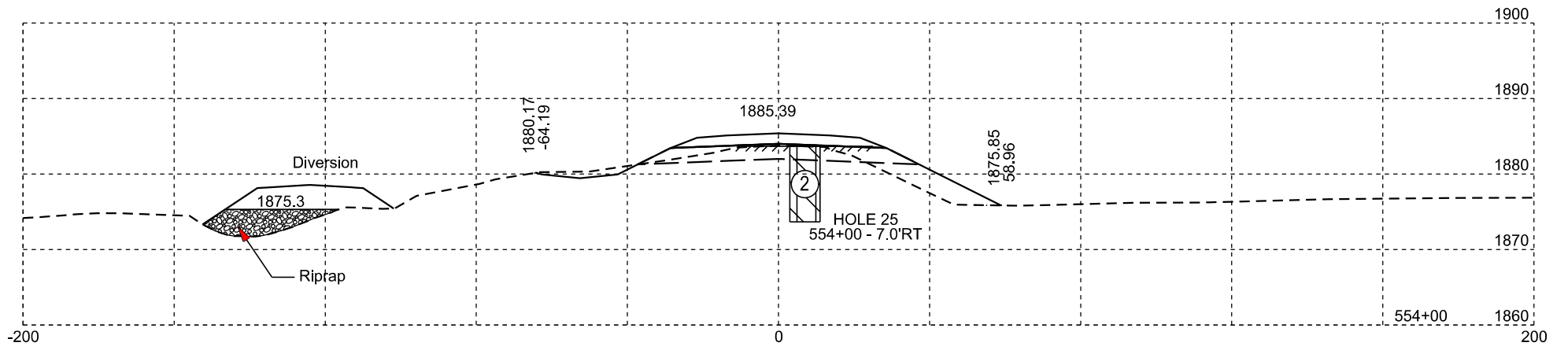
Plotting Date: 10/23/2024

STATE OF SOUTH DAKOTA	PROJECT	SHEET NO.	TOTAL SHEETS
	PH 0028(36)355	X108	X134



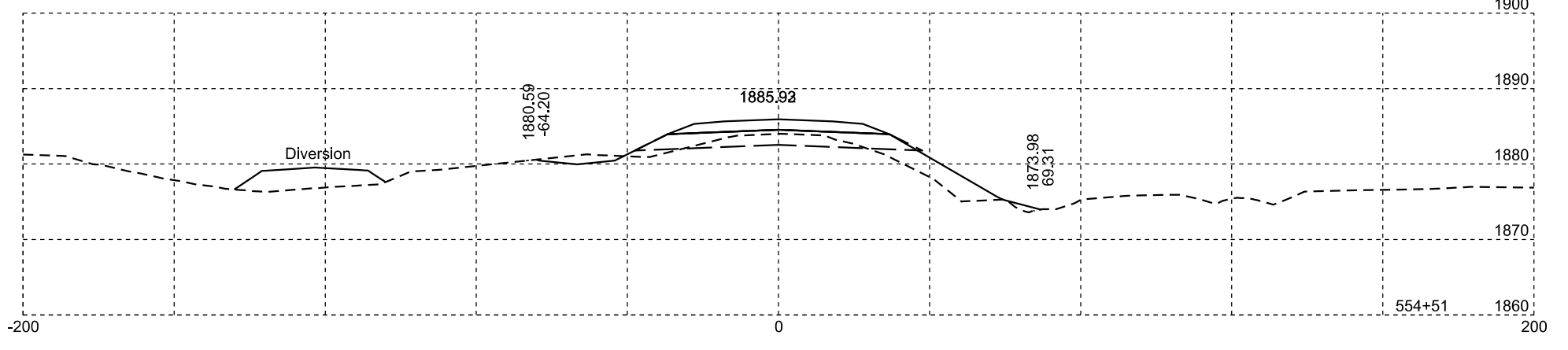
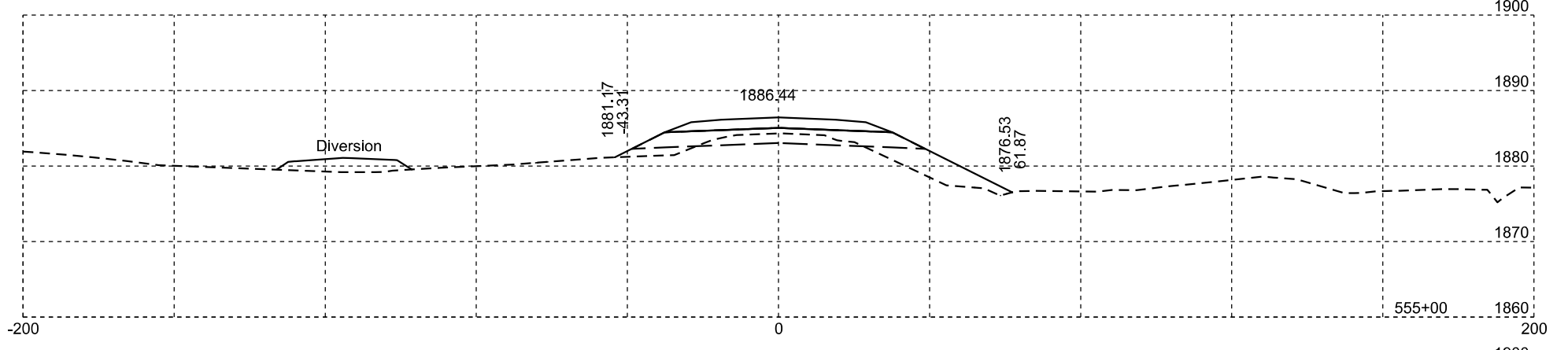
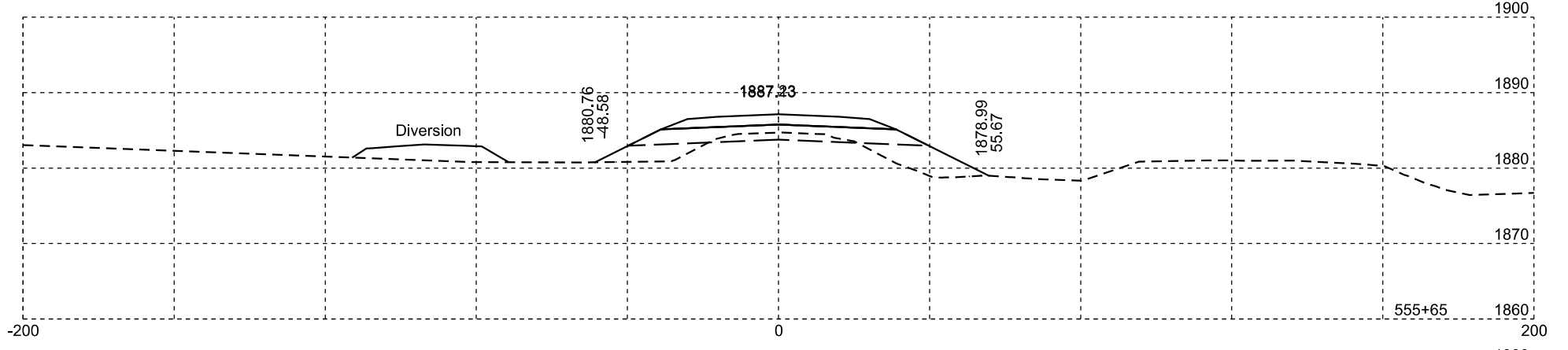
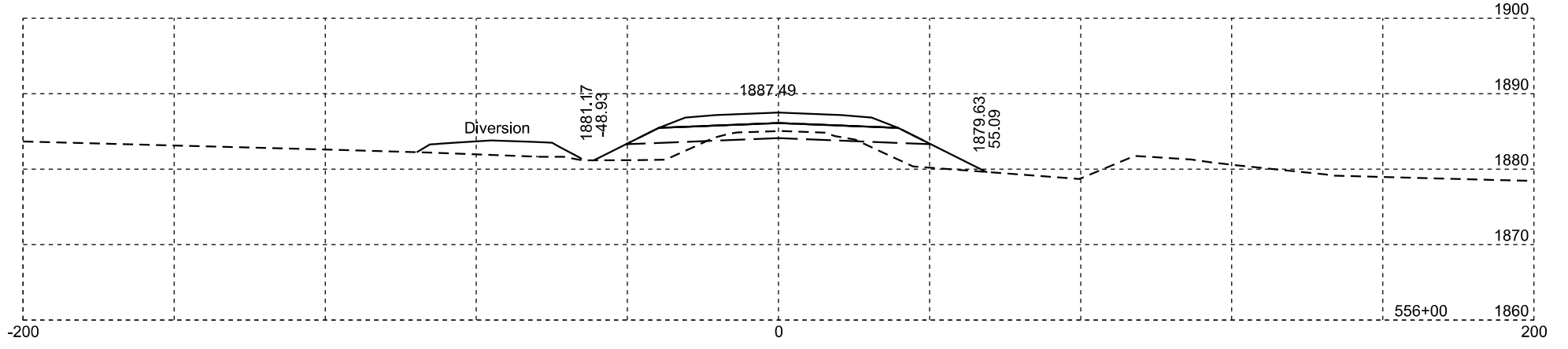
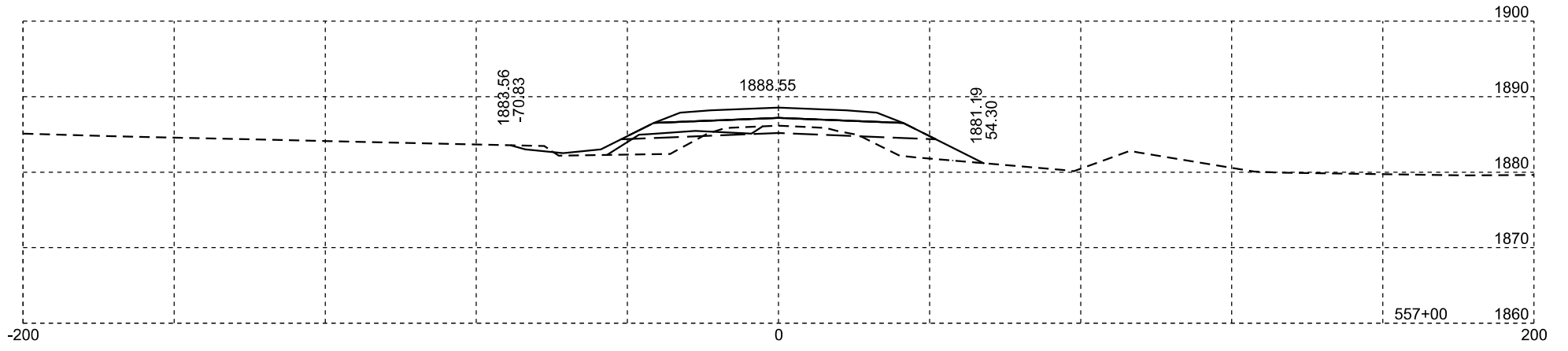
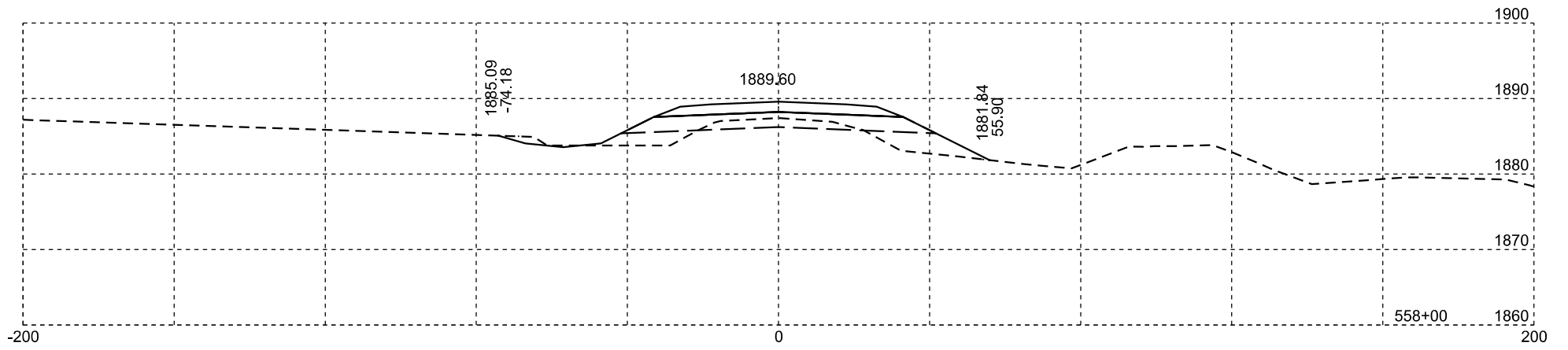
Plotting Date: 10/23/2024

STATE OF SOUTH DAKOTA	PROJECT	SHEET NO.	TOTAL SHEETS
	PH 0028(36)355	X109	X134



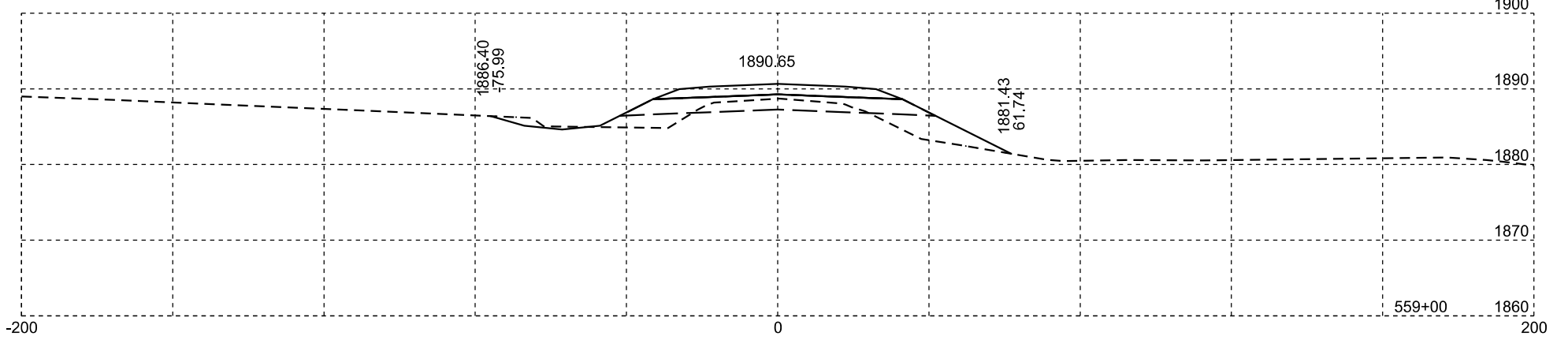
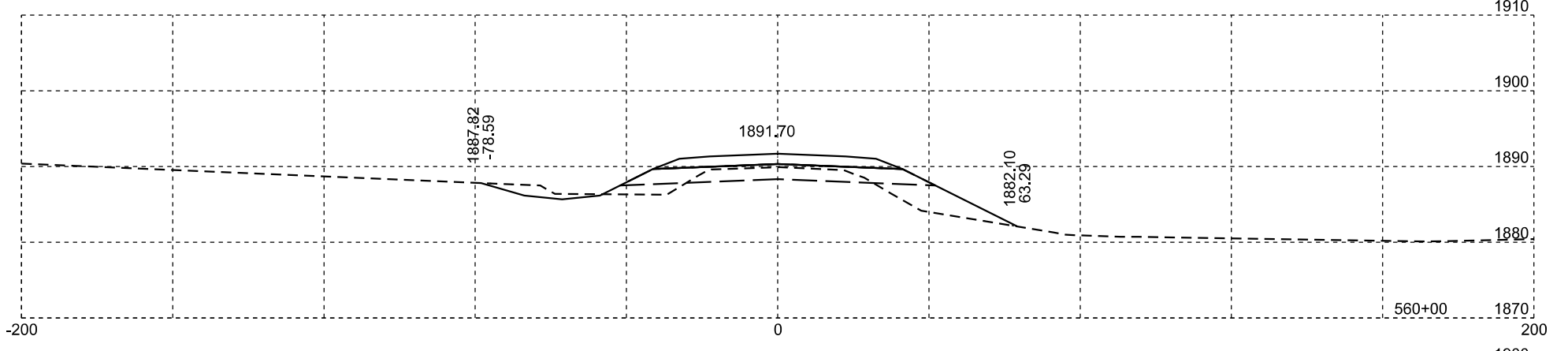
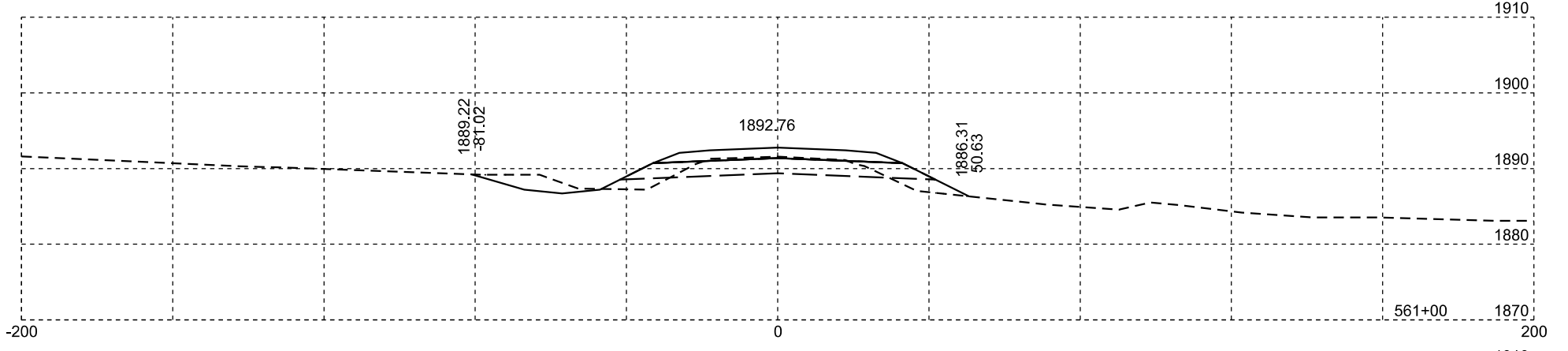
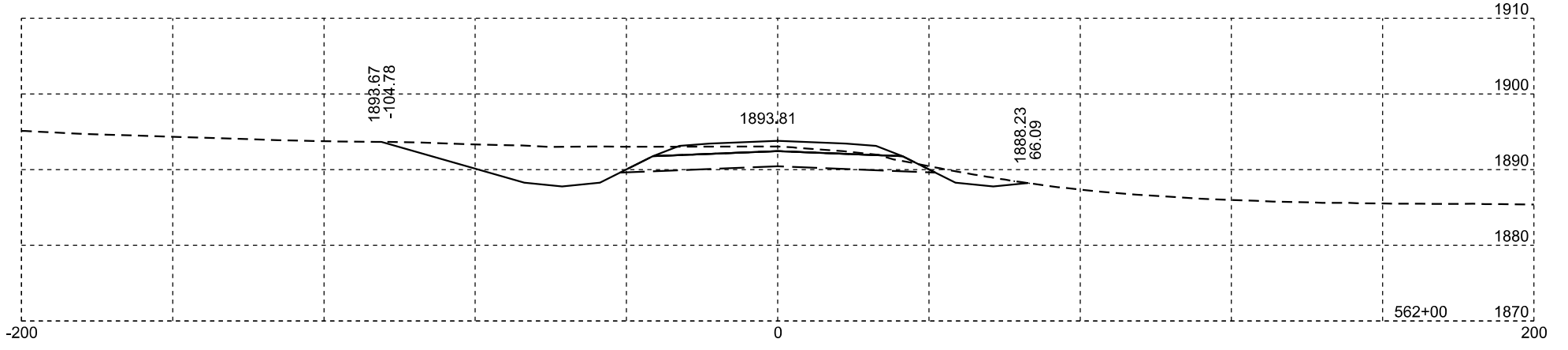
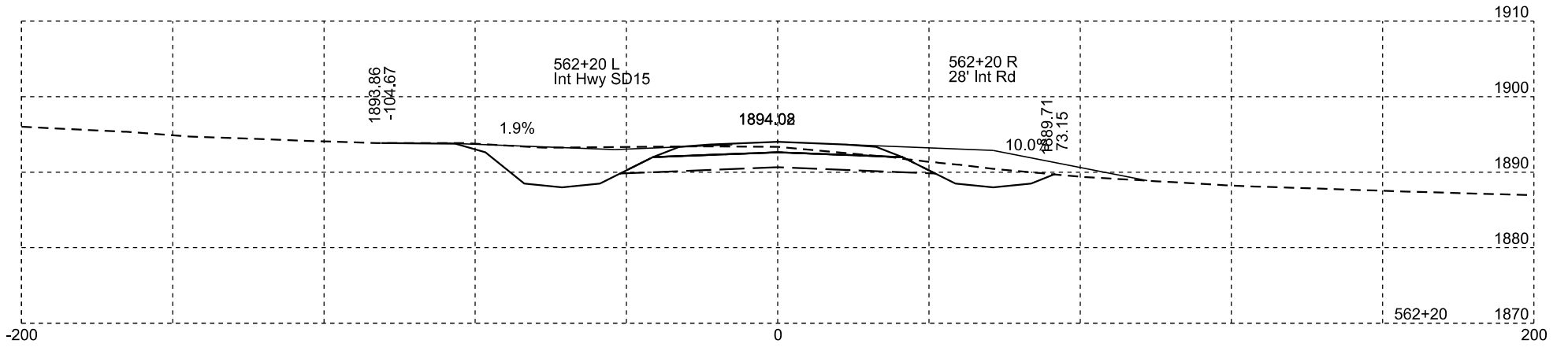
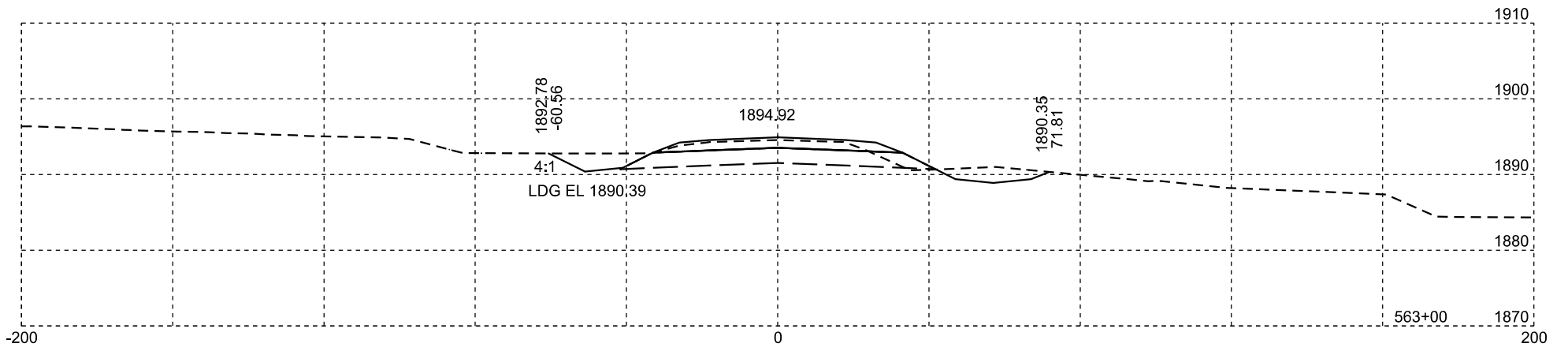
Plotting Date: 10/23/2024

STATE OF SOUTH DAKOTA	PROJECT	SHEET NO.	TOTAL SHEETS
	PH 0028(36)355	X110	X134



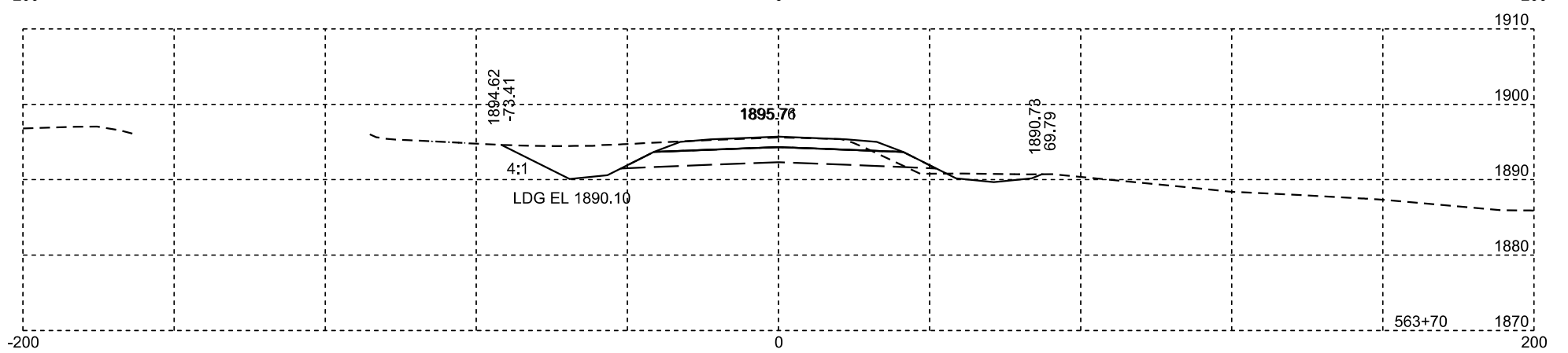
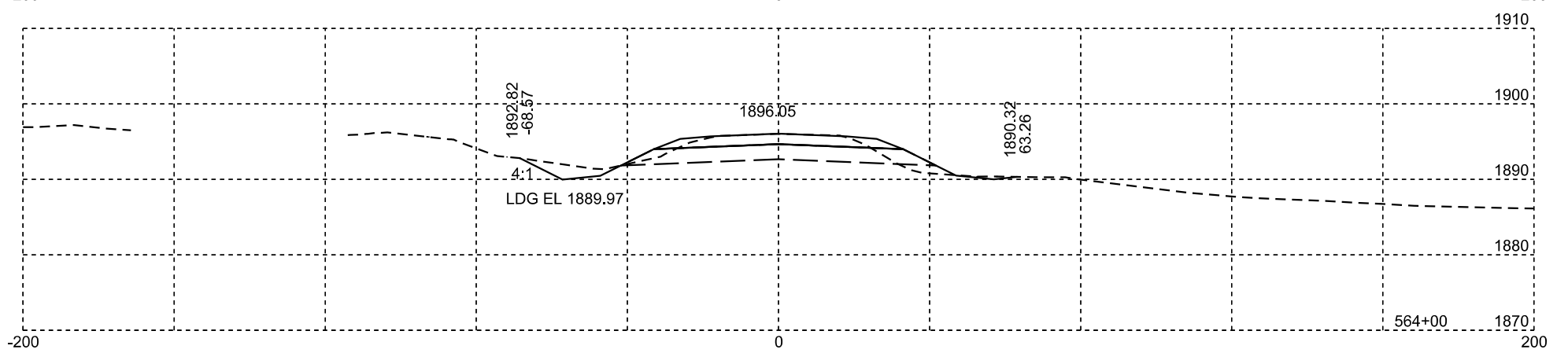
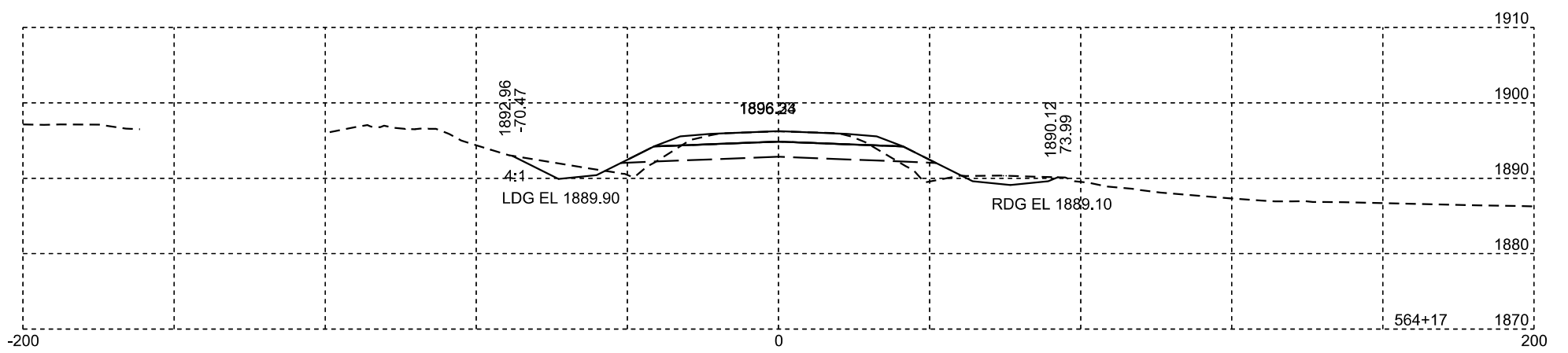
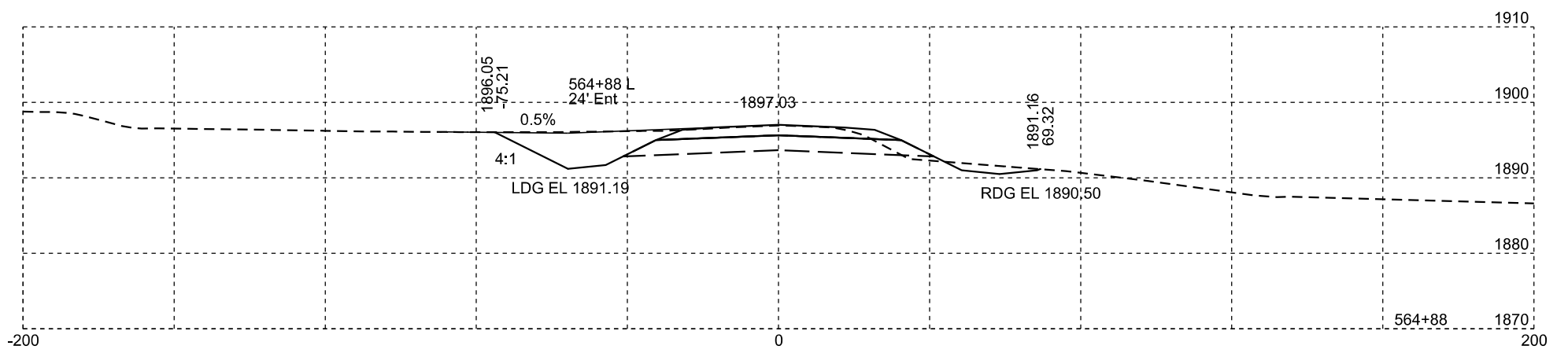
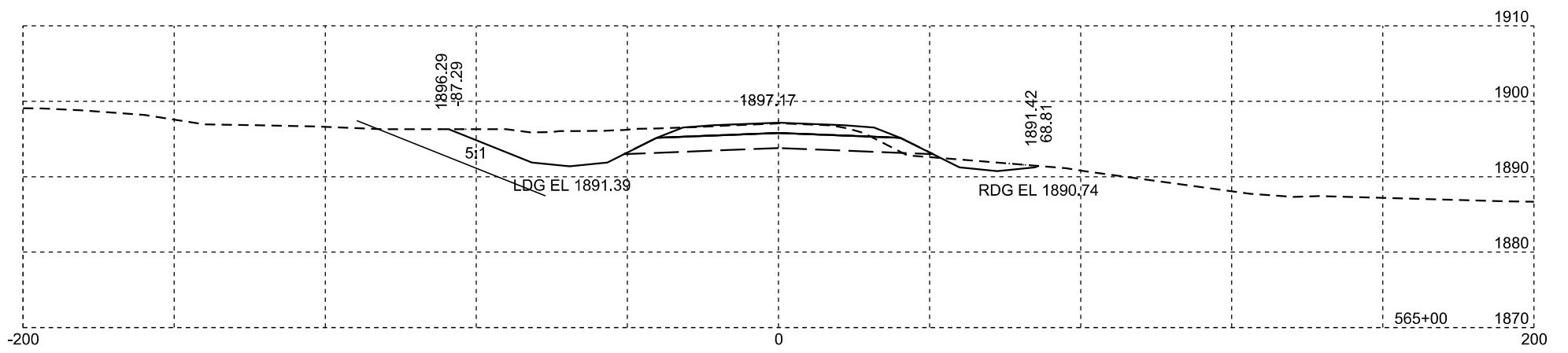
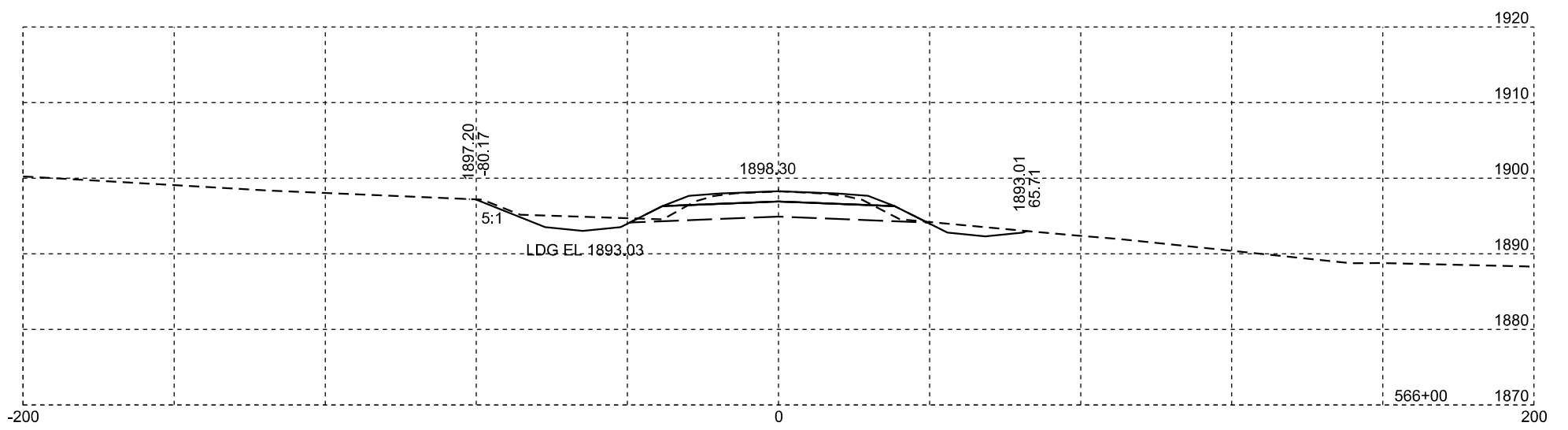
Plotting Date: 10/23/2024

STATE OF SOUTH DAKOTA	PROJECT	SHEET NO.	TOTAL SHEETS
	PH 0028(36)355	X111	X134



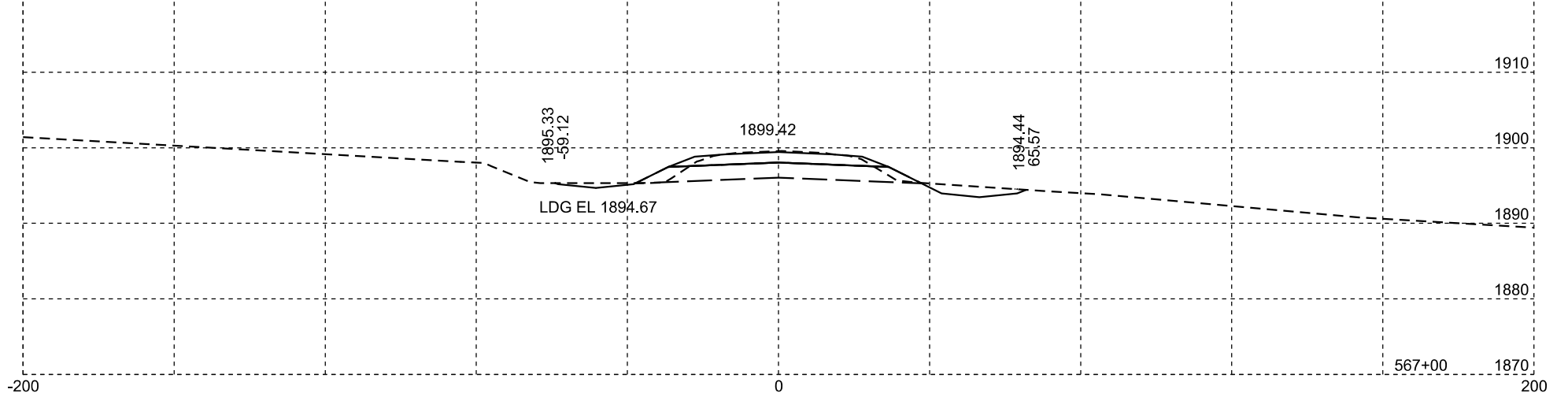
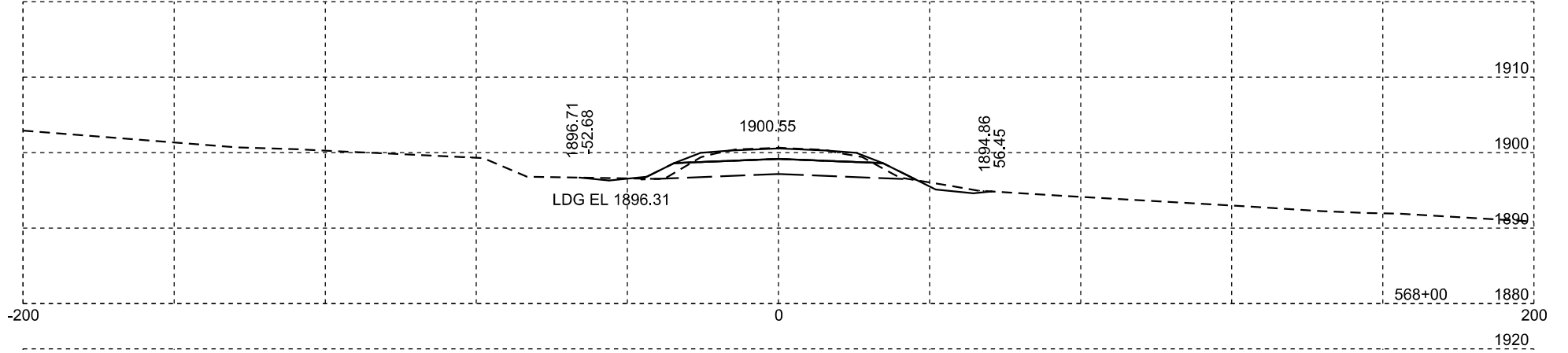
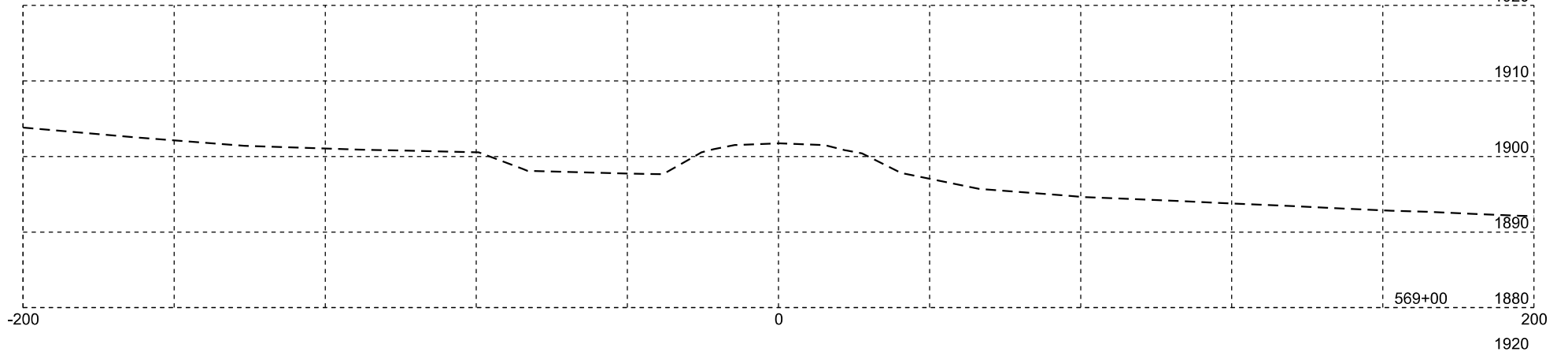
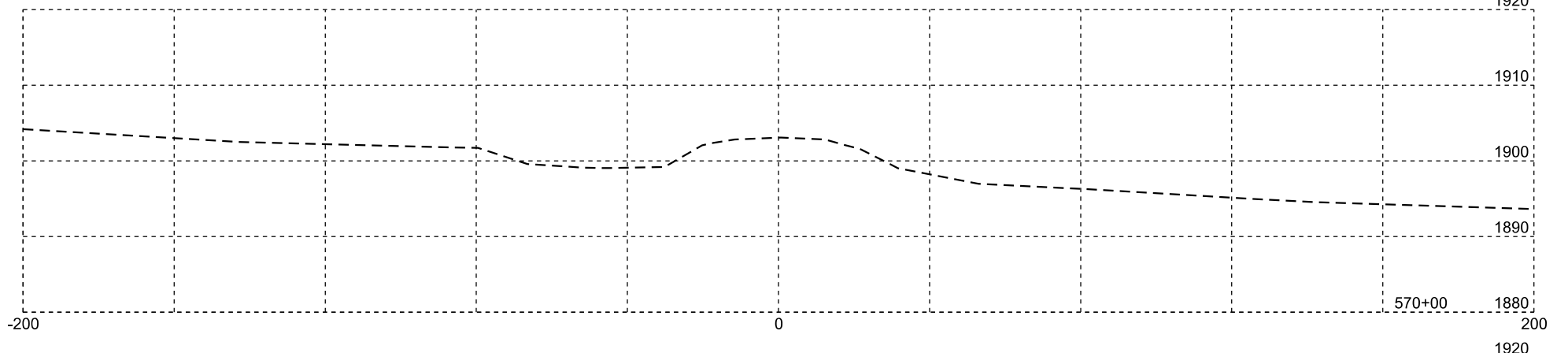
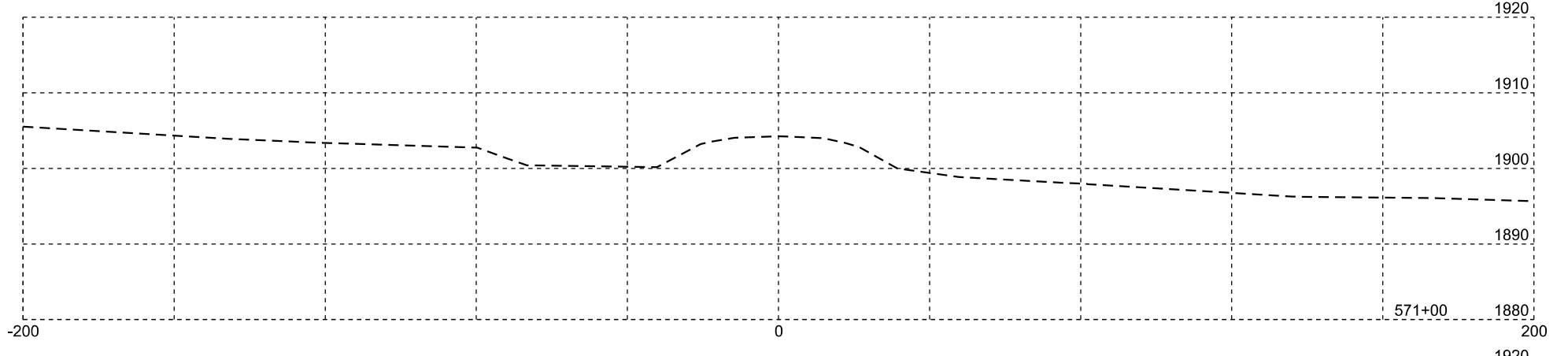
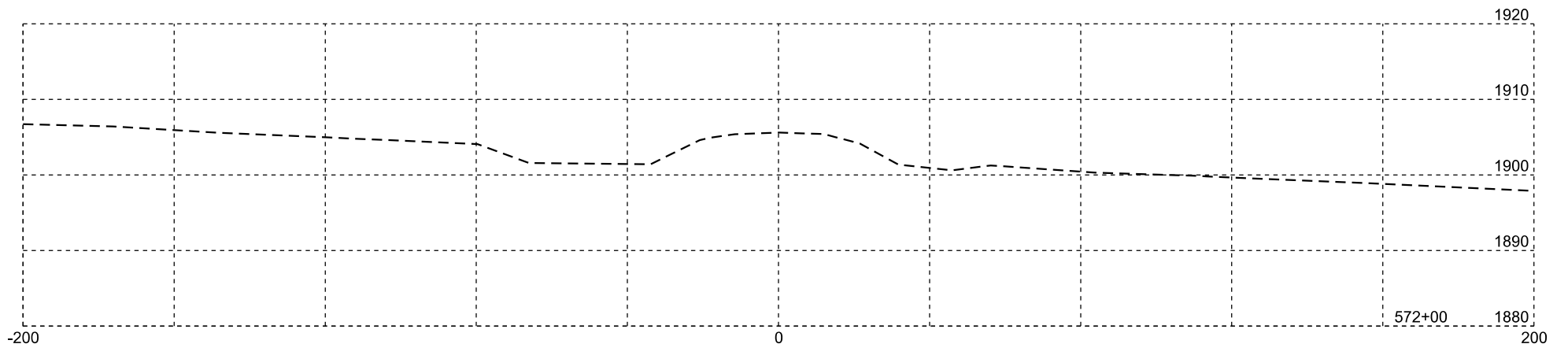
Plotting Date: 10/23/2024

STATE OF SOUTH DAKOTA	PROJECT	SHEET NO.	TOTAL SHEETS
	PH 0028(36)355	X112	X134



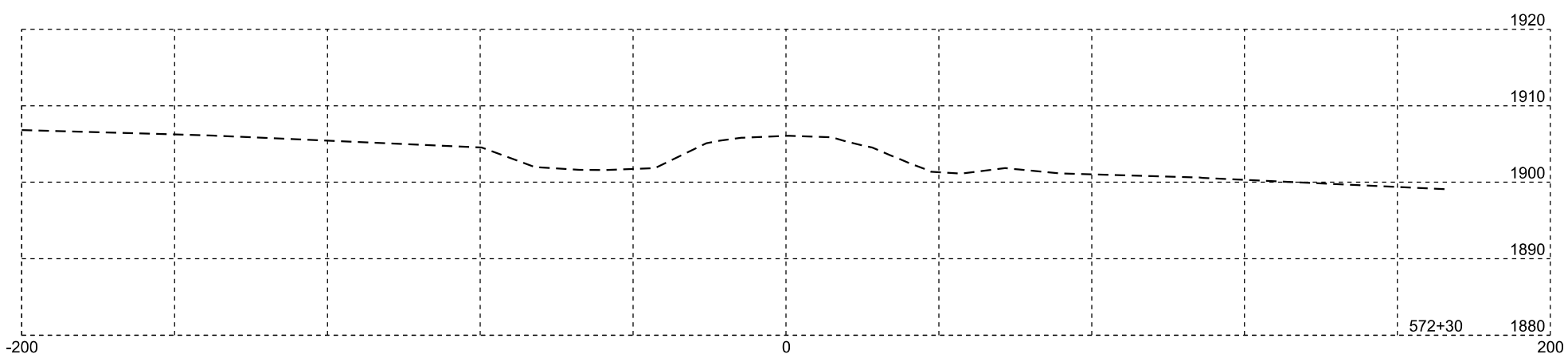
Plotting Date: 10/23/2024

STATE OF SOUTH DAKOTA	PROJECT	SHEET NO.	TOTAL SHEETS
	PH 0028(36)355	X113	X134



Plotting Date: 10/23/2024

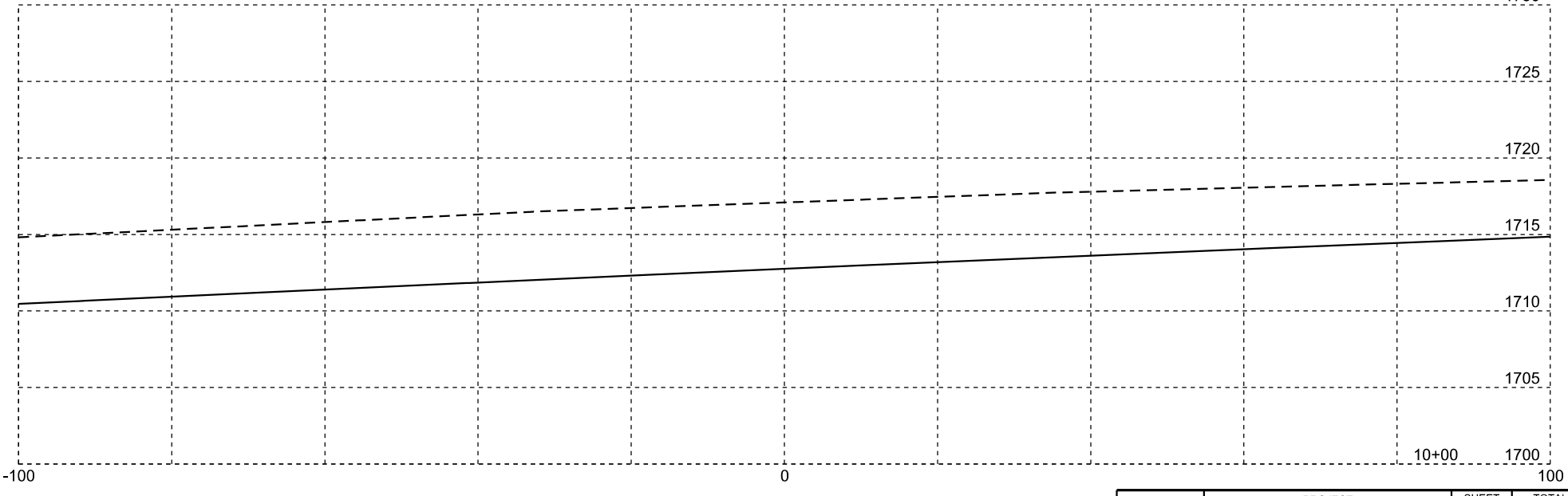
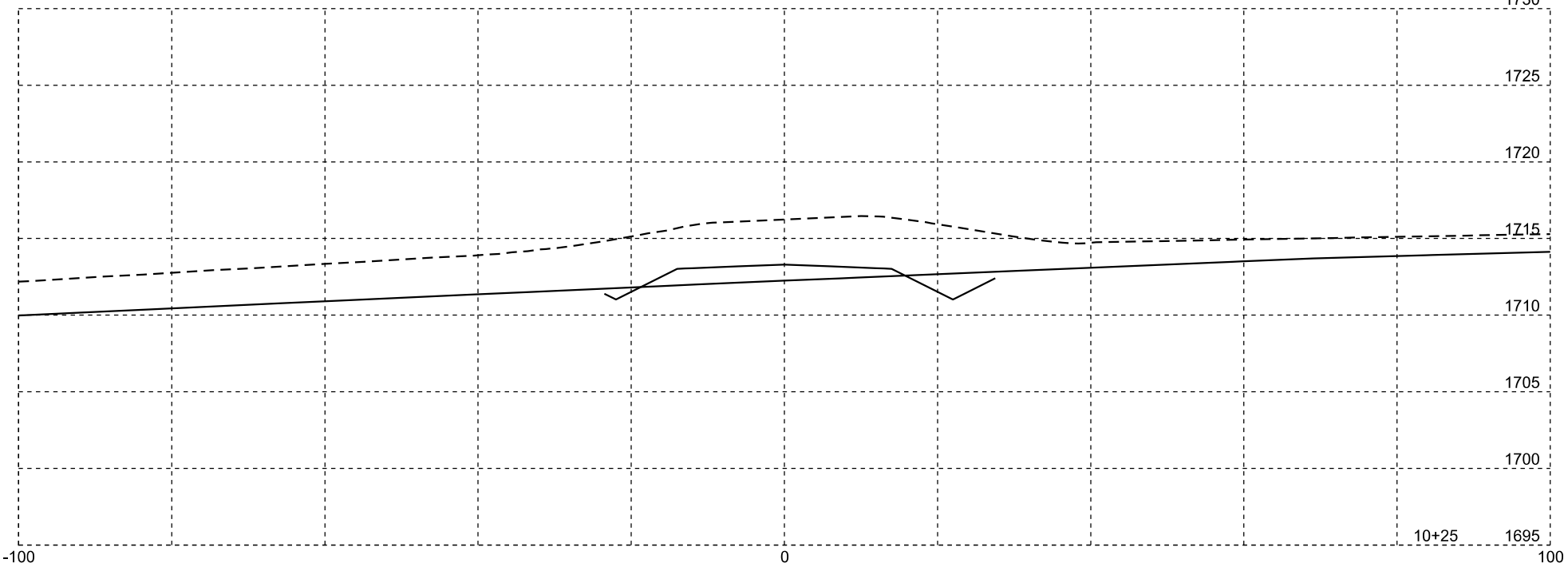
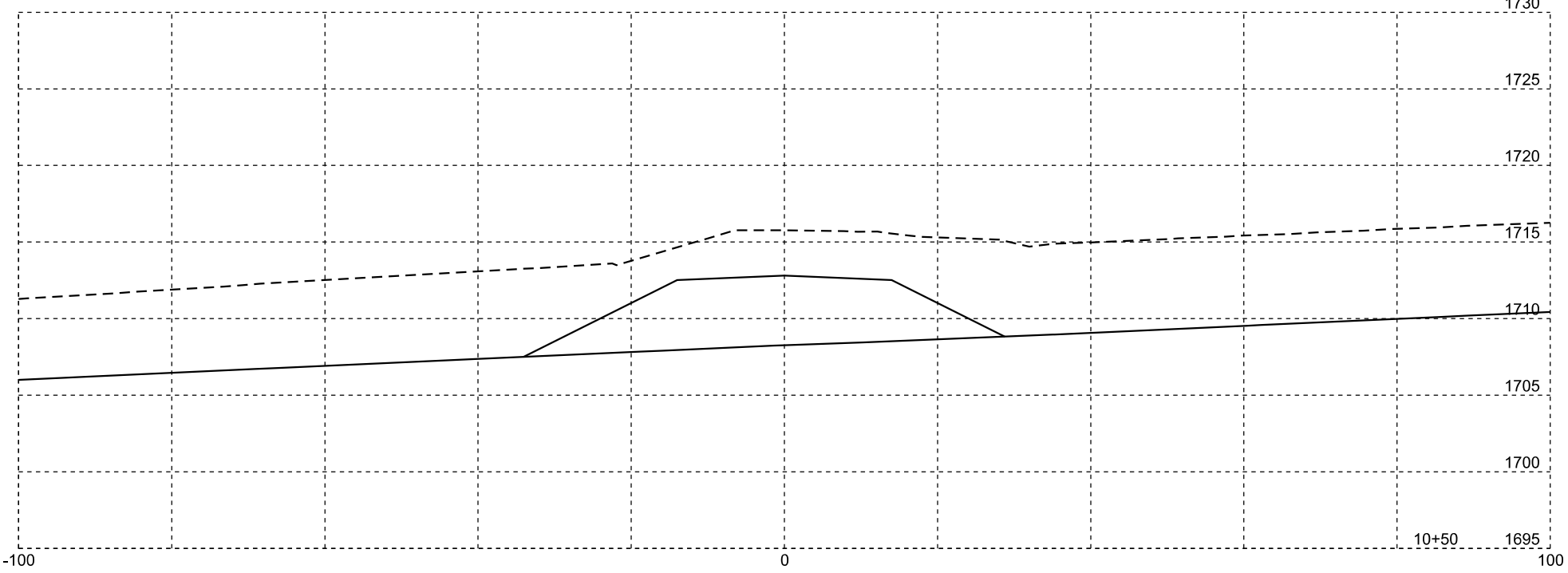
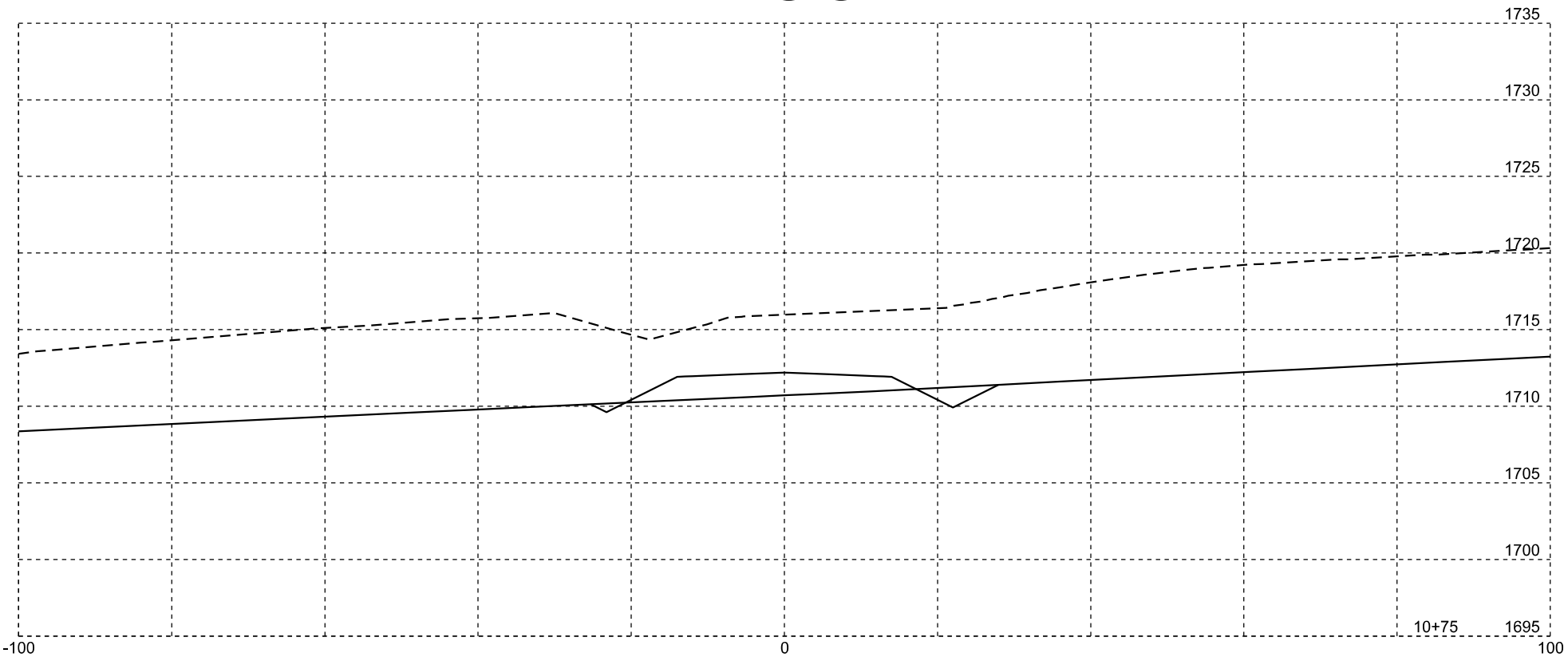
STATE OF SOUTH DAKOTA	PROJECT	SHEET NO.	TOTAL SHEETS
	PH 0028(36)355	X114	X134



Plotting Date: 10/23/2024

STATE OF SOUTH DAKOTA	PROJECT	SHEET NO.	TOTAL SHEETS
	PH 0028(36)355	X115	X134

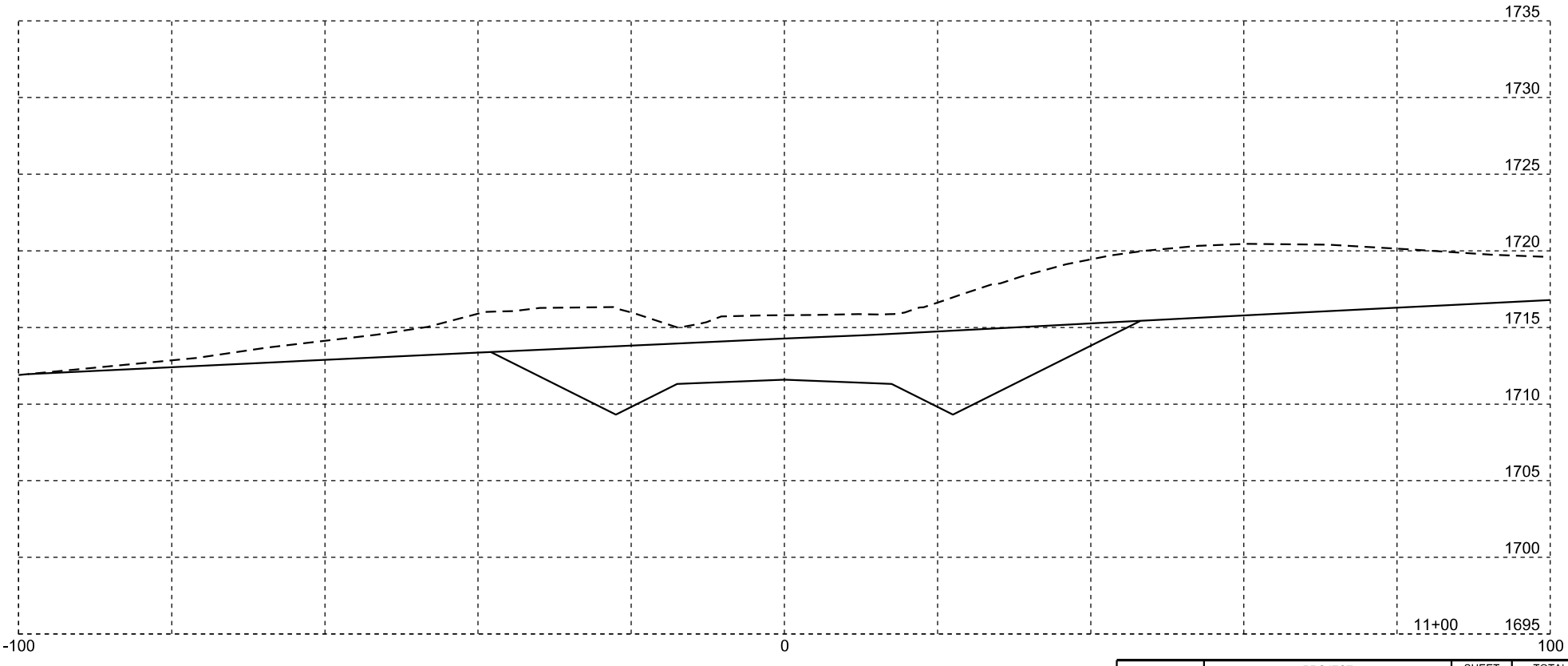
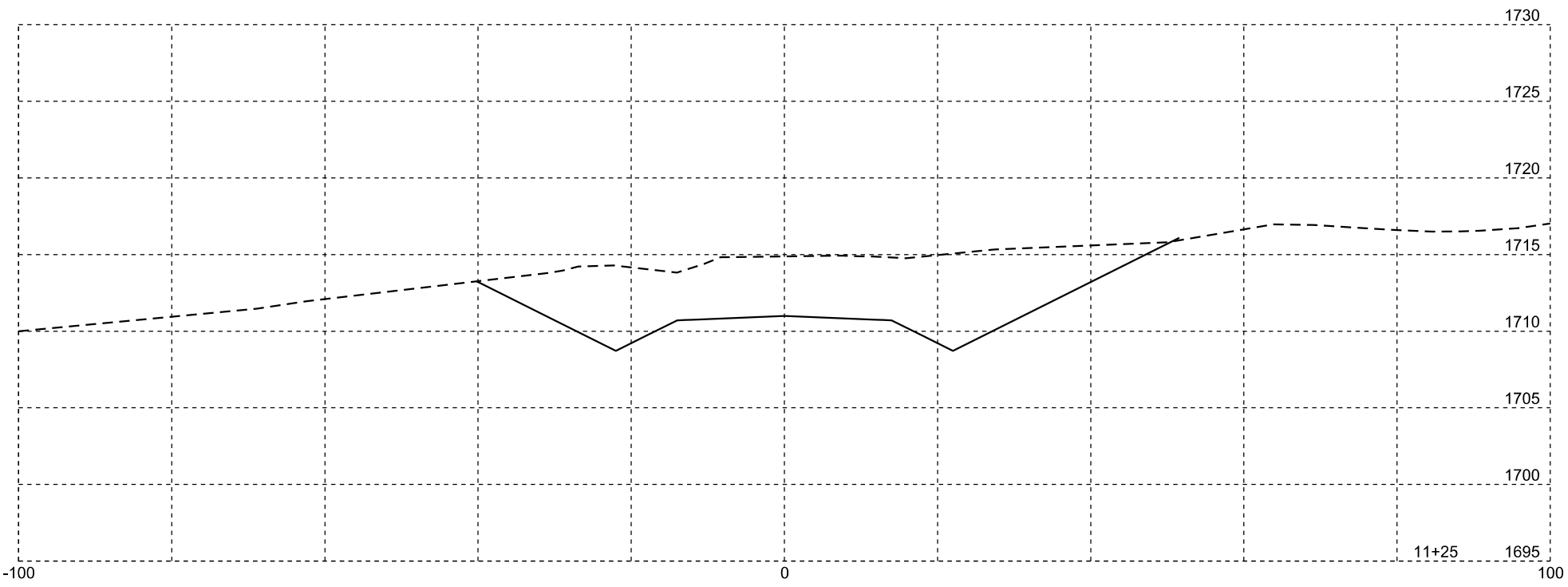
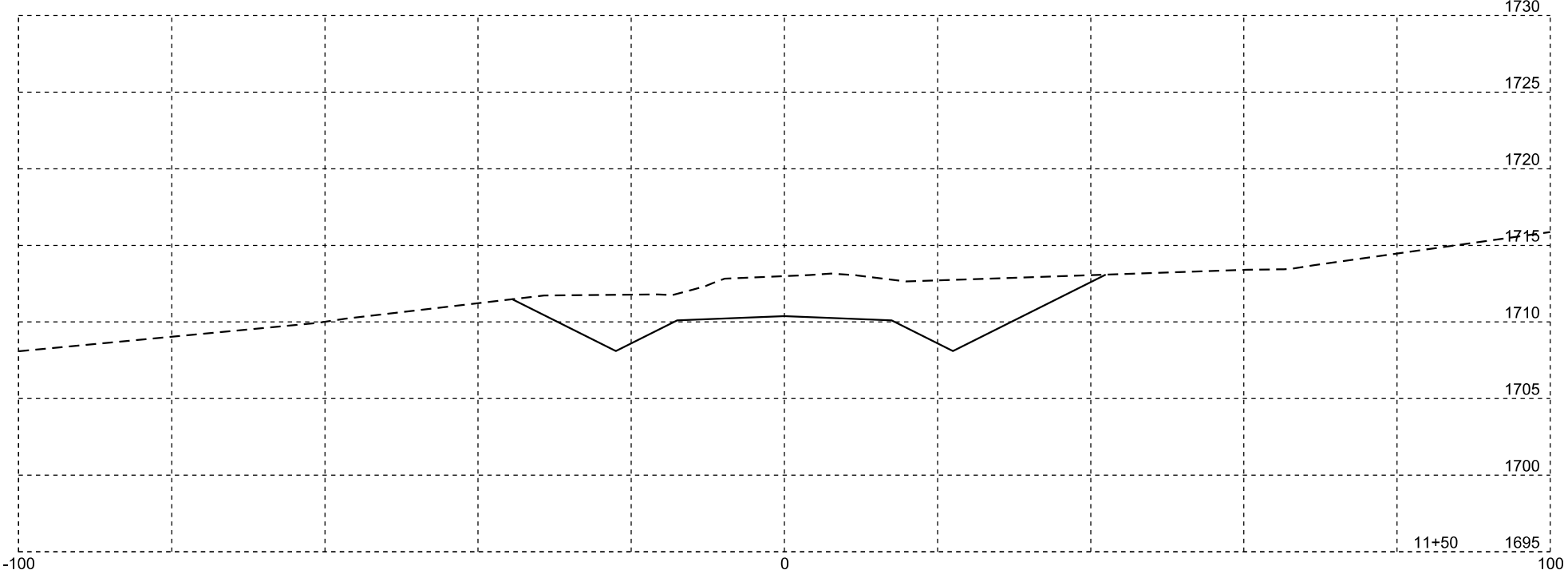
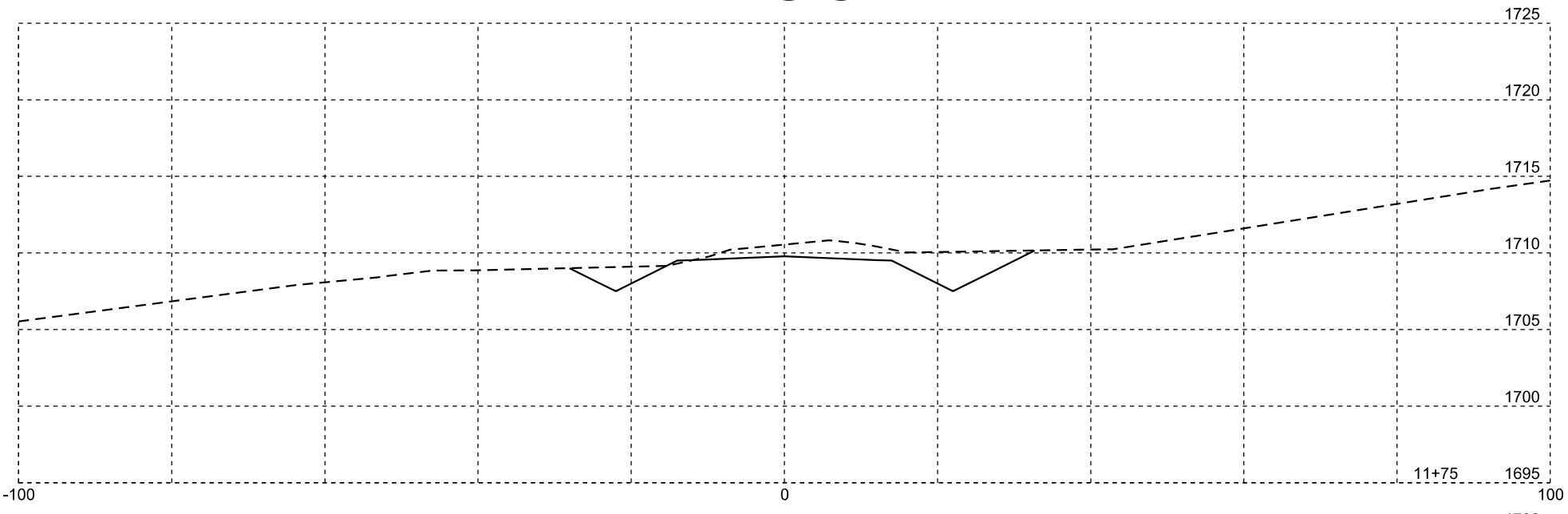
XR13941L



Plotting Date: 10/23/2024

STATE OF SOUTH DAKOTA	PROJECT	SHEET NO.	TOTAL SHEETS
	PH 0028(36)355	X116	X134

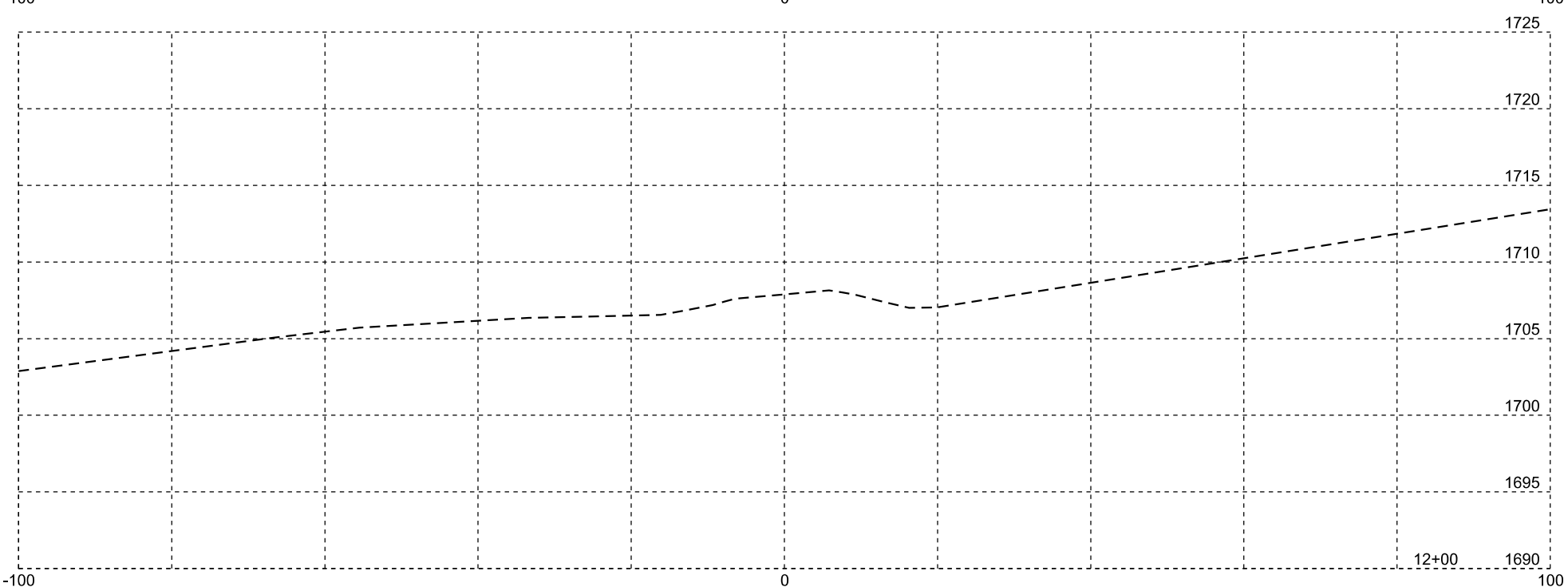
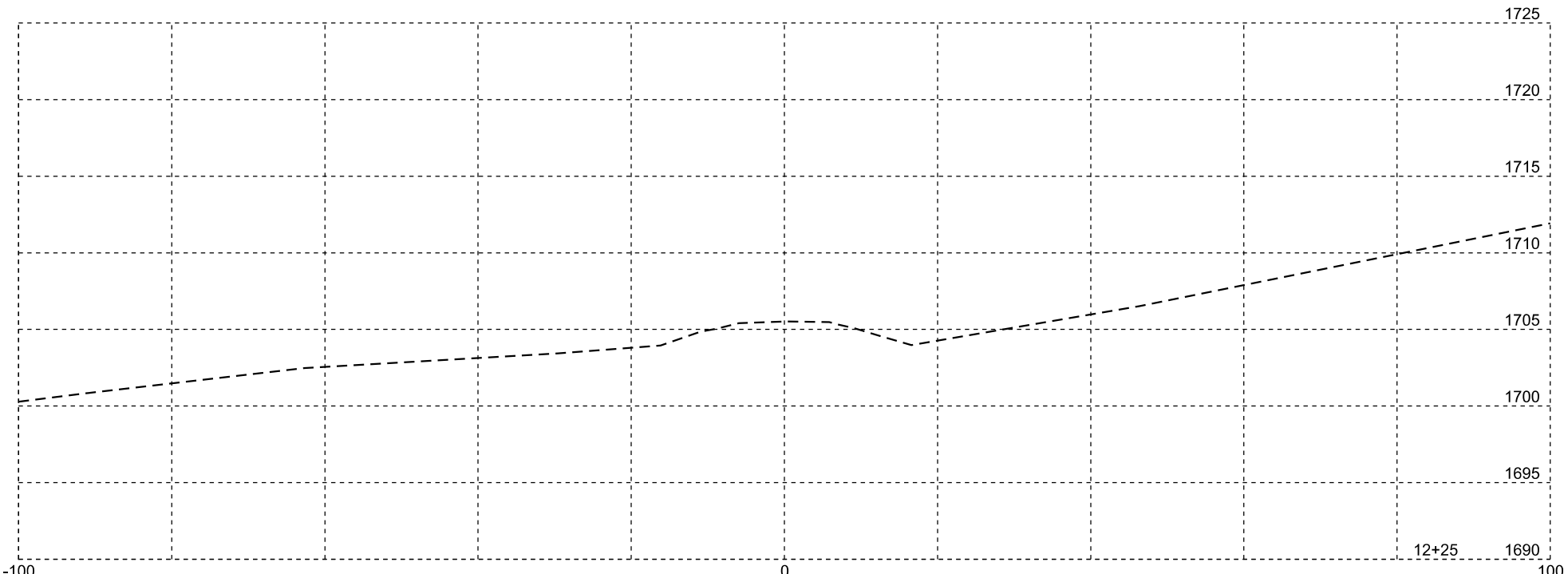
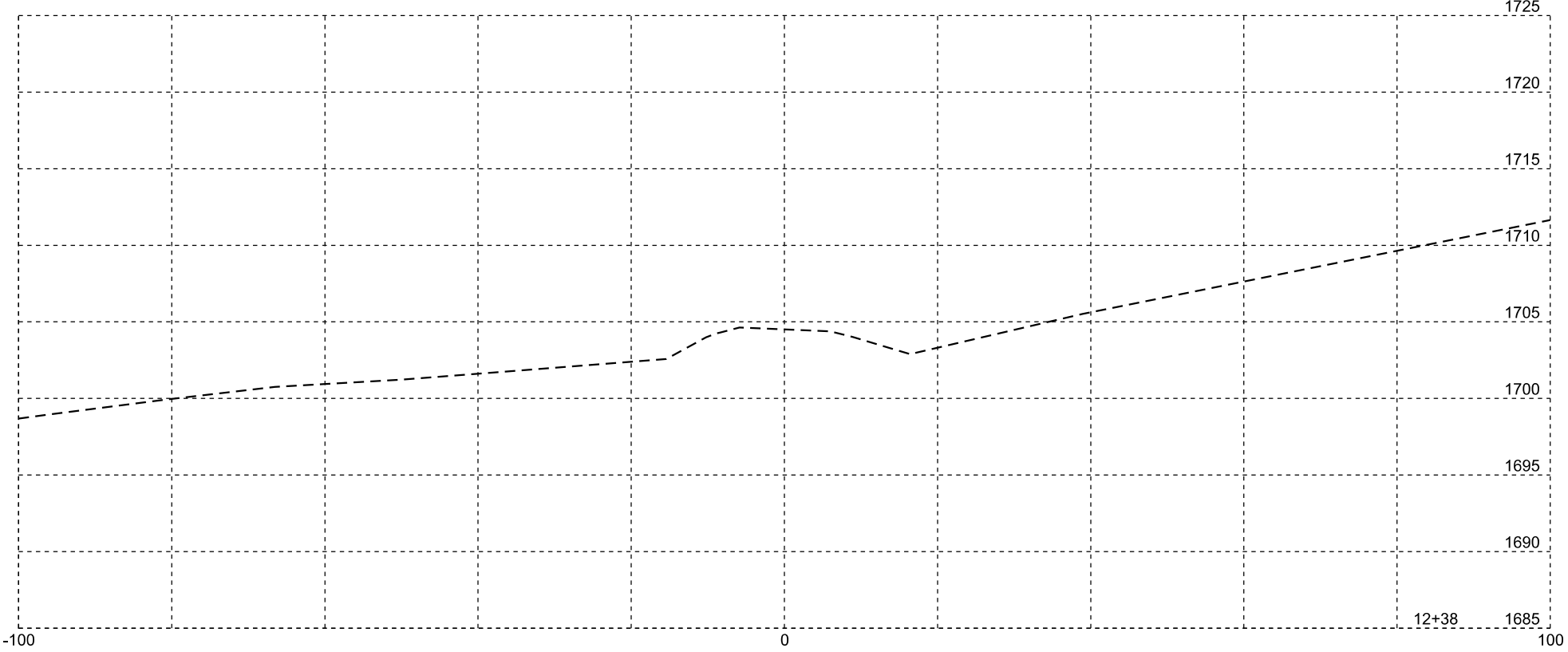
XR13941L



Plotting Date: 10/23/2024

STATE OF SOUTH DAKOTA	PROJECT	SHEET NO.	TOTAL SHEETS
	PH 0028(36)355	X117	X134

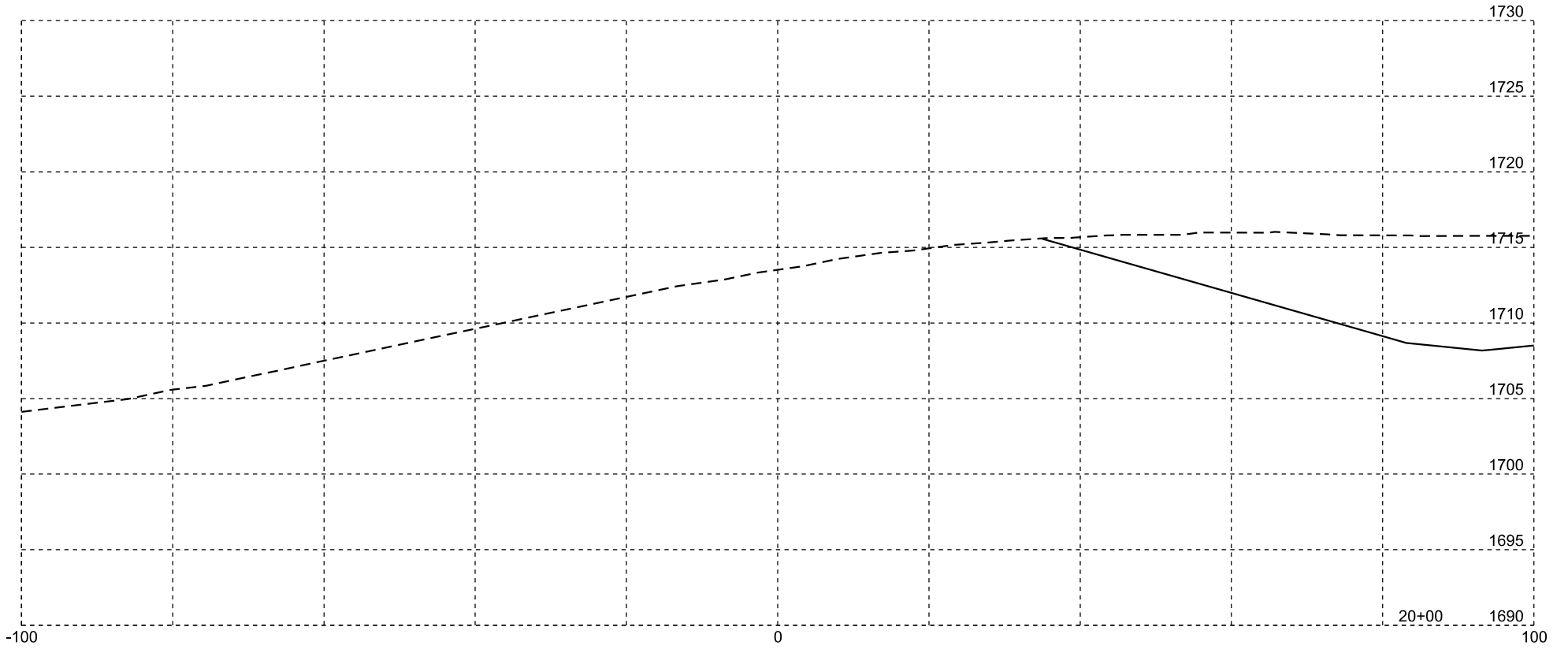
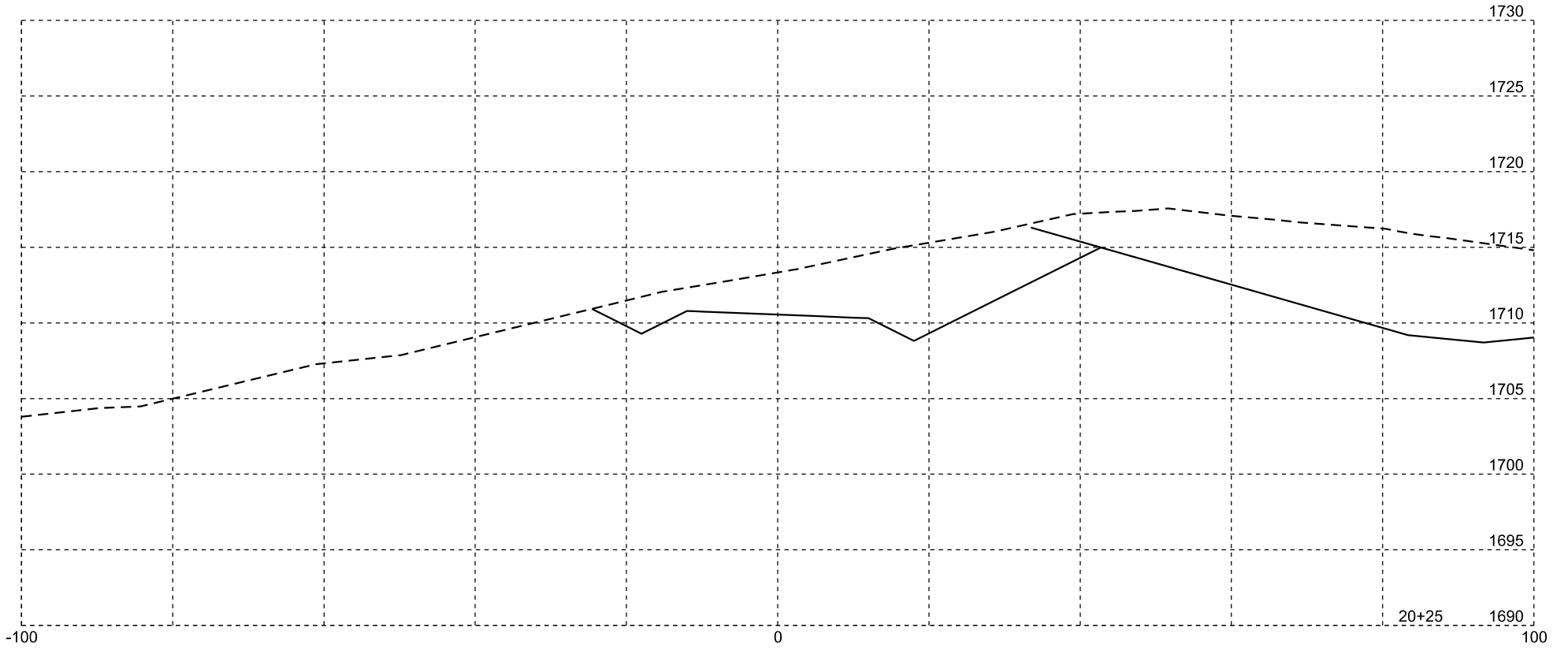
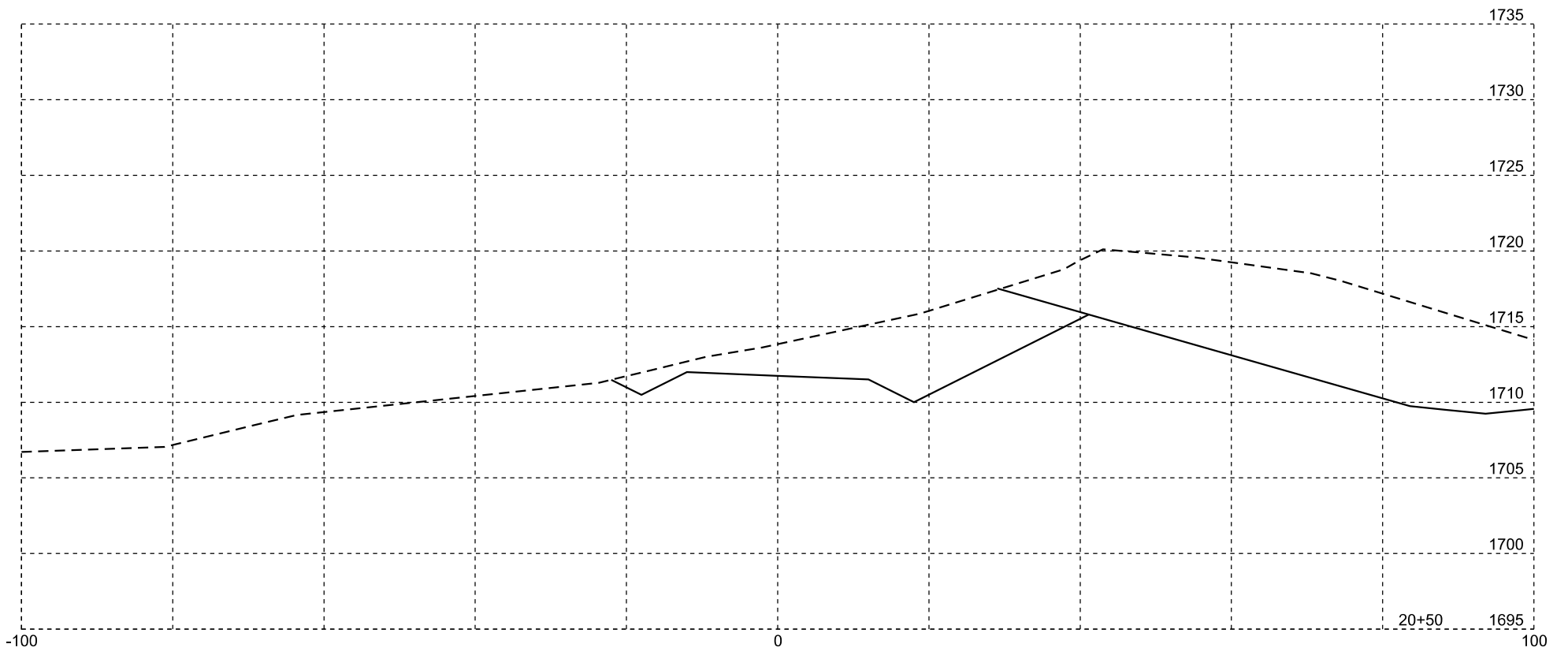
XR13941L



Plotting Date: 10/23/2024

STATE OF SOUTH DAKOTA	PROJECT	SHEET NO.	TOTAL SHEETS
	PH 0028(36)355	X118	X134

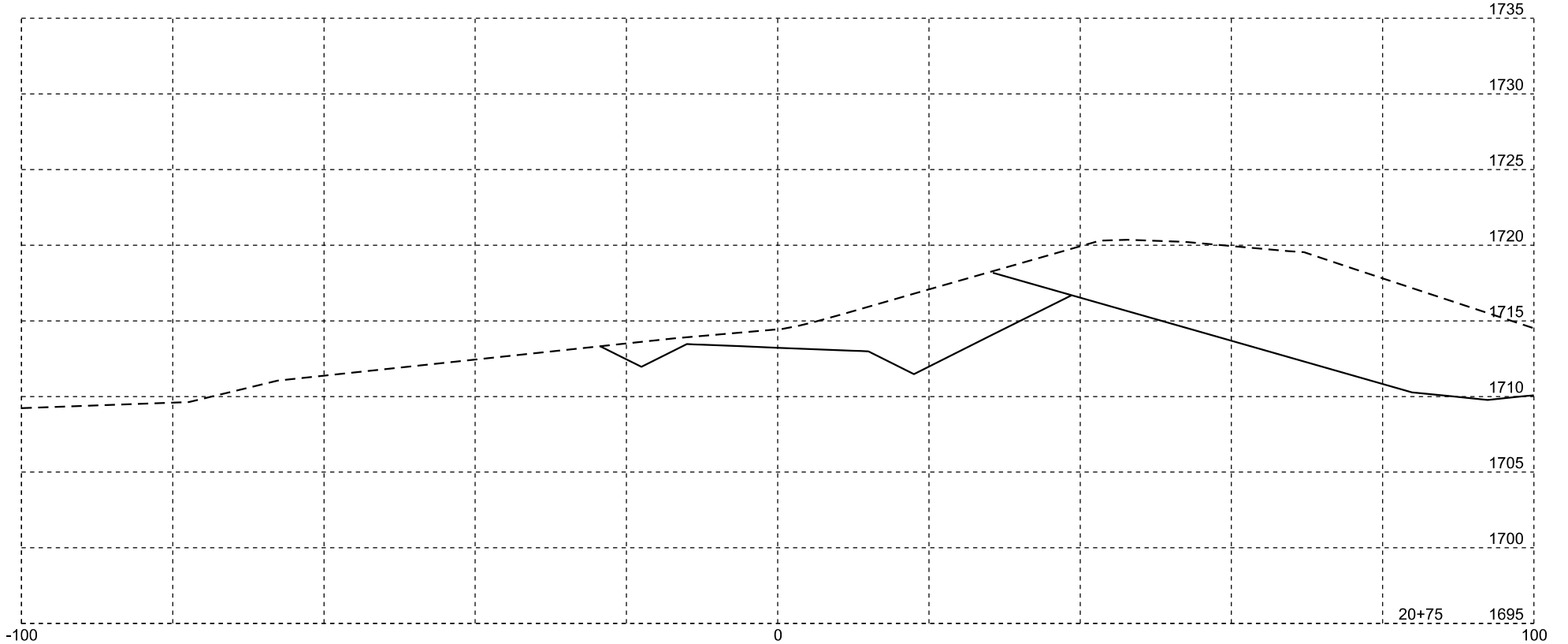
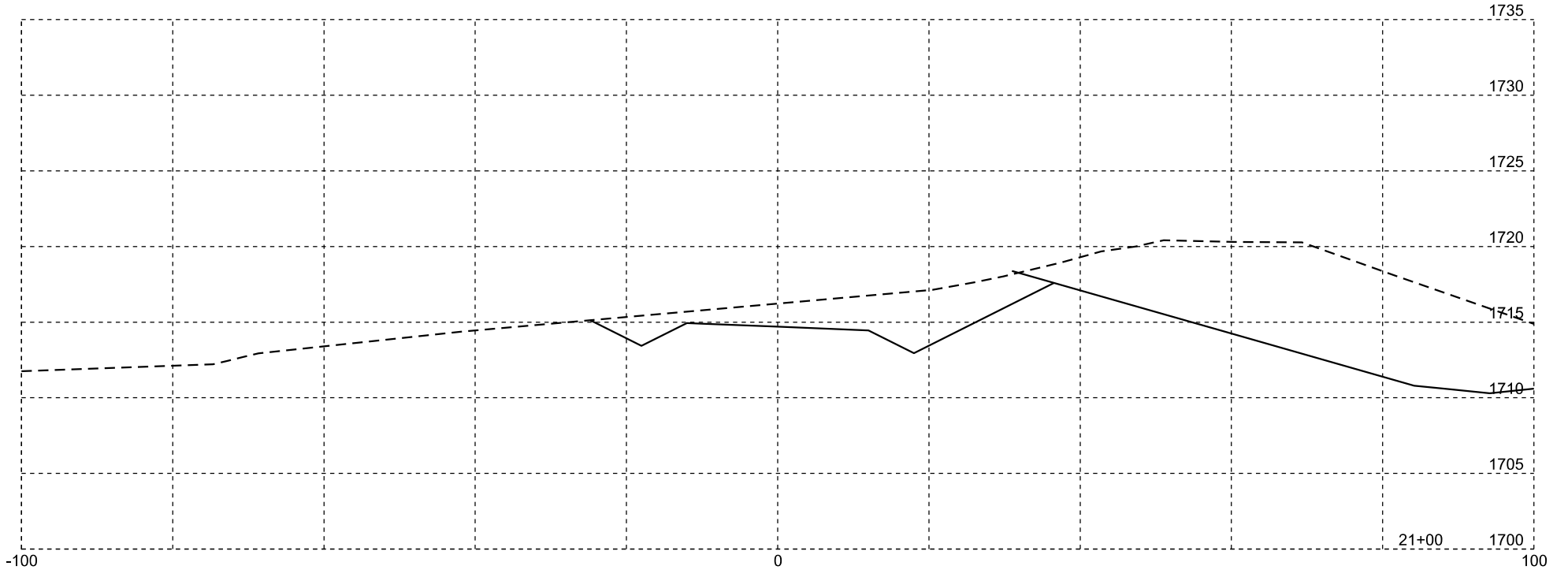
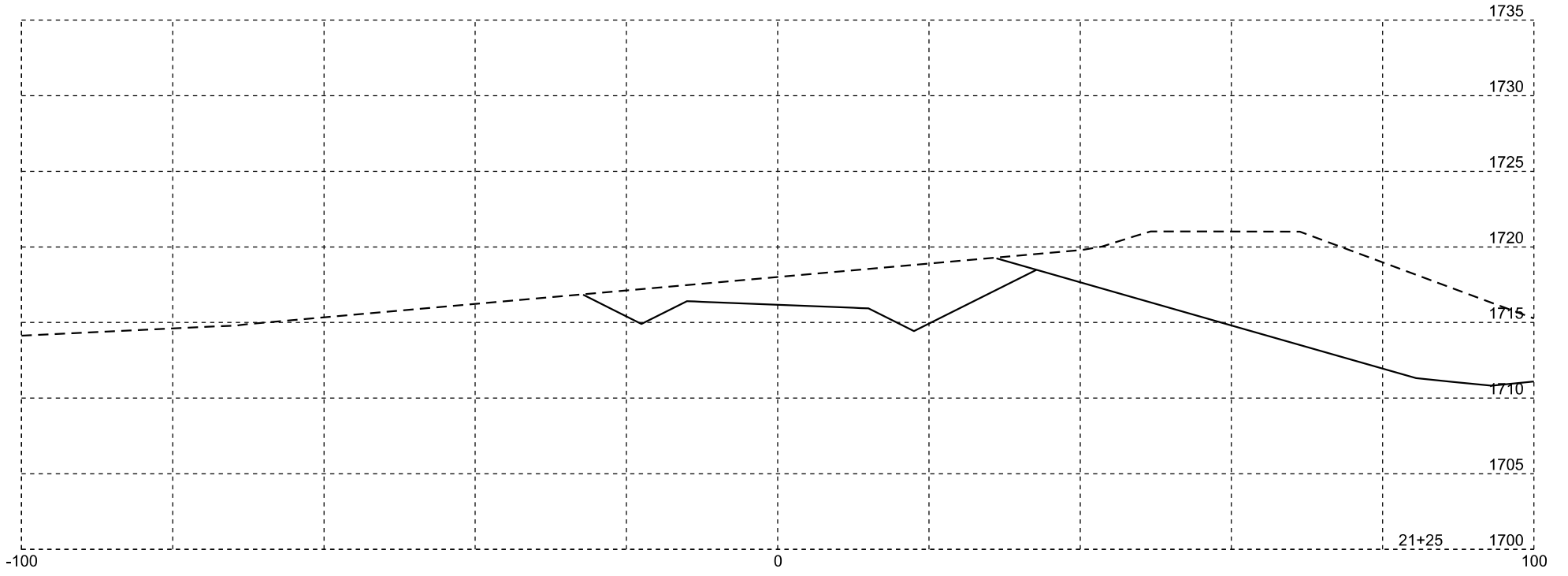
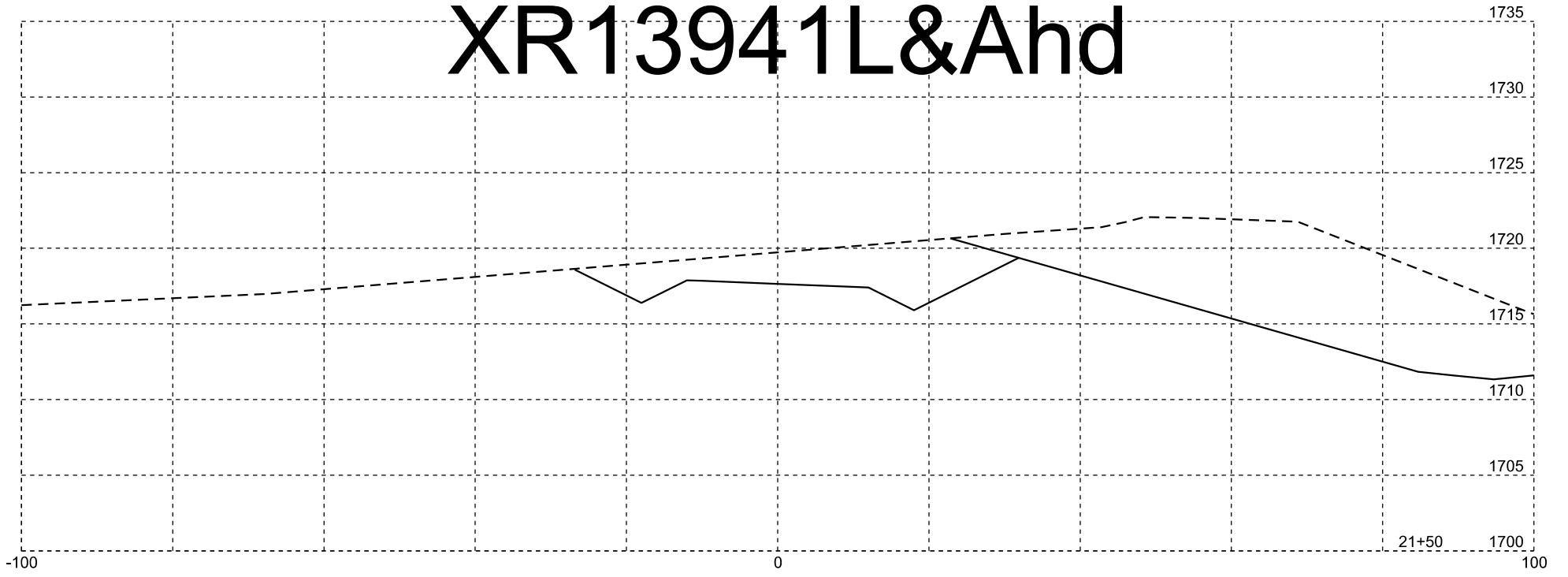
XR13941L&Ahd



Plotting Date: 10/23/2024

STATE OF SOUTH DAKOTA	PROJECT	SHEET NO.	TOTAL SHEETS
	PH 0028(36)355	X119	X134

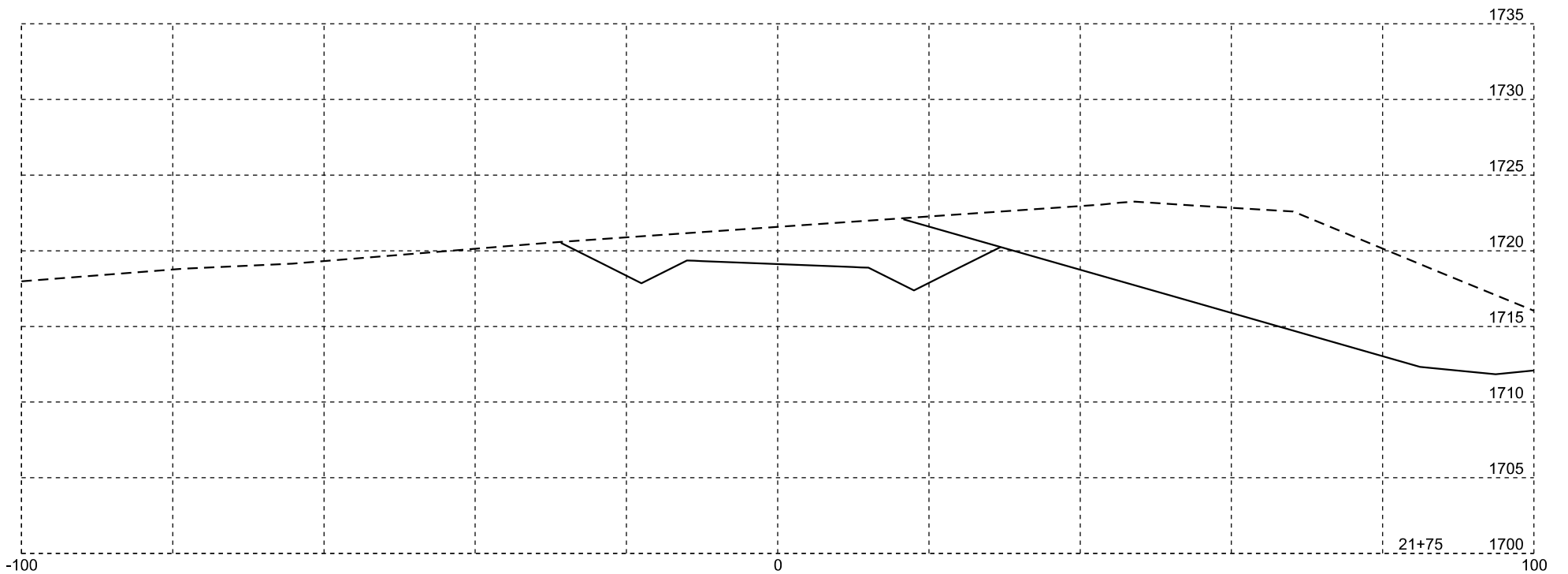
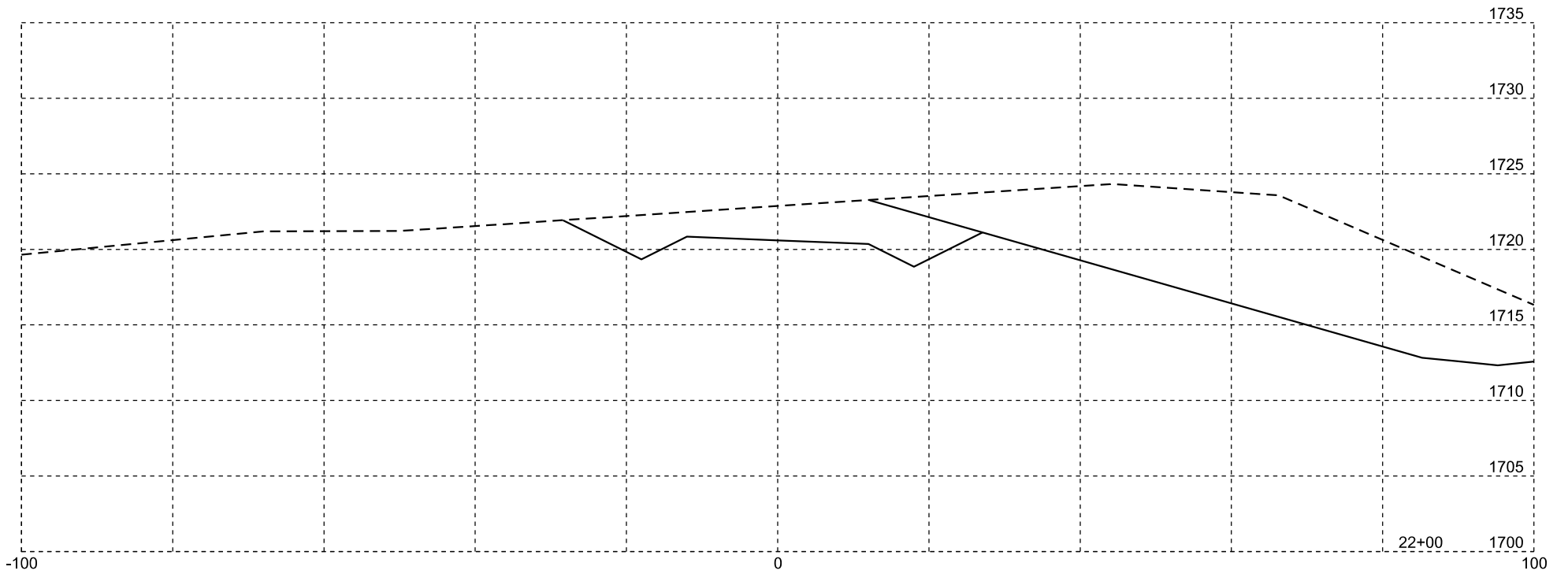
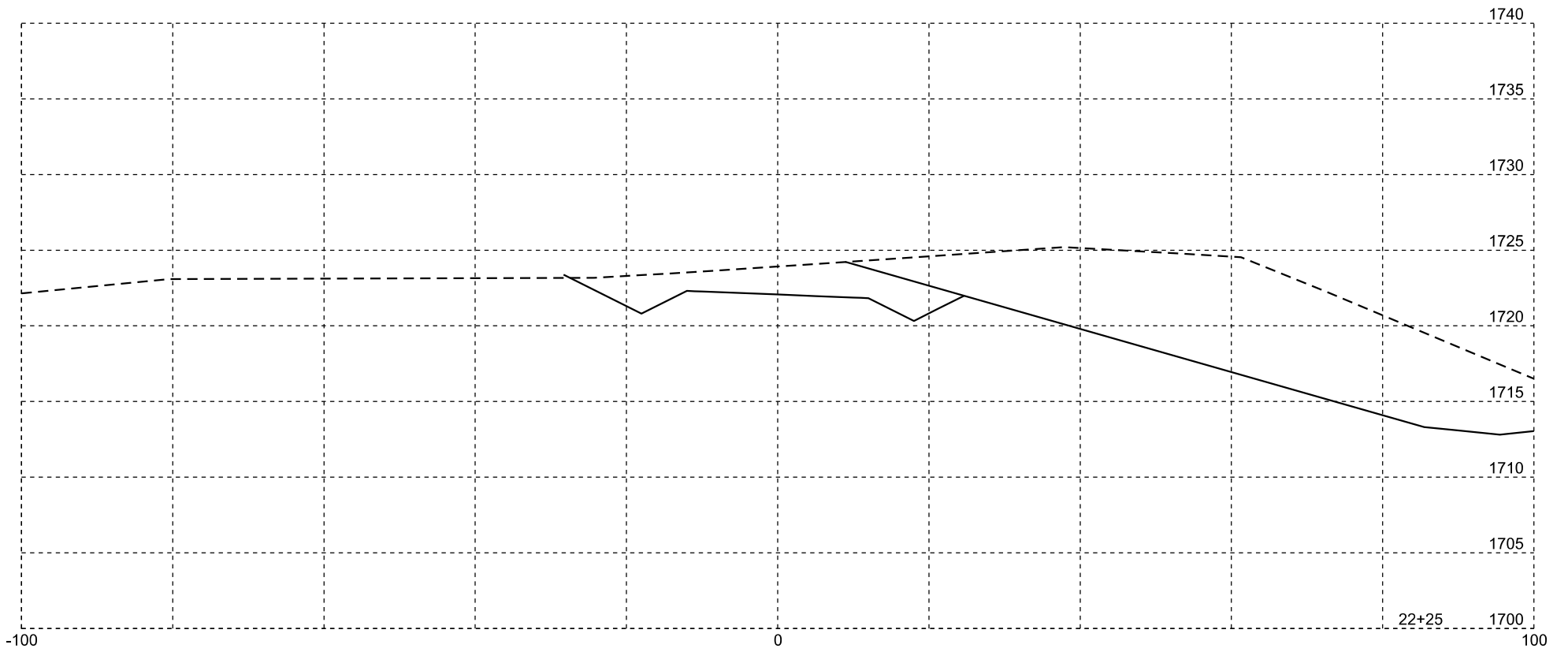
XR13941L&Ahd



Plotting Date: 10/23/2024

STATE OF SOUTH DAKOTA	PROJECT	SHEET NO.	TOTAL SHEETS
	PH 0028(36)355	X120	X134

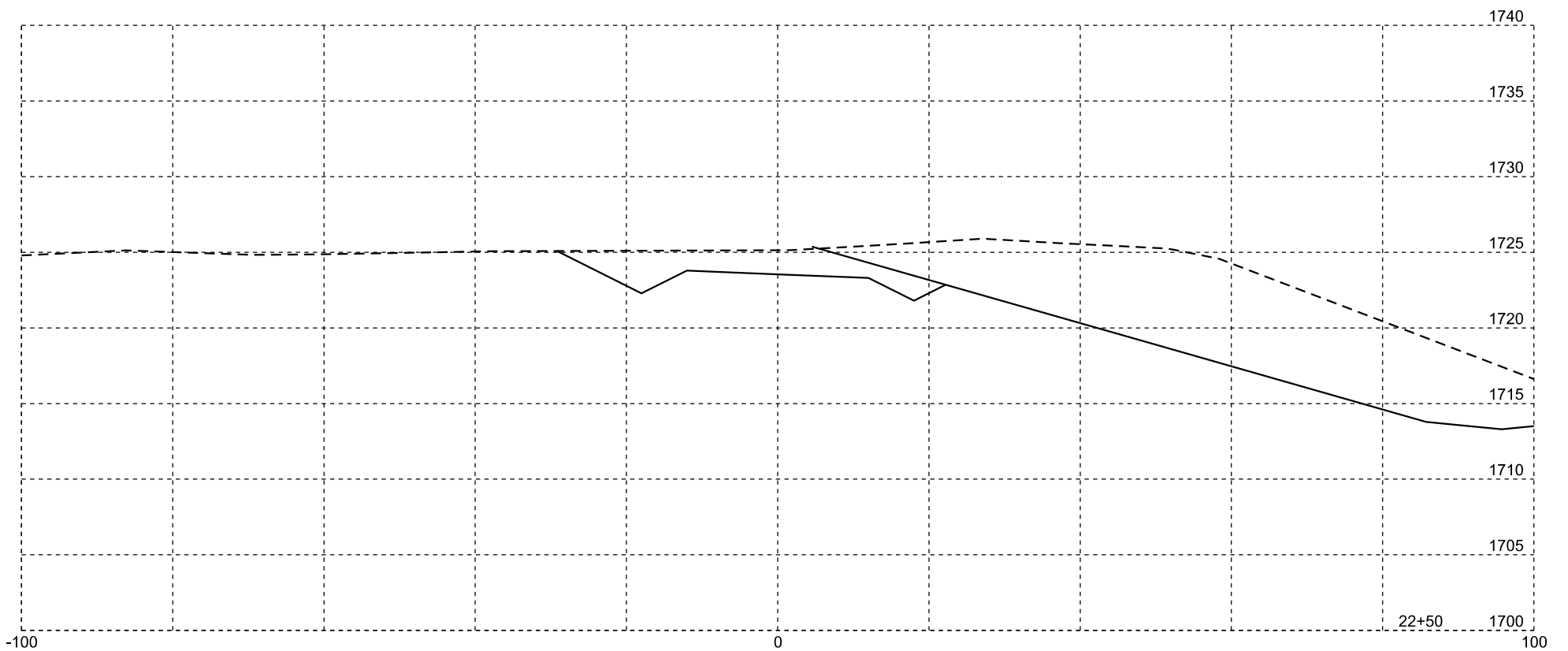
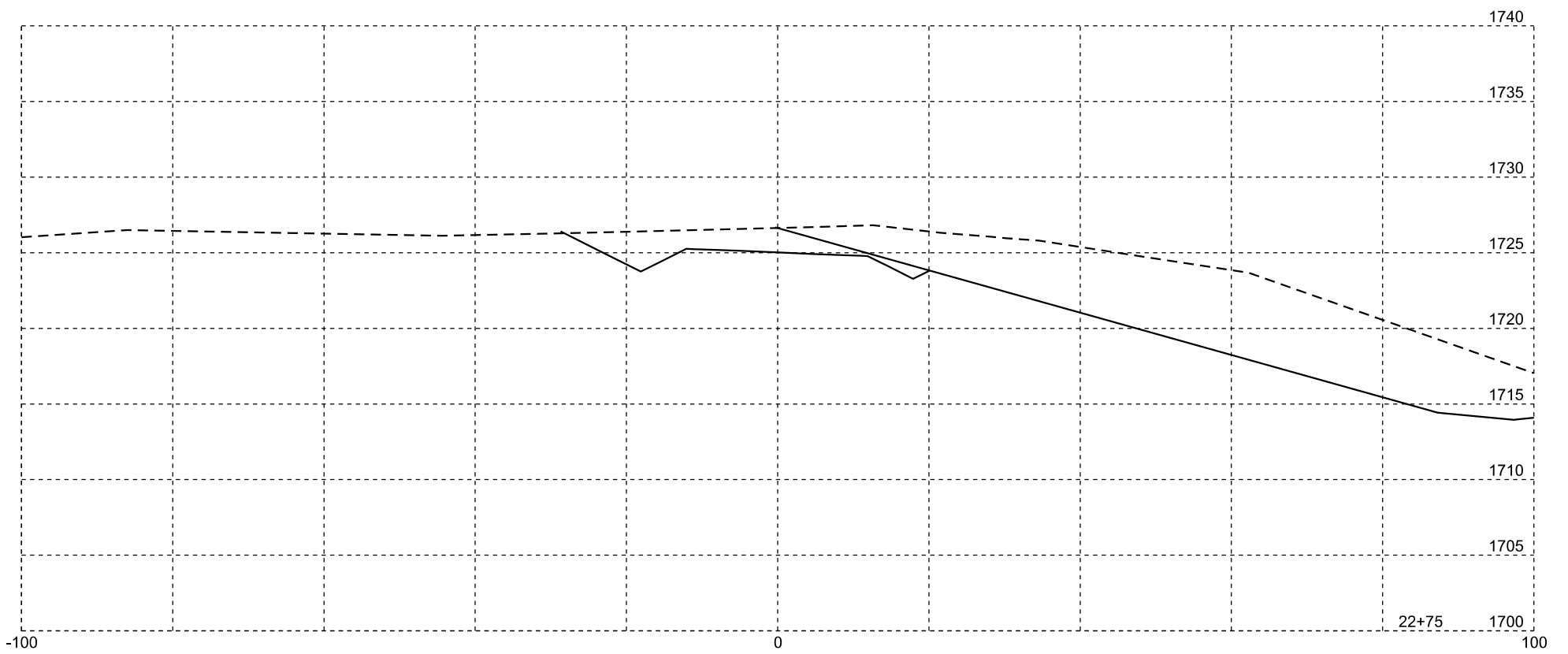
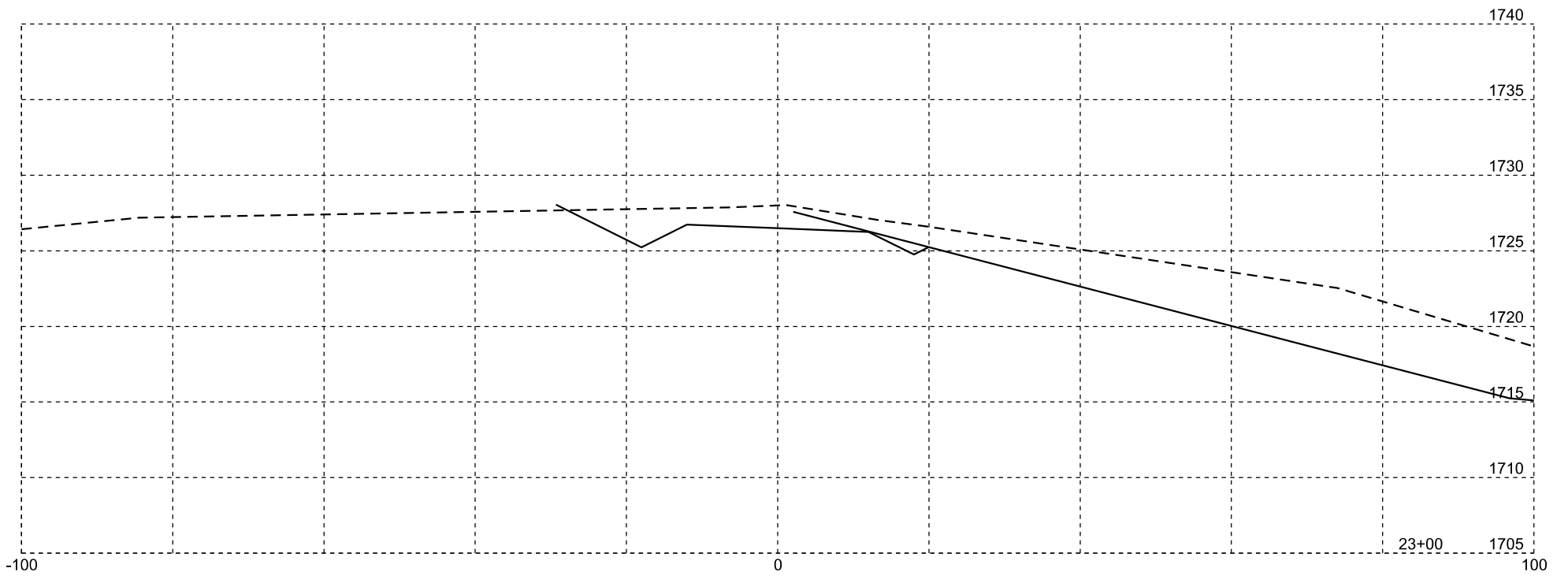
XR13941L&Ahd



Plotting Date: 10/23/2024

STATE OF SOUTH DAKOTA	PROJECT	SHEET NO.	TOTAL SHEETS
	PH 0028(36)355	X121	X134

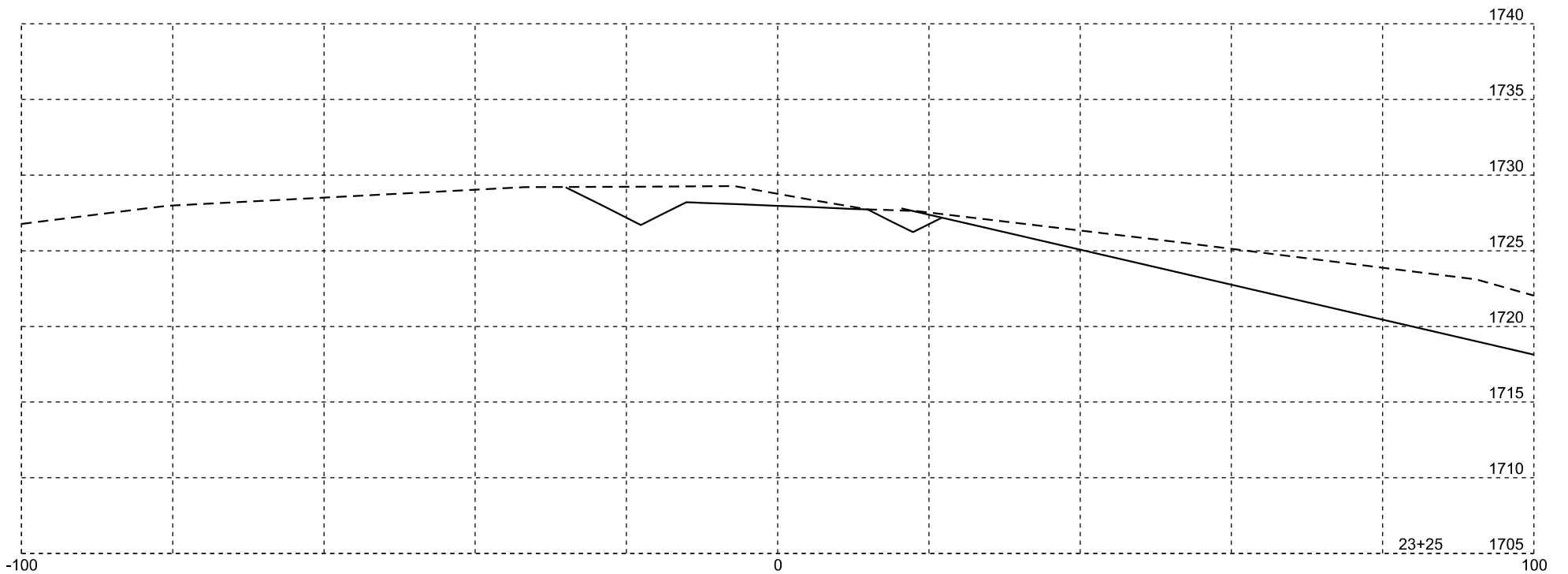
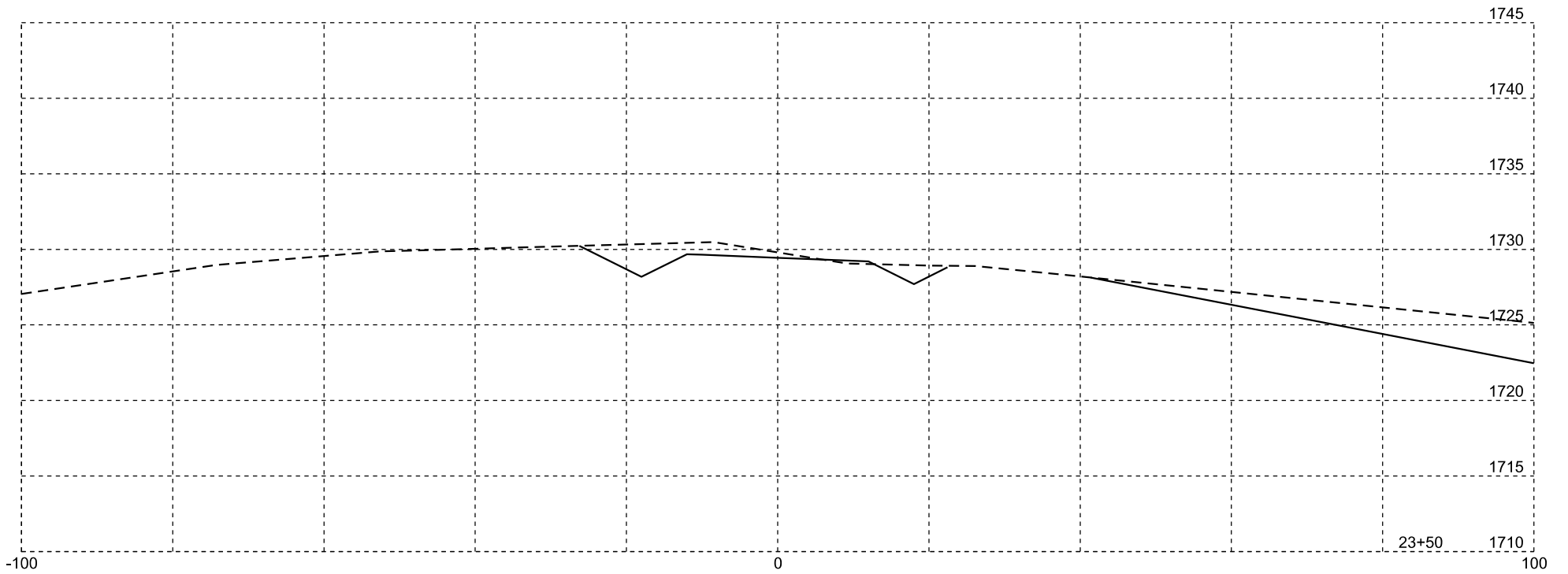
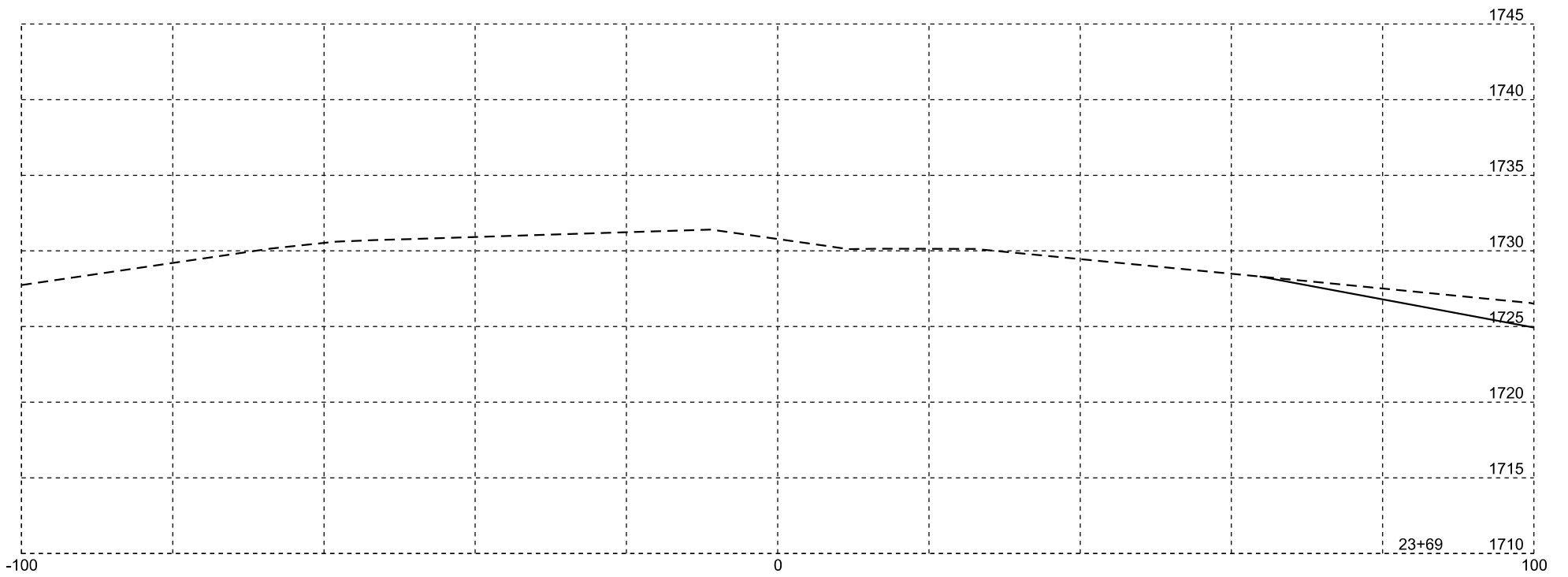
XR13941L&Ahd



Plotting Date: 10/23/2024

STATE OF SOUTH DAKOTA	PROJECT	SHEET NO.	TOTAL SHEETS
	PH 0028(36)355	X122	X134

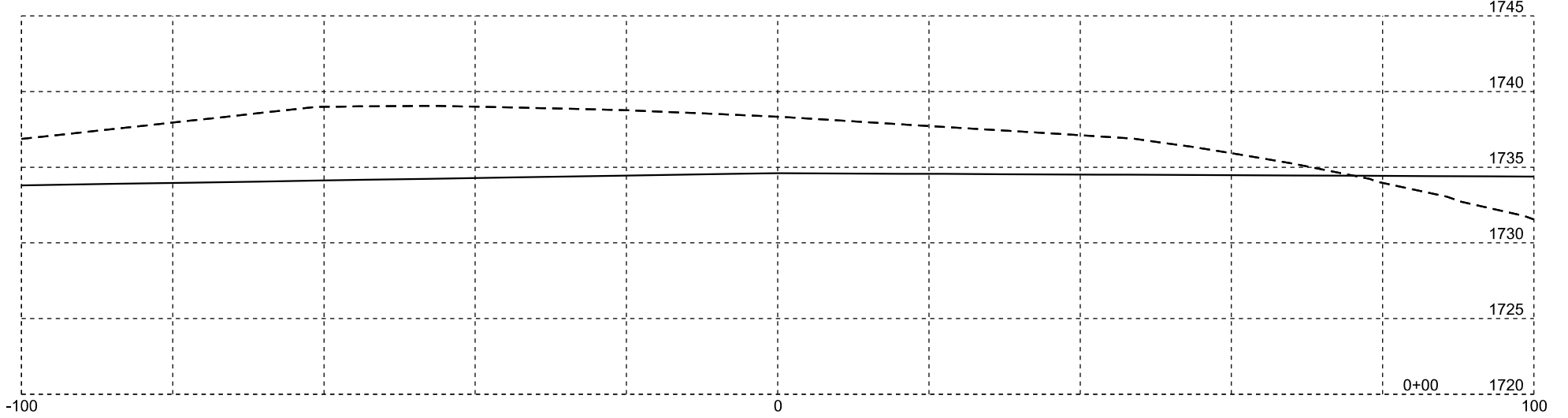
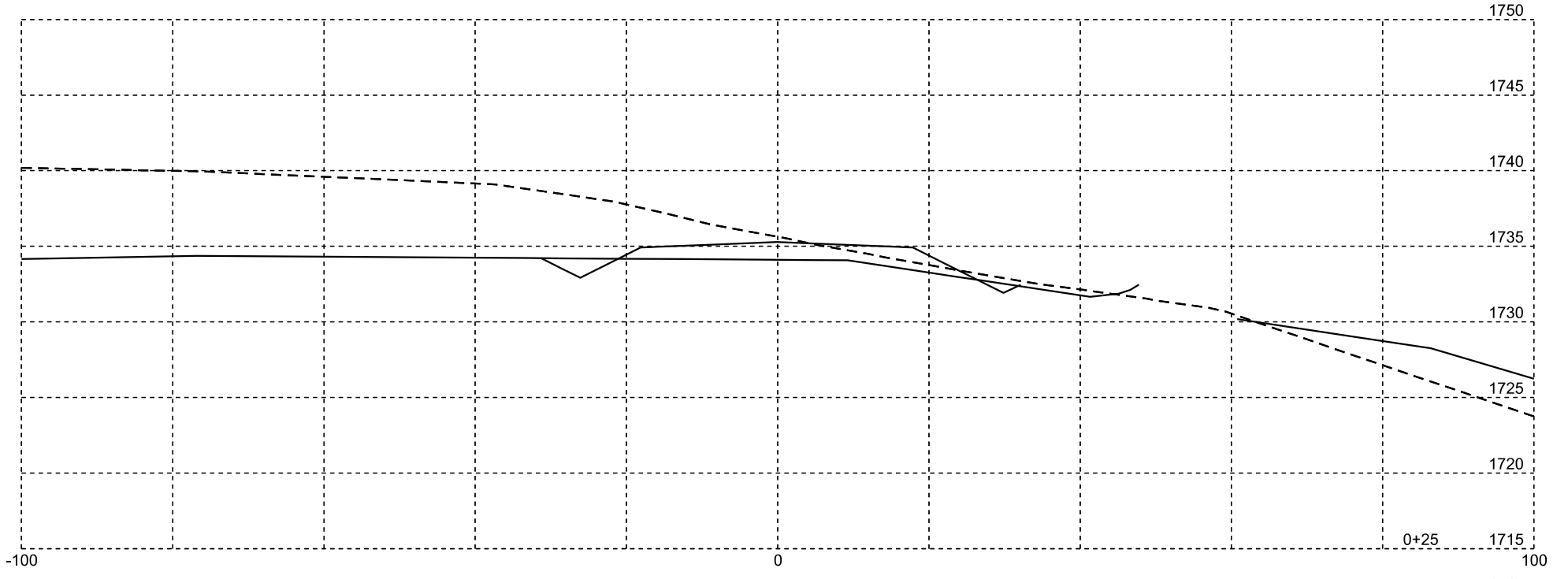
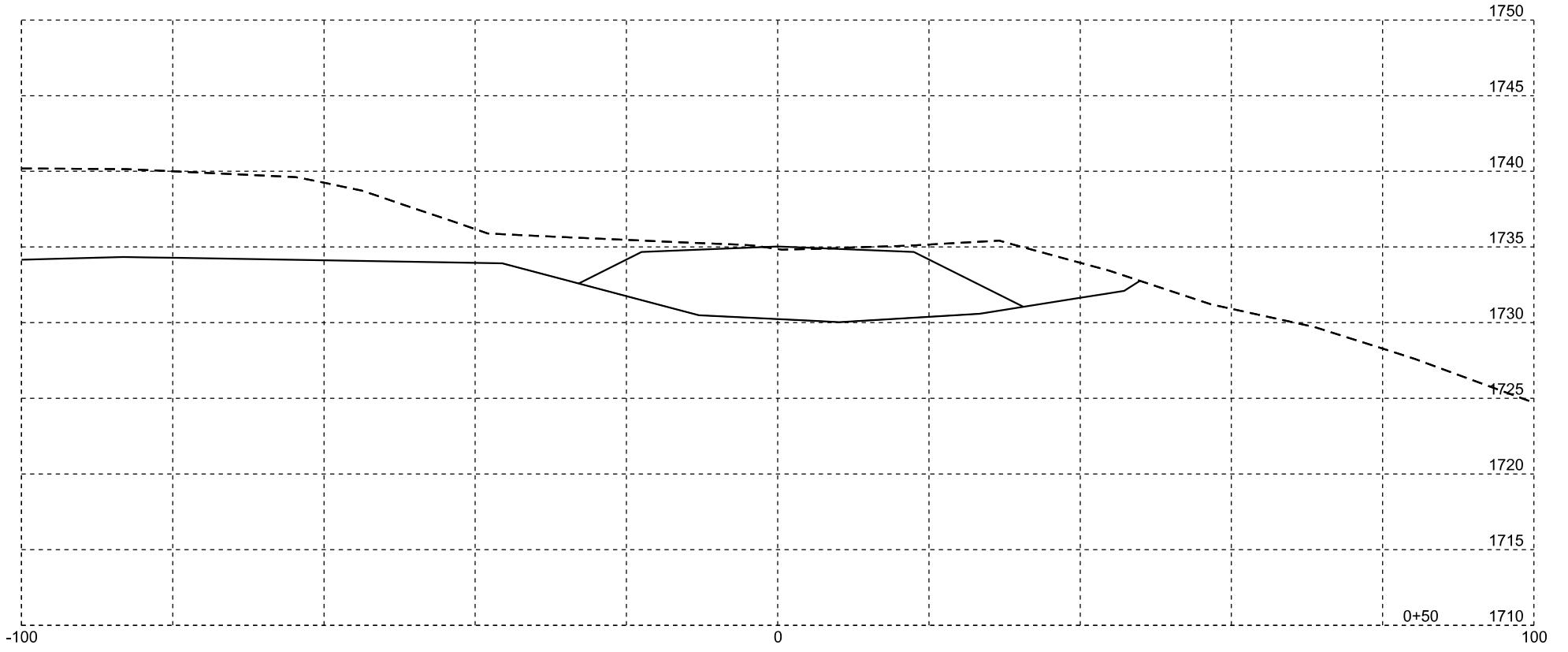
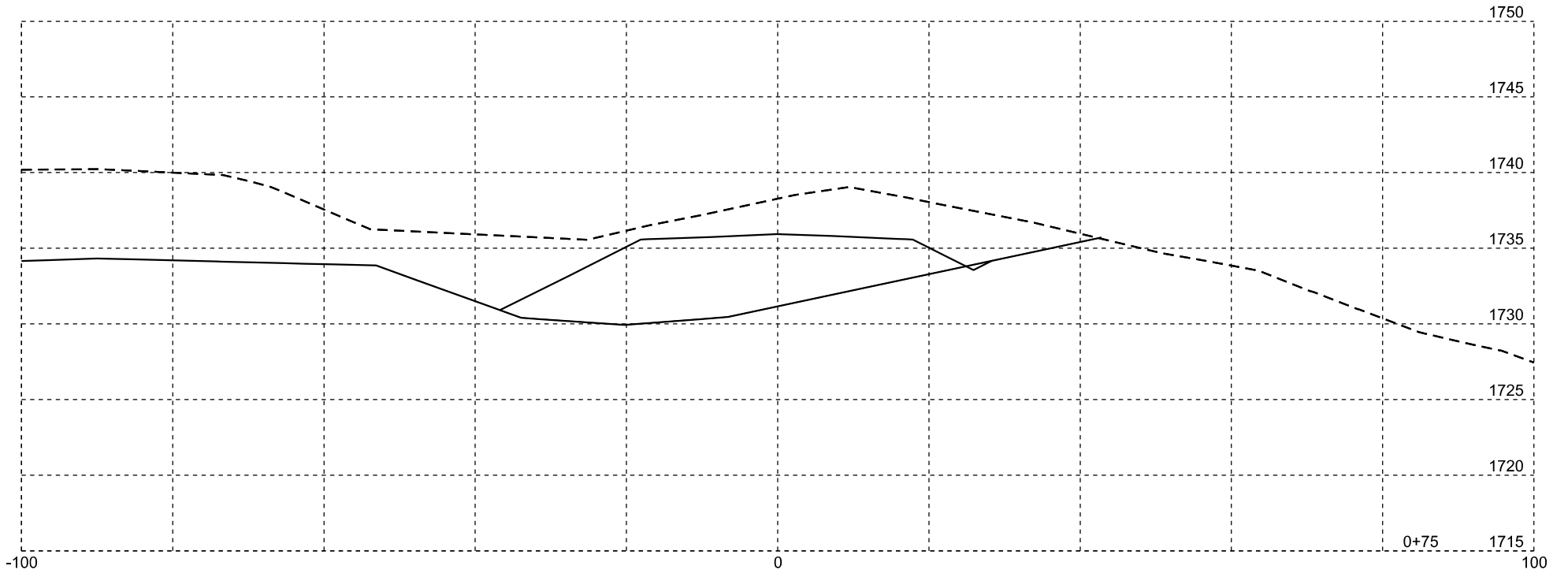
XR13941L&Ahd



Plotting Date: 10/23/2024

STATE OF SOUTH DAKOTA	PROJECT	SHEET NO.	TOTAL SHEETS
	PH 0028(36)355	X123	X134

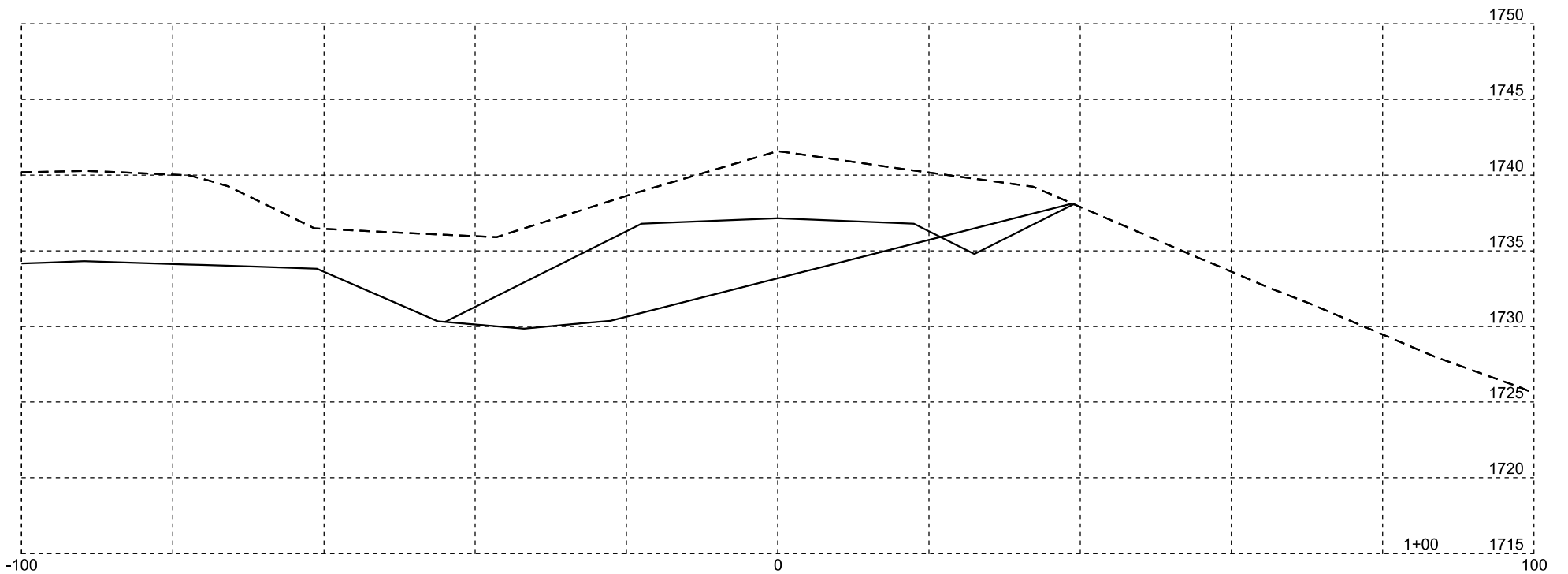
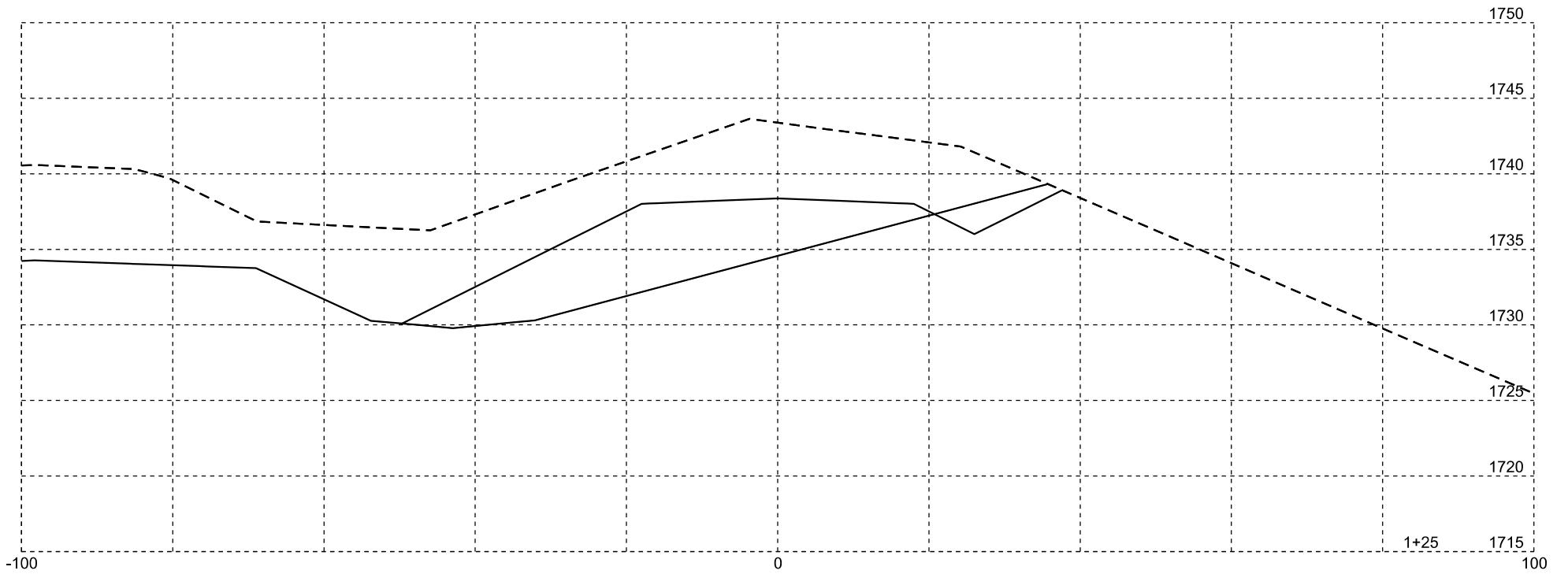
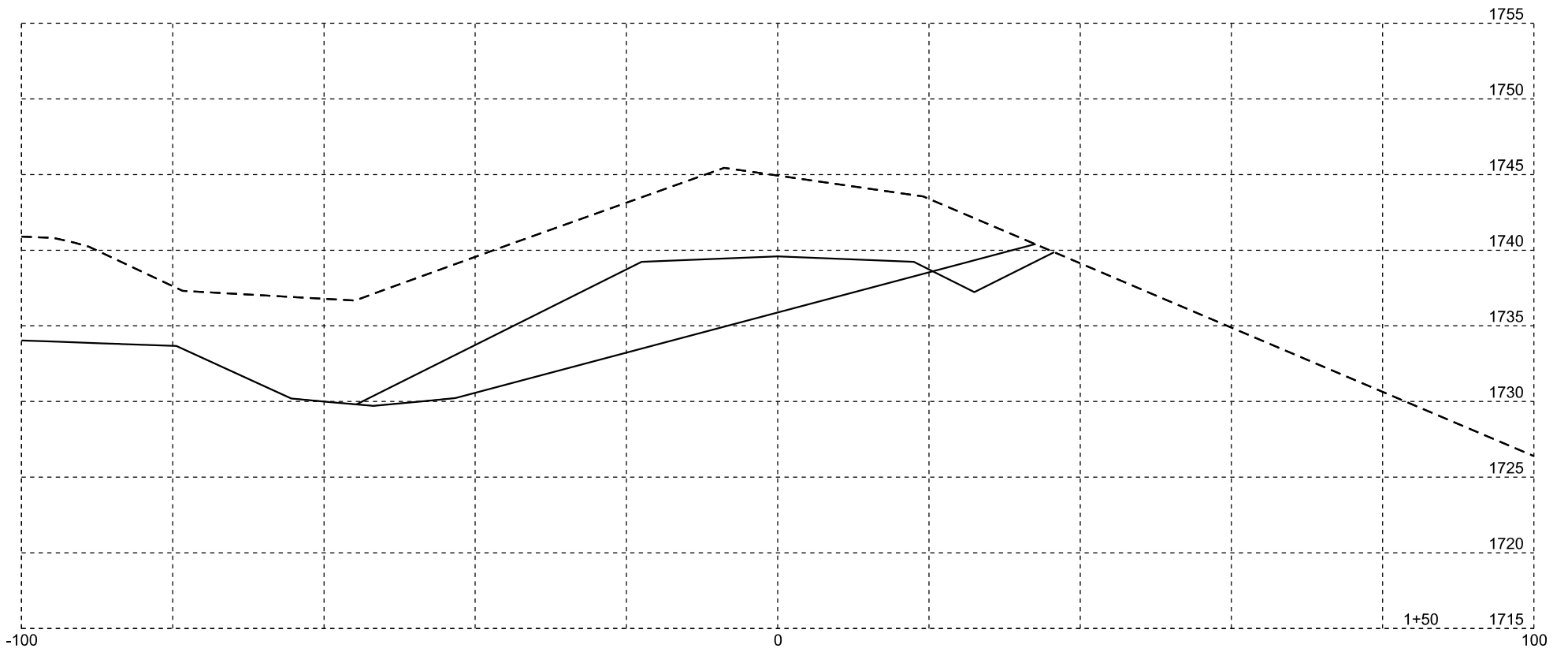
XR16559L



Plotting Date: 10/23/2024

STATE OF SOUTH DAKOTA	PROJECT	SHEET NO.	TOTAL SHEETS
	PH 0028(36)355	X124	X134

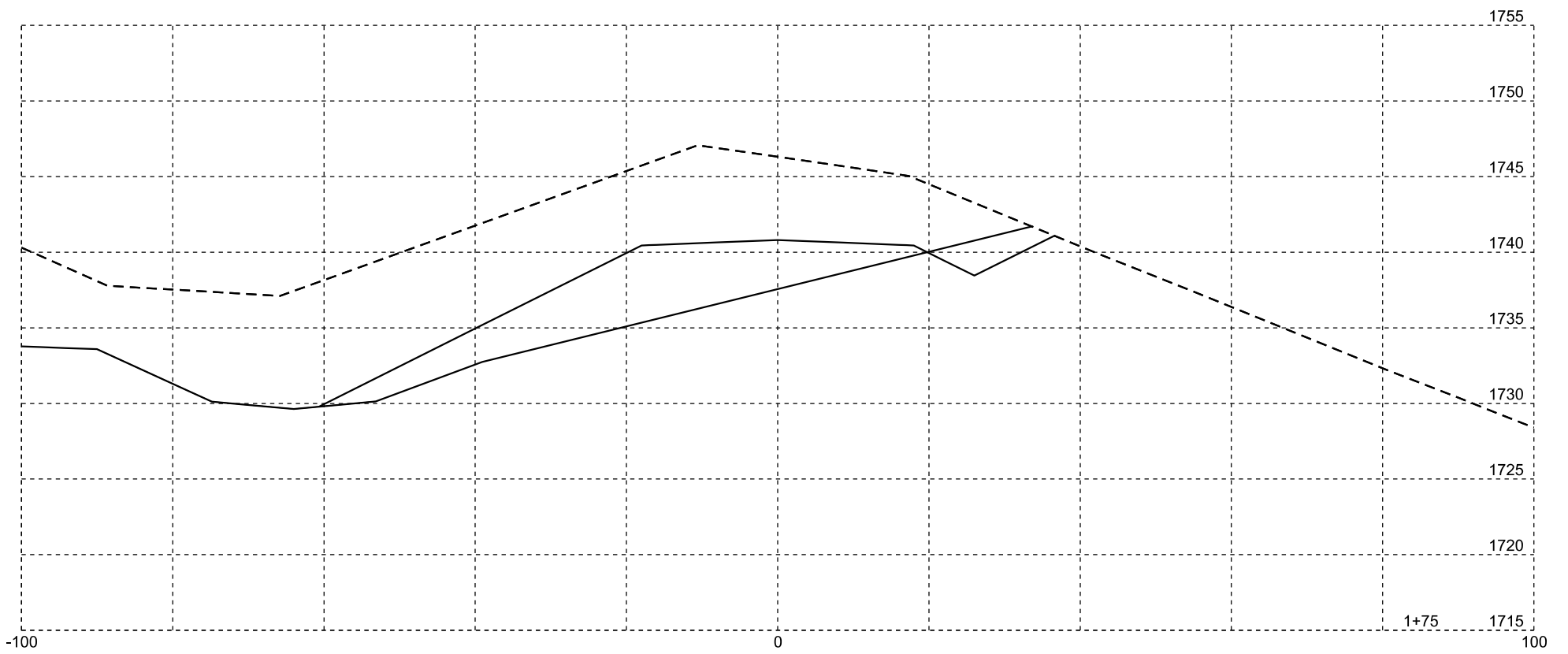
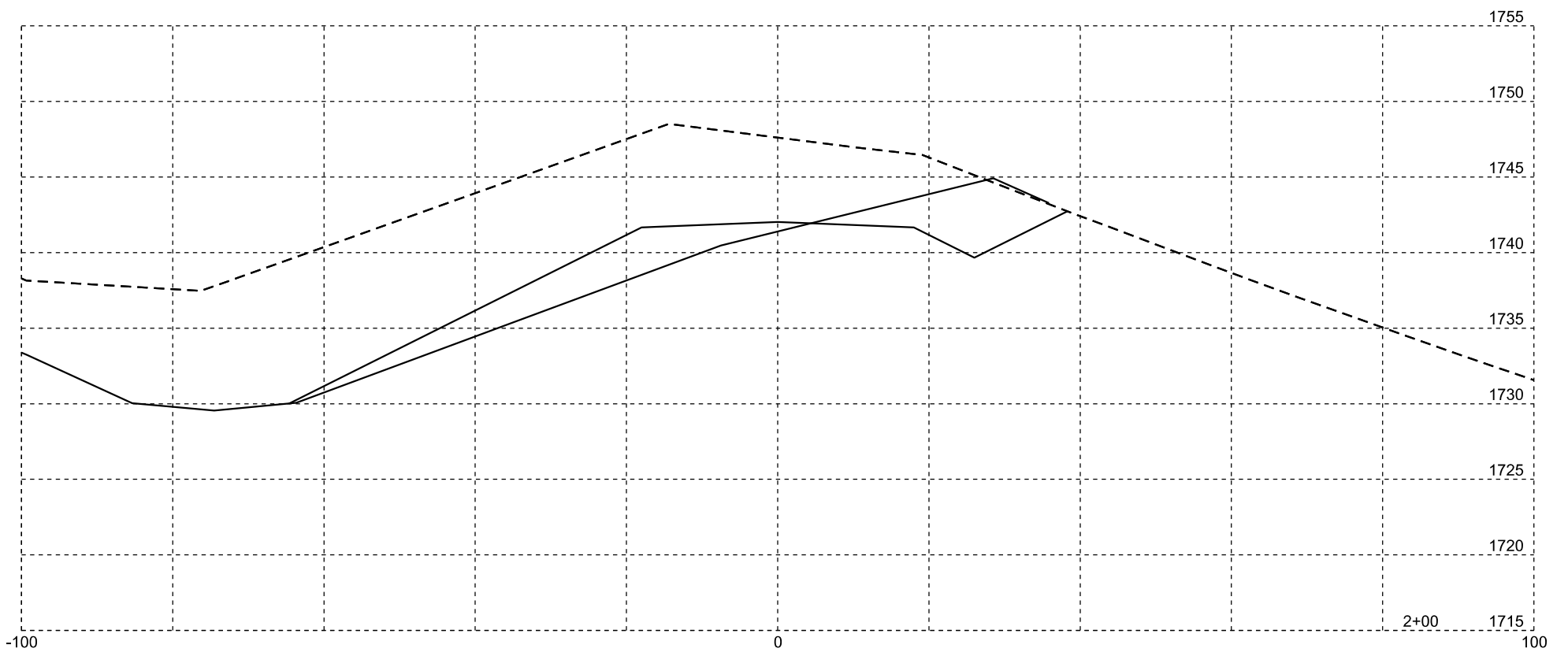
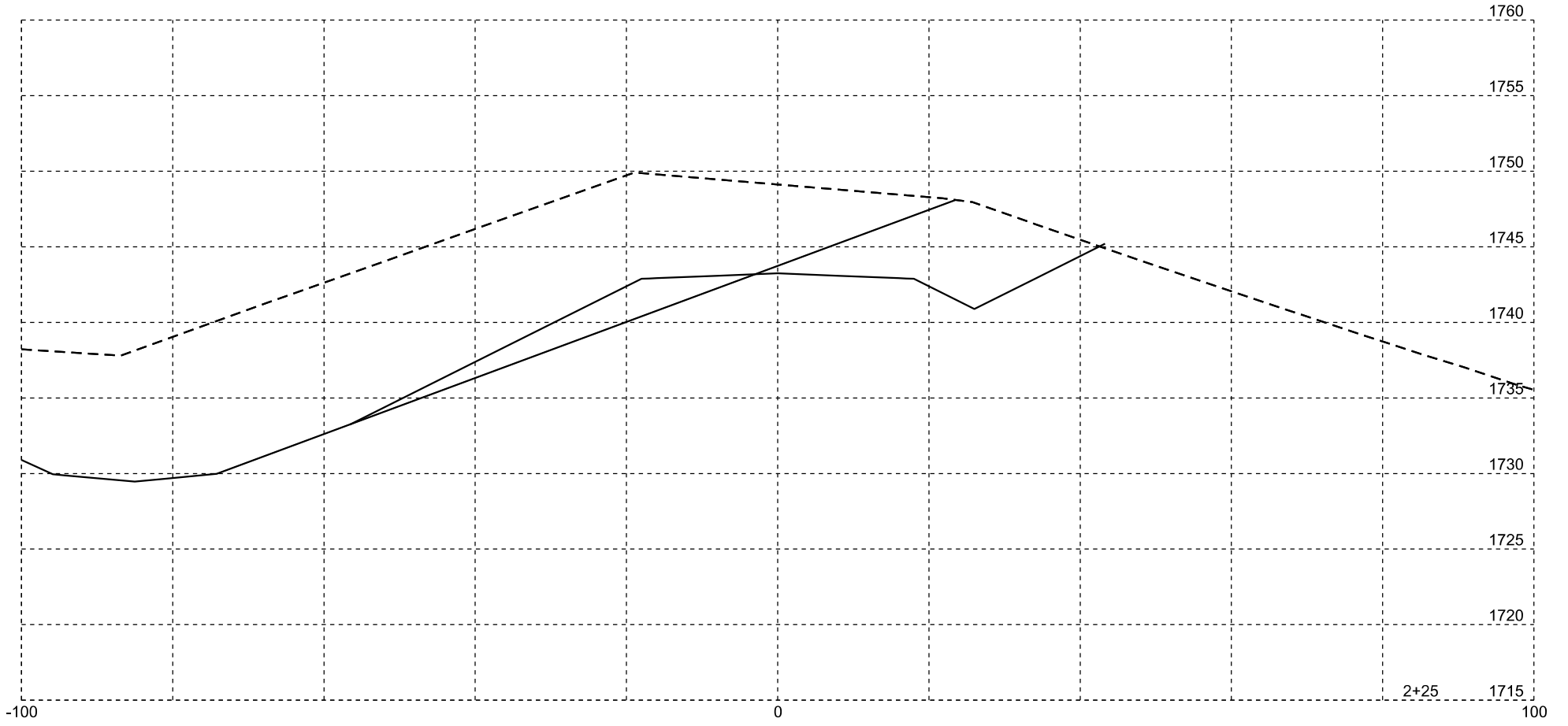
XR16559L



Plotting Date: 10/23/2024

STATE OF SOUTH DAKOTA	PROJECT	SHEET NO.	TOTAL SHEETS
	PH 0028(36)355	X125	X134

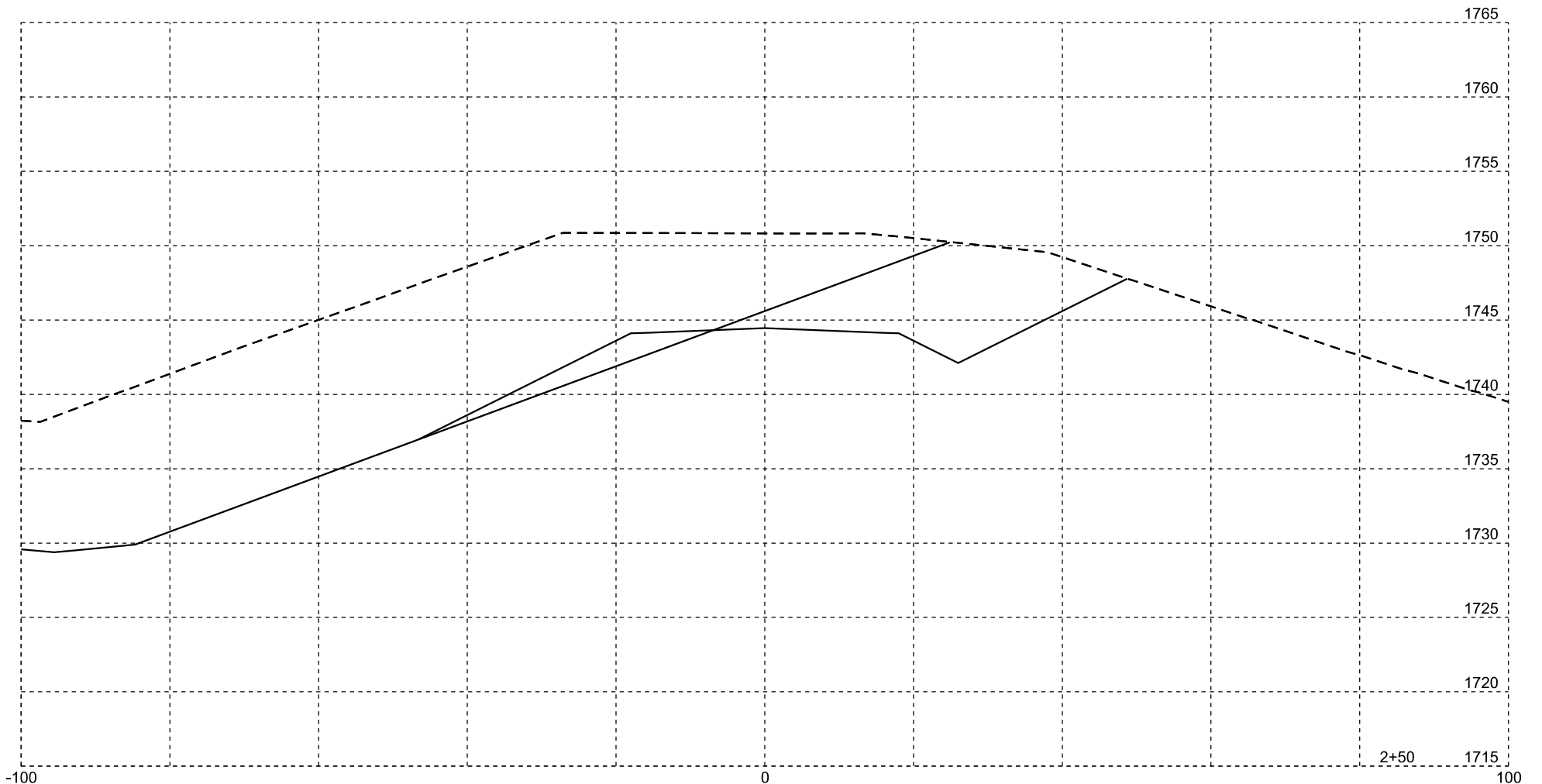
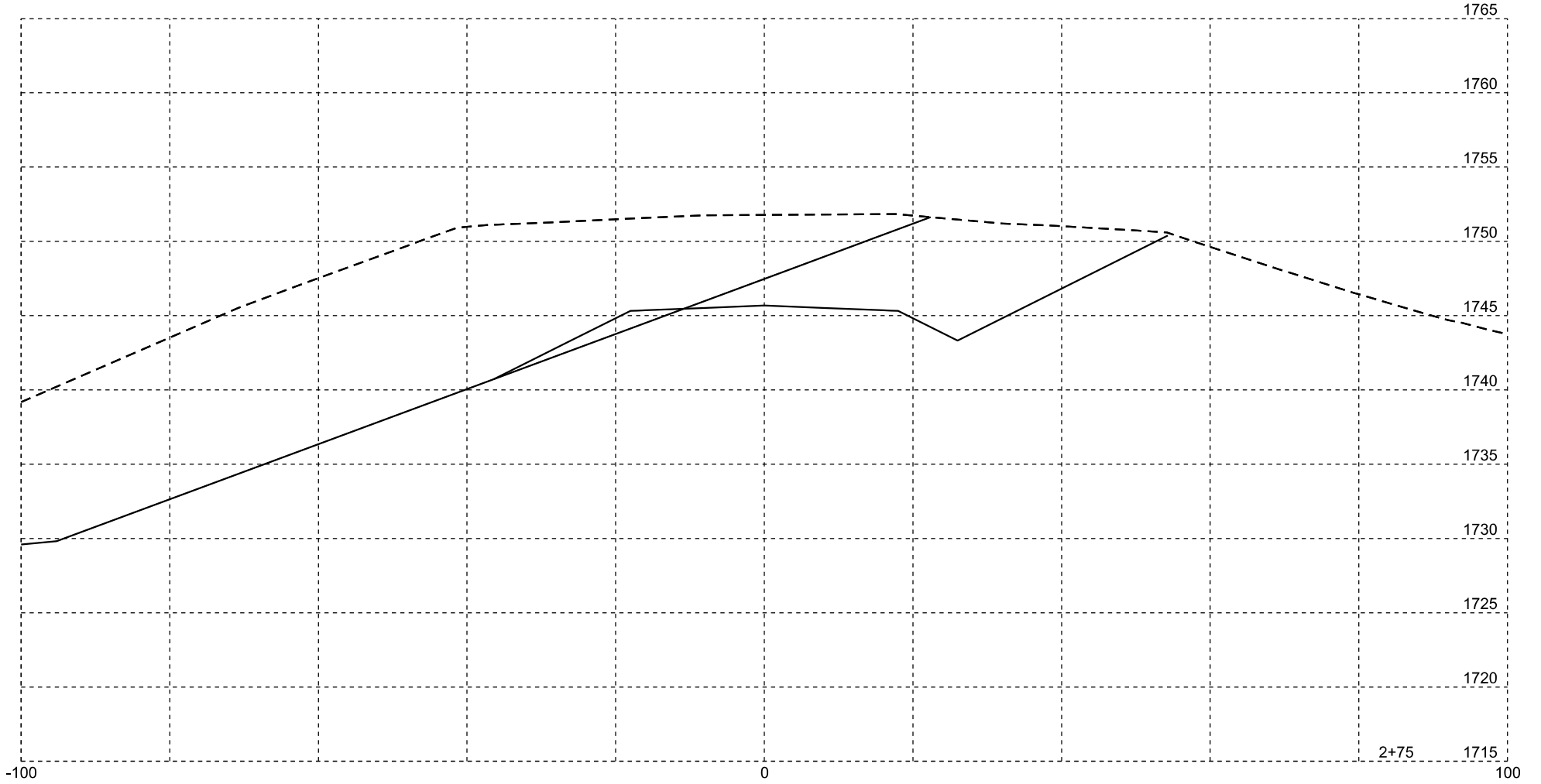
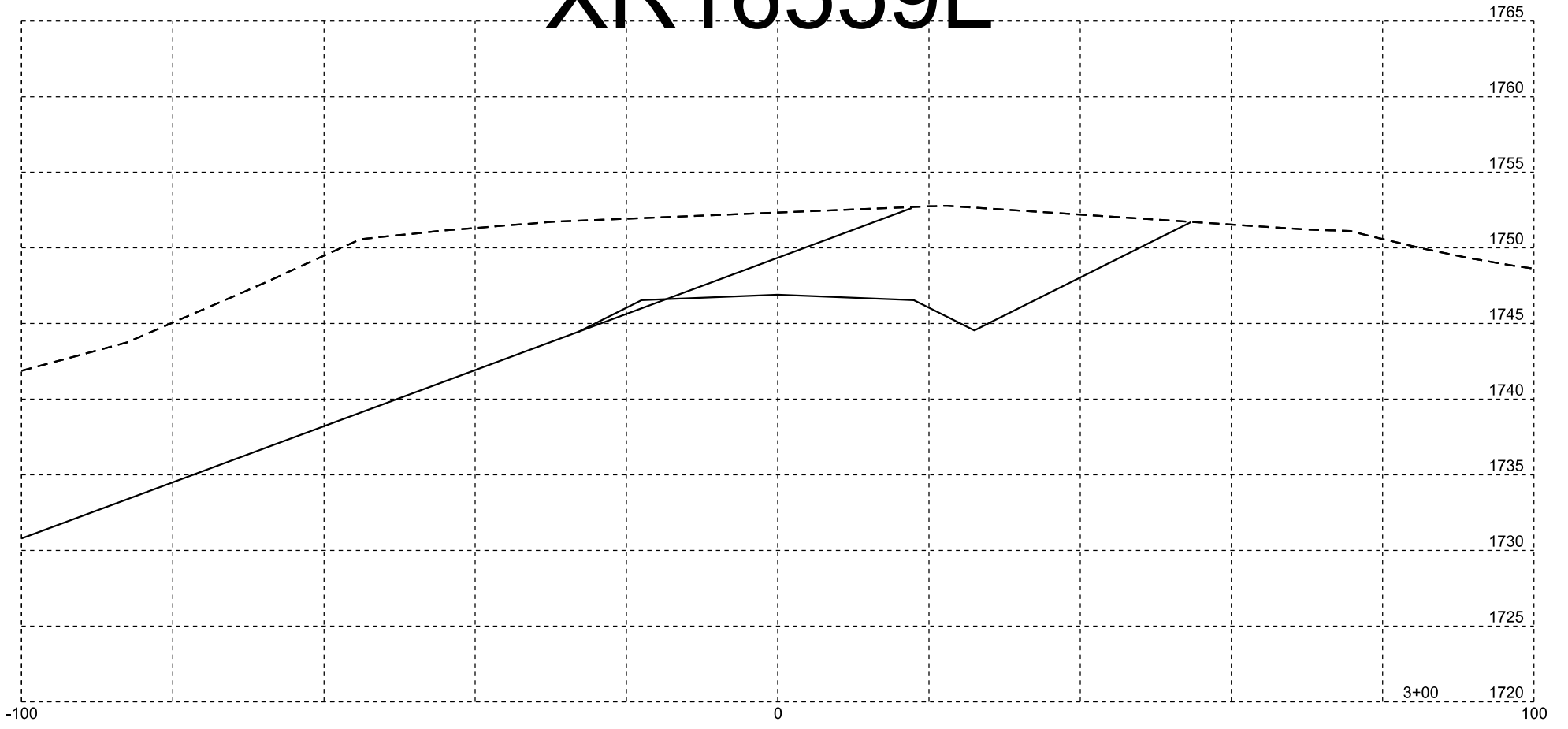
XR16559L



Plotting Date: 10/23/2024

STATE OF SOUTH DAKOTA	PROJECT	SHEET NO.	TOTAL SHEETS
	PH 0028(36)355	X126	X134

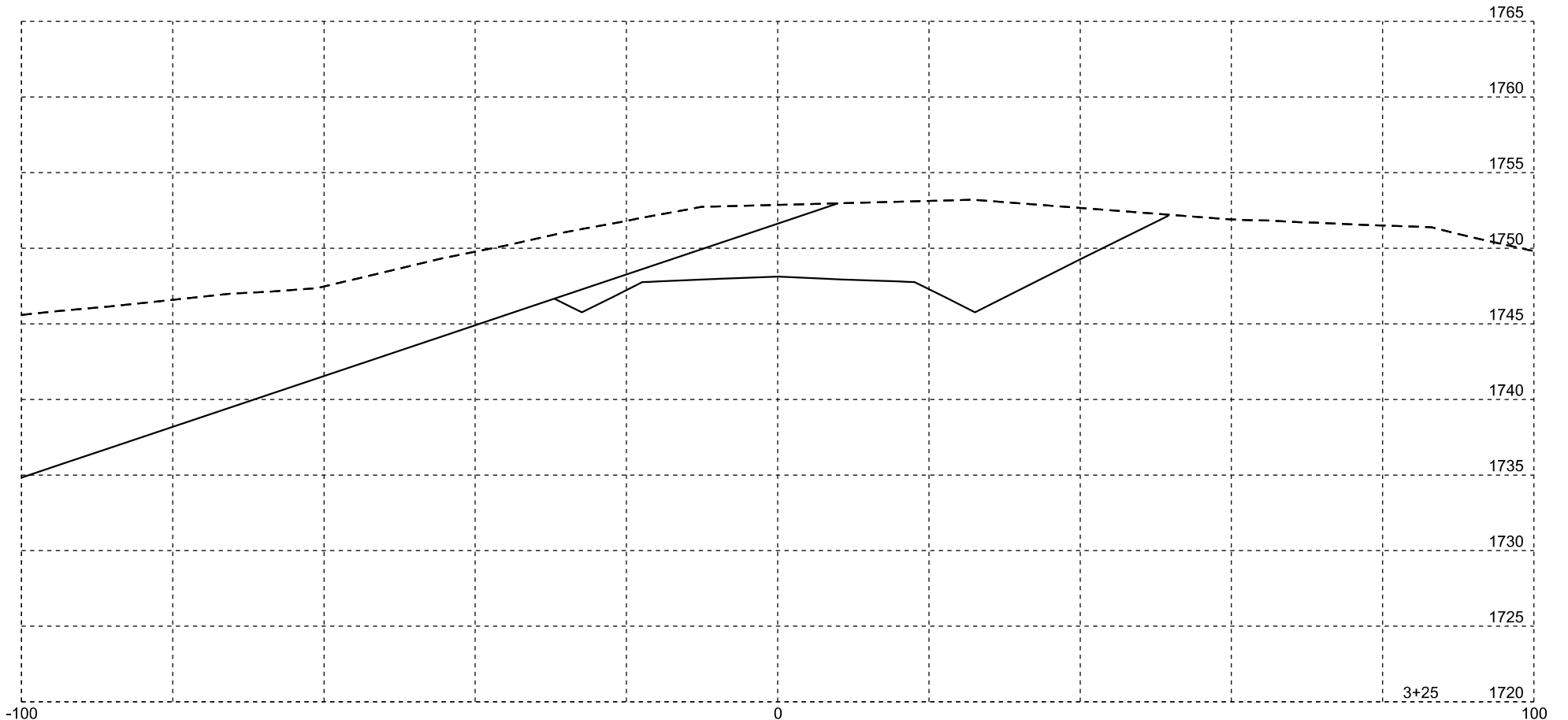
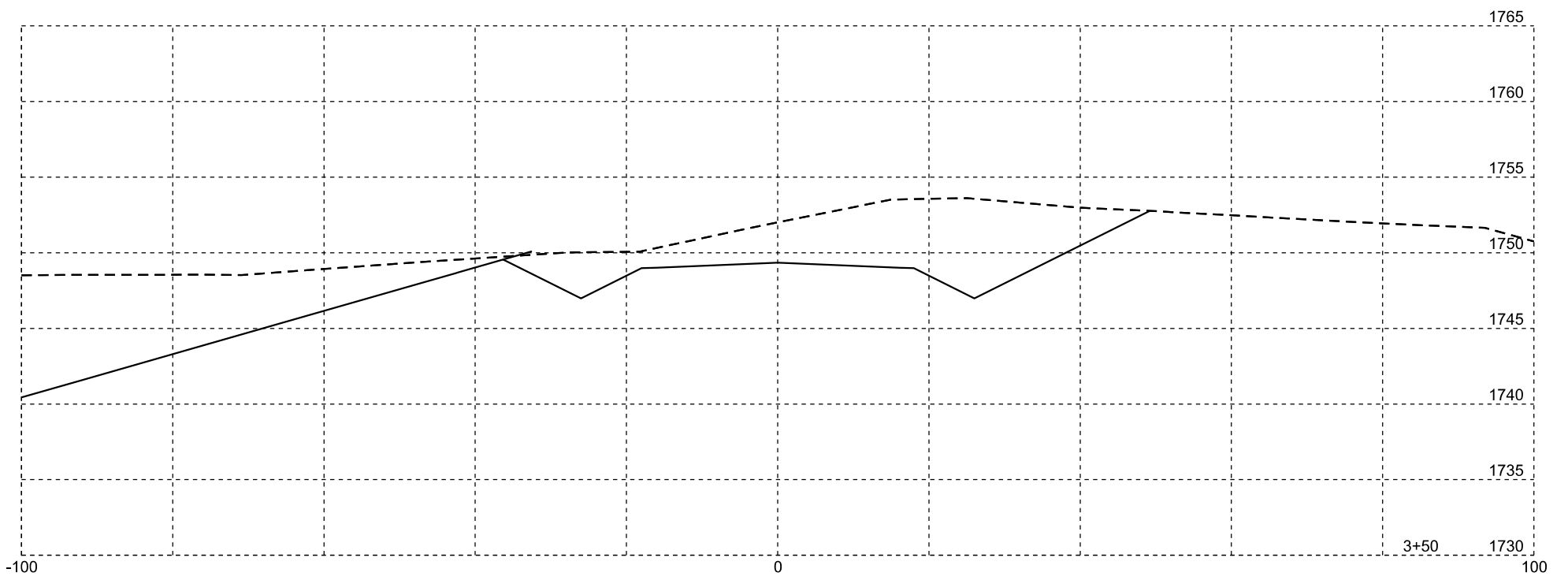
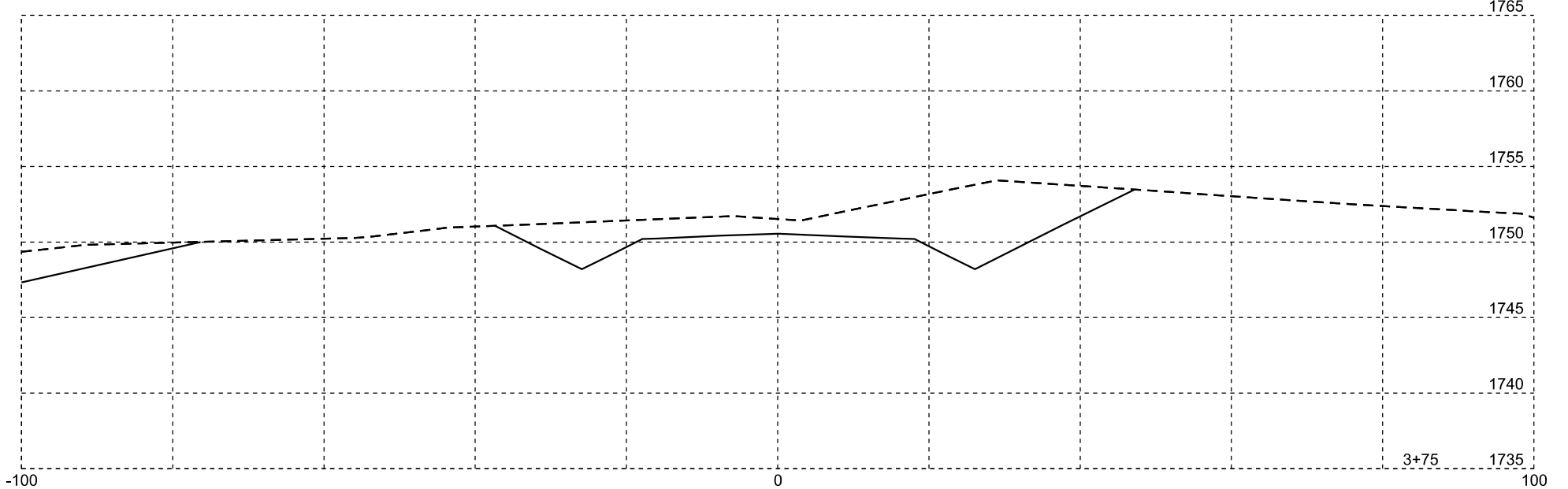
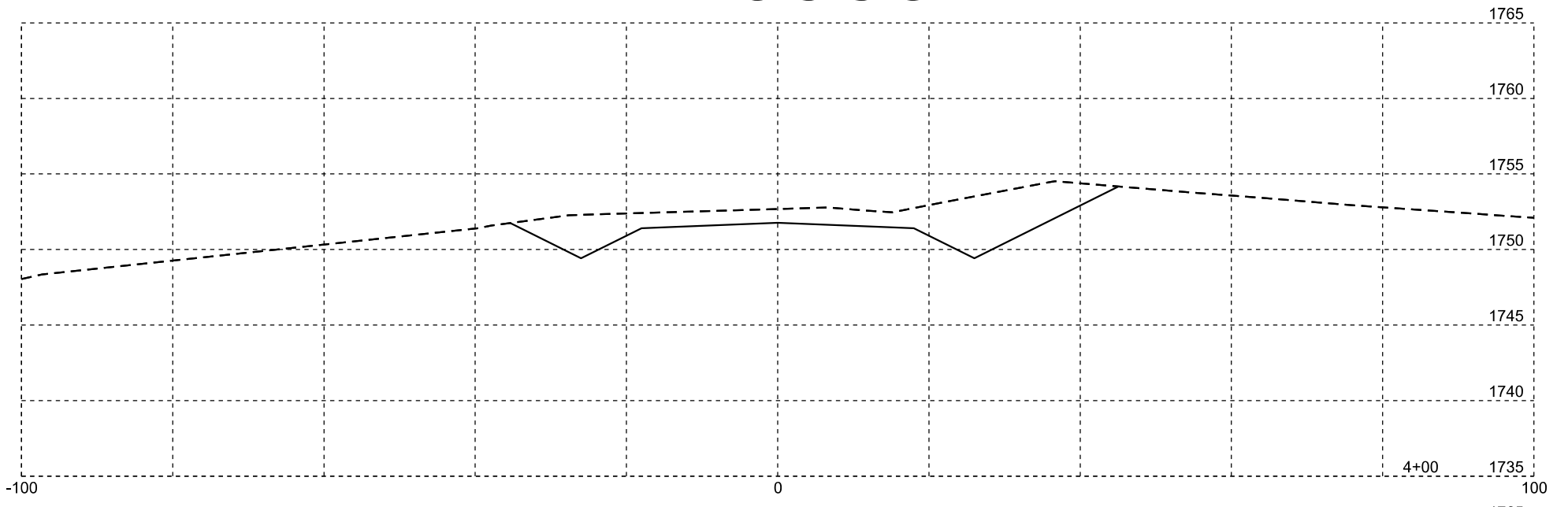
XR16559L



Plotting Date: 10/23/2024

STATE OF SOUTH DAKOTA	PROJECT	SHEET NO.	TOTAL SHEETS
	PH 0028(36)355	X127	X134

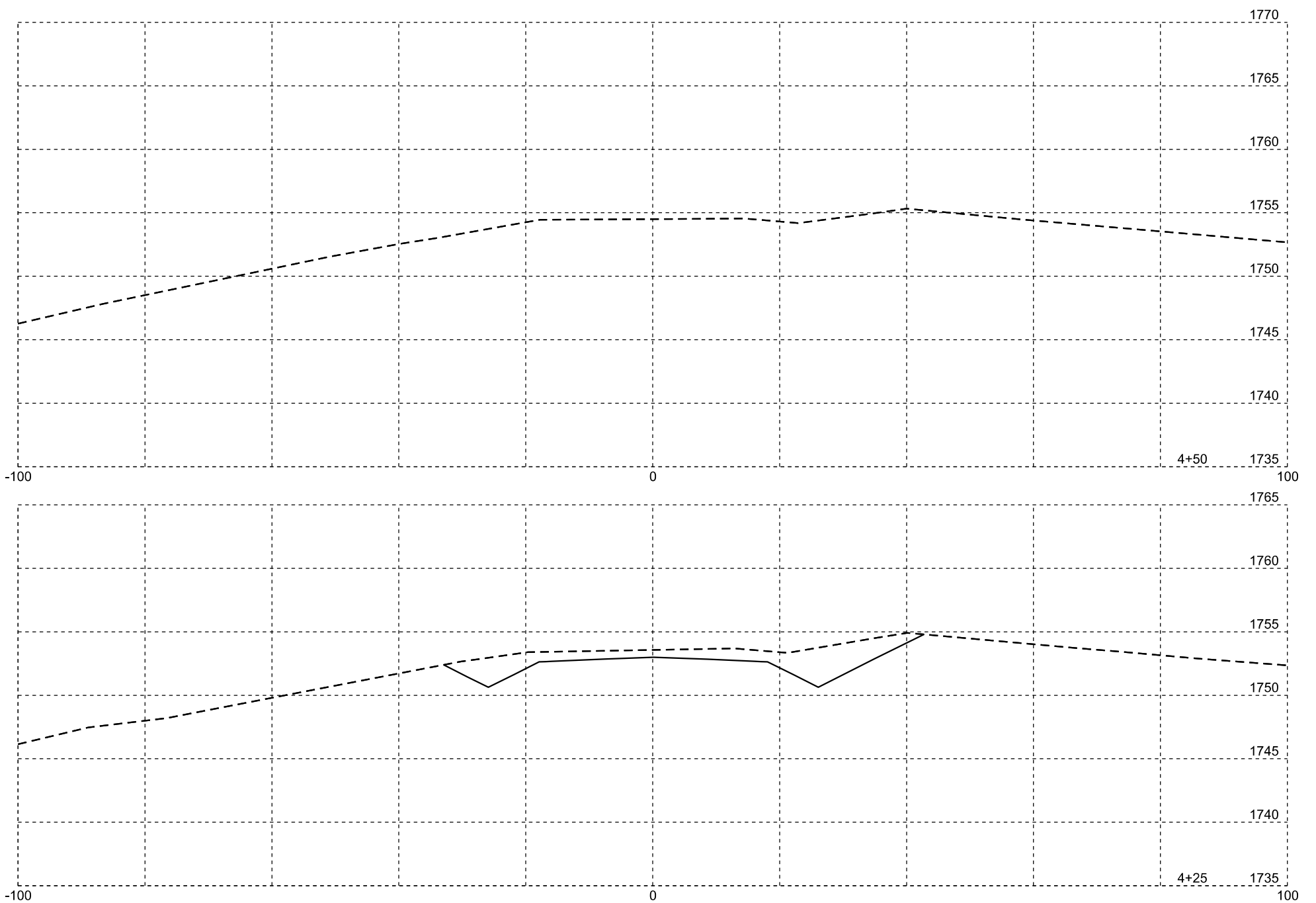
XR16559L



Plotting Date: 10/23/2024

STATE OF SOUTH DAKOTA	PROJECT	SHEET NO.	TOTAL SHEETS
	PH 0028(36)355	X128	X134

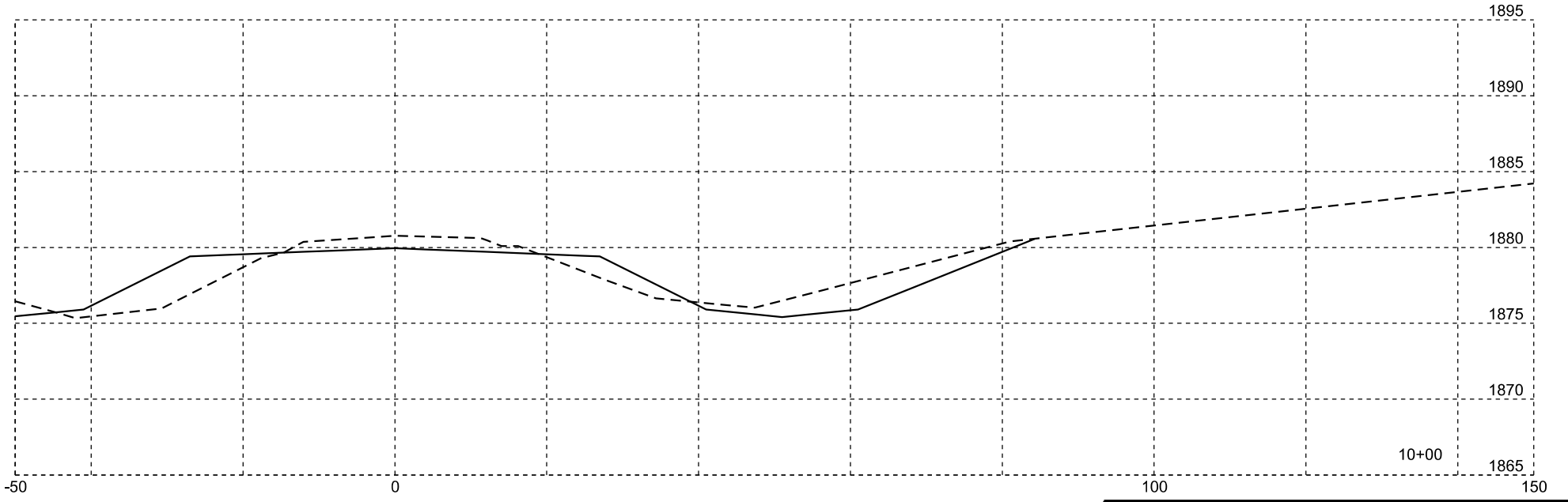
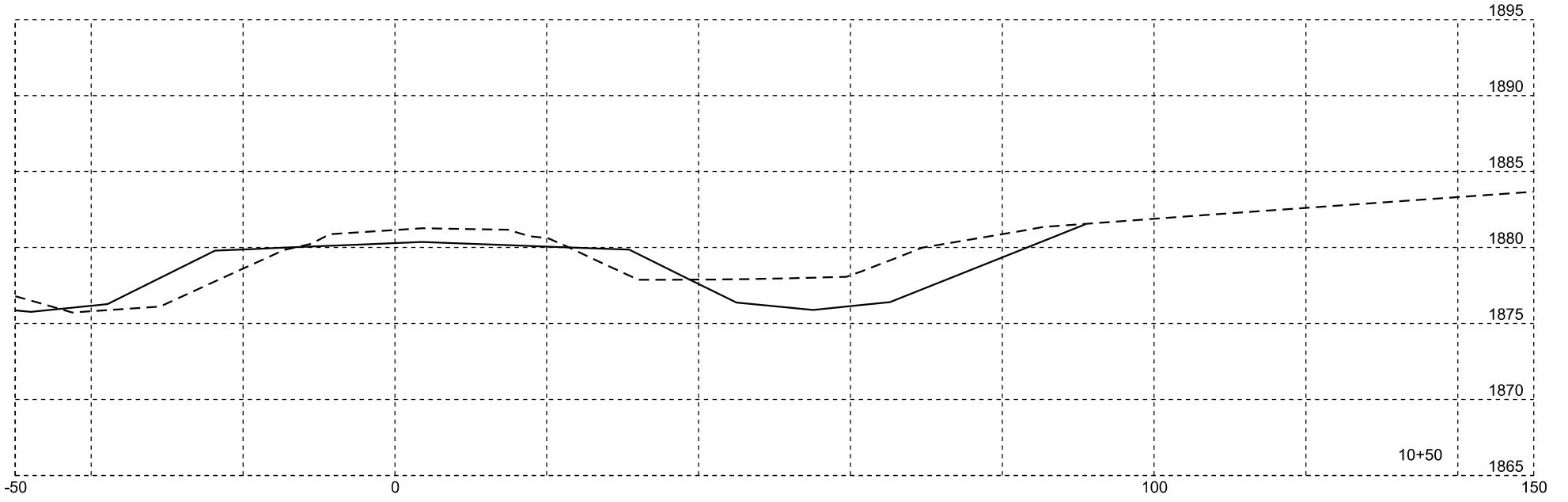
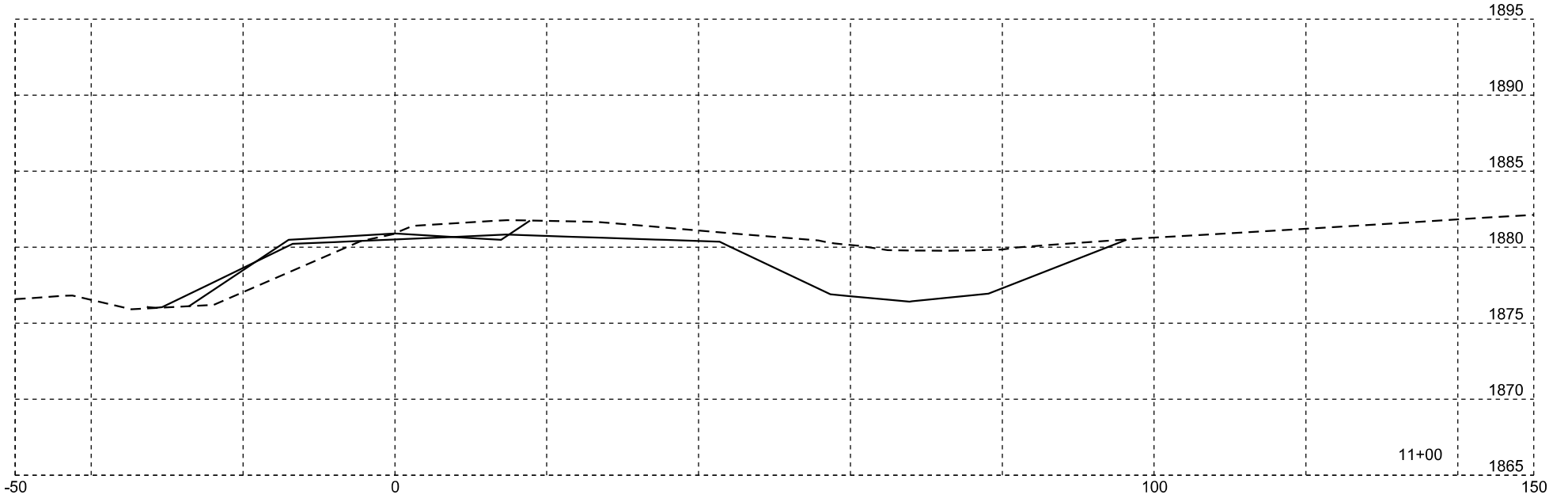
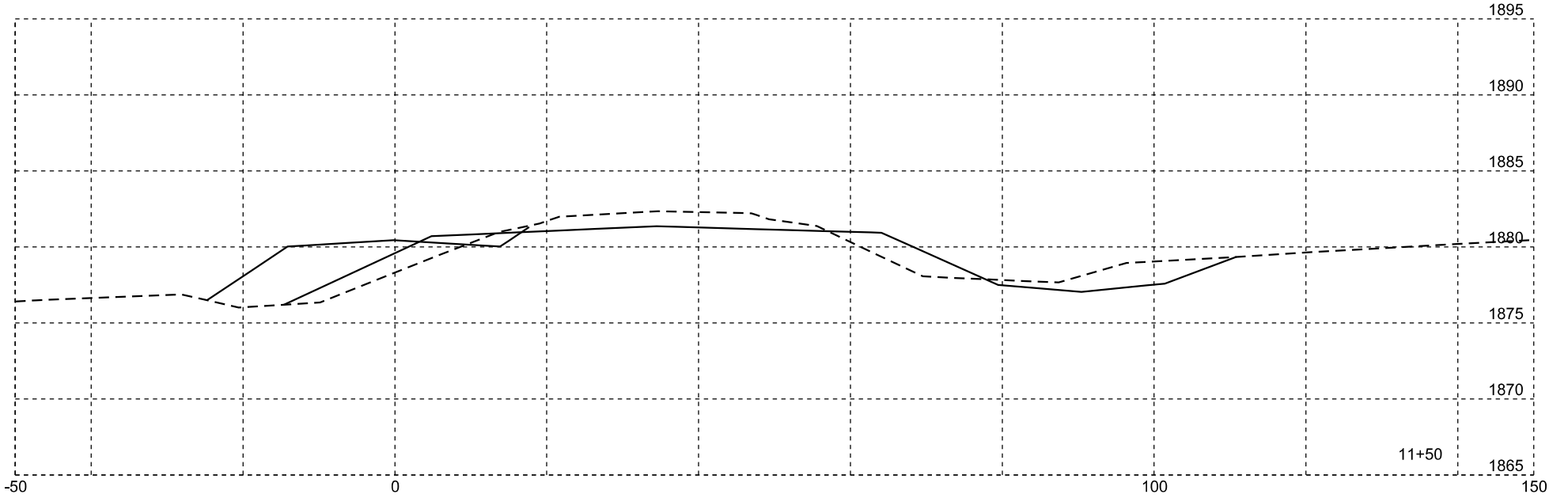
XR16559L



Plotting Date: 10/23/2024

STATE OF SOUTH DAKOTA	PROJECT	SHEET NO.	TOTAL SHEETS
	PH 0028(36)355	X129	X134

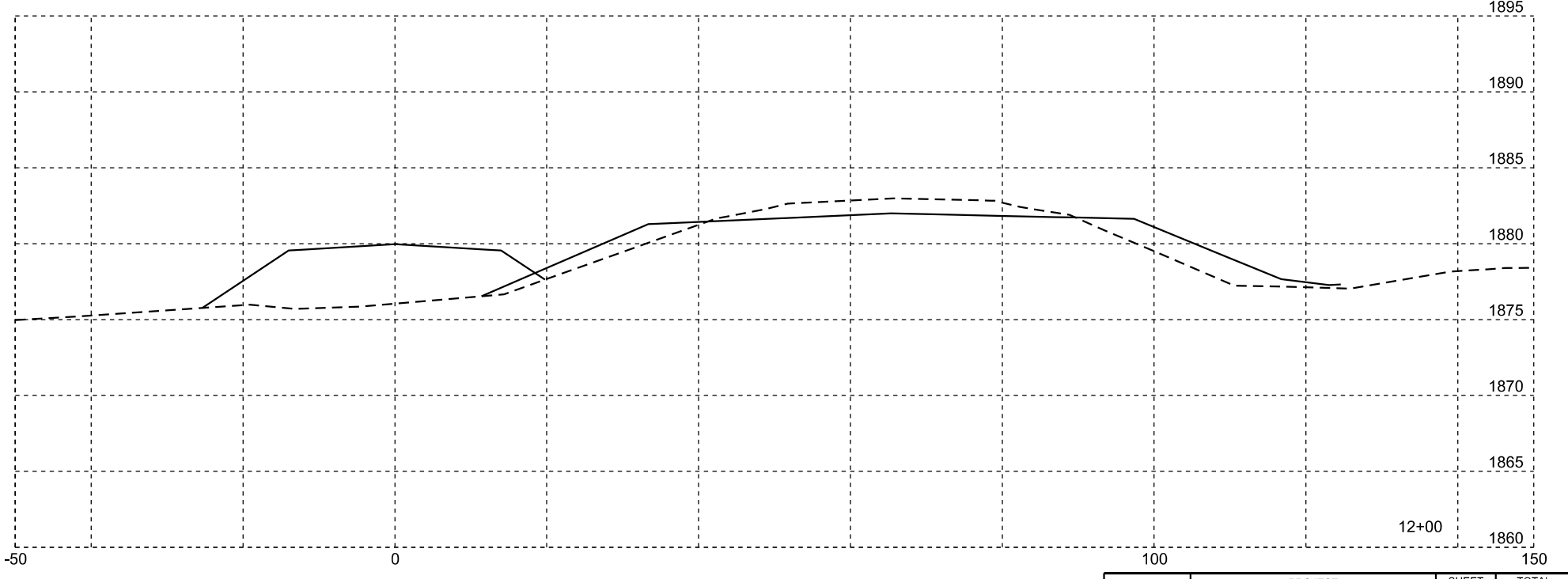
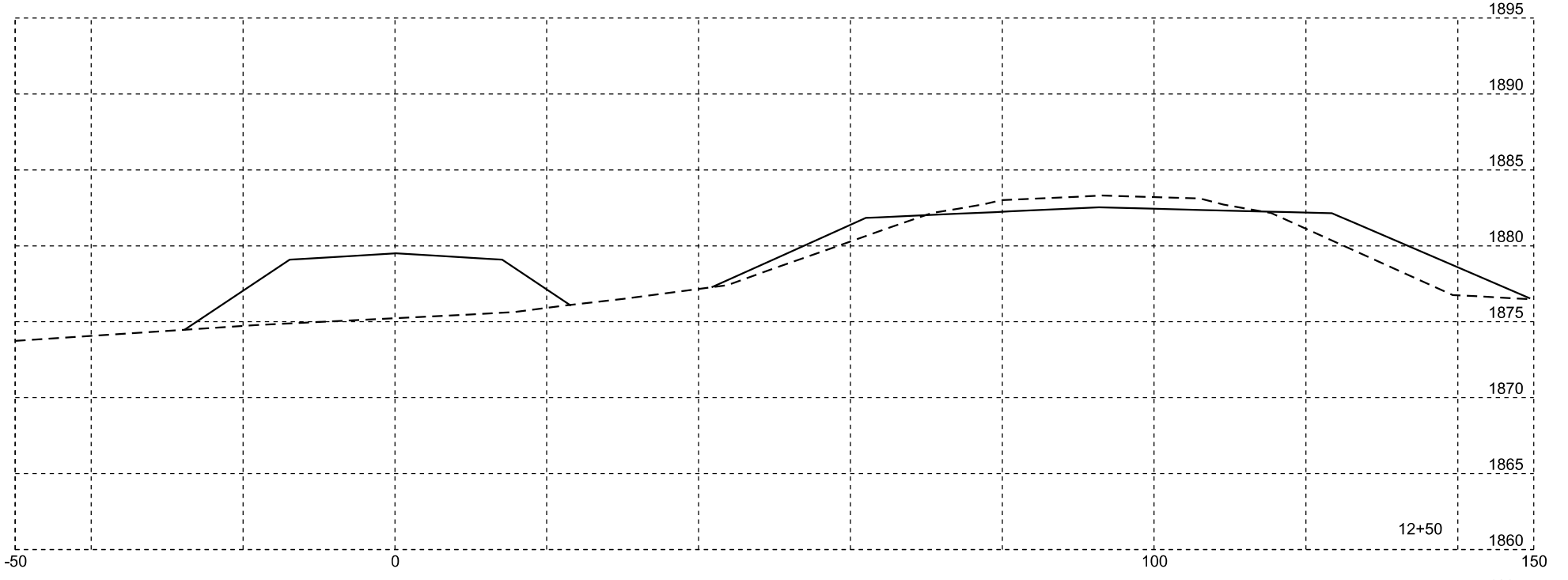
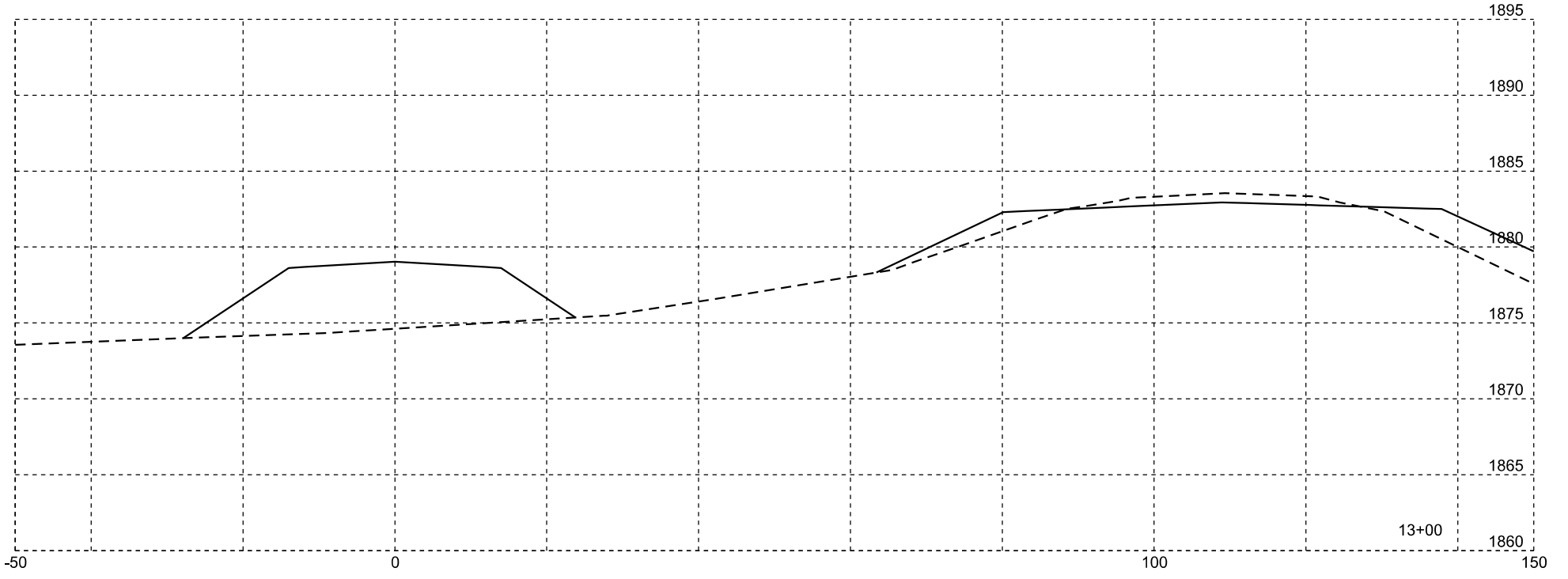
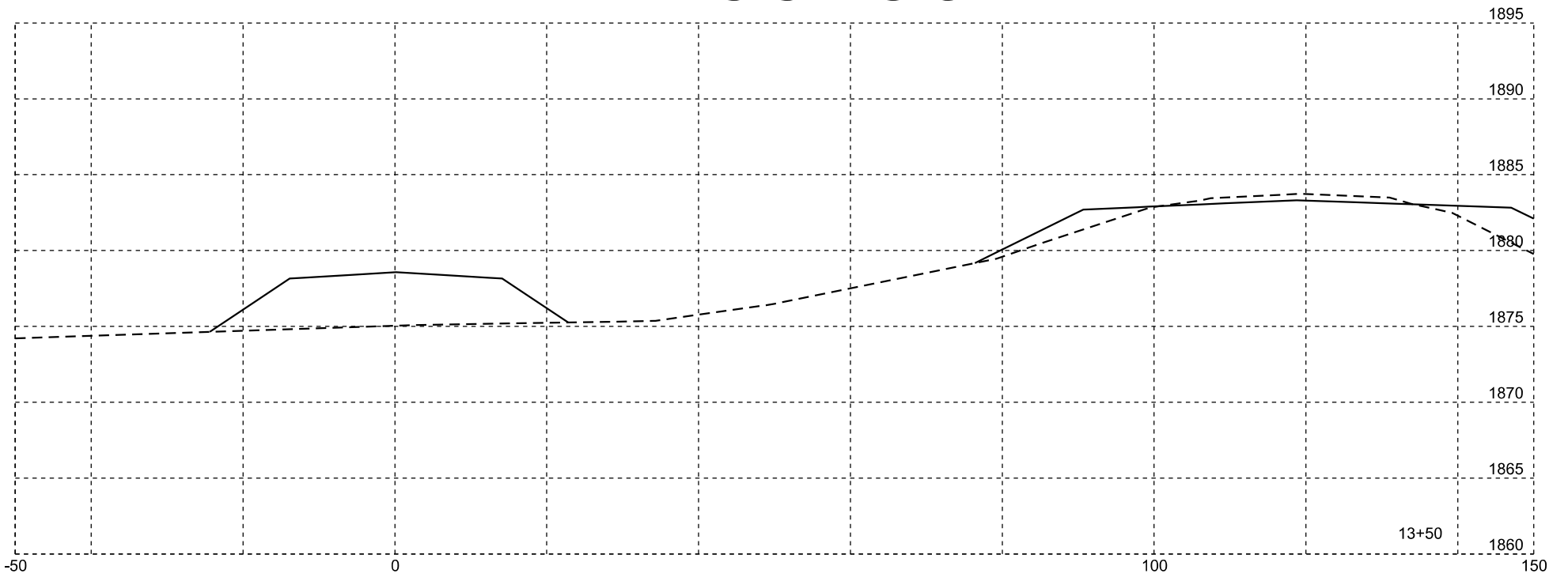
Div55436



Plotting Date: 10/23/2024

STATE OF SOUTH DAKOTA	PROJECT	SHEET NO.	TOTAL SHEETS
	PH 0028(36)355	X130	X134

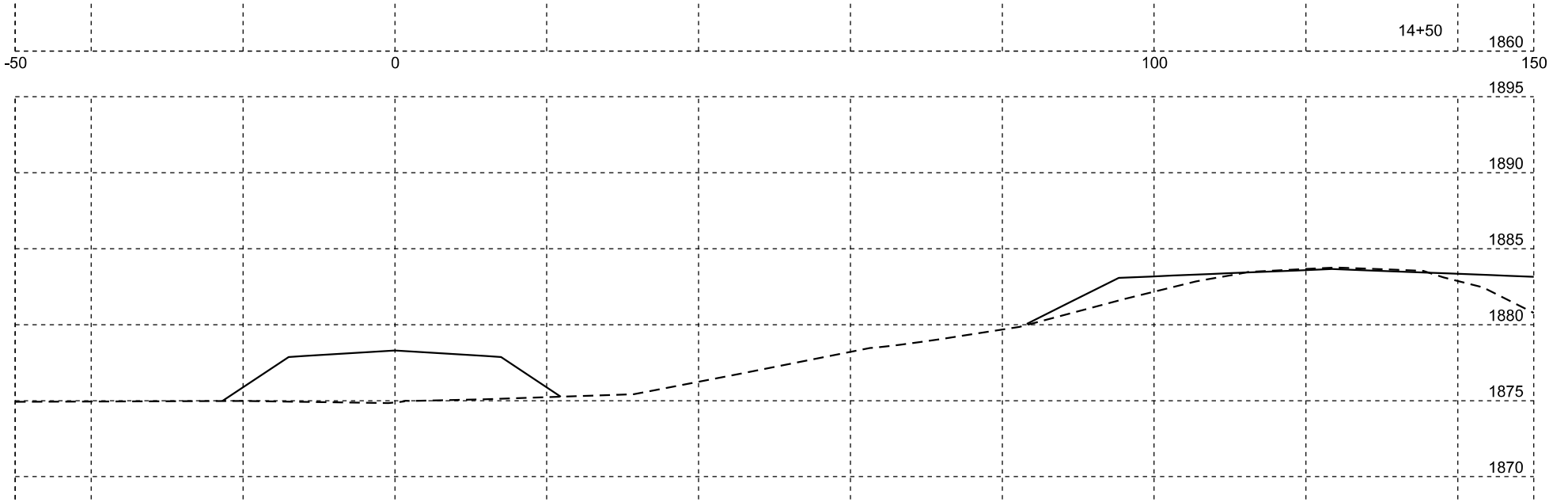
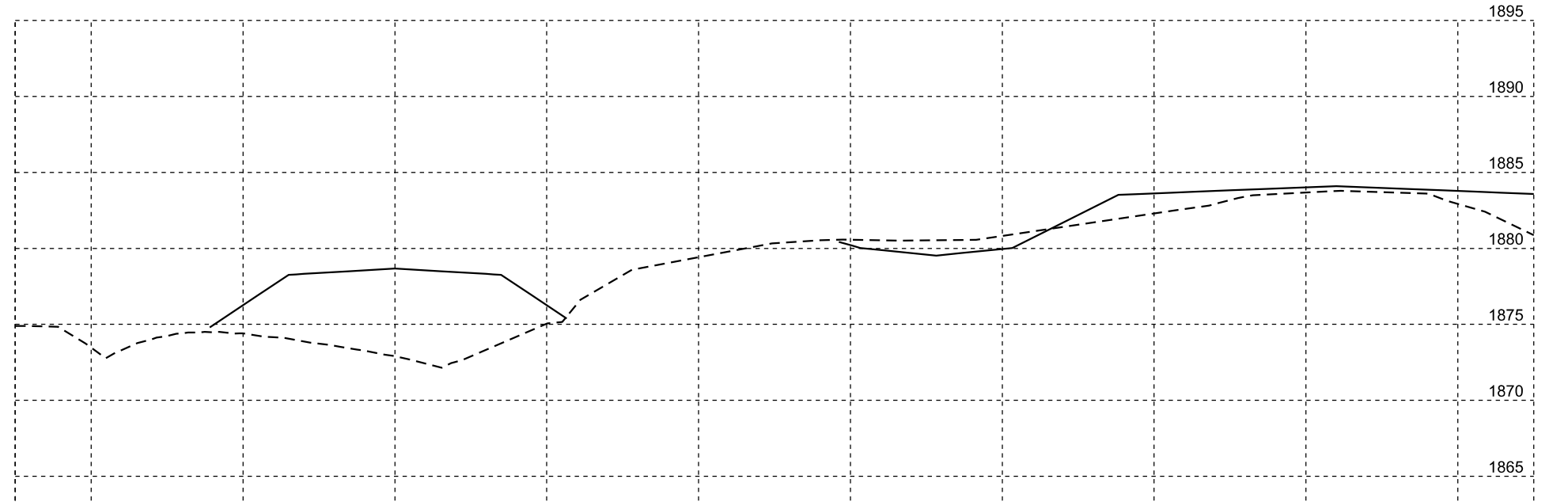
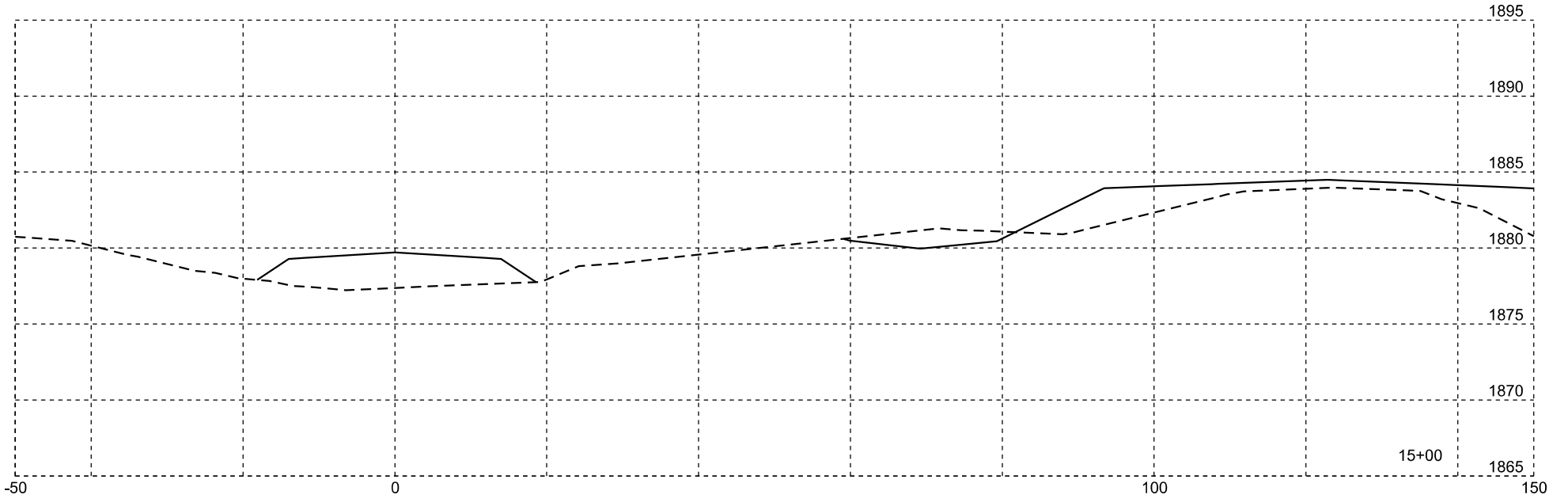
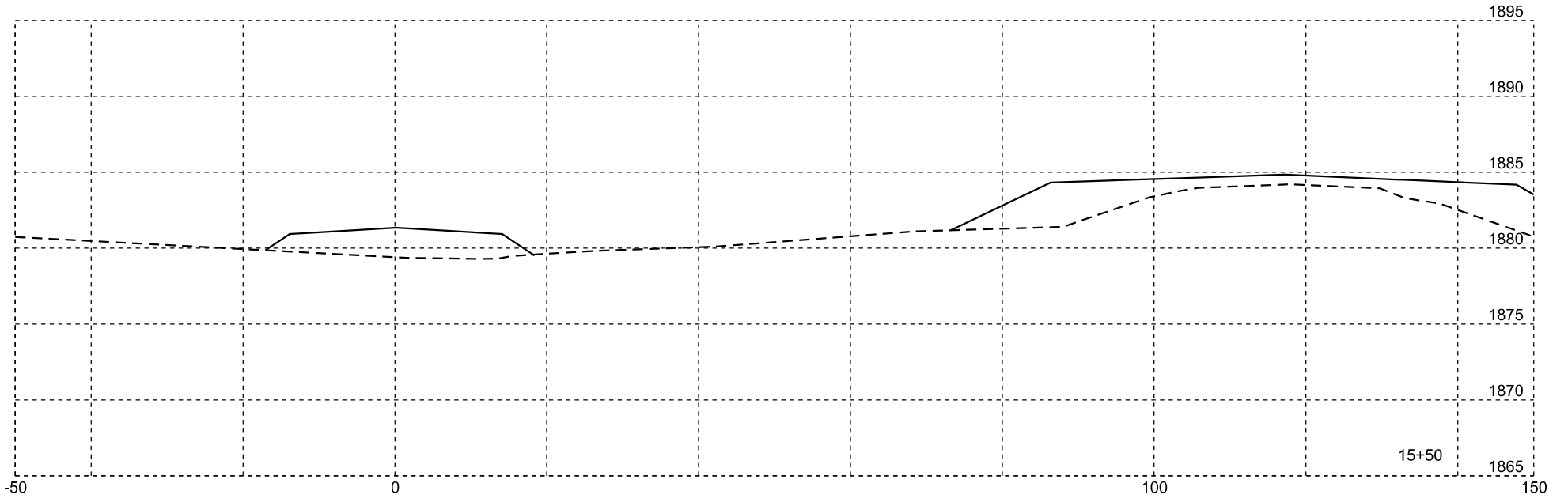
Div55436



Plotting Date: 10/23/2024

STATE OF SOUTH DAKOTA	PROJECT	SHEET NO.	TOTAL SHEETS
	PH 0028(36)355	X131	X134

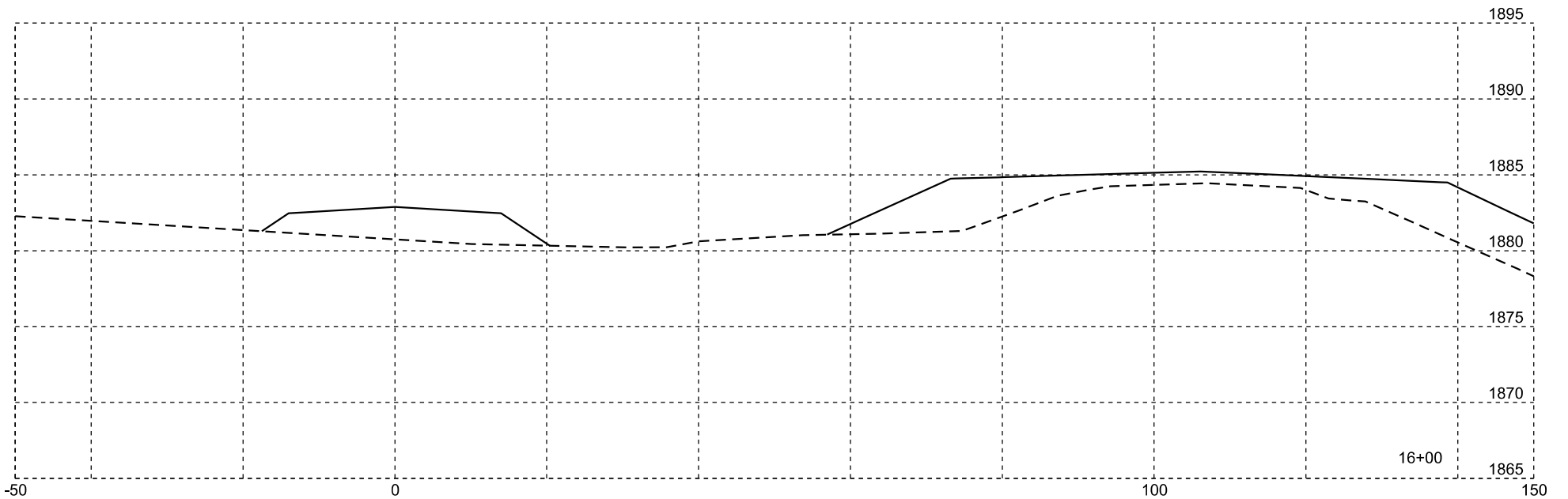
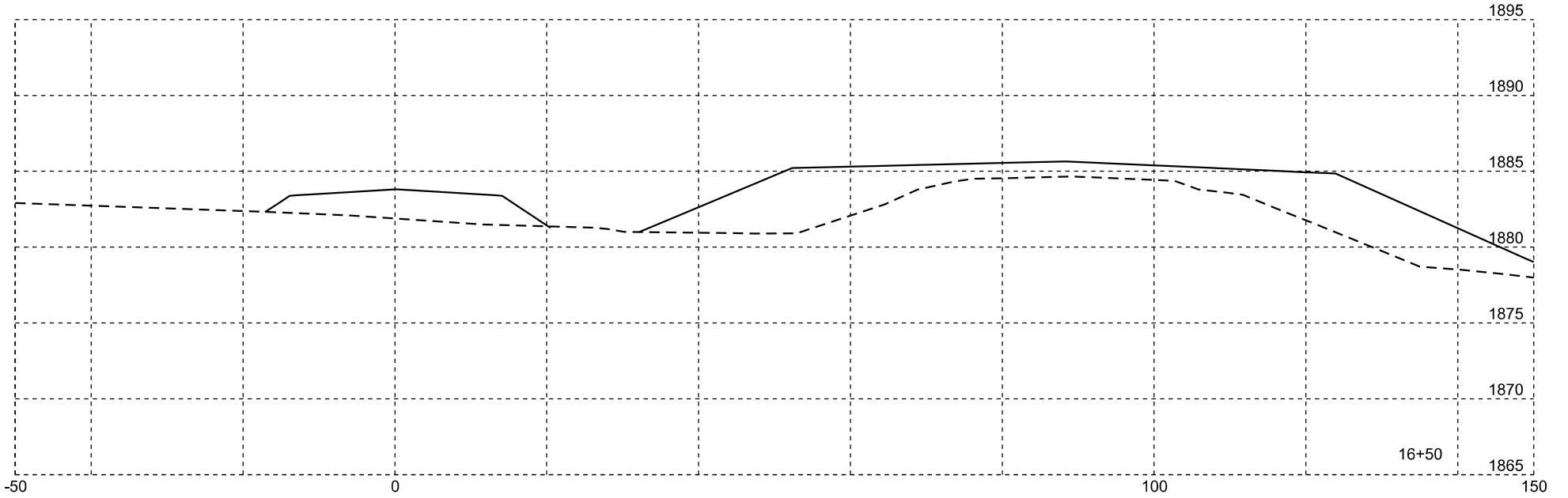
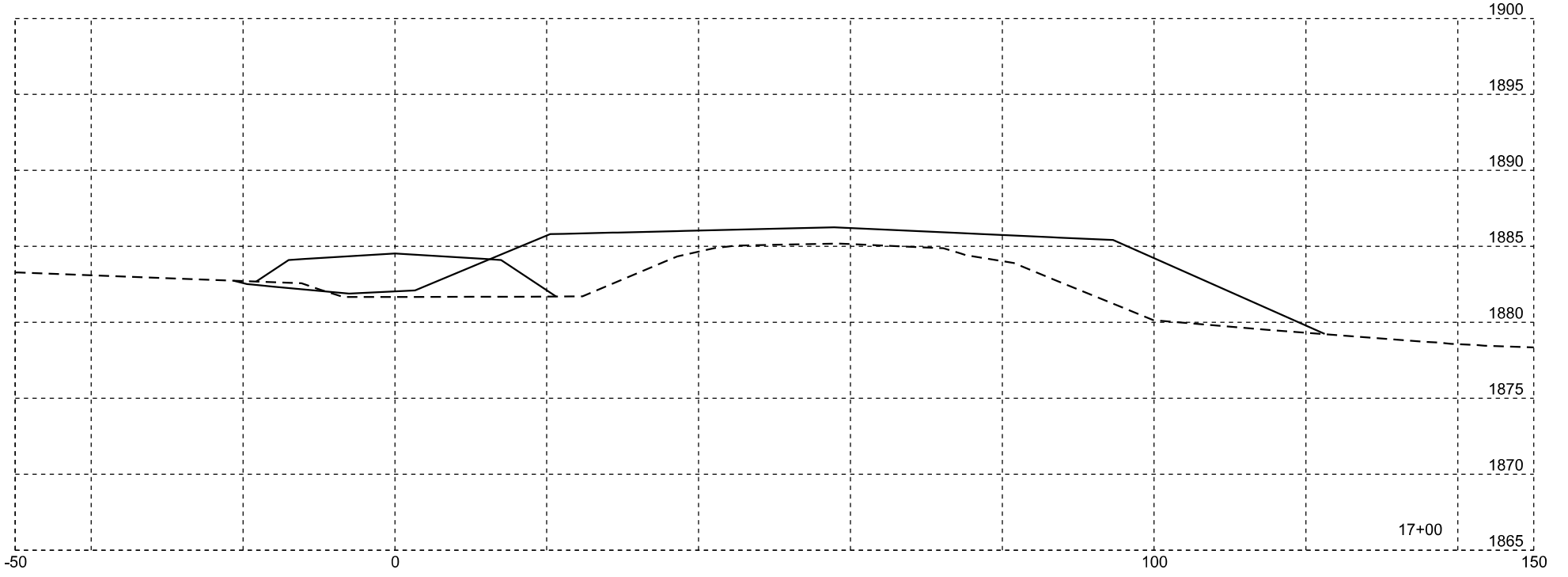
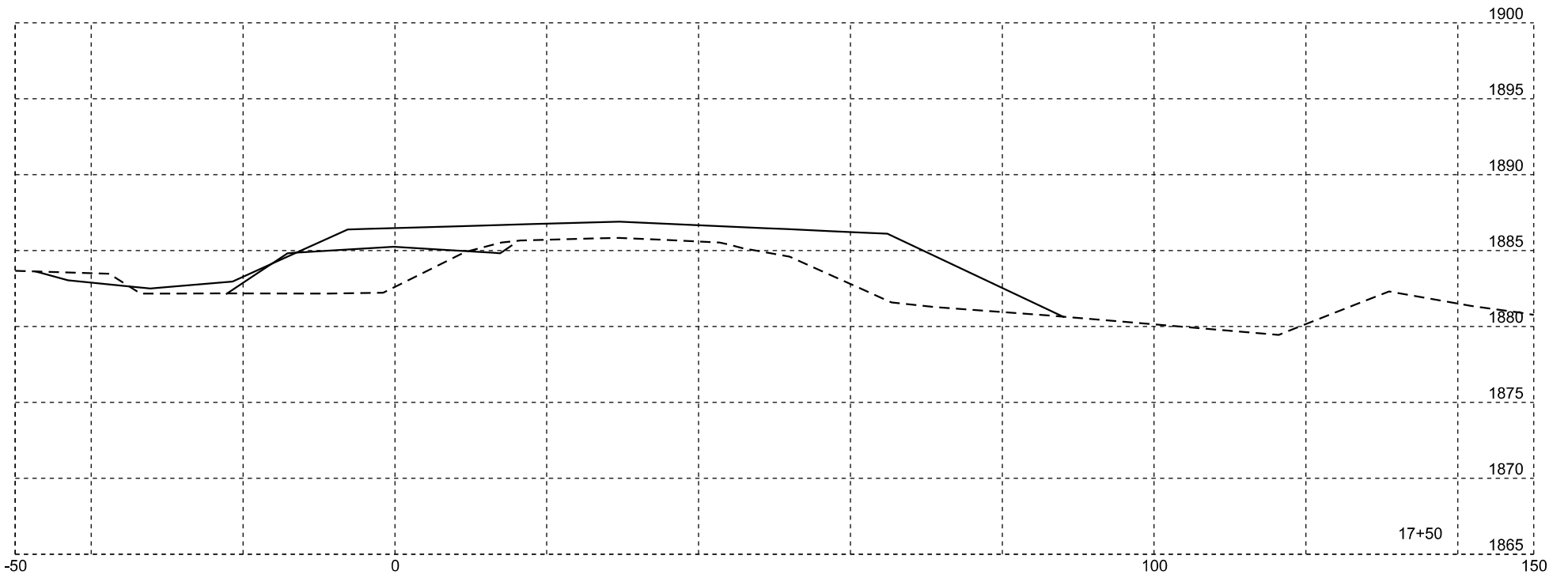
Div55436



Plotting Date: 10/23/2024

STATE OF SOUTH DAKOTA	PROJECT	SHEET NO.	TOTAL SHEETS
	PH 0028(36)355	X132	X134

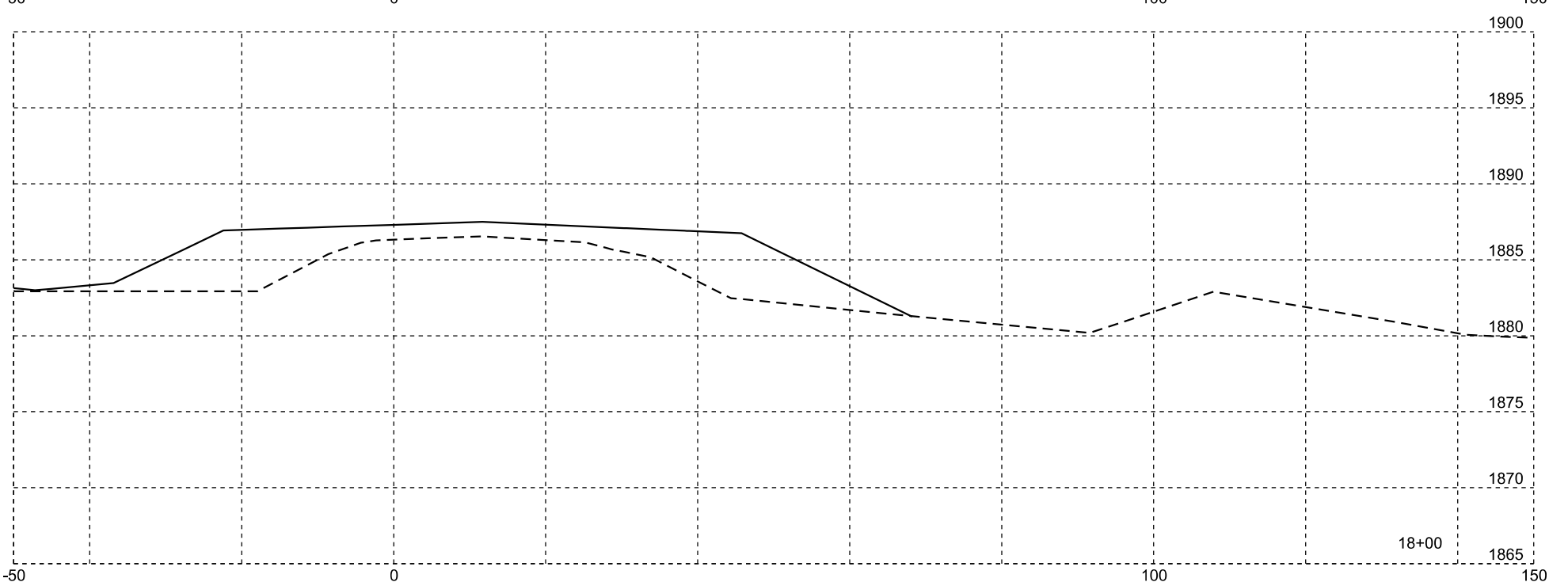
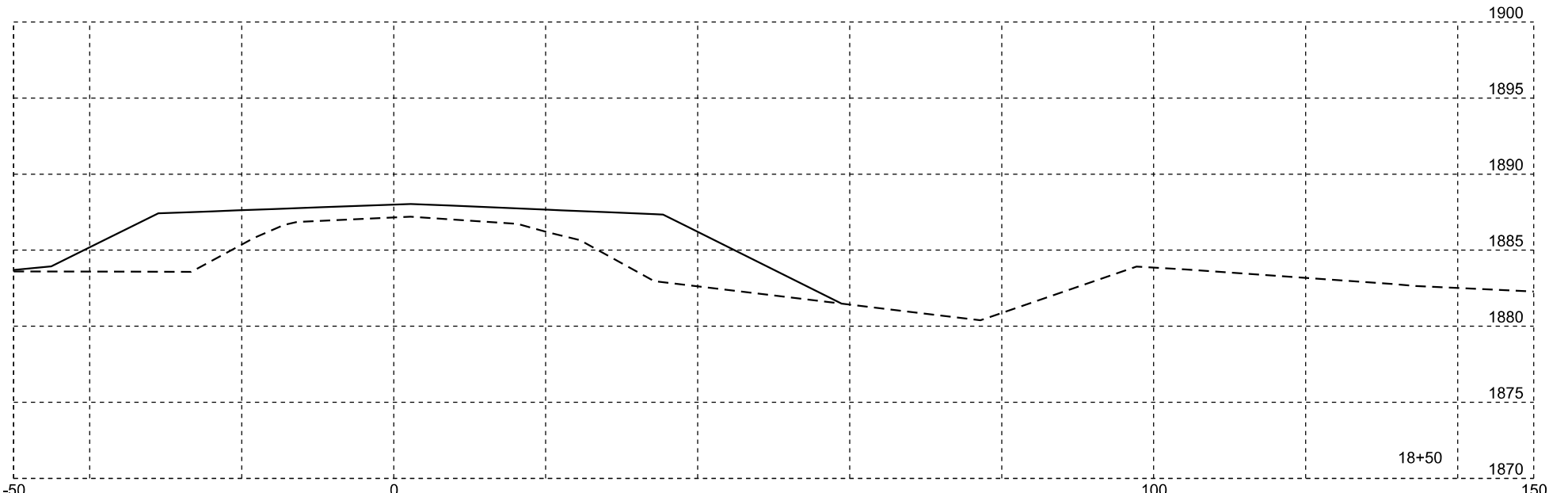
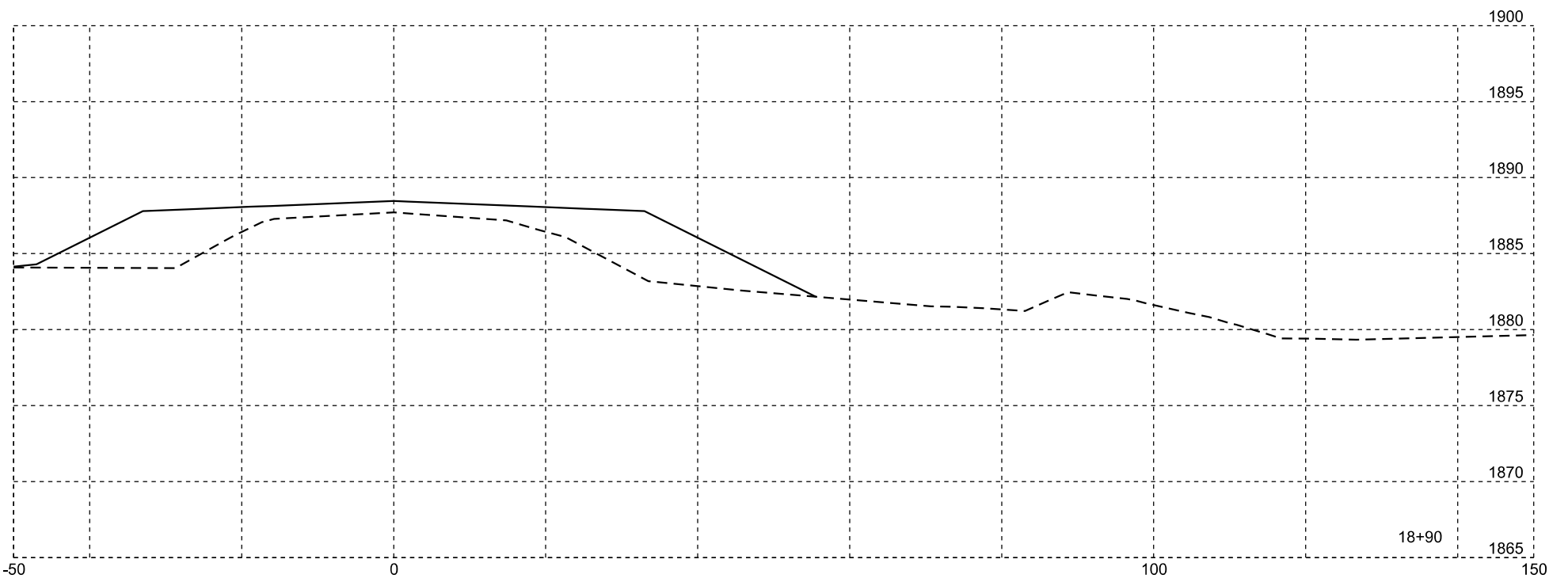
Div55436



Plotting Date: 10/23/2024

STATE OF SOUTH DAKOTA	PROJECT	SHEET NO.	TOTAL SHEETS
	PH 0028(36)355	X133	X134

Div55436



Plotting Date: 10/23/2024

STATE OF SOUTH DAKOTA	PROJECT	SHEET NO.	TOTAL SHEETS
	PH 0028(36)355	X134	X134