

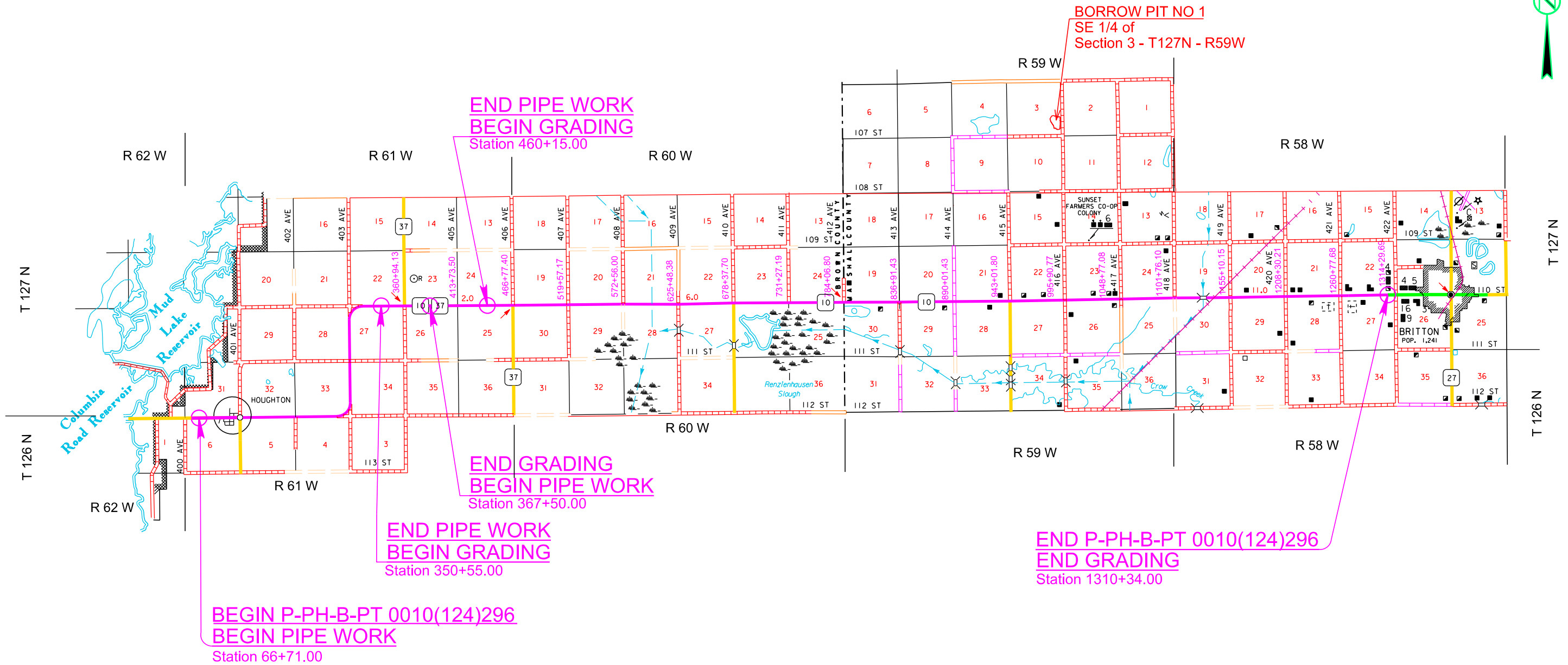
SECTION Z: PIPE SECTIONS

STATE OF SOUTH DAKOTA	PROJECT	SHEET	TOTAL SHEETS
	P-PH-B-PT 0010(124)296	Z1	Z33

Plotting Date: 08/23/2023

INDEX OF SHEETS

- Z1 General Layout with Index
- Z2-Z25 Mainline Pipe Sections
- Z26-Z33 Approach Pipe Sections

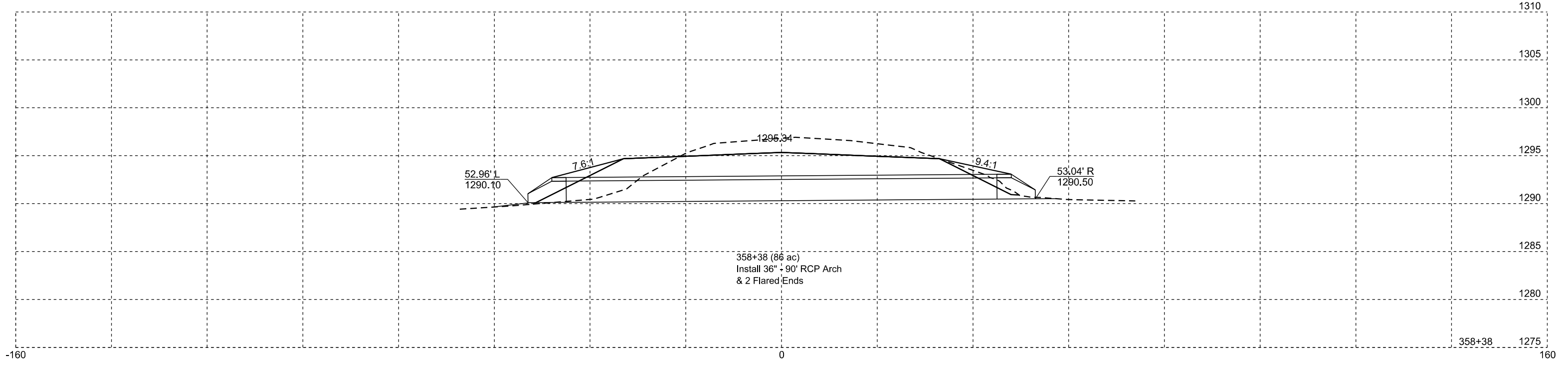
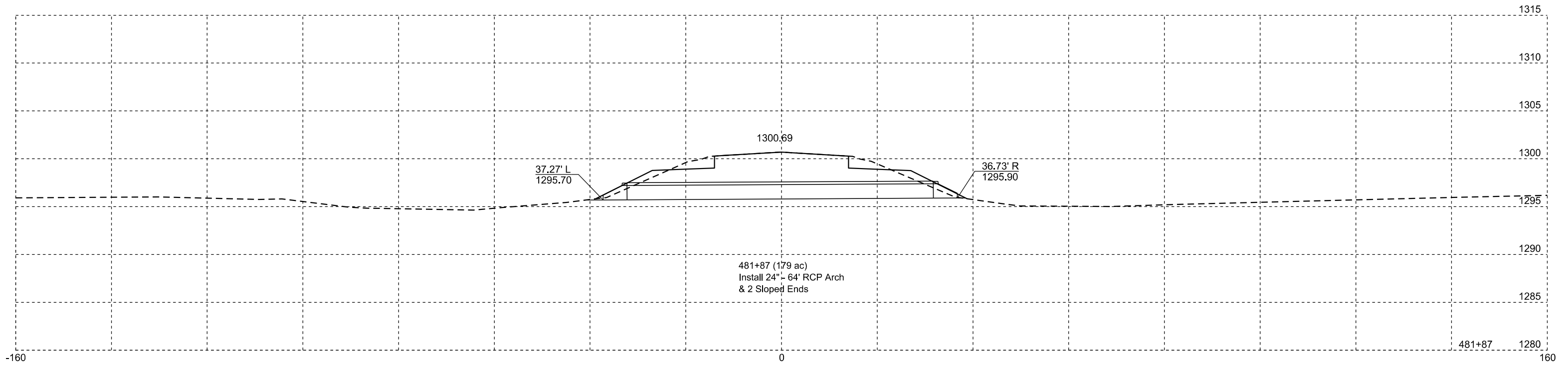


Plot Scale - 1:200

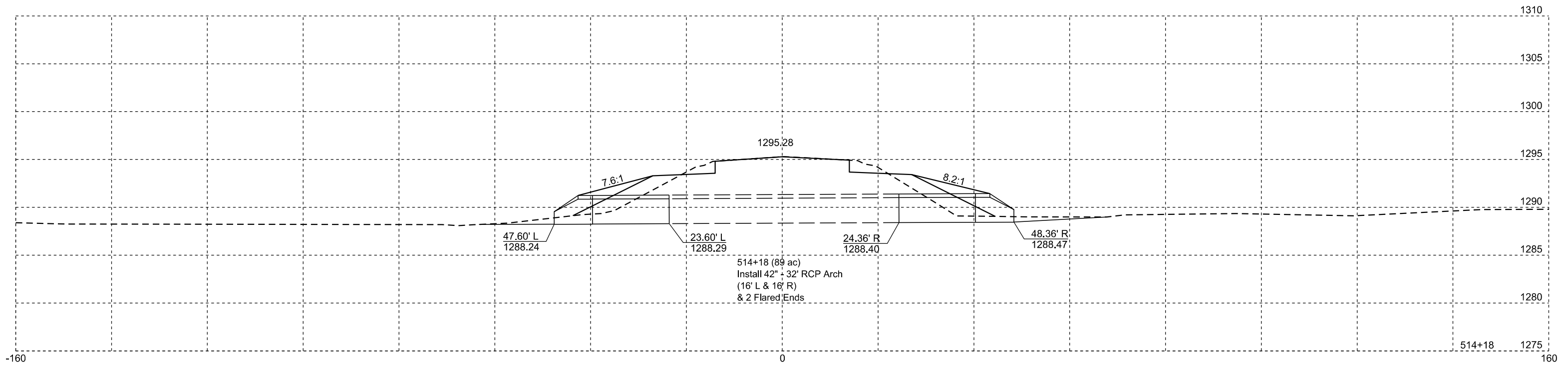
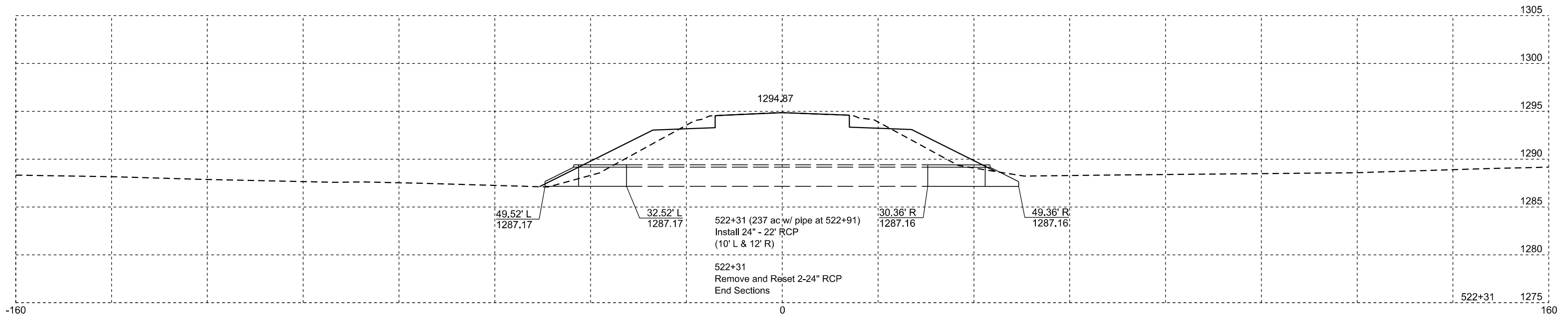
Plotted From - TRPR17189

File - U:\trp\jbrwn\05FAT\filez.dgn

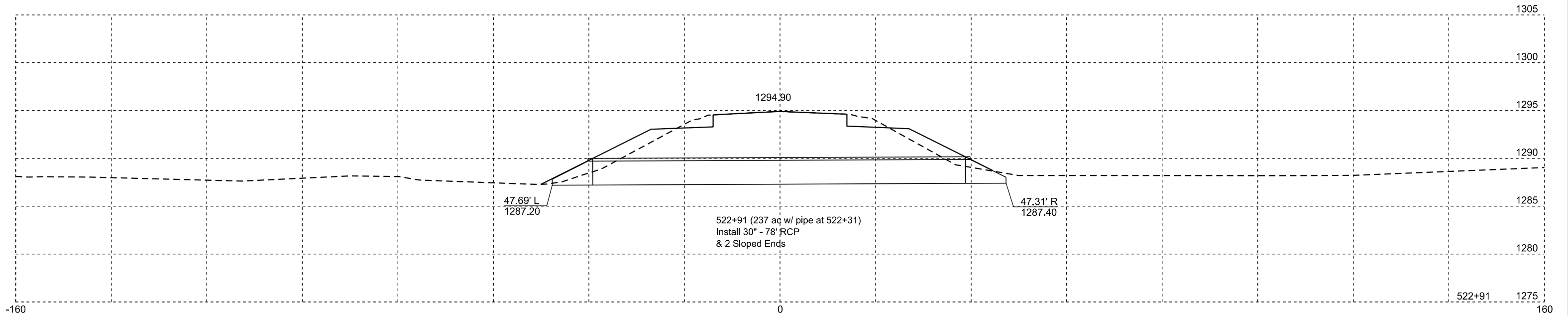
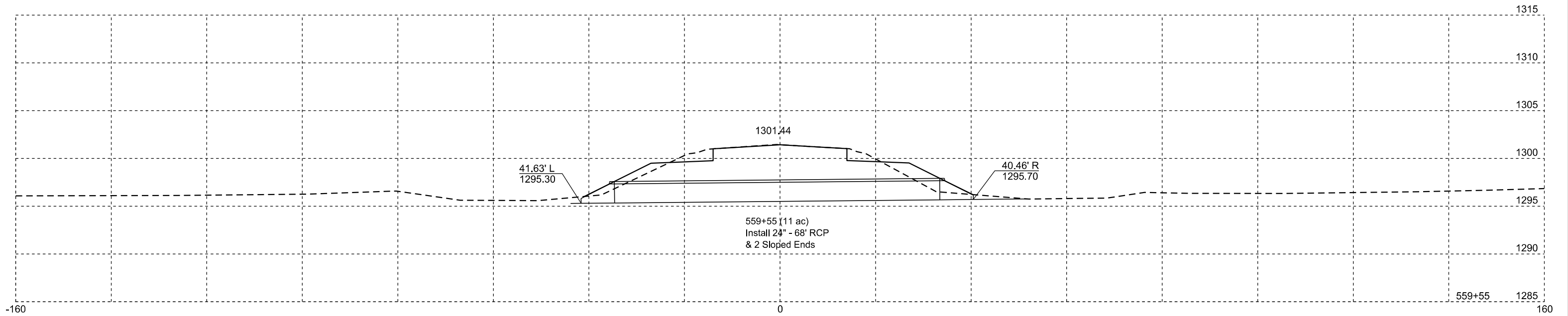
STATE OF SOUTH DAKOTA	PROJECT	SHEET	TOTAL SHEETS
	P-PH-B-PT 0010(124)296	Z2	Z33



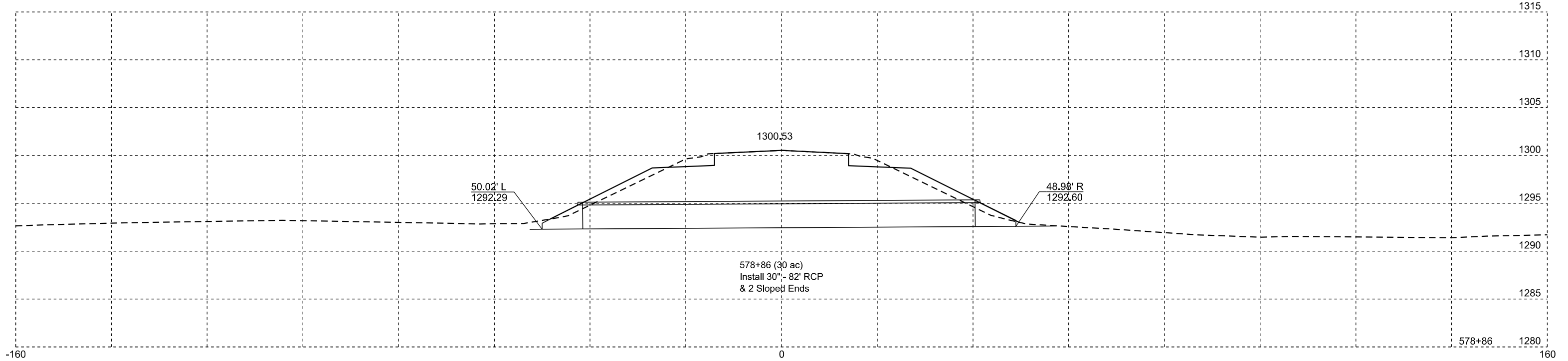
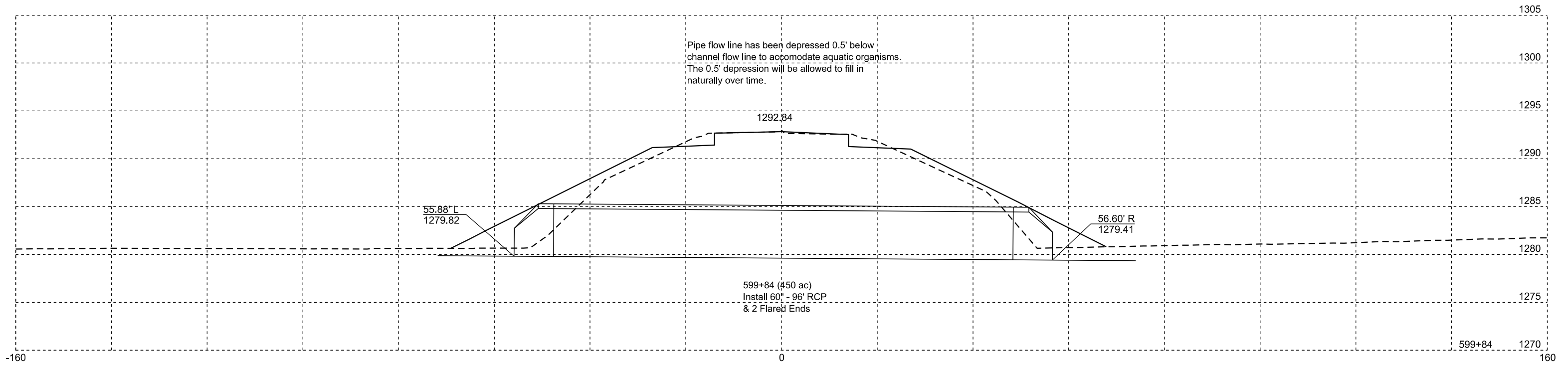
STATE OF SOUTH DAKOTA	PROJECT	SHEET	TOTAL SHEETS
	P-PH-B-PT 0010(124)296	Z3	Z33



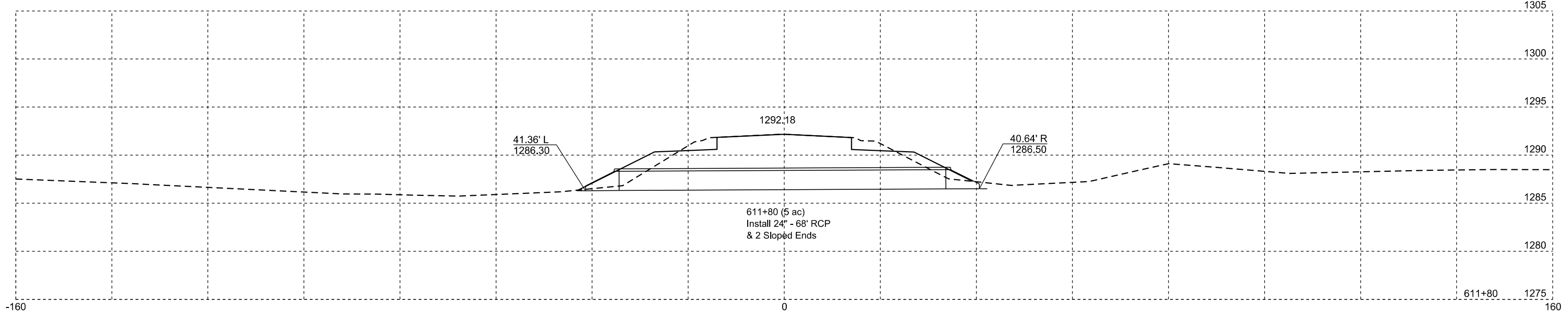
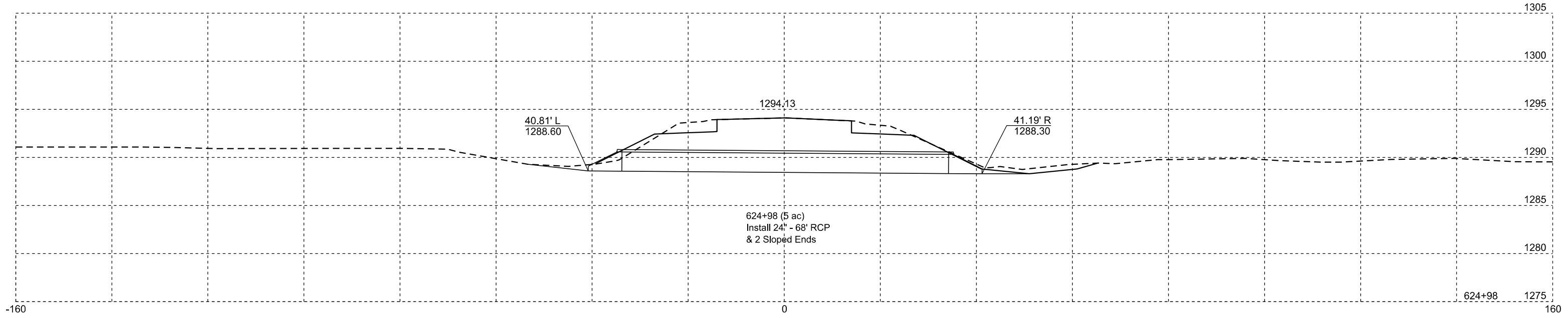
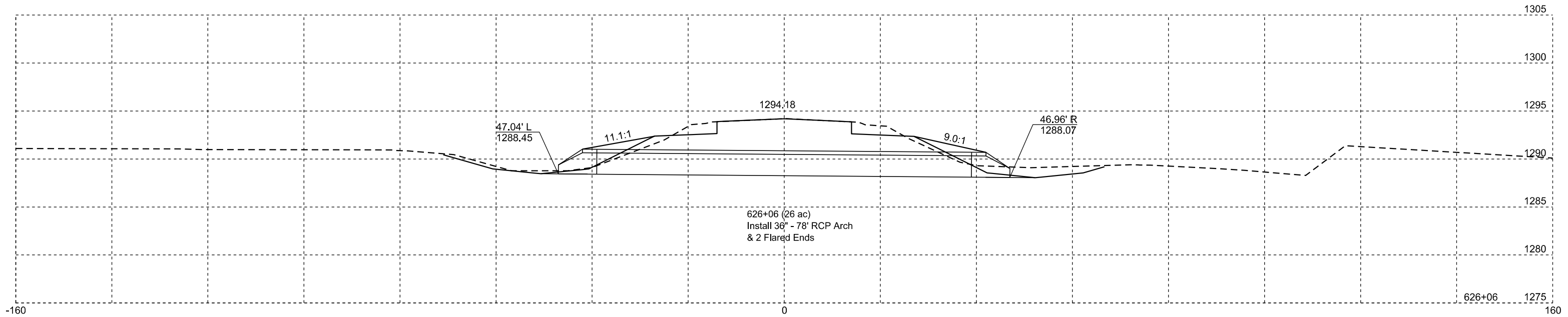
STATE OF SOUTH DAKOTA	PROJECT	SHEET	TOTAL SHEETS
	P-PH-B-PT 0010(124)296	Z4	Z33



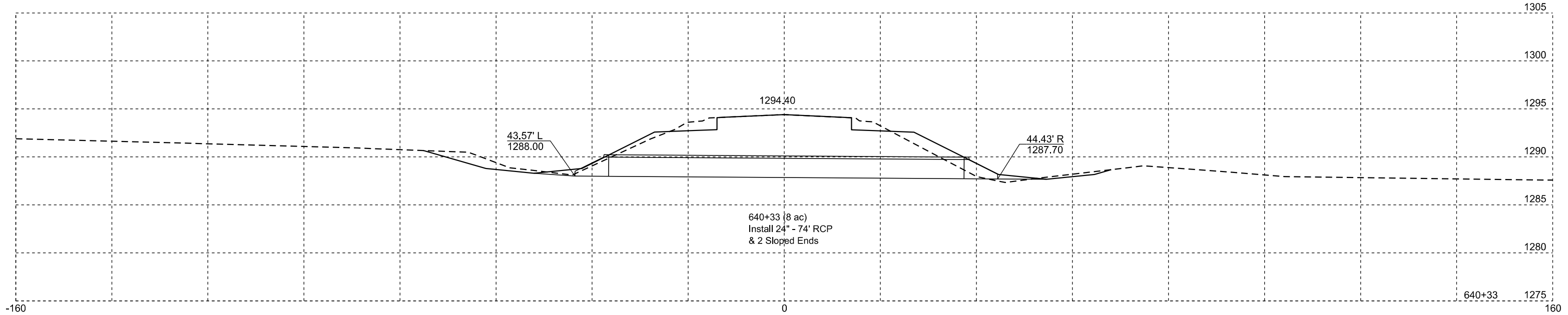
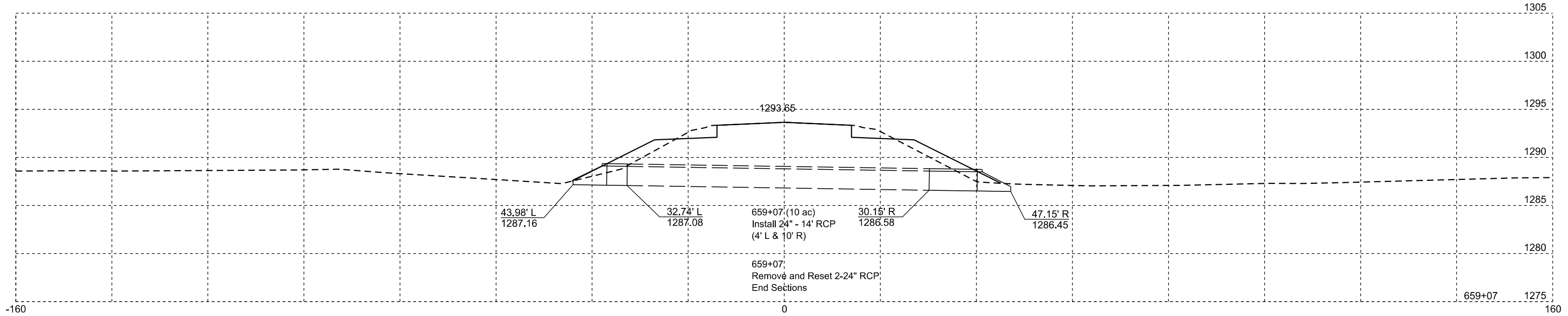
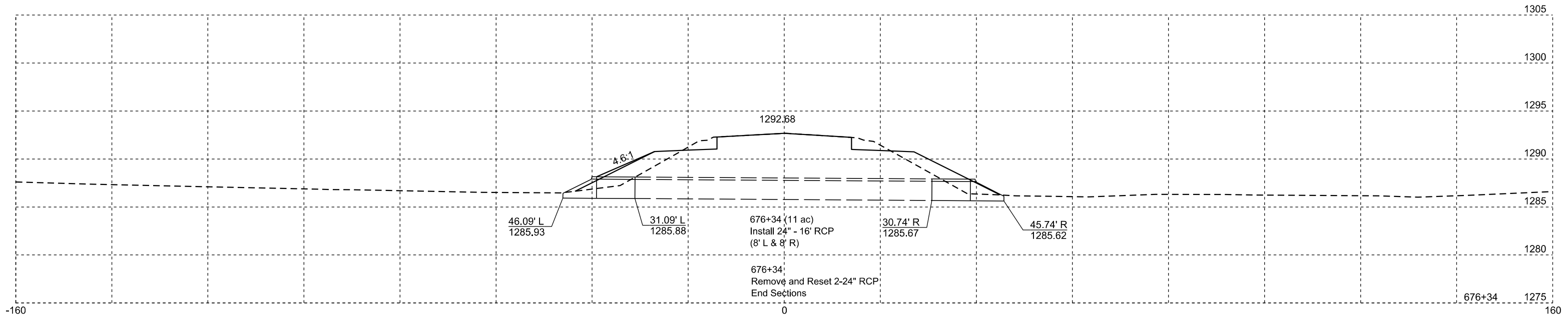
STATE OF SOUTH DAKOTA	PROJECT	SHEET	TOTAL SHEETS
	P-PH-B-PT 0010(124)296	Z5	Z33



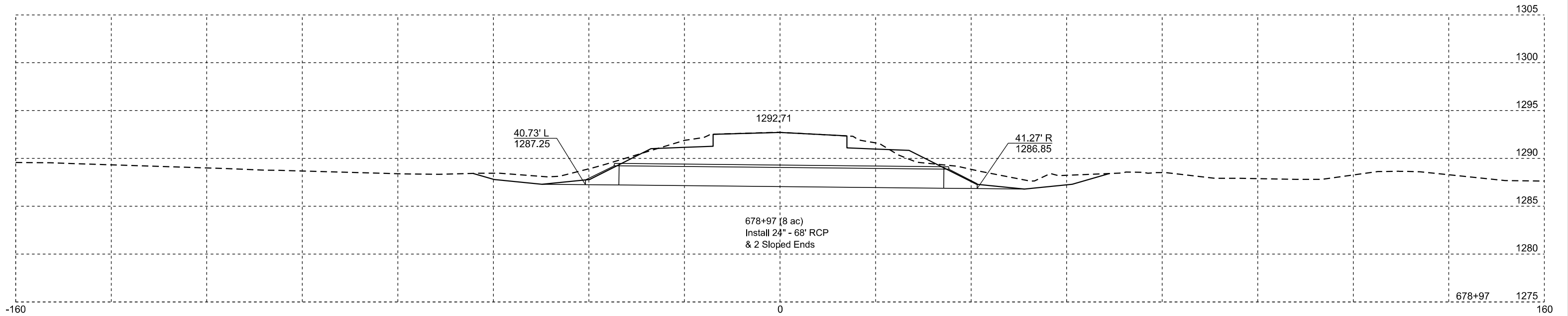
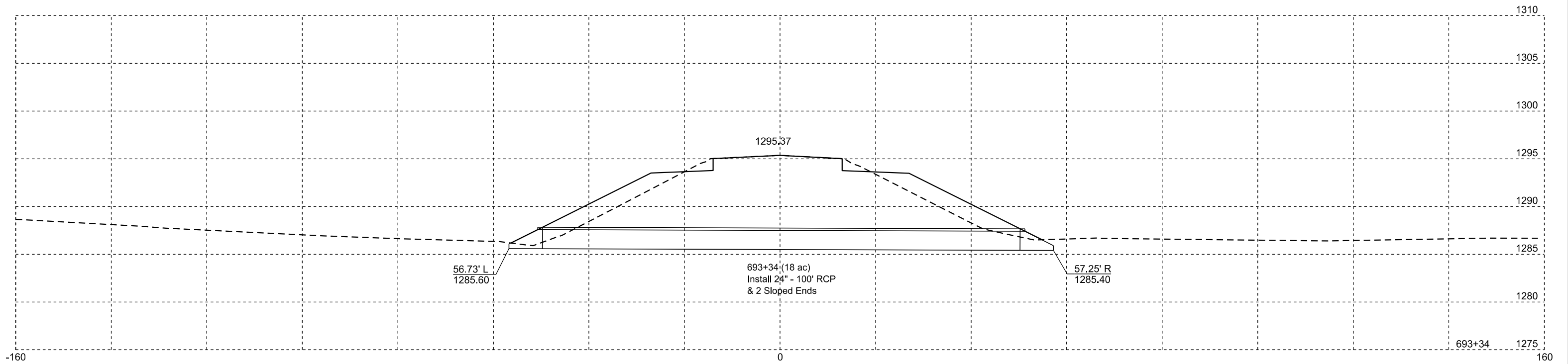
STATE OF SOUTH DAKOTA	PROJECT	SHEET	TOTAL SHEETS
	P-PH-B-PT 0010(124)296	Z6	Z33



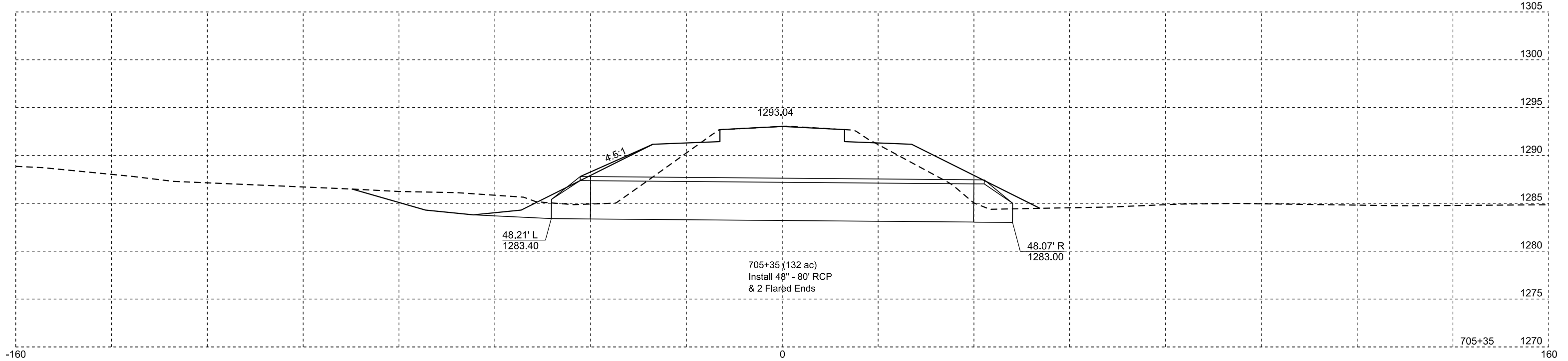
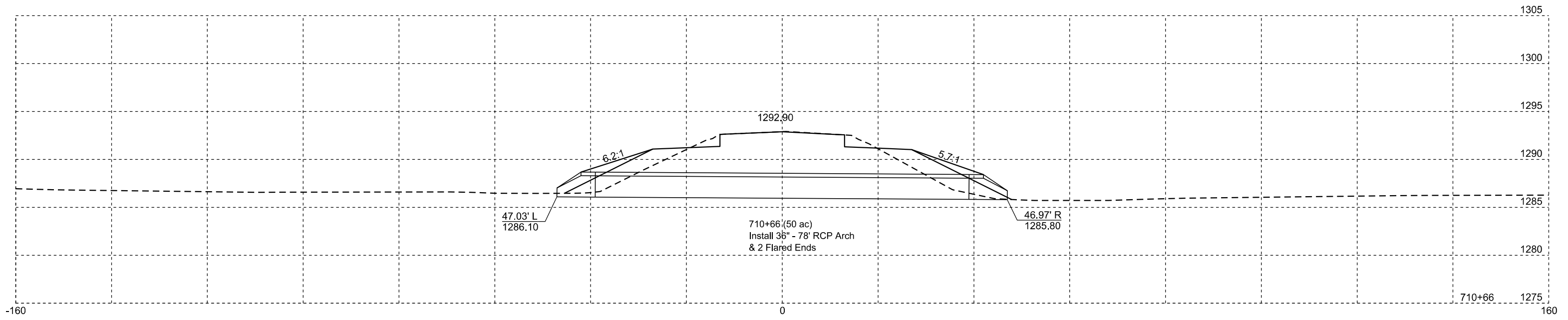
STATE OF SOUTH DAKOTA	PROJECT	SHEET	TOTAL SHEETS
	P-PH-B-PT 0010(124)296	Z7	Z33



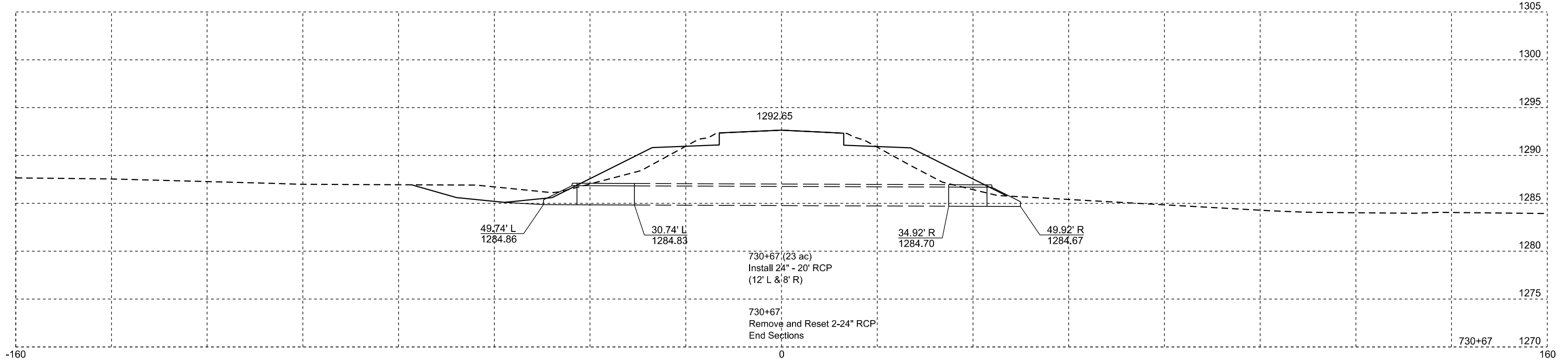
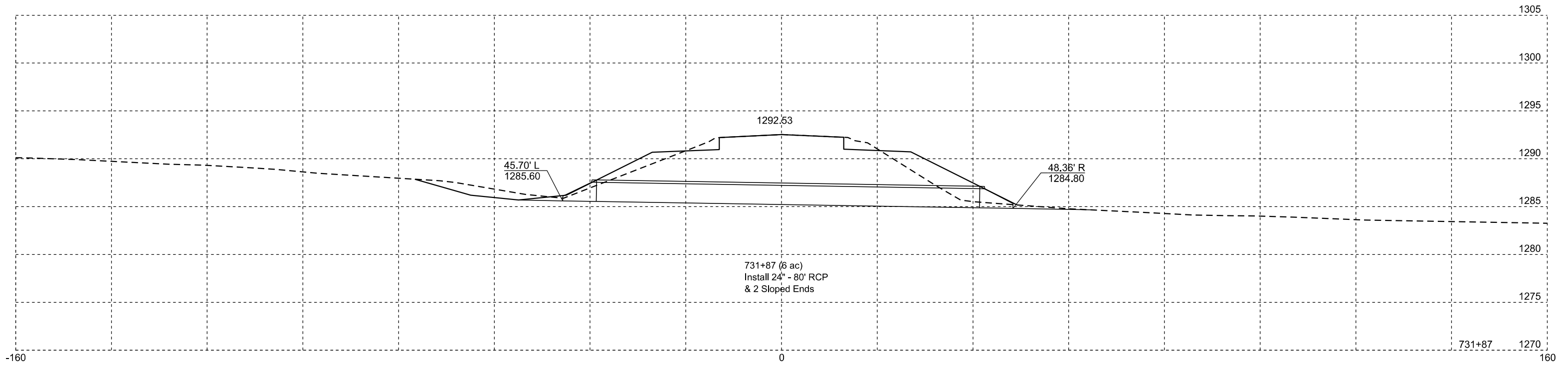
STATE OF SOUTH DAKOTA	PROJECT	SHEET	TOTAL SHEETS
	P-PH-B-PT 0010(124)296	Z8	Z33



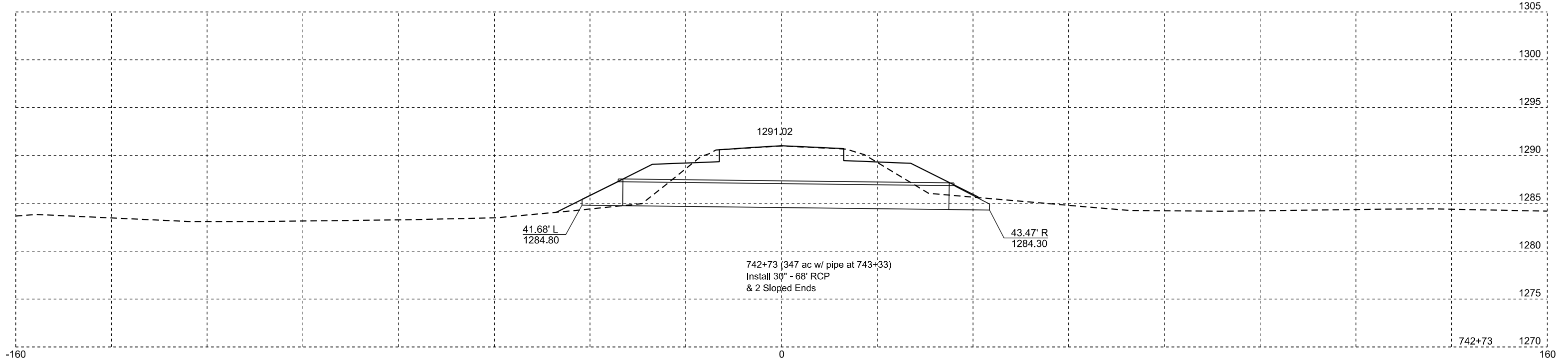
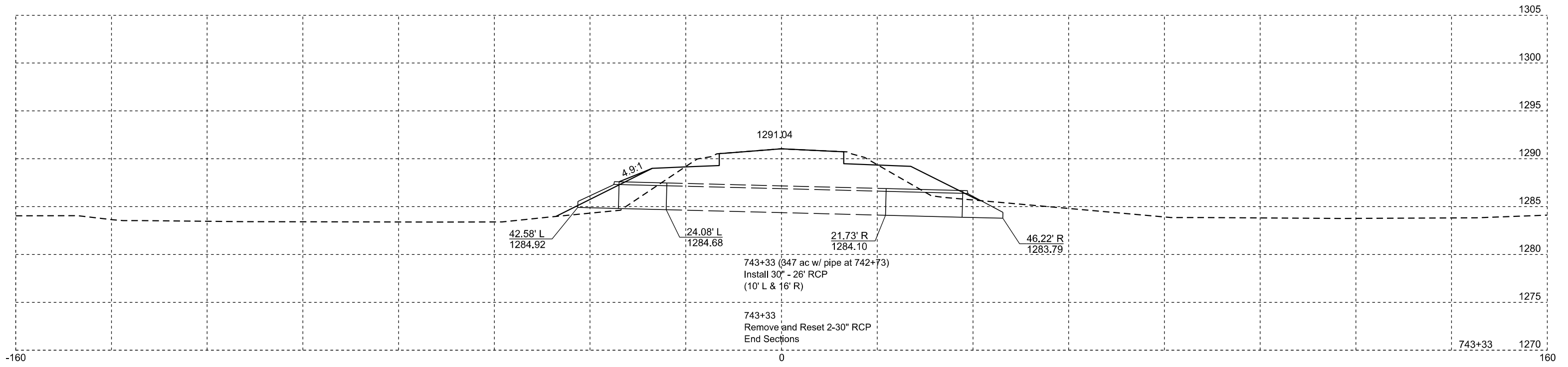
STATE OF SOUTH DAKOTA	PROJECT	SHEET	TOTAL SHEETS
	P-PH-B-PT 0010(124)296	Z9	Z33



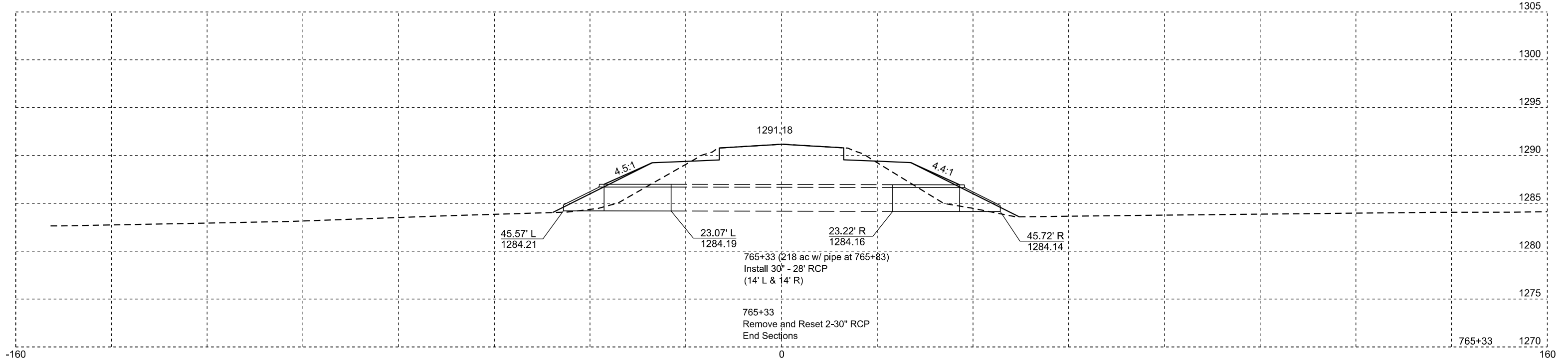
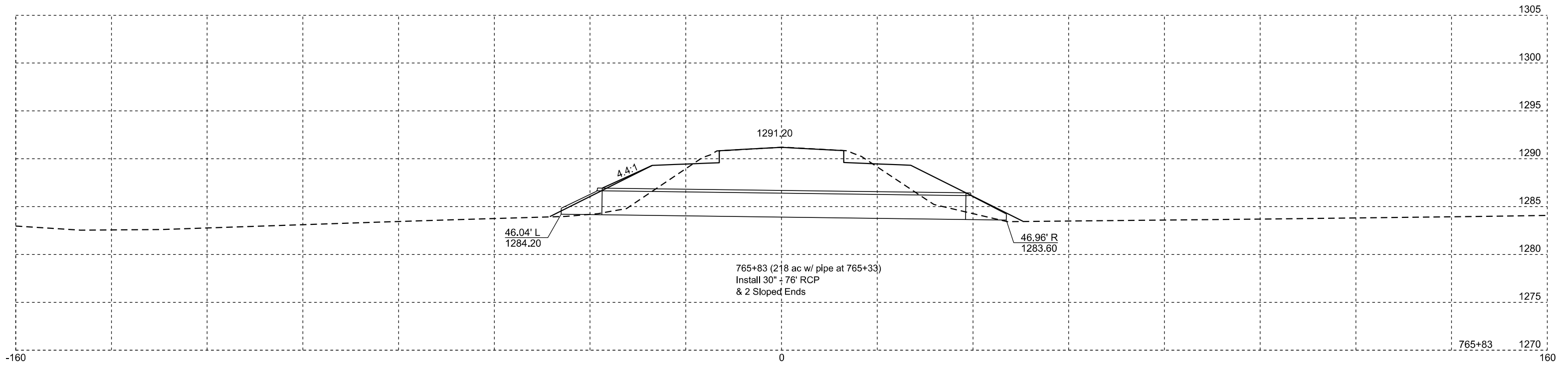
STATE OF SOUTH DAKOTA	PROJECT	SHEET	TOTAL SHEETS
	P-PH-B-PT 0010(124)296	Z10	Z33



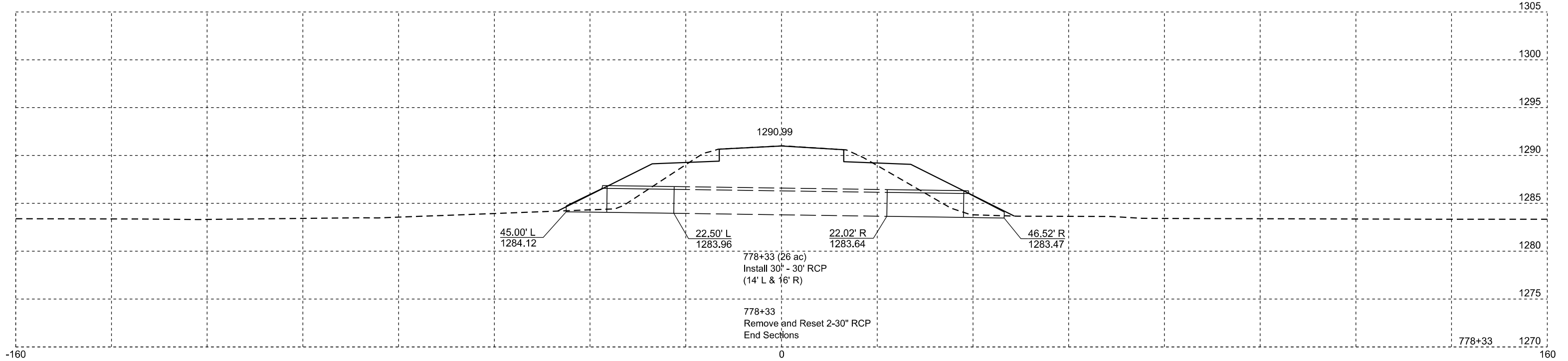
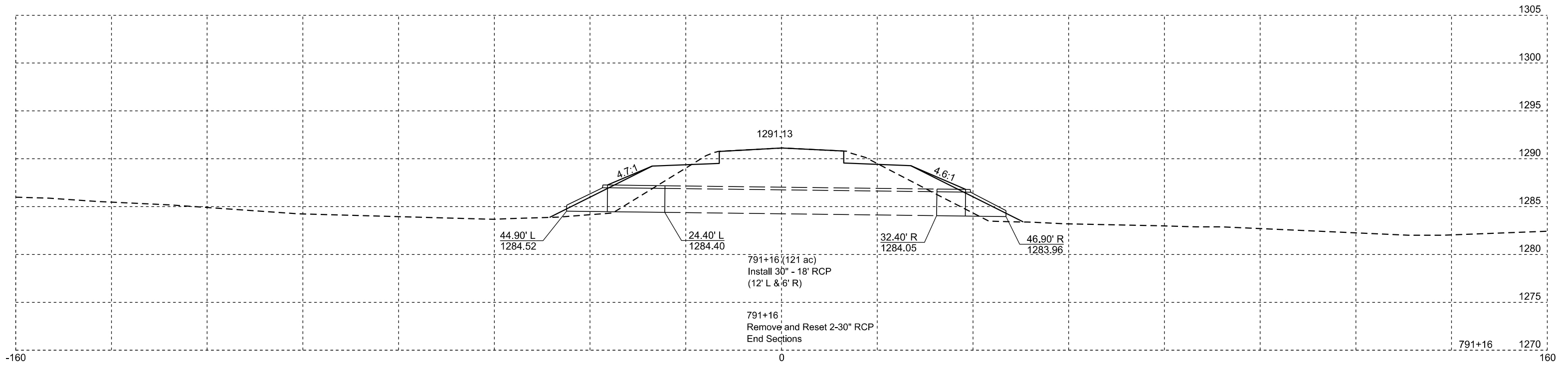
STATE OF SOUTH DAKOTA	PROJECT	SHEET	TOTAL SHEETS
	P-PH-B-PT 0010(124)296	Z11	Z33



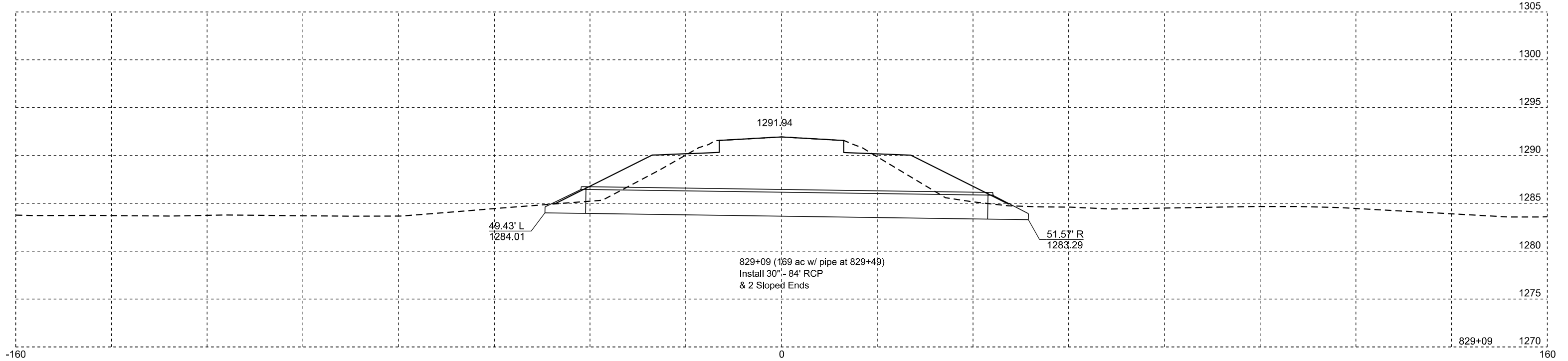
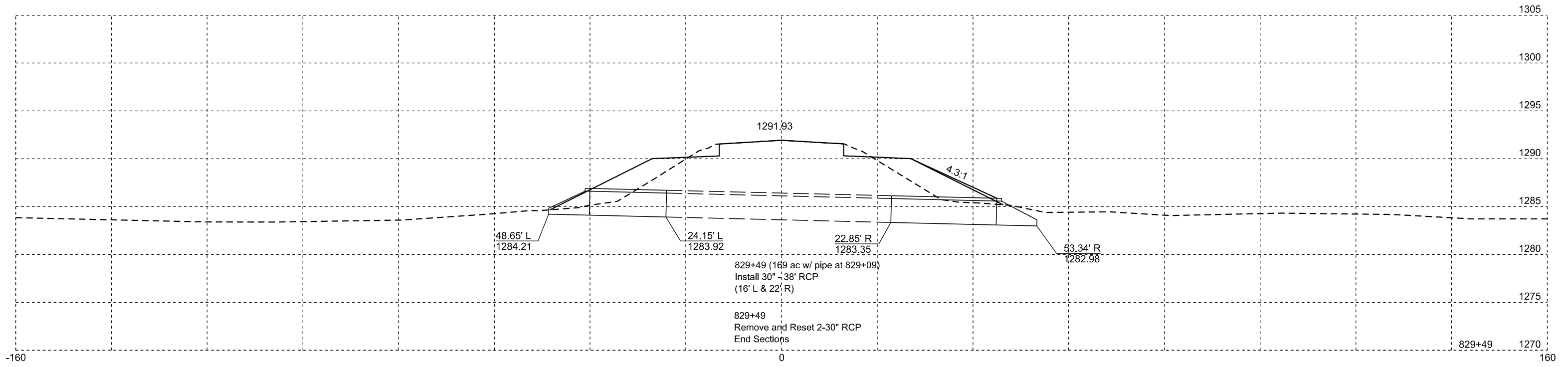
STATE OF SOUTH DAKOTA	PROJECT	SHEET	TOTAL SHEETS
	P-PH-B-PT 0010(124)296	Z12	Z33



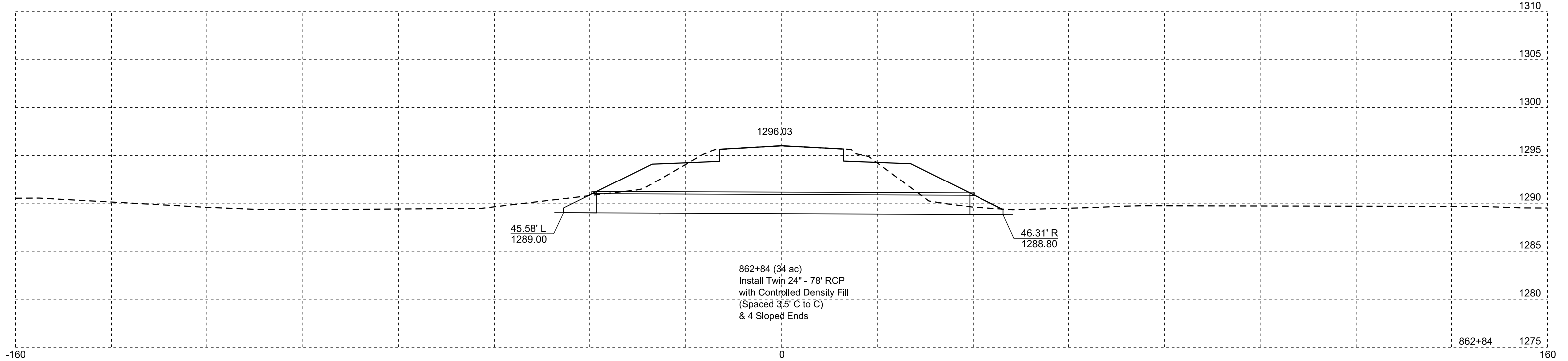
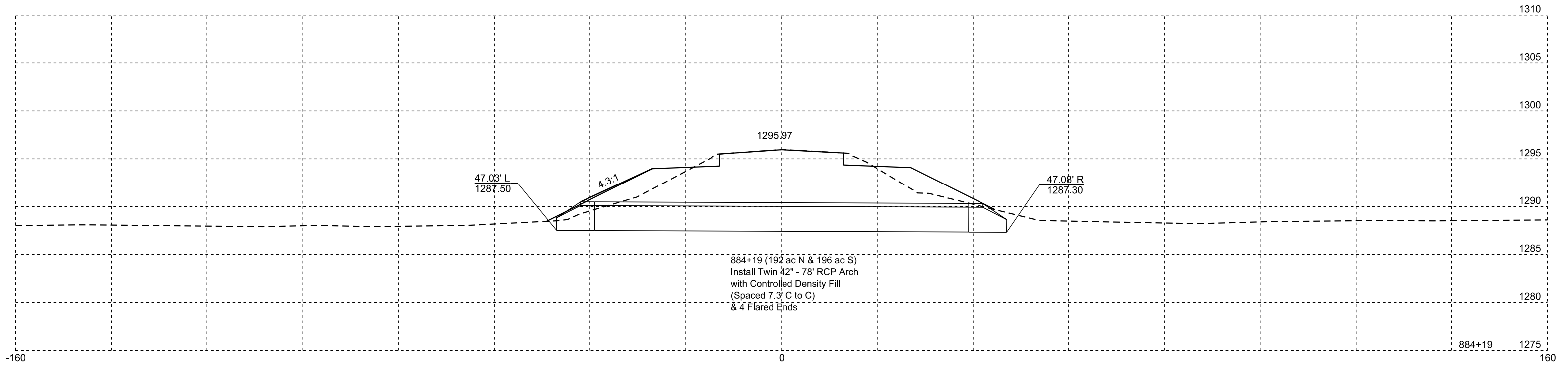
STATE OF SOUTH DAKOTA	PROJECT	SHEET	TOTAL SHEETS
	P-PH-B-PT 0010(124)296	Z13	Z33



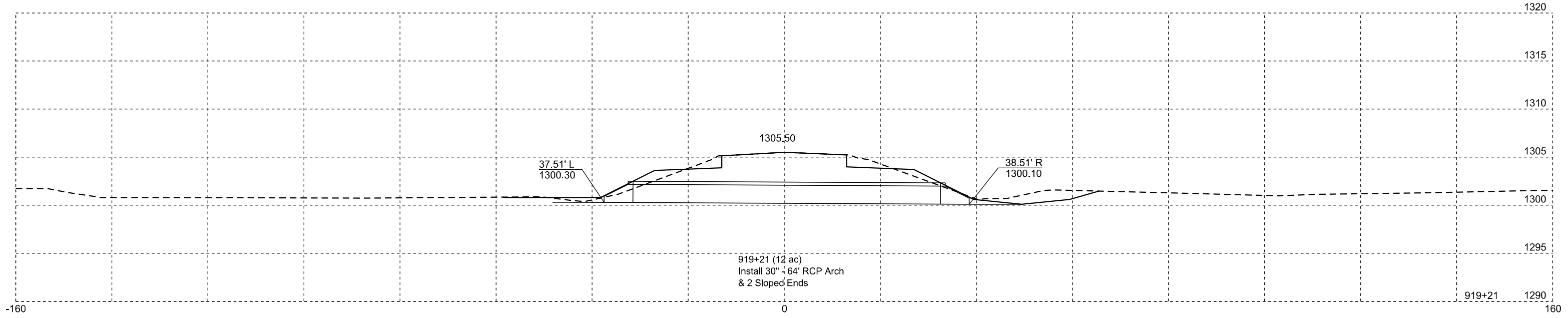
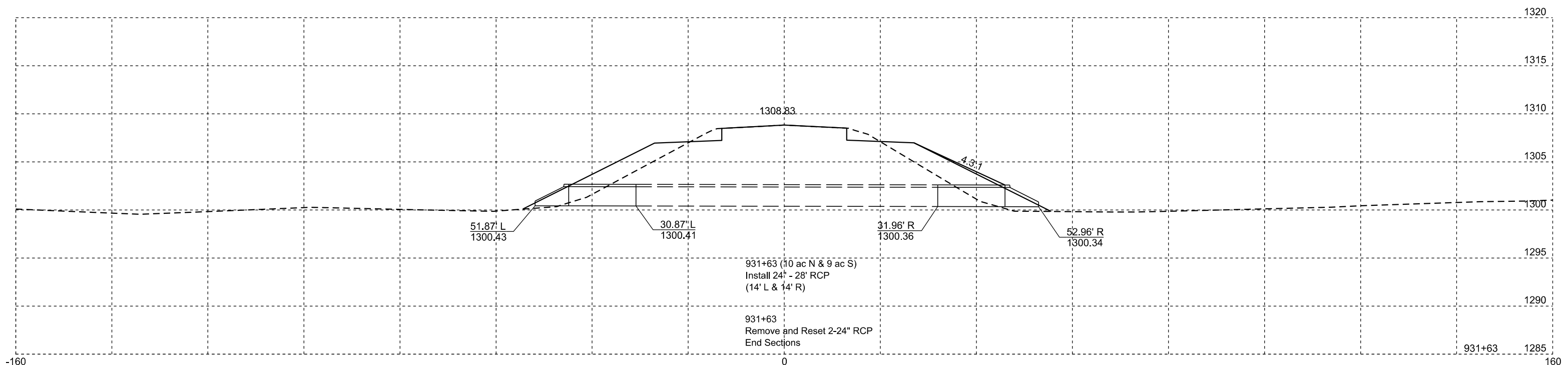
STATE OF SOUTH DAKOTA	PROJECT	SHEET	TOTAL SHEETS
	P-PH-B-PT 0010(124)296	Z14	Z33



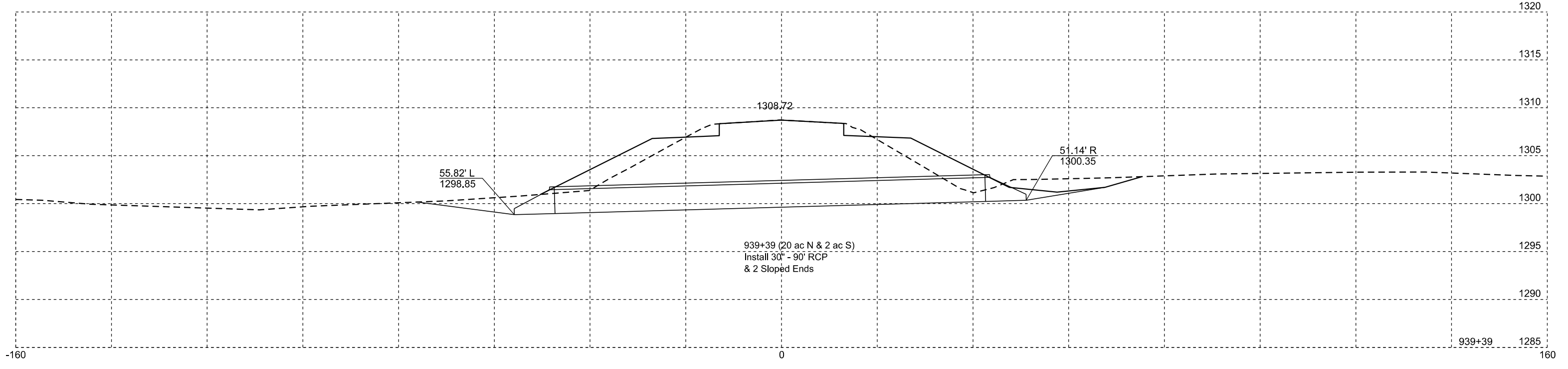
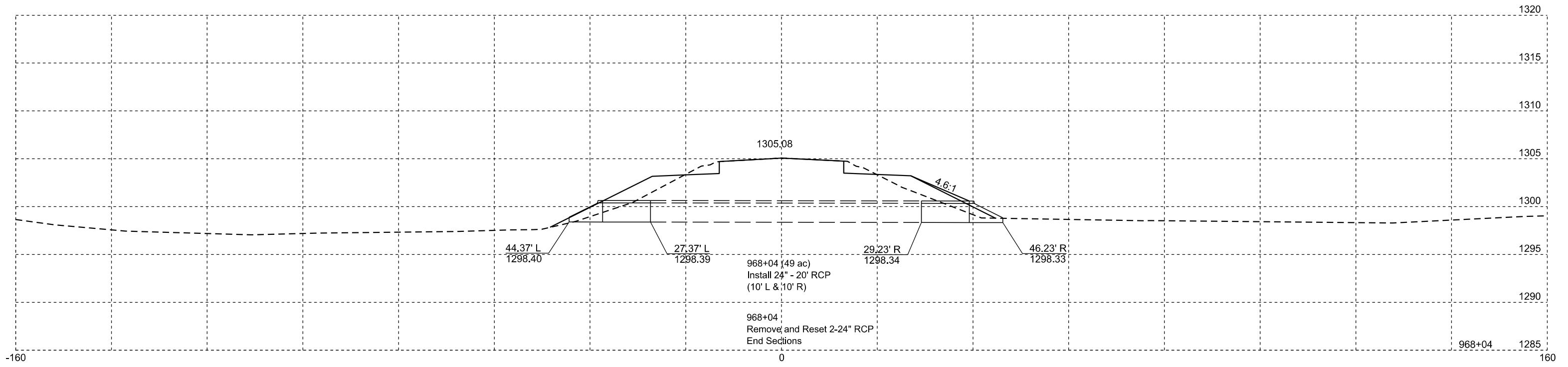
STATE OF SOUTH DAKOTA	PROJECT	SHEET	TOTAL SHEETS
	P-PH-B-PT 0010(124)296	Z15	Z33



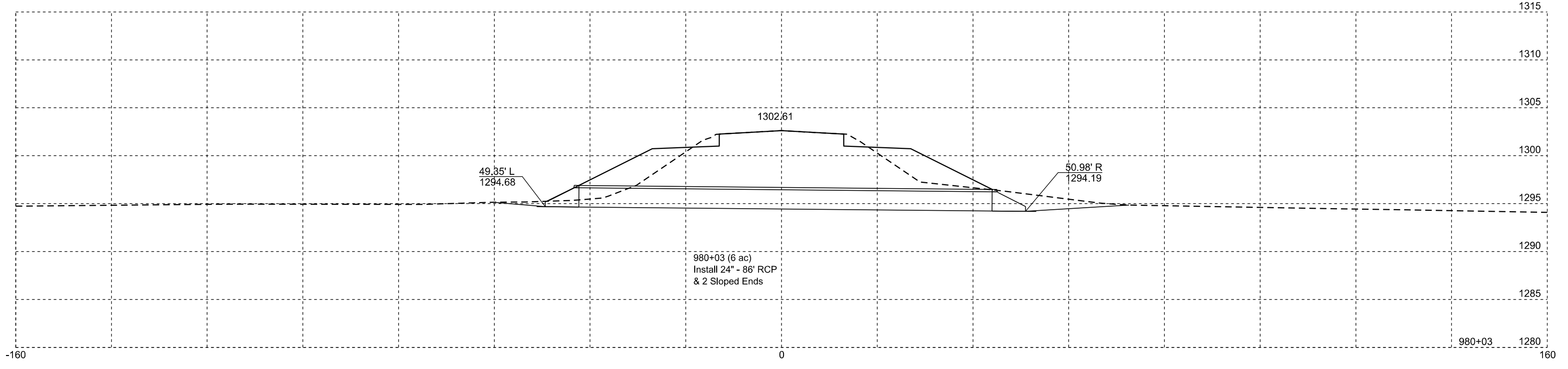
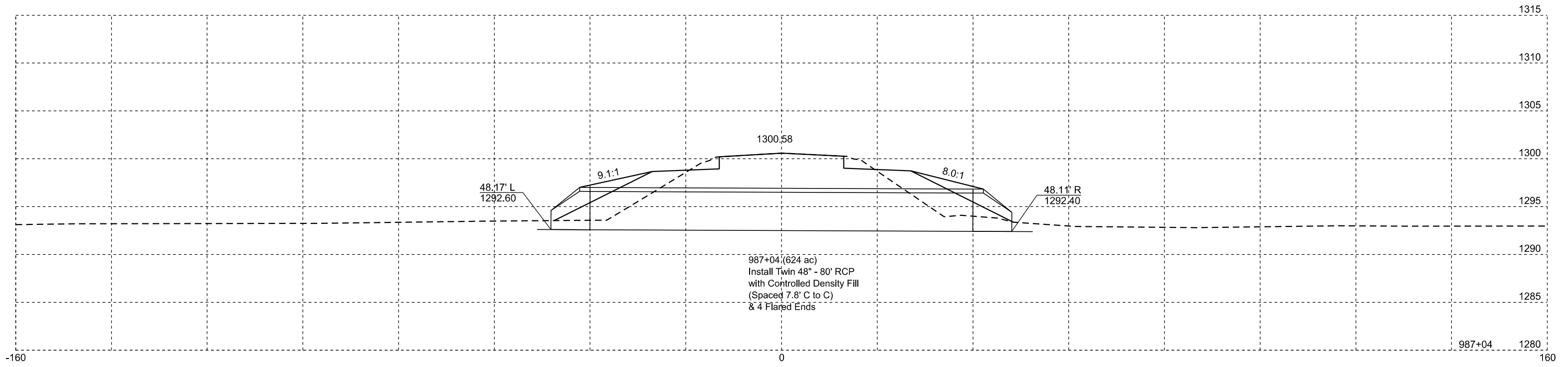
STATE OF SOUTH DAKOTA	PROJECT	SHEET	TOTAL SHEETS
	P-PH-B-PT 0010(124)296	Z16	Z33



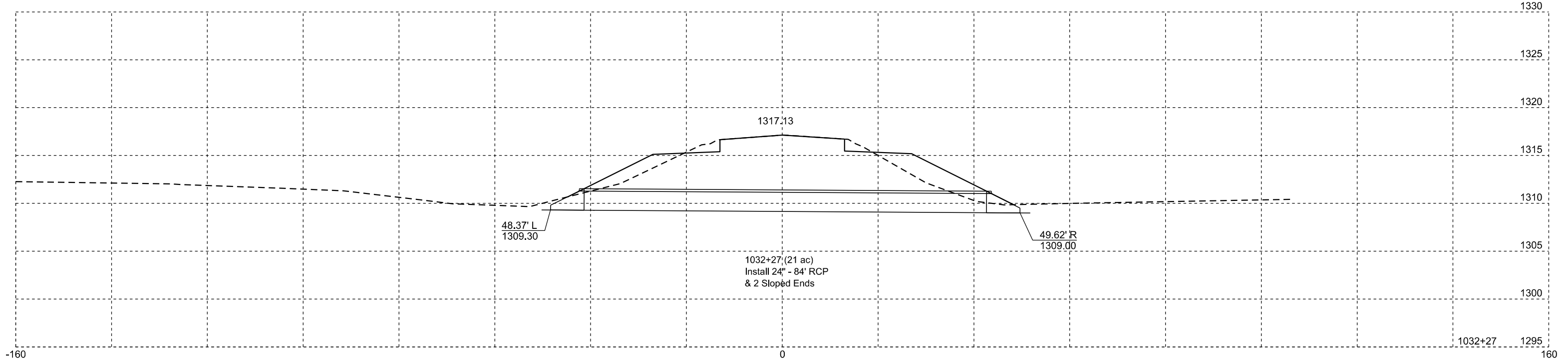
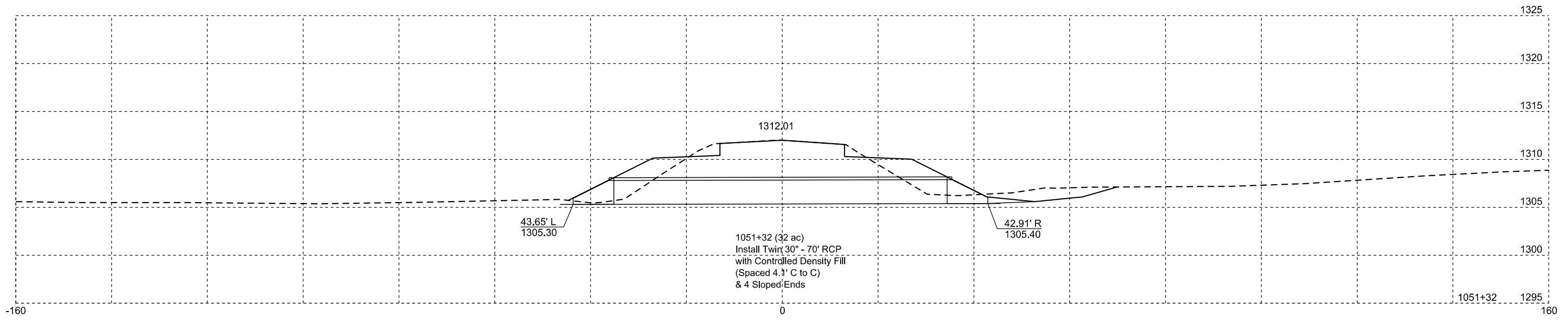
STATE OF SOUTH DAKOTA	PROJECT	SHEET	TOTAL SHEETS
	P-PH-B-PT 0010(124)296	Z17	Z33



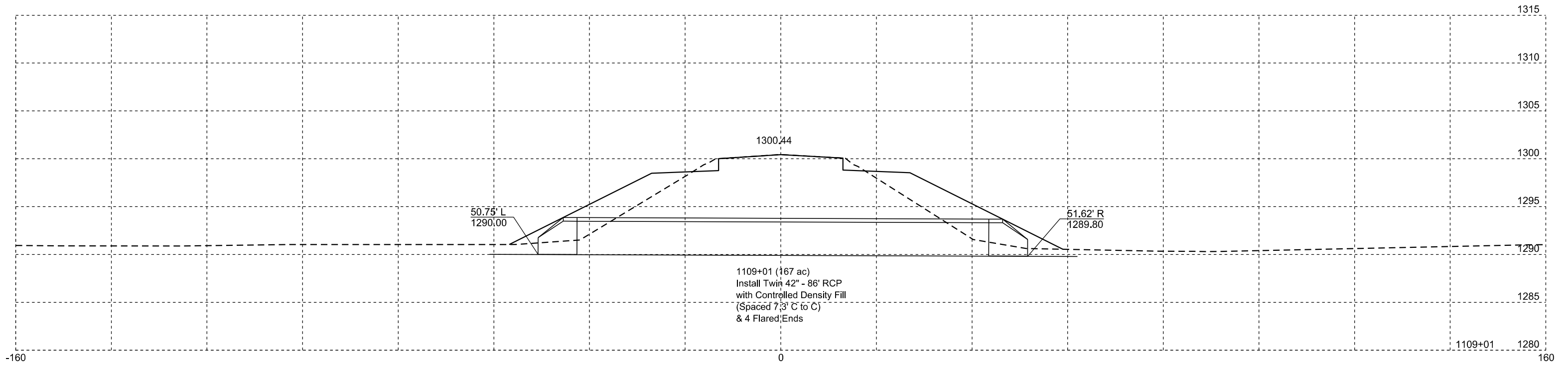
STATE OF SOUTH DAKOTA	PROJECT	SHEET	TOTAL SHEETS
	P-PH-B-PT 0010(124)296	Z18	Z33



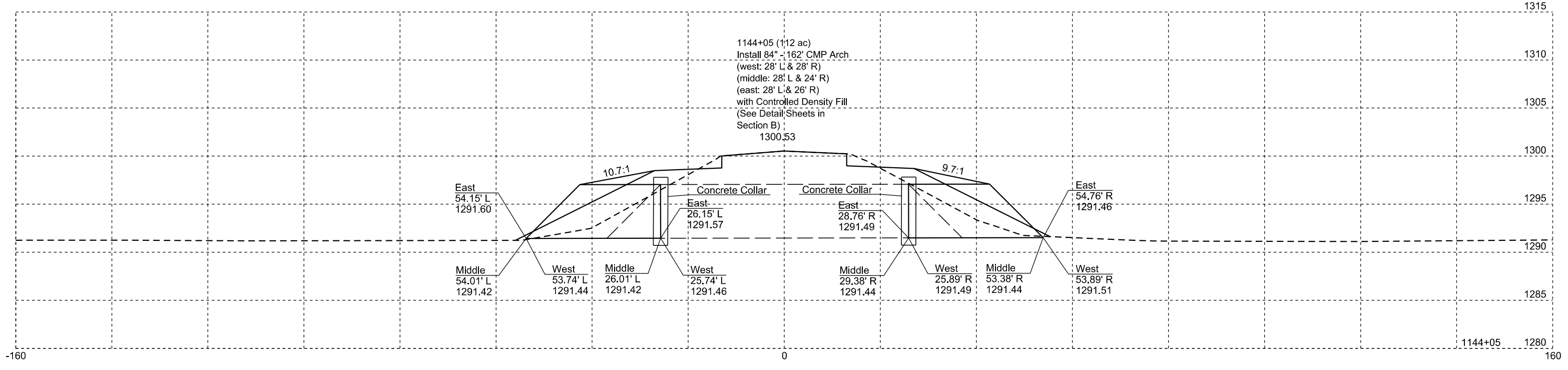
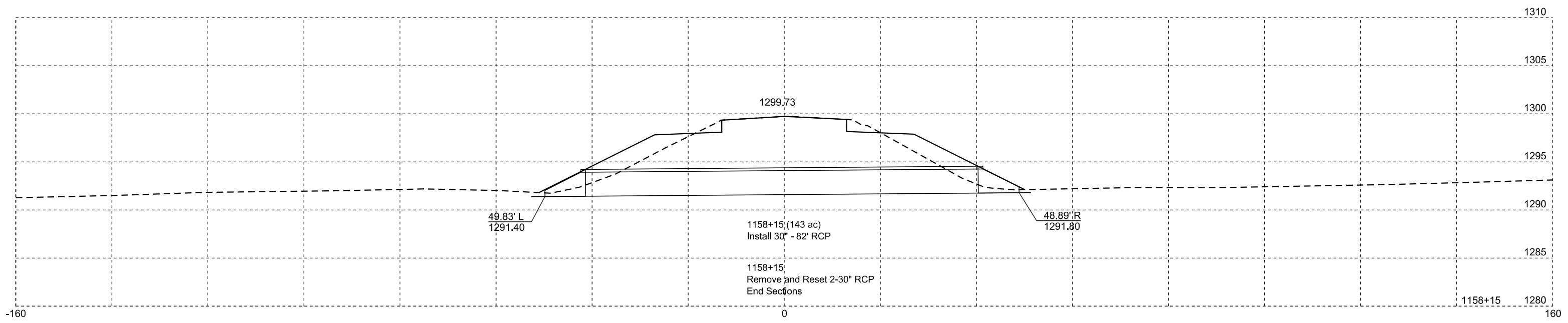
STATE OF SOUTH DAKOTA	PROJECT	SHEET	TOTAL SHEETS
	P-PH-B-PT 0010(124)296	Z19	Z33



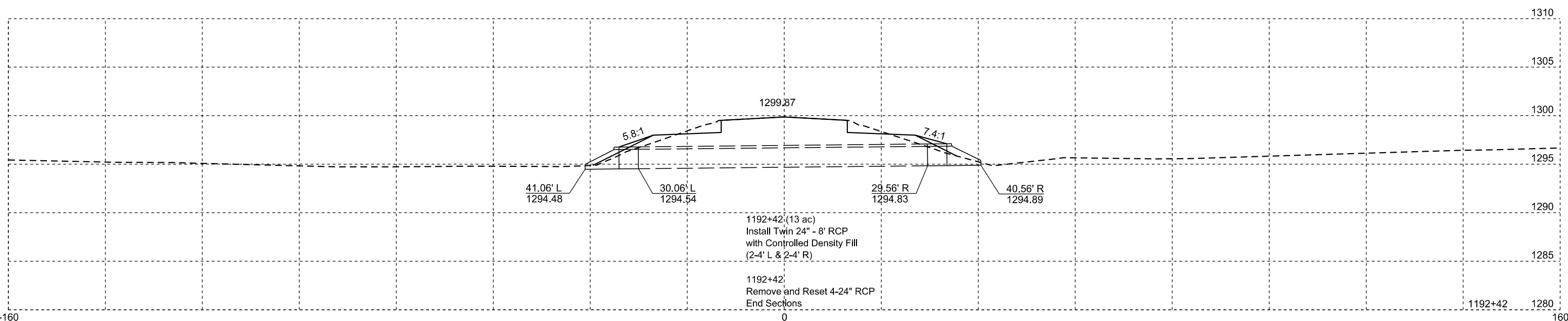
STATE OF SOUTH DAKOTA	PROJECT	SHEET	TOTAL SHEETS
	P-PH-B-PT 0010(124)296	Z20	Z33



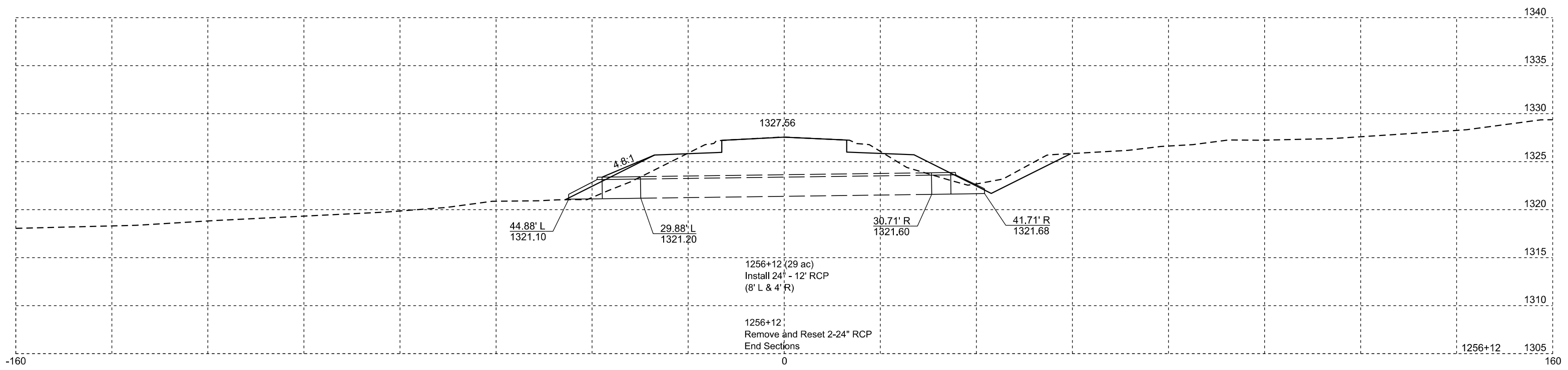
STATE OF SOUTH DAKOTA	PROJECT	SHEET	TOTAL SHEETS
	P-PH-B-PT 0010(124)296	Z21	Z33



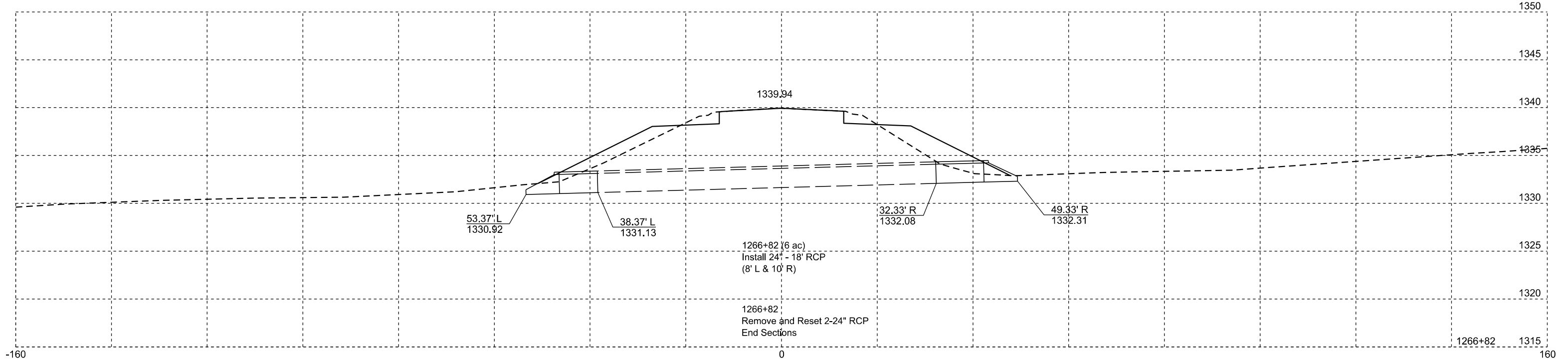
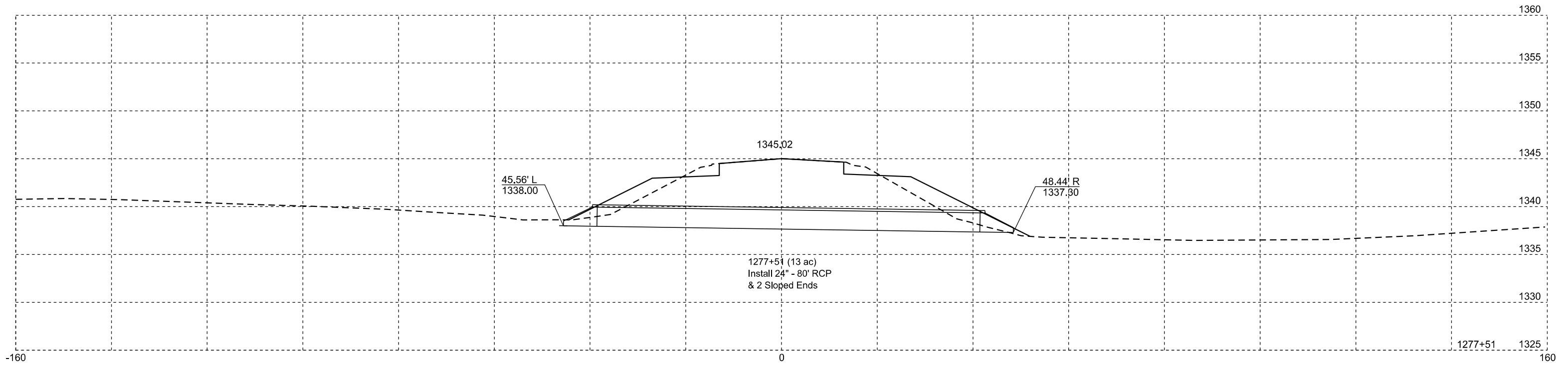
STATE OF SOUTH DAKOTA	PROJECT	SHEET	TOTAL SHEETS
	P-PH-B-PT 0010(124)296	Z22	Z33



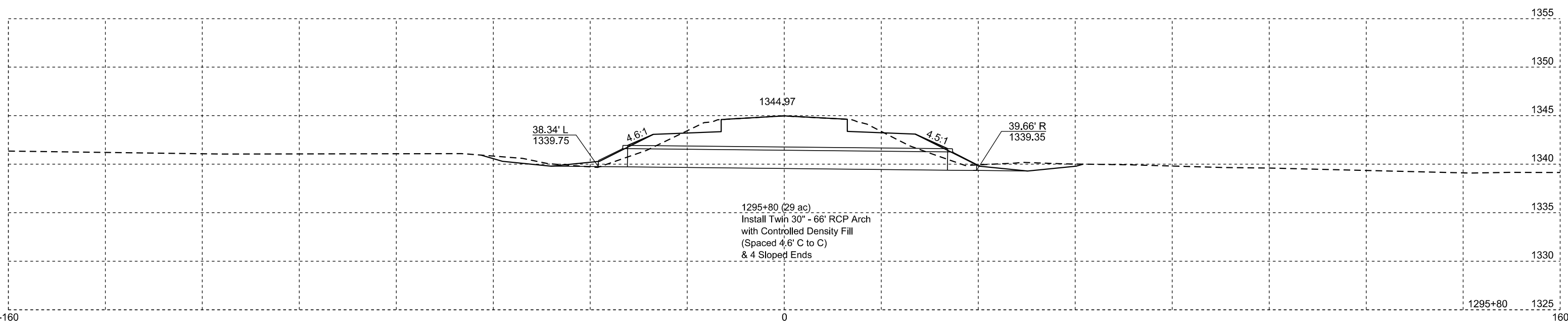
STATE OF SOUTH DAKOTA	PROJECT	SHEET	TOTAL SHEETS
	P-PH-B-PT 0010(124)296	Z23	Z33

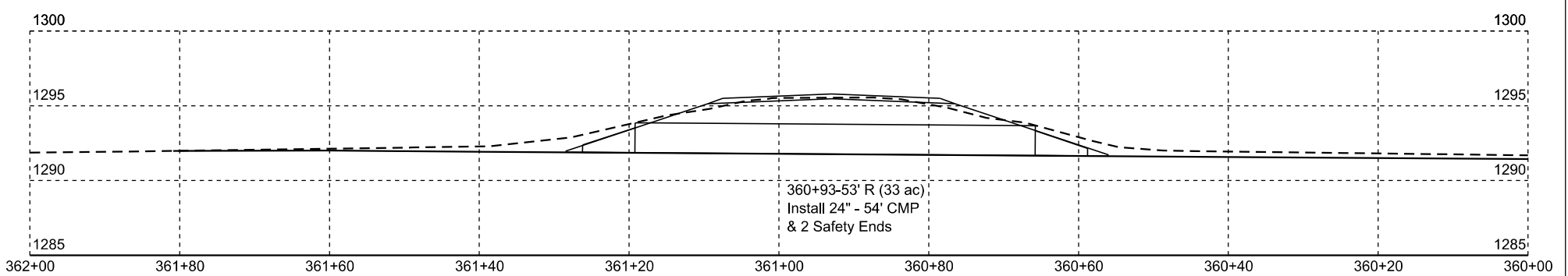
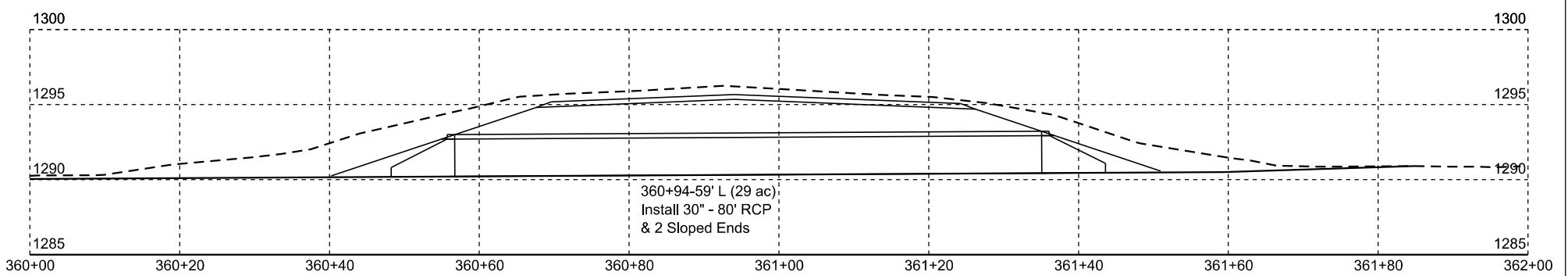
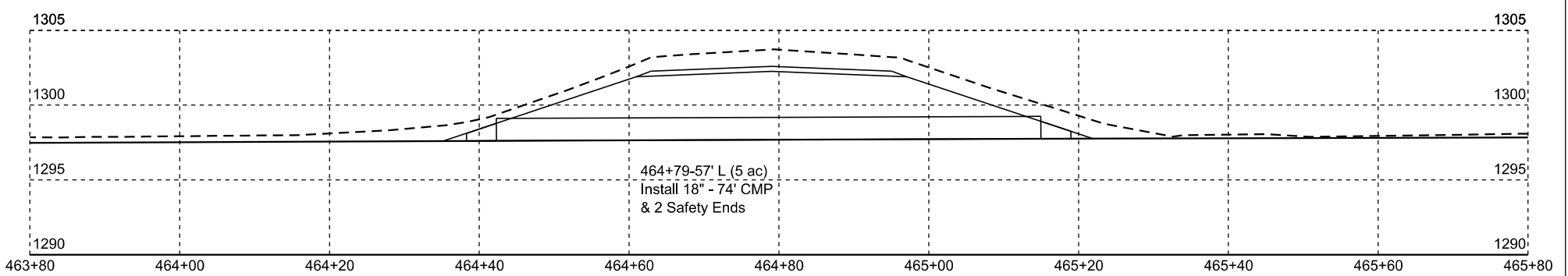
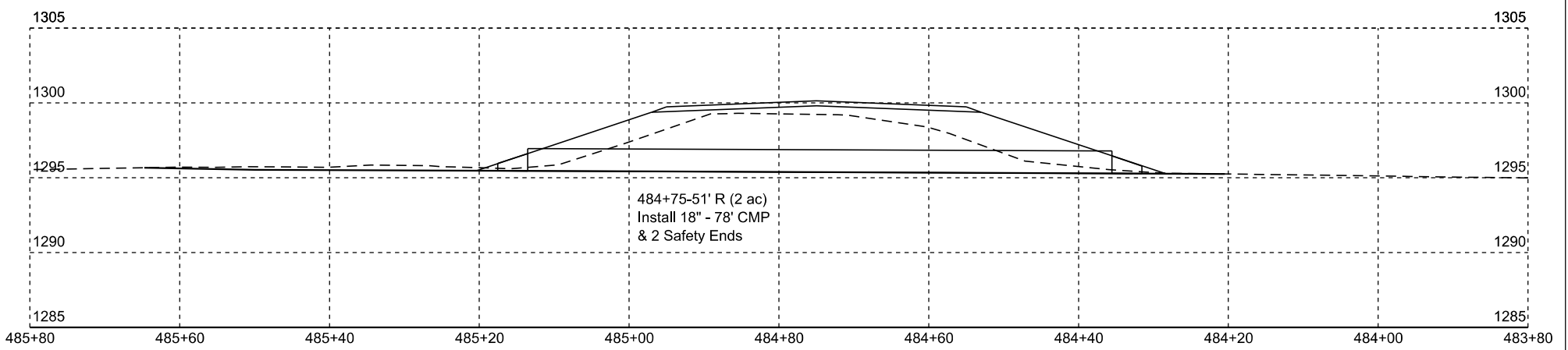
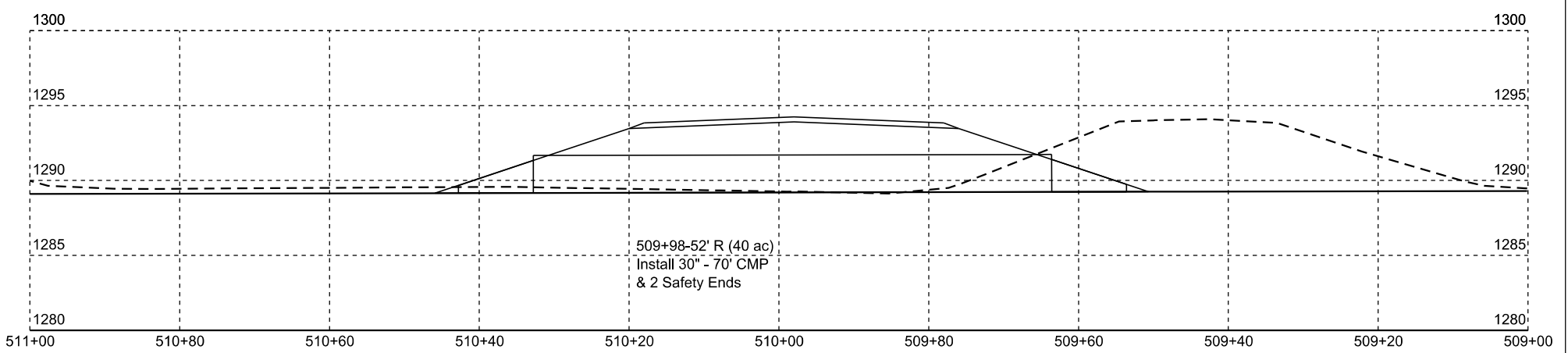
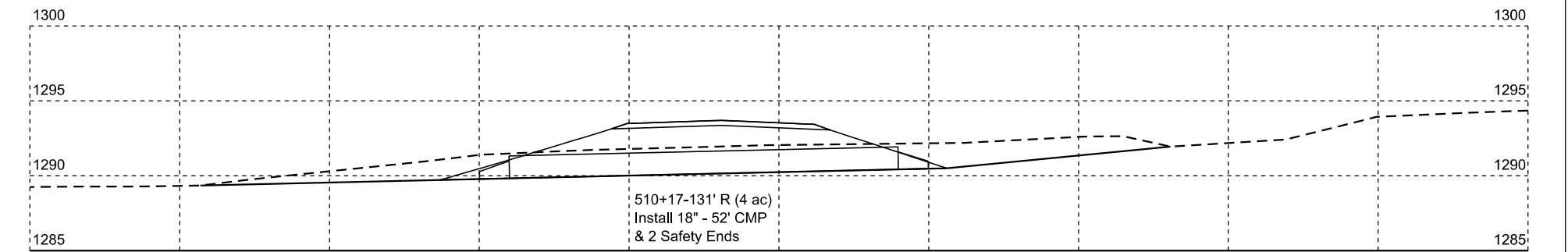
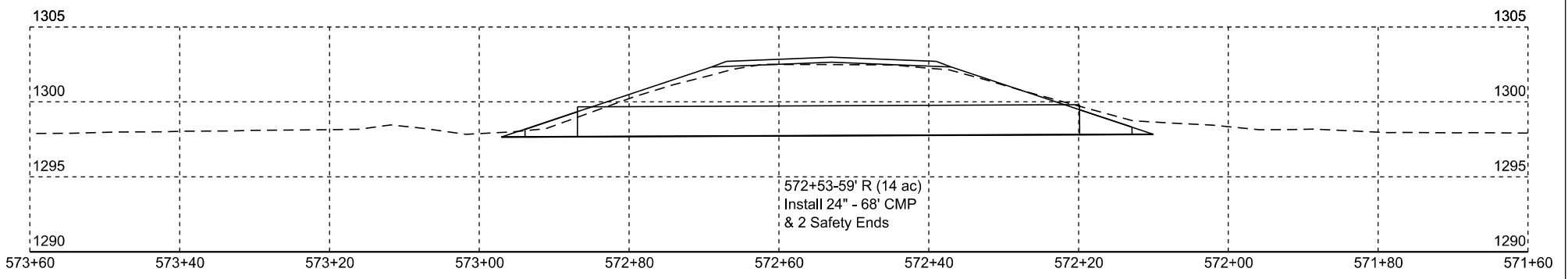


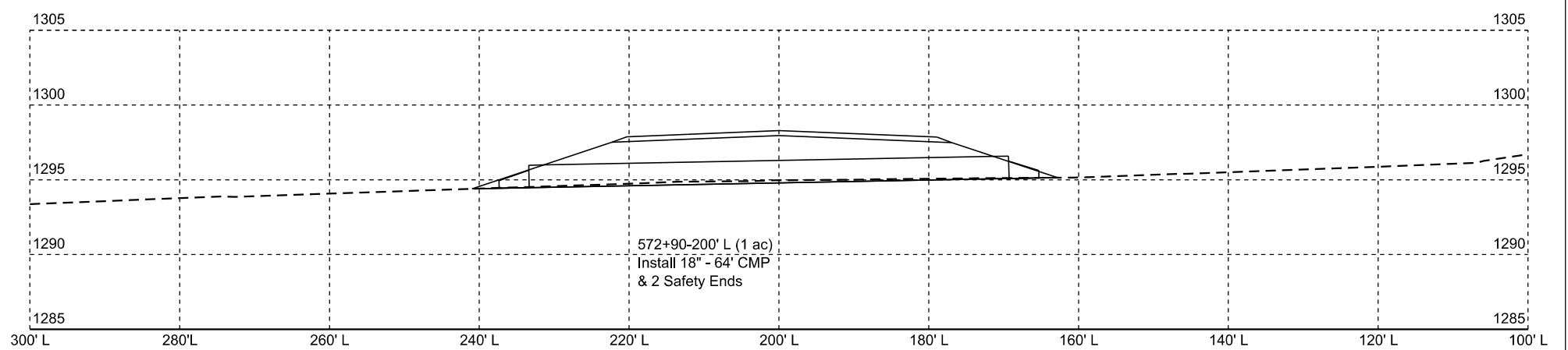
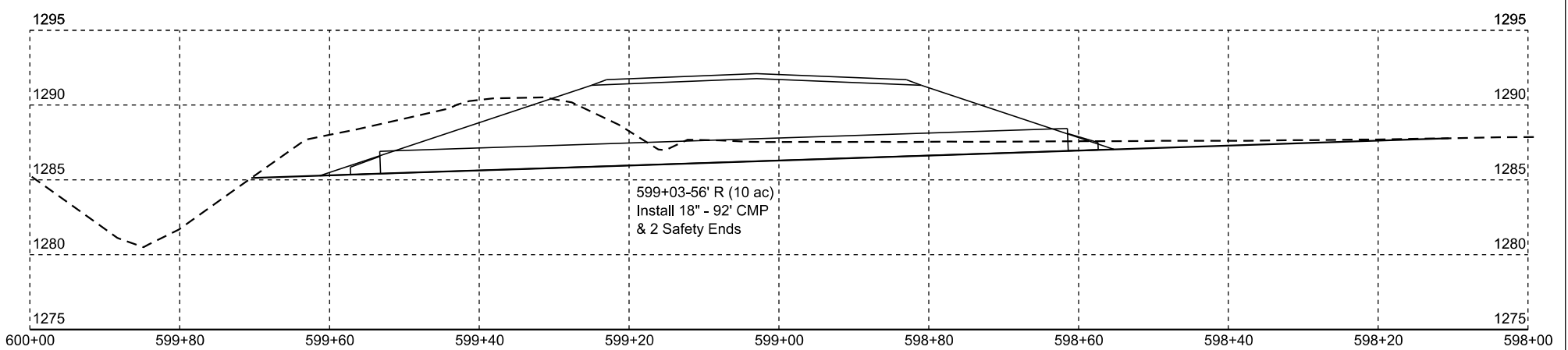
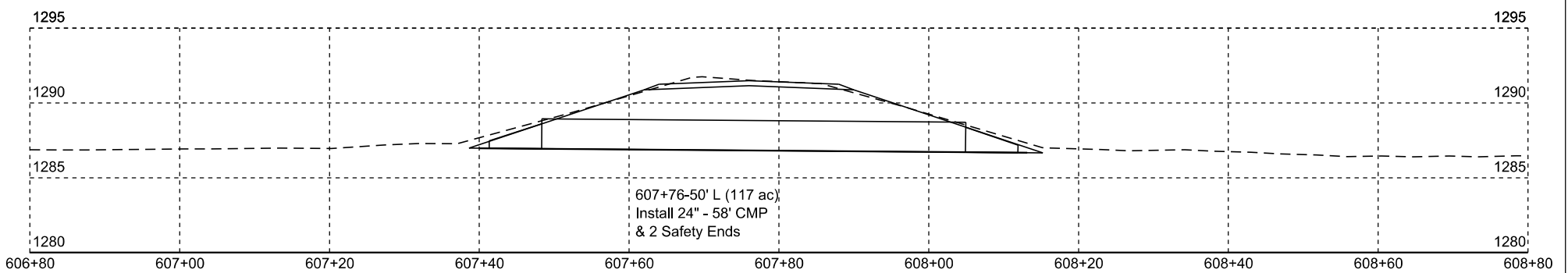
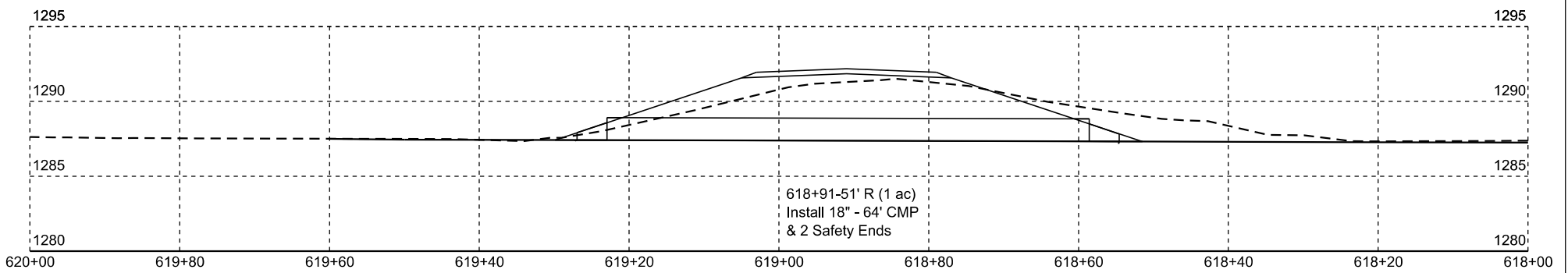
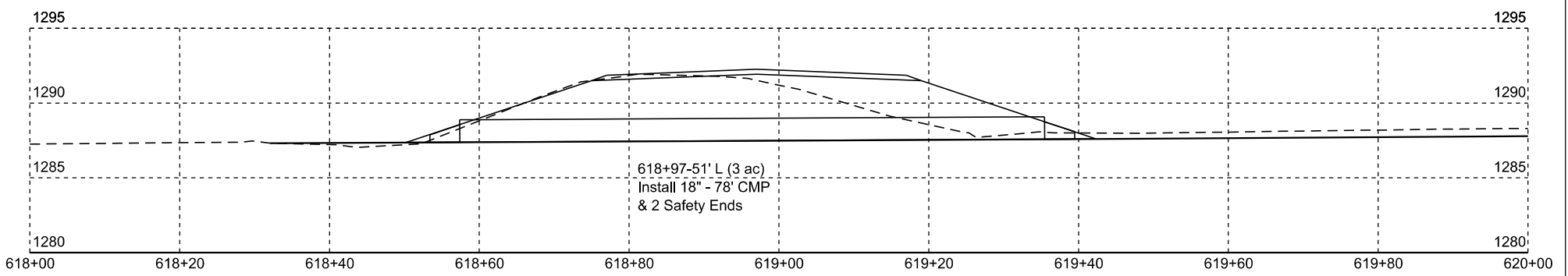
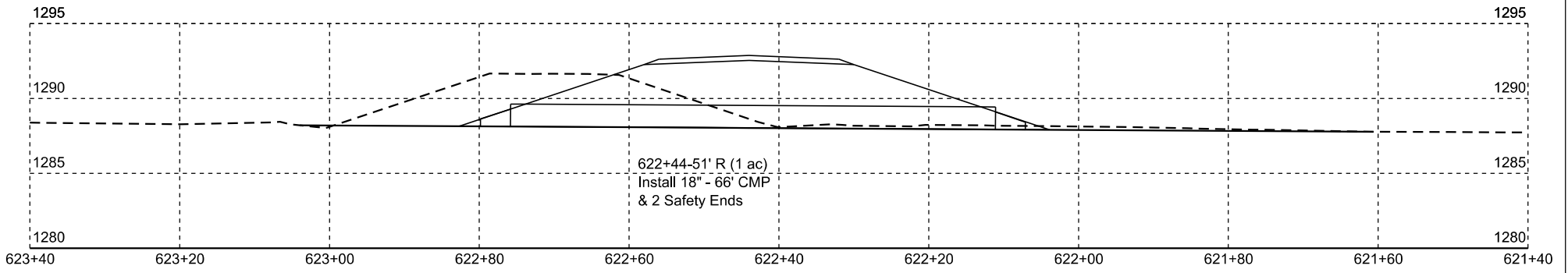
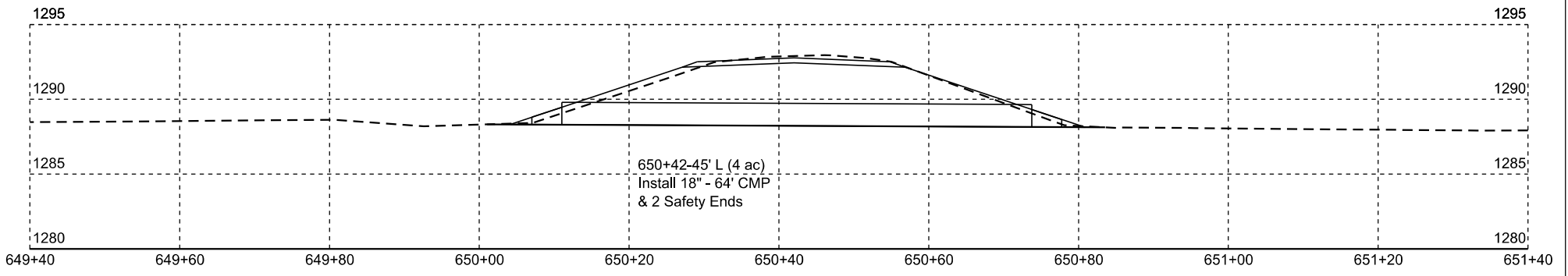
STATE OF SOUTH DAKOTA	PROJECT	SHEET	TOTAL SHEETS
	P-PH-B-PT 0010(124)296	Z24	Z33

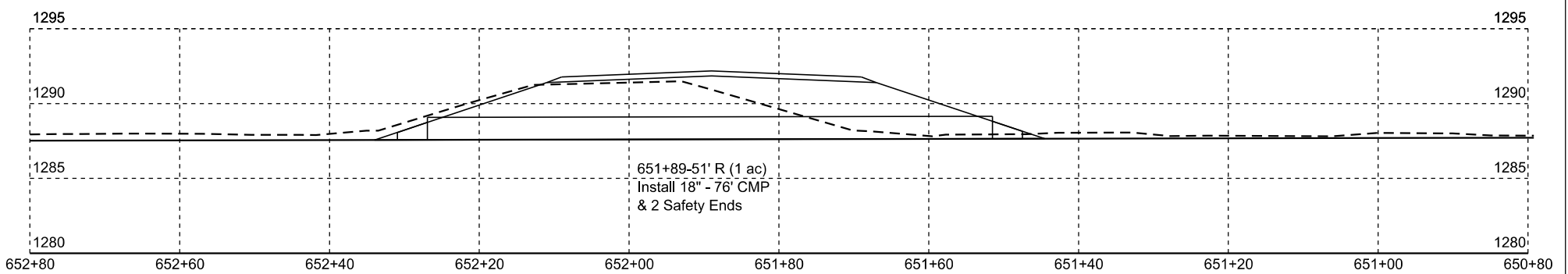
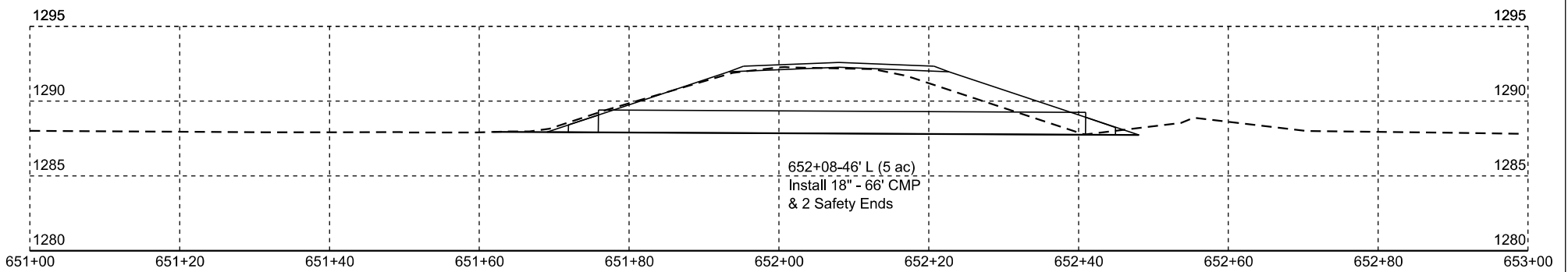
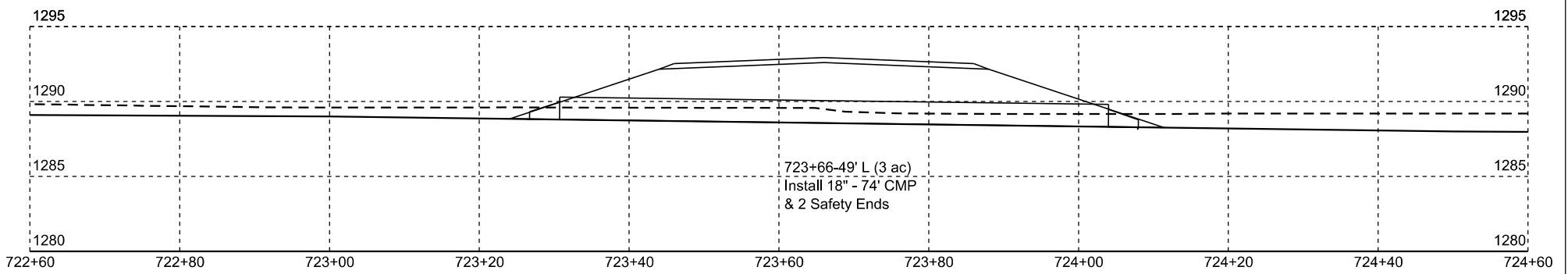
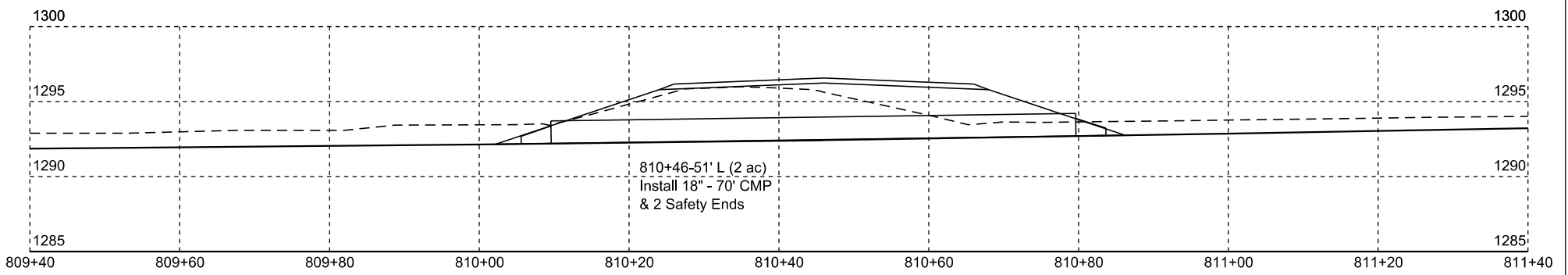
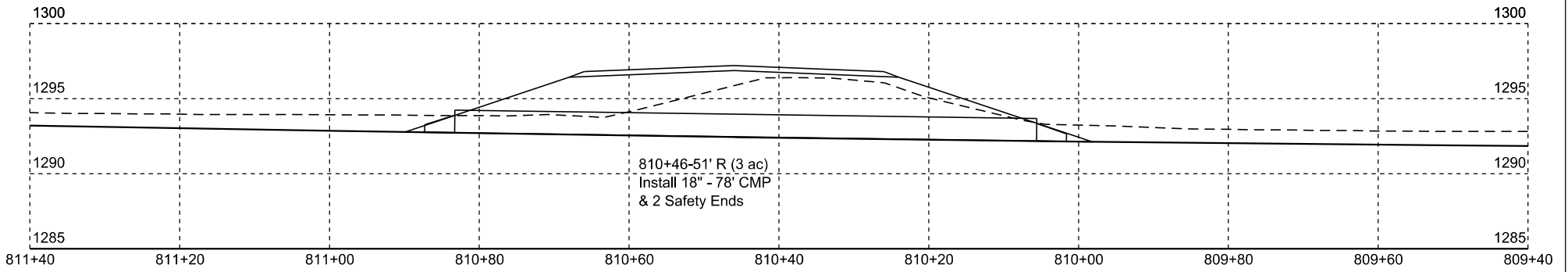
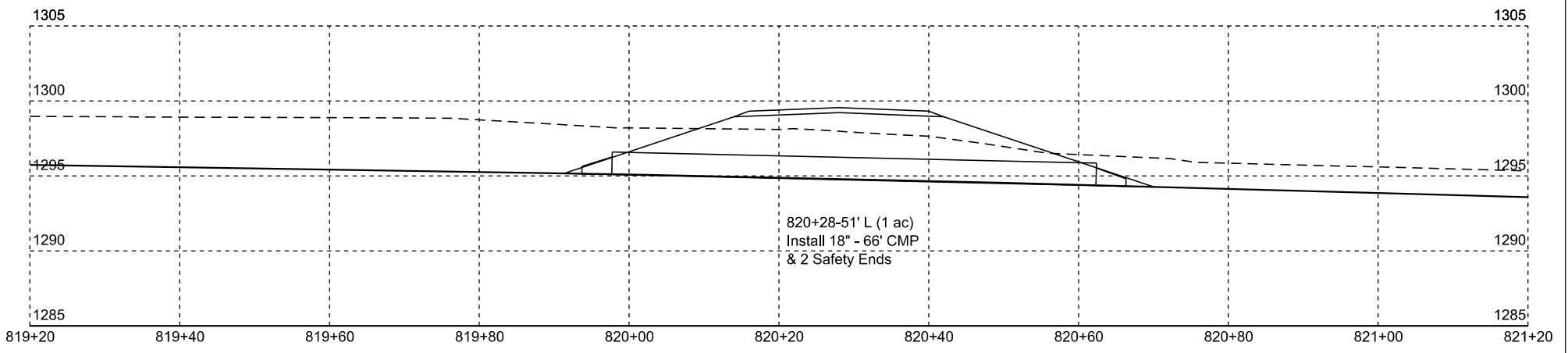


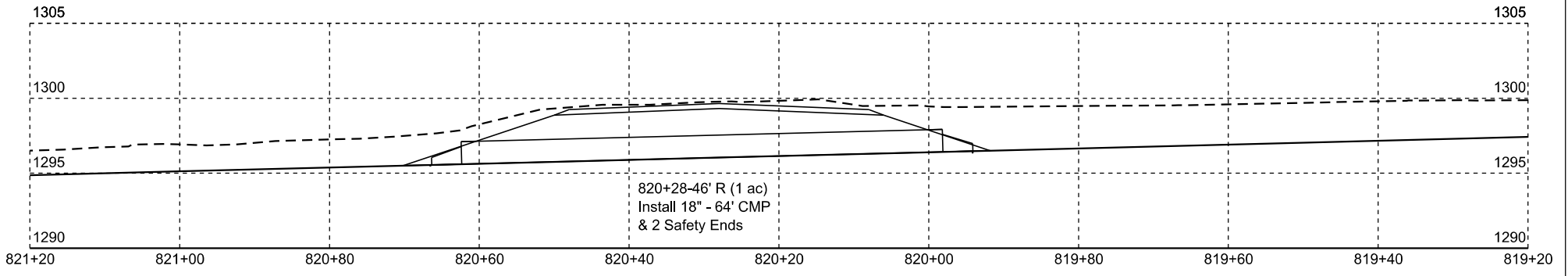
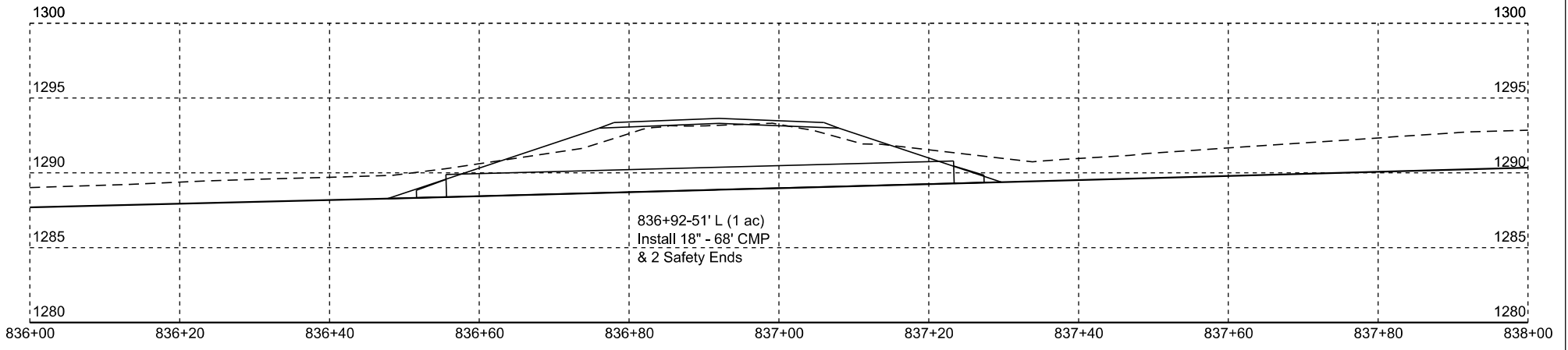
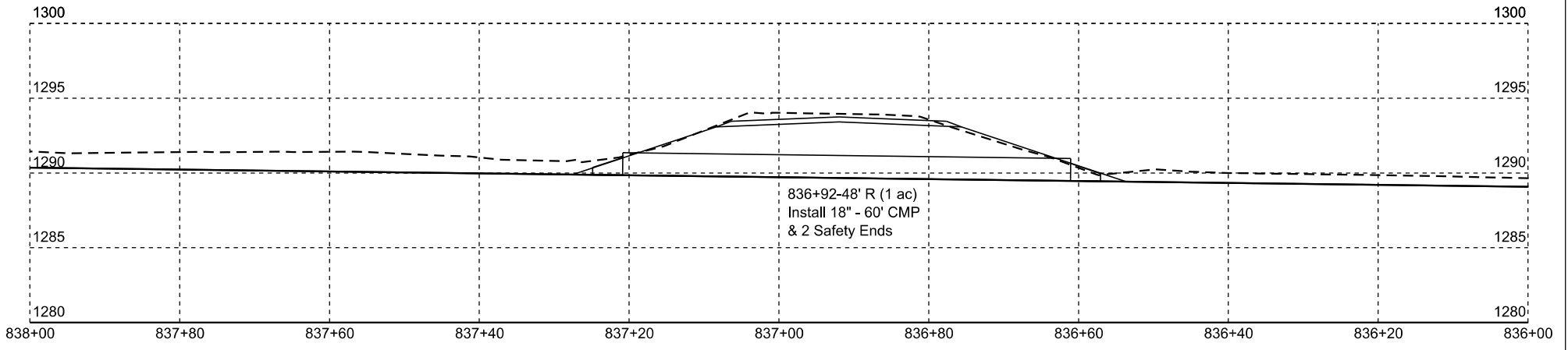
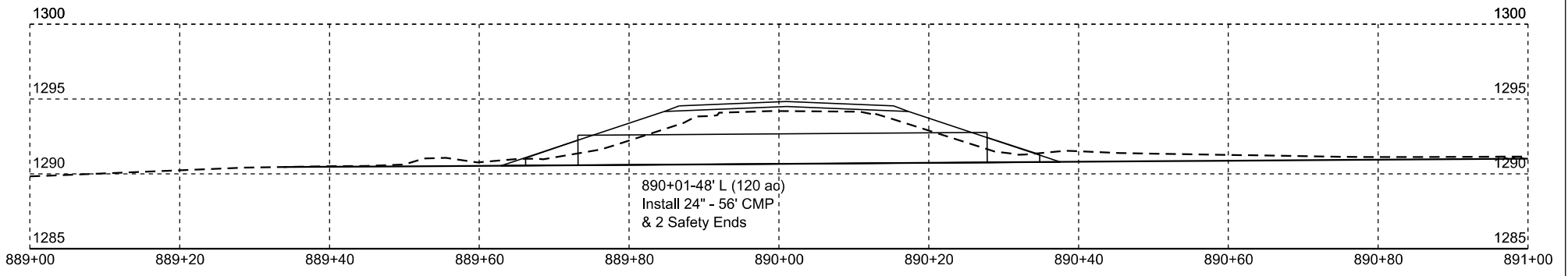
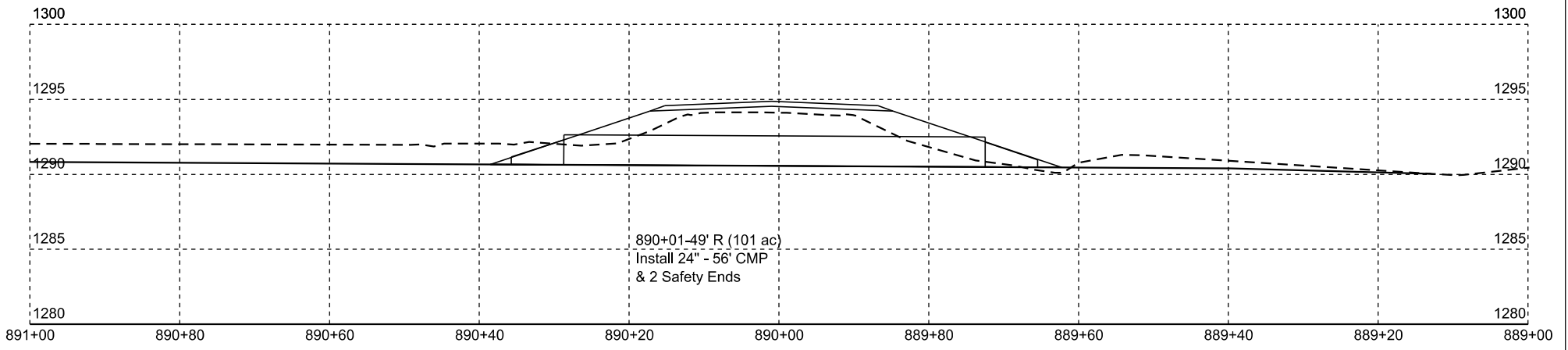
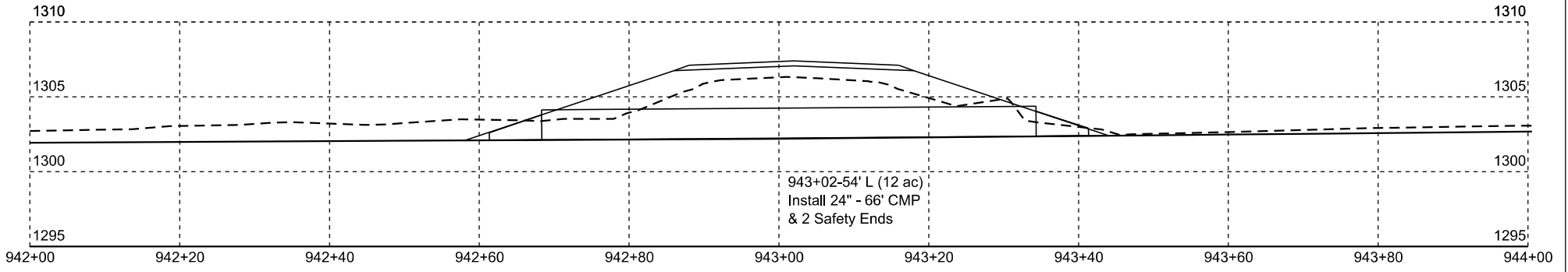
STATE OF SOUTH DAKOTA	PROJECT	SHEET	TOTAL SHEETS
	P-PH-B-PT 0010(124)296	Z25	Z33











Plotting Date: 01/16/2024

STATE OF SOUTH DAKOTA	PROJECT	SHEET NO.	TOTAL SHEETS
	P-PH-B-PT 0010(124)296	Z29	Z33

