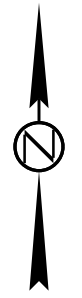


SECTION X: CROSS SECTIONS

| | | | |
|-----------------------------|-------------------|-------|-----------------|
| STATE OF SOUTH DAKOTA | PROJECT | SHEET | TOTAL SHEETS |
| | NH-CR 0046(69)288 | X1 | X139 |

Plotting Date: 09/24/2024

INDEX OF SECTIONS
 X1 General Layout with Index
 X2-X139 Cross Sections



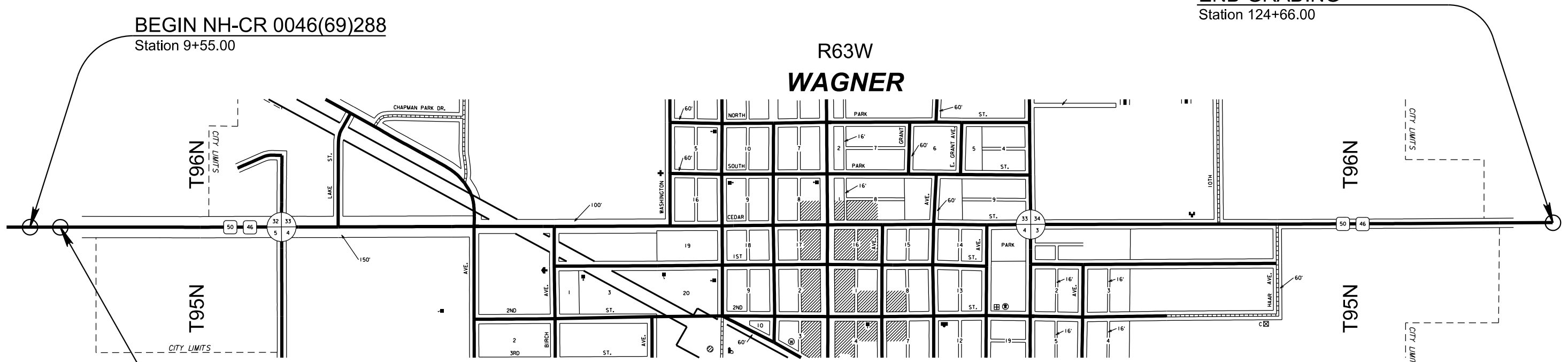
END NH-CR 0046(69)288
END GRADING
 Station 124+66.00

BEGIN NH-CR 0046(69)288
 Station 9+55.00

BEGIN GRADING
 Station 11+00.00

R63W
WAGNER

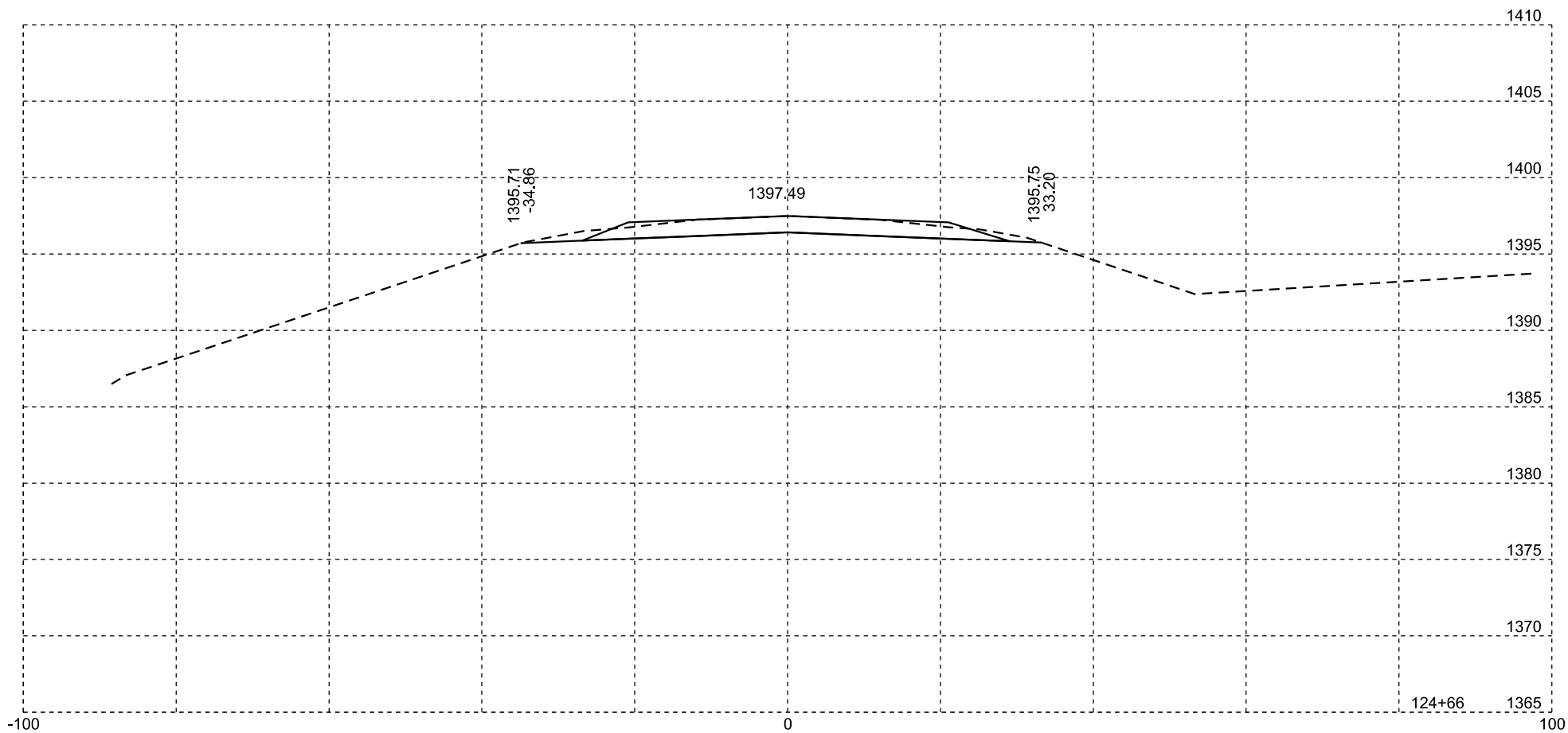
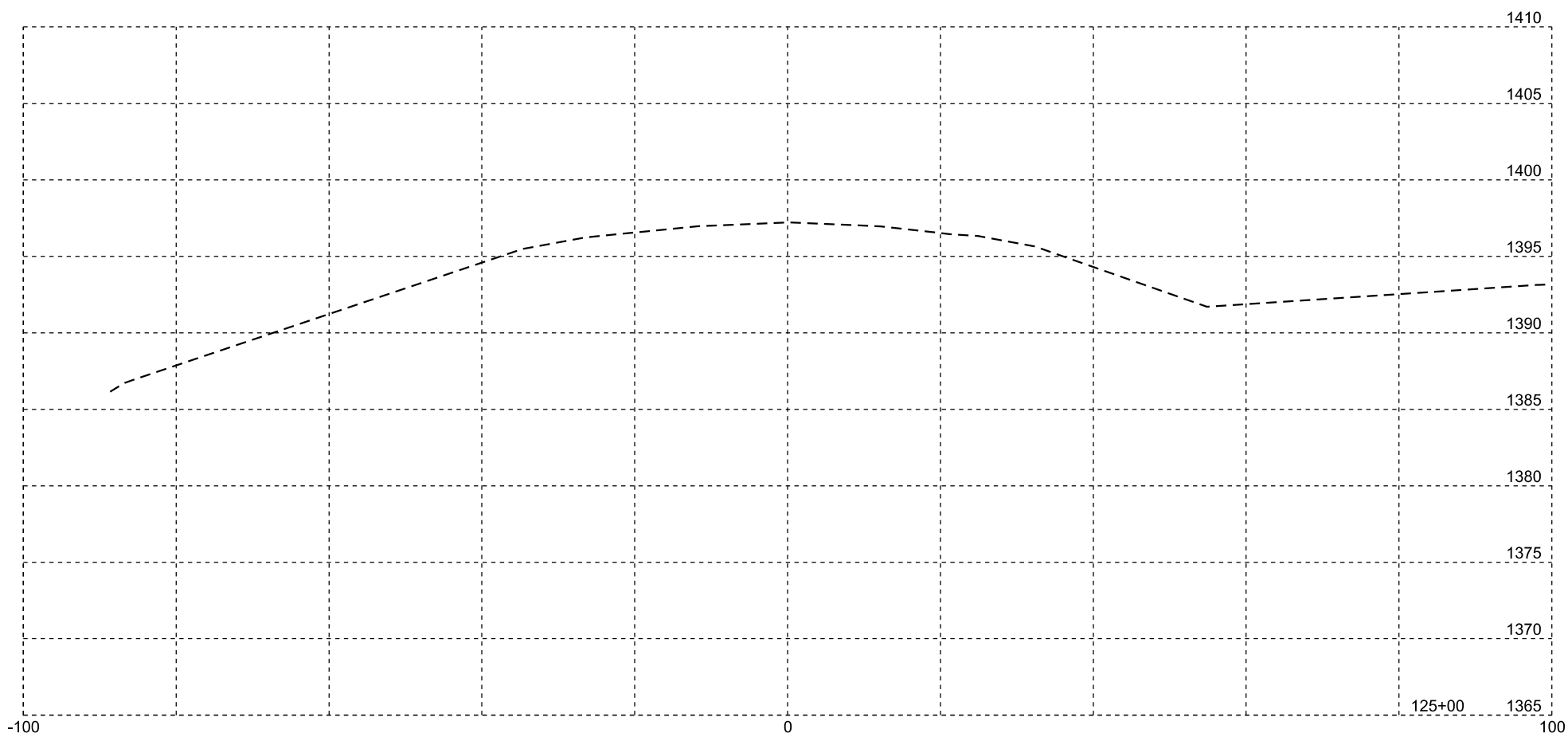
R63W



Plot Scale - 1:200

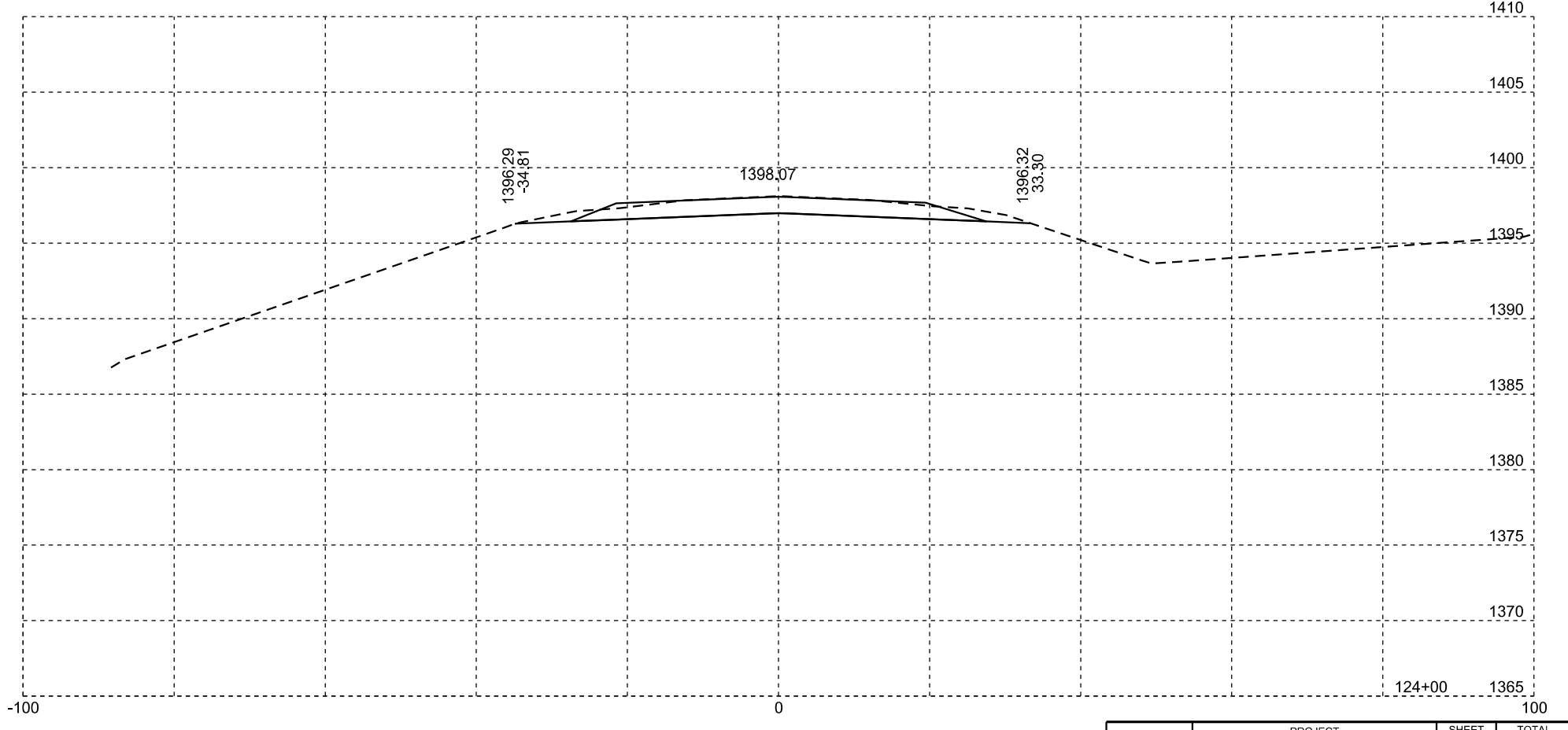
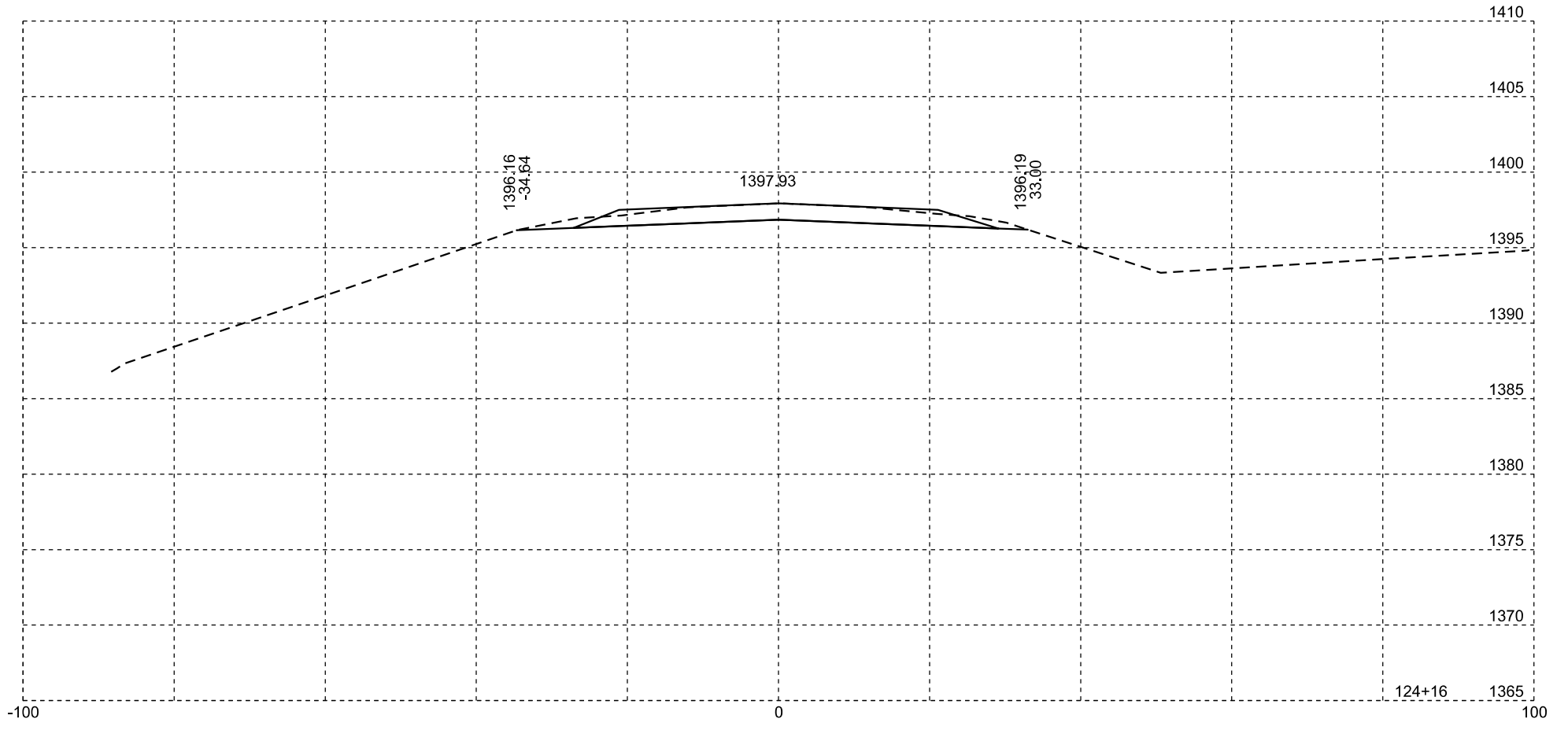
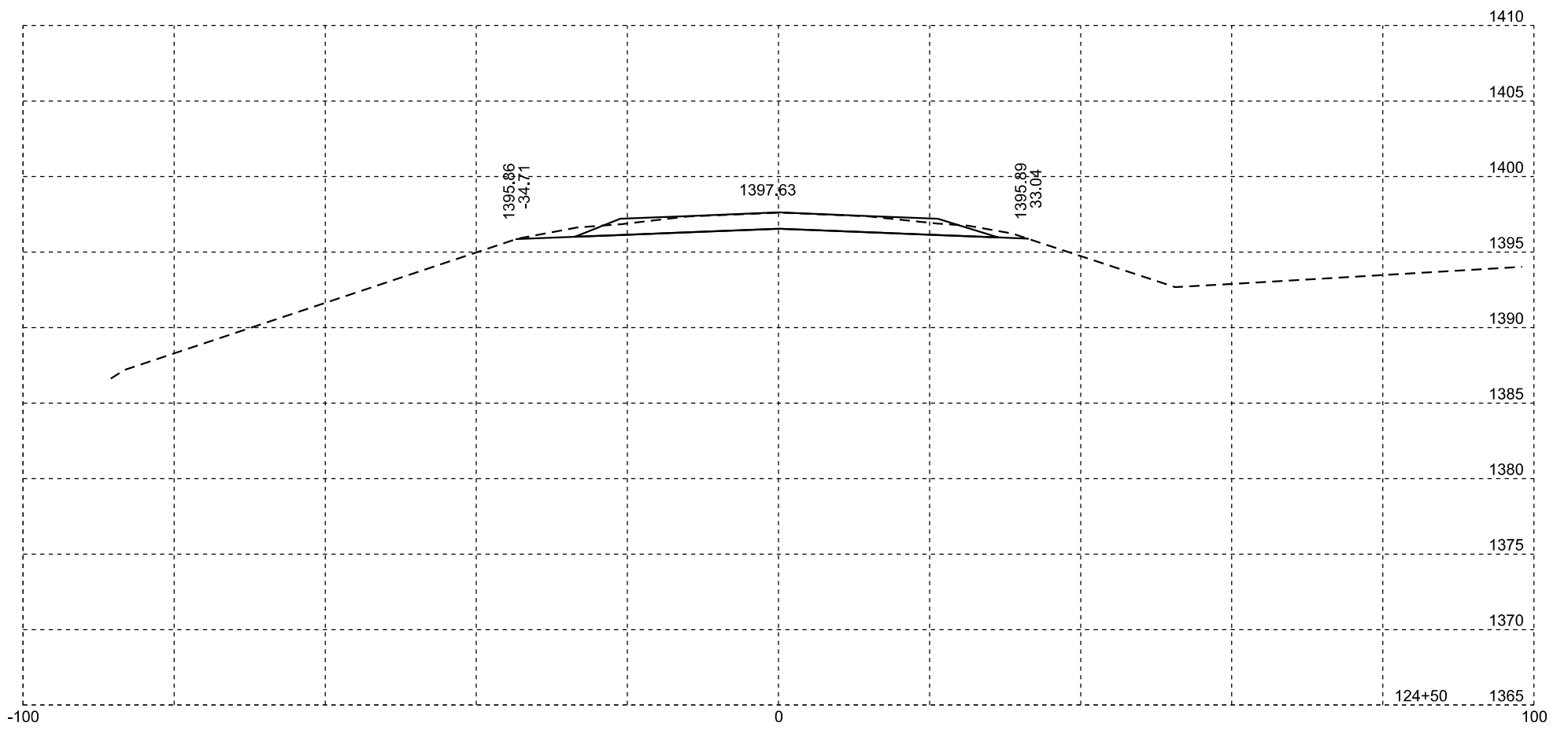
Plotted From - TRSF12139

File - U:\trsf\cmix05\JN1\TitleX.dgn



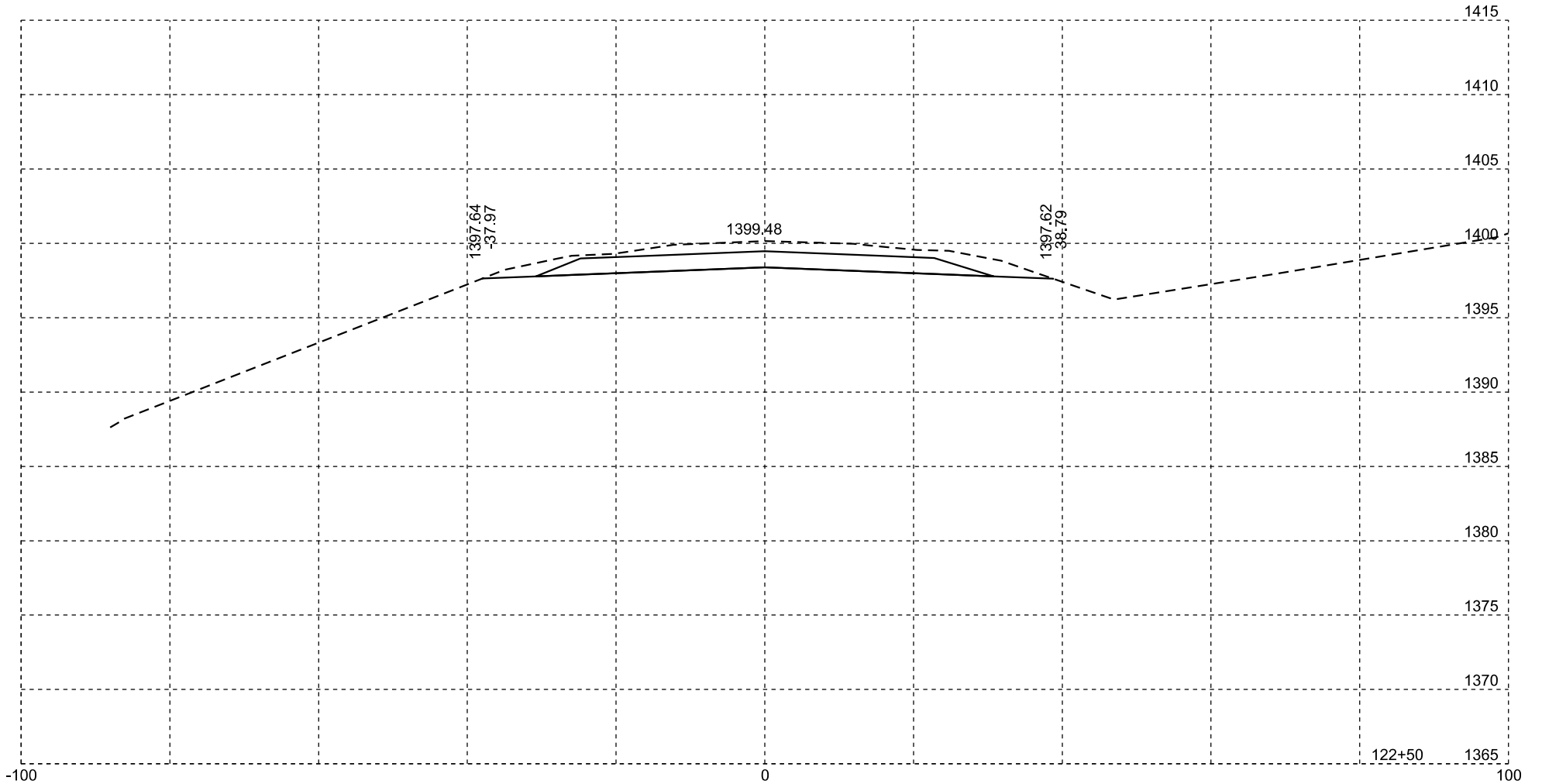
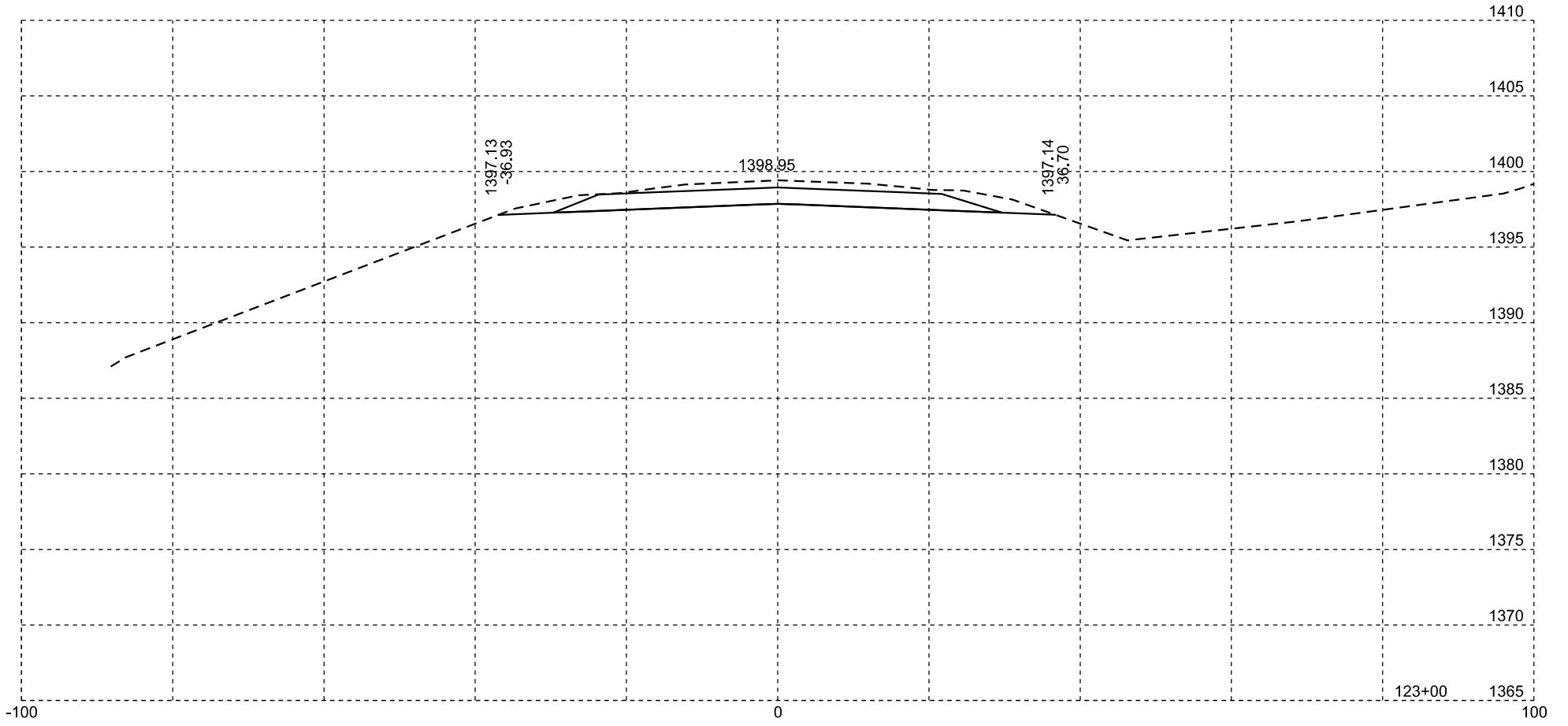
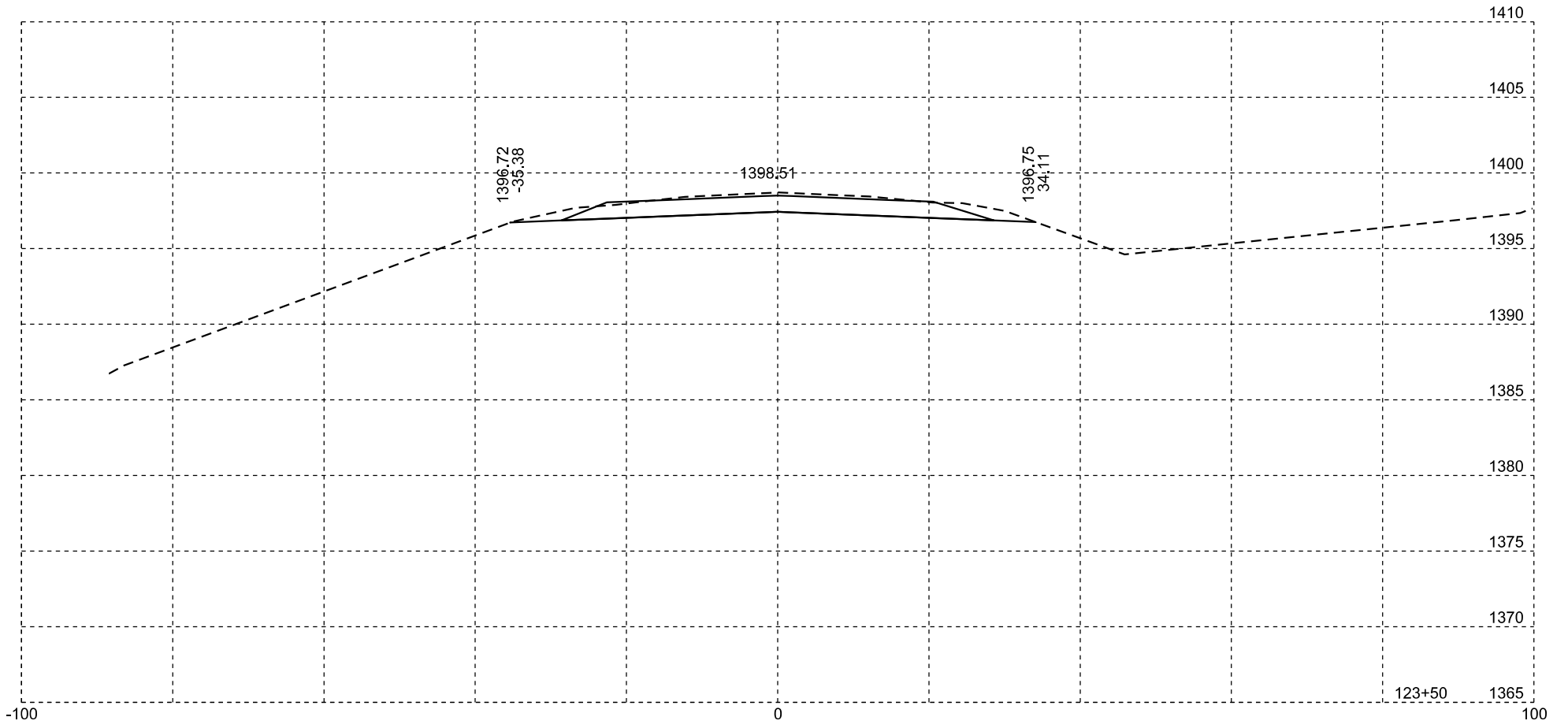
Plotting Date: 09/06/2024

| | | | |
|-----------------------------|-------------------|--------------|-----------------|
| STATE OF SOUTH DAKOTA | PROJECT | SHEET NO. | TOTAL SHEETS |
| | NH-CR 0046(69)288 | X2 | X139 |



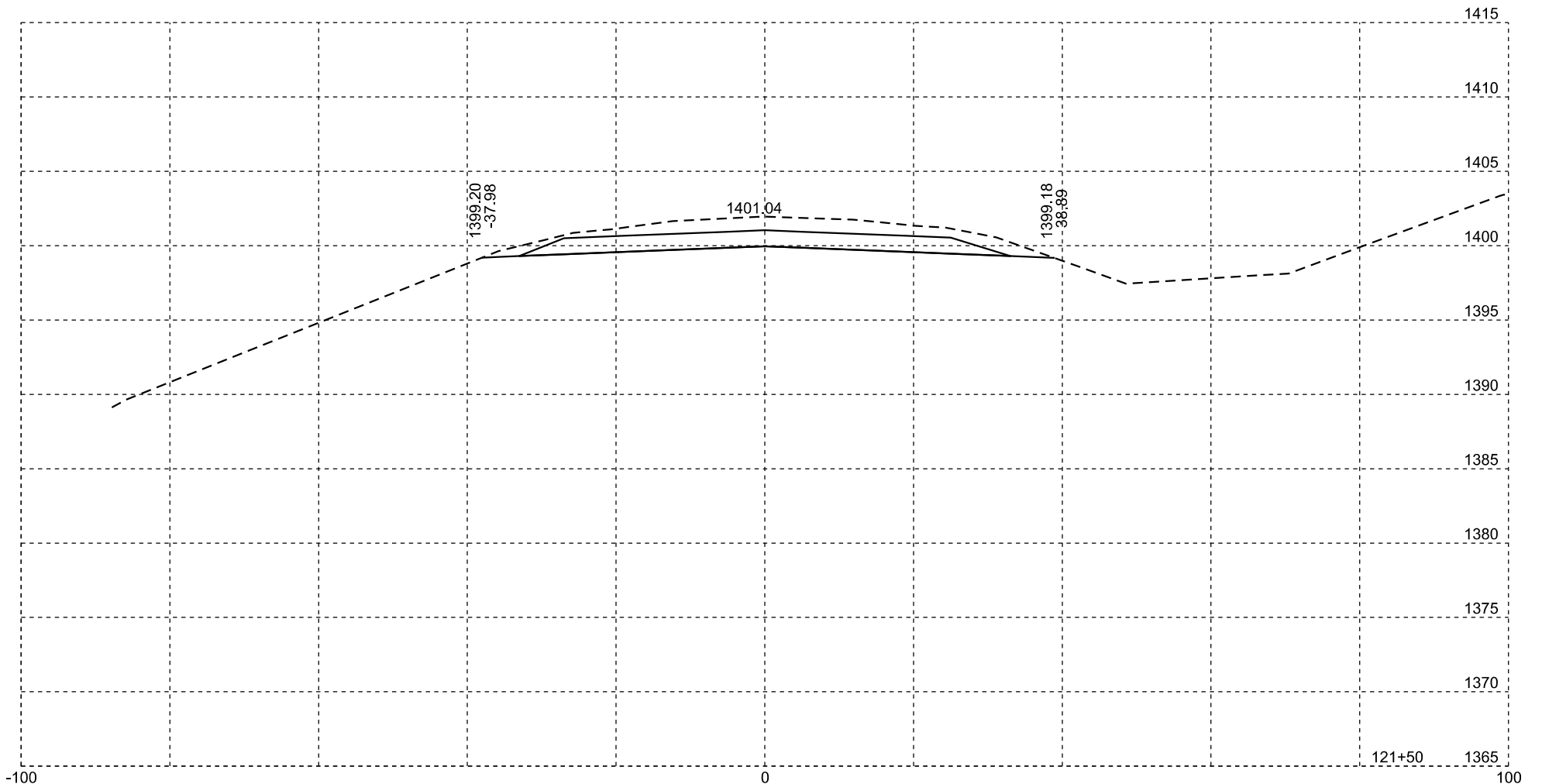
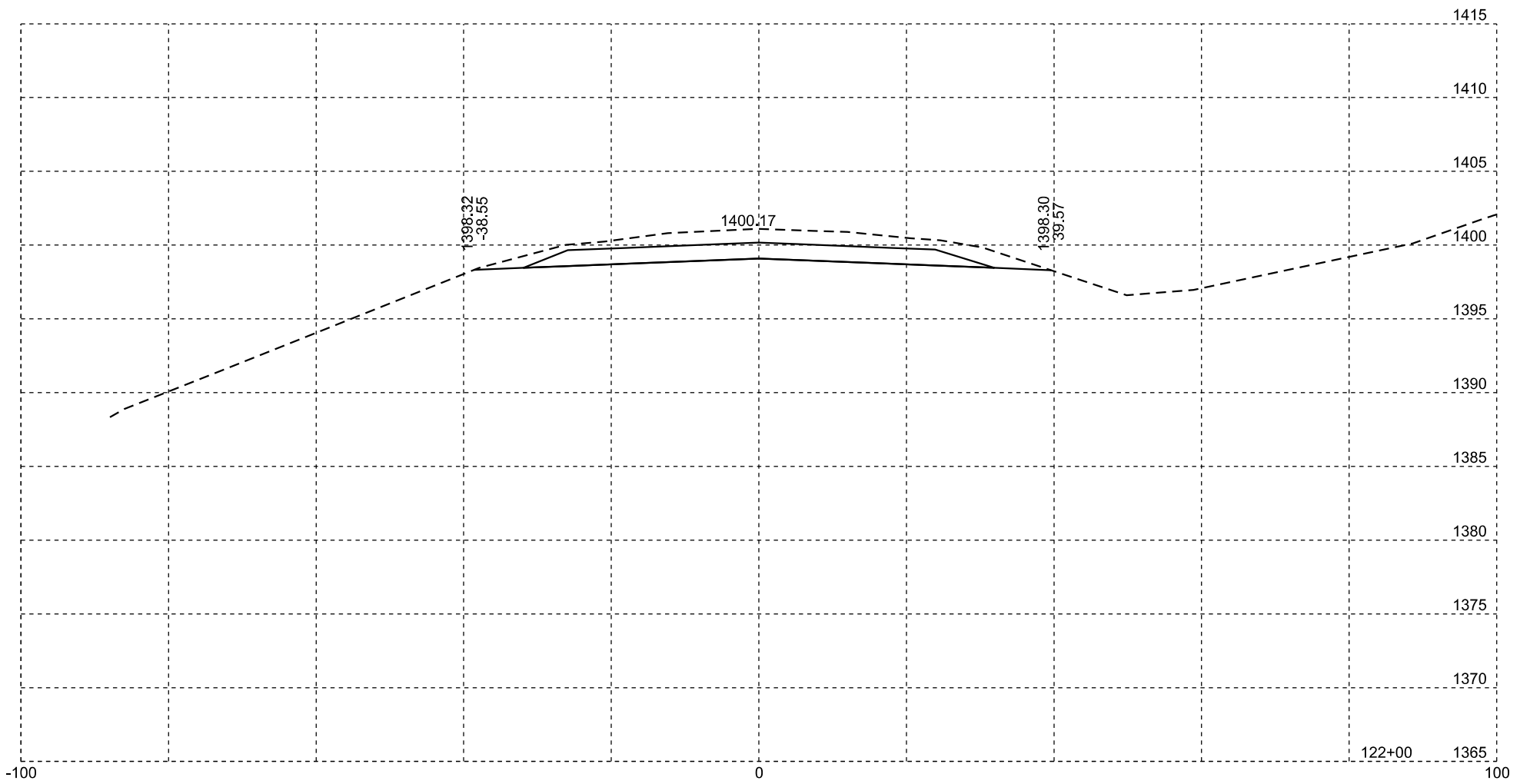
Plotting Date: 09/06/2024

| | | | |
|-----------------------------|-------------------|--------------|-----------------|
| STATE OF SOUTH DAKOTA | PROJECT | SHEET NO. | TOTAL SHEETS |
| | NH-CR 0046(69)288 | X3 | X139 |



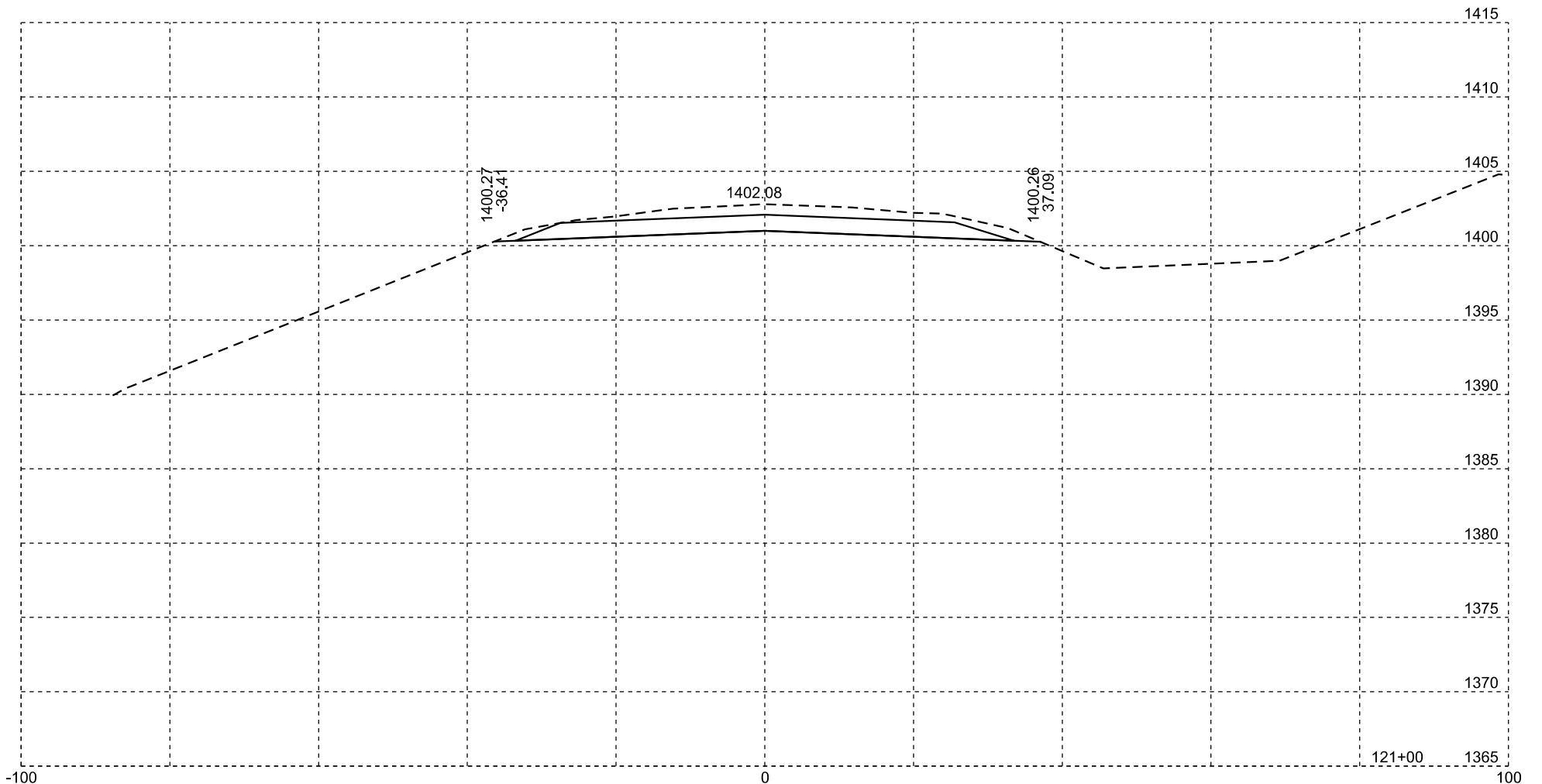
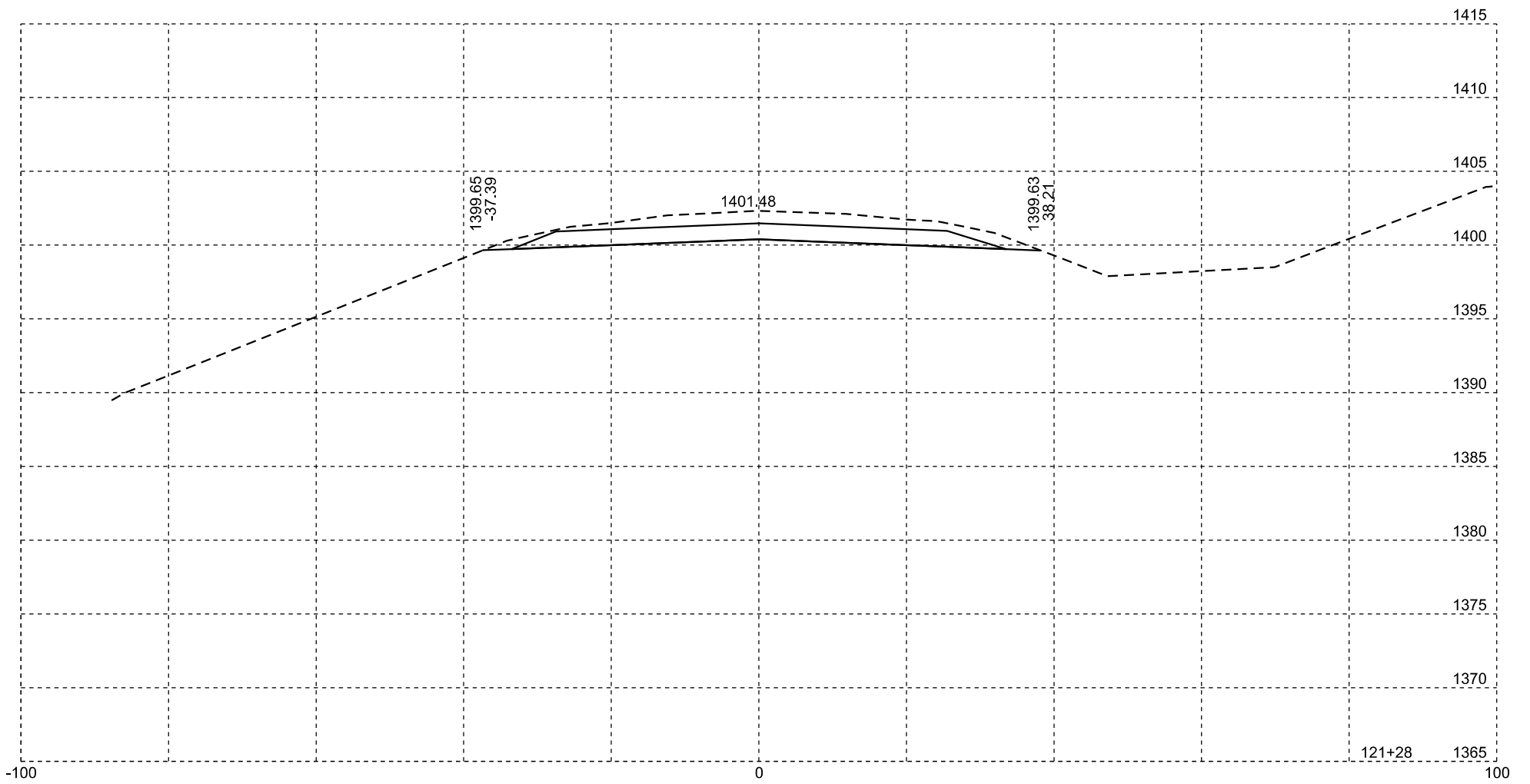
Plotting Date: 09/06/2024

| | | | |
|-----------------------------|-------------------|--------------|-----------------|
| STATE OF SOUTH DAKOTA | PROJECT | SHEET NO. | TOTAL SHEETS |
| | NH-CR 0046(69)288 | X4 | X139 |



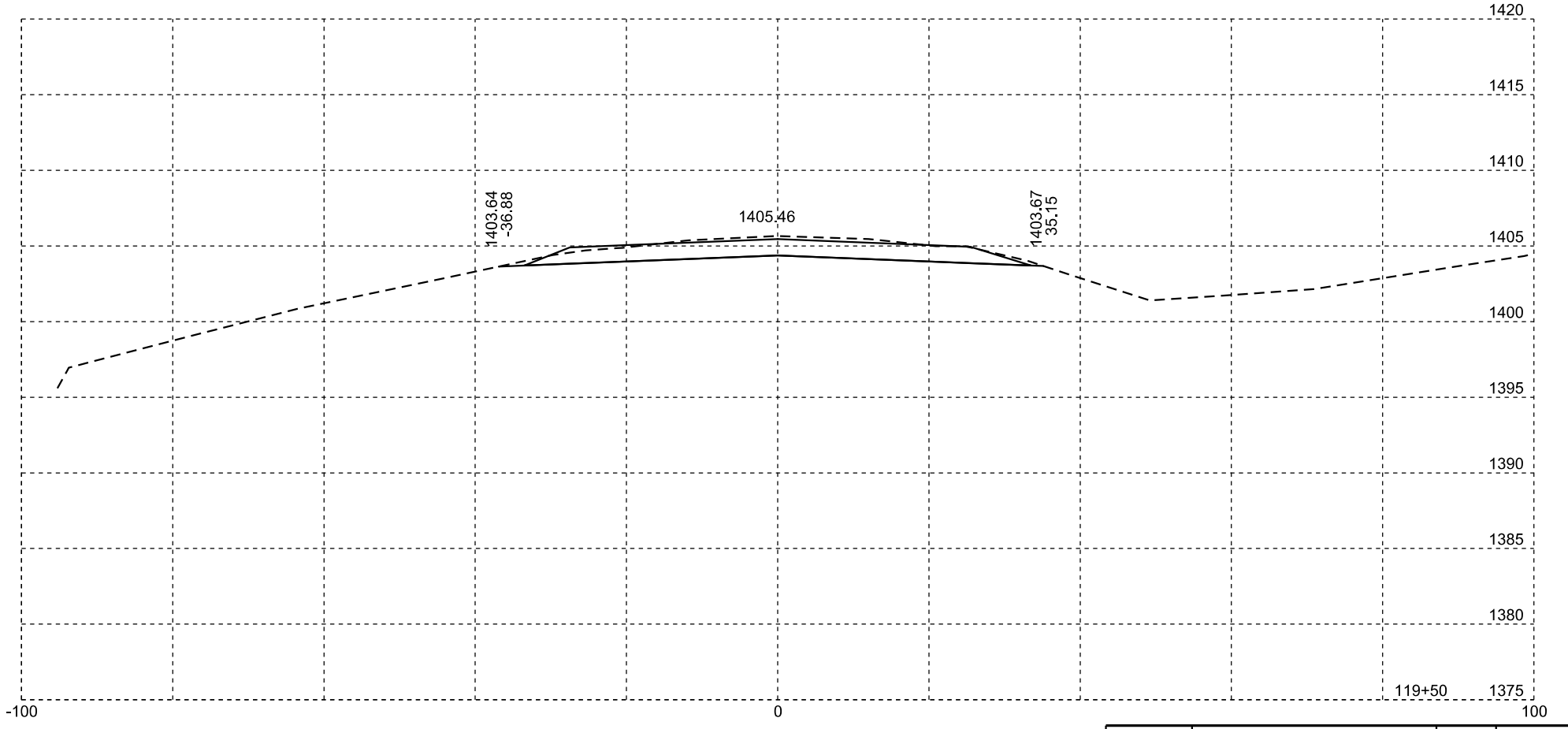
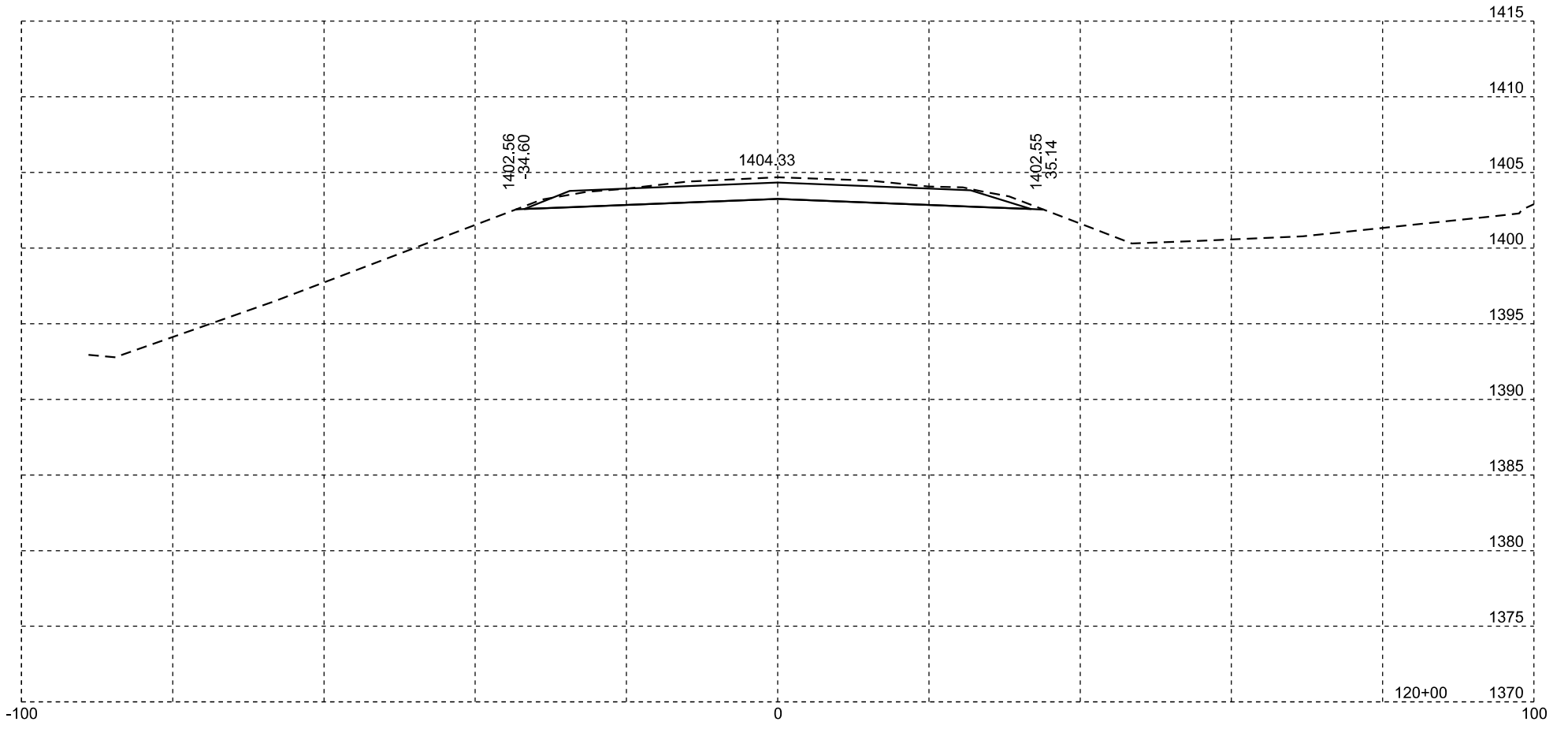
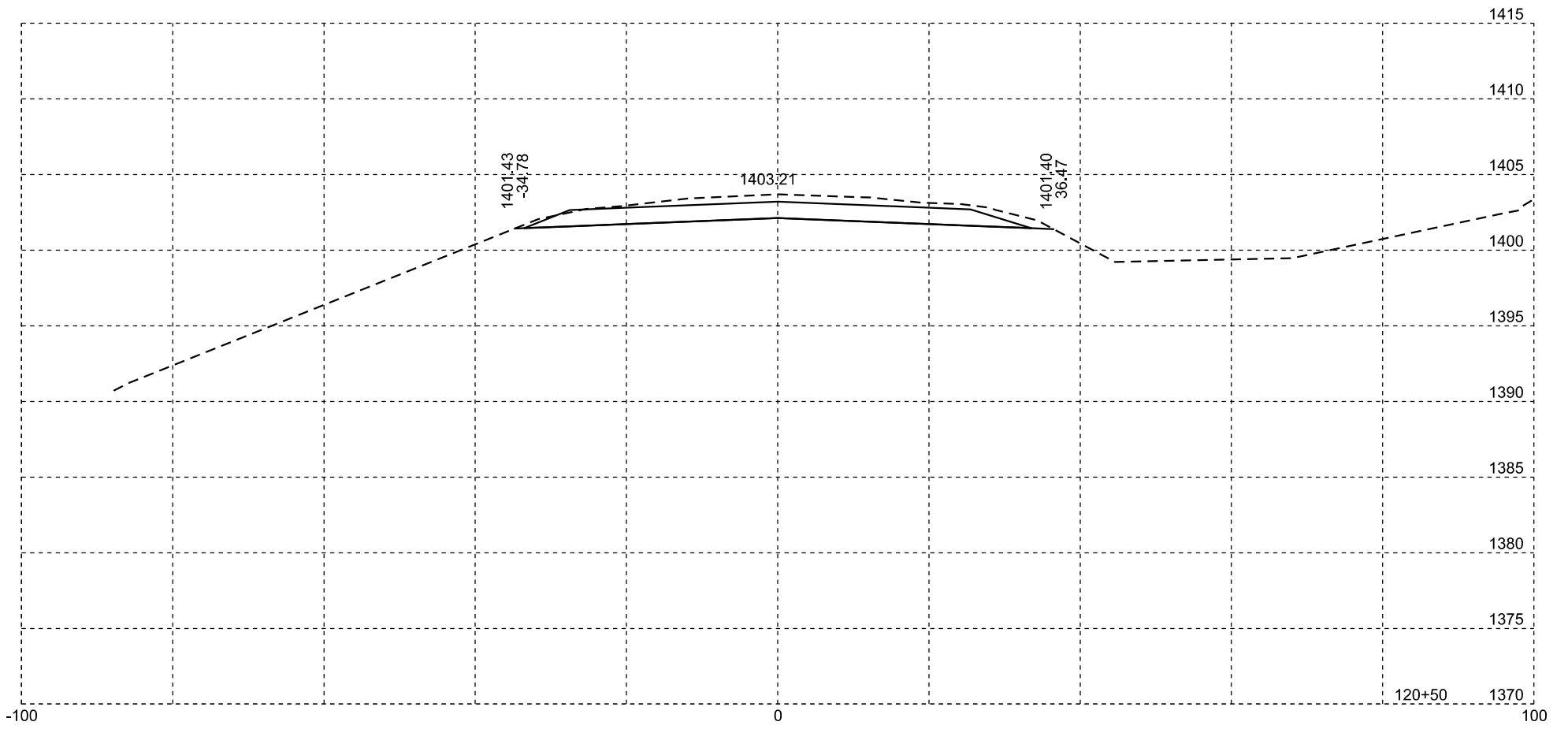
Plotting Date: 09/06/2024

| | | | |
|-----------------------------|-------------------|--------------|-----------------|
| STATE OF SOUTH DAKOTA | PROJECT | SHEET NO. | TOTAL SHEETS |
| | NH-CR 0046(69)288 | X5 | X139 |



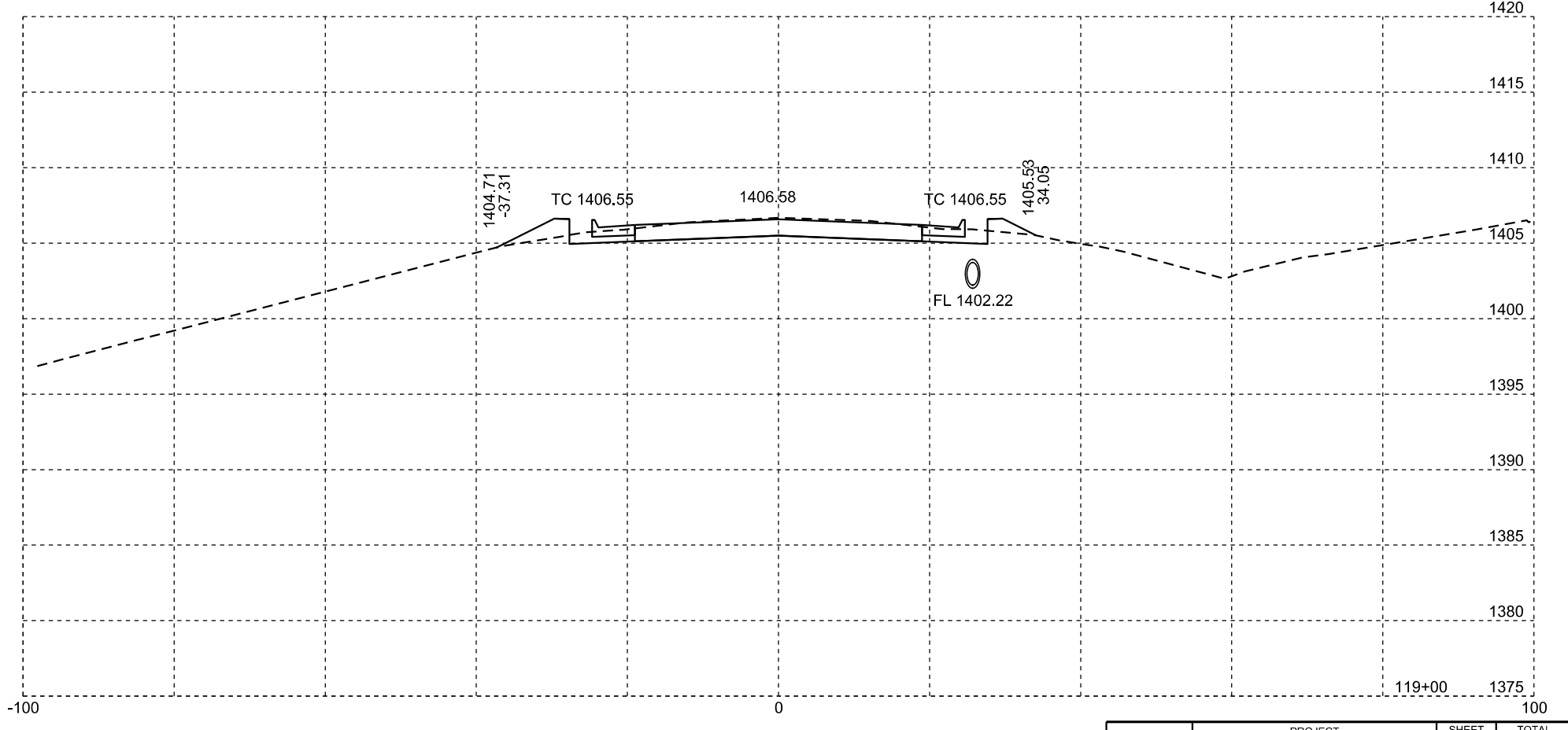
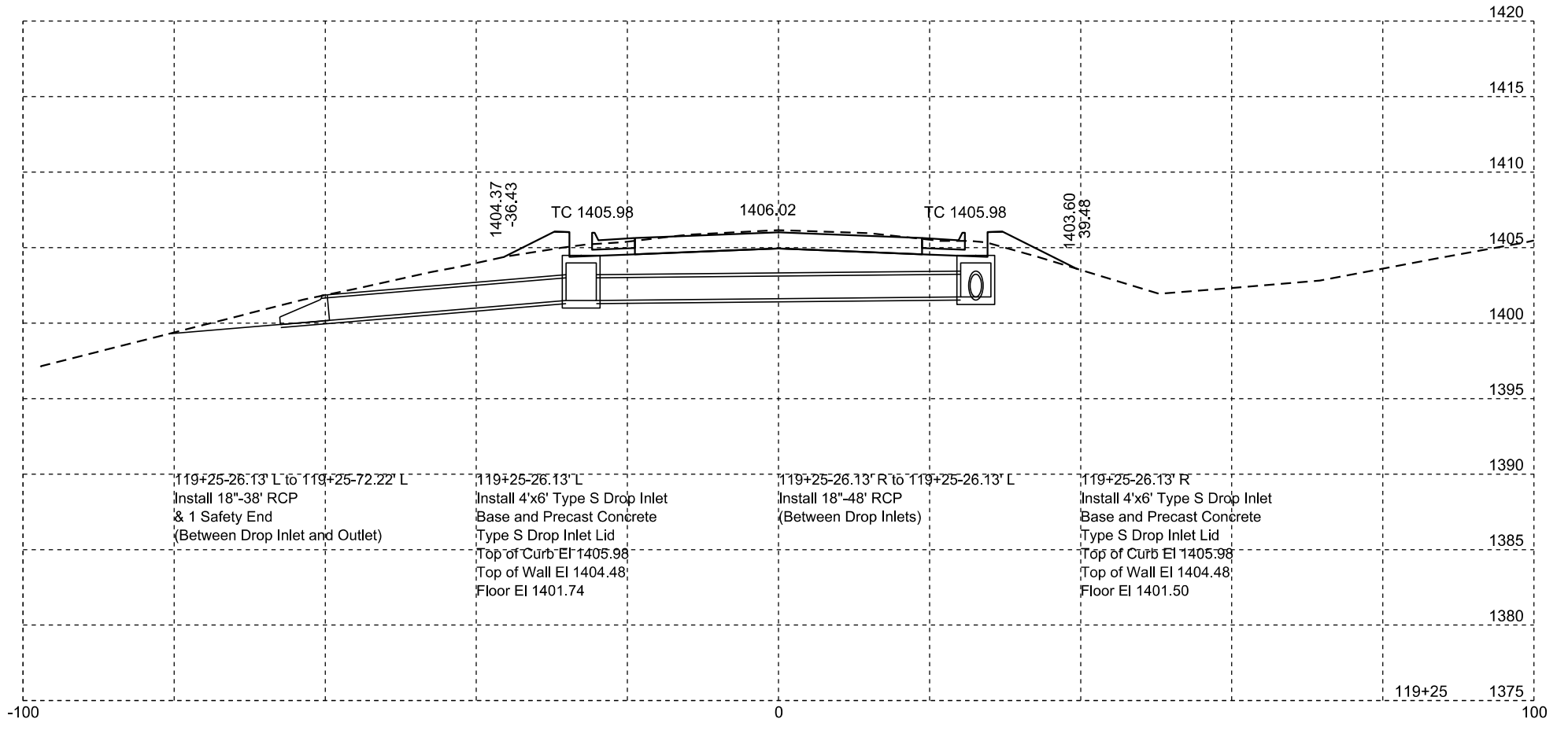
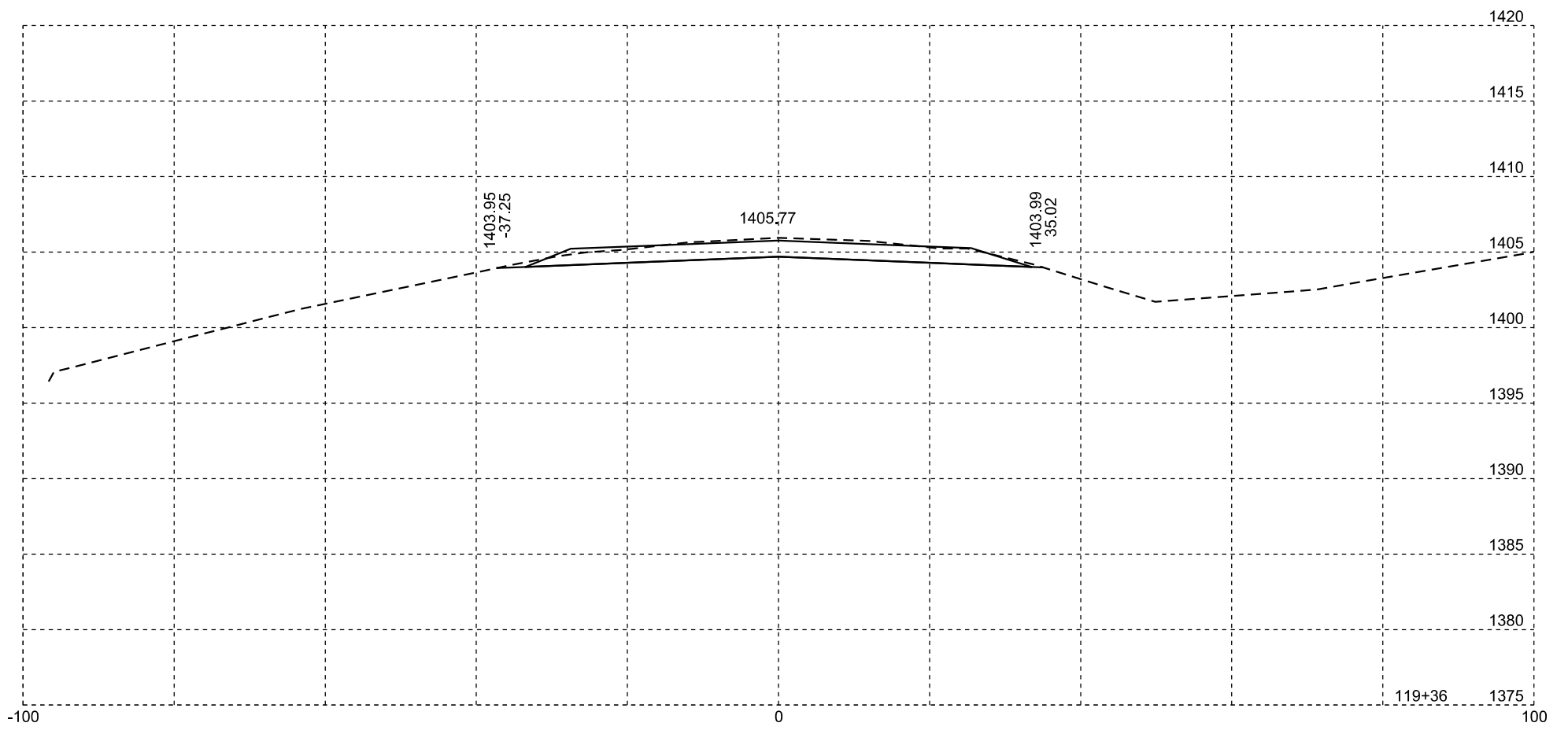
Plotting Date: 09/06/2024

| | | | |
|-----------------------------|-------------------|--------------|-----------------|
| STATE OF SOUTH DAKOTA | PROJECT | SHEET NO. | TOTAL SHEETS |
| | NH-CR 0046(69)288 | X6 | X139 |



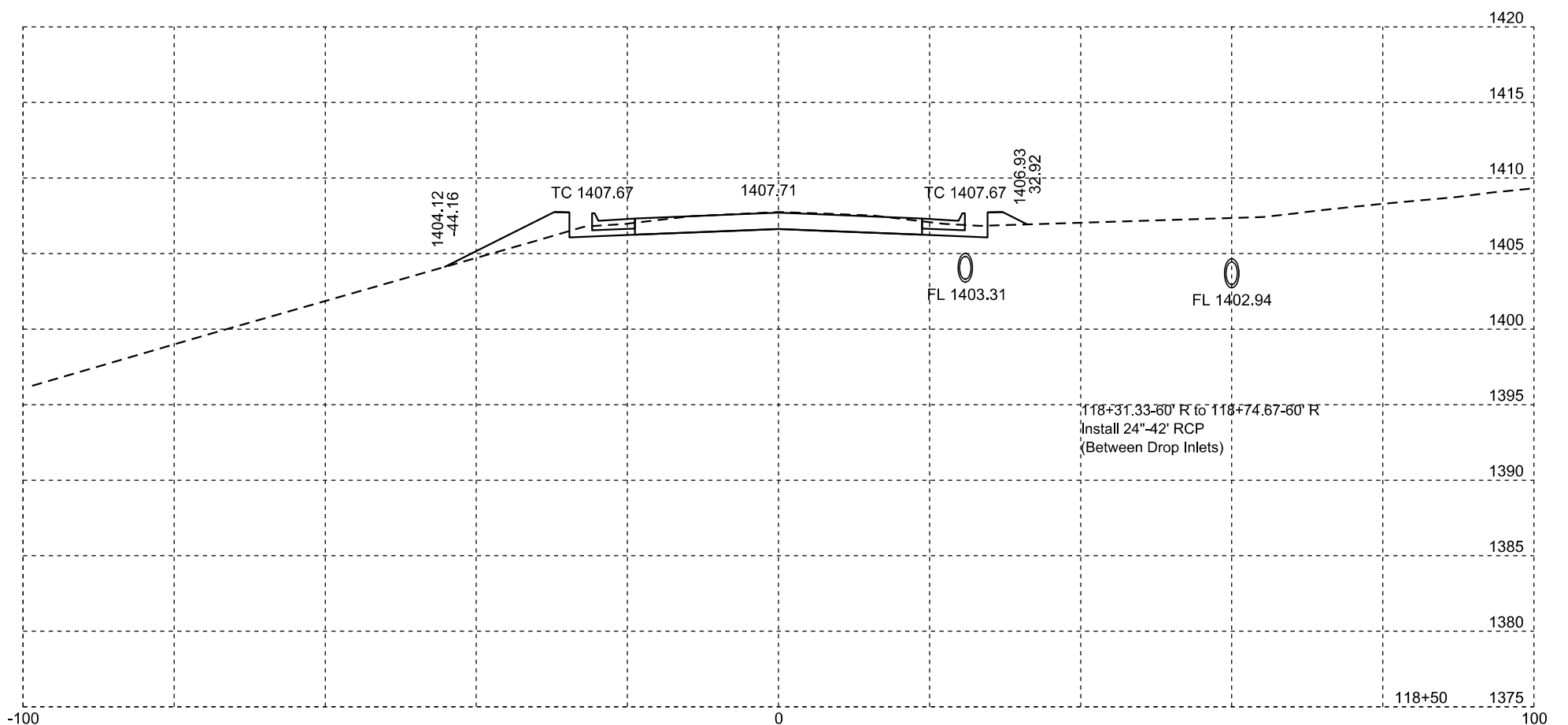
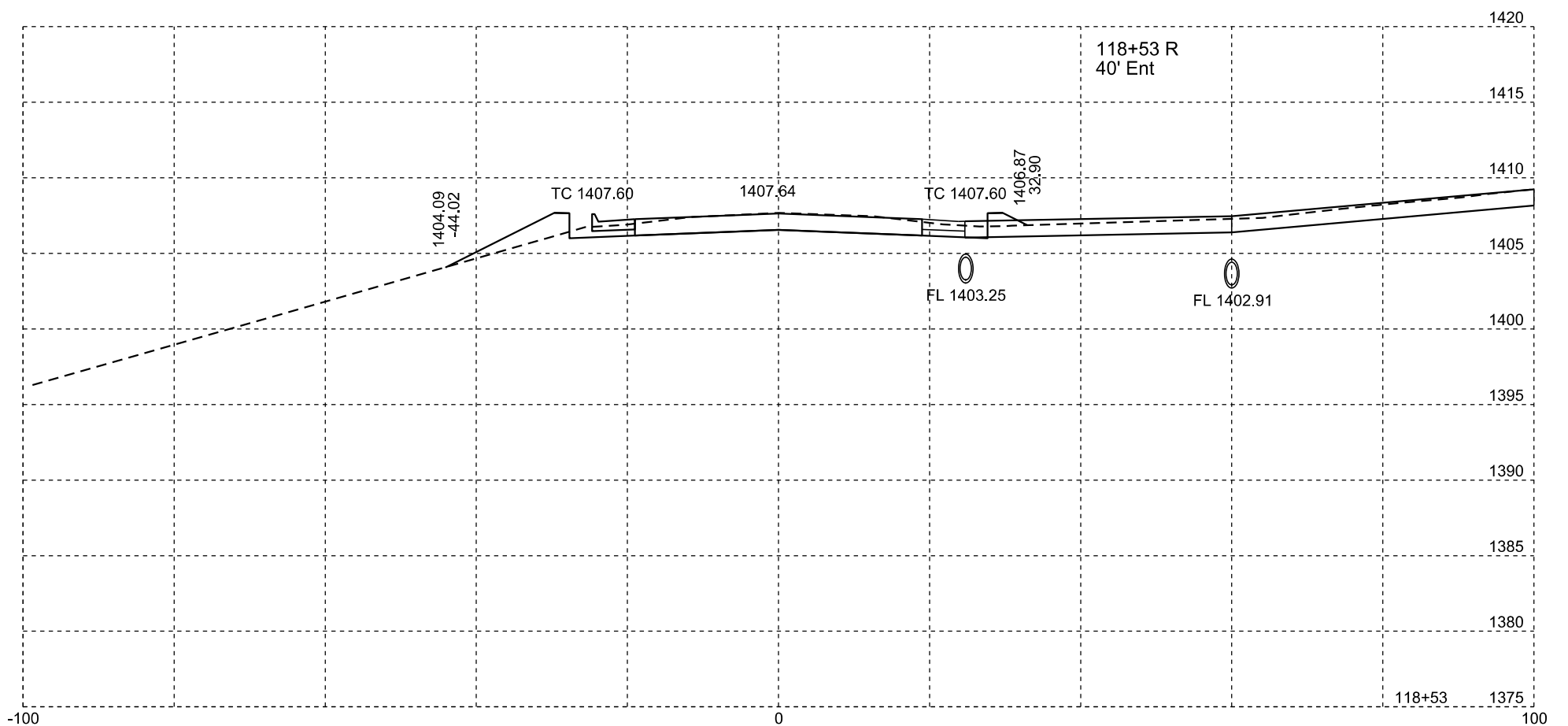
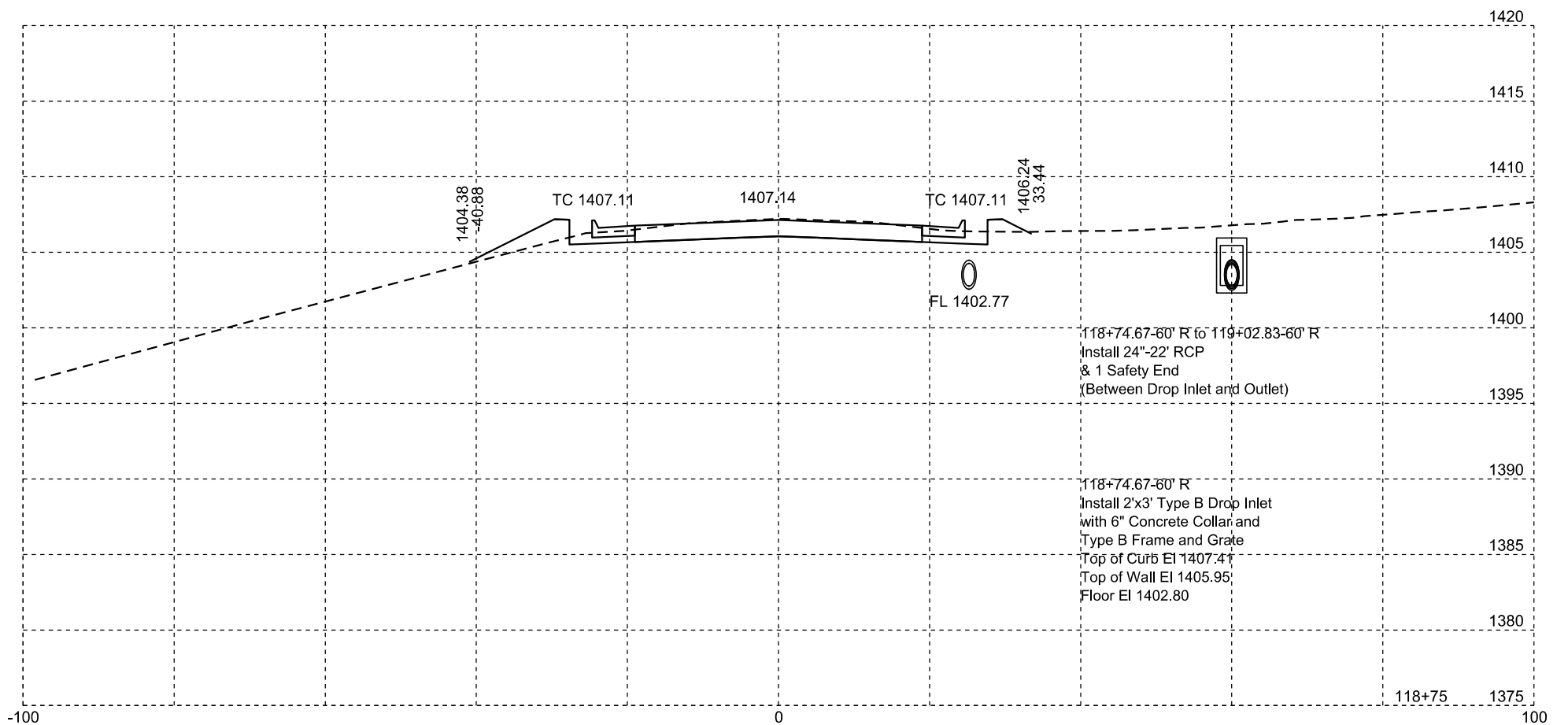
Plotting Date: 09/06/2024

| | | | |
|-----------------------------|-------------------|--------------|-----------------|
| STATE OF SOUTH DAKOTA | PROJECT | SHEET NO. | TOTAL SHEETS |
| | NH-CR 0046(69)288 | X7 | X139 |



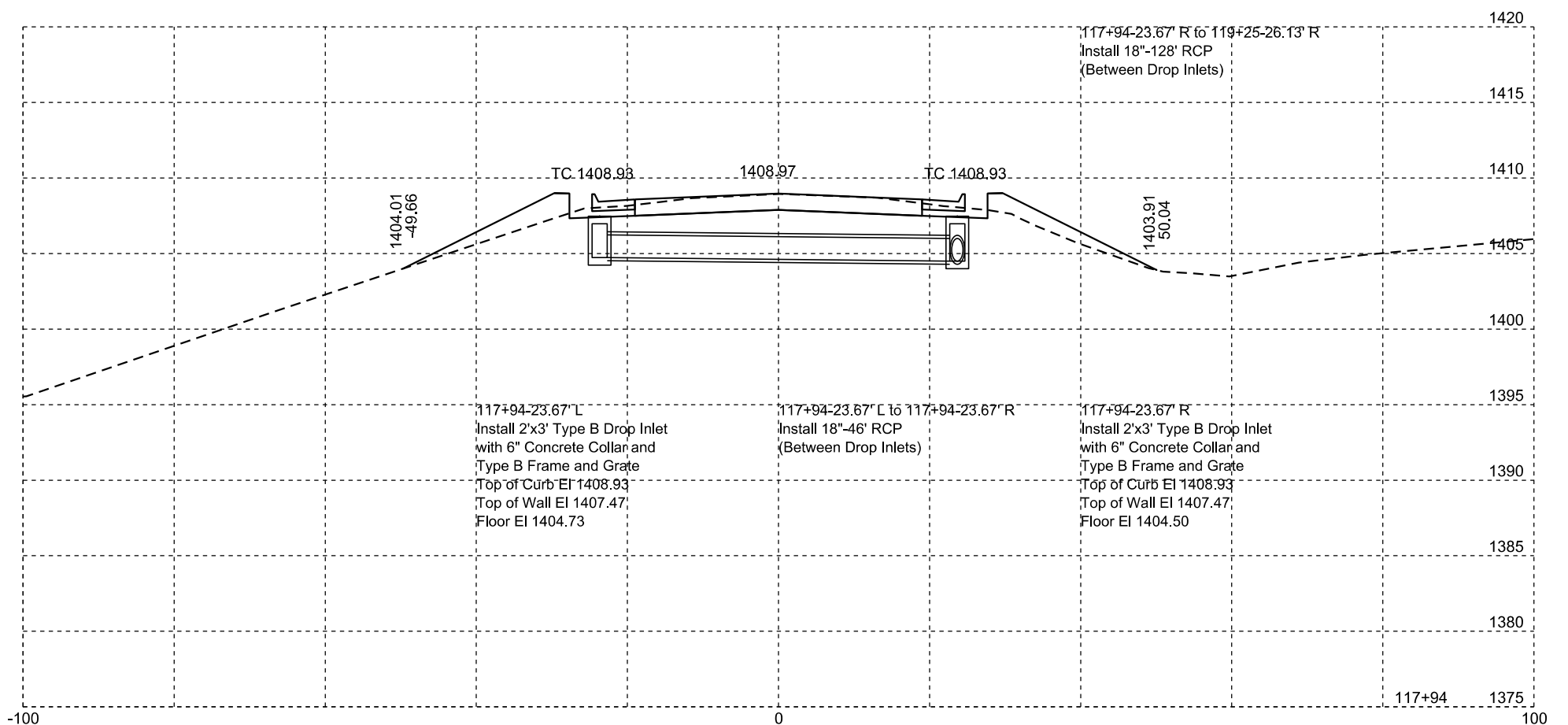
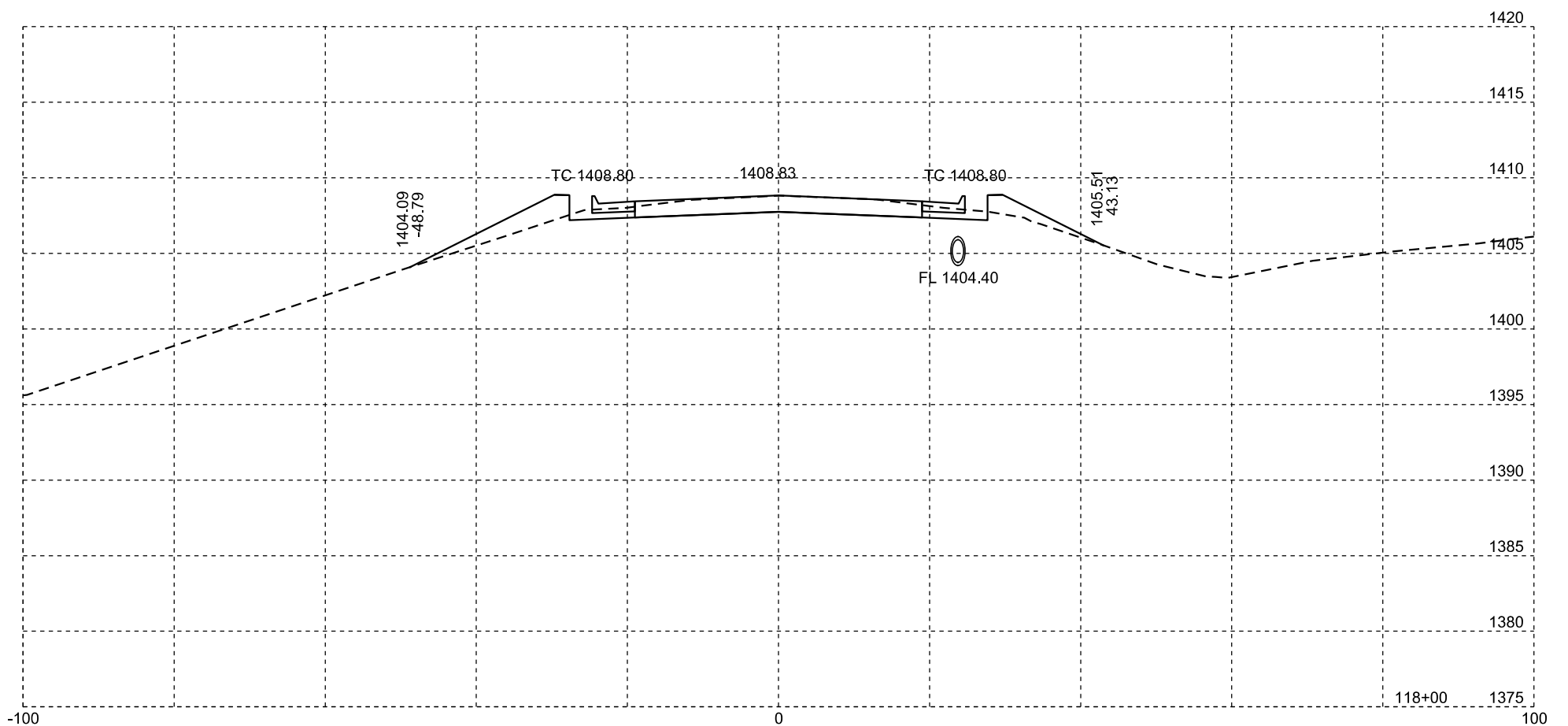
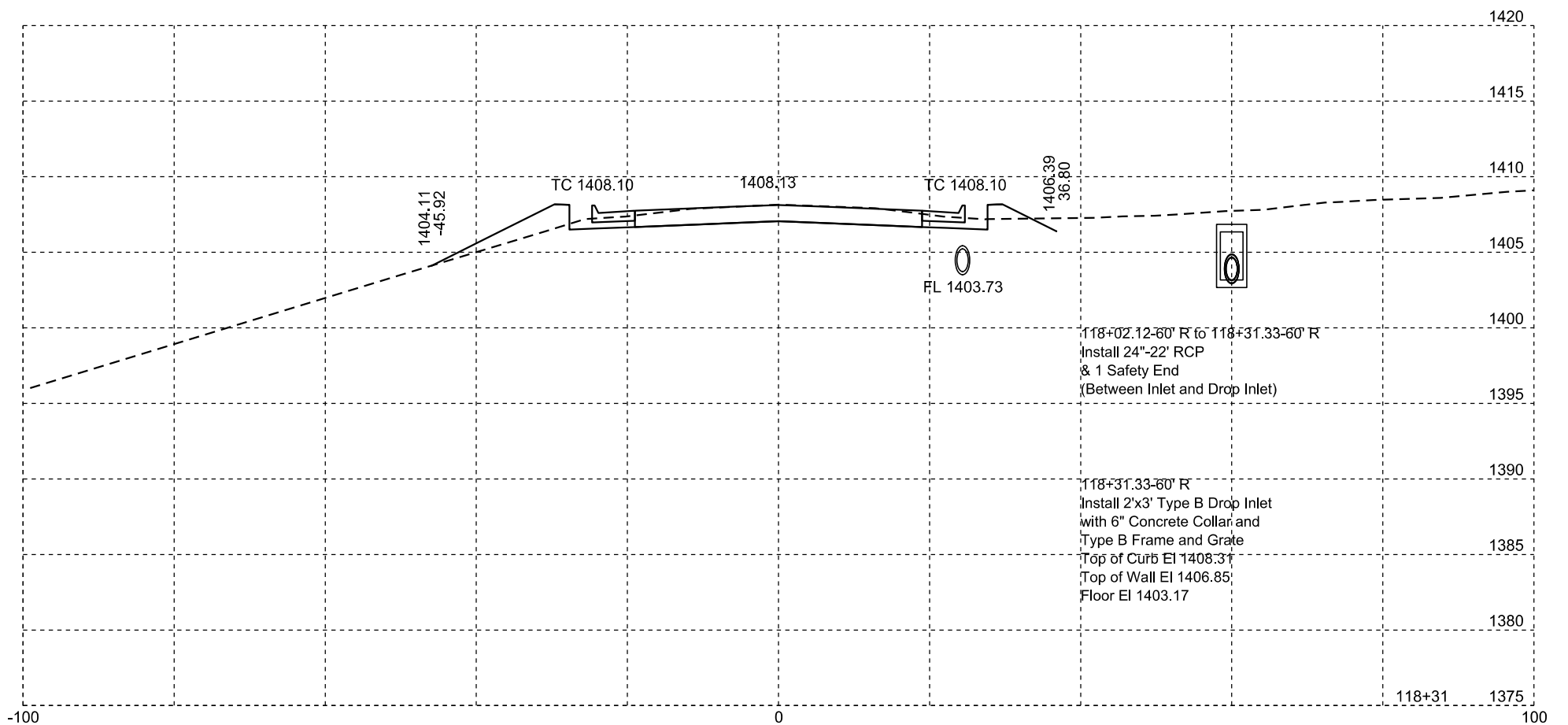
Plotting Date: 09/06/2024

| | | | |
|-----------------------------|-------------------|--------------|-----------------|
| STATE OF SOUTH DAKOTA | PROJECT | SHEET NO. | TOTAL SHEETS |
| | NH-CR 0046(69)288 | X8 | X139 |



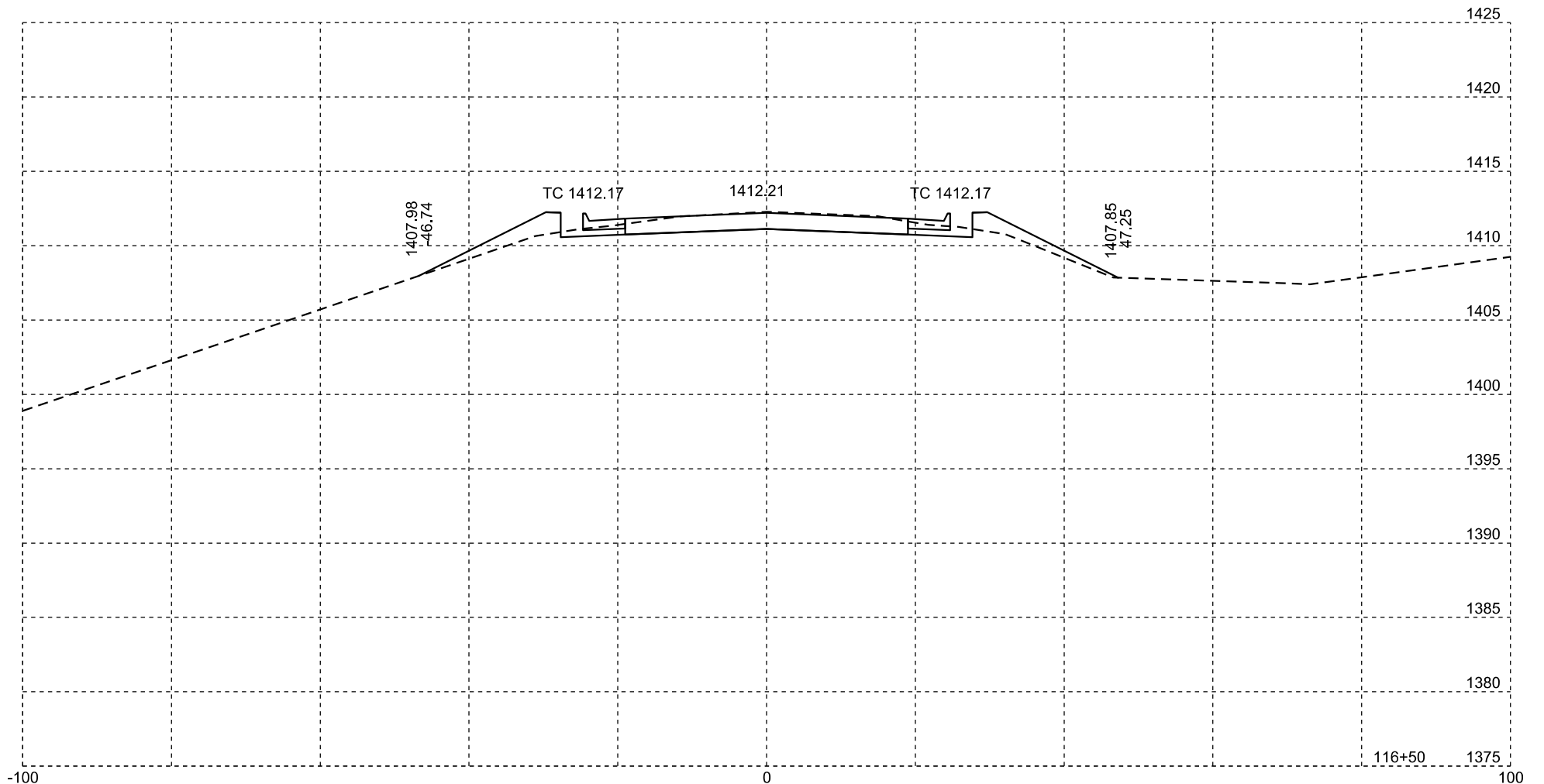
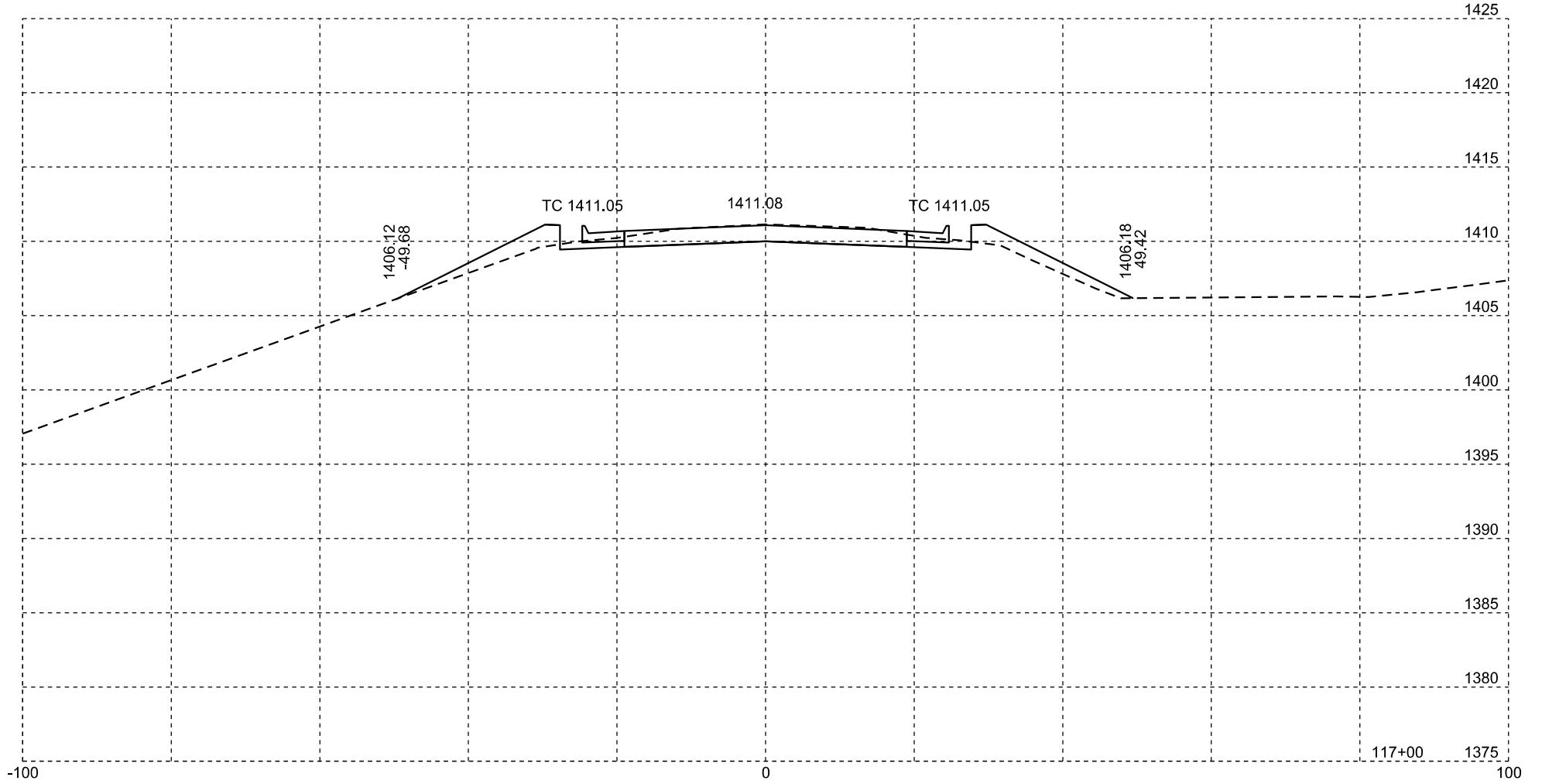
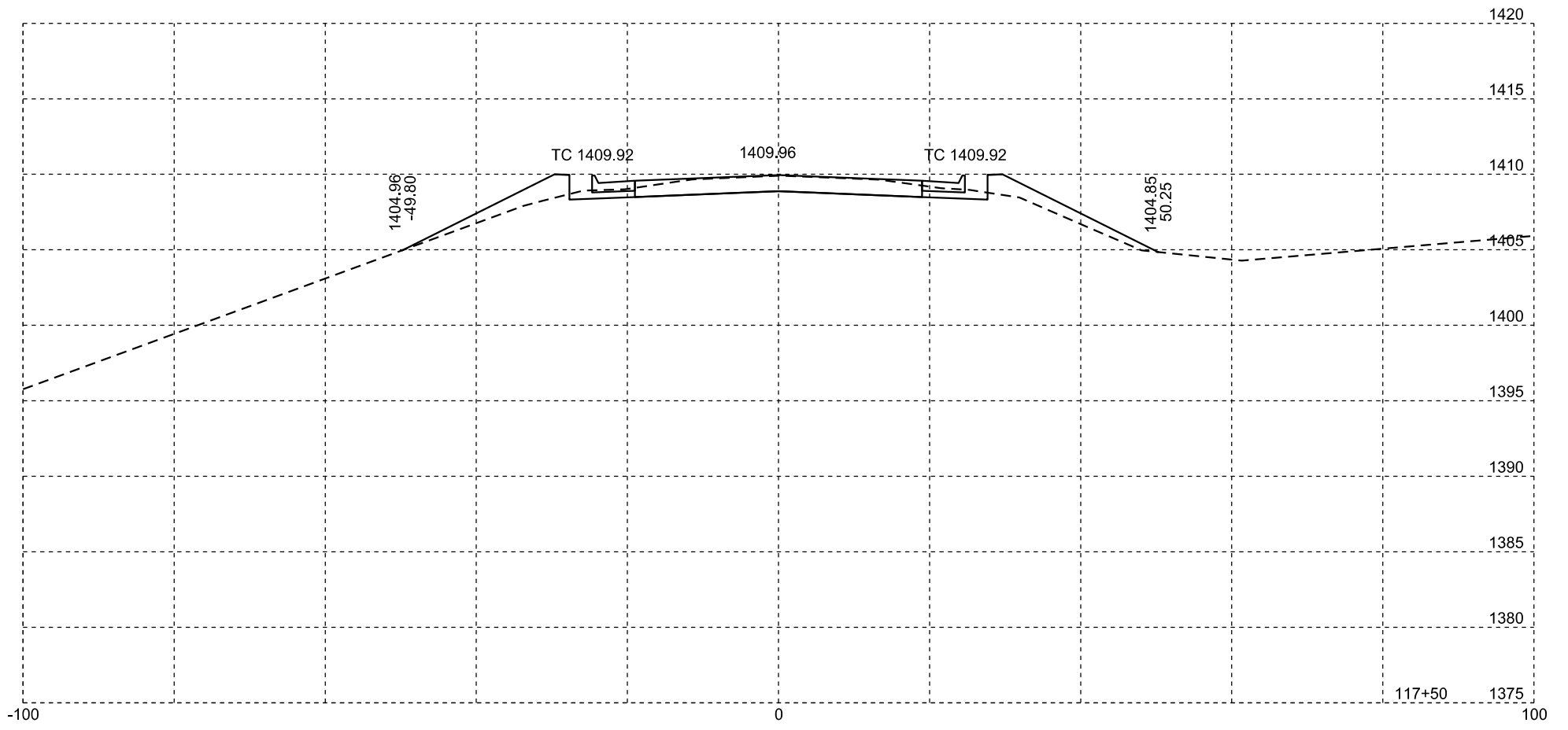
Plotting Date: 09/06/2024

| | | | |
|-----------------------------|-------------------|--------------|-----------------|
| STATE OF SOUTH DAKOTA | PROJECT | SHEET NO. | TOTAL SHEETS |
| | NH-CR 0046(69)288 | X9 | X139 |



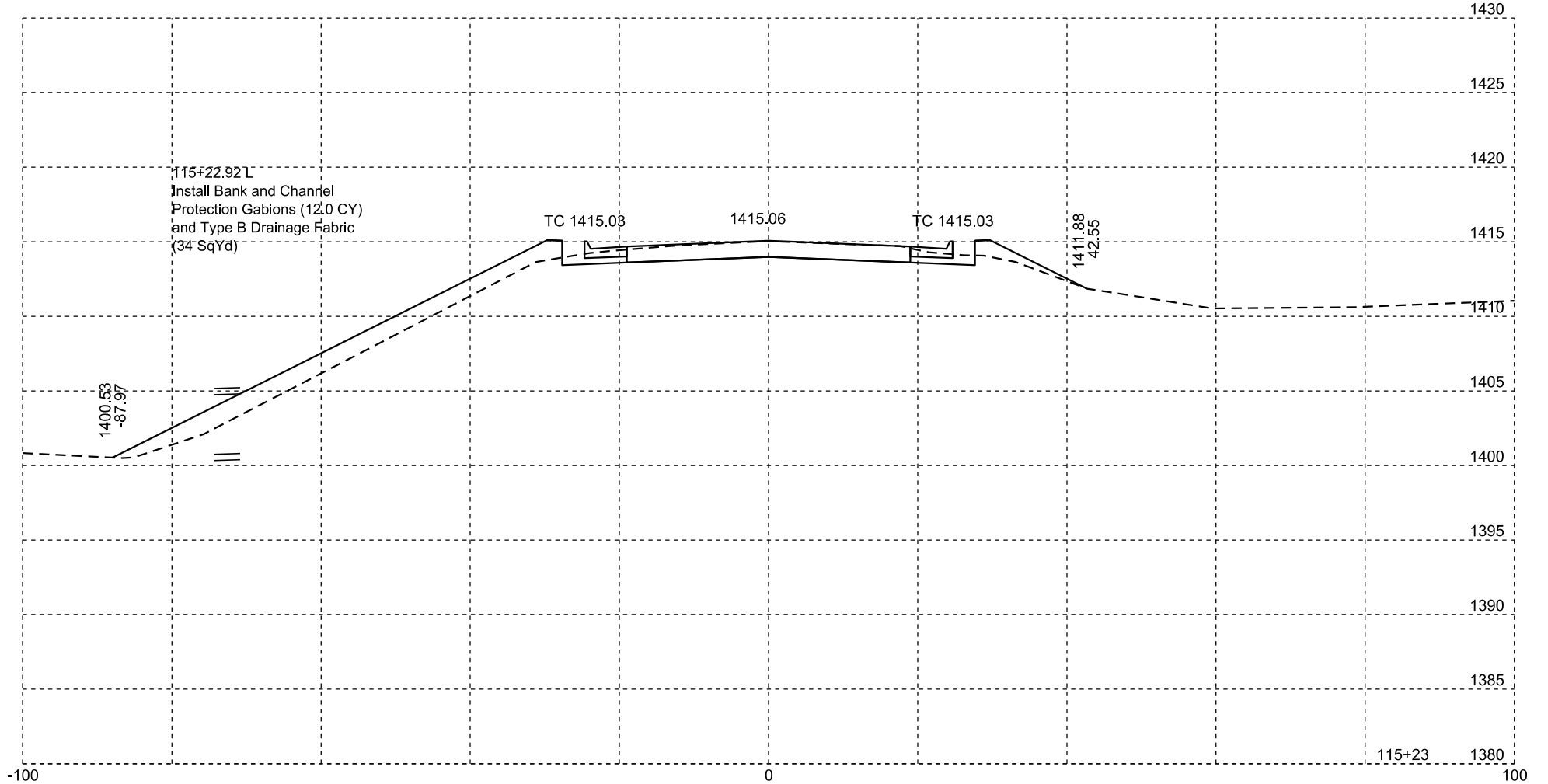
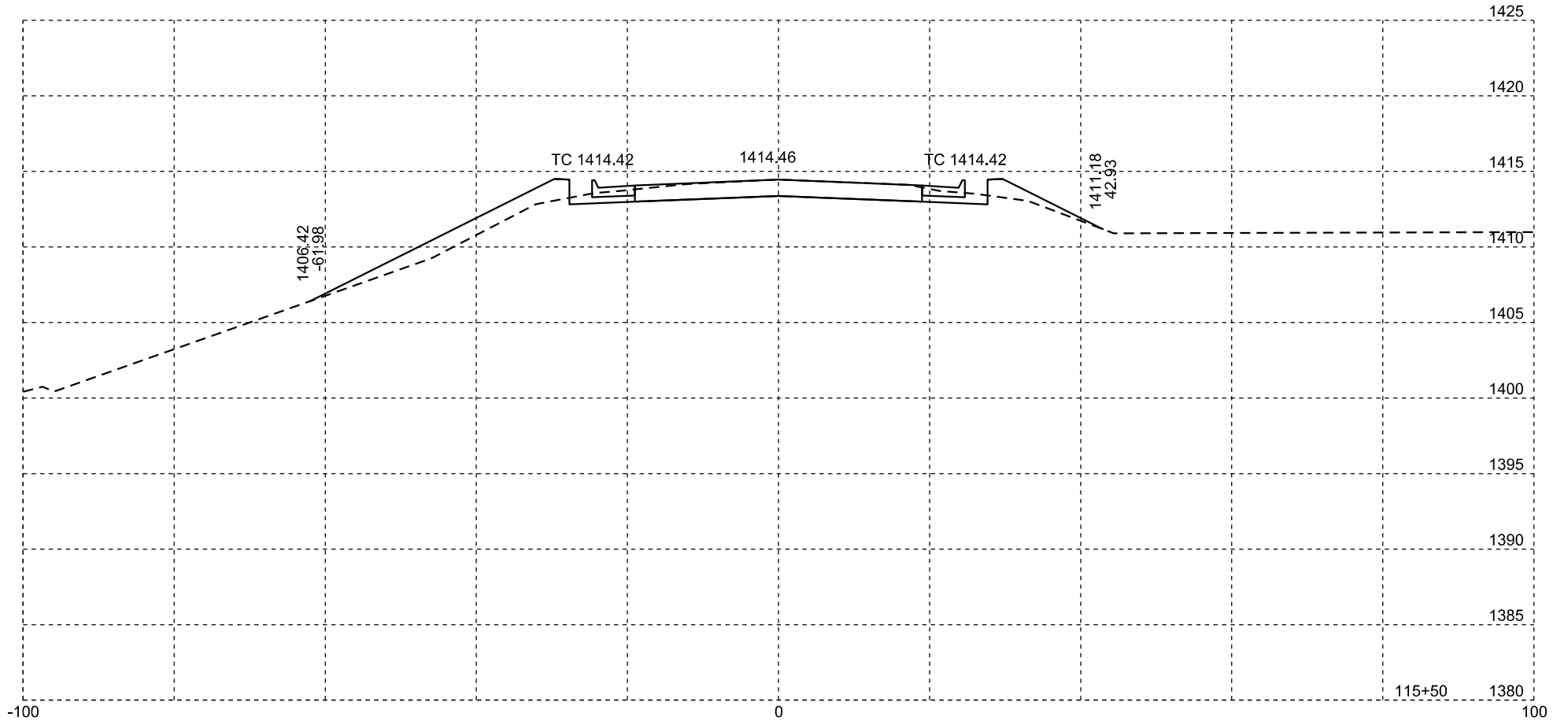
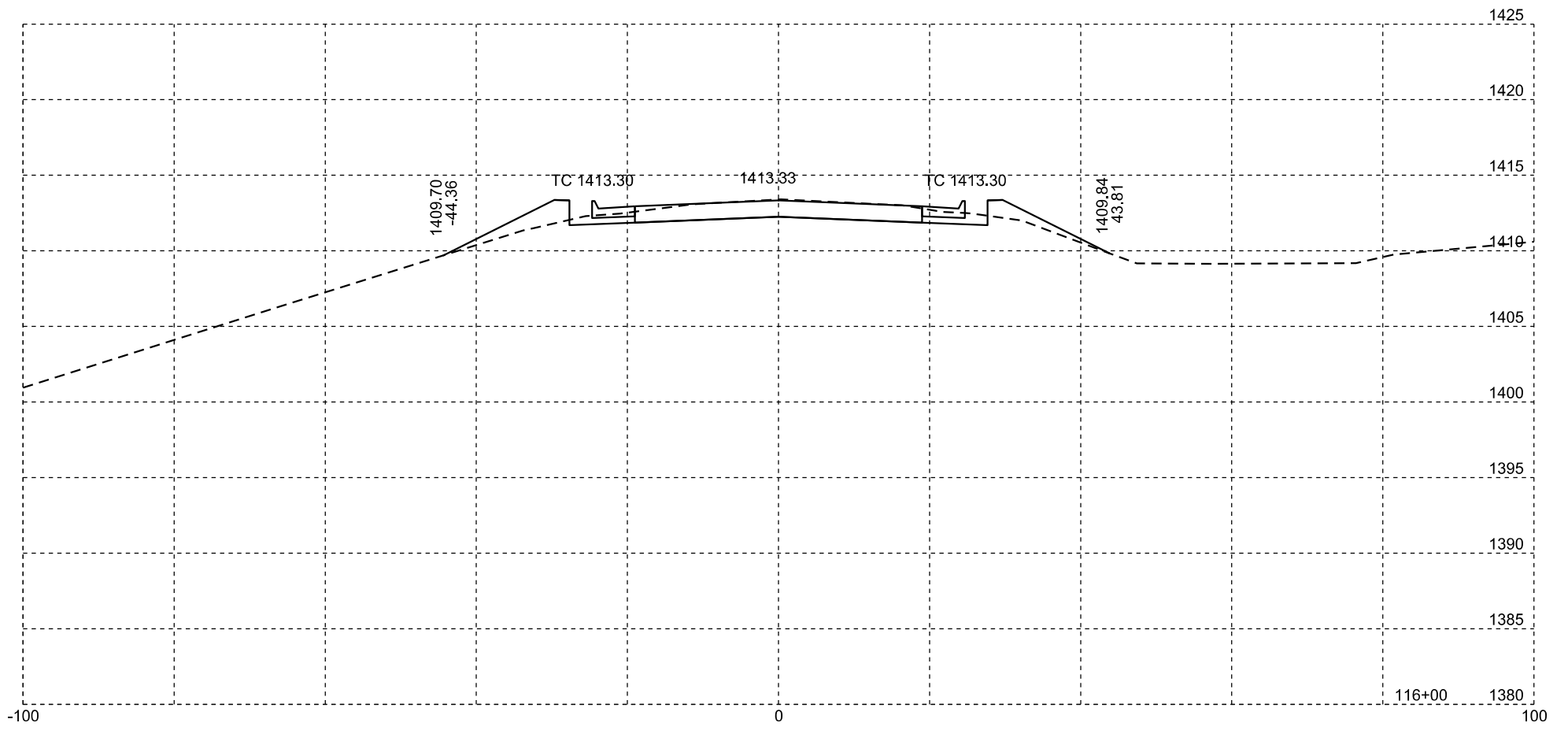
Plotting Date: 09/06/2024

| | | | |
|-----------------------------|-------------------|--------------|-----------------|
| STATE OF SOUTH DAKOTA | PROJECT | SHEET NO. | TOTAL SHEETS |
| | NH-CR 0046(69)288 | X10 | X139 |



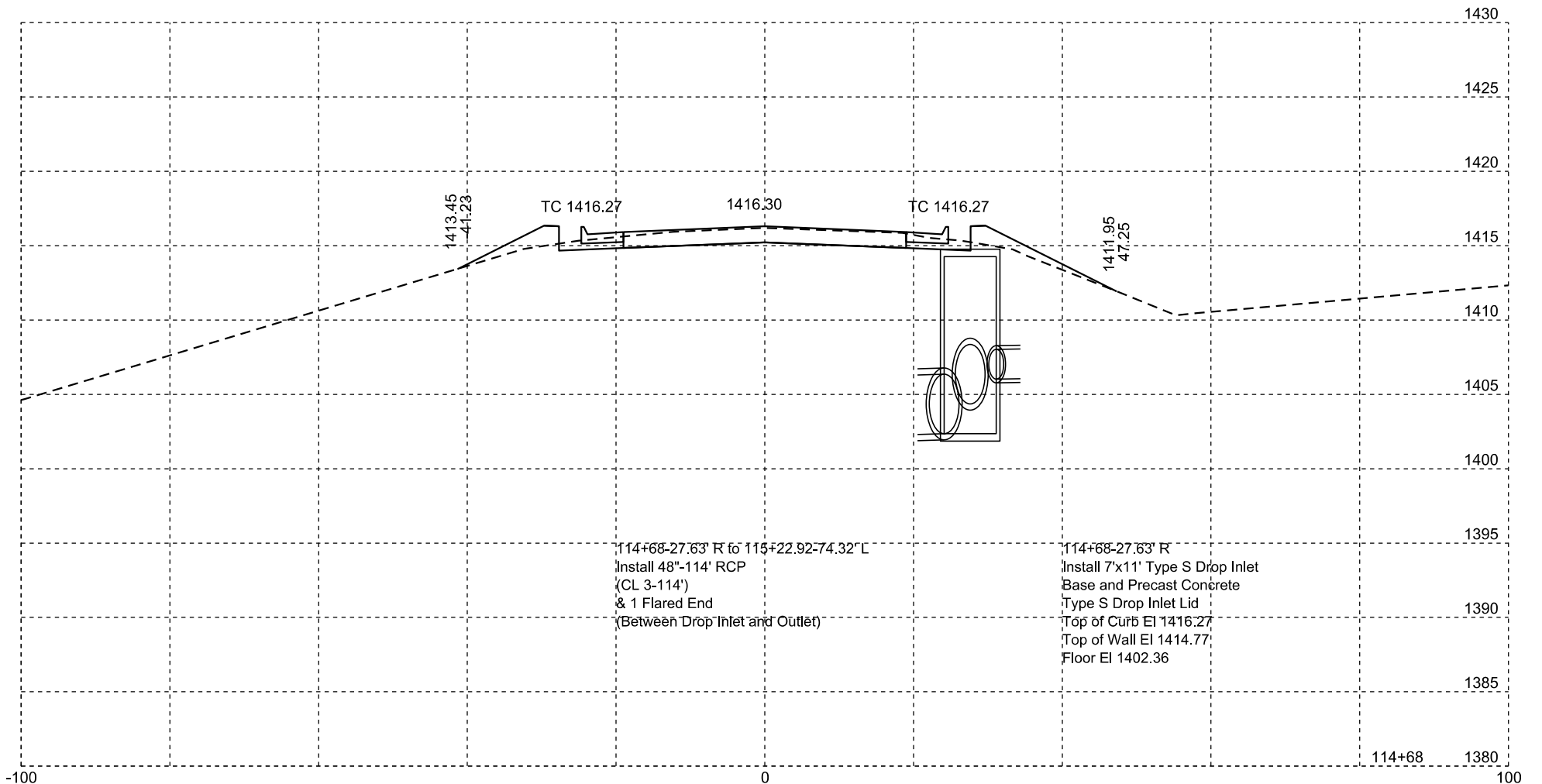
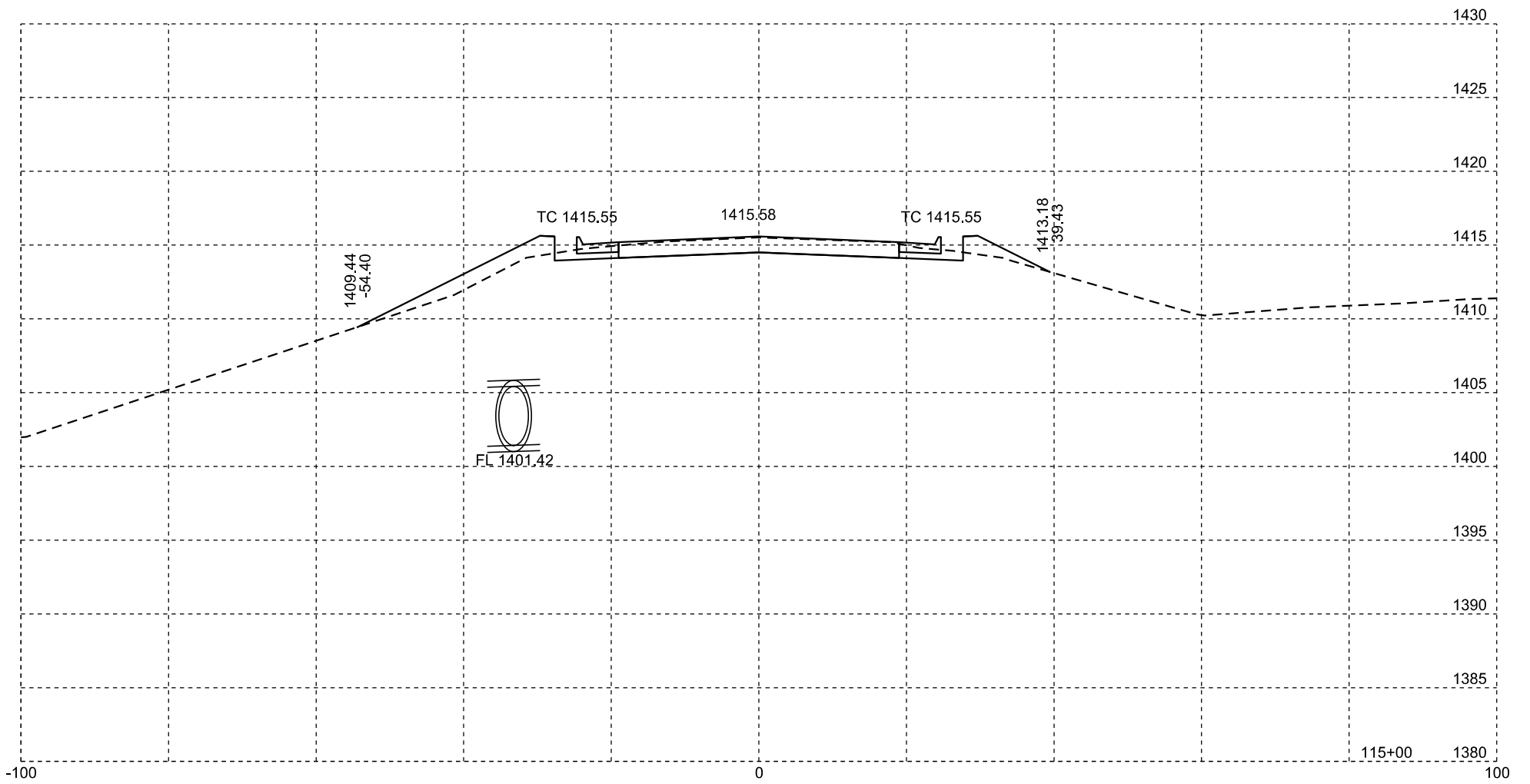
Plotting Date: 09/06/2024

| STATE OF SOUTH DAKOTA | PROJECT | SHEET NO. | TOTAL SHEETS |
|-----------------------|-------------------|-----------|--------------|
| | NH-CR 0046(69)288 | X11 | X139 |



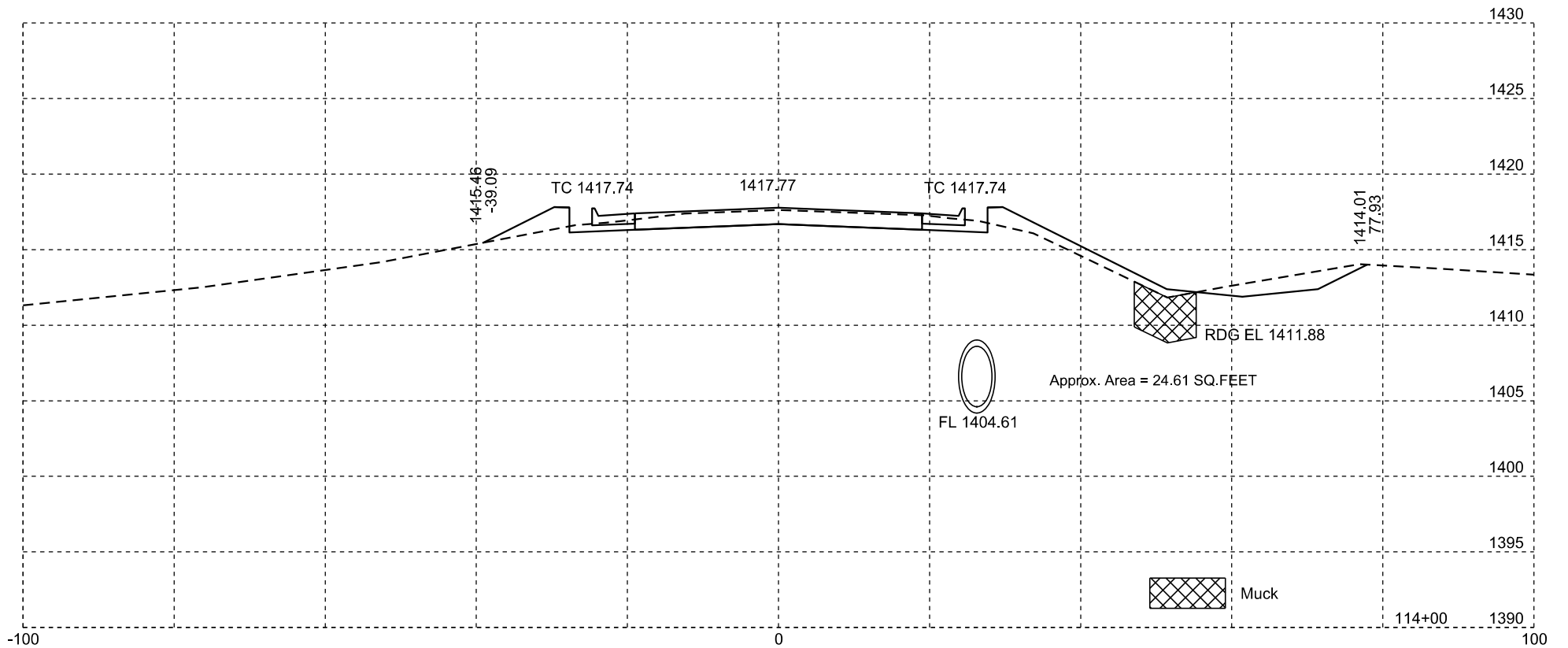
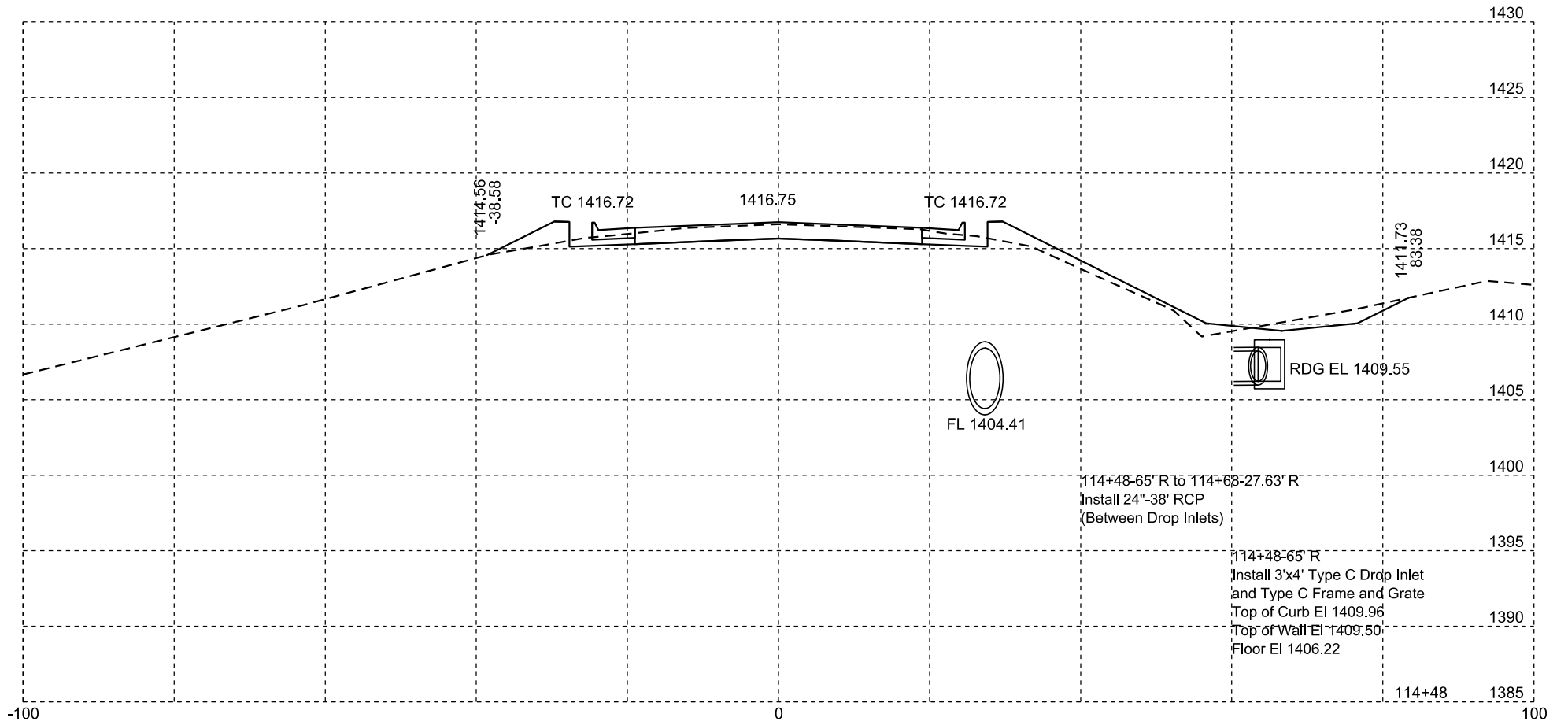
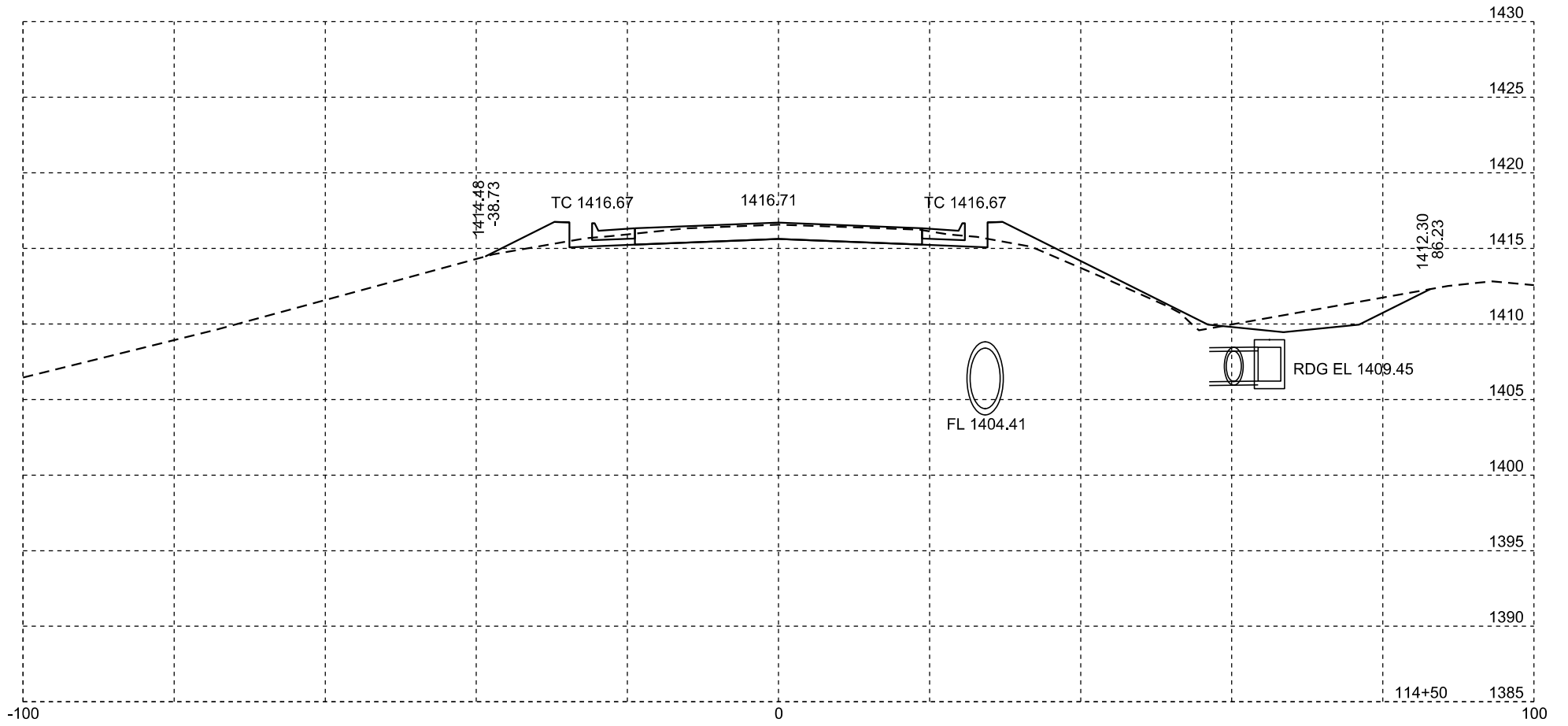
Plotting Date: 09/06/2024

| | | | |
|-----------------------------|-------------------|--------------|-----------------|
| STATE OF SOUTH DAKOTA | PROJECT | SHEET NO. | TOTAL SHEETS |
| | NH-CR 0046(69)288 | X12 | X139 |



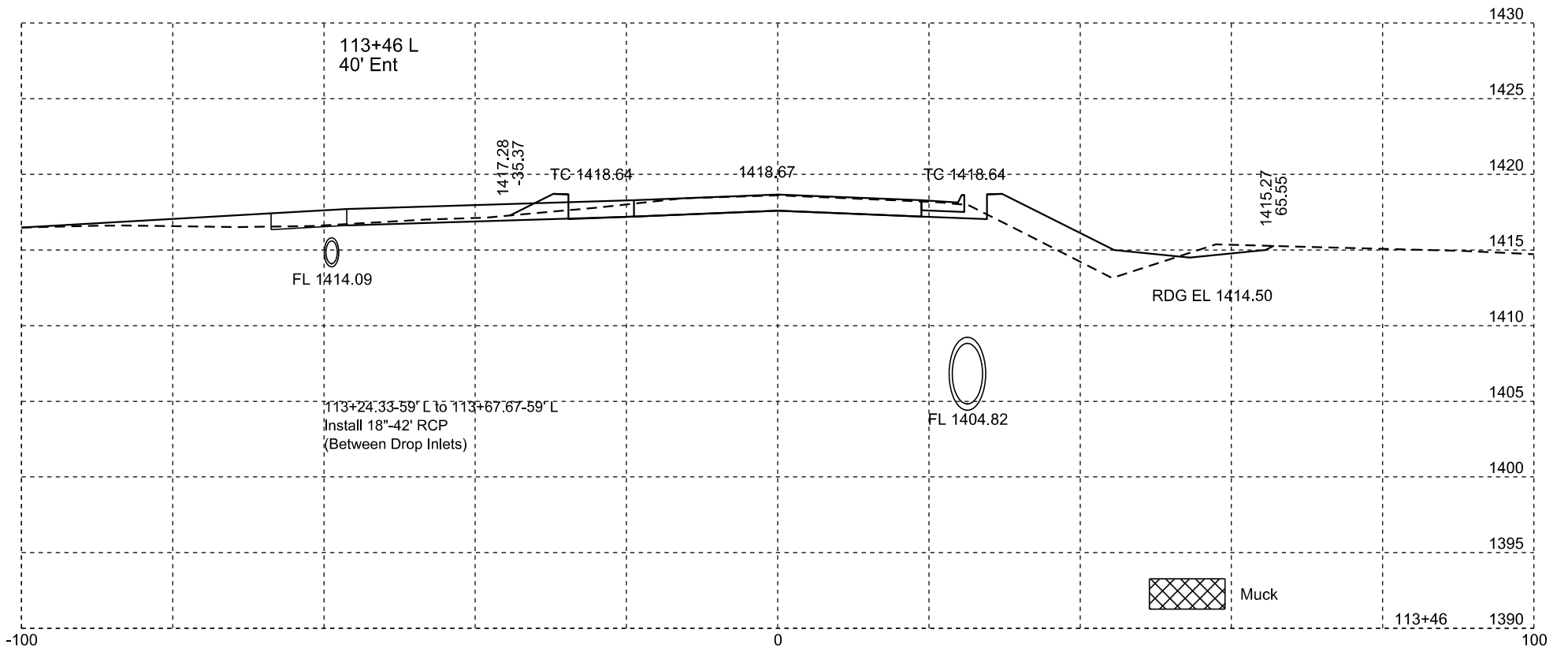
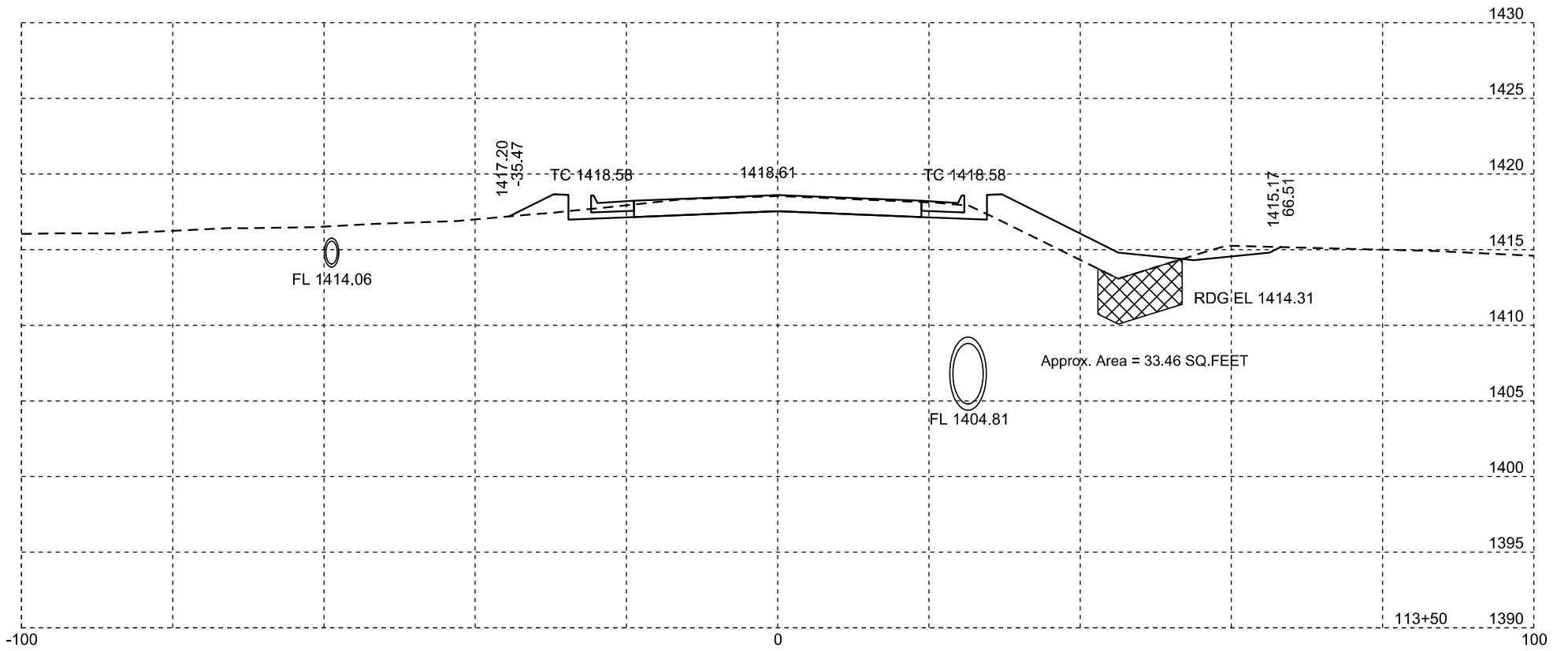
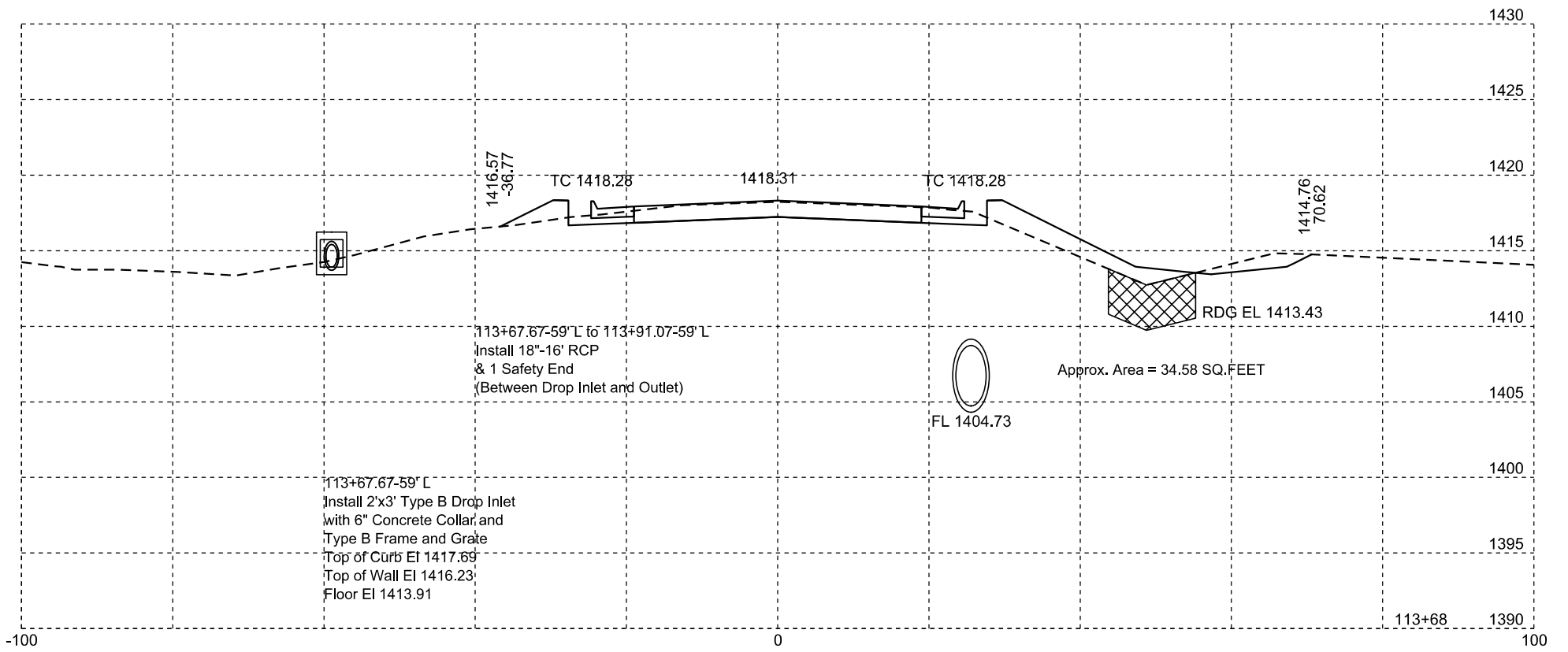
Plotting Date: 09/06/2024

| | | | |
|-----------------------------|-------------------|--------------|-----------------|
| STATE OF SOUTH DAKOTA | PROJECT | SHEET NO. | TOTAL SHEETS |
| | NH-CR 0046(69)288 | X13 | X139 |



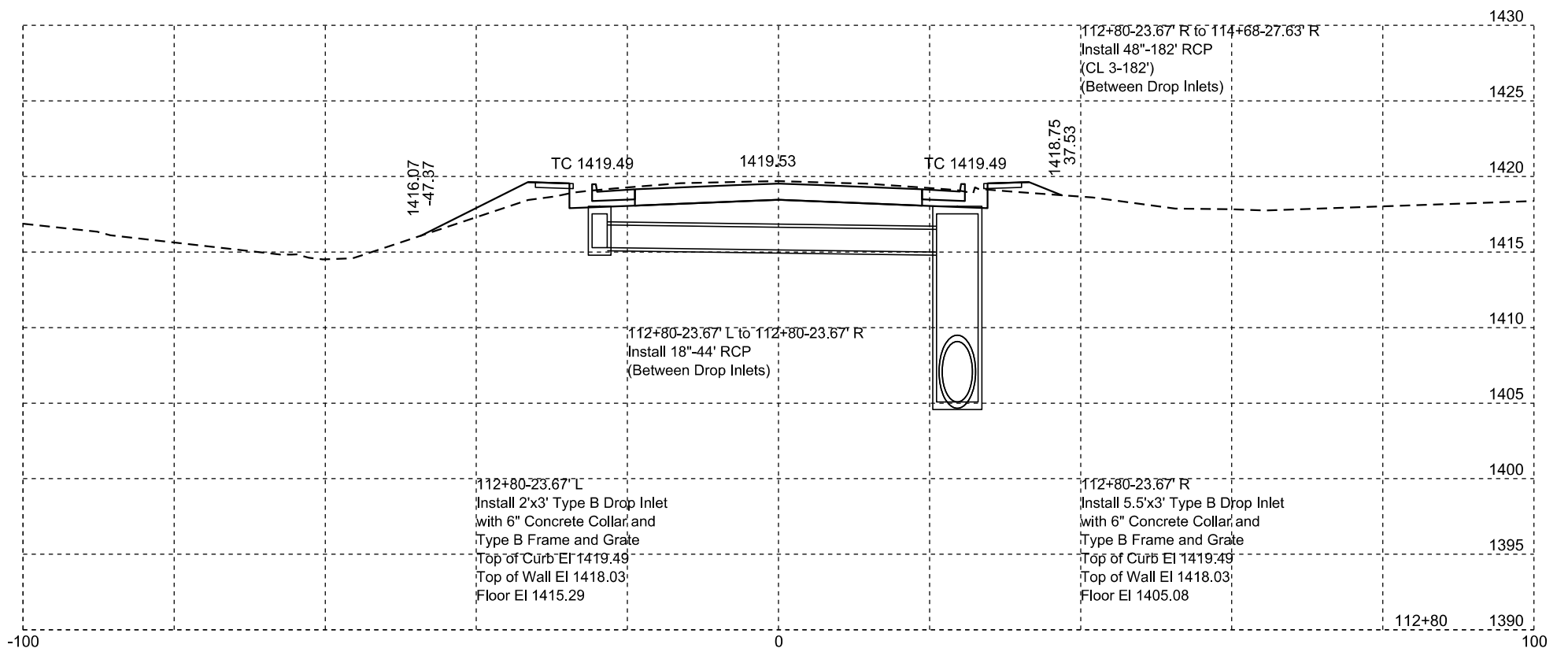
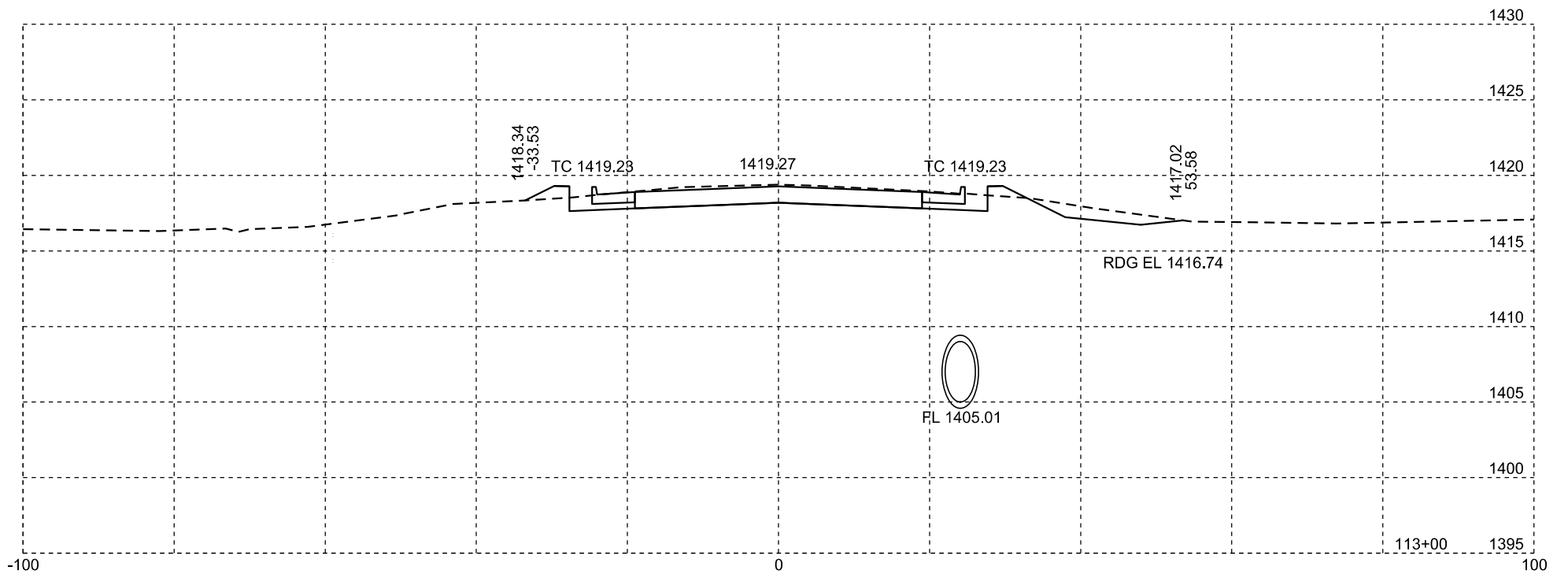
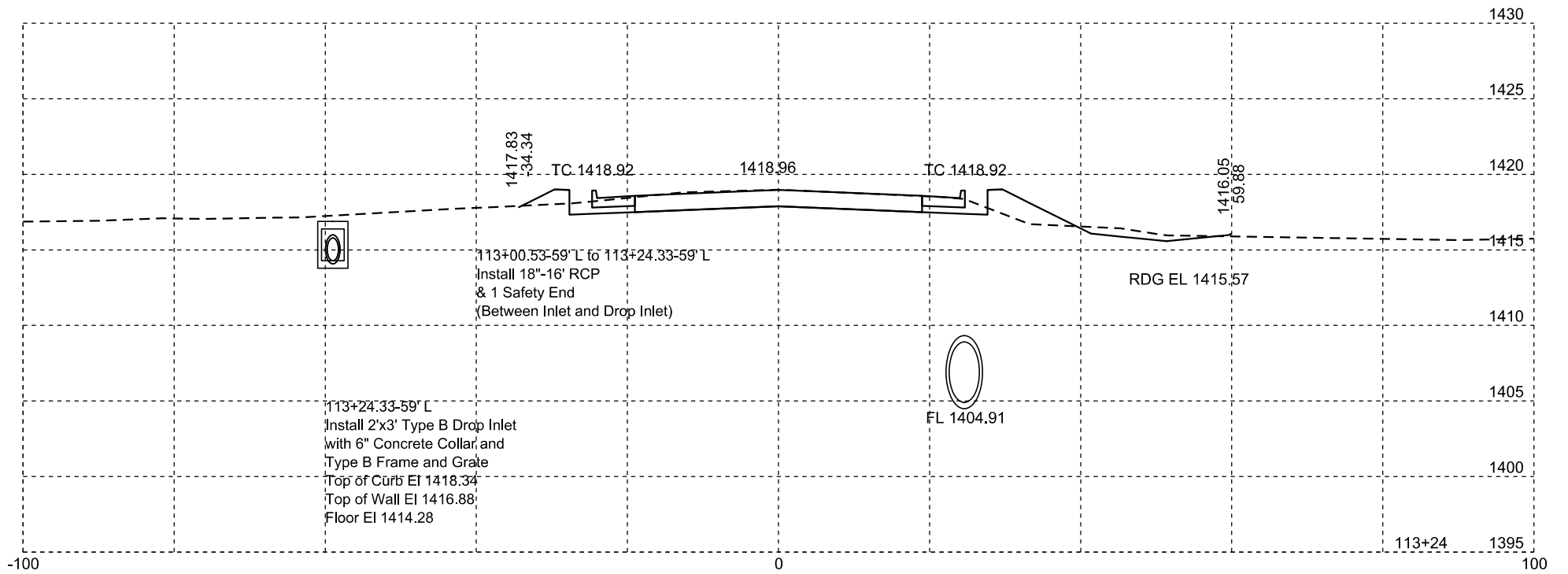
Plotting Date: 09/06/2024

| | | | |
|-----------------------------|-------------------|--------------|-----------------|
| STATE OF SOUTH DAKOTA | PROJECT | SHEET NO. | TOTAL SHEETS |
| | NH-CR 0046(69)288 | X14 | X139 |



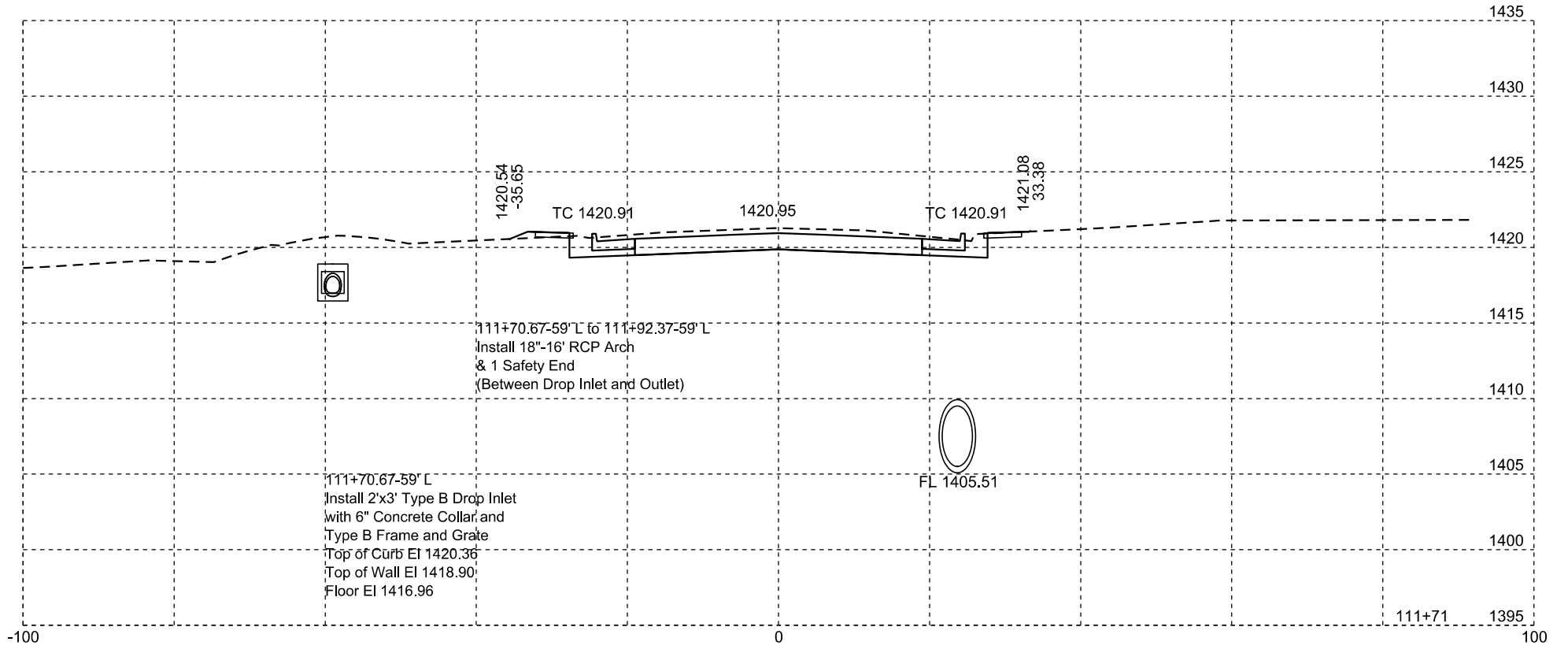
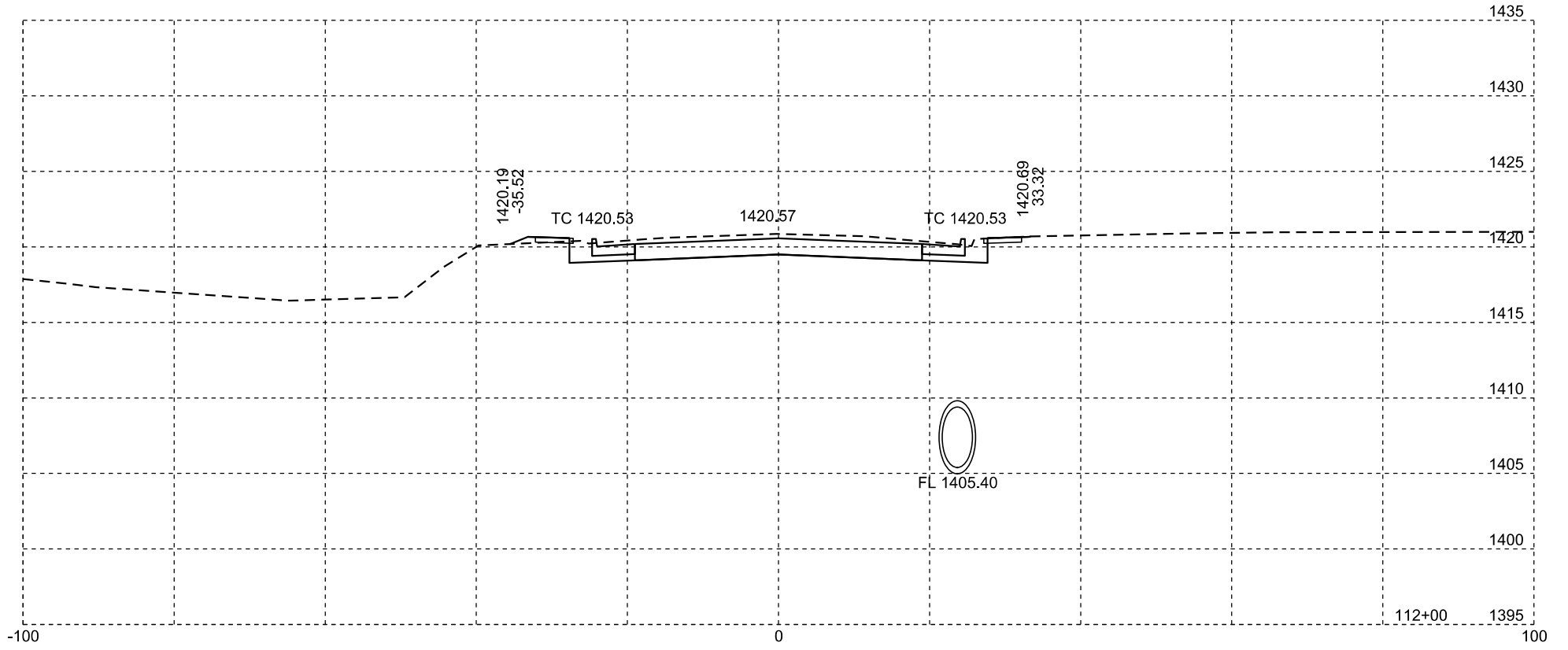
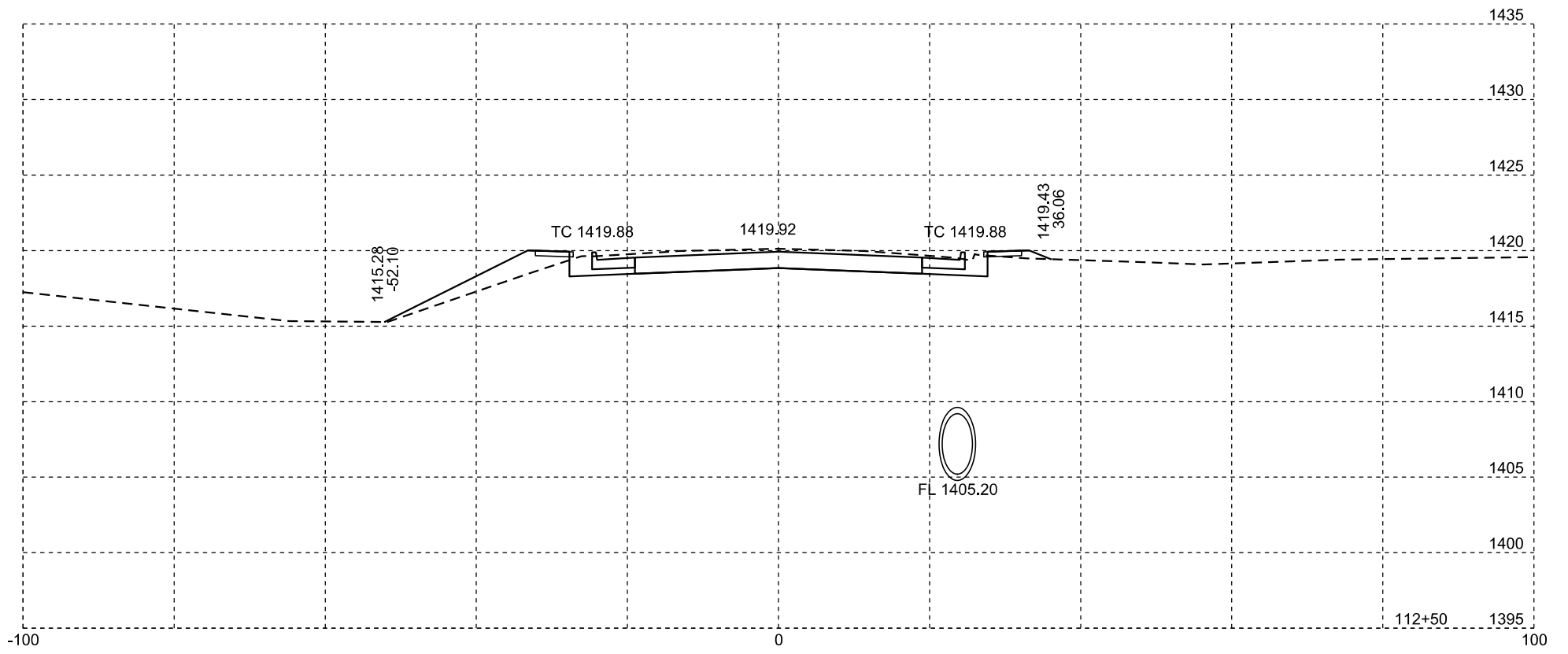
Plotting Date: 09/06/2024

| | | | |
|-----------------------------|-------------------|--------------|-----------------|
| STATE OF SOUTH DAKOTA | PROJECT | SHEET NO. | TOTAL SHEETS |
| | NH-CR 0046(69)288 | X15 | X139 |



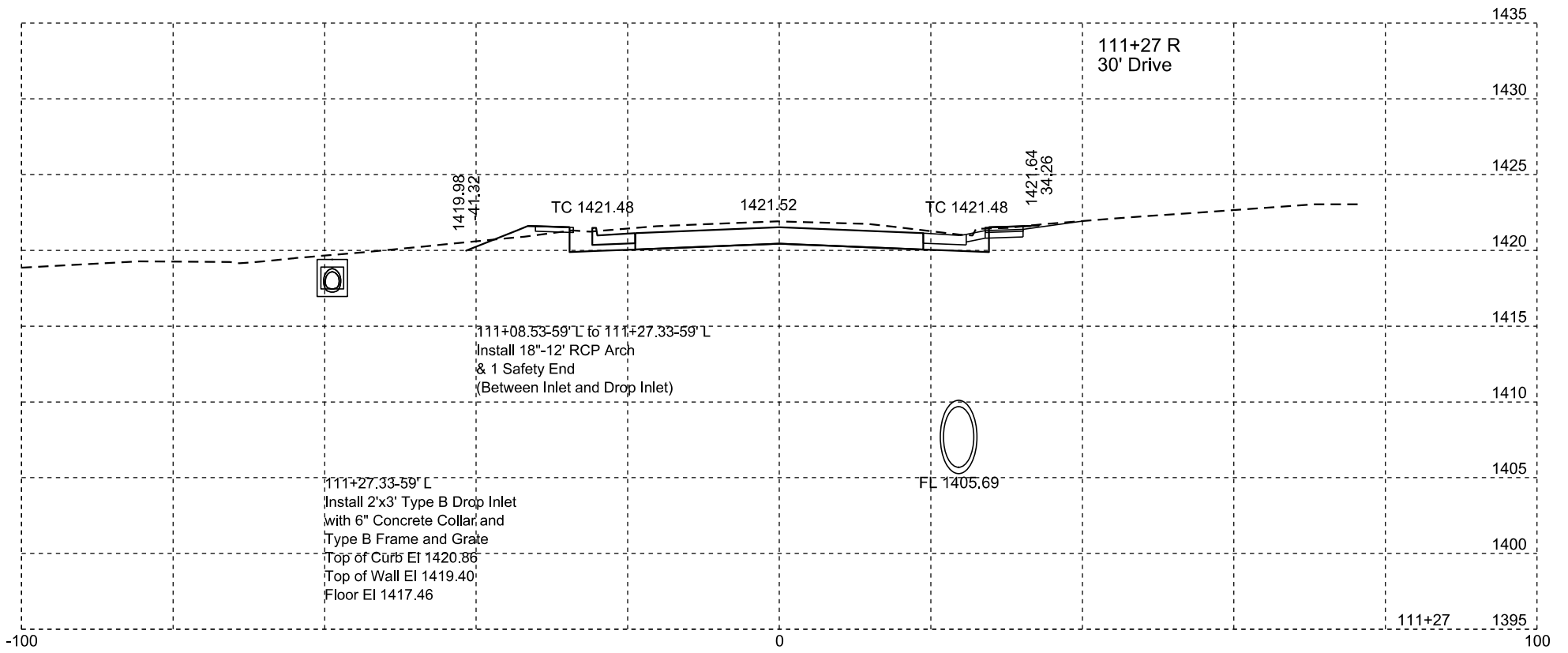
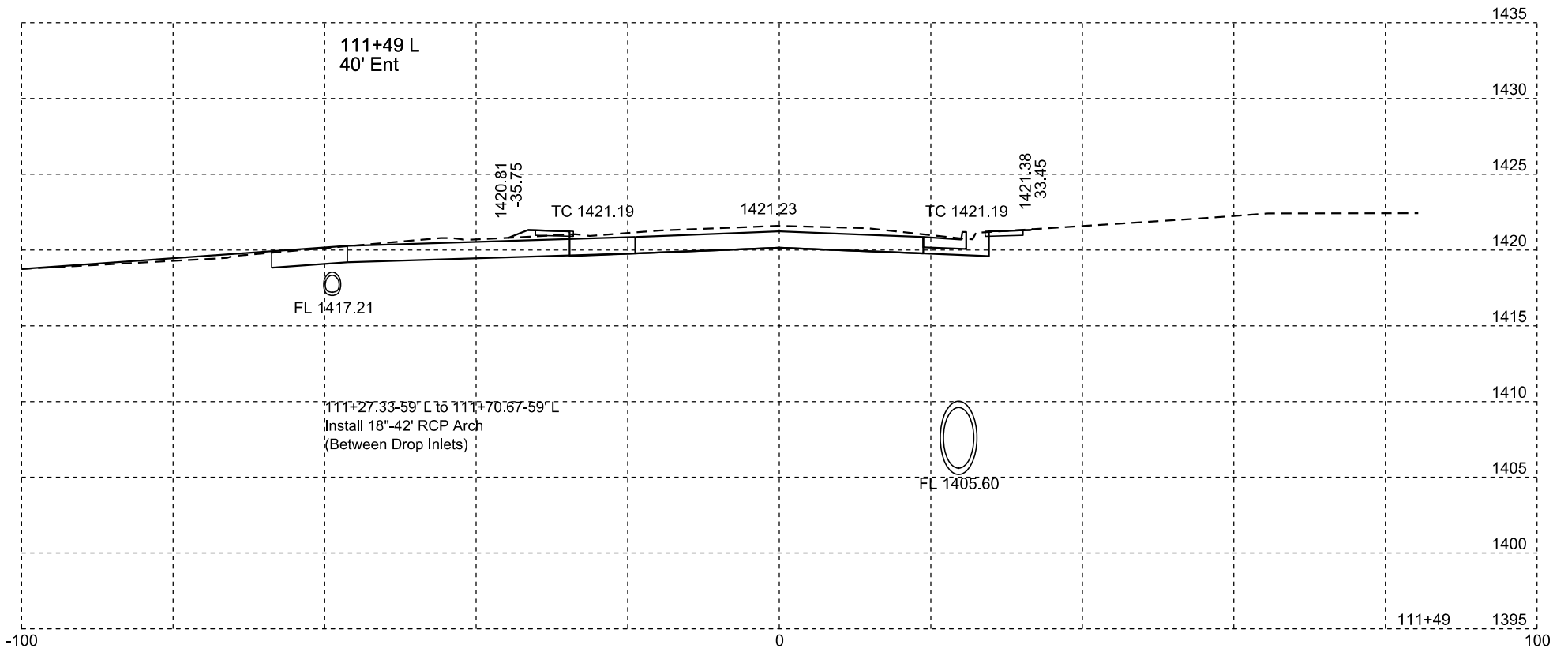
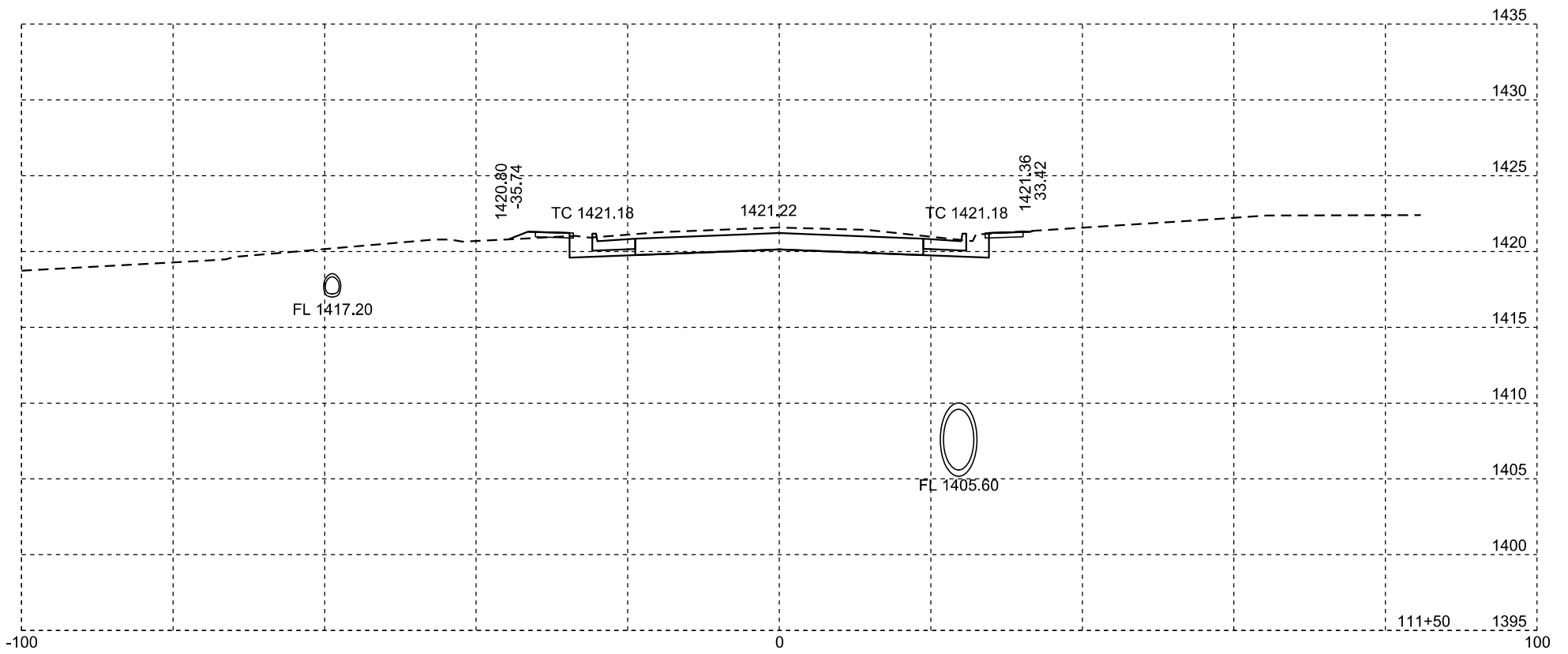
Plotting Date: 09/06/2024

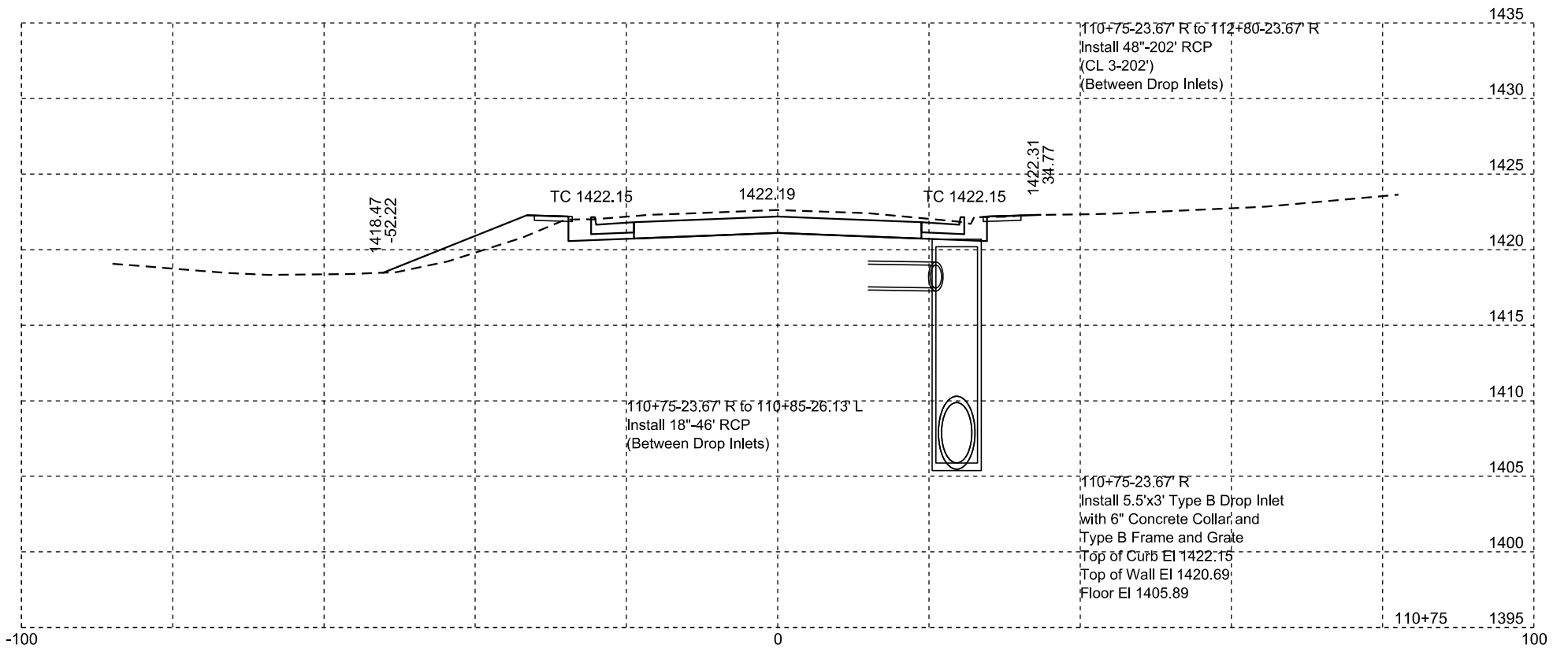
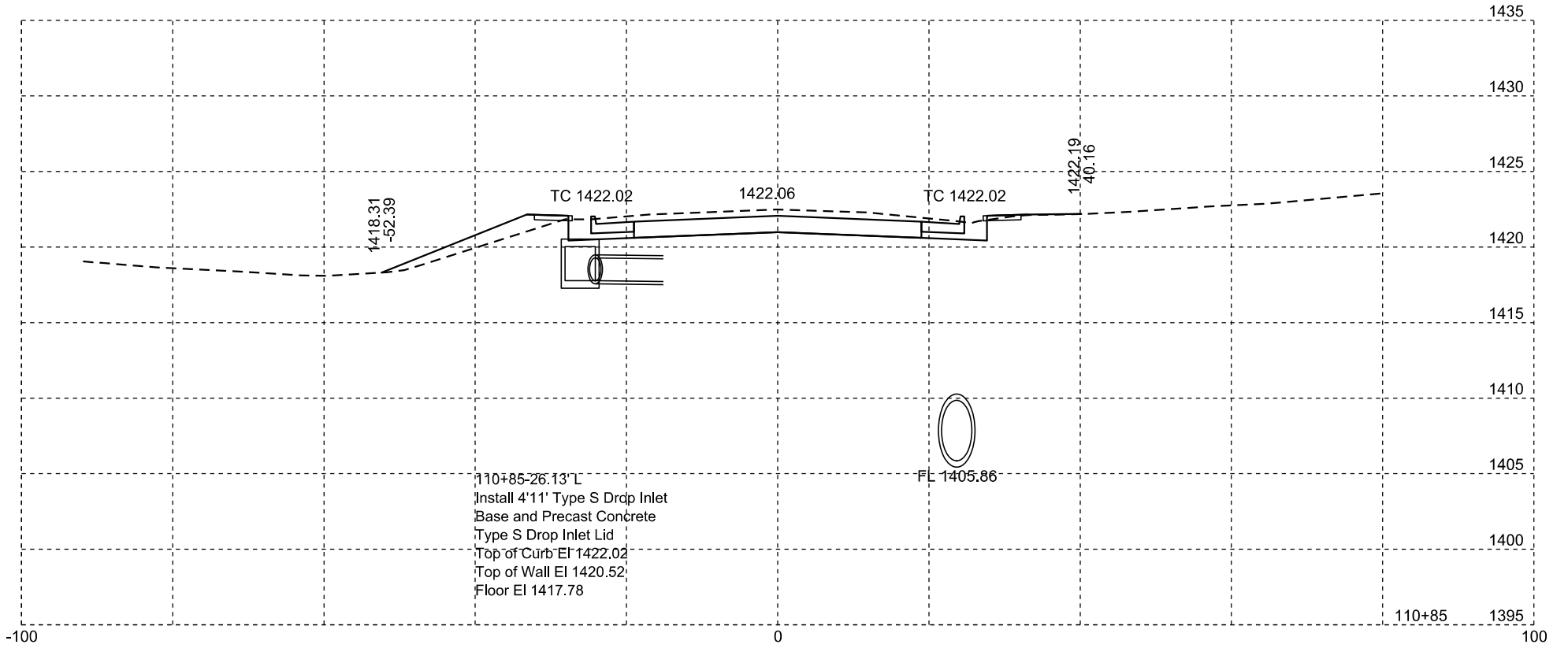
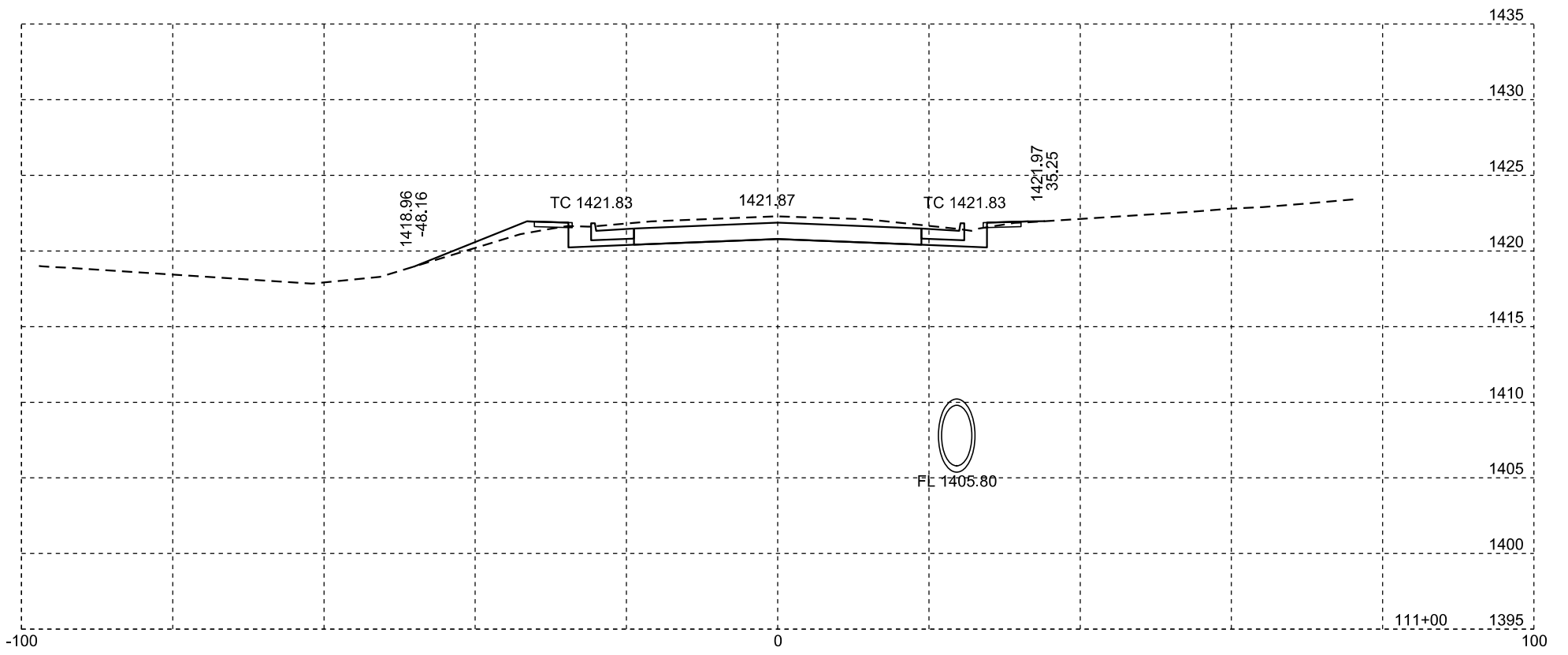
| | | | |
|-----------------------------|-------------------|--------------|-----------------|
| STATE OF SOUTH DAKOTA | PROJECT | SHEET NO. | TOTAL SHEETS |
| | NH-CR 0046(69)288 | X16 | X139 |



Plotting Date: 09/06/2024

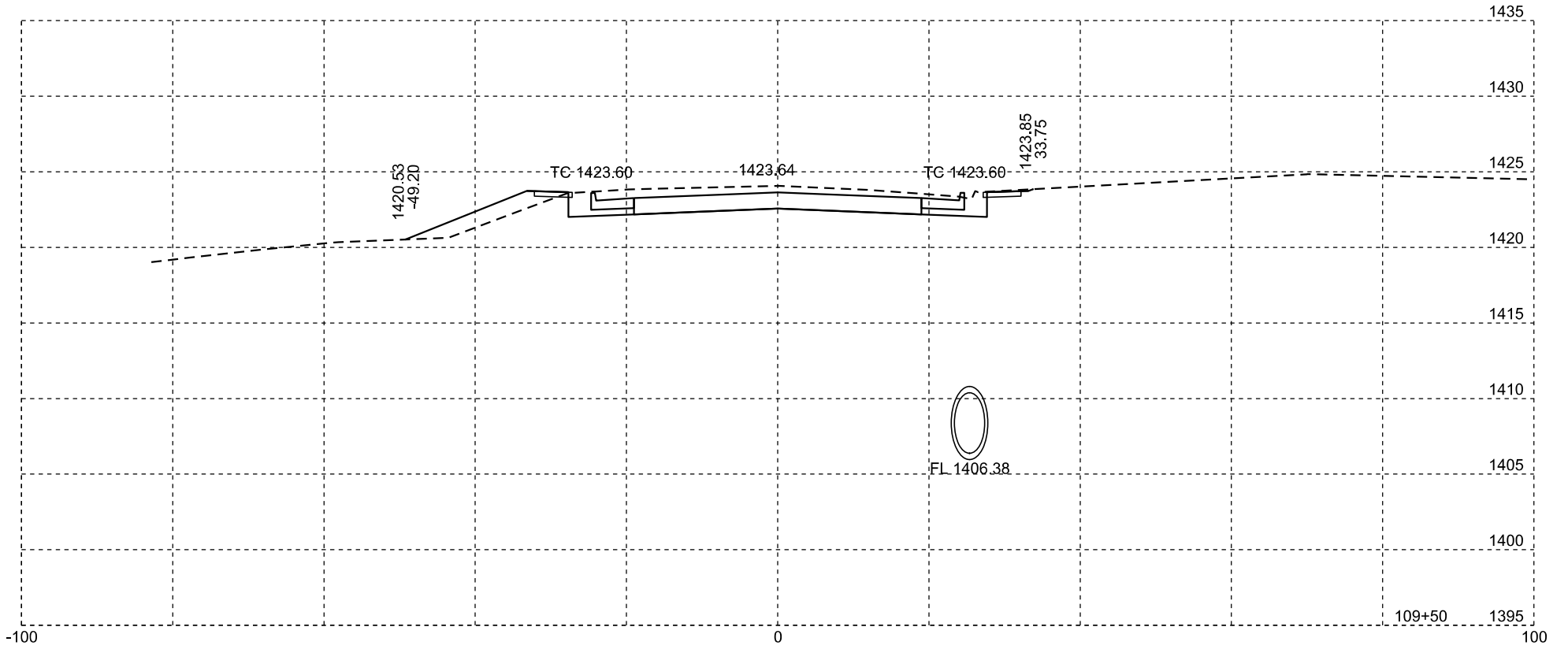
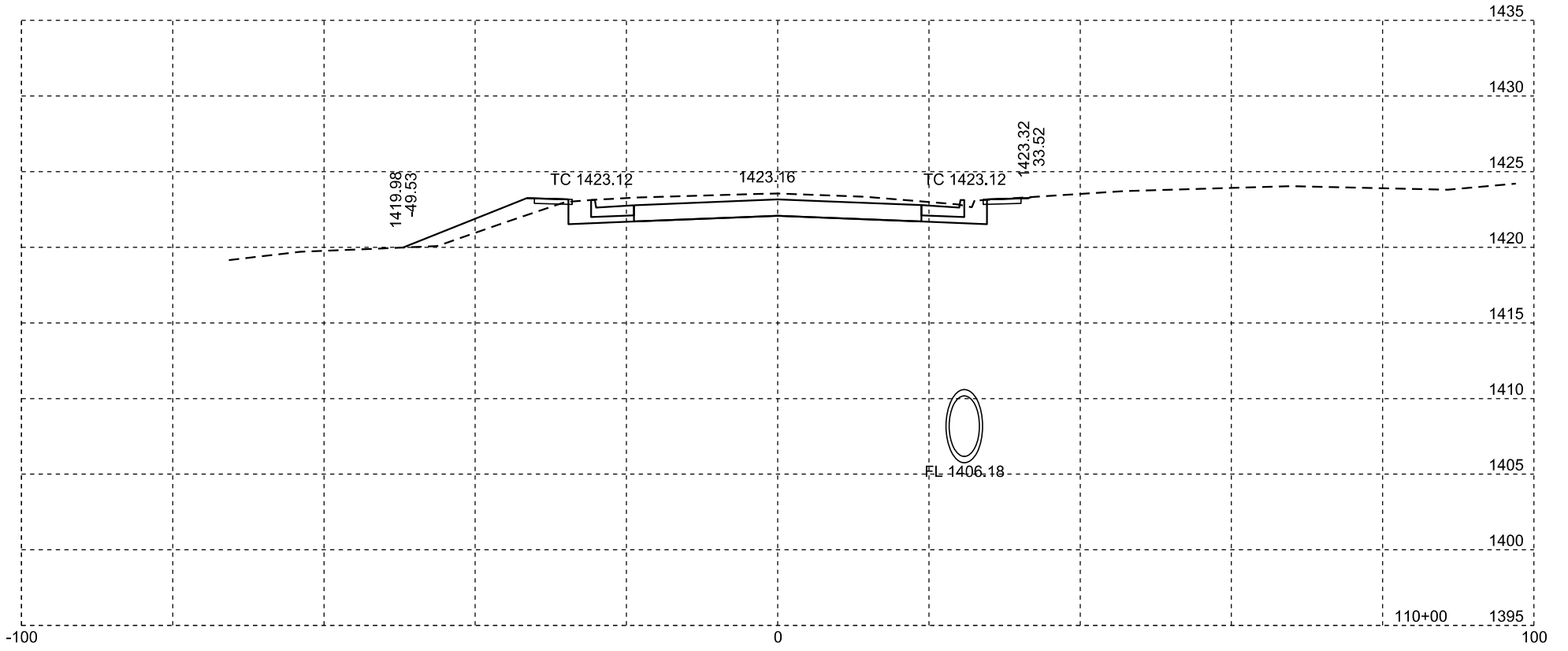
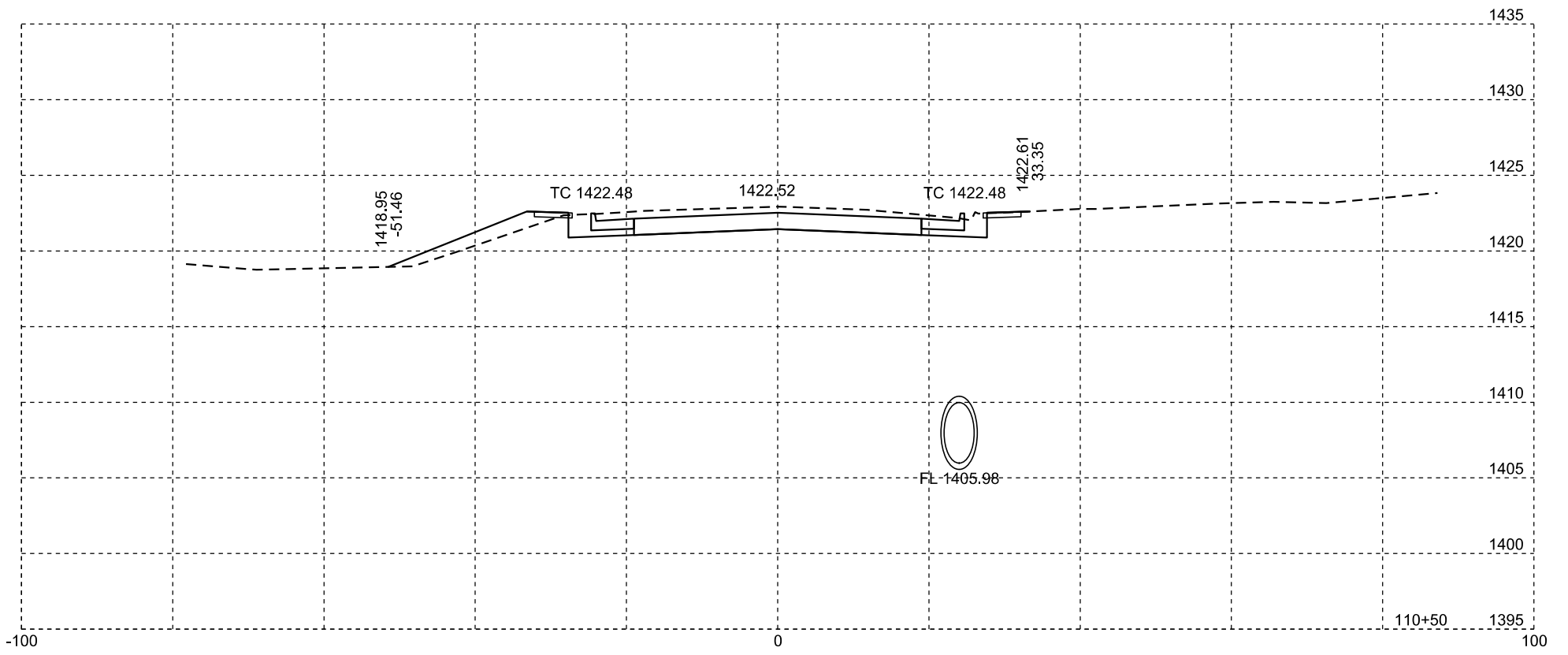
| | | | |
|-----------------------------|-------------------|--------------|-----------------|
| STATE OF SOUTH DAKOTA | PROJECT | SHEET NO. | TOTAL SHEETS |
| | NH-CR 0046(69)288 | X17 | X139 |





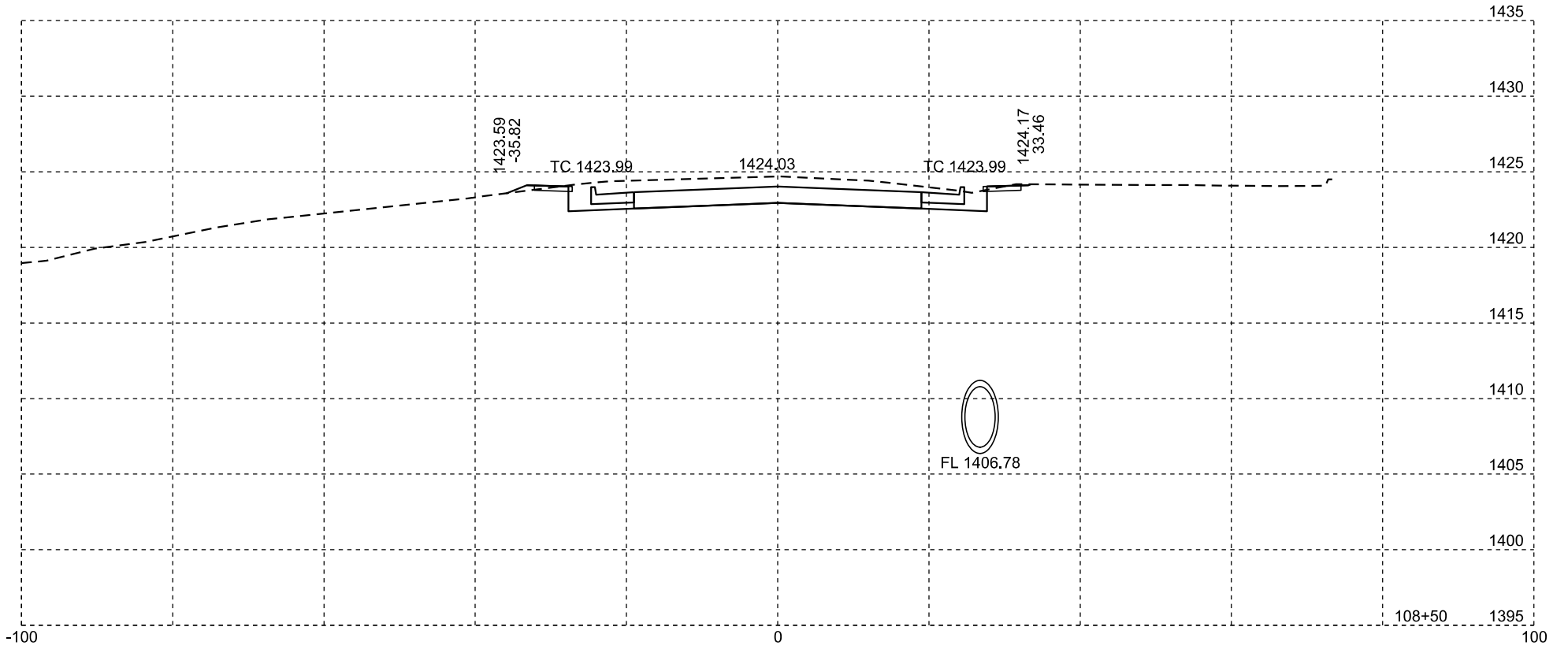
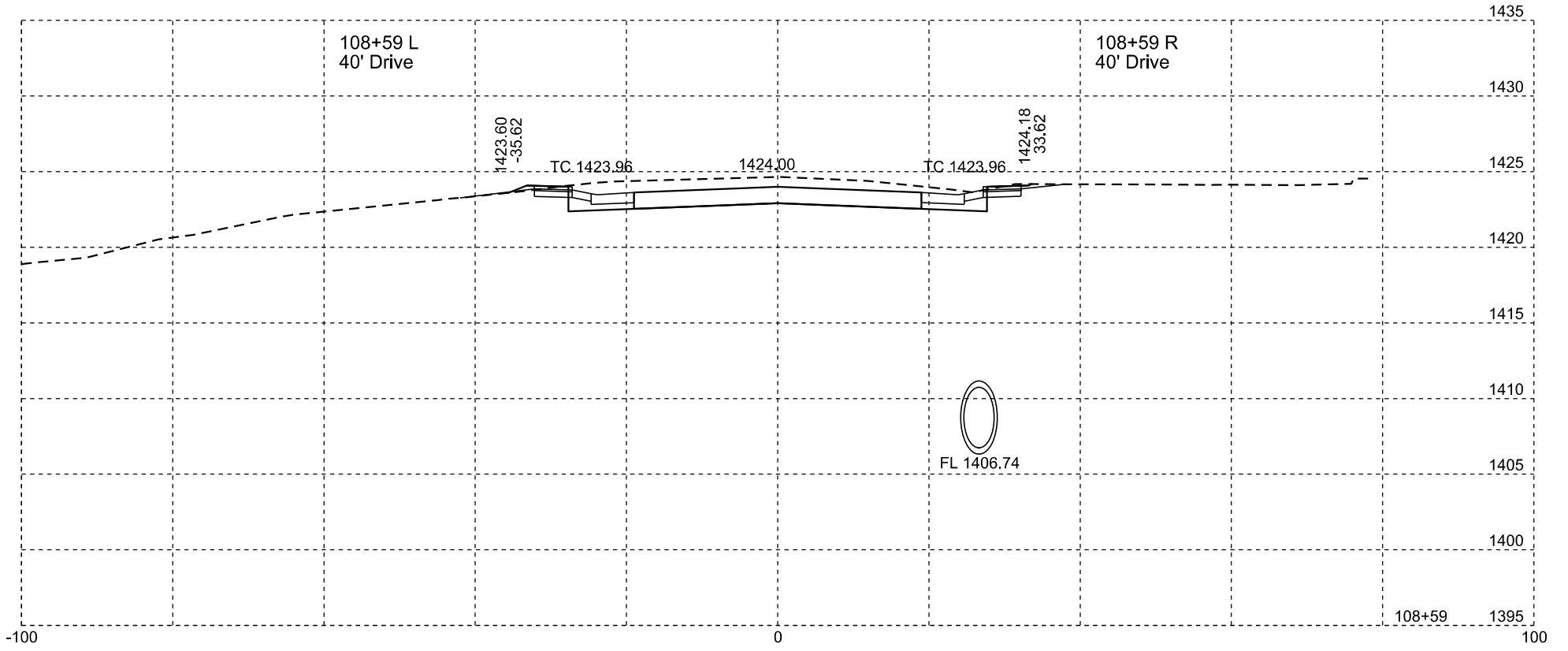
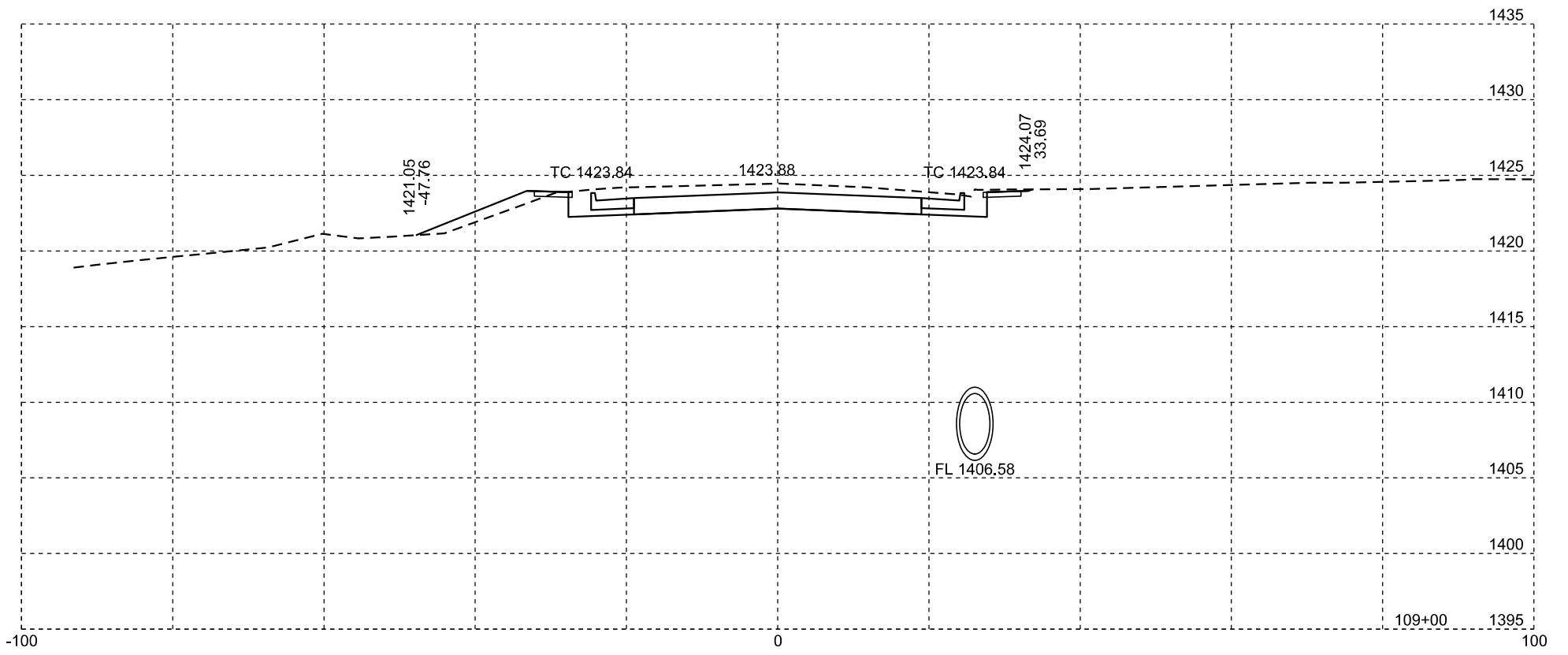
Plotting Date: 09/06/2024

| | | | |
|-----------------------------|-------------------|--------------|-----------------|
| STATE OF SOUTH DAKOTA | PROJECT | SHEET NO. | TOTAL SHEETS |
| | NH-CR 0046(69)288 | X19 | X139 |



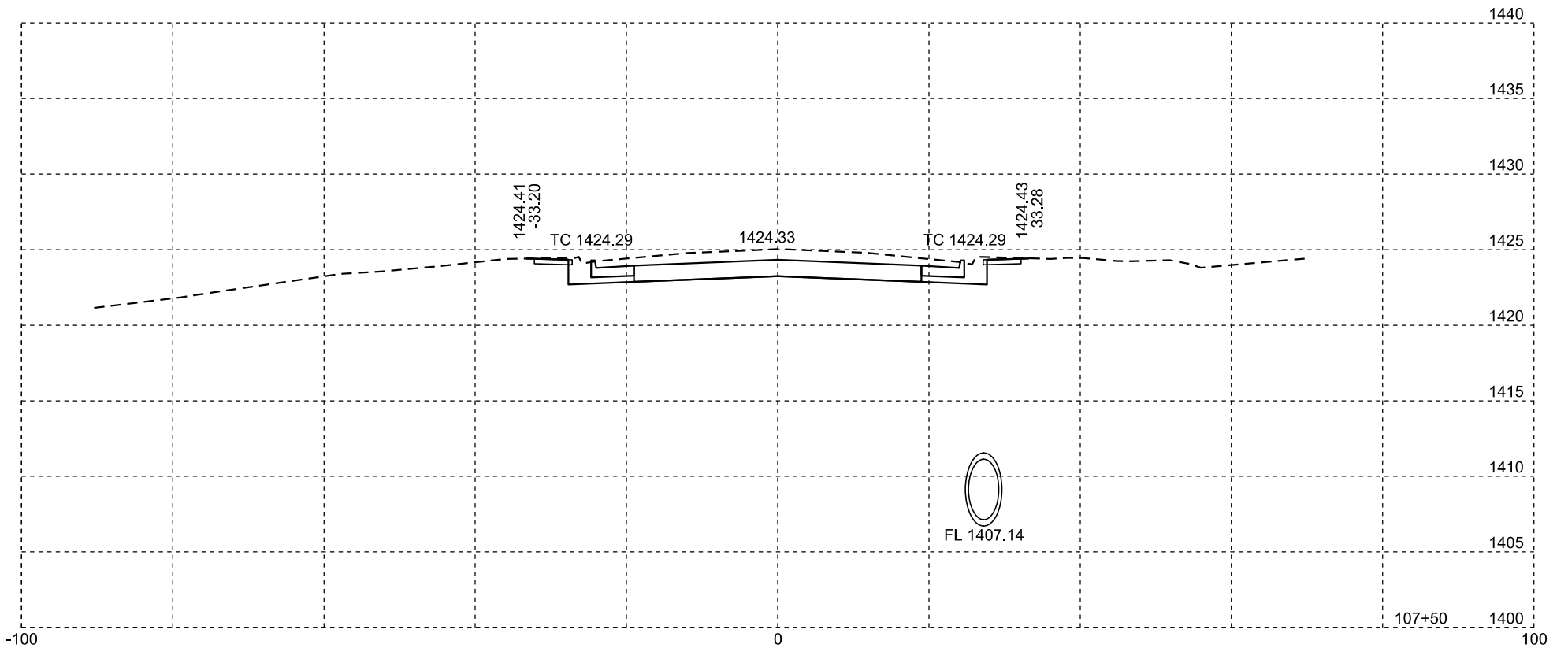
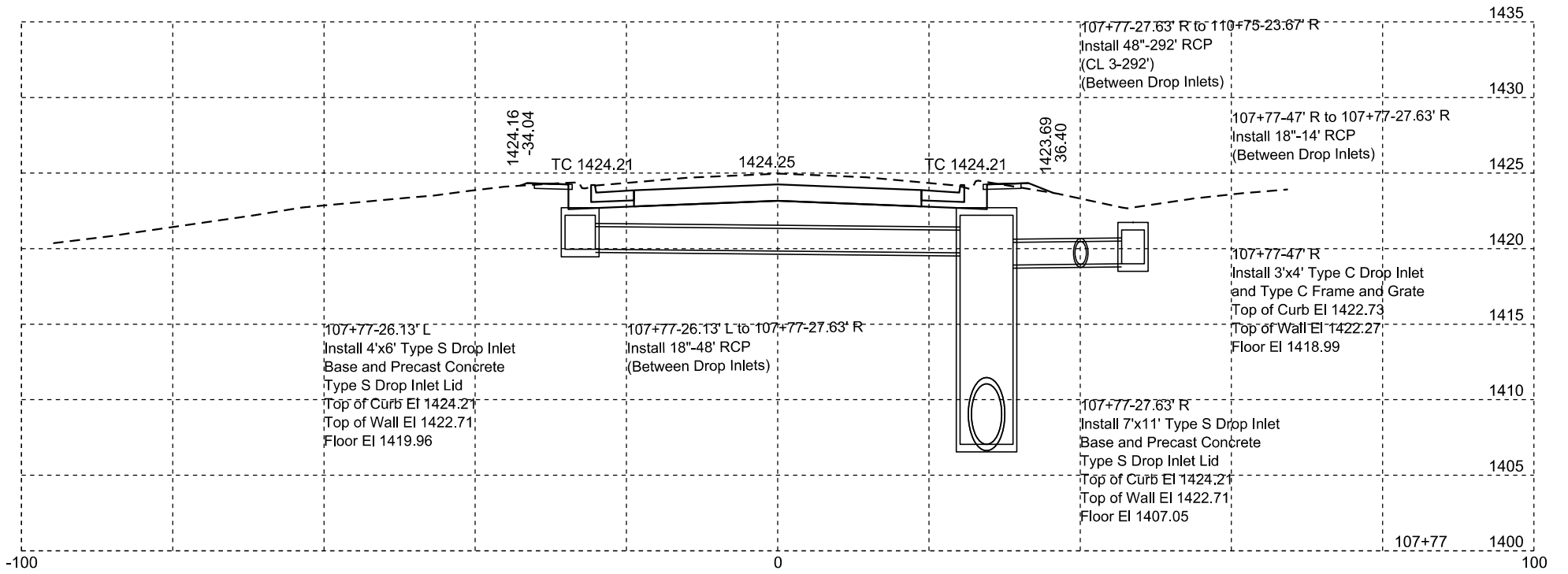
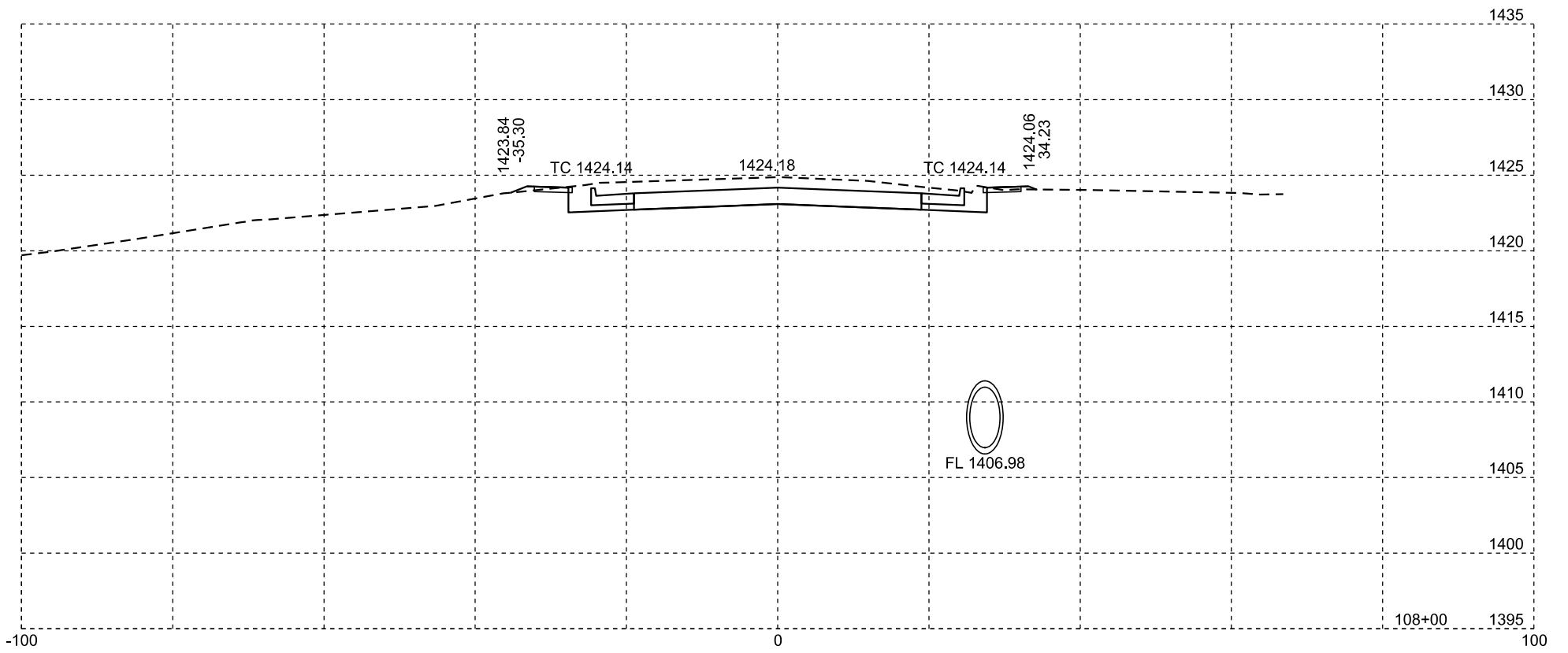
Plotting Date: 09/06/2024

| | | | |
|-----------------------------|-------------------|--------------|-----------------|
| STATE OF SOUTH DAKOTA | PROJECT | SHEET NO. | TOTAL SHEETS |
| | NH-CR 0046(69)288 | X20 | X139 |



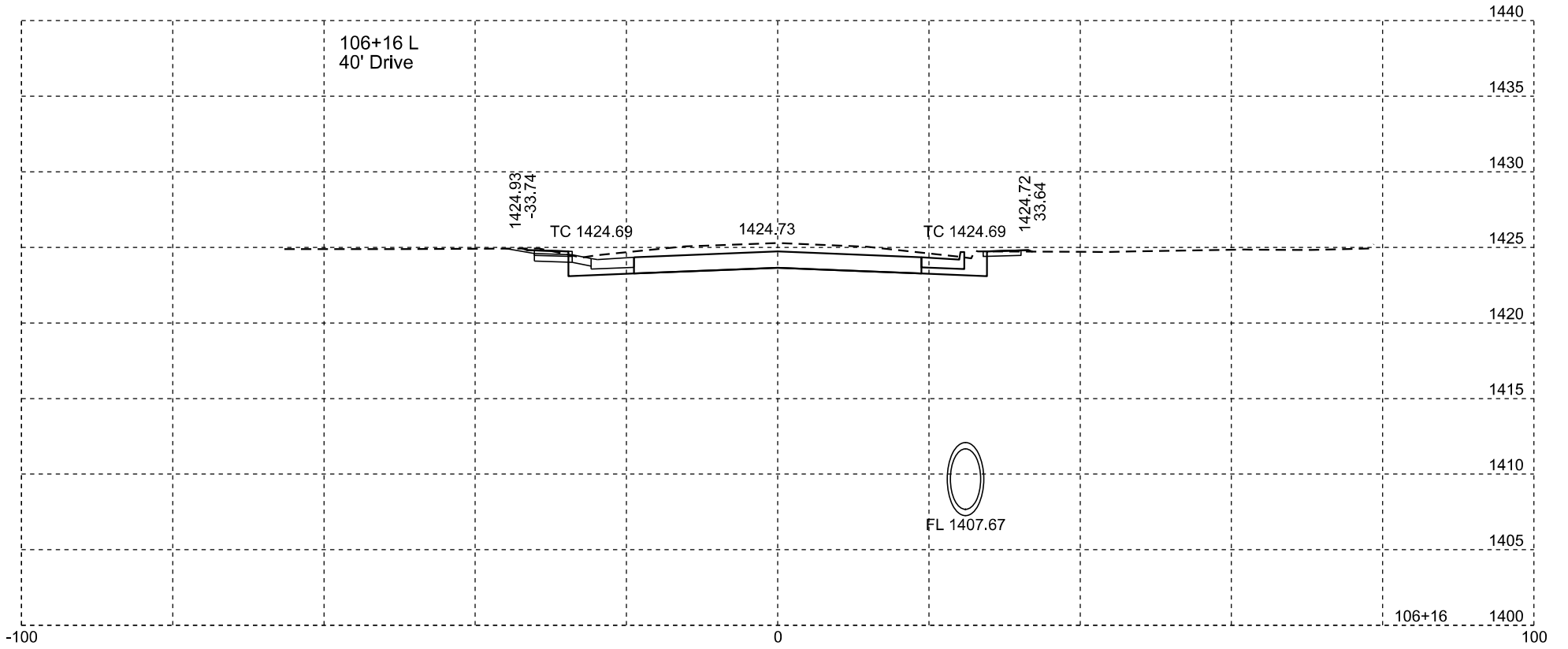
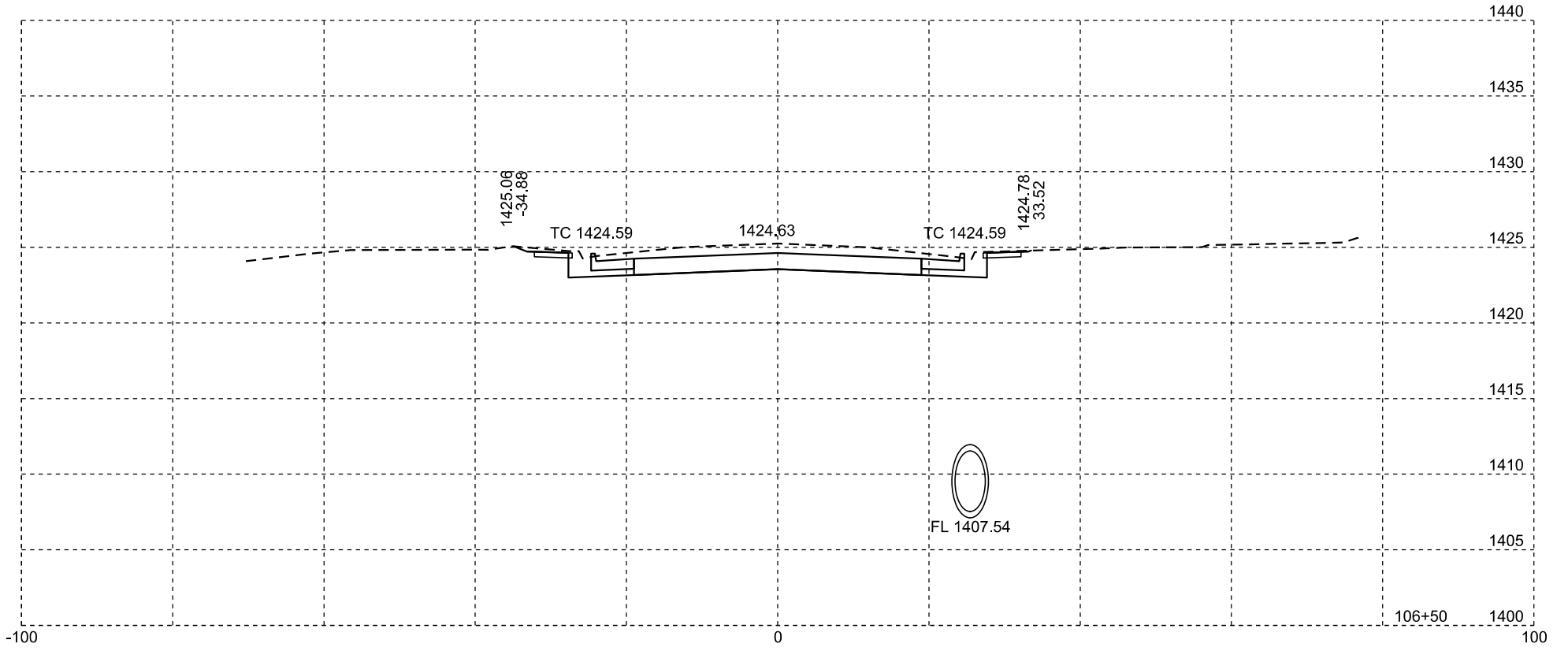
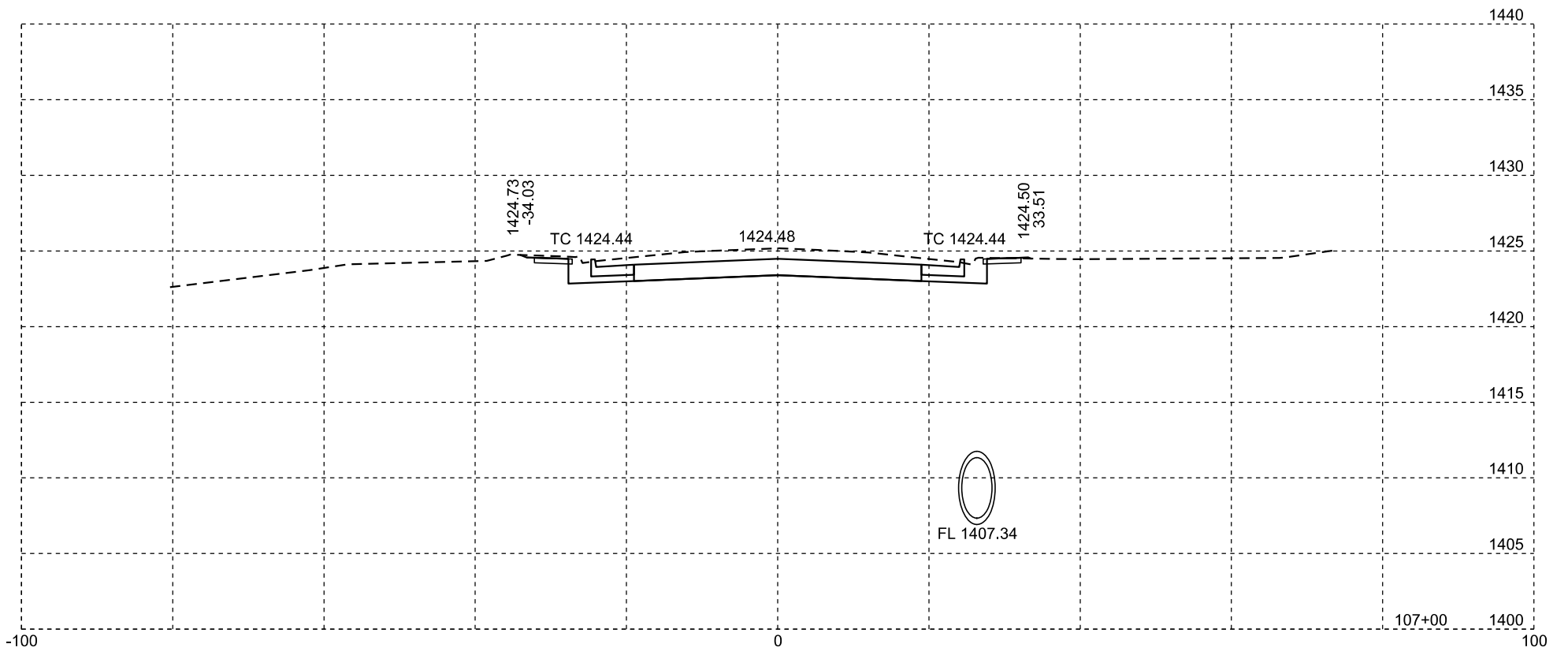
Plotting Date: 09/06/2024

| | | | |
|-----------------------------|-------------------|--------------|-----------------|
| STATE OF SOUTH DAKOTA | PROJECT | SHEET NO. | TOTAL SHEETS |
| | NH-CR 0046(69)288 | X21 | X139 |



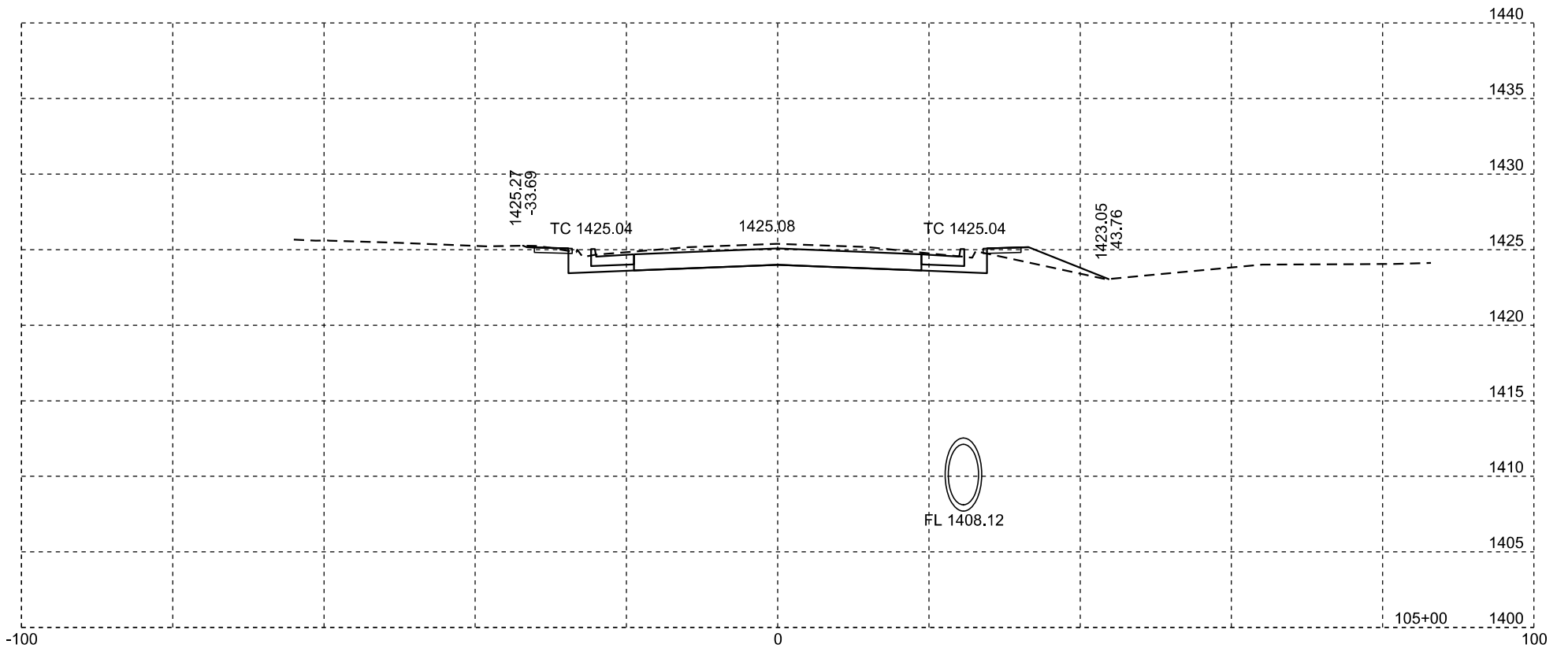
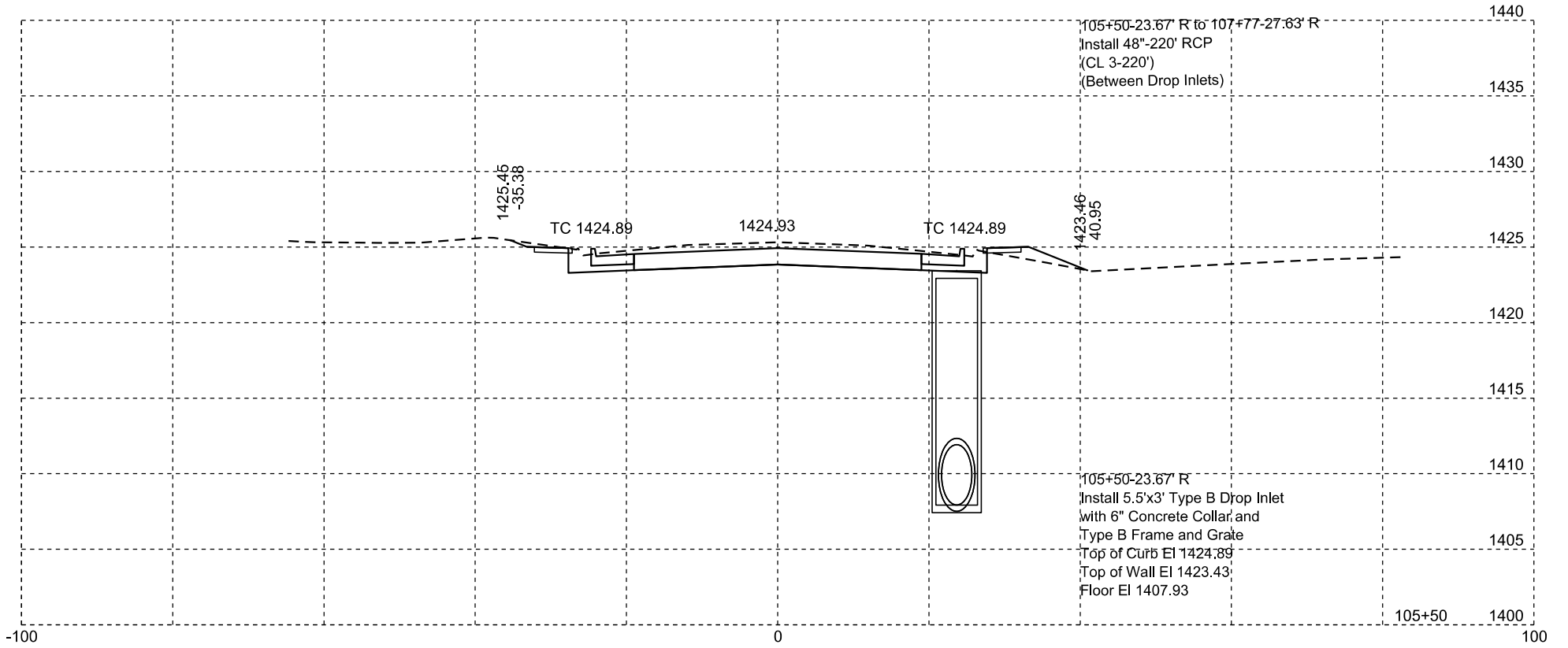
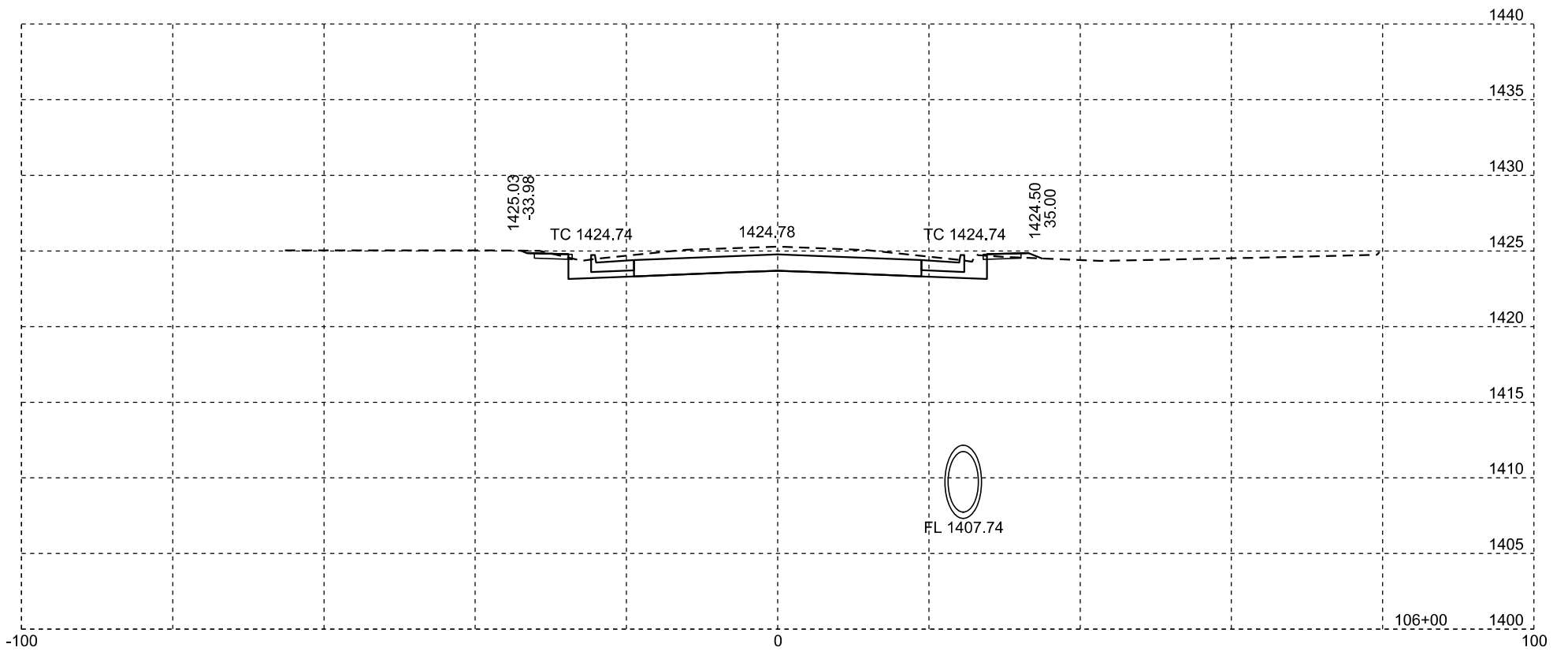
Plotting Date: 09/06/2024

| | | | |
|-----------------------------|-------------------|--------------|-----------------|
| STATE OF SOUTH DAKOTA | PROJECT | SHEET NO. | TOTAL SHEETS |
| | NH-CR 0046(69)288 | X22 | X139 |



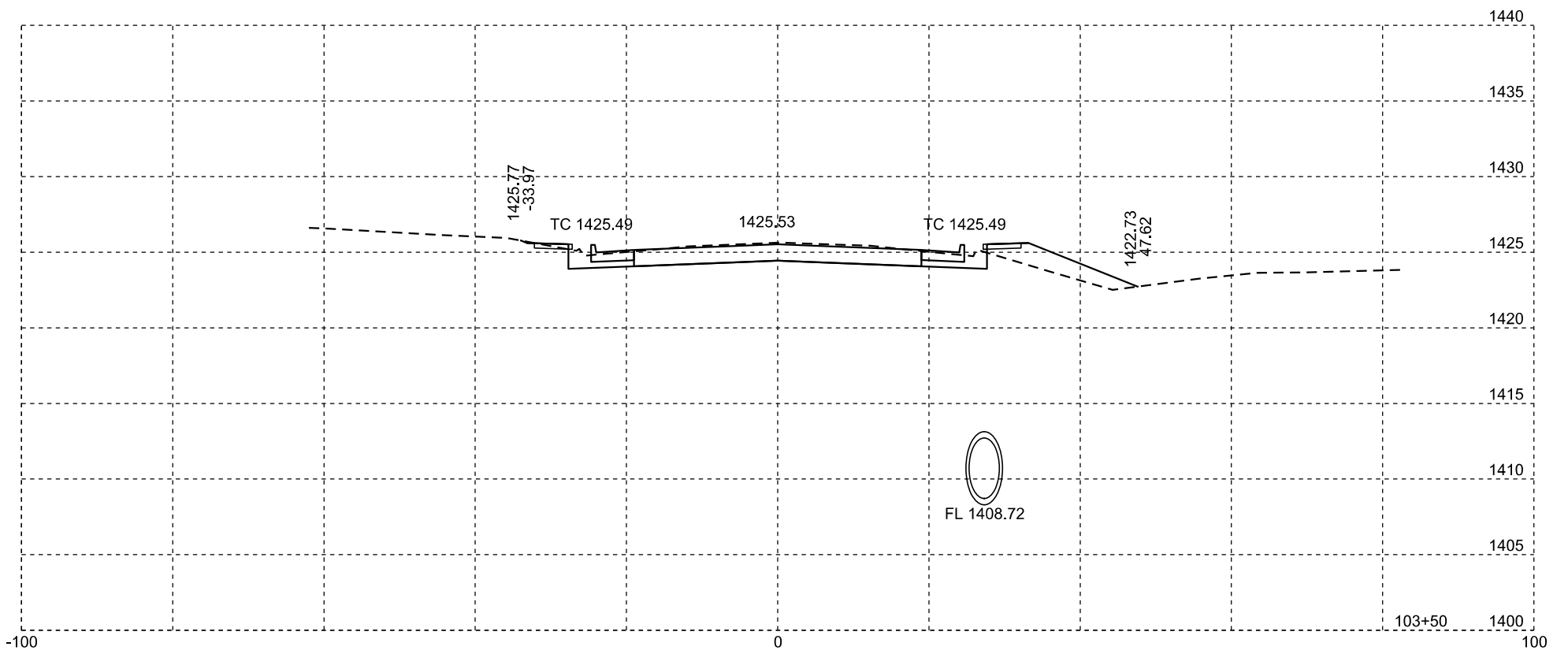
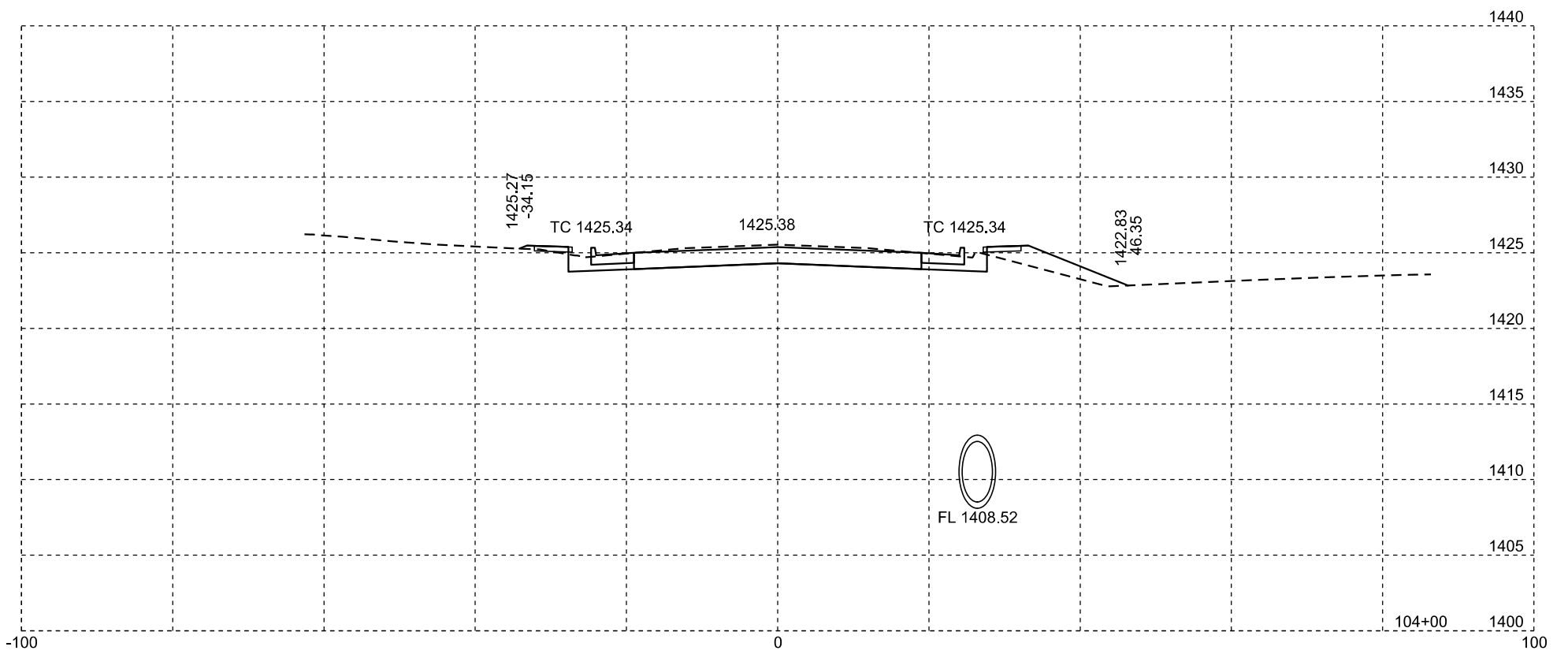
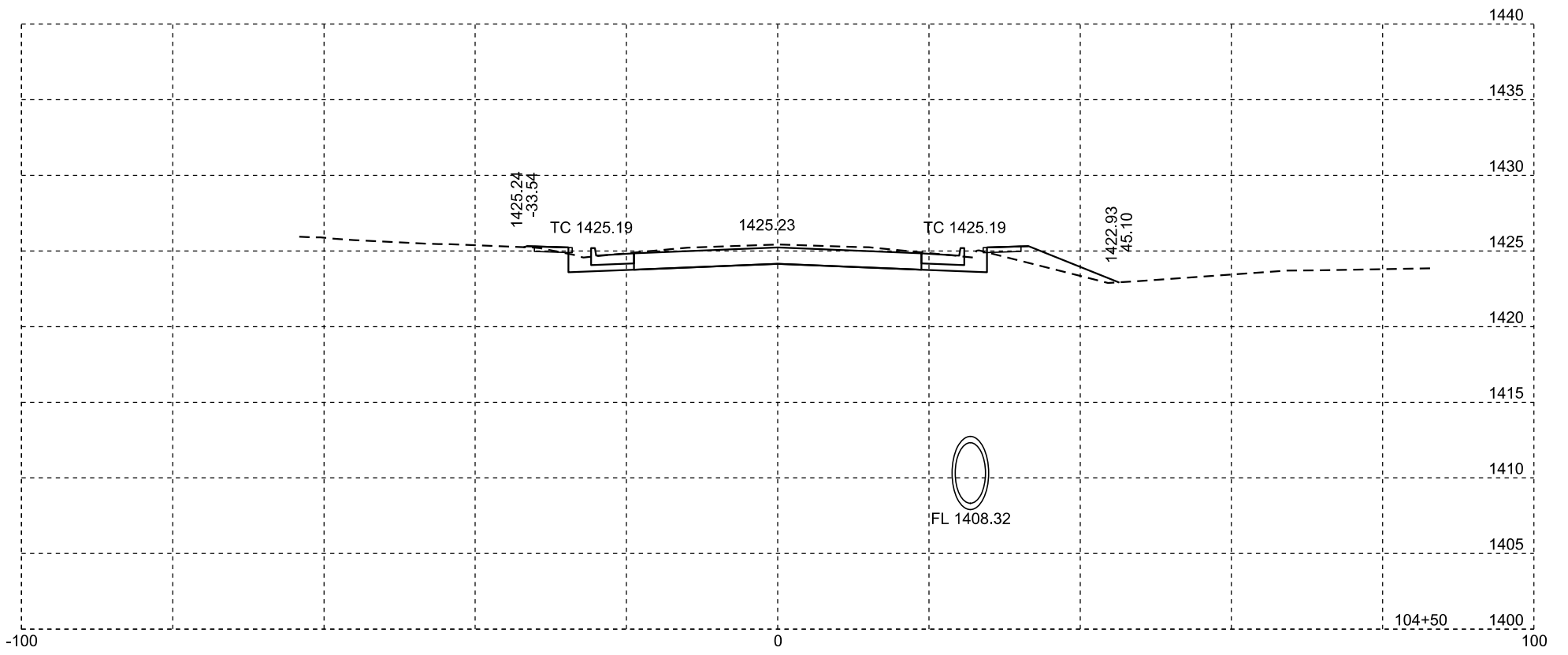
Plotting Date: 09/06/2024

| | | | |
|-----------------------------|-------------------|--------------|-----------------|
| STATE OF SOUTH DAKOTA | PROJECT | SHEET NO. | TOTAL SHEETS |
| | NH-CR 0046(69)288 | X23 | X139 |



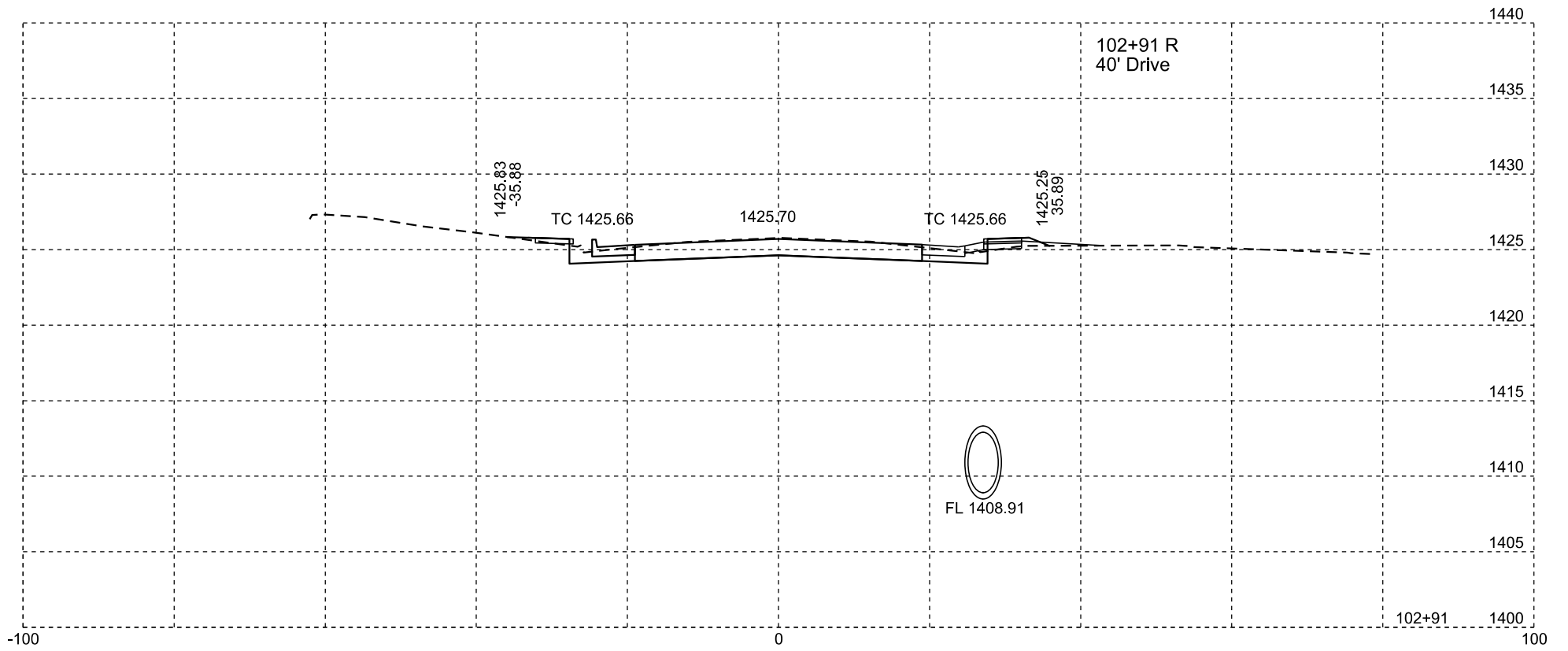
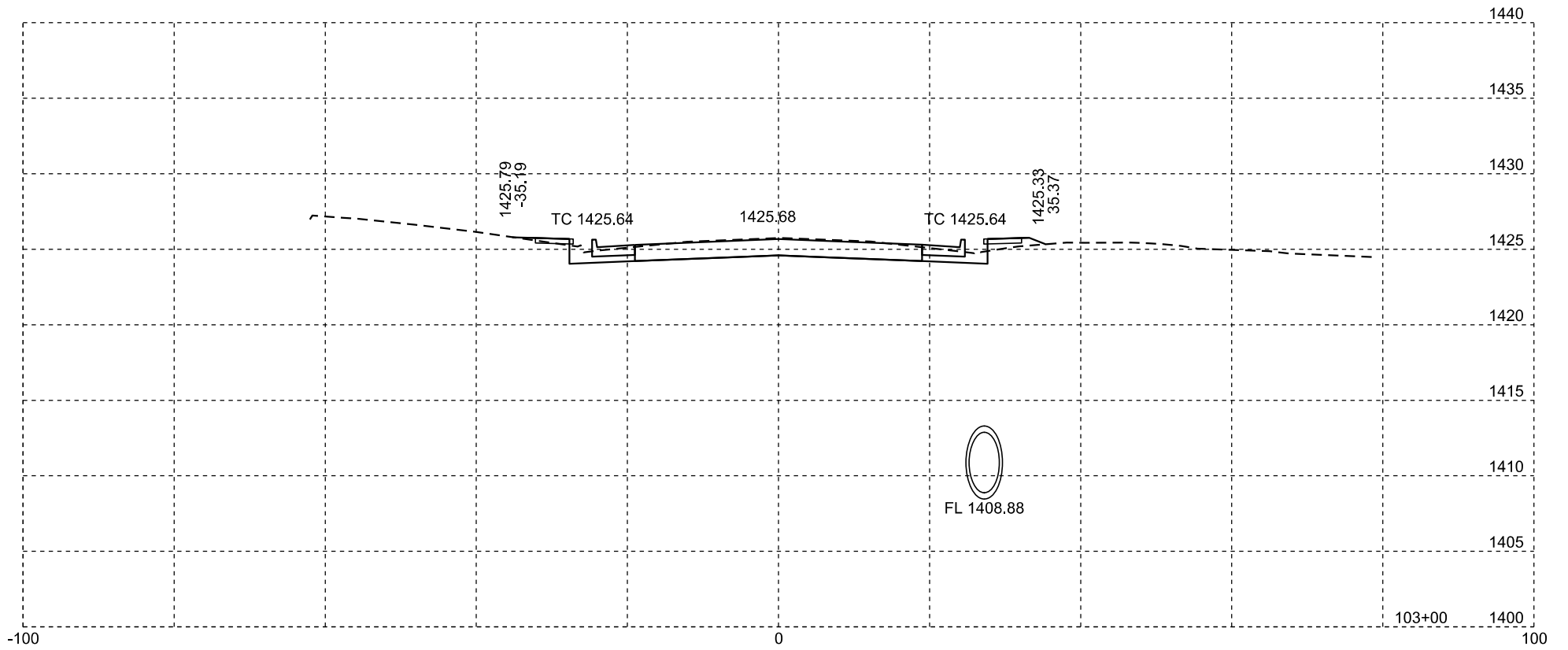
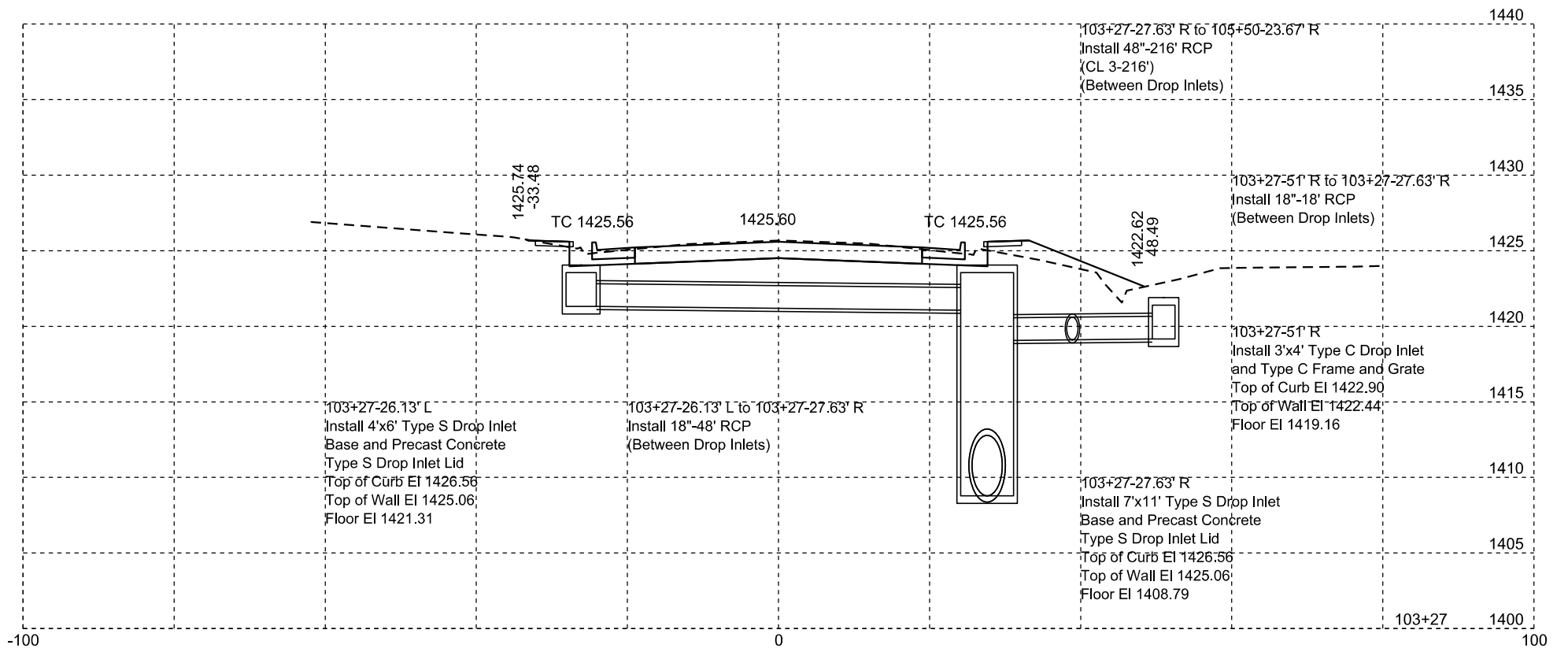
Plotting Date: 09/06/2024

| | | | |
|-----------------------------|-------------------|--------------|-----------------|
| STATE OF SOUTH DAKOTA | PROJECT | SHEET NO. | TOTAL SHEETS |
| | NH-CR 0046(69)288 | X24 | X139 |



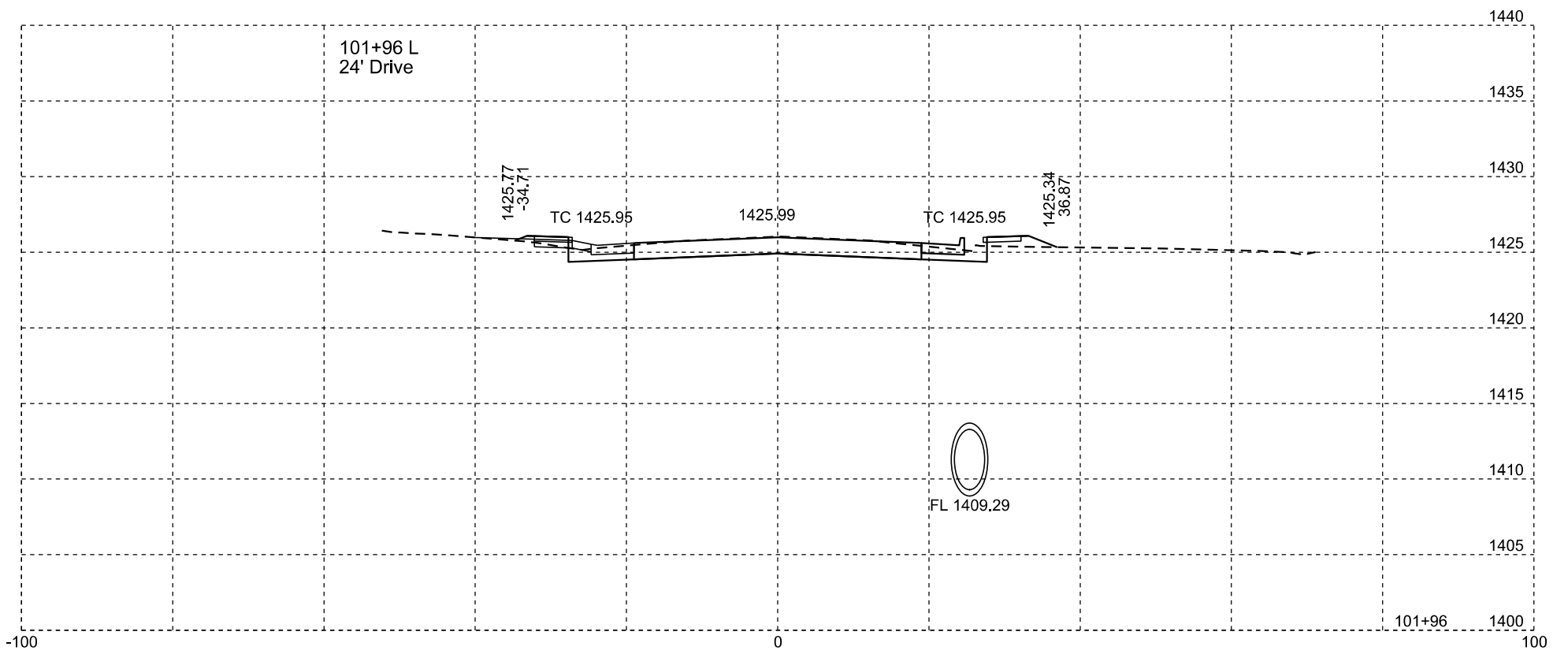
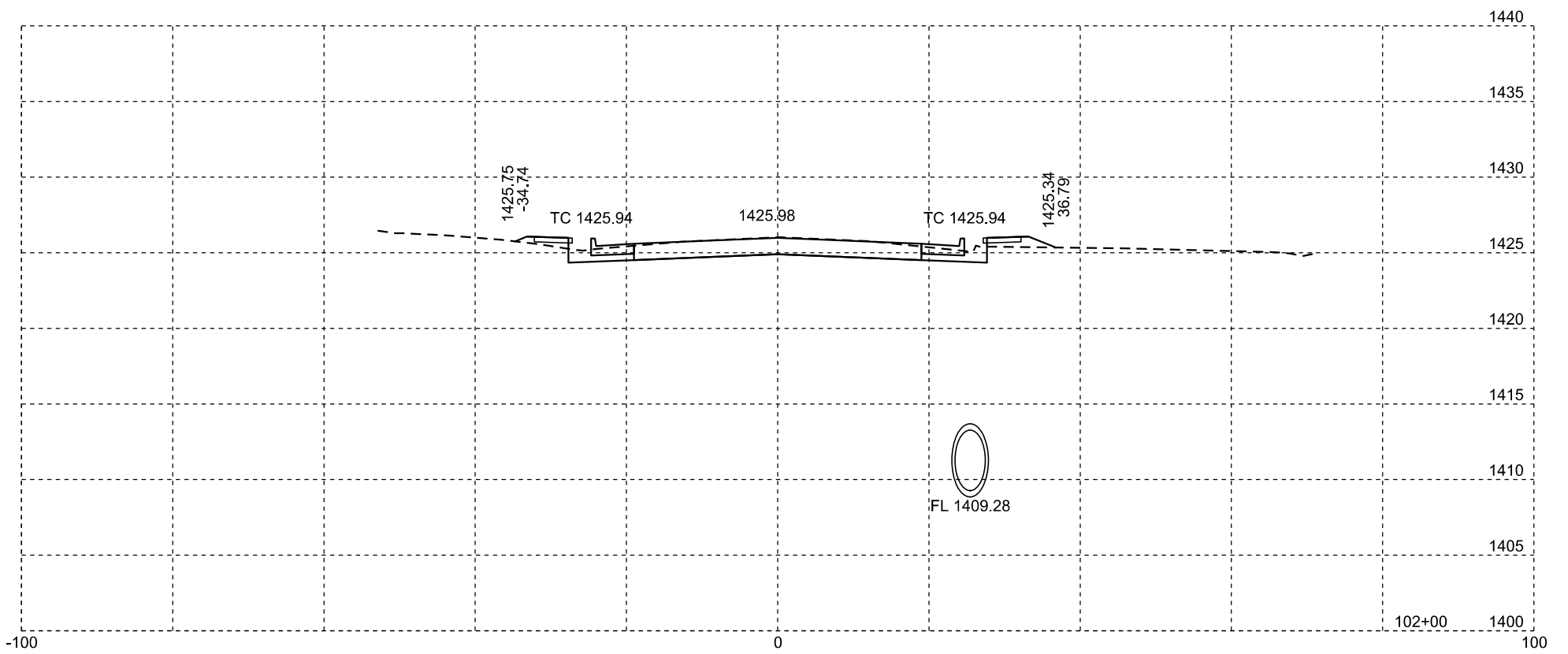
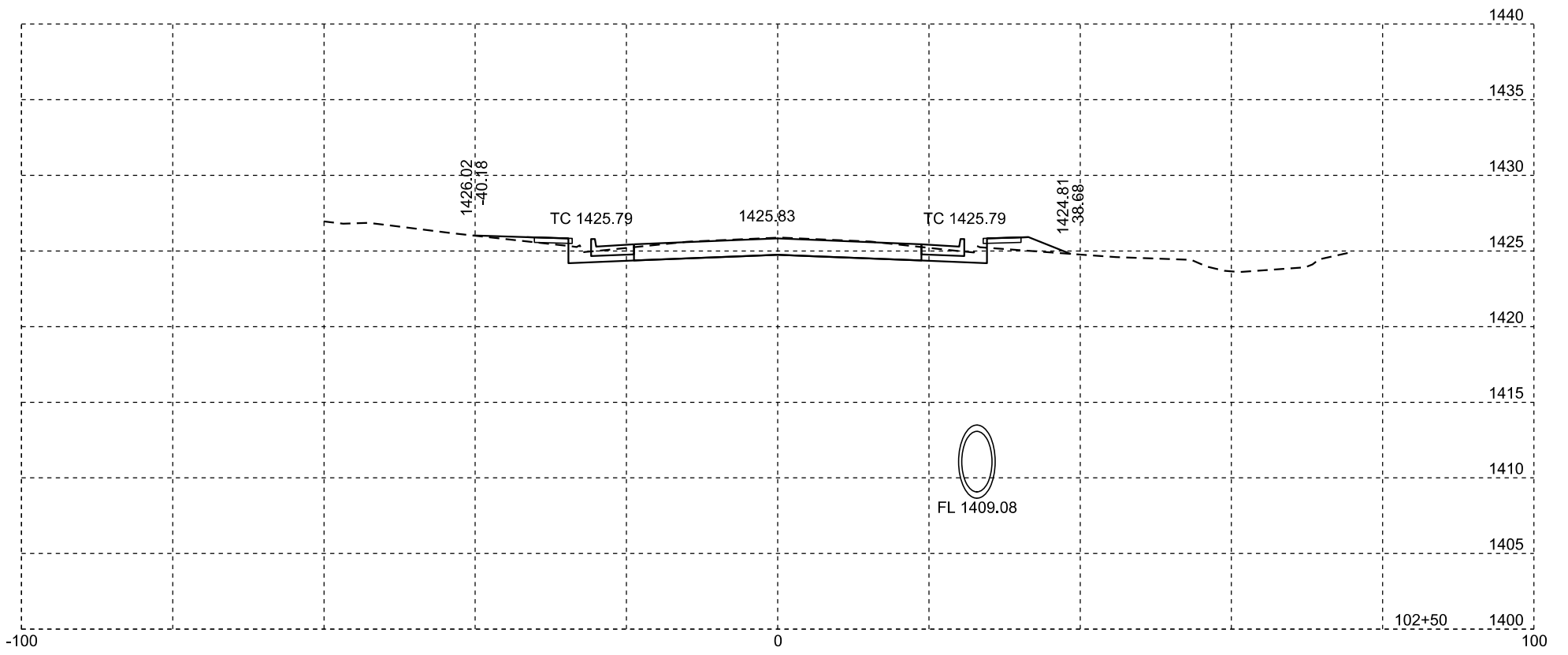
Plotting Date: 09/06/2024

| | | | |
|-----------------------------|-------------------|--------------|-----------------|
| STATE OF SOUTH DAKOTA | PROJECT | SHEET NO. | TOTAL SHEETS |
| | NH-CR 0046(69)288 | X25 | X139 |



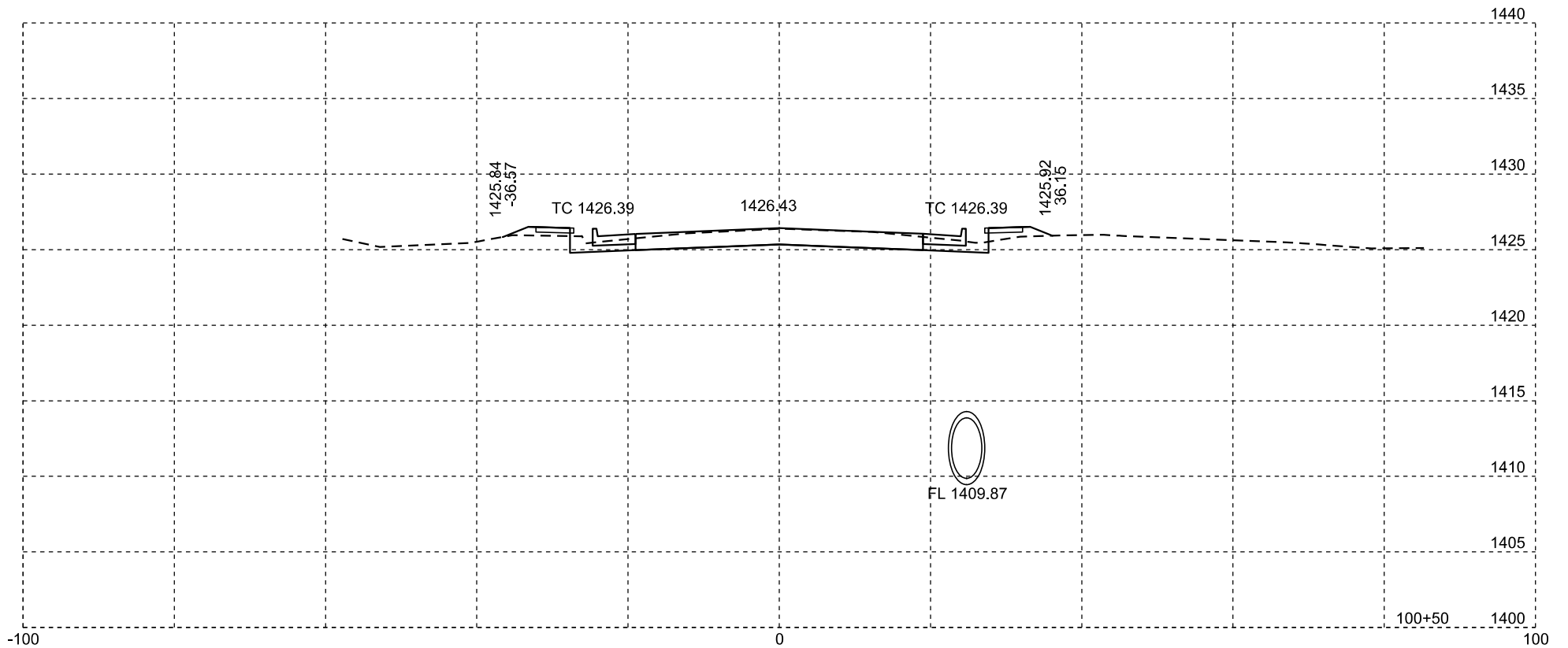
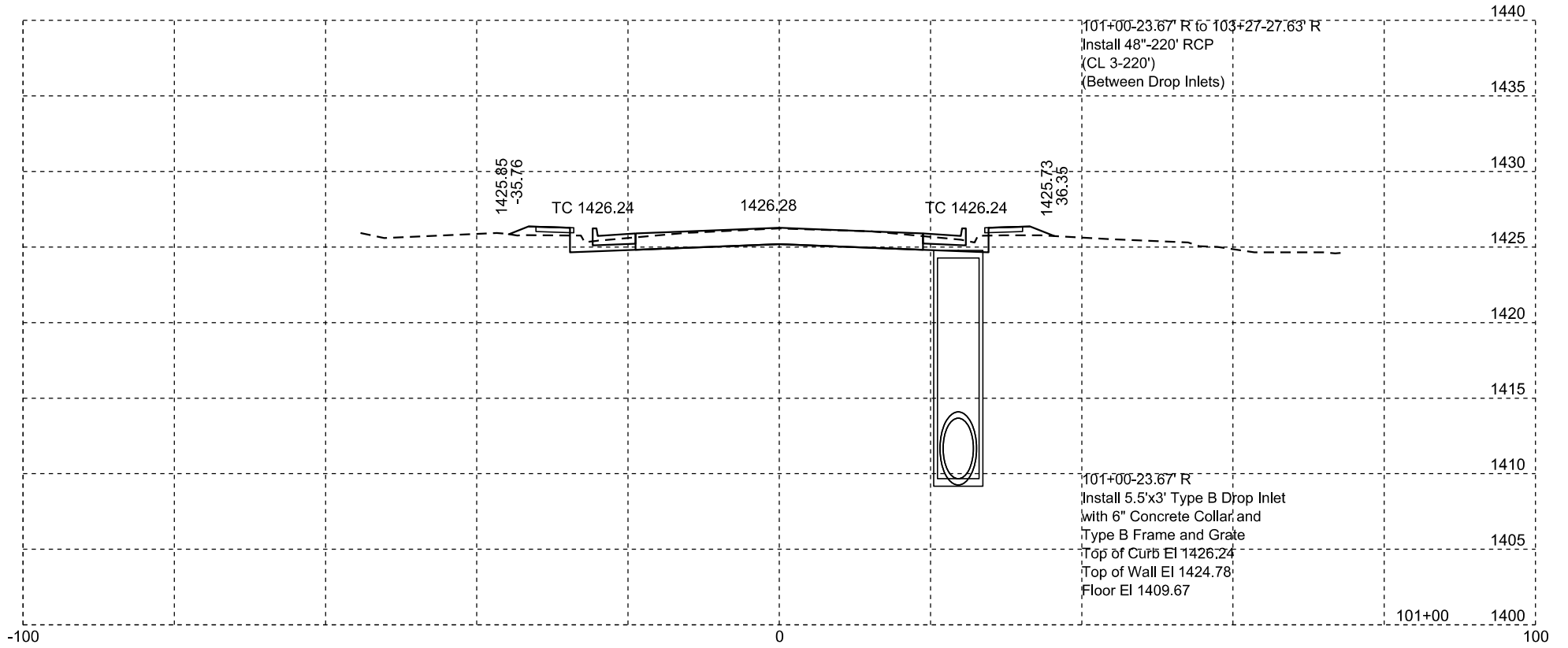
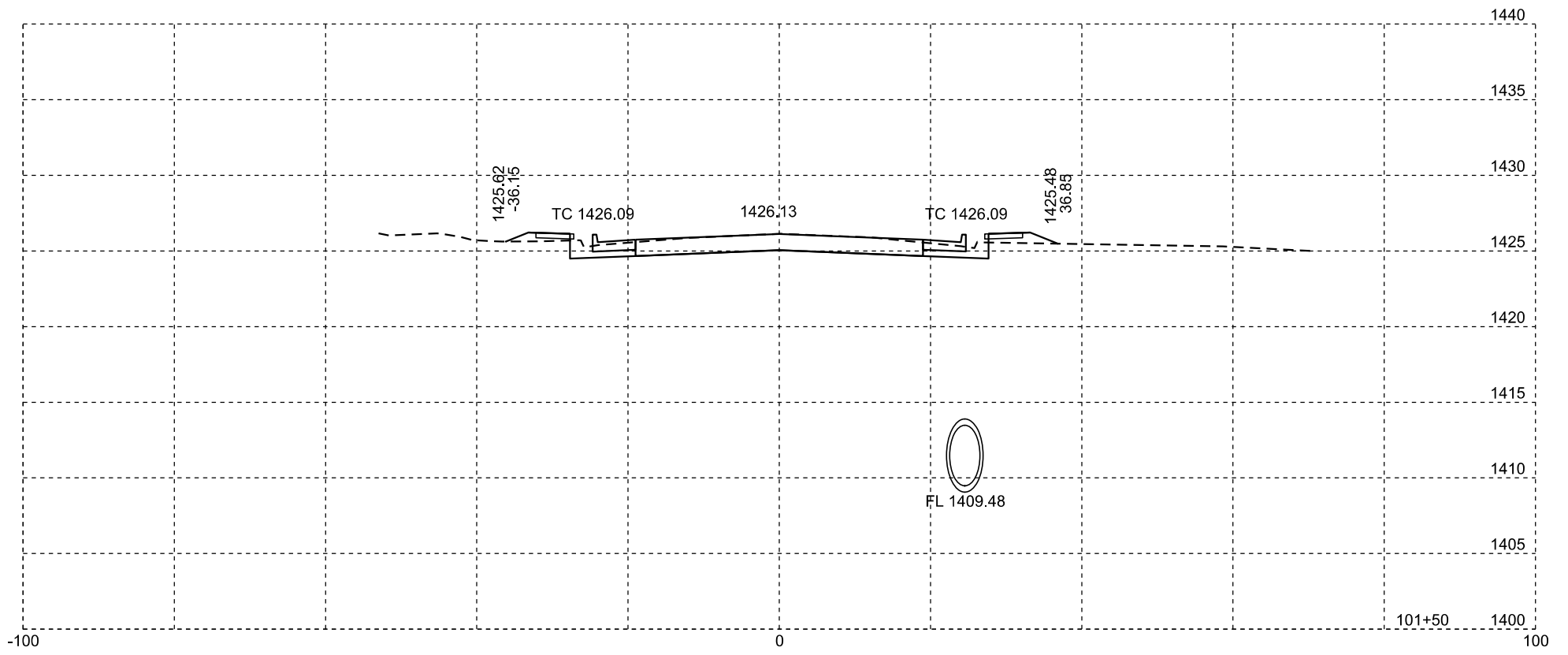
| | | | |
|-----------------------------|-------------------|--------------|-----------------|
| STATE OF SOUTH DAKOTA | PROJECT | SHEET NO. | TOTAL SHEETS |
| | NH-CR 0046(69)288 | X26 | X139 |

Plotting Date: 09/06/2024



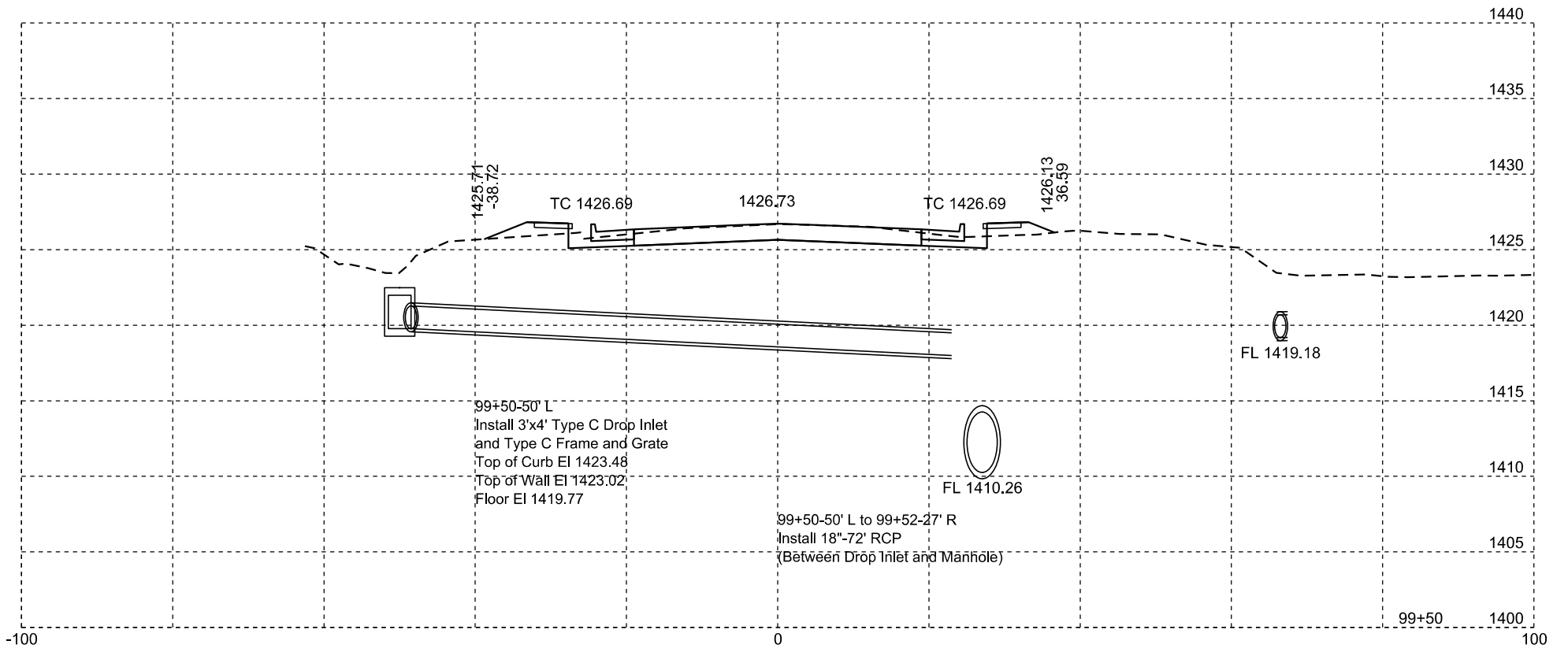
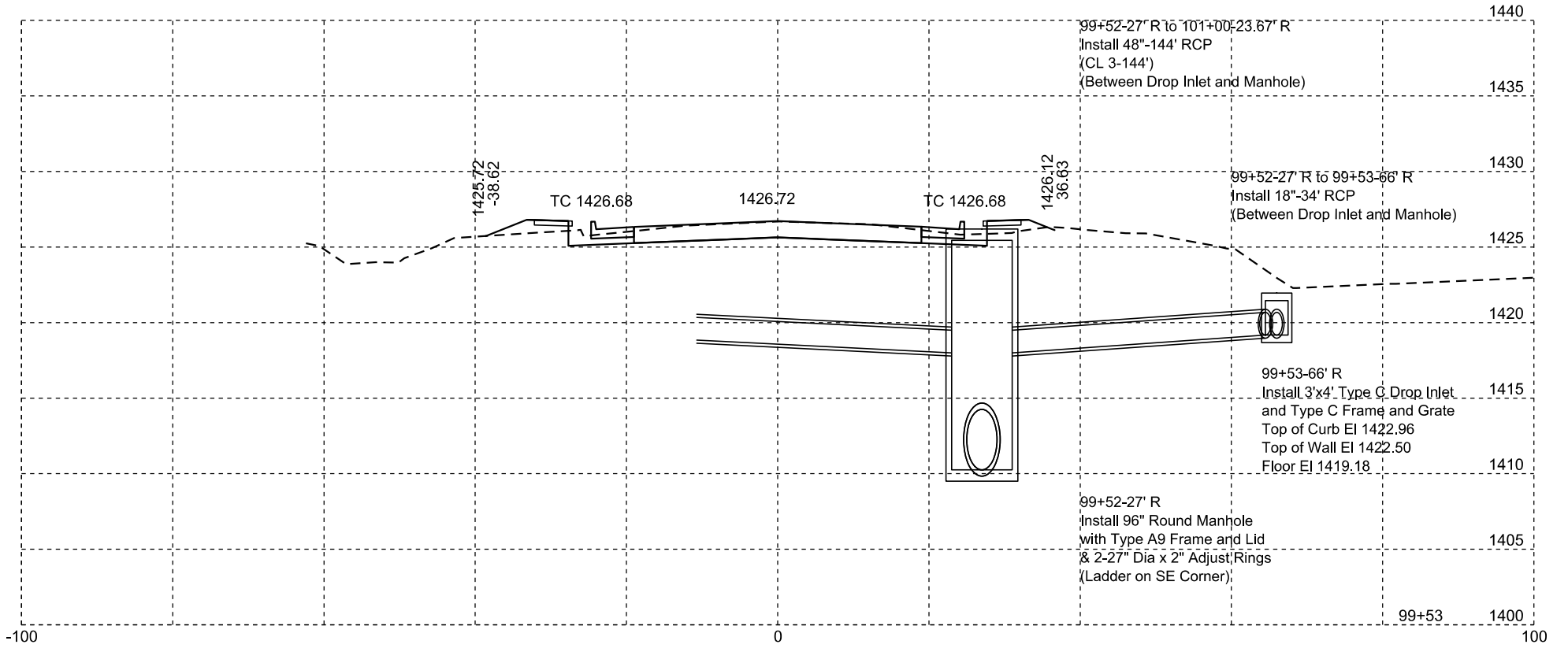
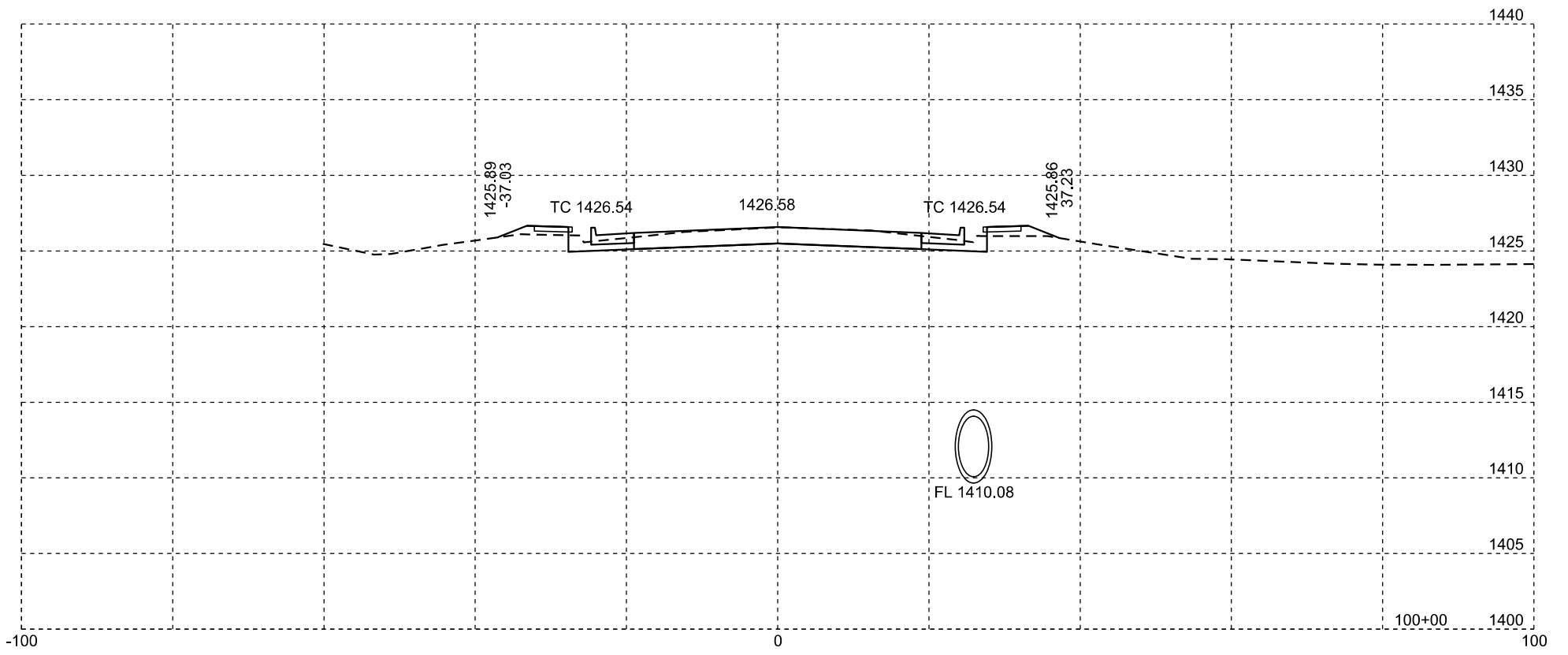
Plotting Date: 09/06/2024

| | | | |
|-----------------------------|-------------------|--------------|-----------------|
| STATE OF SOUTH DAKOTA | PROJECT | SHEET NO. | TOTAL SHEETS |
| | NH-CR 0046(69)288 | X27 | X139 |



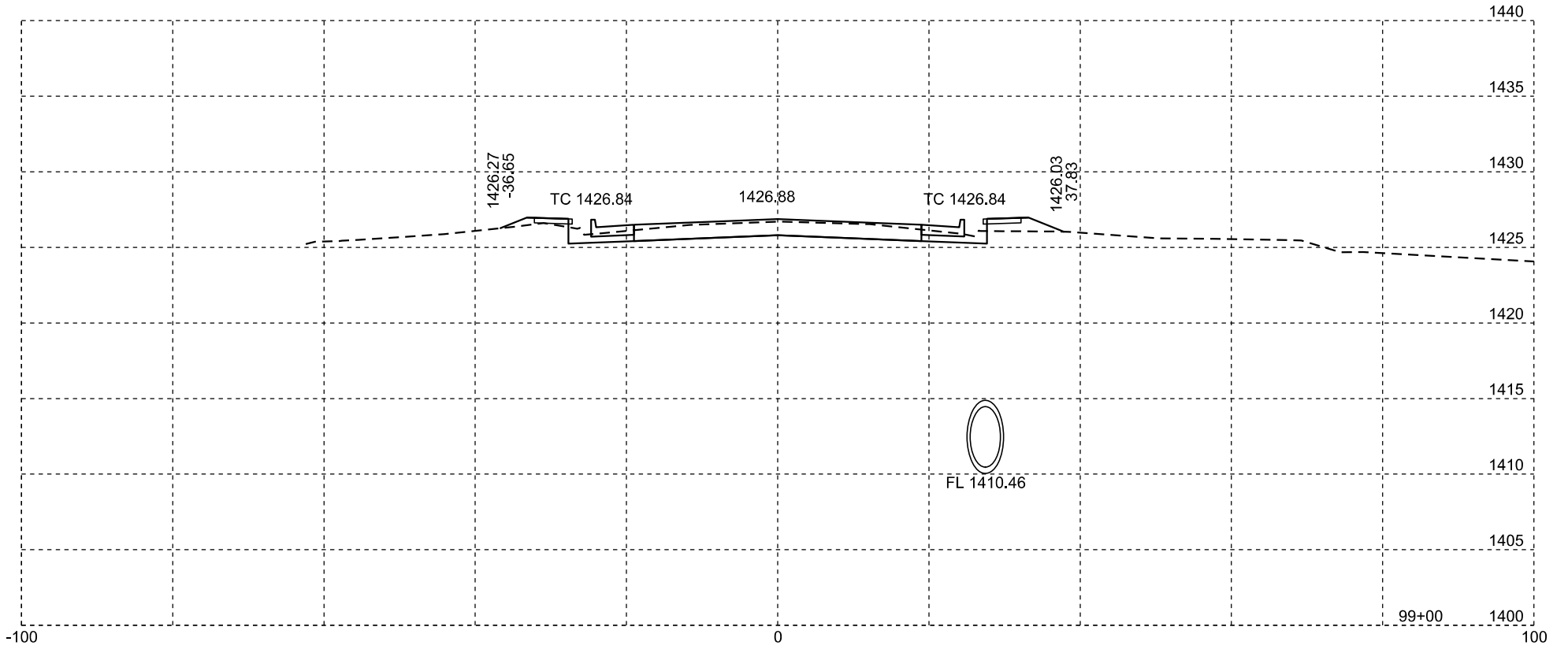
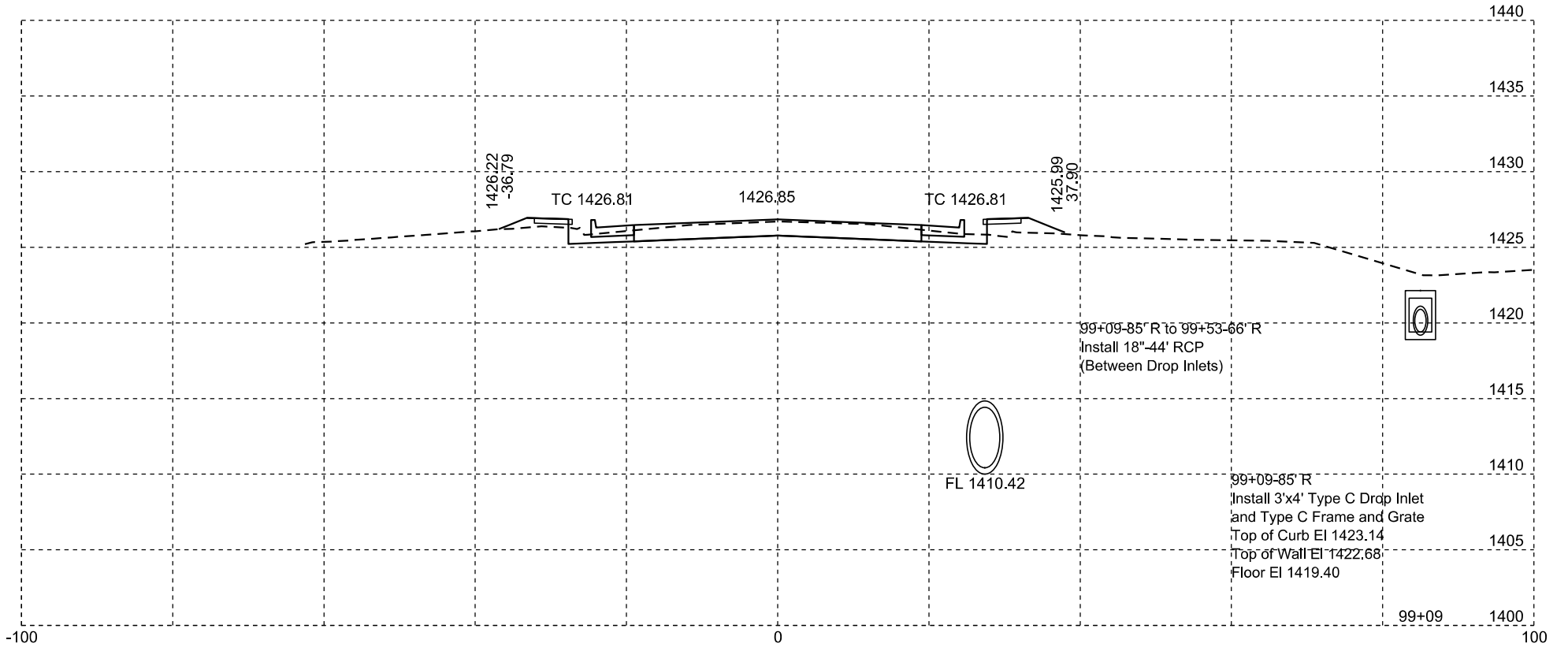
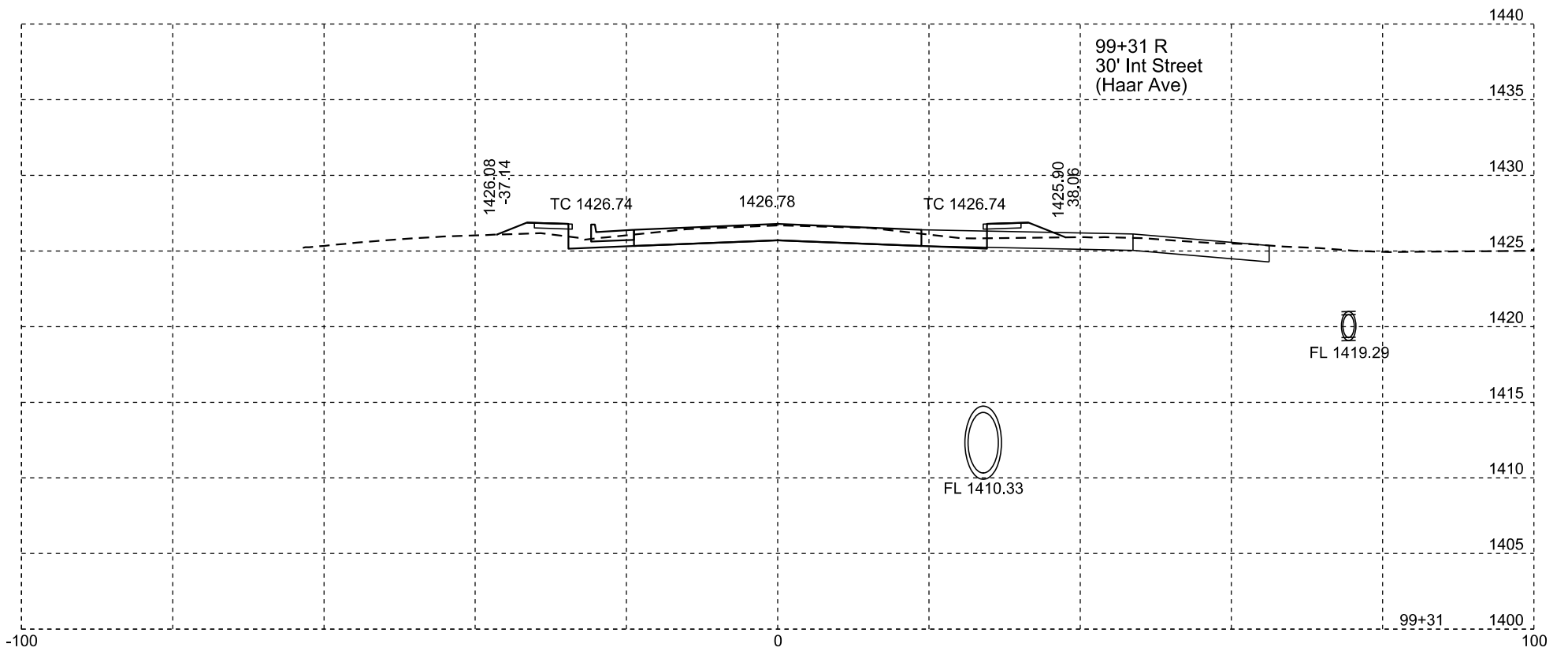
Plotting Date: 09/06/2024

| | | | |
|-----------------------------|-------------------|--------------|-----------------|
| STATE OF SOUTH DAKOTA | PROJECT | SHEET NO. | TOTAL SHEETS |
| | NH-CR 0046(69)288 | X28 | X139 |



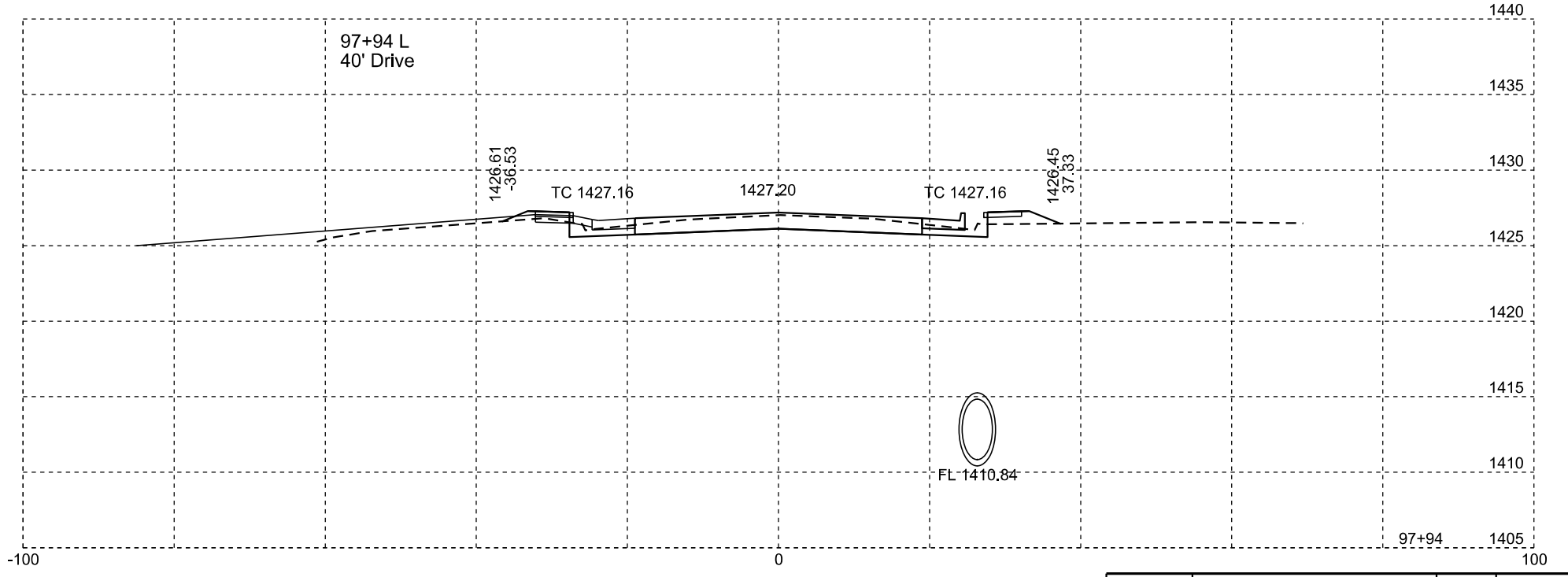
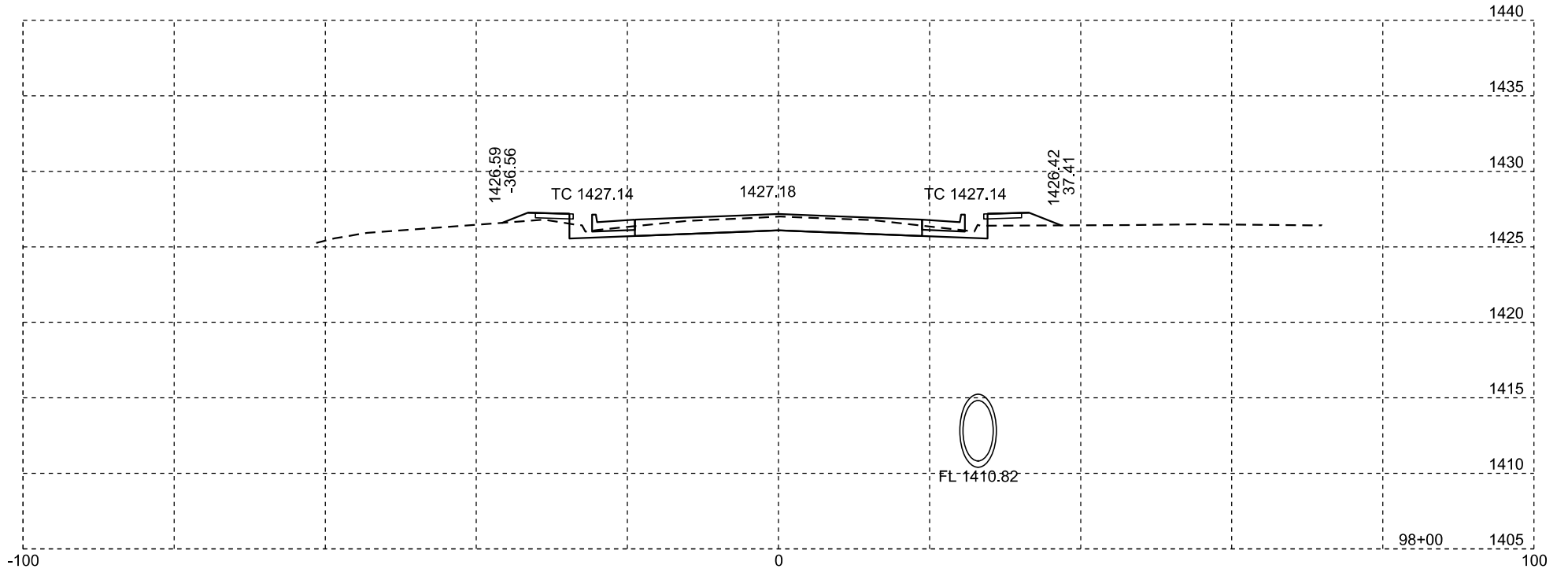
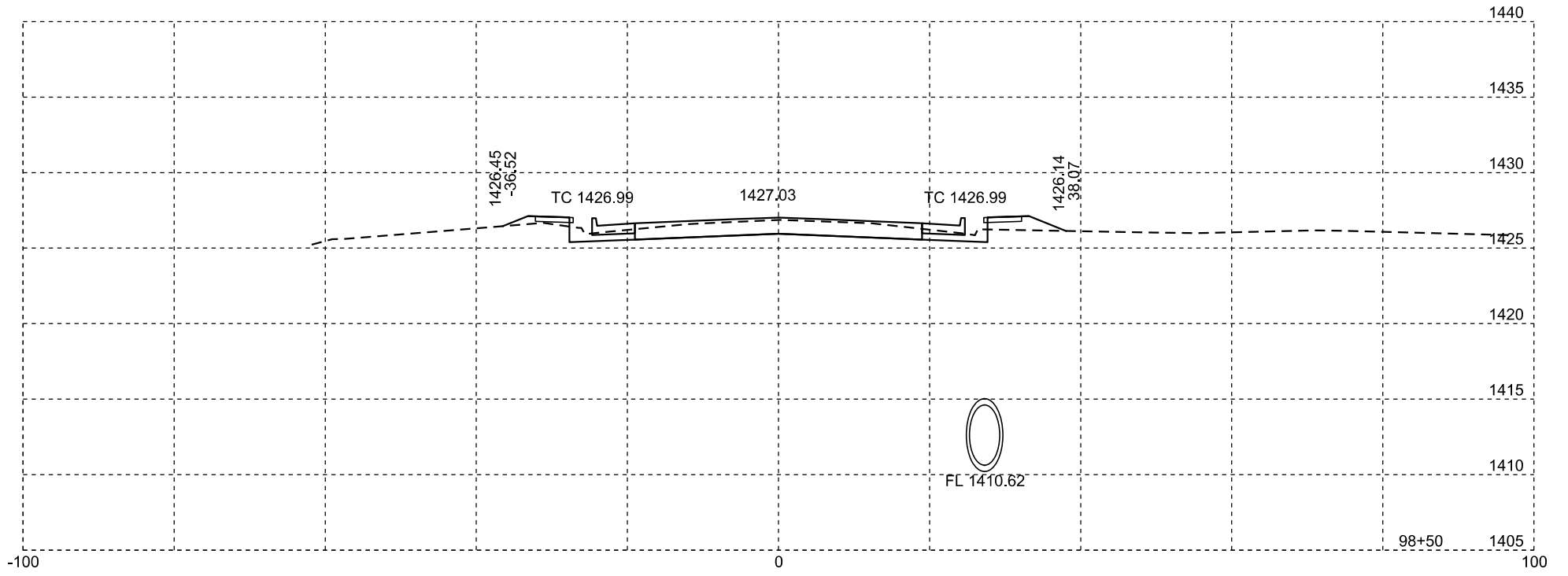
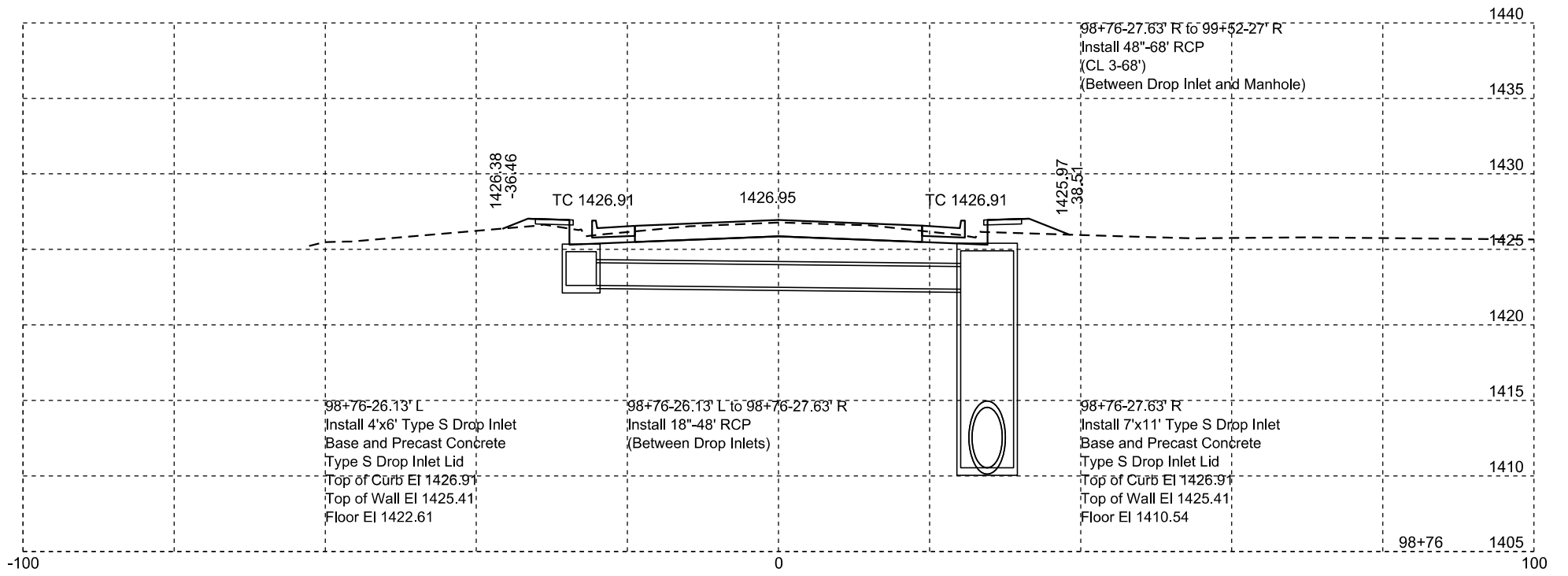
Plotting Date: 09/06/2024

| | | | |
|-----------------------------|-------------------|--------------|-----------------|
| STATE OF SOUTH DAKOTA | PROJECT | SHEET NO. | TOTAL SHEETS |
| | NH-CR 0046(69)288 | X29 | X139 |



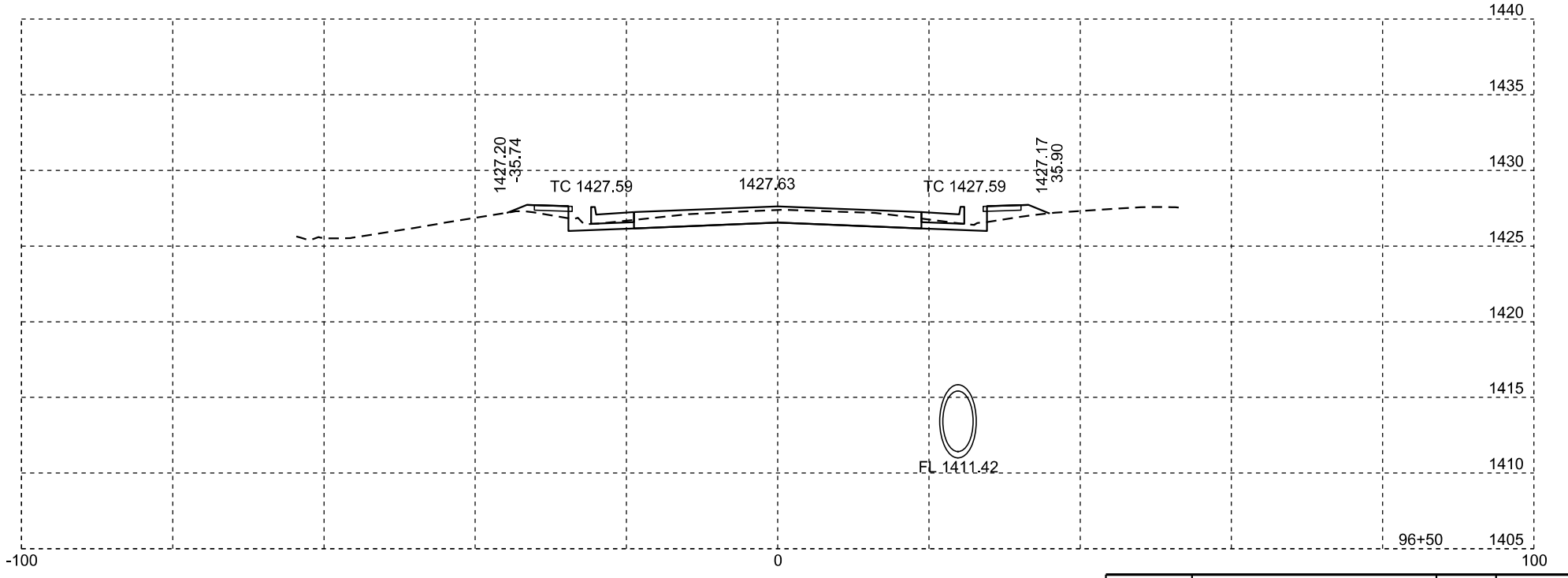
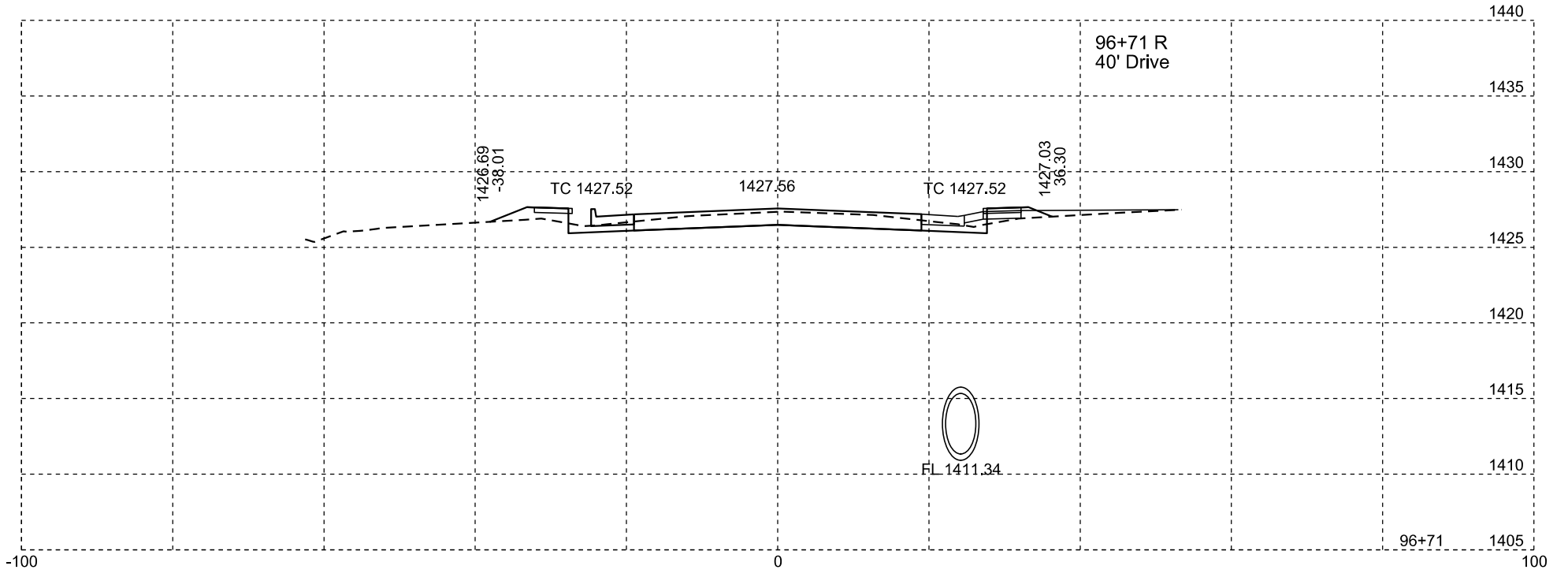
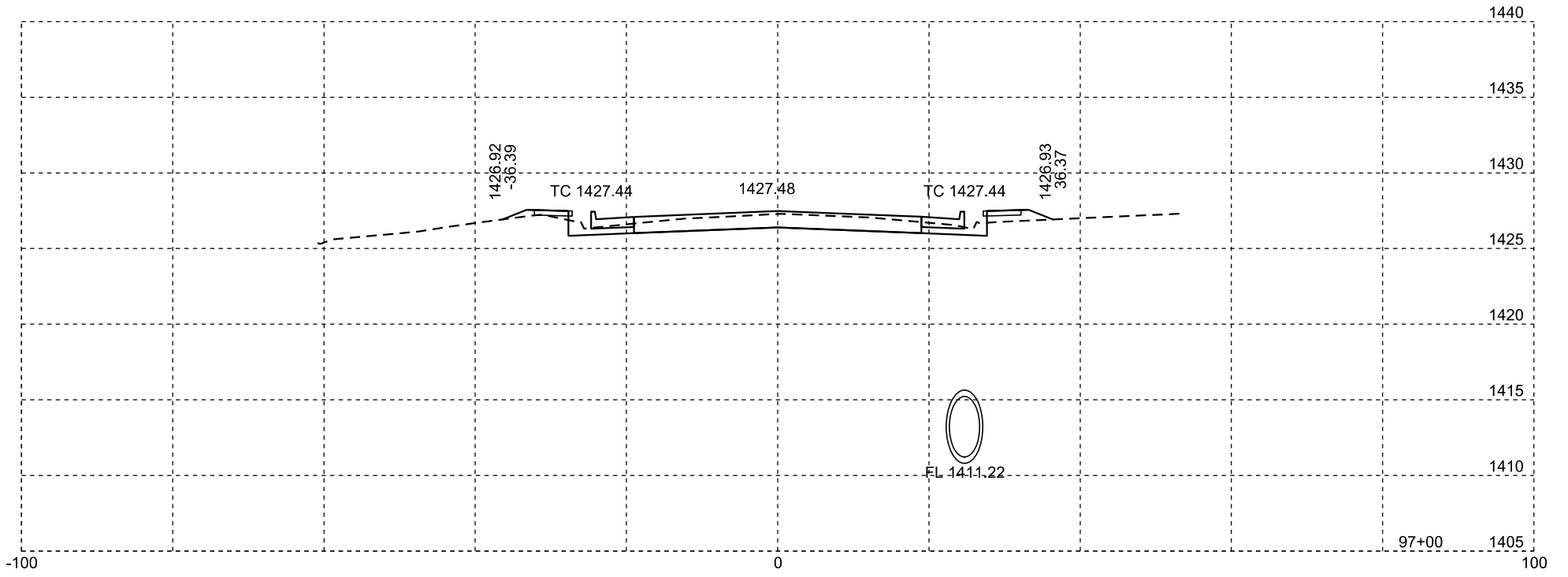
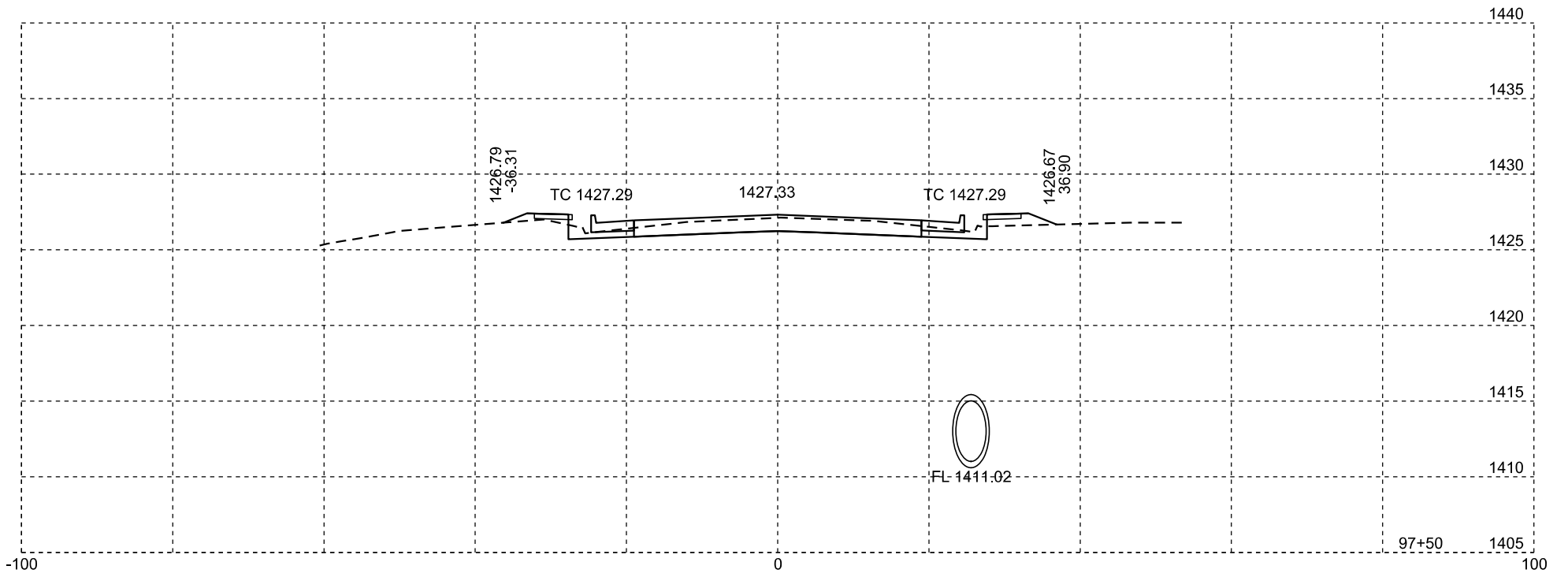
Plotting Date: 09/06/2024

| | | | |
|-----------------------------|-------------------|--------------|-----------------|
| STATE OF SOUTH DAKOTA | PROJECT | SHEET NO. | TOTAL SHEETS |
| | NH-CR 0046(69)288 | X30 | X139 |



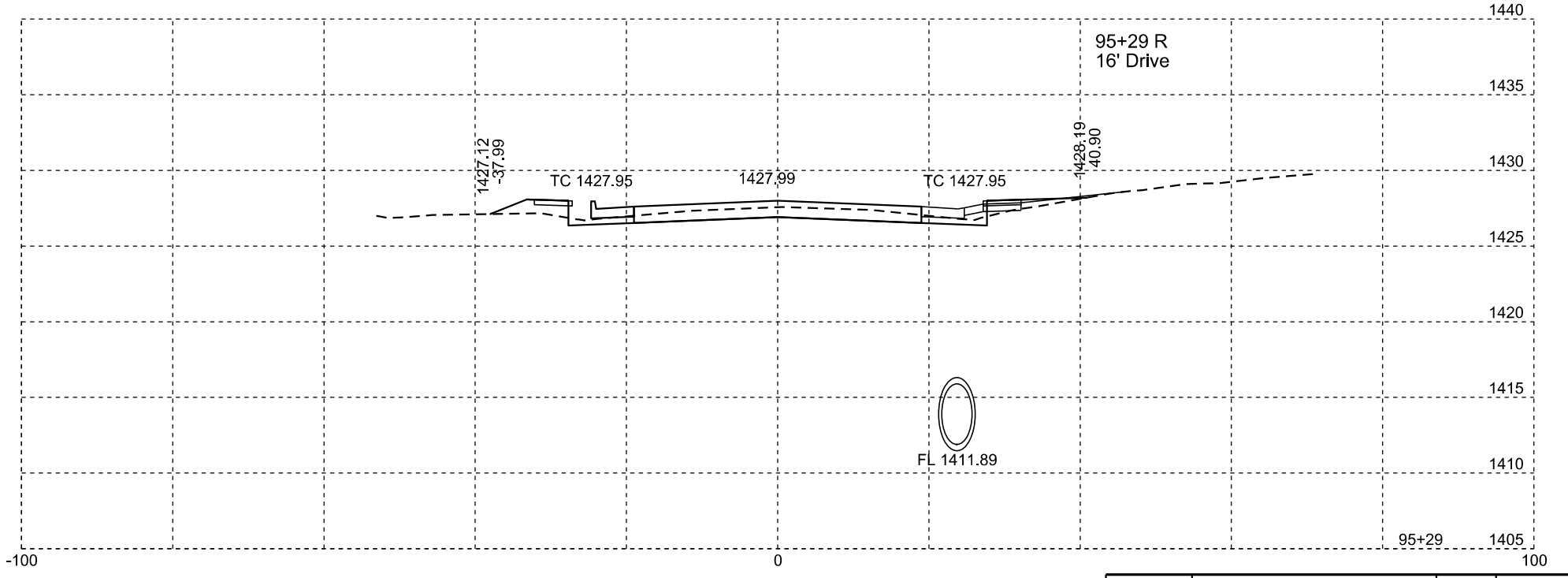
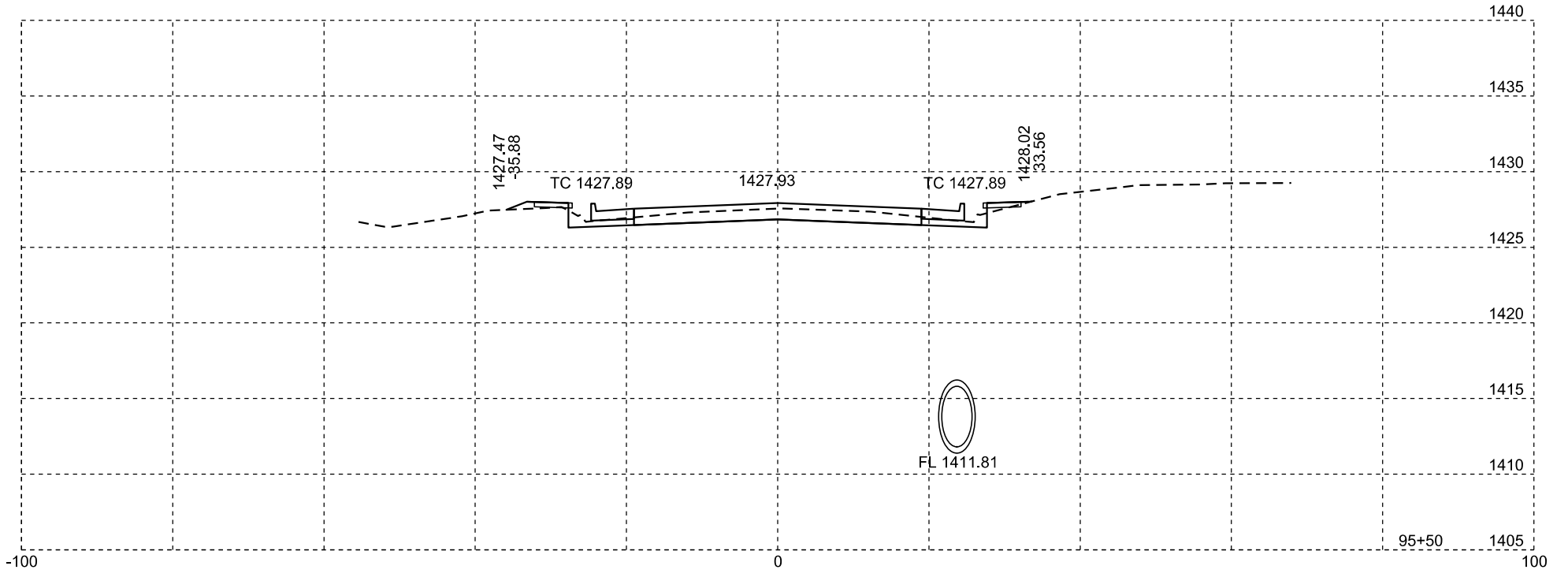
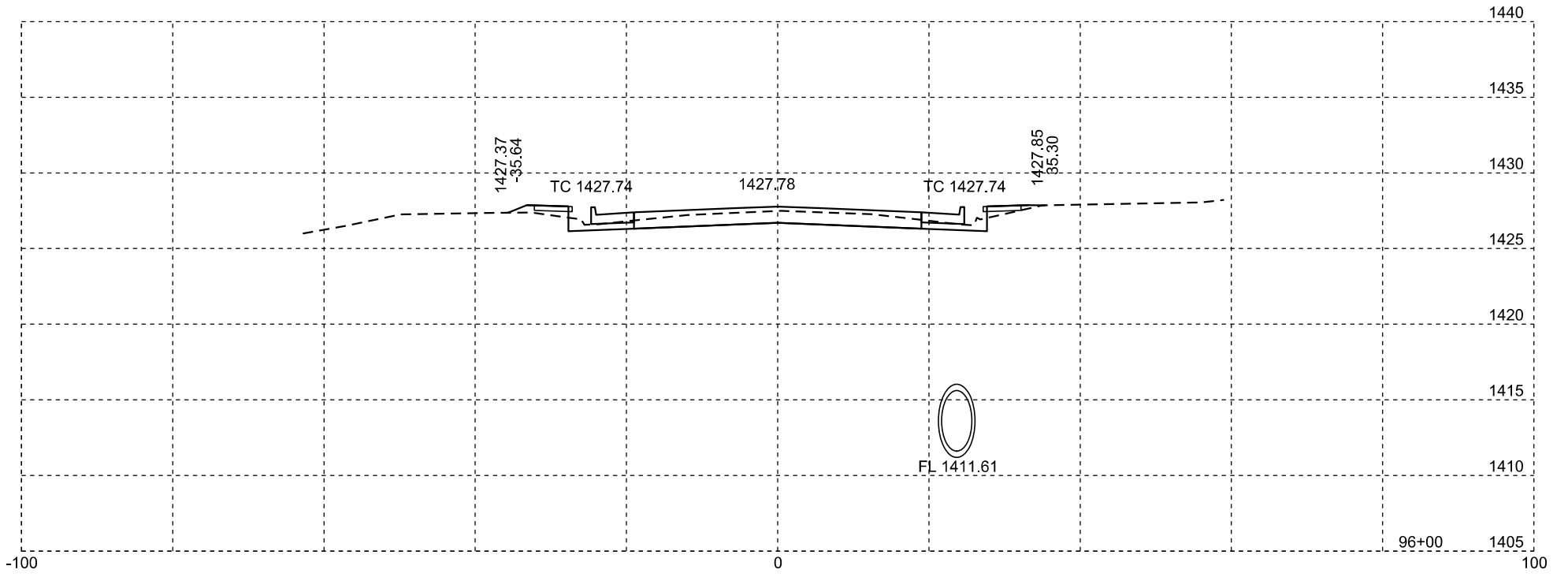
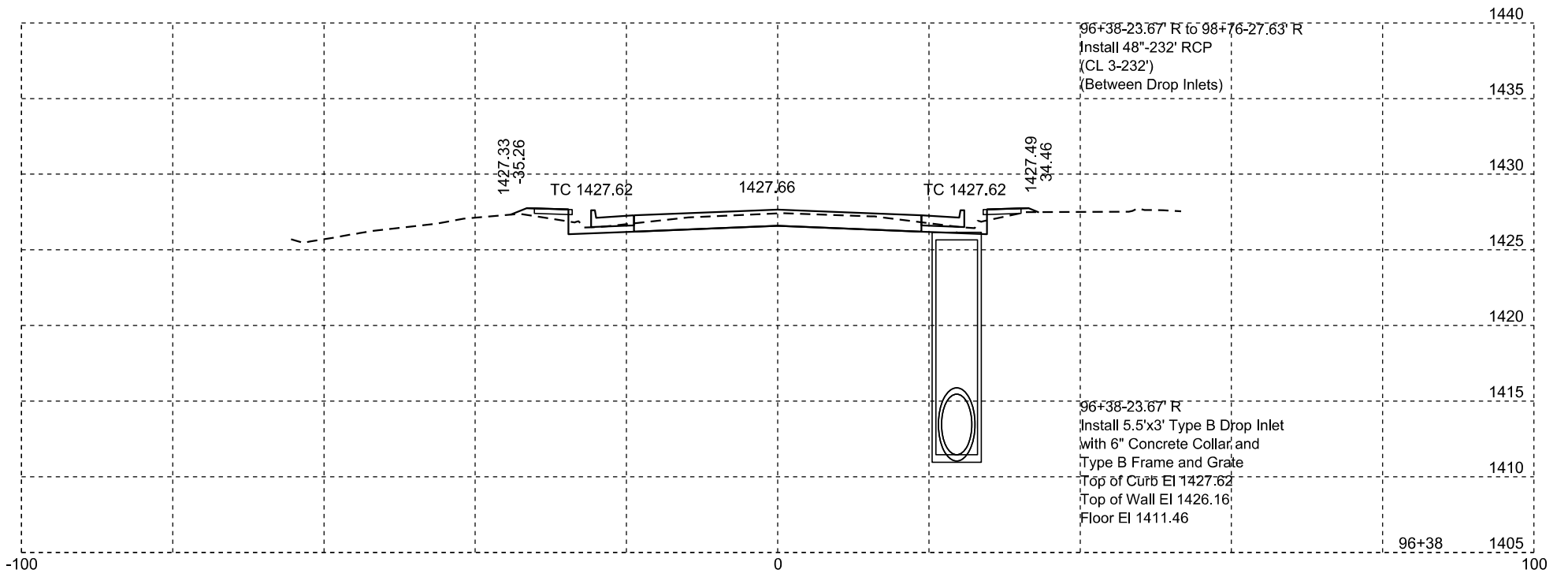
Plotting Date: 09/06/2024

| | | | |
|-----------------------------|-------------------|--------------|-----------------|
| STATE OF SOUTH DAKOTA | PROJECT | SHEET NO. | TOTAL SHEETS |
| | NH-CR 0046(69)288 | X31 | X139 |



Plotting Date: 09/06/2024

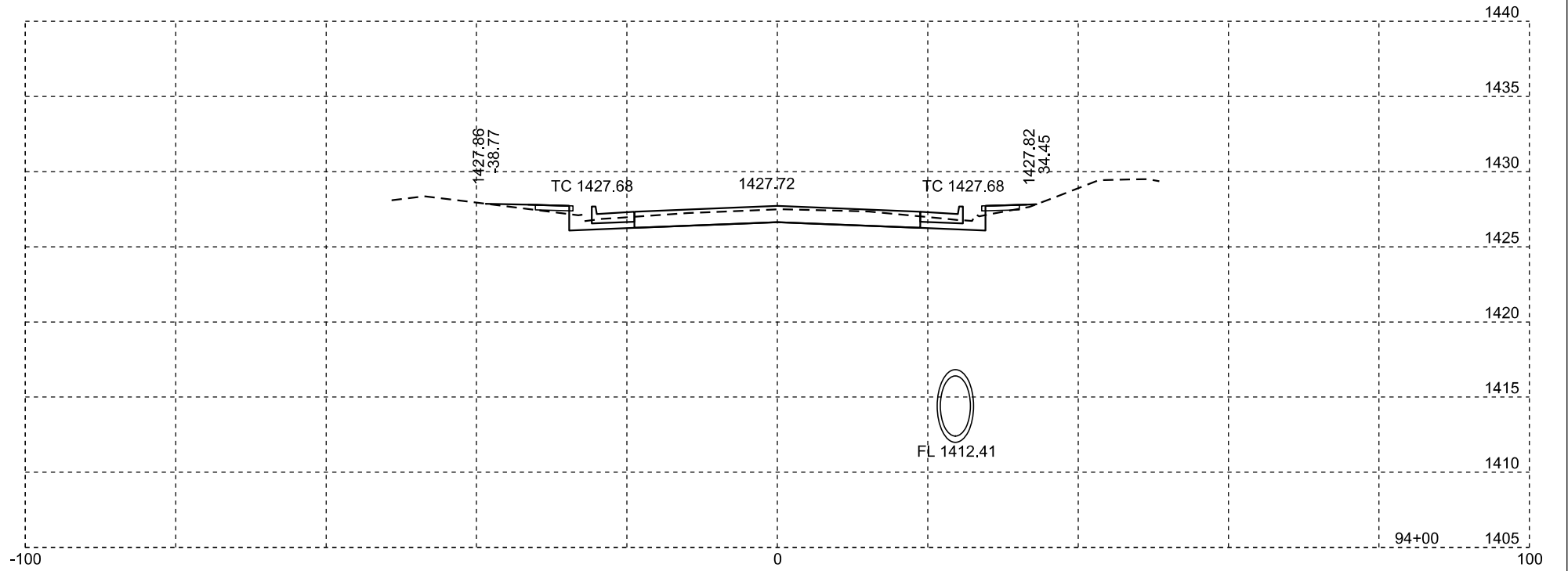
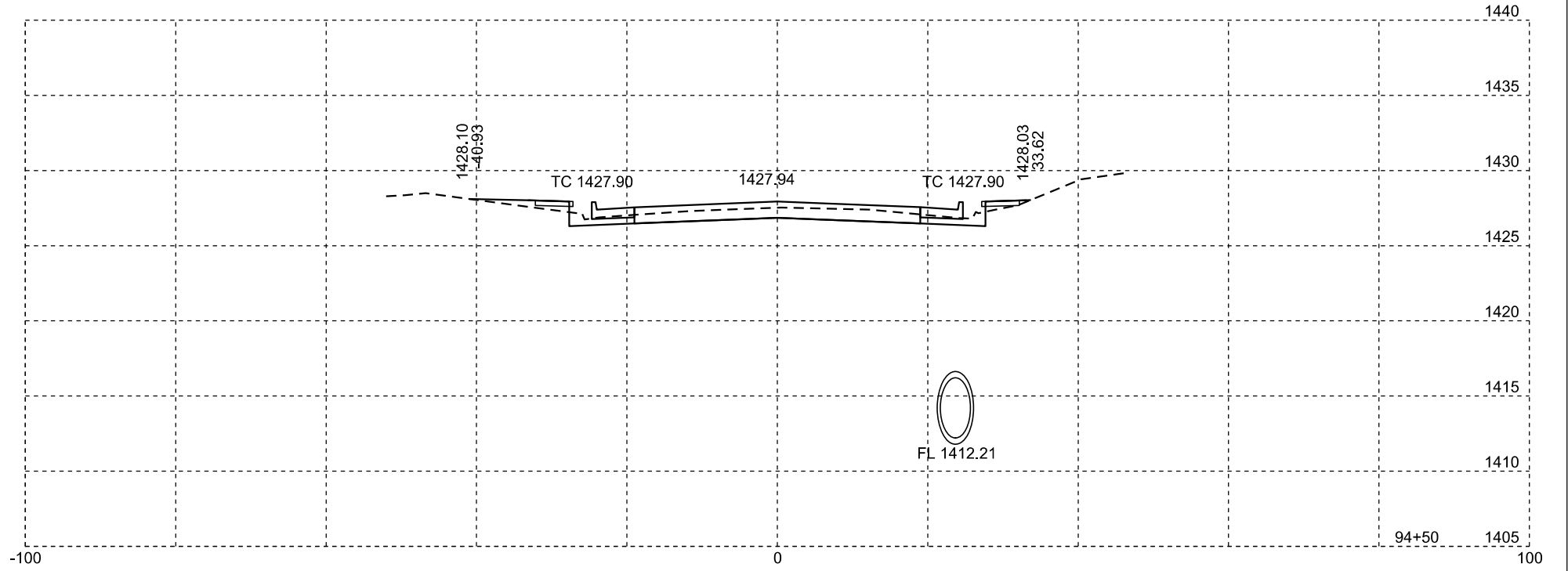
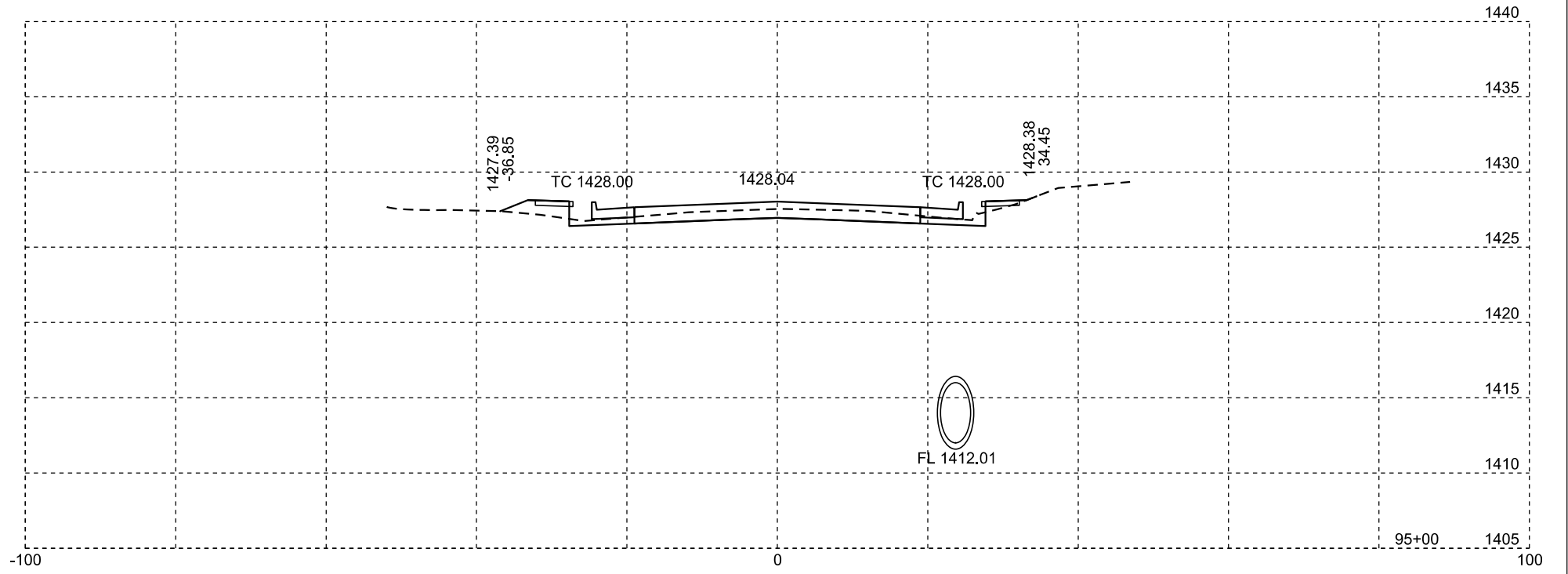
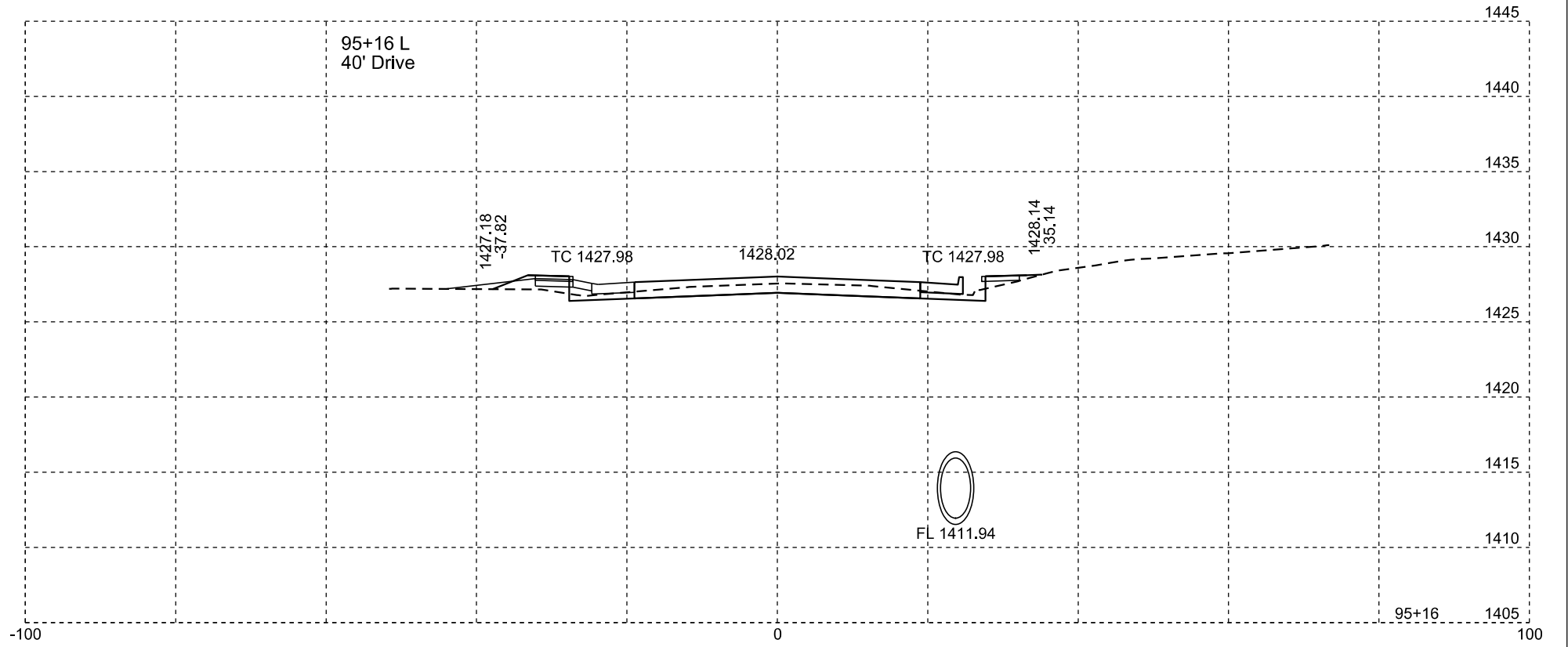
| | | | |
|-----------------------------|-------------------|--------------|-----------------|
| STATE OF SOUTH DAKOTA | PROJECT | SHEET NO. | TOTAL SHEETS |
| | NH-CR 0046(69)288 | X32 | X139 |



Plotting Date: 09/06/2024

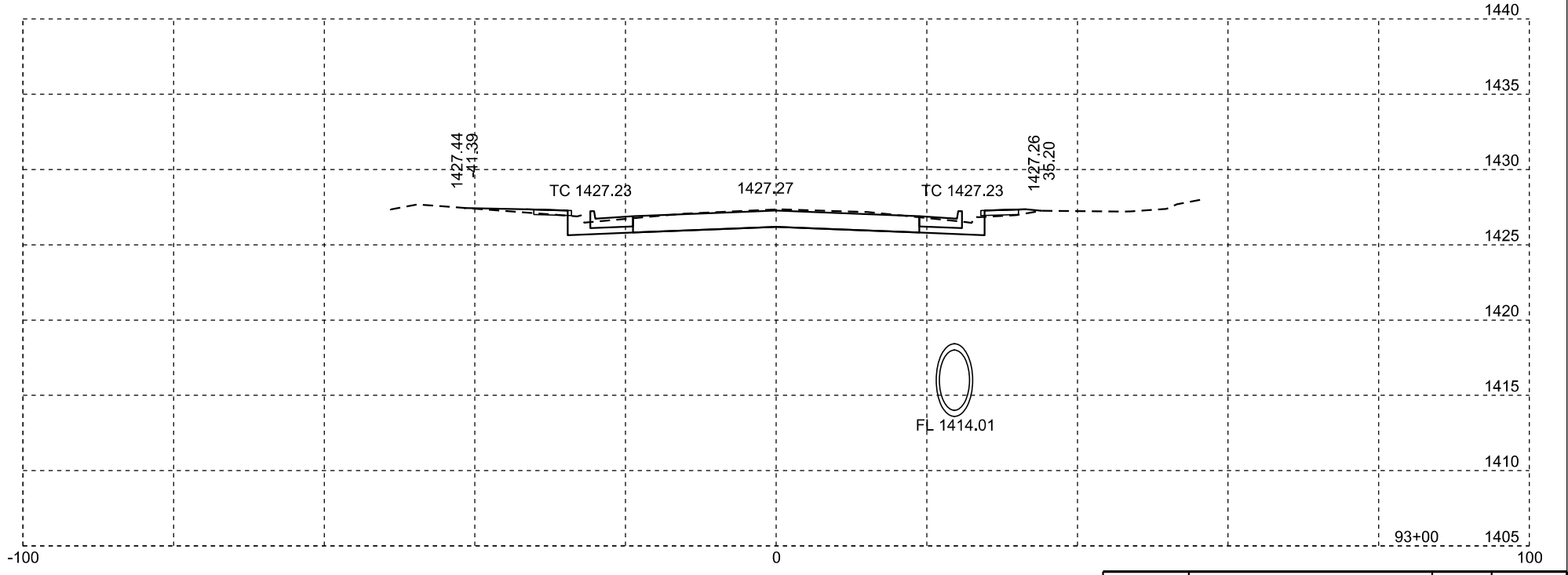
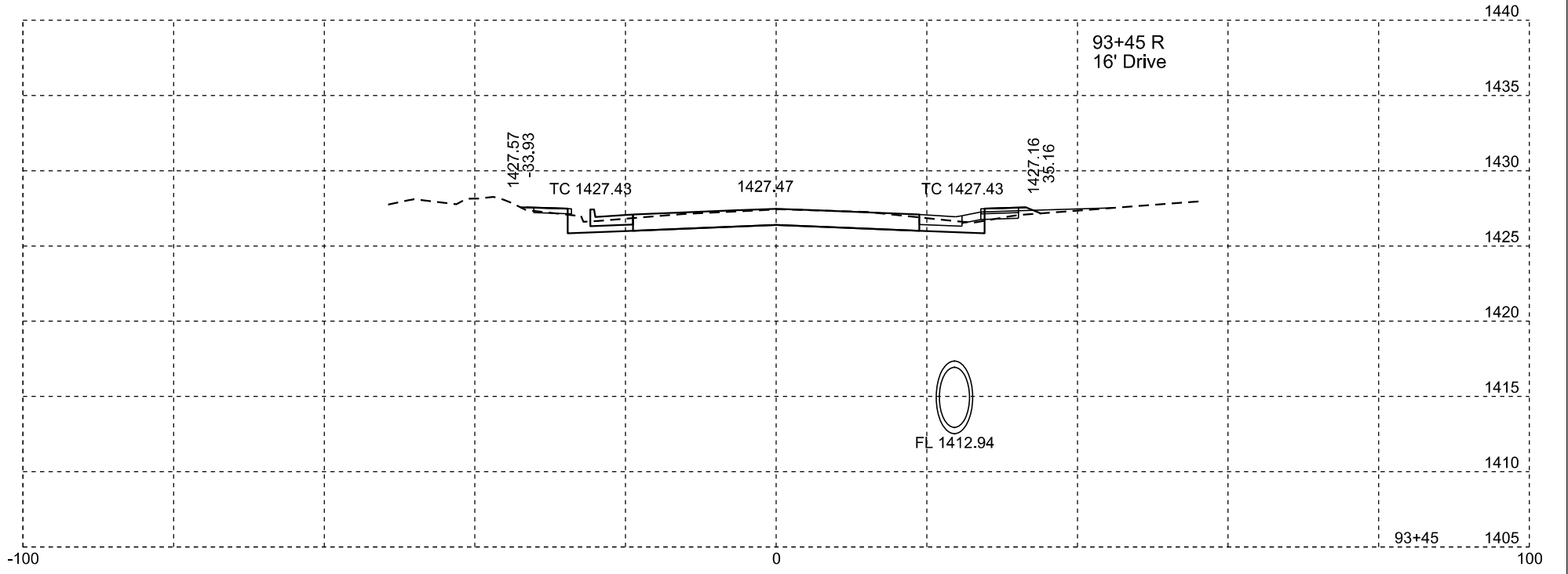
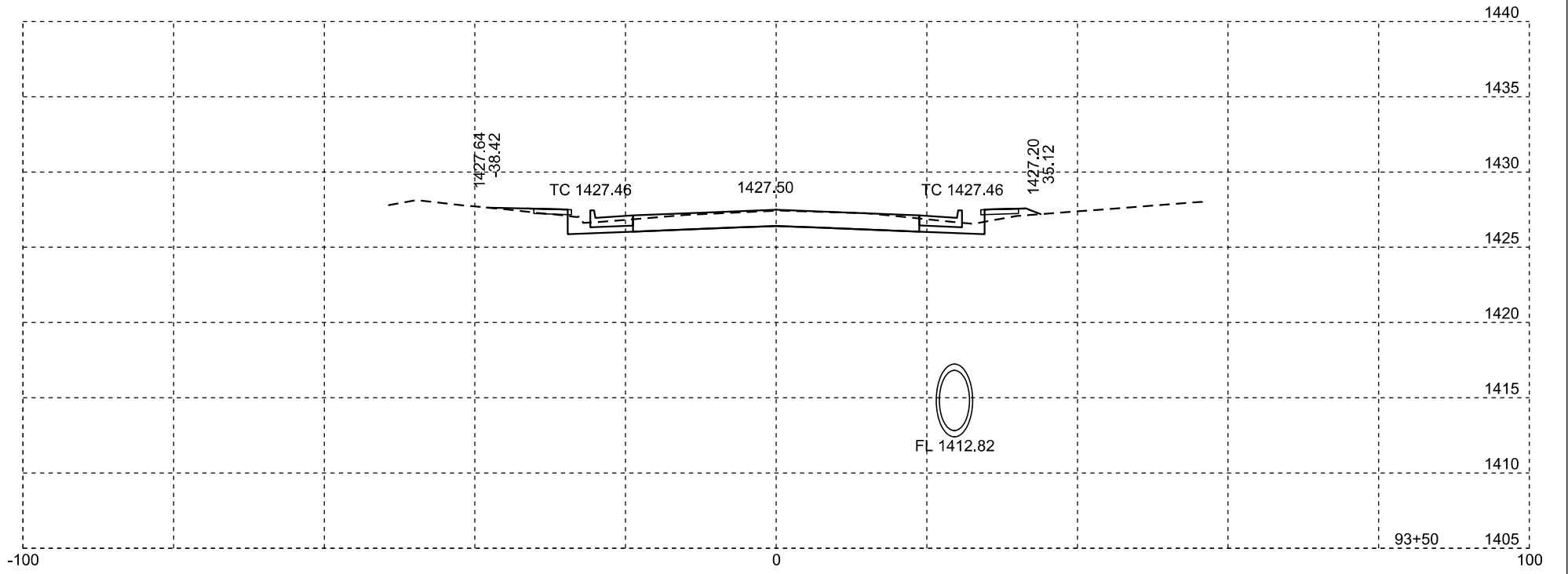
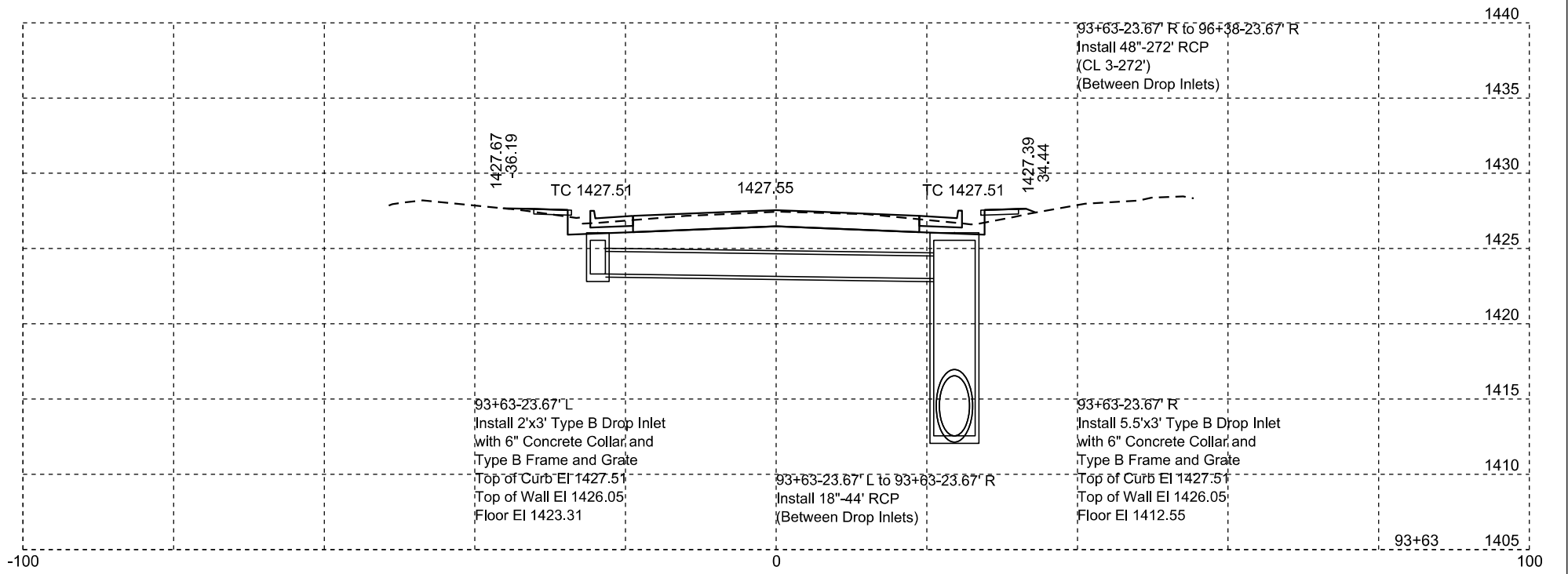
| STATE OF SOUTH DAKOTA | PROJECT | SHEET NO. | TOTAL SHEETS |
|-----------------------------|-------------------|--------------|-----------------|
| | NH-CR 0046(69)288 | X33 | X139 |

95+16 L
40' Drive



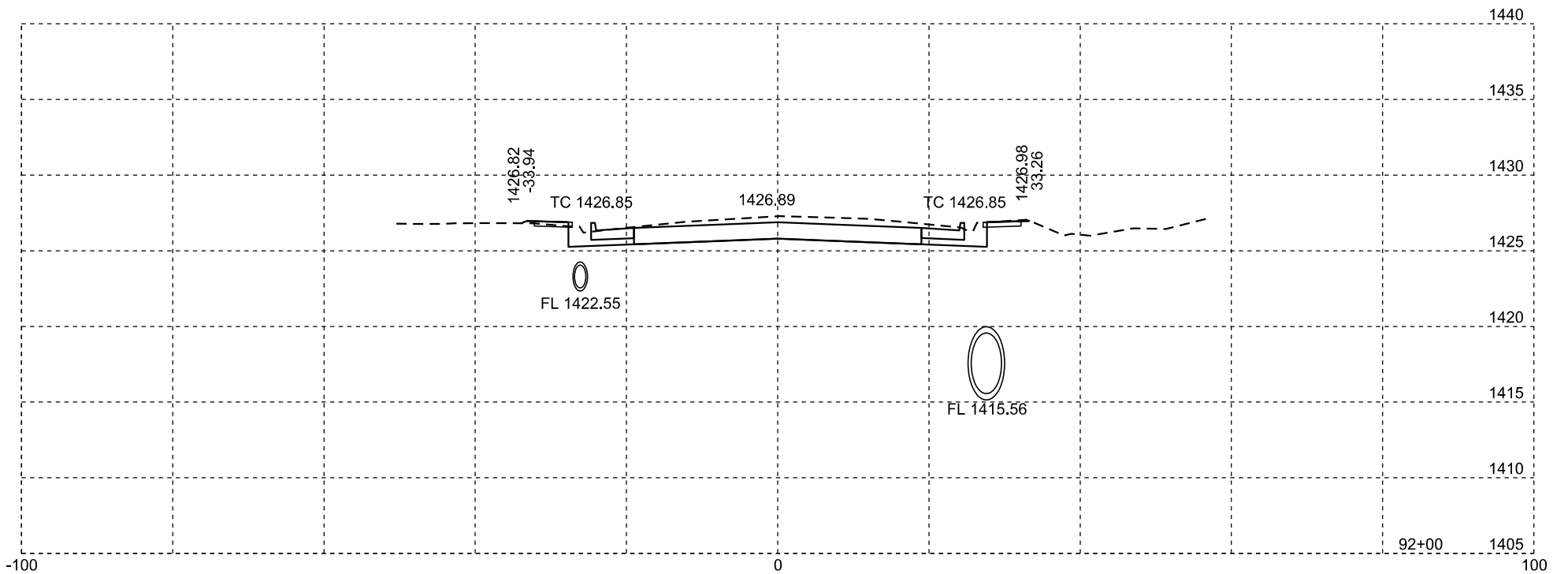
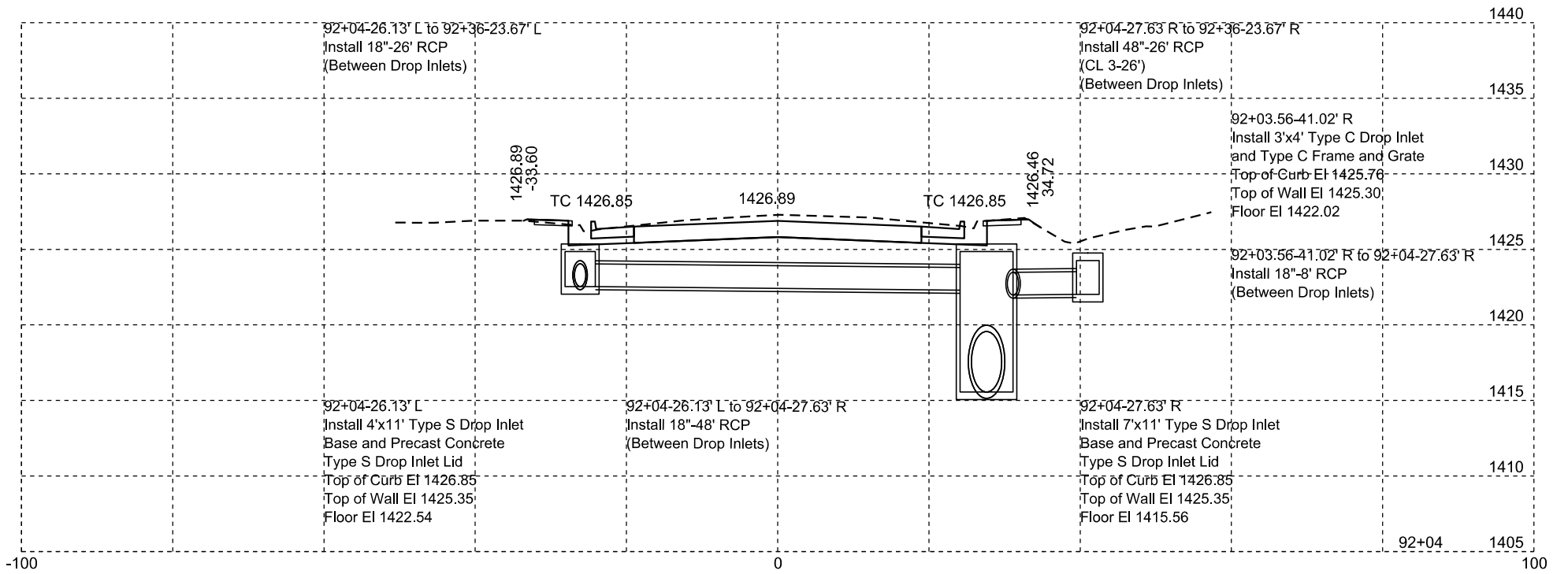
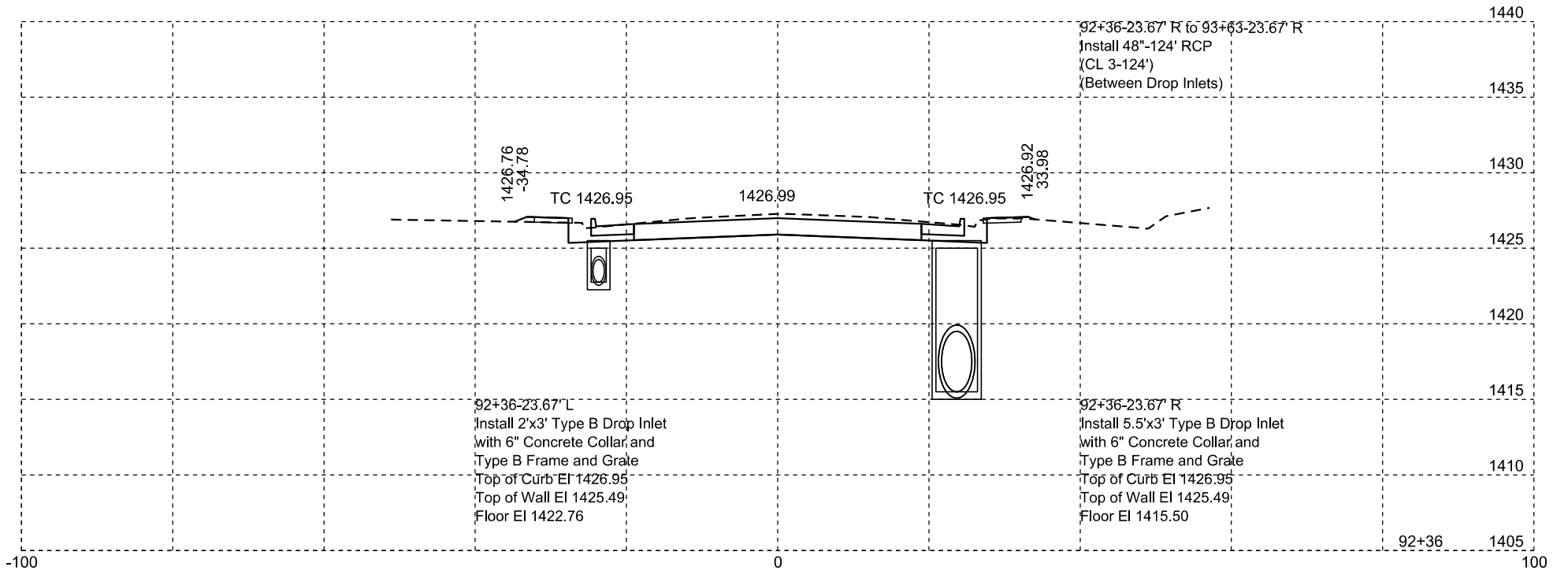
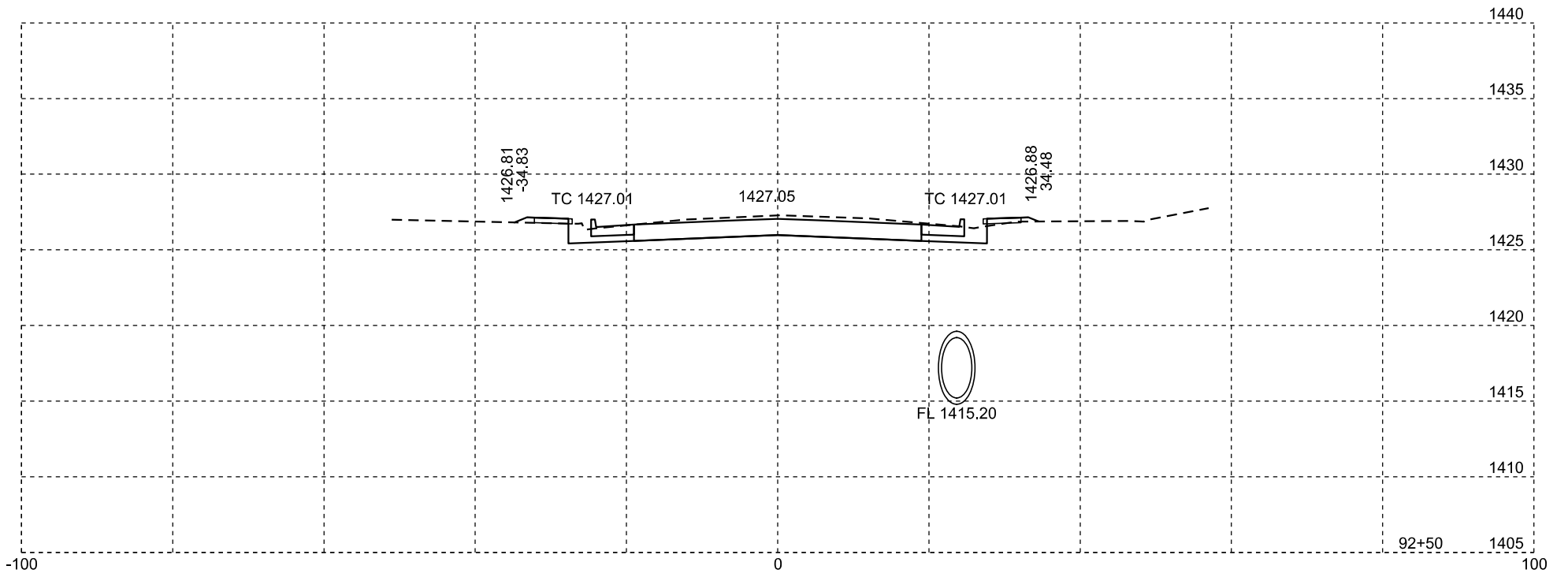
Plotting Date: 09/06/2024

| | | | |
|-----------------------------|-------------------|--------------|-----------------|
| STATE OF SOUTH DAKOTA | PROJECT | SHEET NO. | TOTAL SHEETS |
| | NH-CR 0046(69)288 | X34 | X139 |



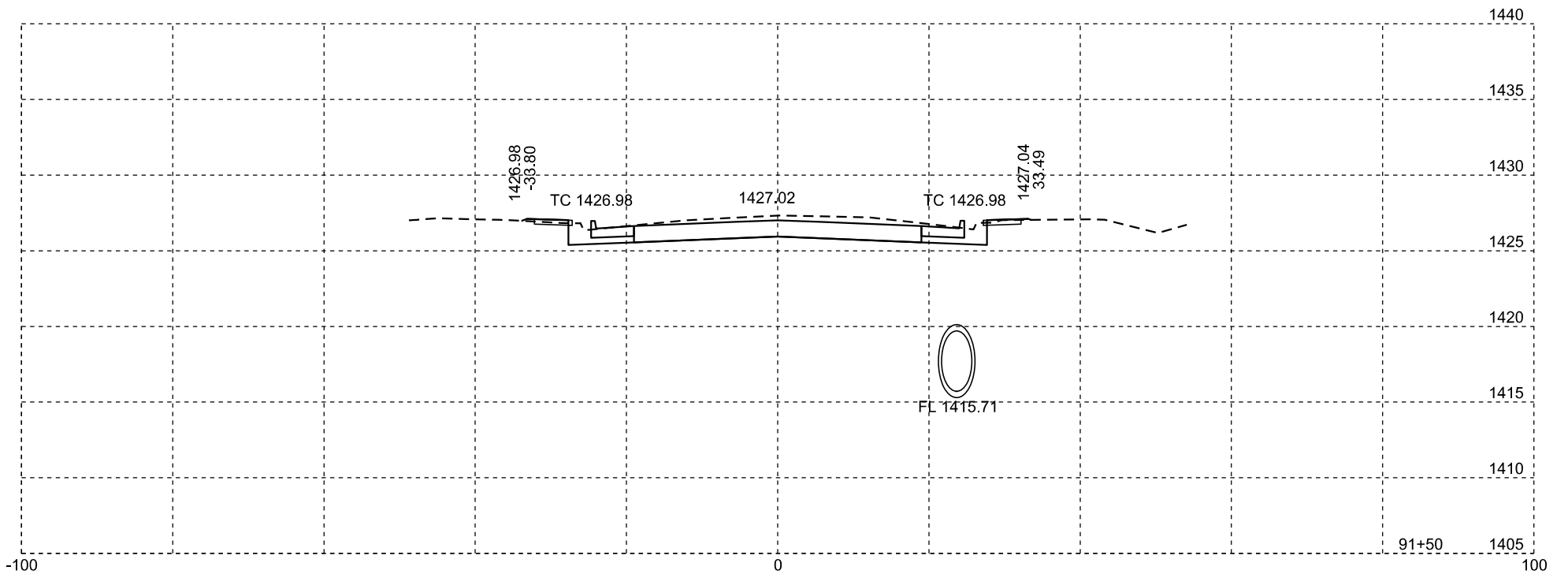
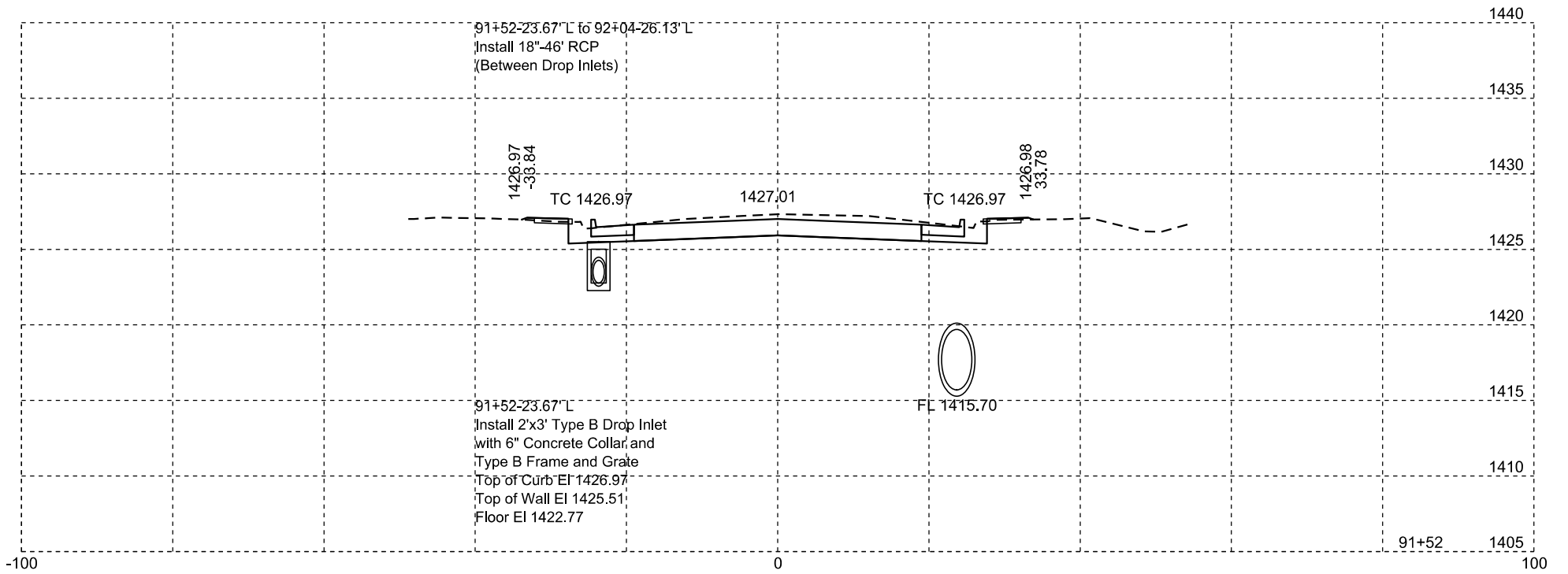
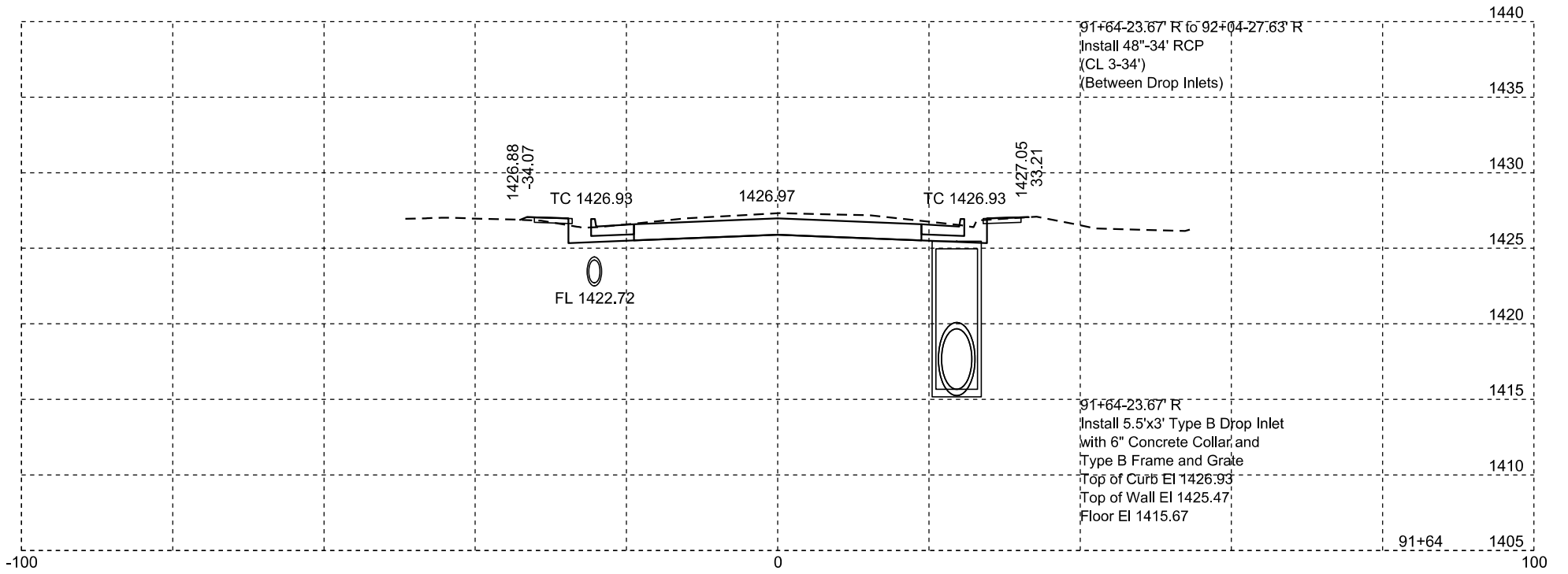
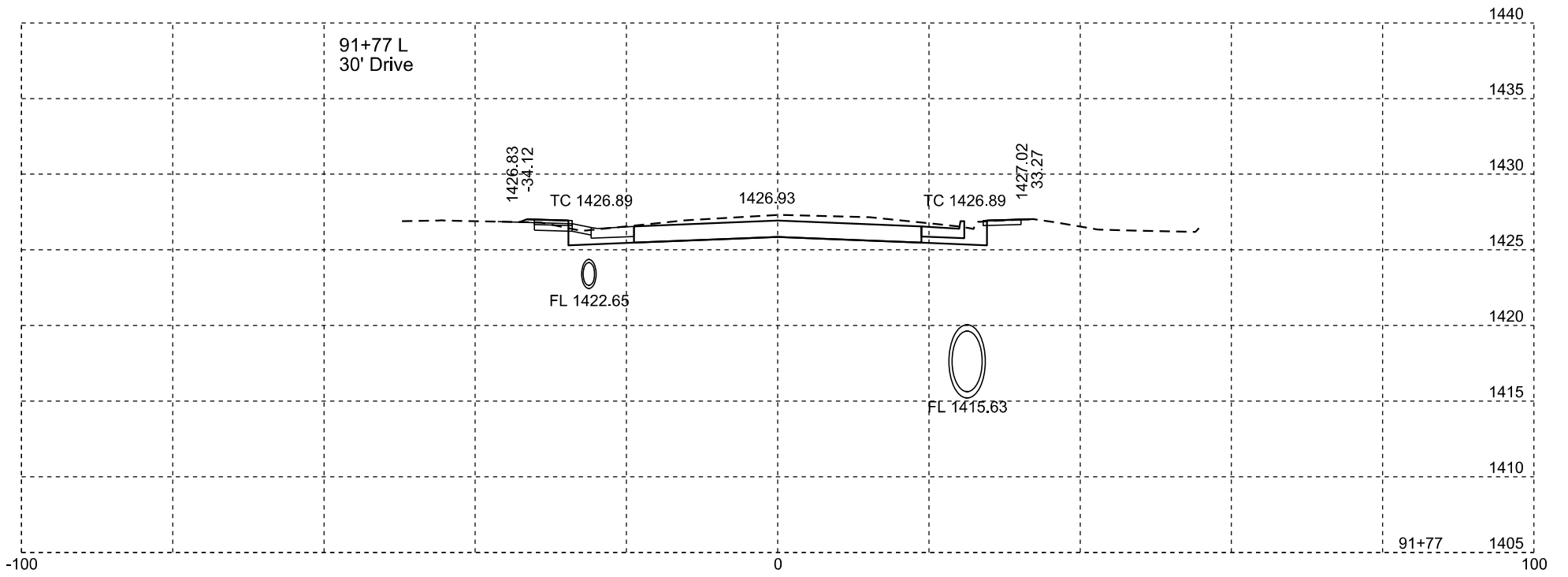
Plotting Date: 09/06/2024

| | | | |
|-----------------------------|-------------------|--------------|-----------------|
| STATE OF SOUTH DAKOTA | PROJECT | SHEET NO. | TOTAL SHEETS |
| | NH-CR 0046(69)288 | X35 | X139 |



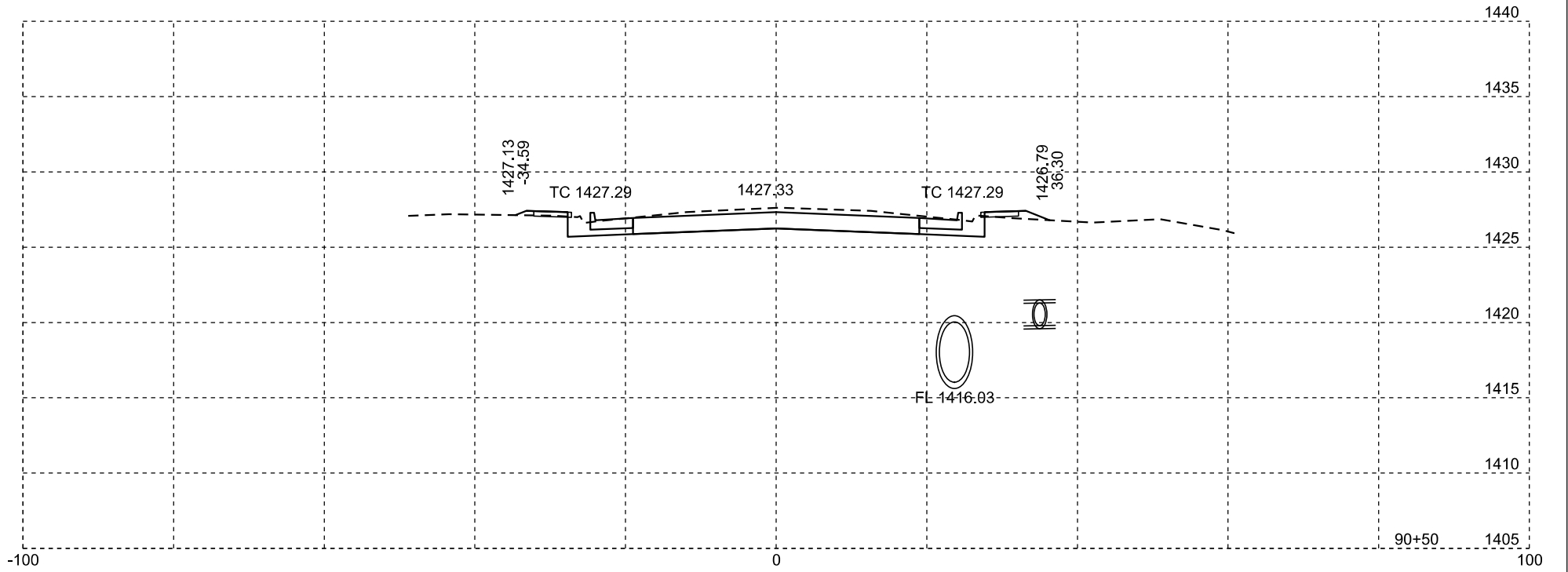
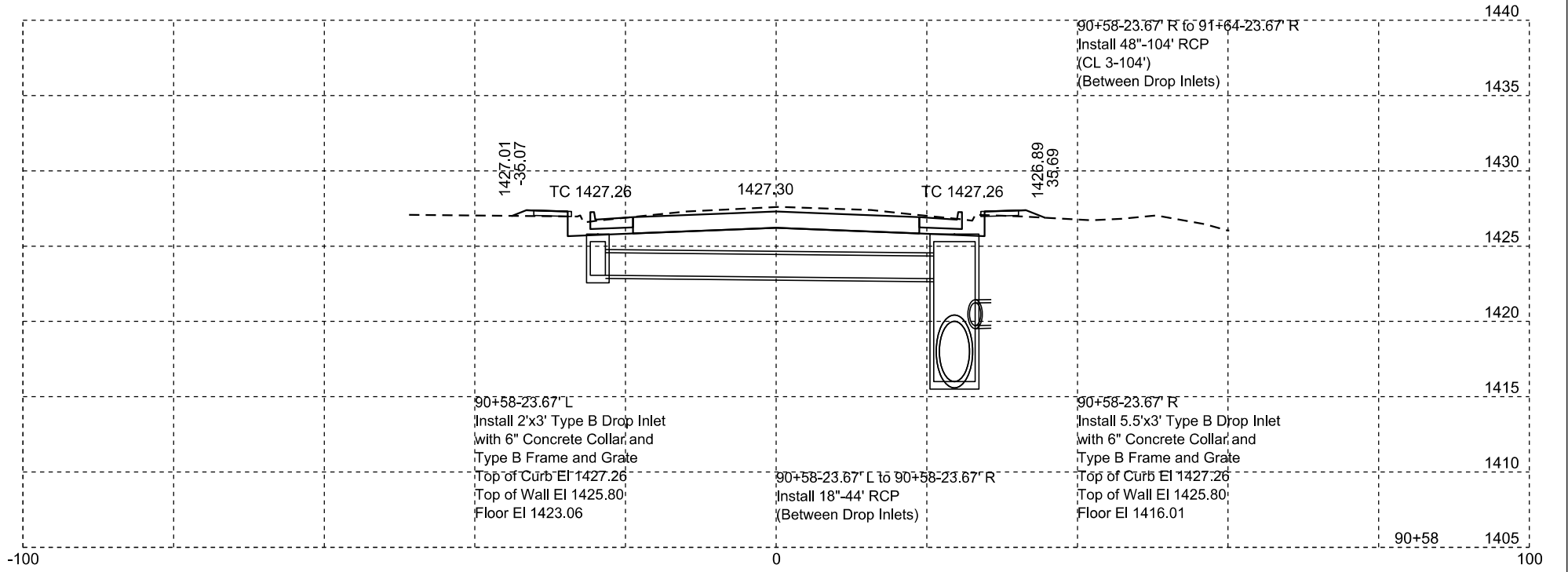
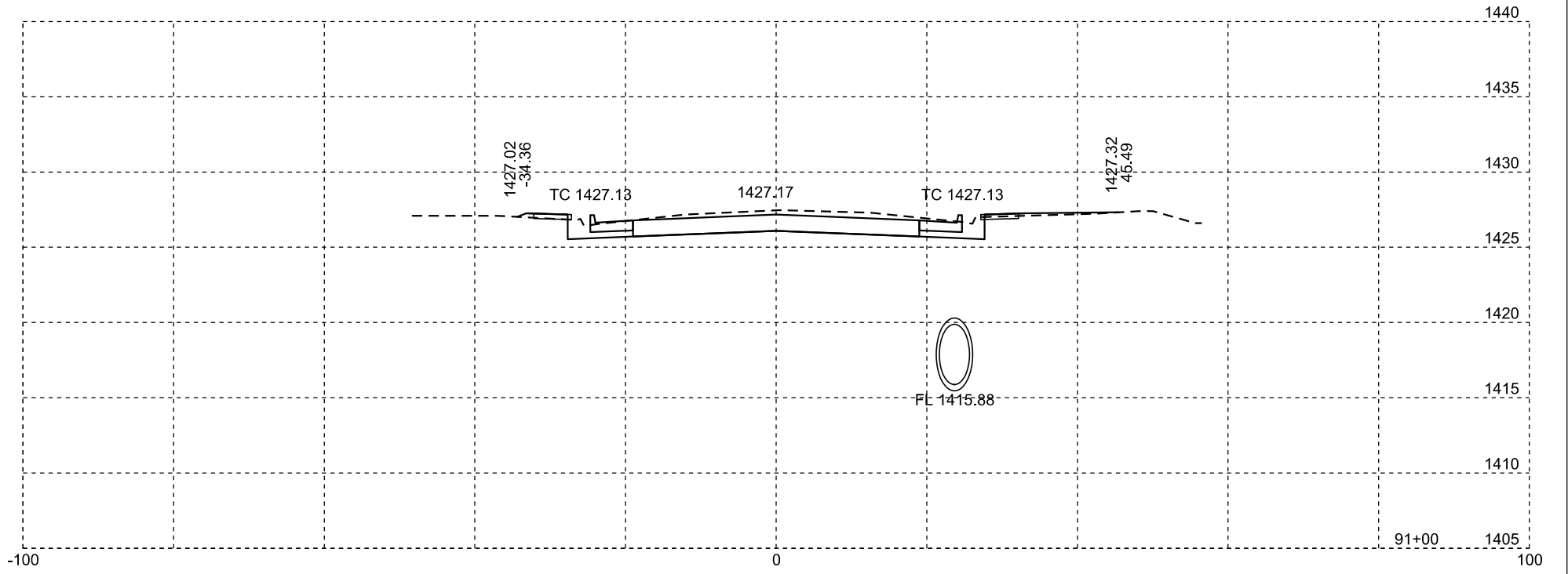
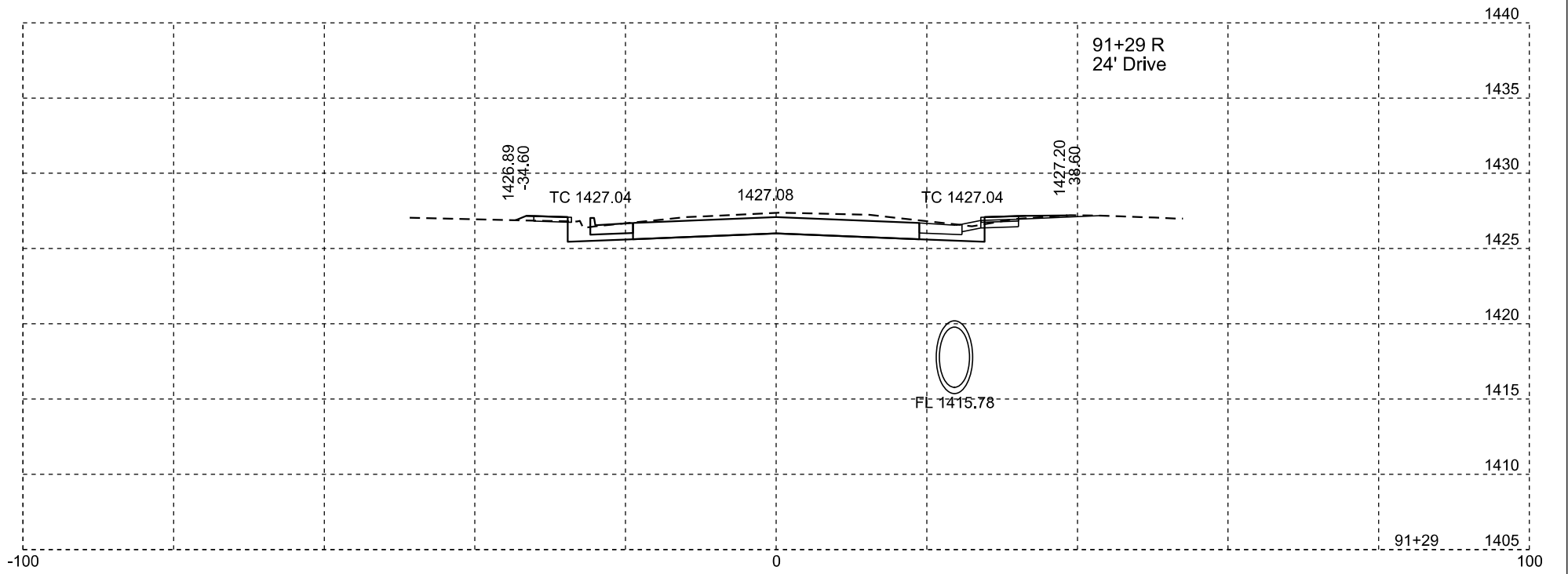
Plotting Date: 09/06/2024

| | | | |
|-----------------------|-------------------|-----------|--------------|
| STATE OF SOUTH DAKOTA | PROJECT | SHEET NO. | TOTAL SHEETS |
| | NH-CR 0046(69)288 | X36 | X139 |



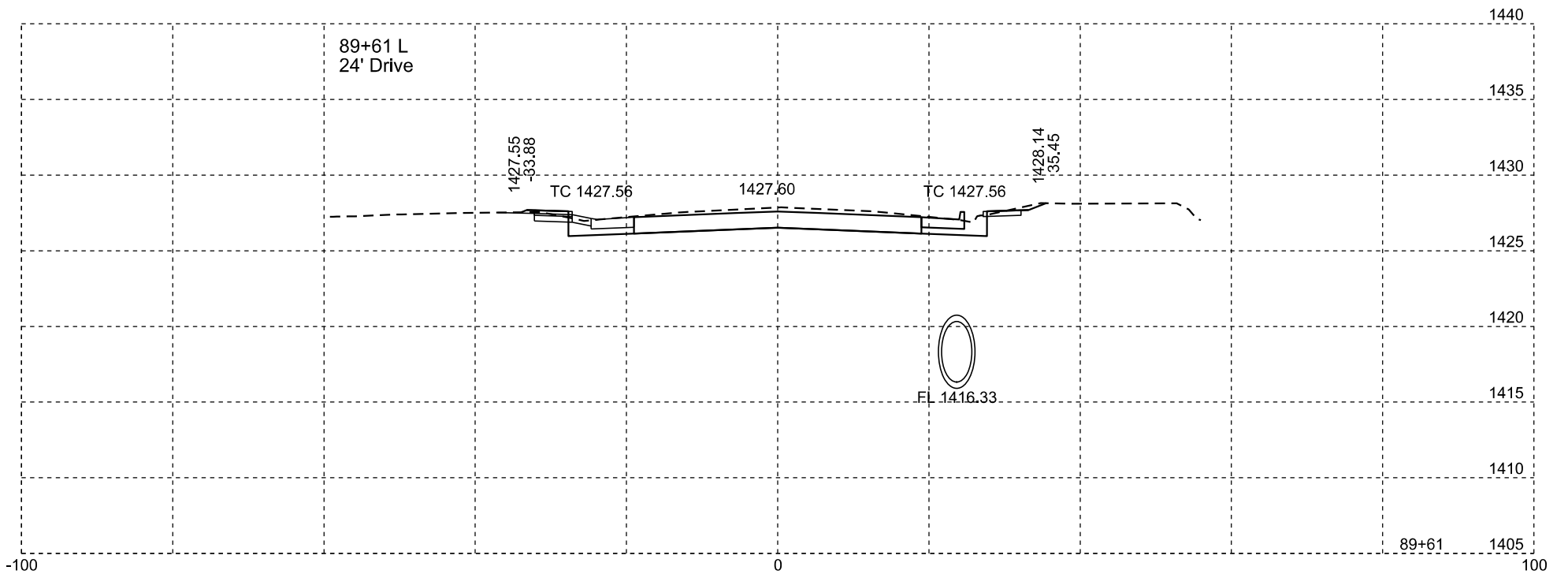
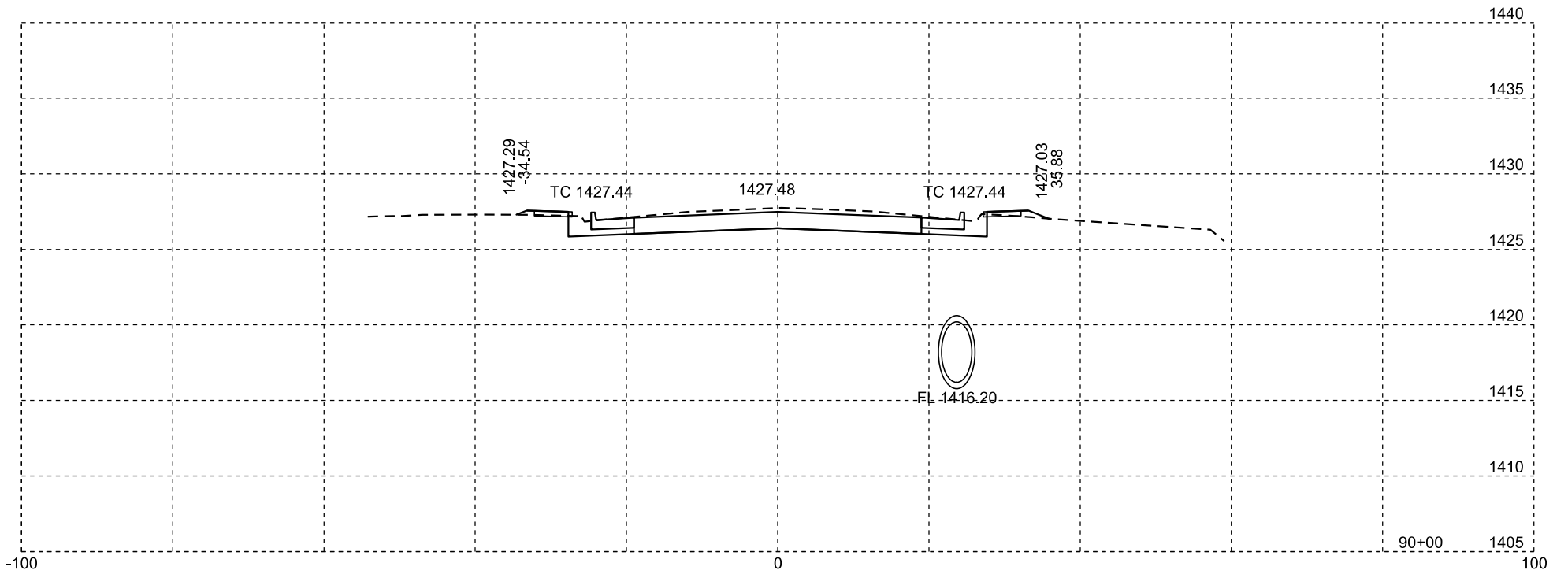
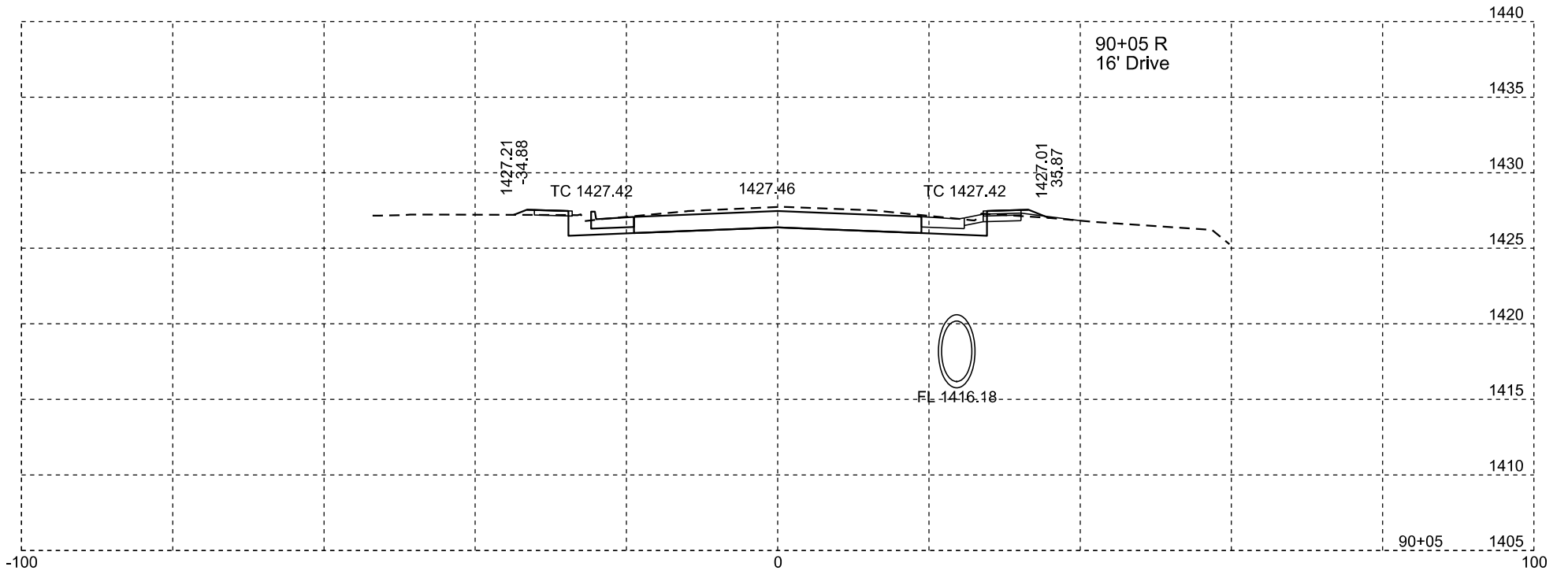
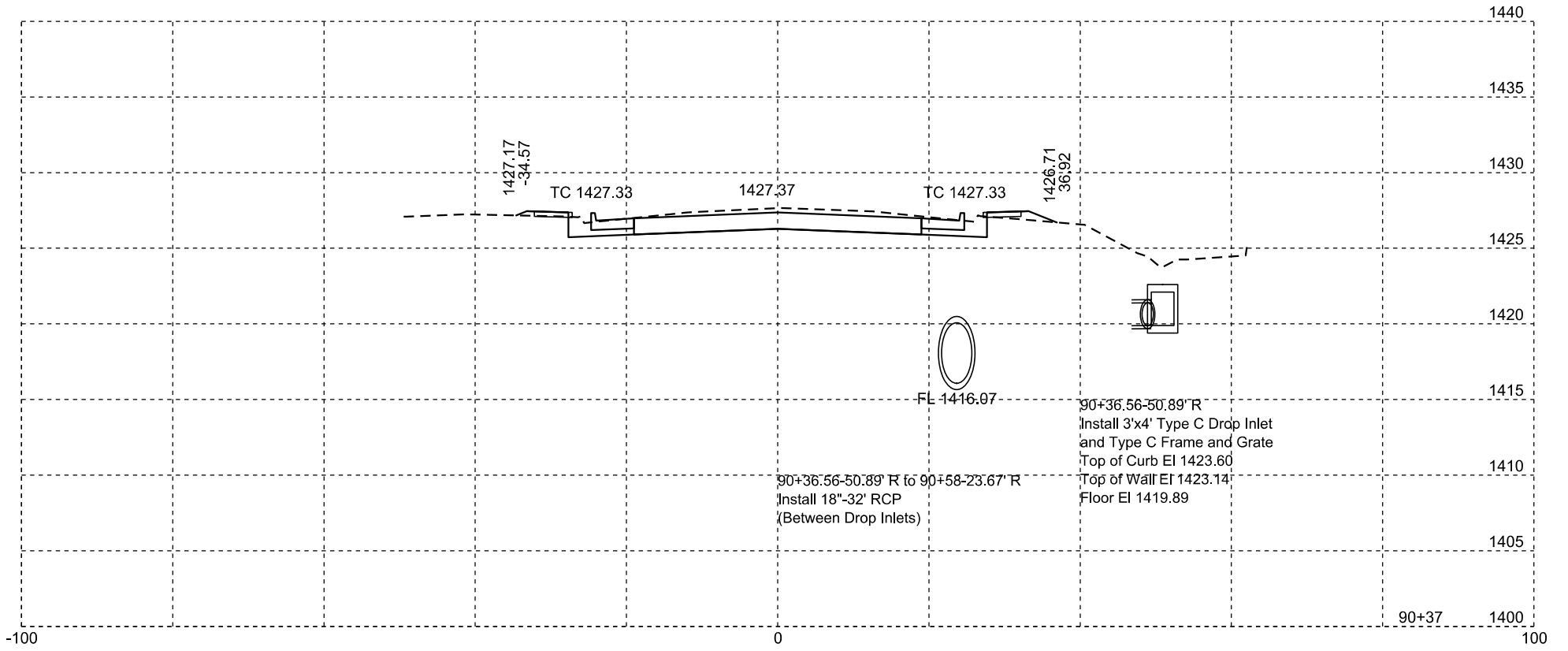
Plotting Date: 09/06/2024

| | | | |
|-----------------------------|-------------------|--------------|-----------------|
| STATE OF SOUTH DAKOTA | PROJECT | SHEET NO. | TOTAL SHEETS |
| | NH-CR 0046(69)288 | X37 | X139 |



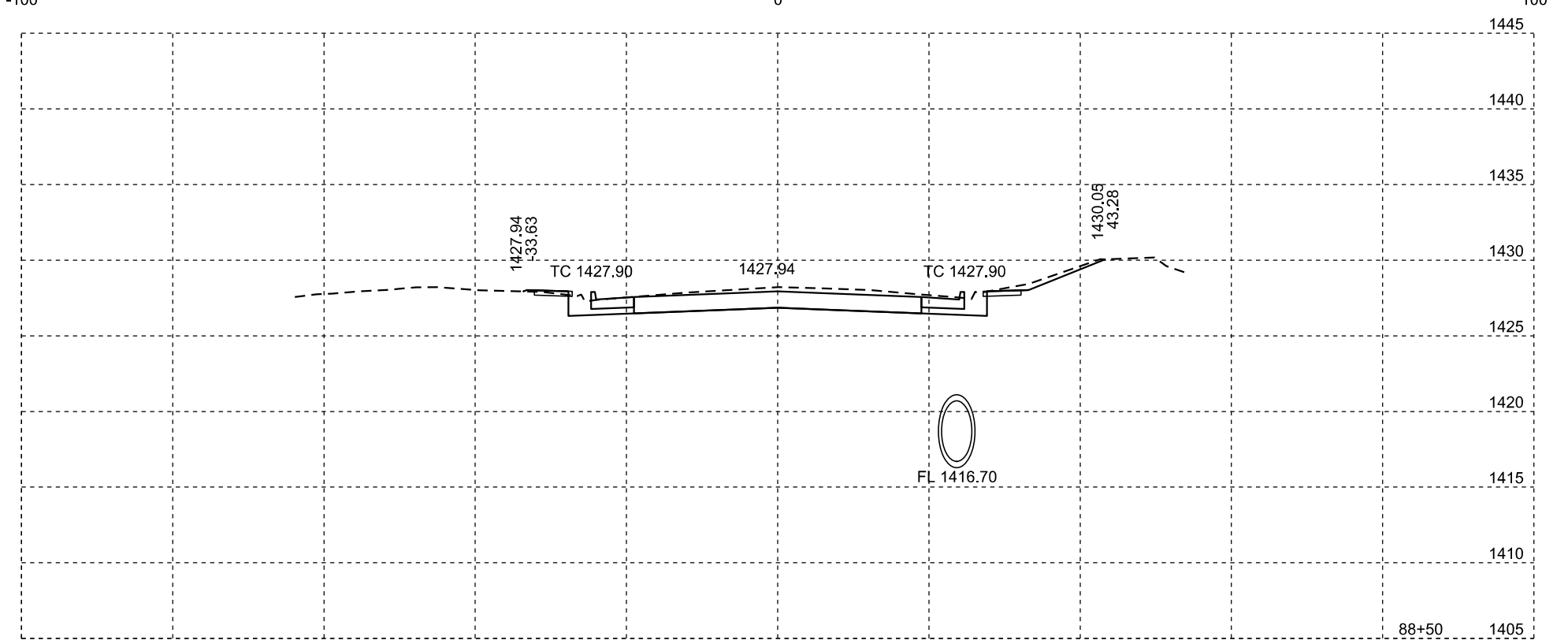
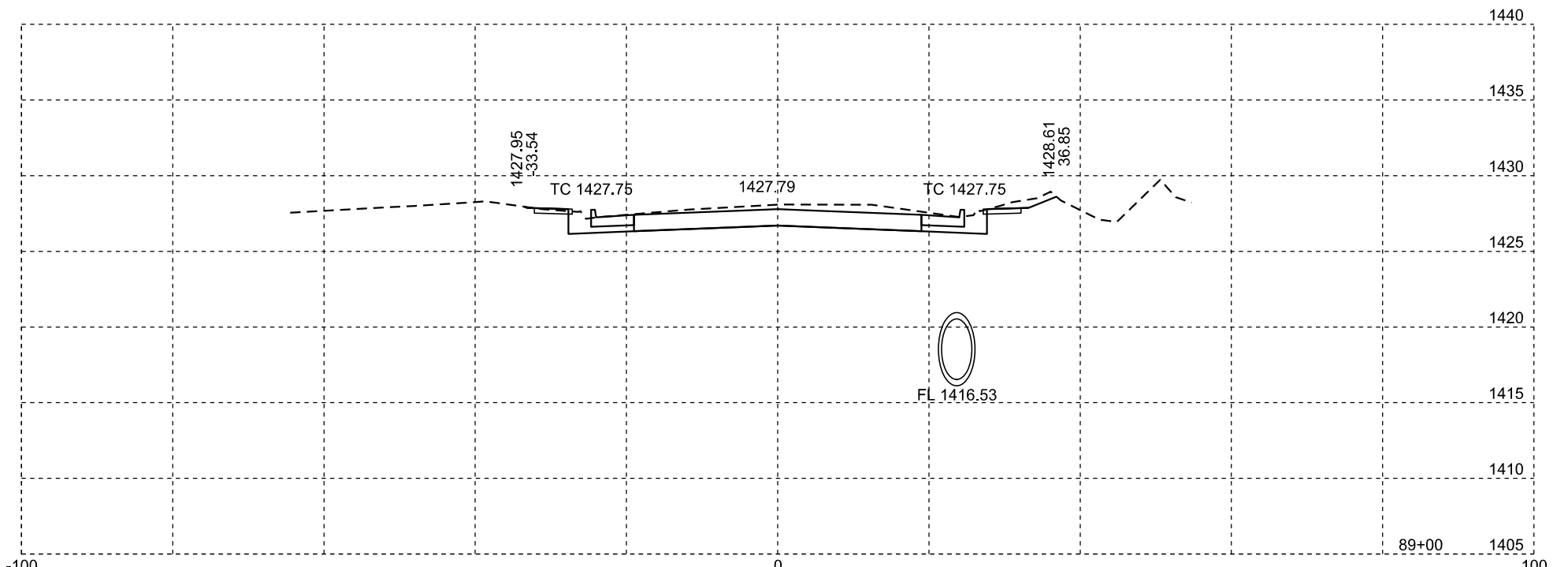
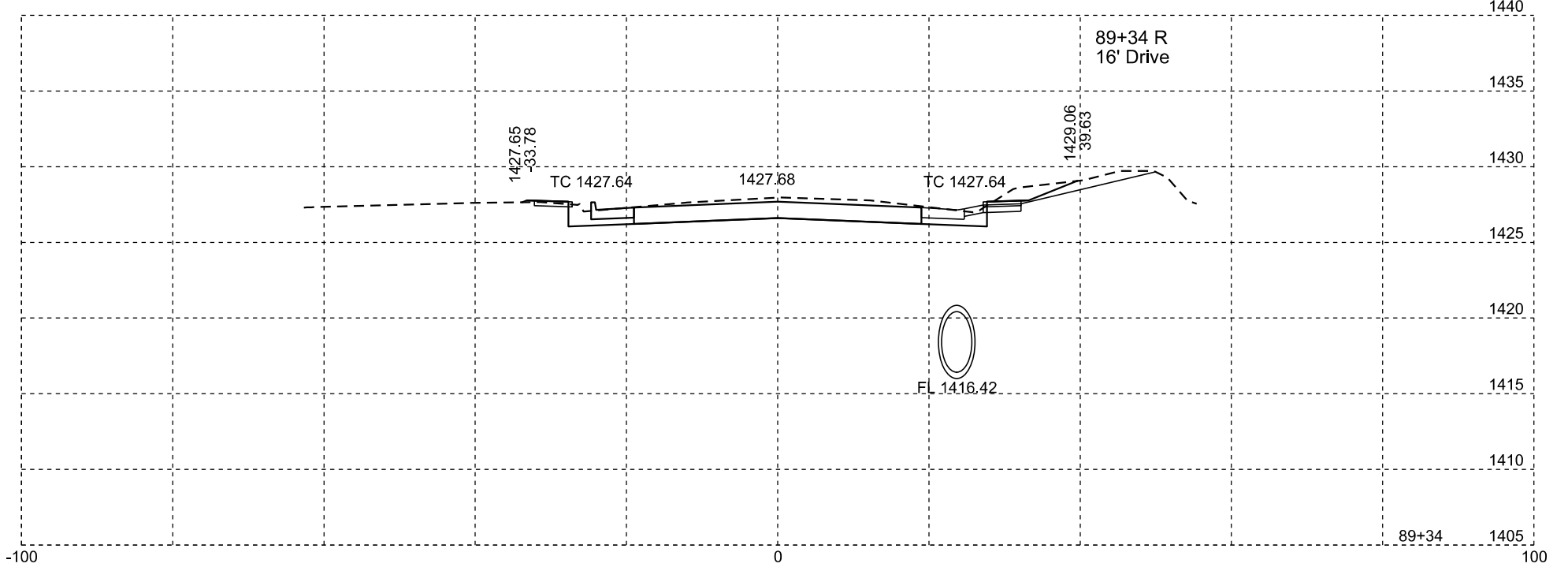
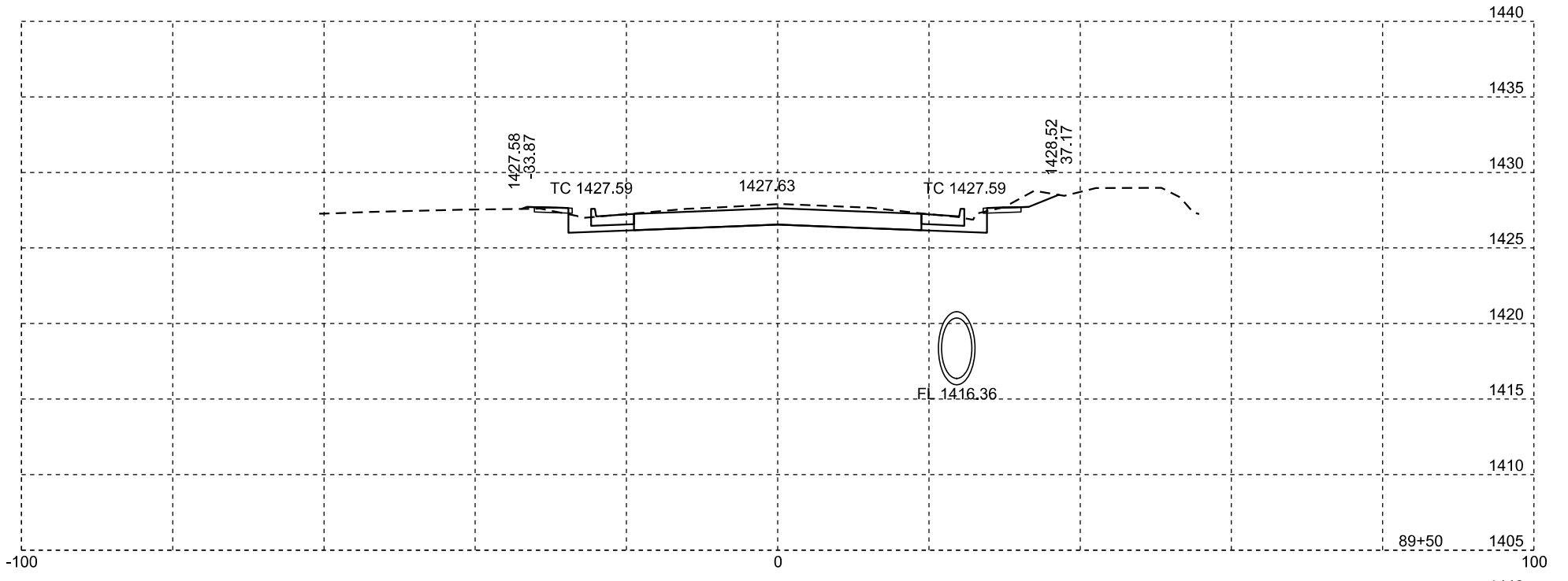
Plotting Date: 09/06/2024

| | | | |
|-----------------------------|-------------------|--------------|-----------------|
| STATE OF SOUTH DAKOTA | PROJECT | SHEET NO. | TOTAL SHEETS |
| | NH-CR 0046(69)288 | X38 | X139 |



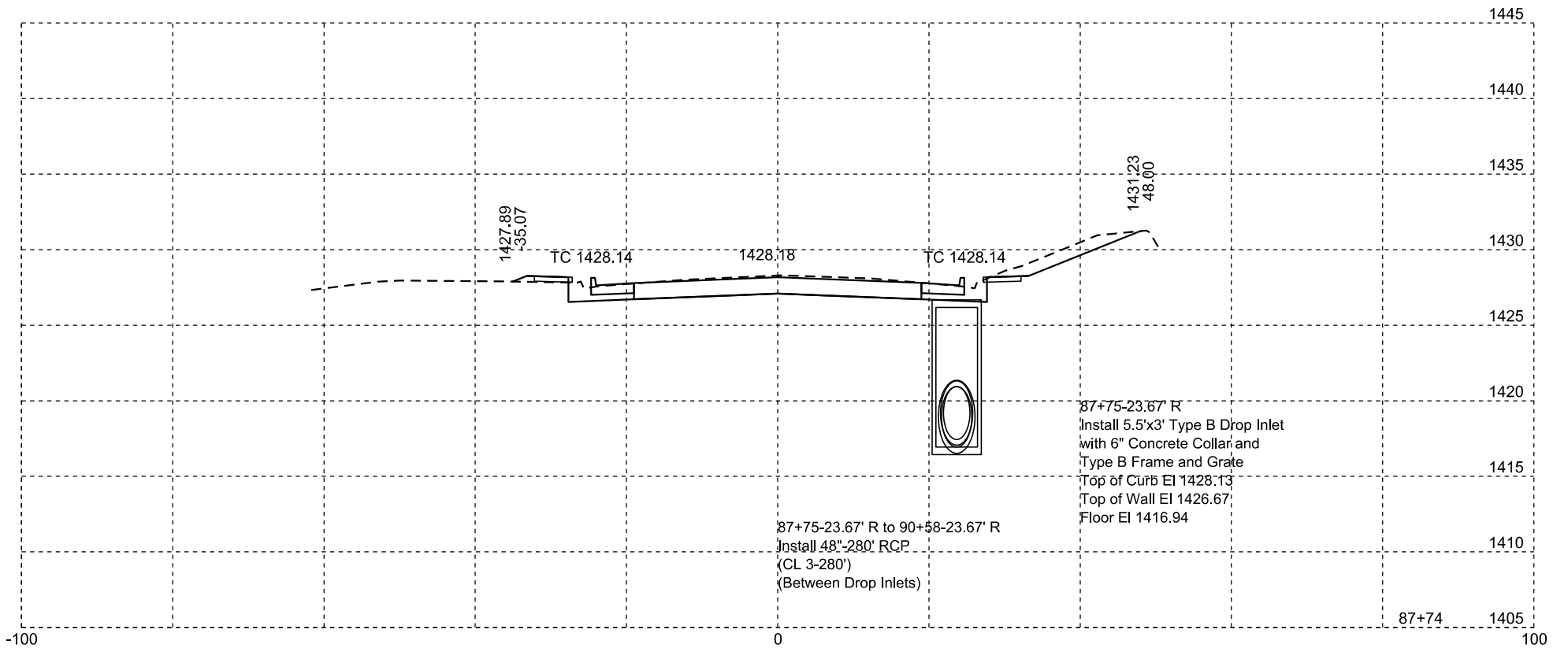
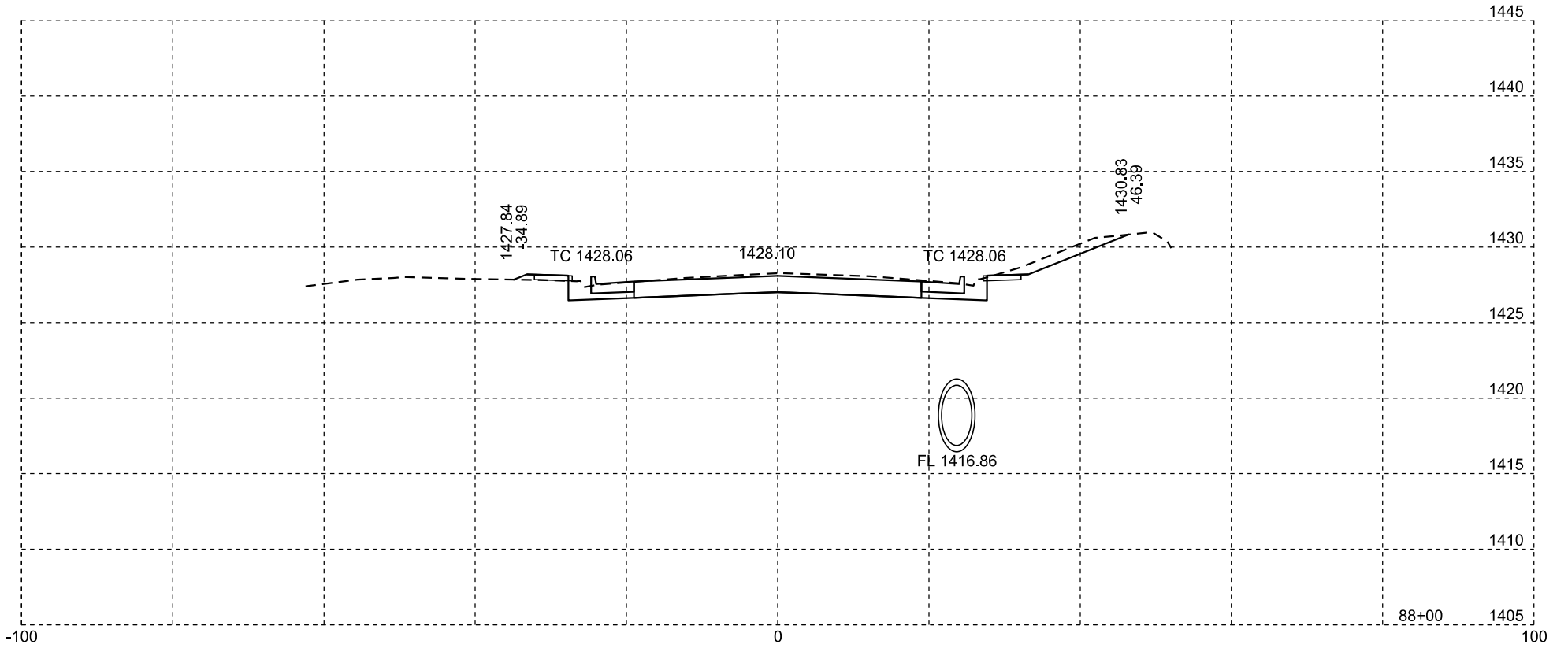
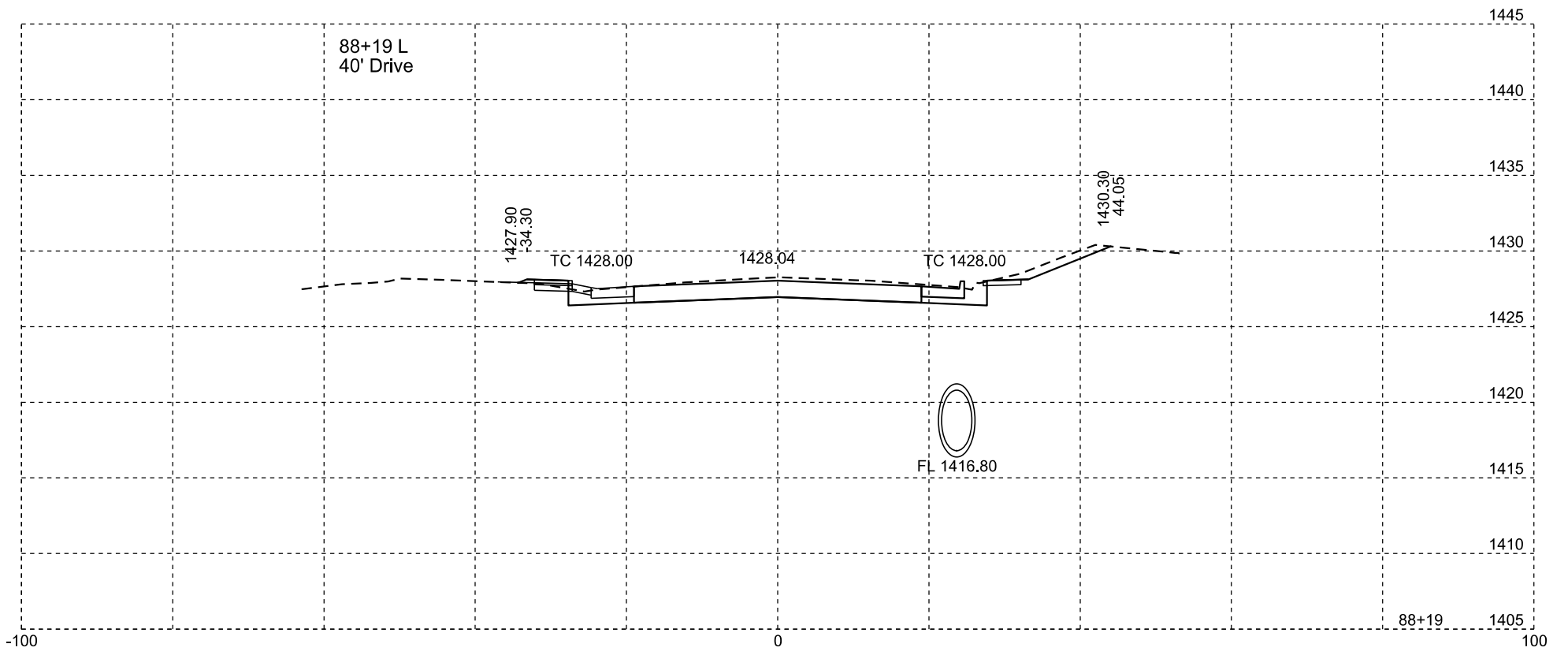
Plotting Date: 09/06/2024

| | | | |
|-----------------------------|-------------------|--------------|-----------------|
| STATE OF SOUTH DAKOTA | PROJECT | SHEET NO. | TOTAL SHEETS |
| | NH-CR 0046(69)288 | X39 | X139 |



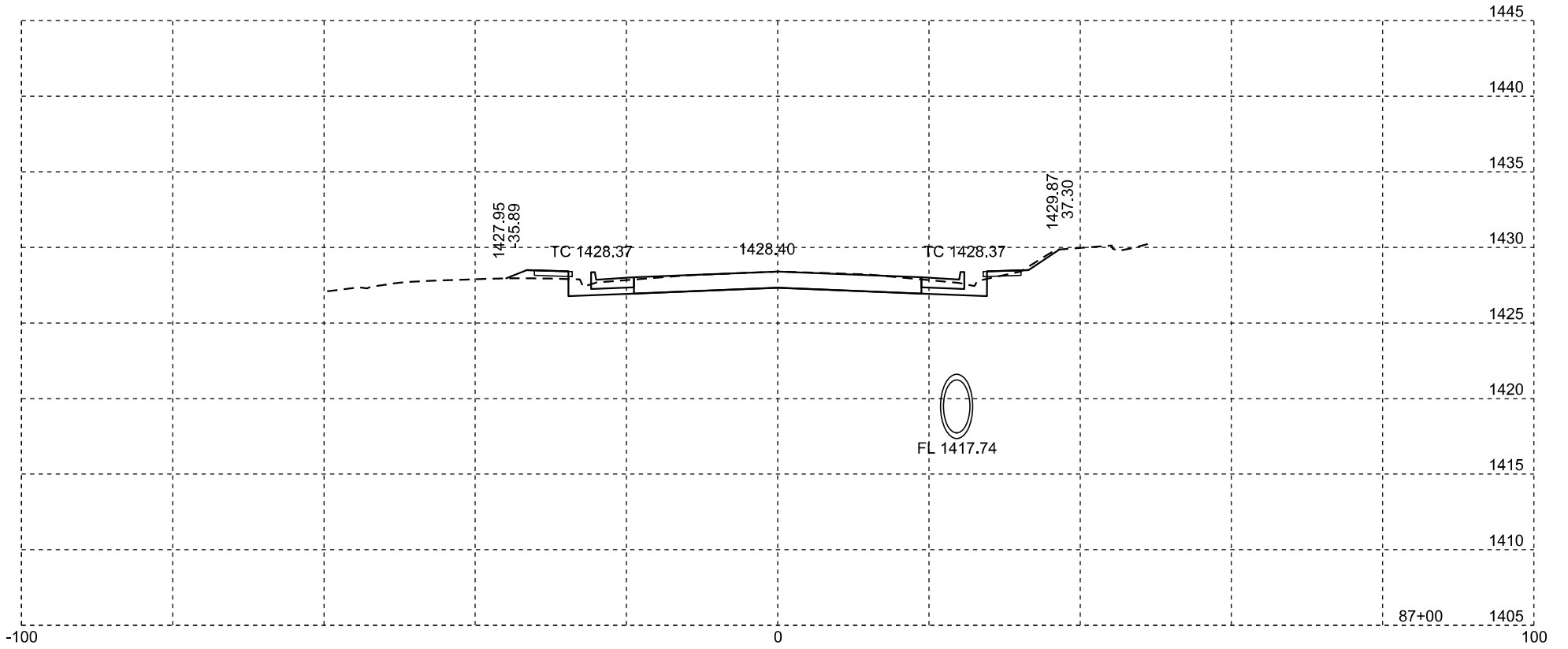
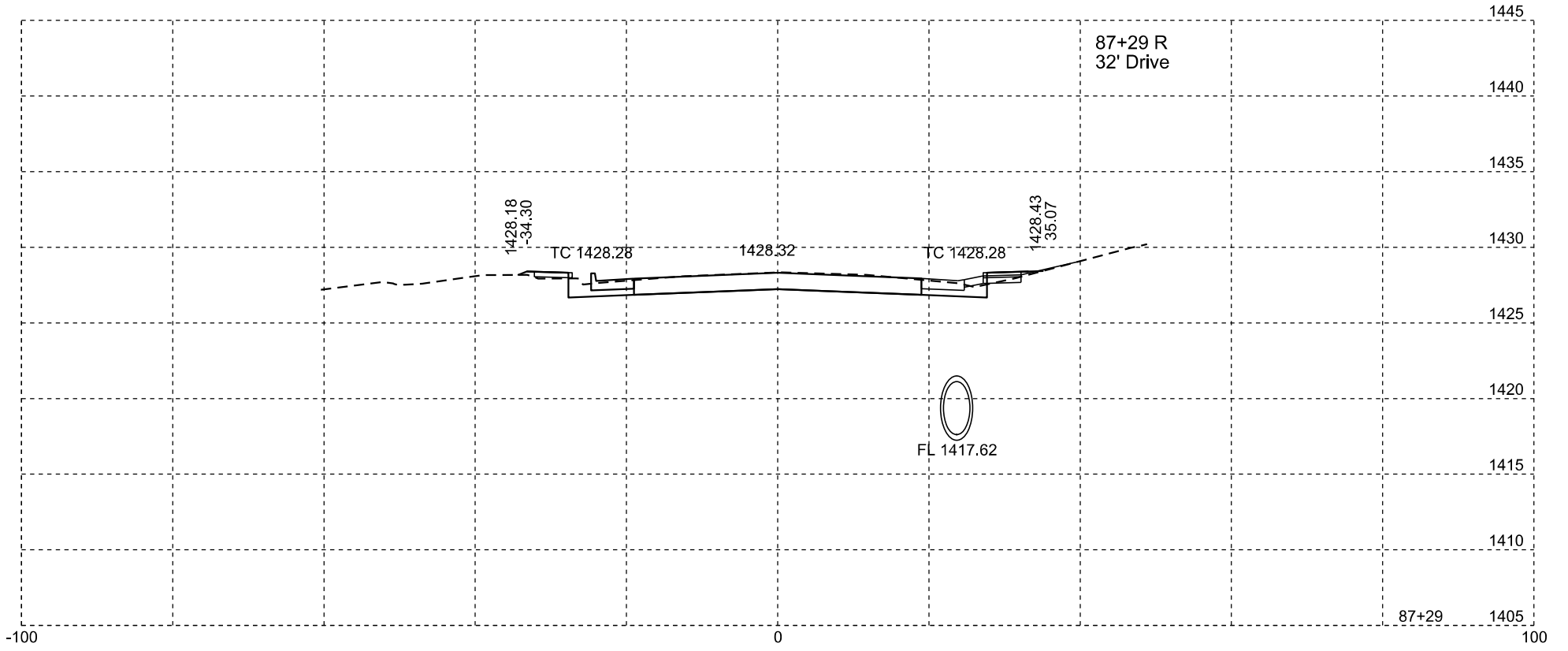
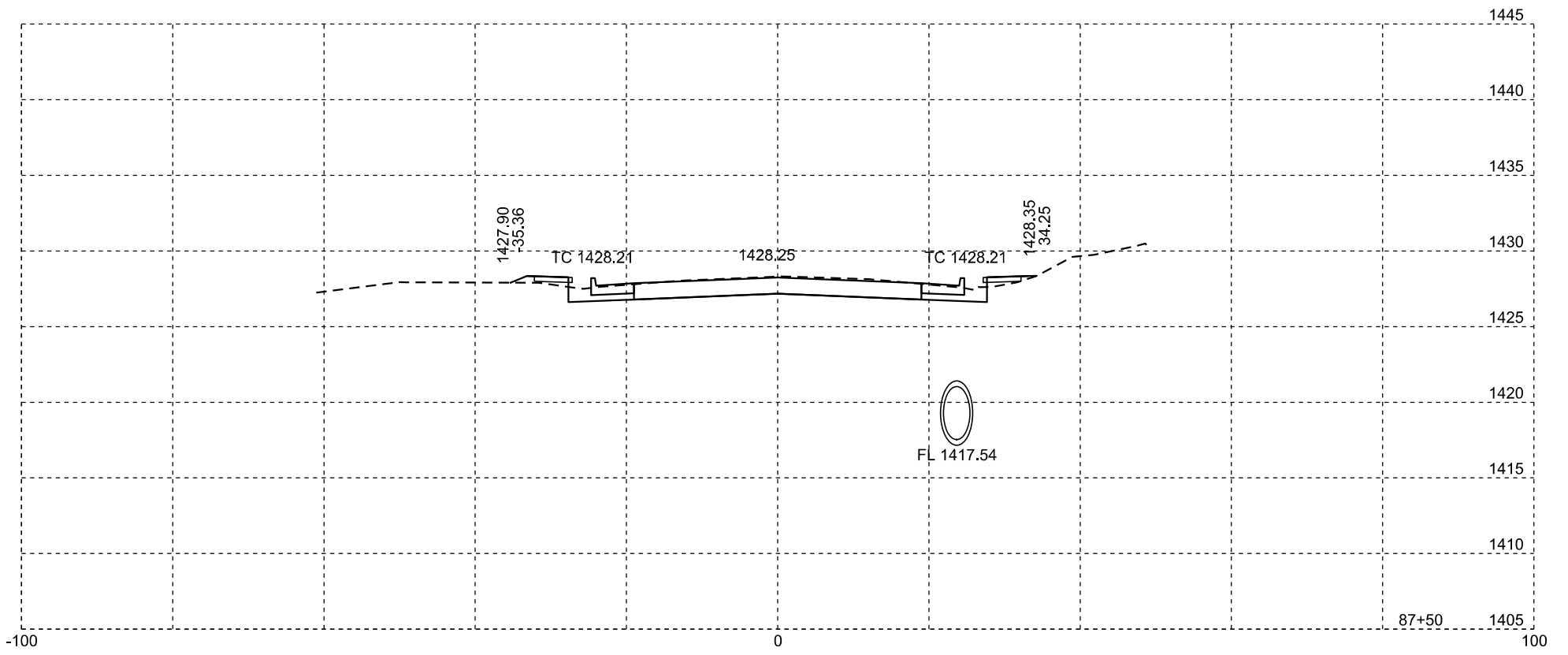
Plotting Date: 09/06/2024

| | | | |
|-----------------------------|-------------------|--------------|-----------------|
| STATE OF SOUTH DAKOTA | PROJECT | SHEET NO. | TOTAL SHEETS |
| | NH-CR 0046(69)288 | X40 | X139 |



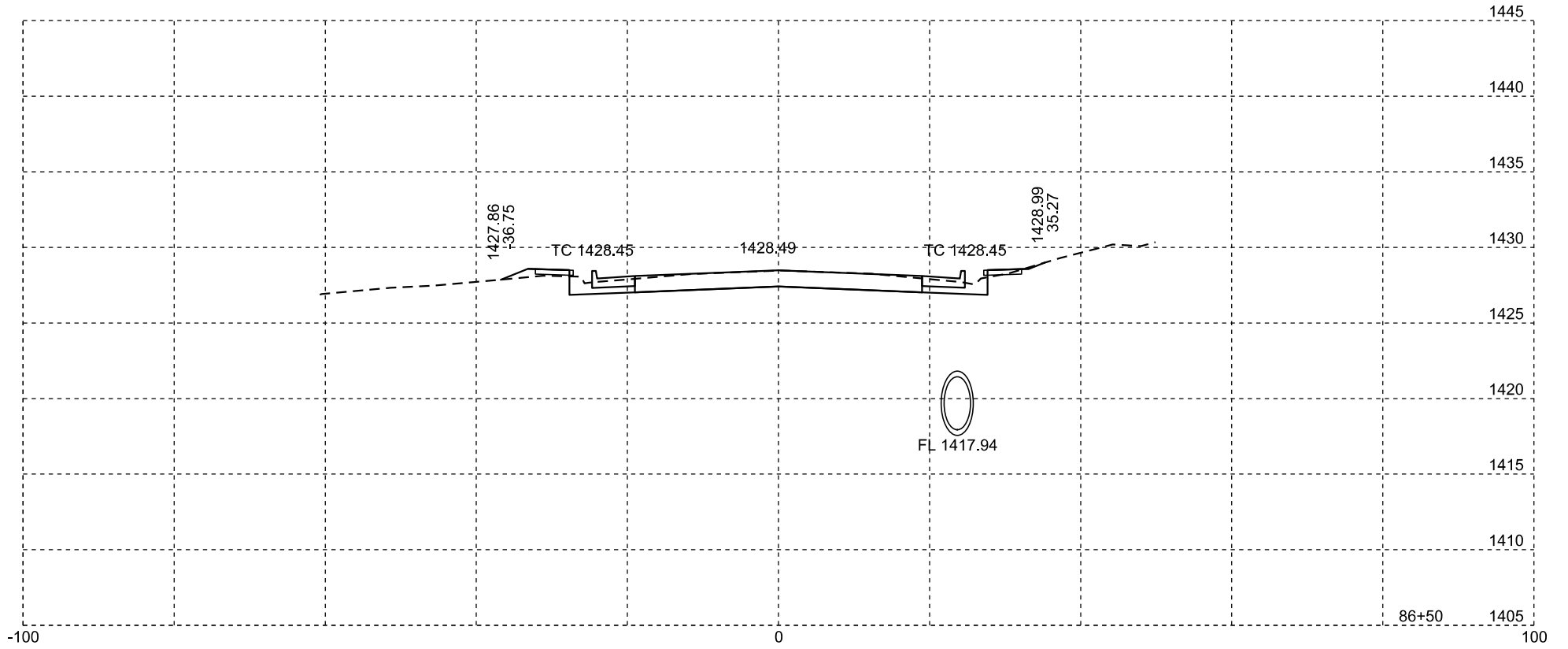
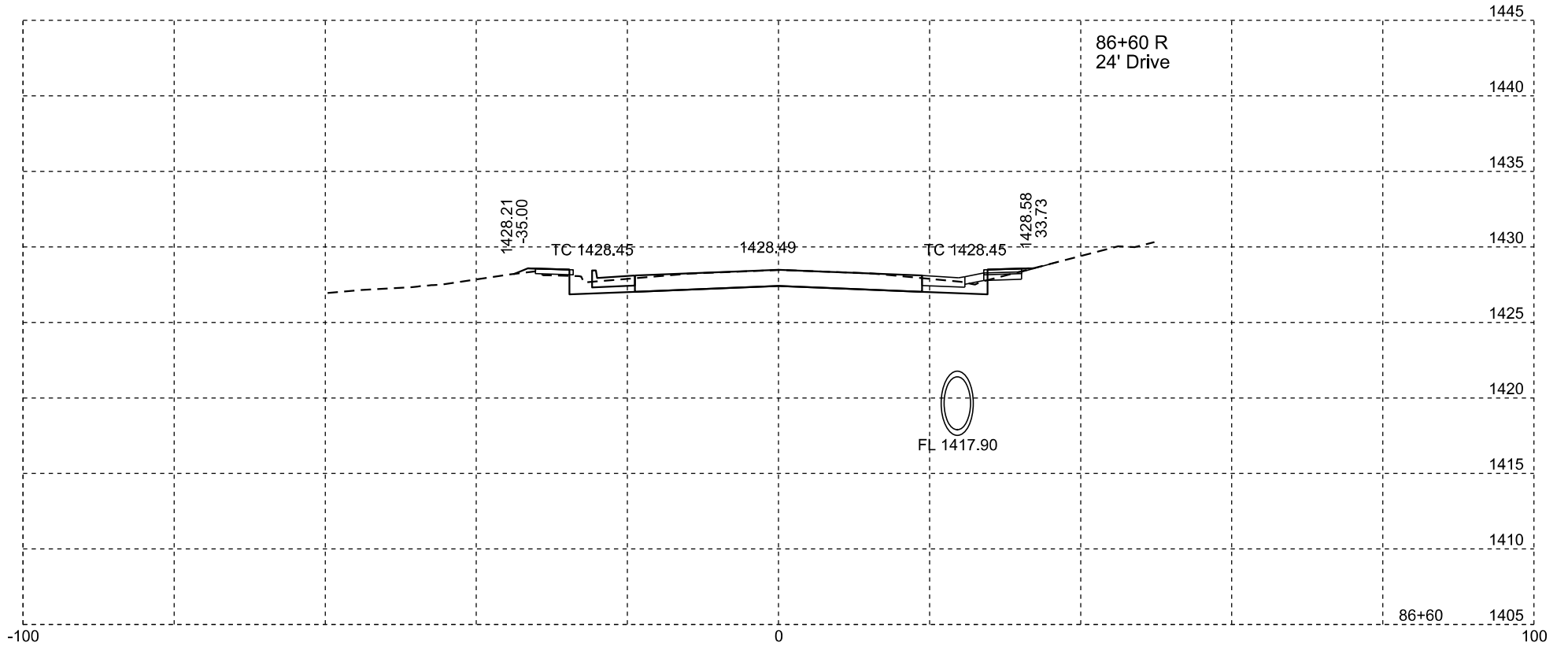
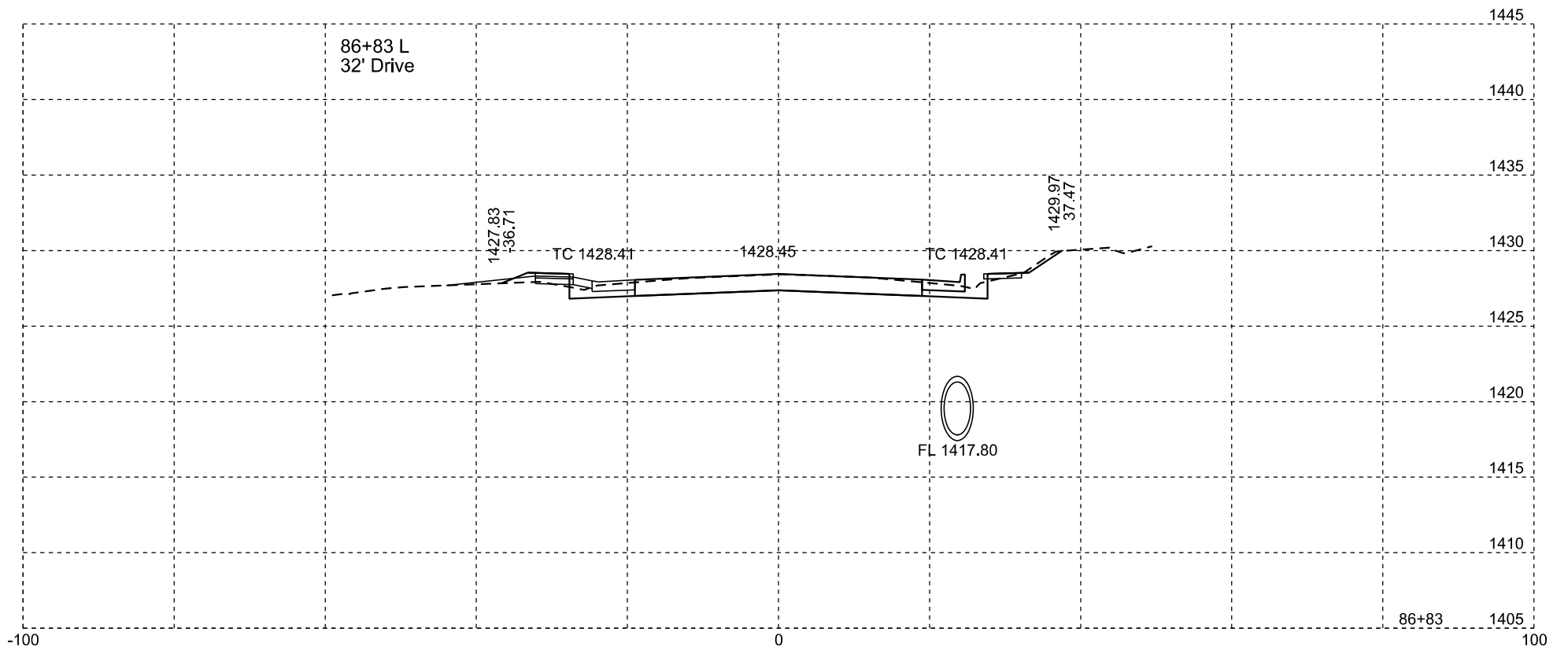
Plotting Date: 09/06/2024

| STATE OF SOUTH DAKOTA | PROJECT | SHEET NO. | TOTAL SHEETS |
|-----------------------------|-------------------|--------------|-----------------|
| | NH-CR 0046(69)288 | X41 | X139 |



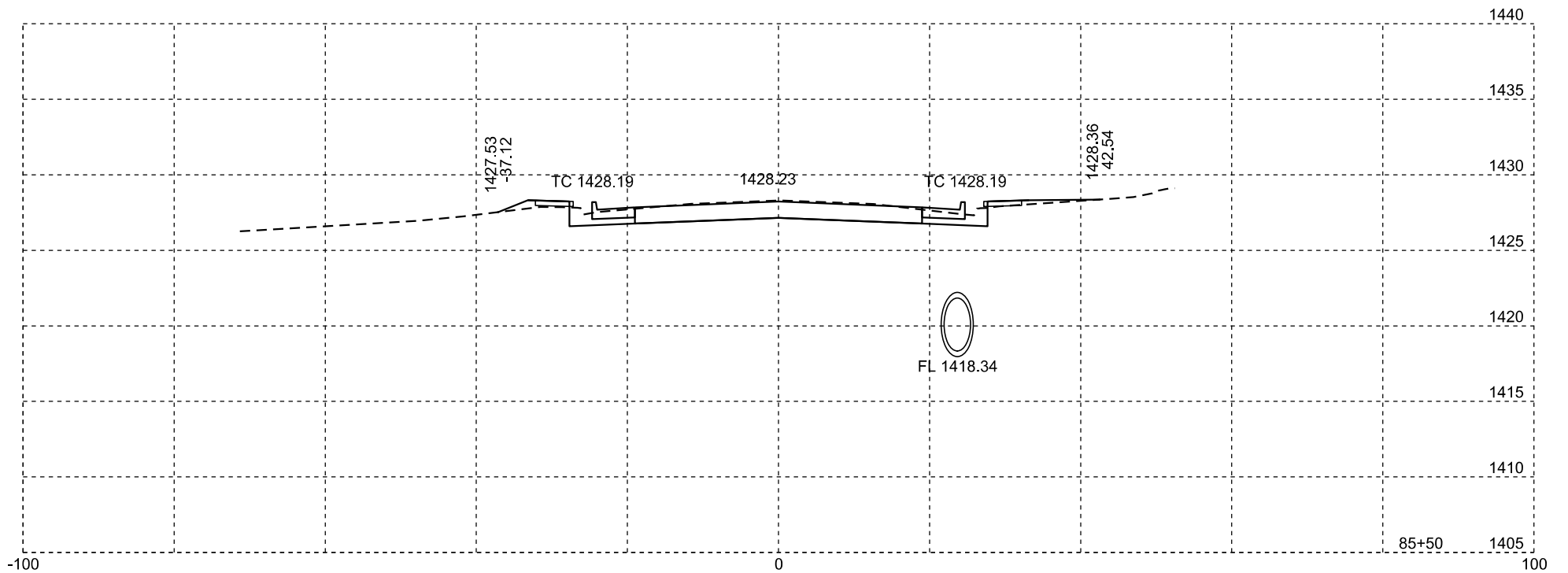
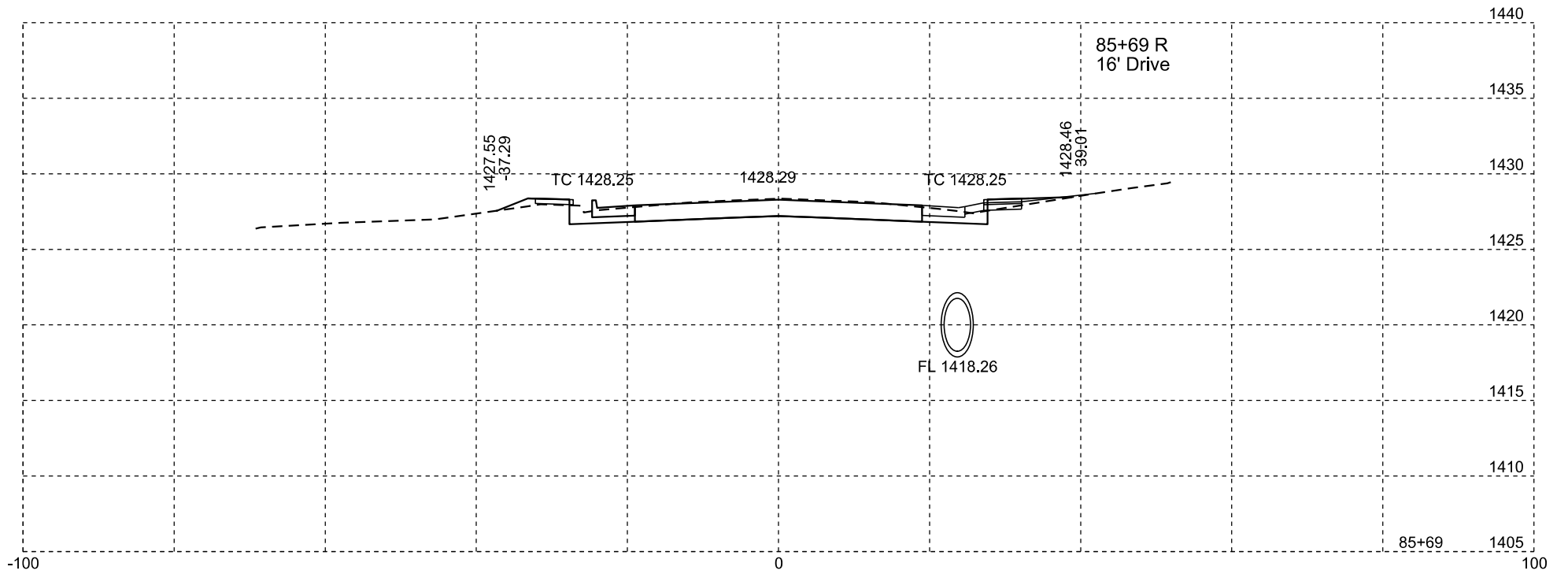
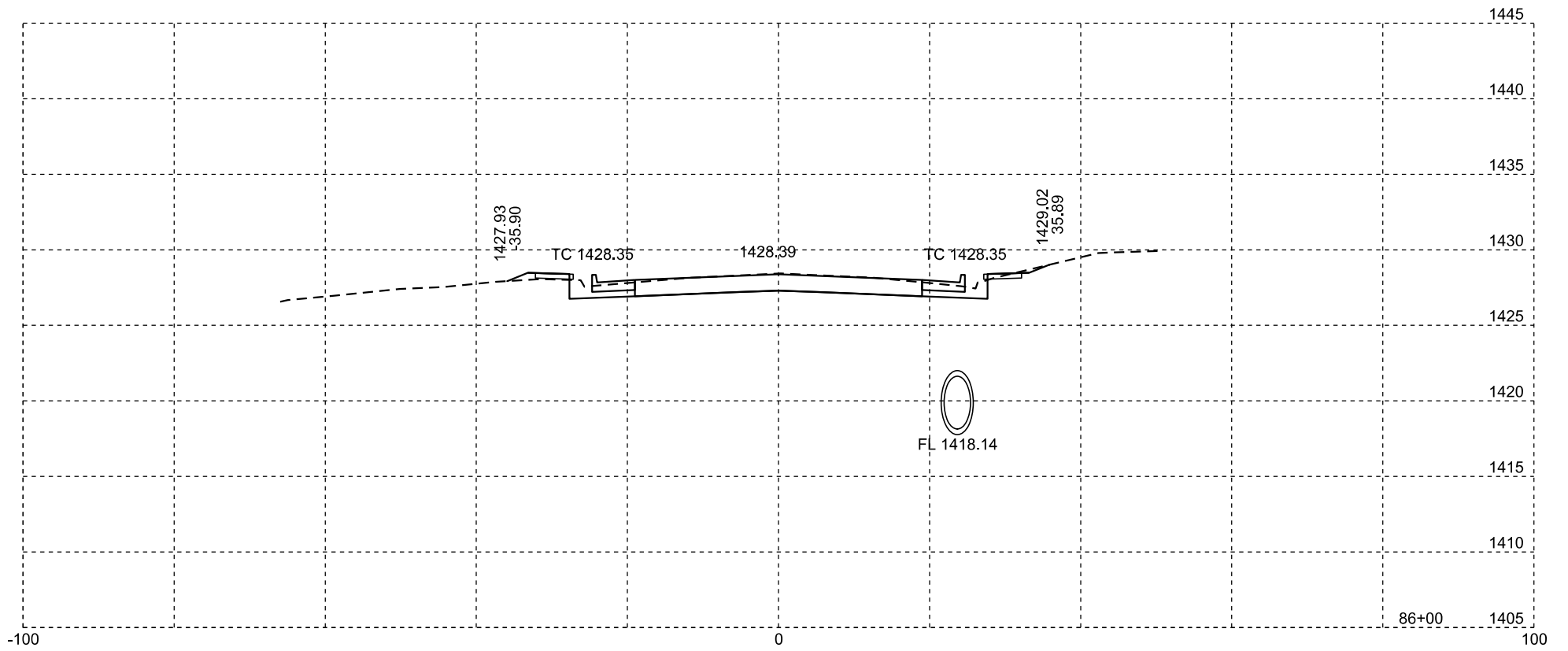
Plotting Date: 09/06/2024

| | | | |
|-----------------------------|-------------------|--------------|-----------------|
| STATE OF SOUTH DAKOTA | PROJECT | SHEET NO. | TOTAL SHEETS |
| | NH-CR 0046(69)288 | X42 | X139 |



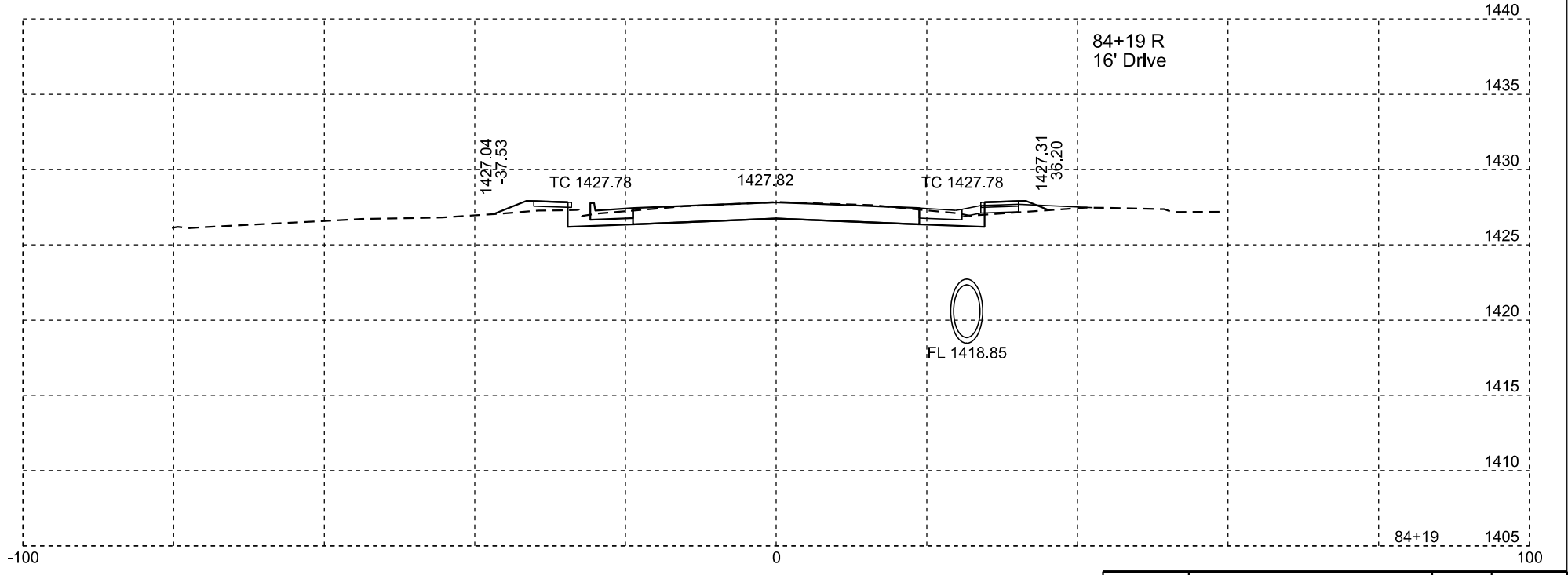
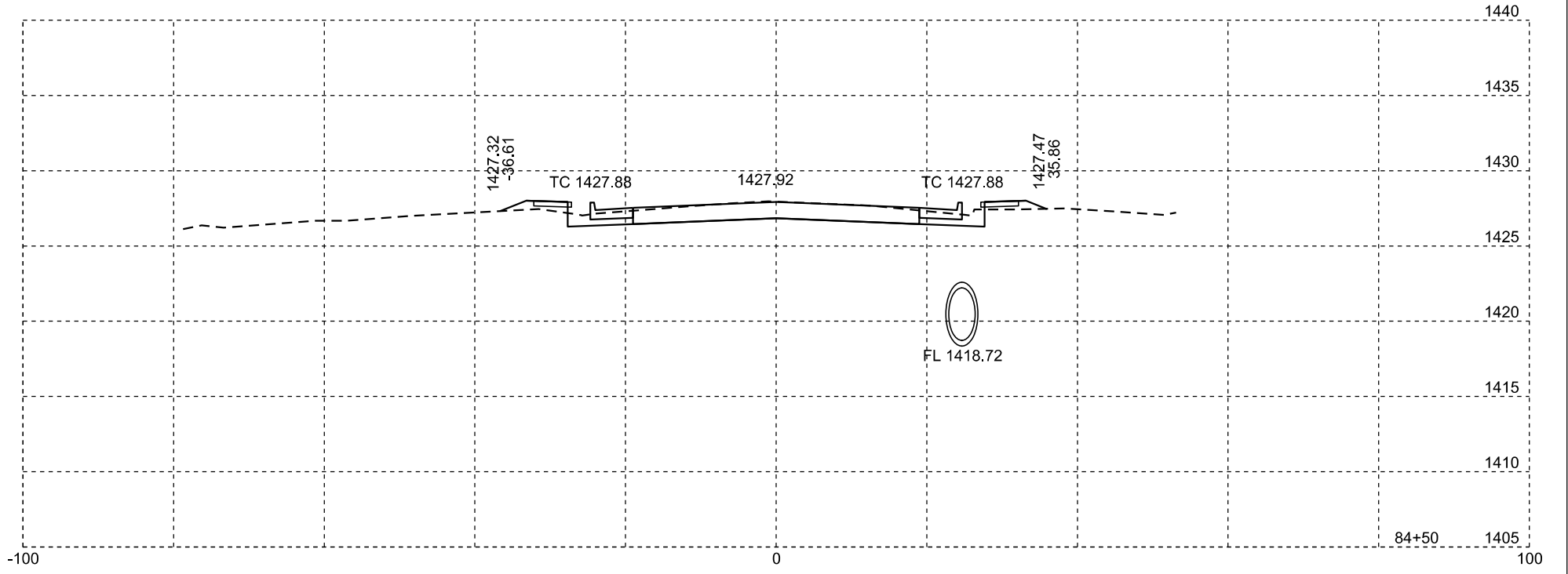
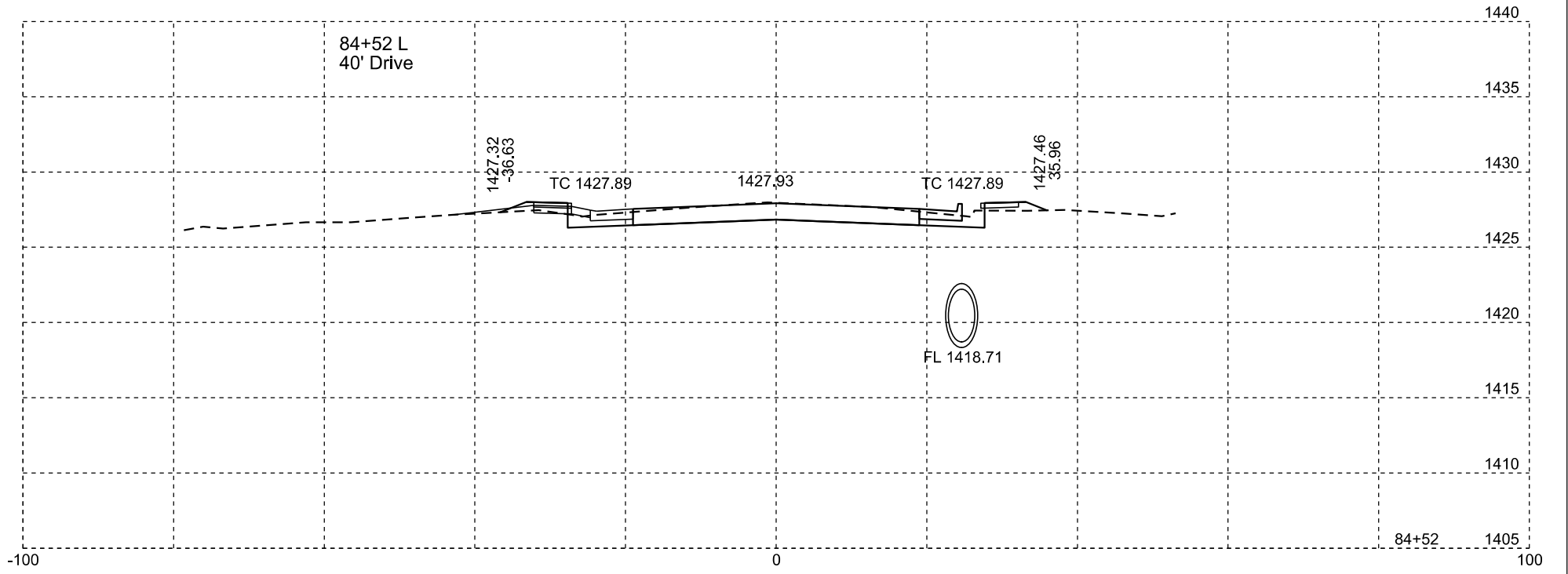
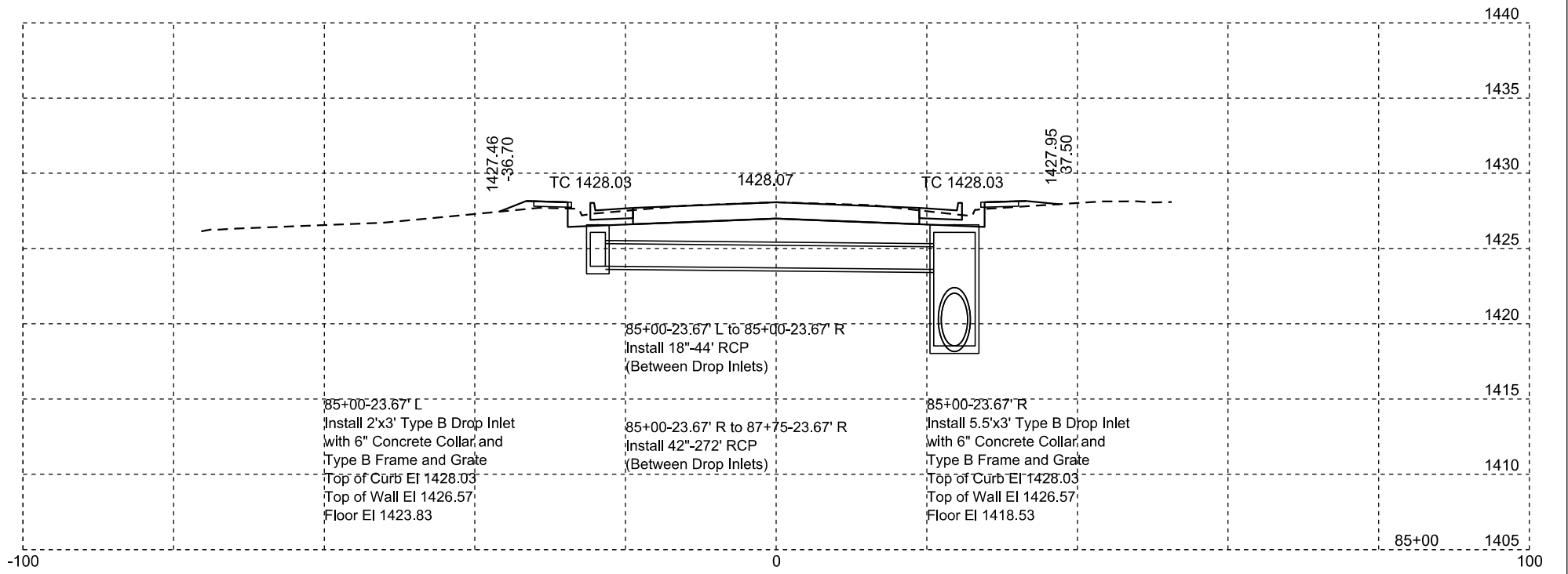
Plotting Date: 09/06/2024

| | | | |
|-----------------------------|-------------------|--------------|-----------------|
| STATE OF SOUTH DAKOTA | PROJECT | SHEET NO. | TOTAL SHEETS |
| | NH-CR 0046(69)288 | X43 | X139 |



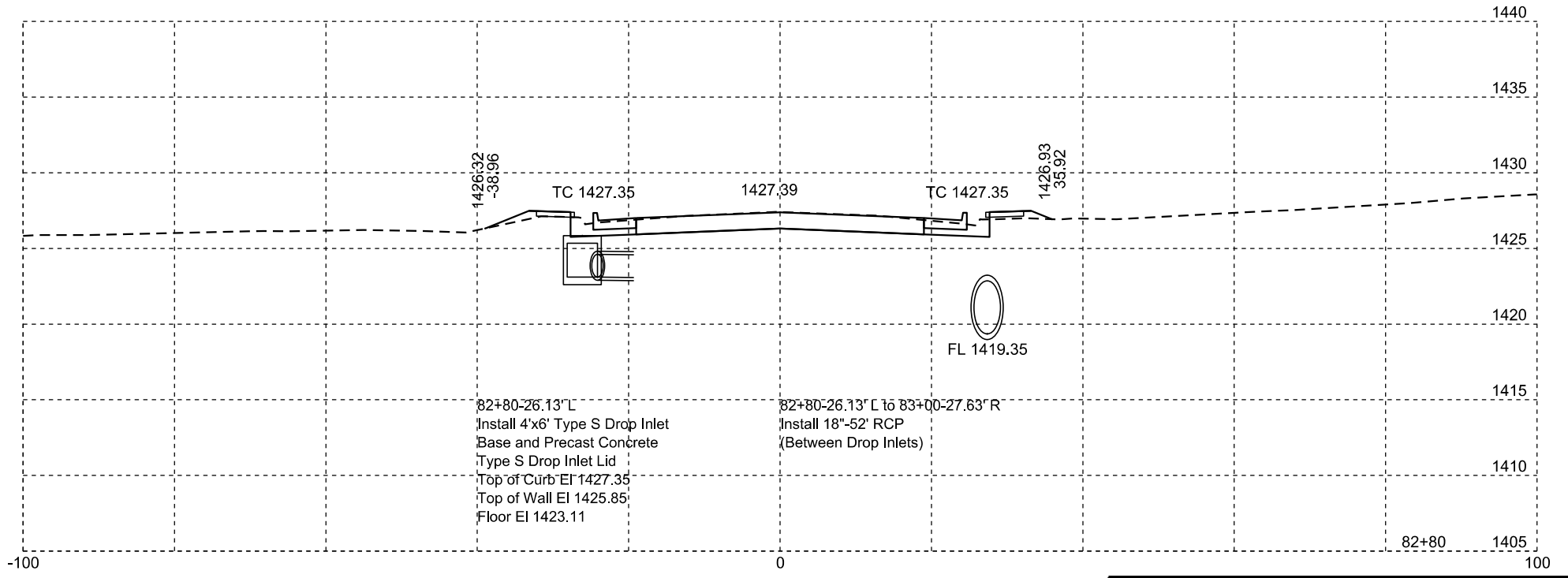
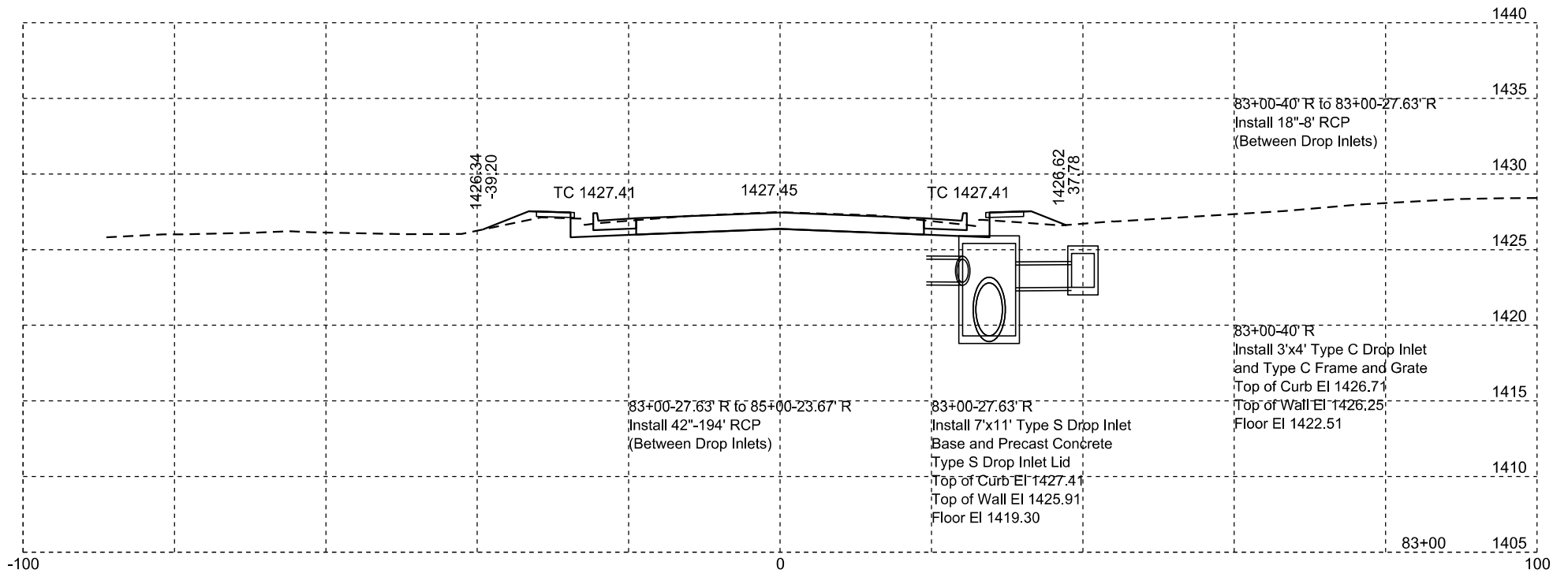
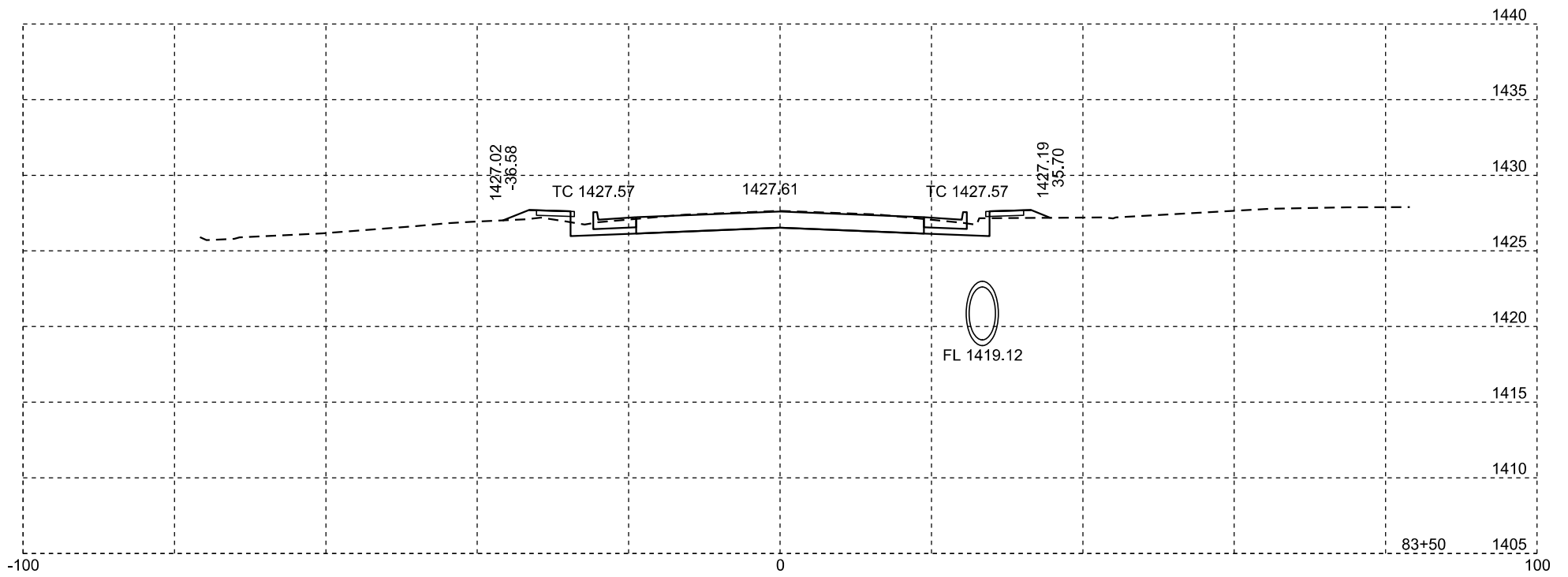
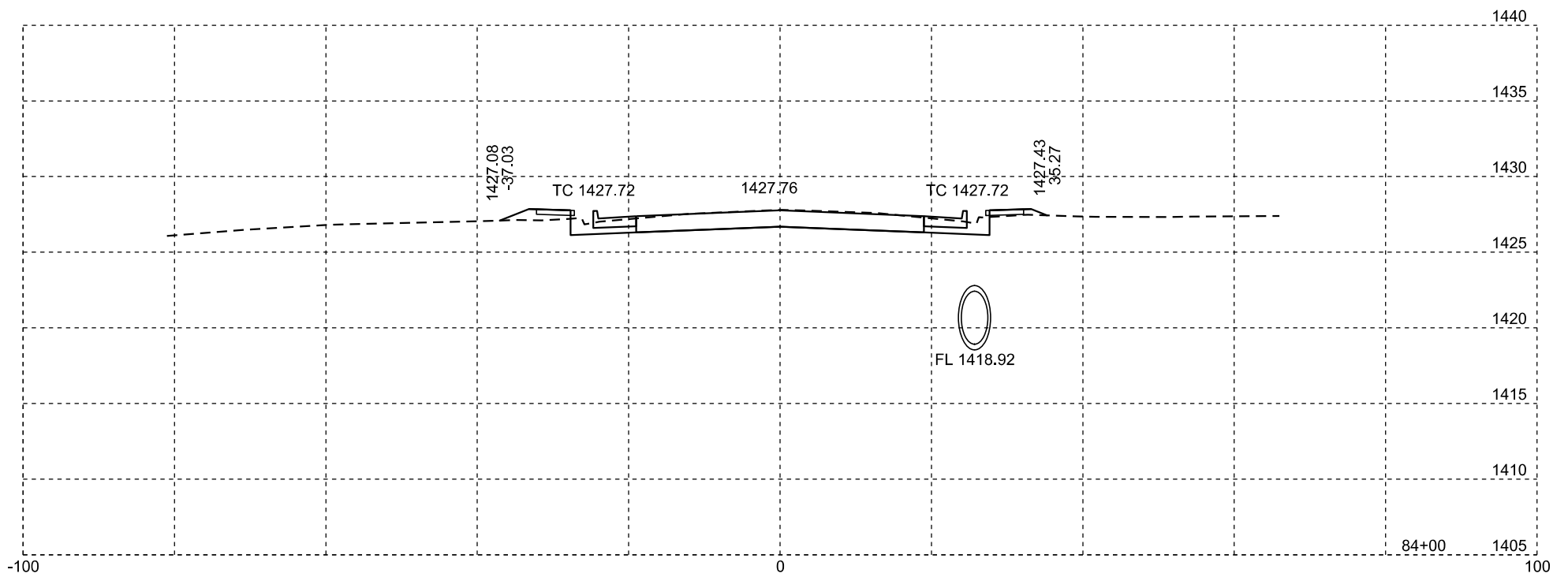
Plotting Date: 09/06/2024

| | | | |
|-----------------------------|-------------------|--------------|-----------------|
| STATE OF SOUTH DAKOTA | PROJECT | SHEET NO. | TOTAL SHEETS |
| | NH-CR 0046(69)288 | X44 | X139 |



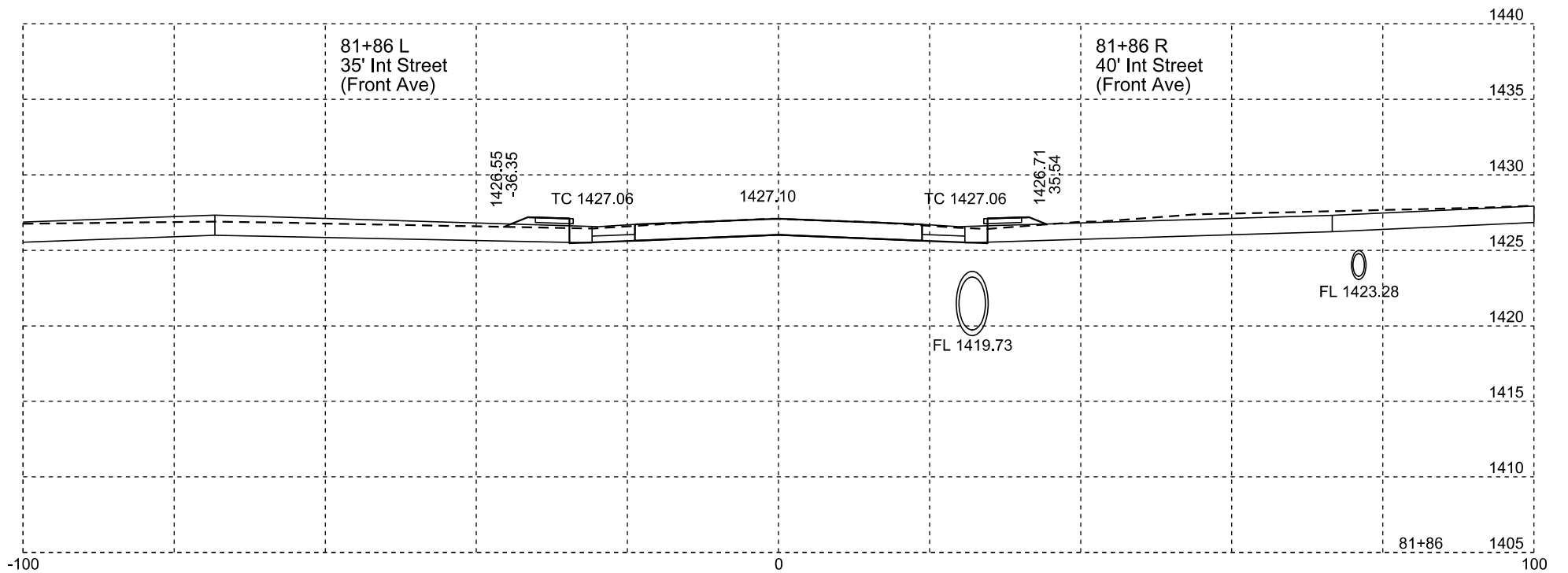
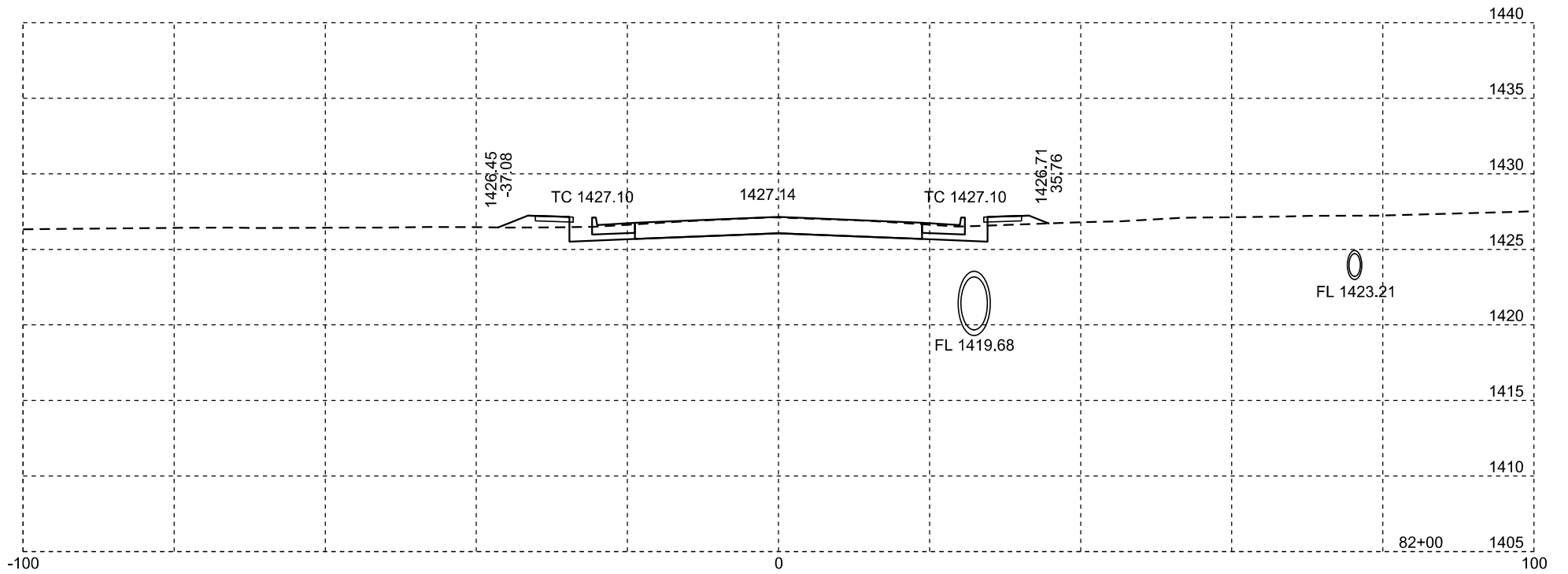
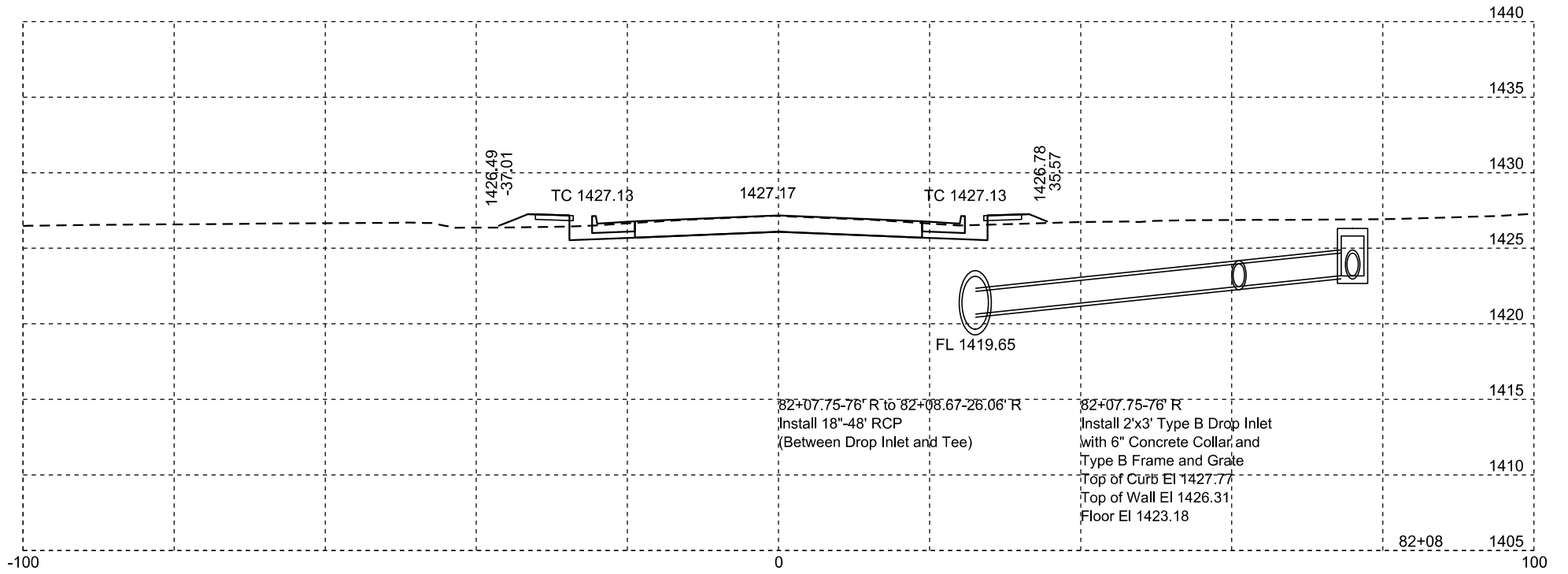
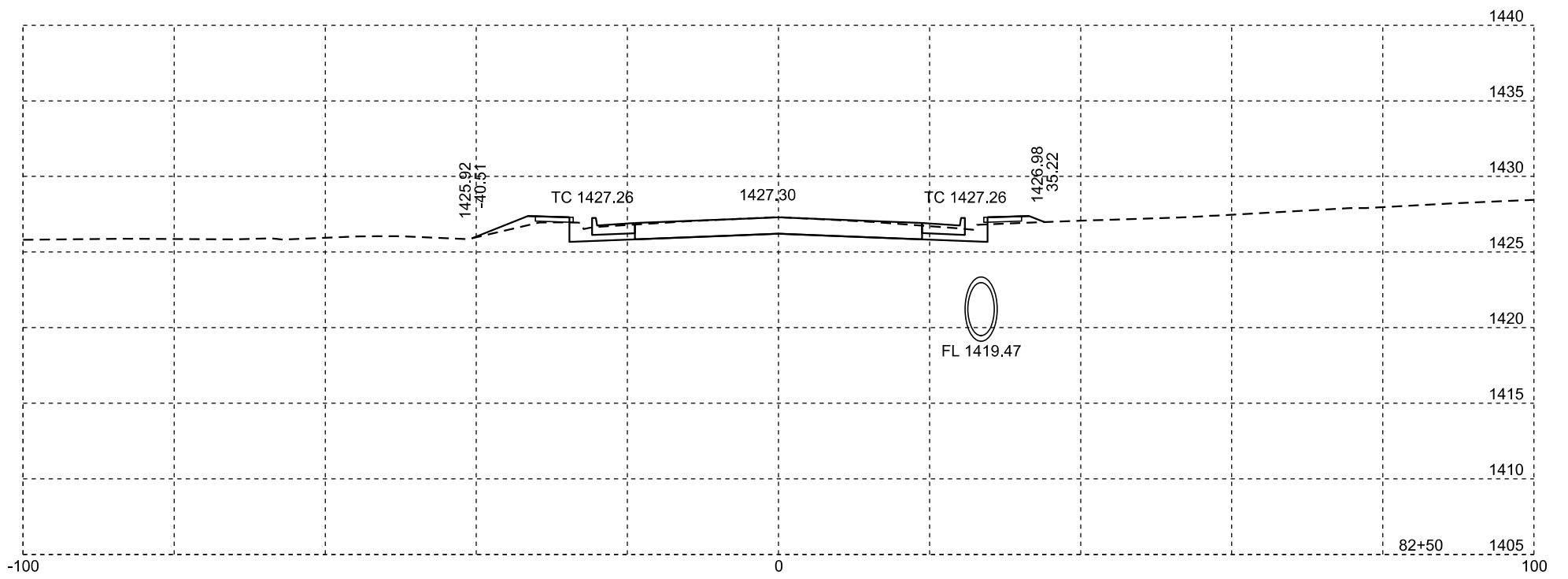
Plotting Date: 09/06/2024

| | | | |
|-----------------------------|-------------------|--------------|-----------------|
| STATE OF SOUTH DAKOTA | PROJECT | SHEET NO. | TOTAL SHEETS |
| | NH-CR 0046(69)288 | X45 | X139 |



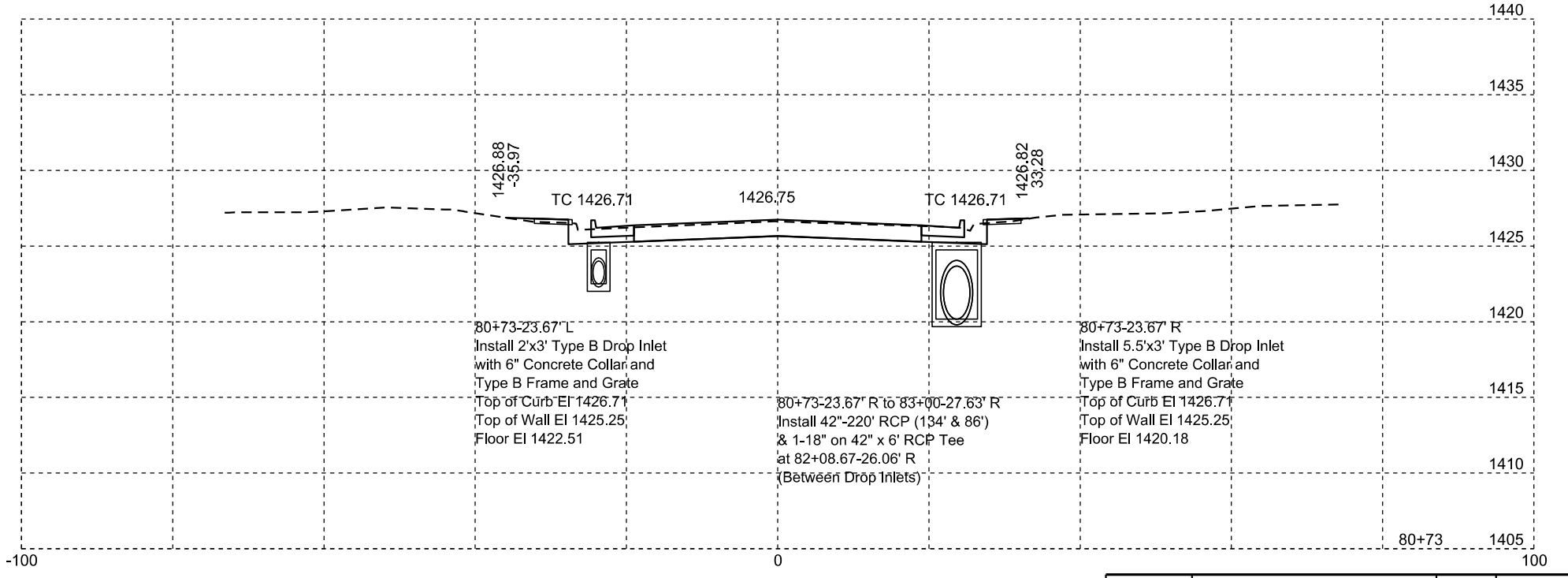
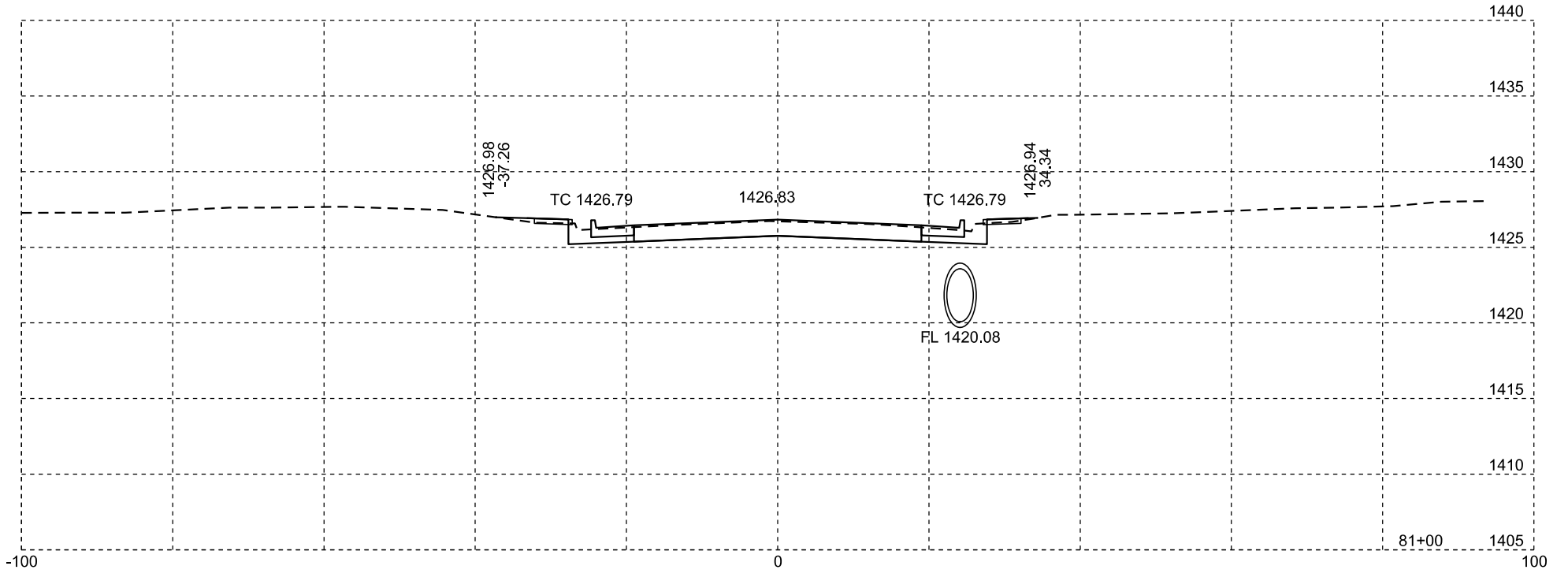
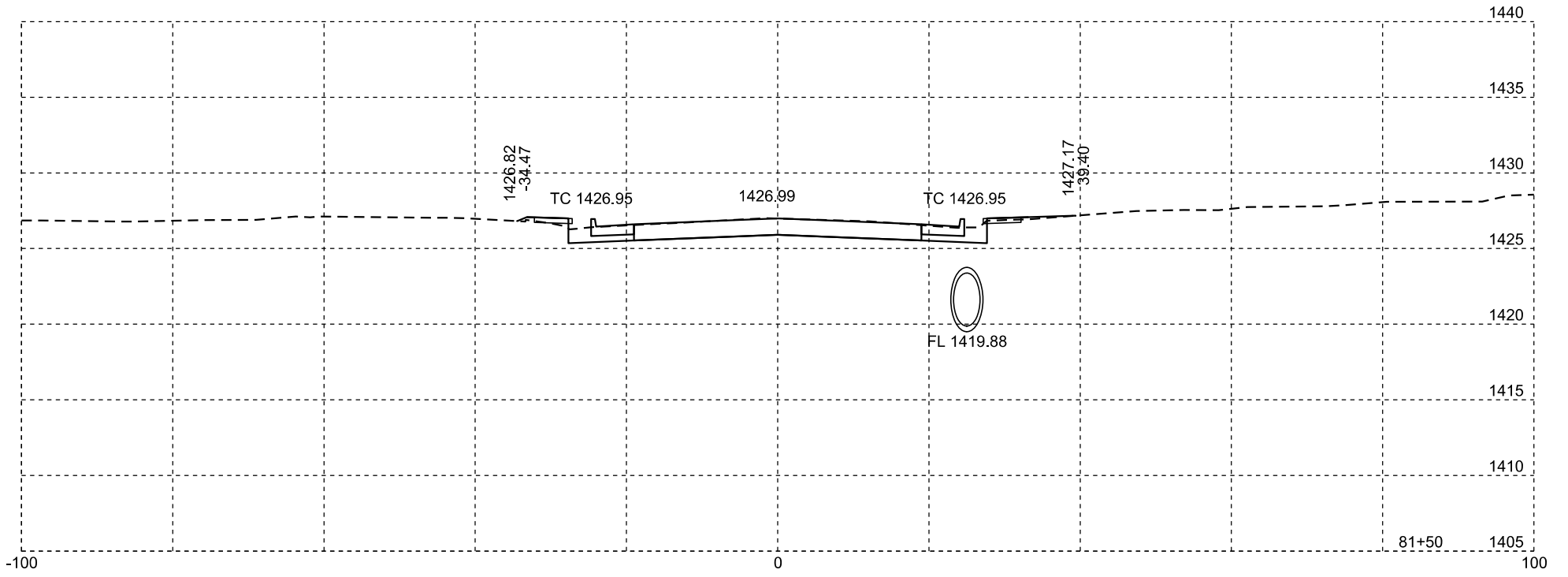
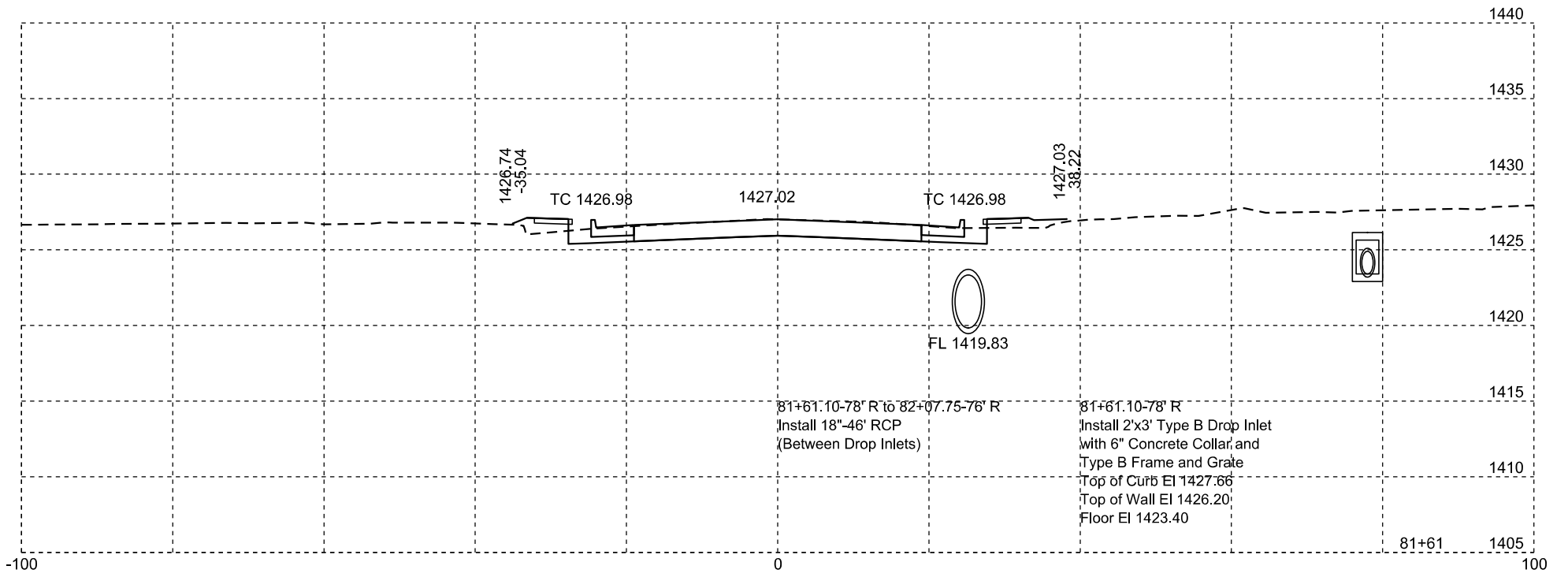
Plotting Date: 09/06/2024

| | | | |
|-----------------------------|-------------------|--------------|-----------------|
| STATE OF SOUTH DAKOTA | PROJECT | SHEET NO. | TOTAL SHEETS |
| | NH-CR 0046(69)288 | X46 | X139 |



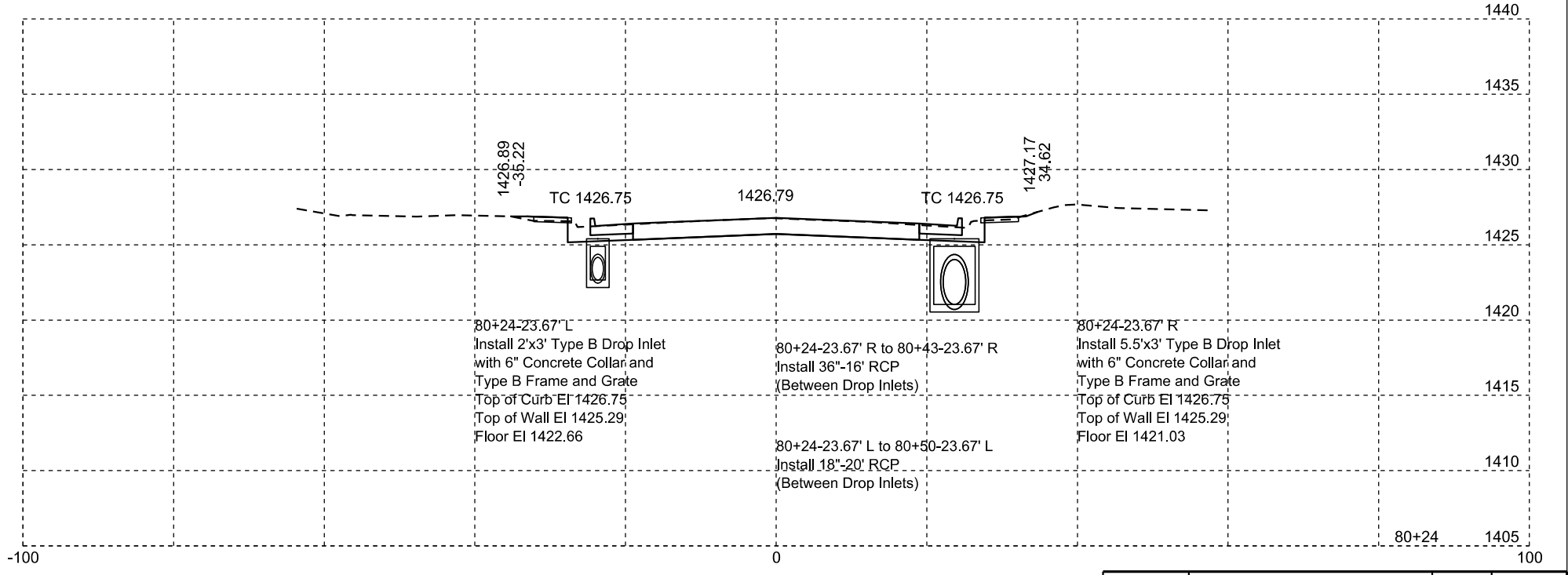
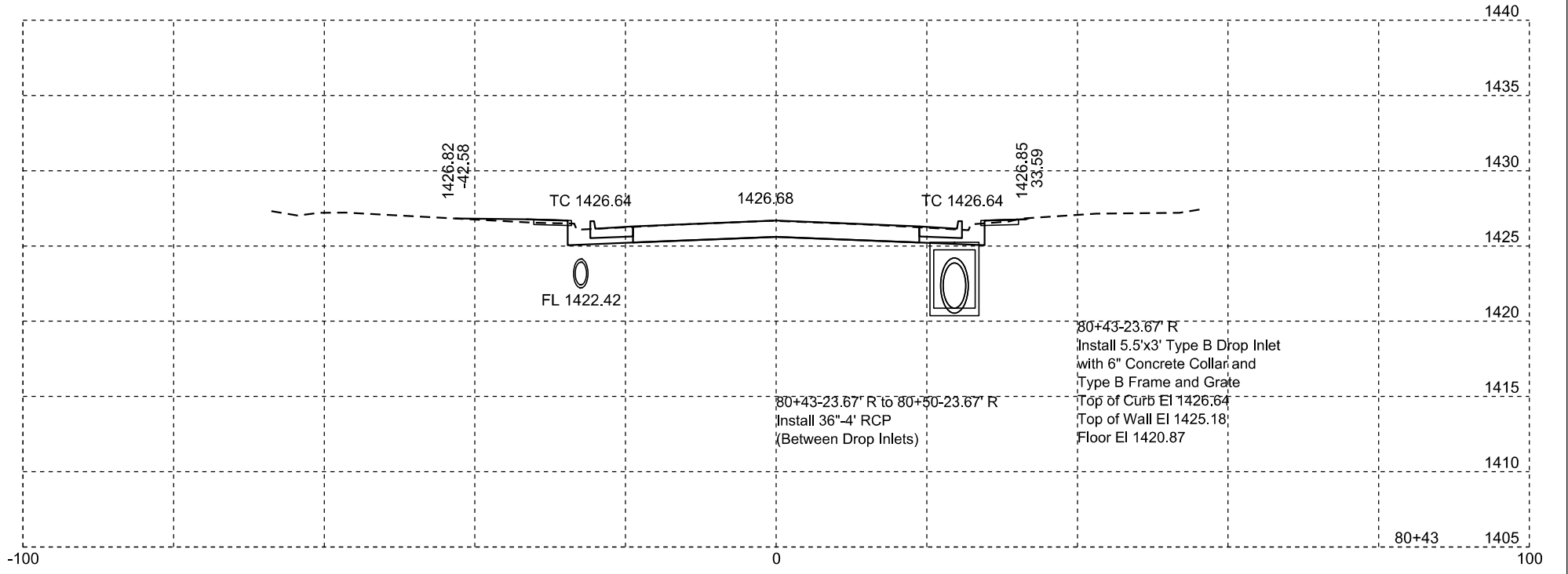
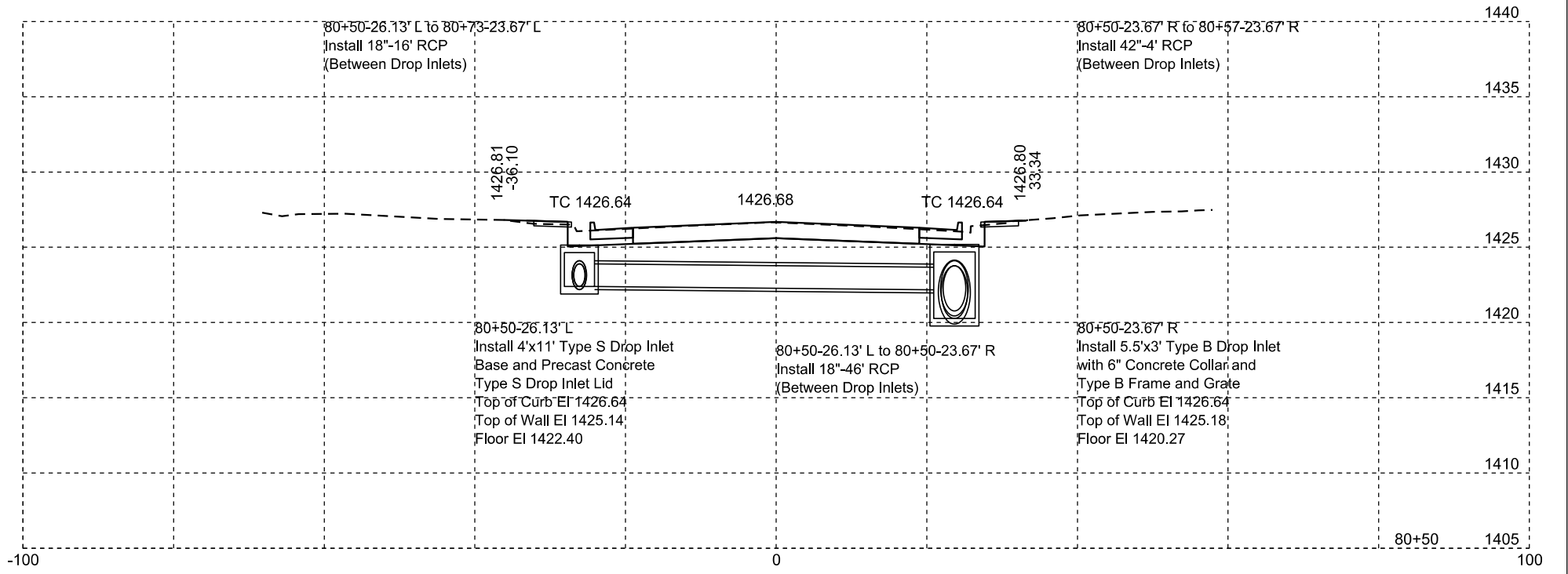
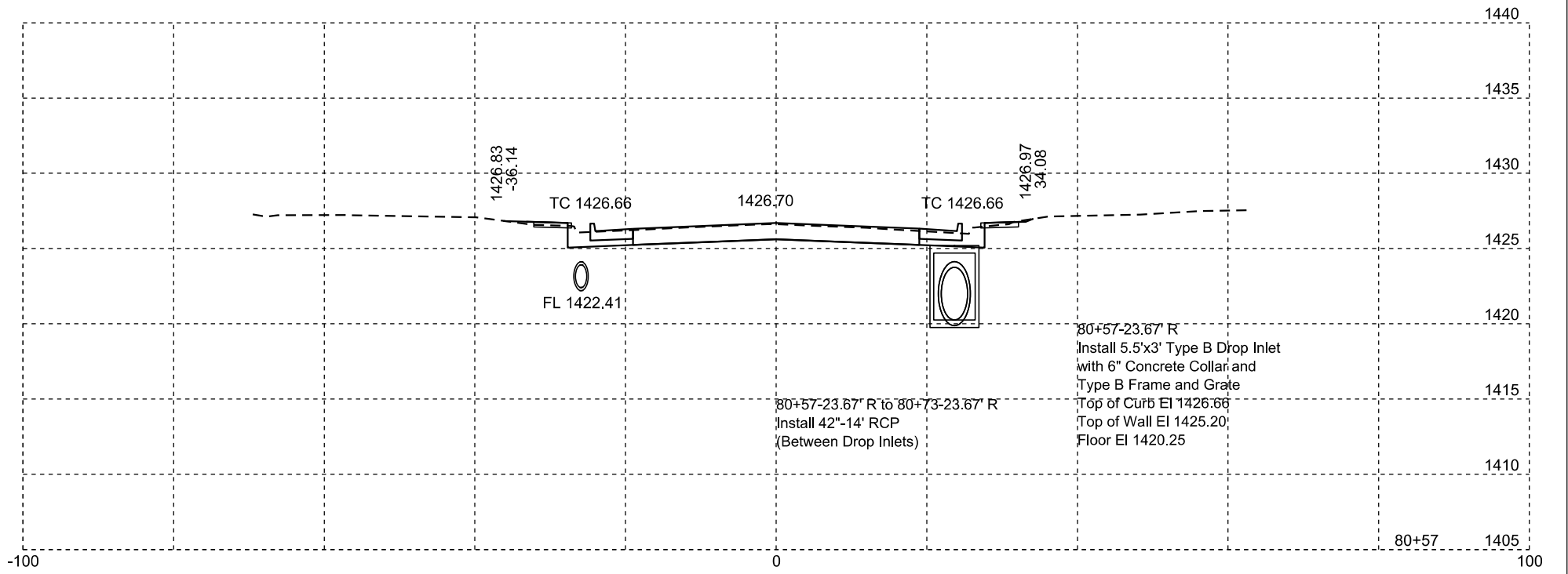
Plotting Date: 09/06/2024

| | | | |
|-----------------------------|-------------------|--------------|-----------------|
| STATE OF SOUTH DAKOTA | PROJECT | SHEET NO. | TOTAL SHEETS |
| | NH-CR 0046(69)288 | X47 | X139 |



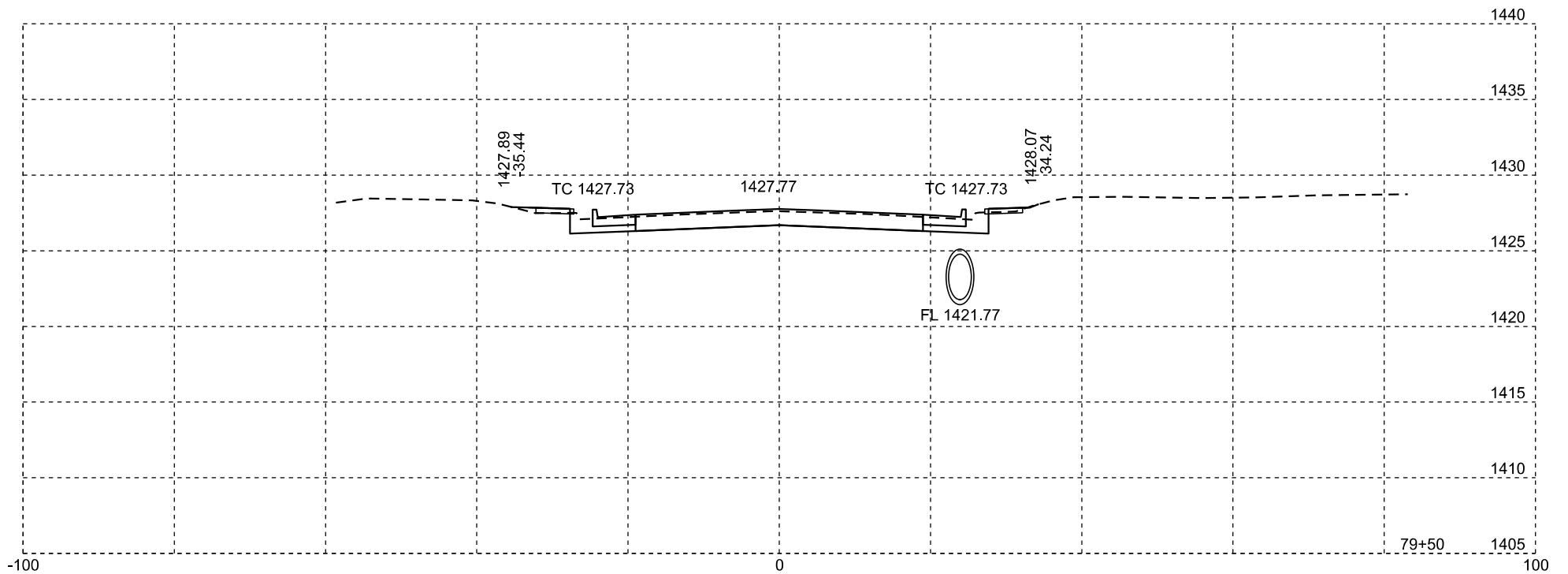
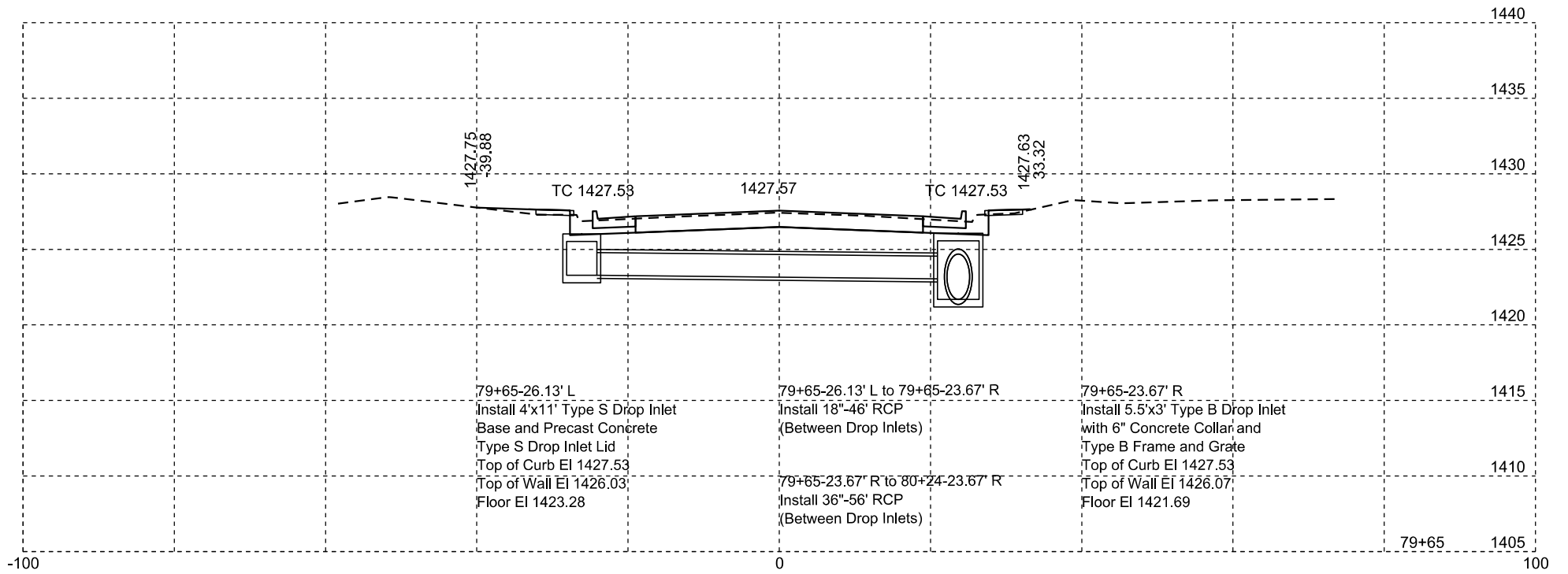
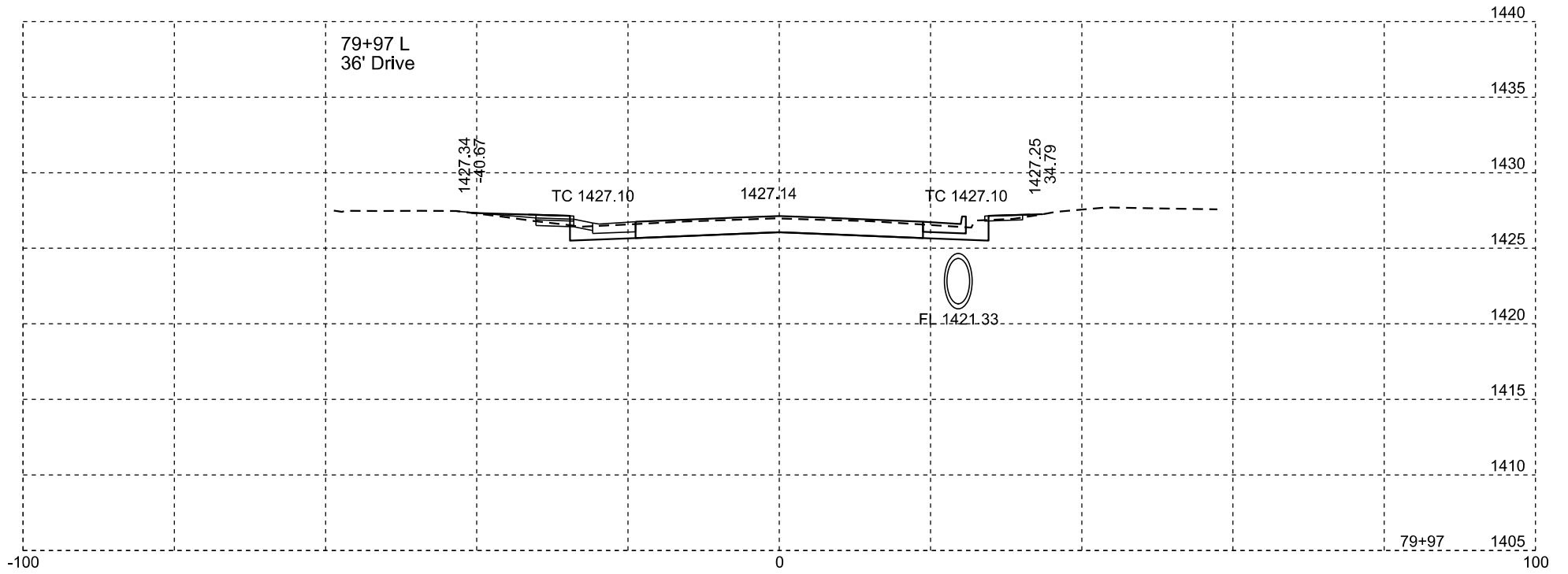
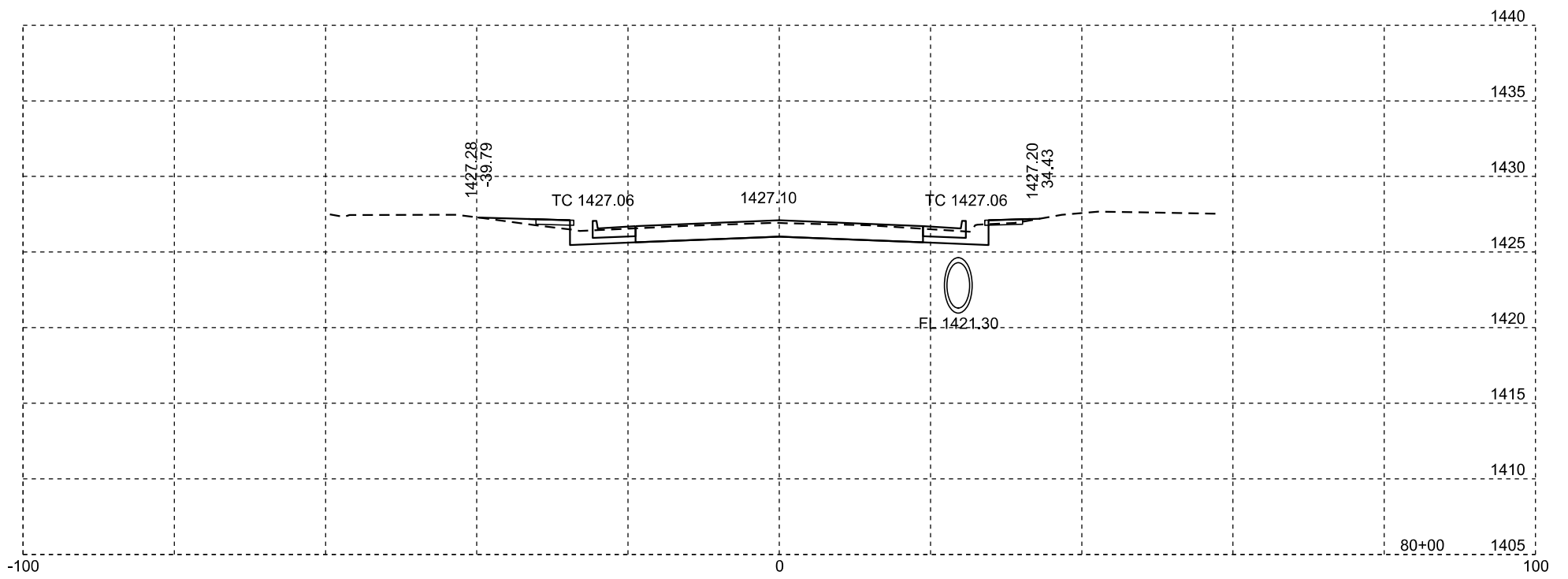
Plotting Date: 09/06/2024

| | | | |
|-----------------------------|-------------------|--------------|-----------------|
| STATE OF SOUTH DAKOTA | PROJECT | SHEET NO. | TOTAL SHEETS |
| | NH-CR 0046(69)288 | X48 | X139 |



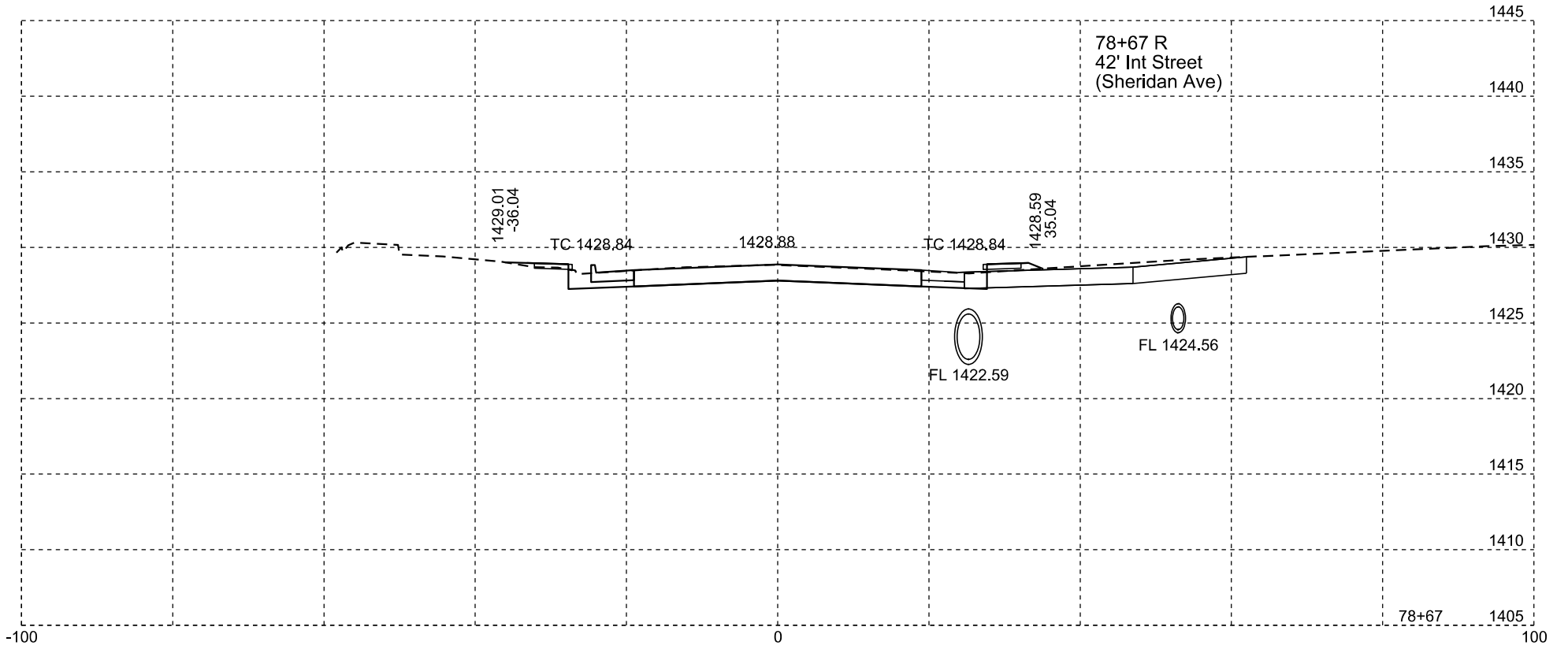
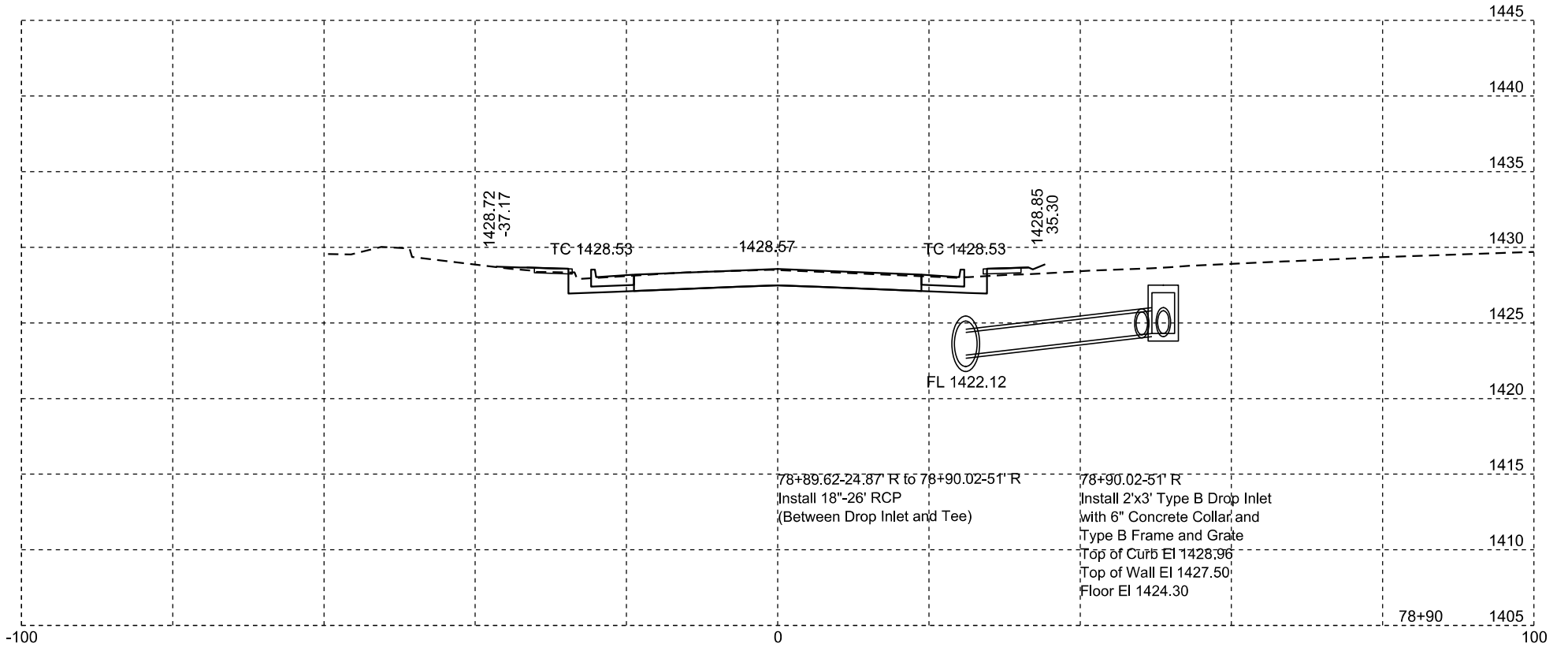
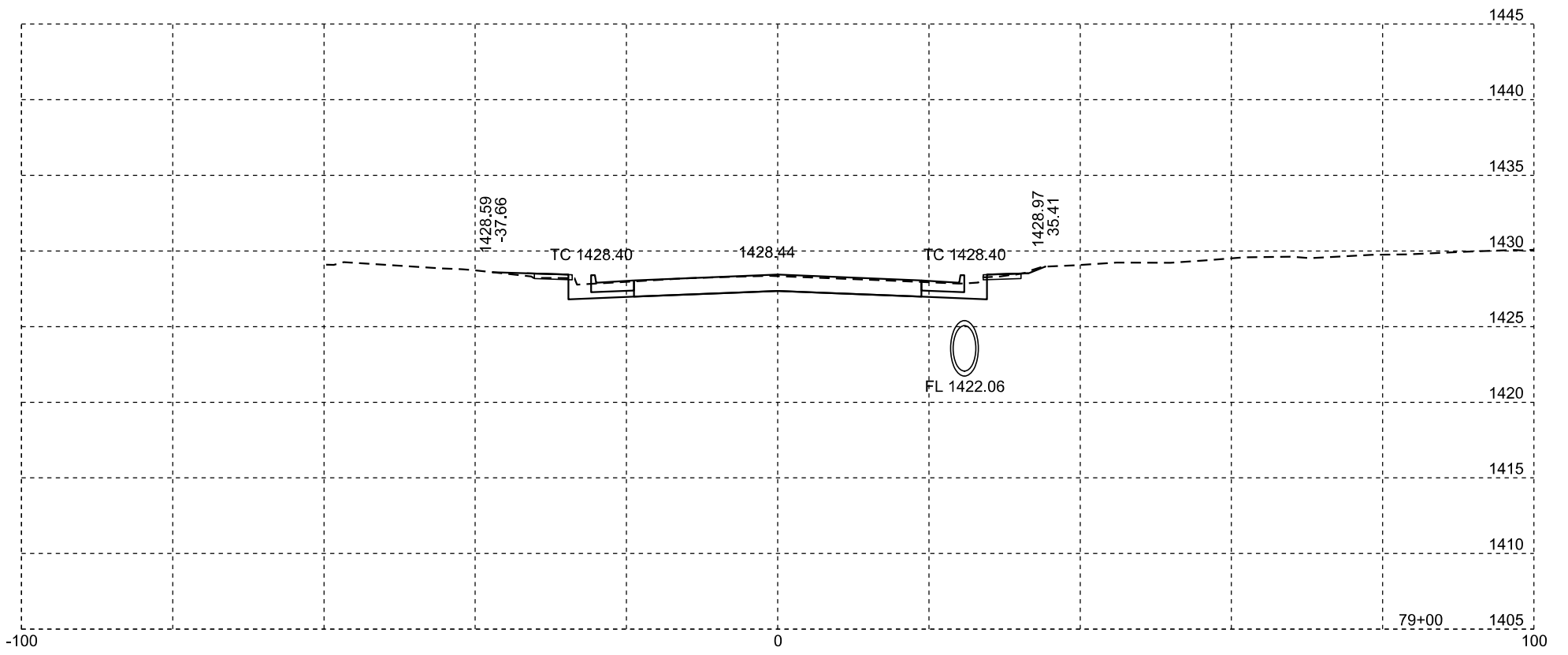
Plotting Date: 09/06/2024

| | | | |
|-----------------------|-------------------|-----------|--------------|
| STATE OF SOUTH DAKOTA | PROJECT | SHEET NO. | TOTAL SHEETS |
| | NH-CR 0046(69)288 | X49 | X139 |



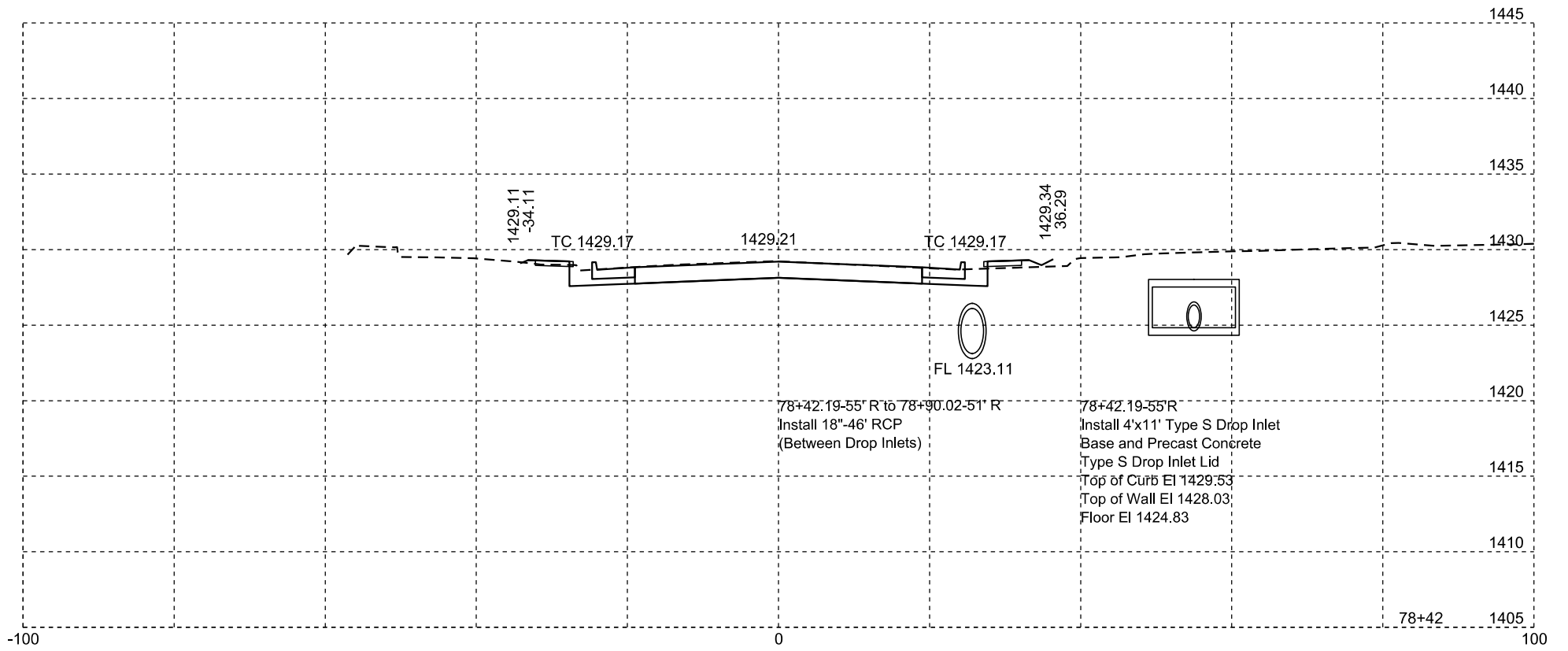
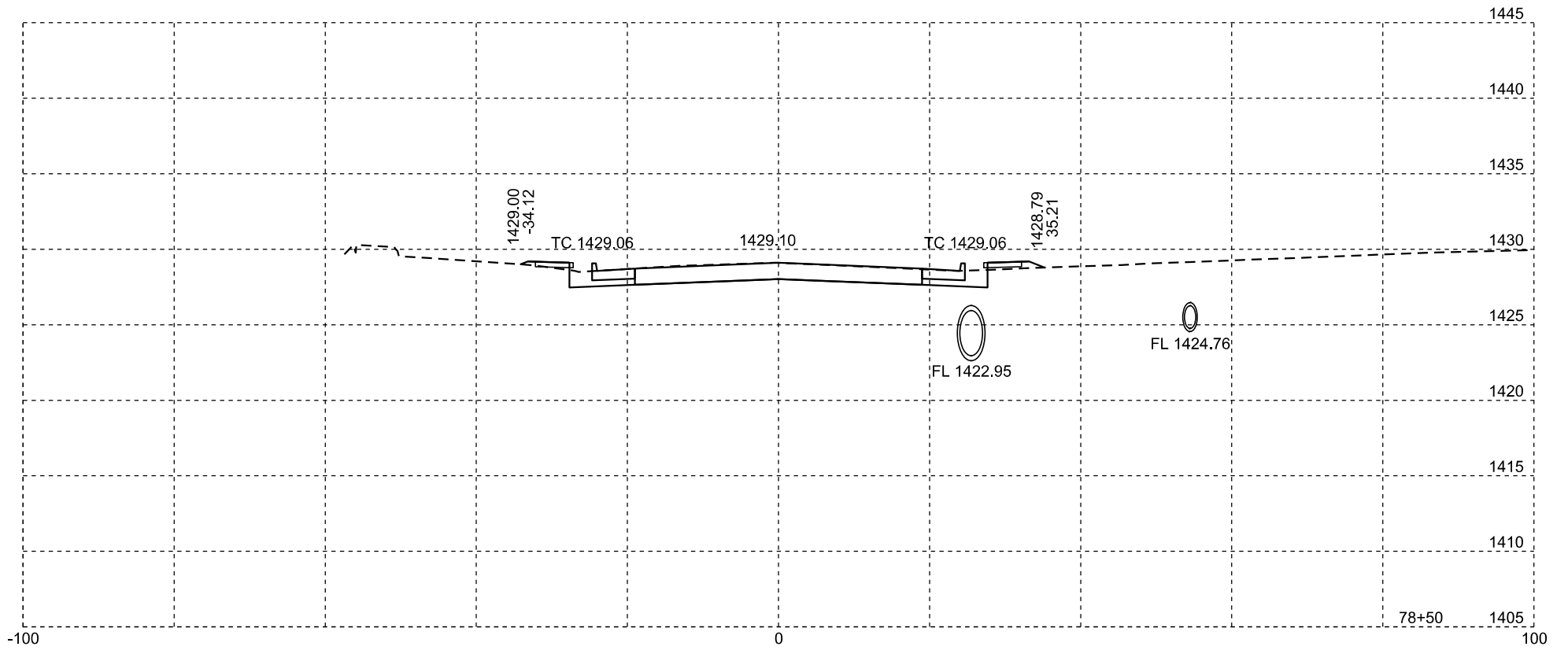
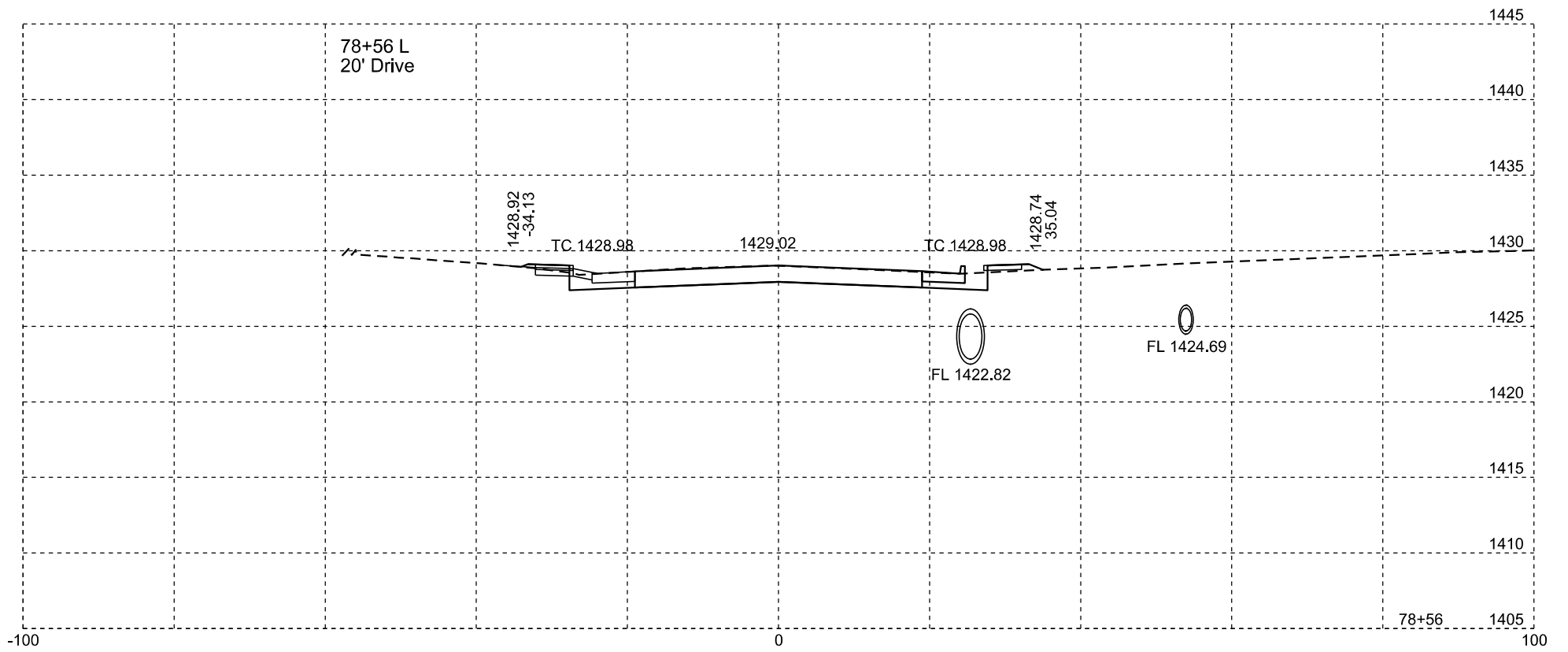
Plotting Date: 09/06/2024

| | | | |
|-----------------------------|-------------------|--------------|-----------------|
| STATE OF SOUTH DAKOTA | PROJECT | SHEET NO. | TOTAL SHEETS |
| | NH-CR 0046(69)288 | X50 | X139 |



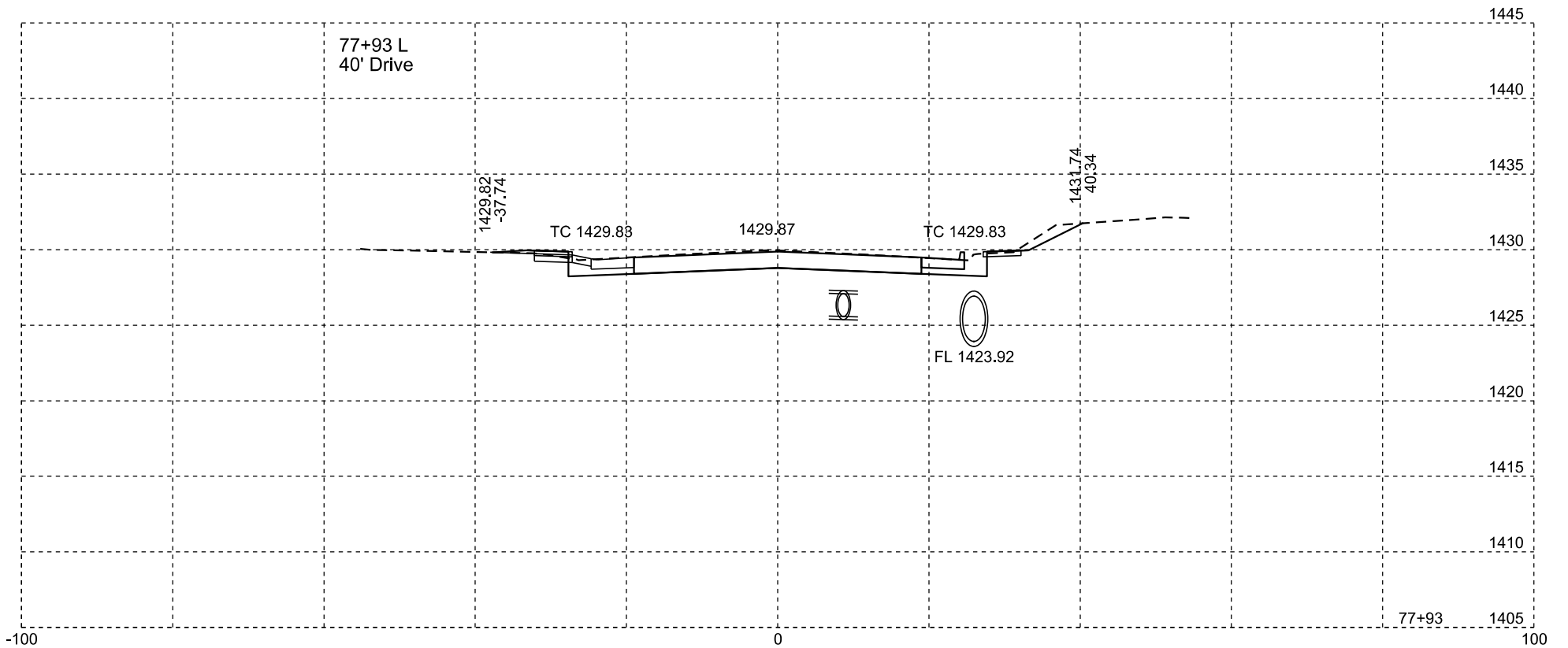
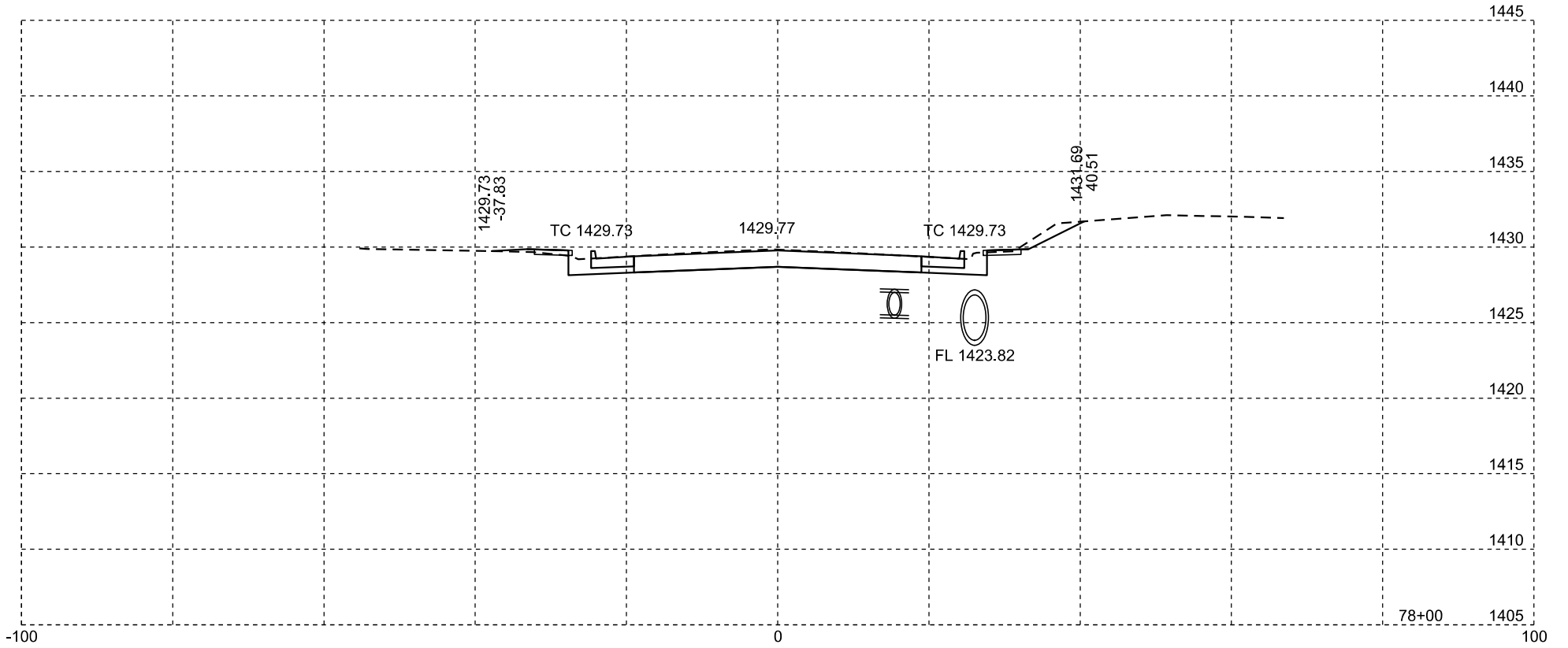
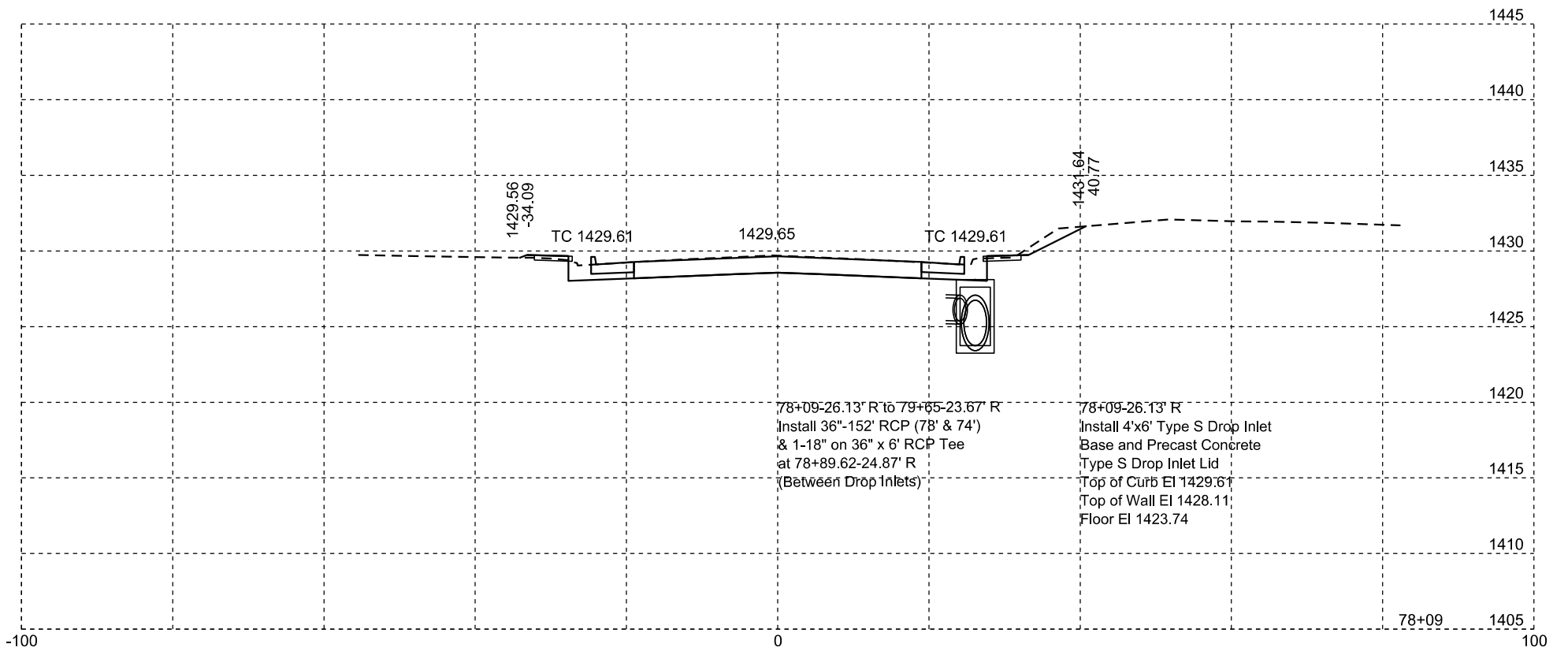
Plotting Date: 09/06/2024

| | | | |
|-----------------------------|-------------------|--------------|-----------------|
| STATE OF SOUTH DAKOTA | PROJECT | SHEET NO. | TOTAL SHEETS |
| | NH-CR 0046(69)288 | X51 | X139 |



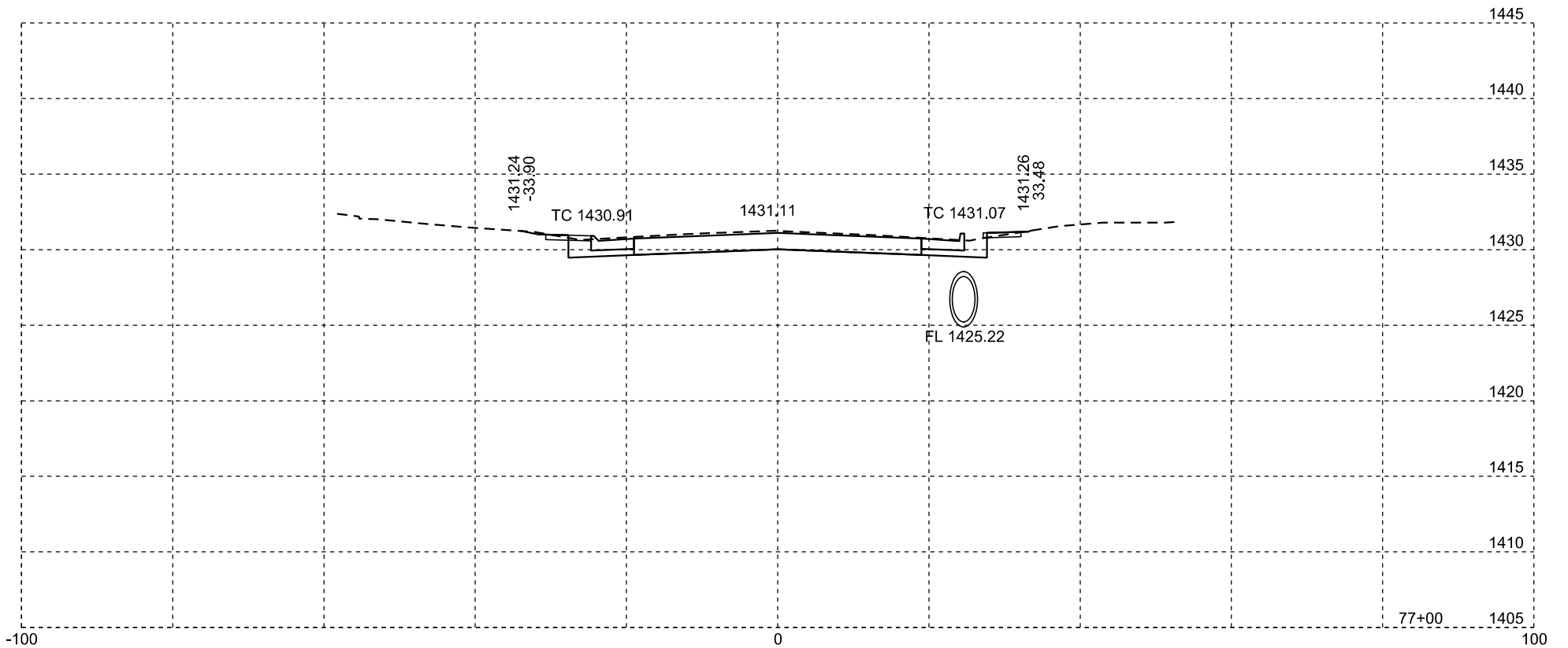
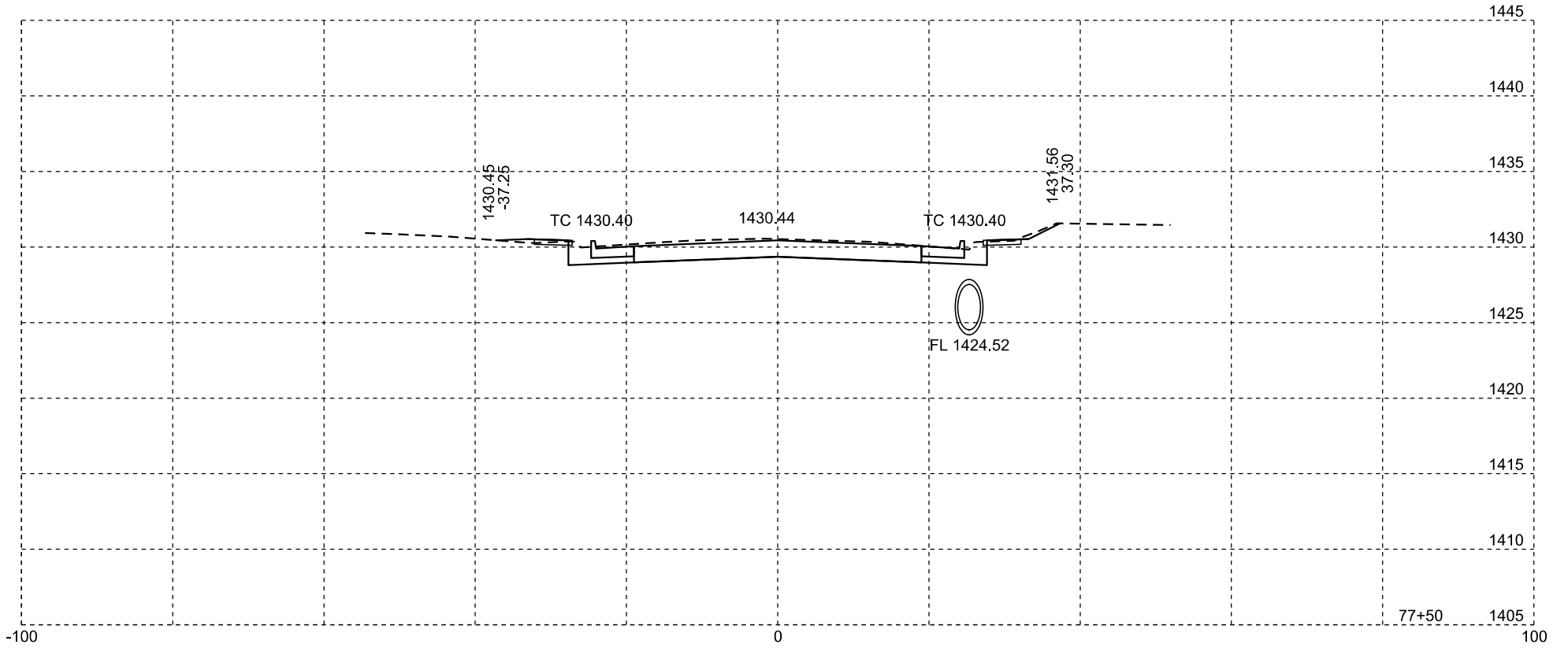
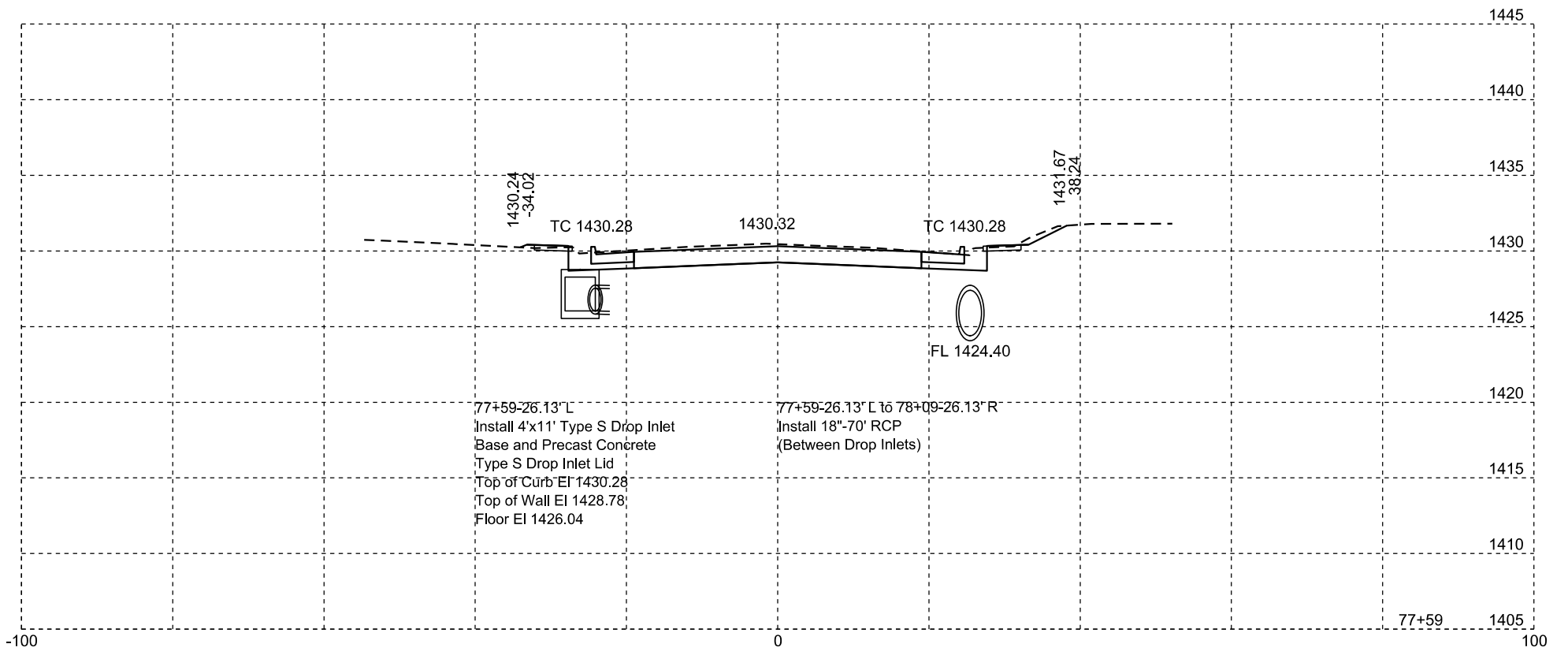
Plotting Date: 09/06/2024

| | | | |
|-----------------------------|-------------------|--------------|-----------------|
| STATE OF SOUTH DAKOTA | PROJECT | SHEET NO. | TOTAL SHEETS |
| | NH-CR 0046(69)288 | X52 | X139 |



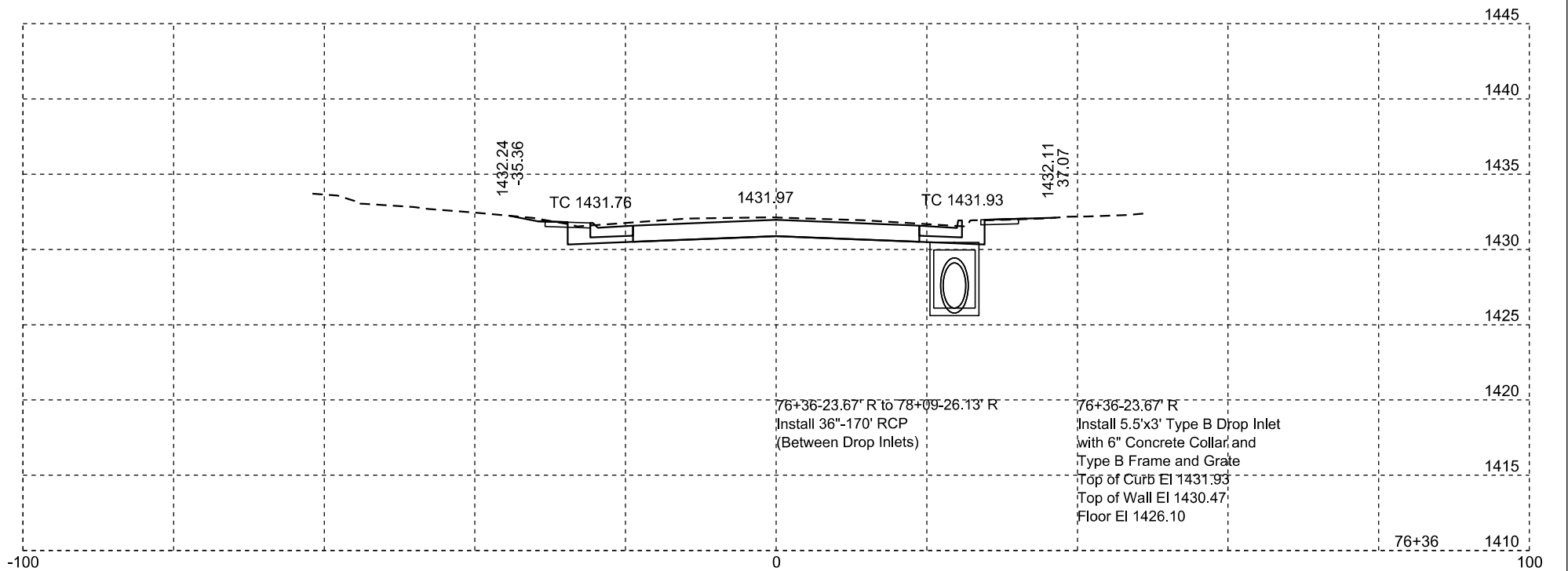
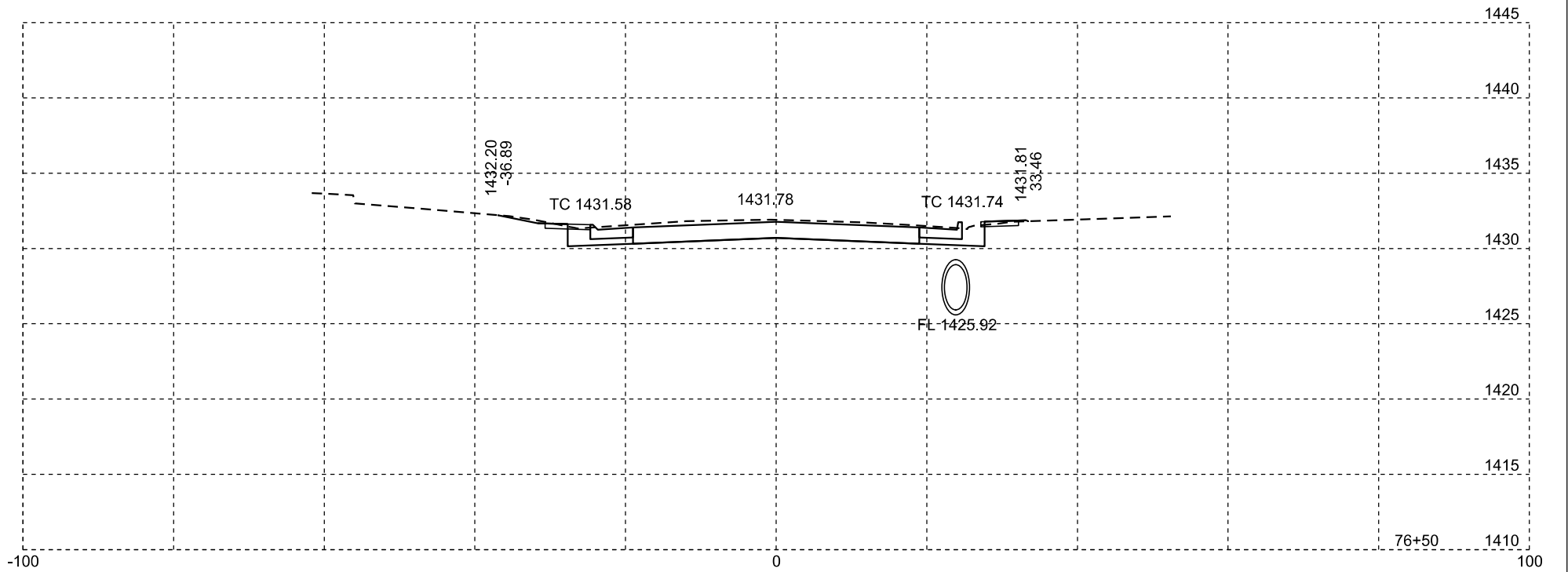
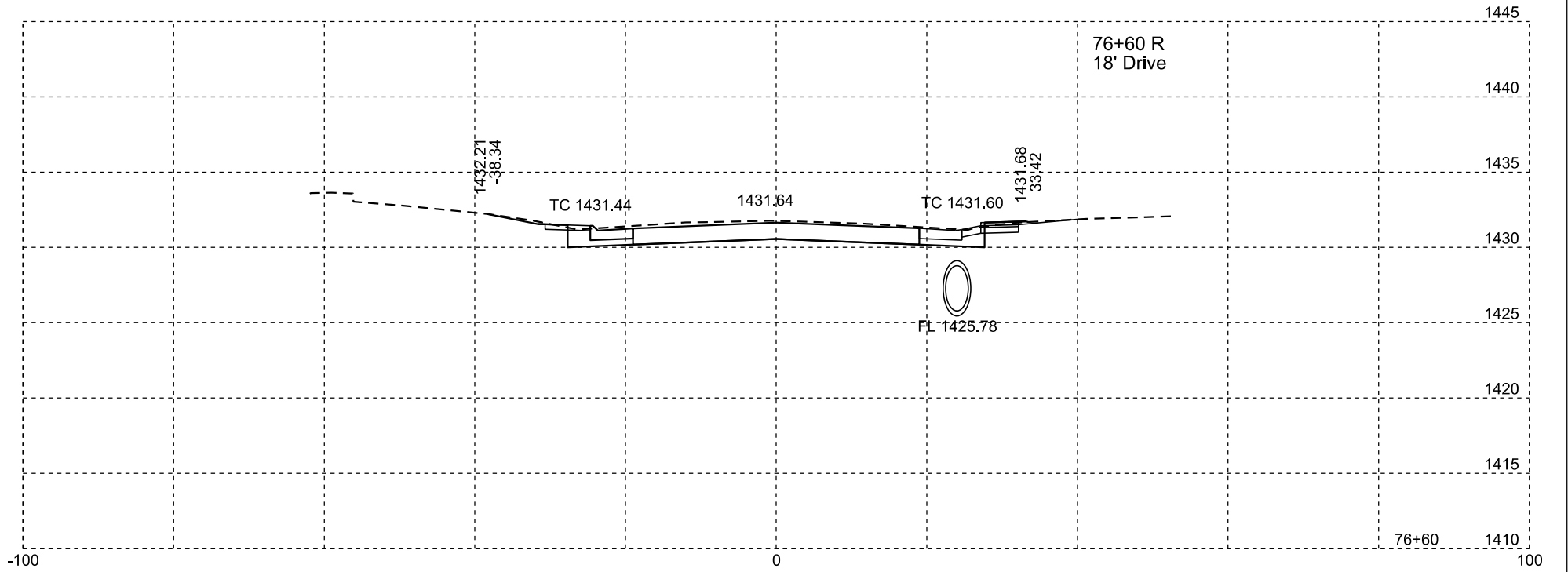
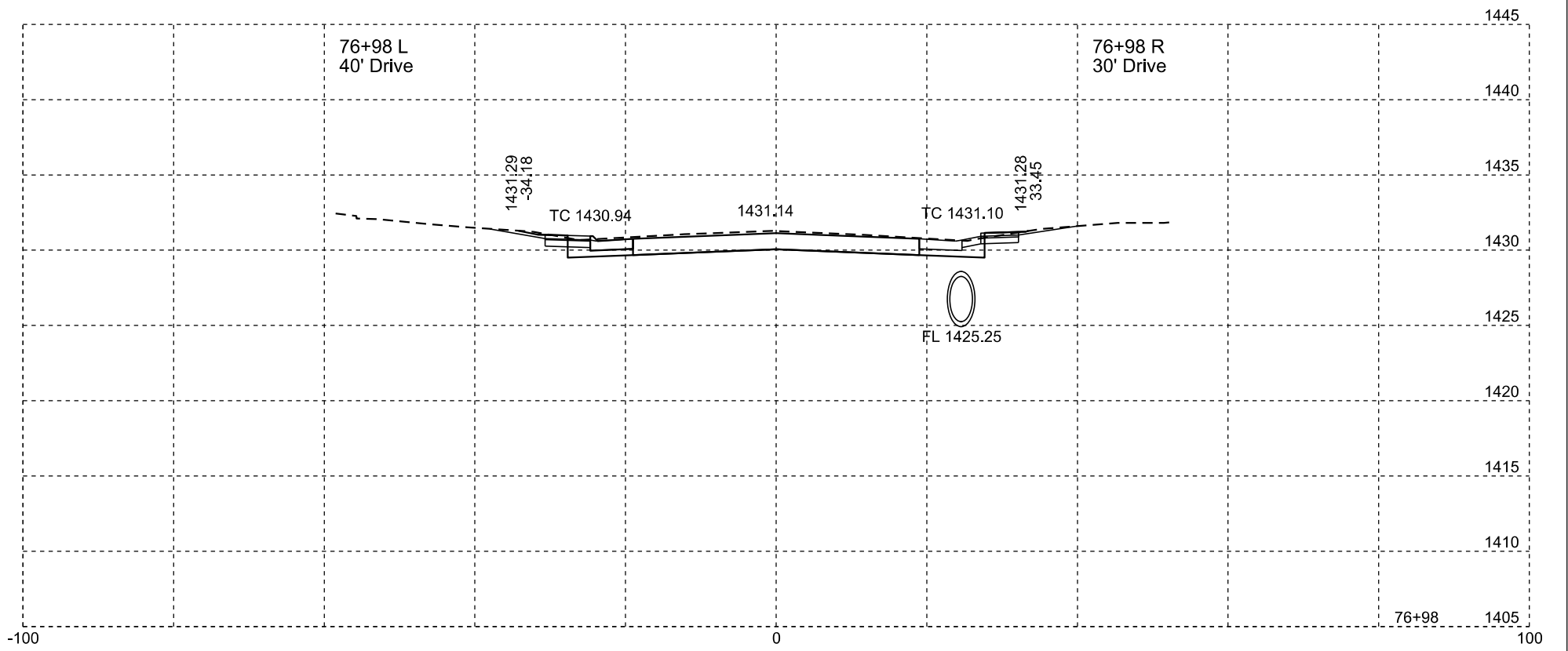
| | | | |
|-----------------------------|-------------------|--------------|-----------------|
| STATE OF SOUTH DAKOTA | PROJECT | SHEET NO. | TOTAL SHEETS |
| | NH-CR 0046(69)288 | X53 | X139 |

Plotting Date: 09/06/2024



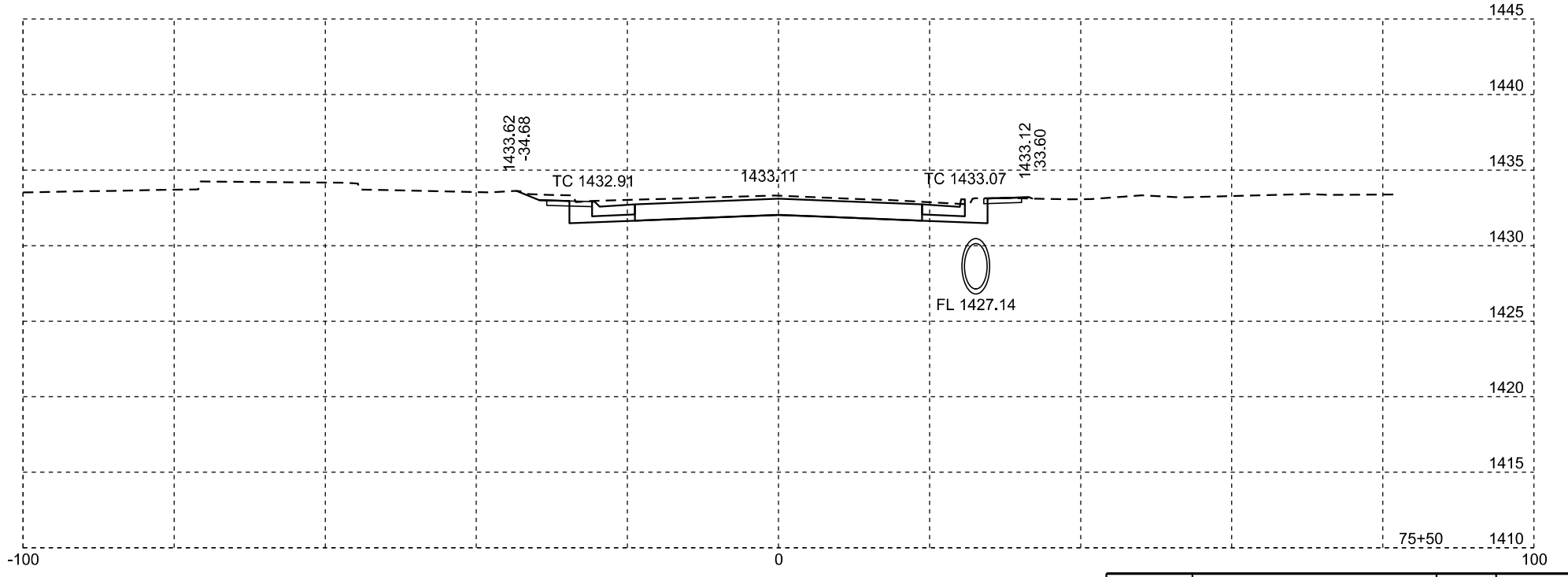
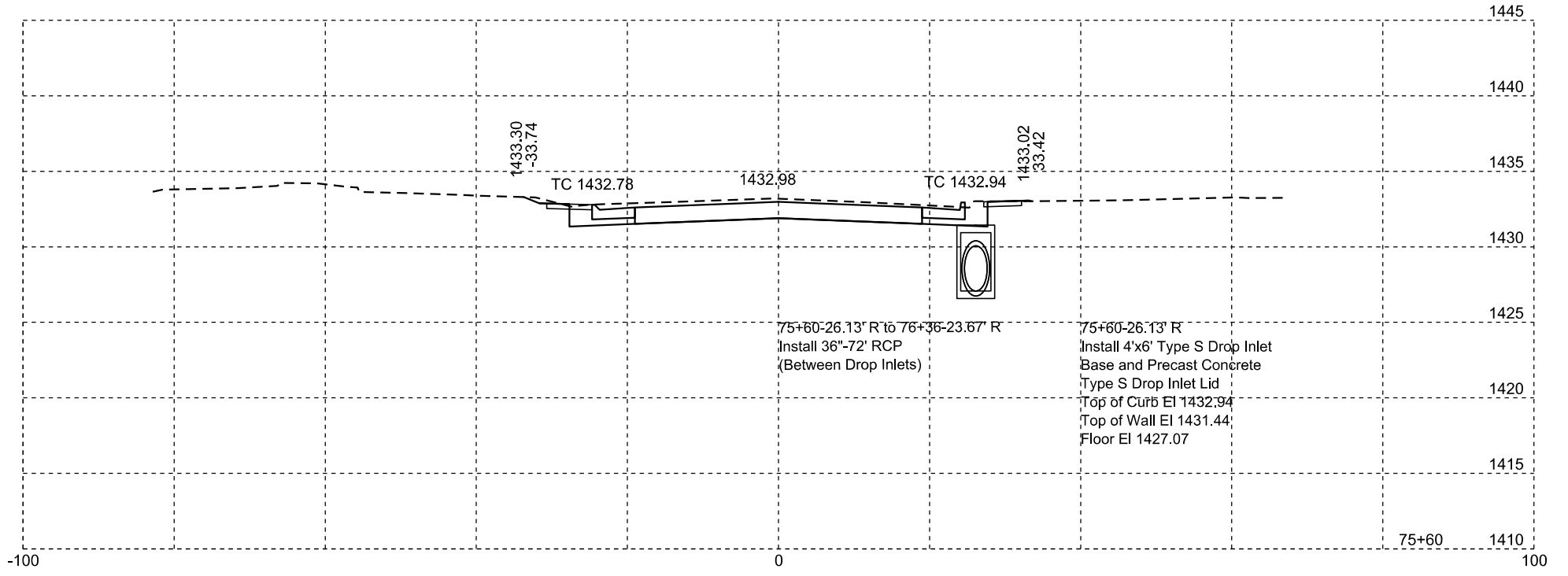
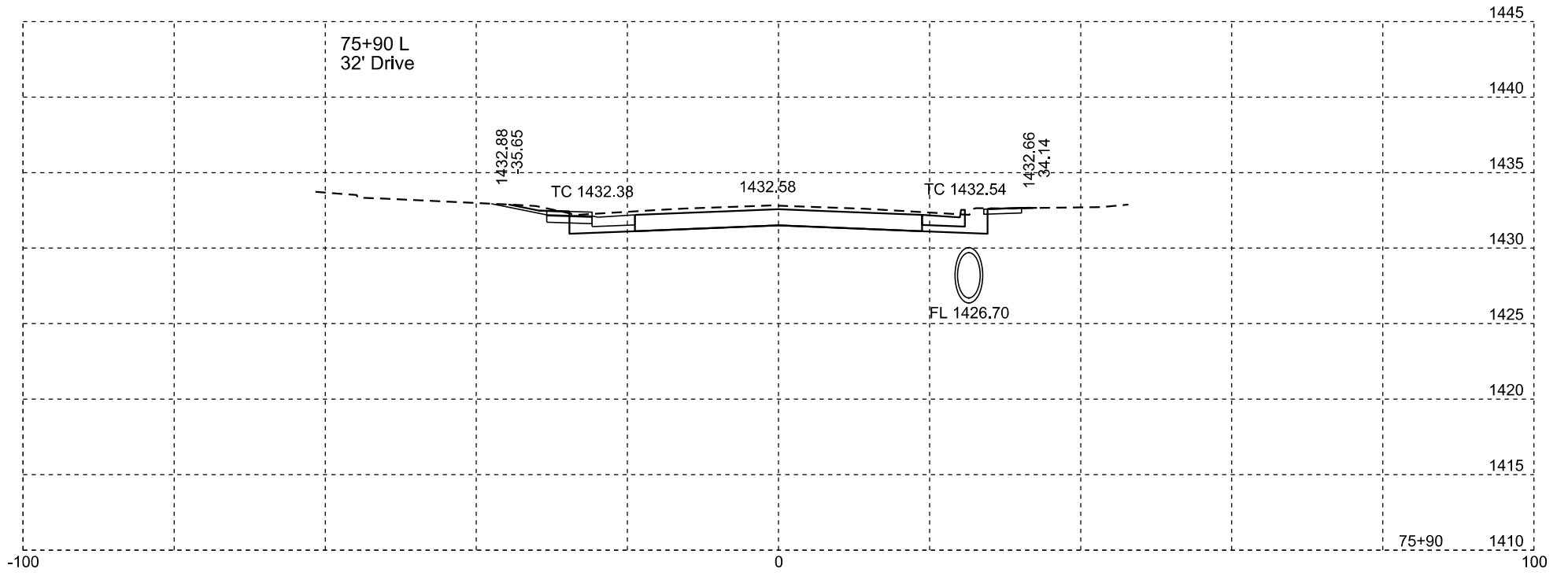
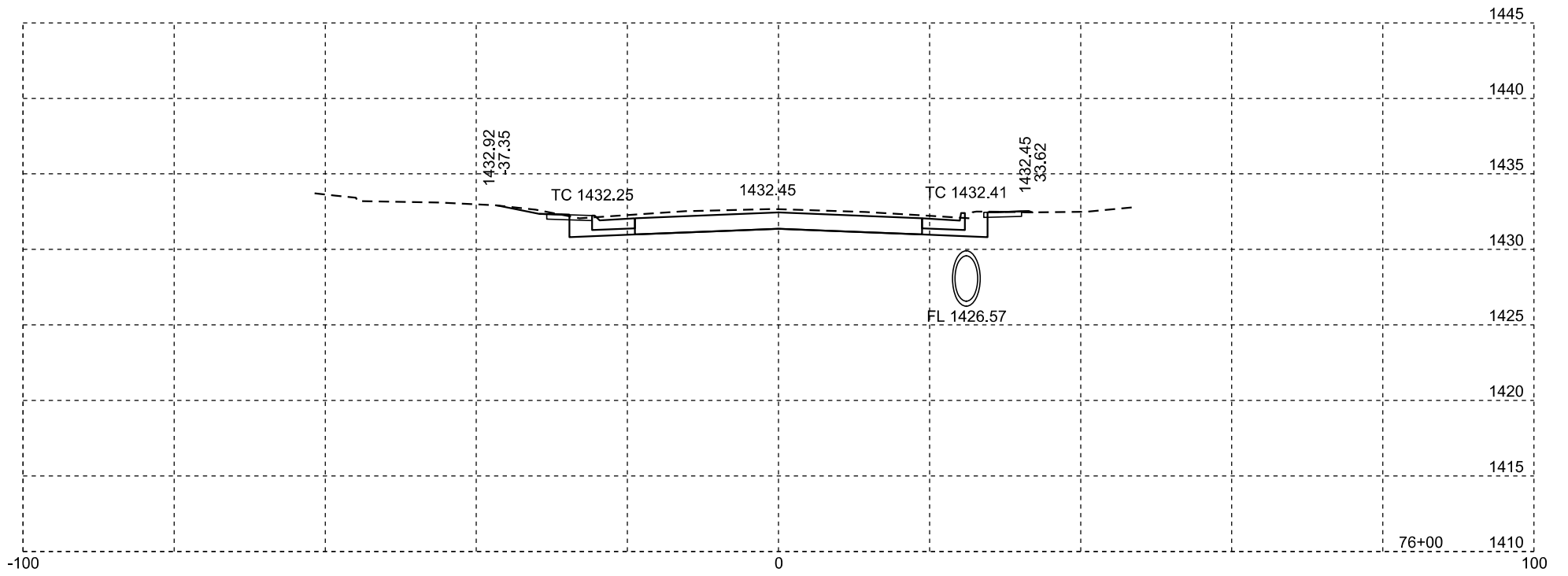
Plotting Date: 09/06/2024

| | | | |
|-----------------------------|-------------------|--------------|-----------------|
| STATE OF SOUTH DAKOTA | PROJECT | SHEET NO. | TOTAL SHEETS |
| | NH-CR 0046(69)288 | X54 | X139 |



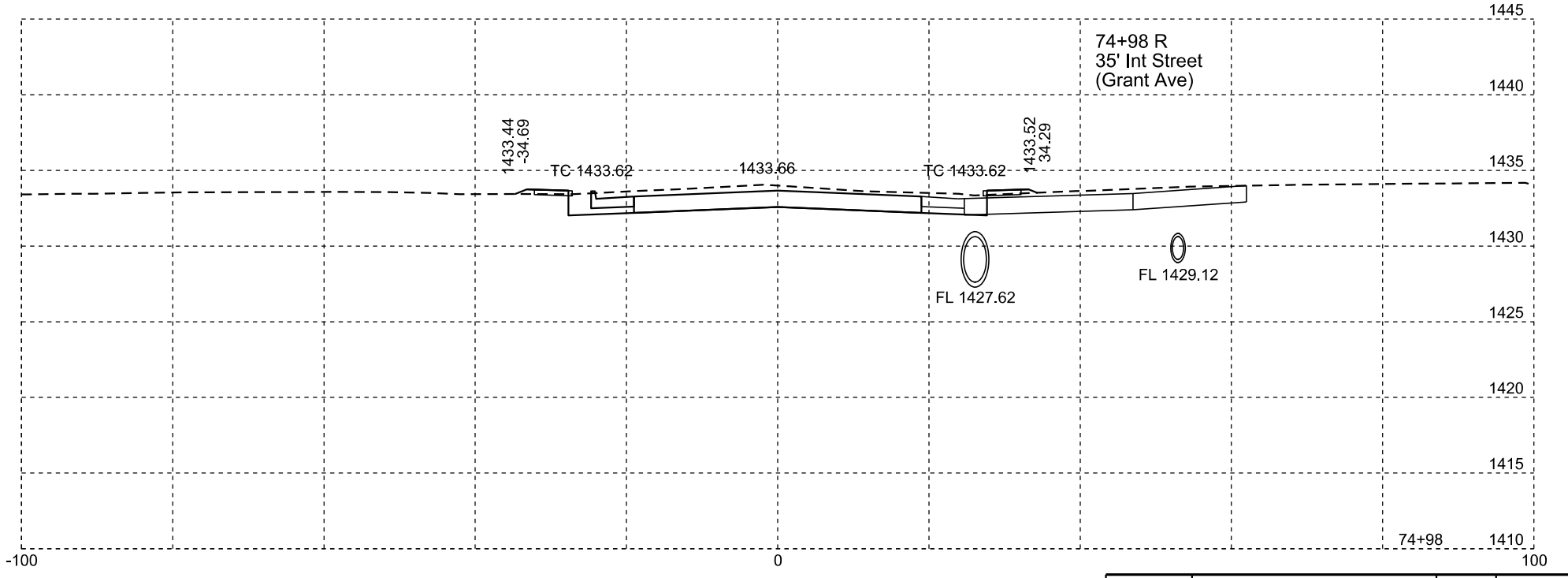
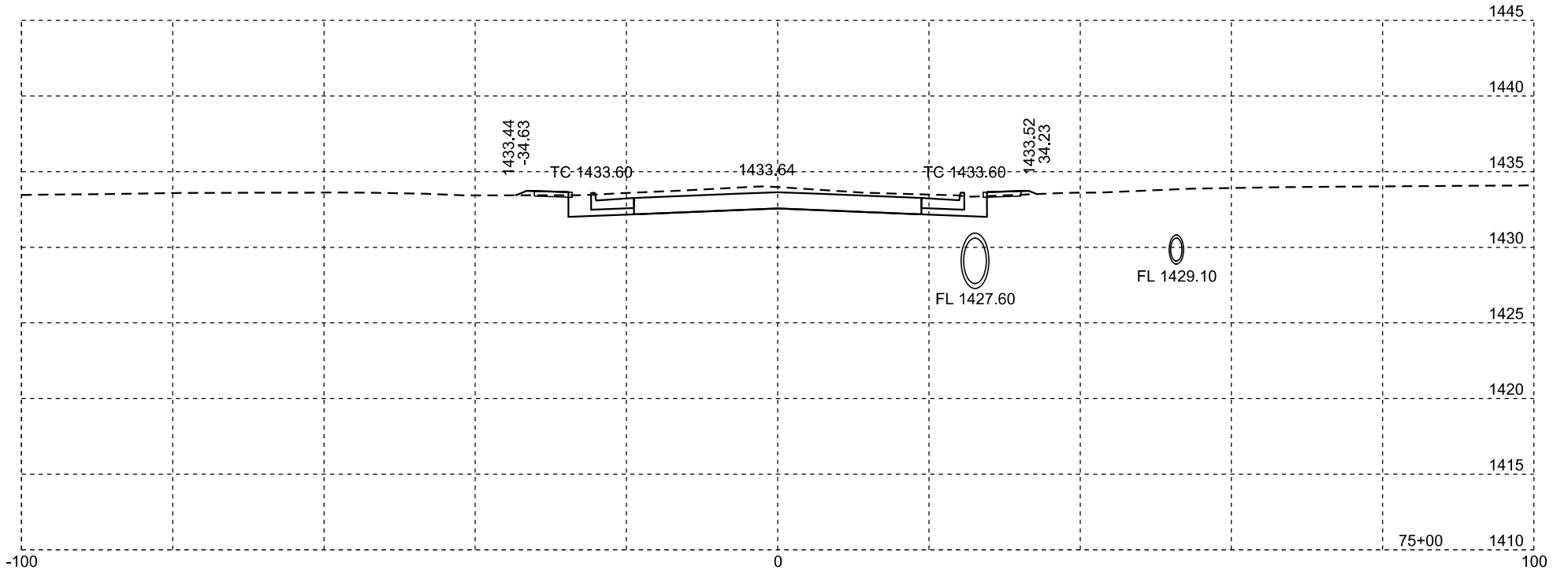
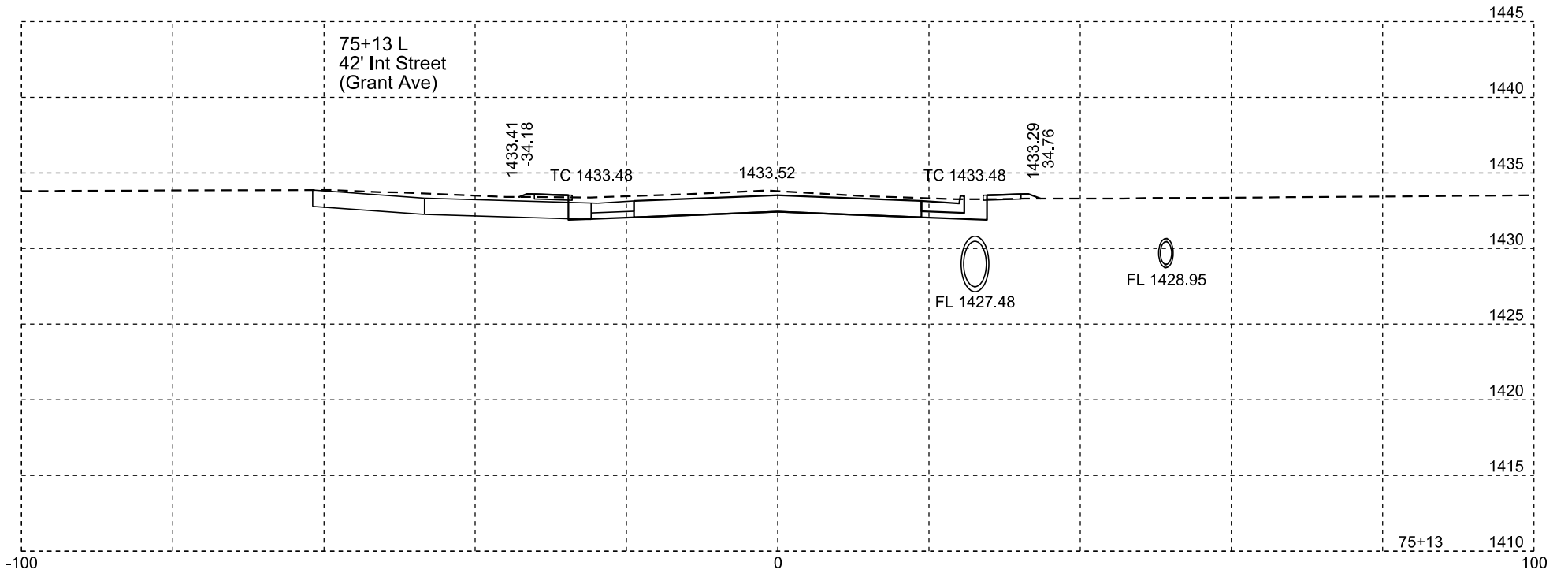
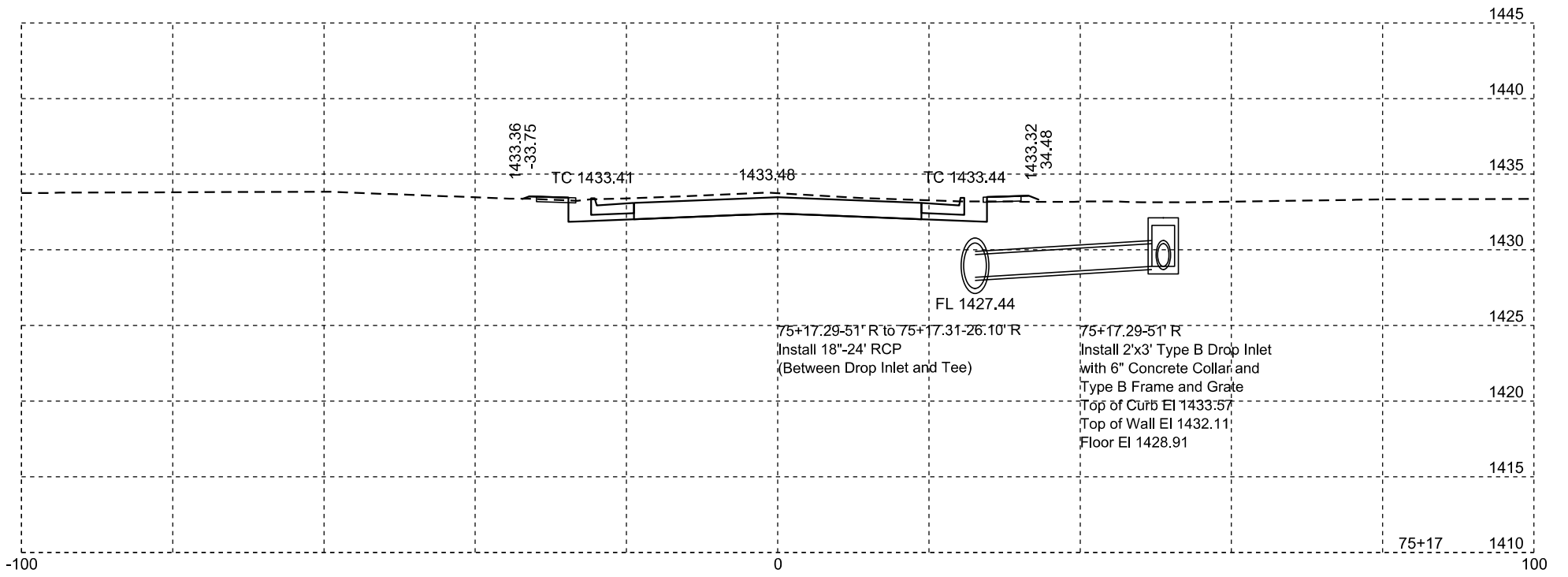
Plotting Date: 09/06/2024

| STATE OF SOUTH DAKOTA | PROJECT | SHEET NO. | TOTAL SHEETS |
|-----------------------------|-------------------|--------------|-----------------|
| | NH-CR 0046(69)288 | X55 | X139 |



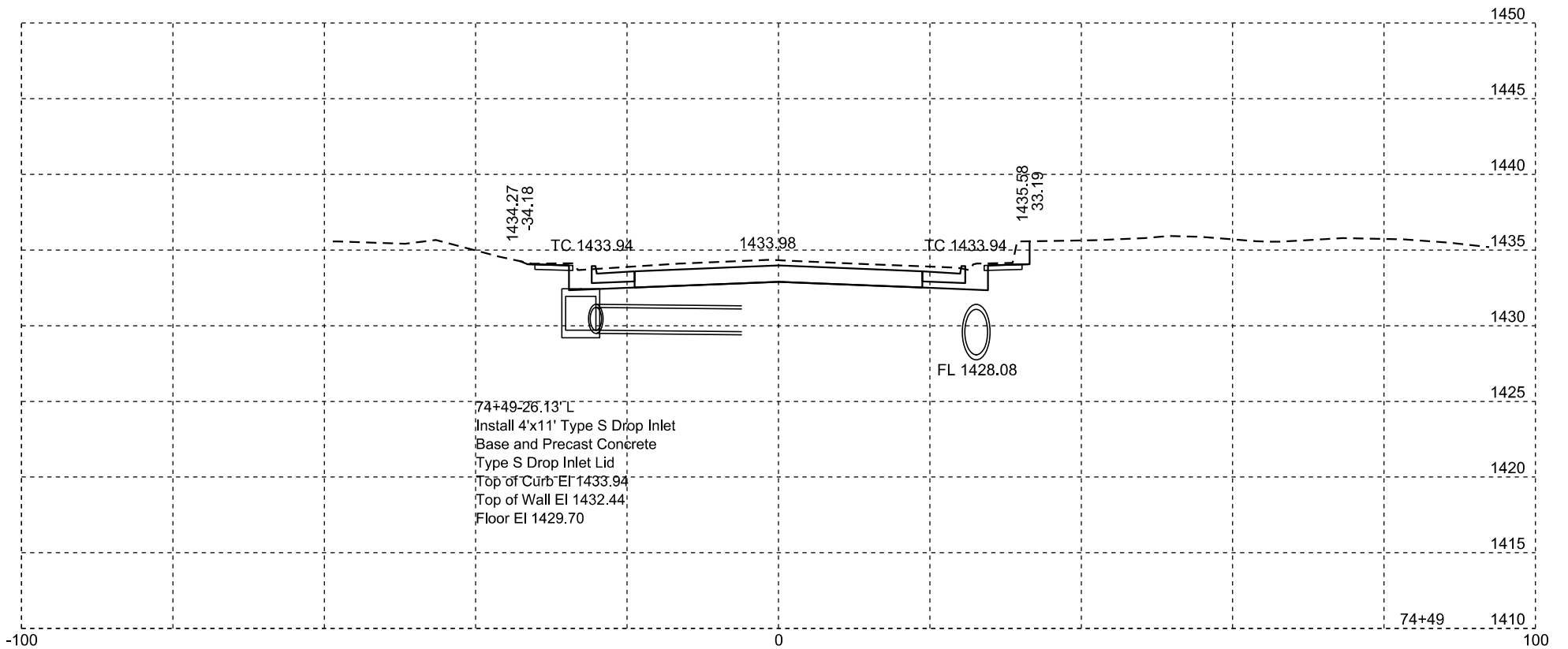
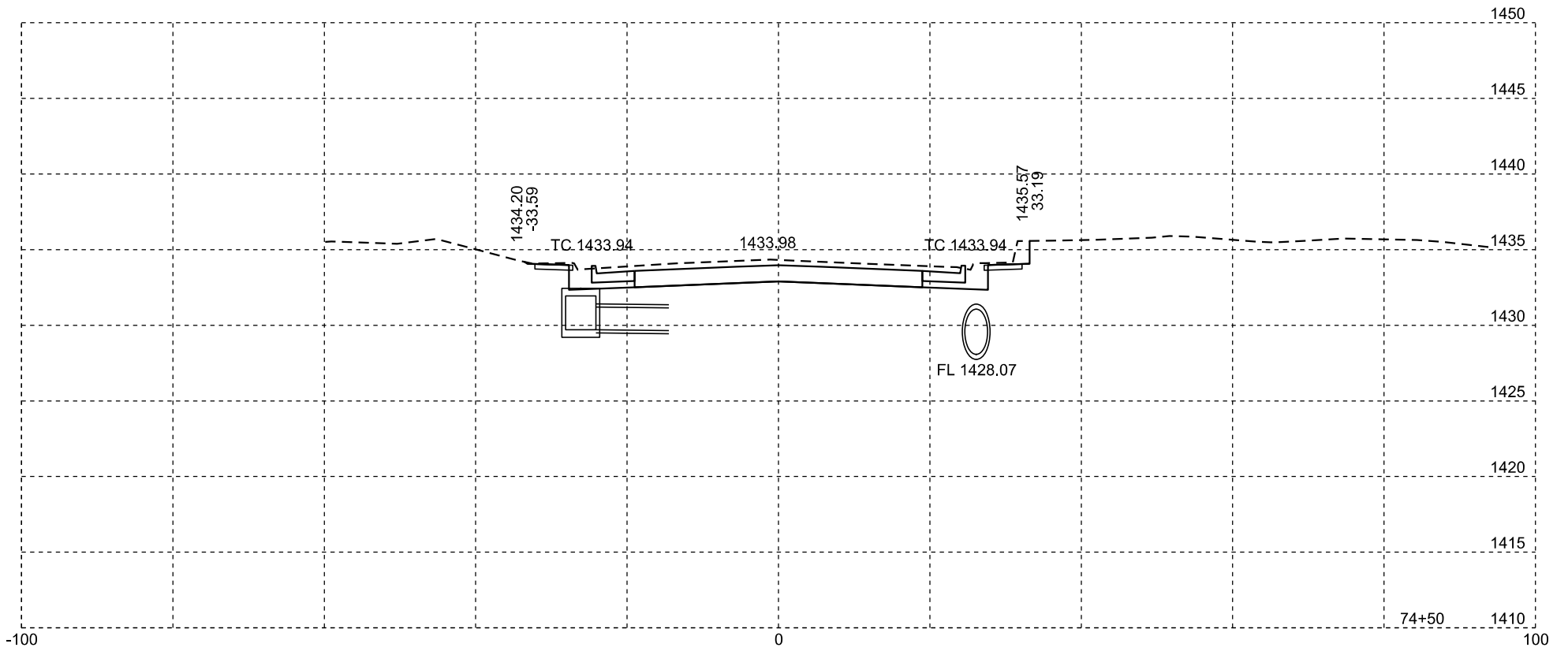
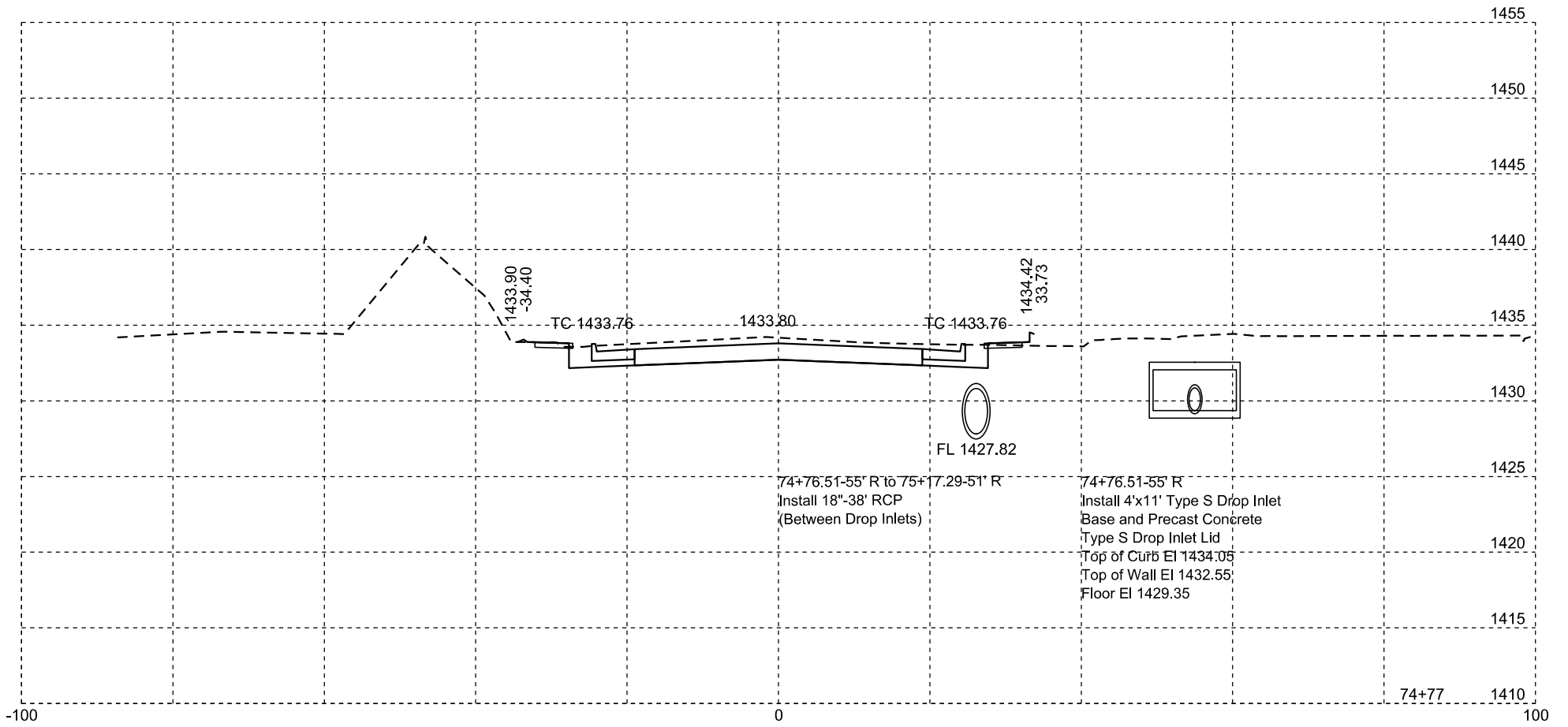
Plotting Date: 09/06/2024

| | | | |
|-----------------------------|-------------------|--------------|-----------------|
| STATE OF SOUTH DAKOTA | PROJECT | SHEET NO. | TOTAL SHEETS |
| | NH-CR 0046(69)288 | X56 | X139 |



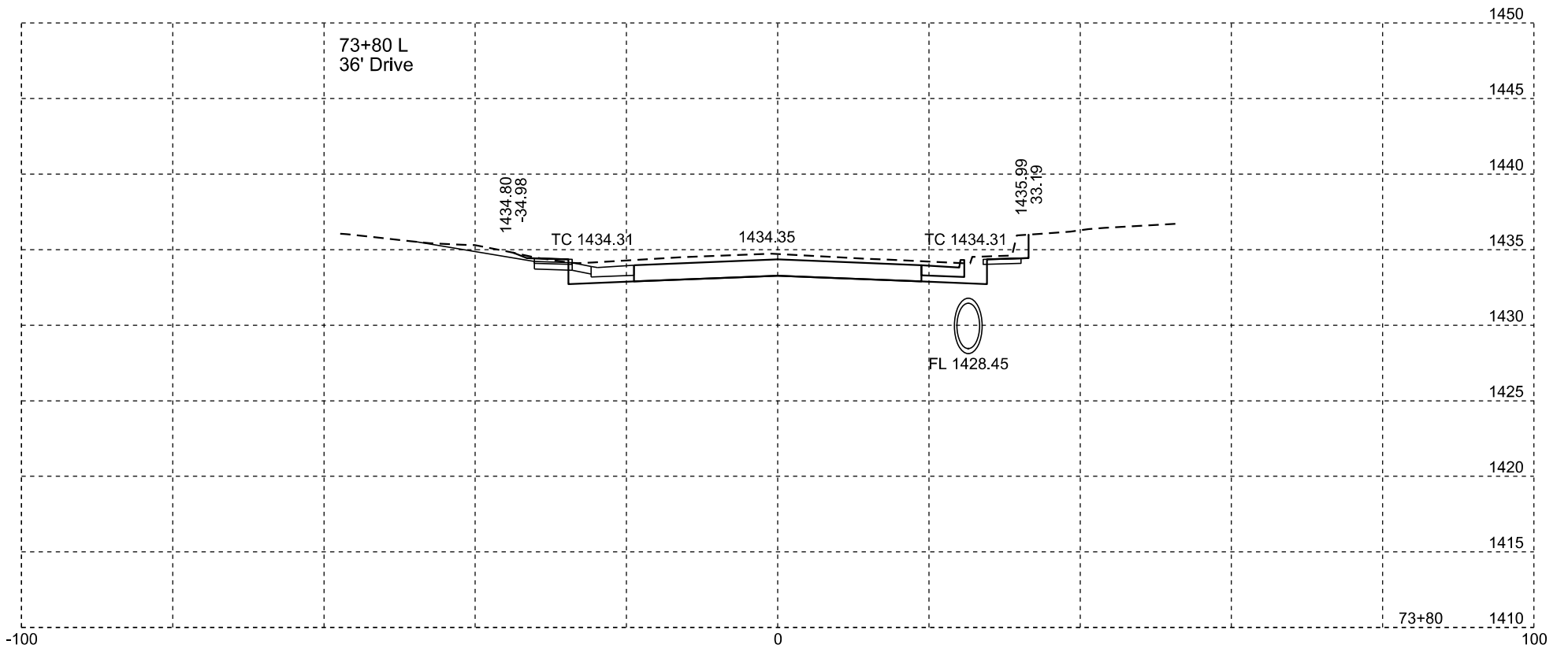
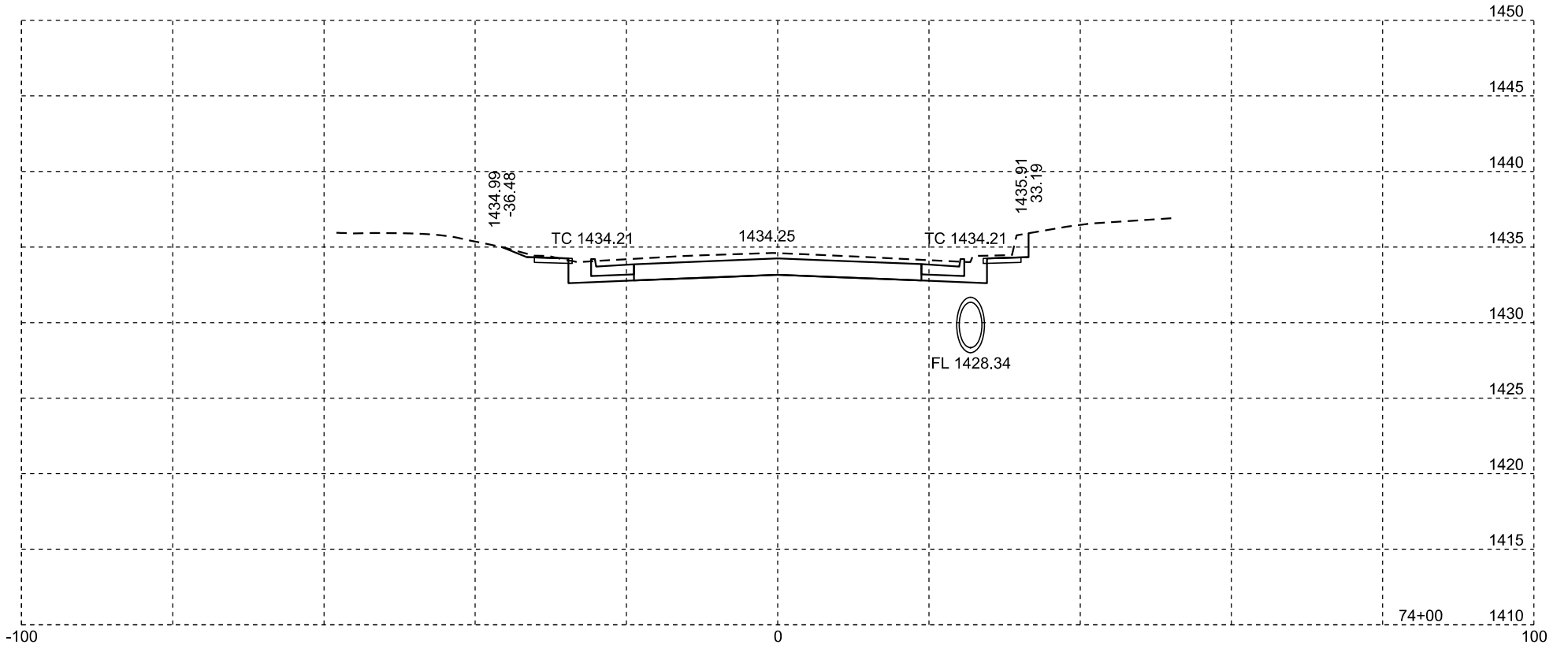
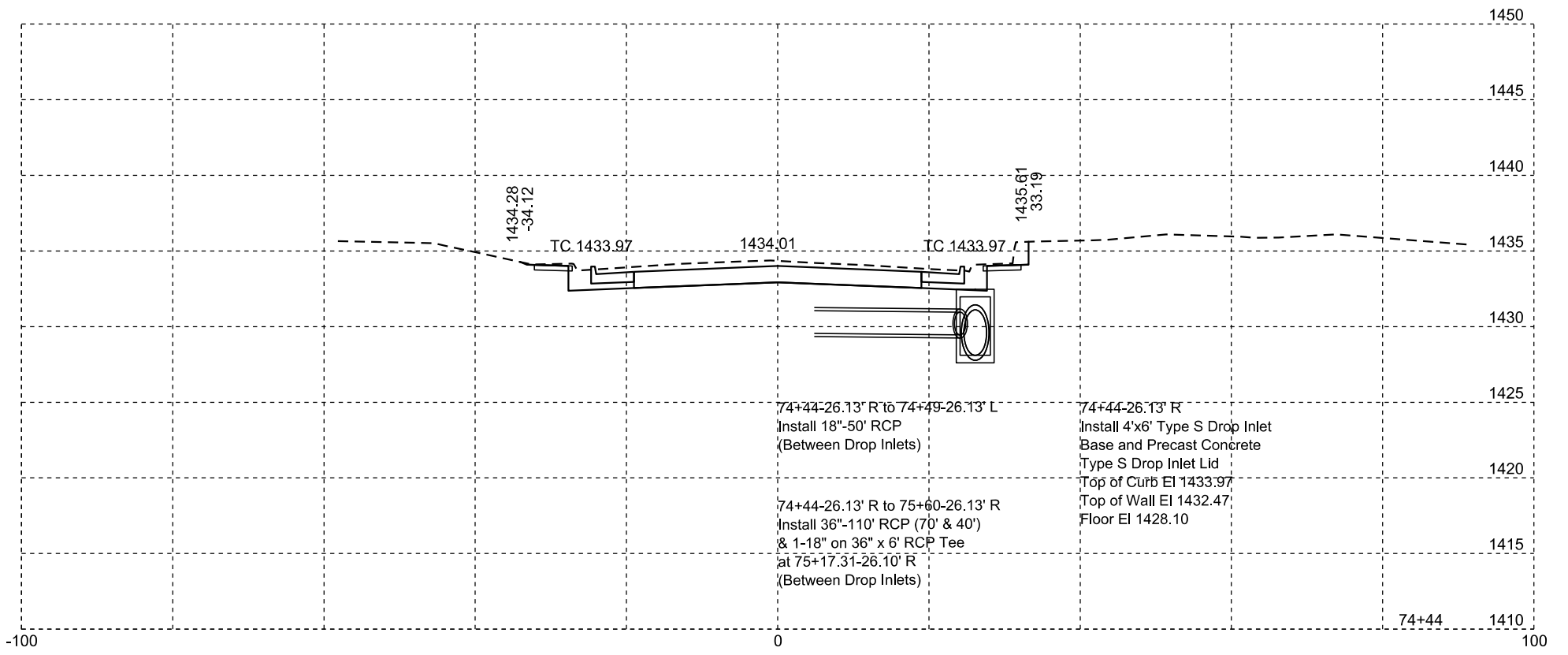
Plotting Date: 09/06/2024

| | | | |
|-----------------------------|-------------------|--------------|-----------------|
| STATE OF SOUTH DAKOTA | PROJECT | SHEET NO. | TOTAL SHEETS |
| | NH-CR 0046(69)288 | X57 | X139 |



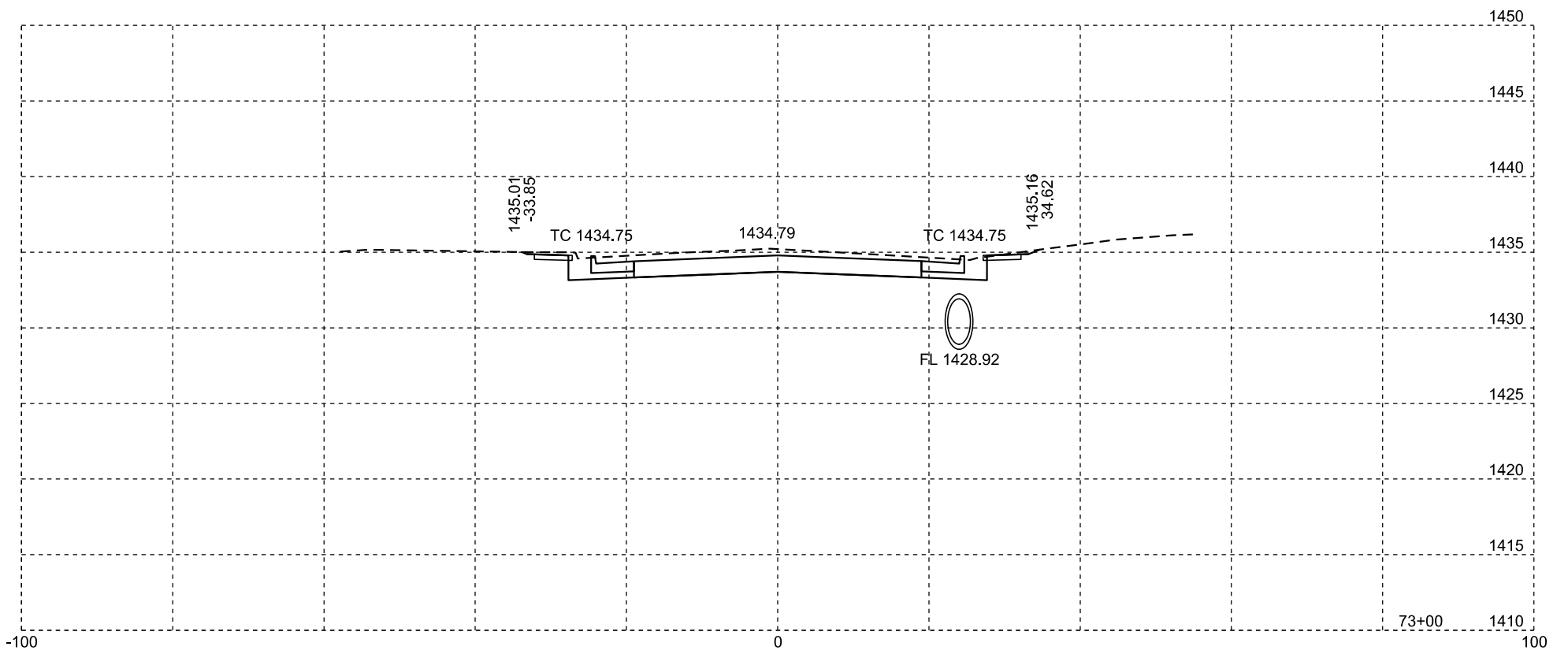
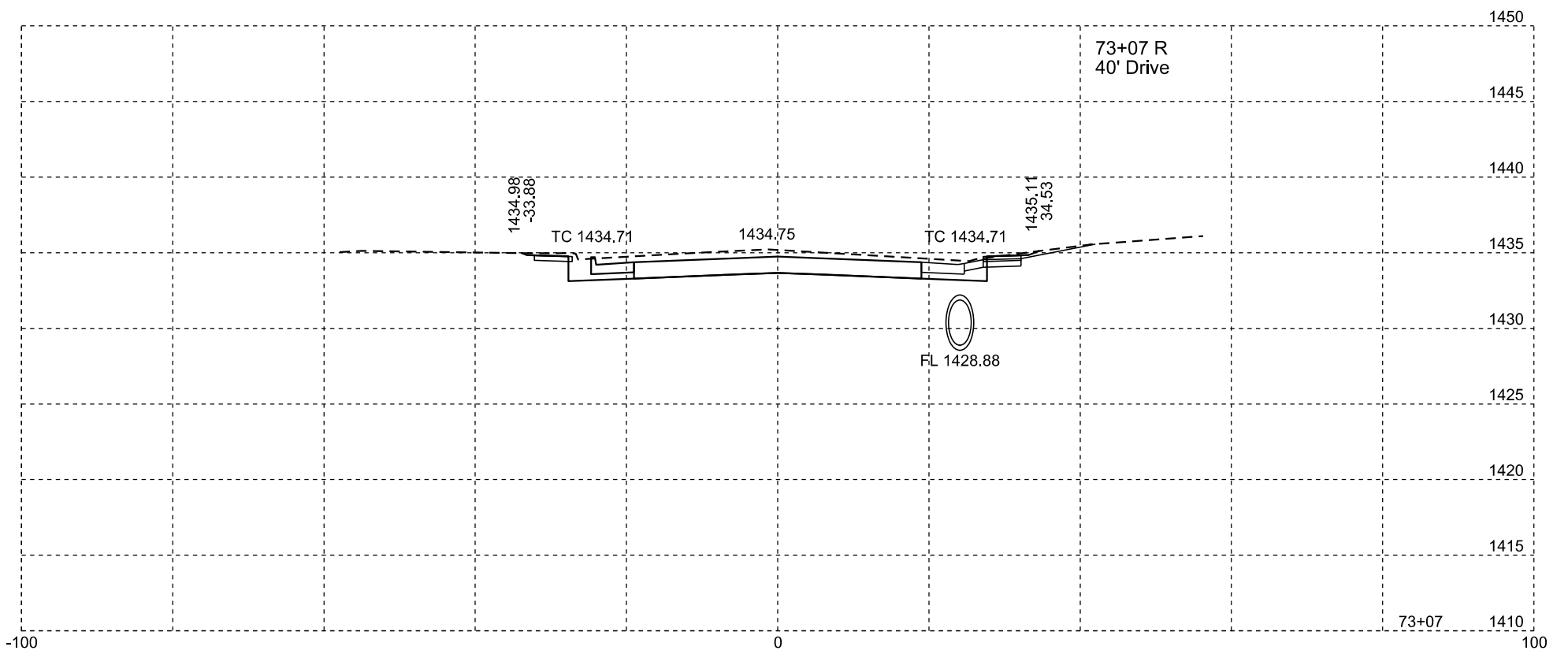
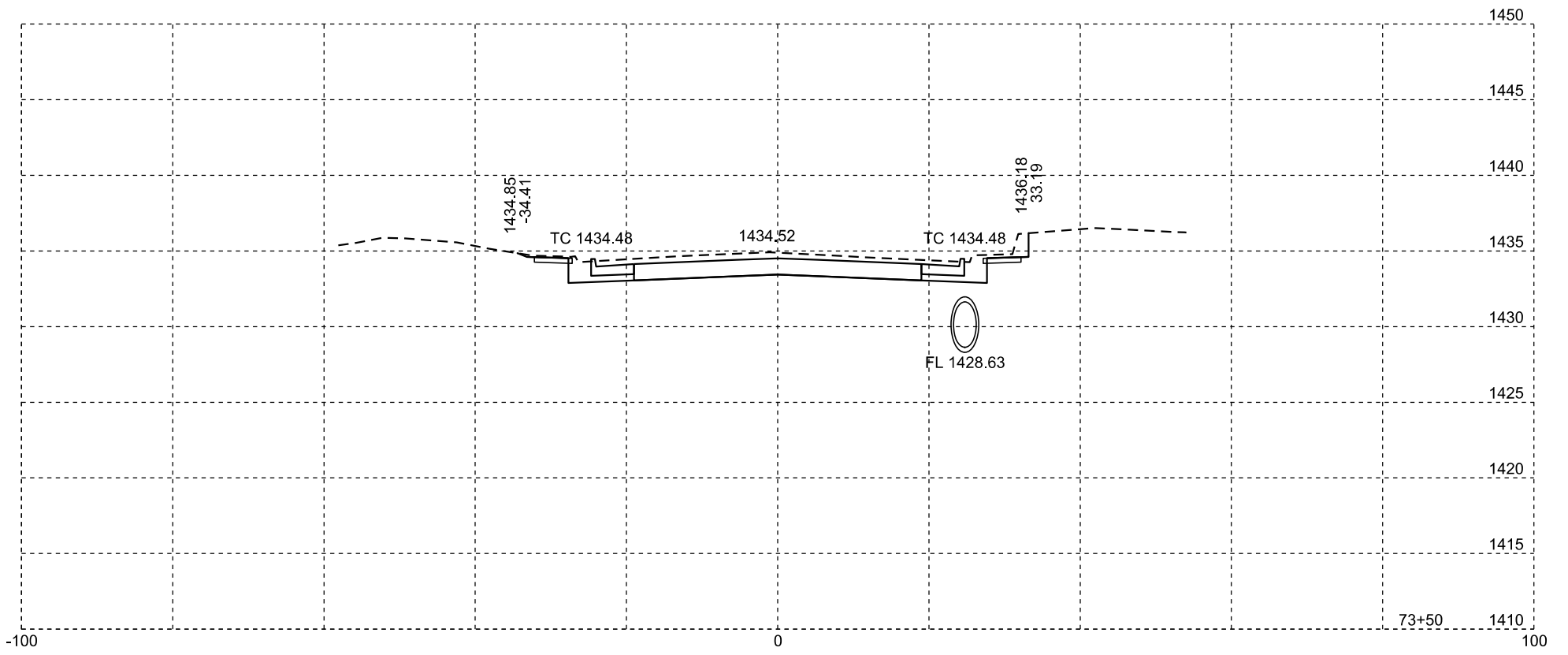
| STATE OF SOUTH DAKOTA | PROJECT | SHEET NO. | TOTAL SHEETS |
|-----------------------|-------------------|-----------|--------------|
| | NH-CR 0046(69)288 | X58 | X139 |

Plotting Date: 09/06/2024



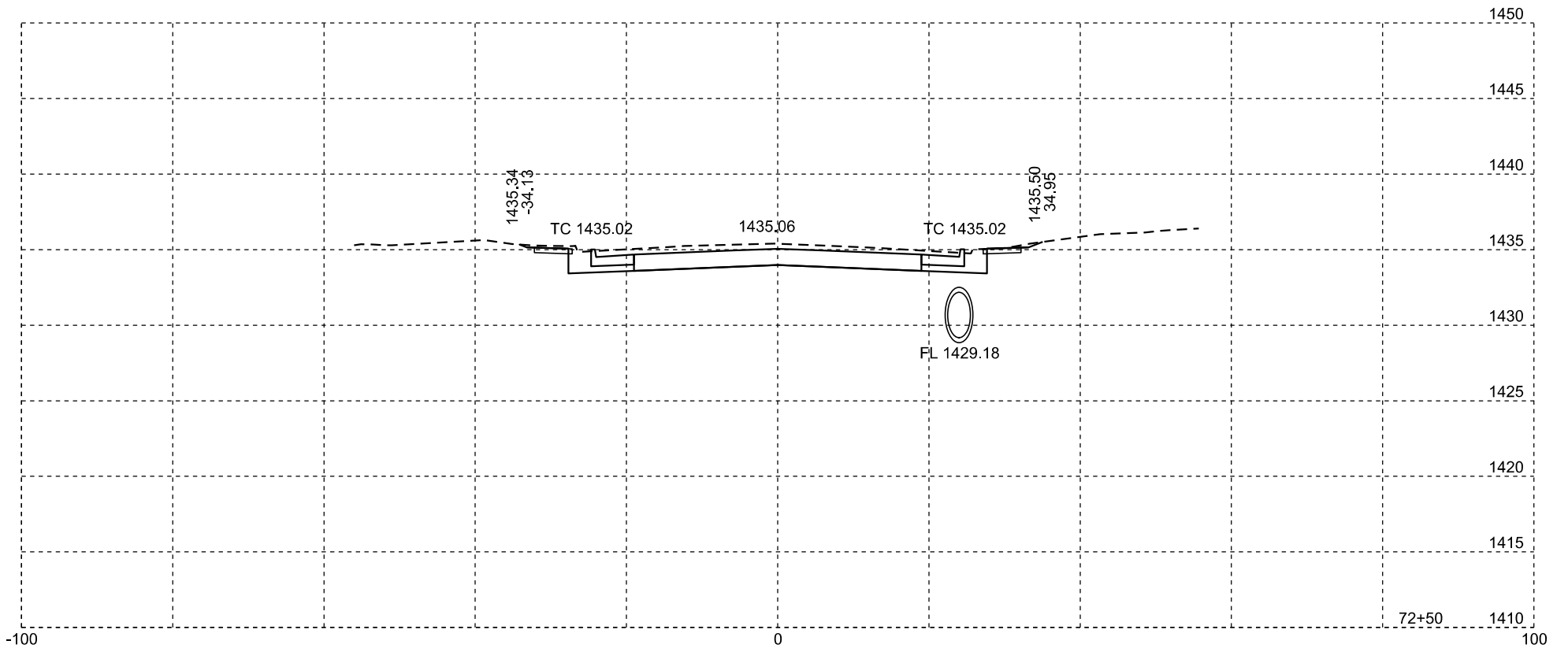
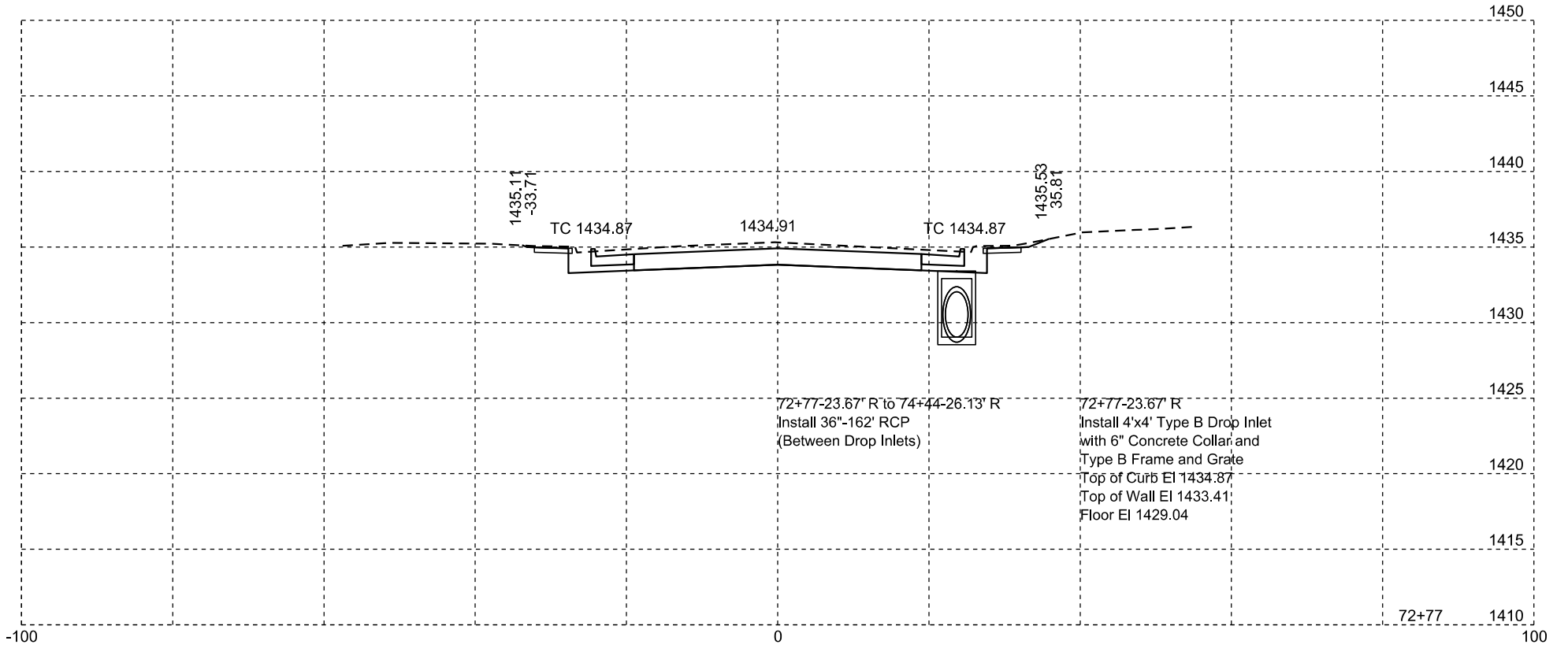
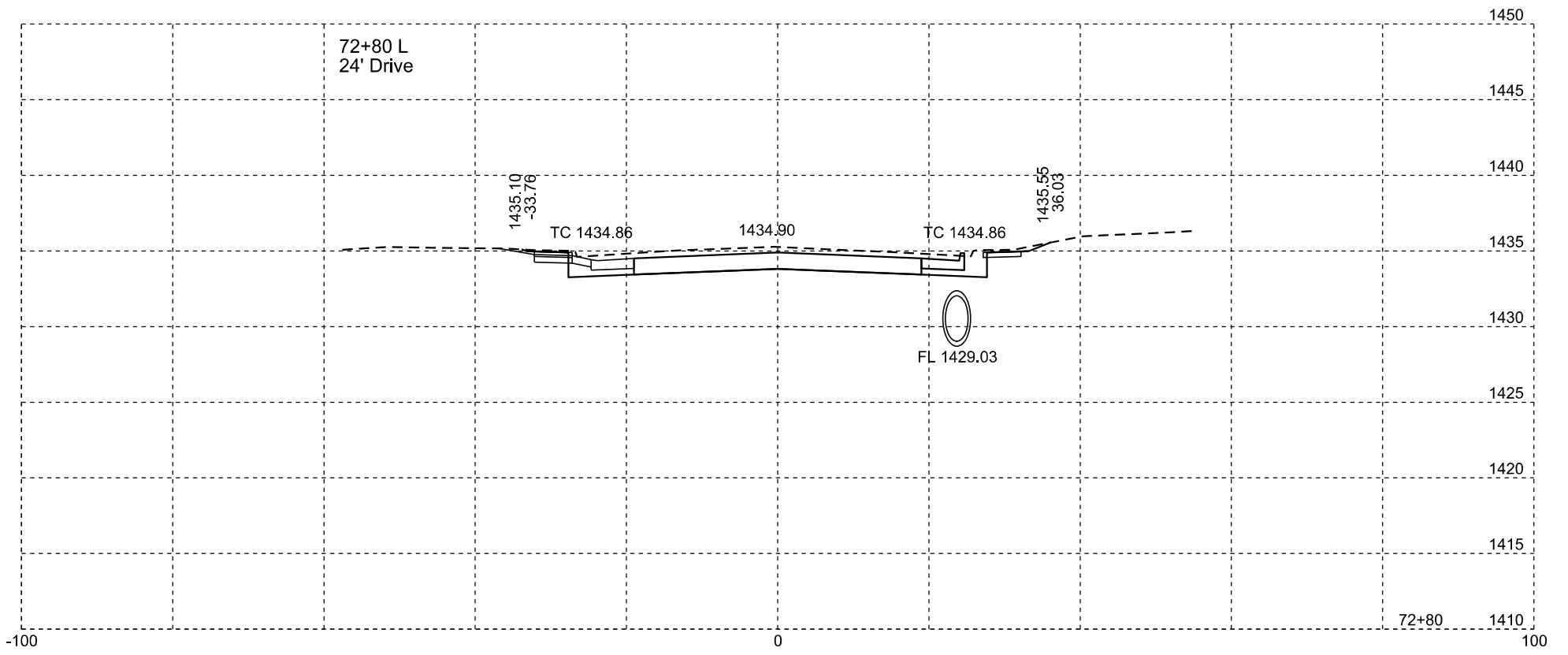
Plotting Date: 09/06/2024

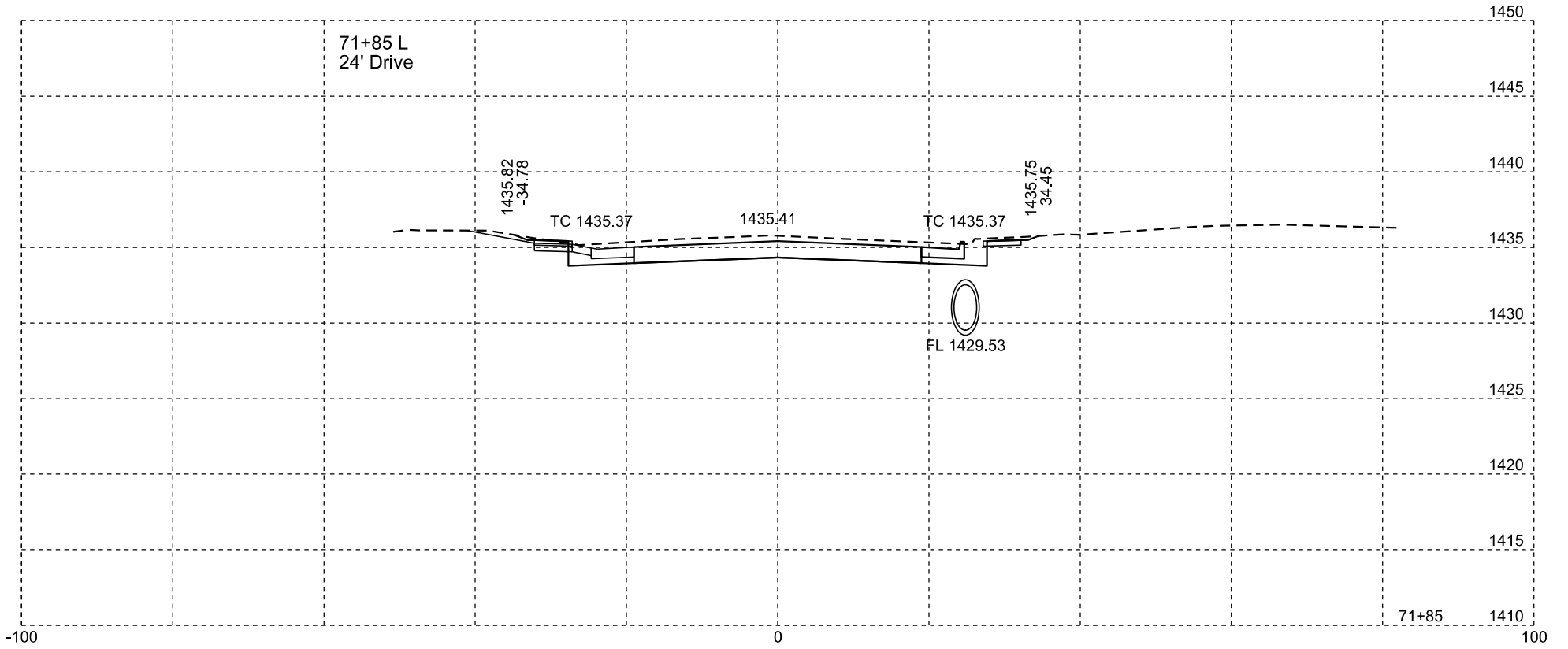
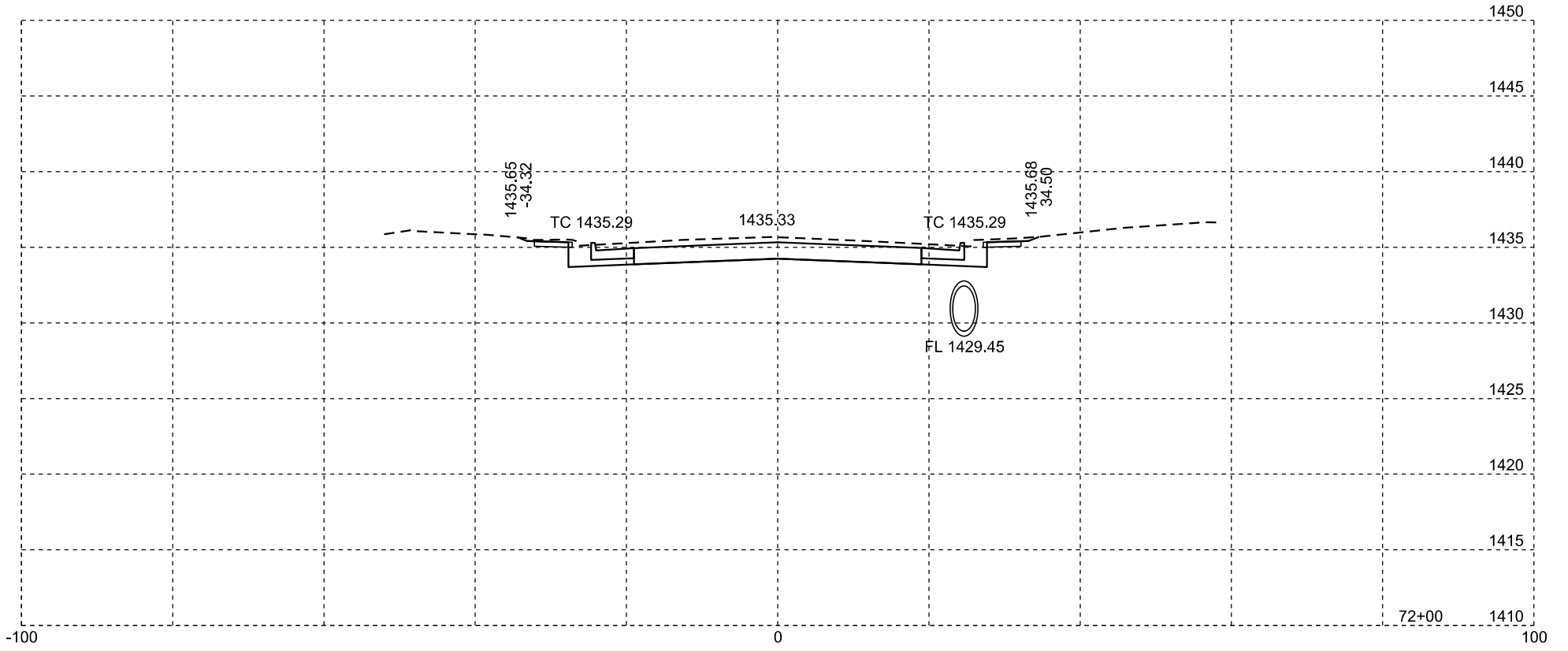
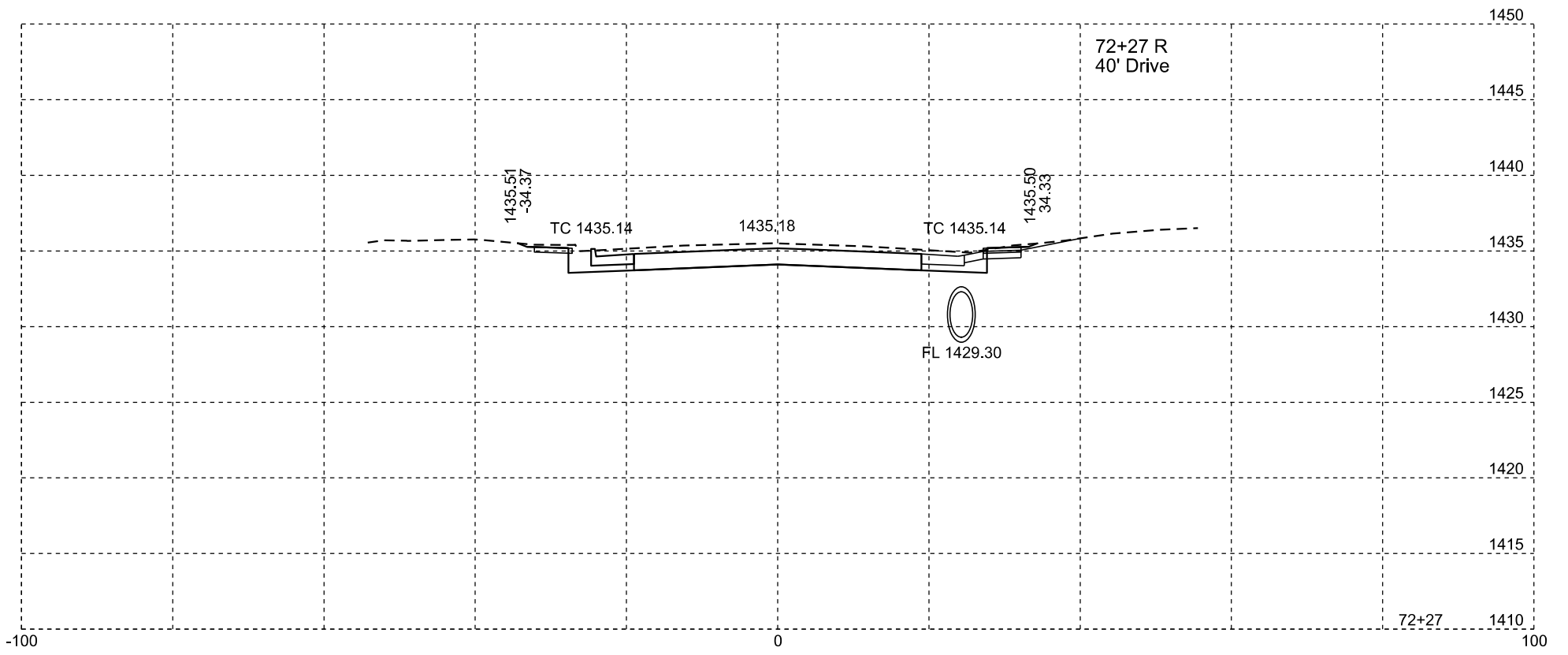
| | | | |
|-----------------------------|-------------------|--------------|-----------------|
| STATE OF SOUTH DAKOTA | PROJECT | SHEET NO. | TOTAL SHEETS |
| | NH-CR 0046(69)288 | X59 | X139 |



Plotting Date: 09/06/2024

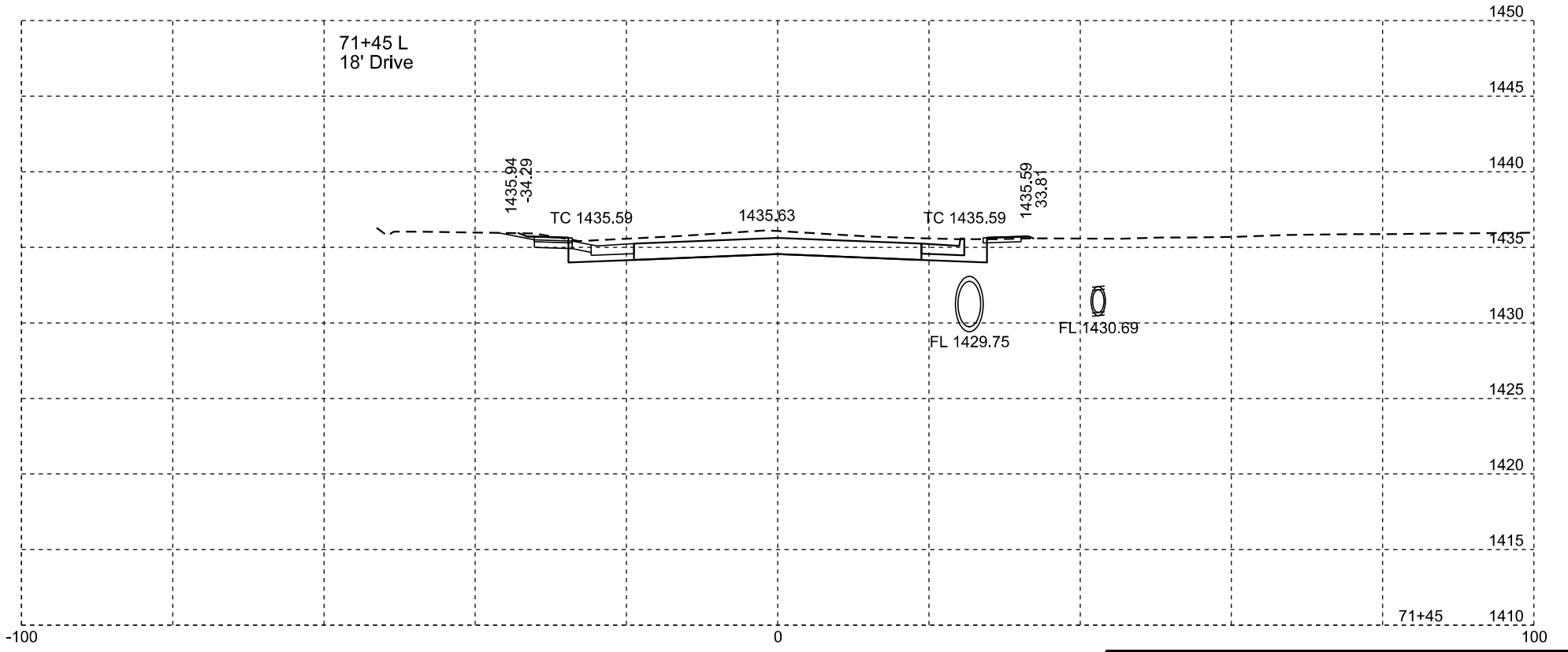
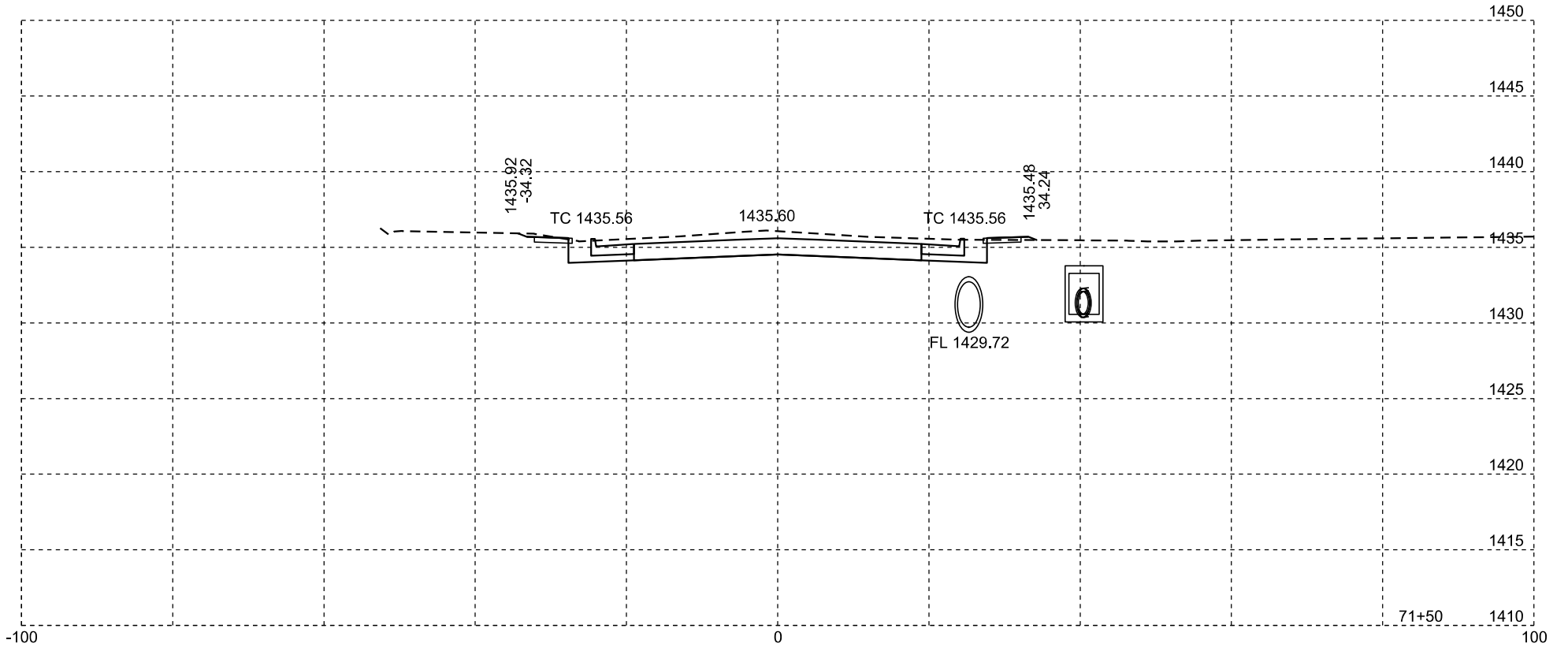
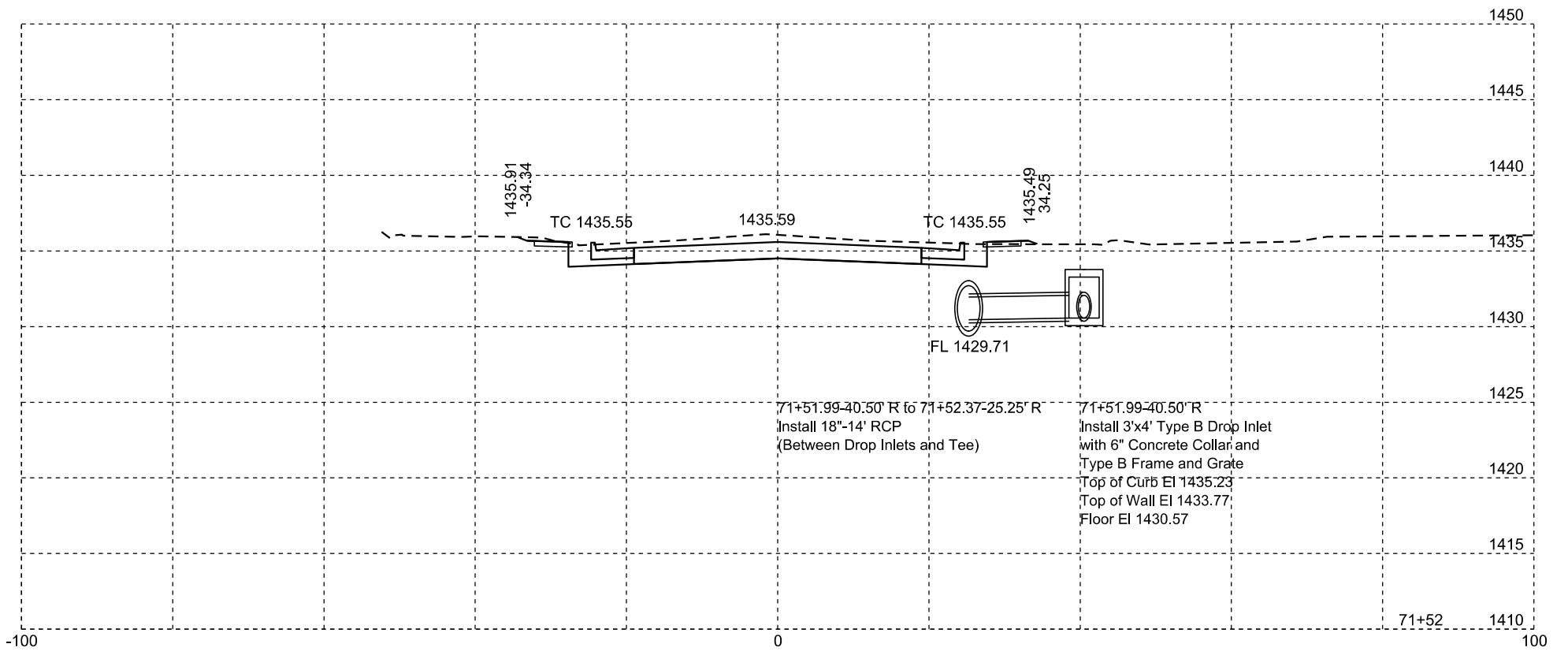
| | | | |
|-----------------------------|-------------------|--------------|-----------------|
| STATE OF SOUTH DAKOTA | PROJECT | SHEET NO. | TOTAL SHEETS |
| | NH-CR 0046(69)288 | X60 | X139 |





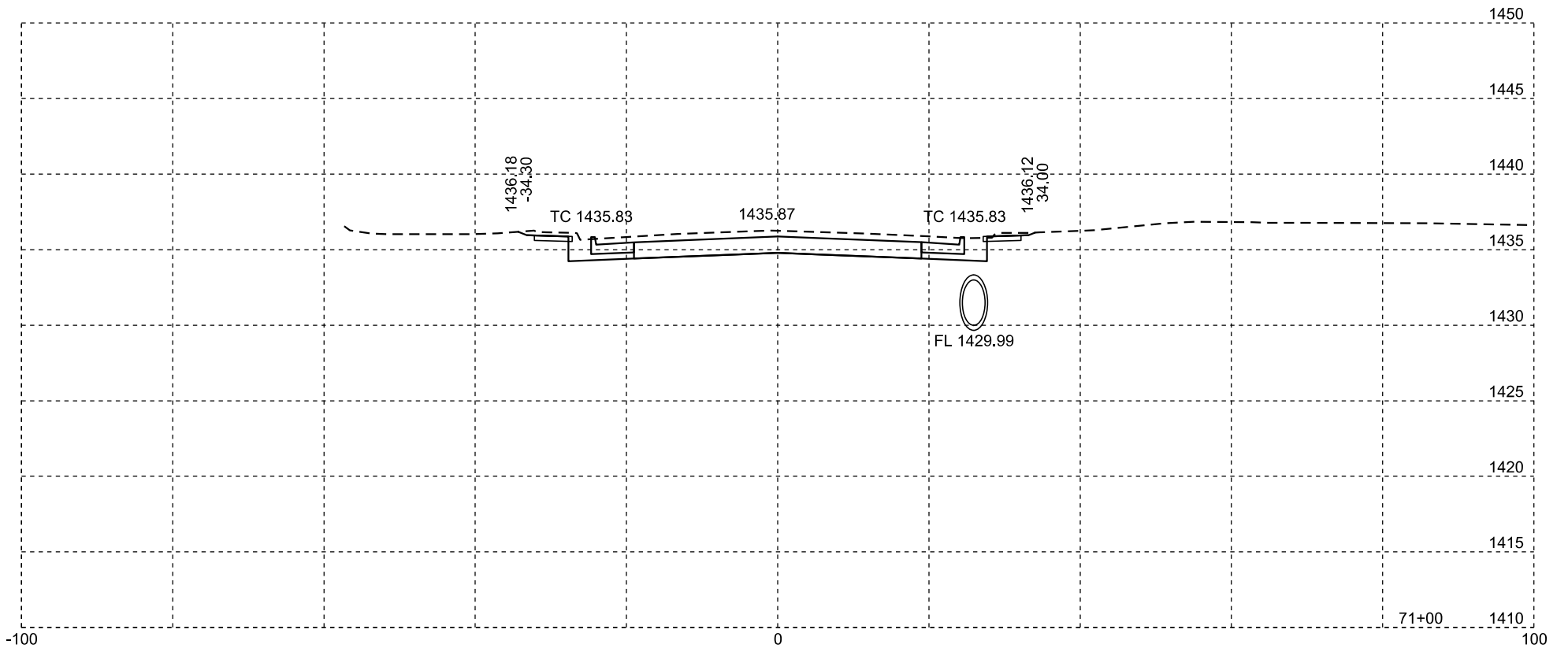
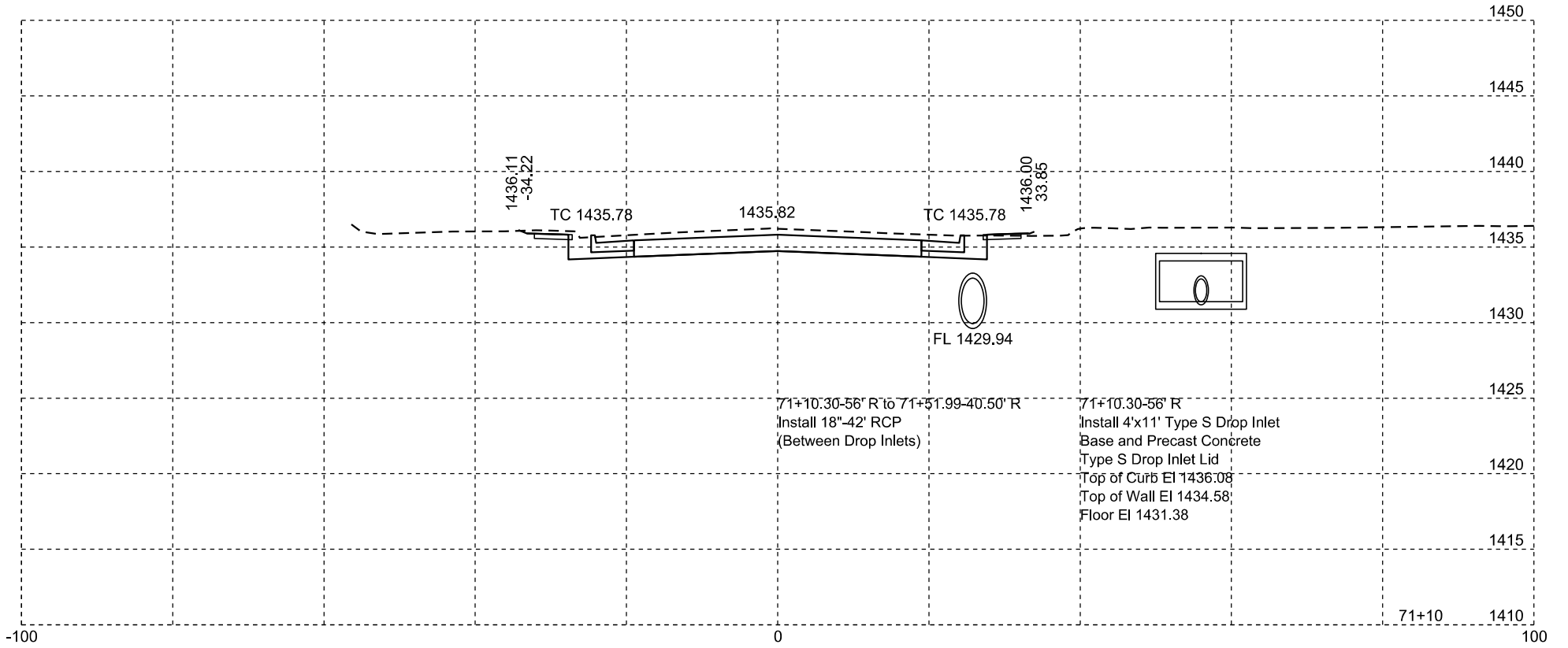
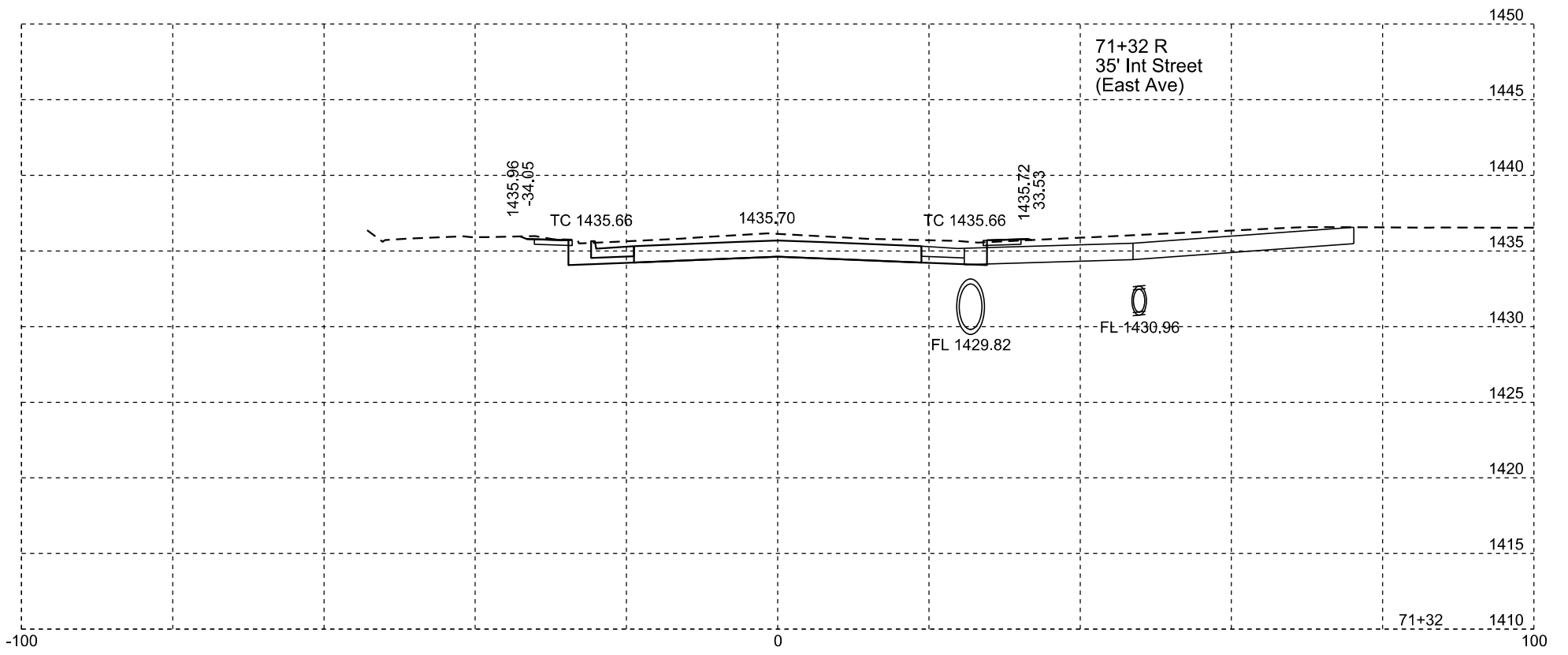
Plotting Date: 09/06/2024

| | | | |
|-----------------------------|-------------------|--------------|-----------------|
| STATE OF SOUTH DAKOTA | PROJECT | SHEET NO. | TOTAL SHEETS |
| | NH-CR 0046(69)288 | X62 | X139 |



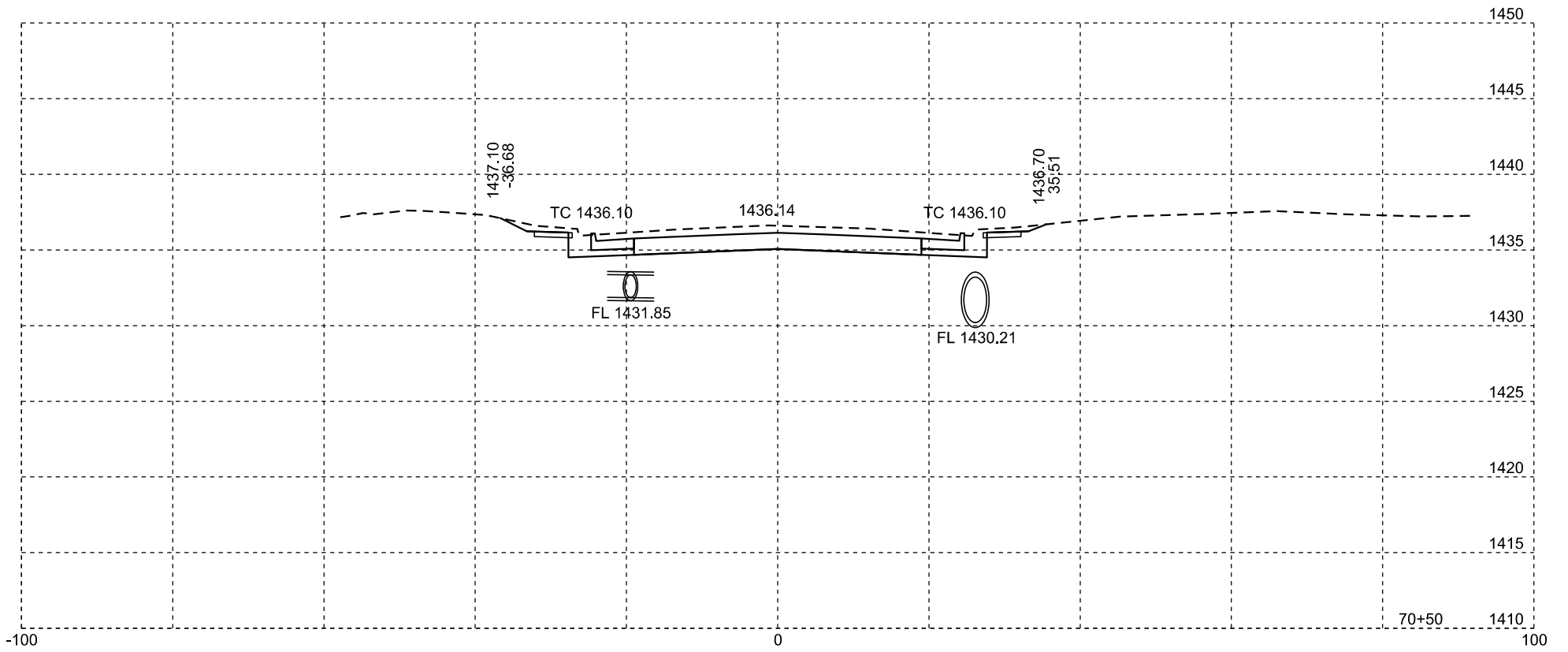
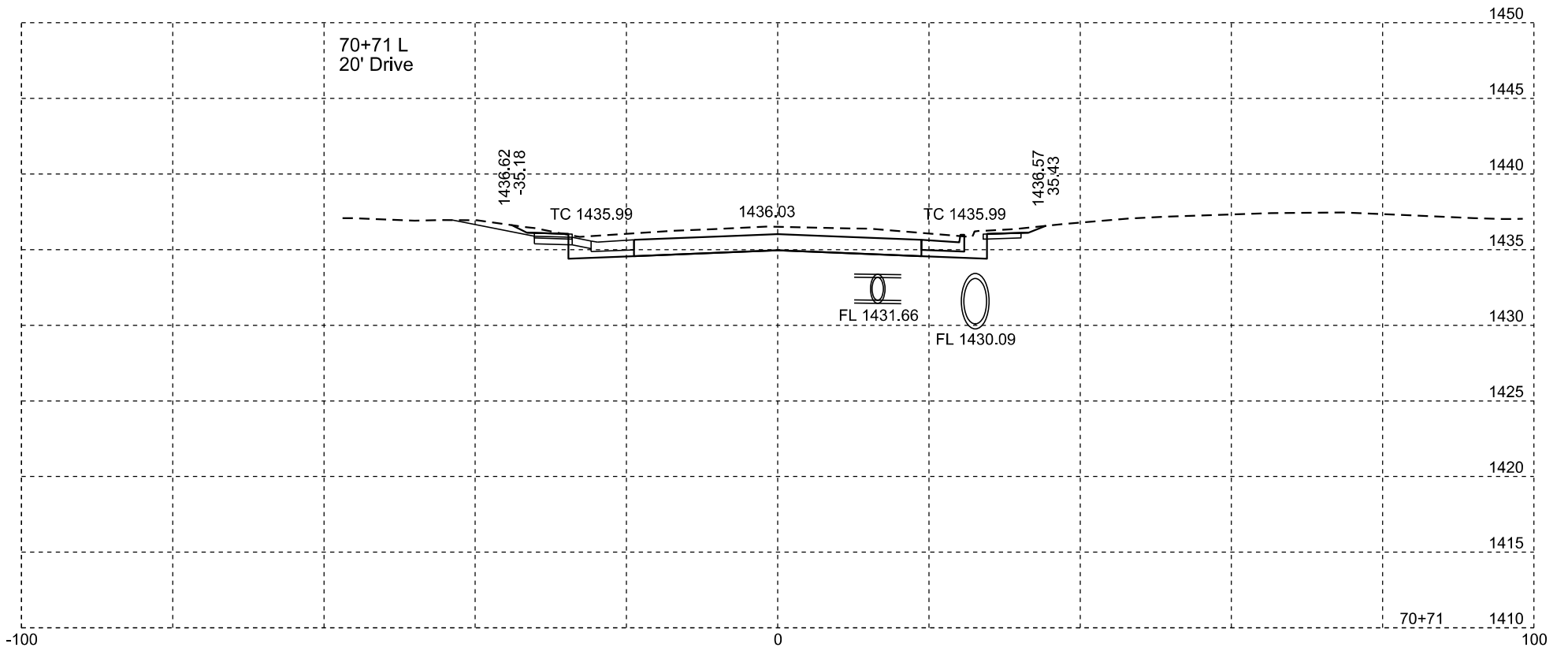
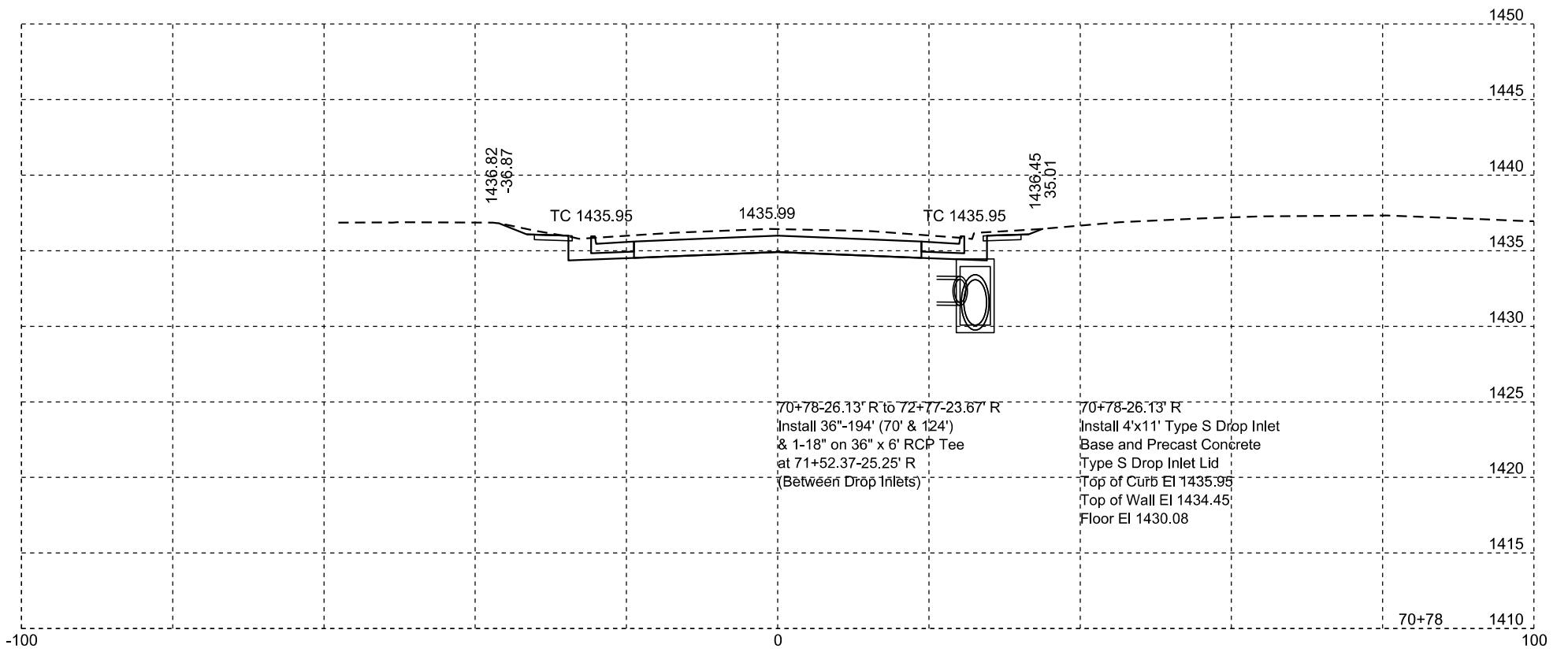
Plotting Date: 09/06/2024

| | | | |
|-----------------------------|-------------------|--------------|-----------------|
| STATE OF SOUTH DAKOTA | PROJECT | SHEET NO. | TOTAL SHEETS |
| | NH-CR 0046(69)288 | X63 | X139 |



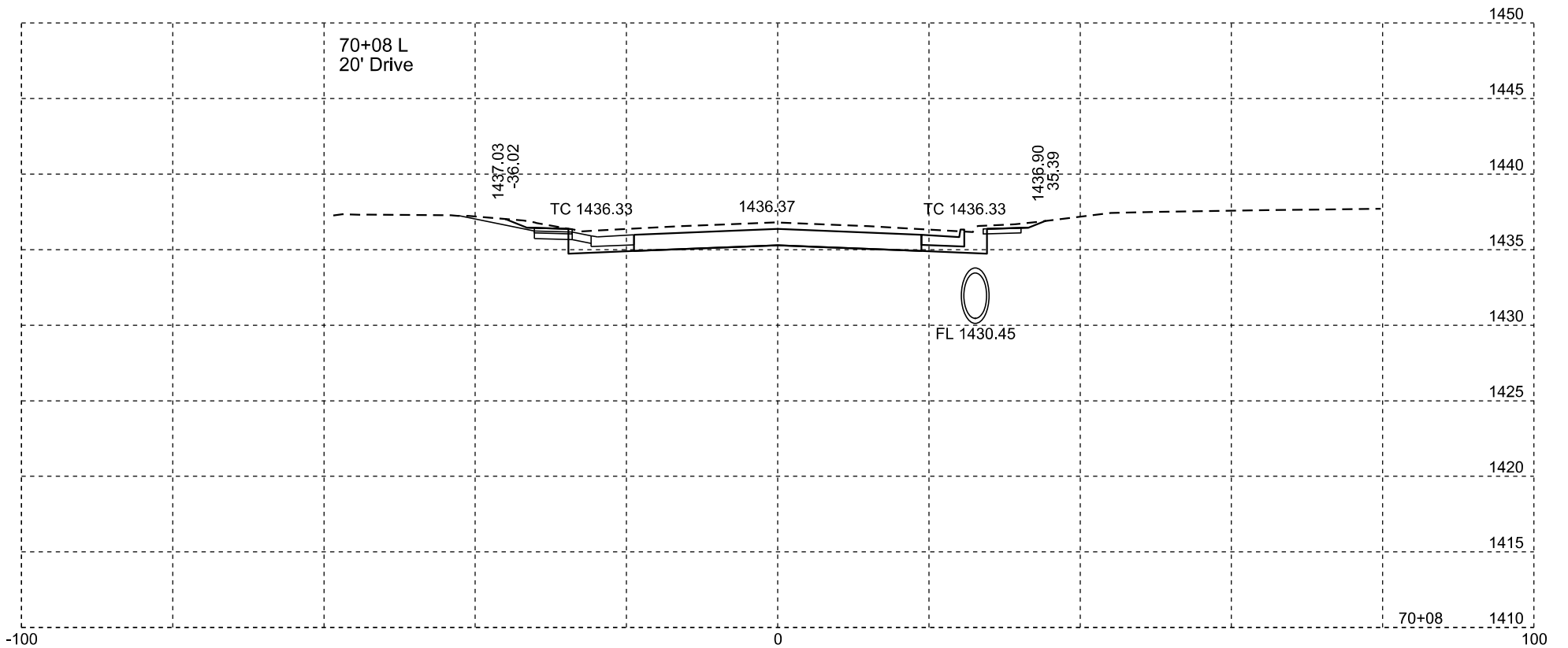
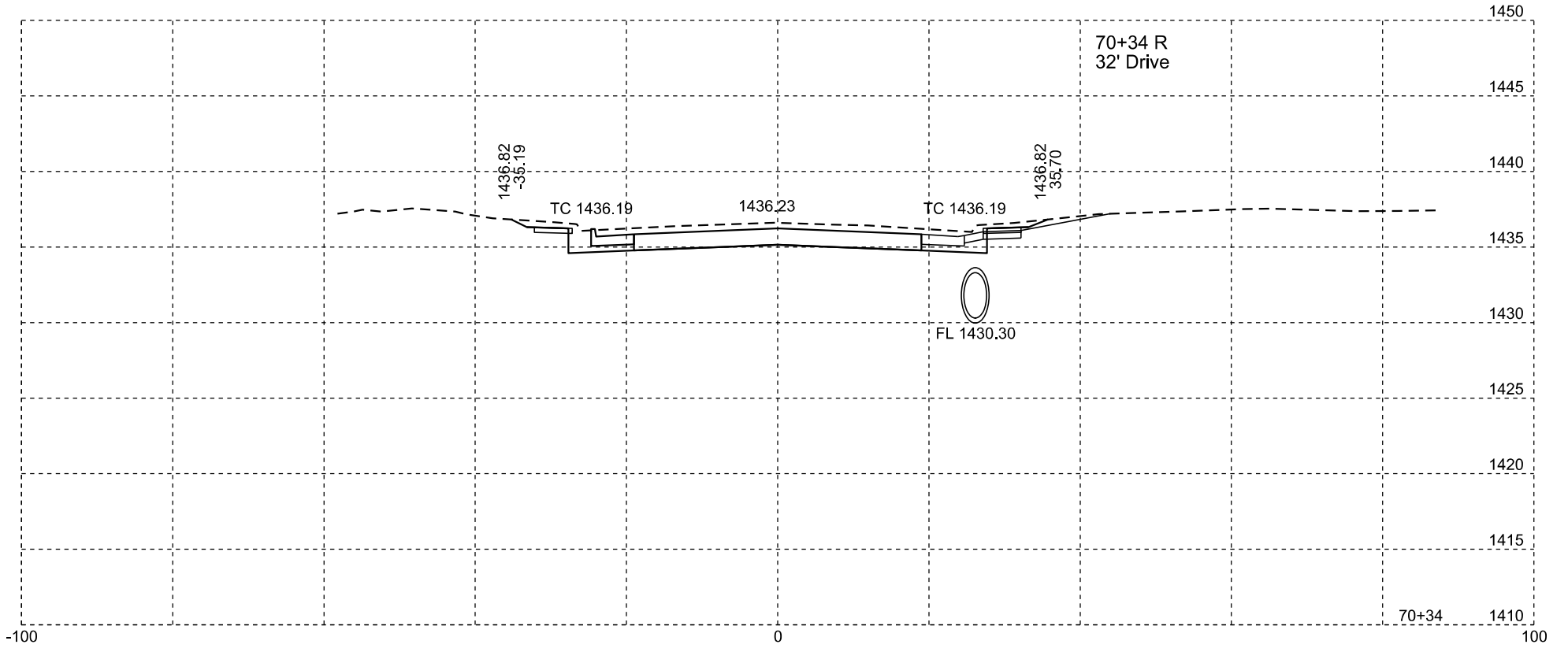
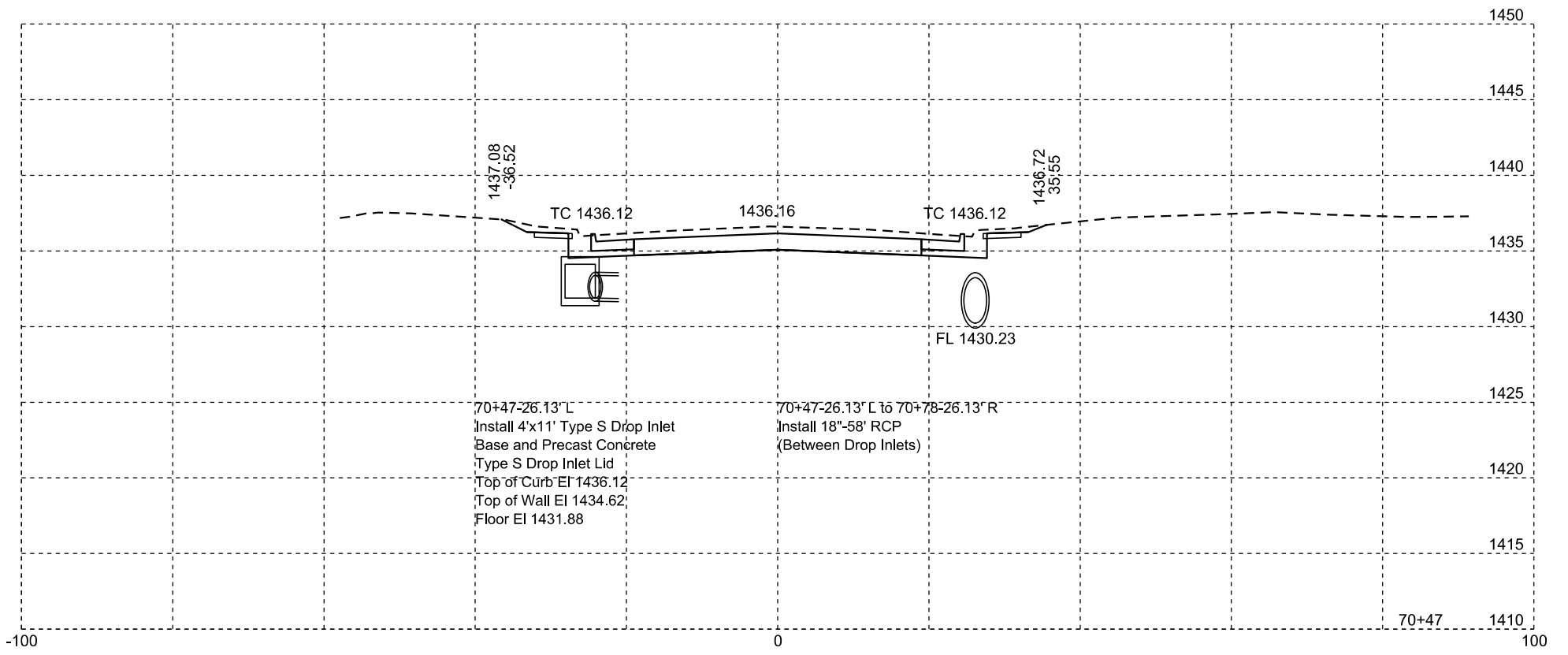
Plotting Date: 09/06/2024

| | | | |
|-----------------------------|-------------------|--------------|-----------------|
| STATE OF SOUTH DAKOTA | PROJECT | SHEET NO. | TOTAL SHEETS |
| | NH-CR 0046(69)288 | X64 | X139 |



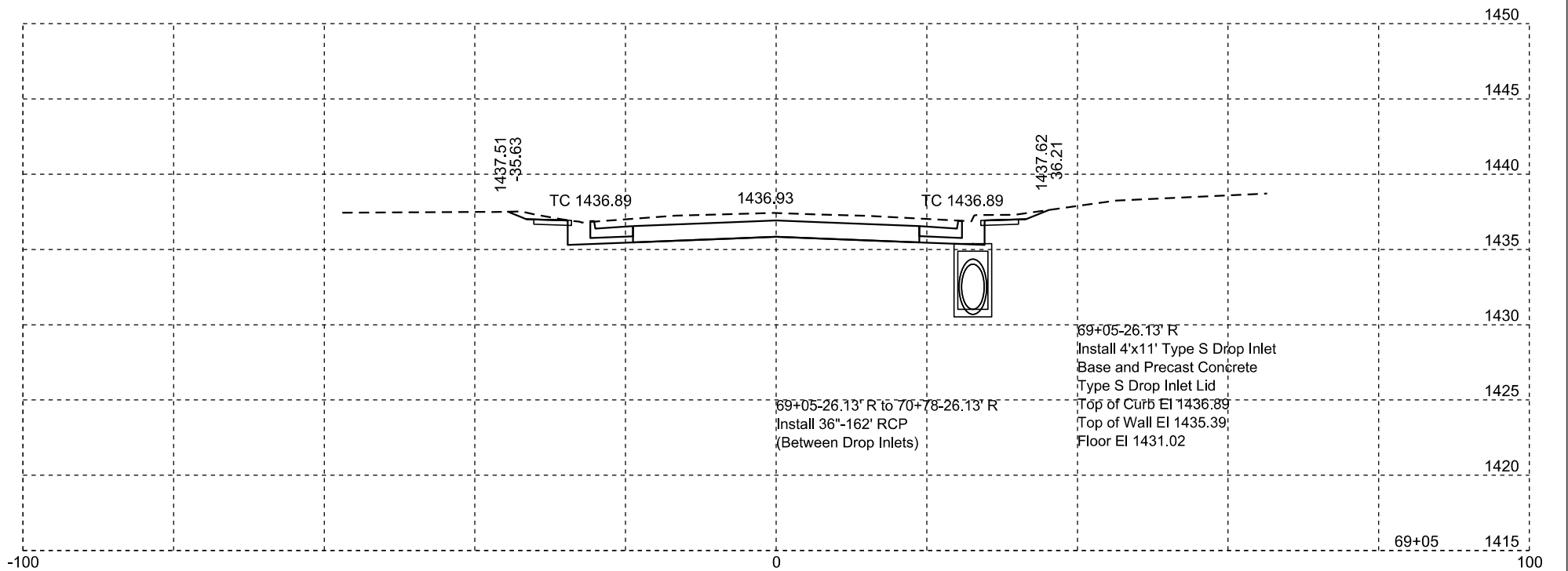
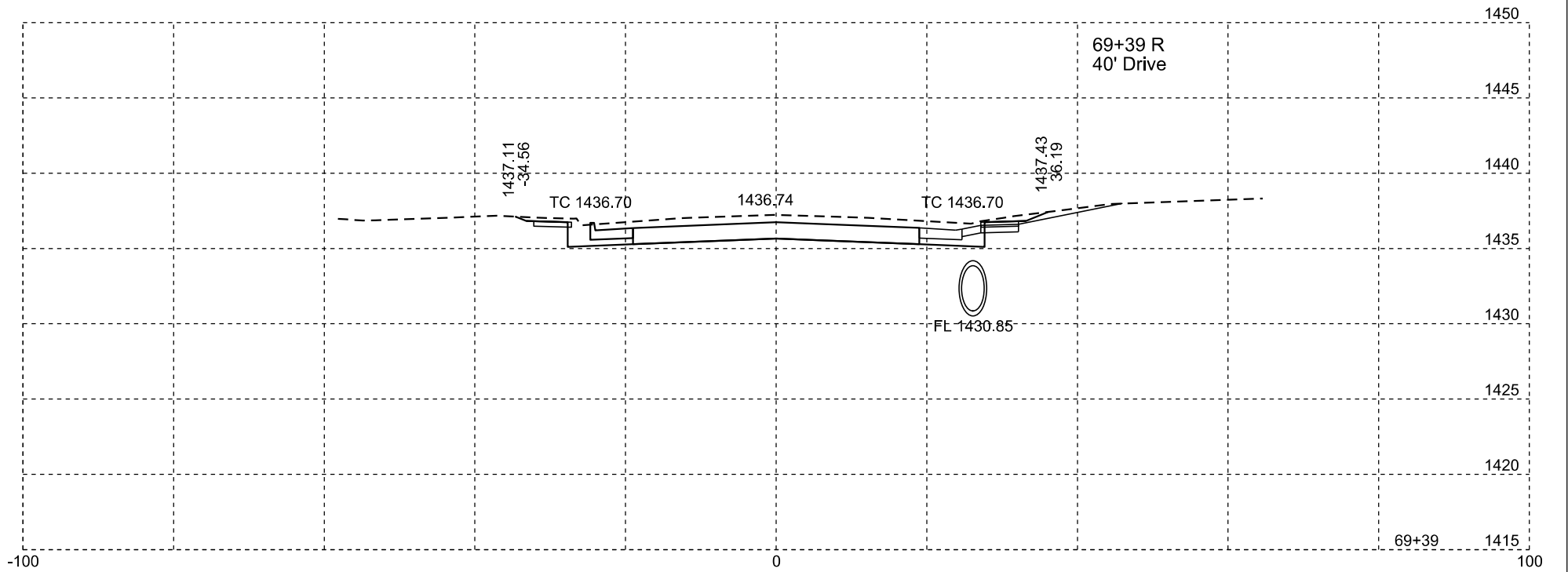
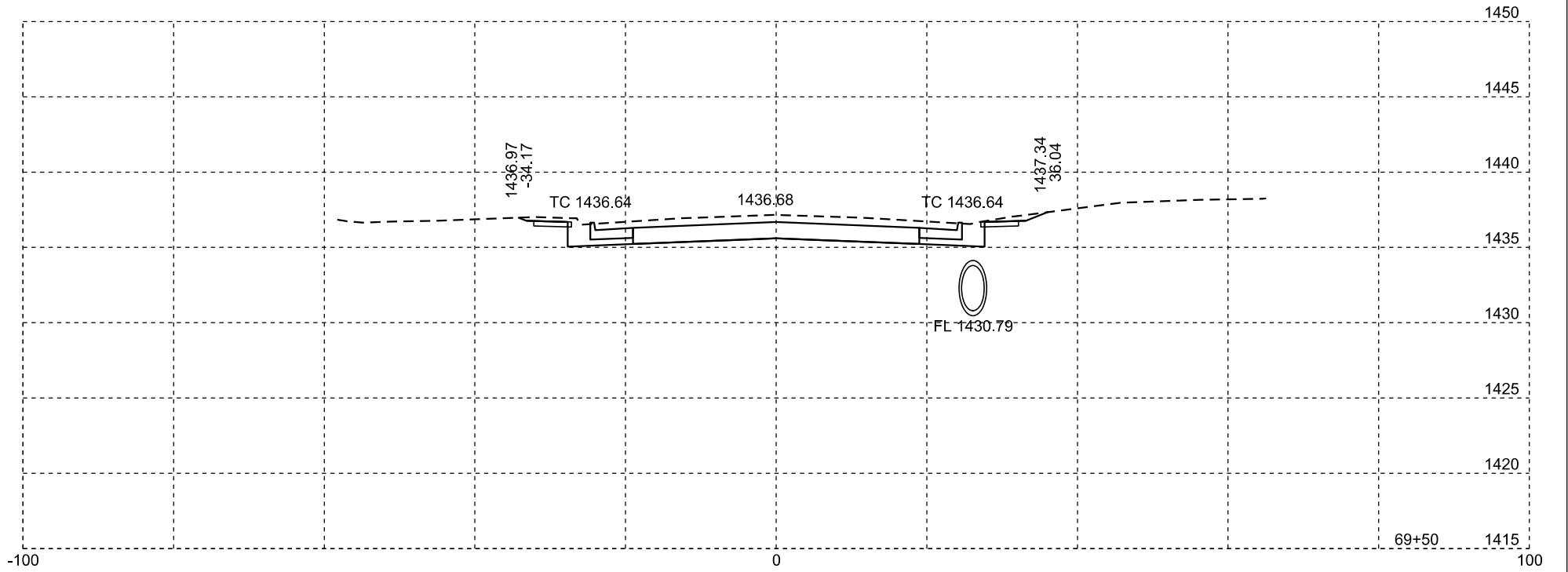
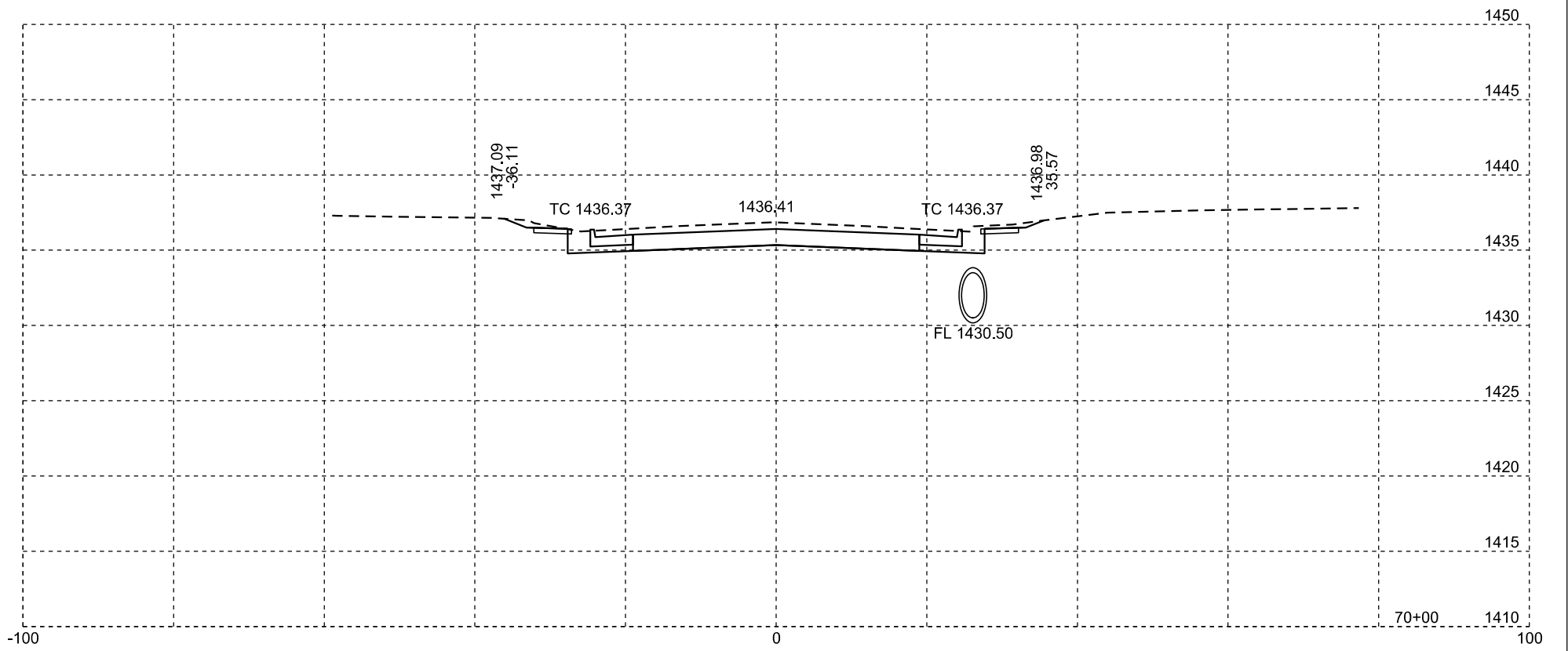
Plotting Date: 09/06/2024

| | | | |
|-----------------------------|-------------------|--------------|-----------------|
| STATE OF SOUTH DAKOTA | PROJECT | SHEET NO. | TOTAL SHEETS |
| | NH-CR 0046(69)288 | X65 | X139 |



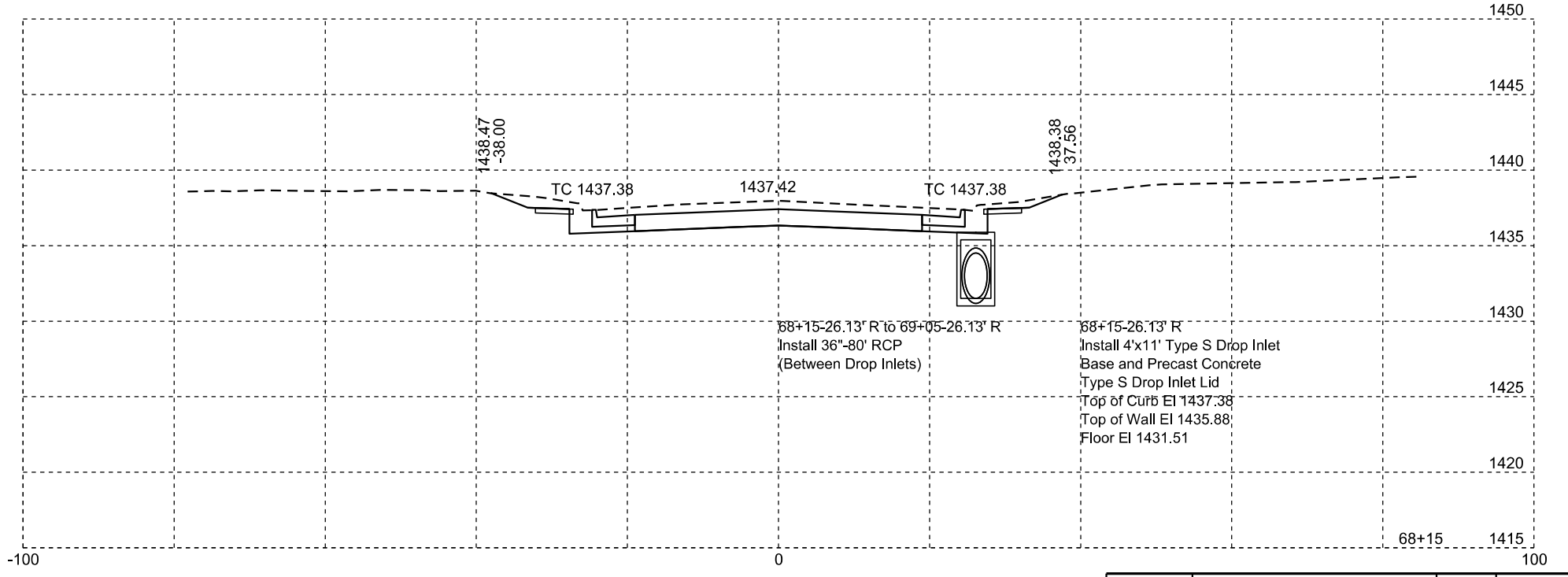
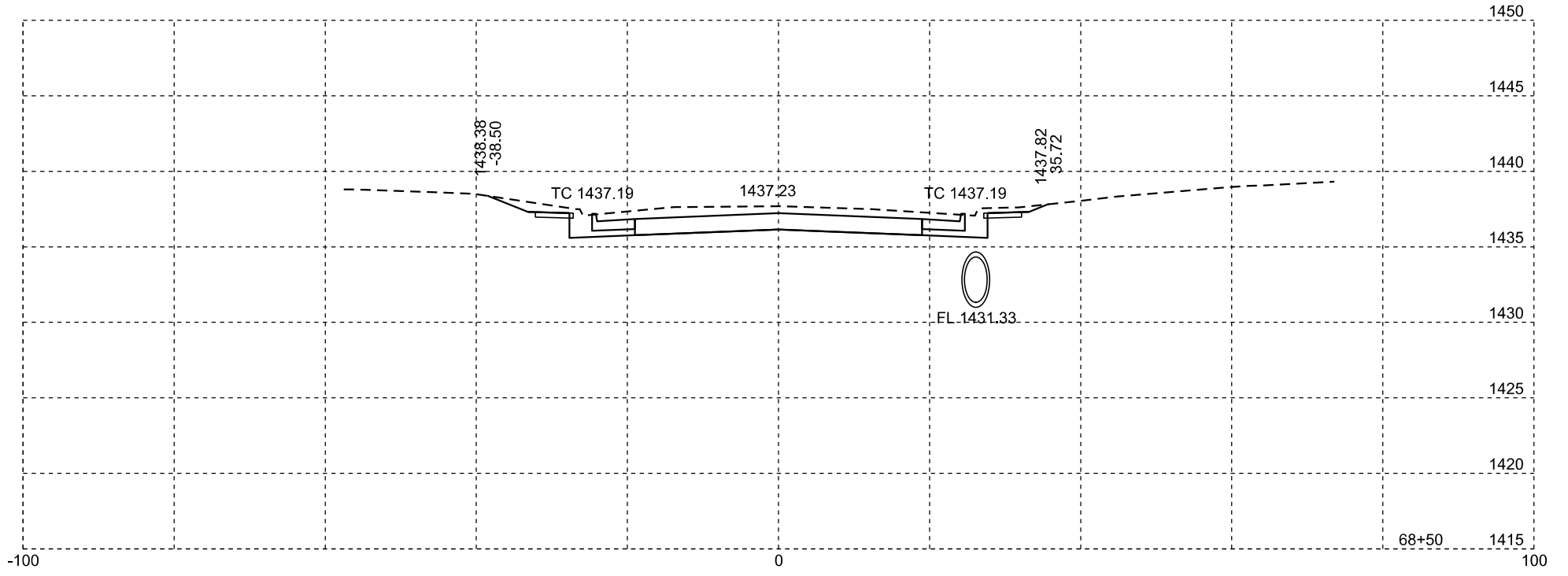
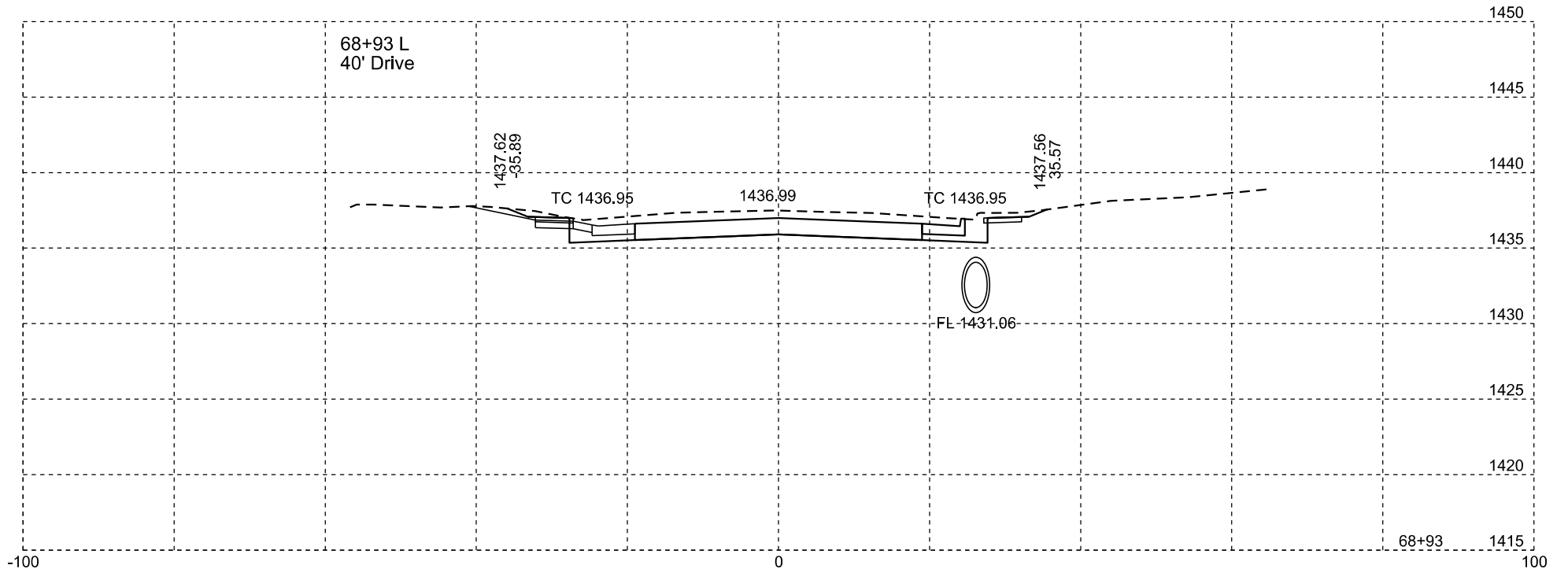
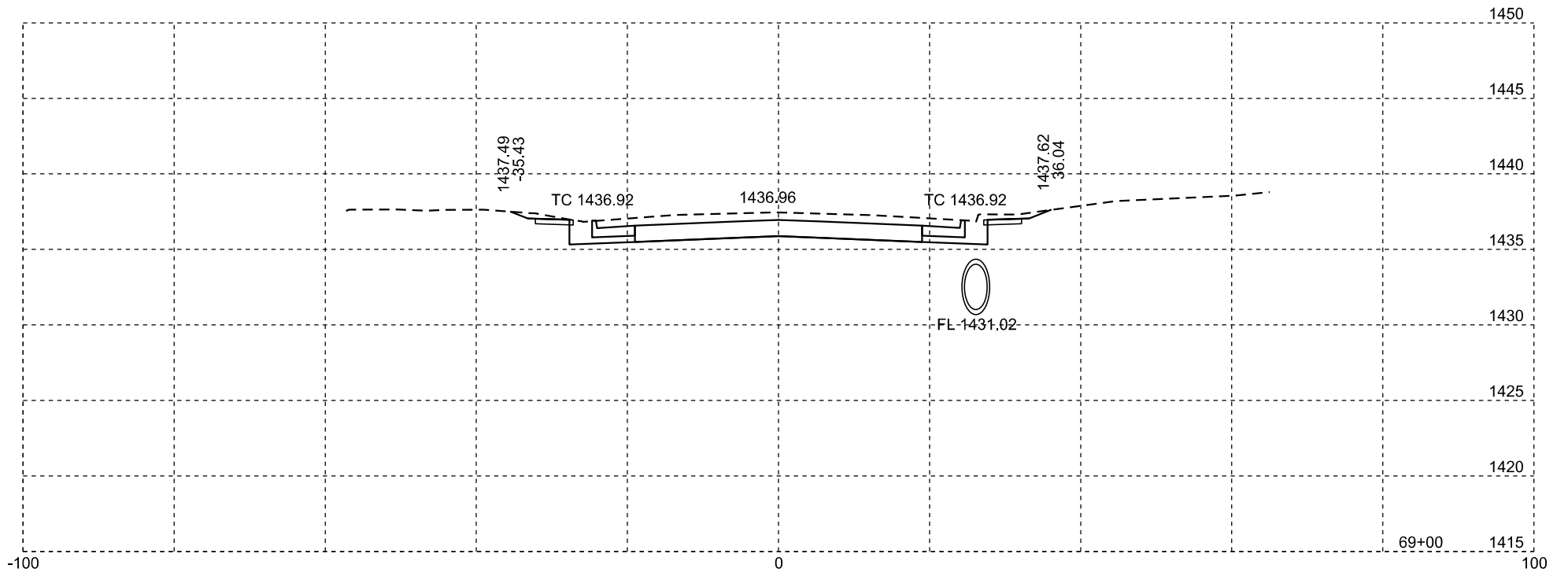
Plotting Date: 09/06/2024

| | | | |
|-----------------------------|-------------------|--------------|-----------------|
| STATE OF SOUTH DAKOTA | PROJECT | SHEET NO. | TOTAL SHEETS |
| | NH-CR 0046(69)288 | X66 | X139 |



Plotting Date: 09/06/2024

| | | | |
|-----------------------------|-------------------|--------------|-----------------|
| STATE OF SOUTH DAKOTA | PROJECT | SHEET NO. | TOTAL SHEETS |
| | NH-CR 0046(69)288 | X67 | X139 |

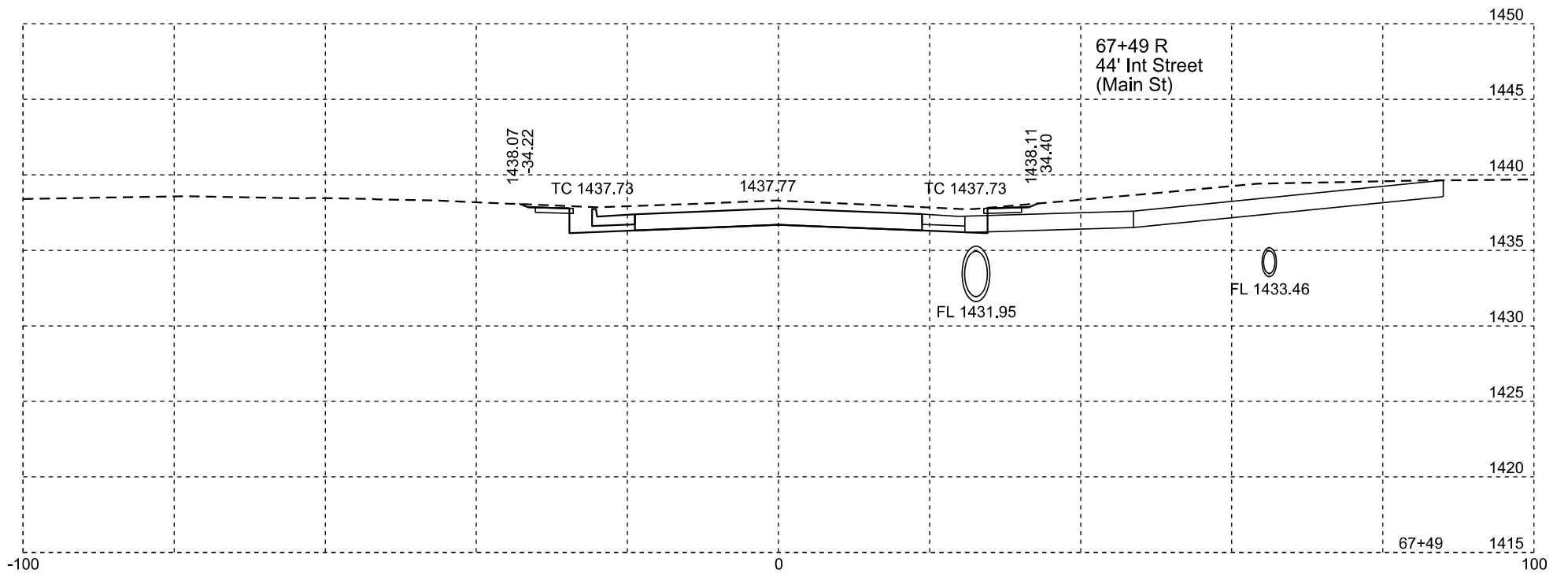
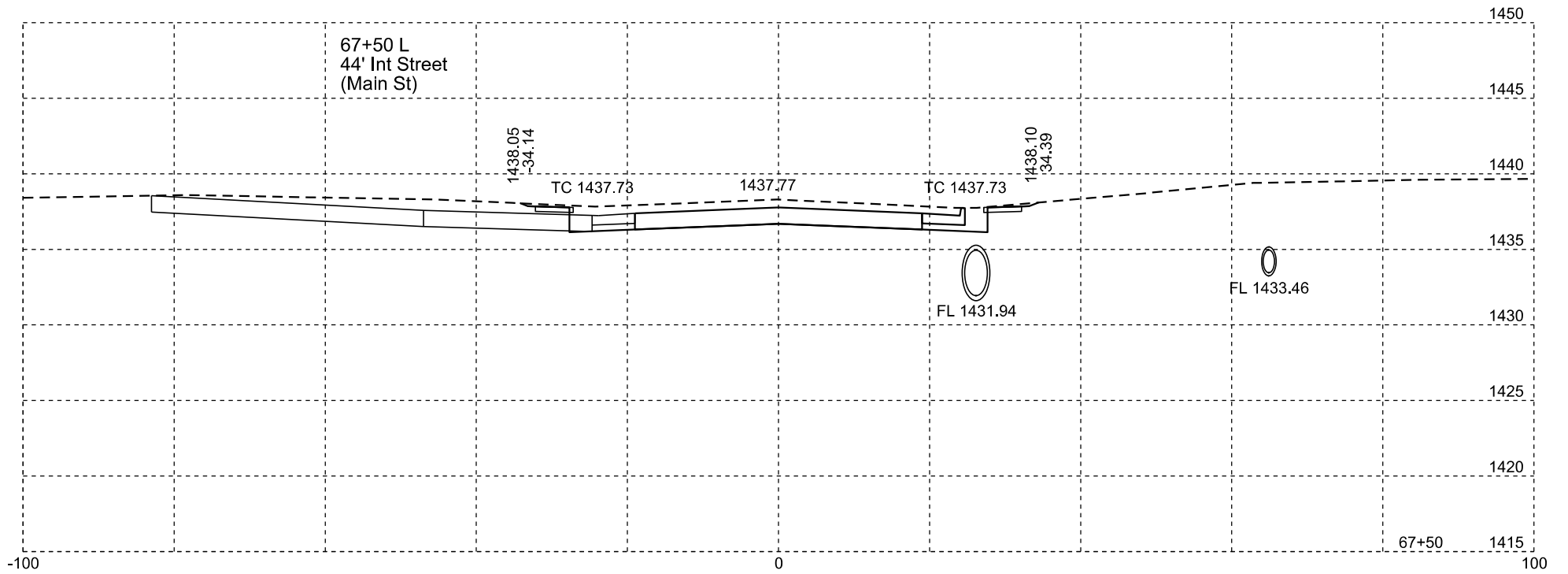
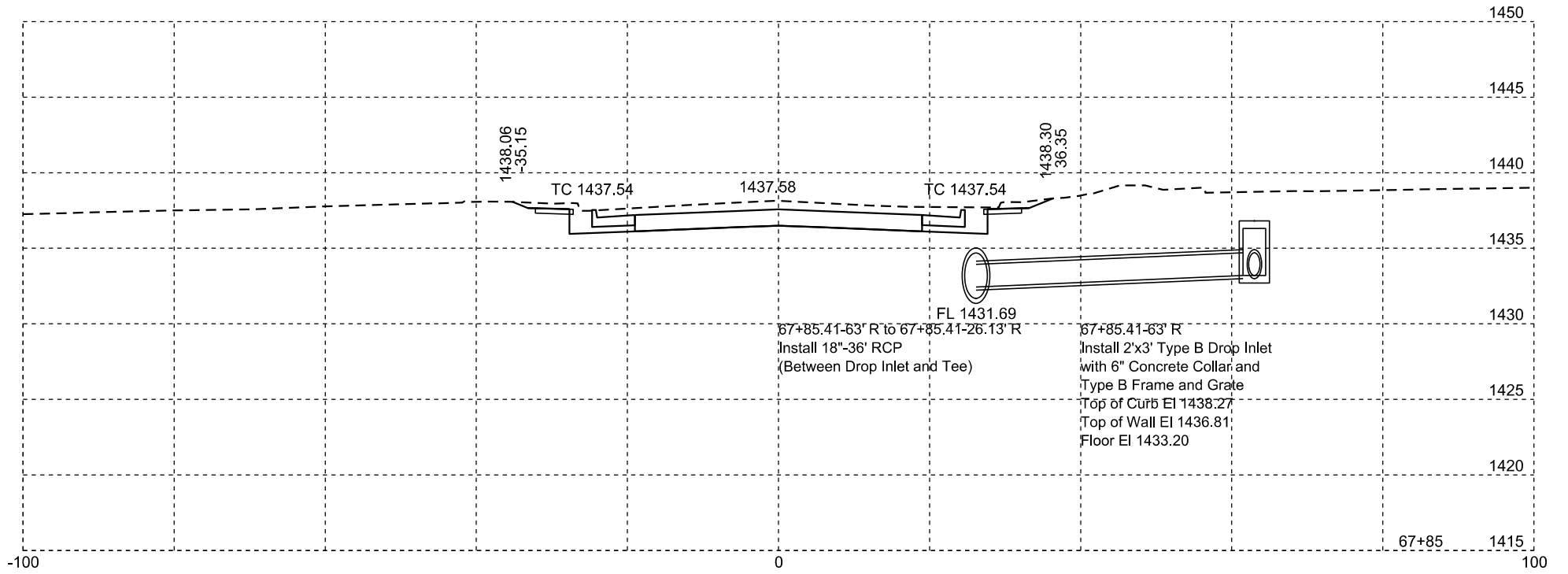
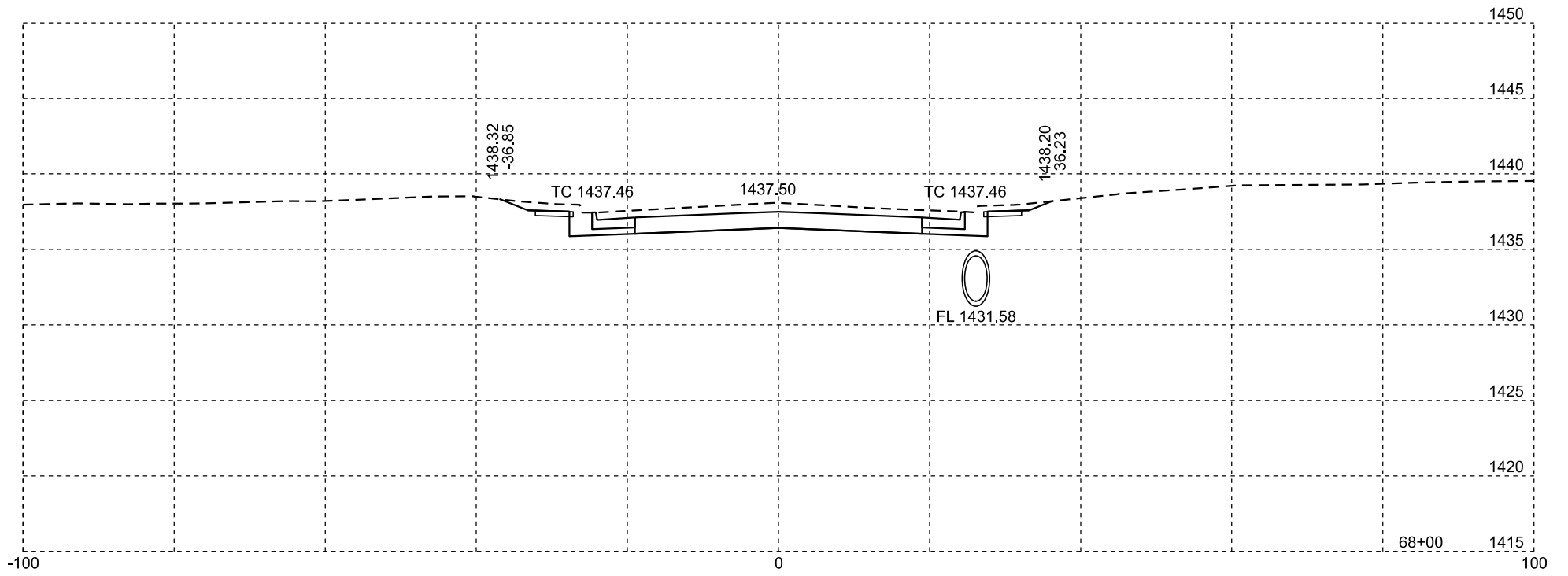


68+15-26.13' R to 69+05-26.13' R
Install 36"-80' RCP
(Between Drop Inlets)

68+15-26.13' R
Install 4'x11' Type S Drop Inlet
Base and Precast Concrete
Type S Drop Inlet Lid
Top of Curb EI 1437.38
Top of Wall EI 1435.88
Floor EI 1431.51

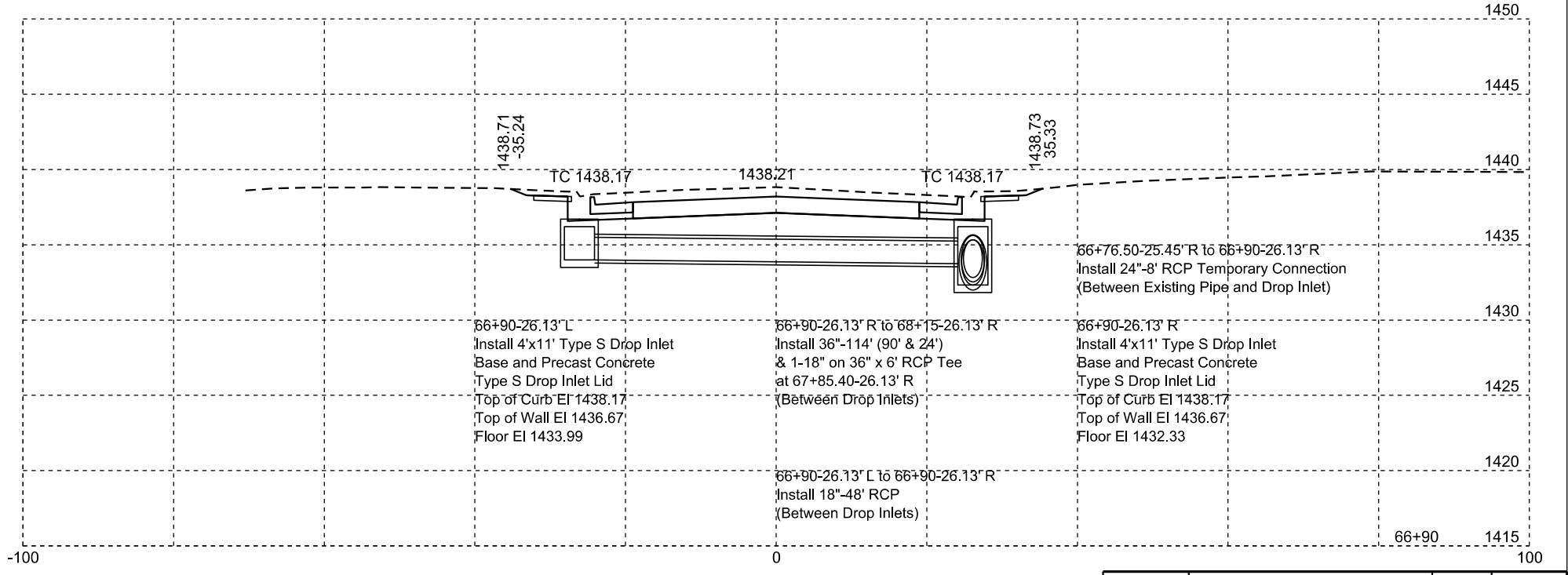
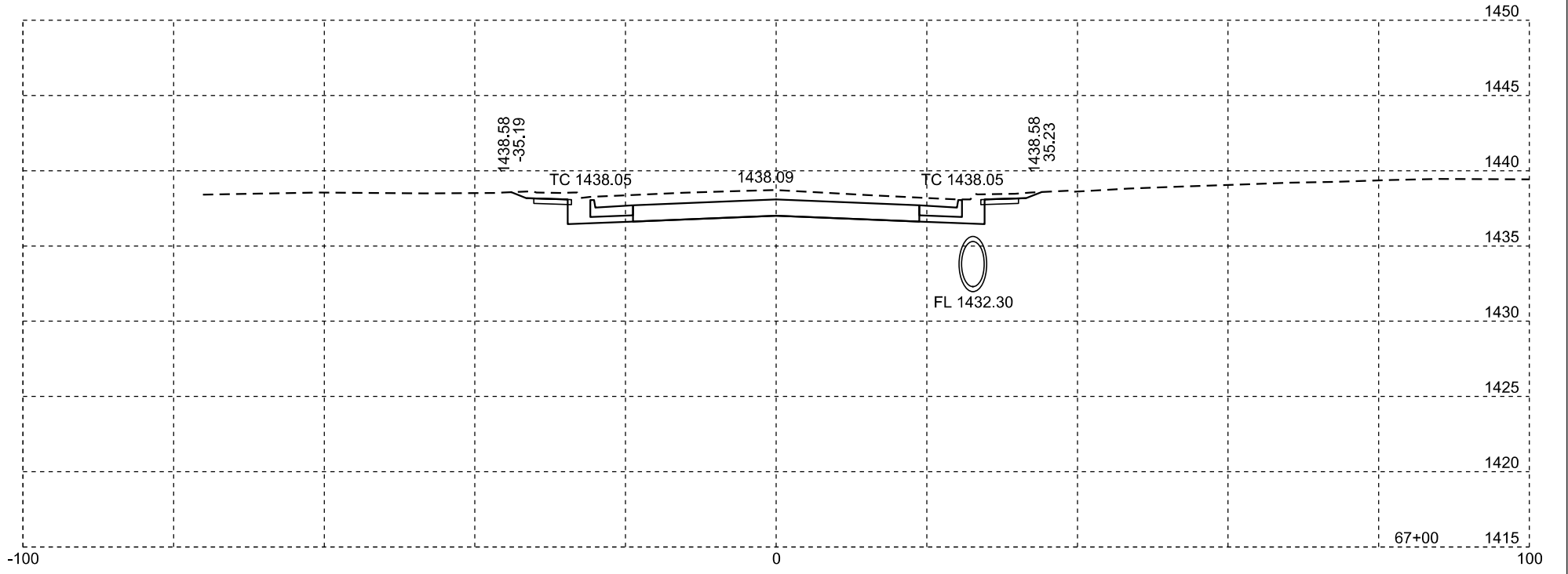
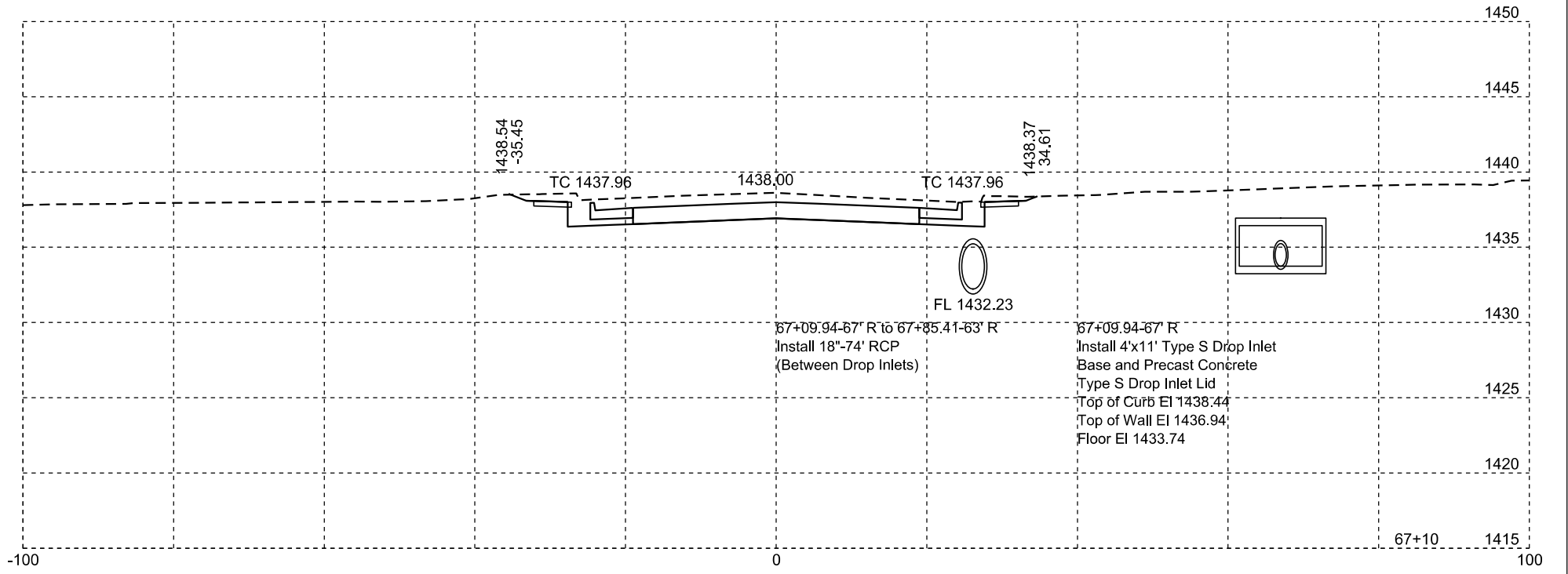
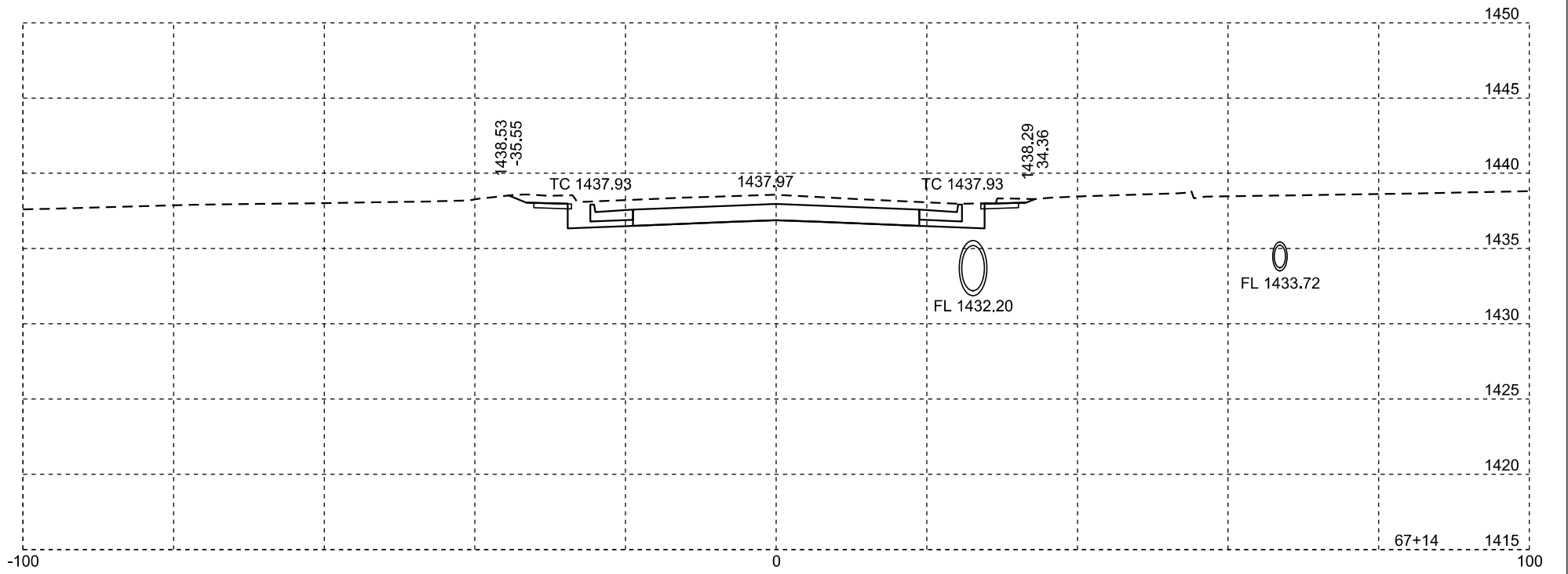
Plotting Date: 09/06/2024

| | | | |
|-----------------------------|-------------------|--------------|-----------------|
| STATE OF SOUTH DAKOTA | PROJECT | SHEET NO. | TOTAL SHEETS |
| | NH-CR 0046(69)288 | X68 | X139 |



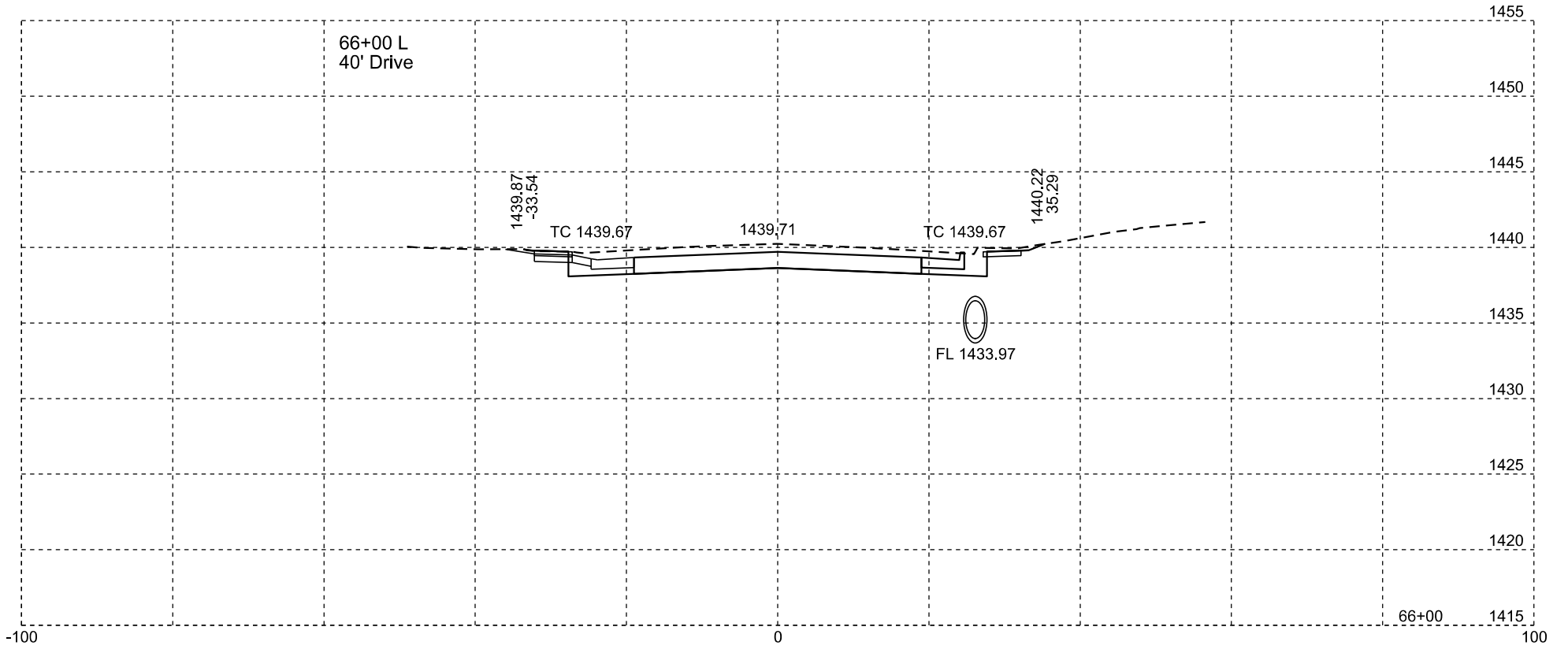
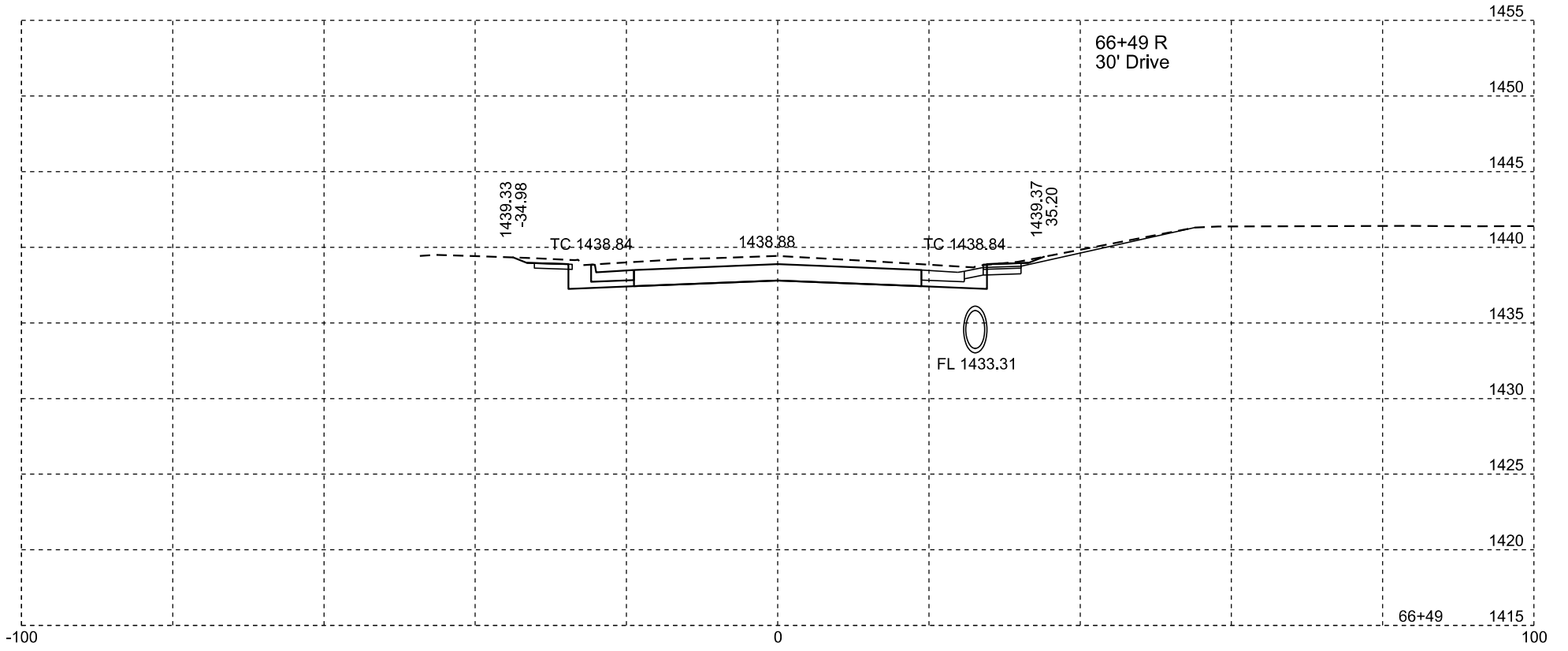
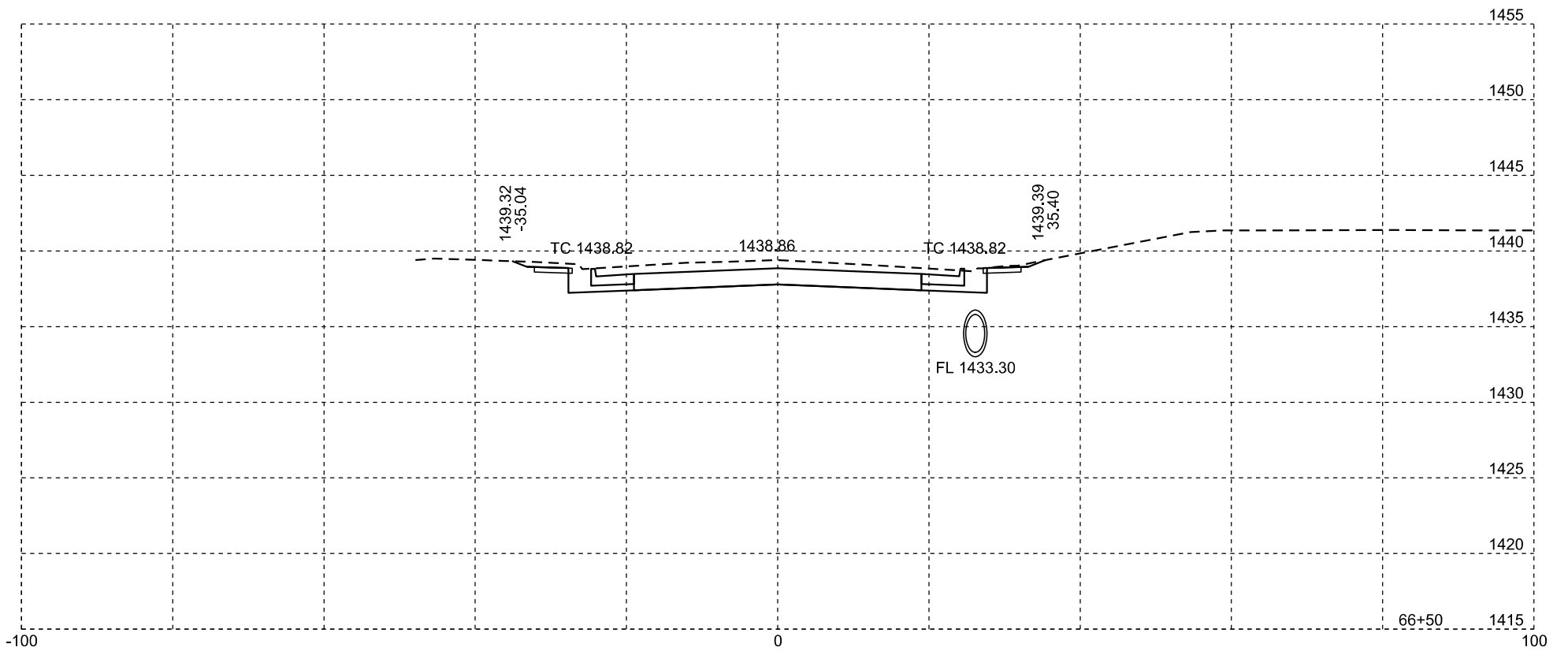
Plotting Date: 09/06/2024

| | | | |
|-----------------------------|-------------------|--------------|-----------------|
| STATE OF SOUTH DAKOTA | PROJECT | SHEET NO. | TOTAL SHEETS |
| | NH-CR 0046(69)288 | X69 | X139 |



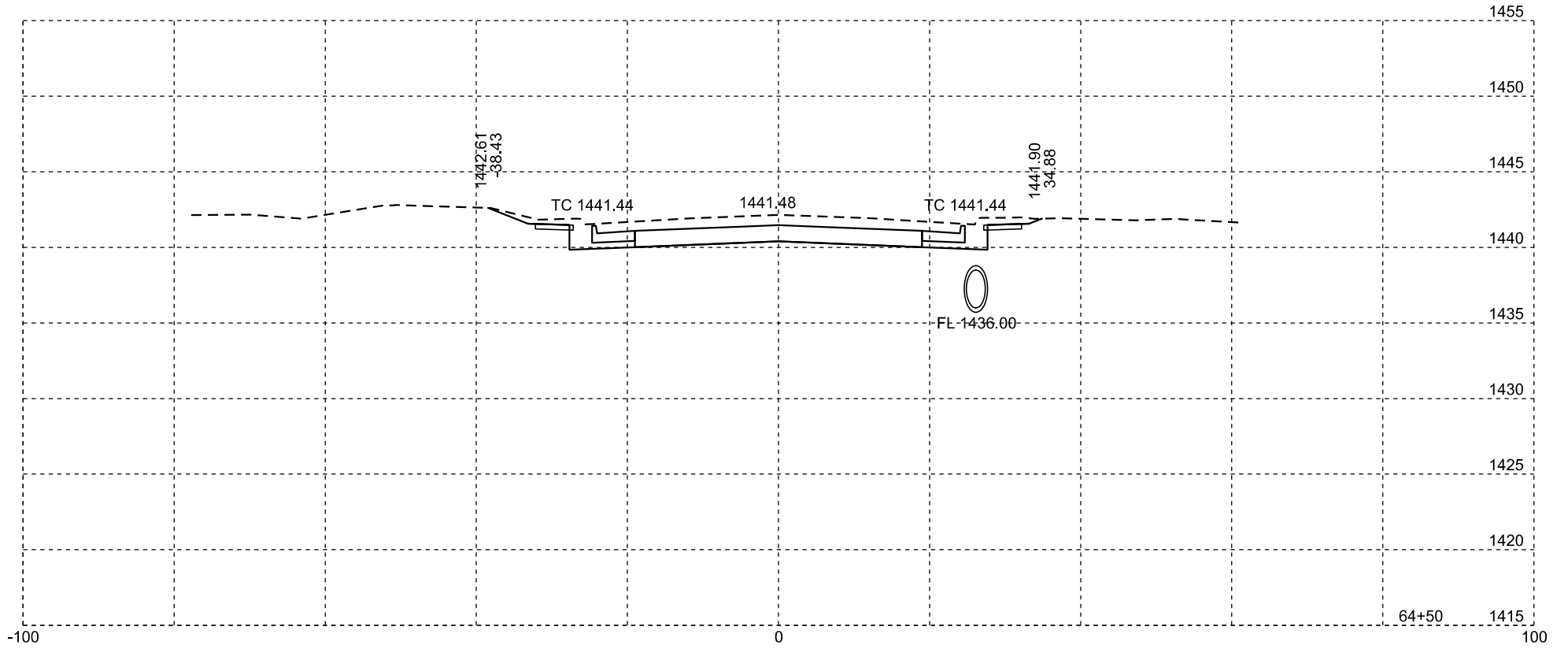
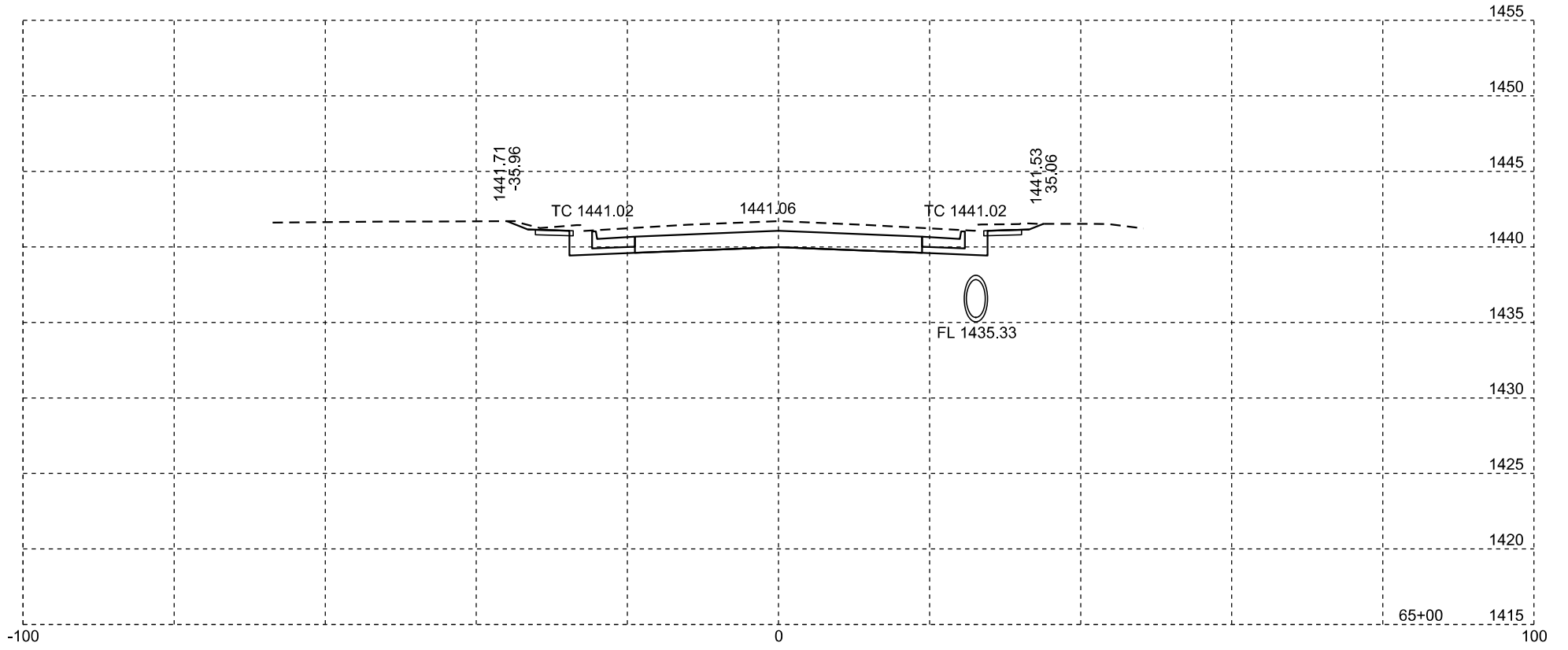
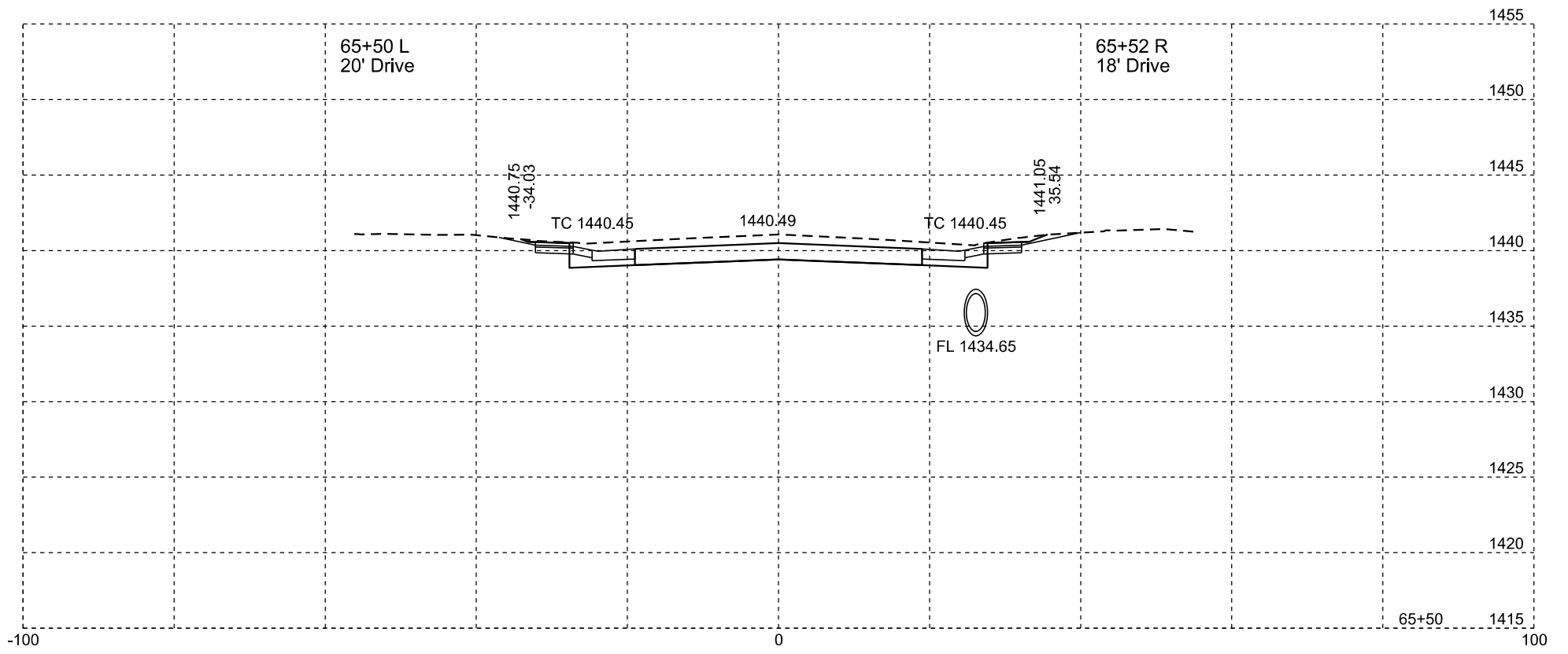
Plotting Date: 09/06/2024

| | | | |
|-----------------------------|-------------------|--------------|-----------------|
| STATE OF SOUTH DAKOTA | PROJECT | SHEET NO. | TOTAL SHEETS |
| | NH-CR 0046(69)288 | X70 | X139 |



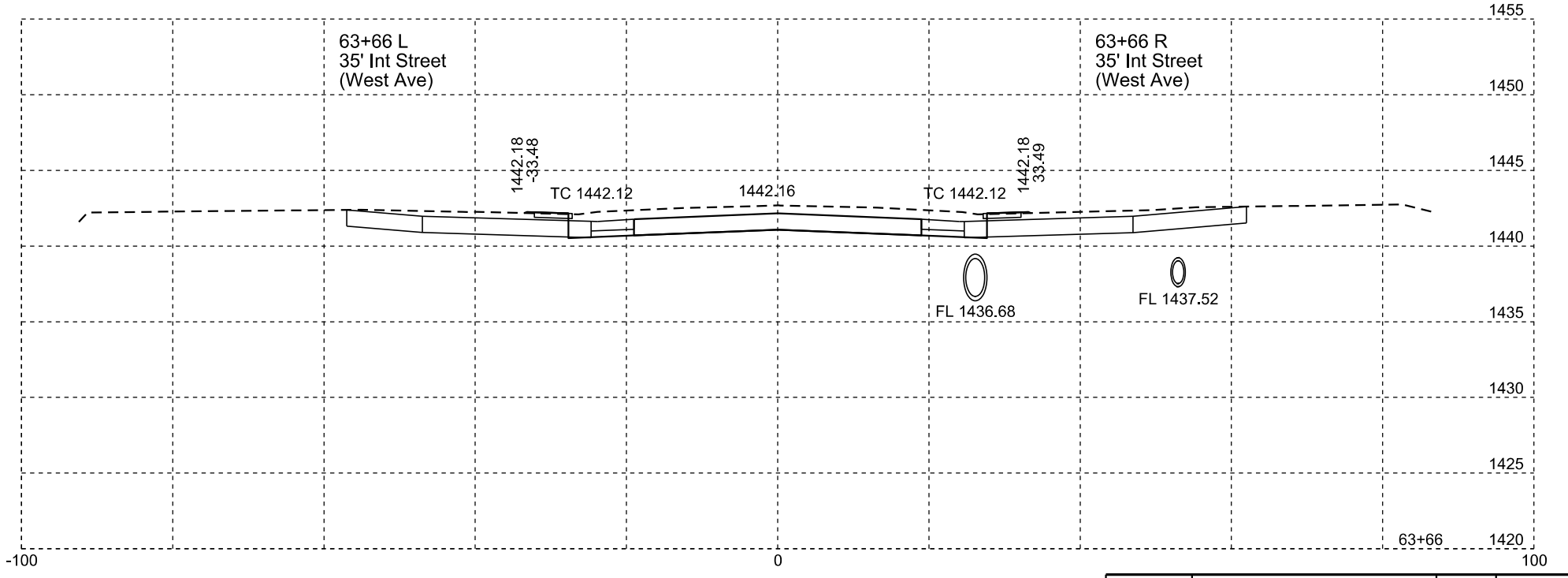
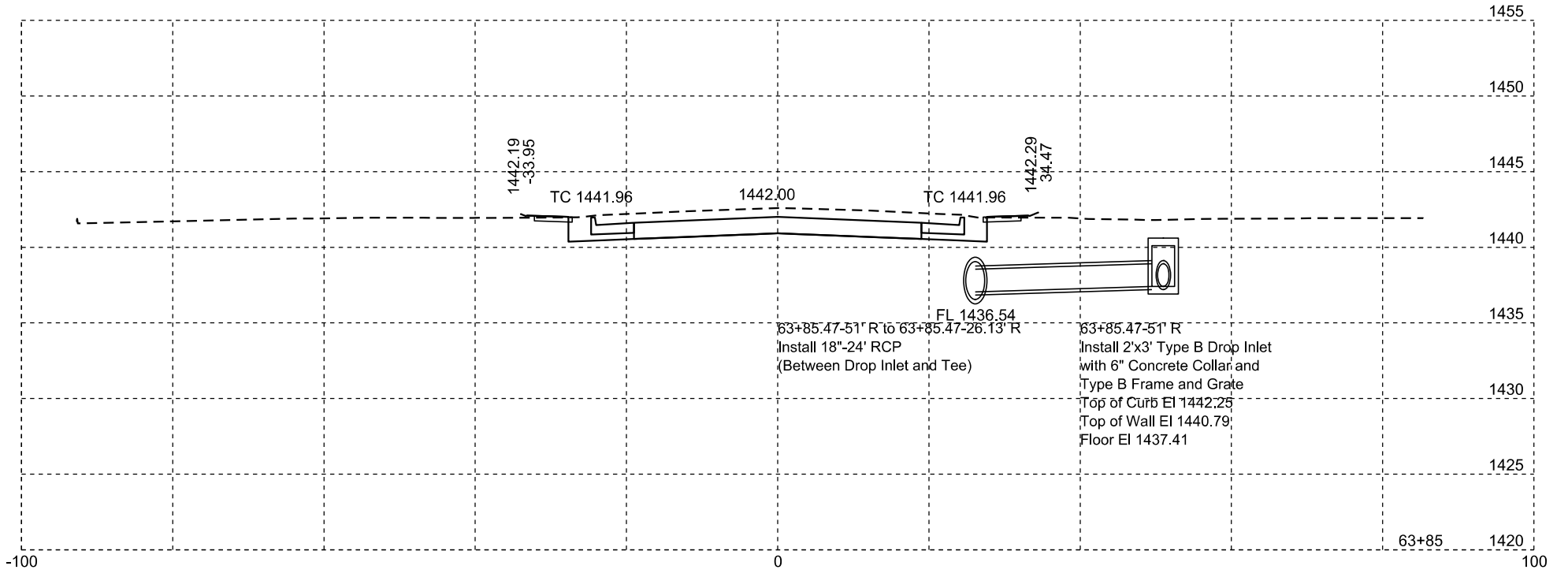
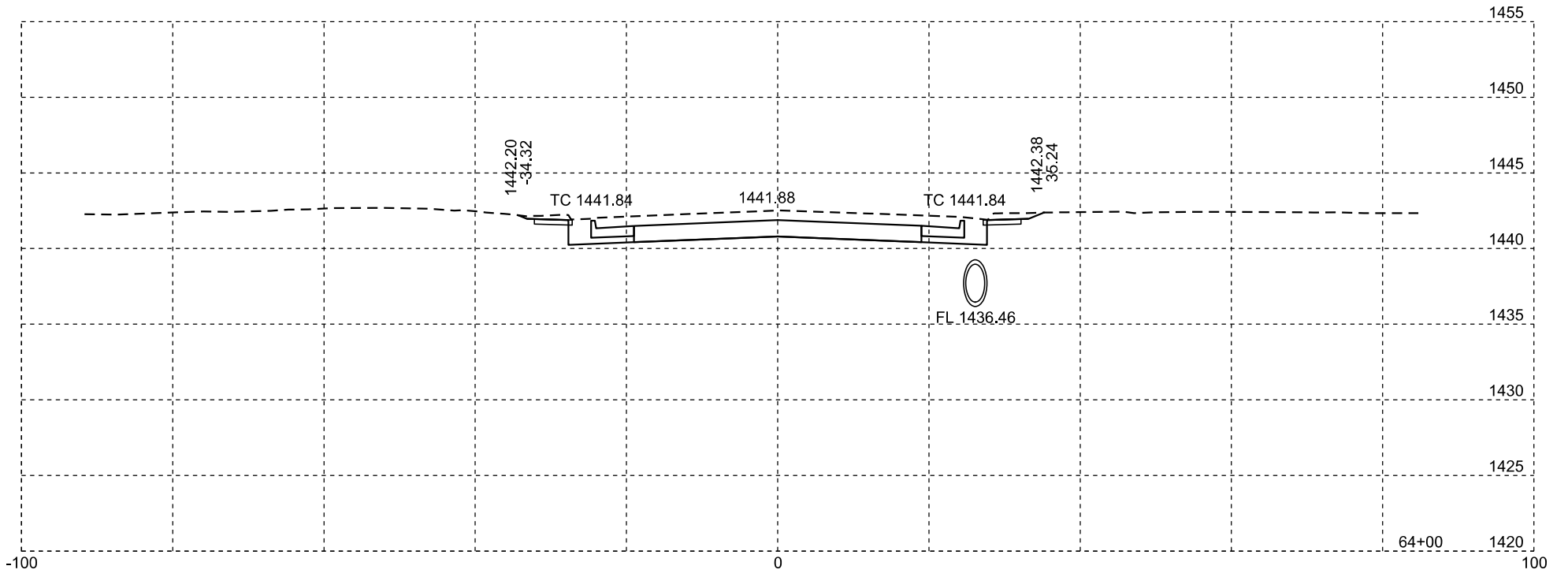
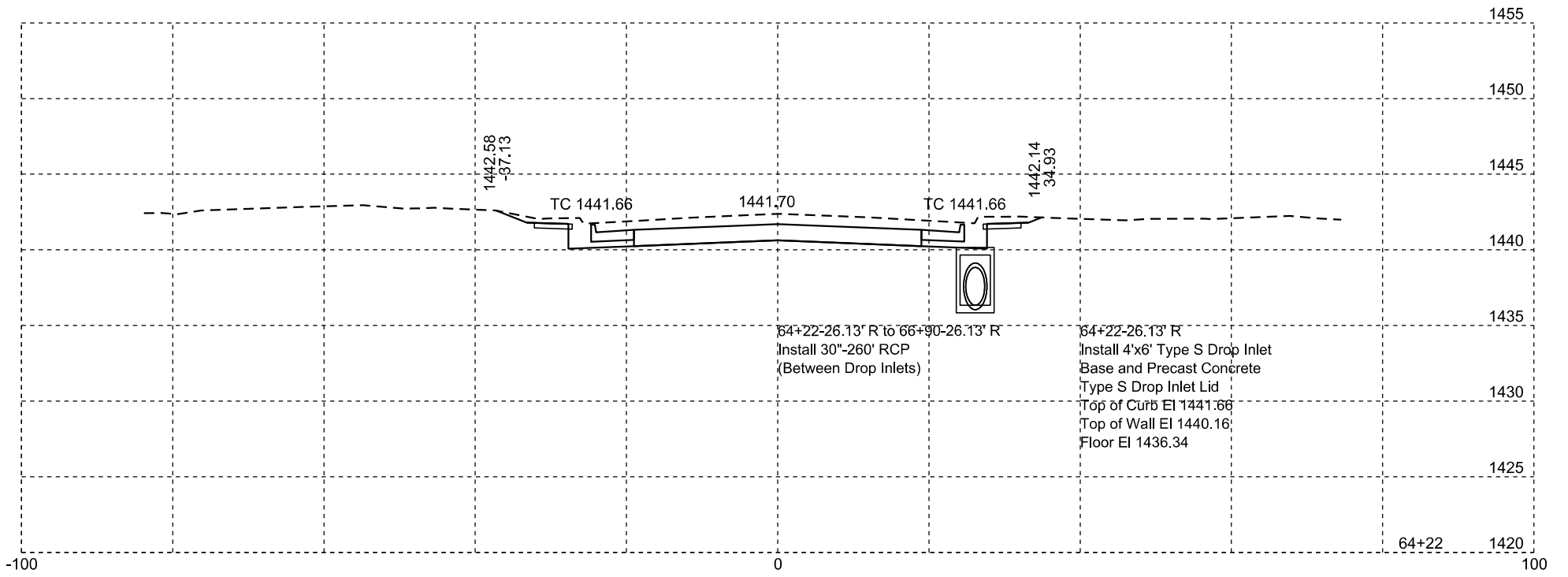
Plotting Date: 09/06/2024

| | | | |
|-----------------------------|-------------------|--------------|-----------------|
| STATE OF SOUTH DAKOTA | PROJECT | SHEET NO. | TOTAL SHEETS |
| | NH-CR 0046(69)288 | X71 | X139 |



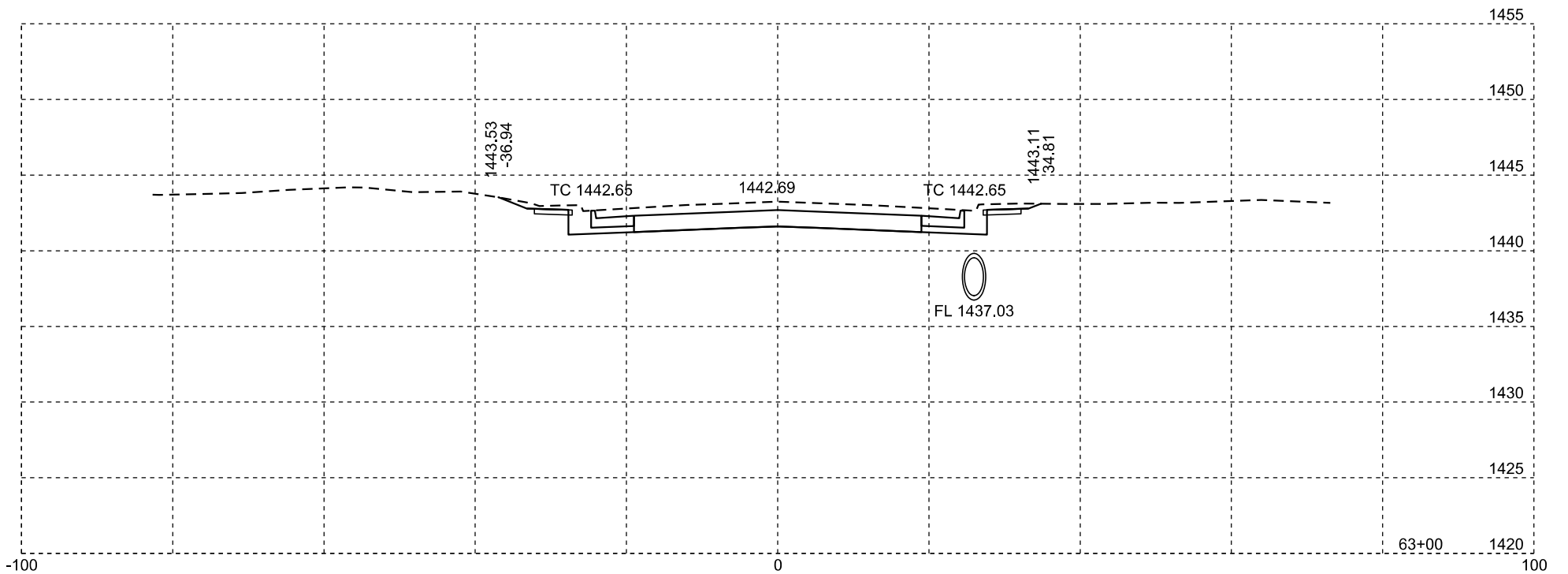
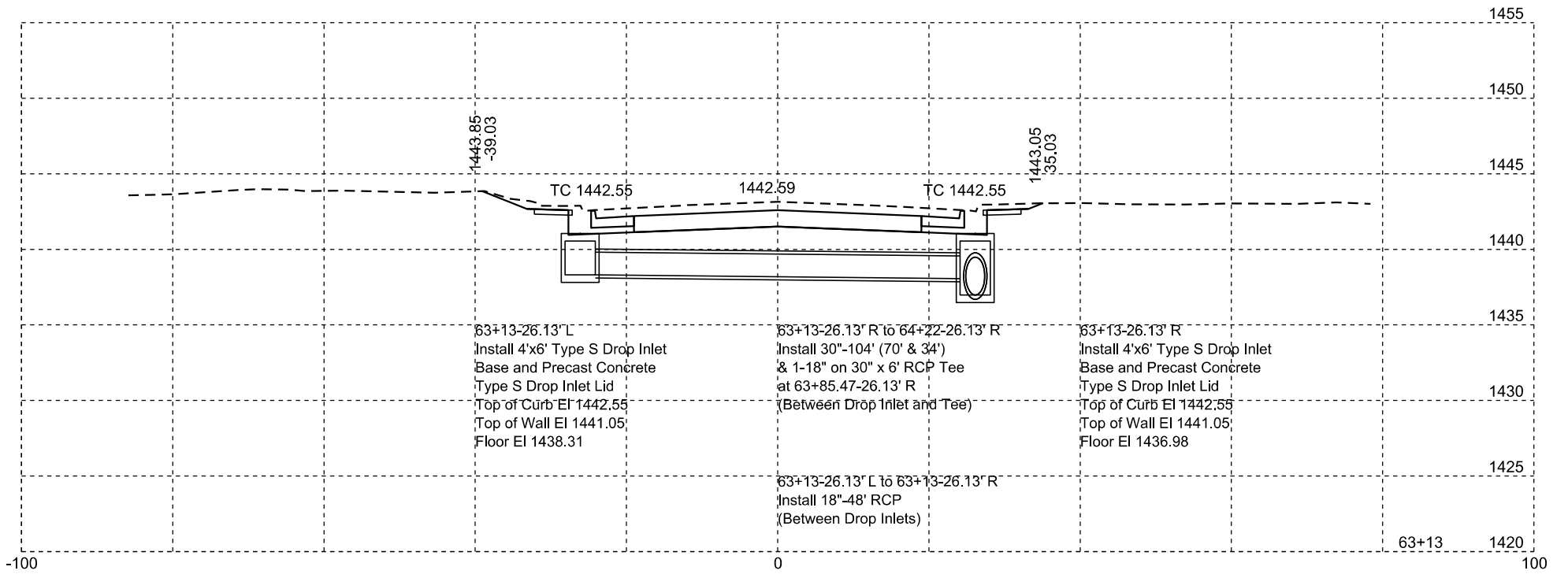
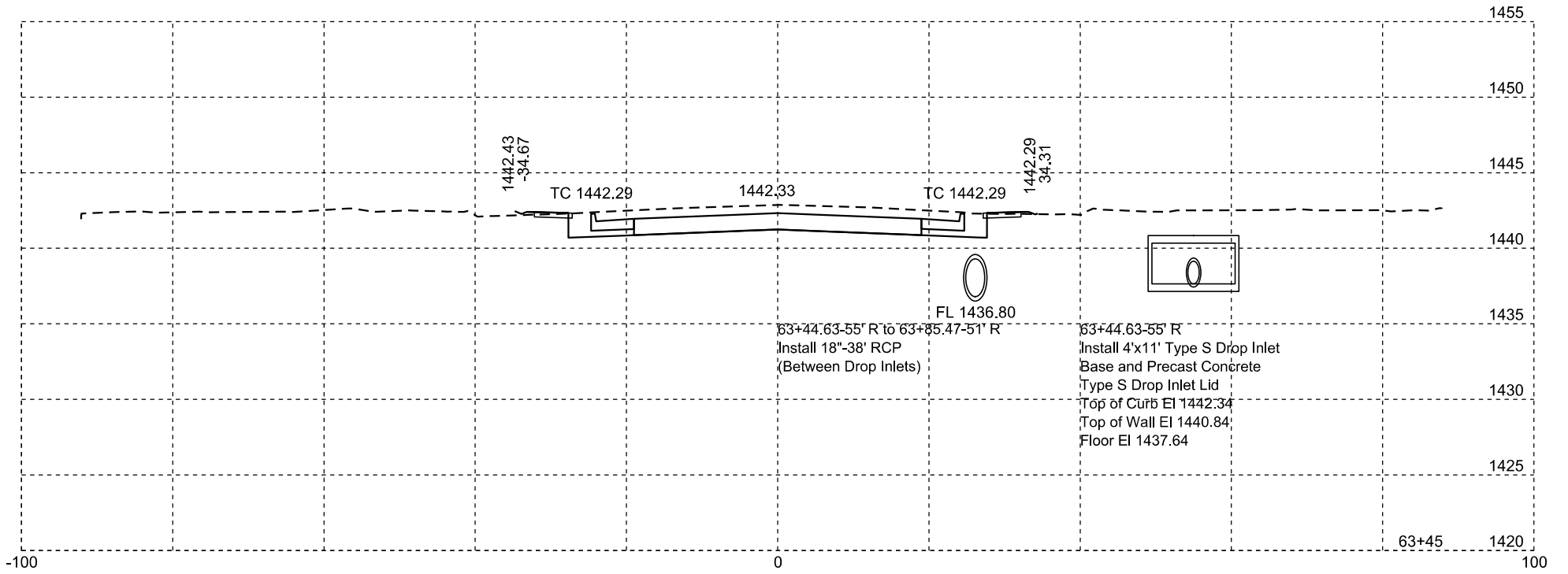
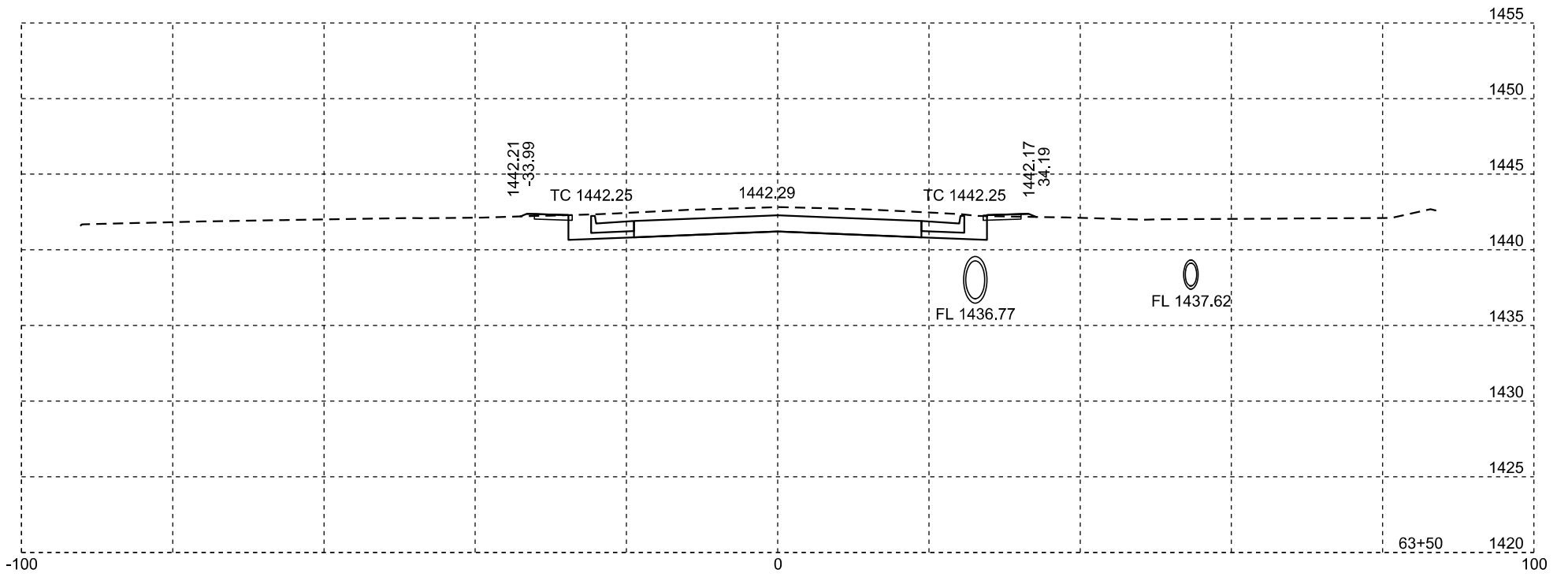
Plotting Date: 09/06/2024

| | | | |
|-----------------------------|-------------------|--------------|-----------------|
| STATE OF SOUTH DAKOTA | PROJECT | SHEET NO. | TOTAL SHEETS |
| | NH-CR 0046(69)288 | X72 | X139 |



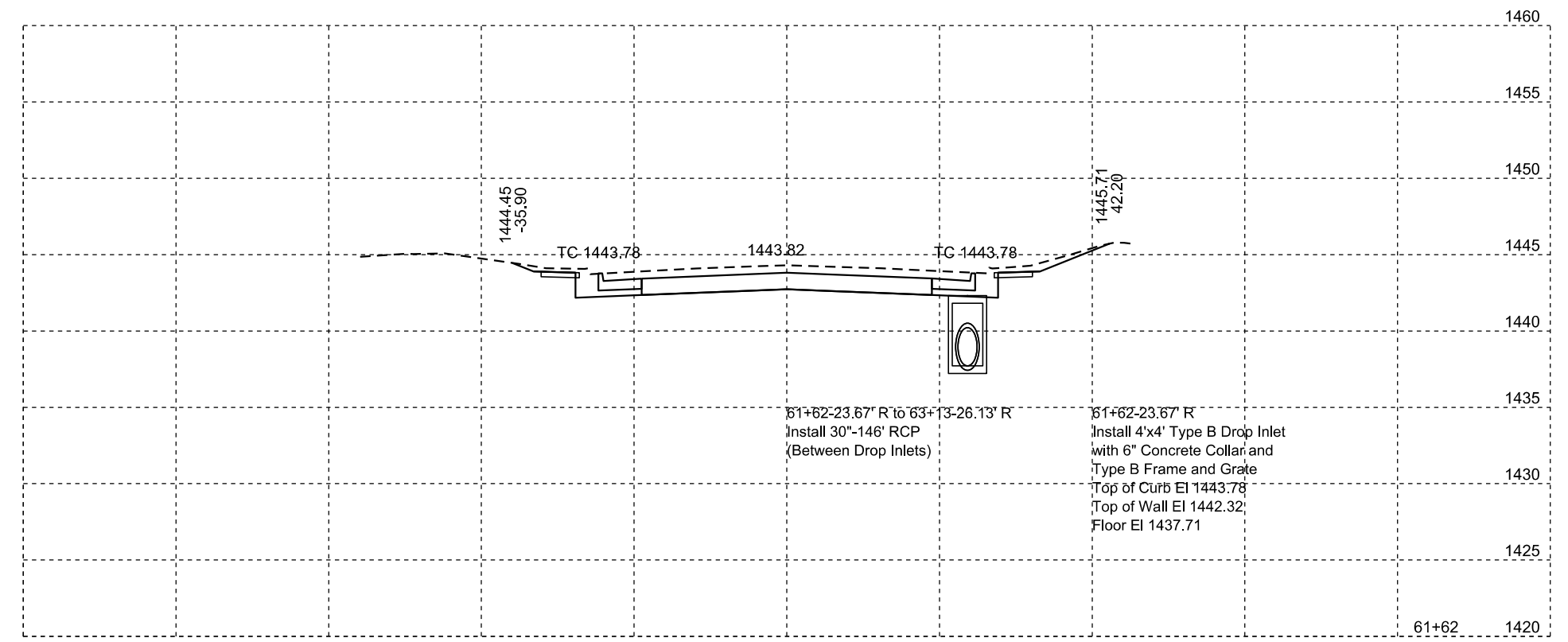
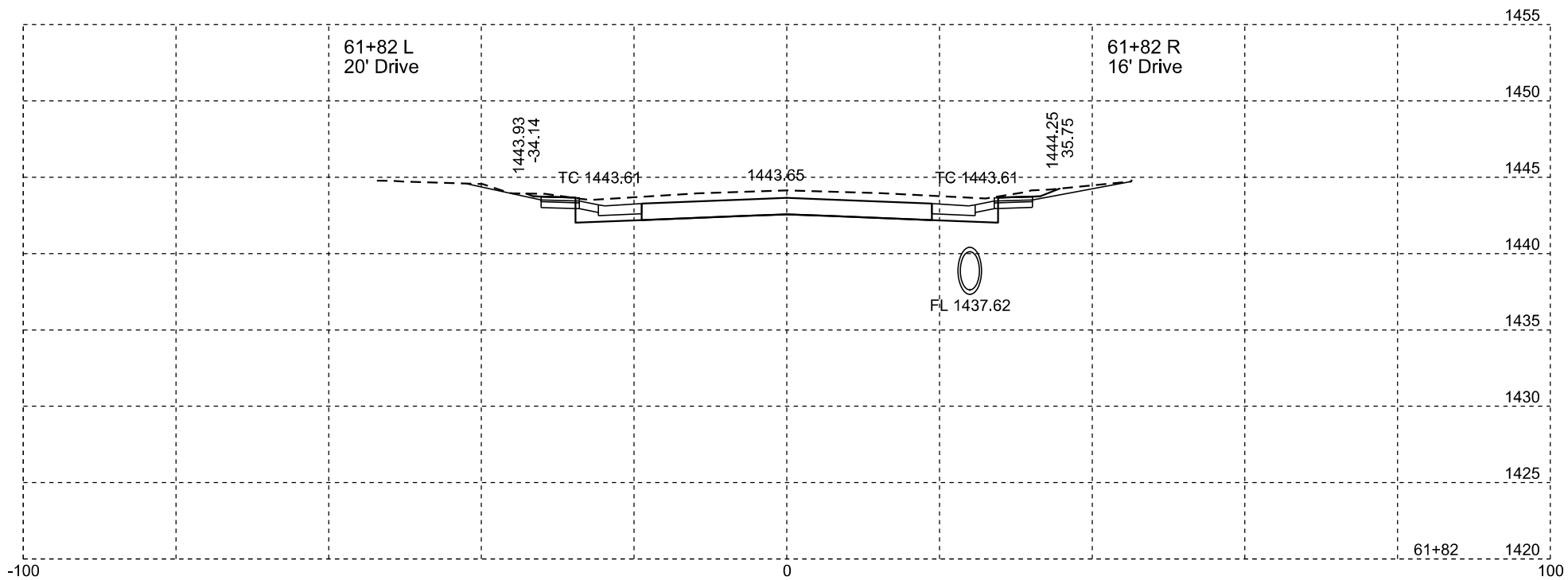
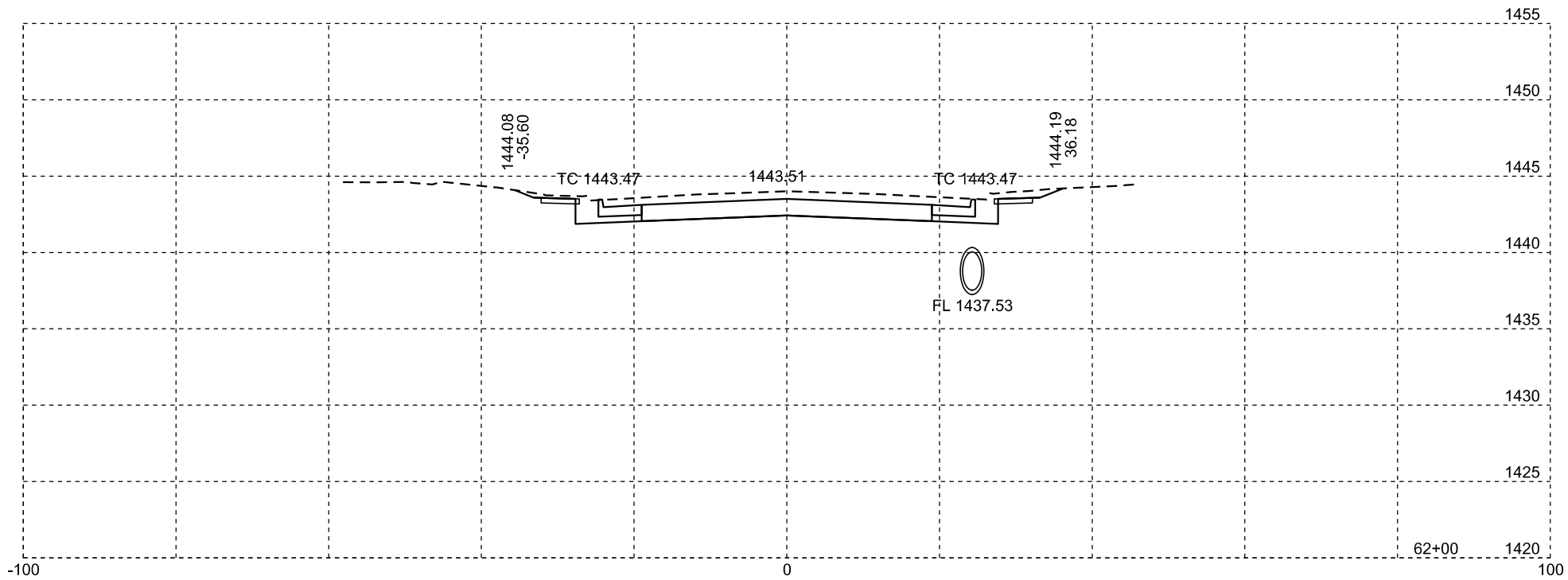
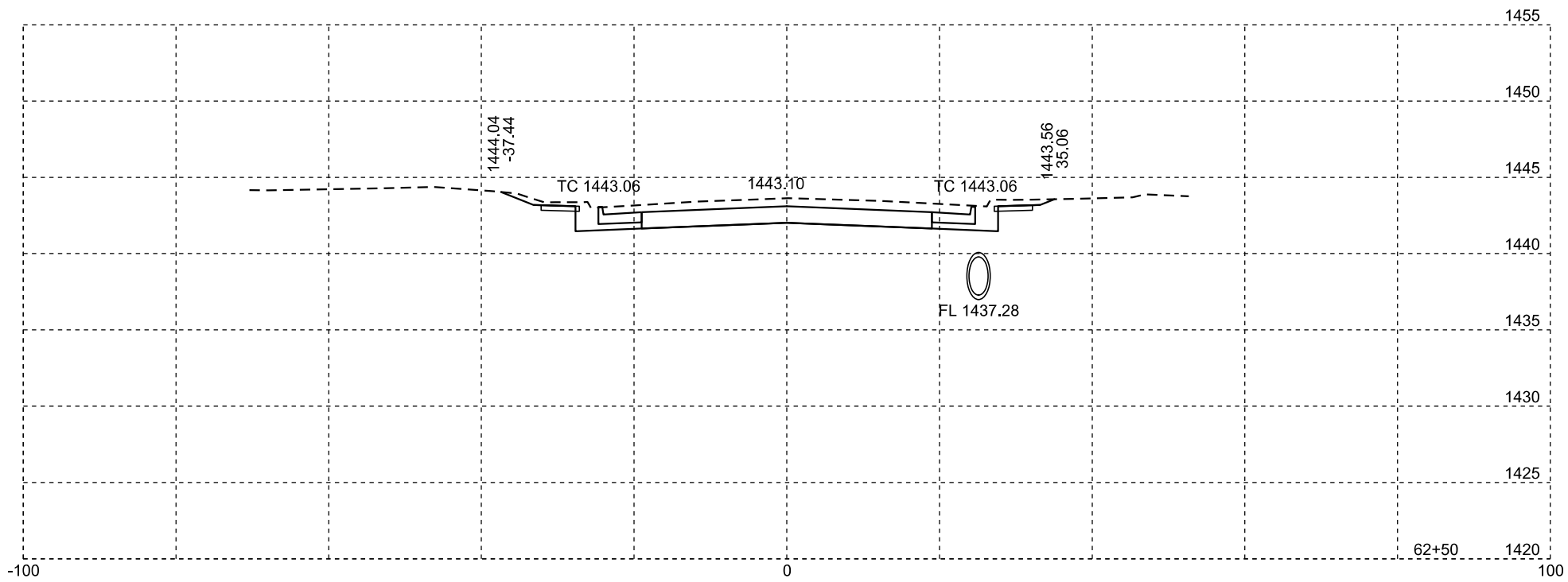
Plotting Date: 09/06/2024

| | | | |
|-----------------------------|-------------------|--------------|-----------------|
| STATE OF SOUTH DAKOTA | PROJECT | SHEET NO. | TOTAL SHEETS |
| | NH-CR 0046(69)288 | X73 | X139 |



Plotting Date: 09/06/2024

| | | | |
|-----------------------------|-------------------|--------------|-----------------|
| STATE OF SOUTH DAKOTA | PROJECT | SHEET NO. | TOTAL SHEETS |
| | NH-CR 0046(69)288 | X74 | X139 |

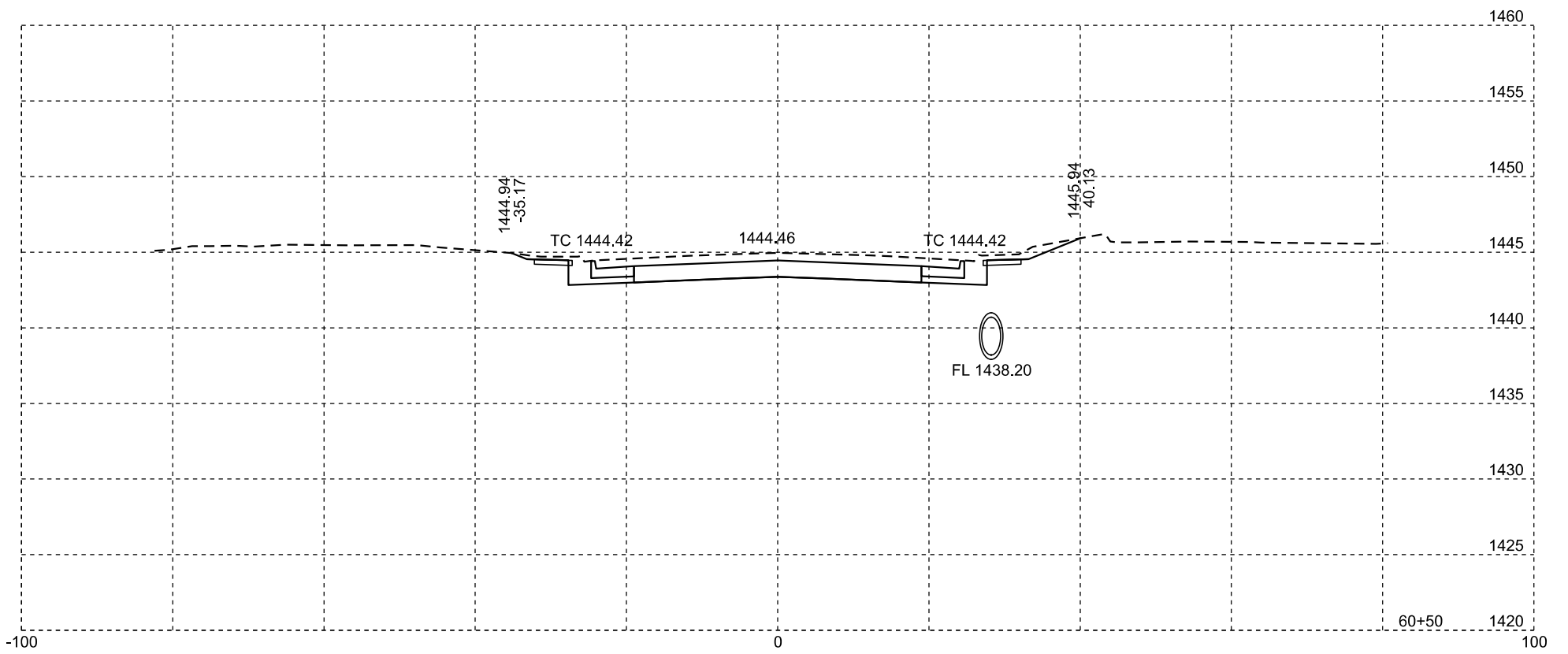
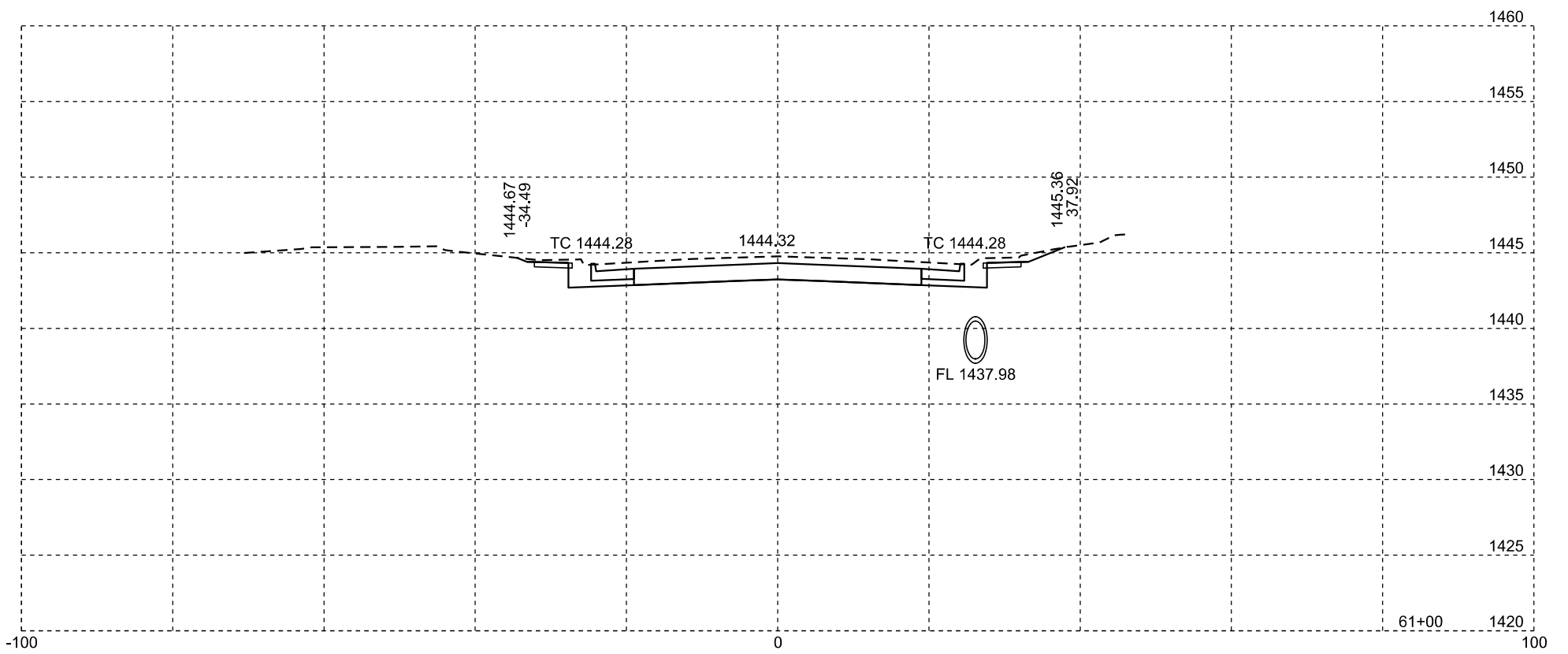
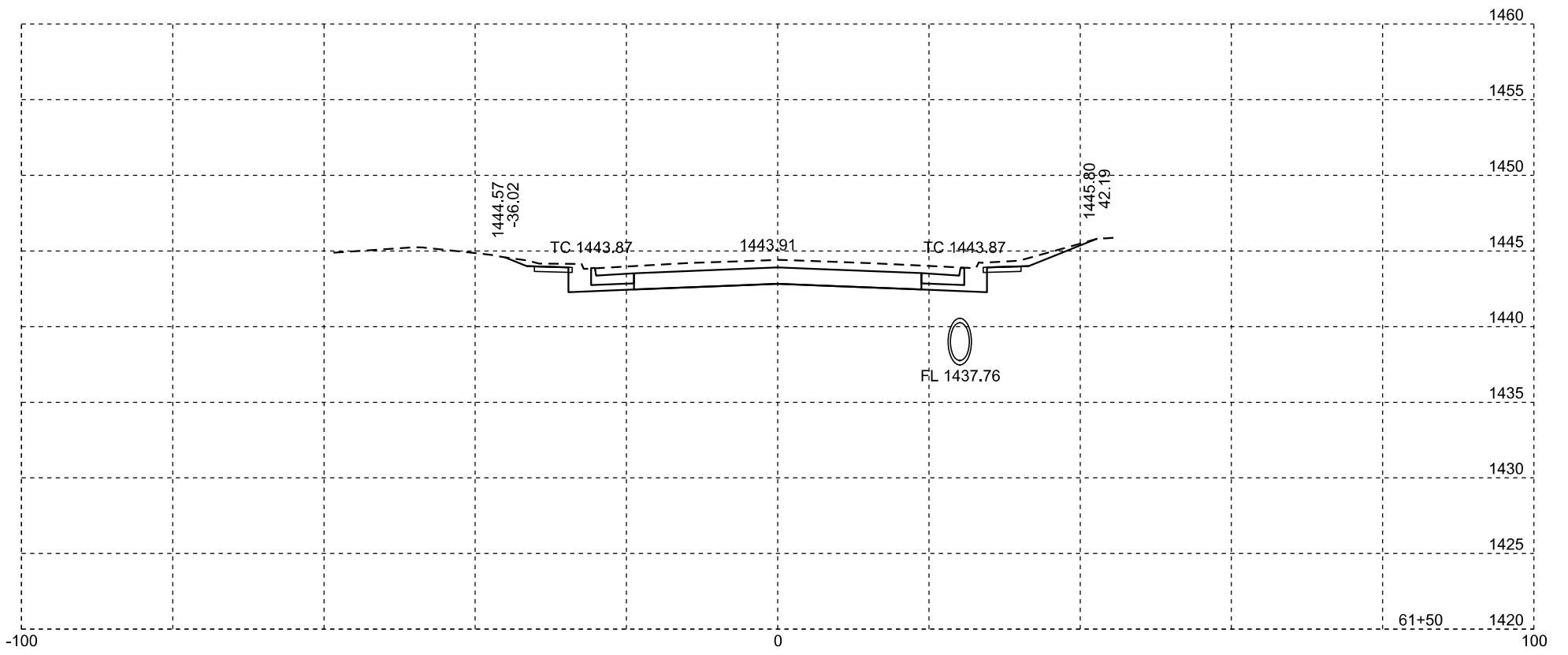


61+62-23.67' R to 63+13-26.13' R
Install 30"-146' RCP
(Between Drop Inlets)

61+62-23.67' R
Install 4'x4' Type B Drop Inlet
with 6" Concrete Collar and
Type B Frame and Grate
Top of Curb EI 1443.78
Top of Wall EI 1442.32
Floor EI 1437.71

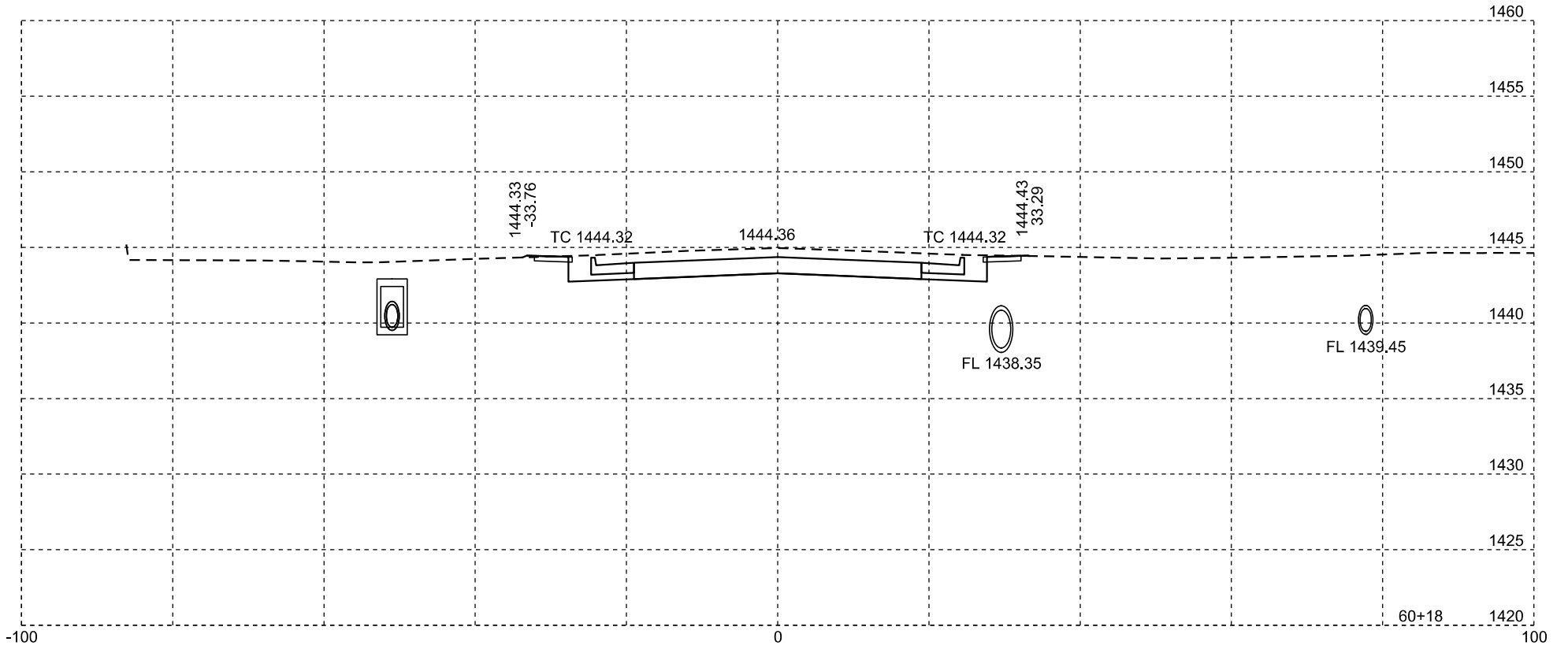
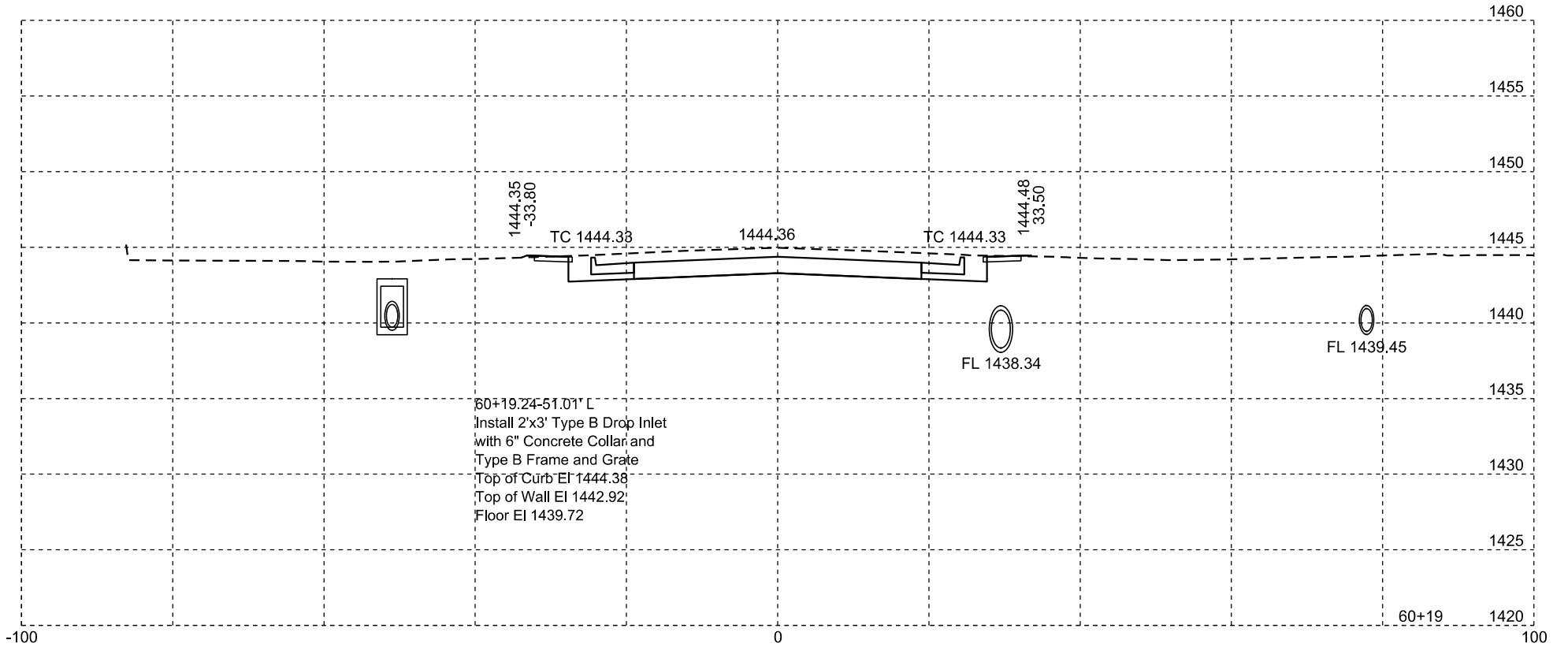
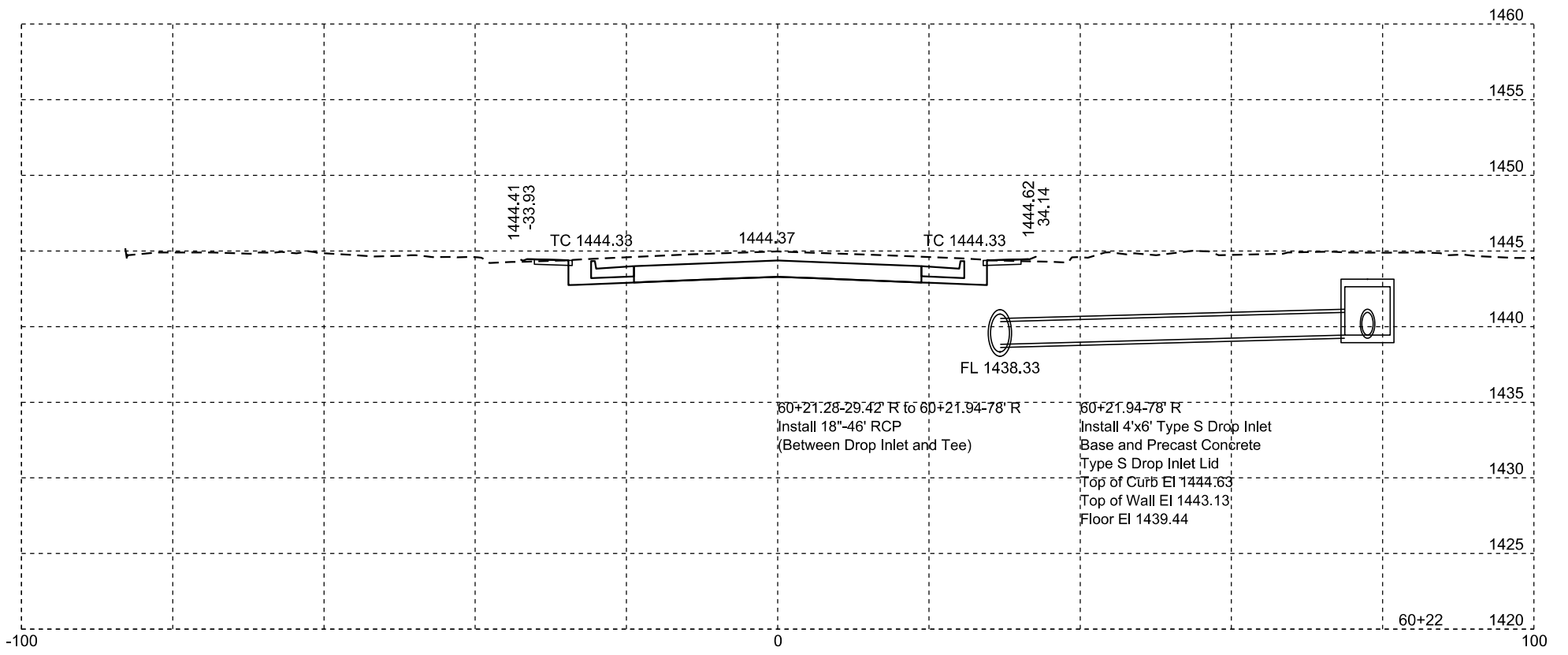
Plotting Date: 09/06/2024

| STATE OF SOUTH DAKOTA | PROJECT | SHEET NO. | TOTAL SHEETS |
|-----------------------------|-------------------|--------------|-----------------|
| | NH-CR 0046(69)288 | X75 | X139 |



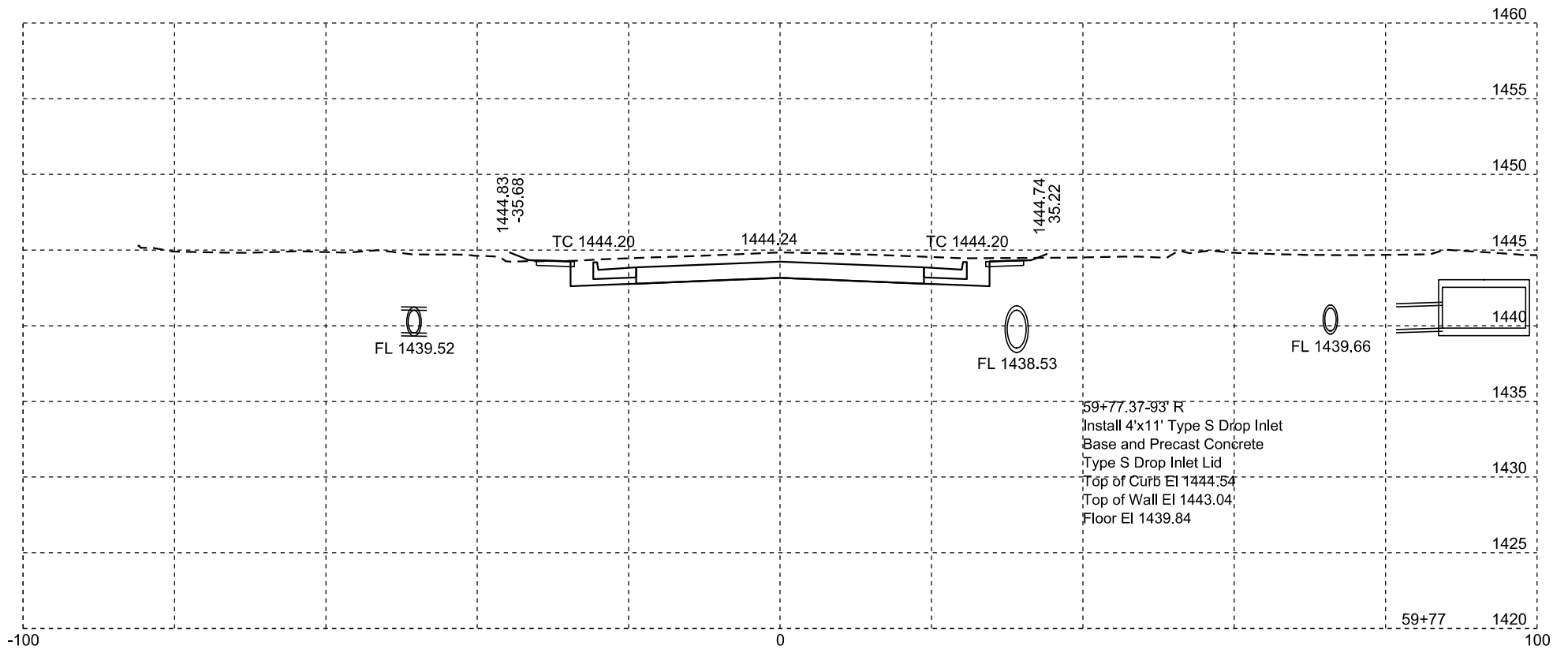
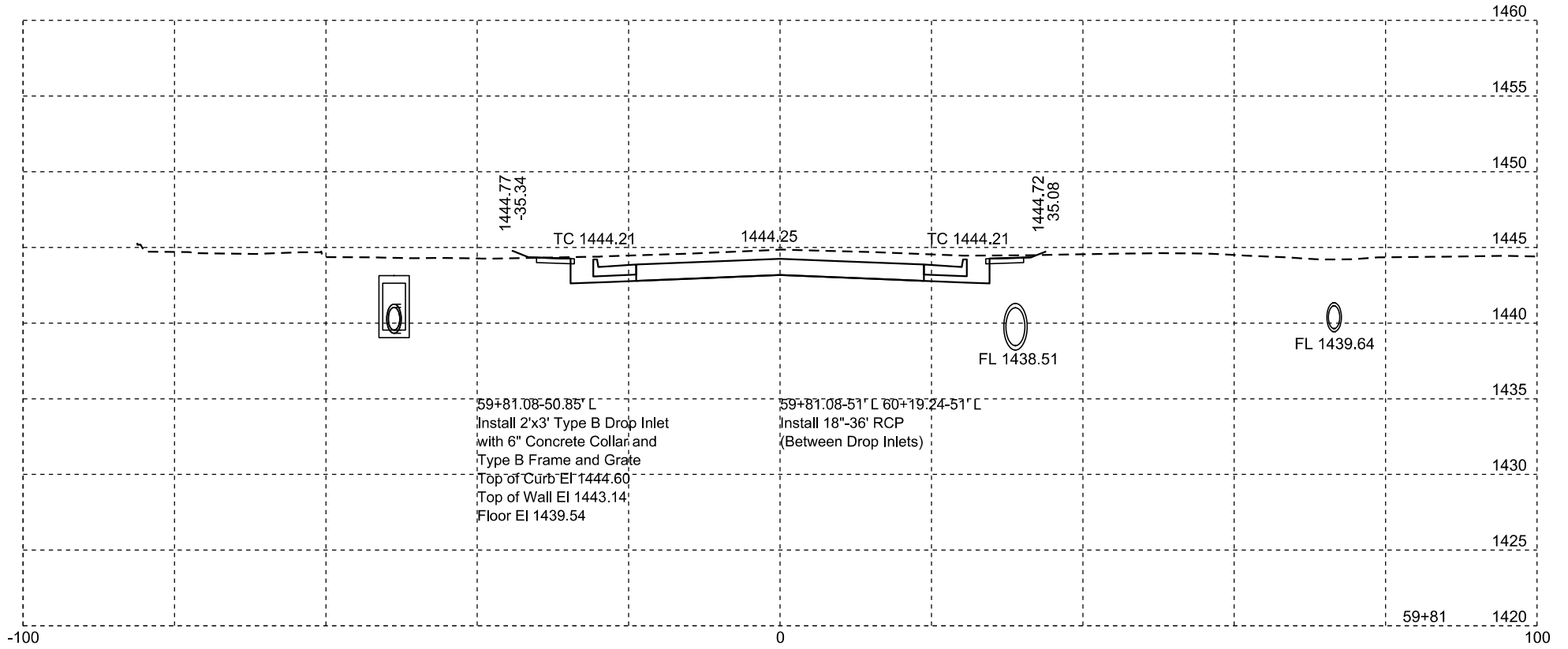
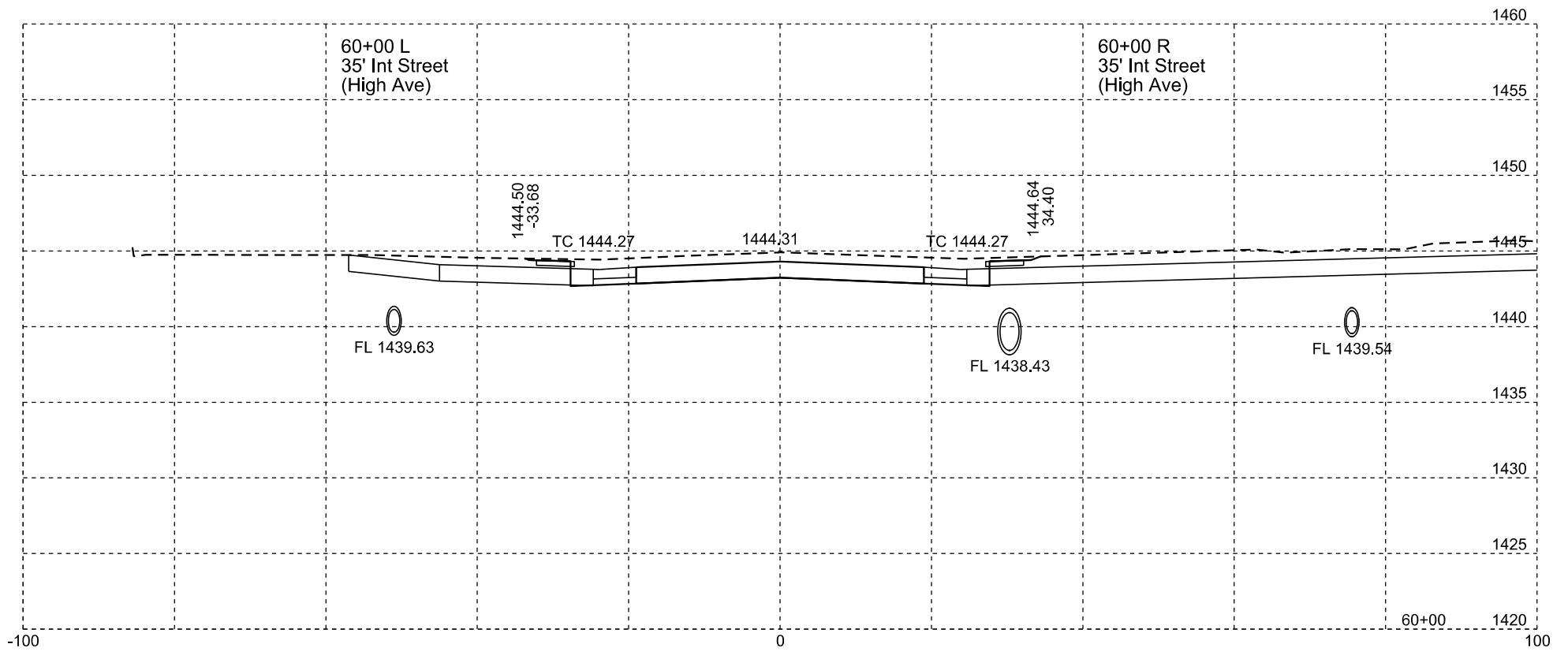
Plotting Date: 09/06/2024

| | | | |
|-----------------------------|-------------------|--------------|-----------------|
| STATE OF SOUTH DAKOTA | PROJECT | SHEET NO. | TOTAL SHEETS |
| | NH-CR 0046(69)288 | X76 | X139 |



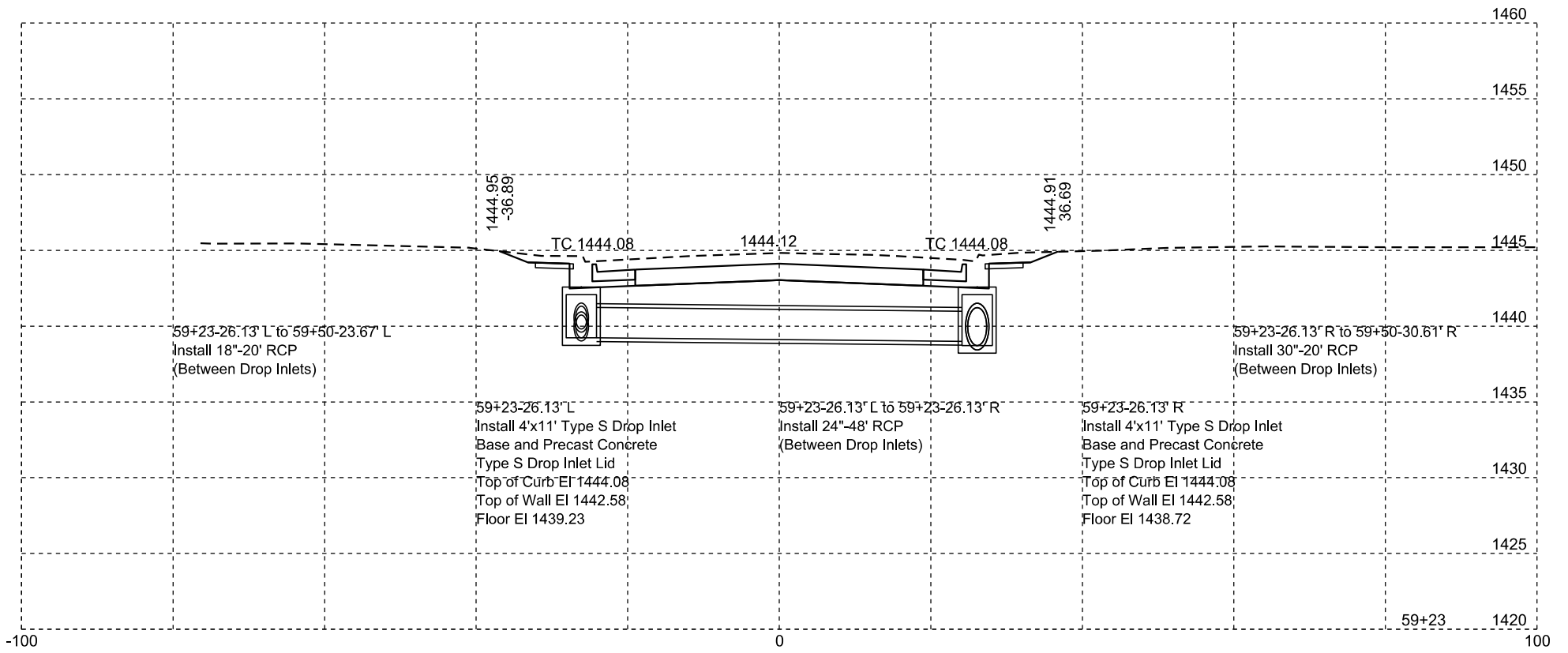
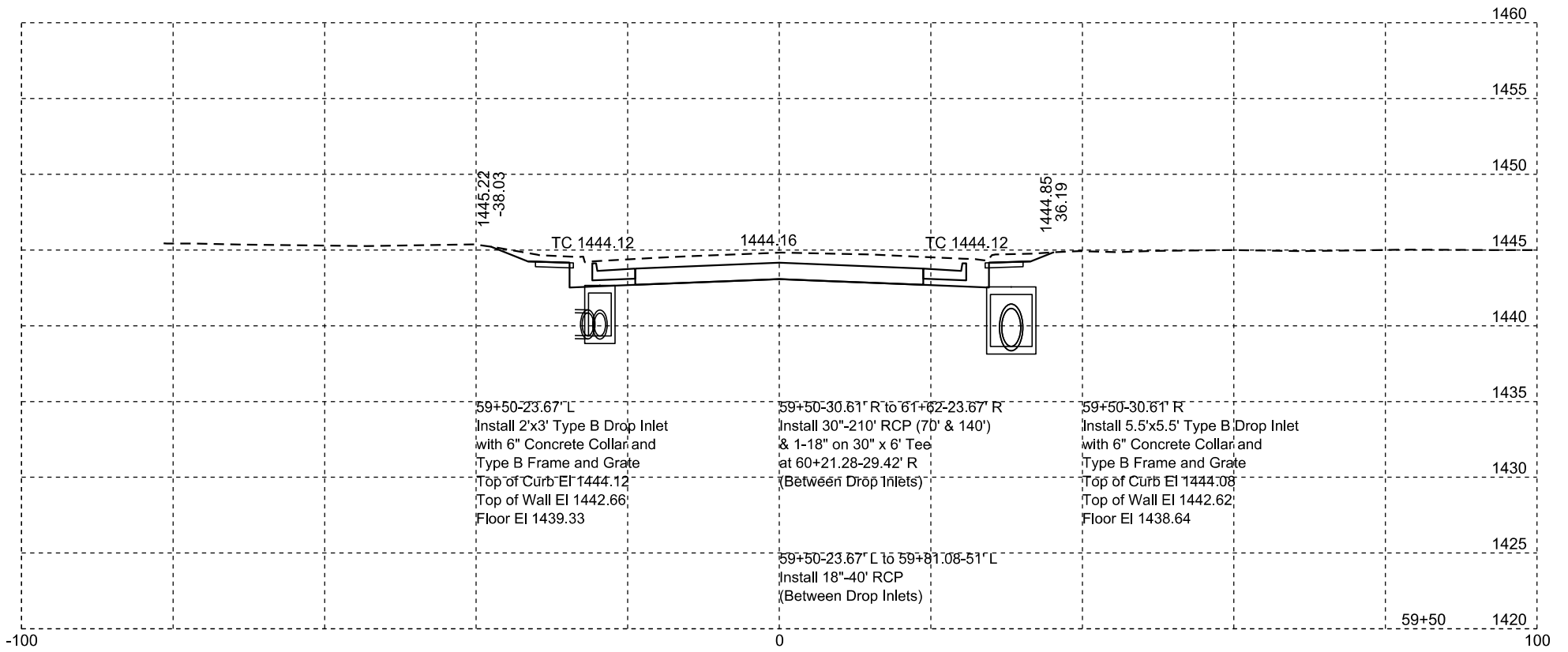
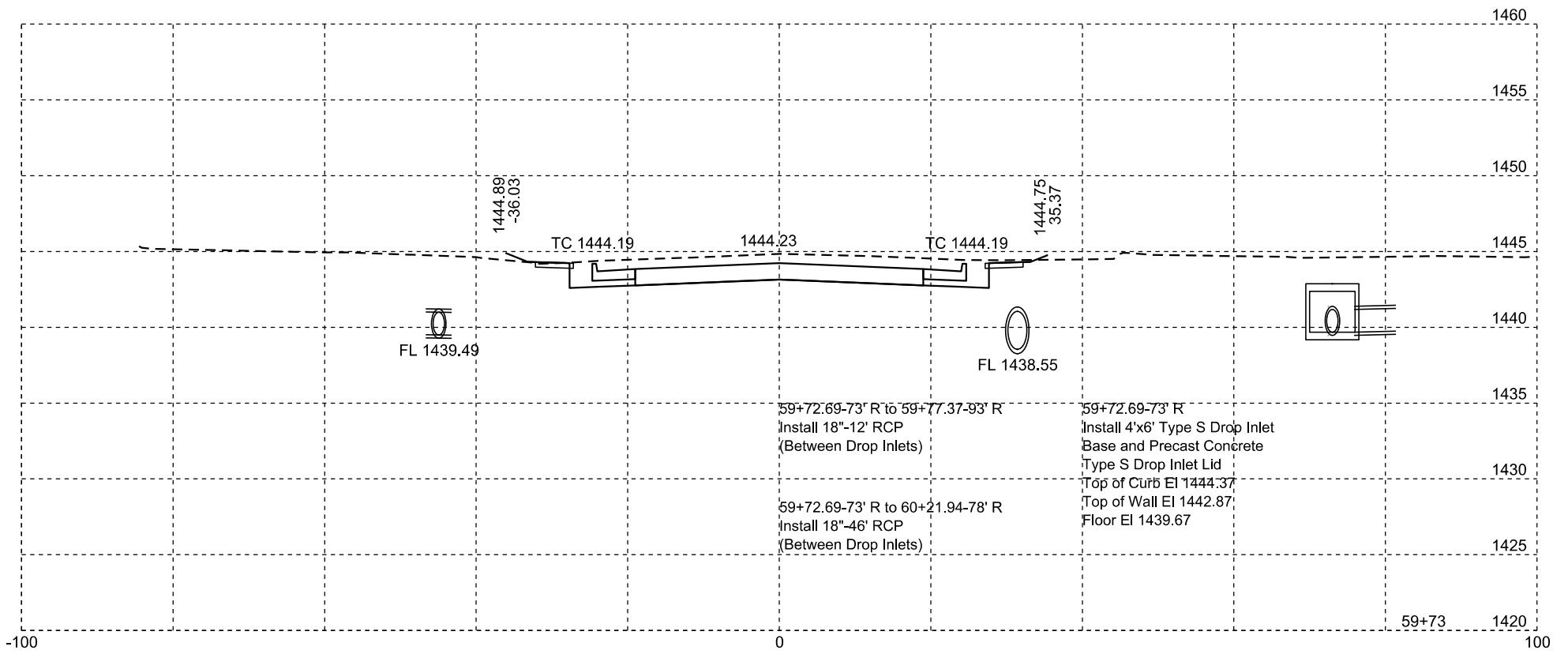
| | | | |
|-----------------------------|-------------------|--------------|-----------------|
| STATE OF SOUTH DAKOTA | PROJECT | SHEET NO. | TOTAL SHEETS |
| | NH-CR 0046(69)288 | X77 | X139 |

Plotting Date: 09/06/2024



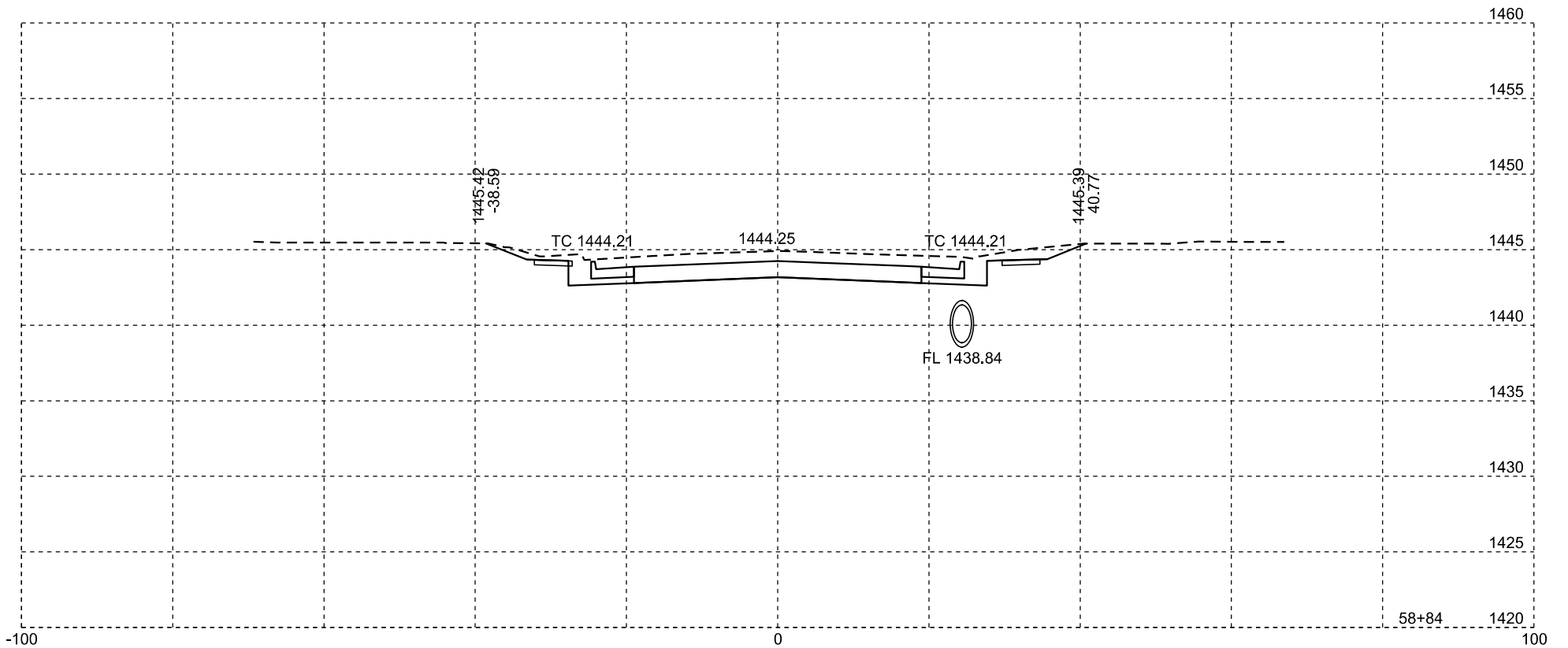
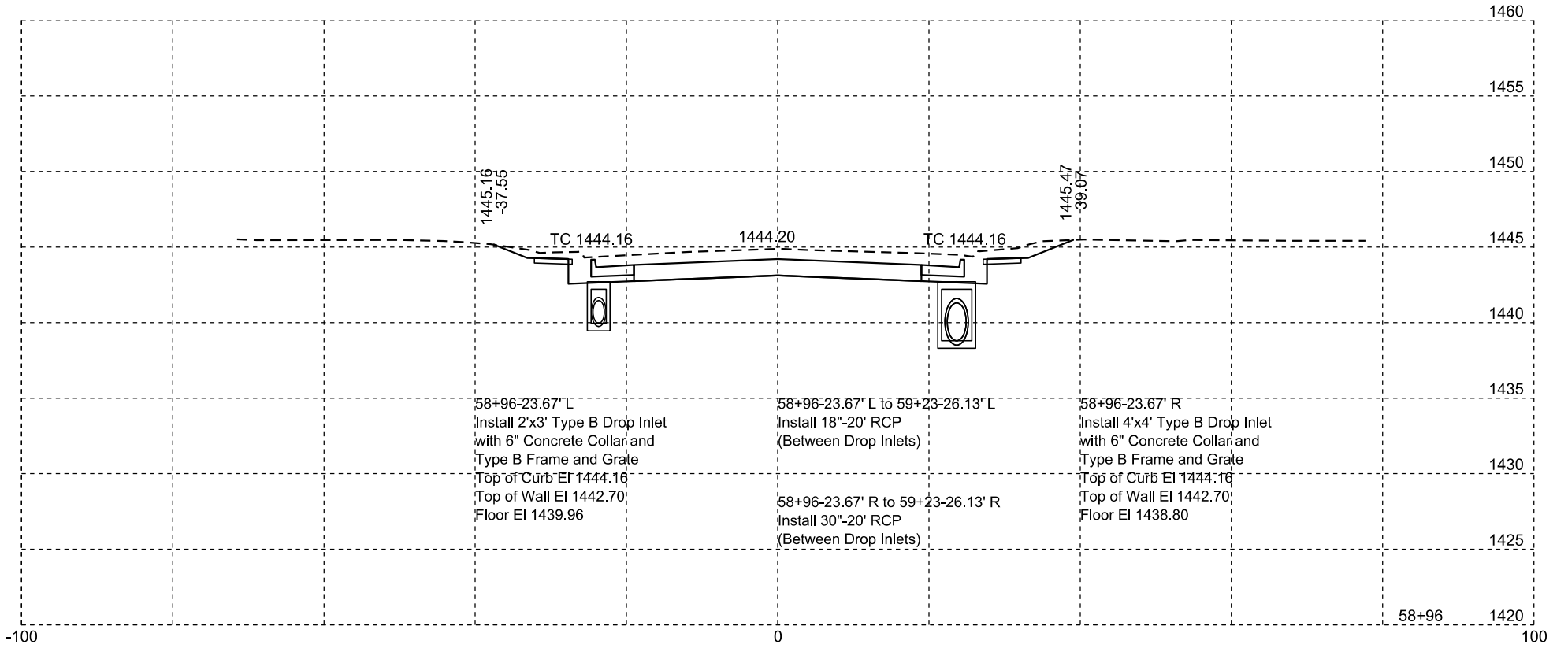
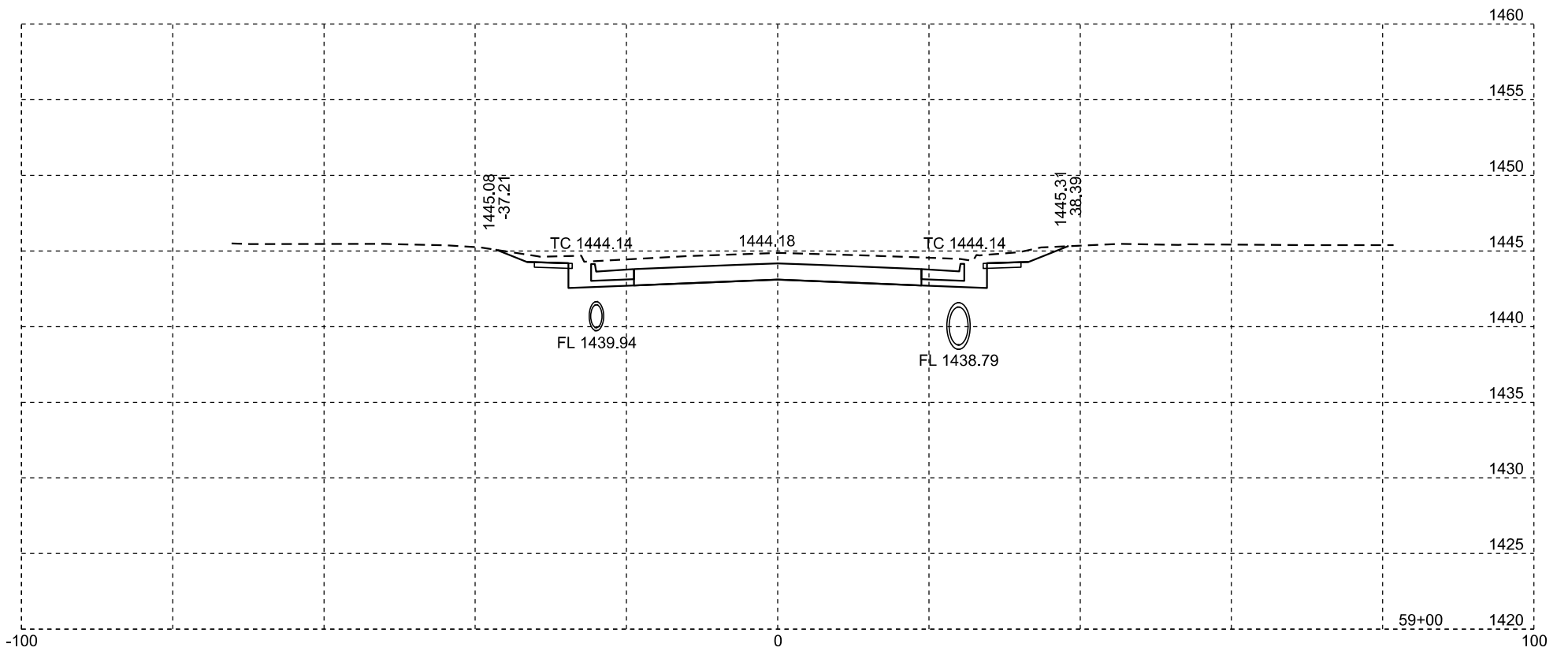
| STATE OF SOUTH DAKOTA | PROJECT | SHEET NO. | TOTAL SHEETS |
|-----------------------|-------------------|-----------|--------------|
| | NH-CR 0046(69)288 | X78 | X139 |

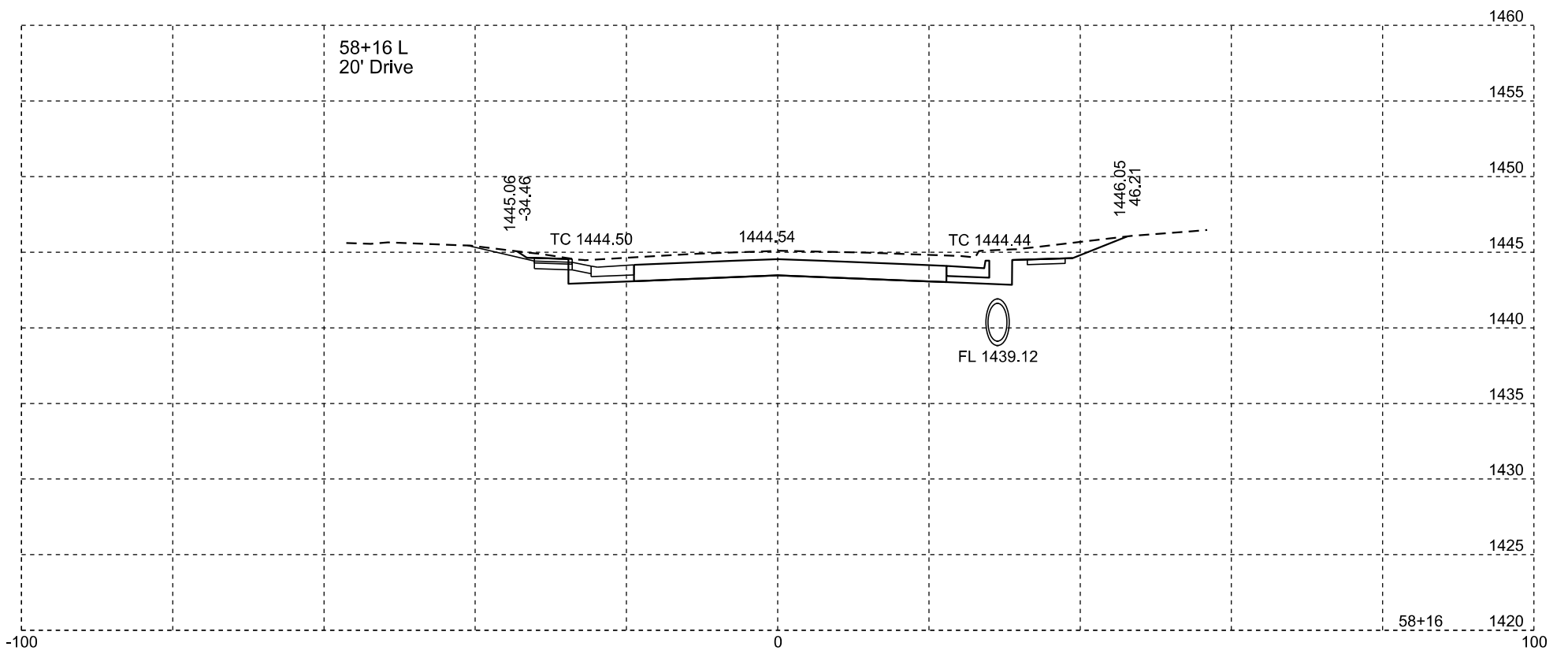
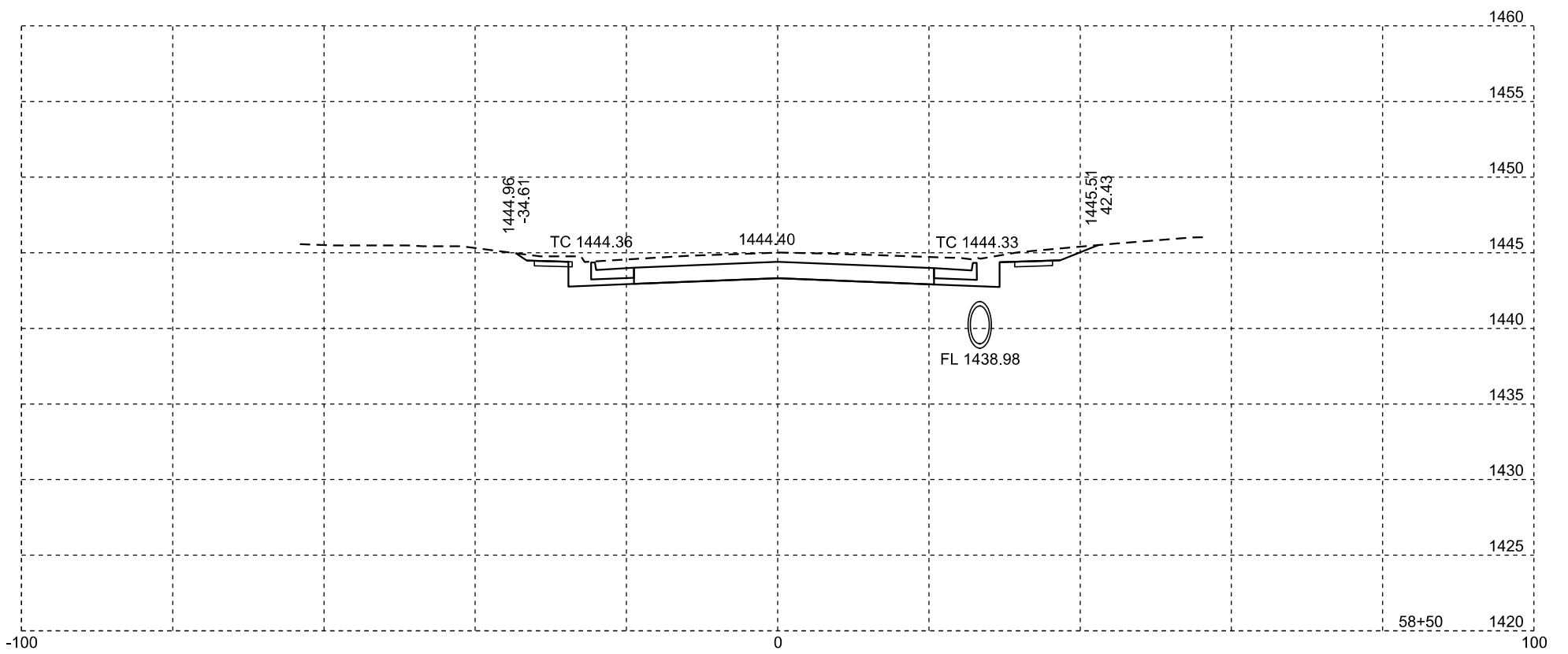
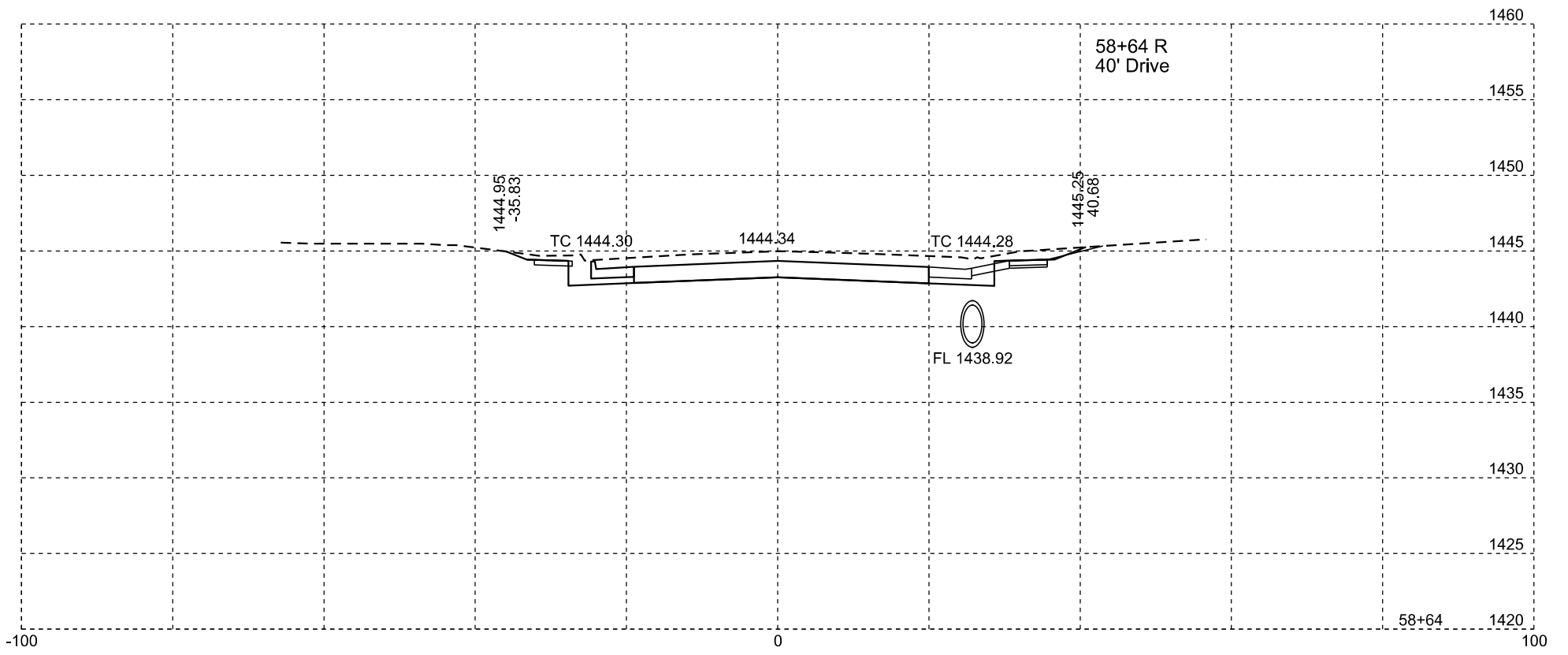
Plotting Date: 09/06/2024



Plotting Date: 09/06/2024

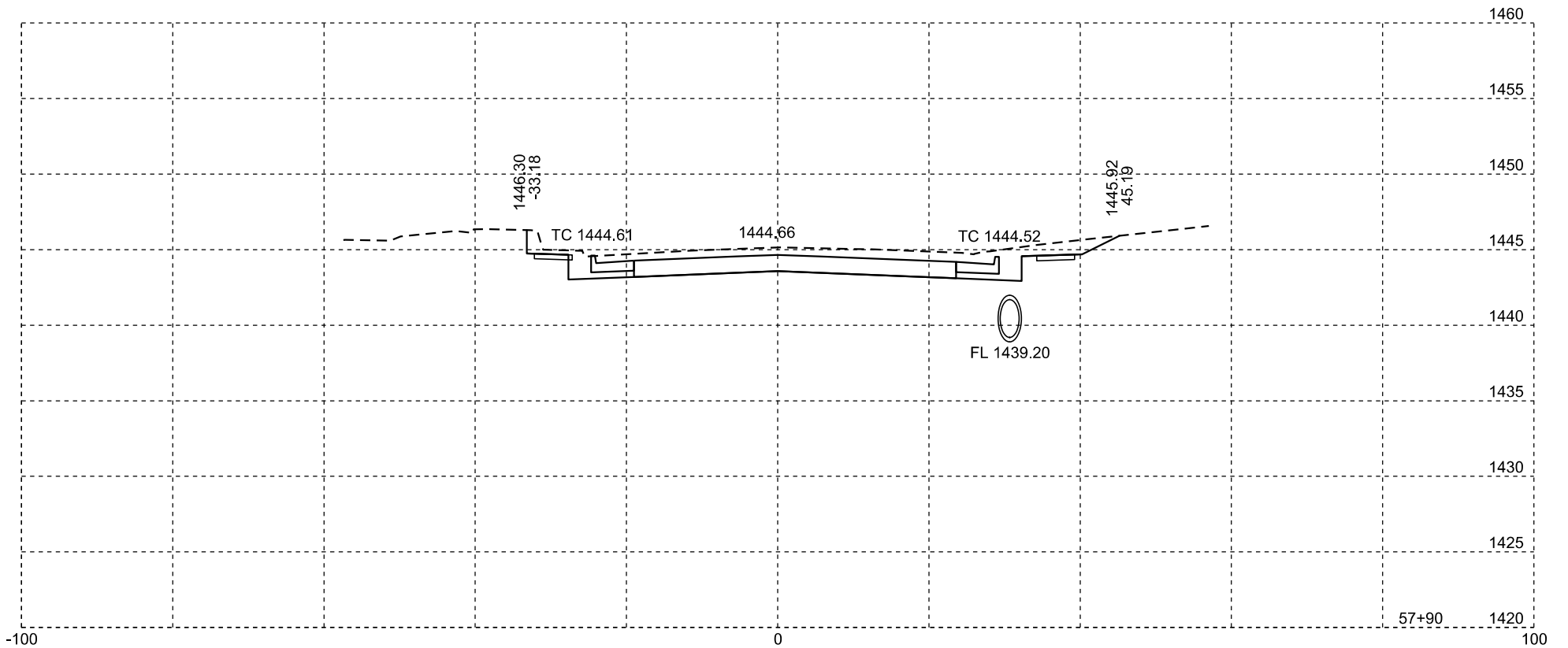
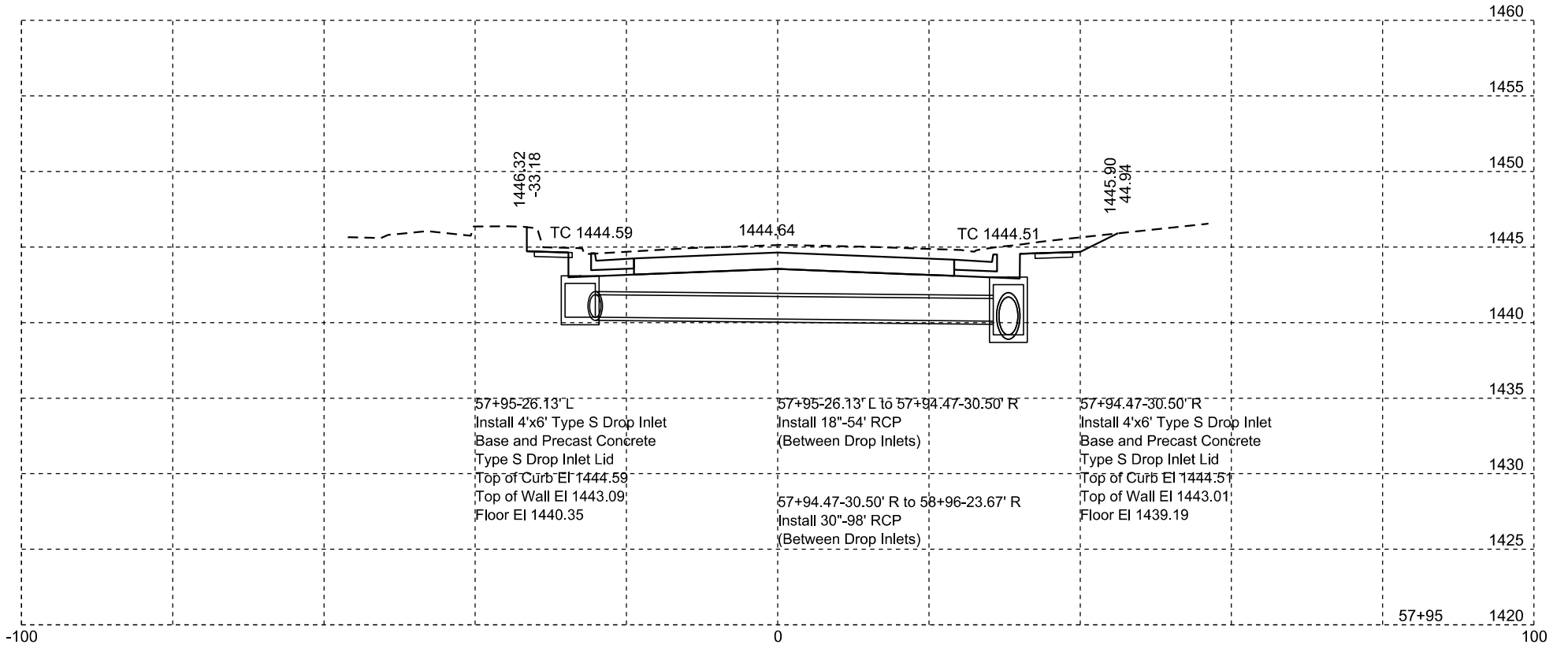
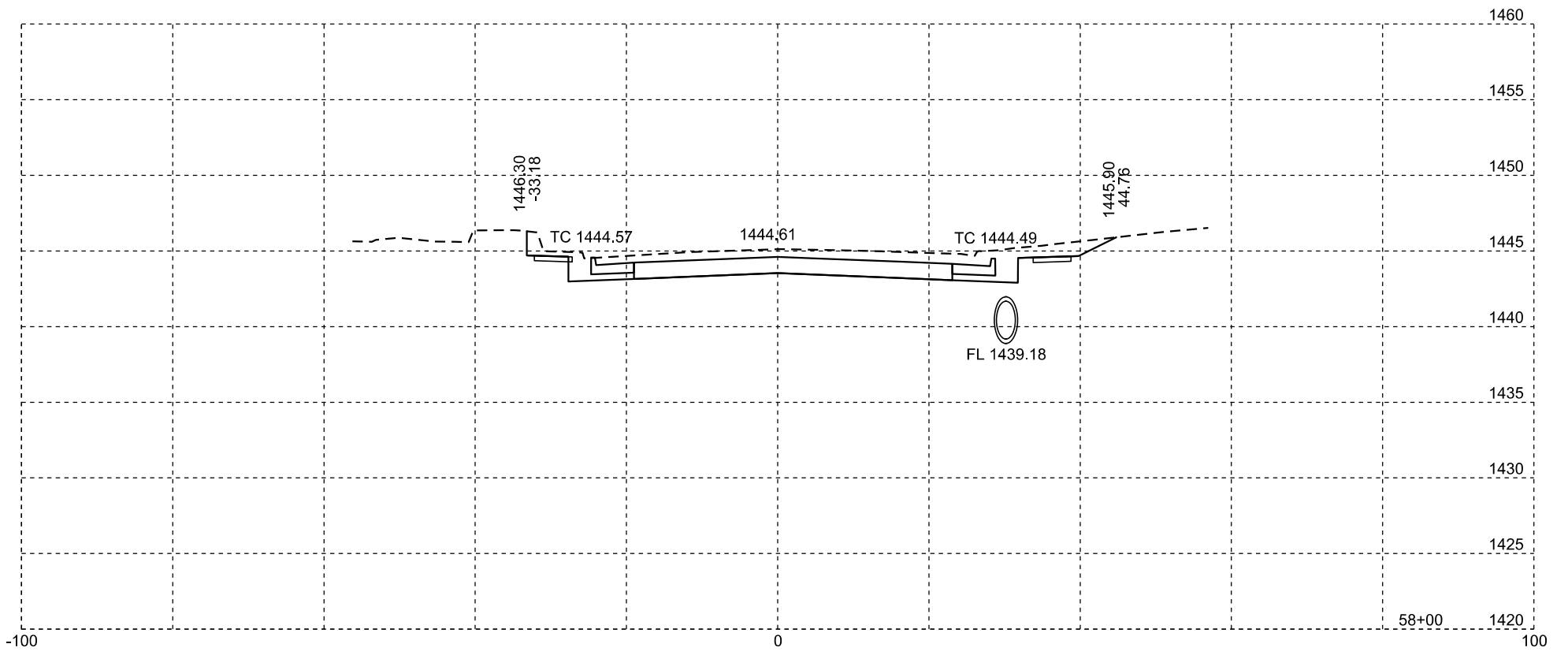
| | | | |
|-----------------------------|-------------------|--------------|-----------------|
| STATE OF SOUTH DAKOTA | PROJECT | SHEET NO. | TOTAL SHEETS |
| | NH-CR 0046(69)288 | X79 | X139 |

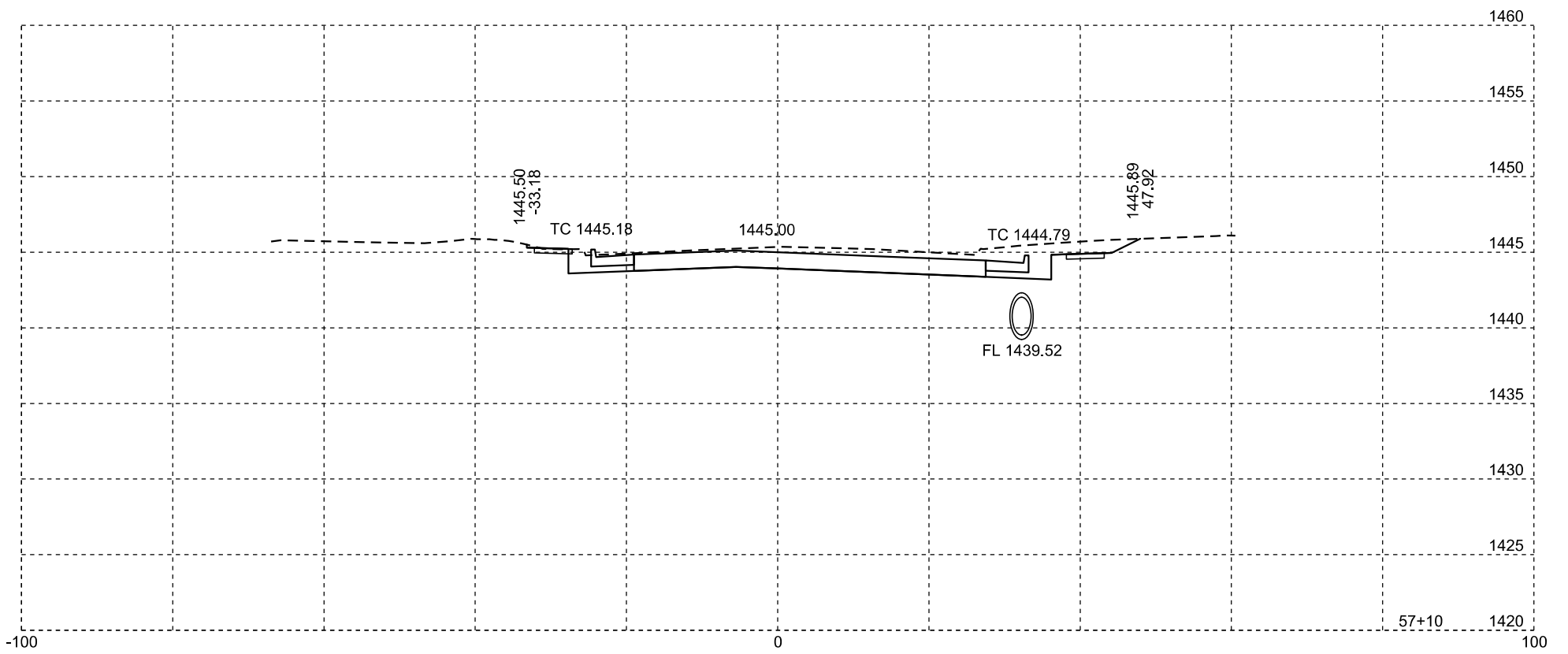
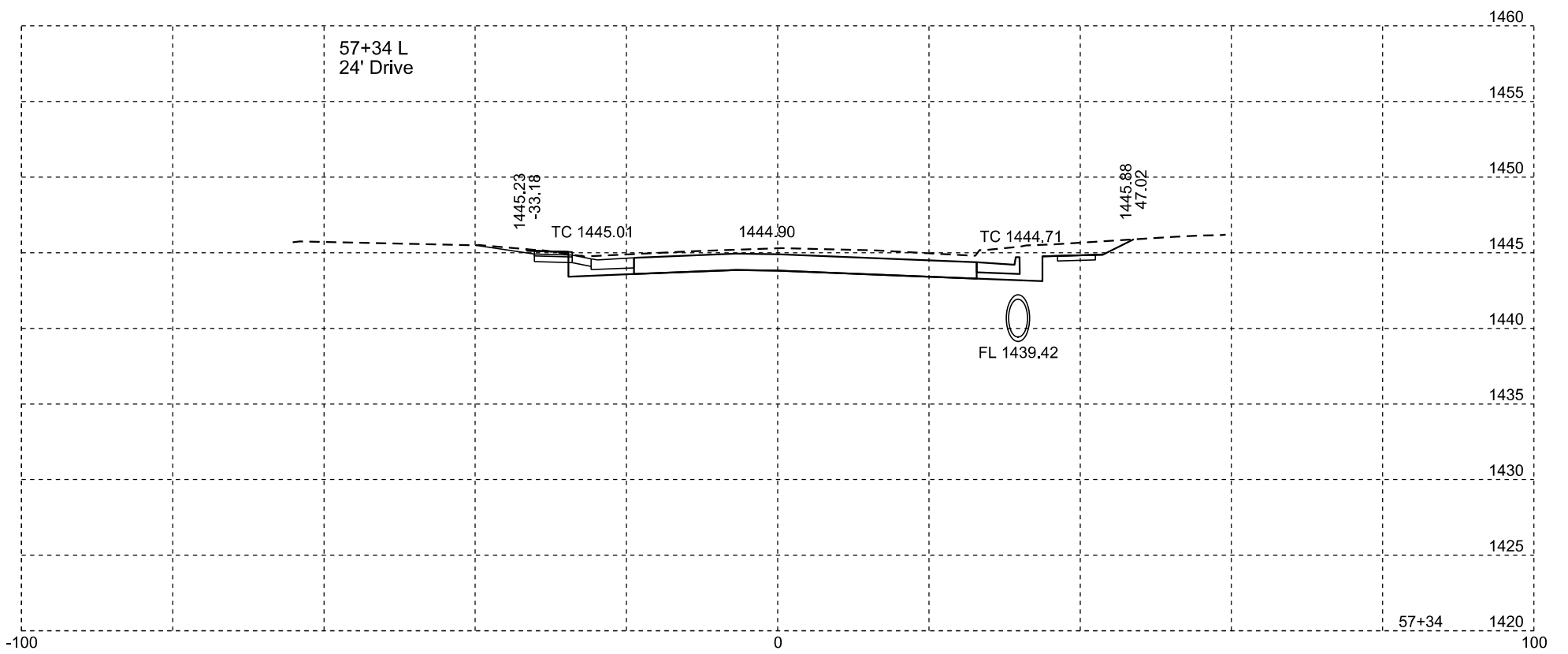
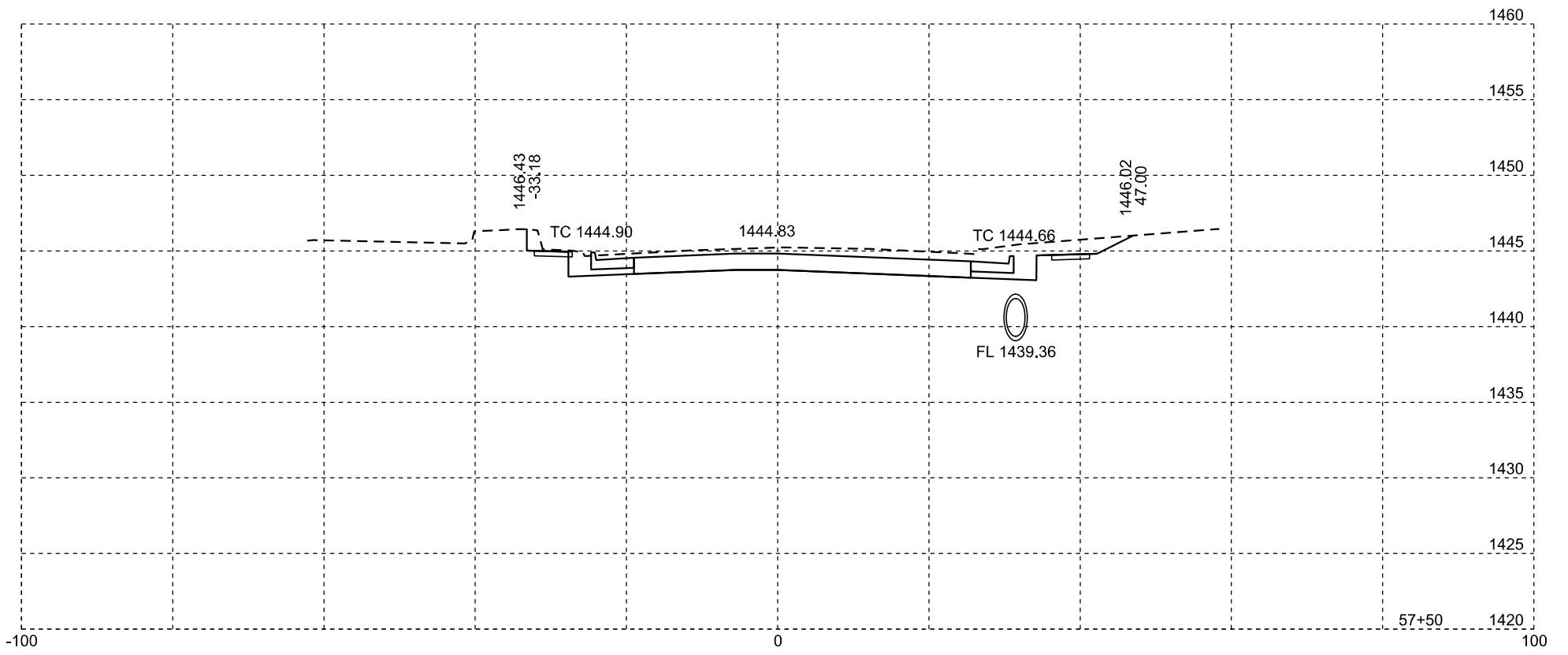




Plotting Date: 09/06/2024

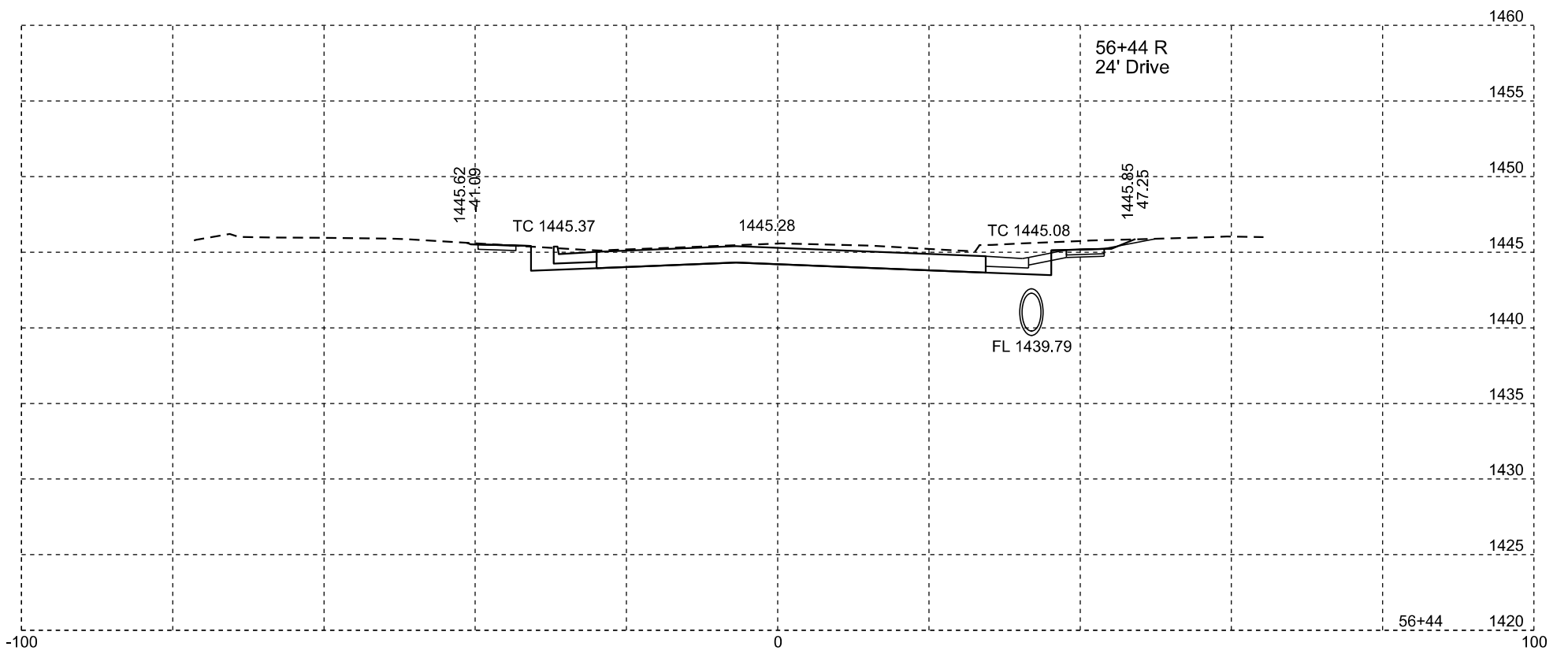
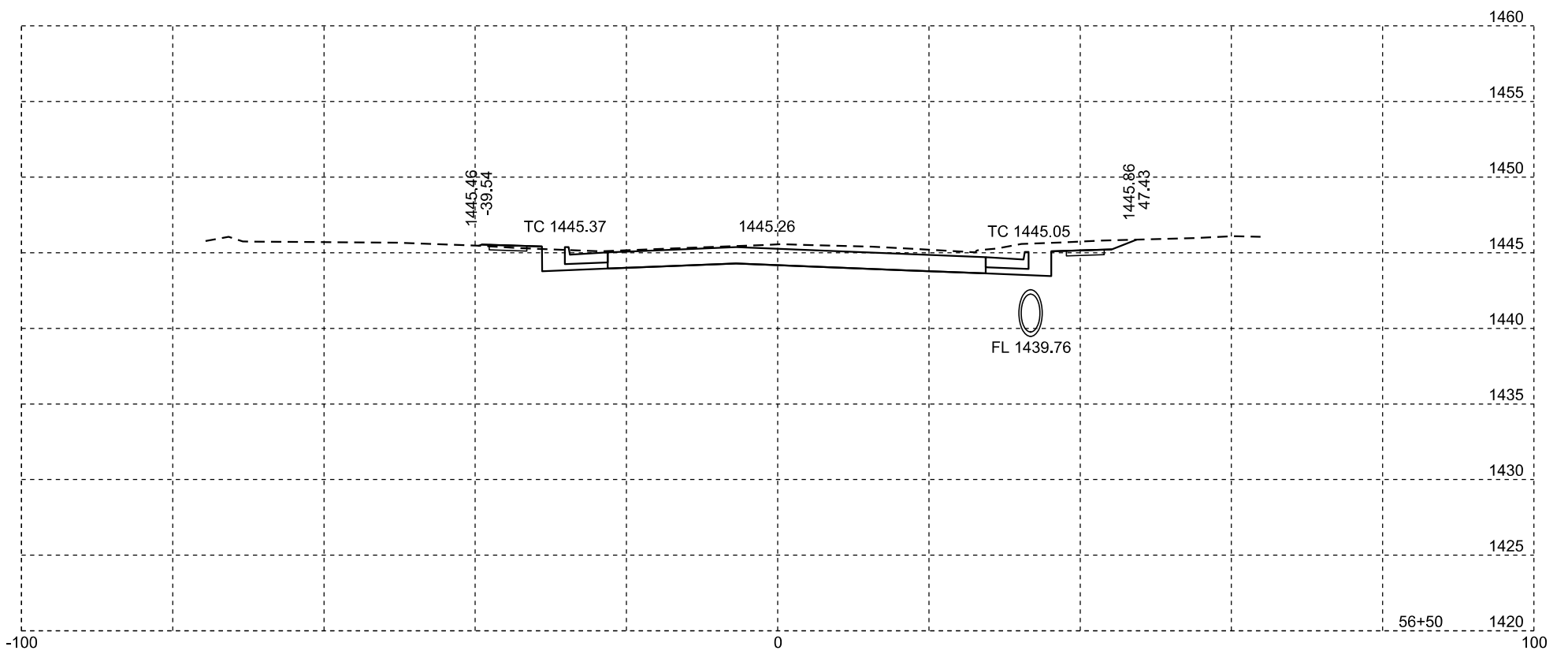
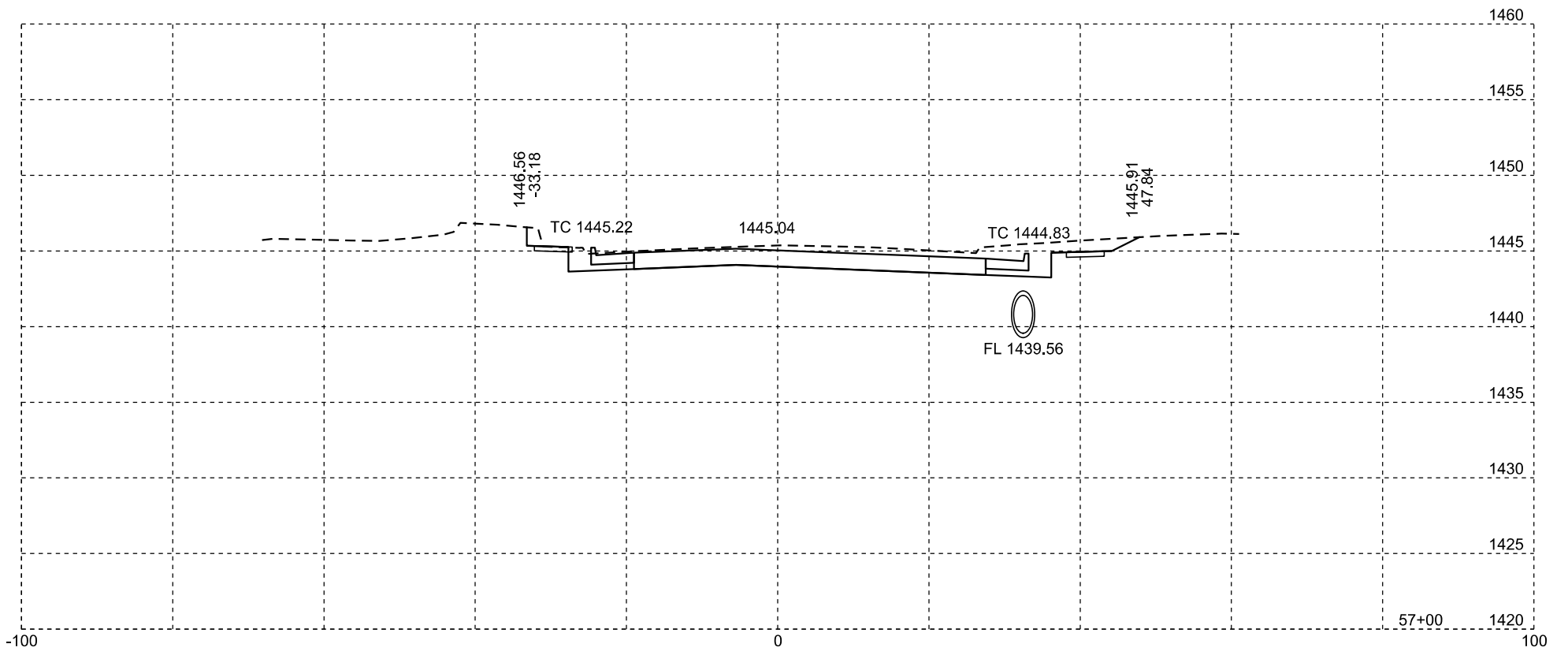
| | | | |
|-----------------------------|-------------------|--------------|-----------------|
| STATE OF SOUTH DAKOTA | PROJECT | SHEET NO. | TOTAL SHEETS |
| | NH-CR 0046(69)288 | X81 | X139 |





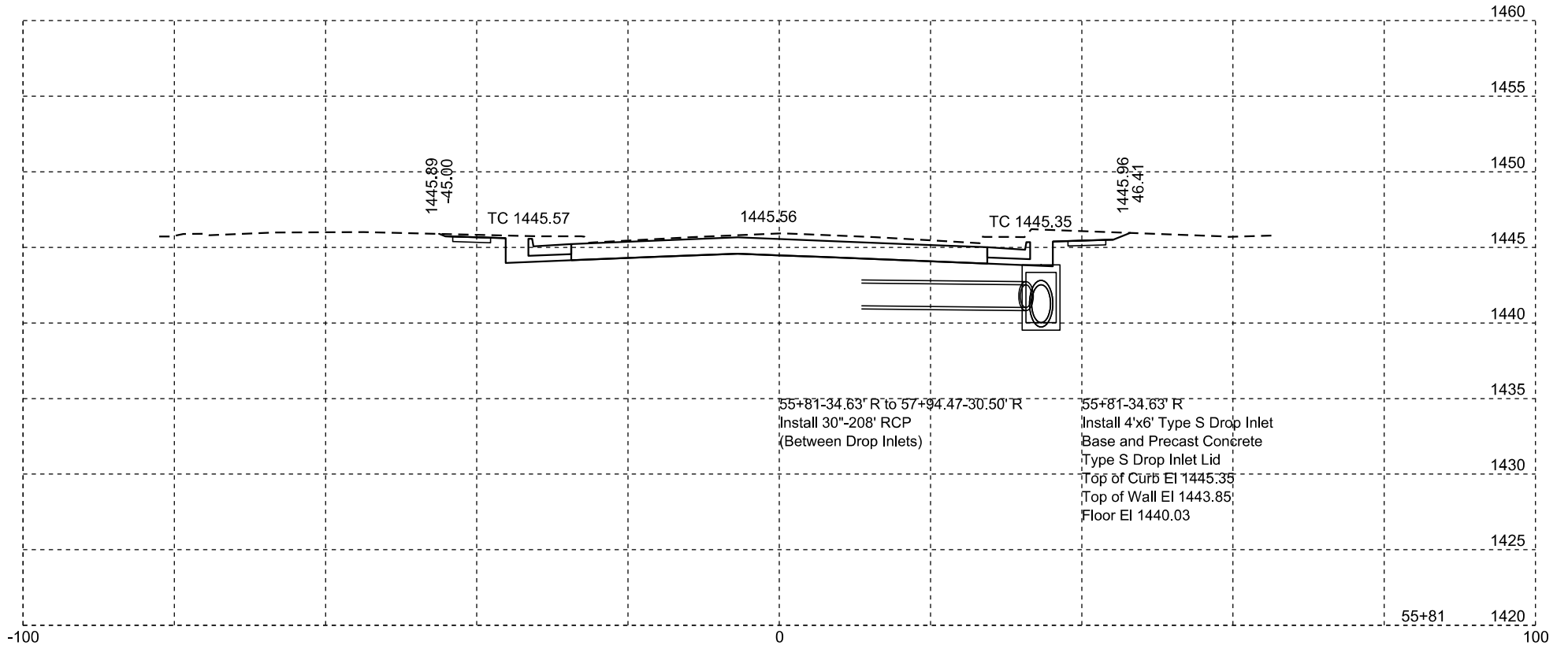
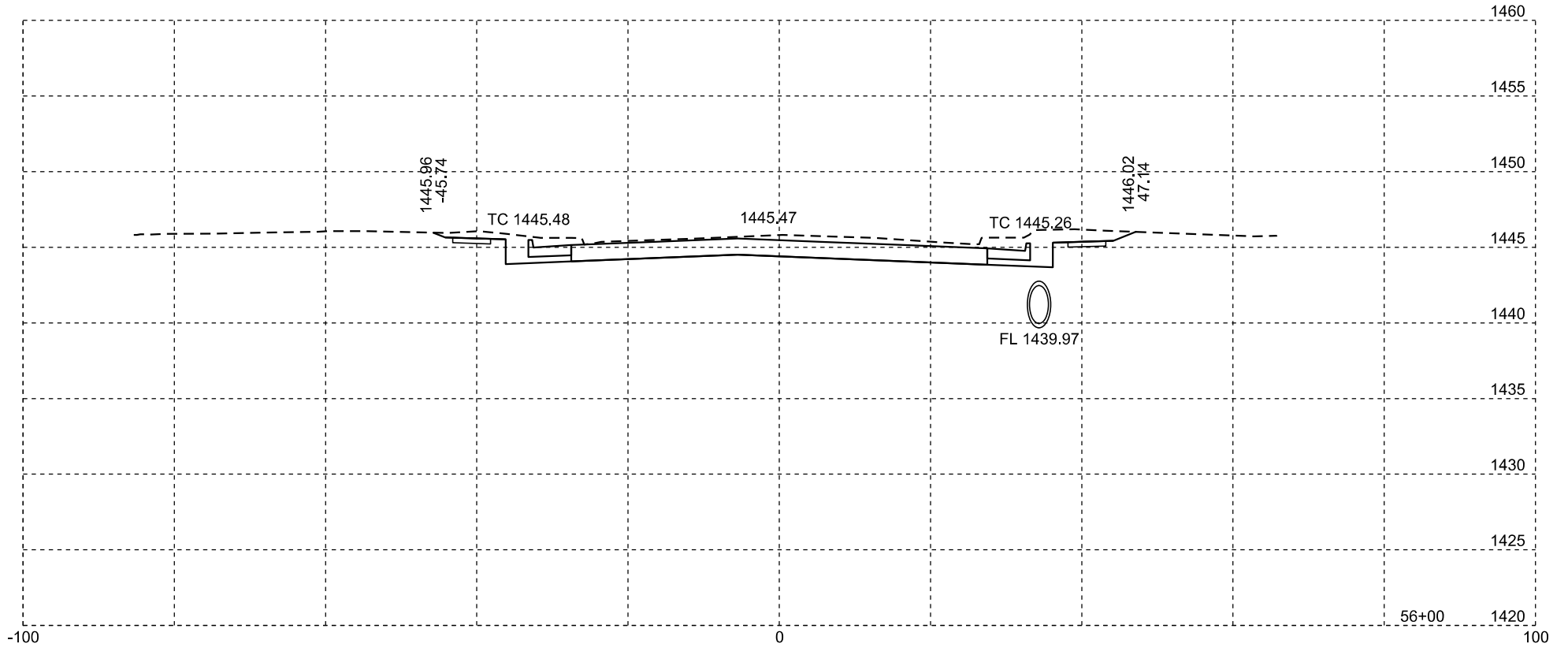
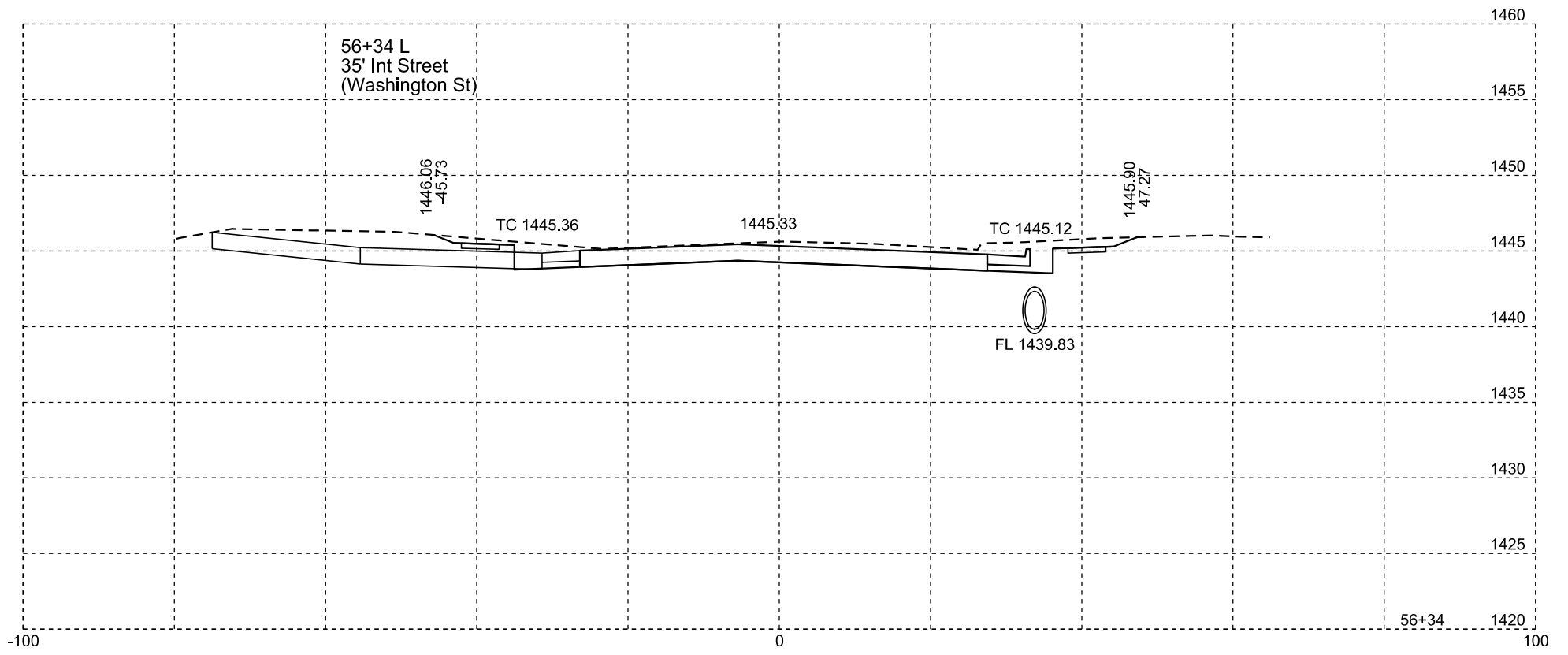
Plotting Date: 09/06/2024

| | | | |
|-----------------------------|-------------------|--------------|-----------------|
| STATE OF SOUTH DAKOTA | PROJECT | SHEET NO. | TOTAL SHEETS |
| | NH-CR 0046(69)288 | X83 | X139 |



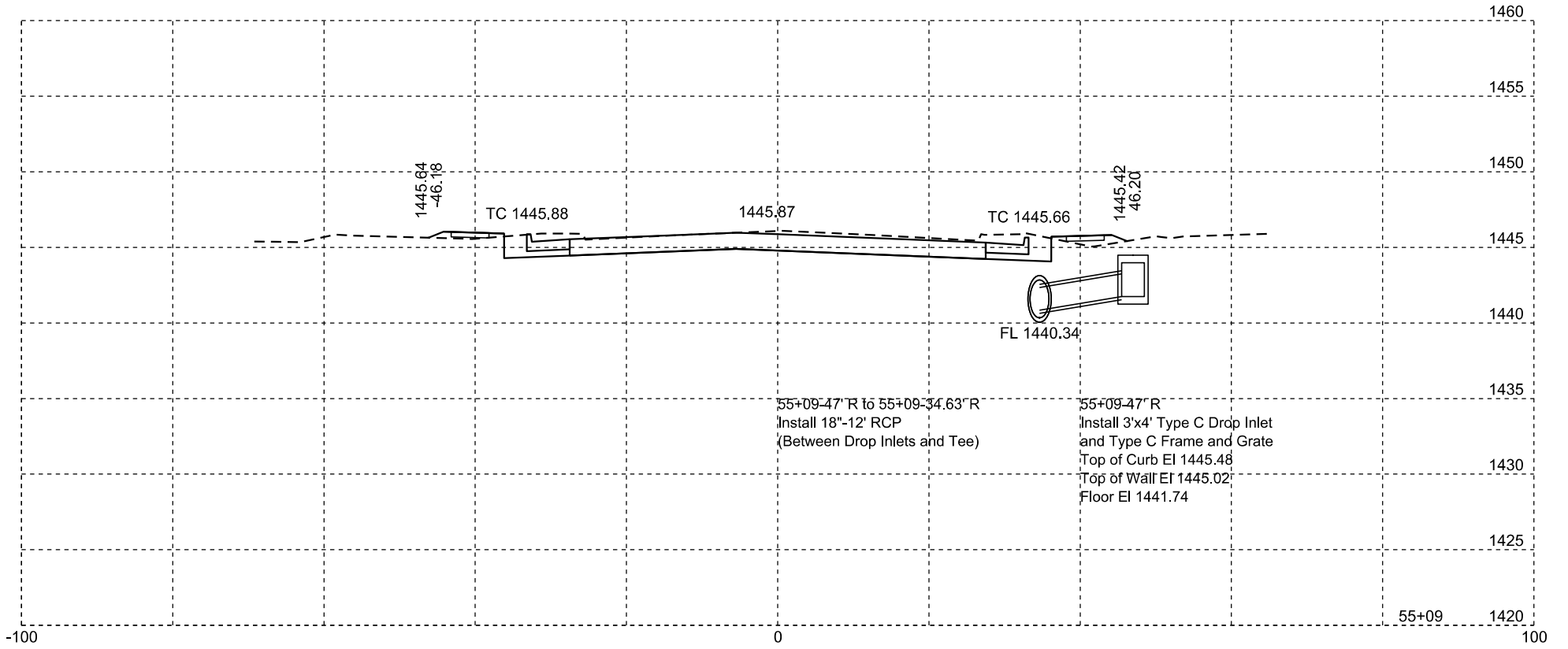
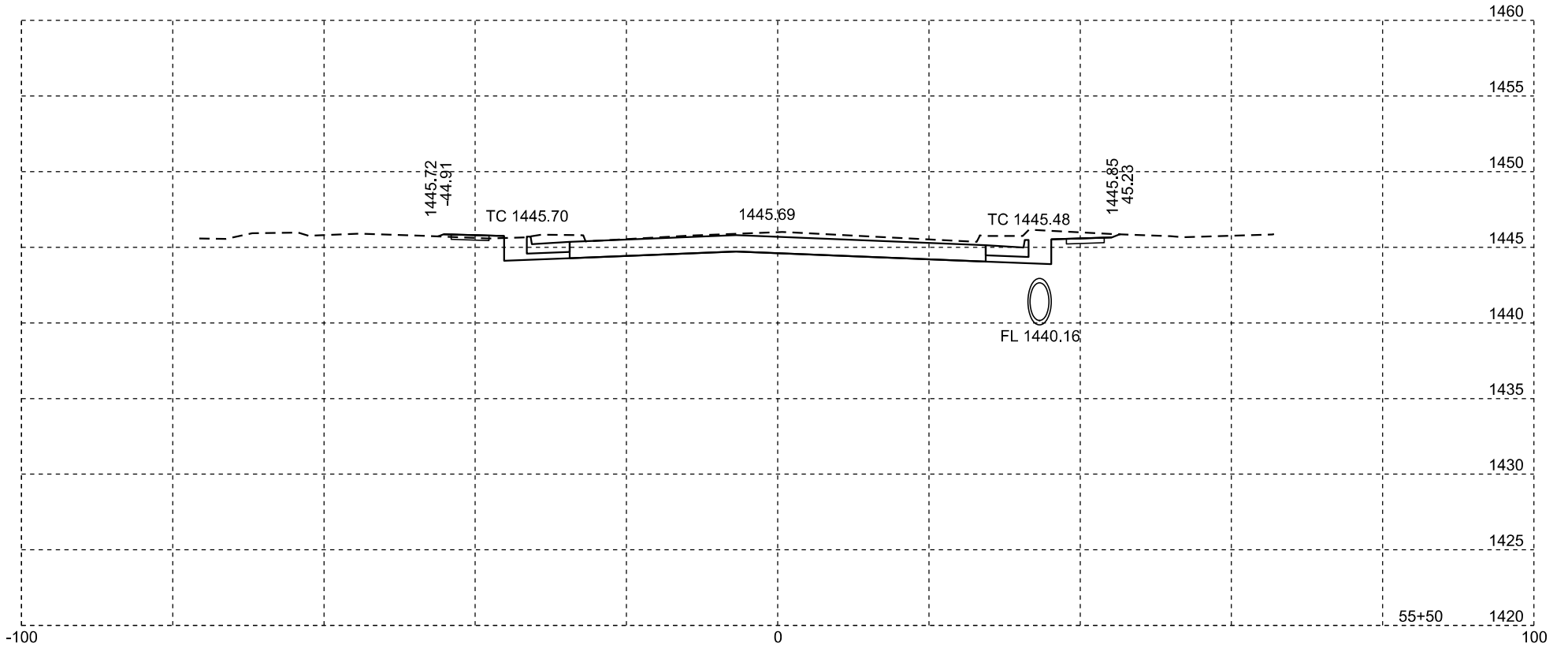
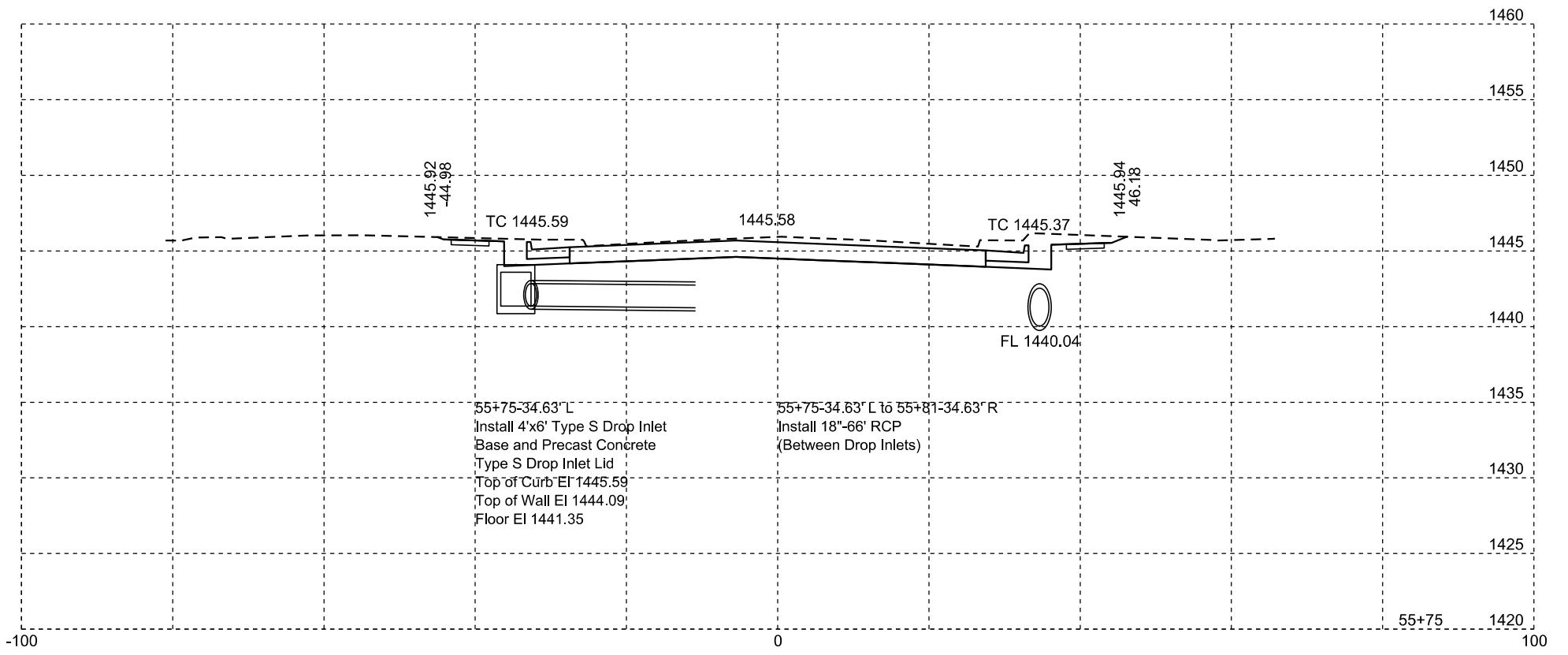
Plotting Date: 09/06/2024

| | | | |
|-----------------------------|-------------------|--------------|-----------------|
| STATE OF SOUTH DAKOTA | PROJECT | SHEET NO. | TOTAL SHEETS |
| | NH-CR 0046(69)288 | X84 | X139 |



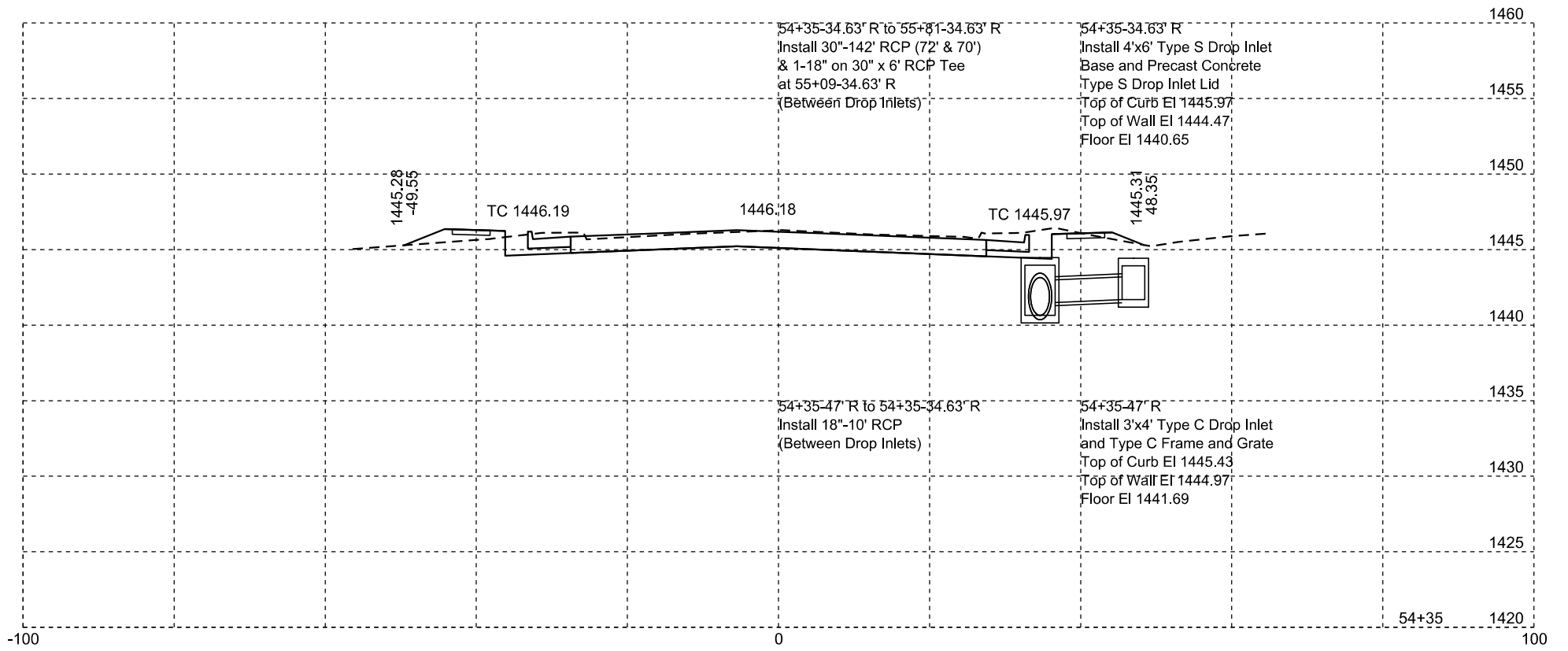
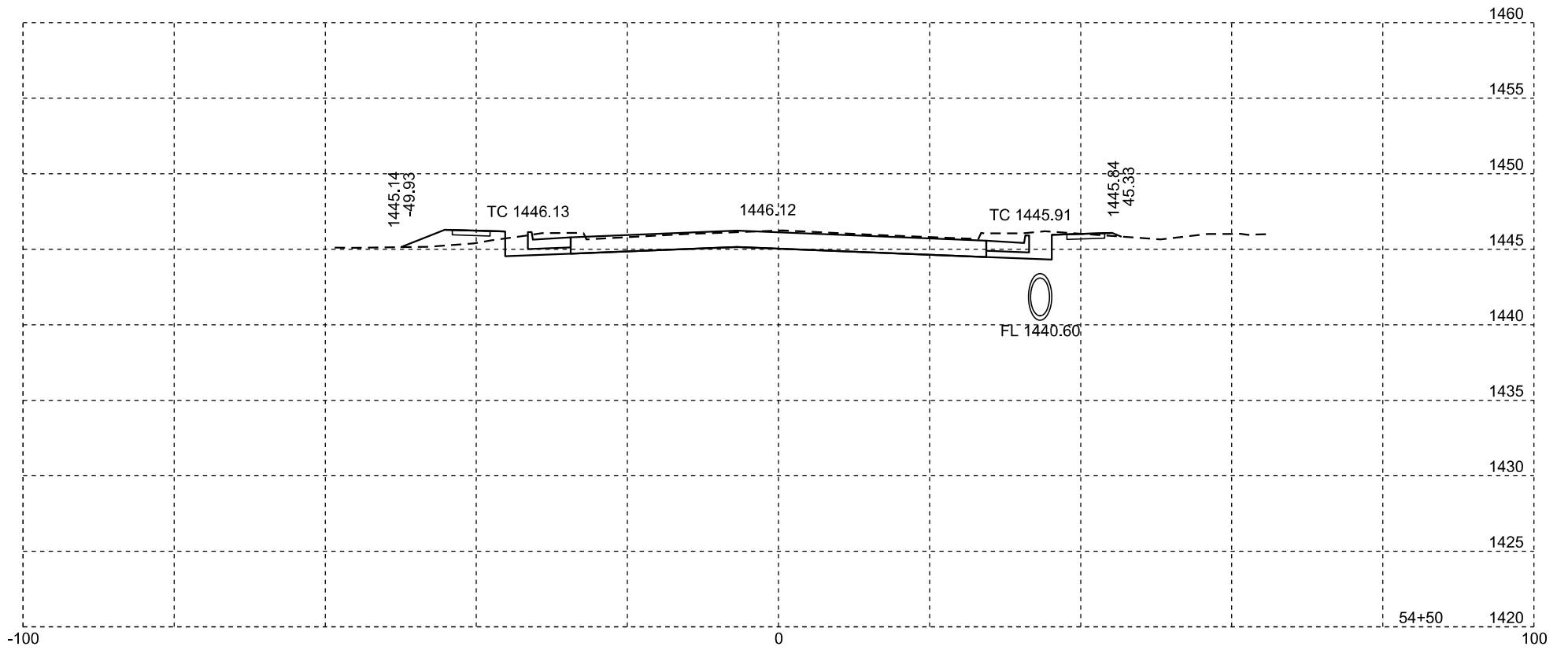
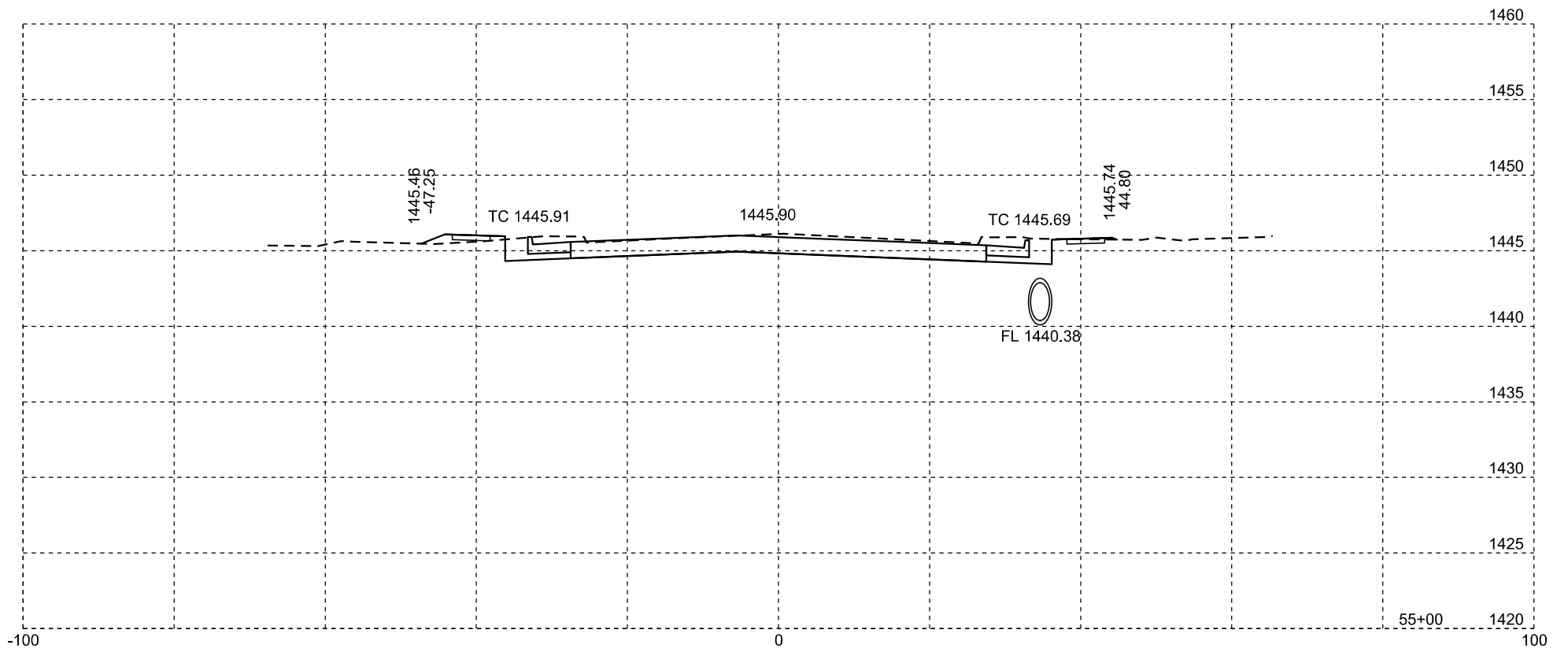
Plotting Date: 09/06/2024

| | | | |
|-----------------------------|-------------------|--------------|-----------------|
| STATE OF SOUTH DAKOTA | PROJECT | SHEET NO. | TOTAL SHEETS |
| | NH-CR 0046(69)288 | X85 | X139 |



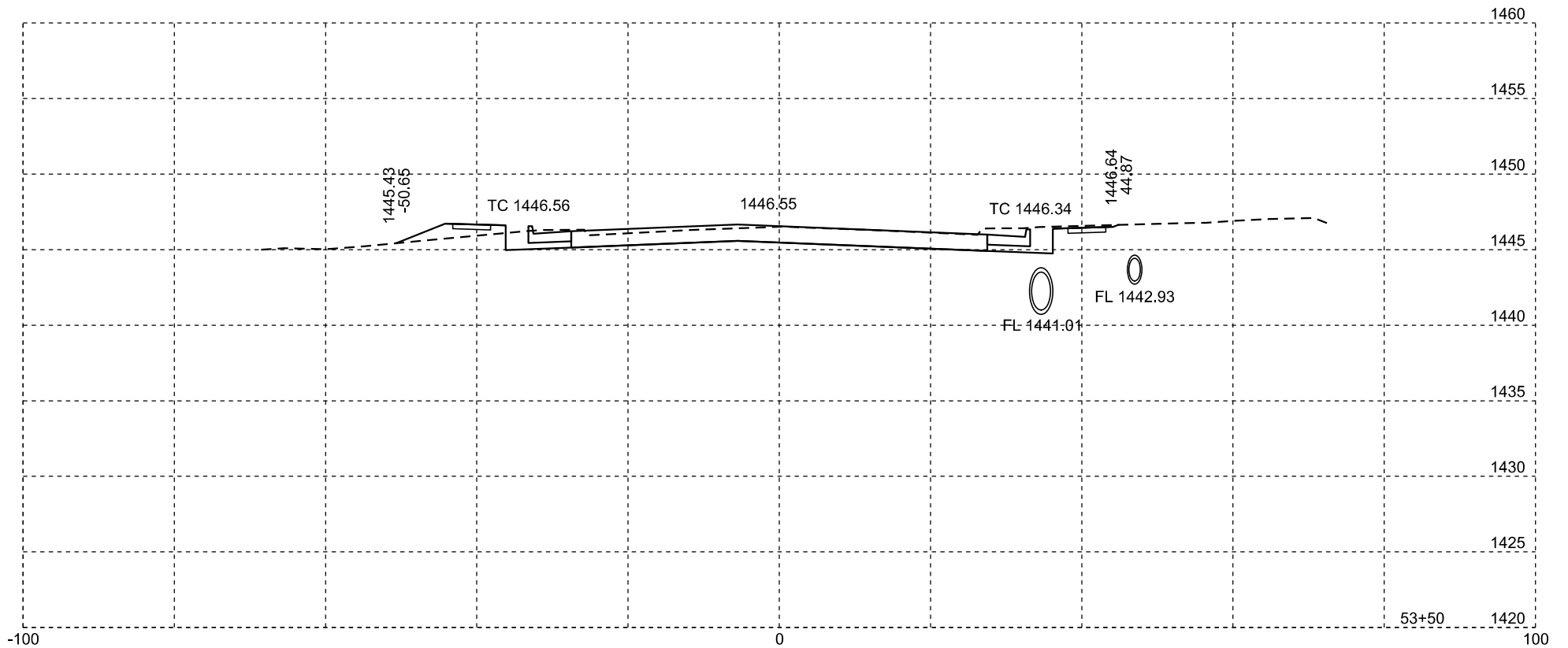
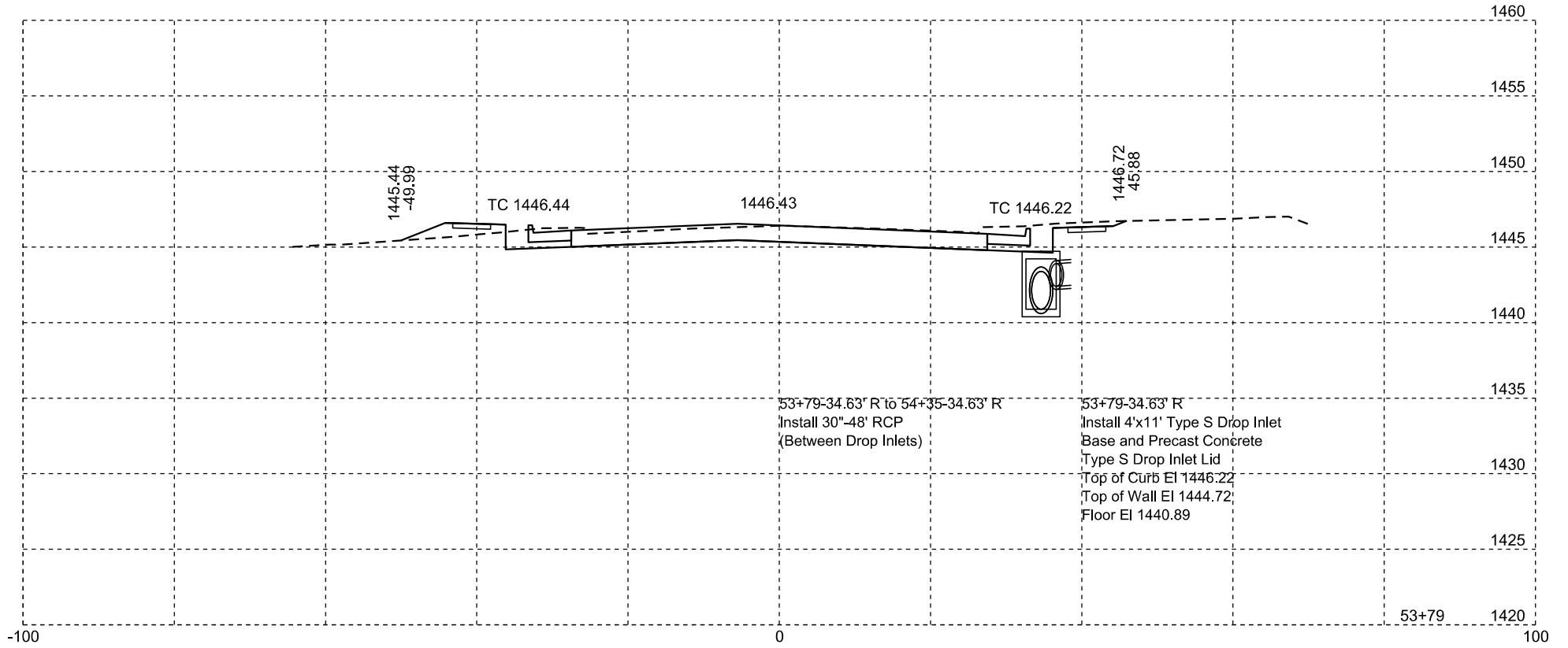
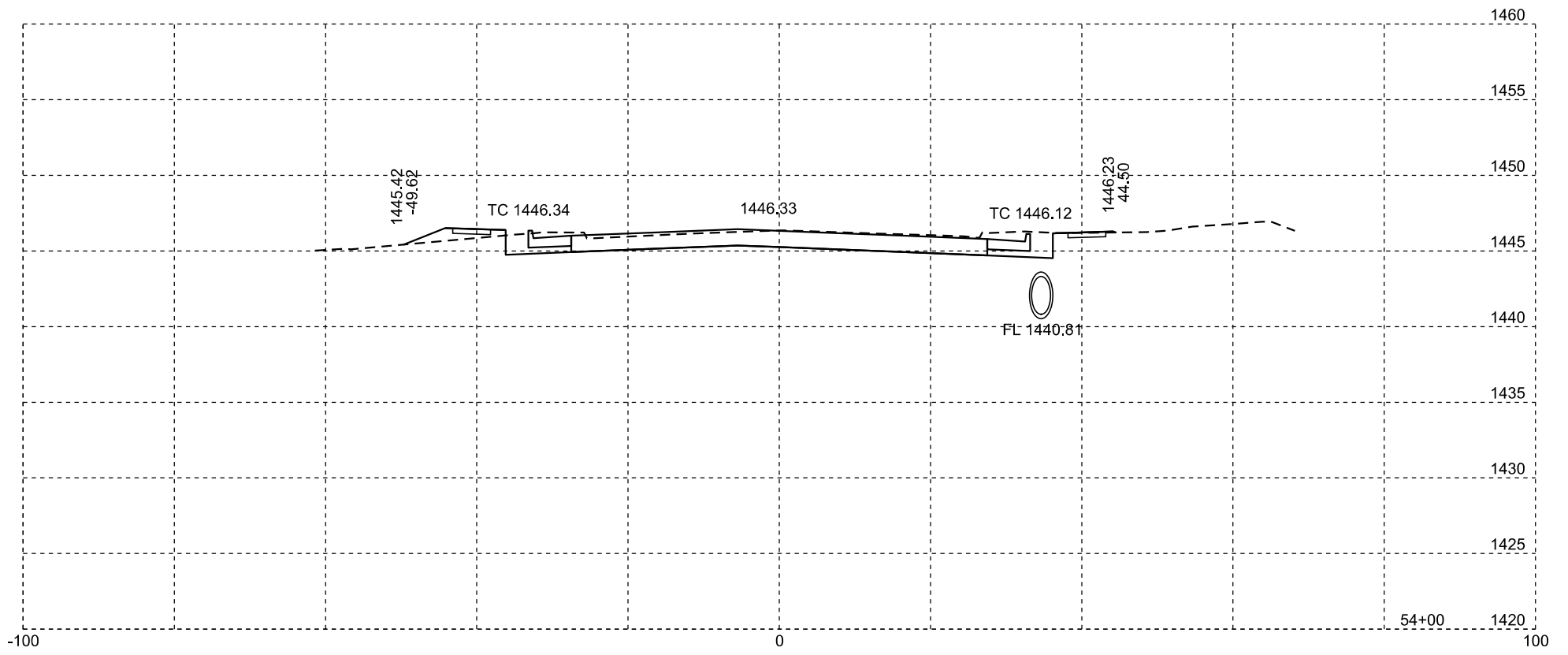
Plotting Date: 09/06/2024

| | | | |
|-----------------------------|-------------------|--------------|-----------------|
| STATE OF SOUTH DAKOTA | PROJECT | SHEET NO. | TOTAL SHEETS |
| | NH-CR 0046(69)288 | X86 | X139 |



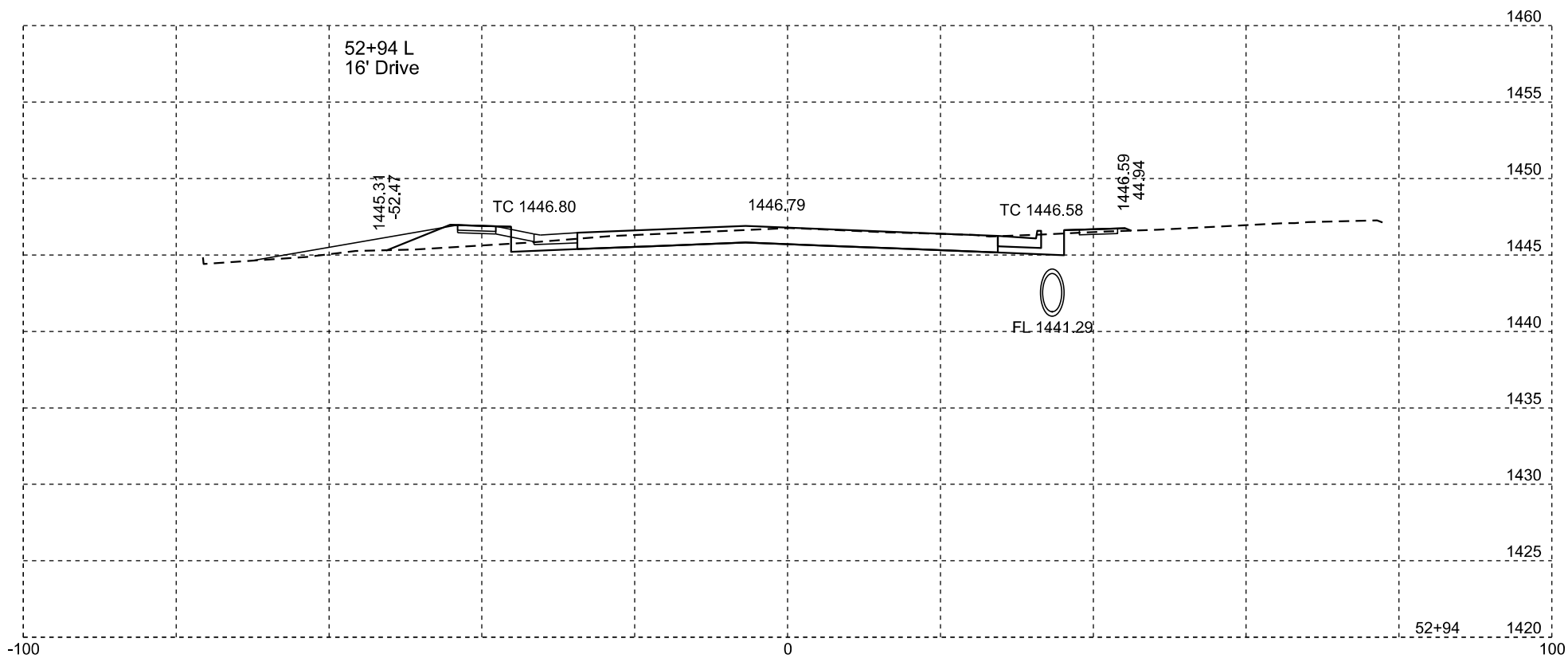
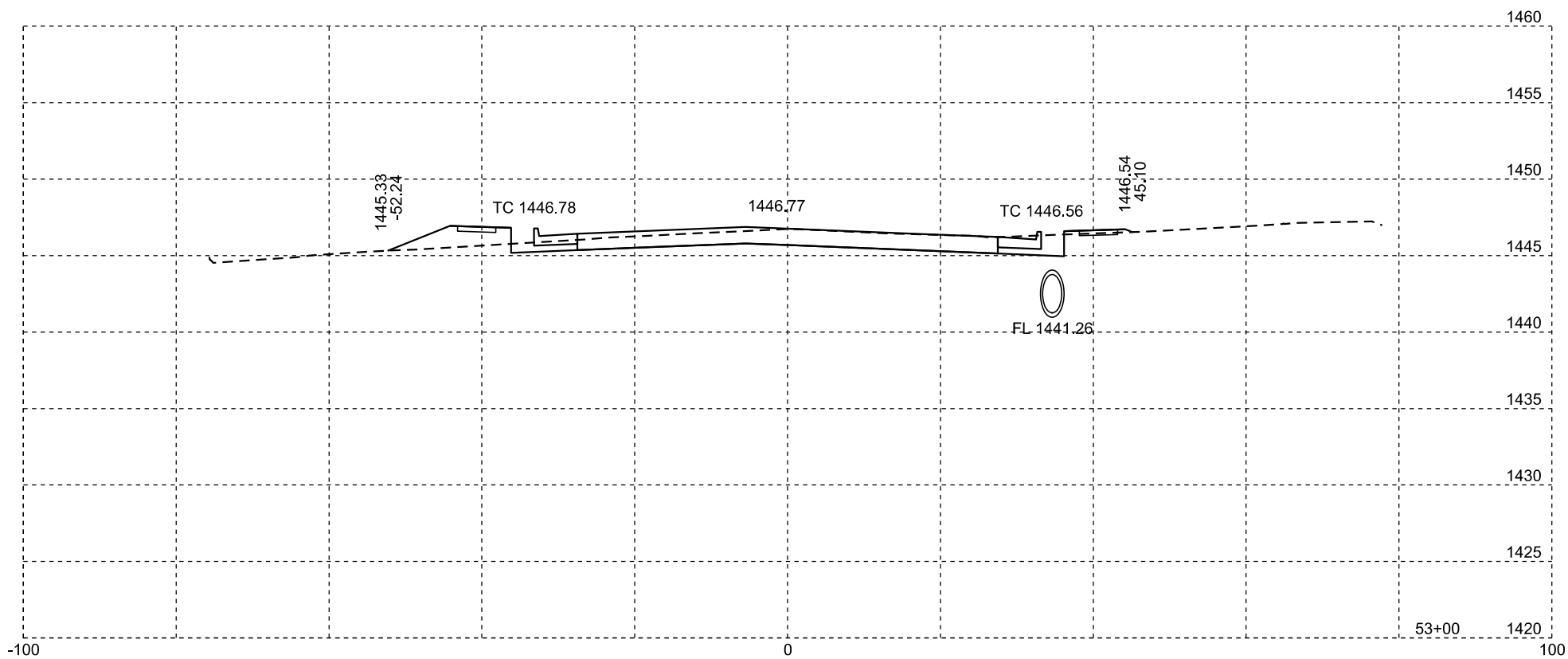
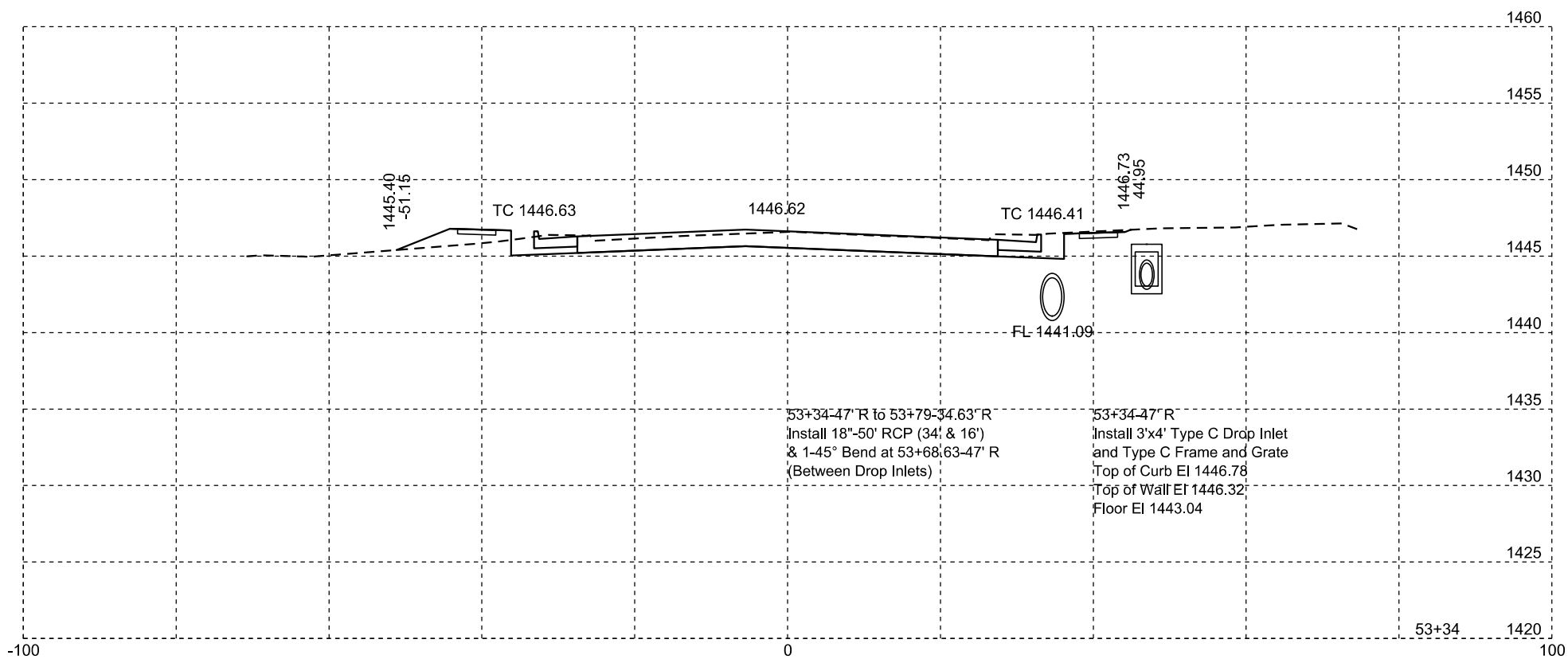
Plotting Date: 09/06/2024

| | | | |
|-----------------------------|-------------------|--------------|-----------------|
| STATE OF SOUTH DAKOTA | PROJECT | SHEET NO. | TOTAL SHEETS |
| | NH-CR 0046(69)288 | X87 | X139 |



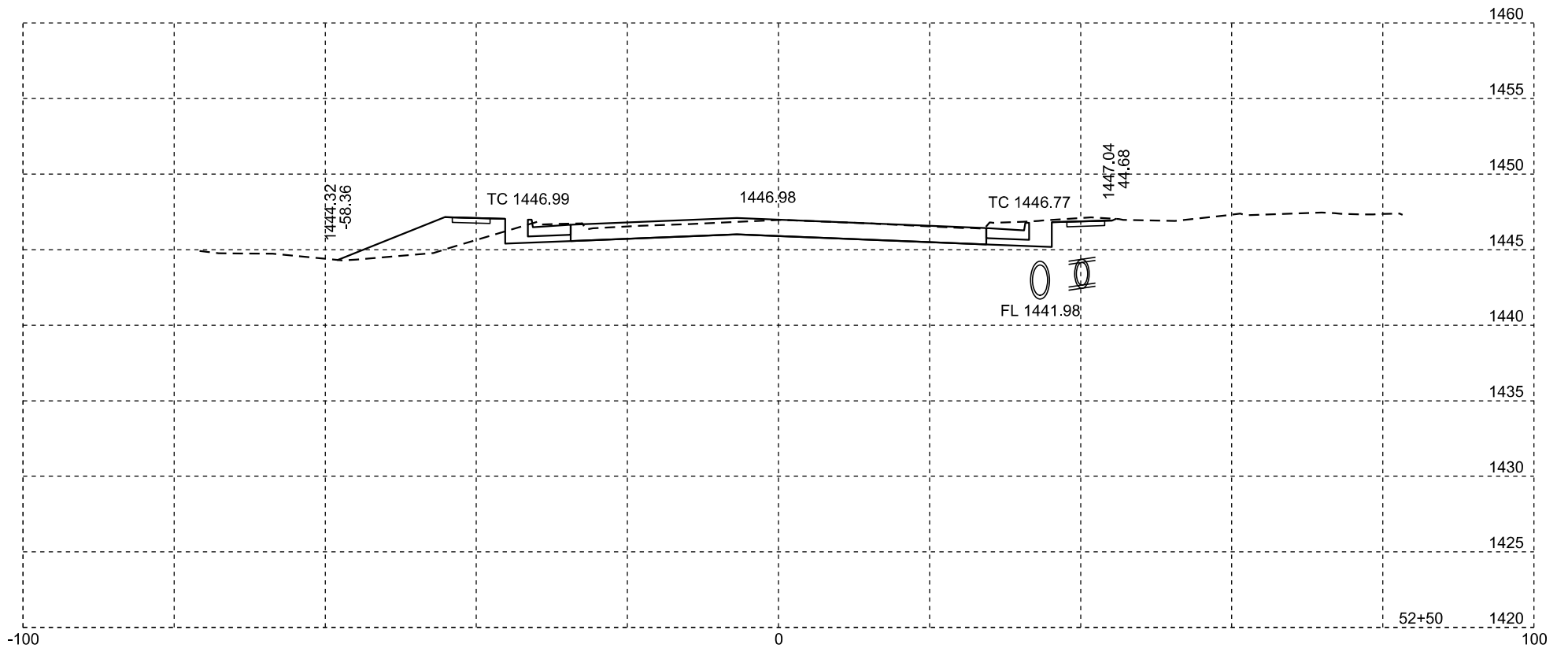
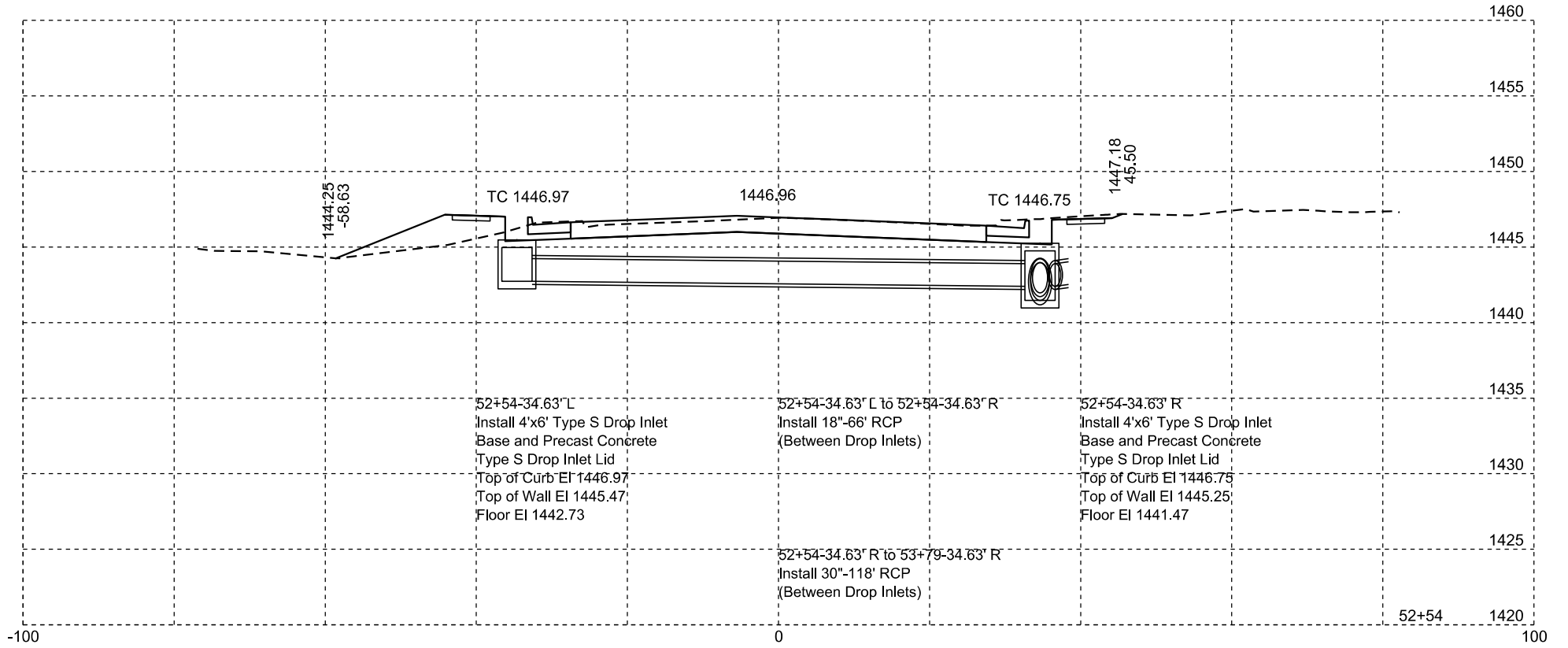
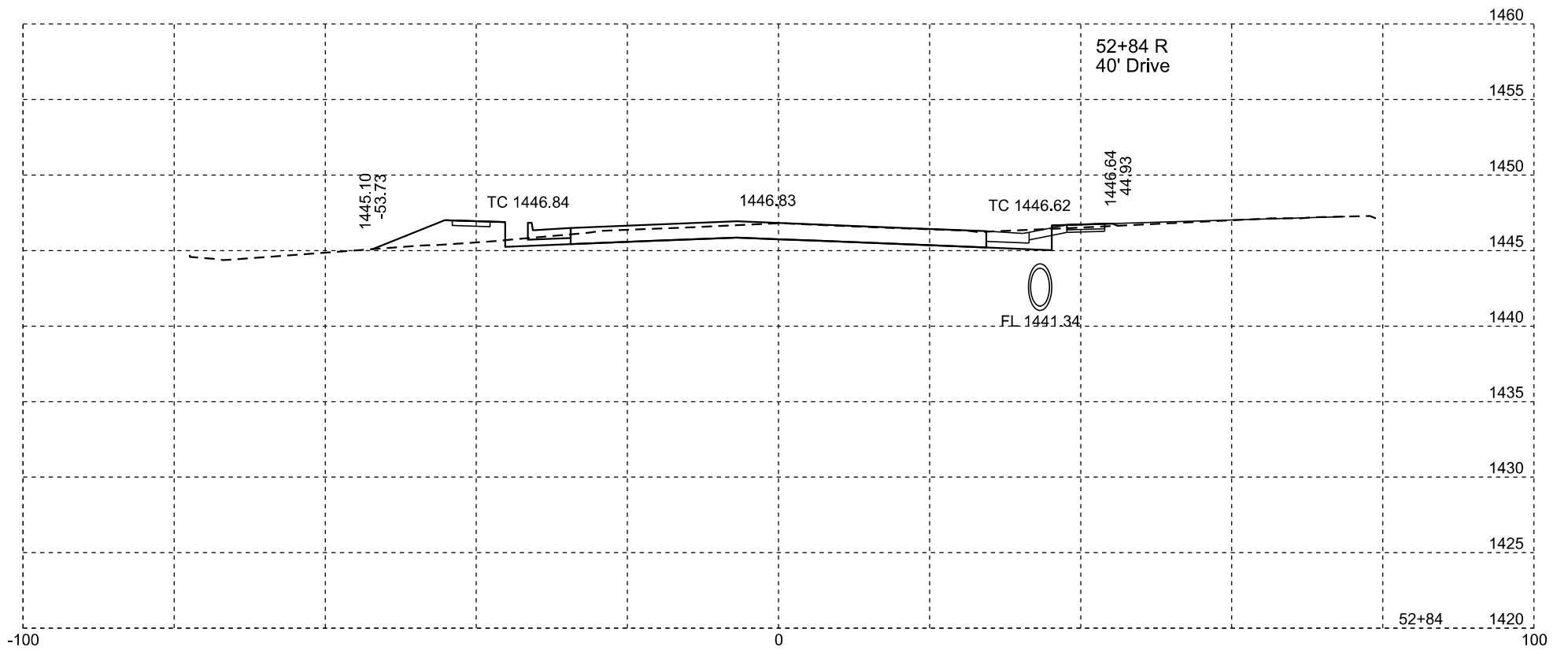
Plotting Date: 09/06/2024

| | | | |
|-----------------------------|-------------------|--------------|-----------------|
| STATE OF SOUTH DAKOTA | PROJECT | SHEET NO. | TOTAL SHEETS |
| | NH-CR 0046(69)288 | X88 | X139 |



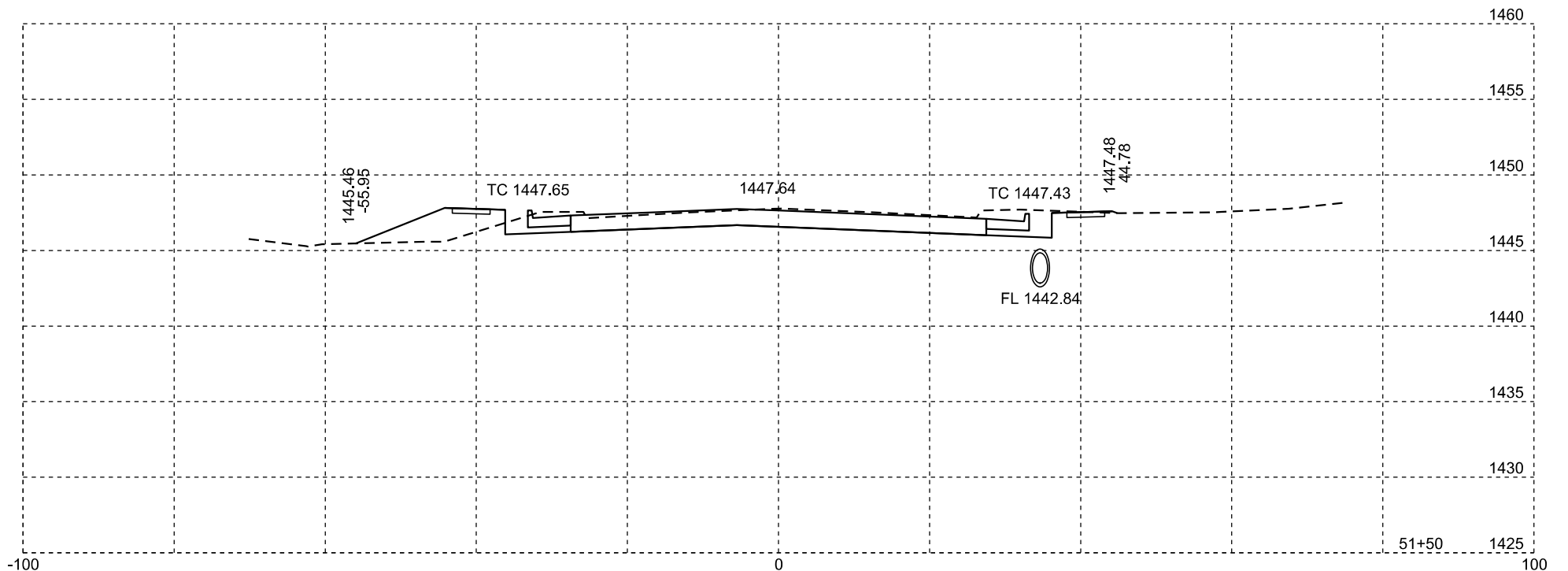
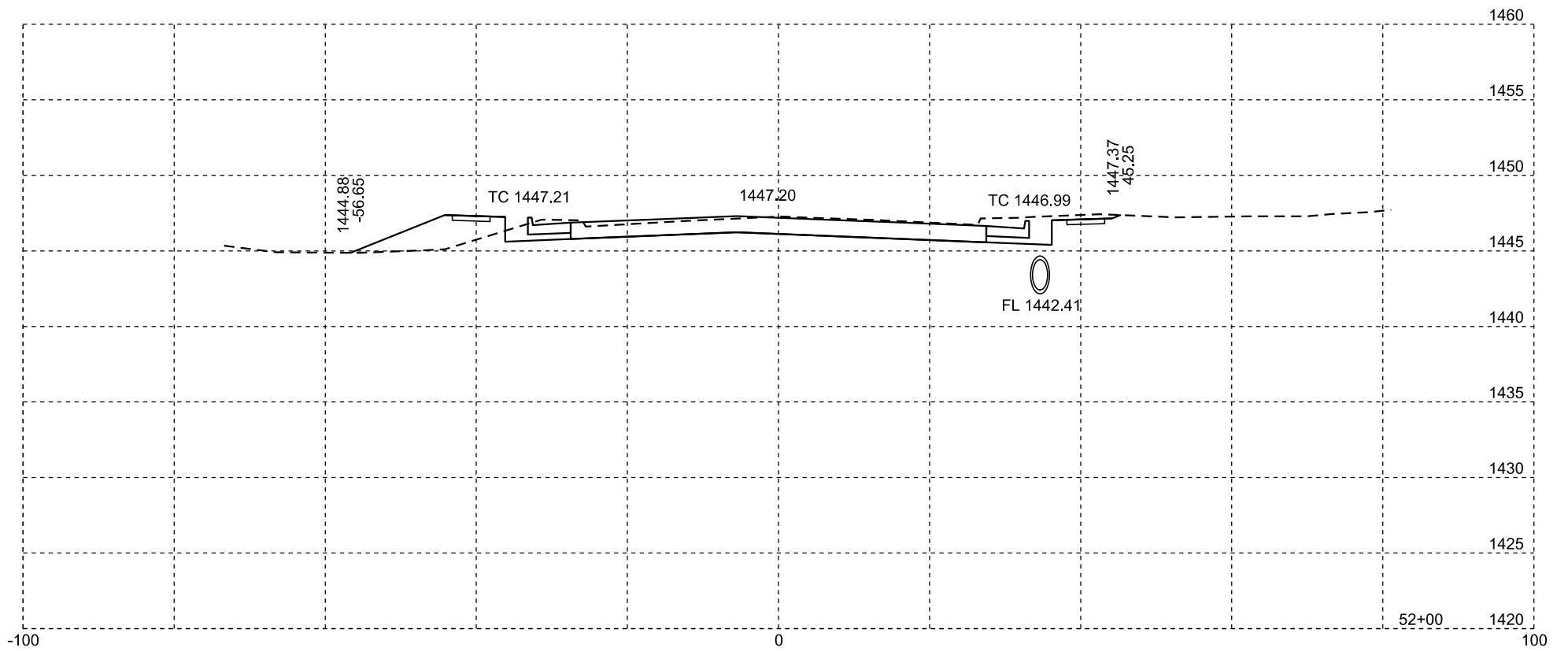
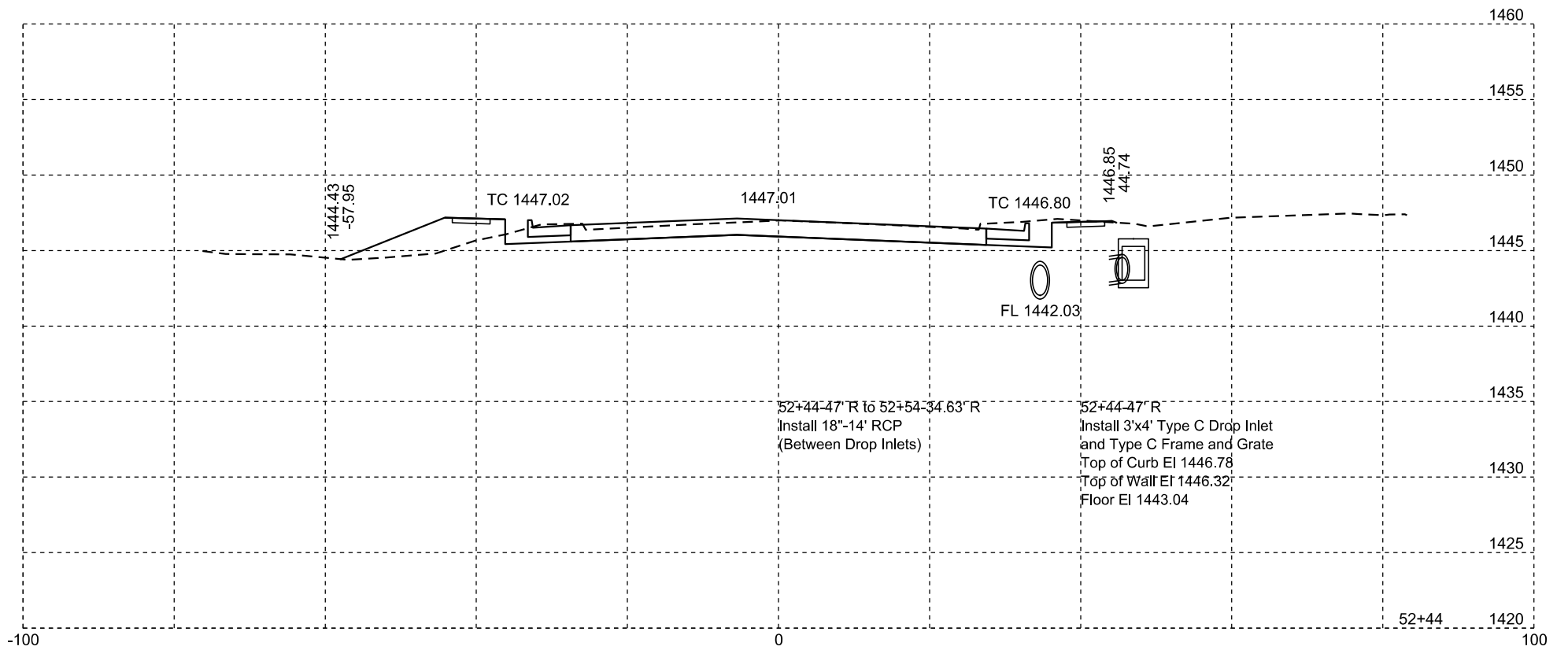
Plotting Date: 09/06/2024

| | | | |
|-----------------------------|-------------------|--------------|-----------------|
| STATE OF SOUTH DAKOTA | PROJECT | SHEET NO. | TOTAL SHEETS |
| | NH-CR 0046(69)288 | X89 | X139 |



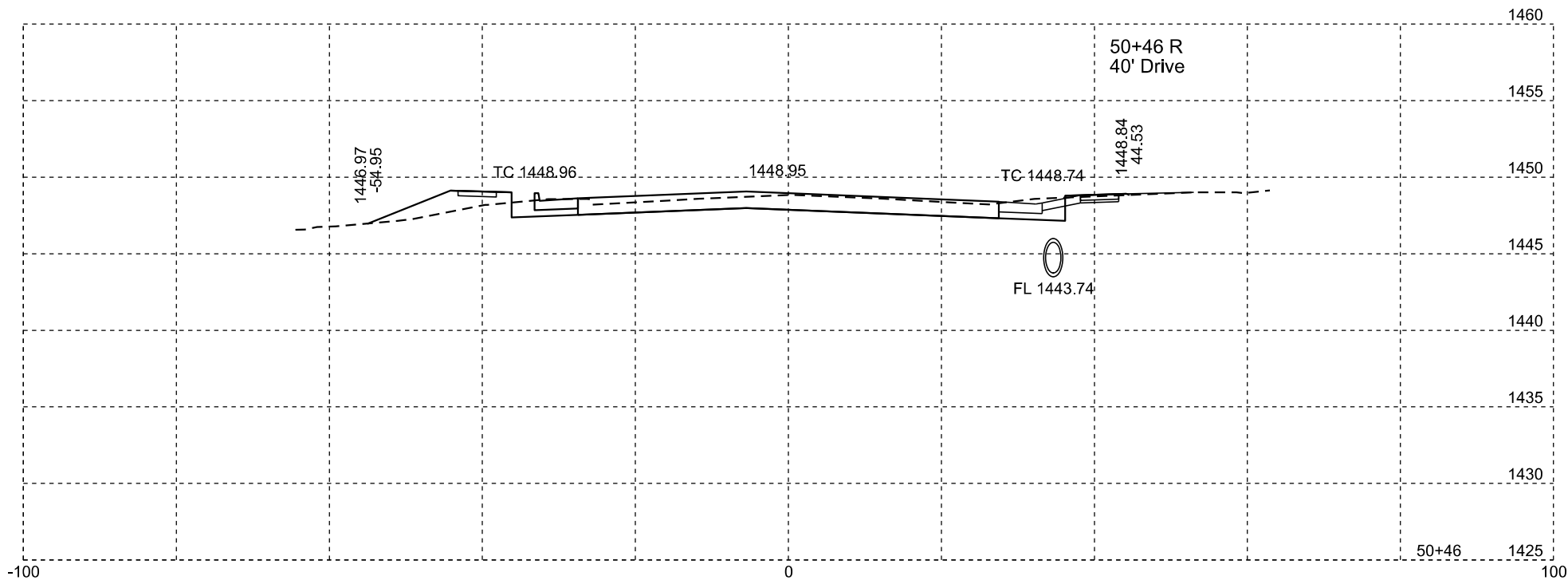
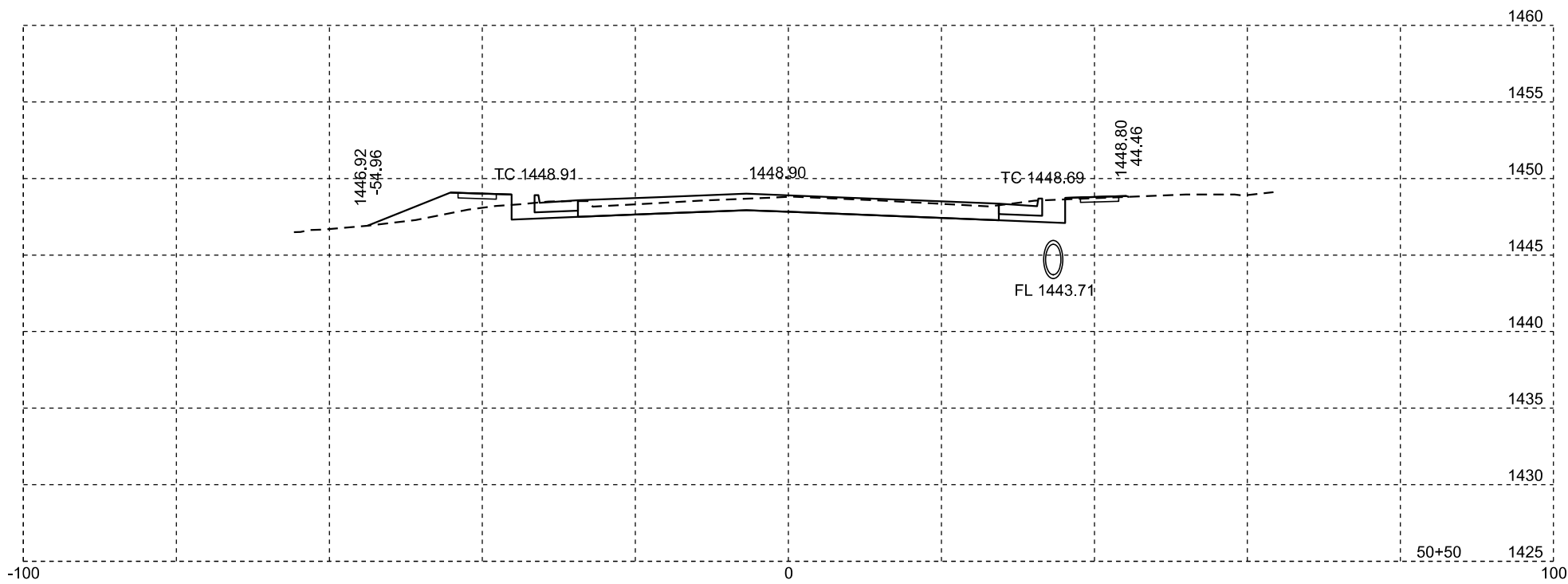
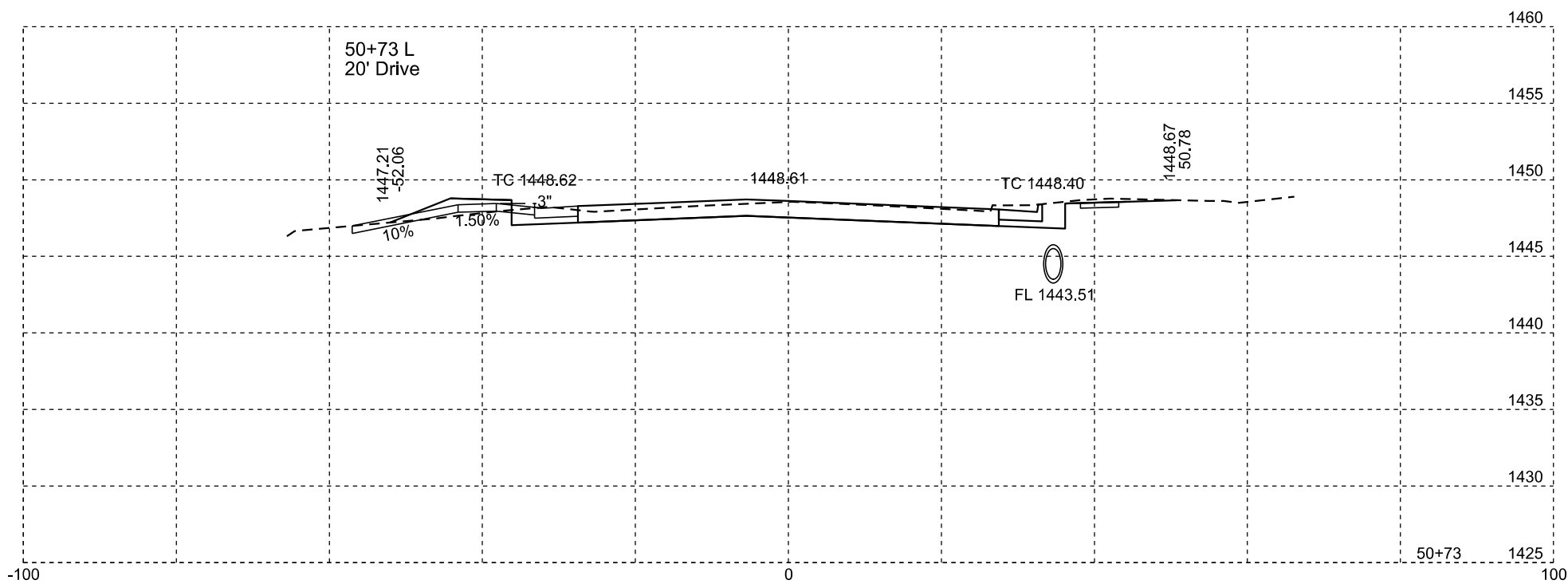
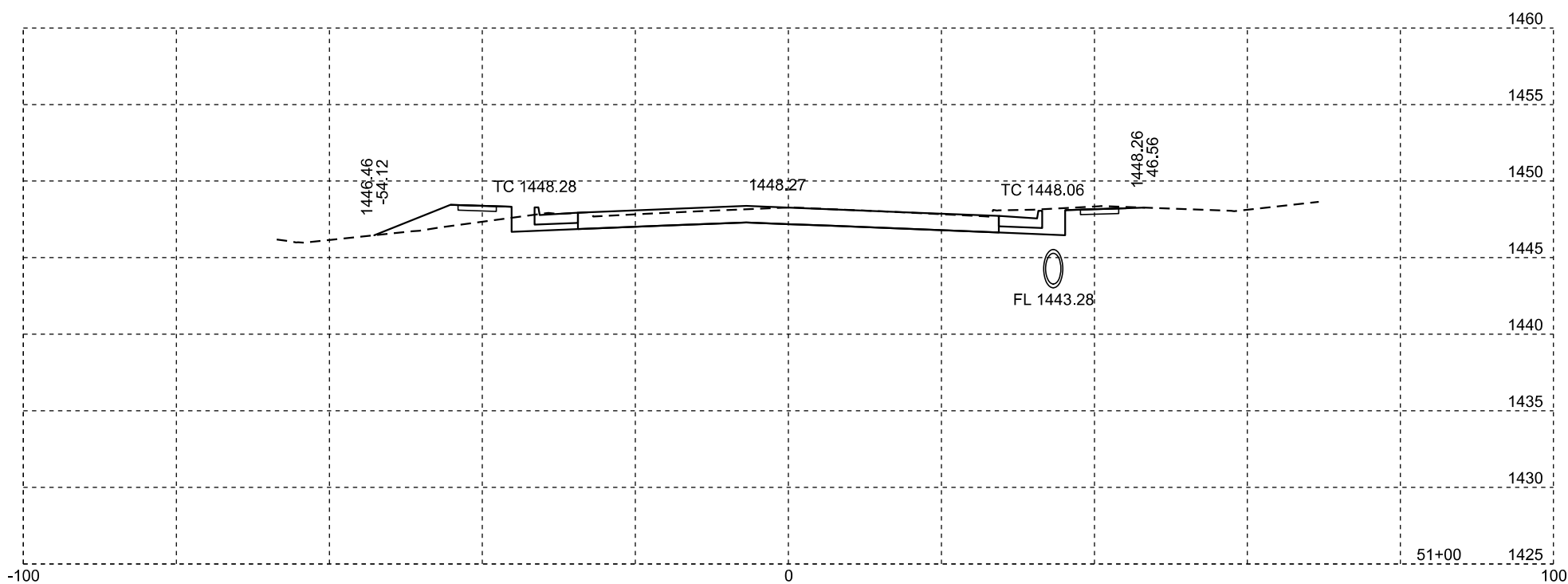
Plotting Date: 09/06/2024

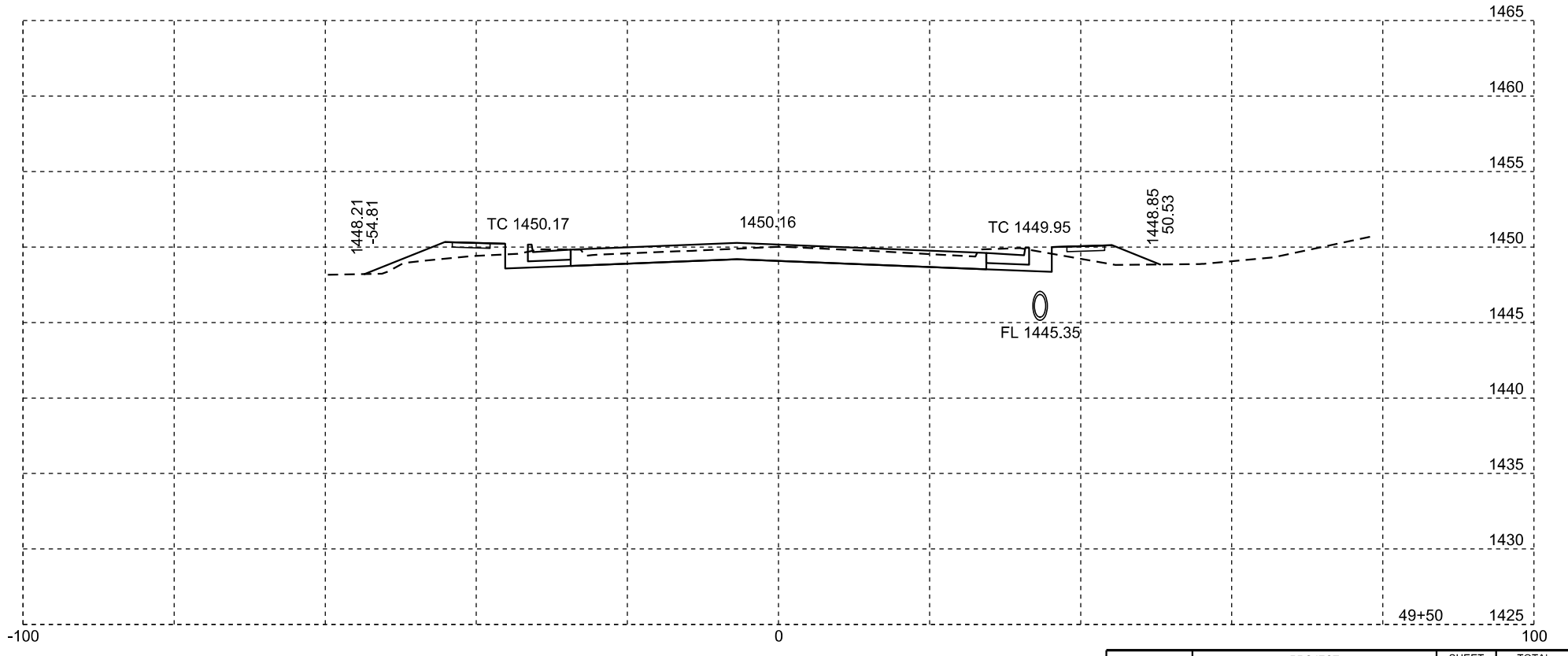
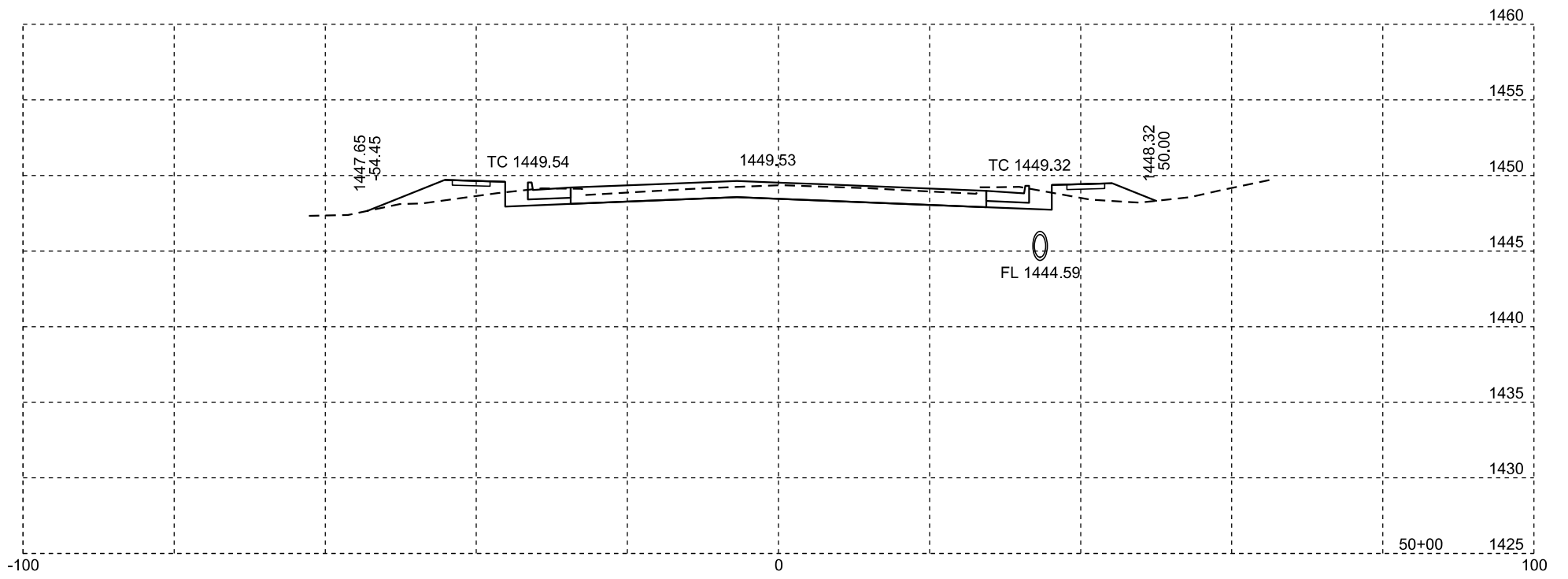
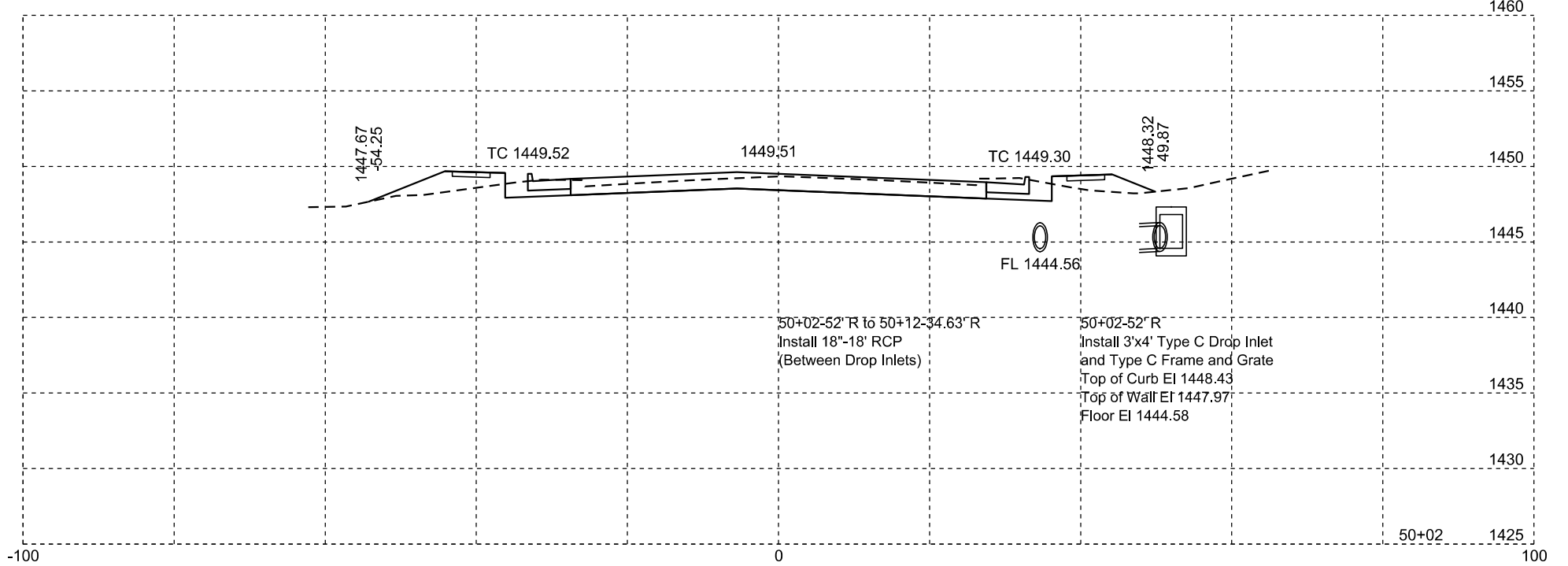
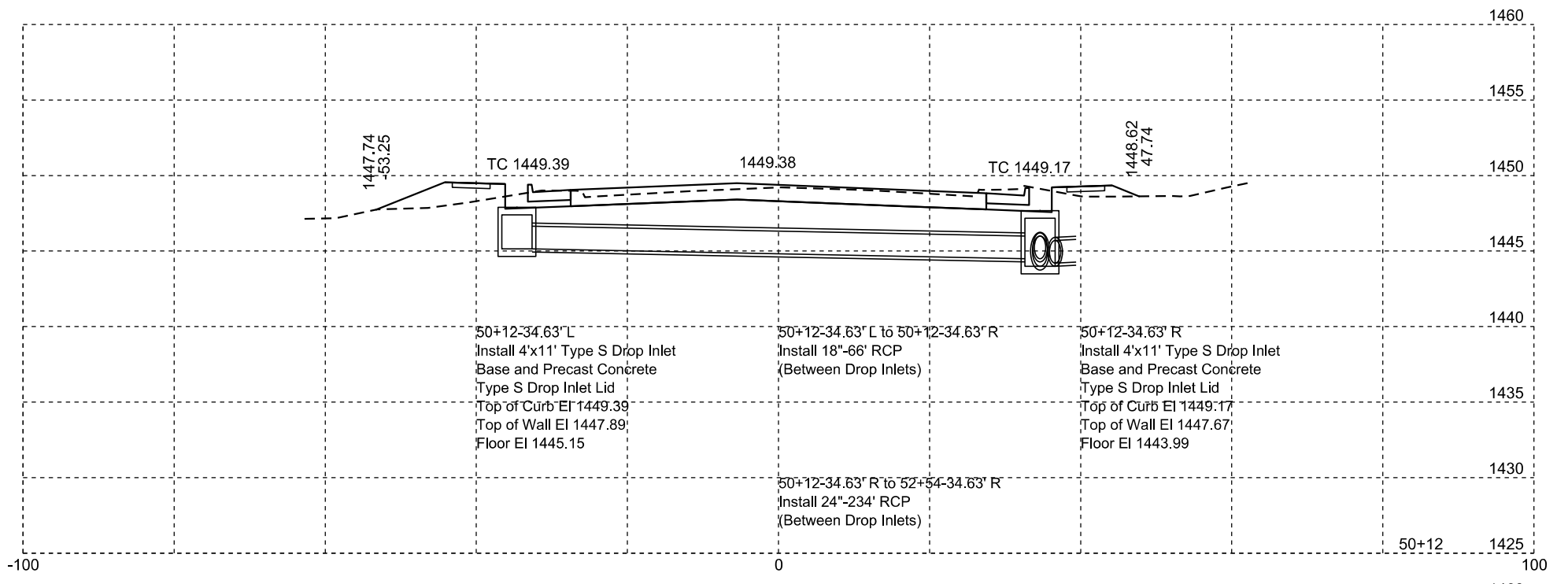
| | | | |
|-----------------------------|-------------------|--------------|-----------------|
| STATE OF SOUTH DAKOTA | PROJECT | SHEET NO. | TOTAL SHEETS |
| | NH-CR 0046(69)288 | X90 | X139 |



Plotting Date: 09/06/2024

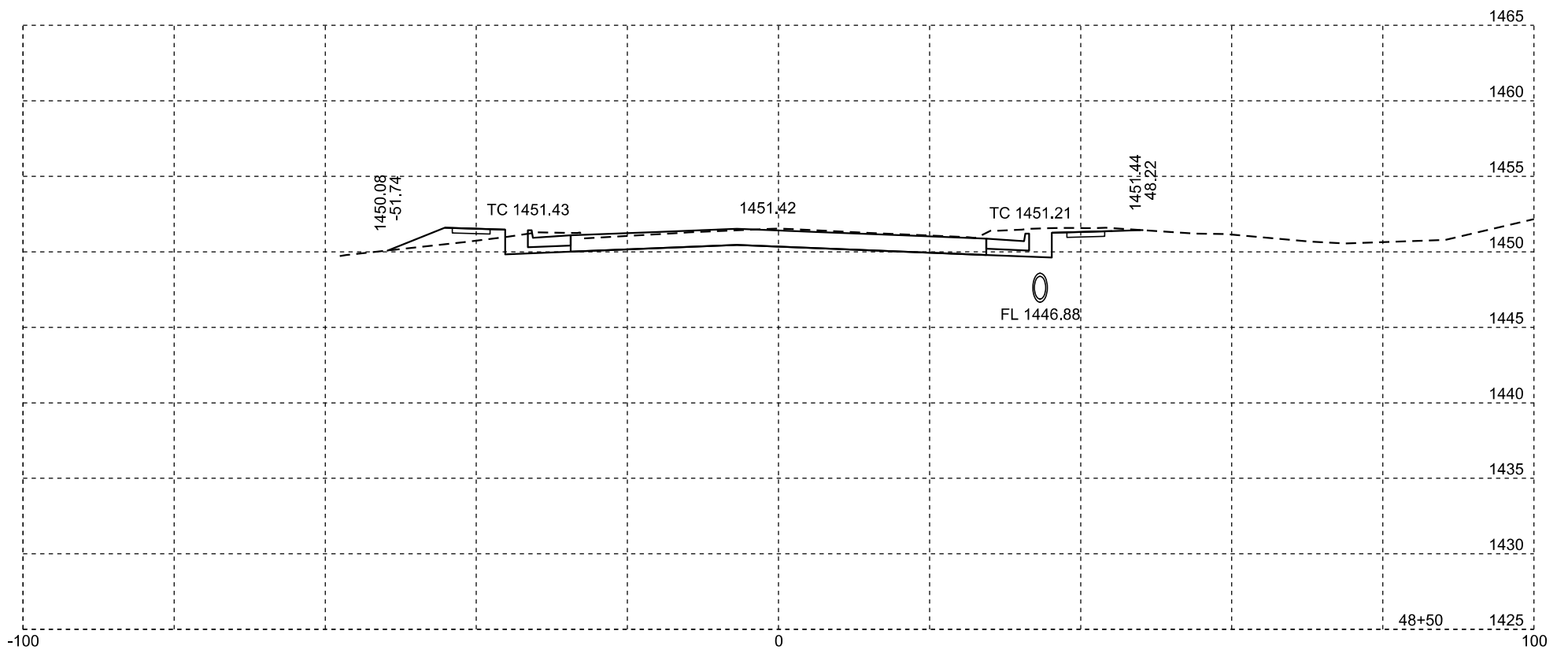
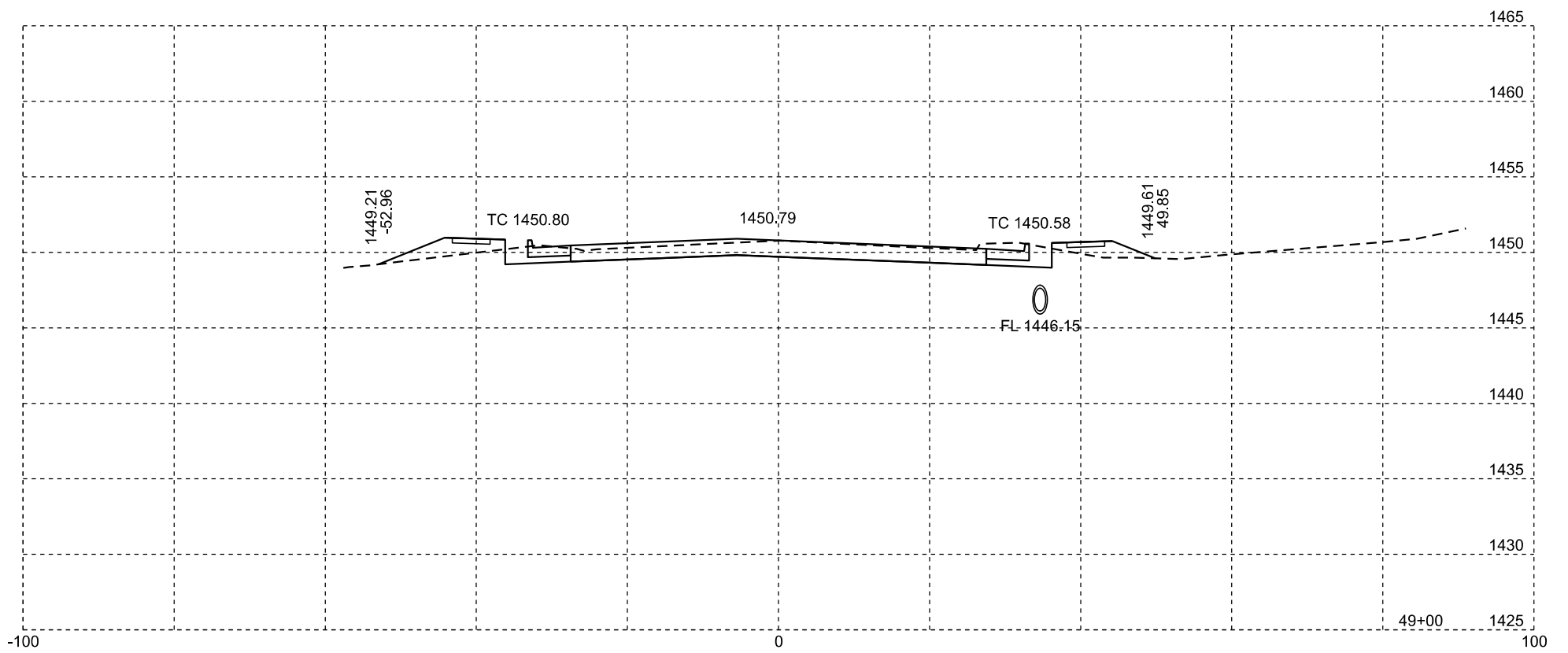
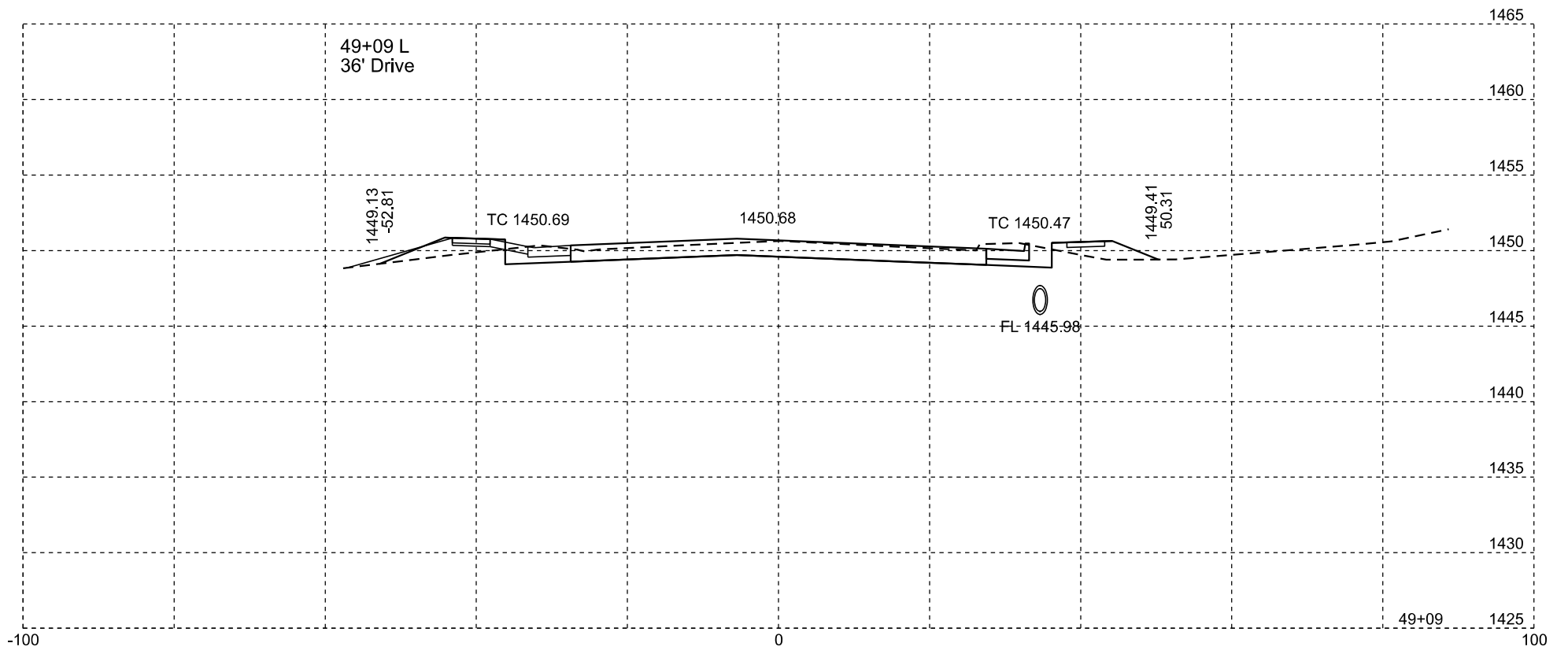
| | | | |
|-----------------------------|-------------------|--------------|-----------------|
| STATE OF SOUTH DAKOTA | PROJECT | SHEET NO. | TOTAL SHEETS |
| | NH-CR 0046(69)288 | X91 | X139 |





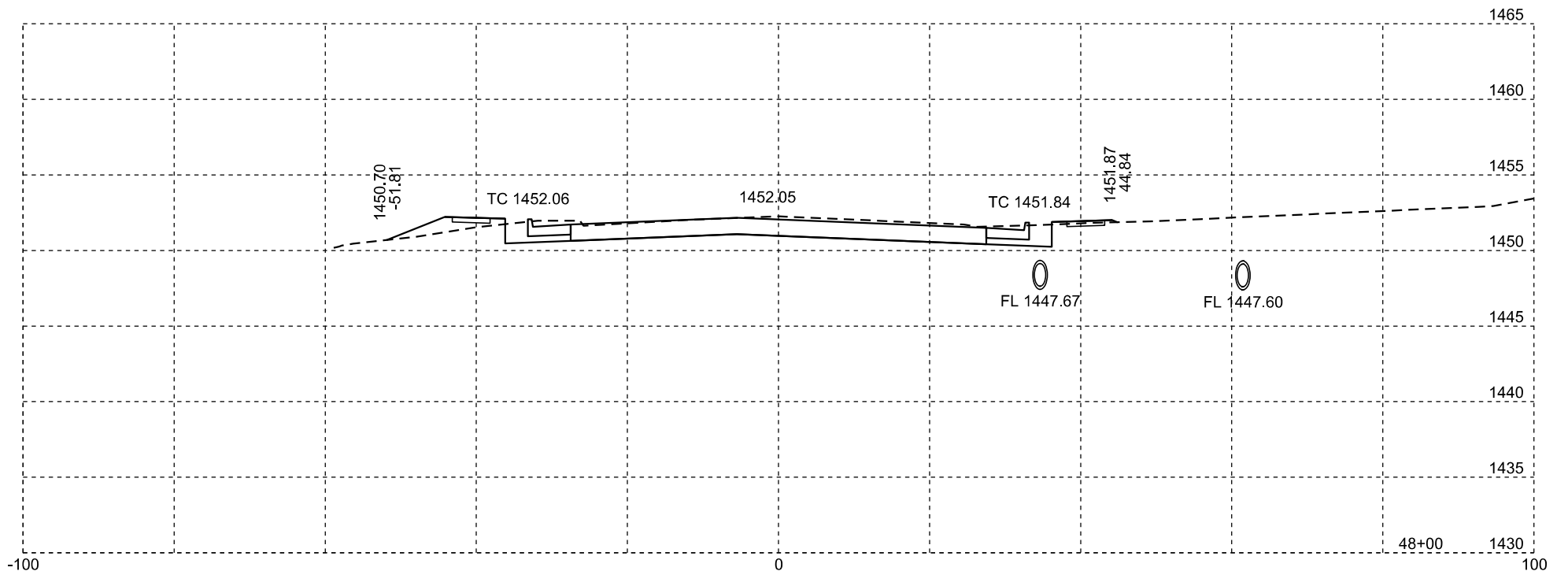
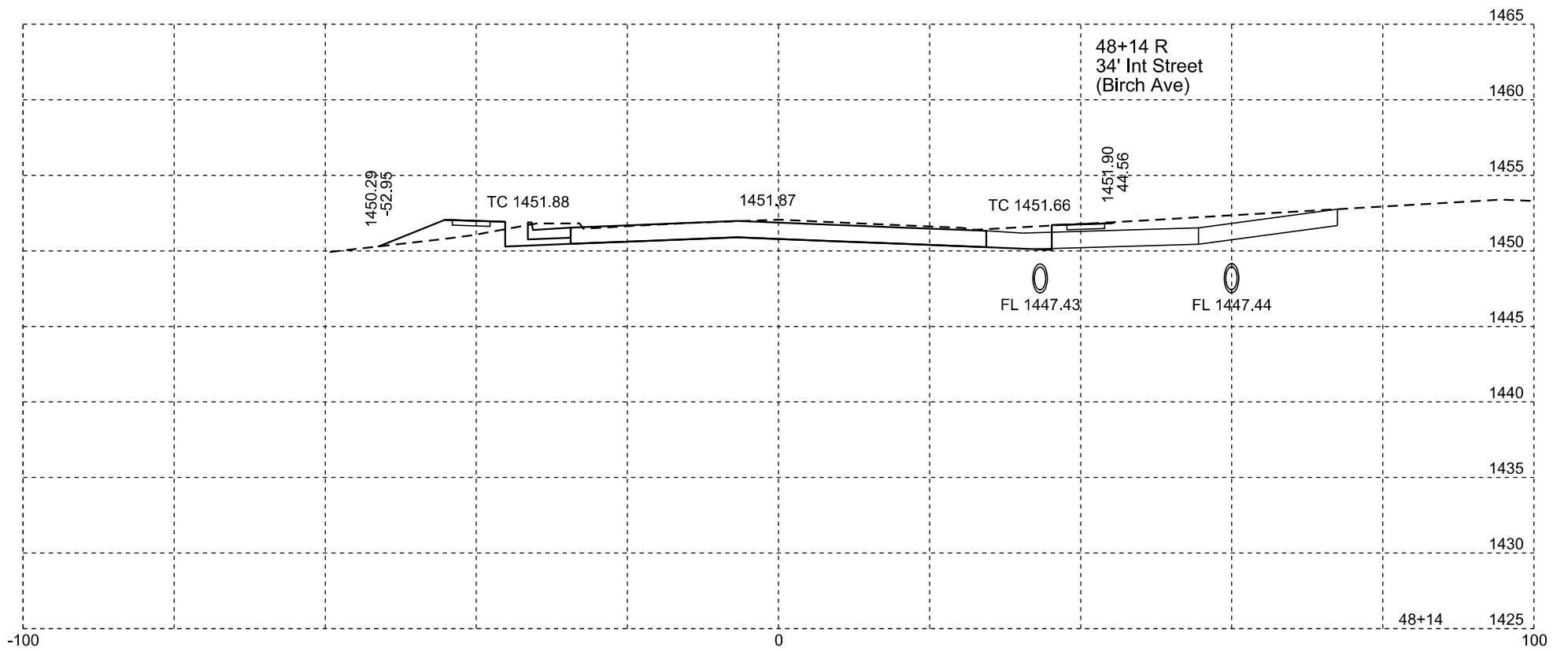
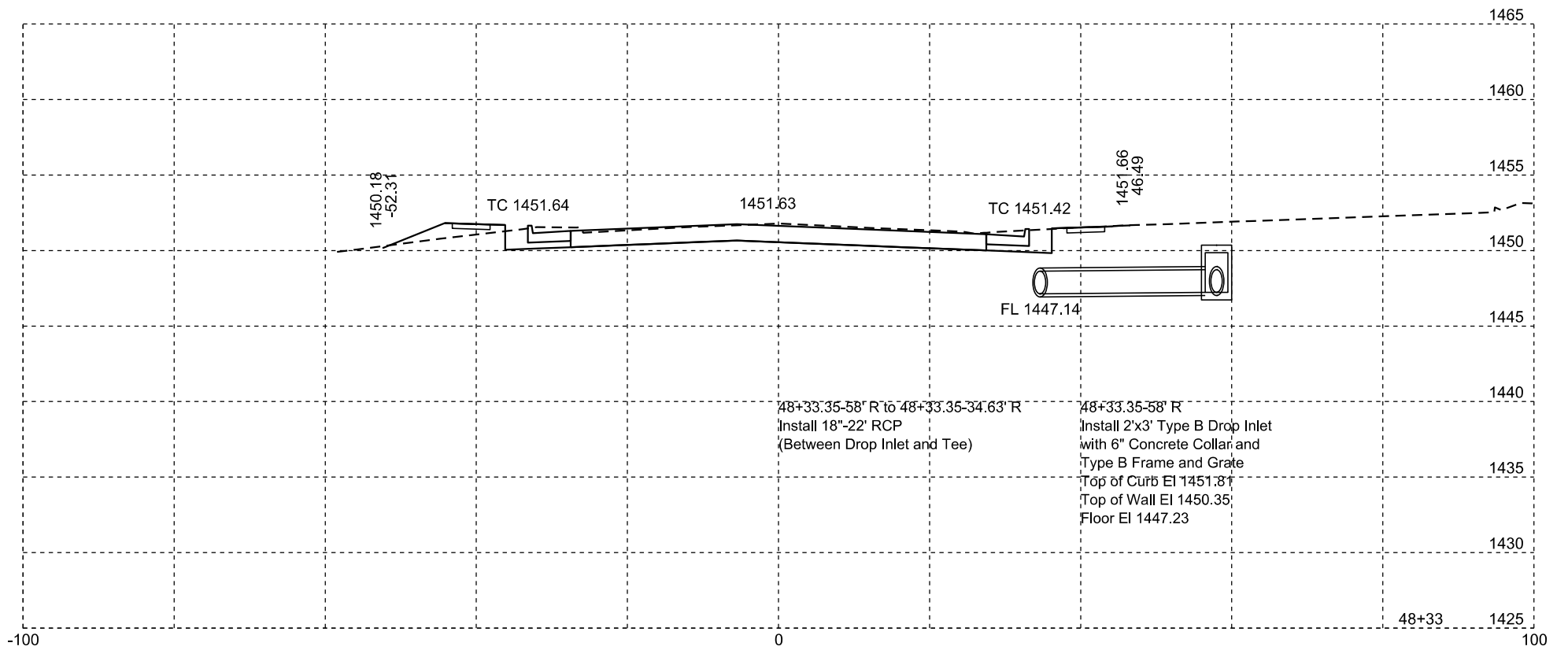
Plotting Date: 09/06/2024

| | | | |
|-----------------------------|-------------------|--------------|-----------------|
| STATE OF SOUTH DAKOTA | PROJECT | SHEET NO. | TOTAL SHEETS |
| | NH-CR 0046(69)288 | X93 | X139 |



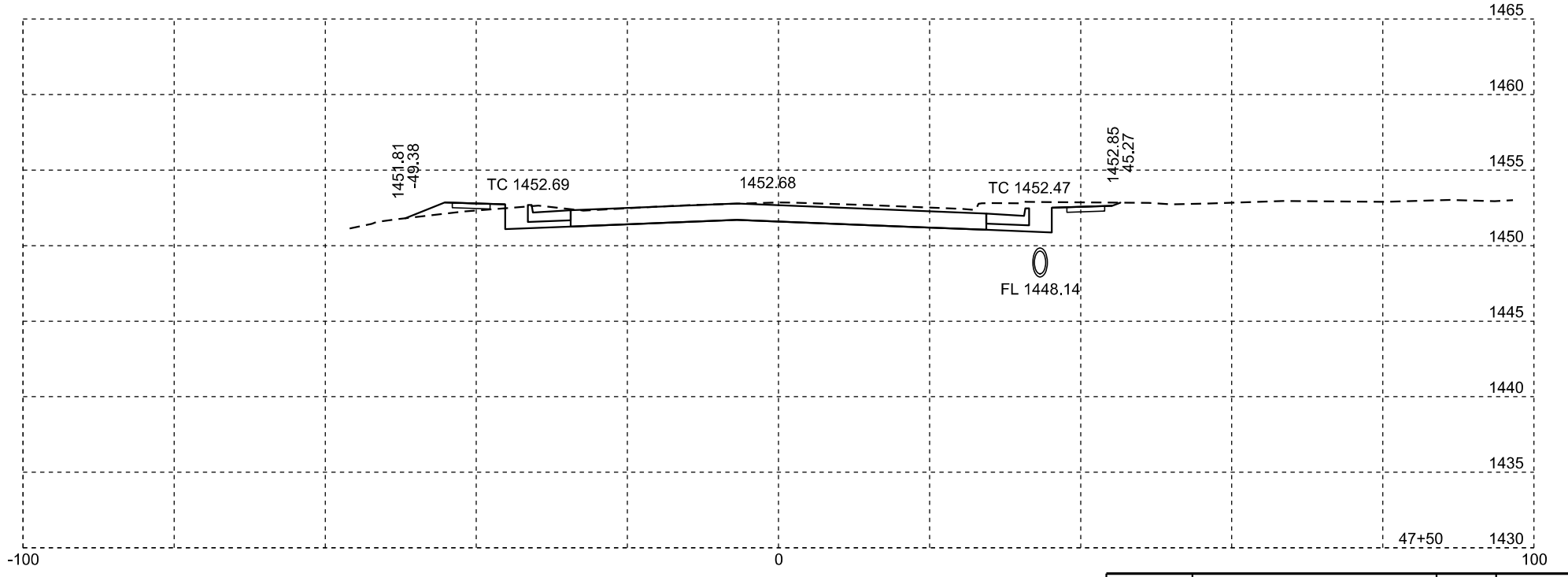
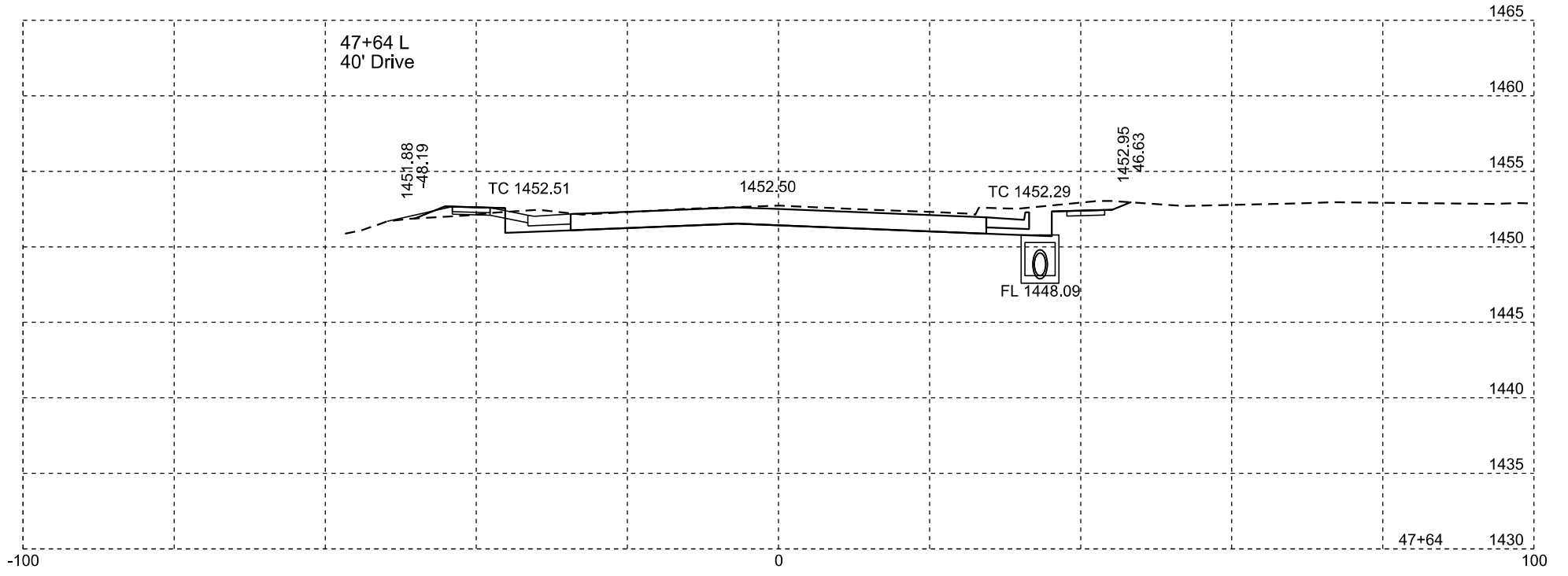
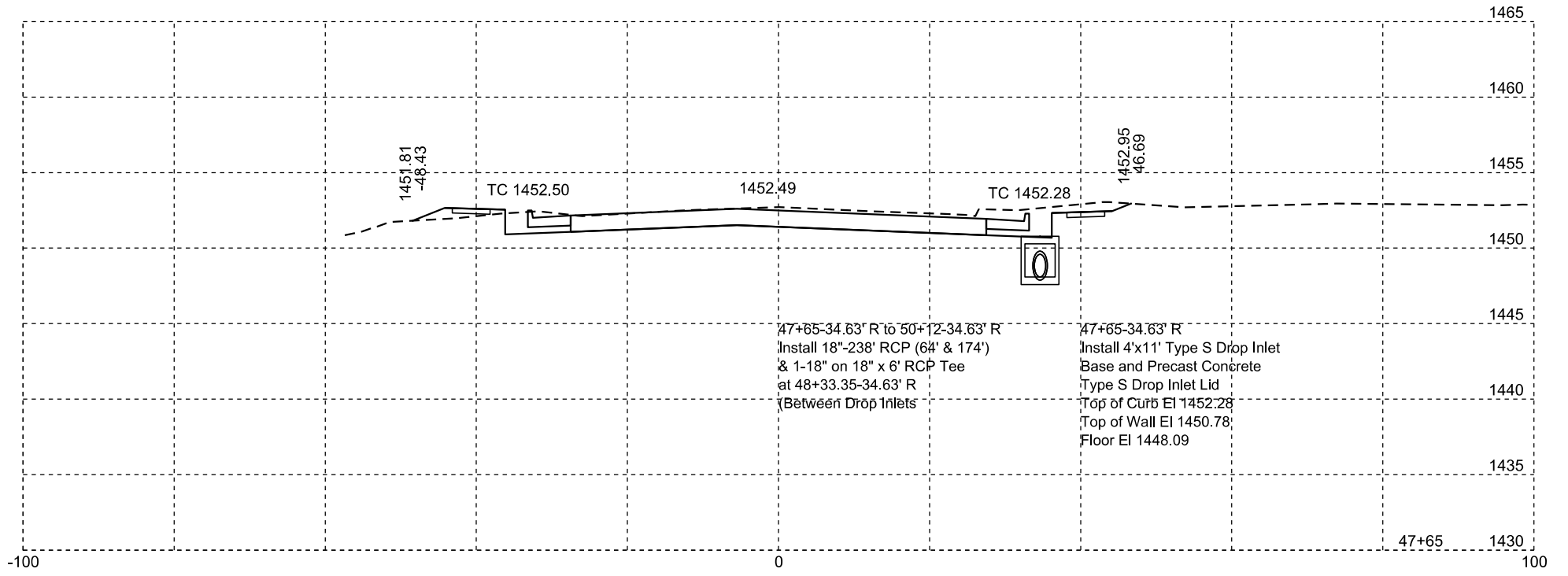
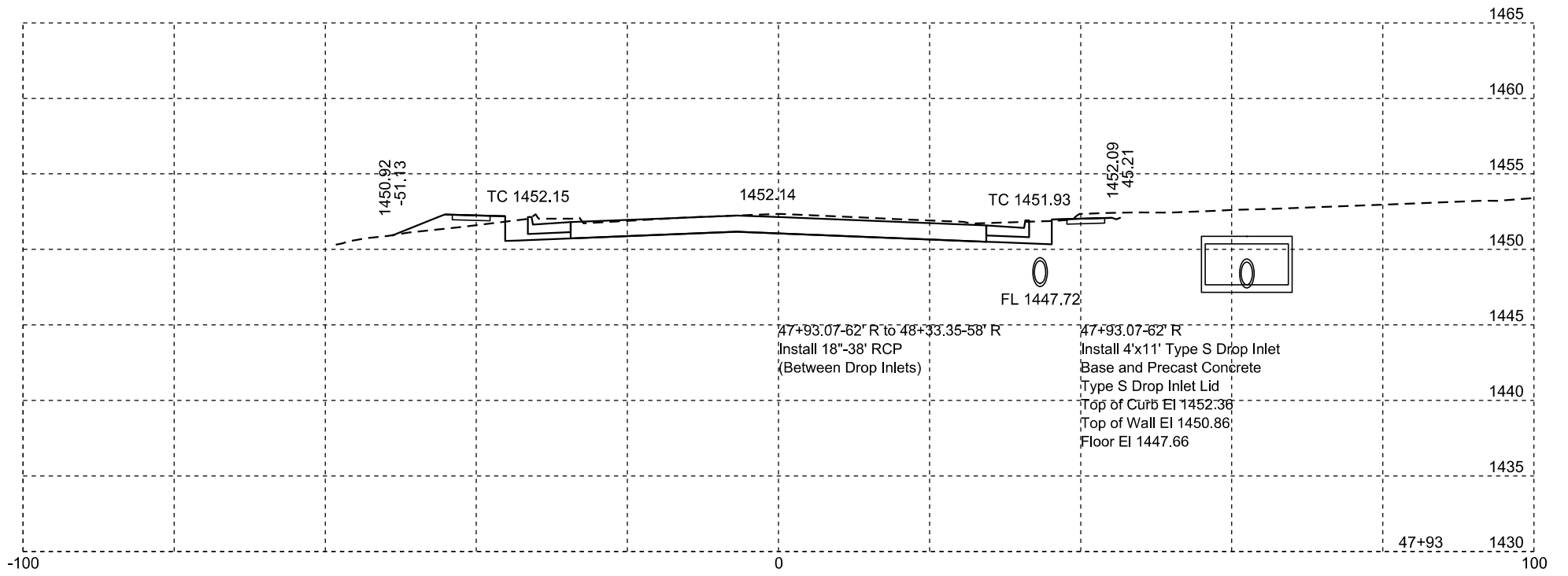
Plotting Date: 09/06/2024

| | | | |
|-----------------------------|-------------------|--------------|-----------------|
| STATE OF SOUTH DAKOTA | PROJECT | SHEET NO. | TOTAL SHEETS |
| | NH-CR 0046(69)288 | X94 | X139 |



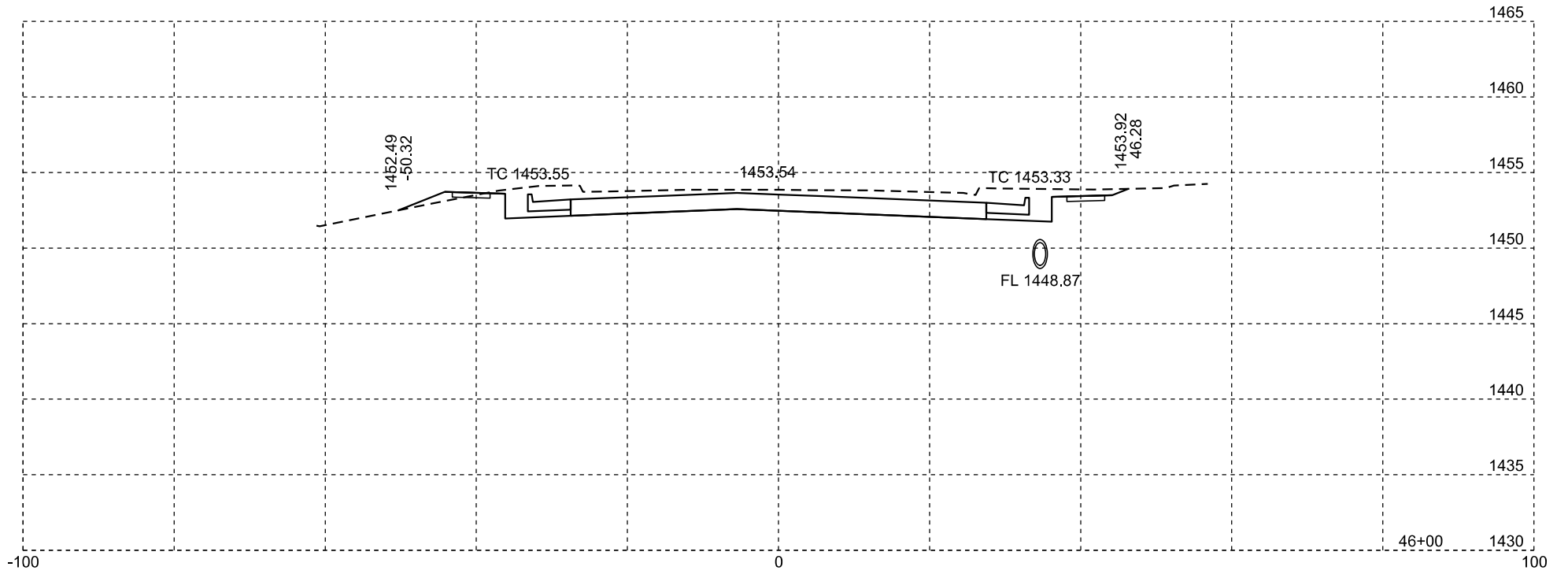
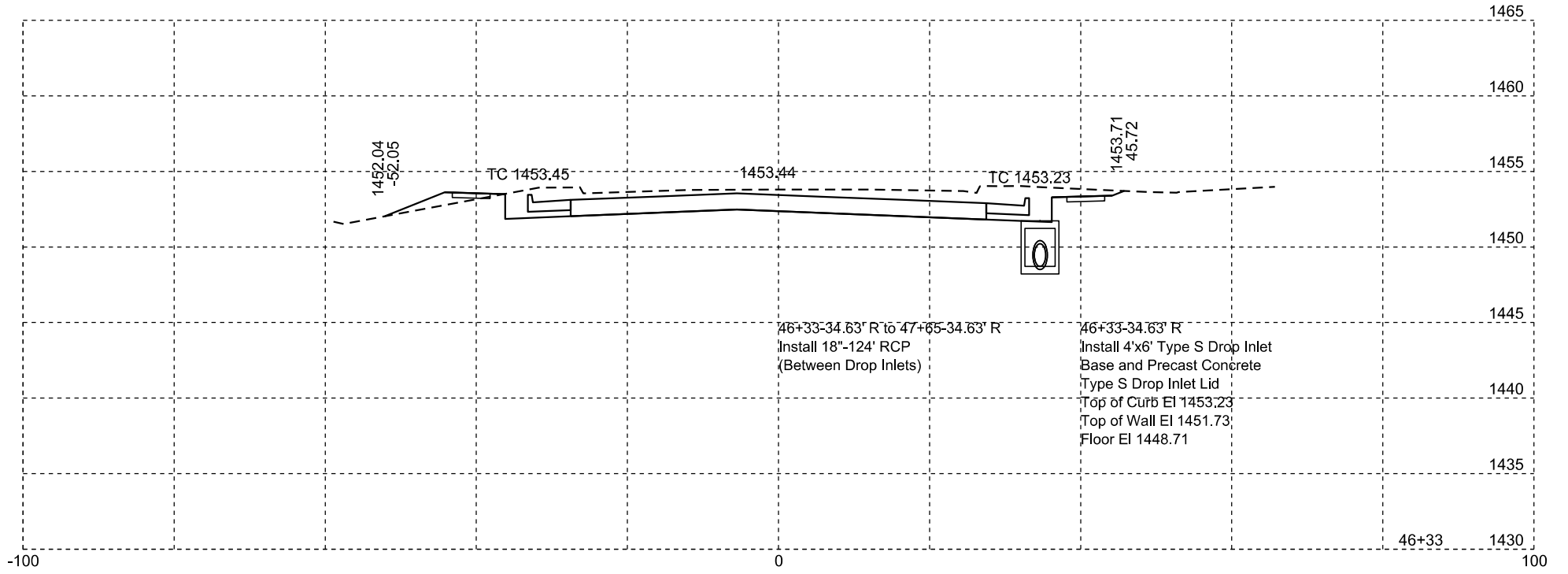
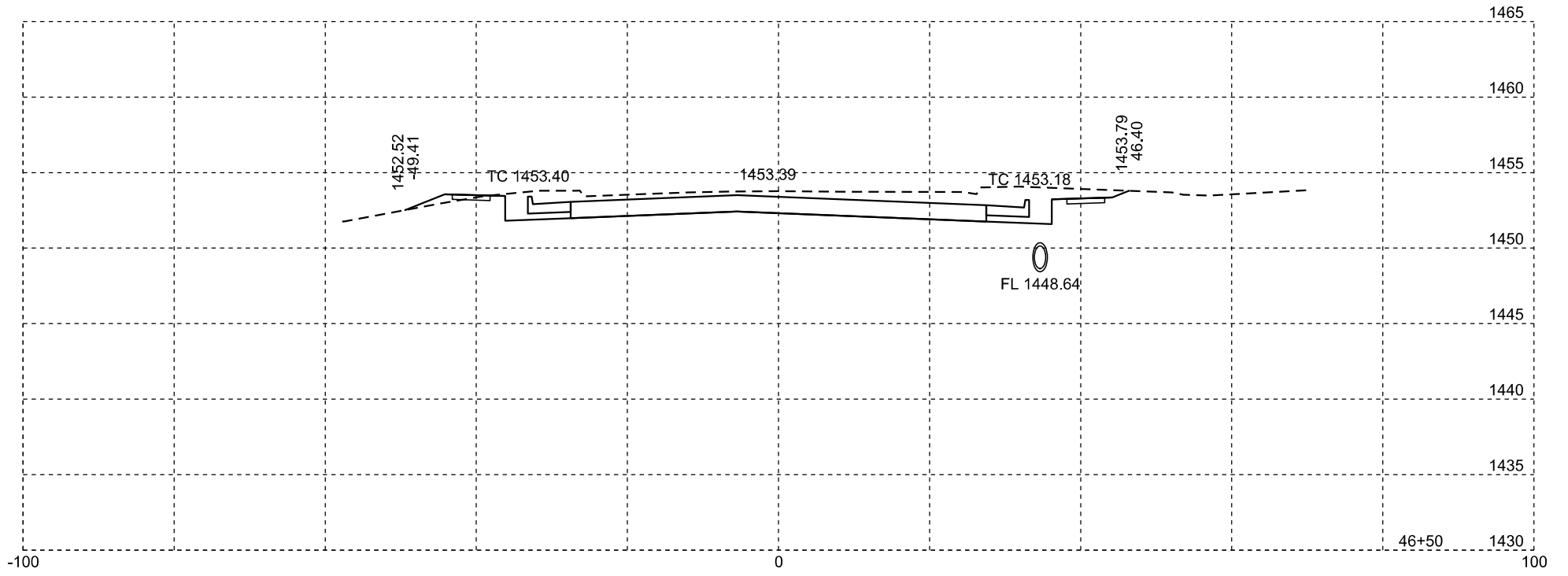
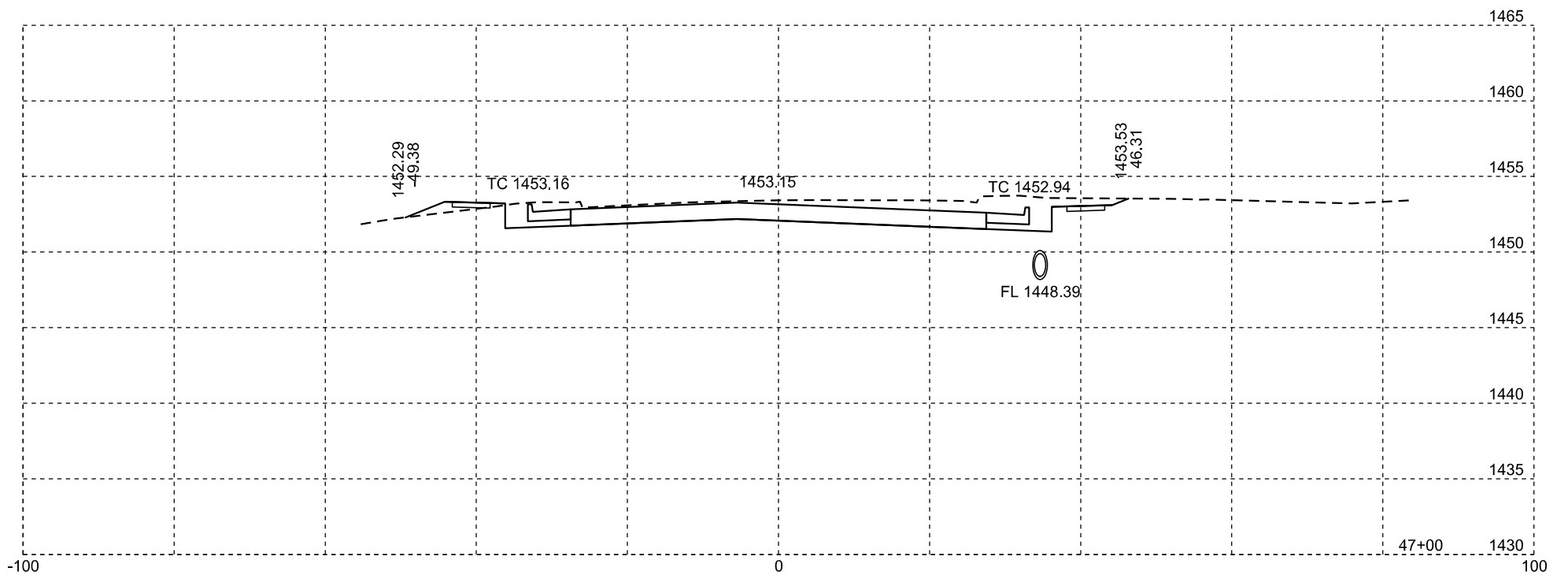
Plotting Date: 09/06/2024

| | | | |
|-----------------------------|-------------------|--------------|-----------------|
| STATE OF SOUTH DAKOTA | PROJECT | SHEET NO. | TOTAL SHEETS |
| | NH-CR 0046(69)288 | X95 | X139 |



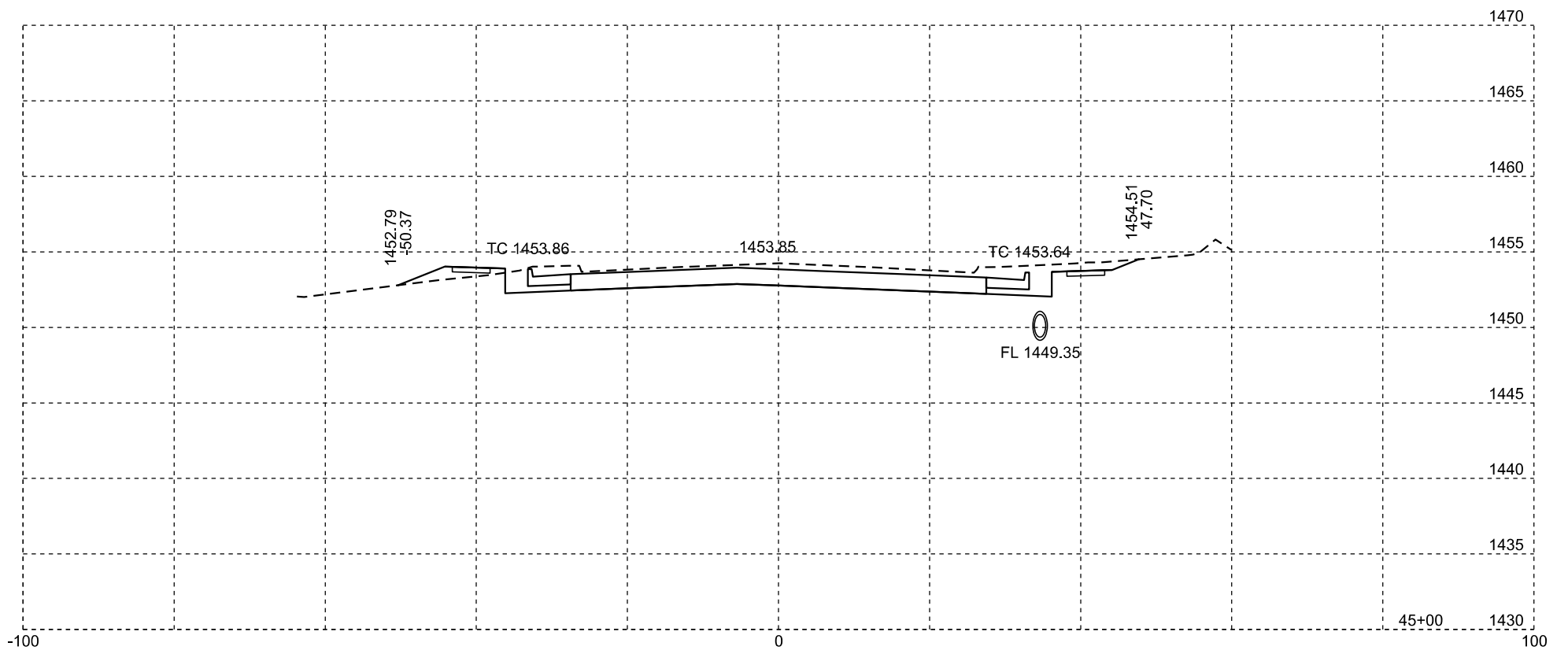
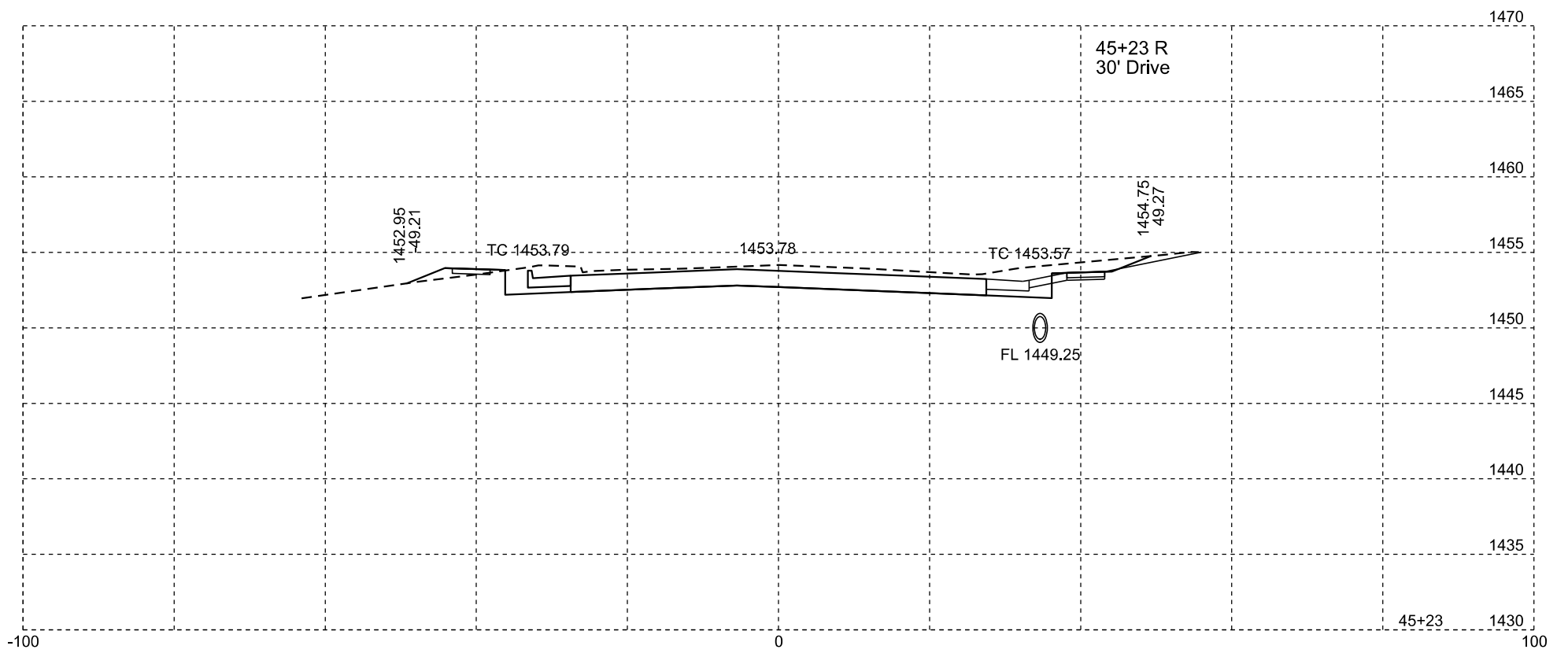
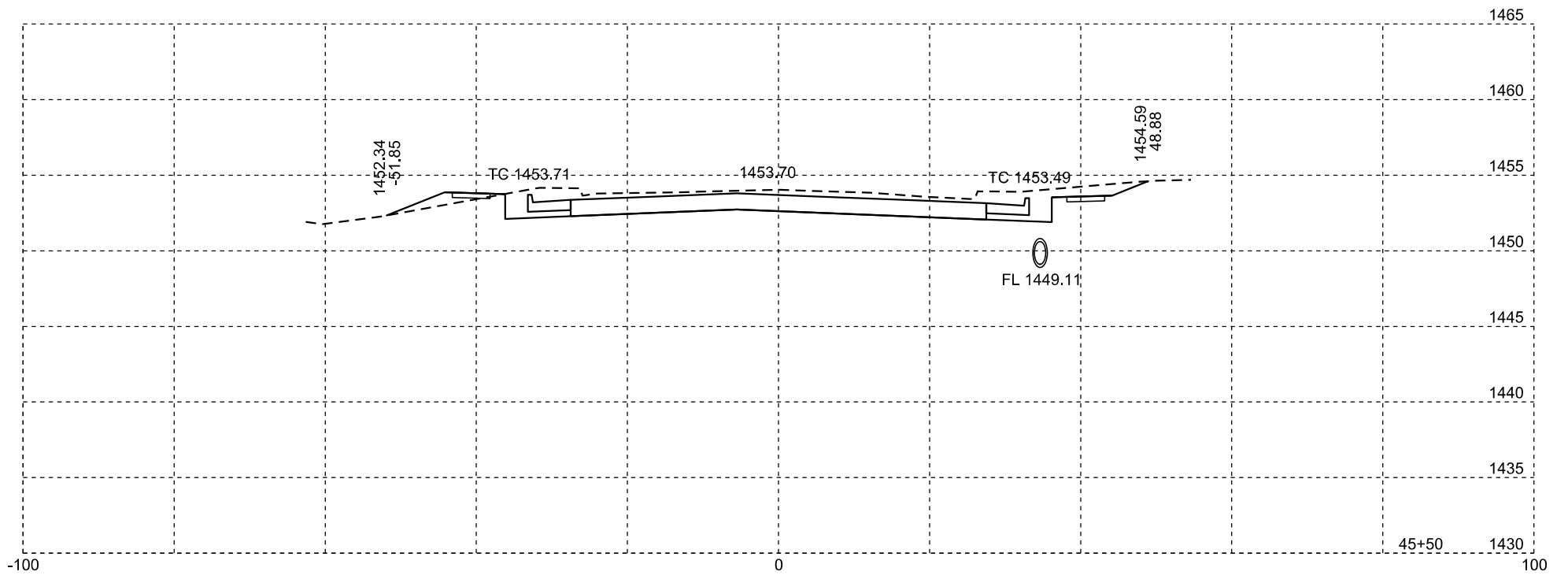
Plotting Date: 09/06/2024

| | | | |
|-----------------------------|-------------------|--------------|-----------------|
| STATE OF SOUTH DAKOTA | PROJECT | SHEET NO. | TOTAL SHEETS |
| | NH-CR 0046(69)288 | X96 | X139 |



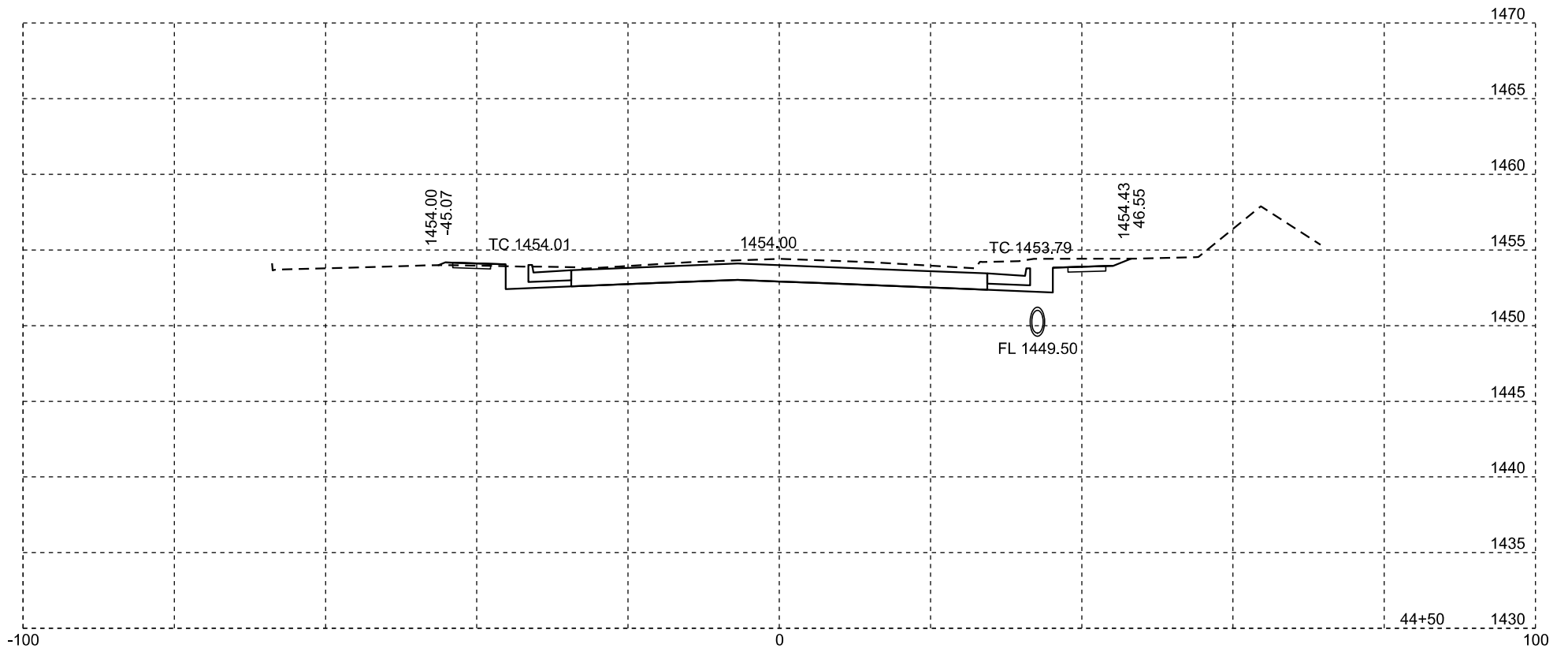
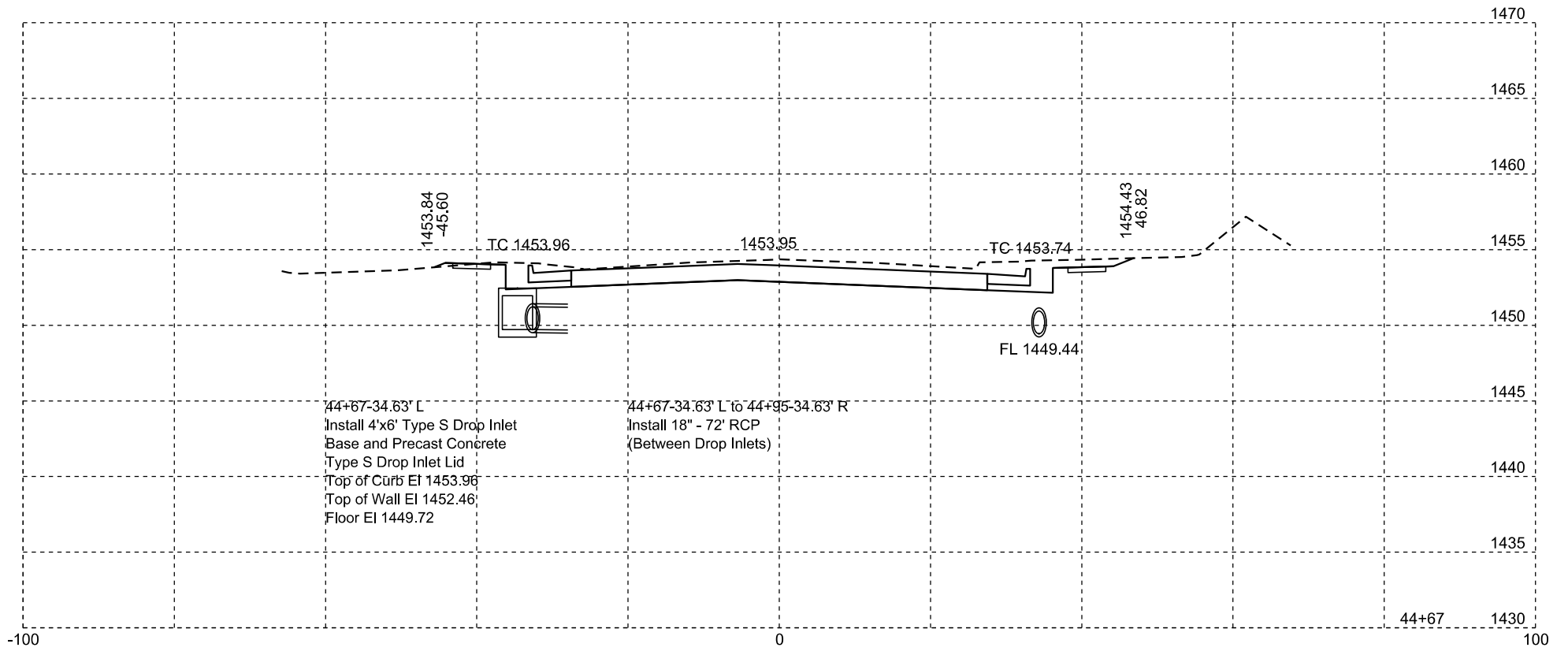
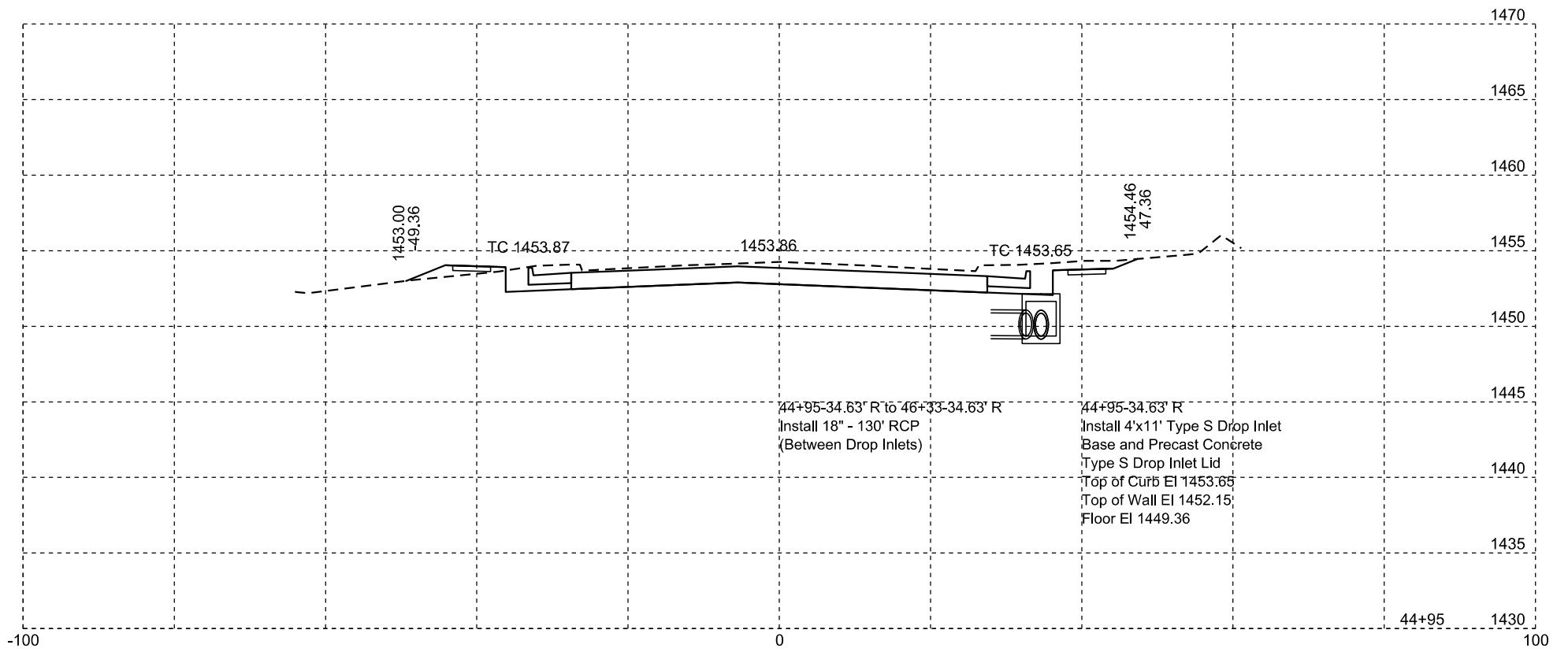
Plotting Date: 09/06/2024

| | | | |
|-----------------------------|-------------------|--------------|-----------------|
| STATE OF SOUTH DAKOTA | PROJECT | SHEET NO. | TOTAL SHEETS |
| | NH-CR 0046(69)288 | X97 | X139 |



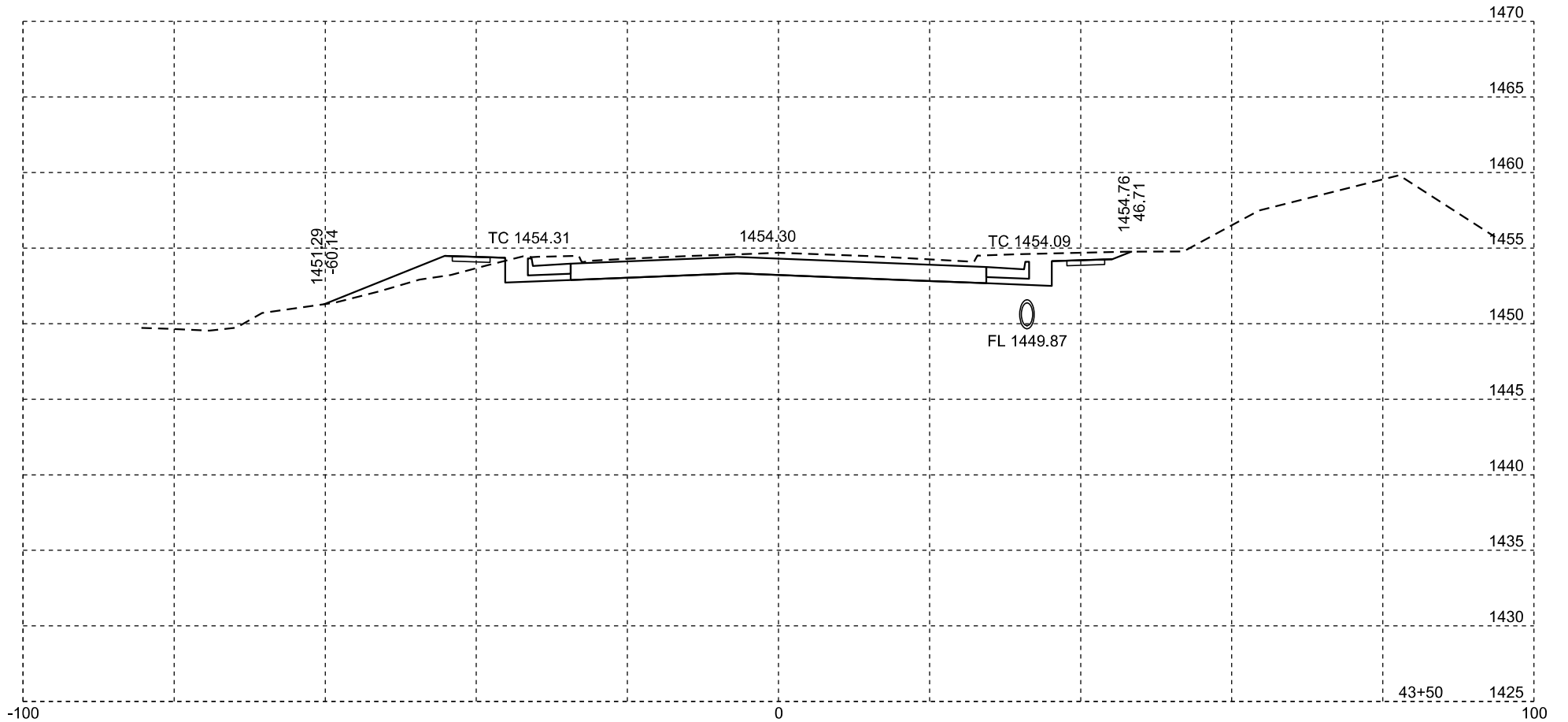
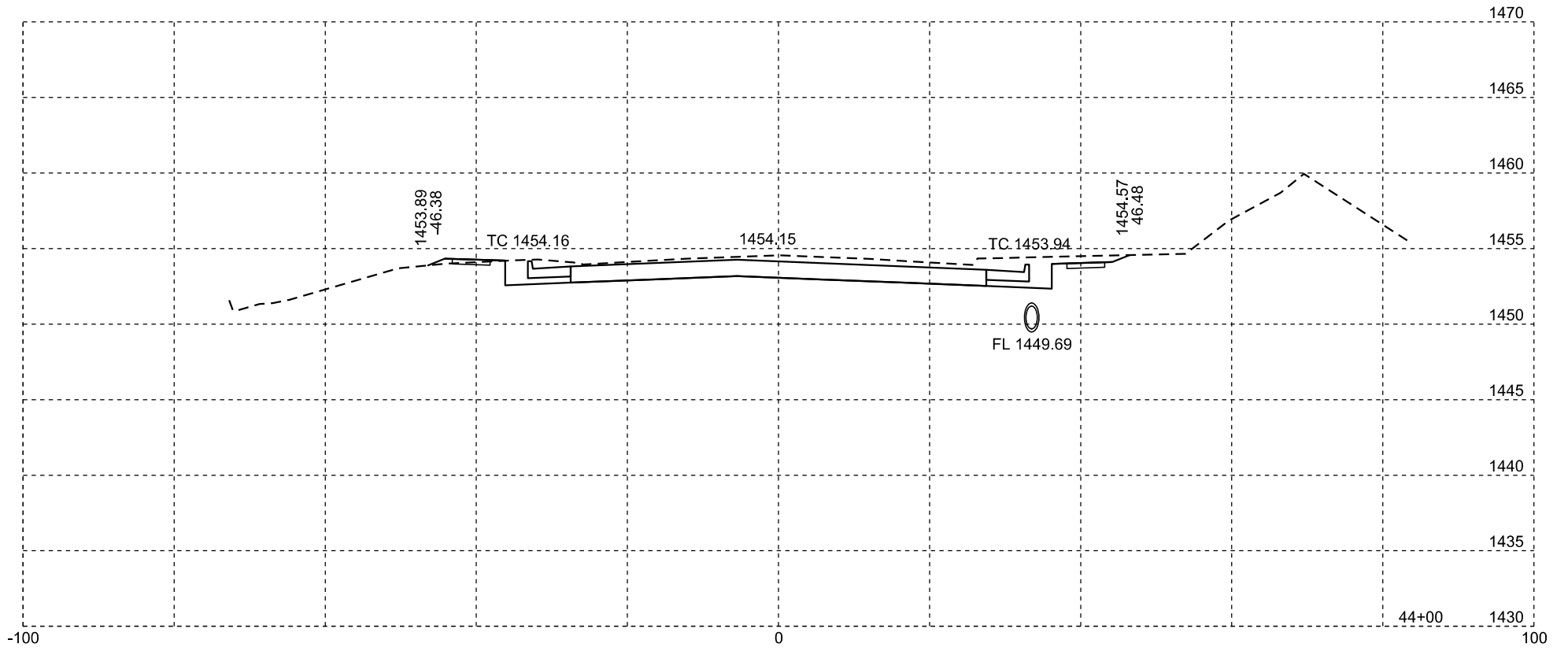
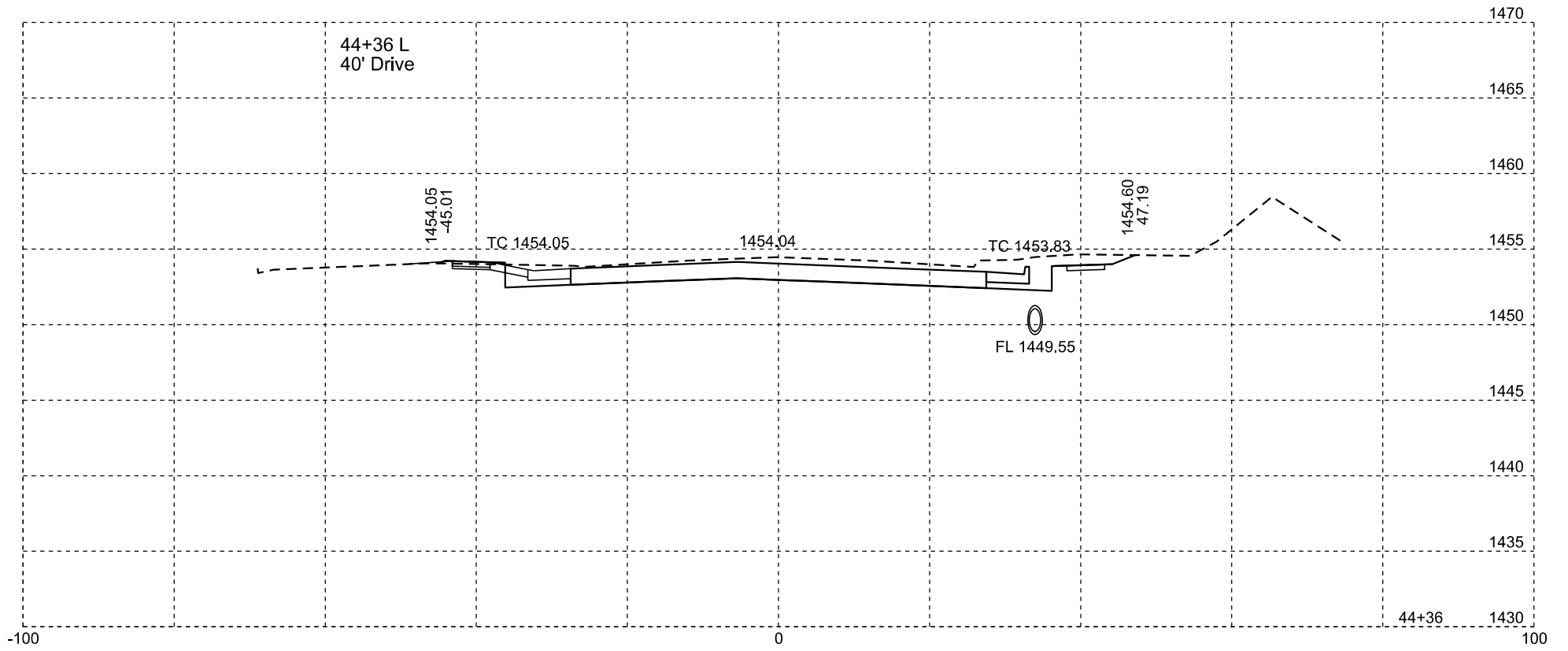
Plotting Date: 09/06/2024

| | | | |
|-----------------------------|-------------------|--------------|-----------------|
| STATE OF SOUTH DAKOTA | PROJECT | SHEET NO. | TOTAL SHEETS |
| | NH-CR 0046(69)288 | X98 | X139 |



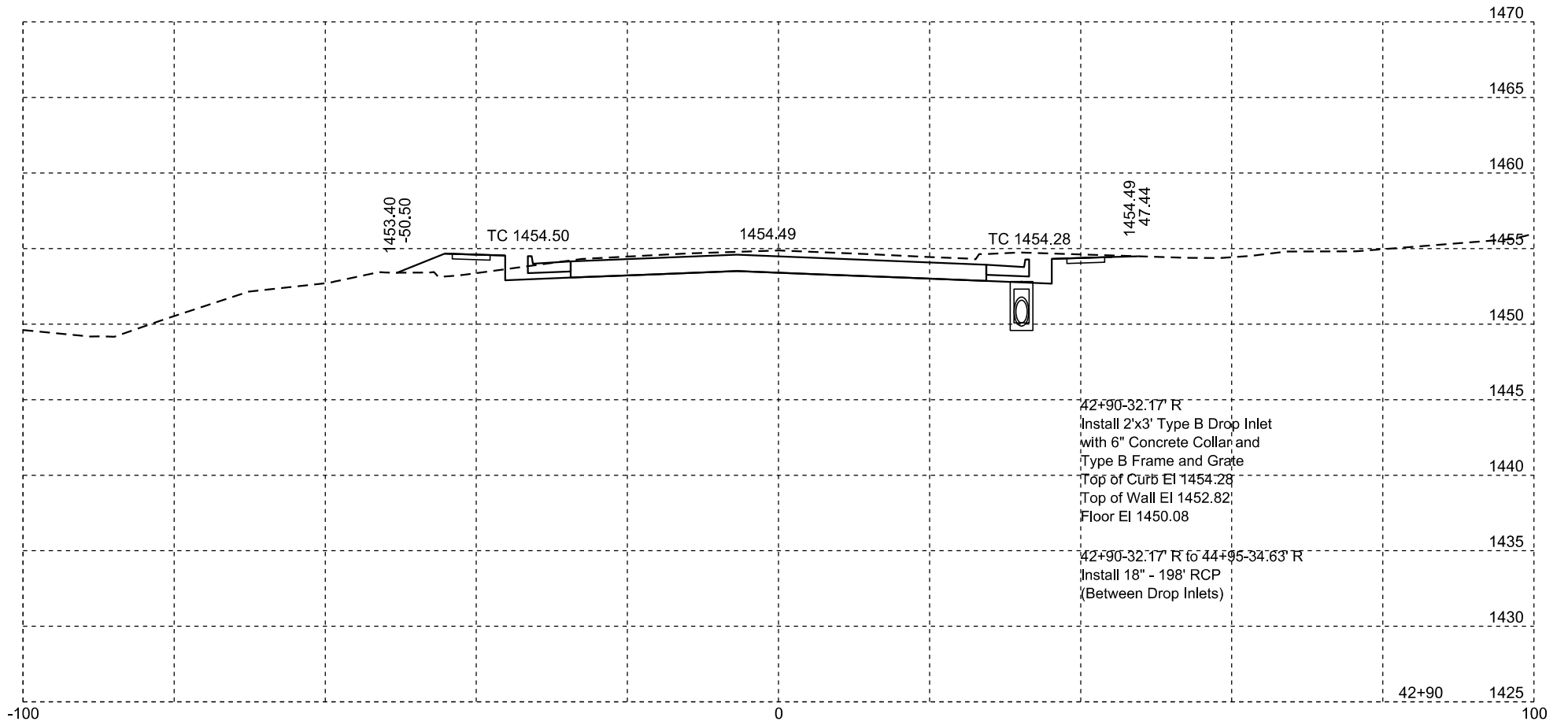
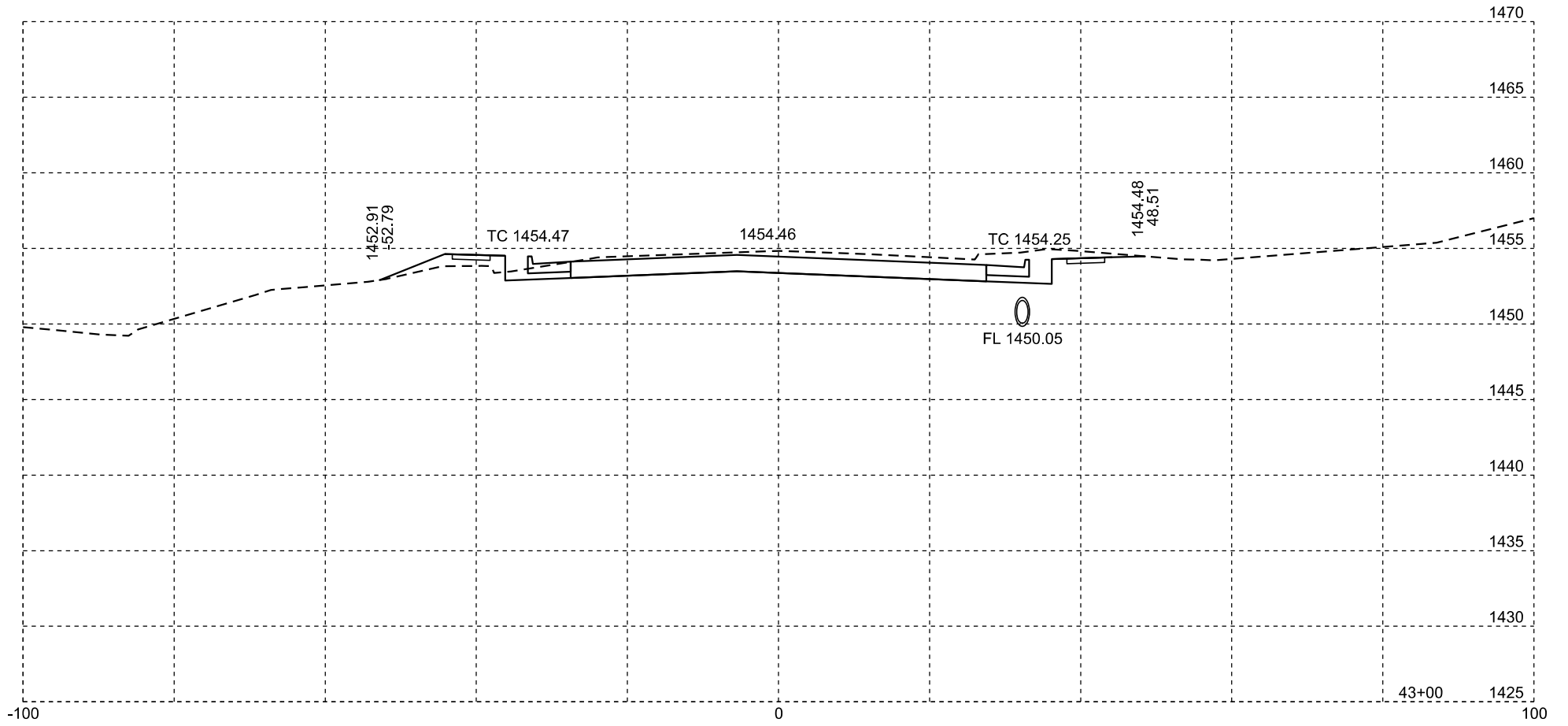
Plotting Date: 09/06/2024

| | | | |
|-----------------------------|-------------------|--------------|-----------------|
| STATE OF SOUTH DAKOTA | PROJECT | SHEET NO. | TOTAL SHEETS |
| | NH-CR 0046(69)288 | X99 | X139 |



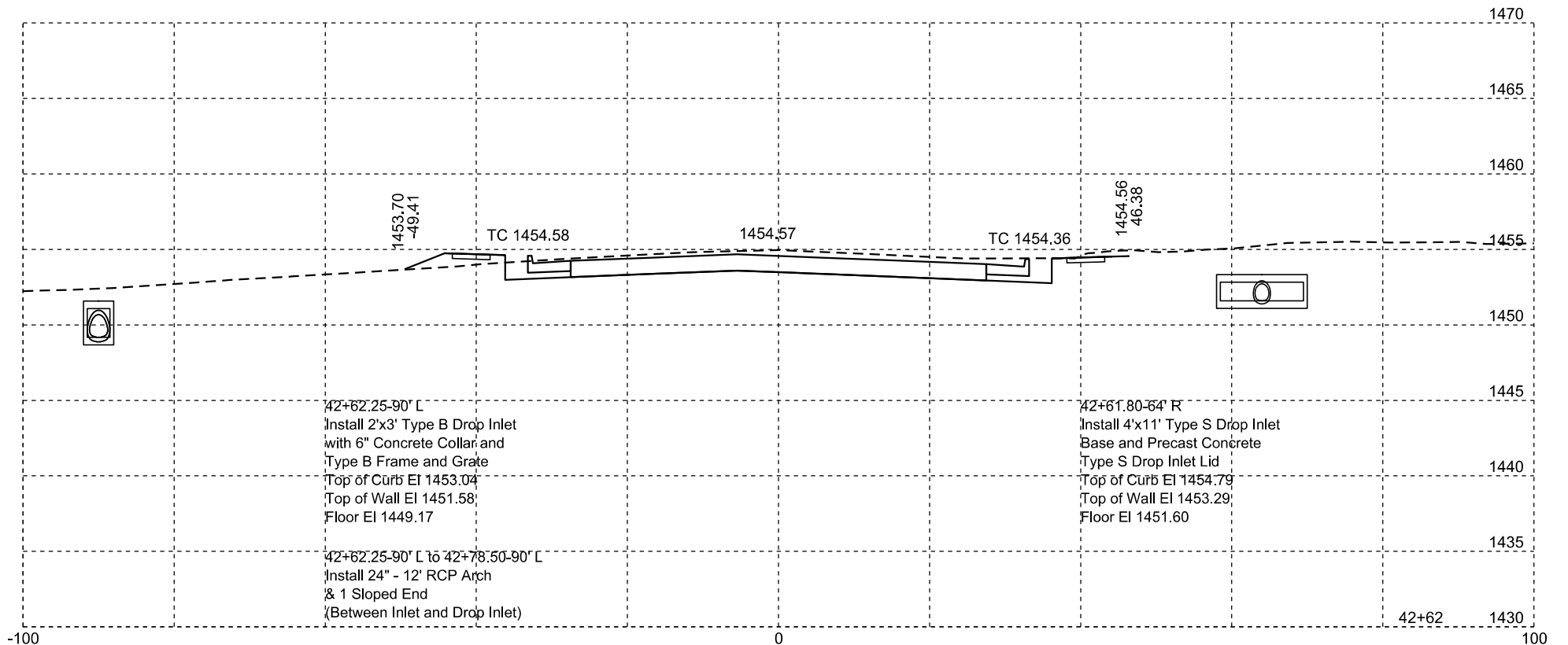
Plotting Date: 09/06/2024

| | | | |
|-----------------------------|-------------------|--------------|-----------------|
| STATE OF SOUTH DAKOTA | PROJECT | SHEET NO. | TOTAL SHEETS |
| | NH-CR 0046(69)288 | X100 | X139 |



42+90-32.17' R
 Install 2'x3' Type B Drop Inlet
 with 6" Concrete Collar and
 Type B Frame and Grate
 Top of Curb EI 1454.28
 Top of Wall EI 1452.82
 Floor EI 1450.08

42+90-32.17' R to 44+95-34.63' R
 Install 18" - 198' RCP
 (Between Drop Inlets)



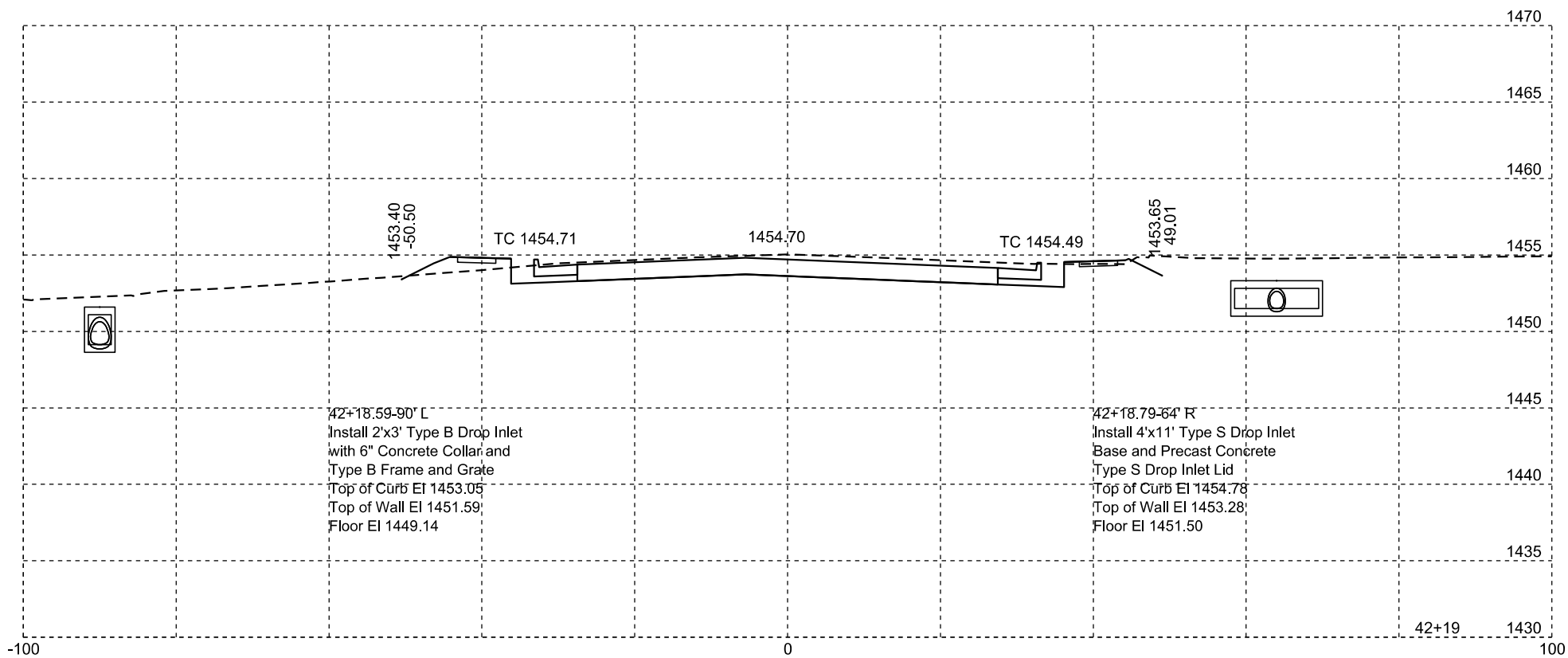
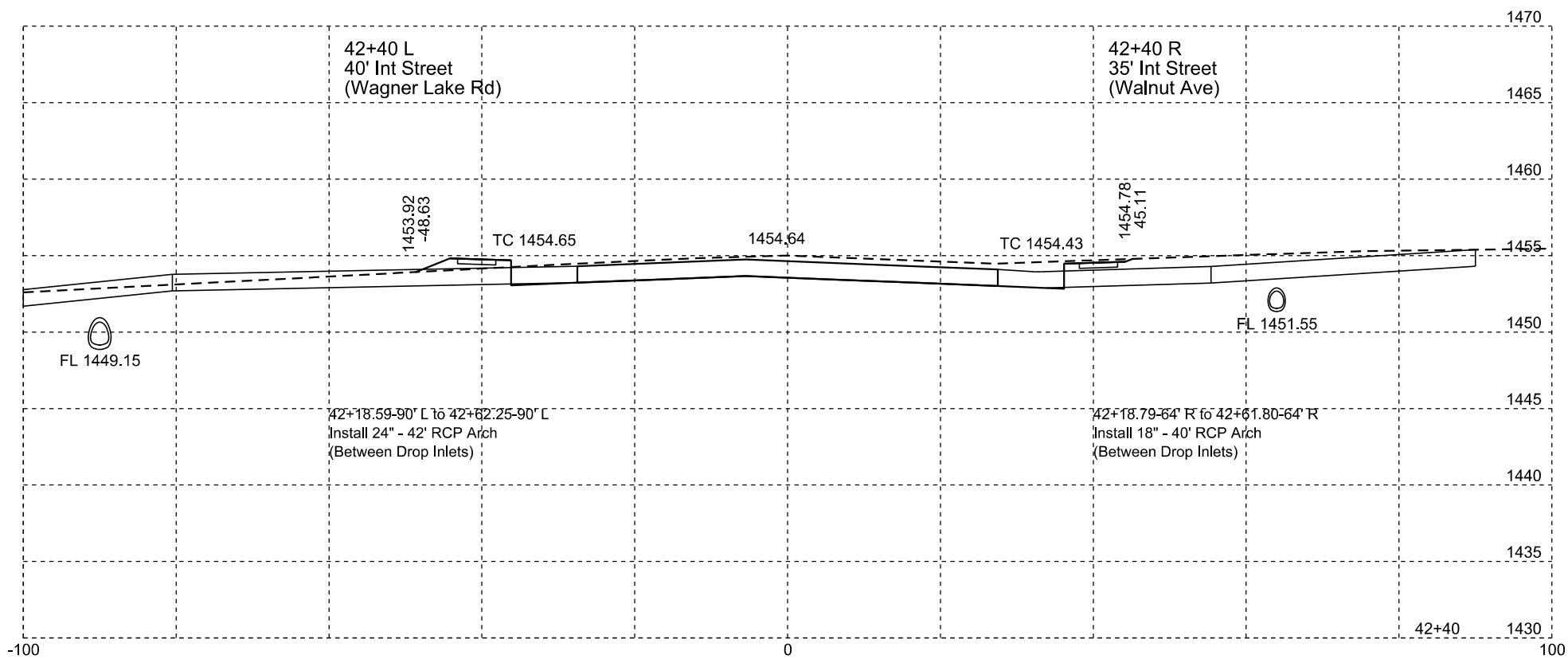
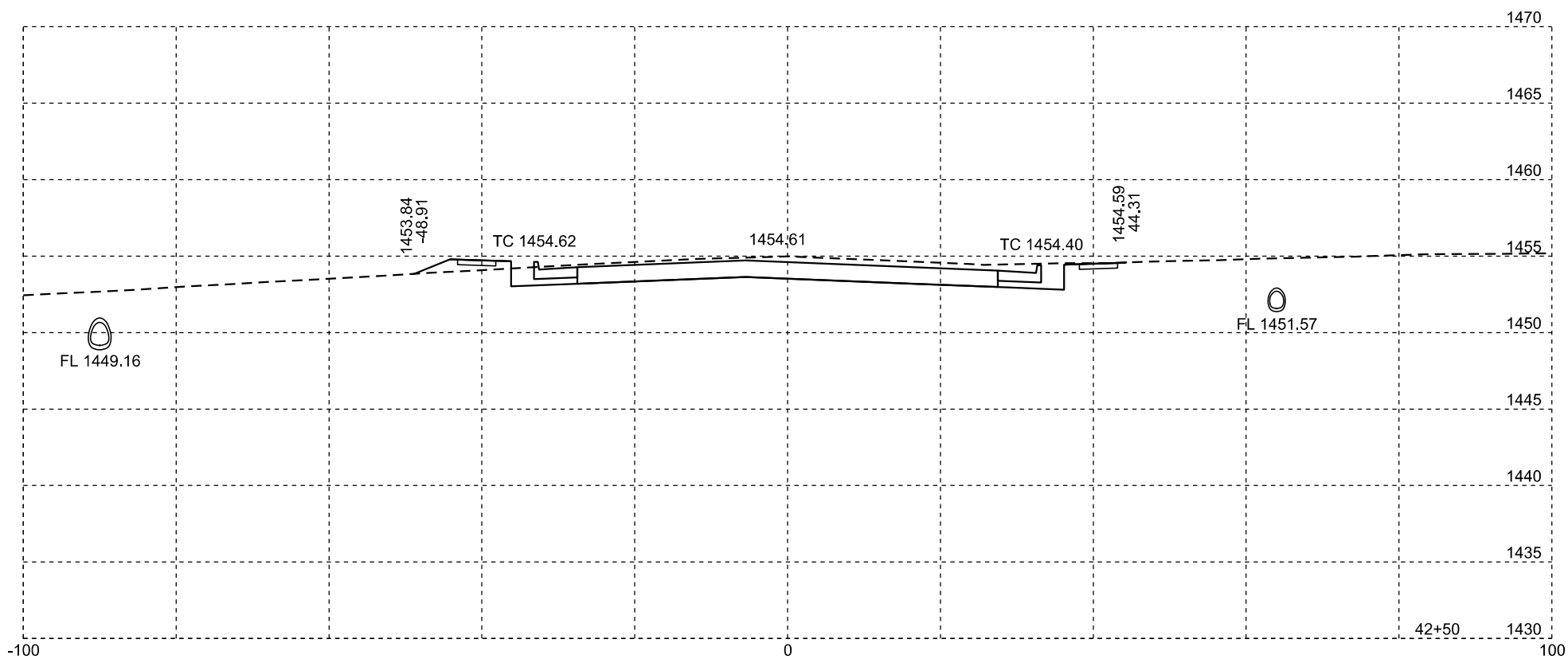
42+62.25-90' L
 Install 2'x3' Type B Drop Inlet
 with 6" Concrete Collar and
 Type B Frame and Grate
 Top of Curb EI 1453.04
 Top of Wall EI 1451.58
 Floor EI 1449.17

42+62.25-90' L to 42+78.50-90' L
 Install 24" - 12' RCP Arch
 & 1 Sloped End
 (Between Inlet and Drop Inlet)

42+61.80-64' R
 Install 4'x11' Type S Drop Inlet
 Base and Precast Concrete
 Type S Drop Inlet Lid
 Top of Curb EI 1454.79
 Top of Wall EI 1453.29
 Floor EI 1451.60

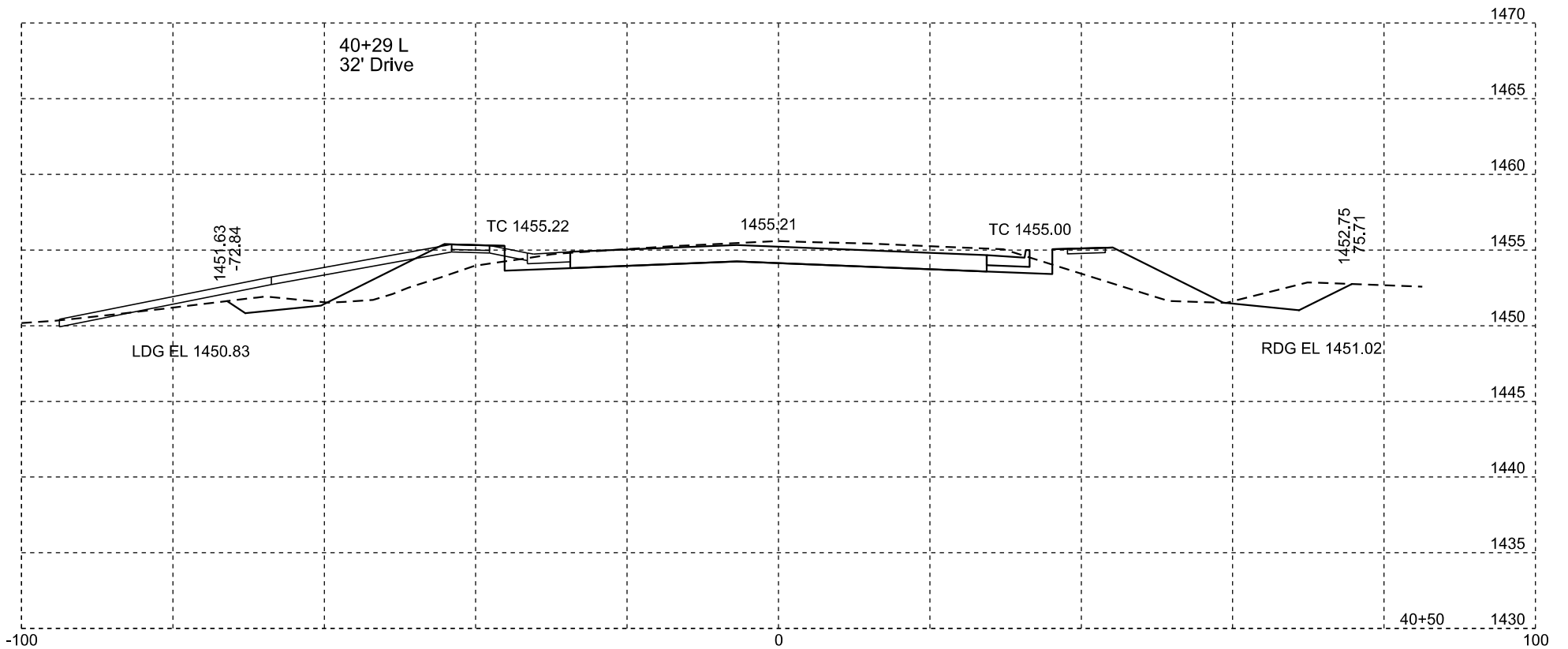
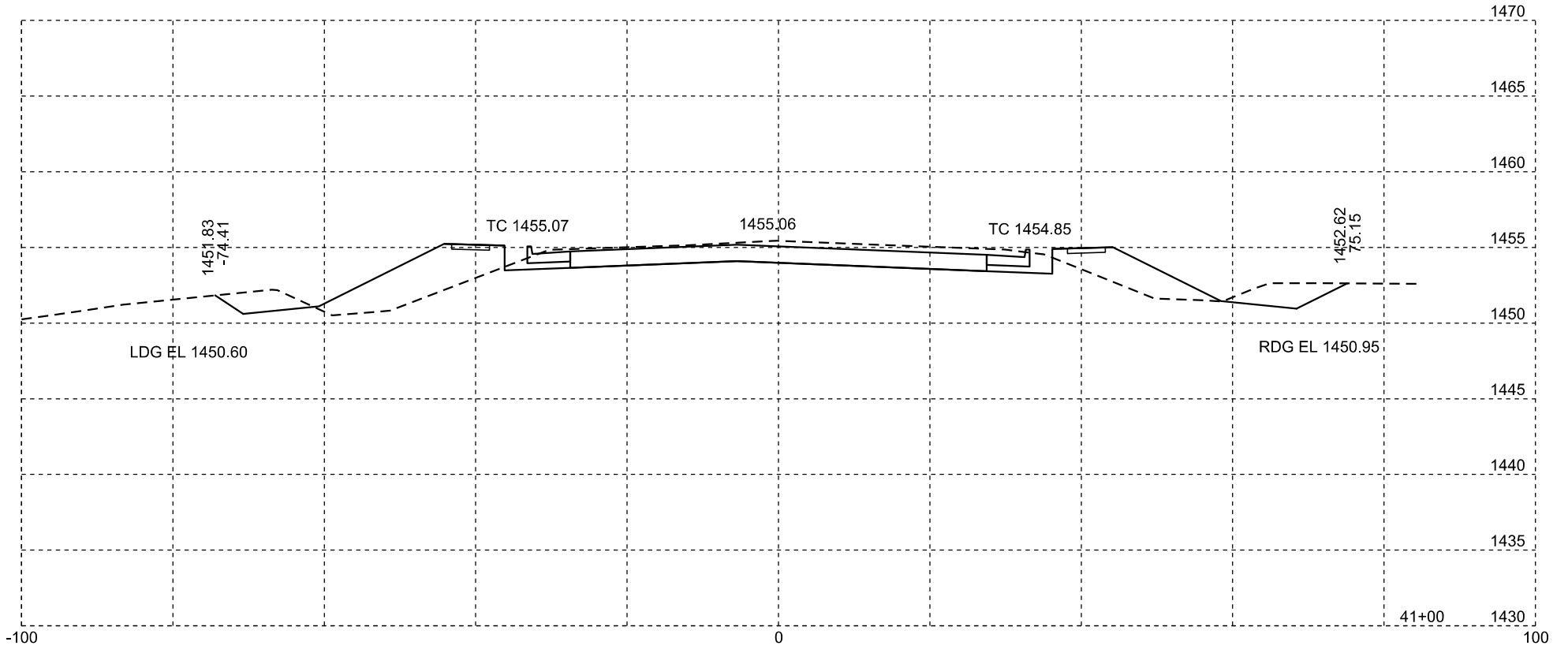
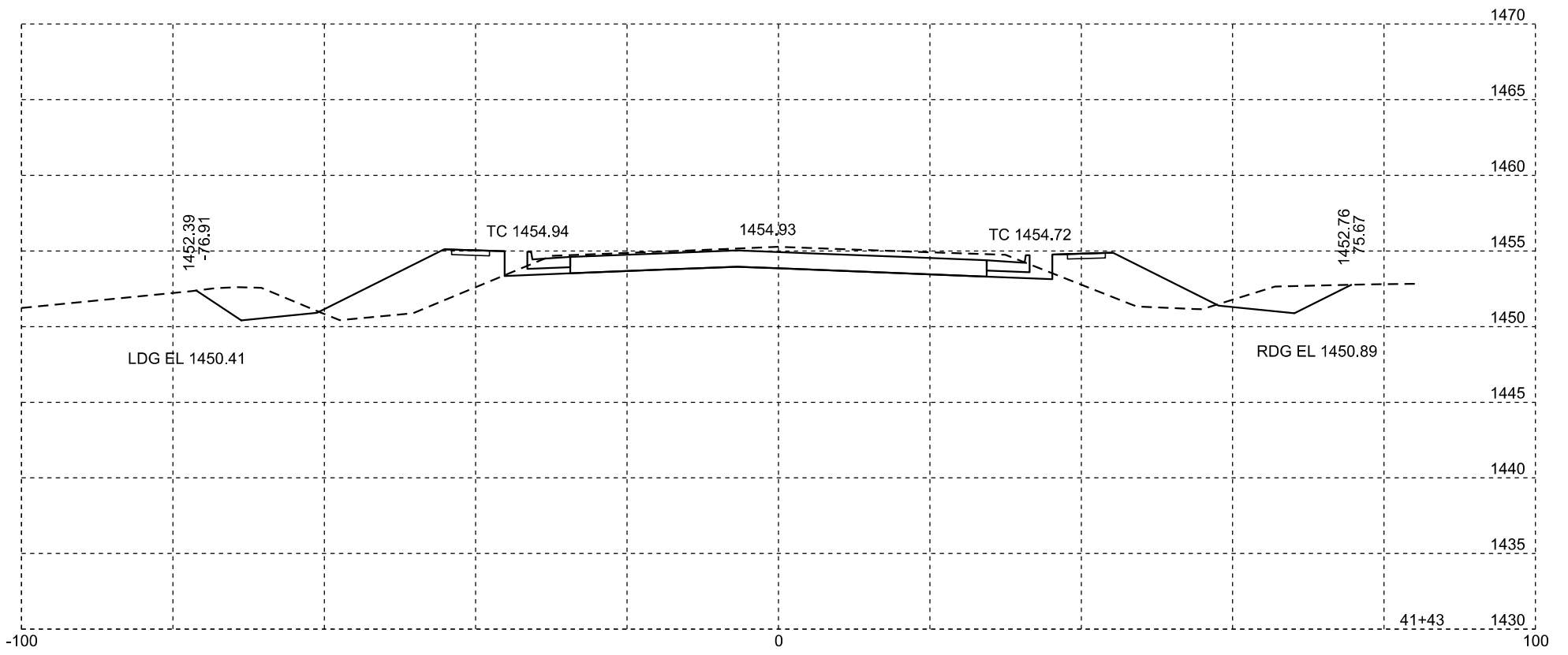
Plotting Date: 09/06/2024

| | | | |
|-----------------------------|-------------------|--------------|-----------------|
| STATE OF SOUTH DAKOTA | PROJECT | SHEET NO. | TOTAL SHEETS |
| | NH-CR 0046(69)288 | X101 | X139 |

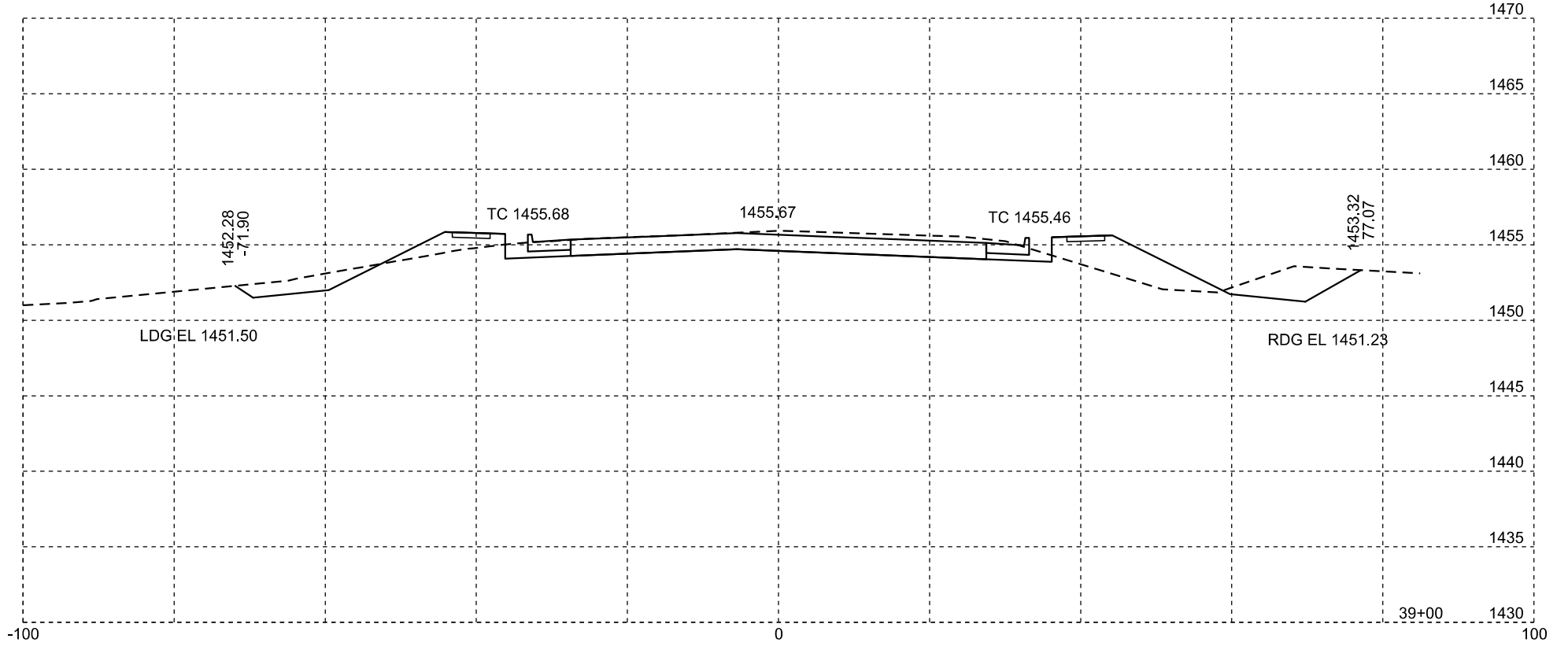
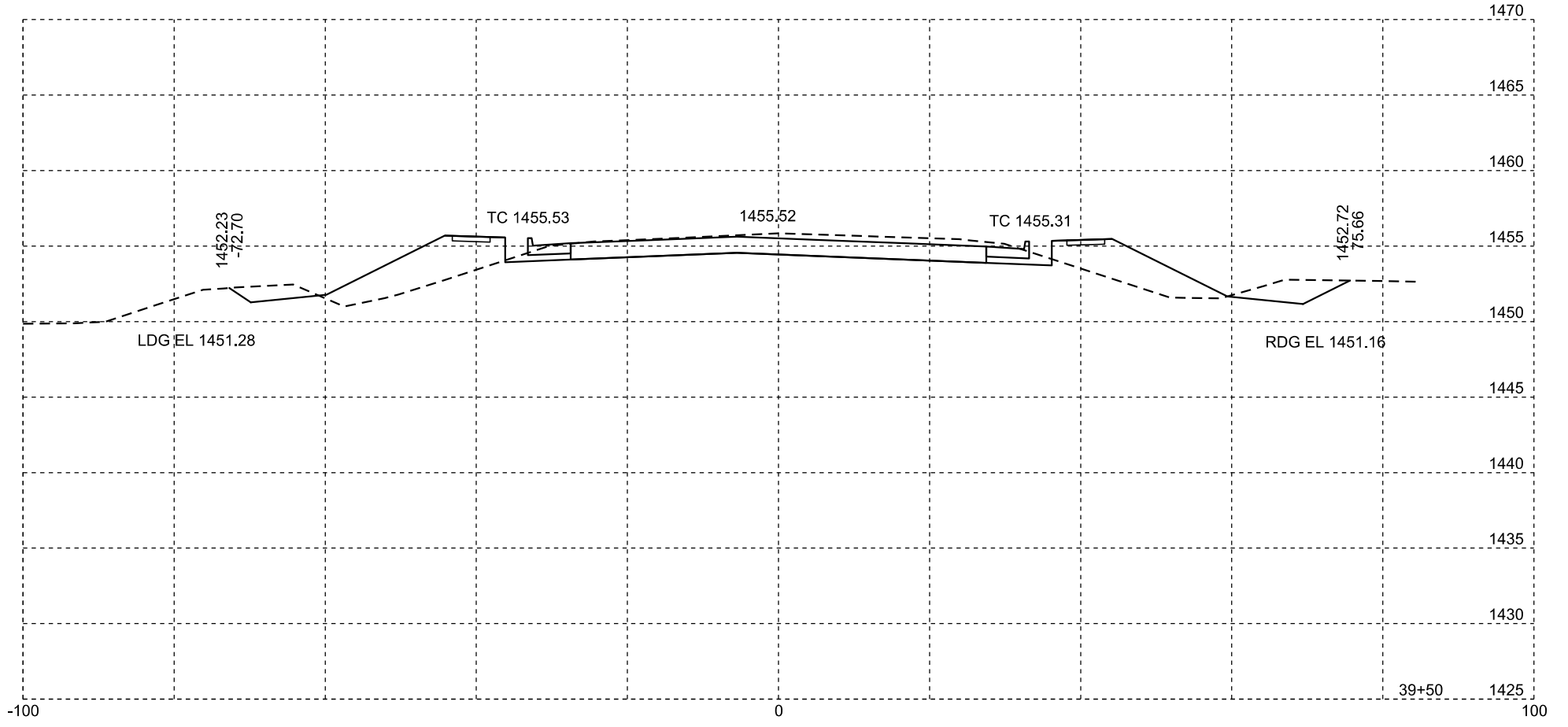
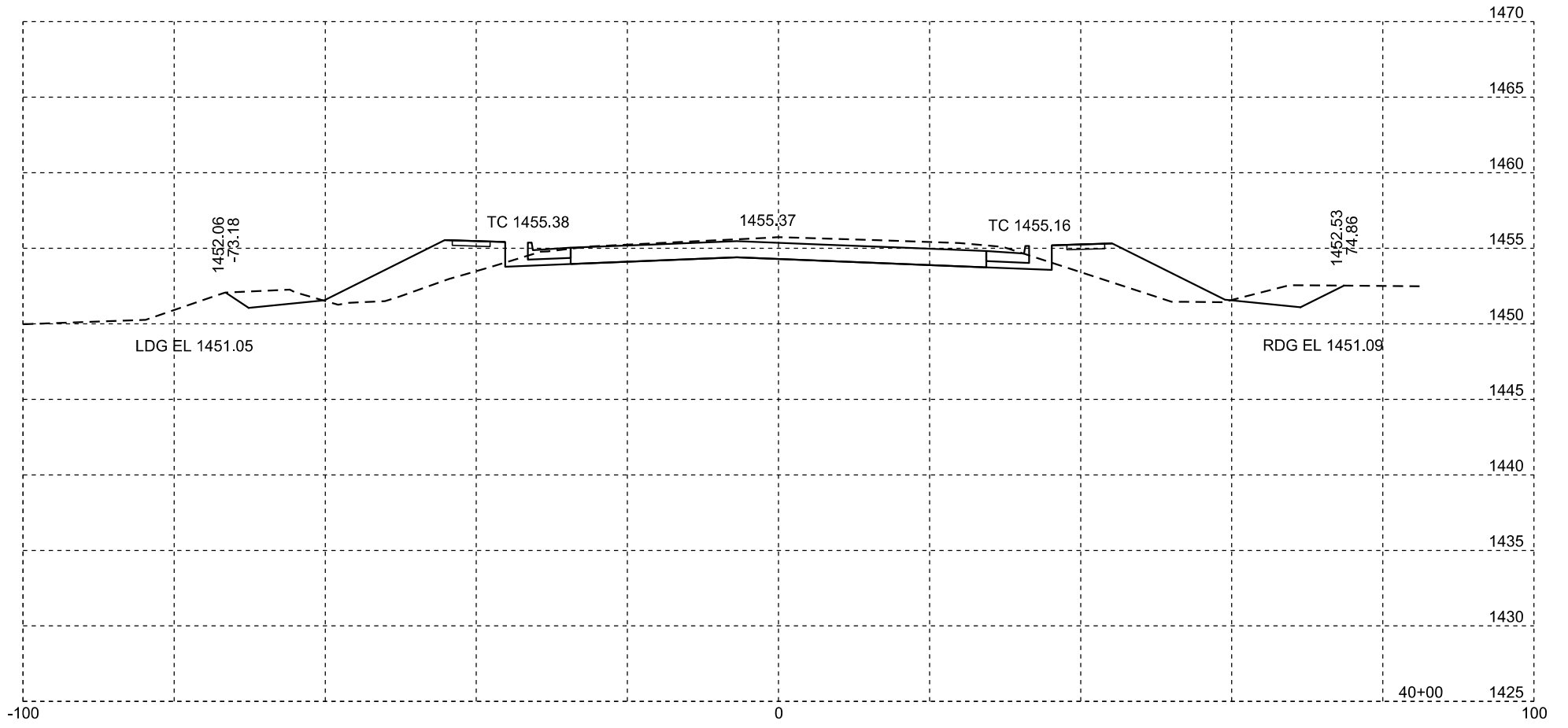


Plotting Date: 09/06/2024

| | | | |
|-----------------------------|-------------------|--------------|-----------------|
| STATE OF SOUTH DAKOTA | PROJECT | SHEET NO. | TOTAL SHEETS |
| | NH-CR 0046(69)288 | X102 | X139 |

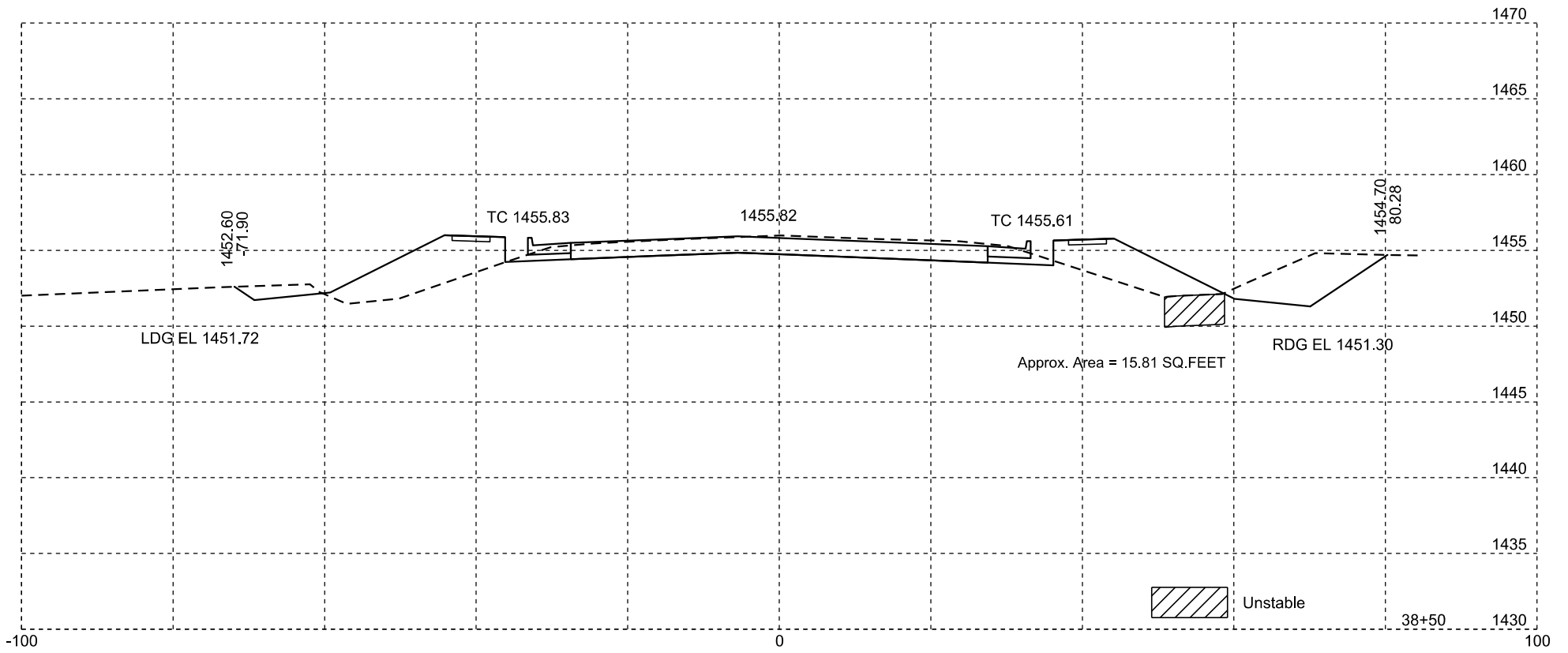
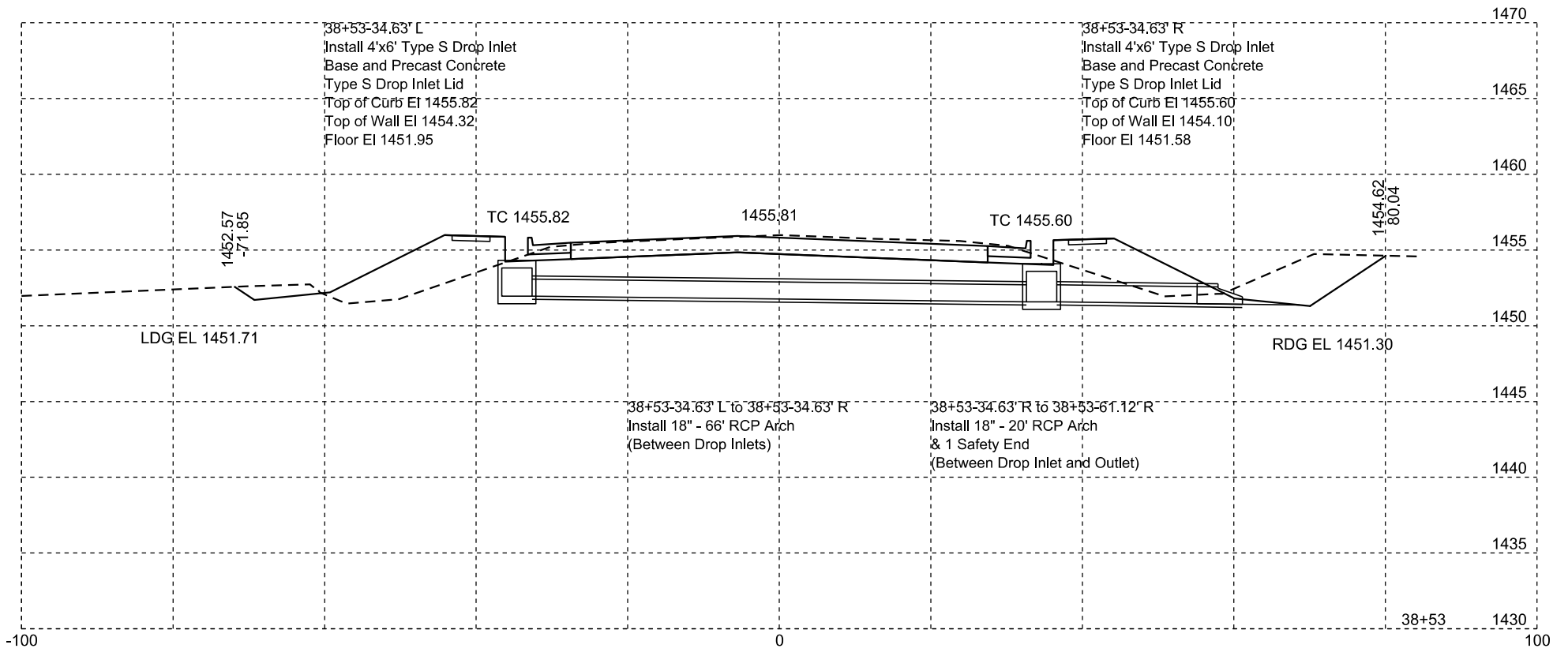
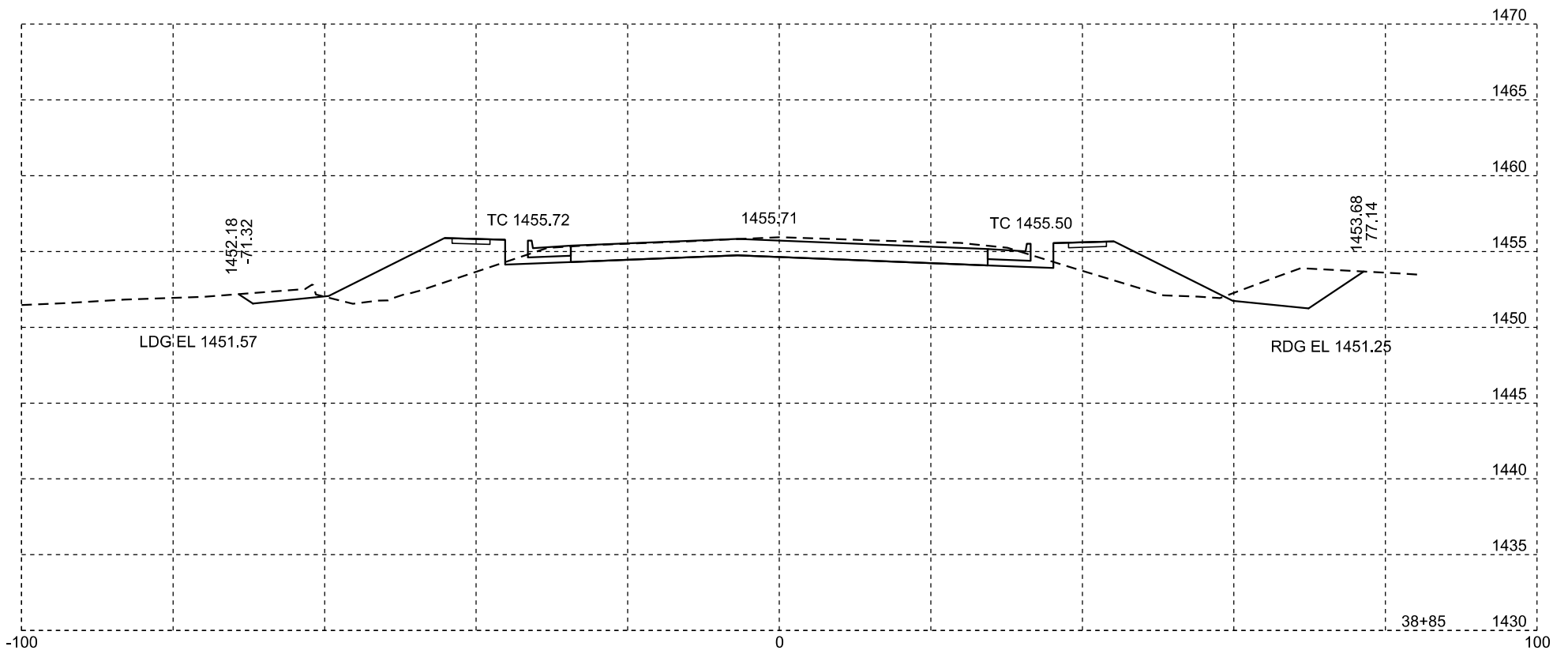


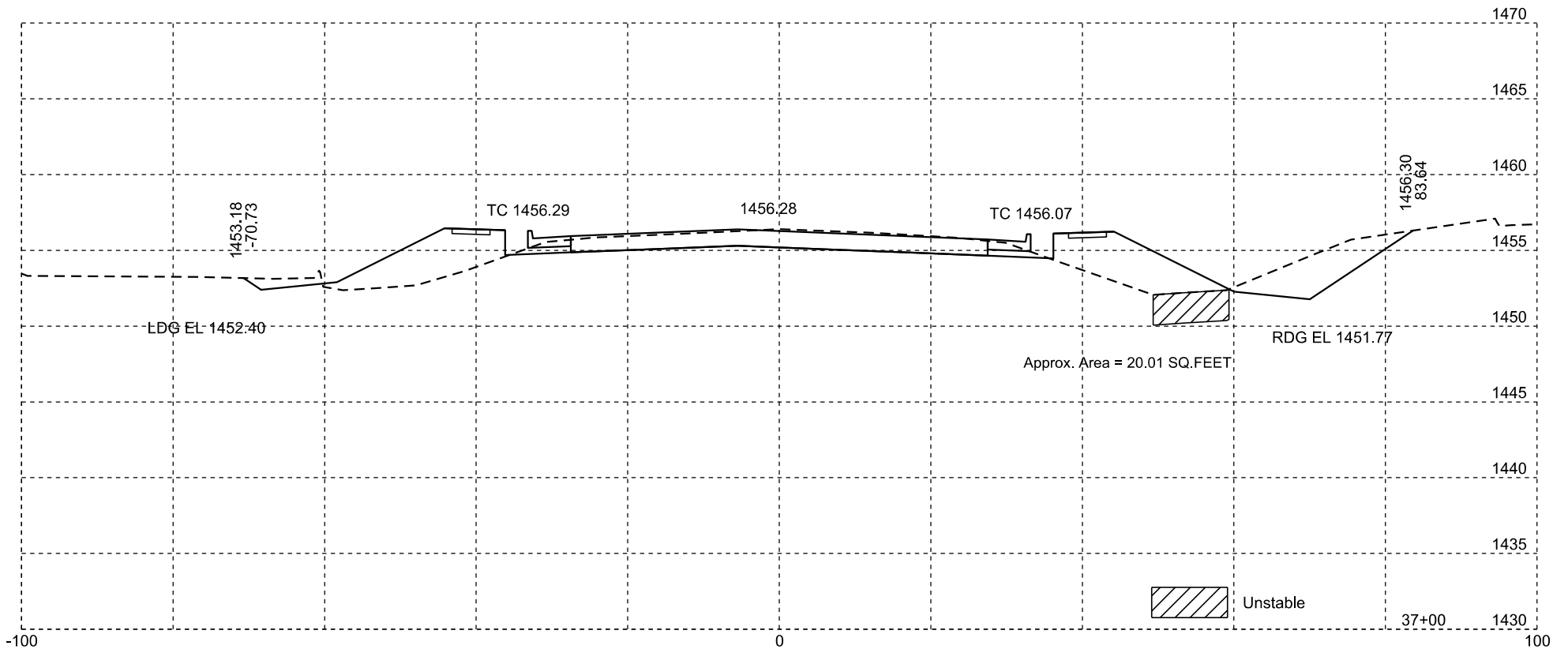
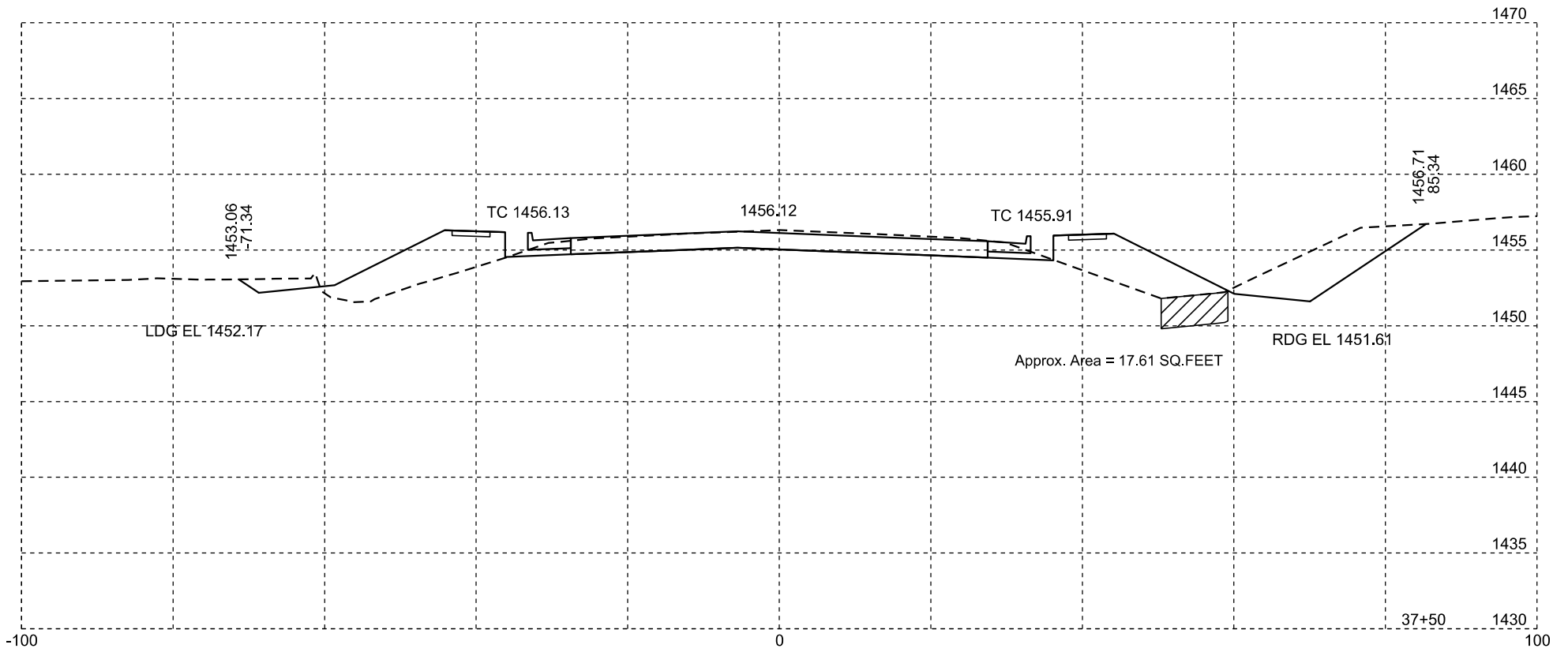
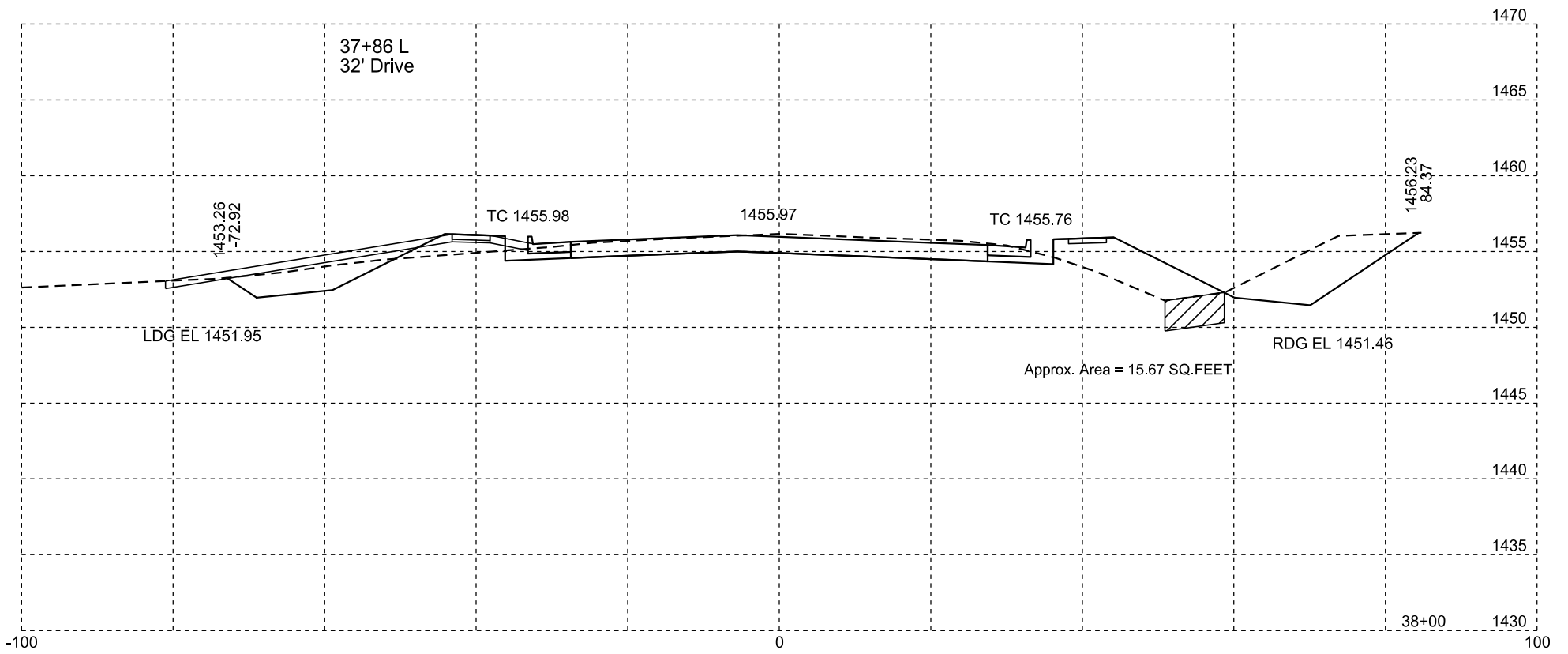
40+29 L
32' Drive



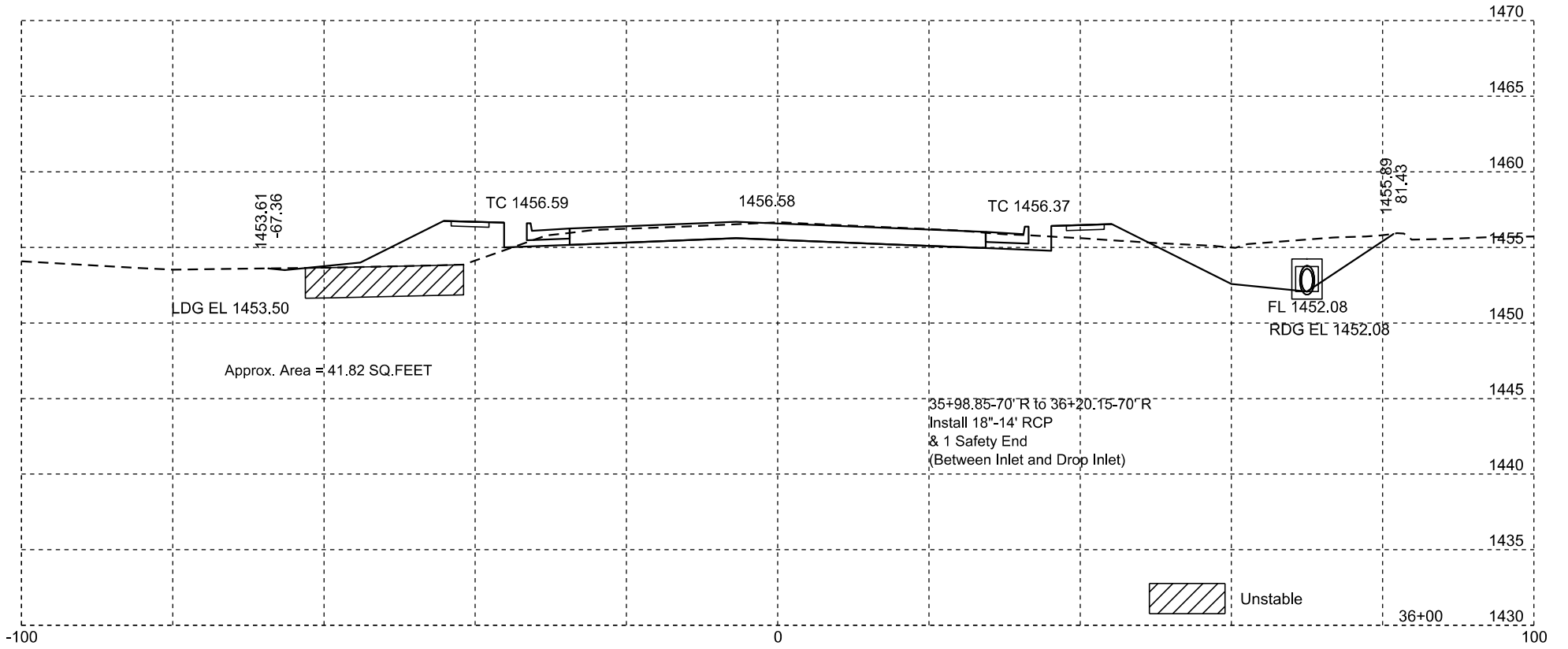
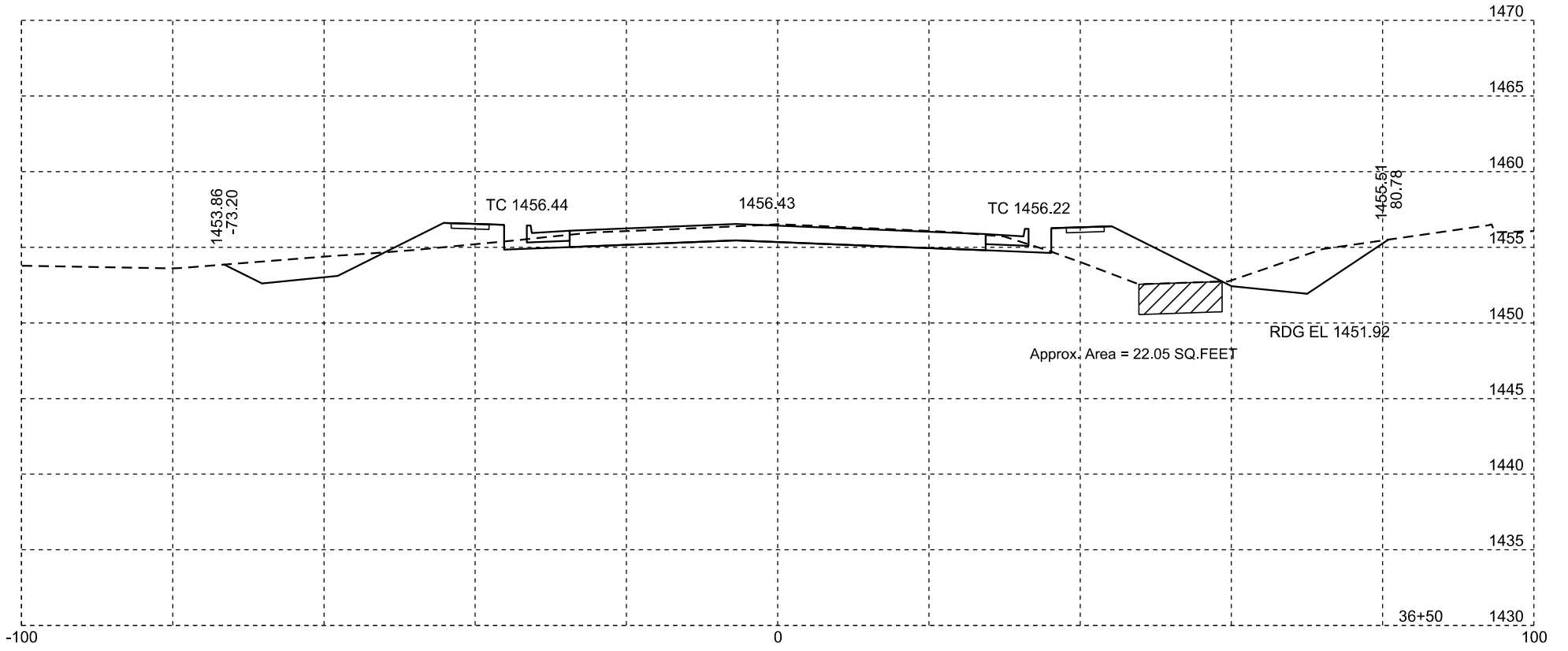
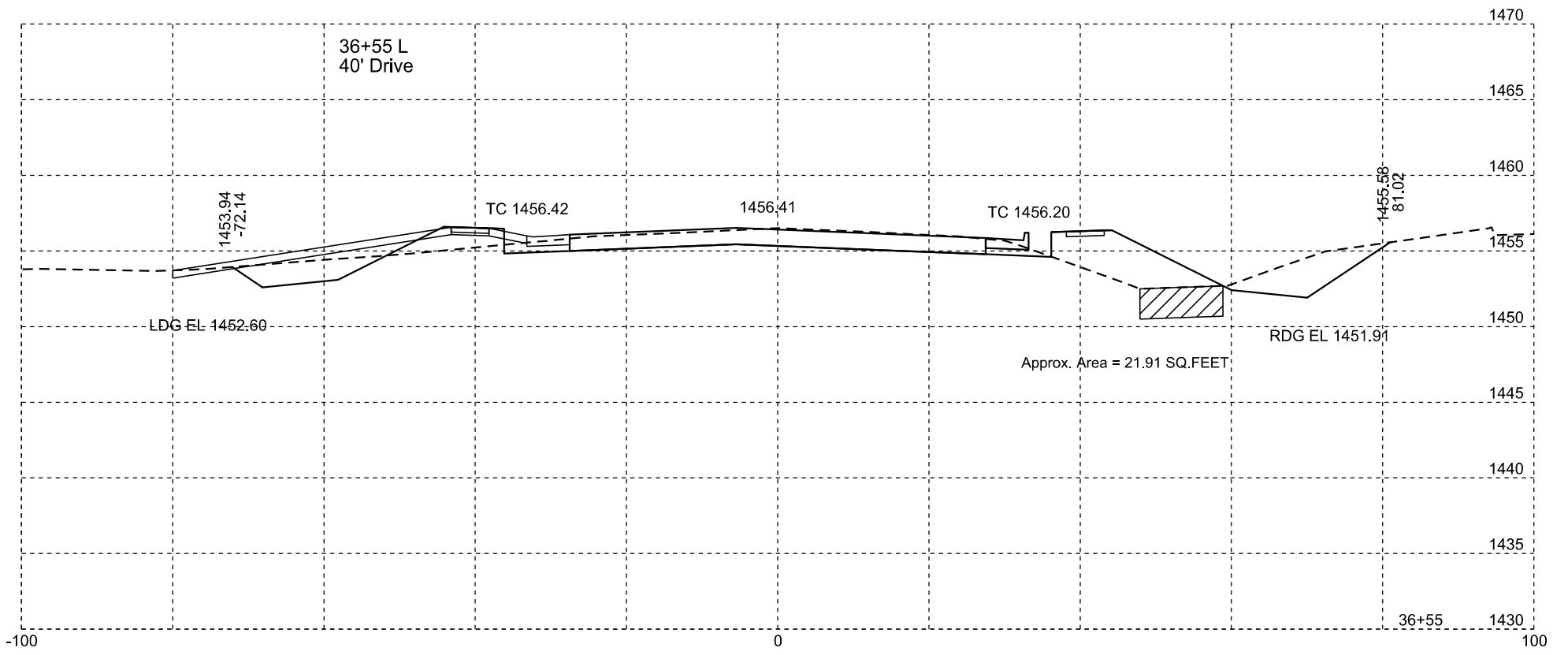
Plotting Date: 09/06/2024

| | | | |
|-----------------------------|-------------------|--------------|-----------------|
| STATE OF SOUTH DAKOTA | PROJECT | SHEET NO. | TOTAL SHEETS |
| | NH-CR 0046(69)288 | X105 | X139 |



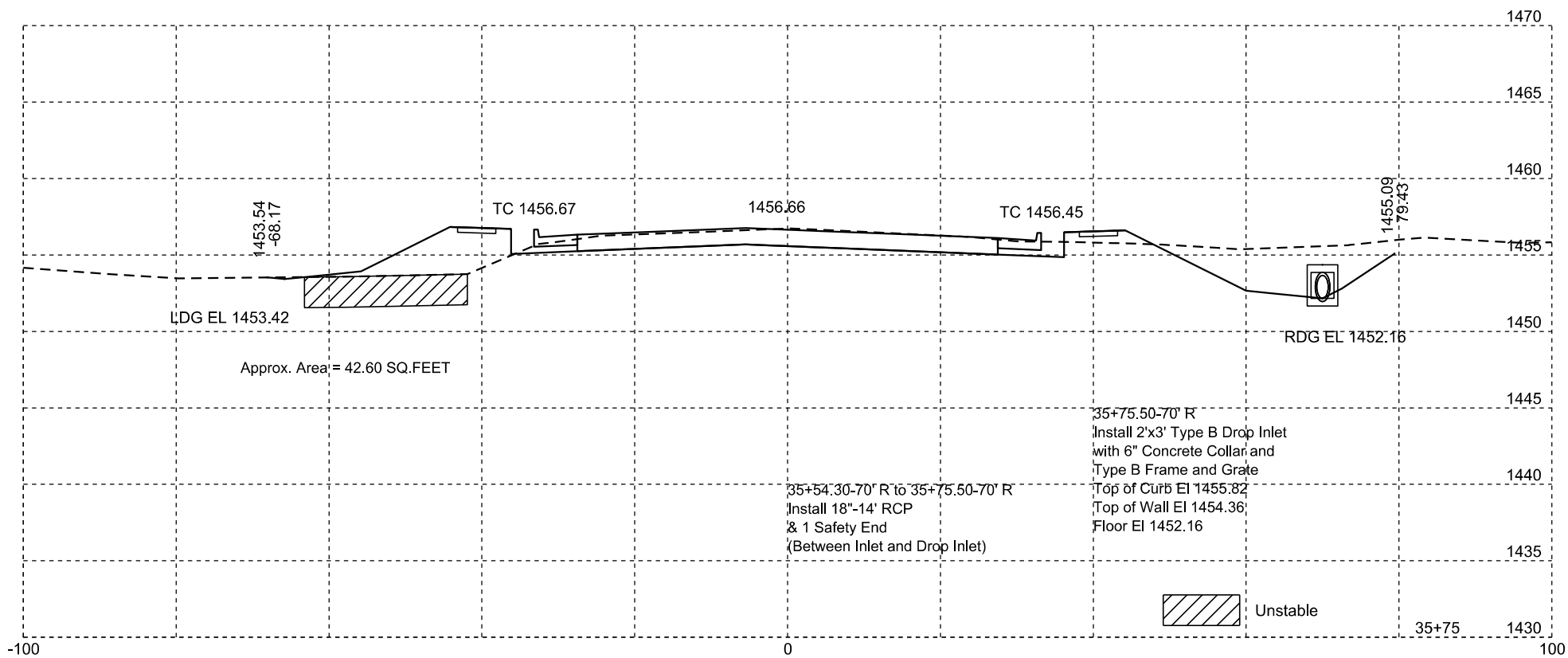
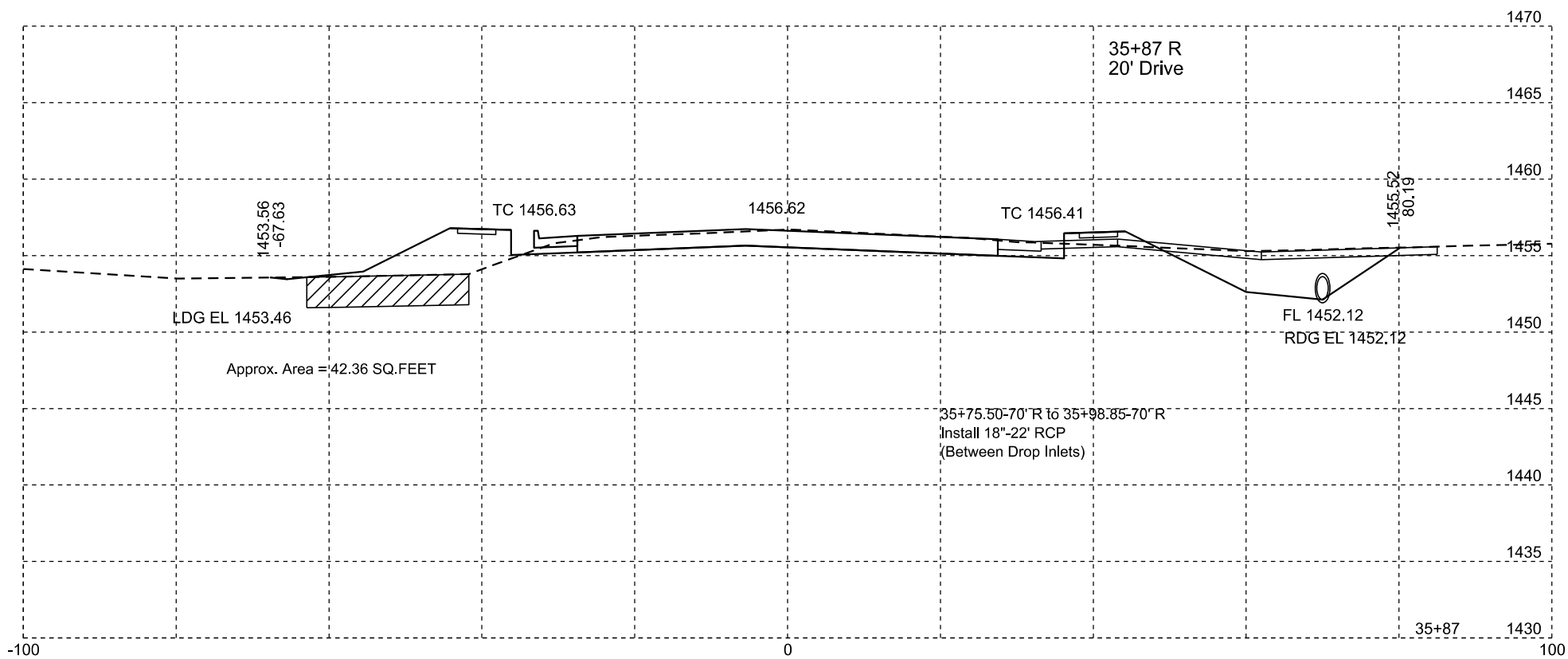
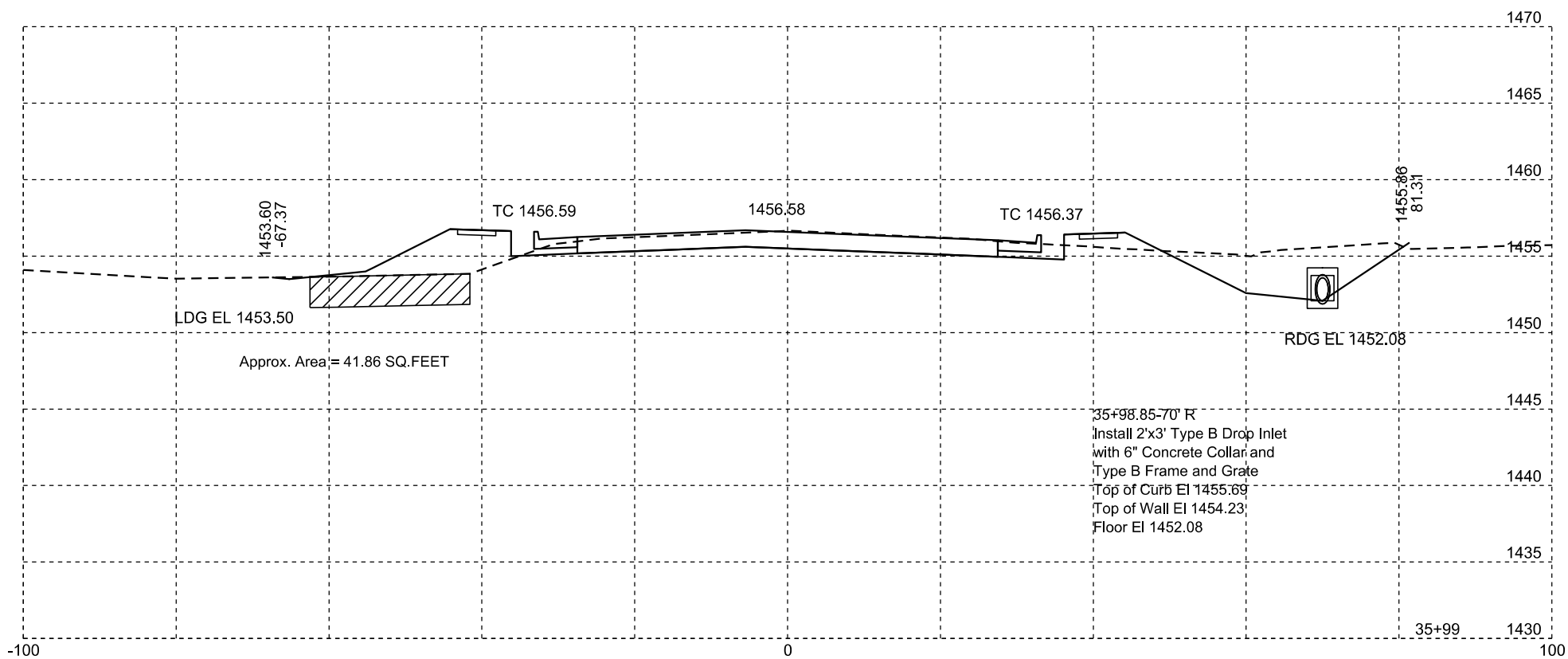


 Unstable



Plotting Date: 09/06/2024

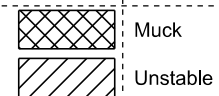
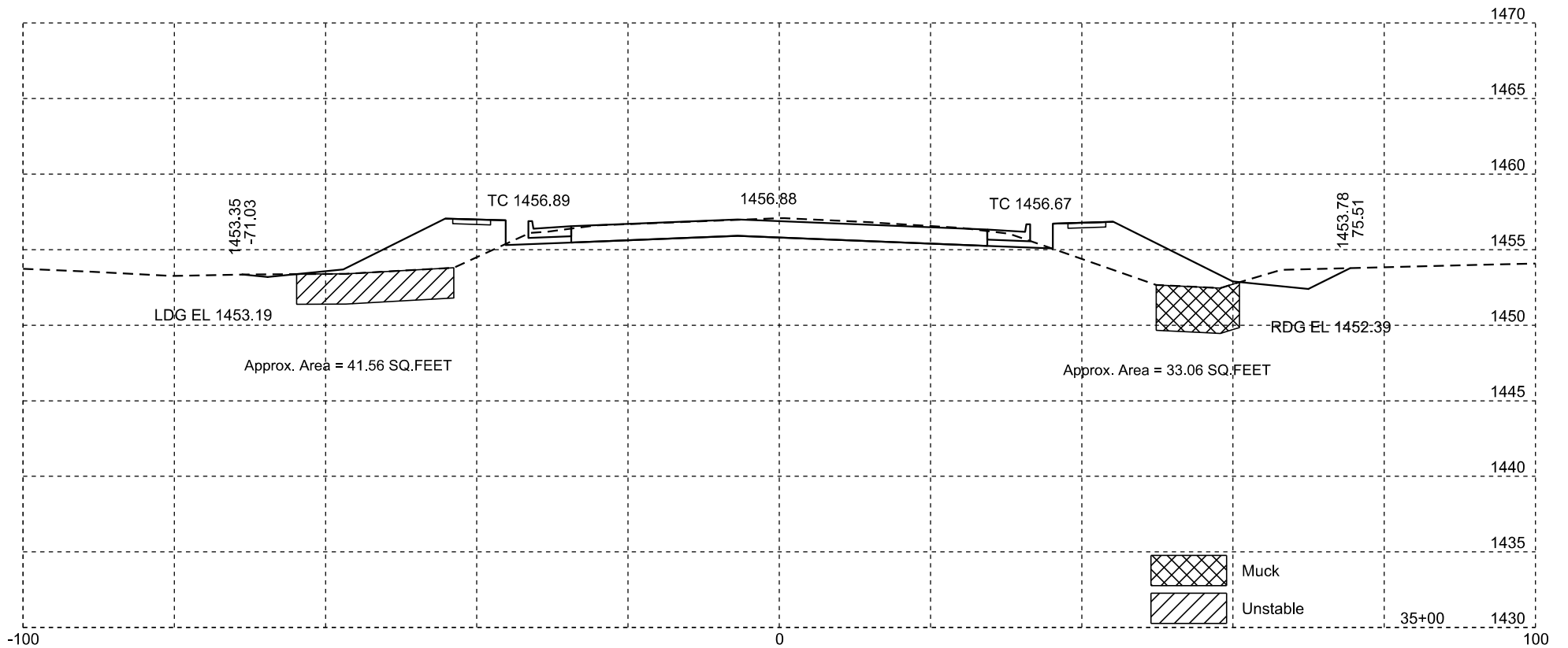
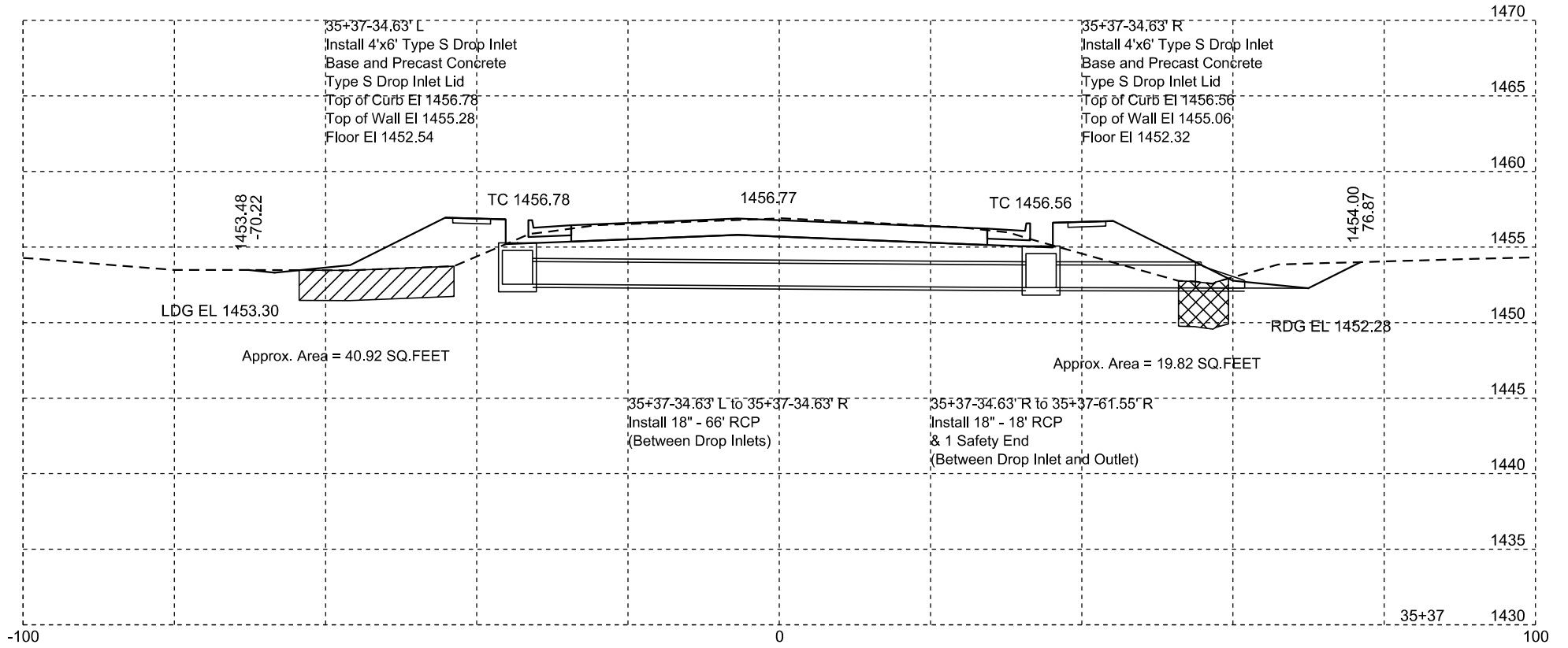
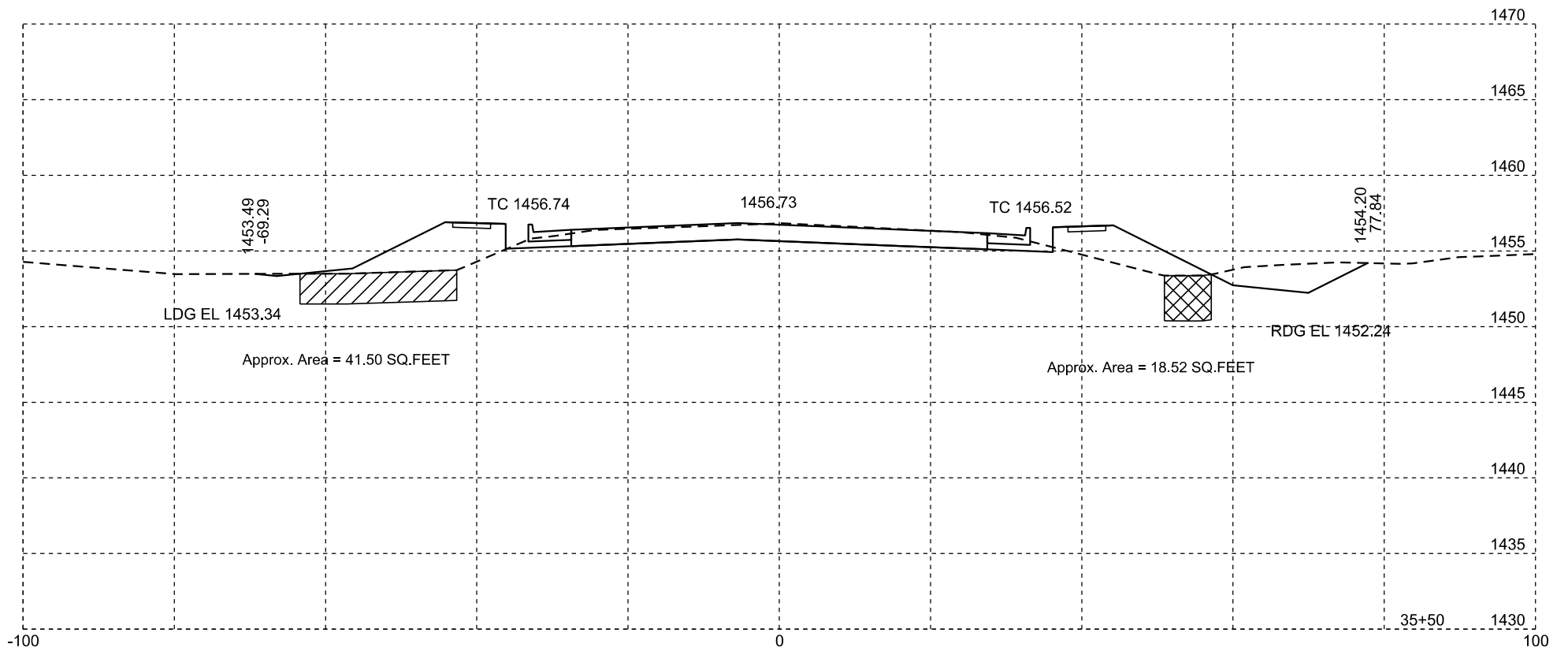
| | | | |
|-----------------------------|-------------------|--------------|-----------------|
| STATE OF SOUTH DAKOTA | PROJECT | SHEET NO. | TOTAL SHEETS |
| | NH-CR 0046(69)288 | X108 | X139 |



| | | | |
|-----------------------------|-------------------|--------------|-----------------|
| STATE OF SOUTH DAKOTA | PROJECT | SHEET NO. | TOTAL SHEETS |
| | NH-CR 0046(69)288 | X109 | X139 |

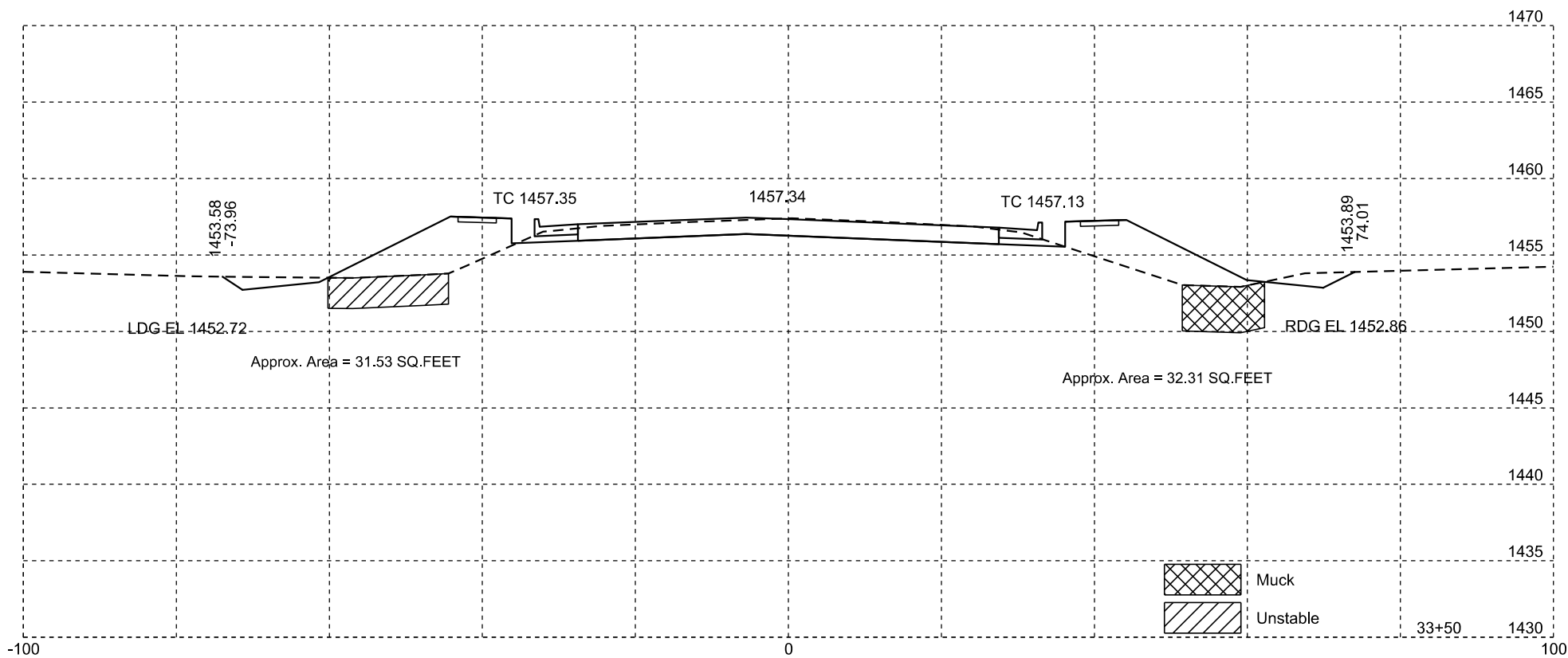
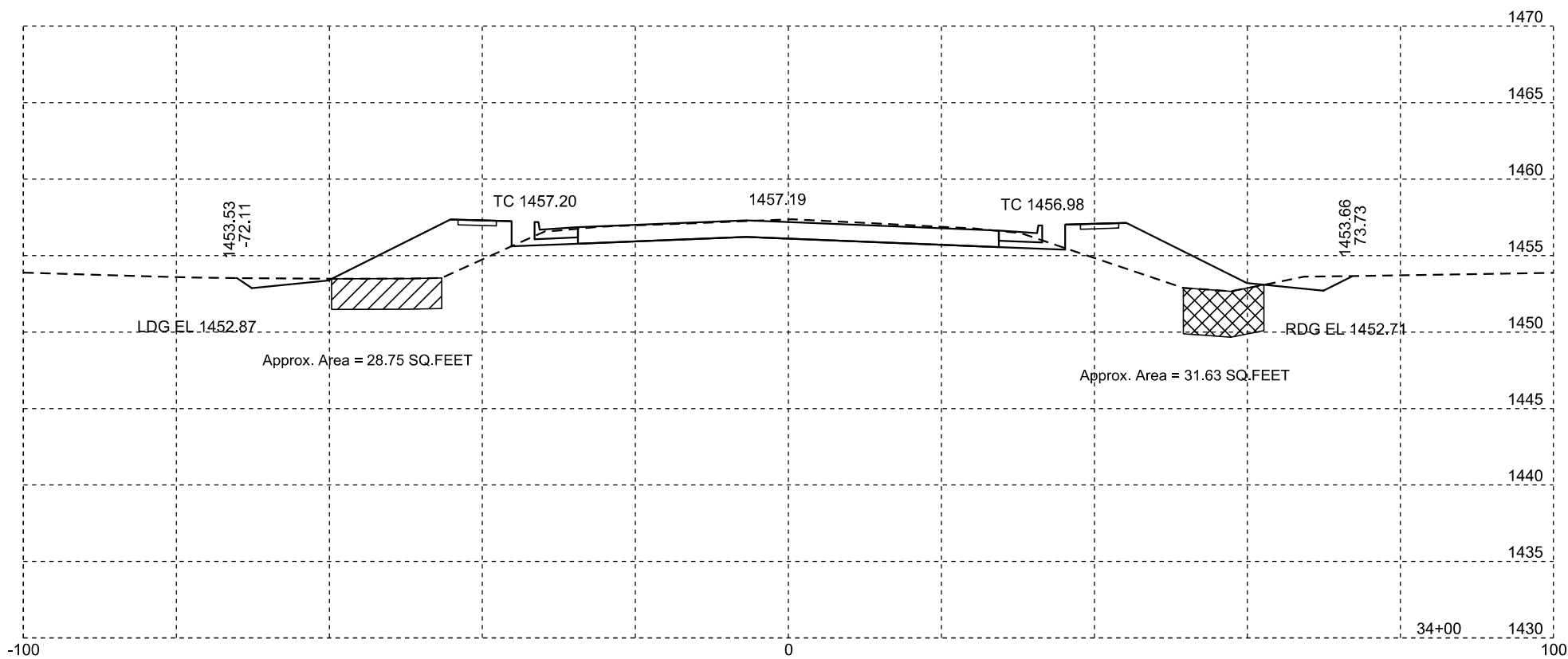
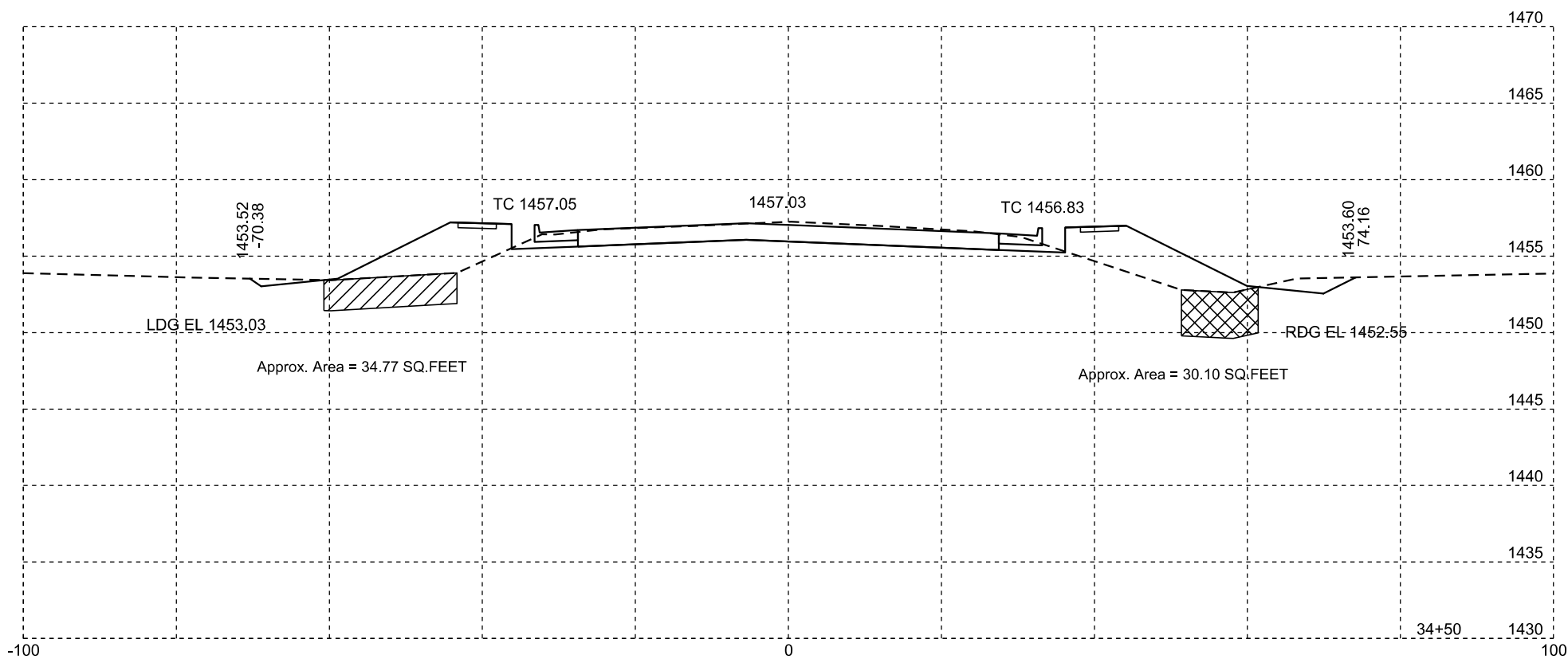
Plotting Date: 09/06/2024



 Unstable



Plotting Date: 09/06/2024

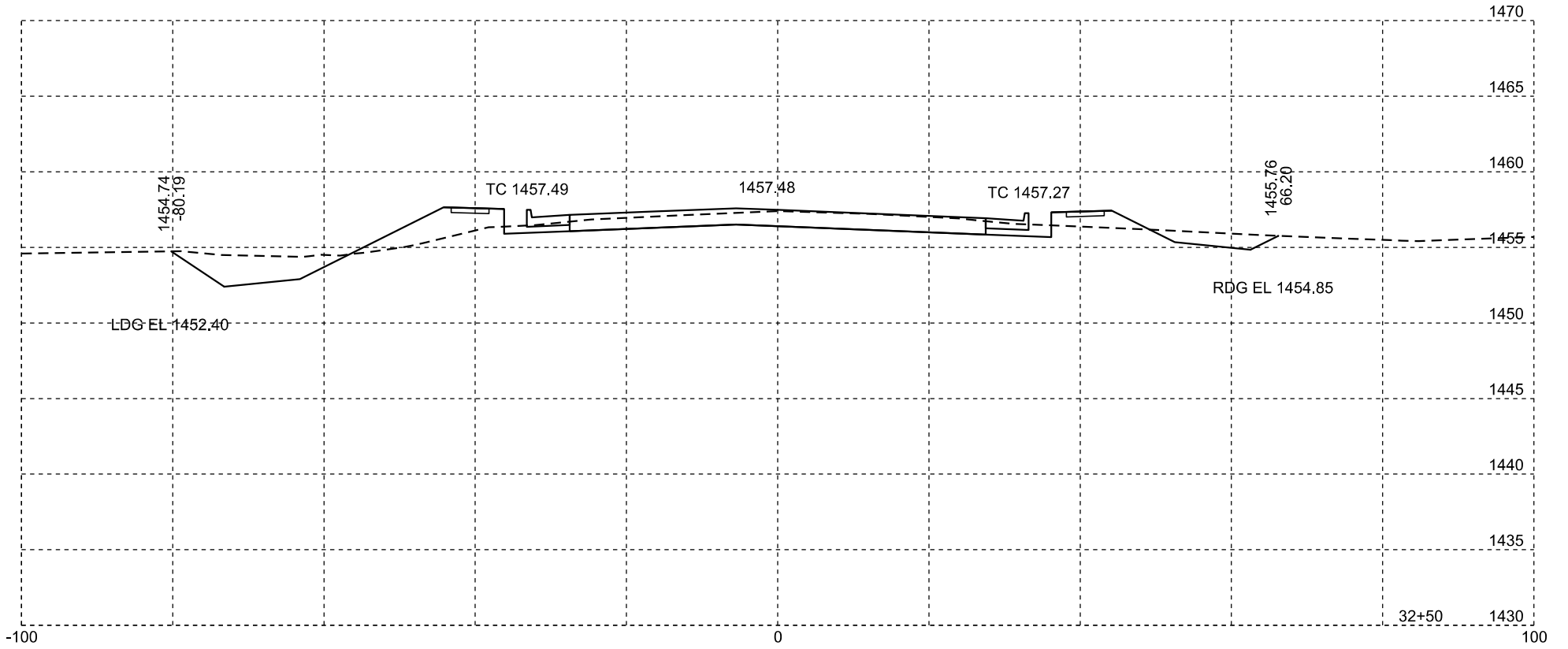
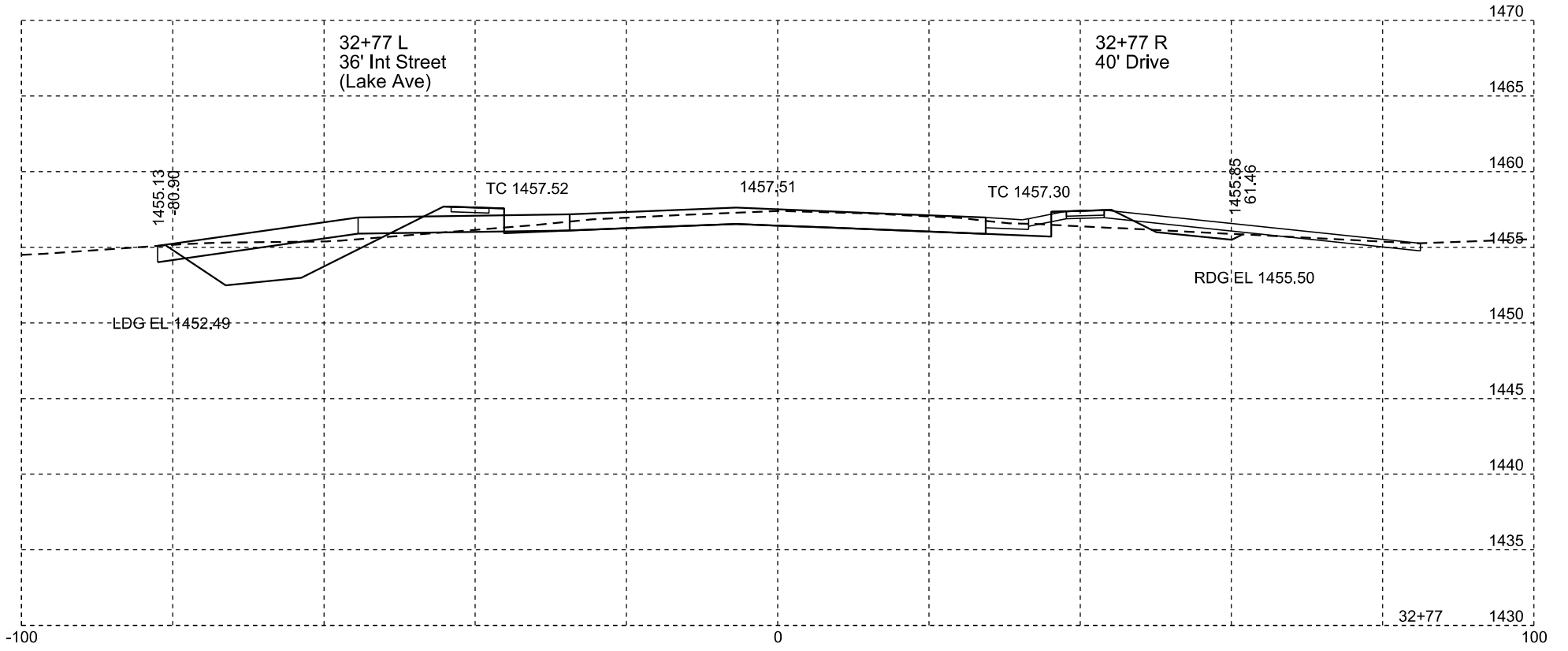
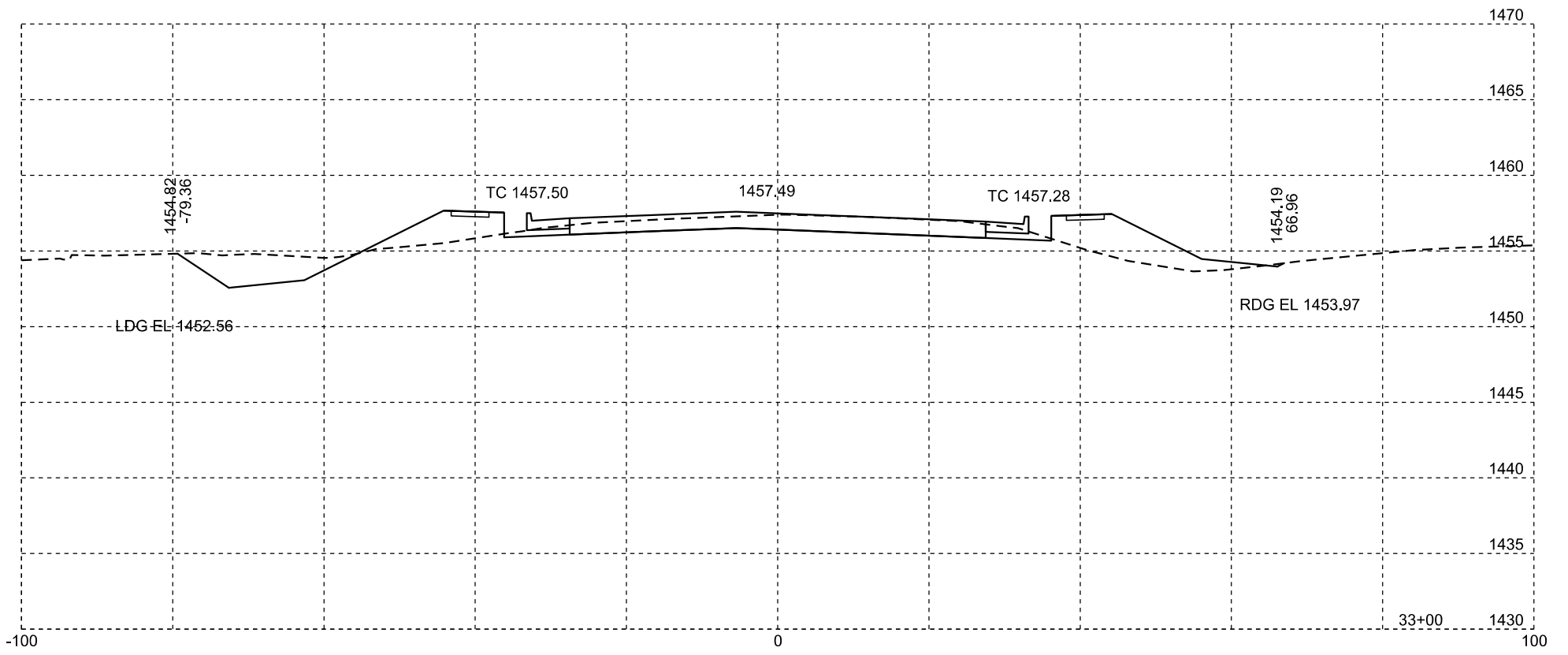
| | | | |
|-----------------------------|-------------------|--------------|-----------------|
| STATE OF SOUTH DAKOTA | PROJECT | SHEET NO. | TOTAL SHEETS |
| | NH-CR 0046(69)288 | X110 | X139 |



 Muck
 Unstable

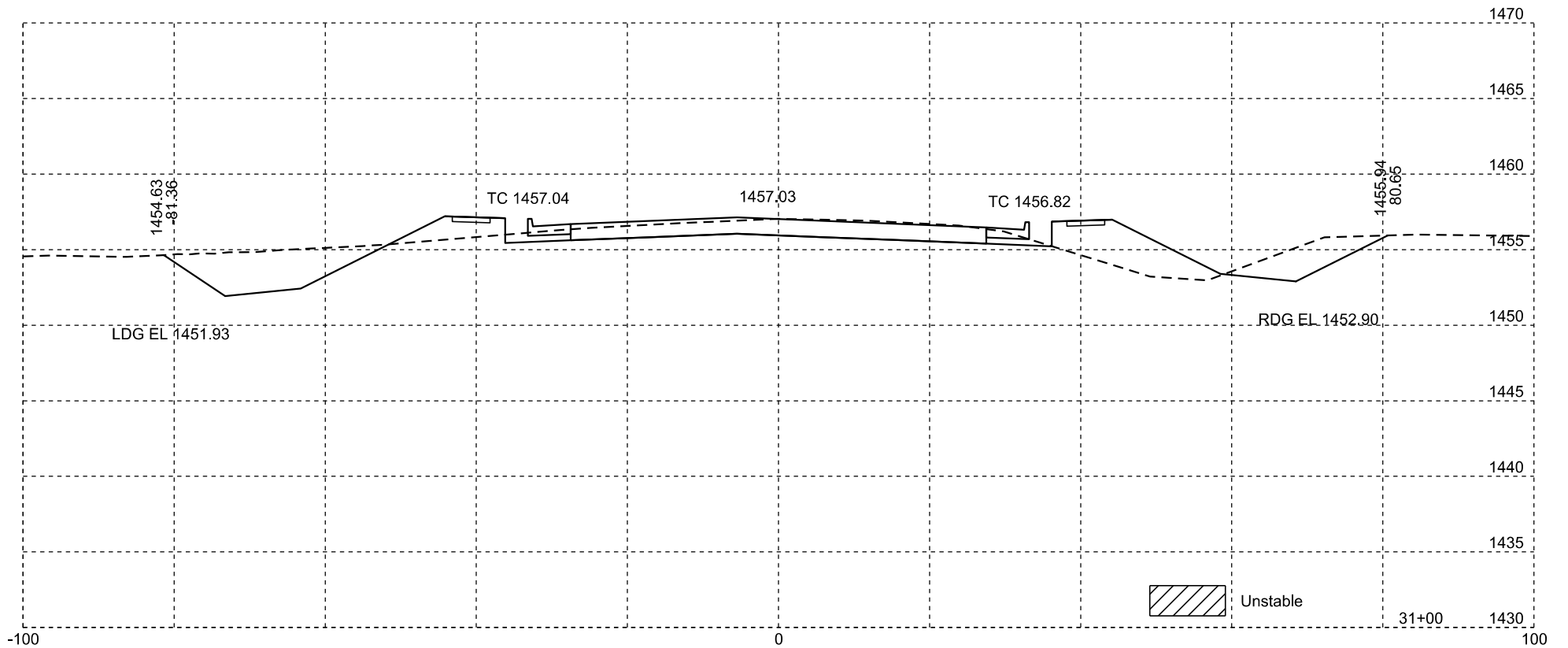
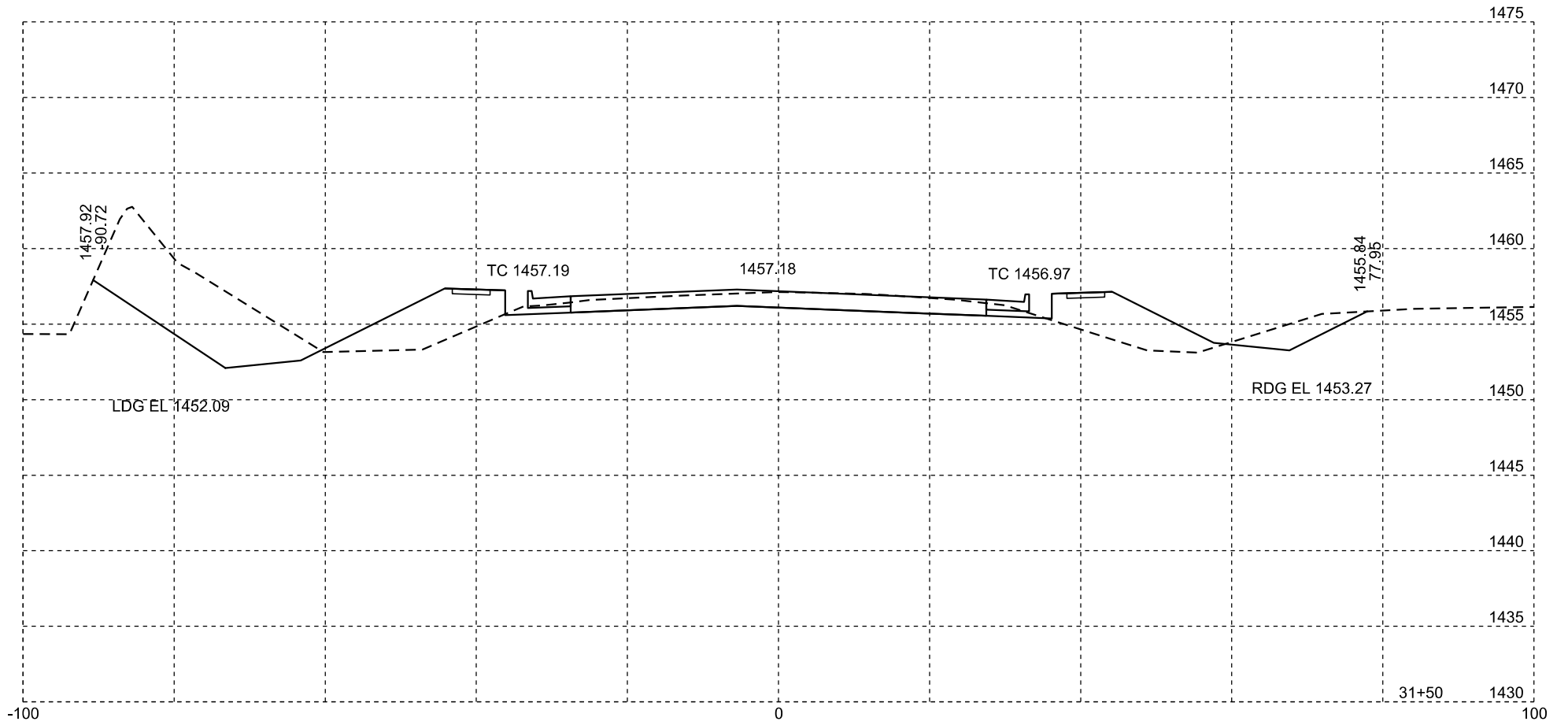
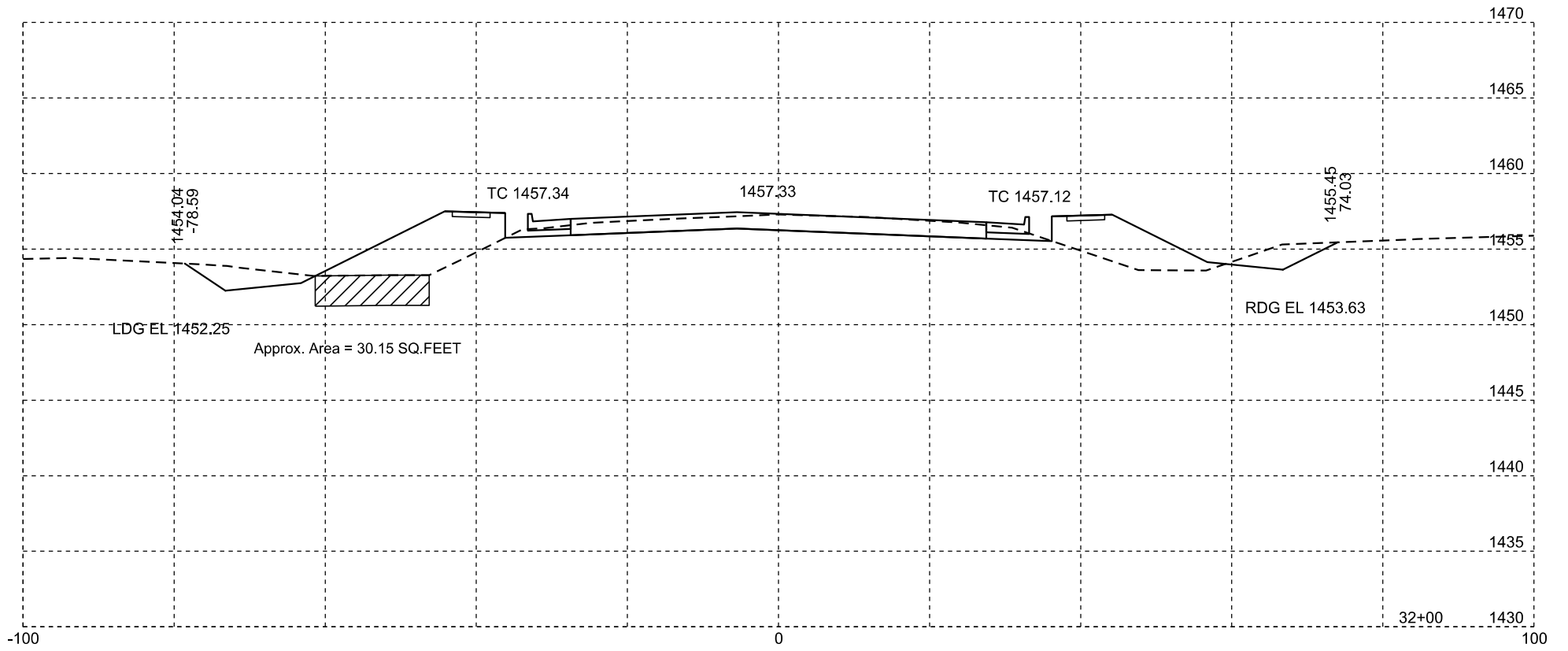
Plotting Date: 09/06/2024

| | | | |
|-----------------------|-------------------|-----------|--------------|
| STATE OF SOUTH DAKOTA | PROJECT | SHEET NO. | TOTAL SHEETS |
| | NH-CR 0046(69)288 | X111 | X139 |



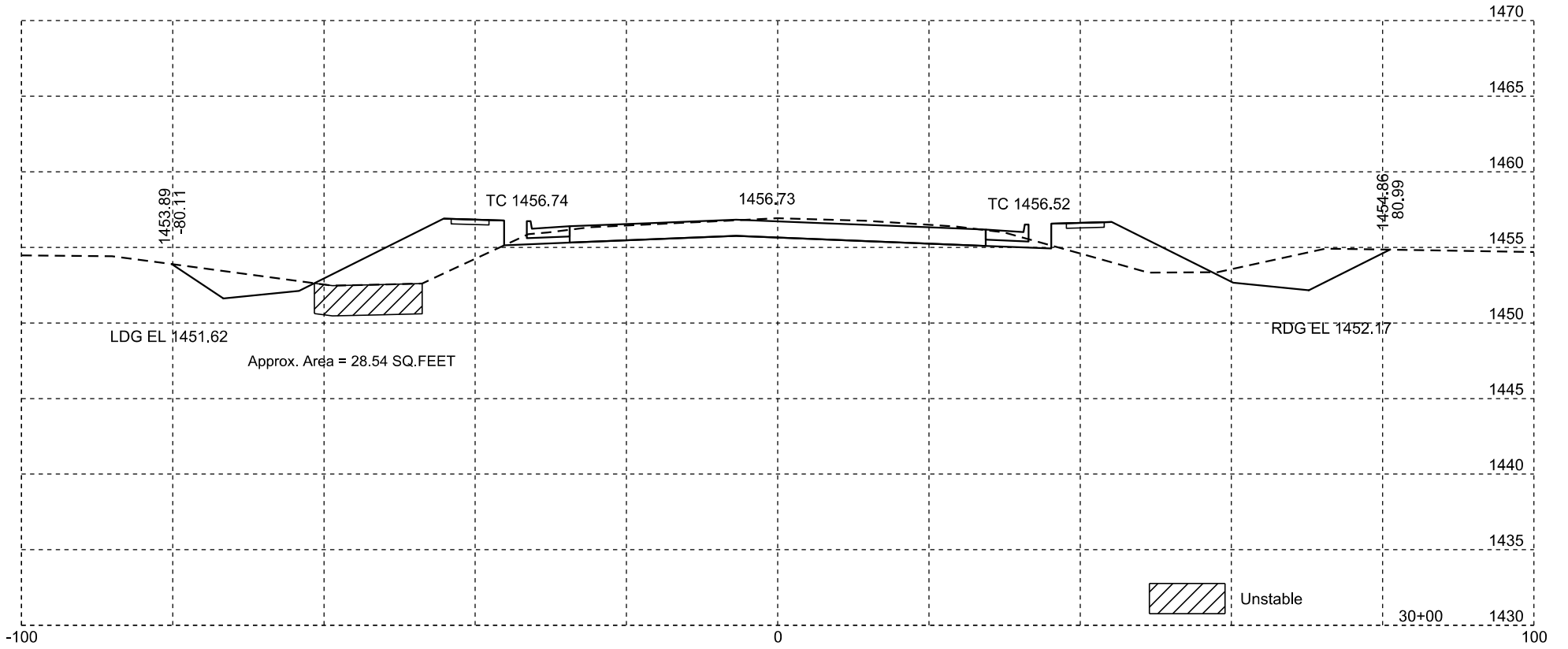
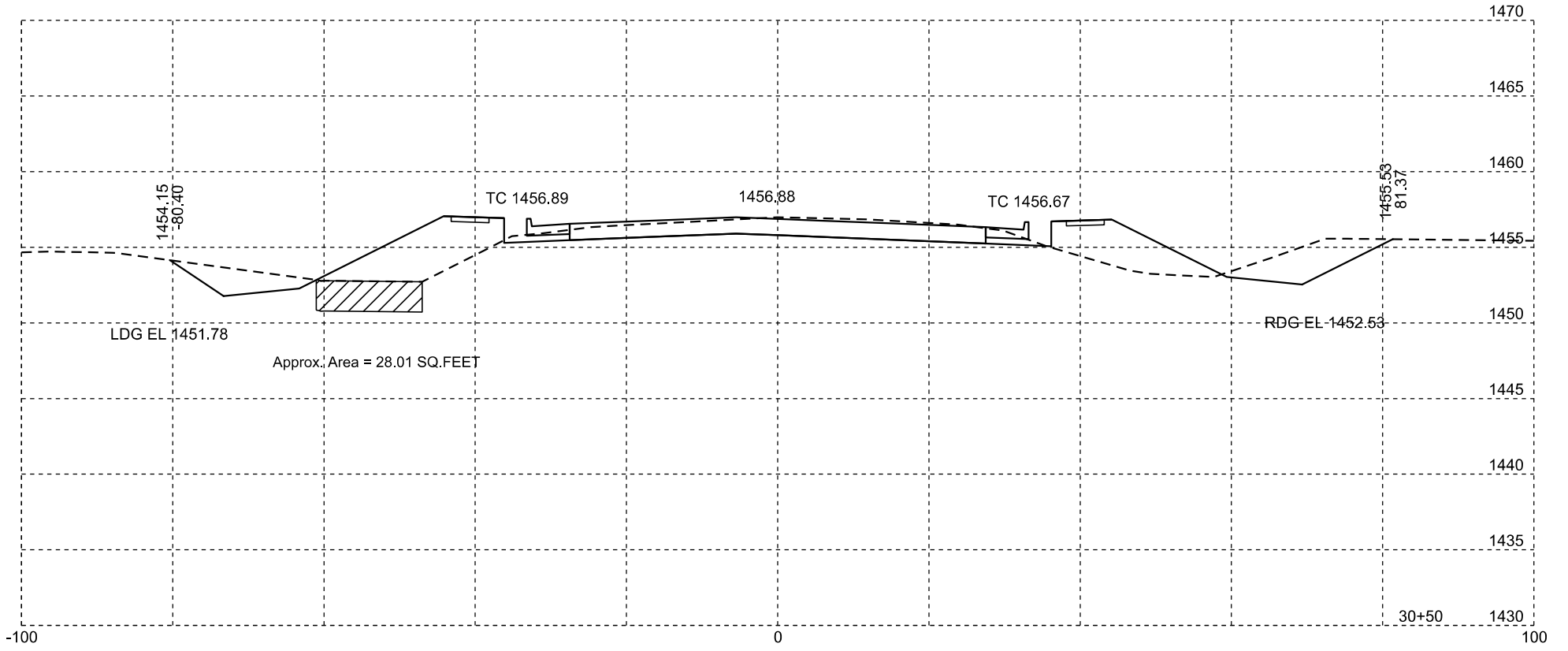
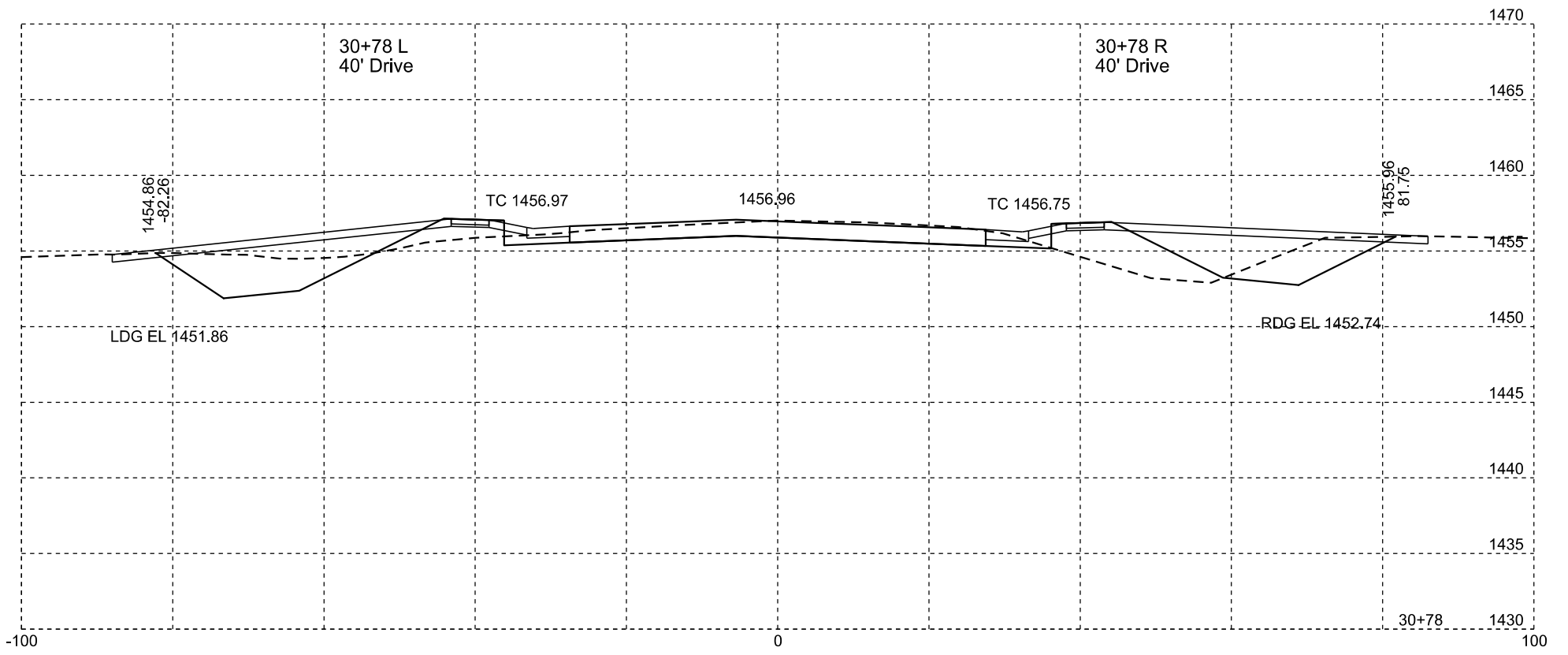
Plotting Date: 09/06/2024

| | | | |
|-----------------------------|-------------------|--------------|-----------------|
| STATE OF SOUTH DAKOTA | PROJECT | SHEET NO. | TOTAL SHEETS |
| | NH-CR 0046(69)288 | X112 | X139 |



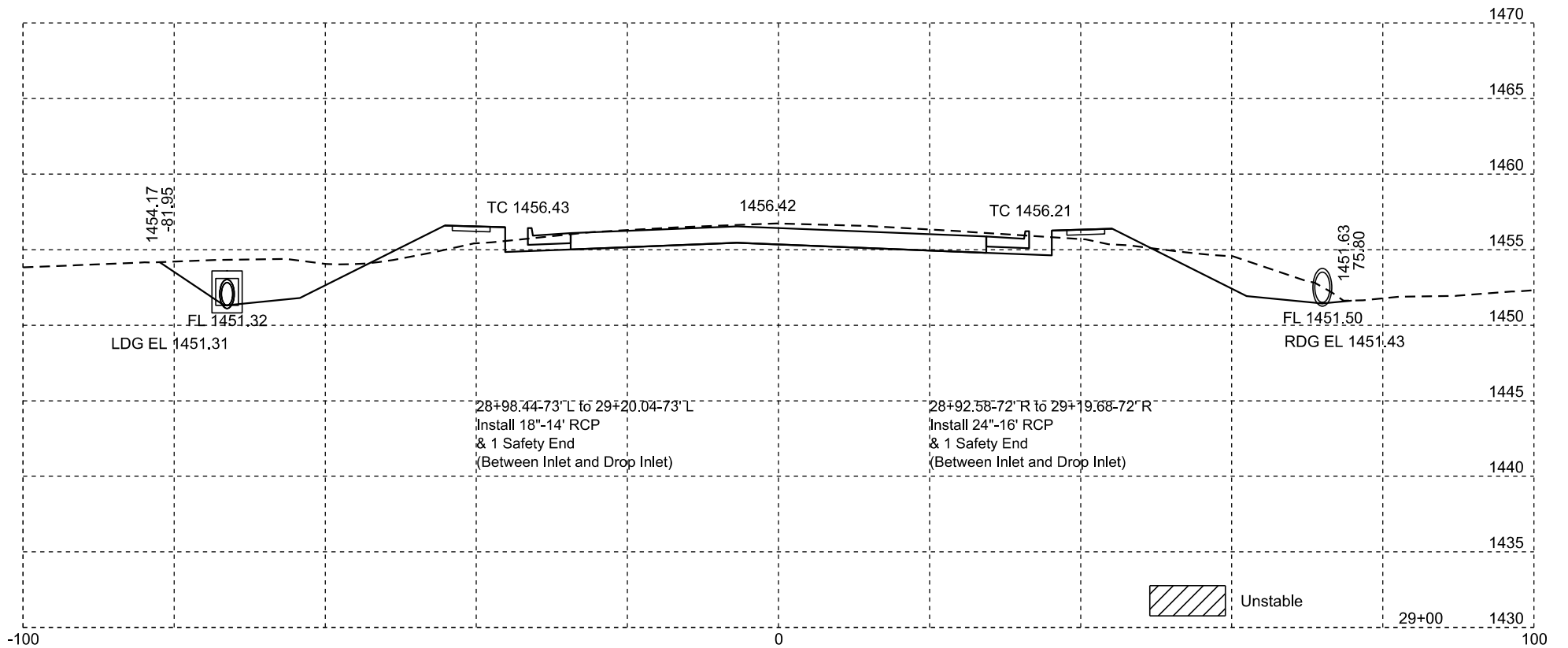
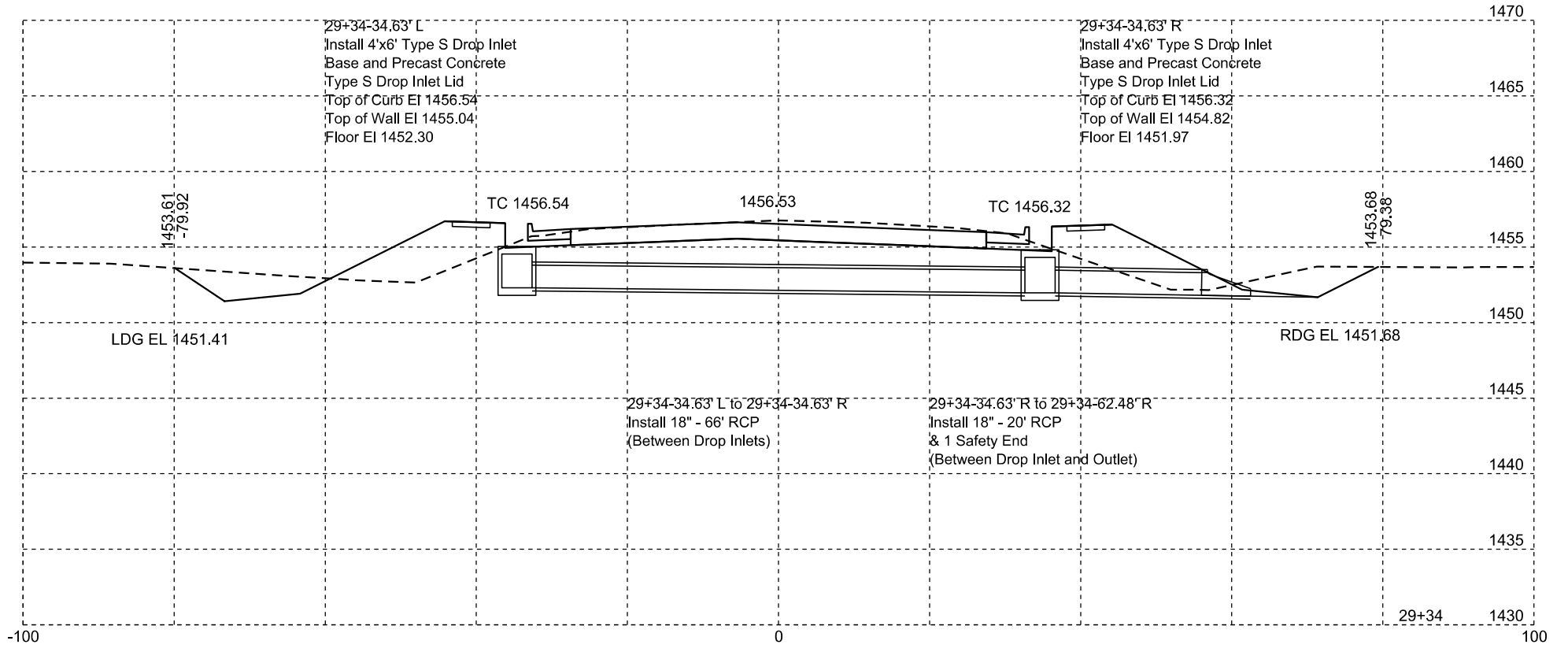
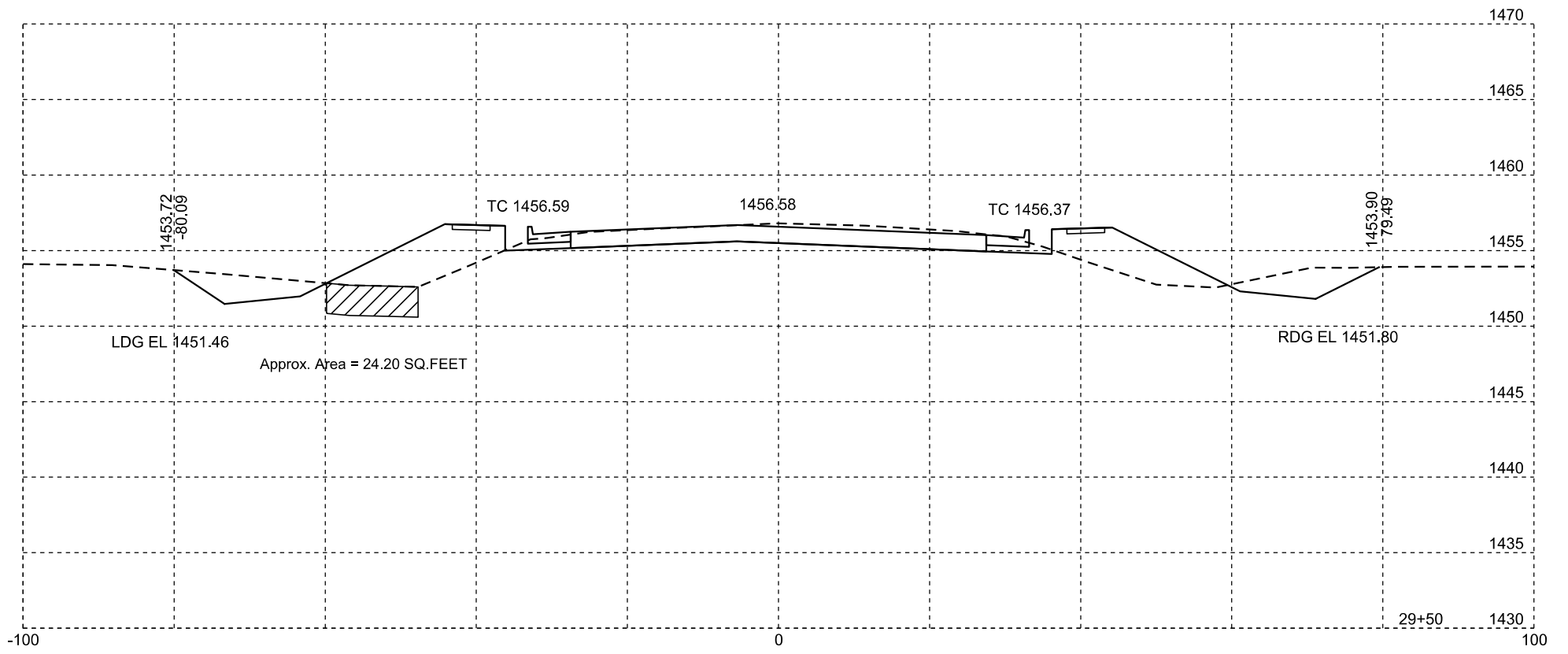
Plotting Date: 09/06/2024

| | | | |
|-----------------------------|-------------------|--------------|-----------------|
| STATE OF SOUTH DAKOTA | PROJECT | SHEET NO. | TOTAL SHEETS |
| | NH-CR 0046(69)288 | X113 | X139 |



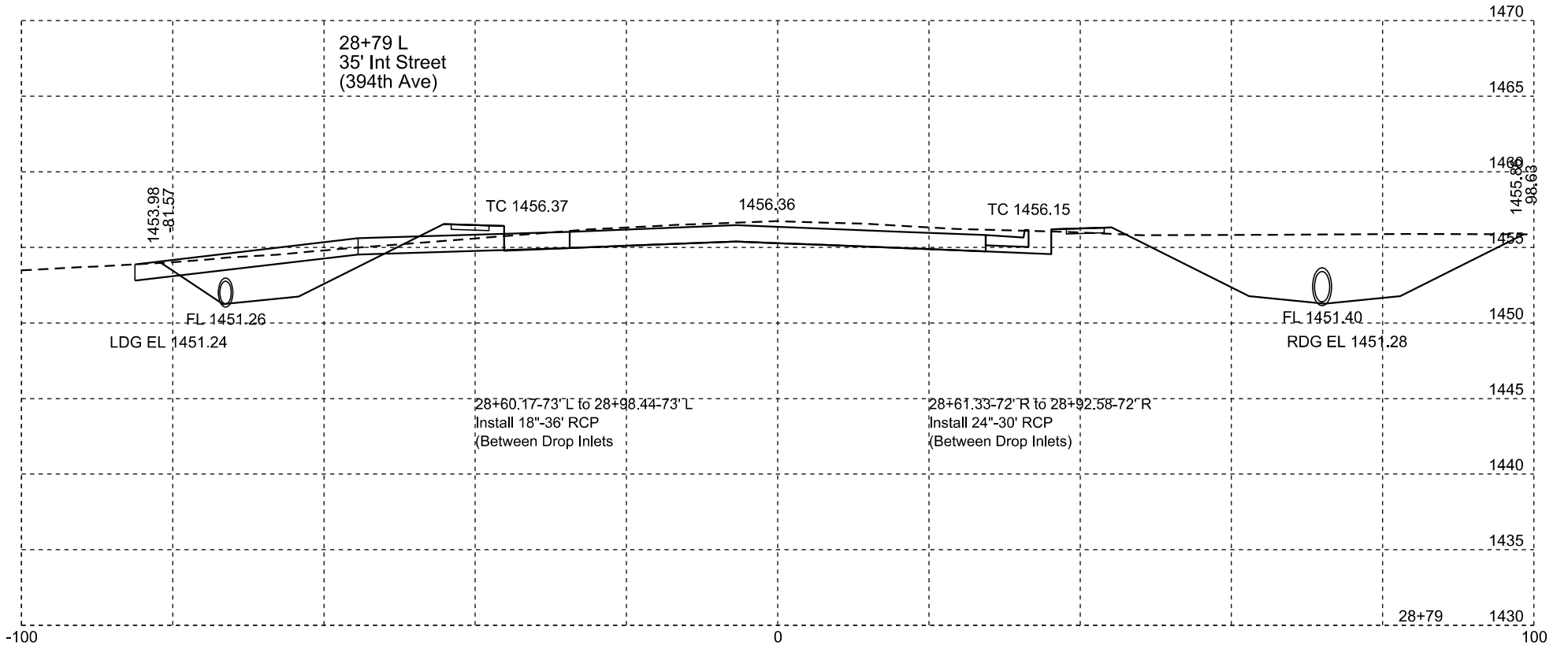
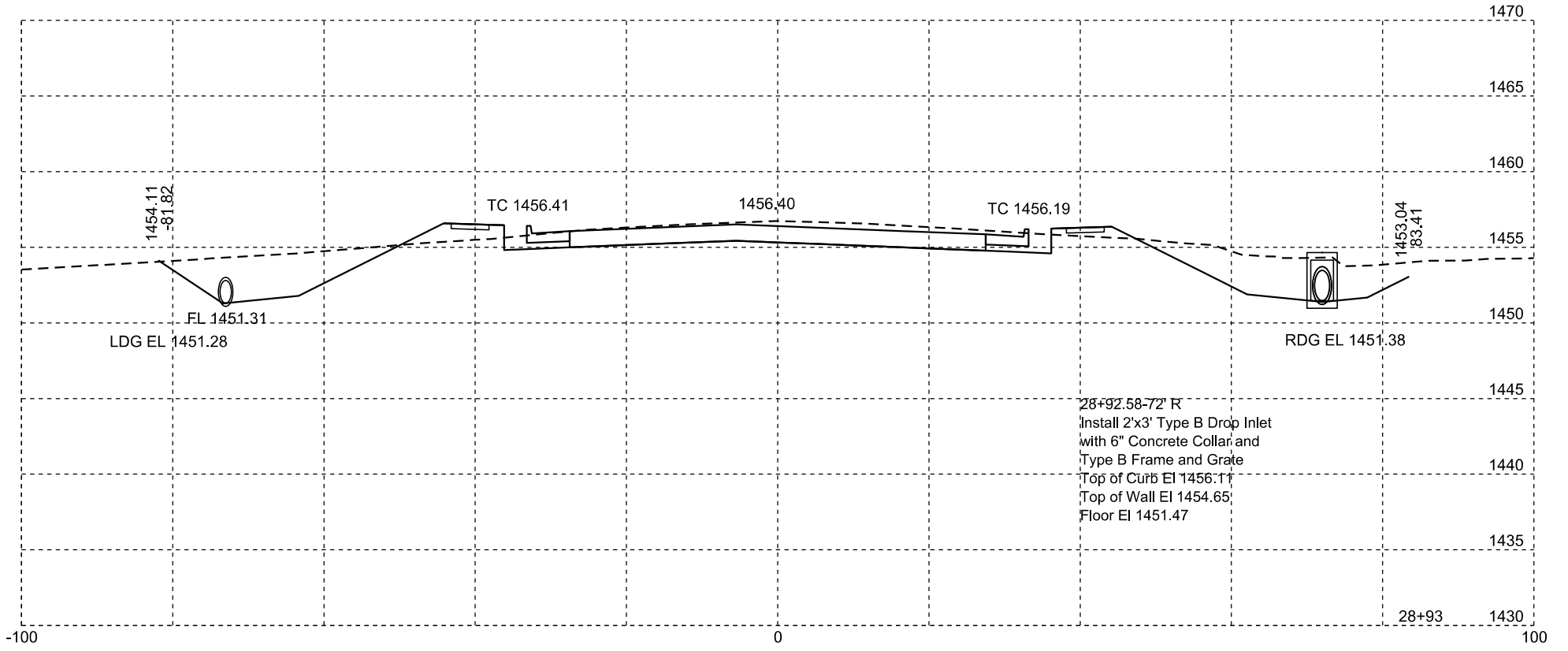
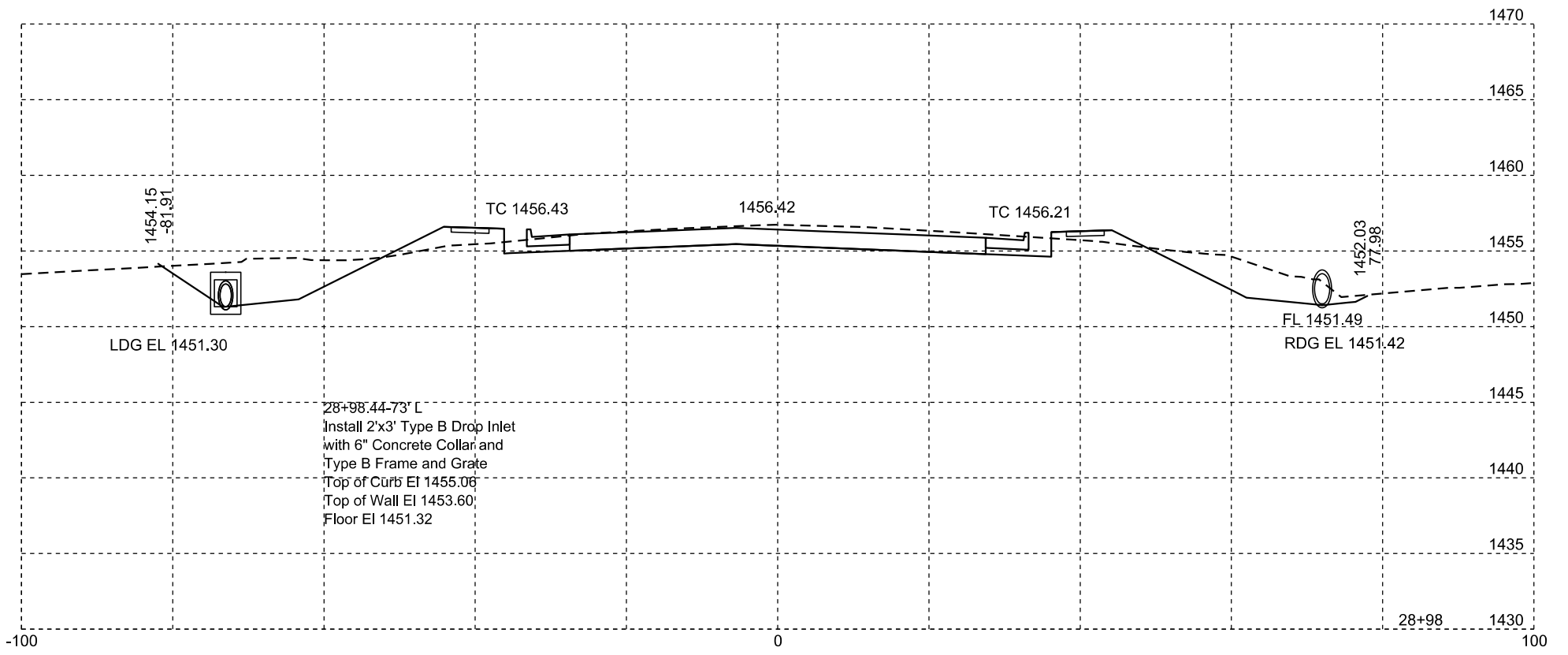
Plotting Date: 09/06/2024

| | | | |
|-----------------------------|-------------------|--------------|-----------------|
| STATE OF SOUTH DAKOTA | PROJECT | SHEET NO. | TOTAL SHEETS |
| | NH-CR 0046(69)288 | X114 | X139 |



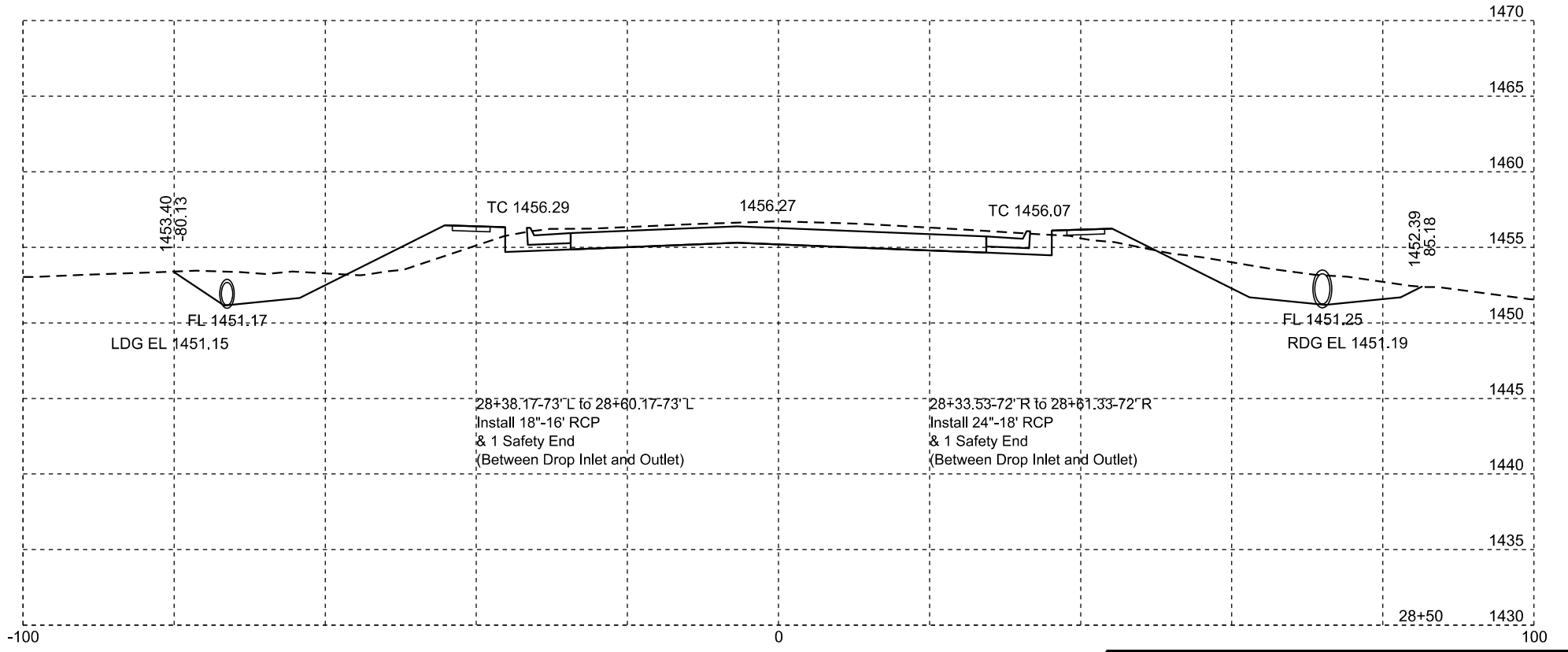
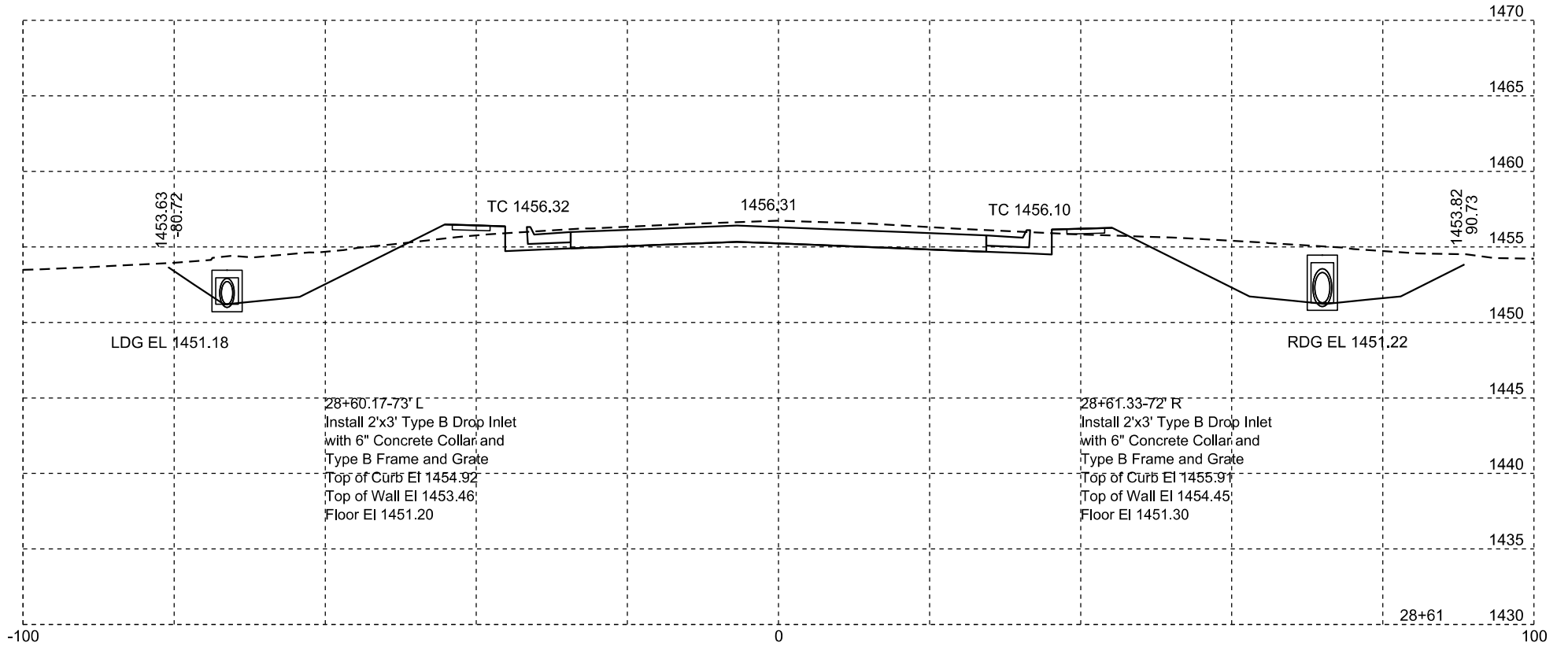
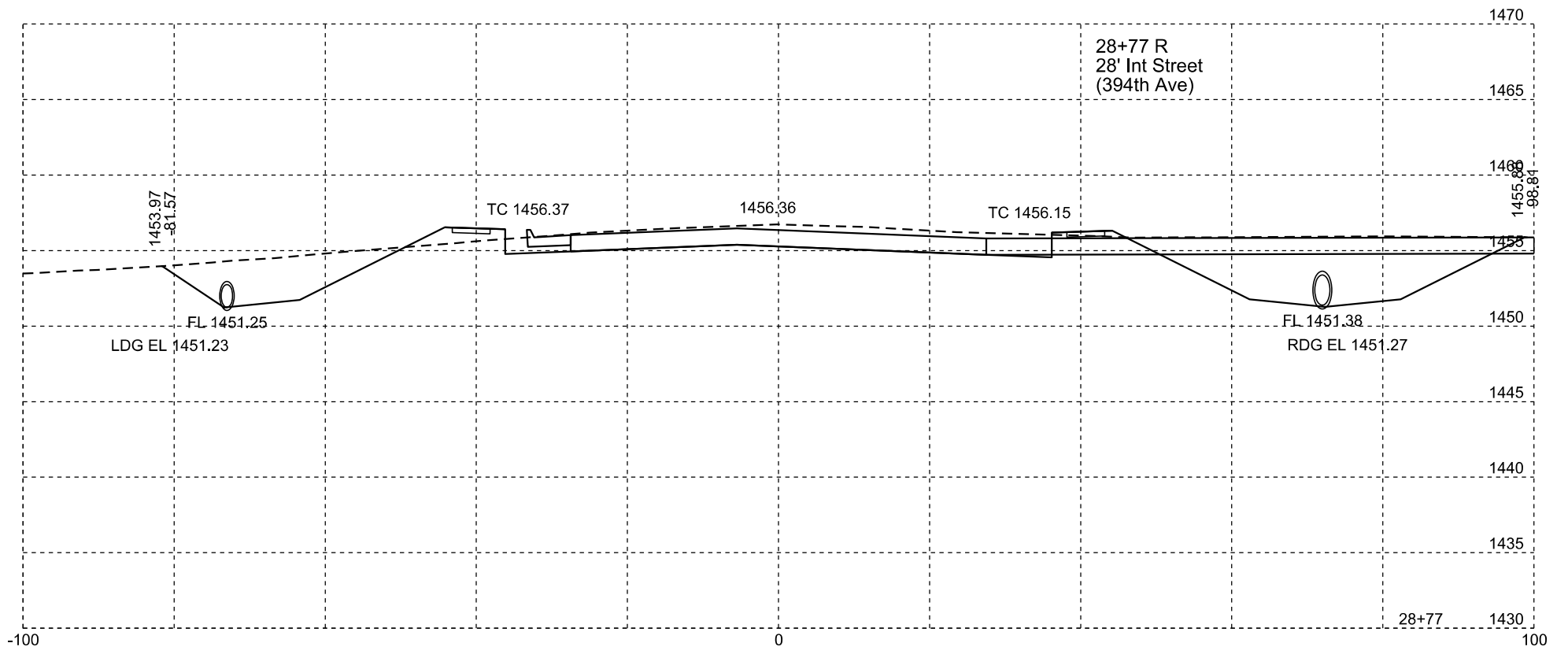
Plotting Date: 09/06/2024

| | | | |
|-----------------------------|-------------------|--------------|-----------------|
| STATE OF SOUTH DAKOTA | PROJECT | SHEET NO. | TOTAL SHEETS |
| | NH-CR 0046(69)288 | X115 | X139 |



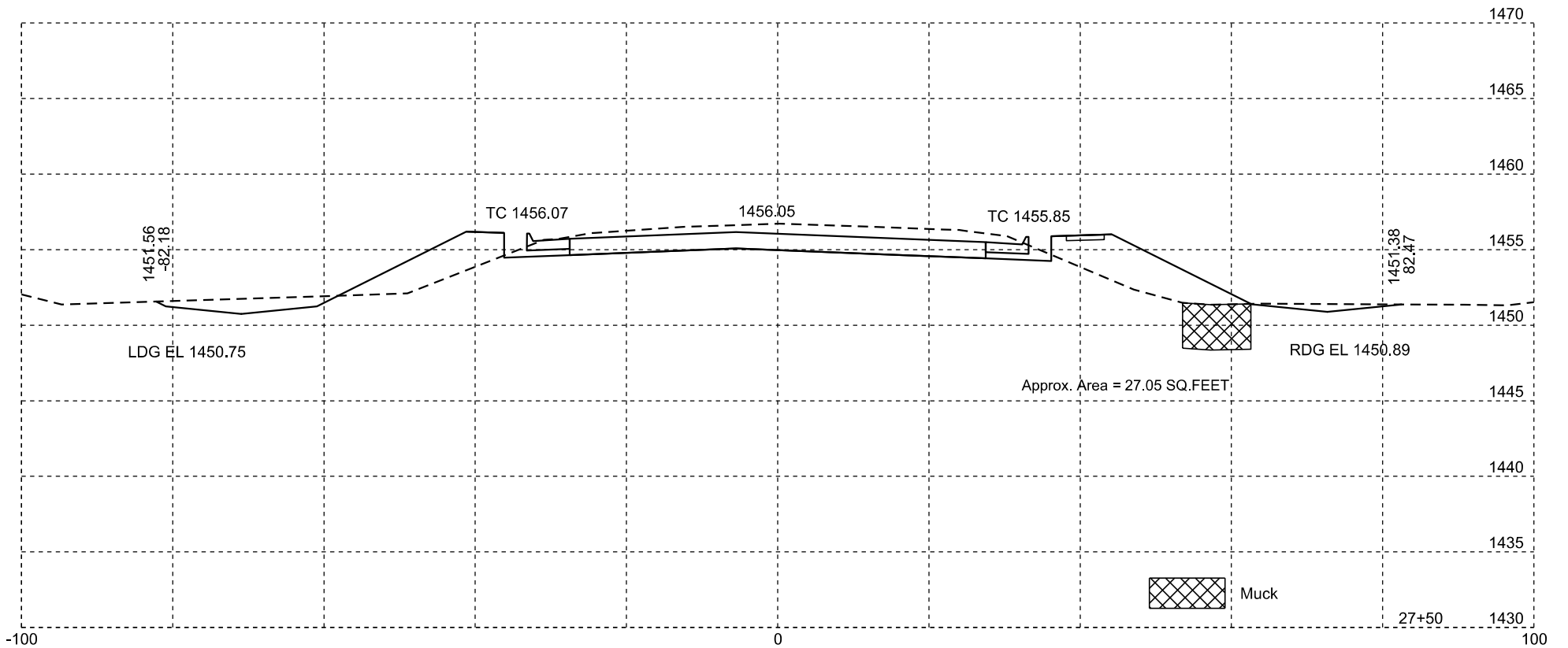
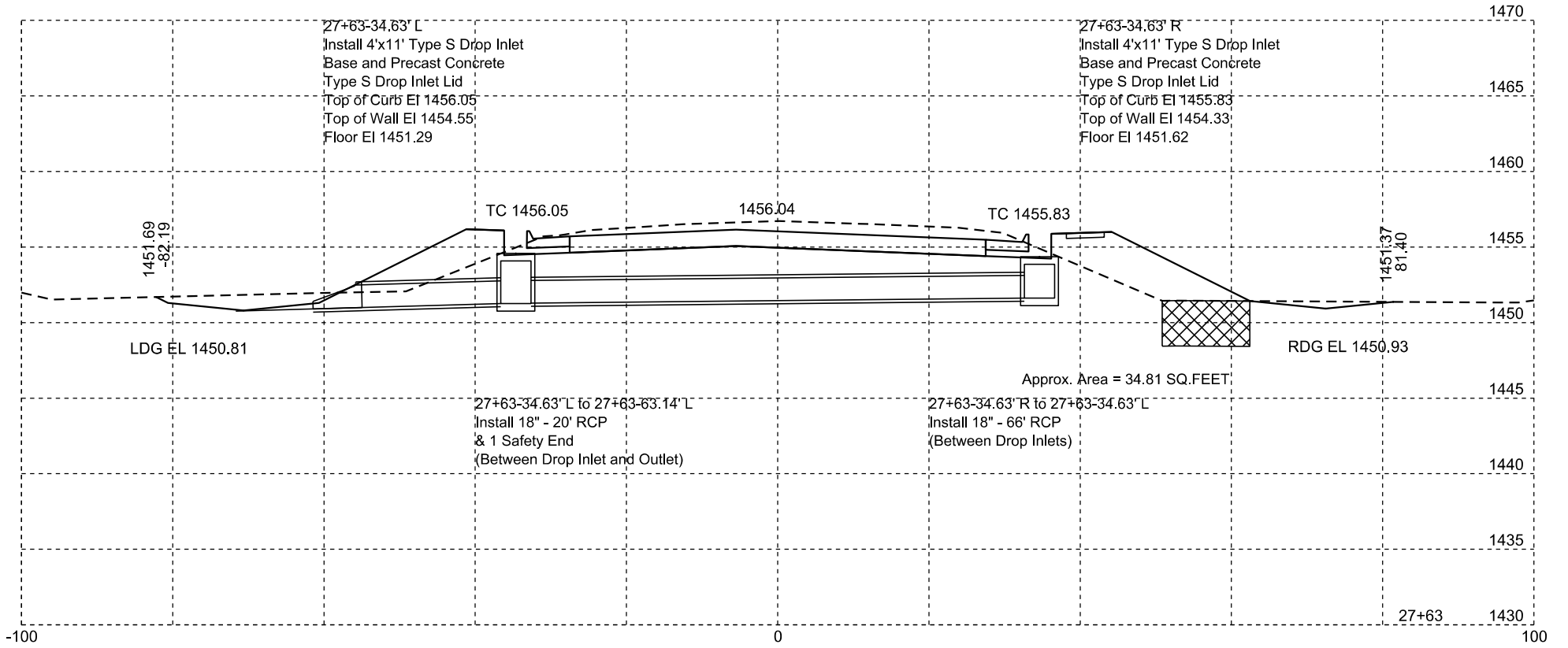
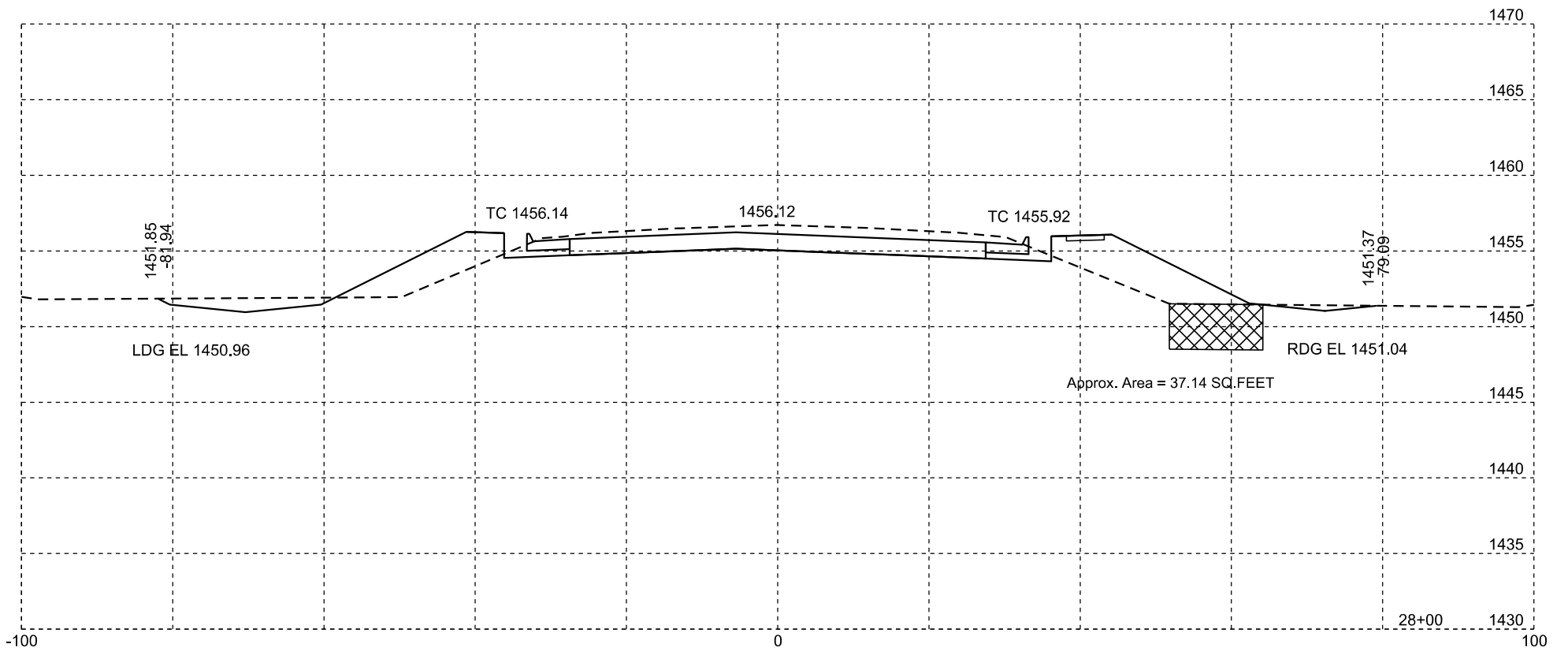
Plotting Date: 09/06/2024

| | | | |
|-----------------------------|-------------------|--------------|-----------------|
| STATE OF SOUTH DAKOTA | PROJECT | SHEET NO. | TOTAL SHEETS |
| | NH-CR 0046(69)288 | X116 | X139 |



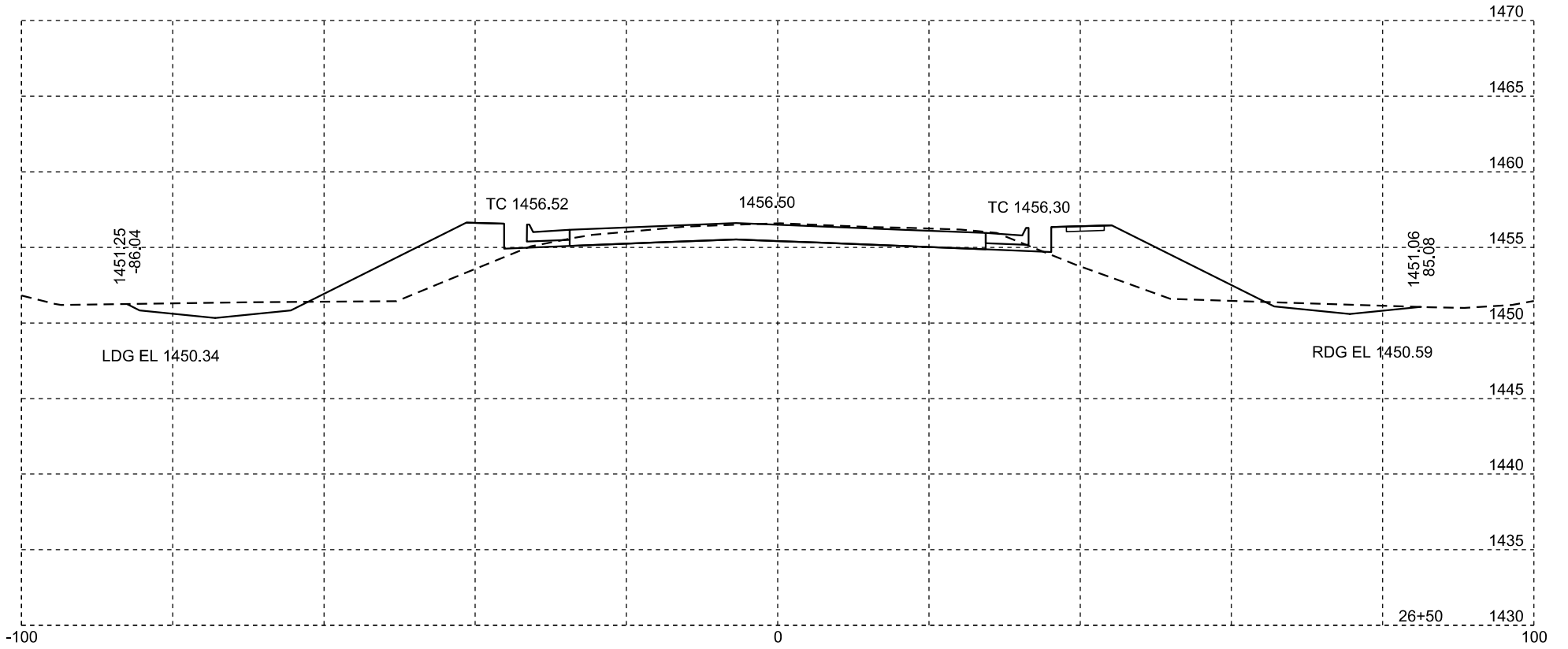
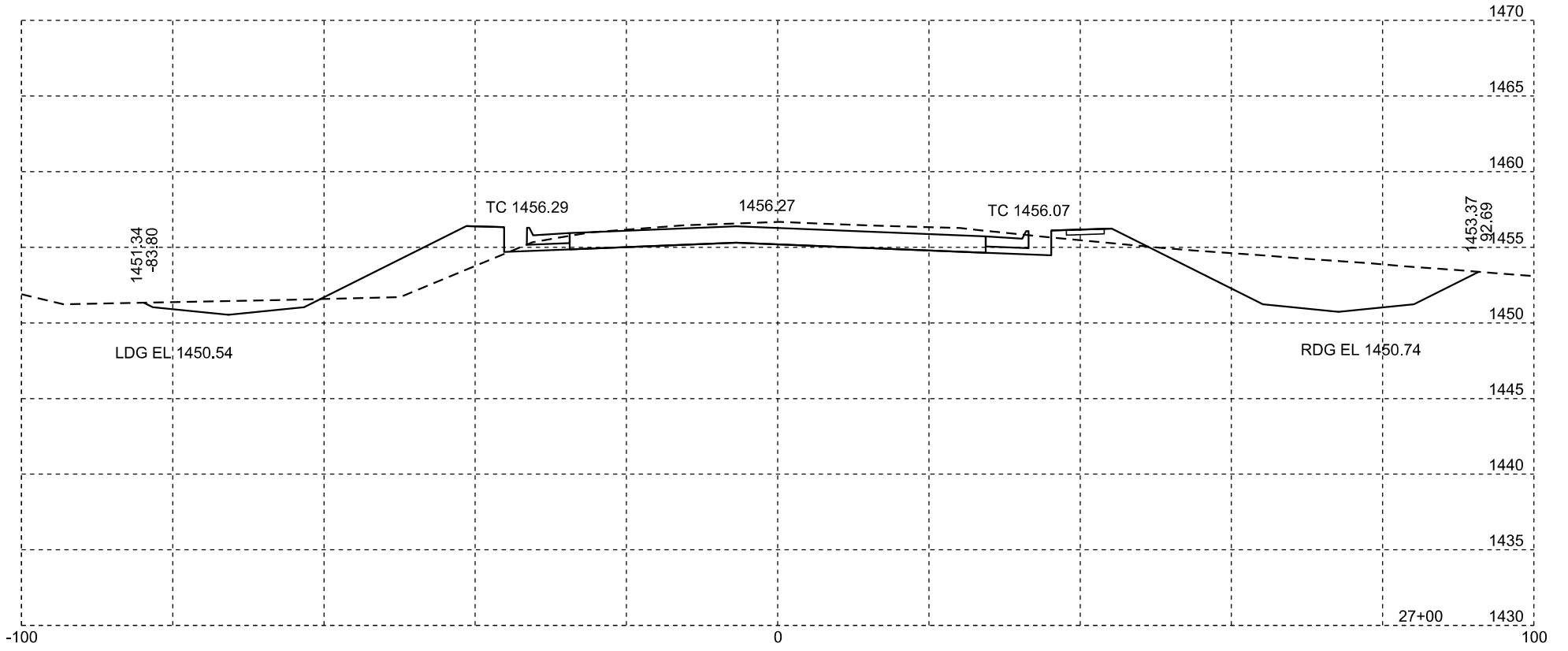
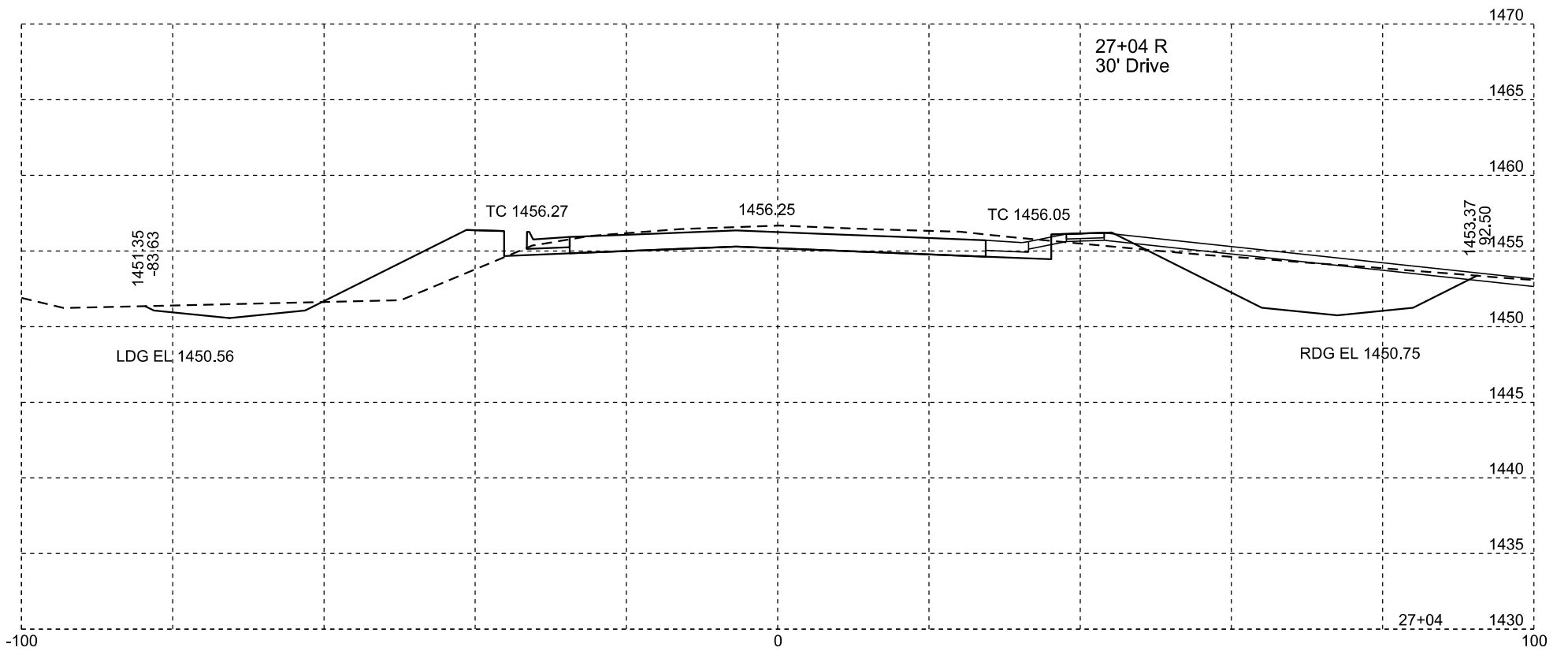
Plotting Date: 09/06/2024

| | | | |
|-----------------------|-------------------|-----------|--------------|
| STATE OF SOUTH DAKOTA | PROJECT | SHEET NO. | TOTAL SHEETS |
| | NH-CR 0046(69)288 | X117 | X139 |



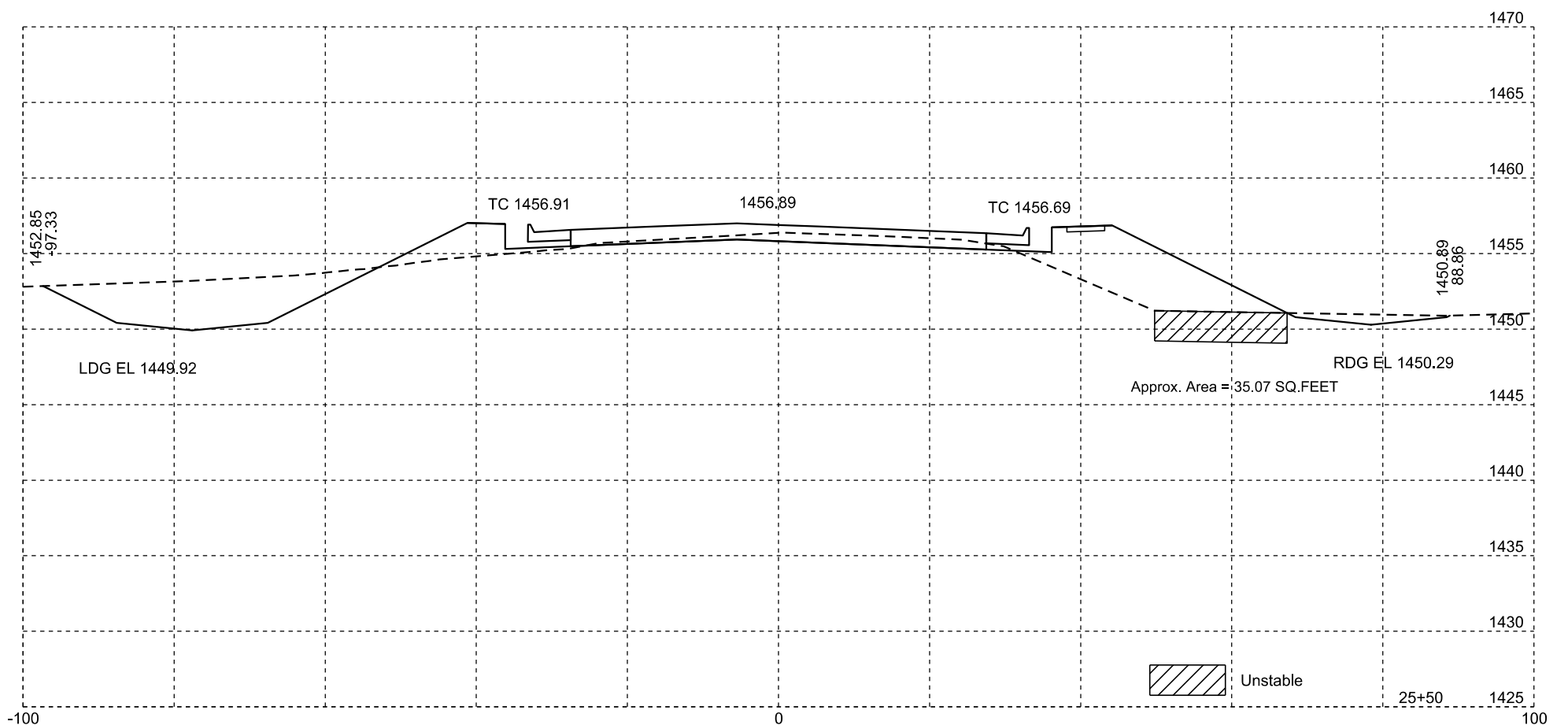
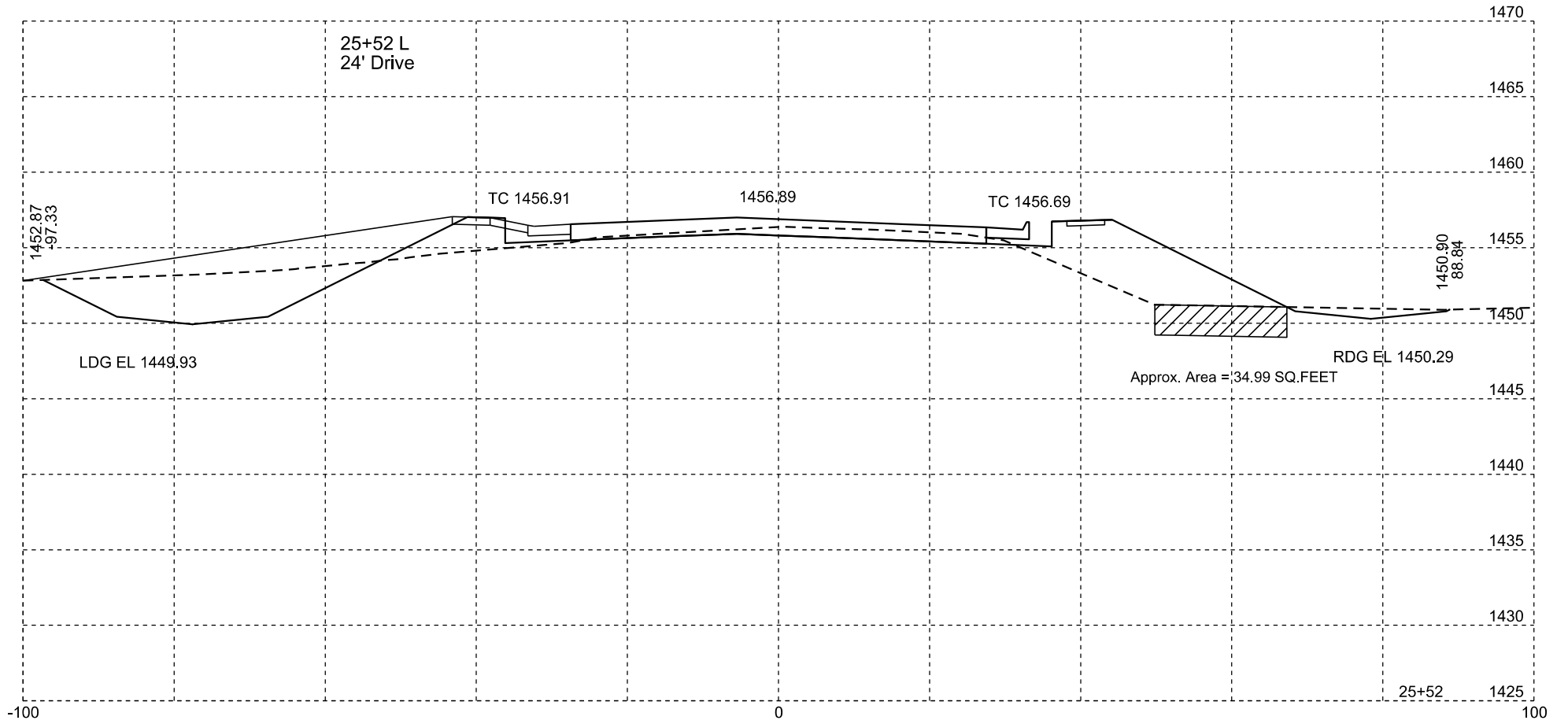
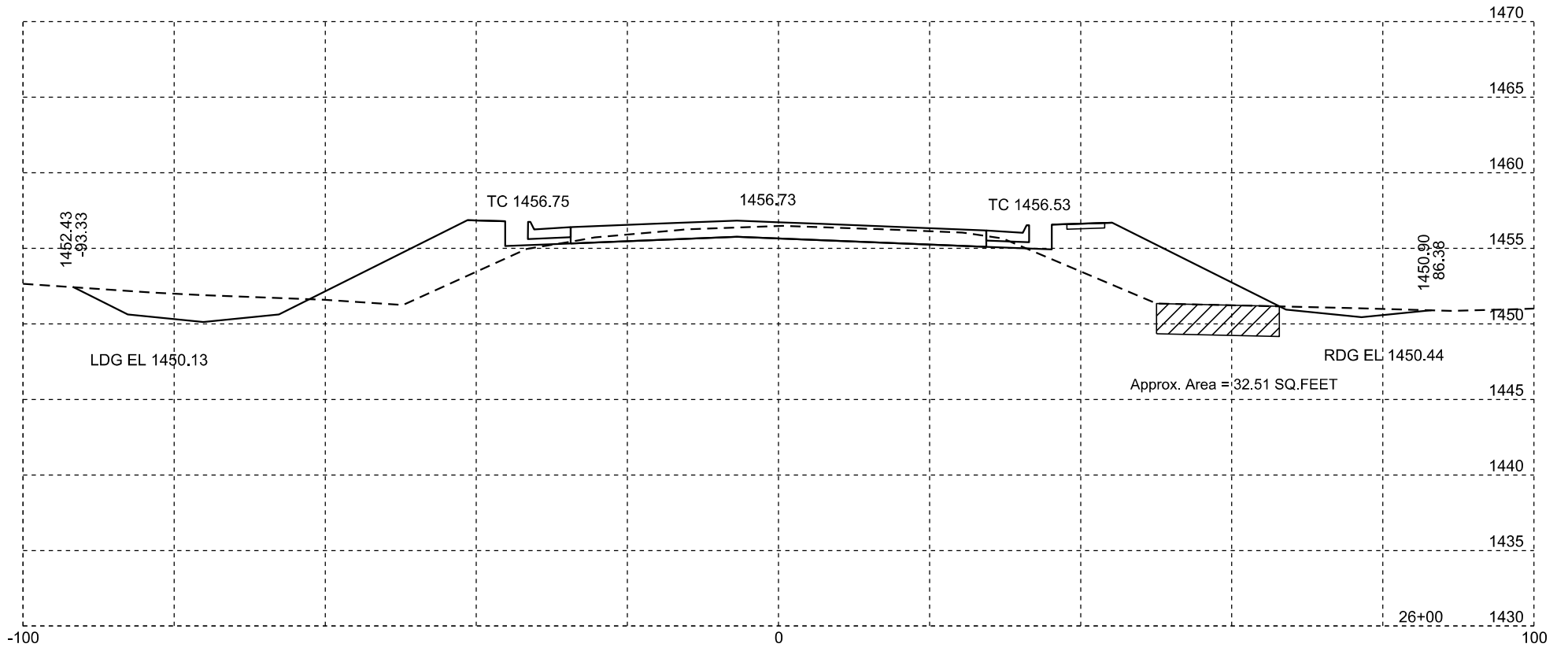
Plotting Date: 09/06/2024

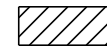
| | | | |
|-----------------------------|-------------------|--------------|-----------------|
| STATE OF SOUTH DAKOTA | PROJECT | SHEET NO. | TOTAL SHEETS |
| | NH-CR 0046(69)288 | X118 | X139 |



Plotting Date: 09/06/2024

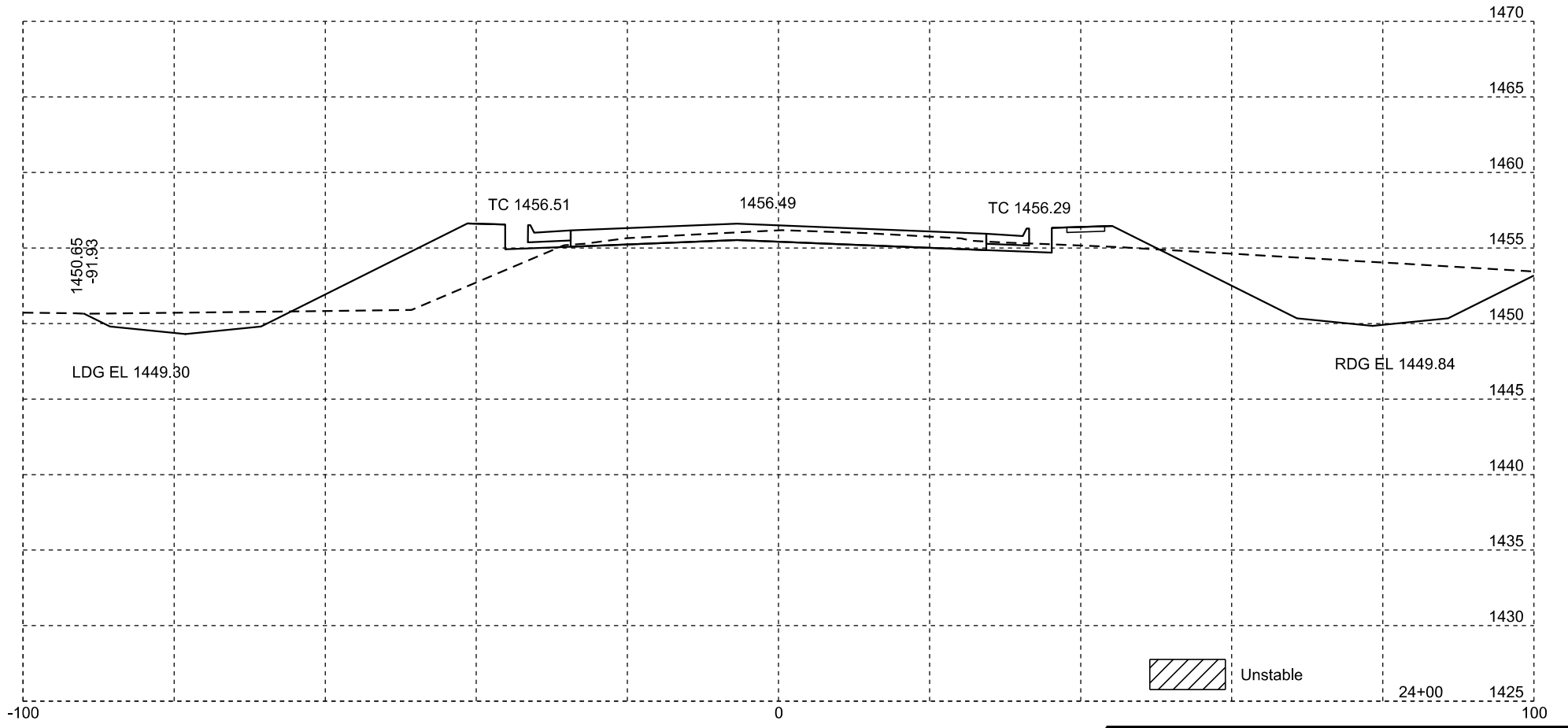
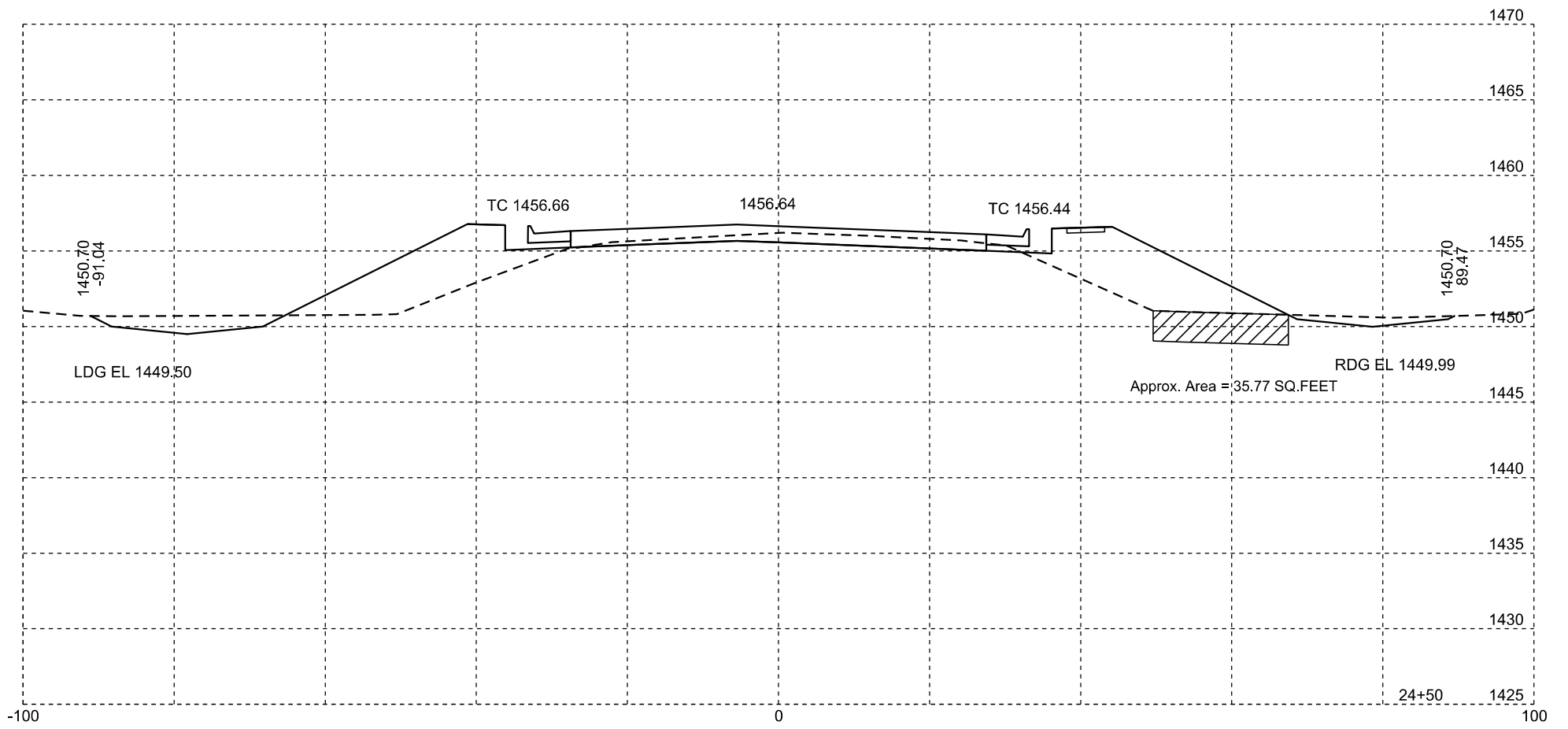
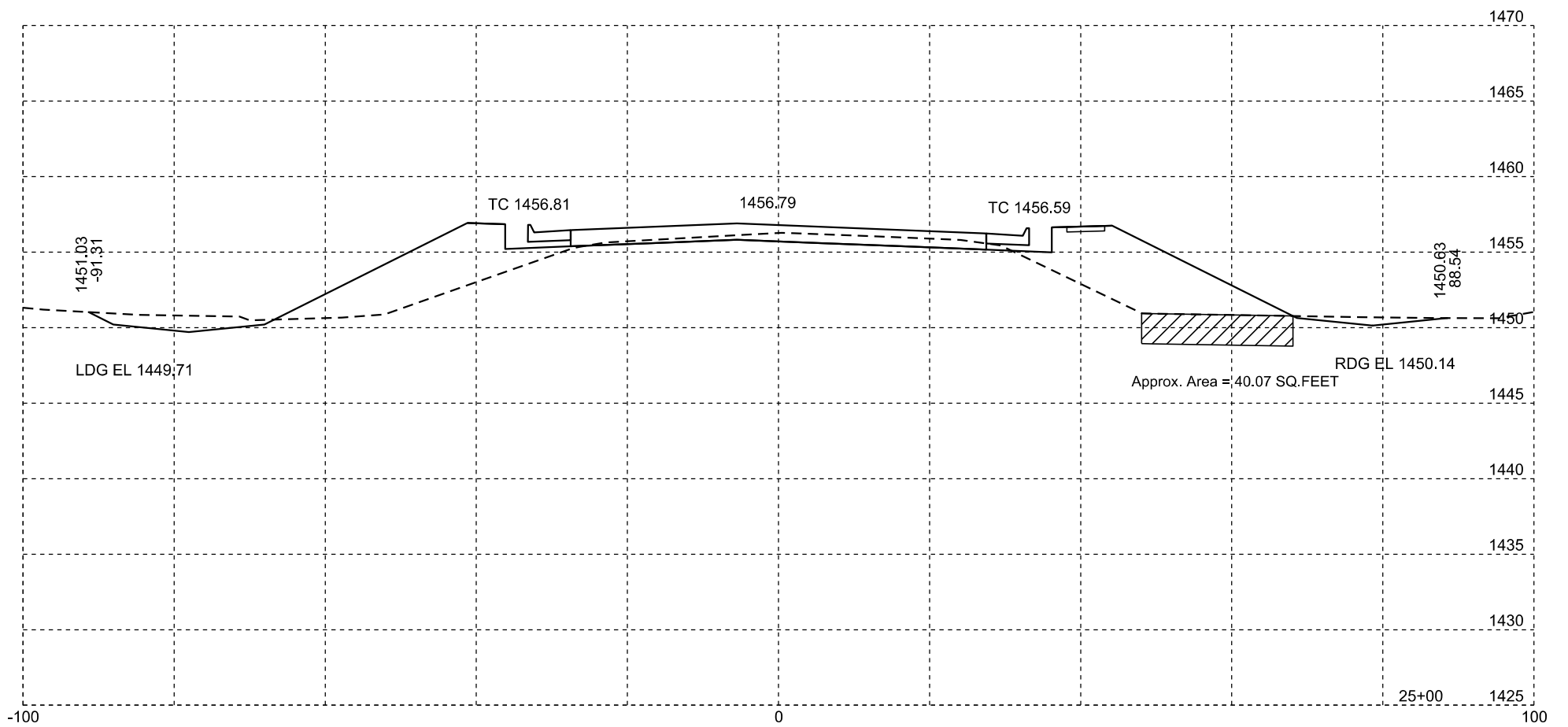
| | | | |
|-----------------------------|-------------------|--------------|-----------------|
| STATE OF SOUTH DAKOTA | PROJECT | SHEET NO. | TOTAL SHEETS |
| | NH-CR 0046(69)288 | X119 | X139 |



 Unstable

Plotting Date: 09/06/2024

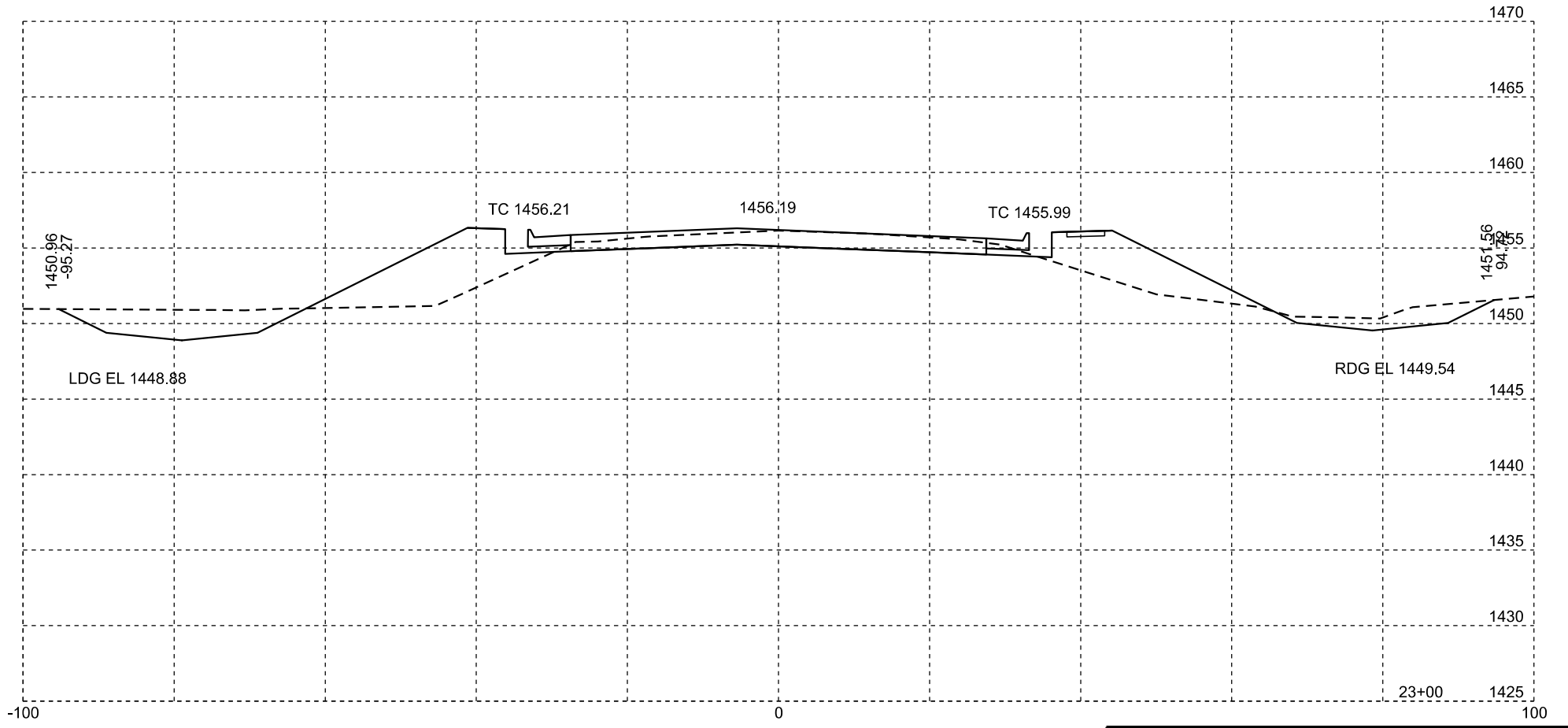
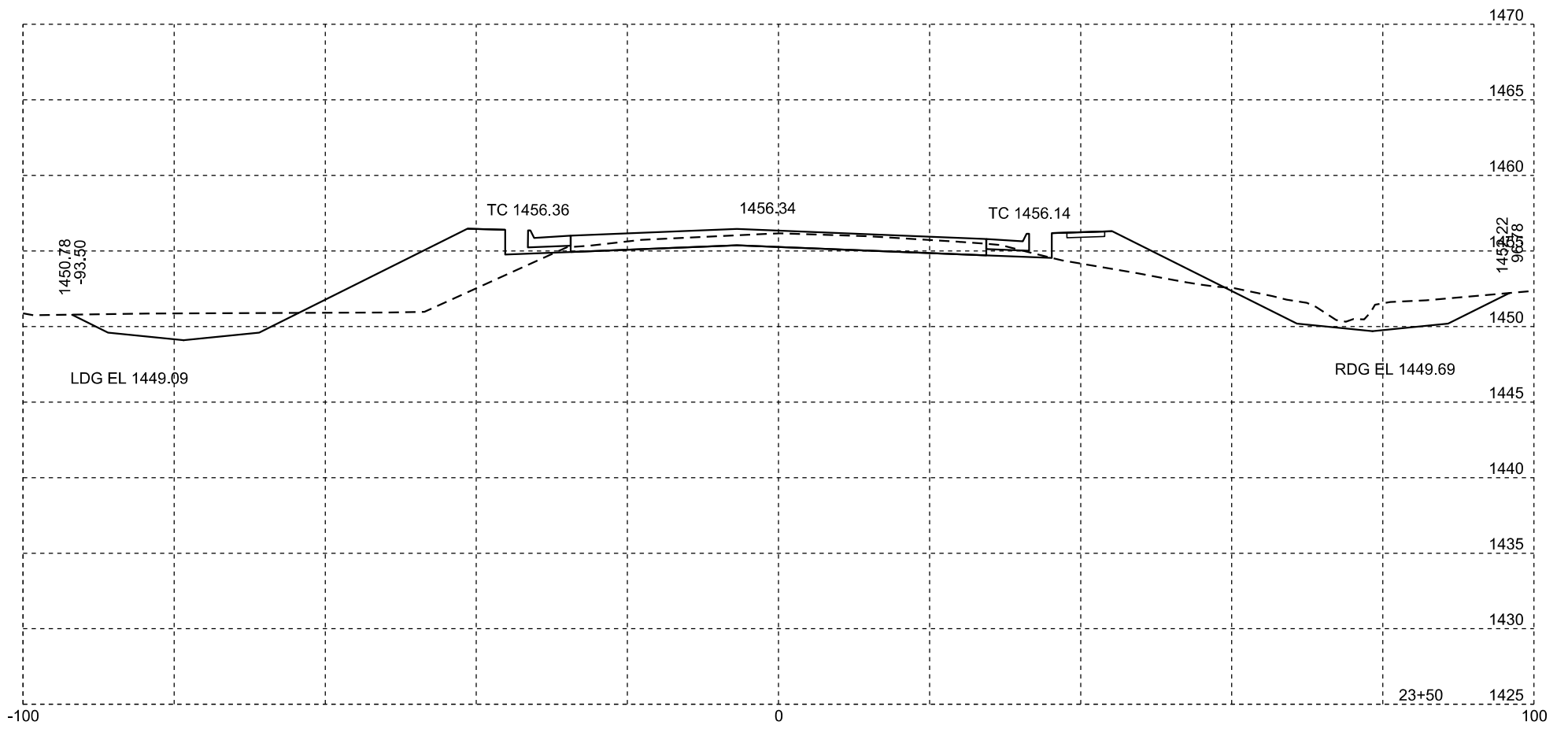
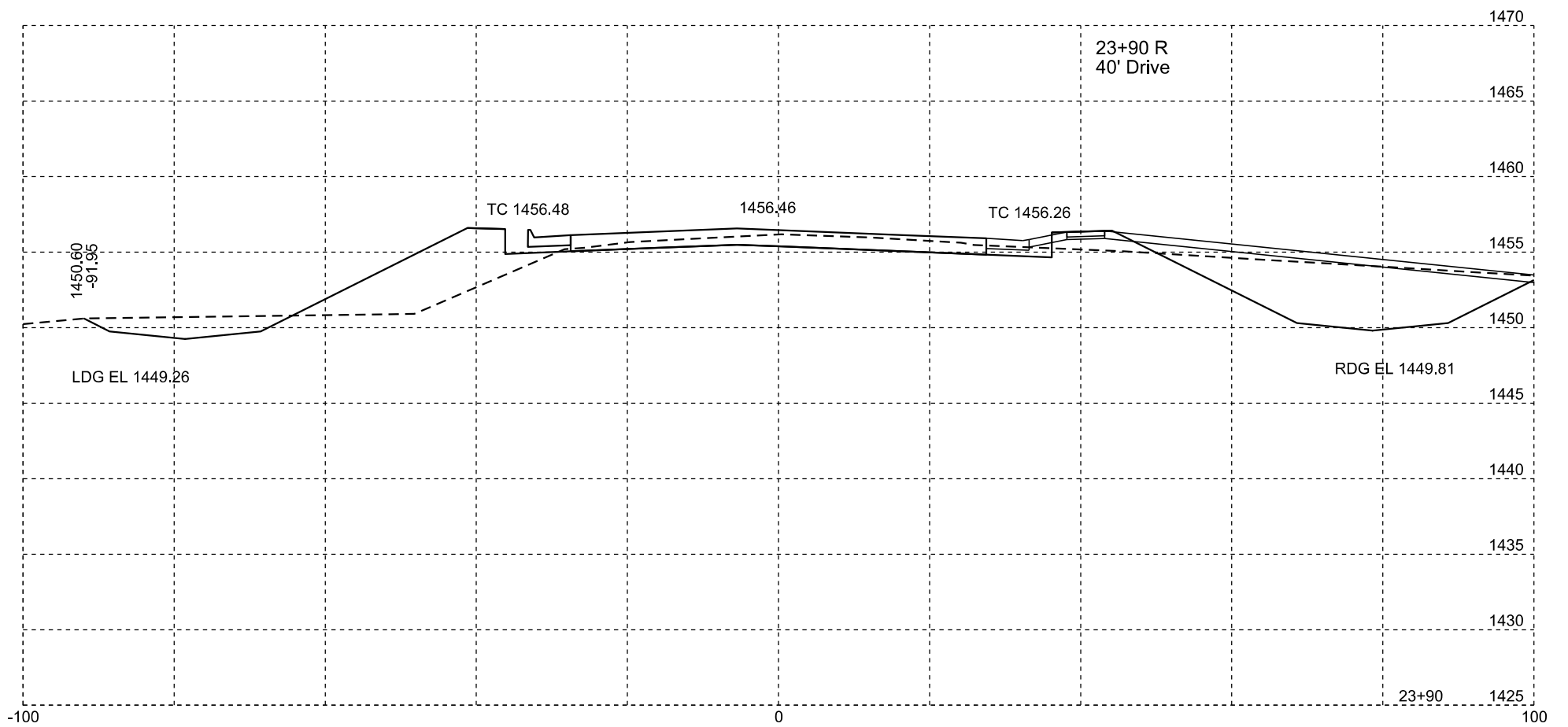
| | | | |
|-----------------------------|-------------------|--------------|-----------------|
| STATE OF SOUTH DAKOTA | PROJECT | SHEET NO. | TOTAL SHEETS |
| | NH-CR 0046(69)288 | X120 | X139 |



 Unstable

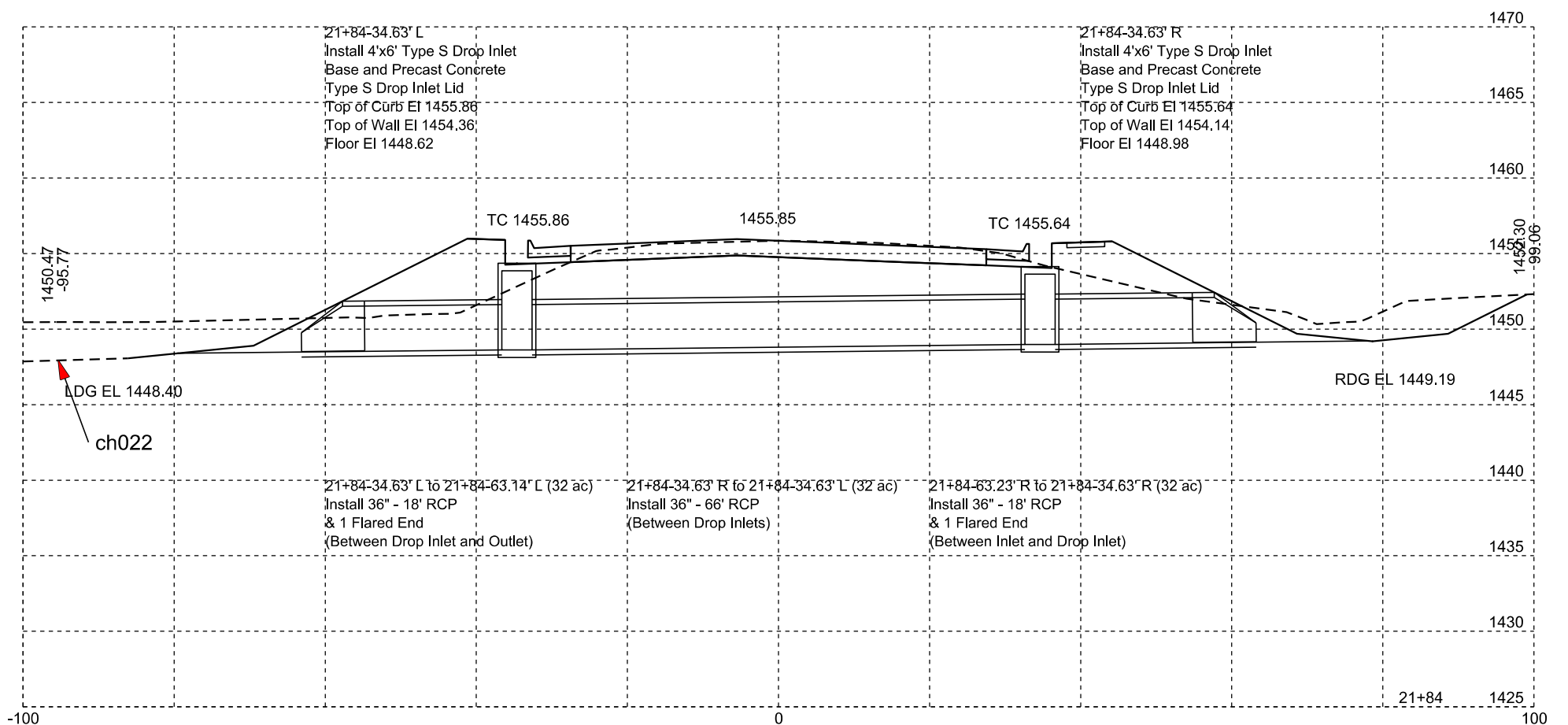
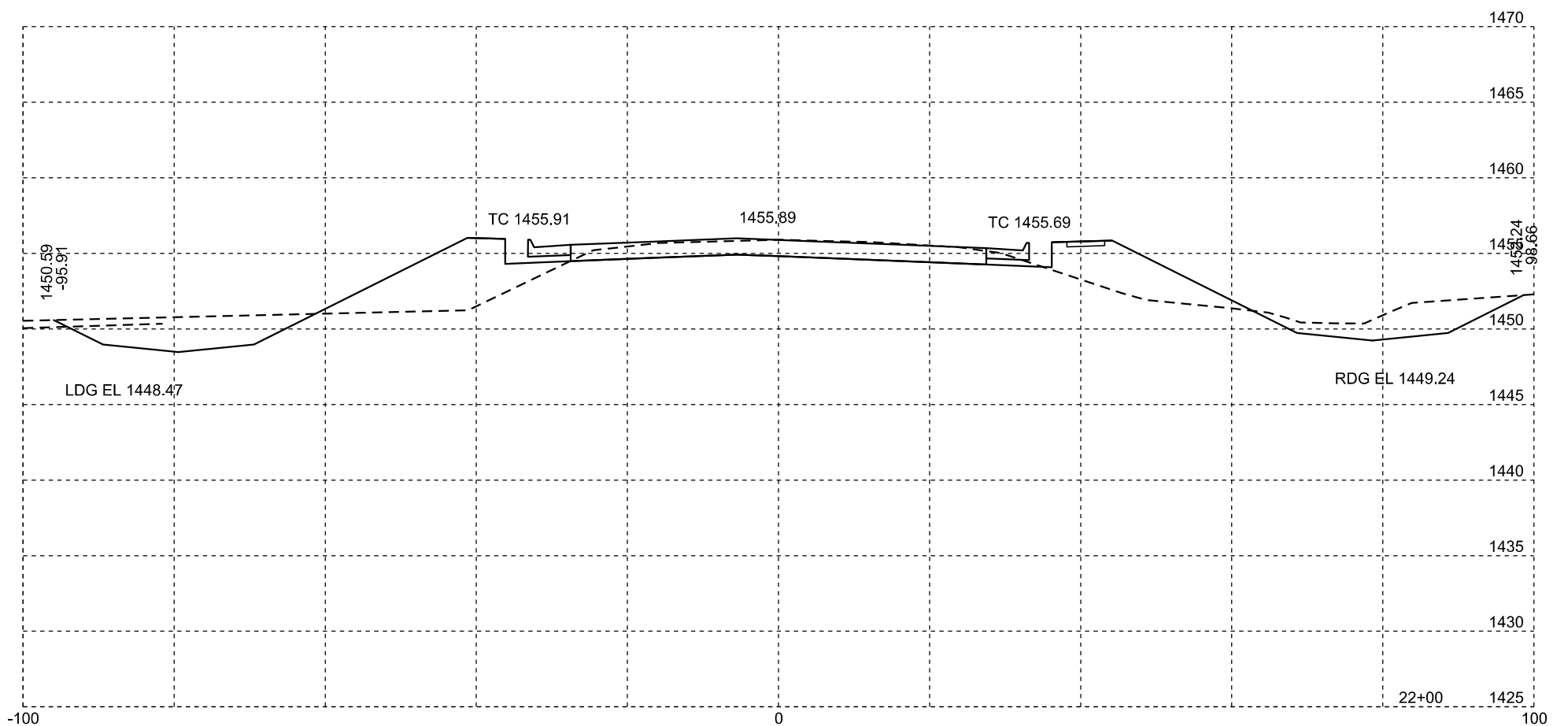
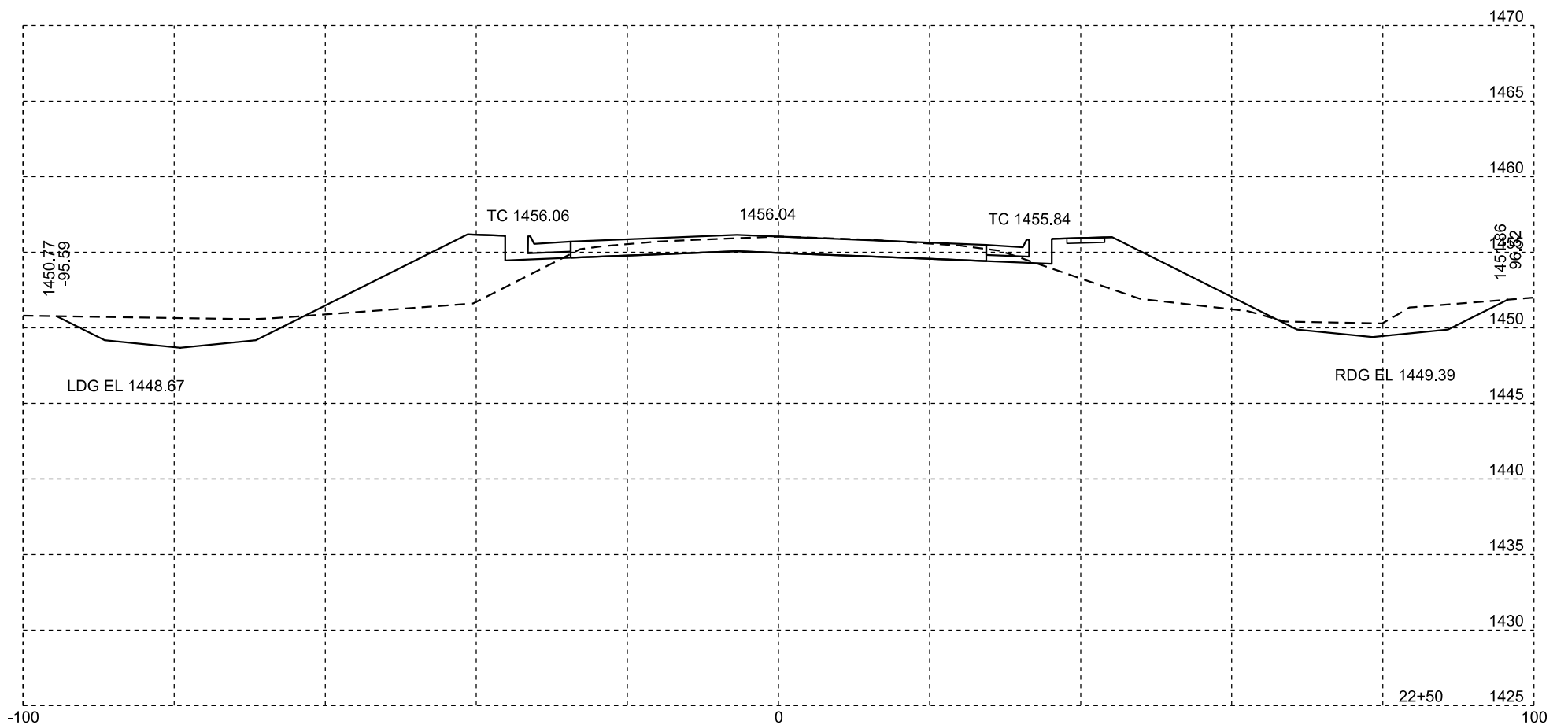
Plotting Date: 09/06/2024

| | | | |
|-----------------------------|-------------------|--------------|-----------------|
| STATE OF SOUTH DAKOTA | PROJECT | SHEET NO. | TOTAL SHEETS |
| | NH-CR 0046(69)288 | X121 | X139 |



Plotting Date: 09/06/2024

| | | | |
|-----------------------------|-------------------|--------------|-----------------|
| STATE OF SOUTH DAKOTA | PROJECT | SHEET NO. | TOTAL SHEETS |
| | NH-CR 0046(69)288 | X122 | X139 |



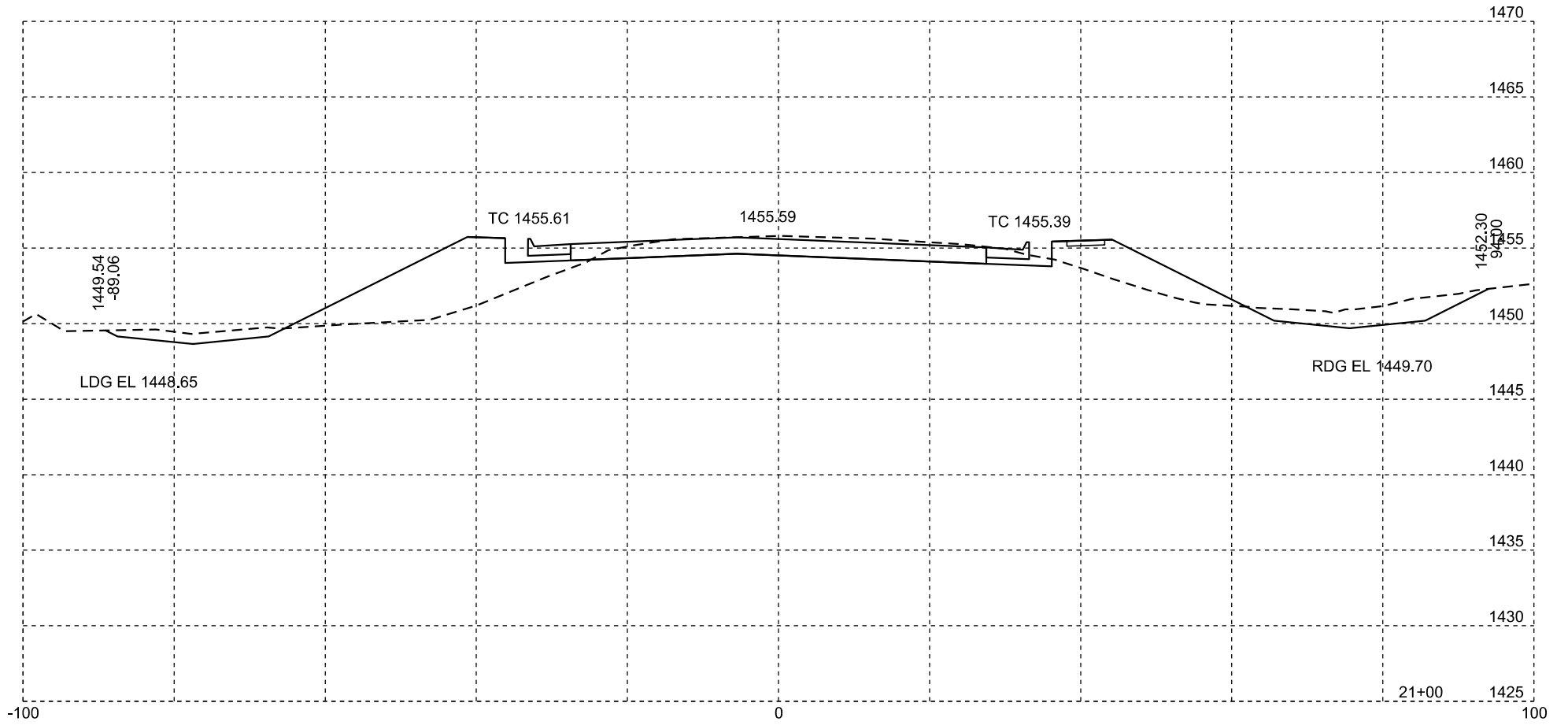
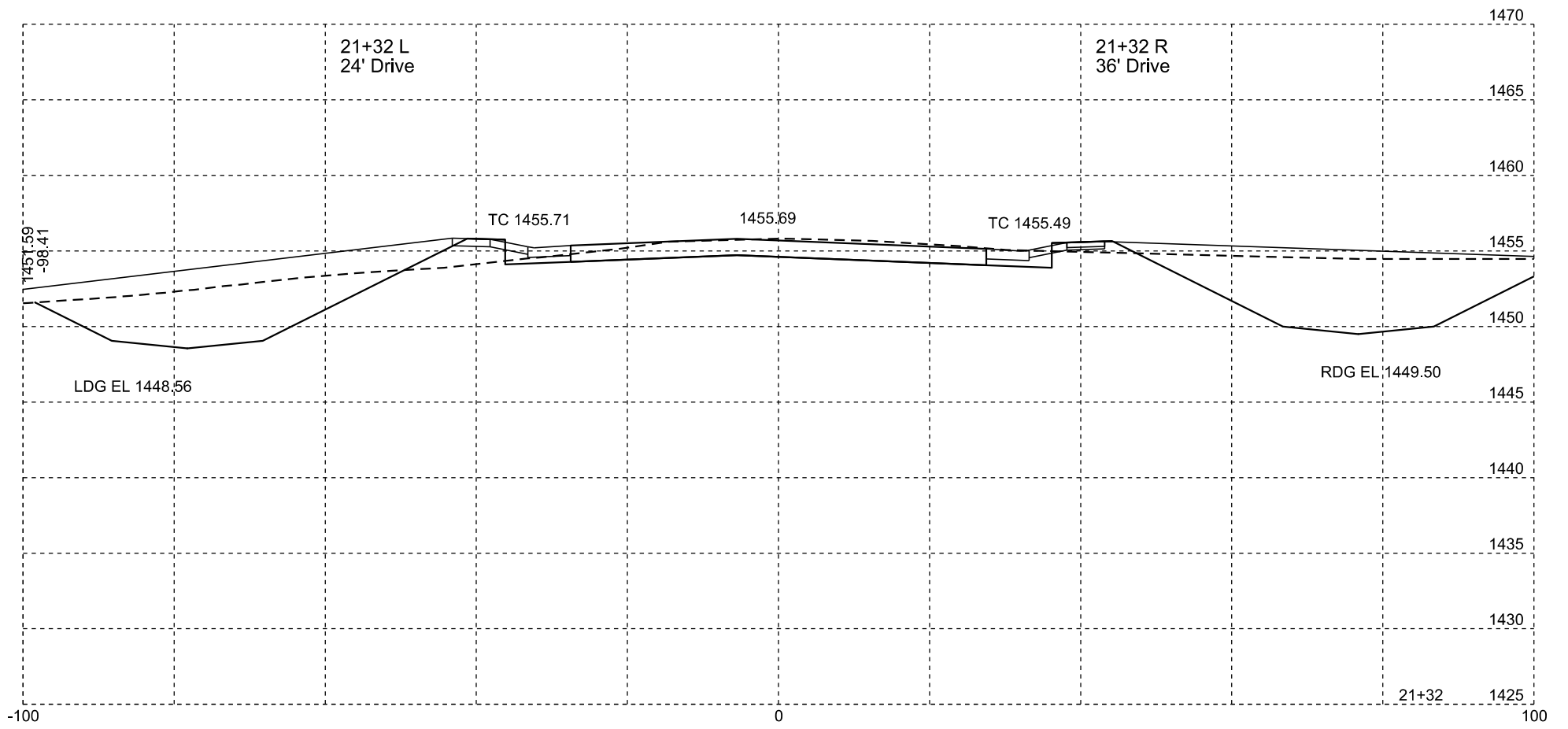
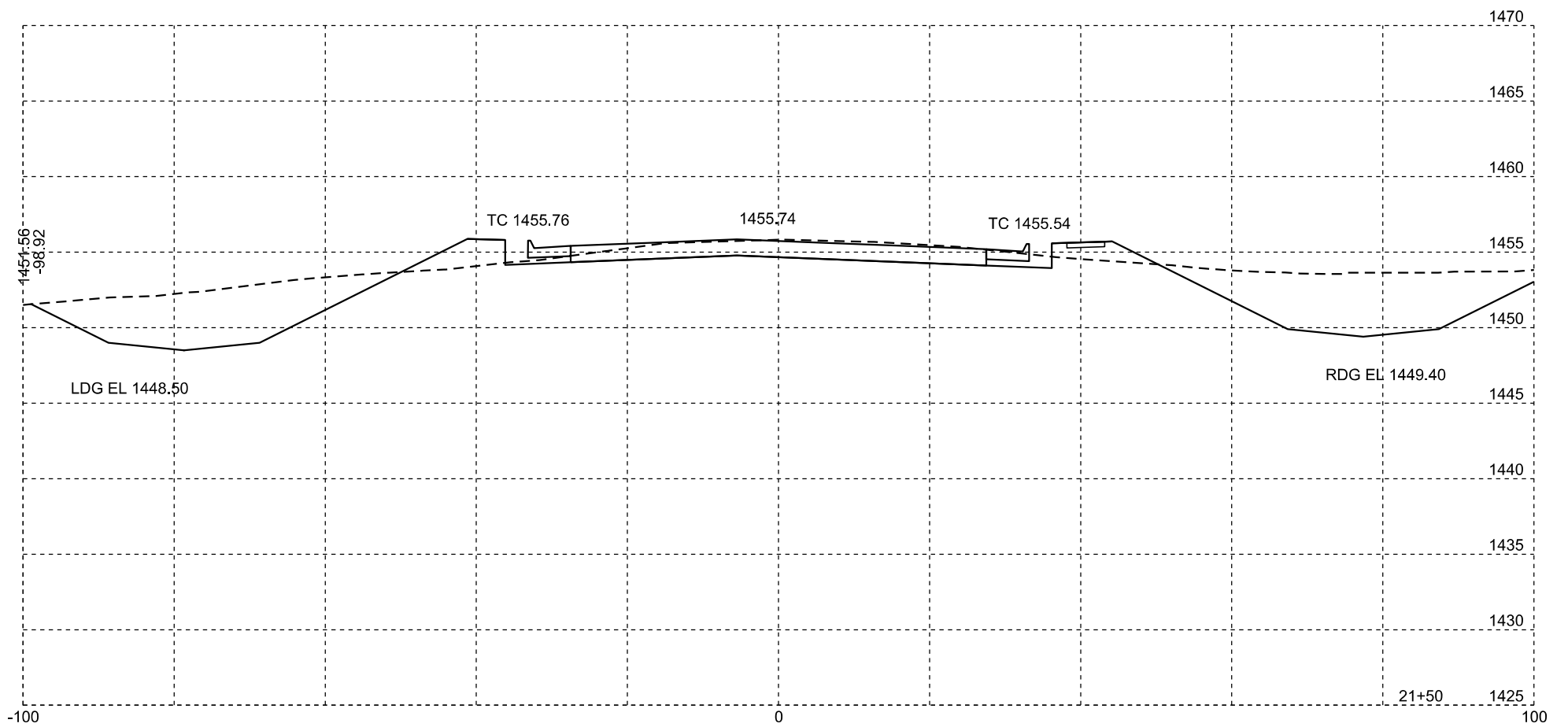
21+84-34.63' L
 Install 4'x6' Type S Drop Inlet
 Base and Precast Concrete
 Type S Drop Inlet Lid
 Top of Curb EI 1455.86
 Top of Wall EI 1454.36
 Floor EI 1448.62

21+84-34.63' R
 Install 4'x6' Type S Drop Inlet
 Base and Precast Concrete
 Type S Drop Inlet Lid
 Top of Curb EI 1455.64
 Top of Wall EI 1454.14
 Floor EI 1448.98

21+84-34.63' L to 21+84-63.14' L (32' ac)
 Install 36" - 18' RCP
 & 1 Flared End
 (Between Drop Inlet and Outlet)

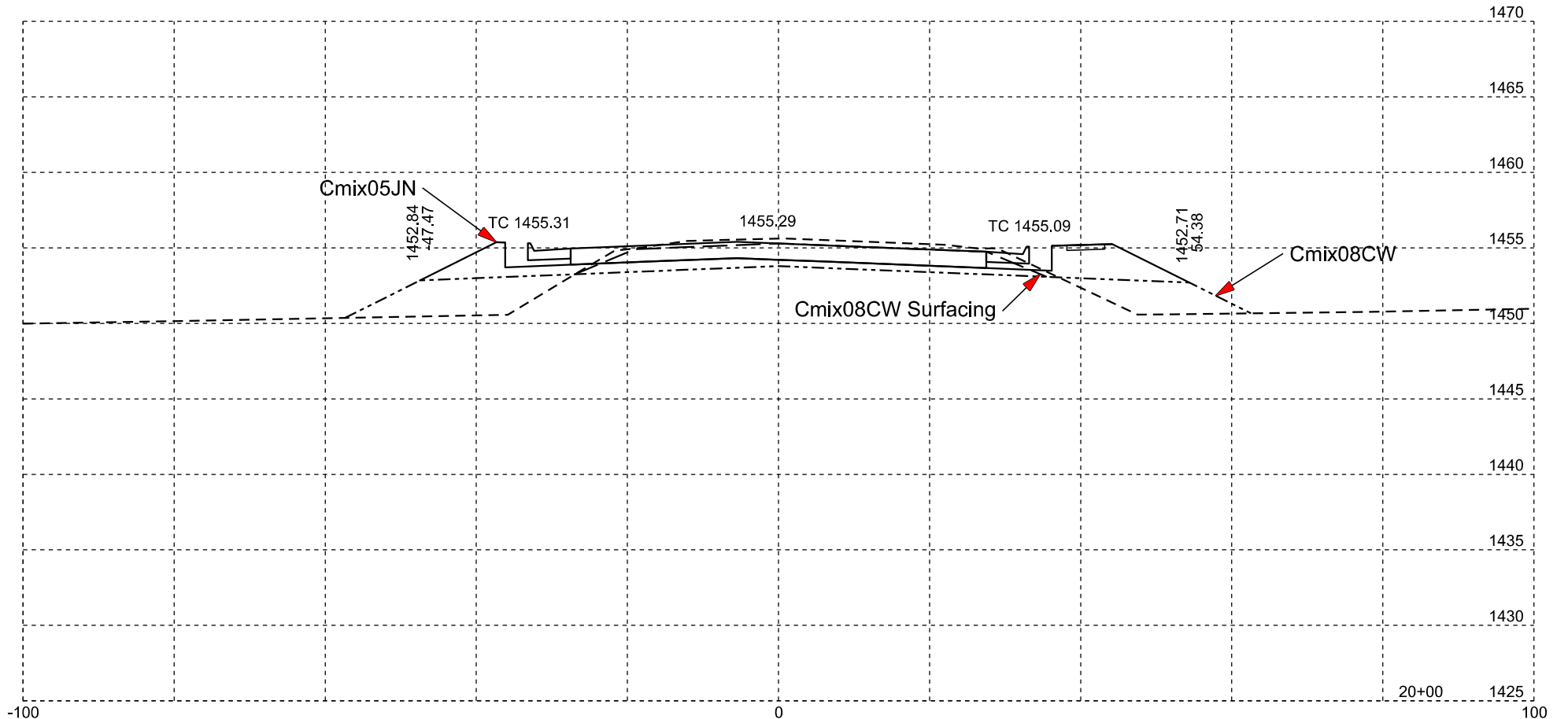
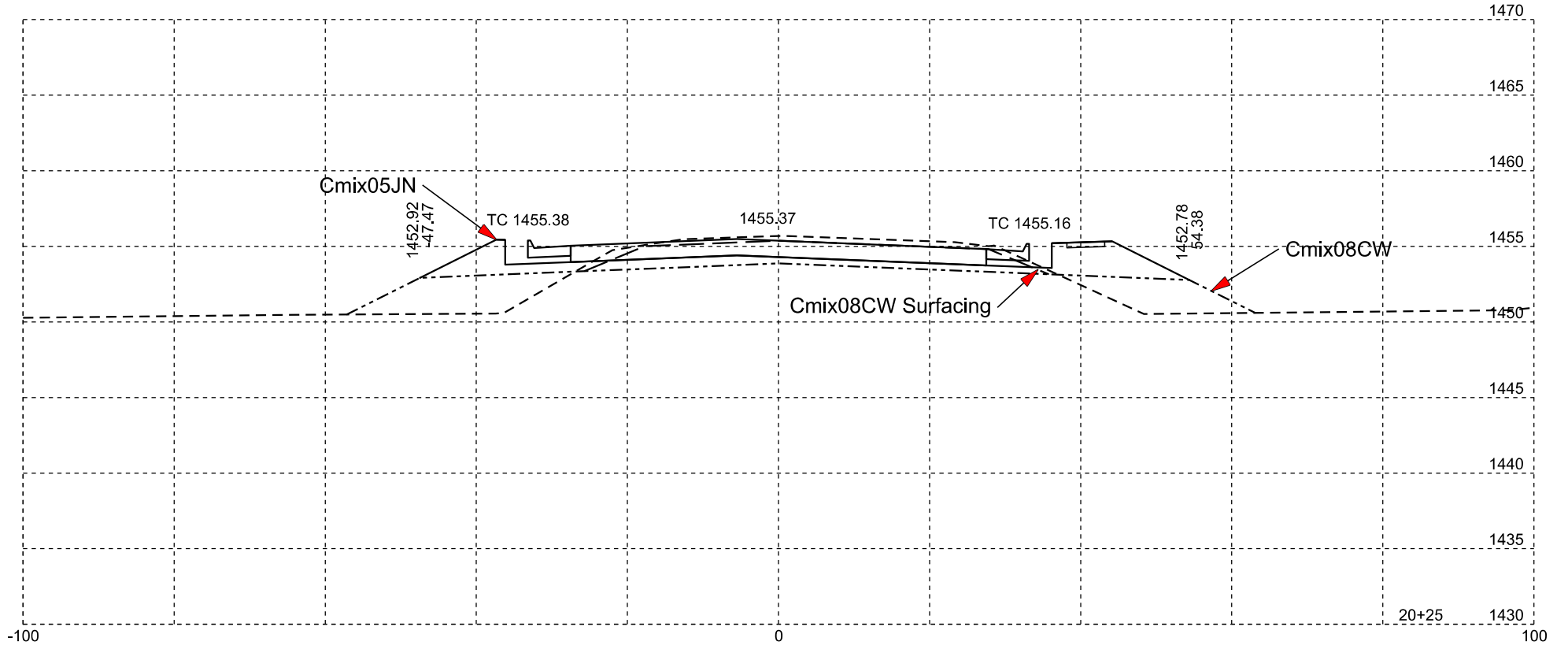
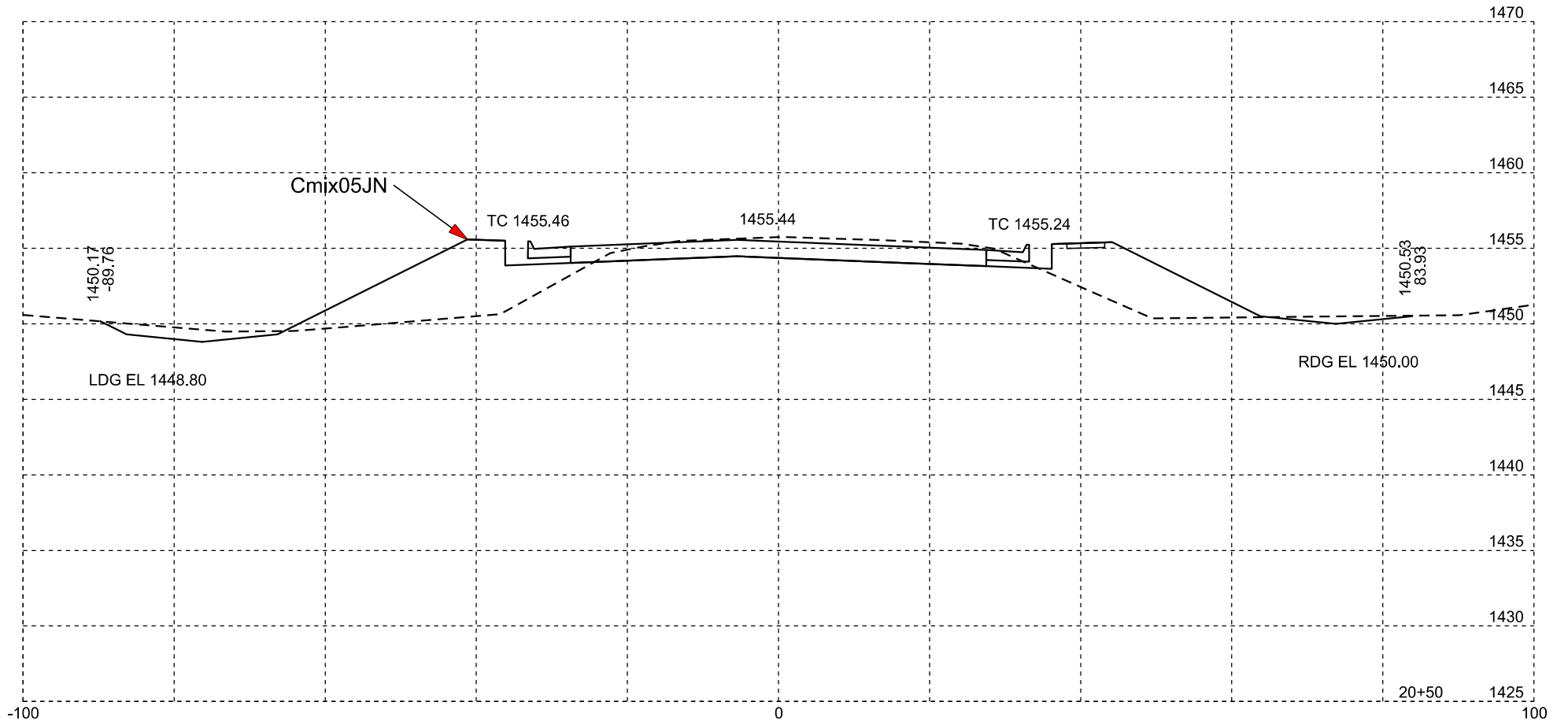
21+84-34.63' R to 21+84-34.63' L (32' ac)
 Install 36" - 66' RCP
 (Between Drop Inlets)

21+84-63.23' R to 21+84-34.63' R (32' ac)
 Install 36" - 18' RCP
 & 1 Flared End
 (Between Inlet and Drop Inlet)



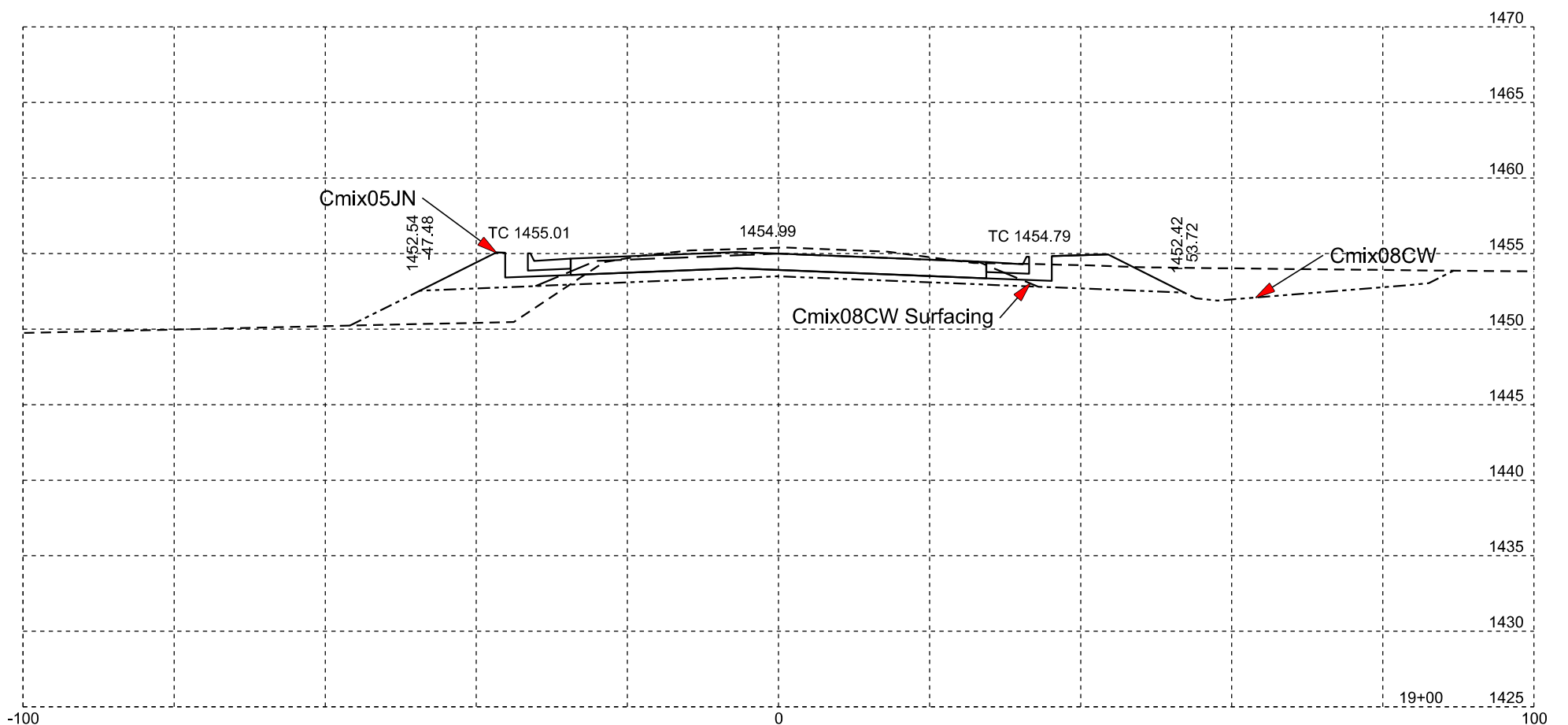
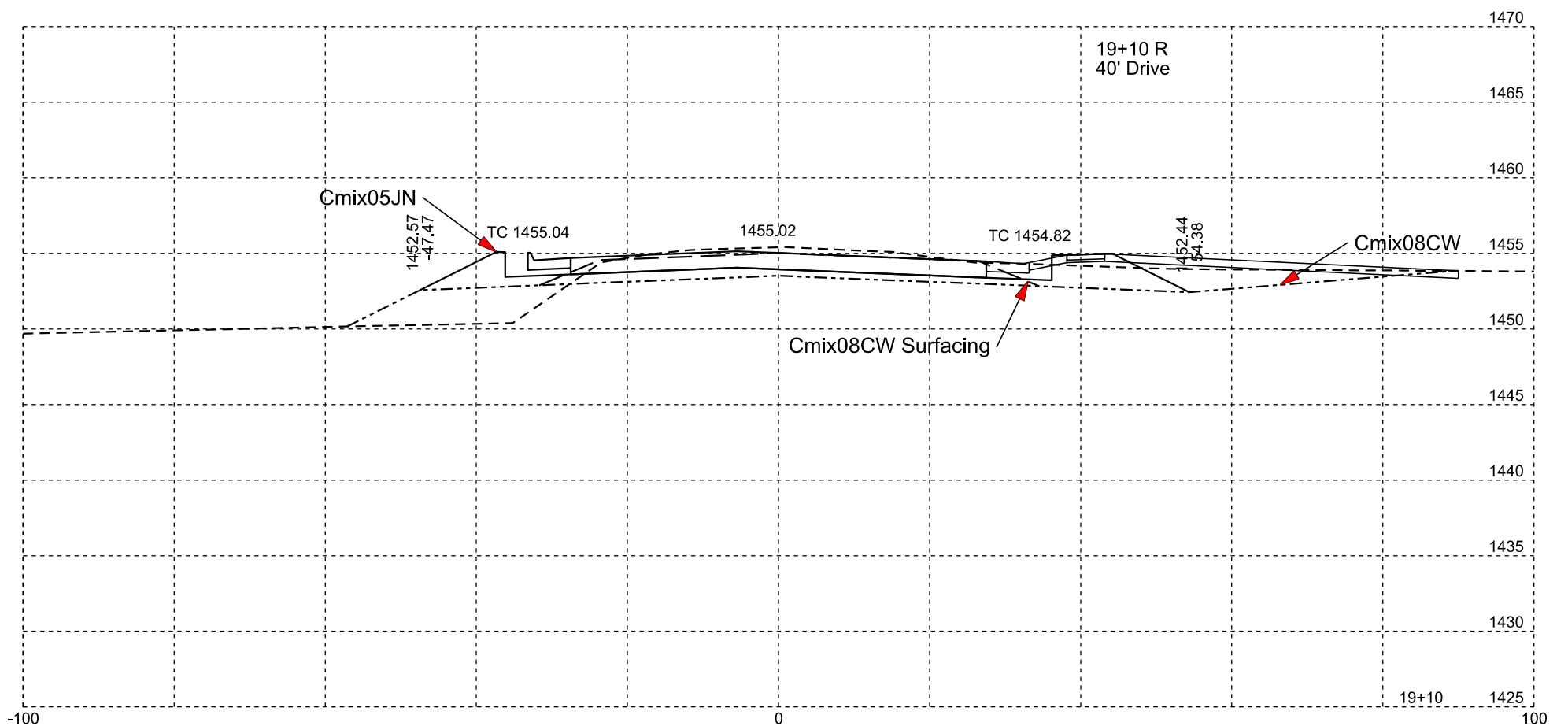
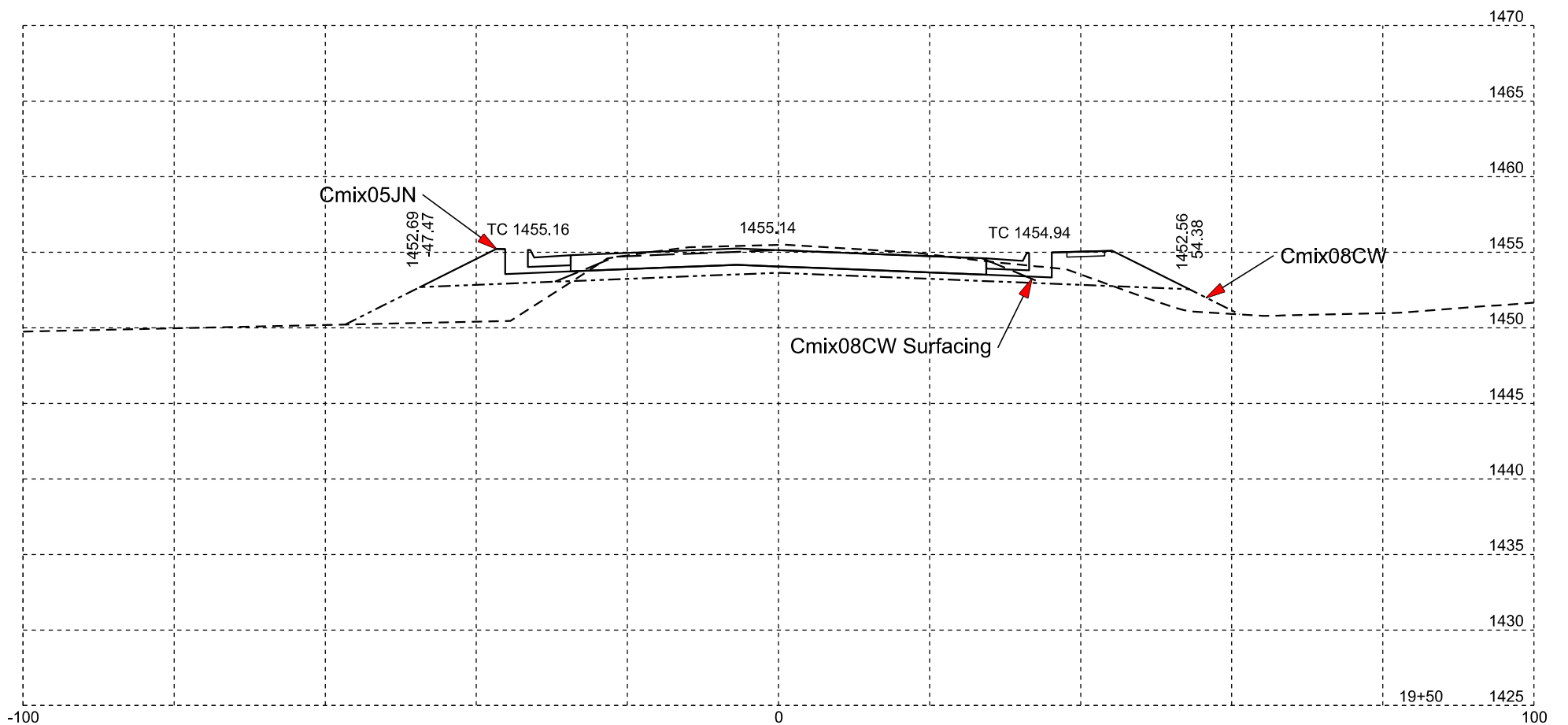
Plotting Date: 09/06/2024

| | | | |
|-----------------------------|-------------------|--------------|-----------------|
| STATE OF SOUTH DAKOTA | PROJECT | SHEET NO. | TOTAL SHEETS |
| | NH-CR 0046(69)288 | X124 | X139 |



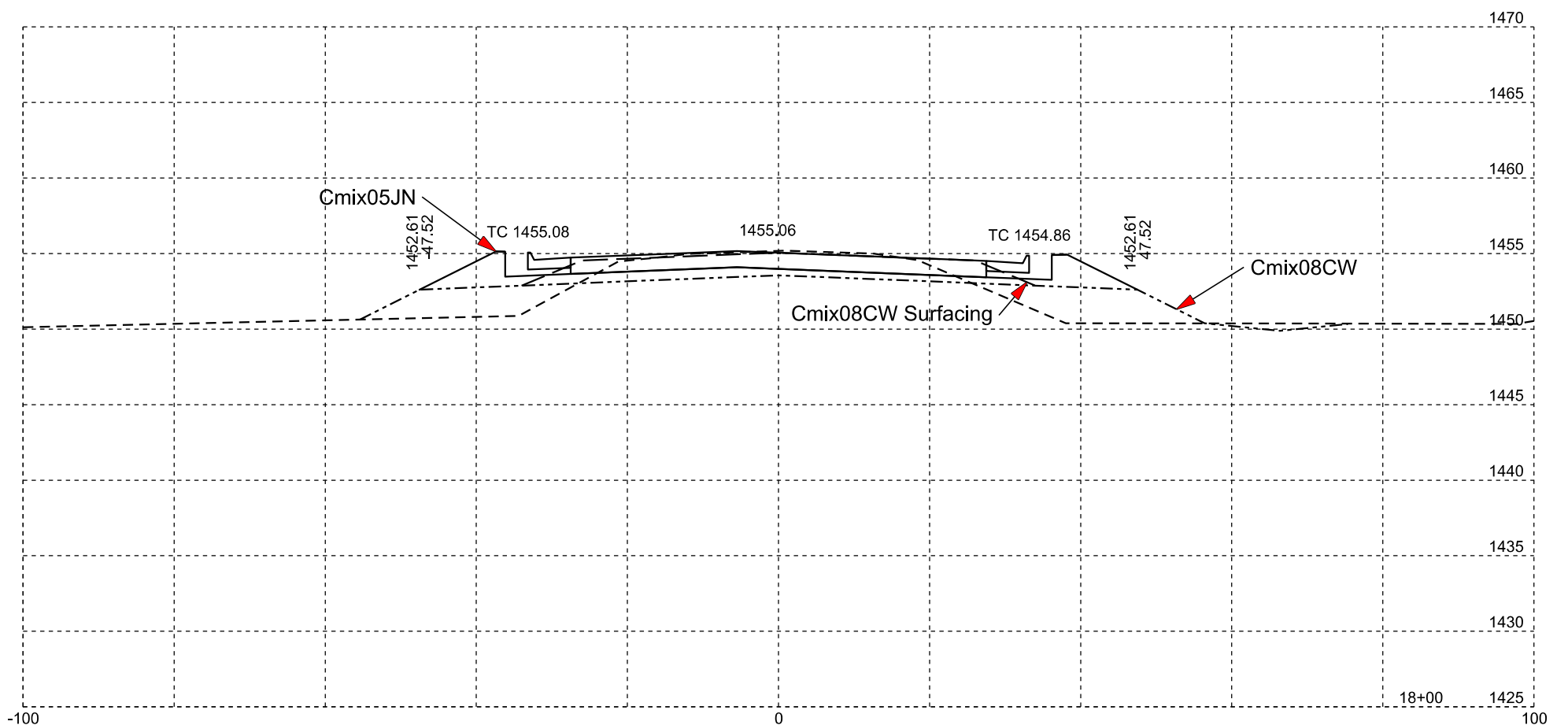
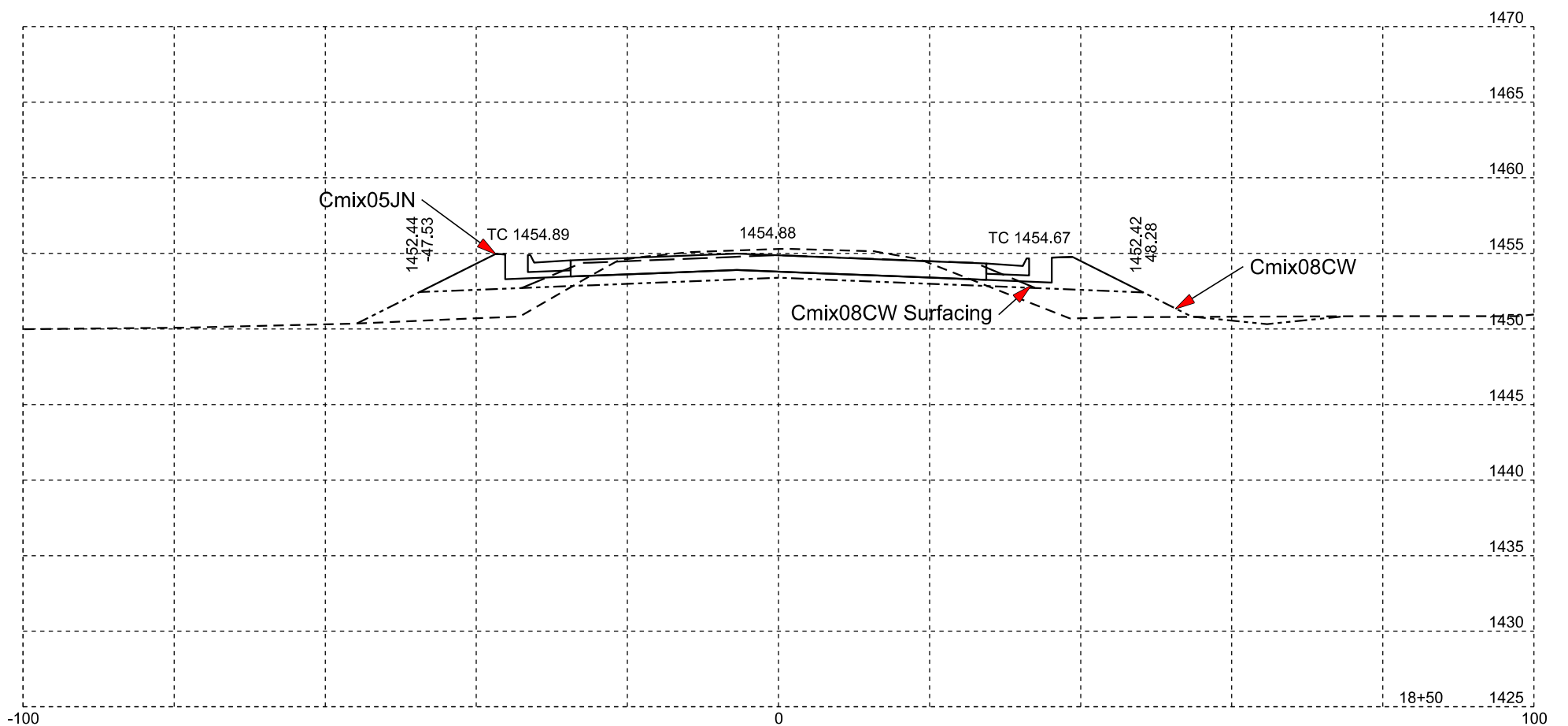
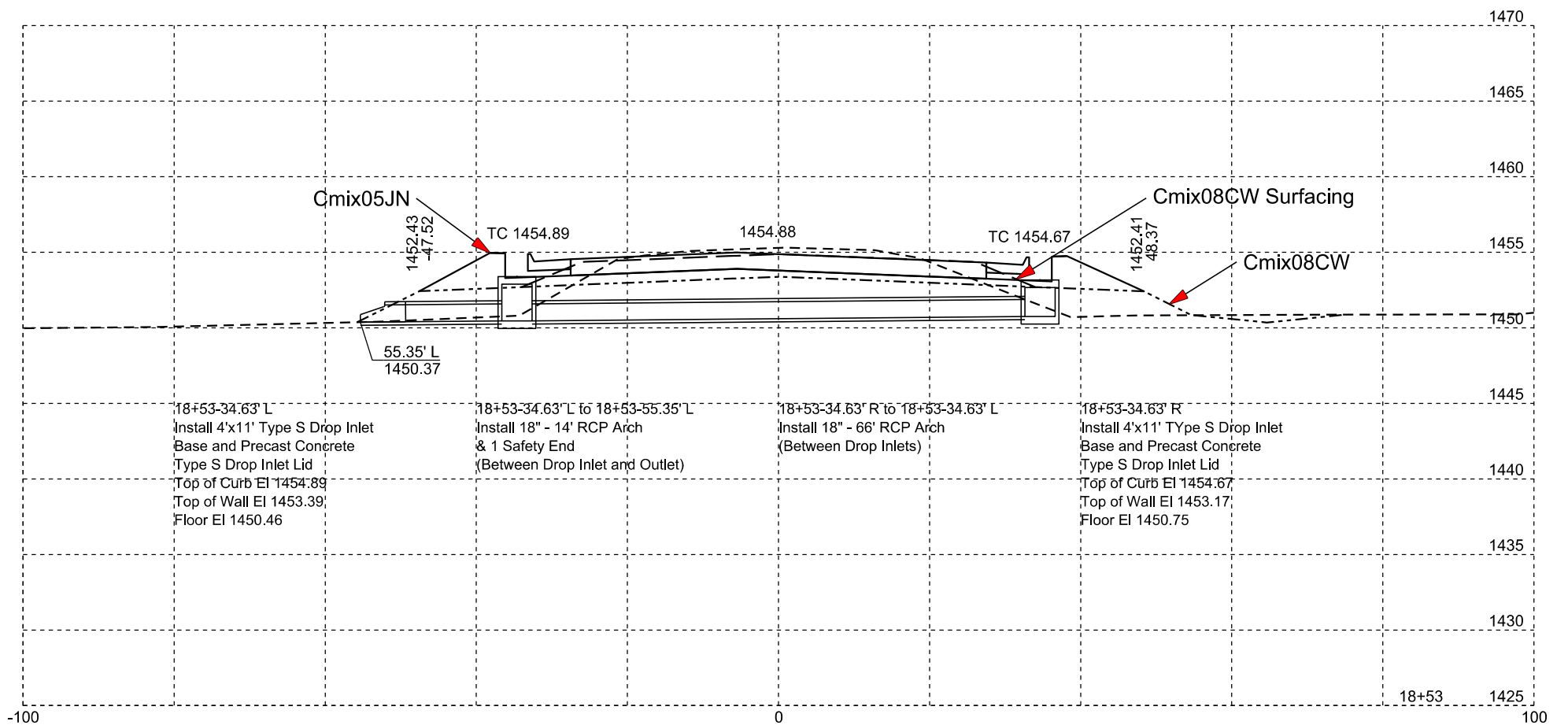
Plotting Date: 09/06/2024

| | | | |
|-----------------------|-------------------|-----------|--------------|
| STATE OF SOUTH DAKOTA | PROJECT | SHEET NO. | TOTAL SHEETS |
| | NH-CR 0046(69)288 | X125 | X139 |



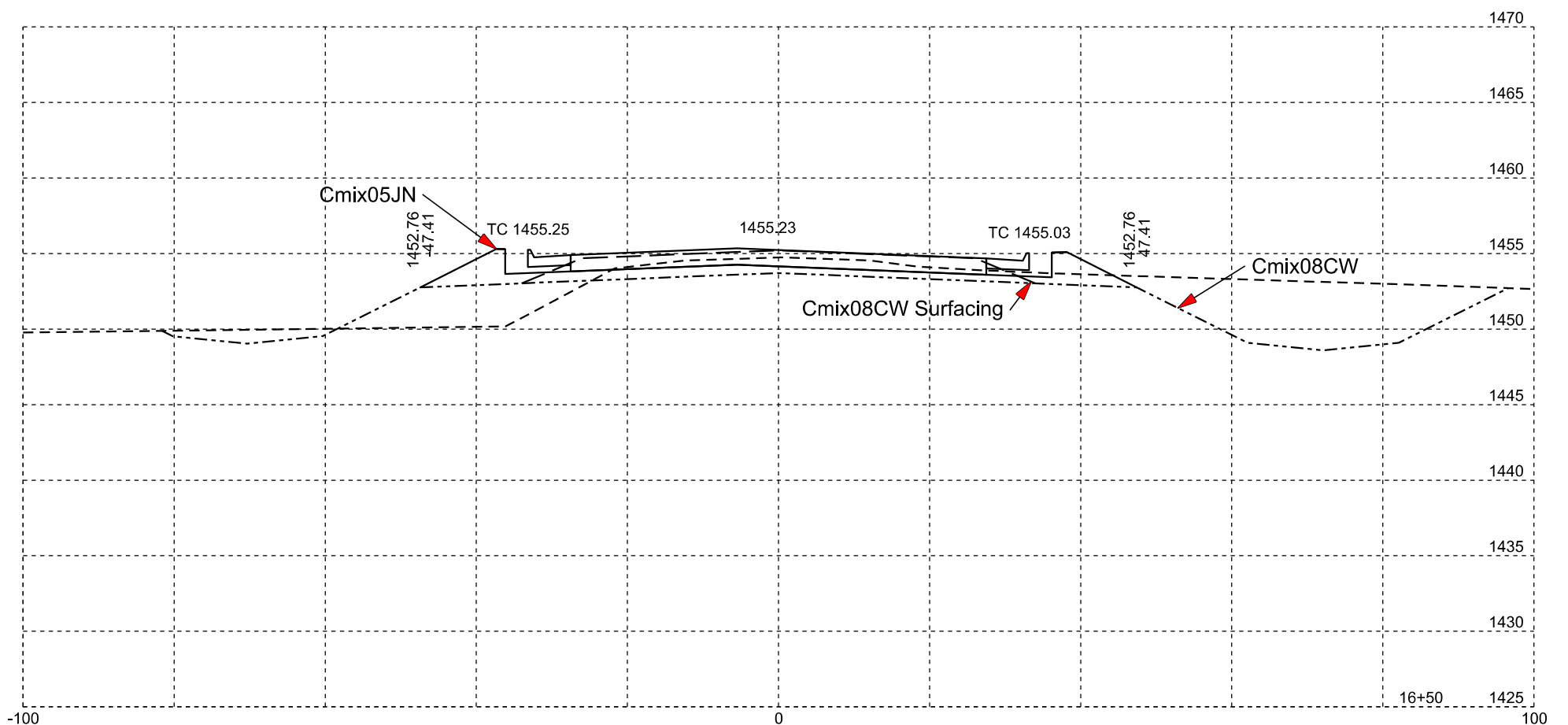
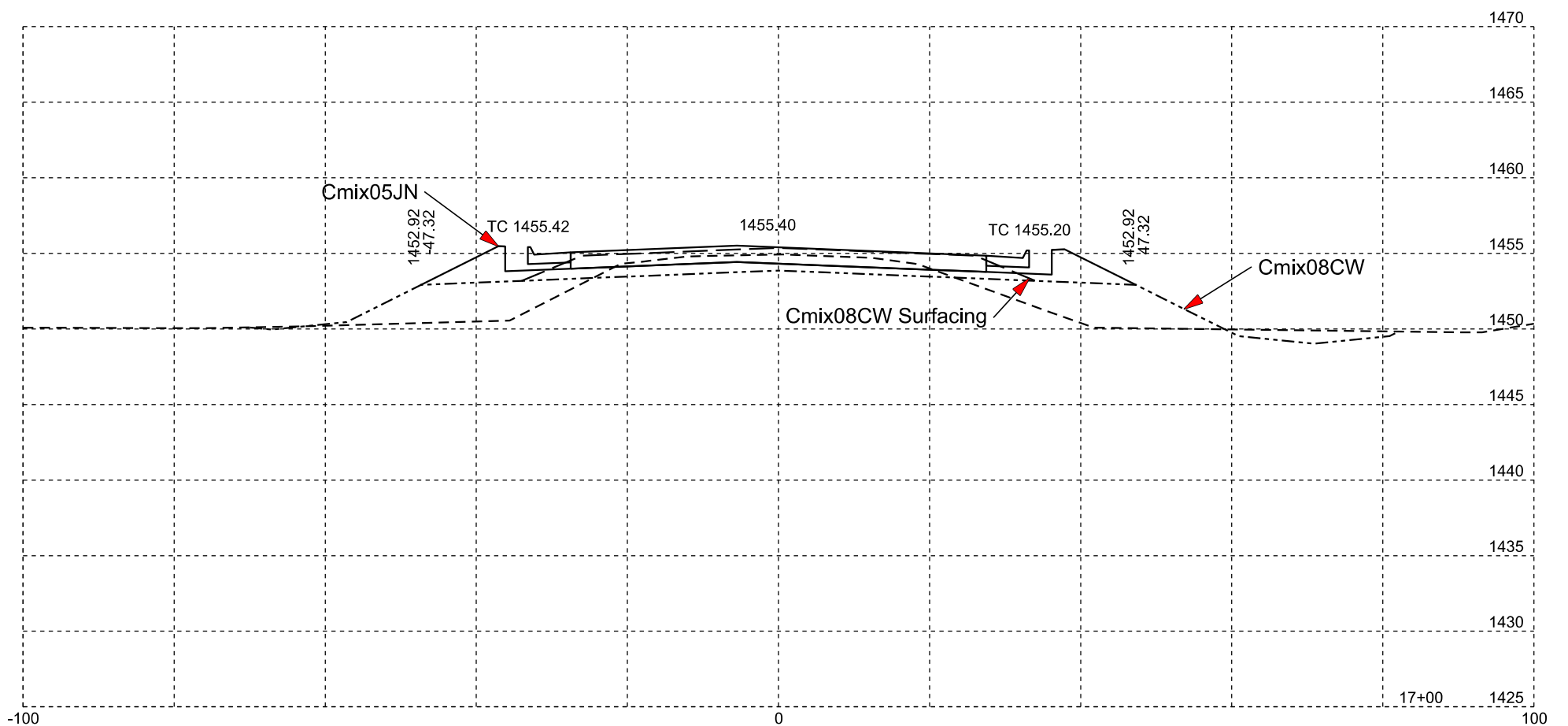
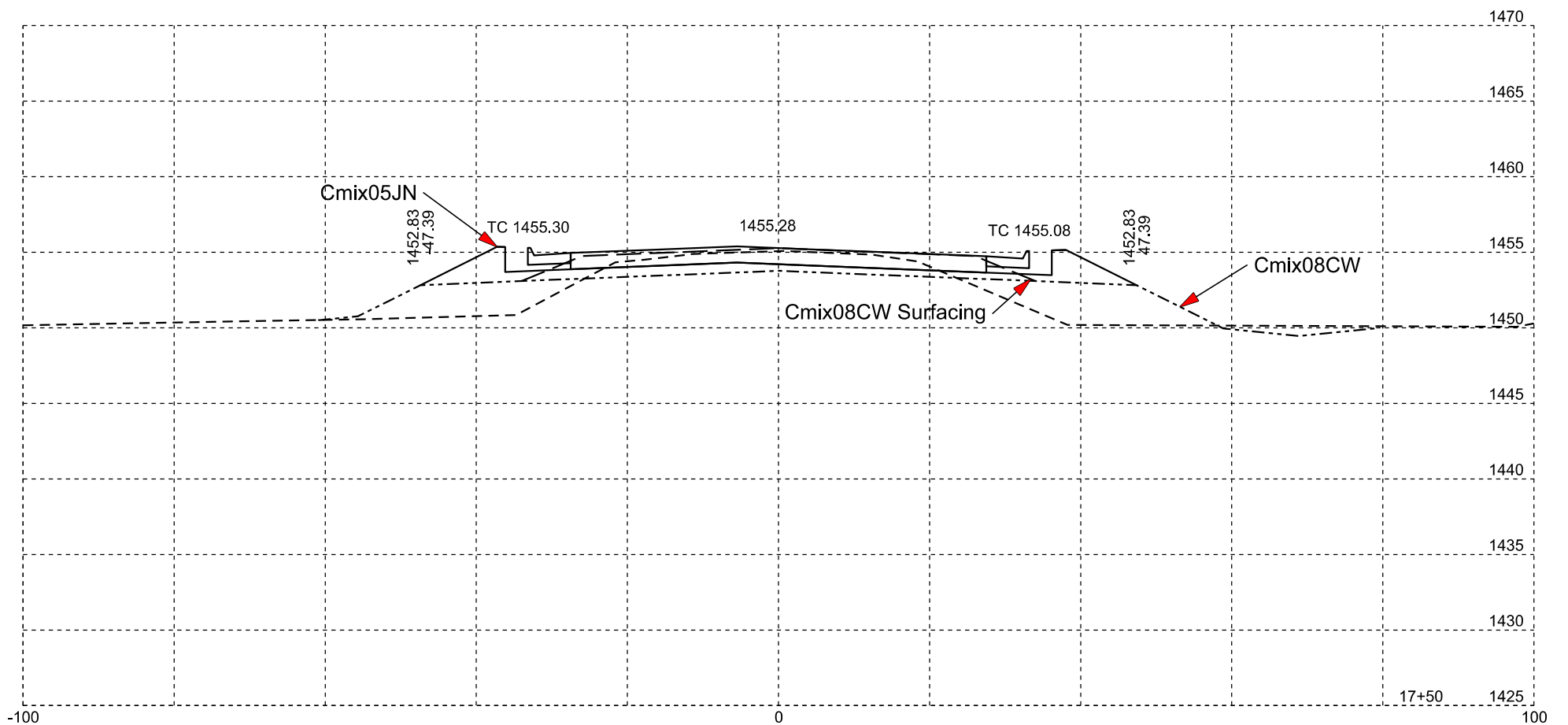
Plotting Date: 09/06/2024

| | | | |
|-----------------------------|-------------------|--------------|-----------------|
| STATE OF SOUTH DAKOTA | PROJECT | SHEET NO. | TOTAL SHEETS |
| | NH-CR 0046(69)288 | X126 | X139 |



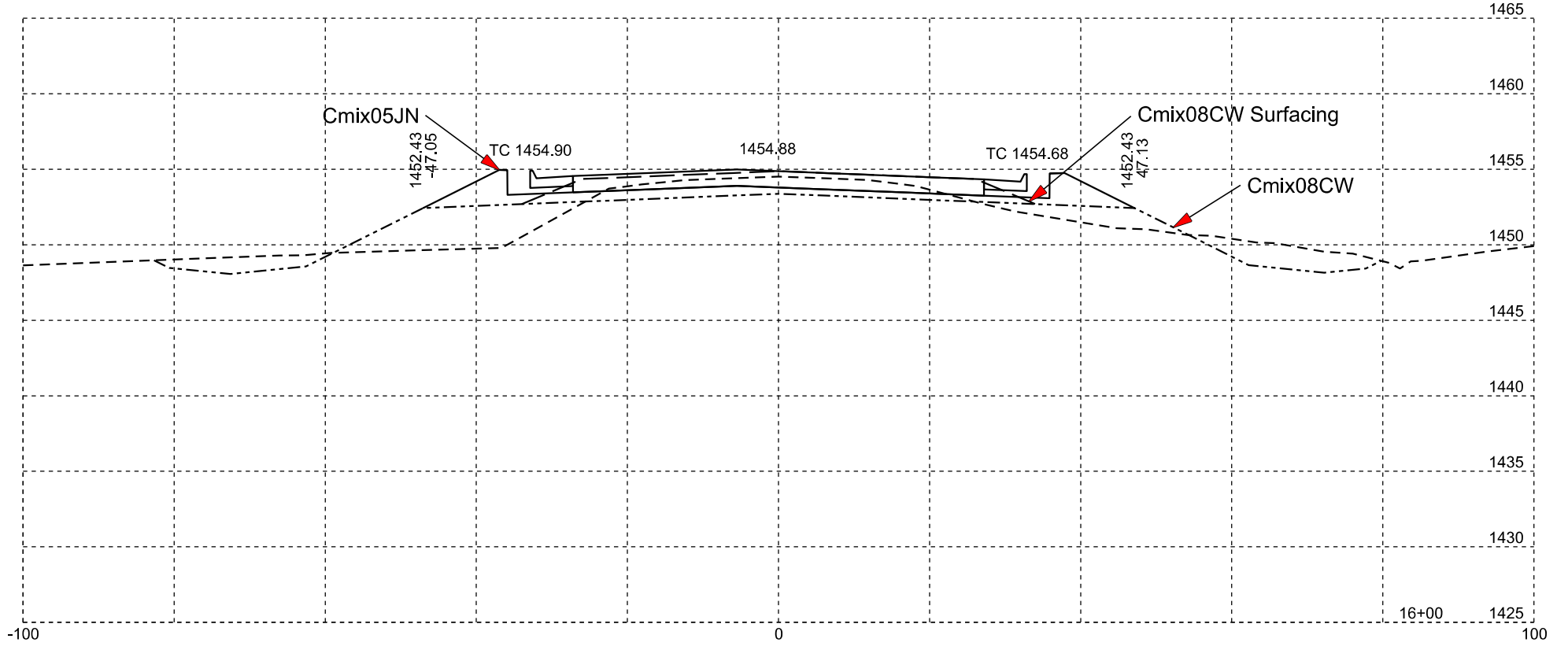
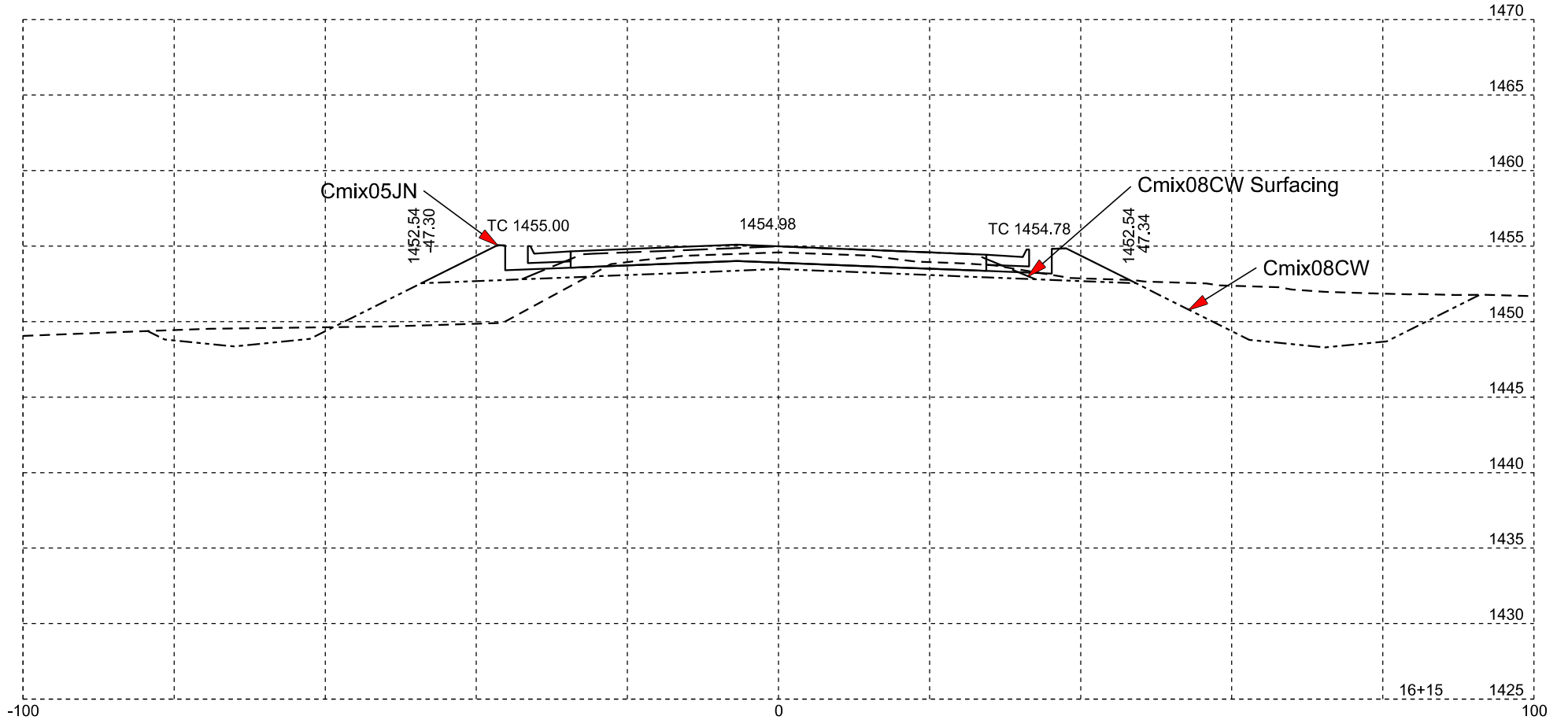
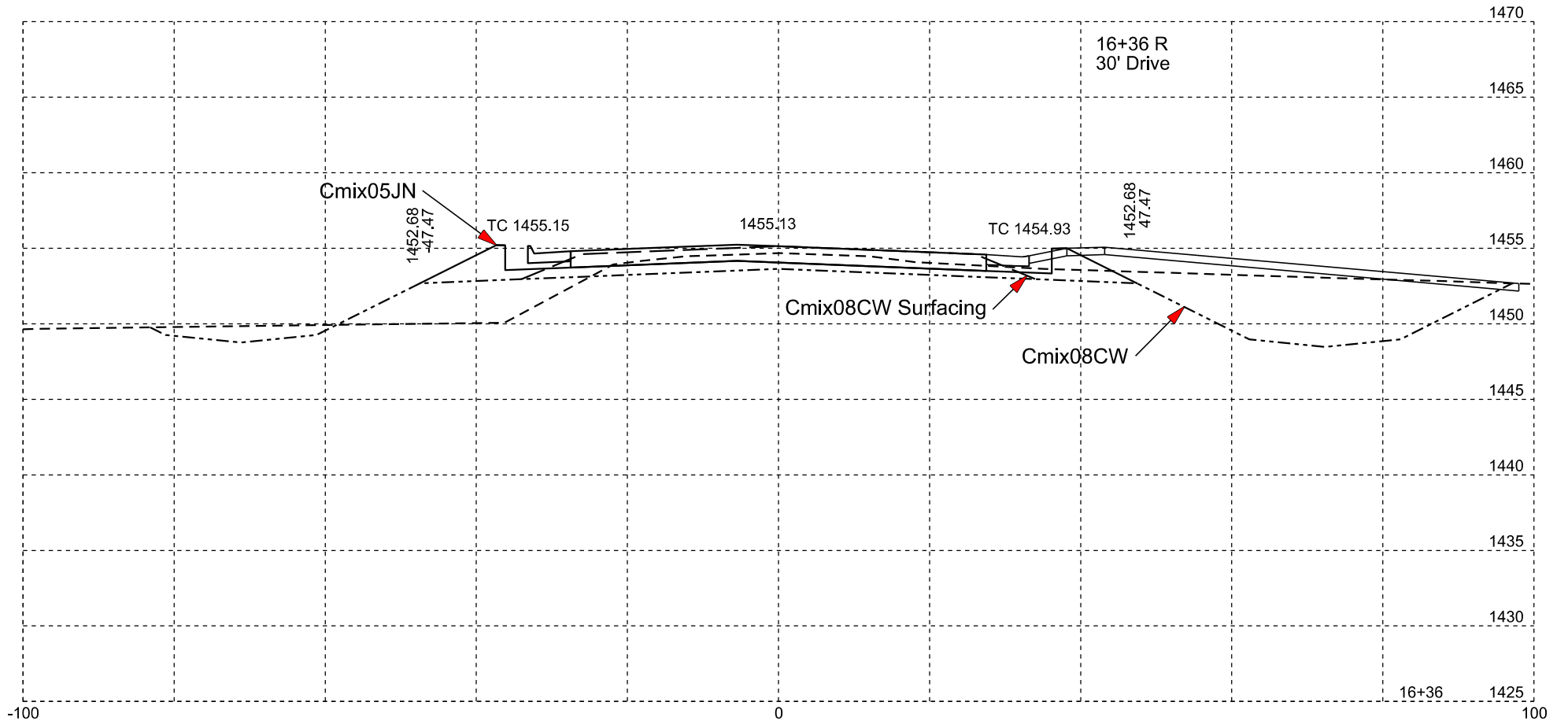
Plotting Date: 09/06/2024

| | | | |
|-----------------------------|-------------------|--------------|-----------------|
| STATE OF SOUTH DAKOTA | PROJECT | SHEET NO. | TOTAL SHEETS |
| | NH-CR 0046(69)288 | X127 | X139 |



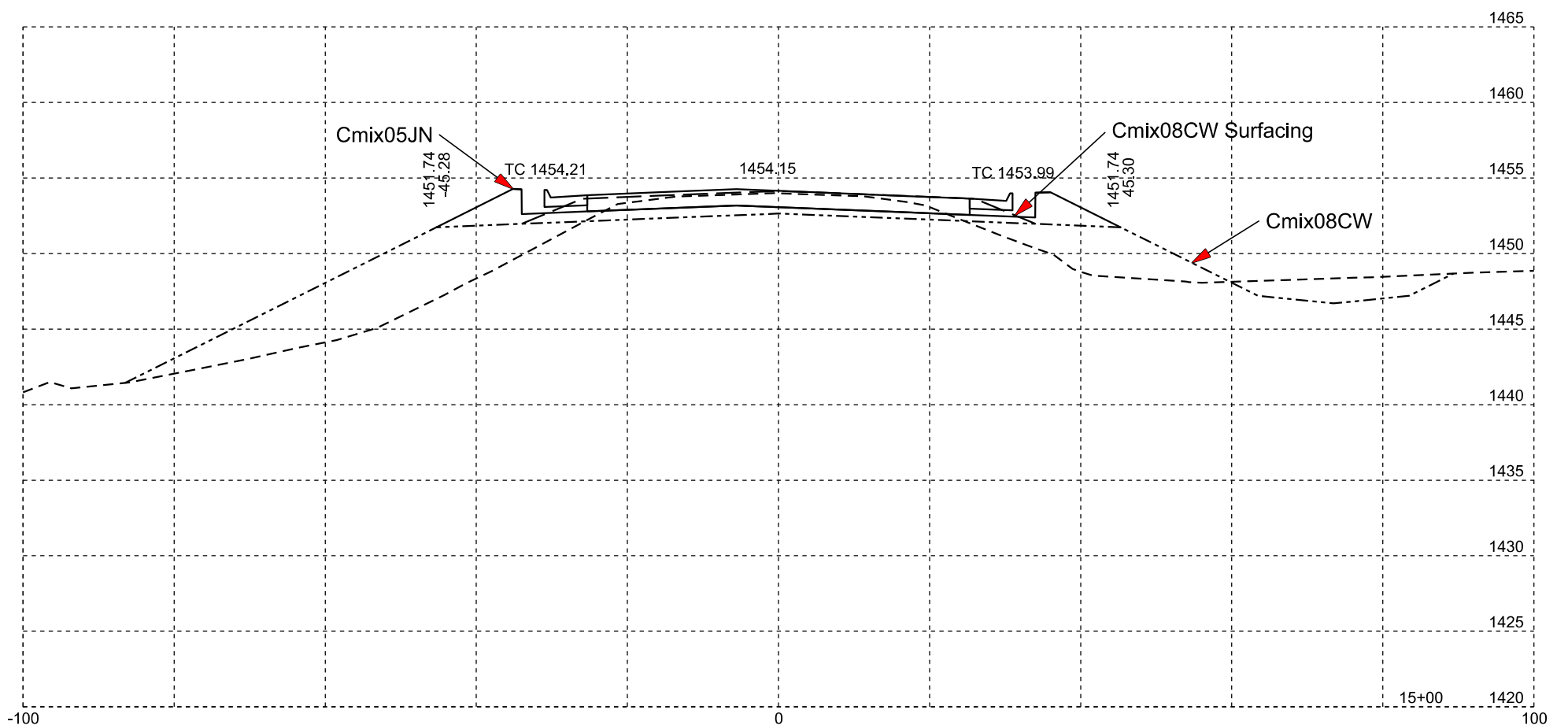
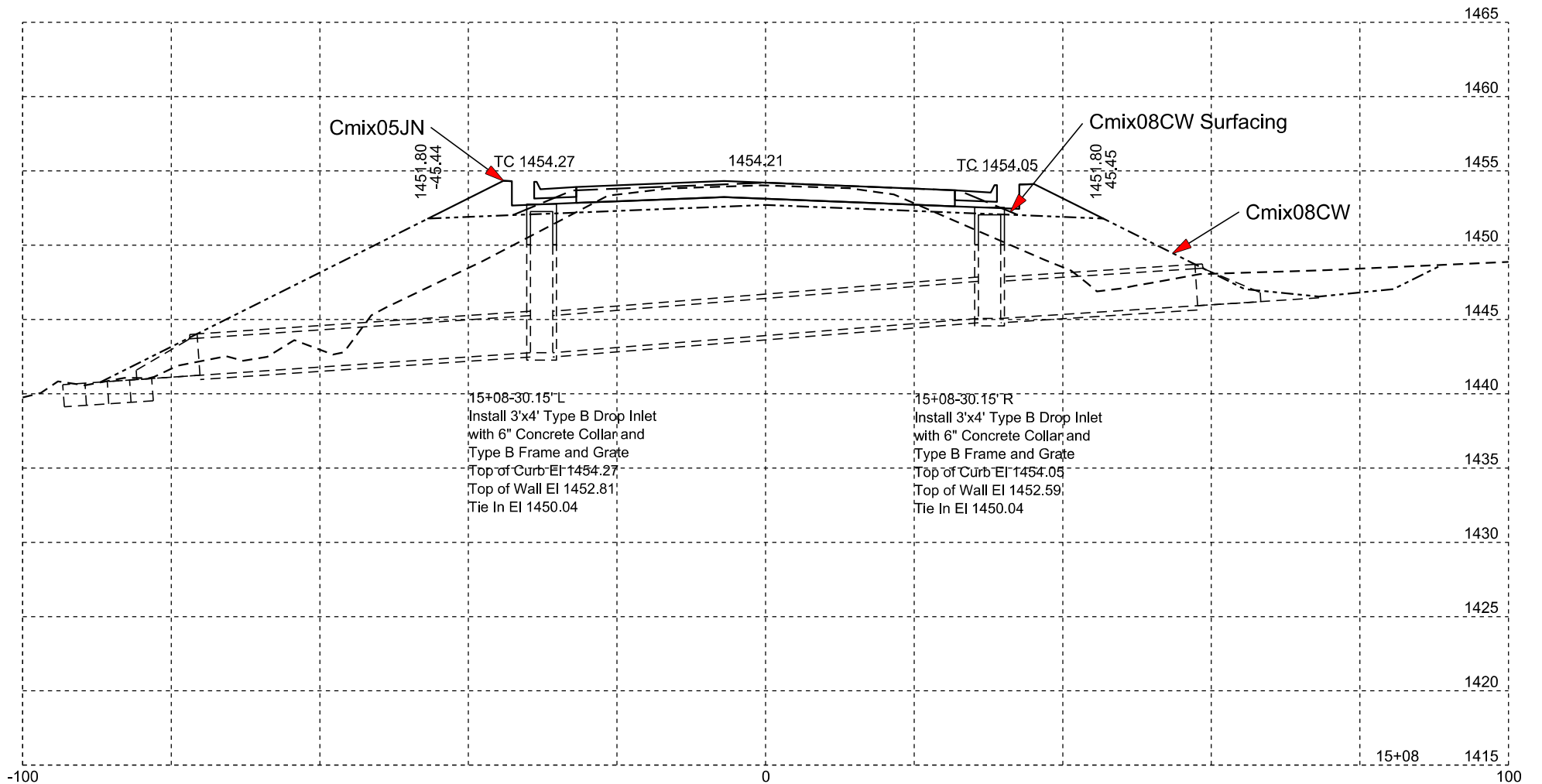
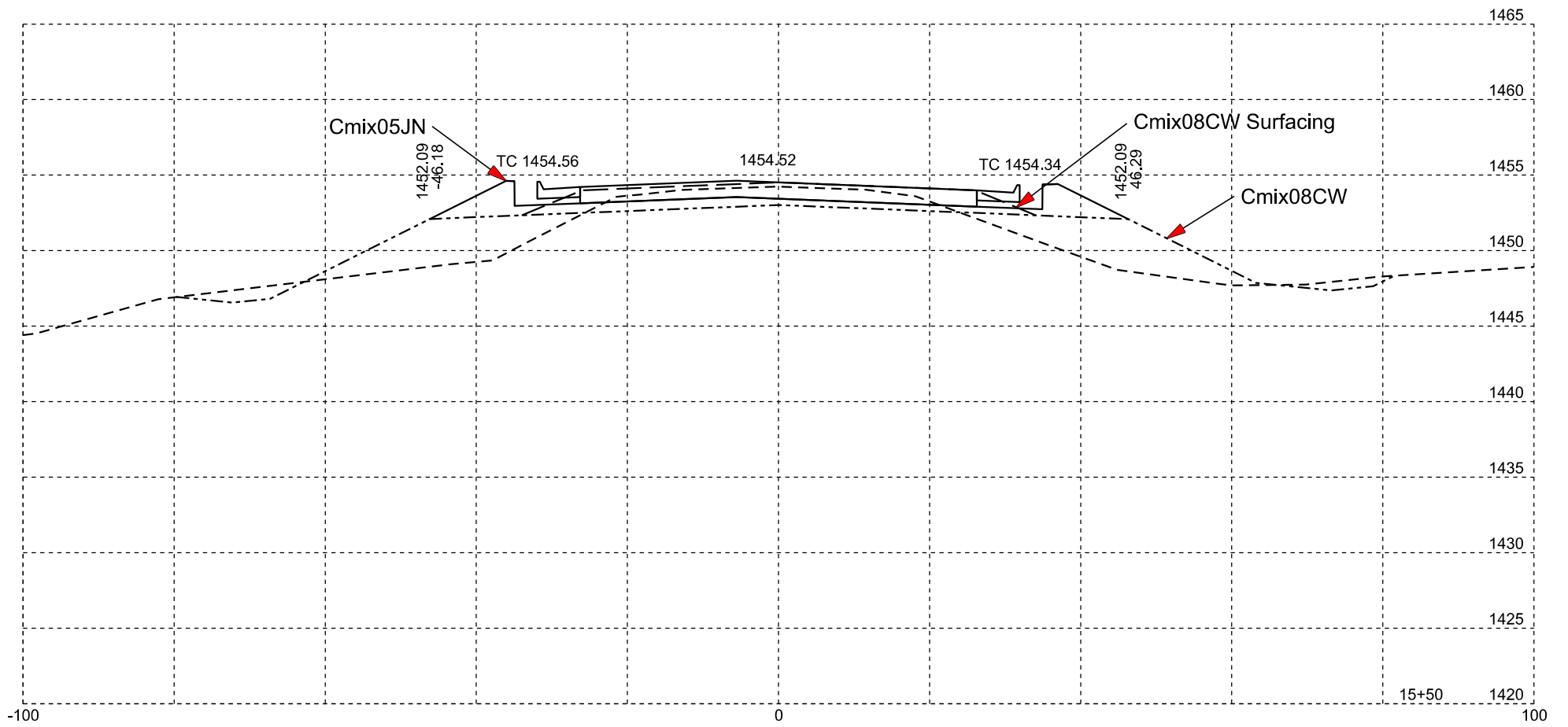
Plotting Date: 09/06/2024

| | | | |
|-----------------------|-------------------|-----------|--------------|
| STATE OF SOUTH DAKOTA | PROJECT | SHEET NO. | TOTAL SHEETS |
| | NH-CR 0046(69)288 | X128 | X139 |



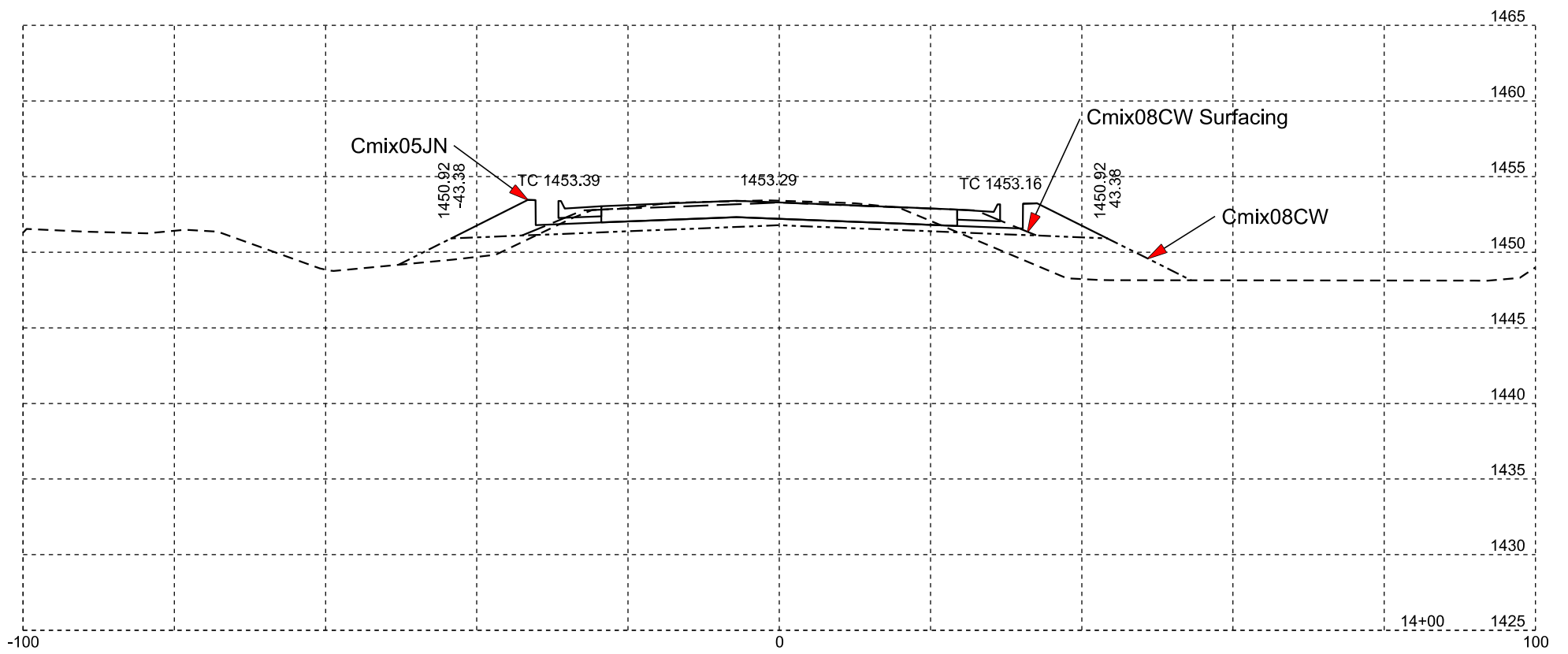
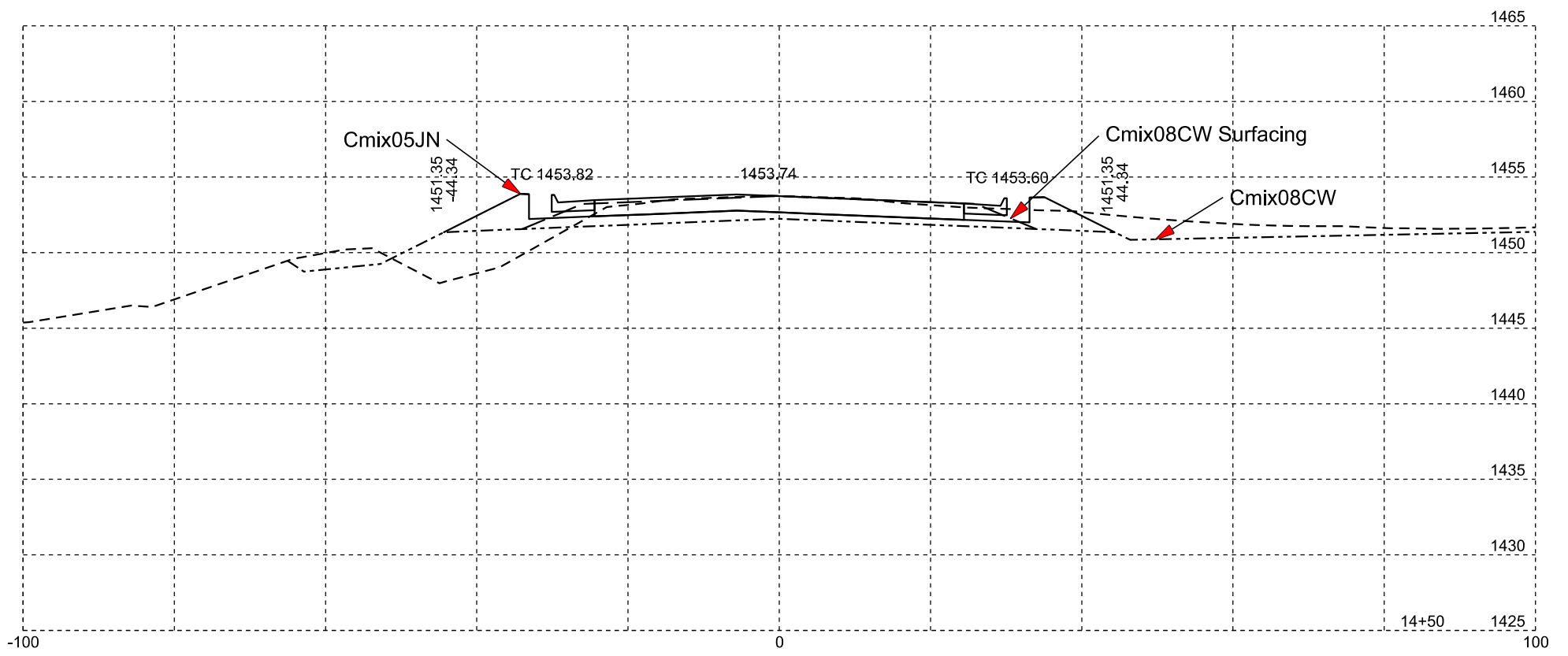
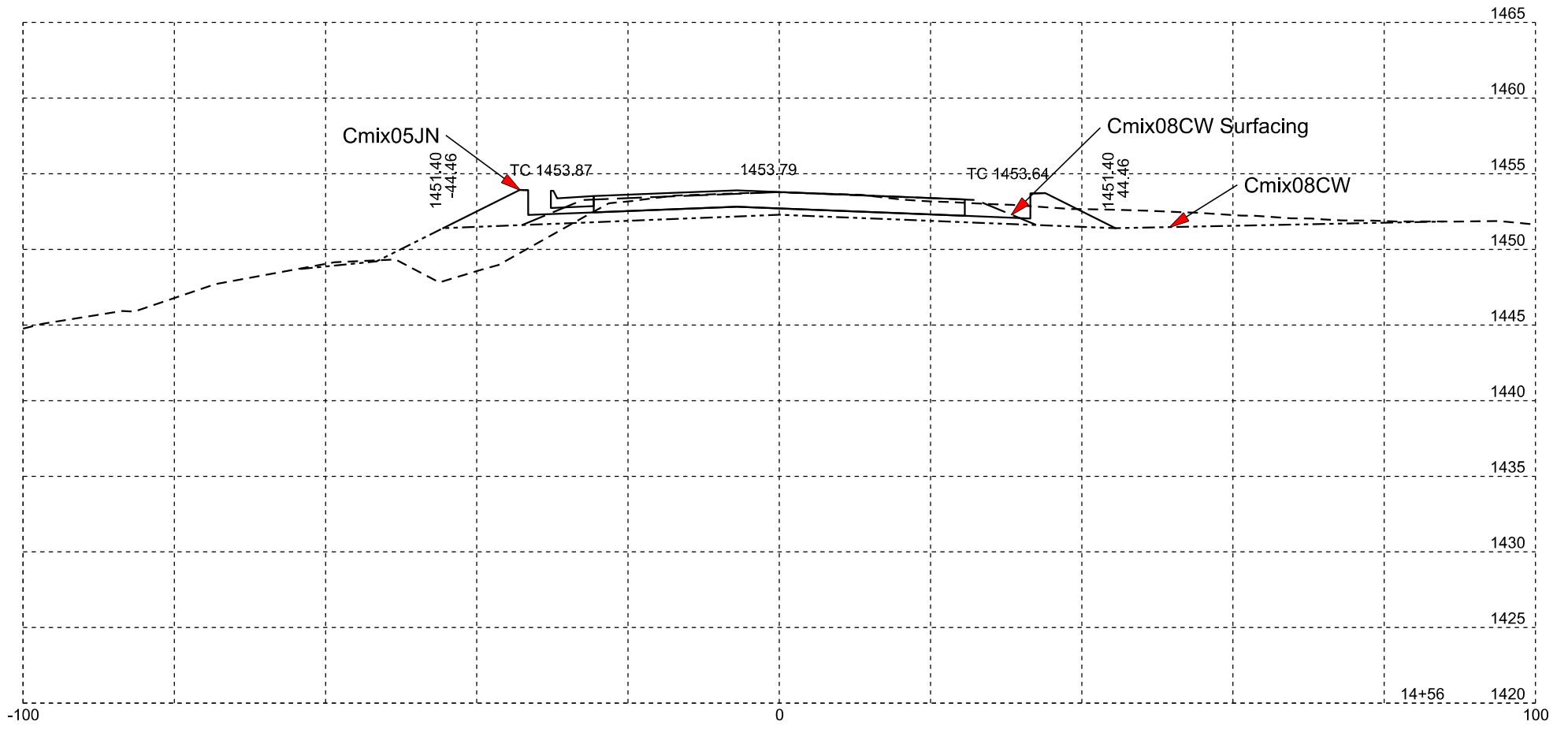
Plotting Date: 09/06/2024

| | | | |
|-----------------------------|-------------------|--------------|-----------------|
| STATE OF SOUTH DAKOTA | PROJECT | SHEET NO. | TOTAL SHEETS |
| | NH-CR 0046(69)288 | X129 | X139 |



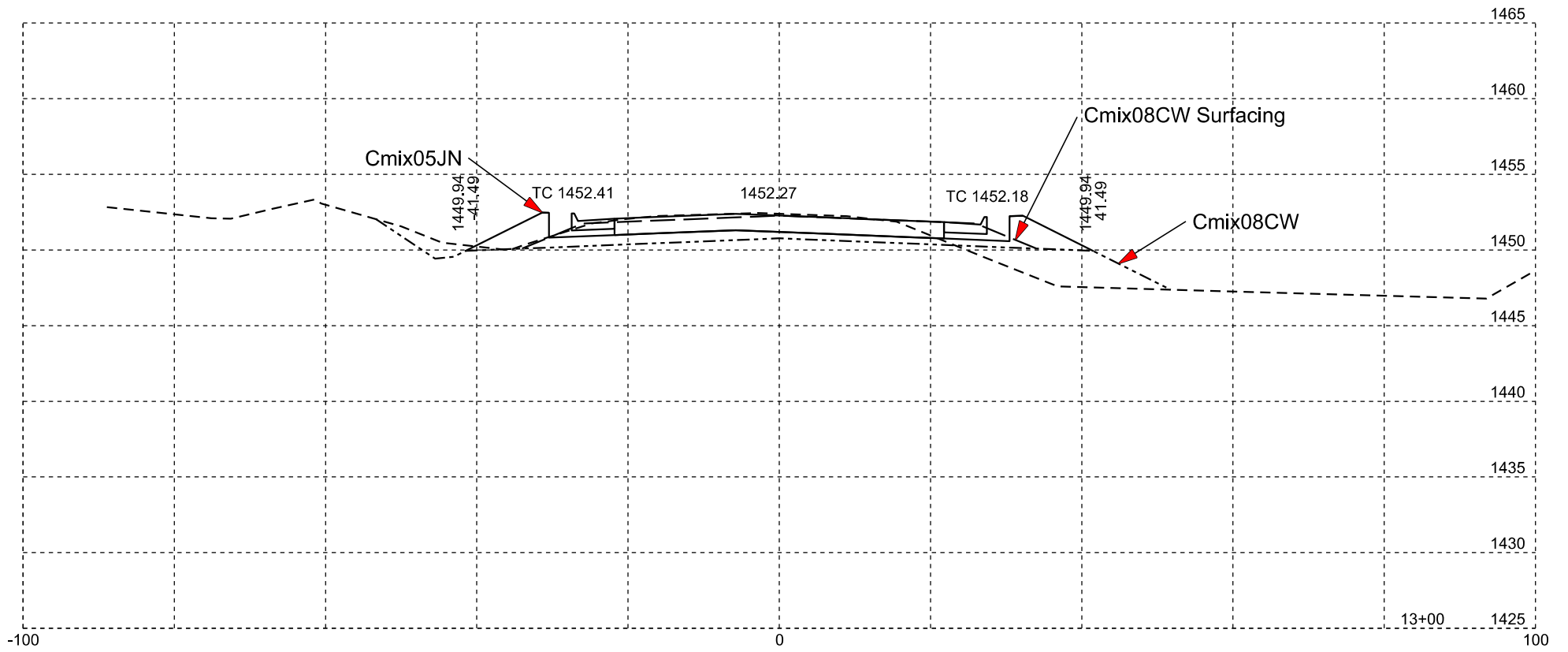
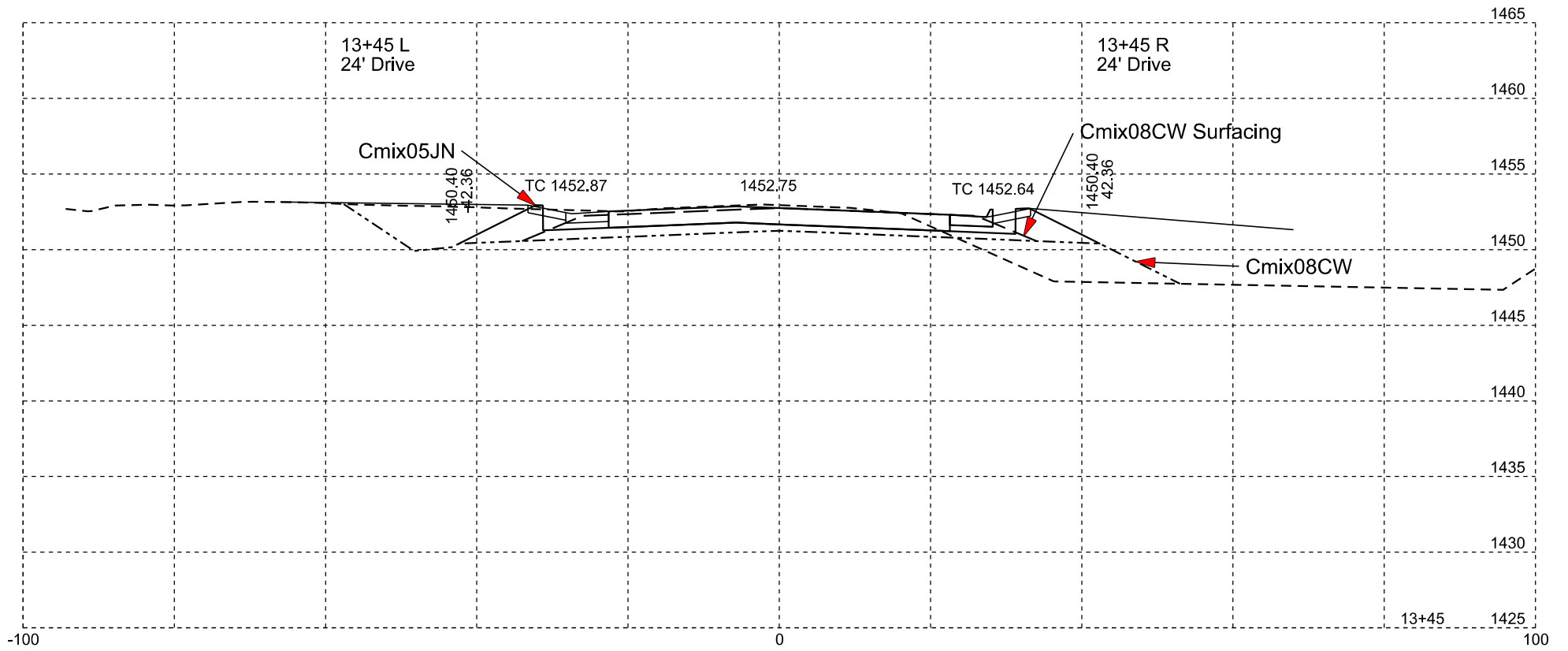
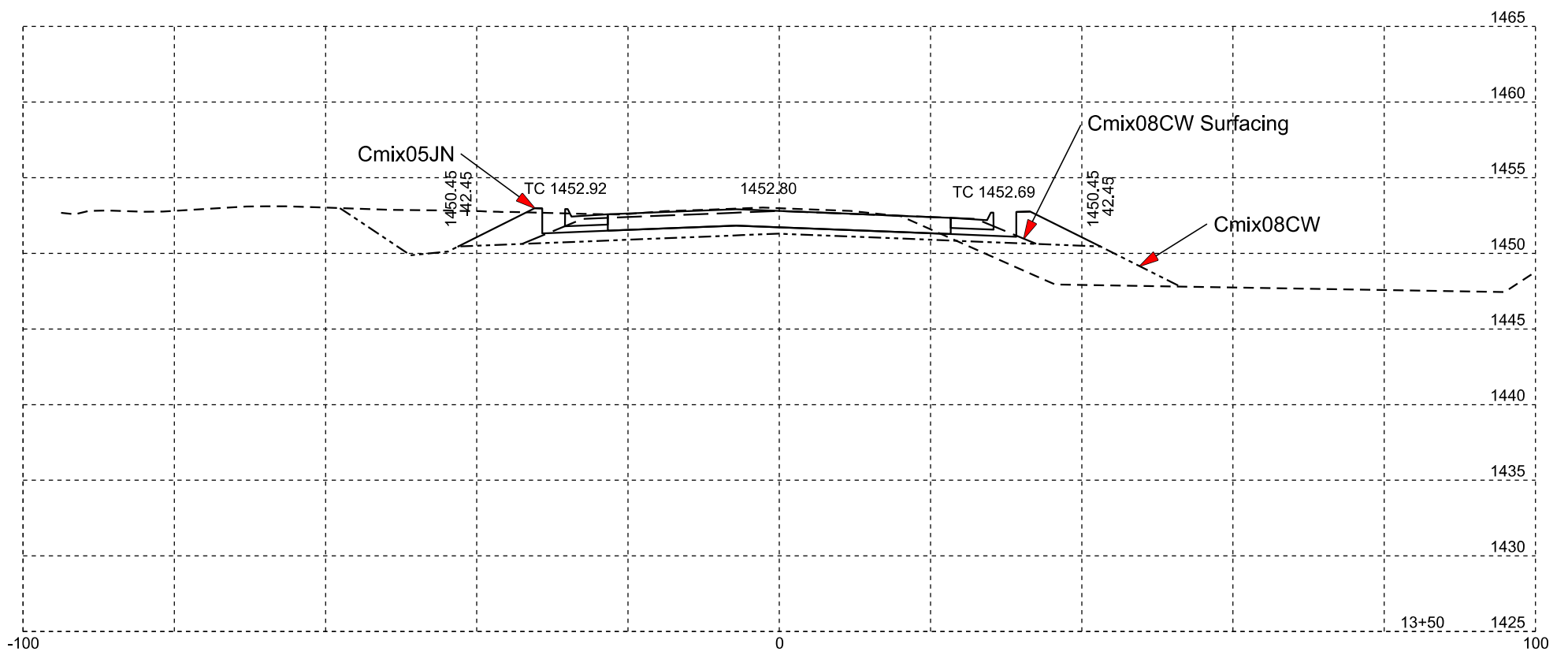
Plotting Date: 09/06/2024

| | | | |
|-----------------------------|-------------------|--------------|-----------------|
| STATE OF SOUTH DAKOTA | PROJECT | SHEET NO. | TOTAL SHEETS |
| | NH-CR 0046(69)288 | X130 | X139 |



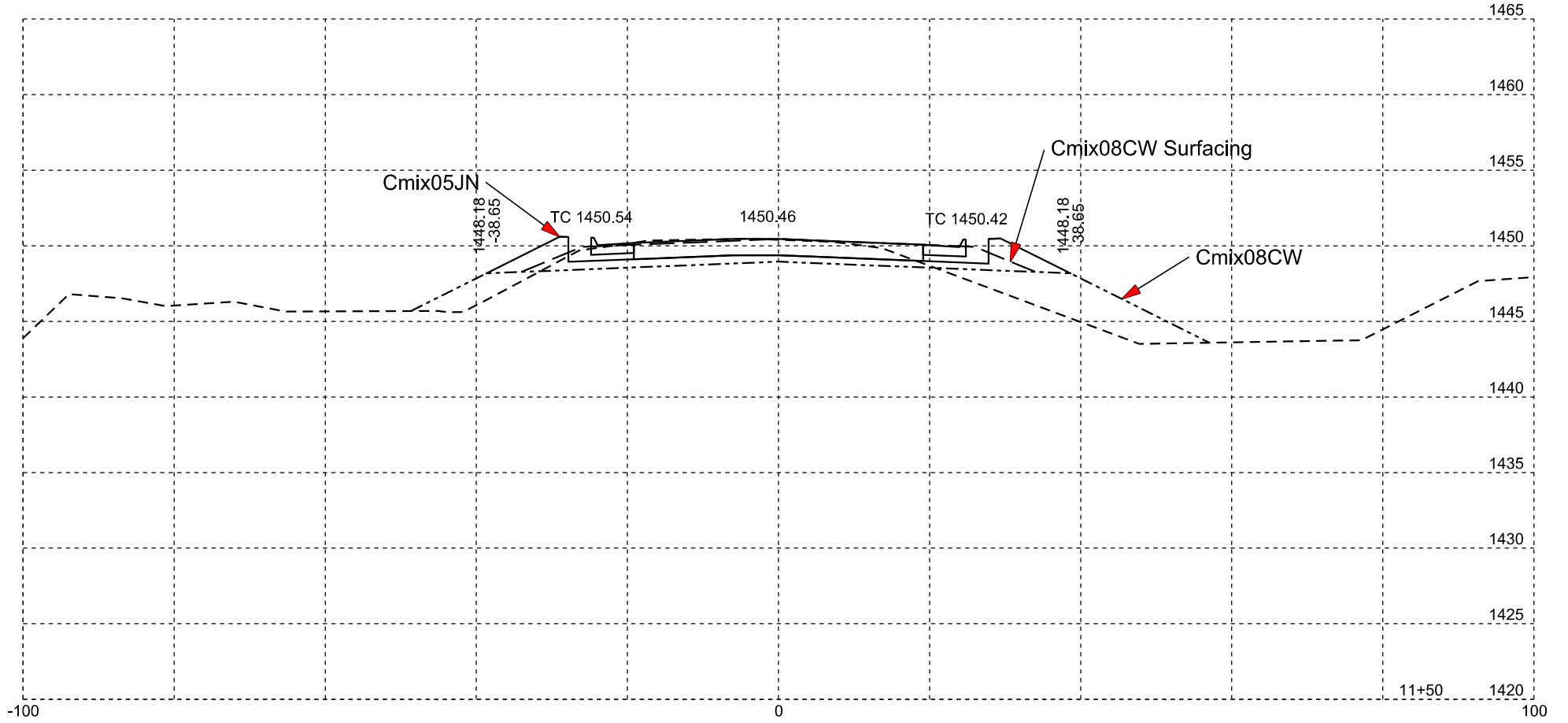
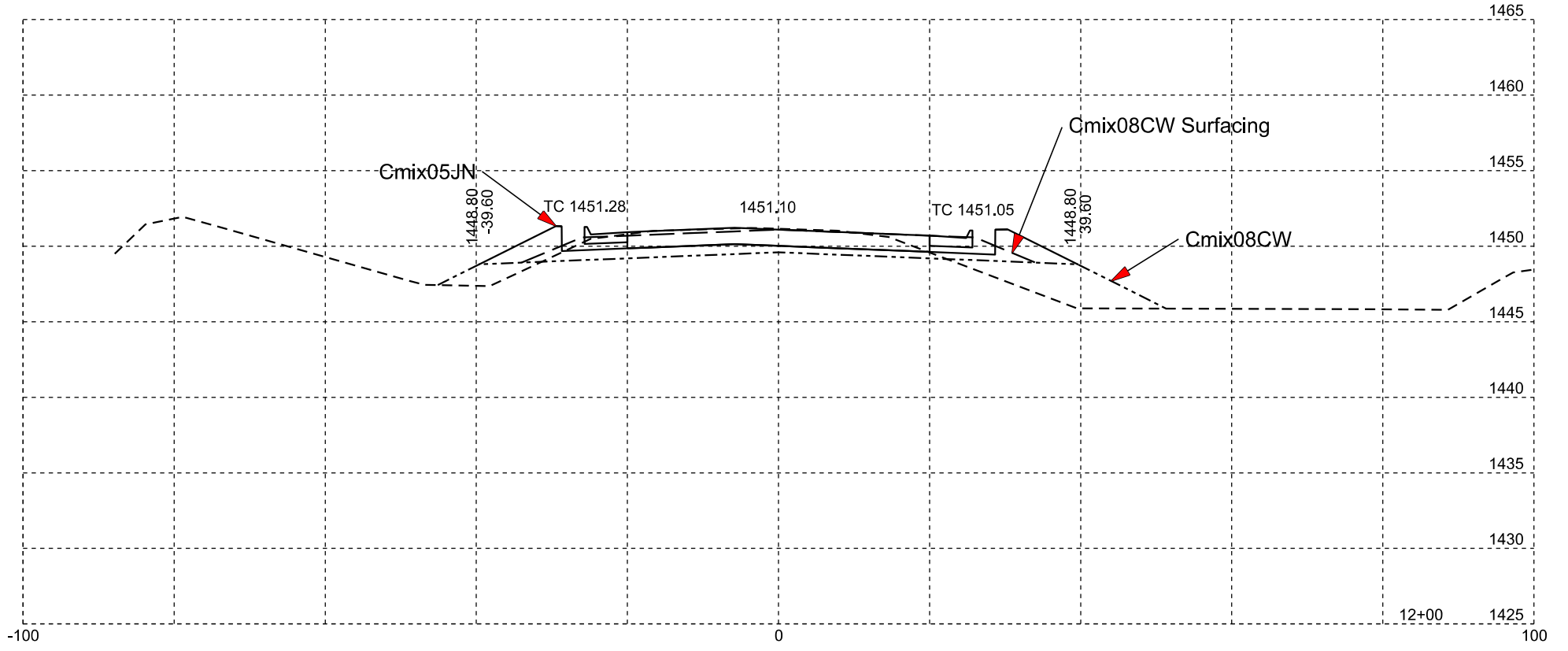
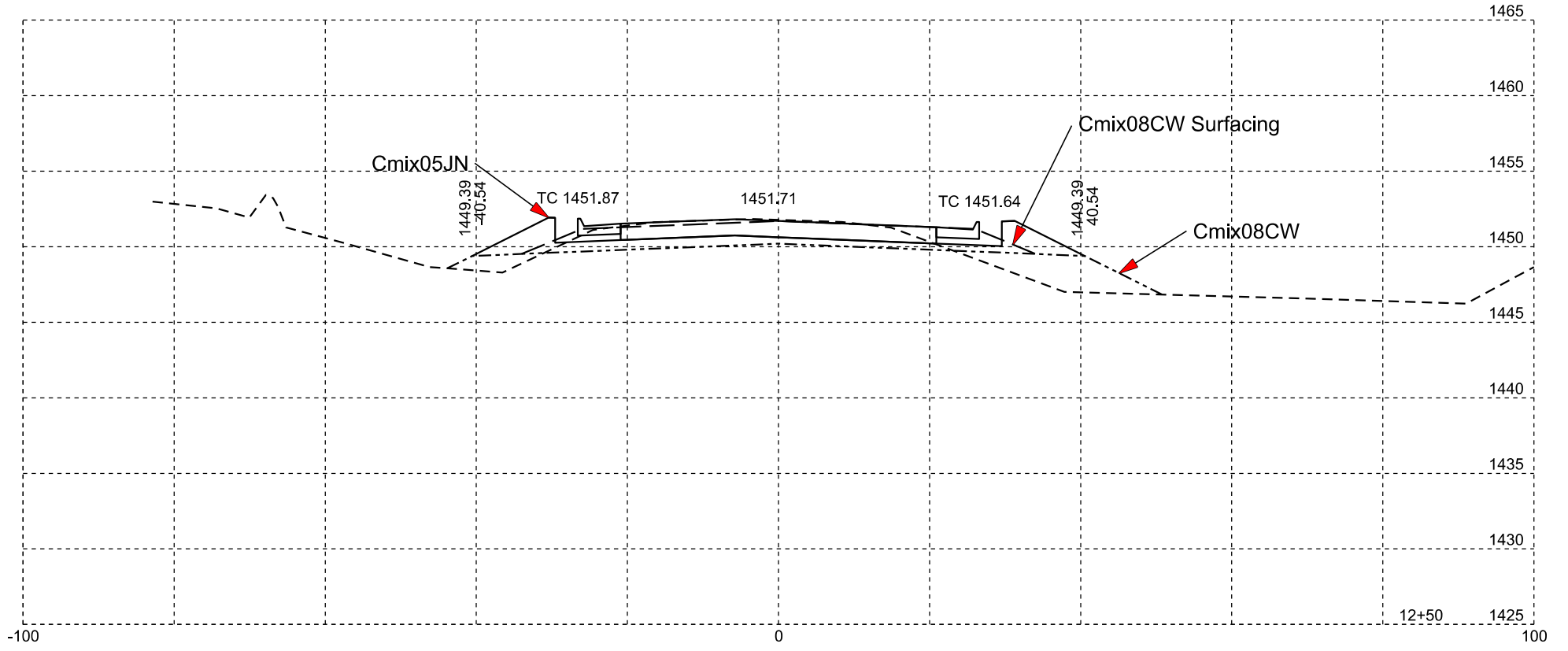
Plotting Date: 09/06/2024

| | | | |
|-----------------------------|-------------------|--------------|-----------------|
| STATE OF SOUTH DAKOTA | PROJECT | SHEET NO. | TOTAL SHEETS |
| | NH-CR 0046(69)288 | X131 | X139 |



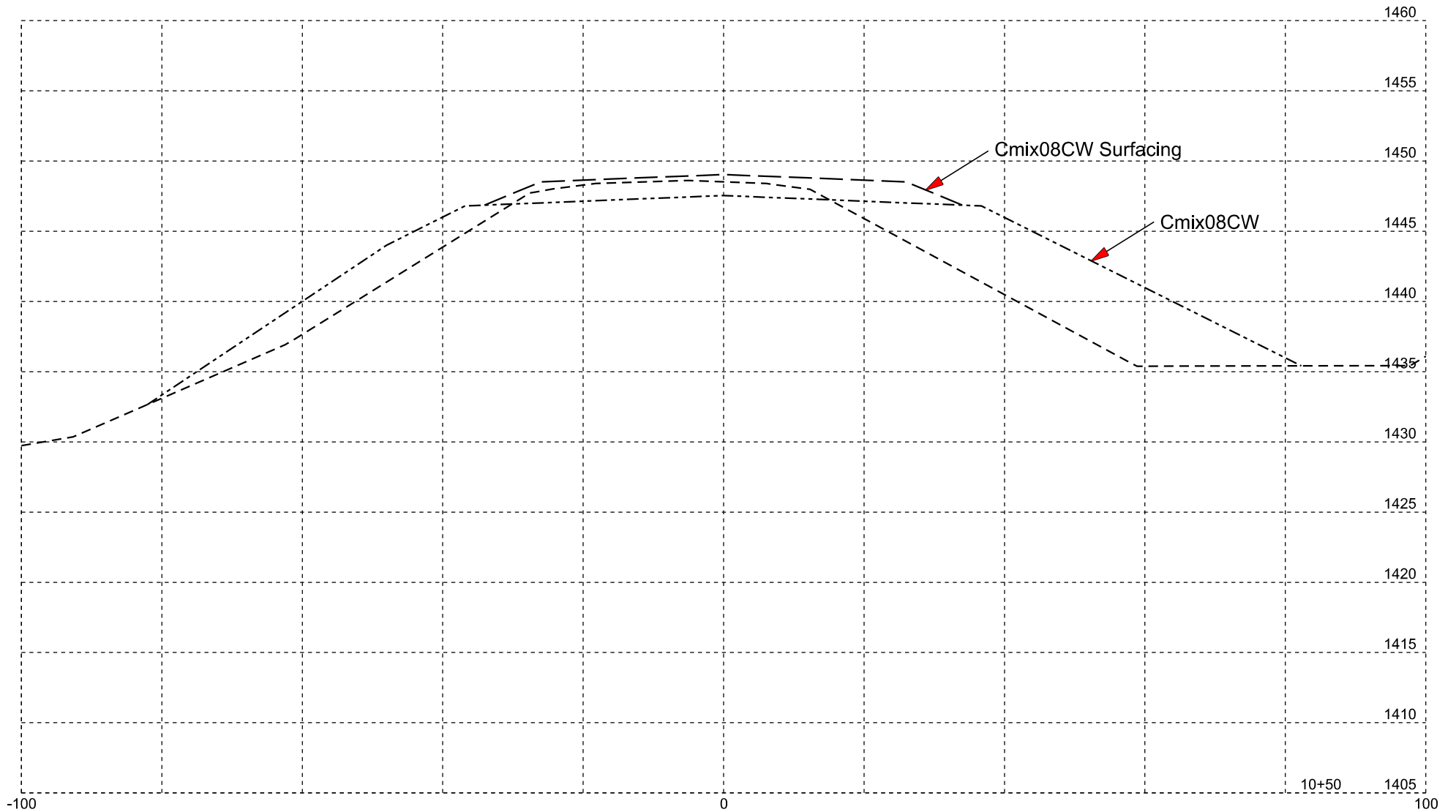
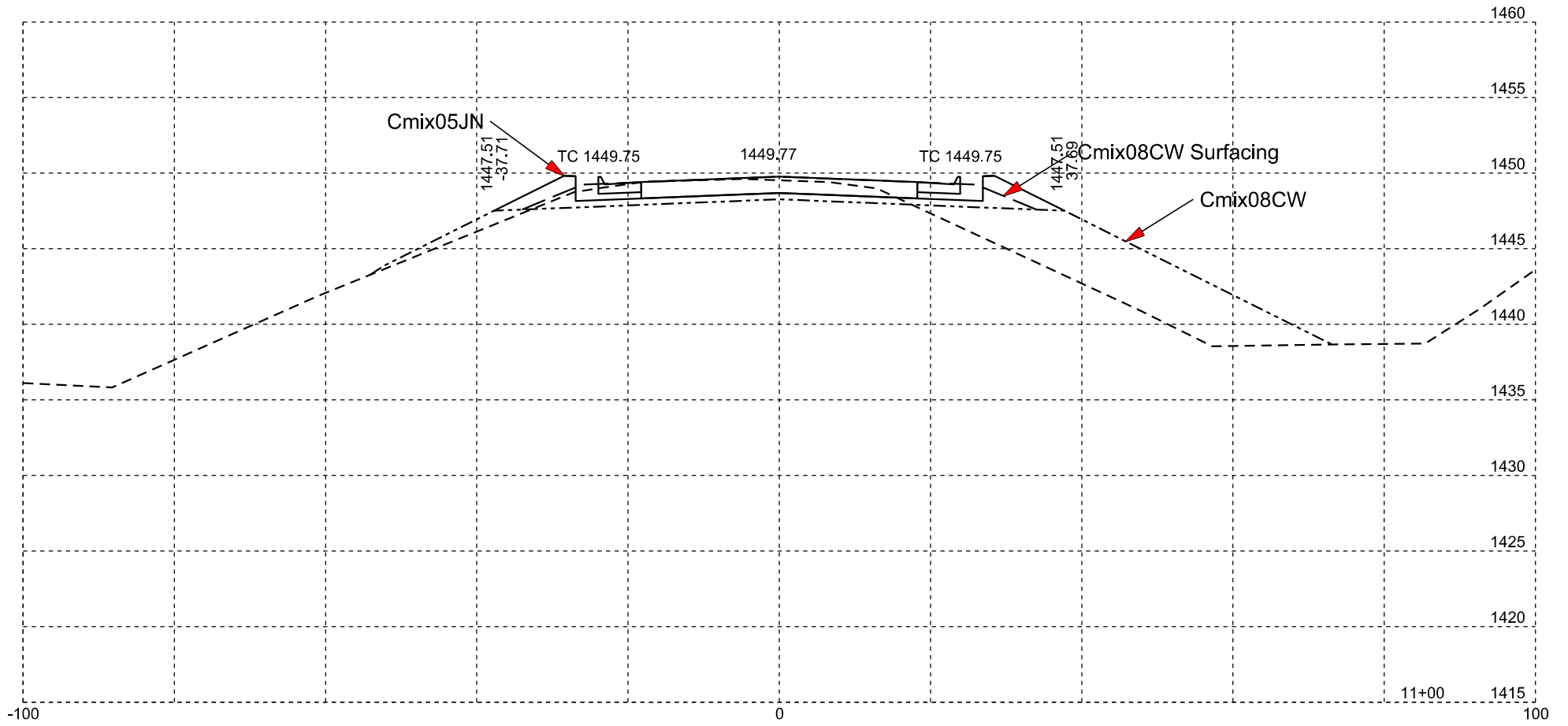
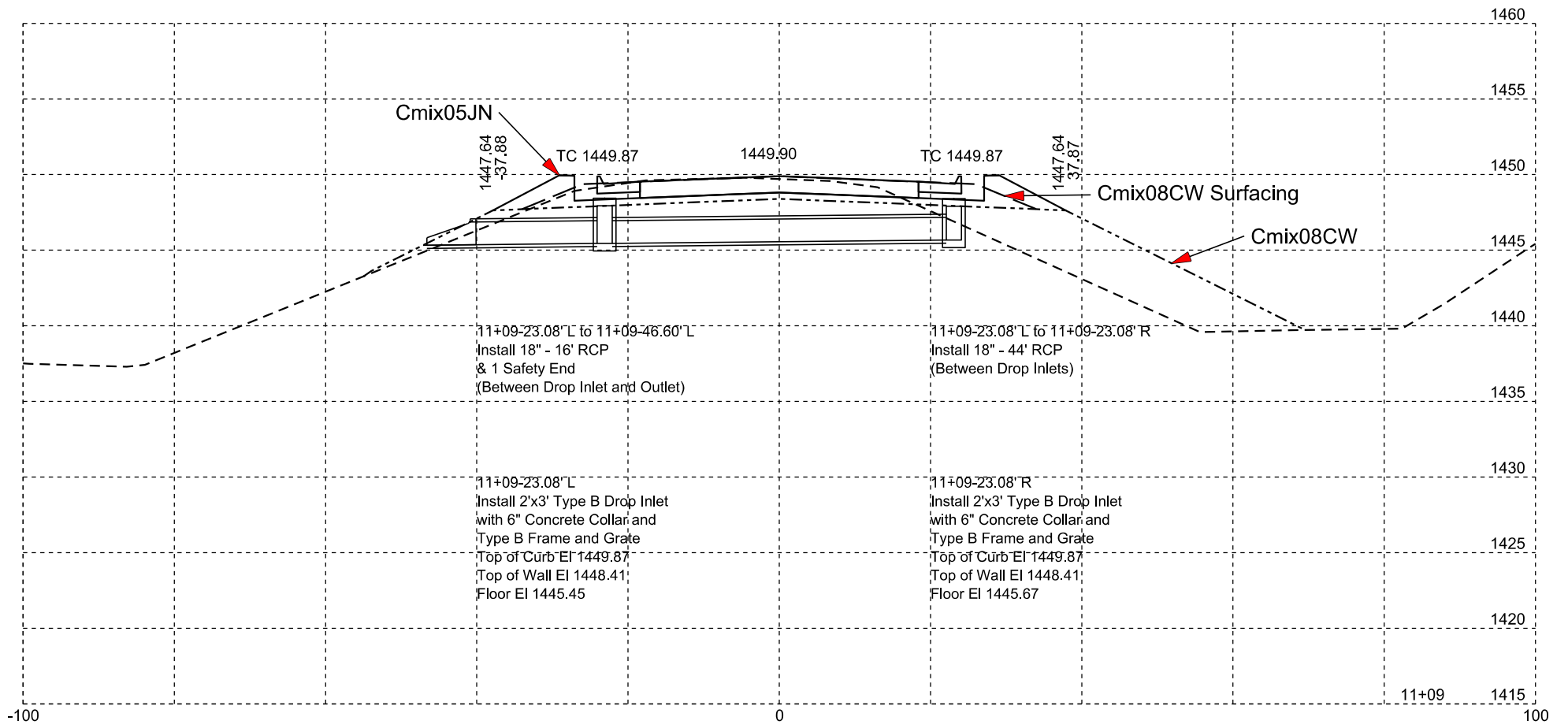
Plotting Date: 09/06/2024

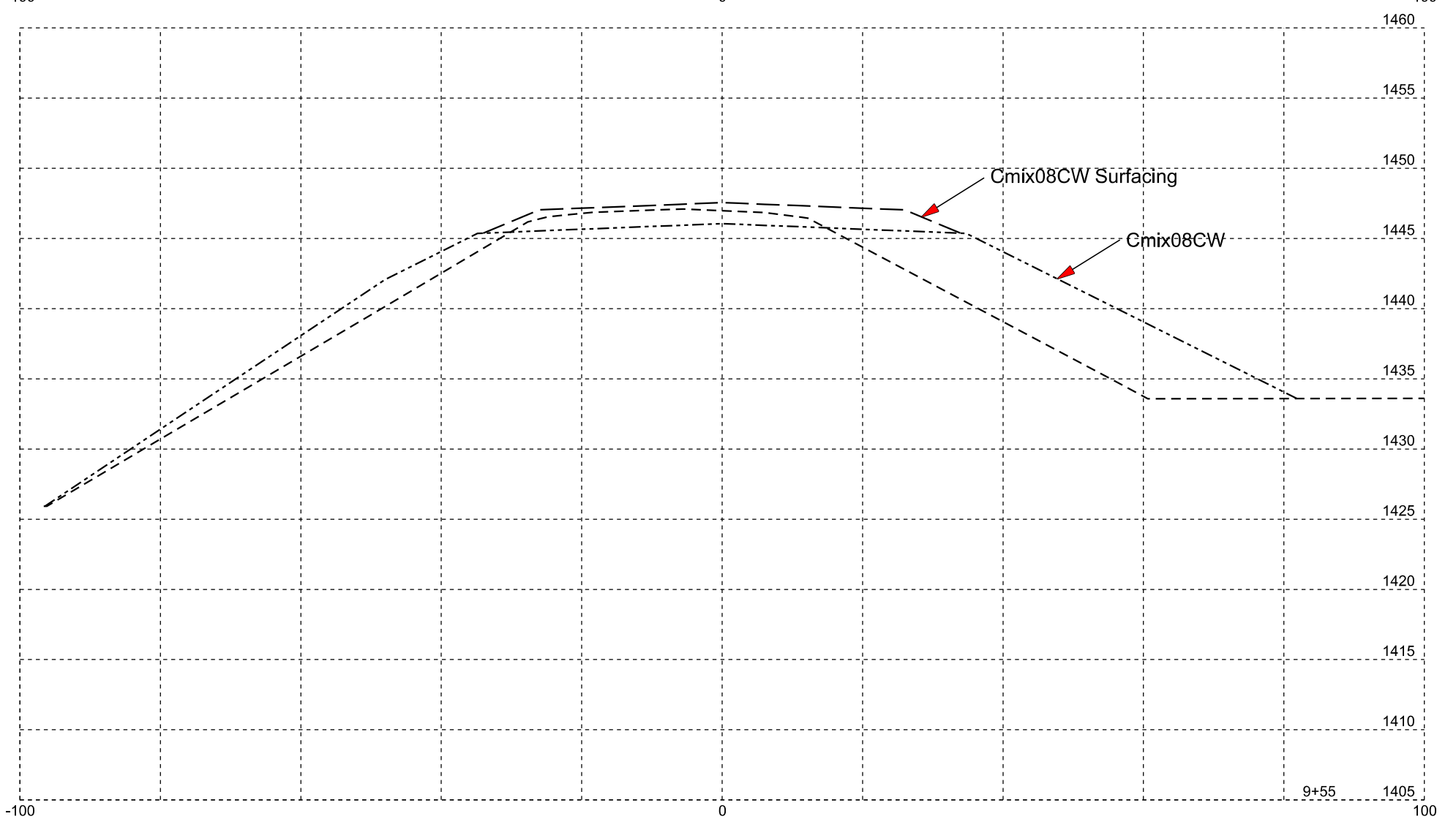
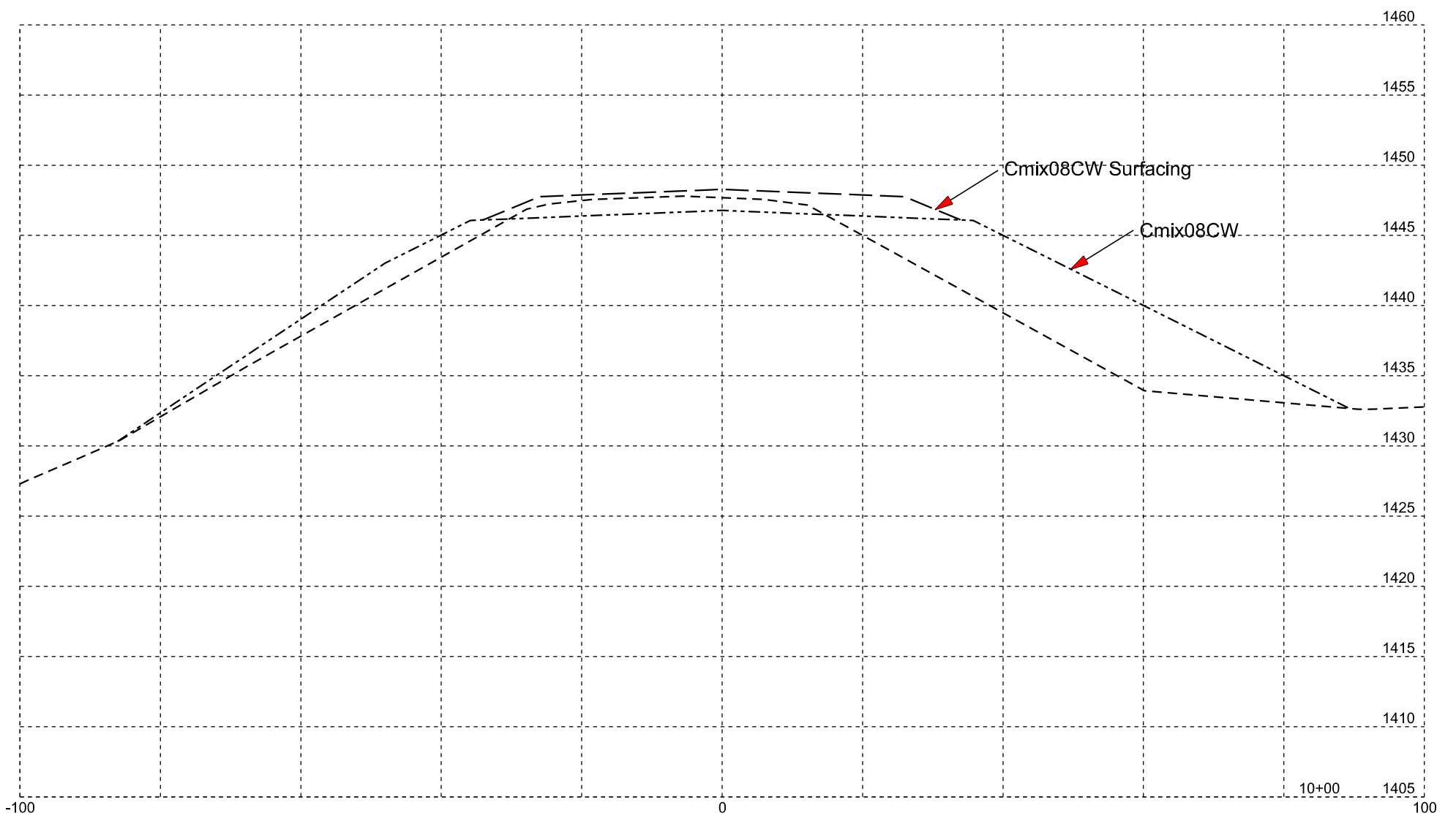
| | | | |
|-----------------------------|-------------------|--------------|-----------------|
| STATE OF SOUTH DAKOTA | PROJECT | SHEET NO. | TOTAL SHEETS |
| | NH-CR 0046(69)288 | X132 | X139 |



Plotting Date: 09/06/2024

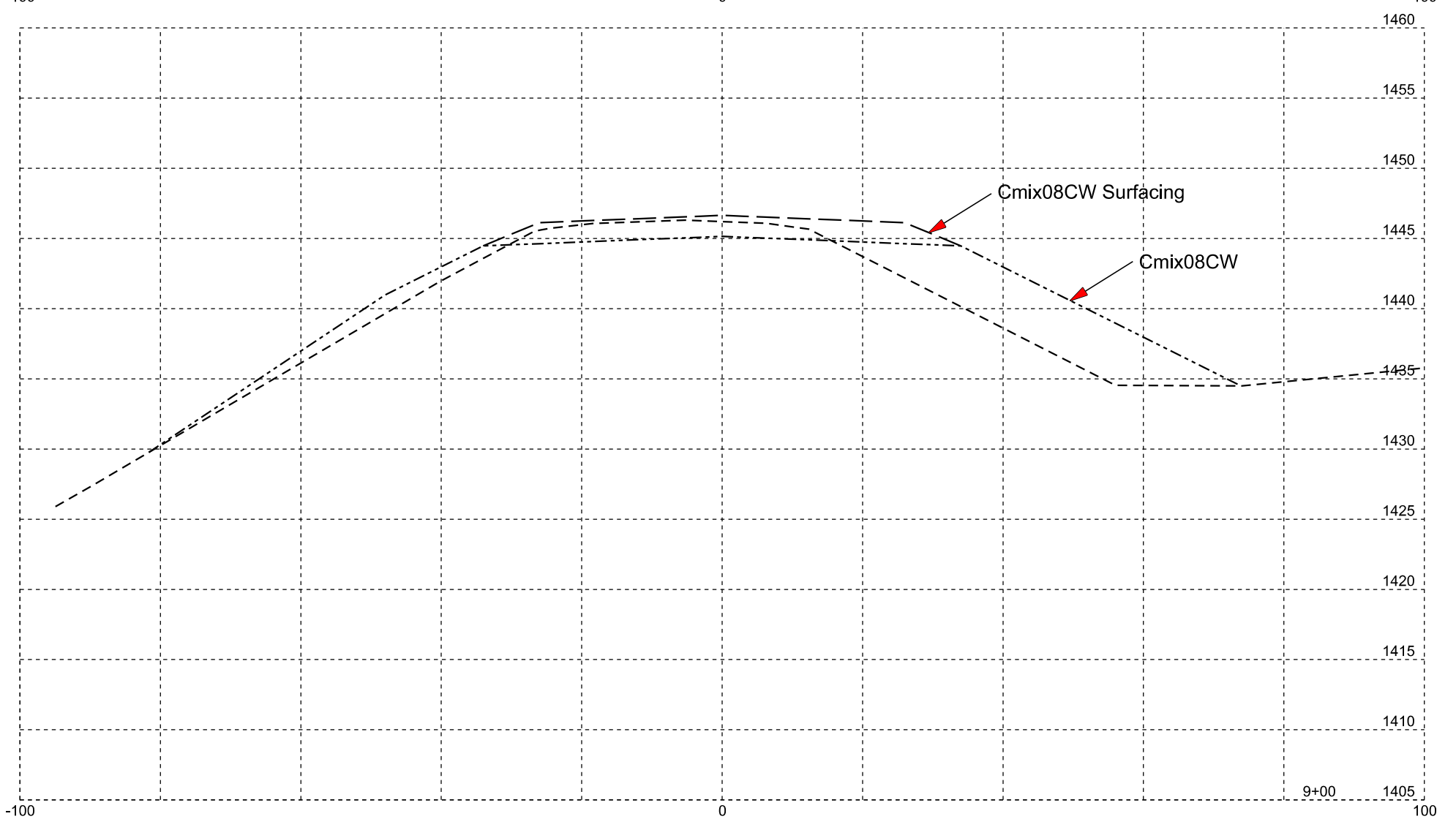
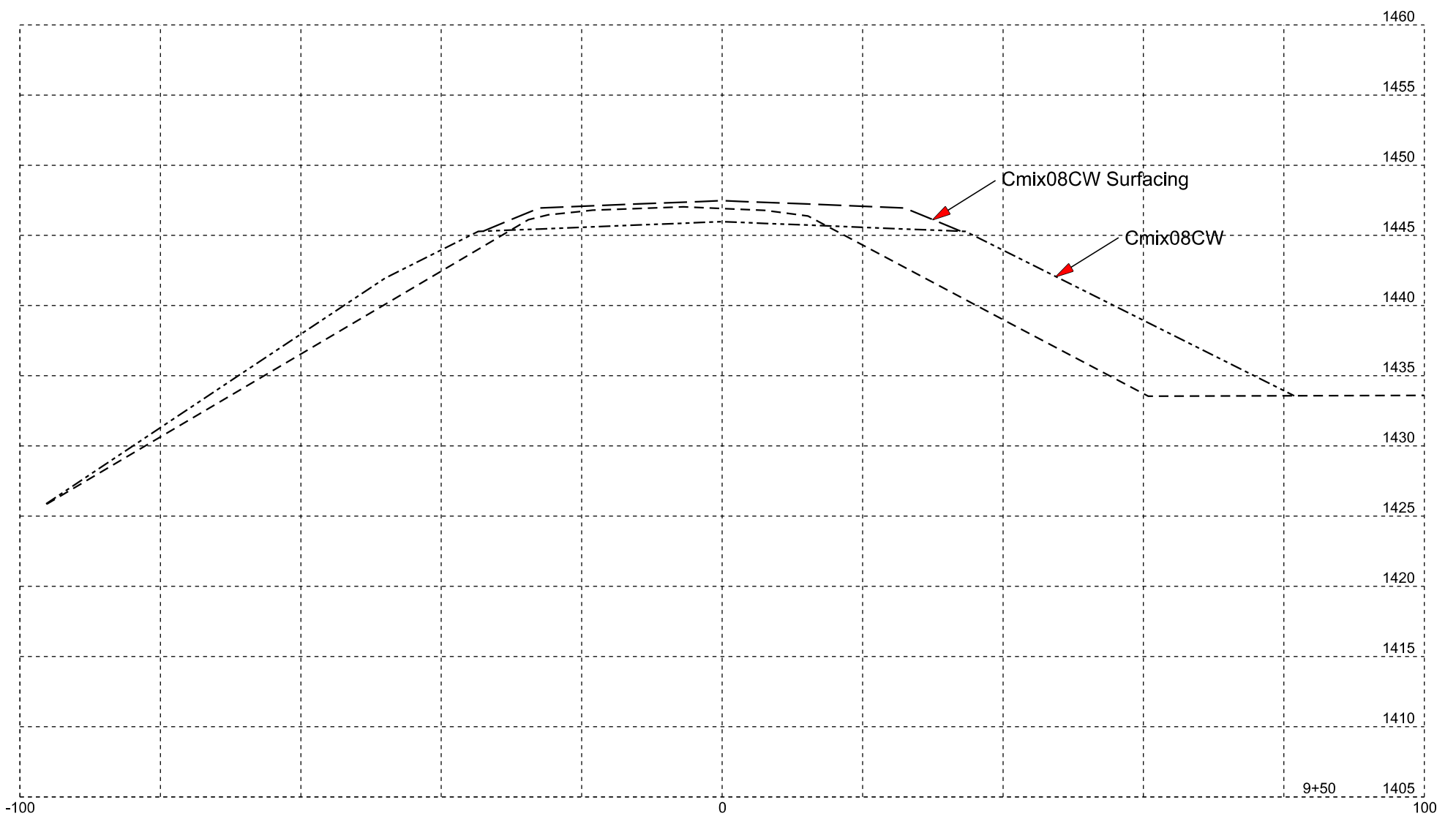
| | | | |
|-----------------------|-------------------|-----------|--------------|
| STATE OF SOUTH DAKOTA | PROJECT | SHEET NO. | TOTAL SHEETS |
| | NH-CR 0046(69)288 | X133 | X139 |





Plotting Date: 09/06/2024

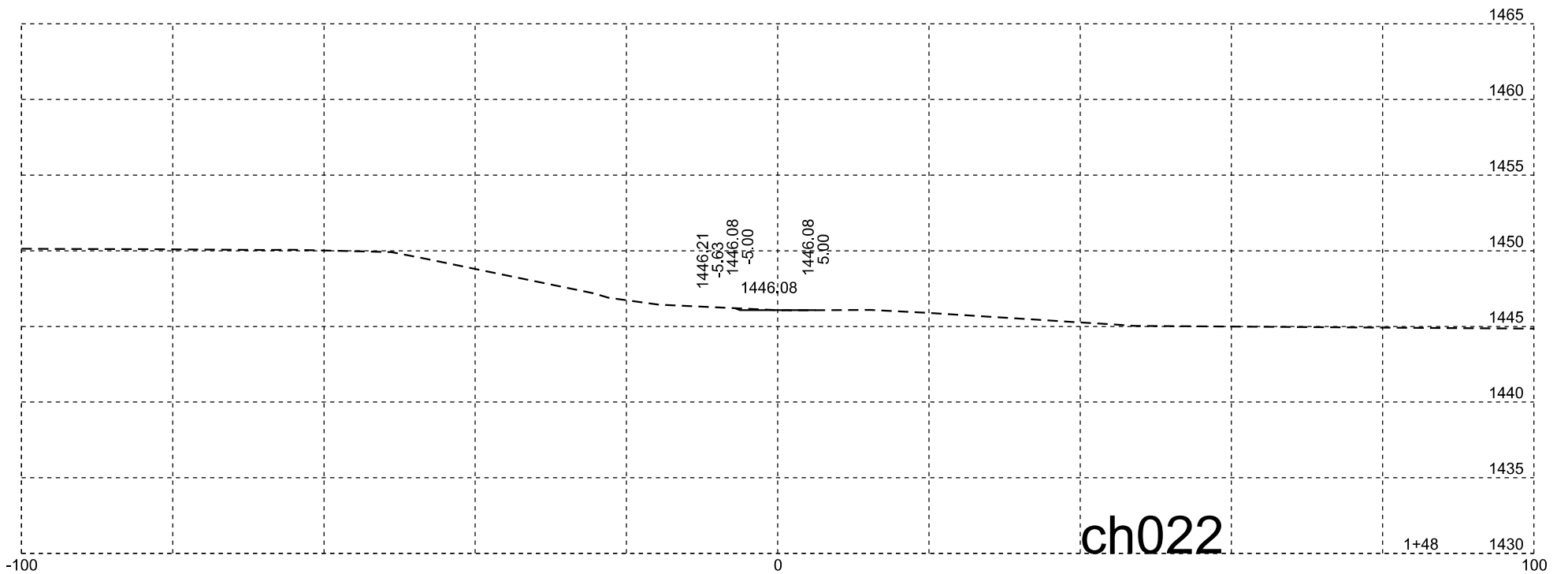
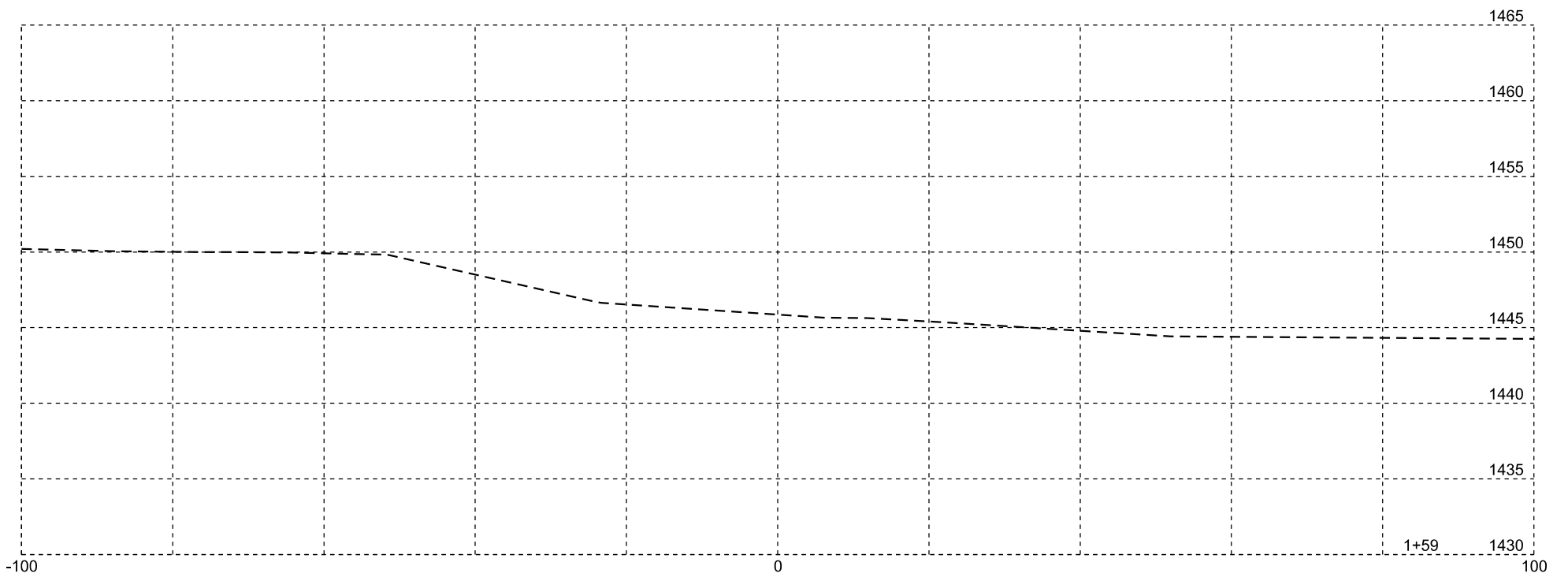
| | | | |
|-----------------------------|-------------------|--------------|-----------------|
| STATE OF SOUTH DAKOTA | PROJECT | SHEET NO. | TOTAL SHEETS |
| | NH-CR 0046(69)288 | X135 | X139 |



Plotting Date: 09/06/2024

| | | | |
|-----------------------------|-------------------|--------------|-----------------|
| STATE OF SOUTH DAKOTA | PROJECT | SHEET NO. | TOTAL SHEETS |
| | NH-CR 0046(69)288 | X136 | X139 |

ch022

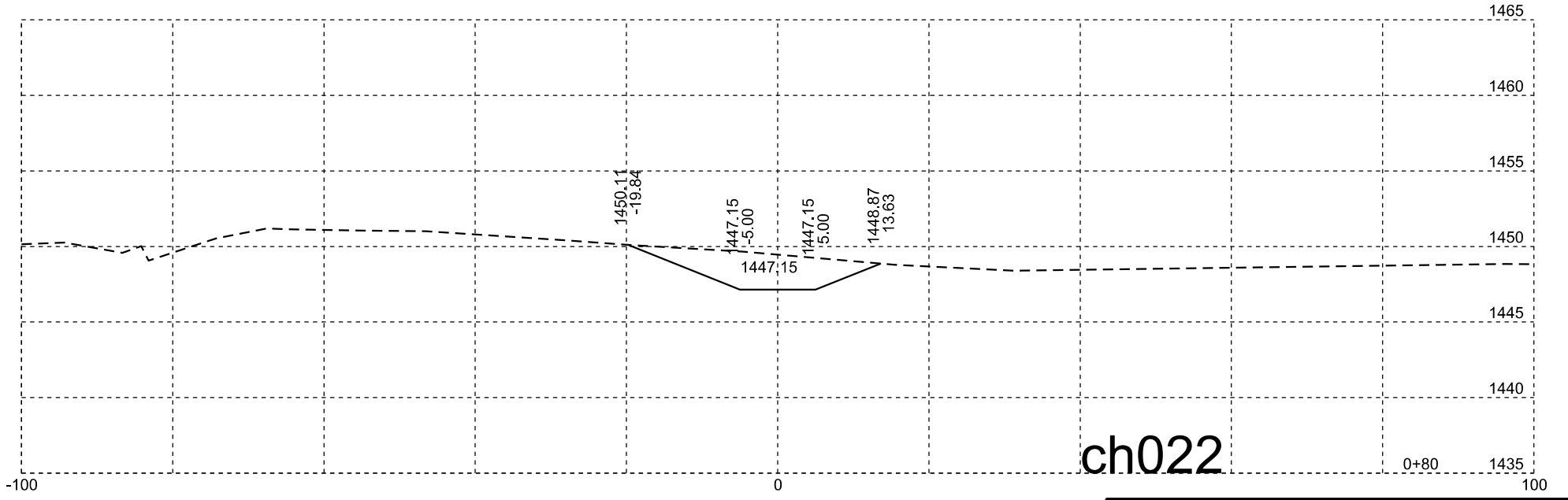
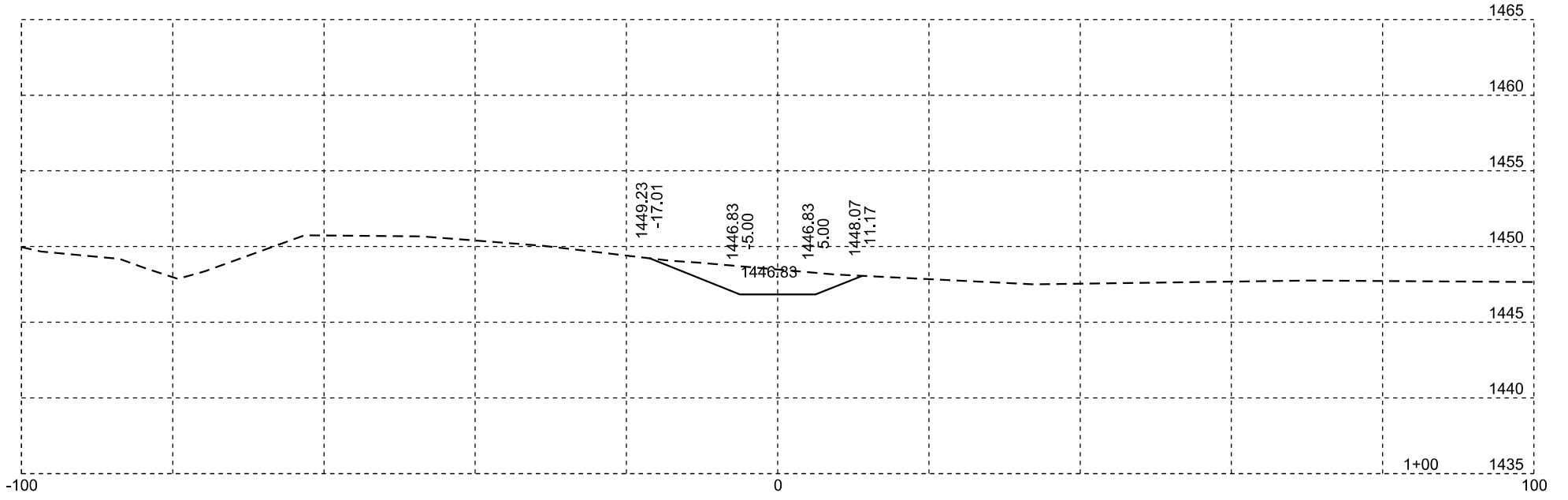
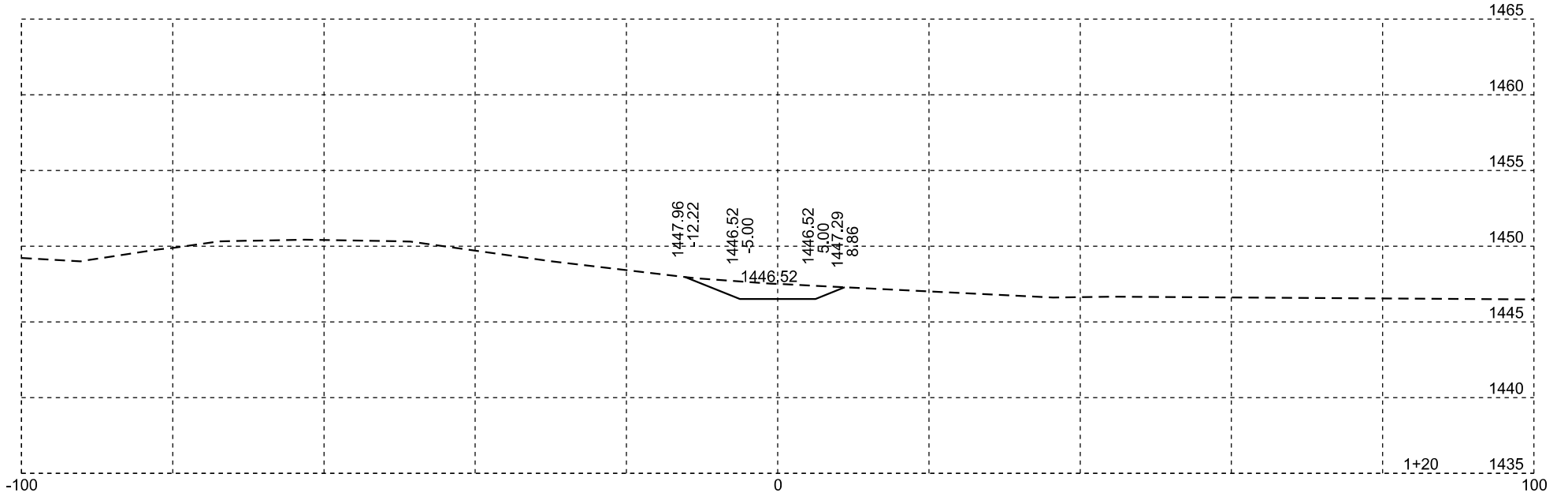
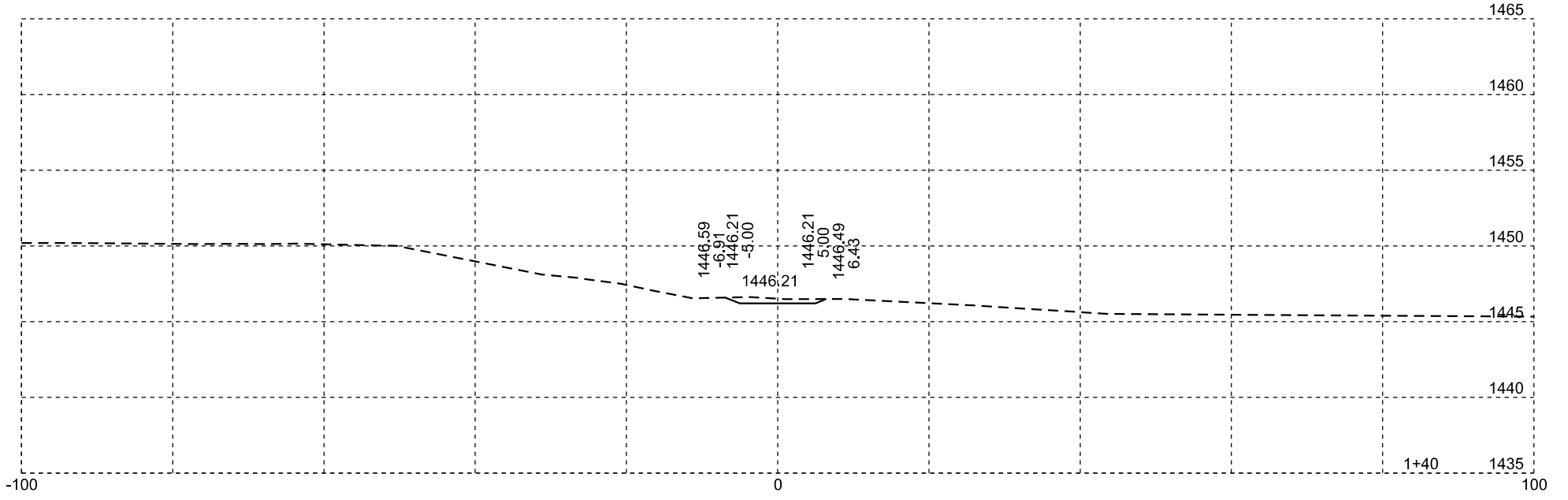


ch022

Plotting Date: 09/06/2024

| STATE OF SOUTH DAKOTA | PROJECT | SHEET NO. | TOTAL SHEETS |
|-----------------------|-------------------|-----------|--------------|
| | NH-CR 0046(69)288 | X137 | X139 |

ch022

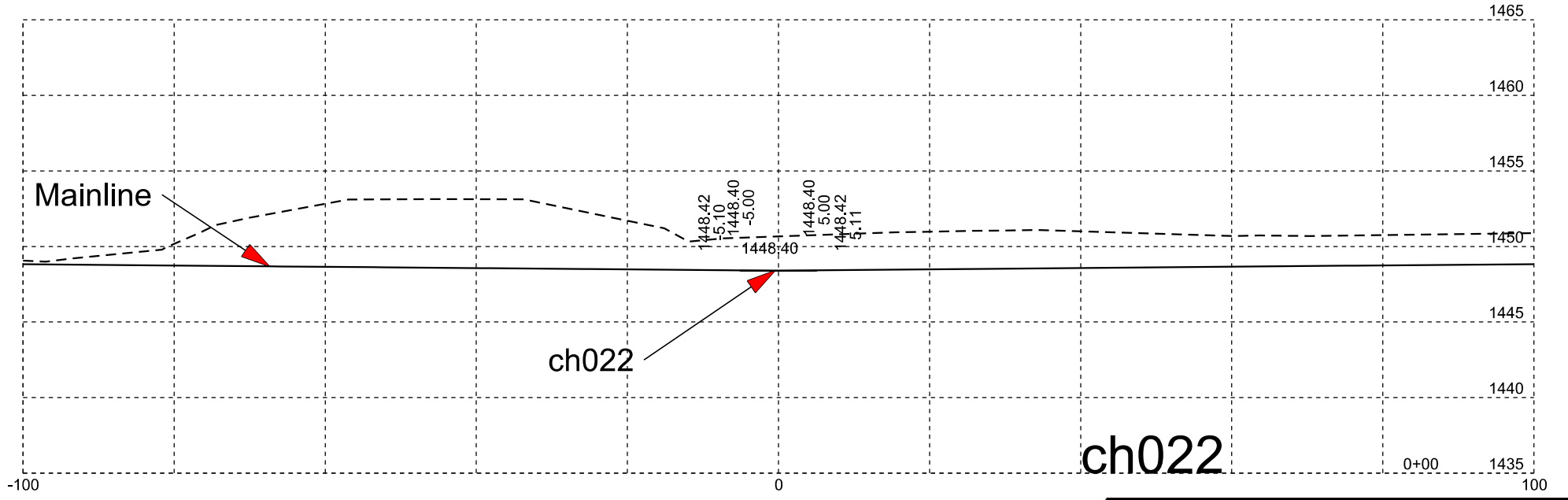
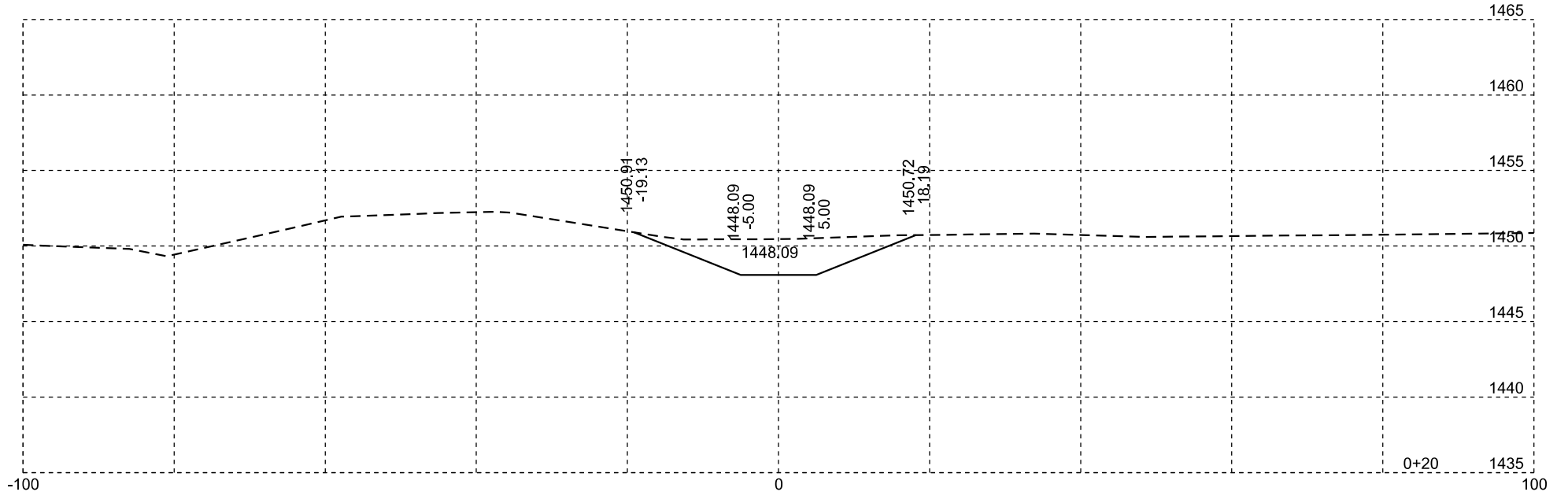
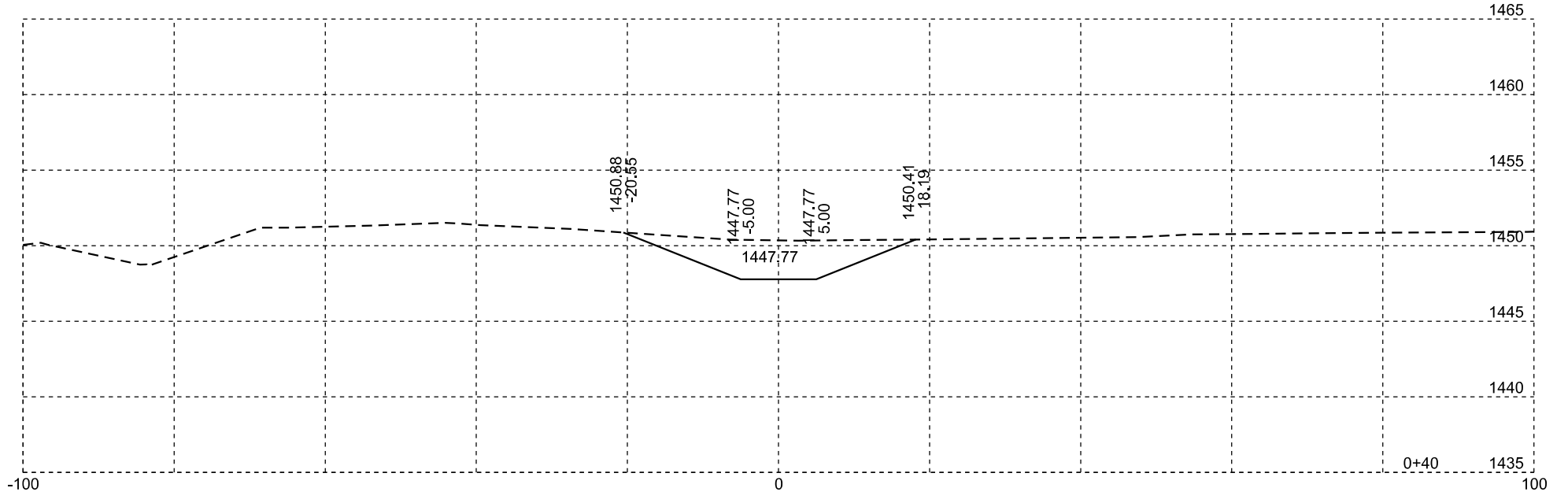
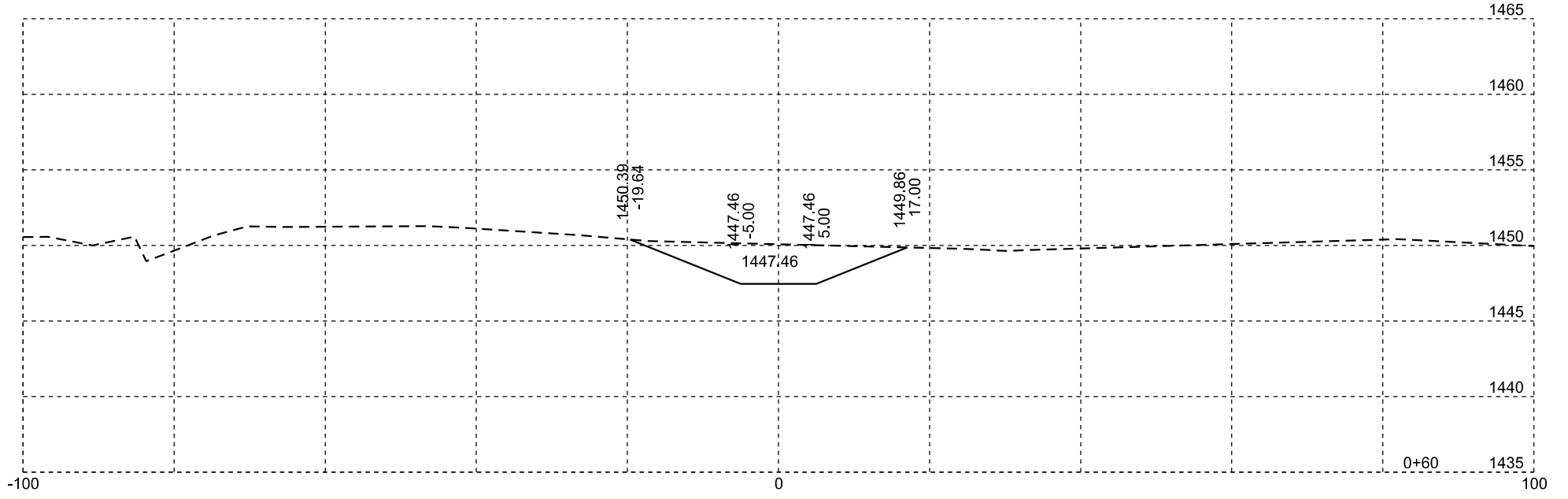


ch022

Plotting Date: 09/06/2024

| STATE OF SOUTH DAKOTA | PROJECT | SHEET NO. | TOTAL SHEETS |
|-----------------------------|-------------------|--------------|-----------------|
| | NH-CR 0046(69)288 | X138 | X139 |

ch022



Mainline

ch022

ch022

Plotting Date: 09/06/2024

| | | | |
|-----------------------------|-------------------|--------------|-----------------|
| STATE OF SOUTH DAKOTA | PROJECT | SHEET NO. | TOTAL SHEETS |
| | NH-CR 0046(69)288 | X139 | X139 |