

SECTION Z: PIPE SECTIONS

FOR BIDDING PURPOSES ONLY

KLI STATE OF SOUTH DAKOTA	PROJECT	SHEET	TOTAL SHEETS
	NH 0012(230)171...+	Z1	Z7

Plotting Date: 4/29/2024

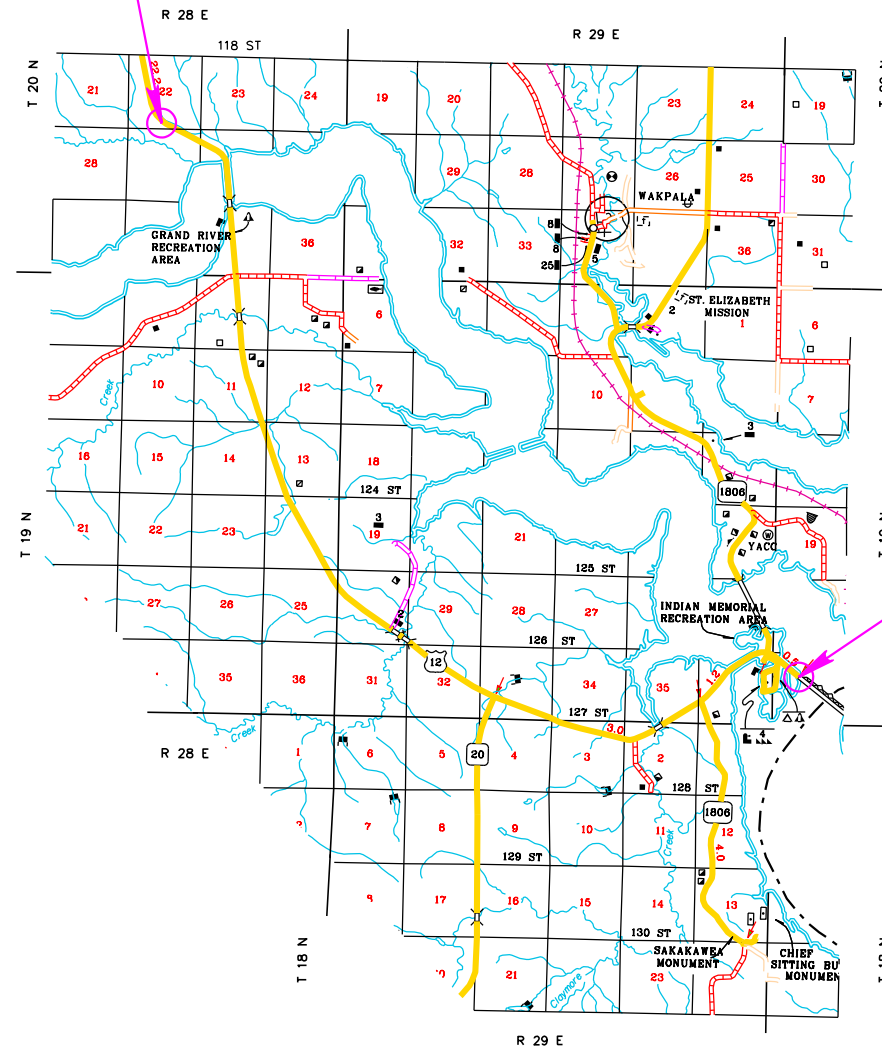
INDEX OF SHEETS

- Z1-Z3 General Layout with Index
- Z4-Z7 Mainline Pipe Sections
- Z7 Approach Pipe Section



BEGIN NH 0012(230)171
US 12 - 05TY
STATION 176+72.2

END NH 0012(230)171
US 12 - 05TY
STATION b 268+01.75



Plot Scale - 1:200

Plotted From - evanwolf

File - ...Section Z\WiteZ_05TY.dgn

SECTION Z: PIPE SECTIONS

FOR BIDDING PURPOSES ONLY

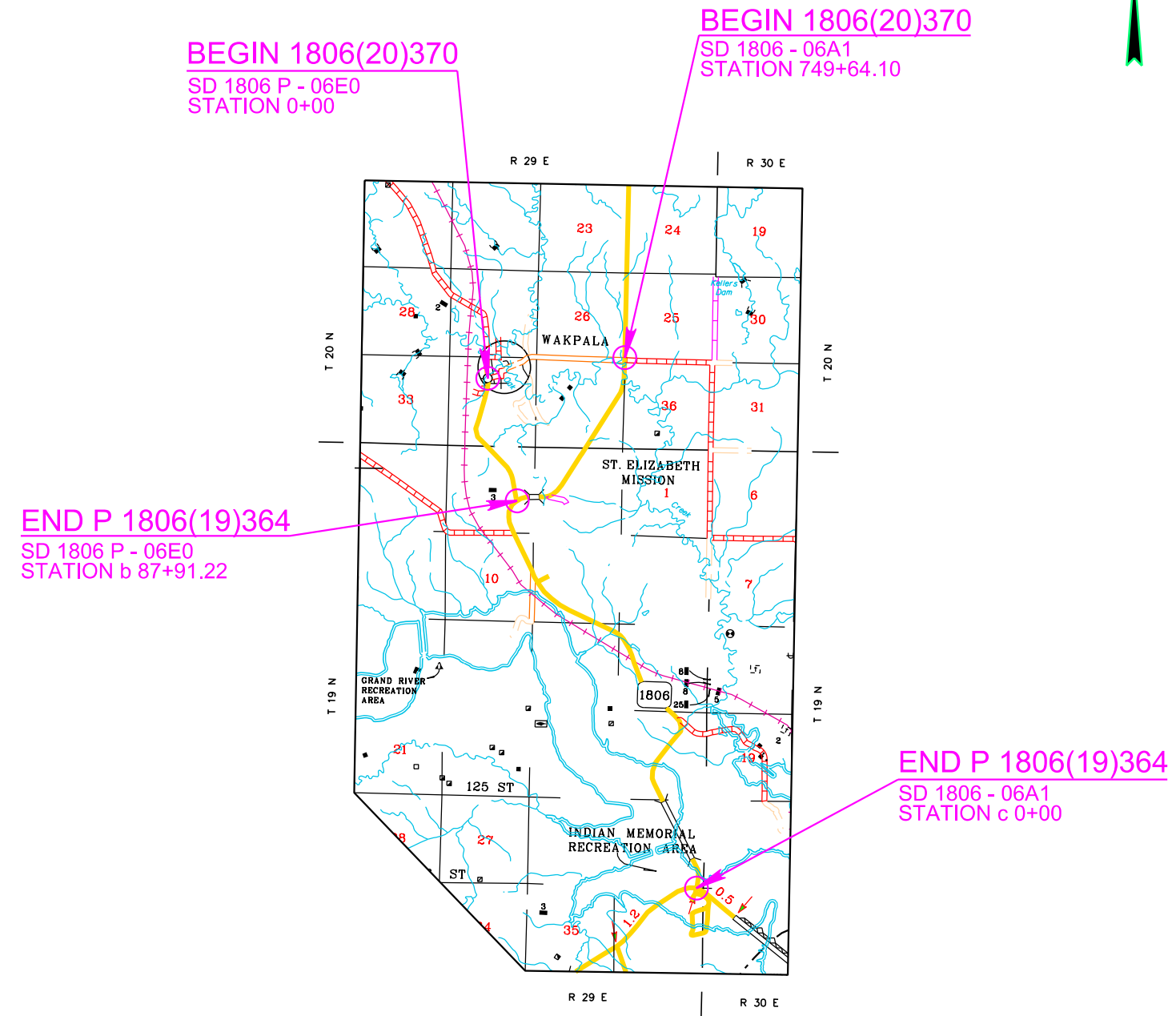
KLJ STATE OF SOUTH DAKOTA	PROJECT	SHEET	TOTAL SHEETS
	NH 0012(230)171...+	Z2	Z7

Plotting Date: 4/29/2024

Plot Scale - 1:200


Plotted From - evanwolf

File - ...Section Z\WiteZ_06EO_06A1.dgn



SECTION Z: PIPE SECTIONS

FOR BIDDING PURPOSES ONLY

 STATE OF SOUTH DAKOTA	PROJECT	SHEET	TOTAL SHEETS
	NH 0012(230)171...+	Z3	X7
Plotting Date: 6/21/2024			

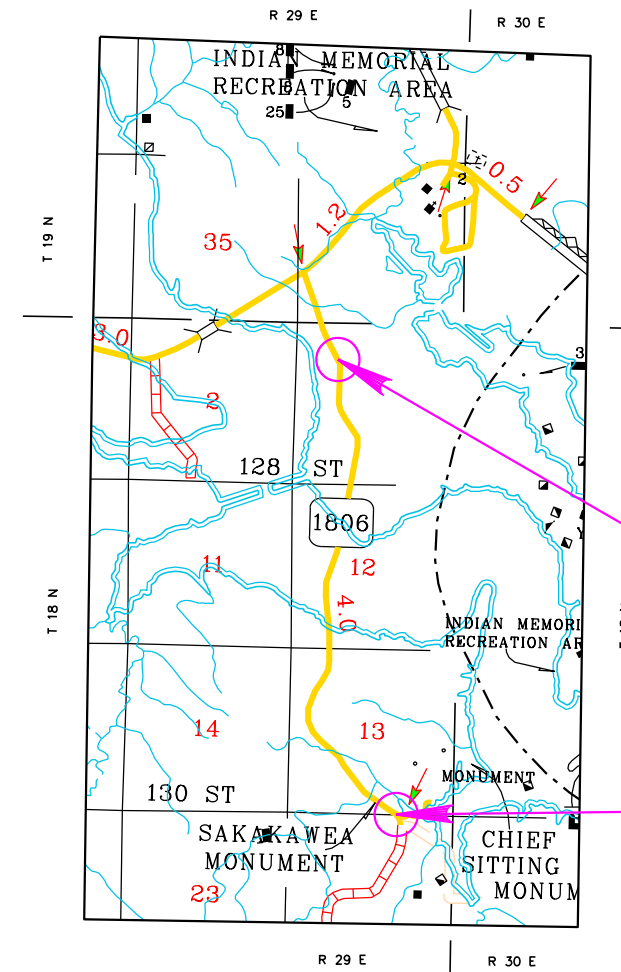
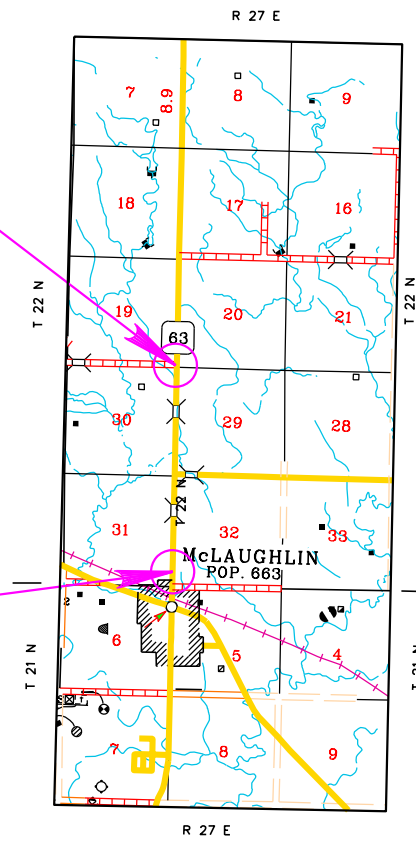
Plot Scale - 1:200

Plotted From - evanwolf



END P 0063(59)252
SD 63 - 07CD
STATION 390+50.00

BEGIN P 0063(59)252
SD 63 - 07CD
STATION 288+47.00



BEGIN 1806(22)359
SD 1806 - 06RC
STATION 69+11.74

END P 1806(22)359
SD 1806 - 06RC
STATION b 229+74.50



File - ...Section Z\WhiteZ_07CD_06RC.dgn

FOR BIDDING PURPOSES ONLY

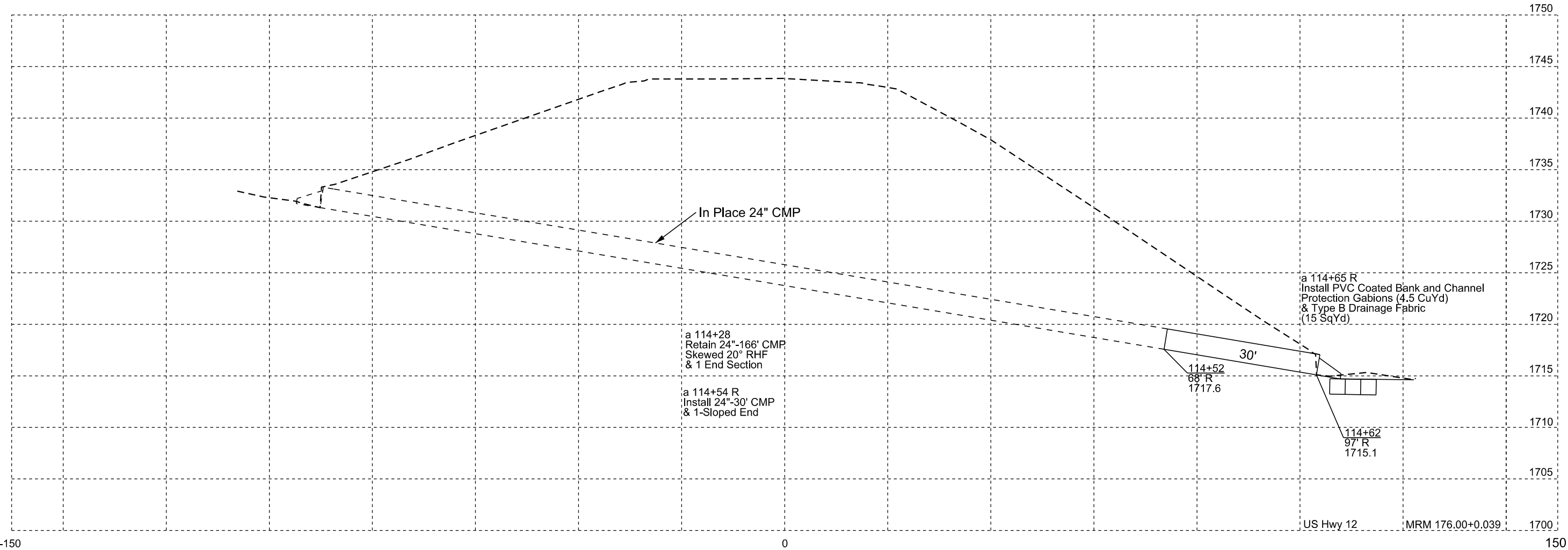
STATE OF SOUTH DAKOTA	PROJECT	SHEET	TOTAL SHEETS
	NH 0012(230)171...+	Z4	Z7

Plotting Date: 4/23/2024

Plot Scale - 1:20

Plotted From - svdnevmarczak

File - ...WorkingDrawings\p05TY.dgn

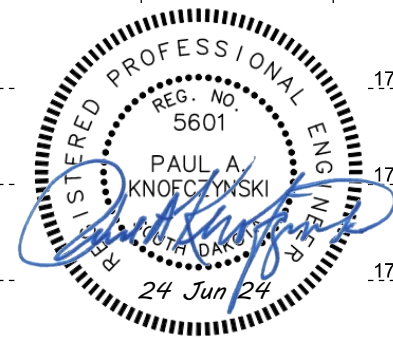
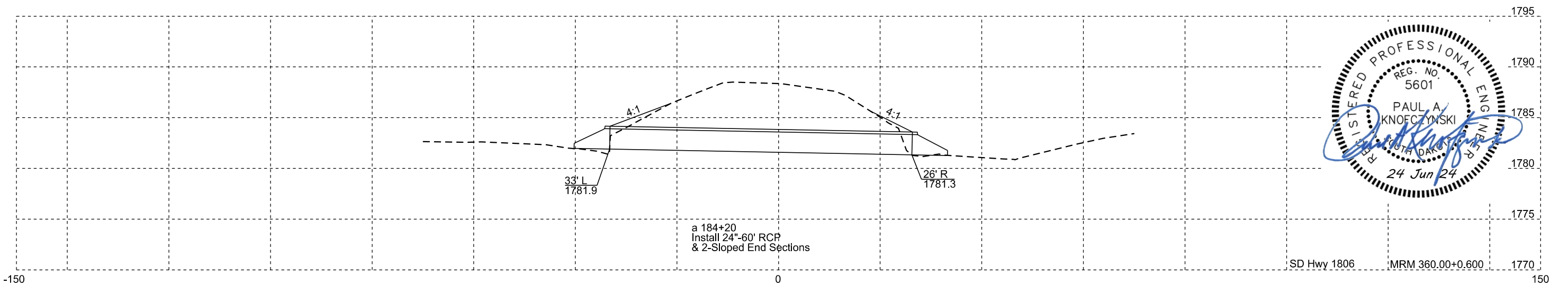
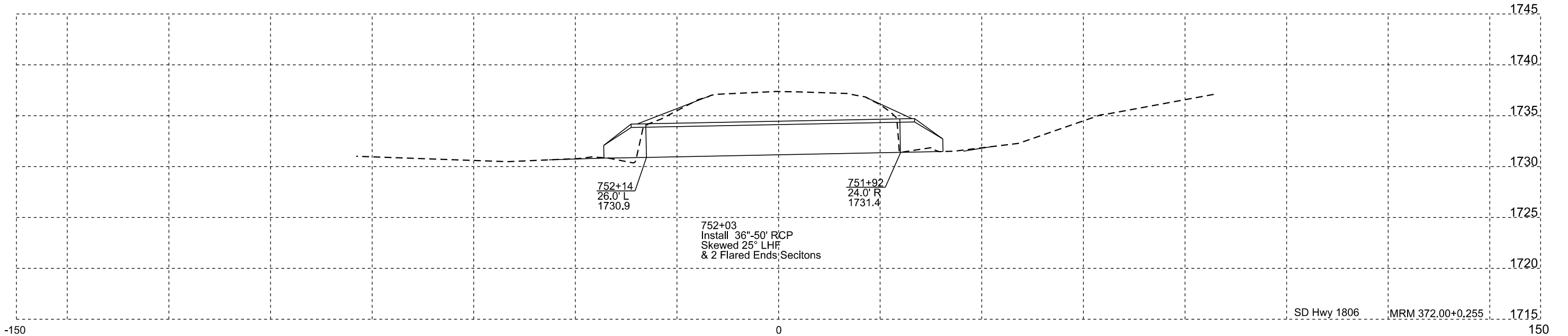
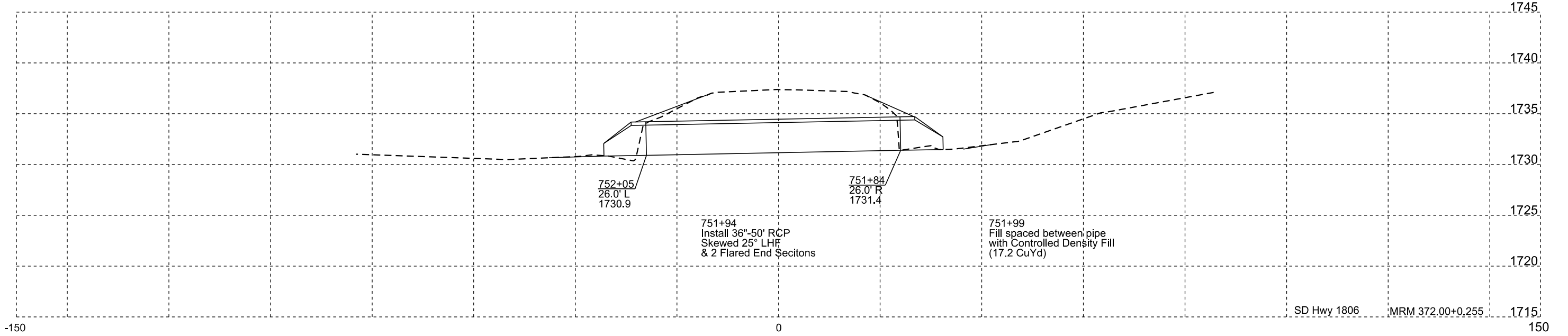


FOR BIDDING PURPOSES ONLY

STATE OF SOUTH DAKOTA	PROJECT	SHEET	TOTAL SHEETS
	NH 0012(230)171...+	Z5	Z7

Plotting Date: 4/23/2024

Plot Scale - 1:20



Plotted From - svdnevmarczak

File - ...WorkingDrawings\p05TY.dgn

FOR BIDDING PURPOSES ONLY

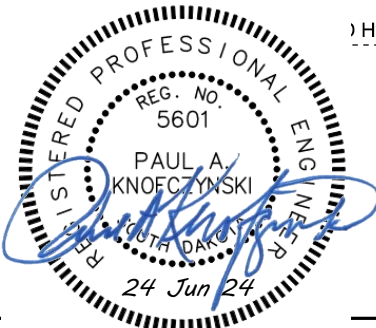
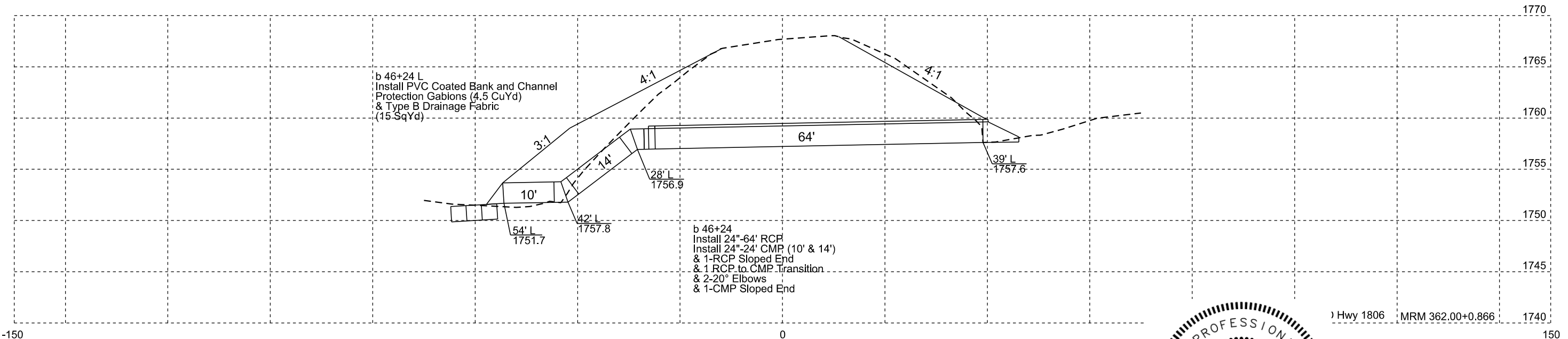
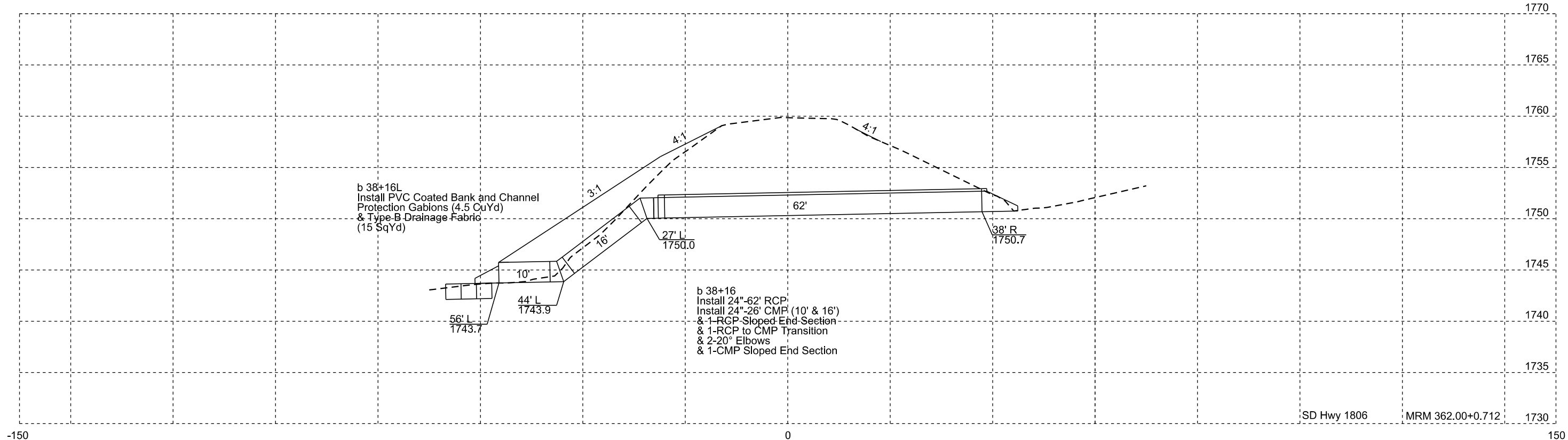
STATE OF SOUTH DAKOTA	PROJECT	SHEET	TOTAL SHEETS
	NH 0012(230)171...+	Z6	Z7

Plotting Date: 4/23/2024

Plot Scale - 1:20

Plotted From - svdnevmarczak

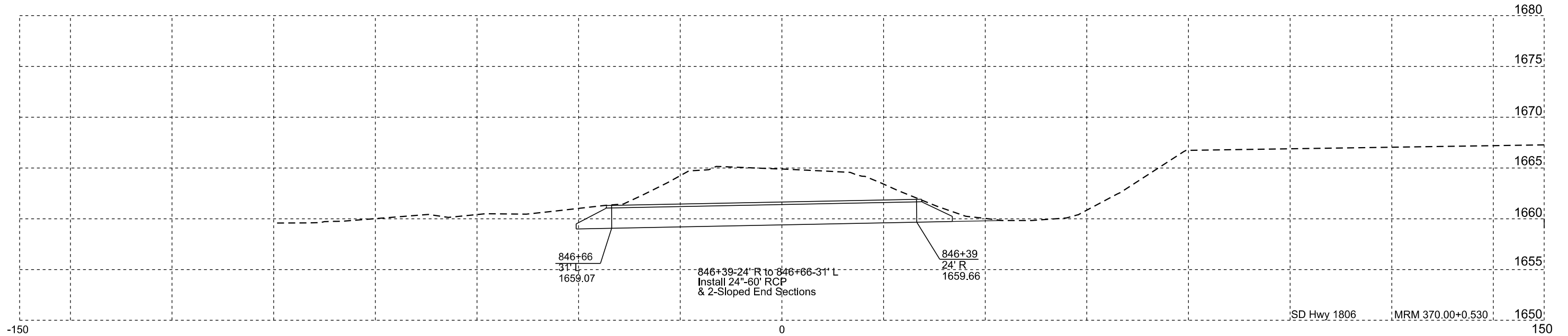
File - ...WorkingDrawings\p05TY.dgn



FOR BIDDING PURPOSES ONLY

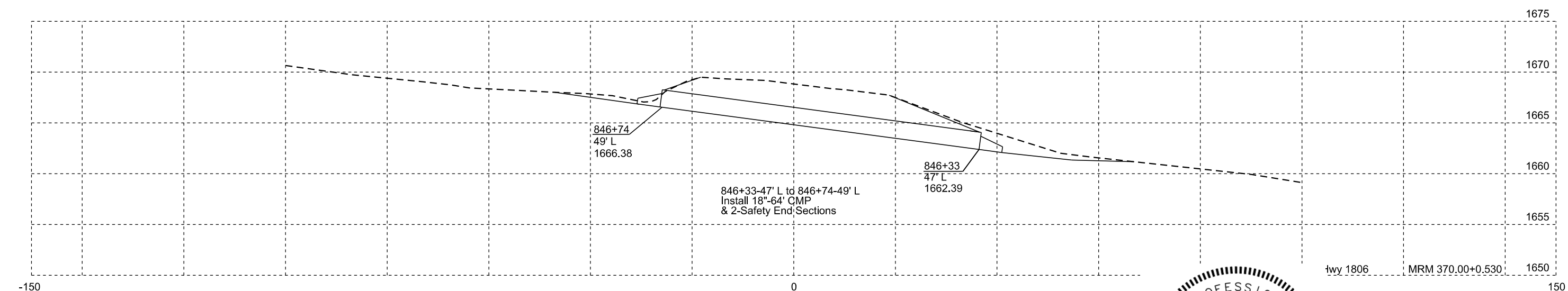
STATE OF SOUTH DAKOTA	PROJECT	SHEET	TOTAL SHEETS
	NH 0012(230)171...+	Z7	Z7
Plotting Date: 4/23/2024			

Plot Scale - 1:20



SD Hwy 1806 MRM 370.00+0.530

Plotted From - svdnevmarczak



SD Hwy 1806 MRM 370.00+0.530



File - ...WorkingDrawings\p05TY.dgn