

# SECTION X: CROSS SECTIONS

STATE OF SOUTH DAKOTA	PROJECT	SHEET	TOTAL SHEETS
	NH-CR 0034(193)402	X1	X128

Plotting Date: 08/13/2024

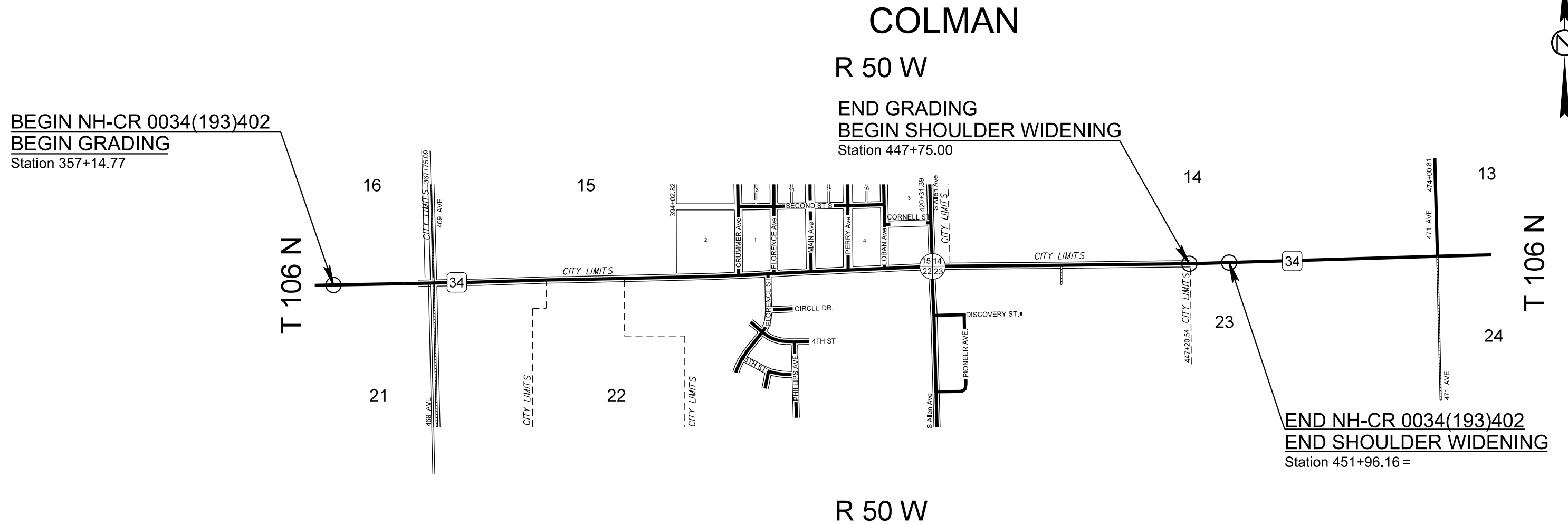
## INDEX OF SHEETS

X1 General Layout with Index  
X2-X128 Cross Sections

Plot Scale - 1:200

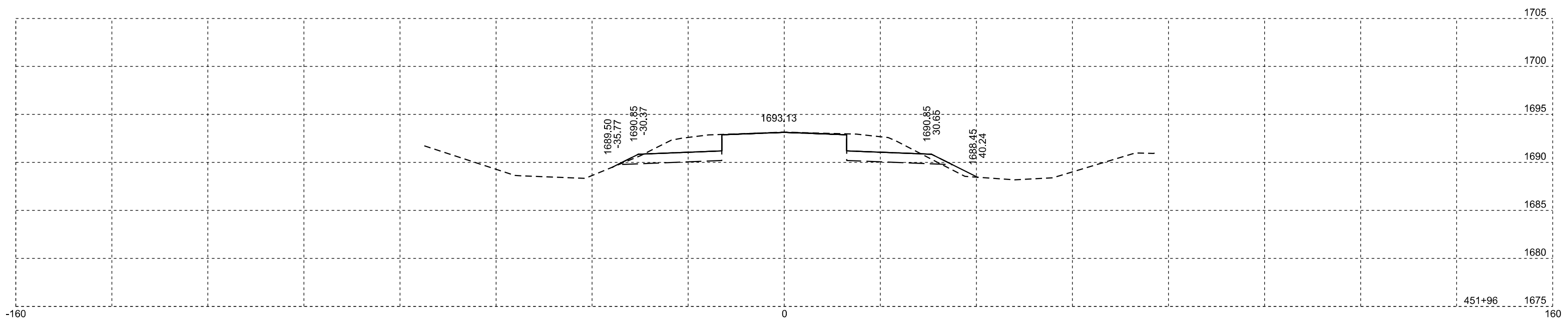
Plotted From - TRSF12144

File - U:\traj\mod\0608\TitleX.dgn

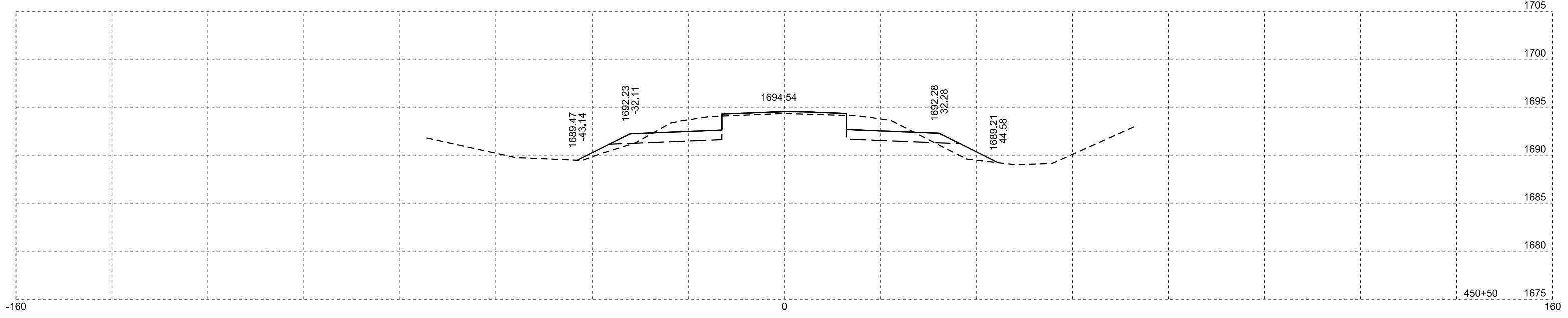
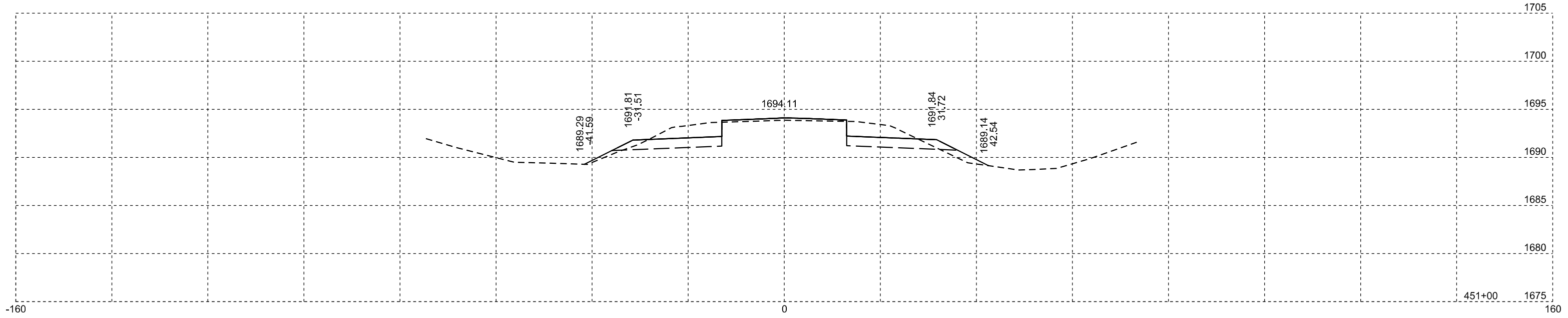
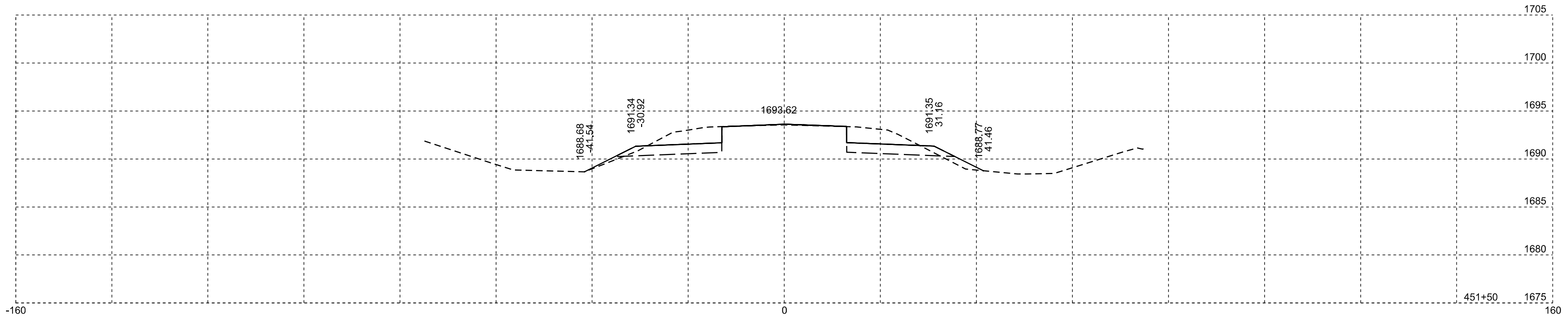


Plotting Date: 08/13/2024

STATE OF SOUTH DAKOTA	PROJECT	SHEET	TOTAL SHEETS
	NH-CR 0034(193)402	X2	X128

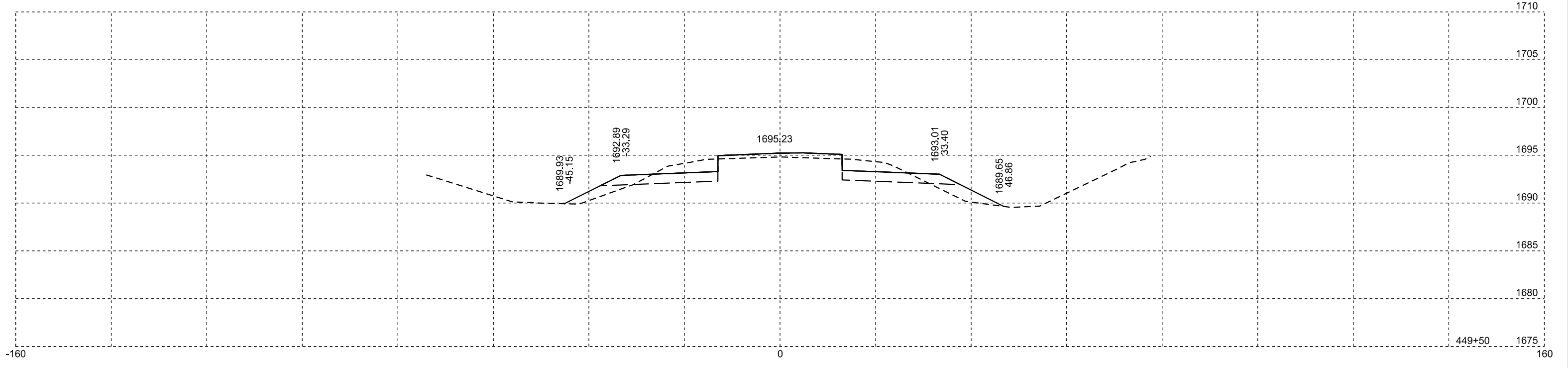
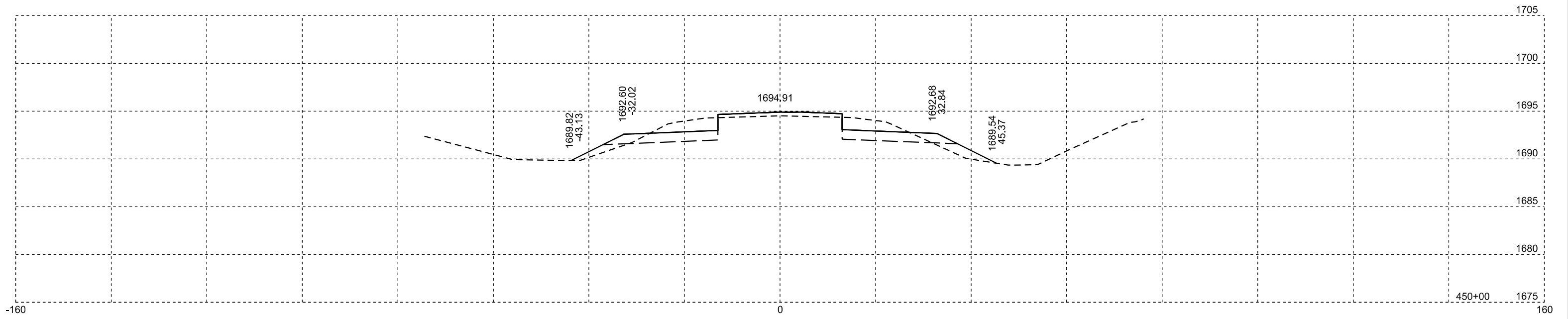


STATE OF SOUTH DAKOTA	PROJECT	SHEET	TOTAL SHEETS
	NH-CR 0034(193)402	X3	X128



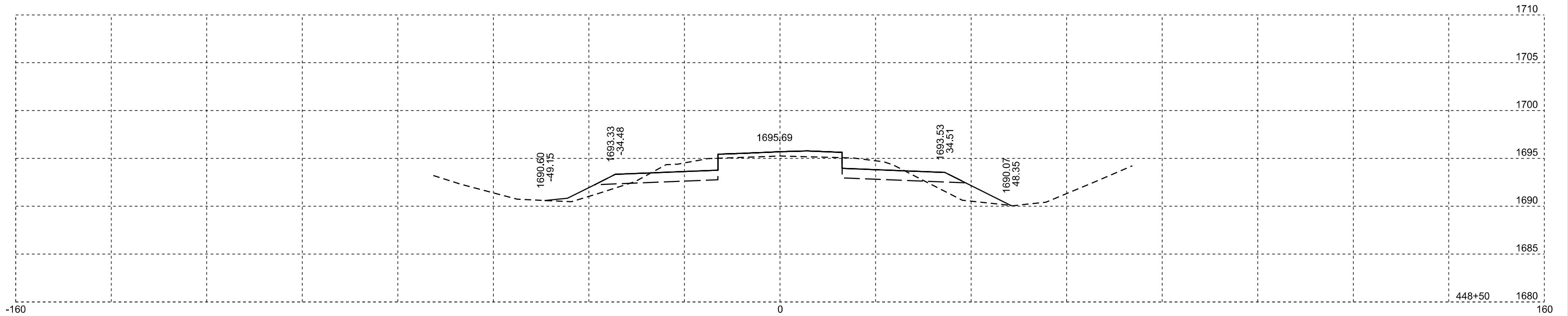
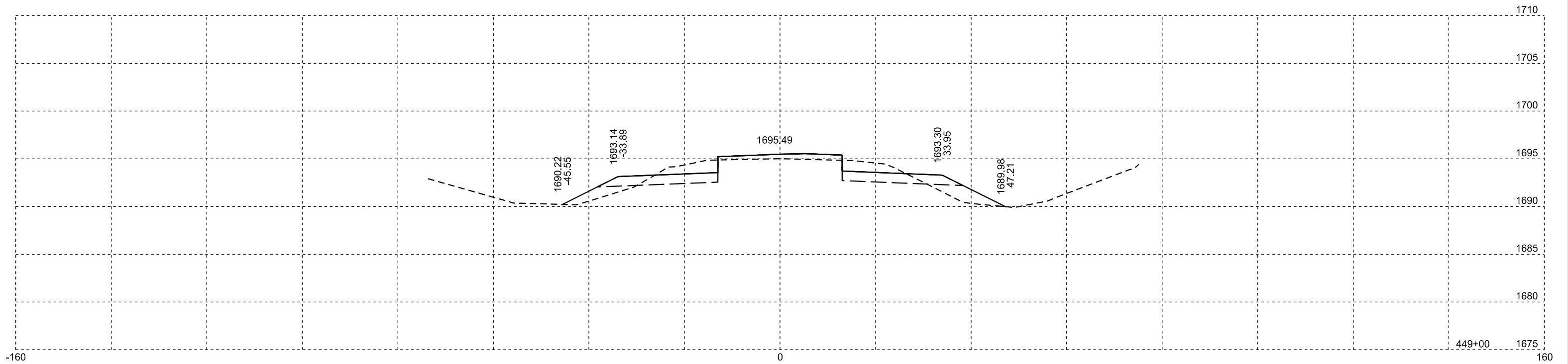
Plotting Date: 08/13/2024

STATE OF SOUTH DAKOTA	PROJECT	SHEET	TOTAL SHEETS
	NH-CR 0034(193)402	X4	X128



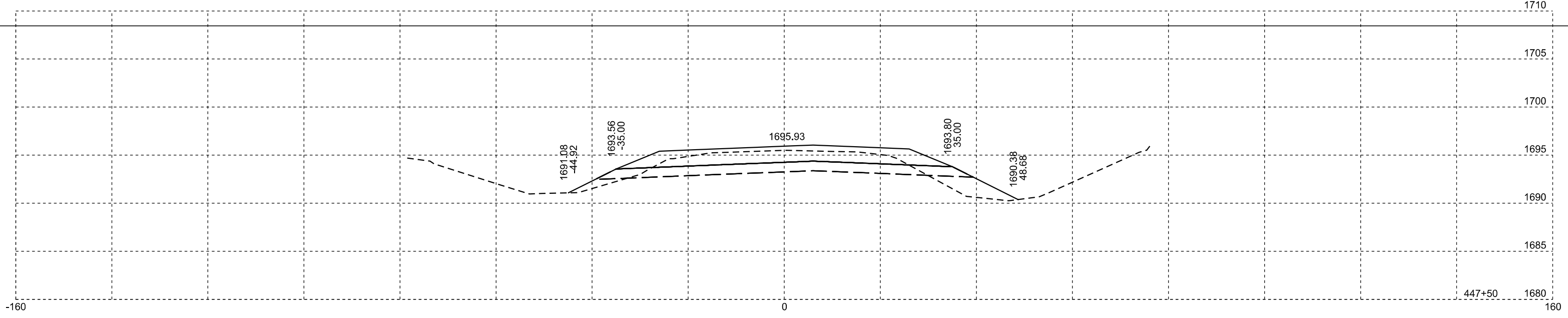
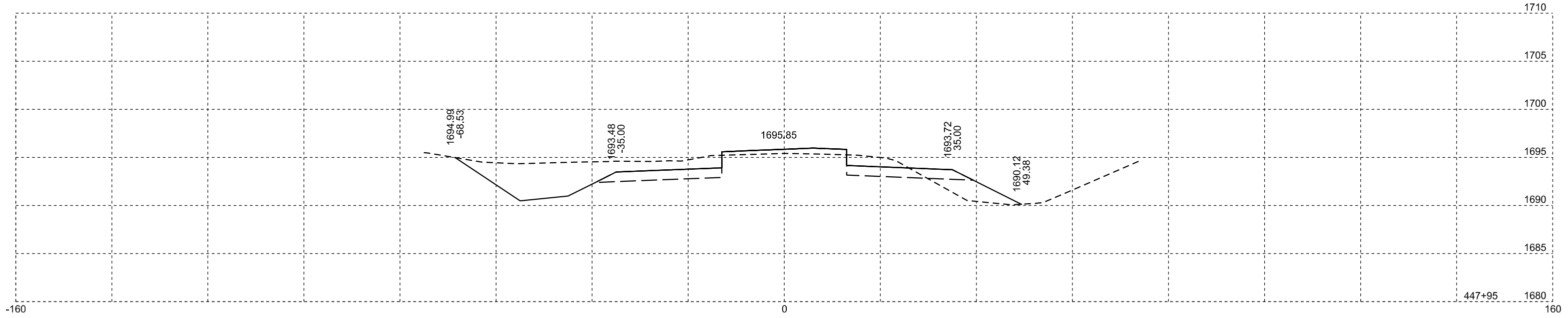
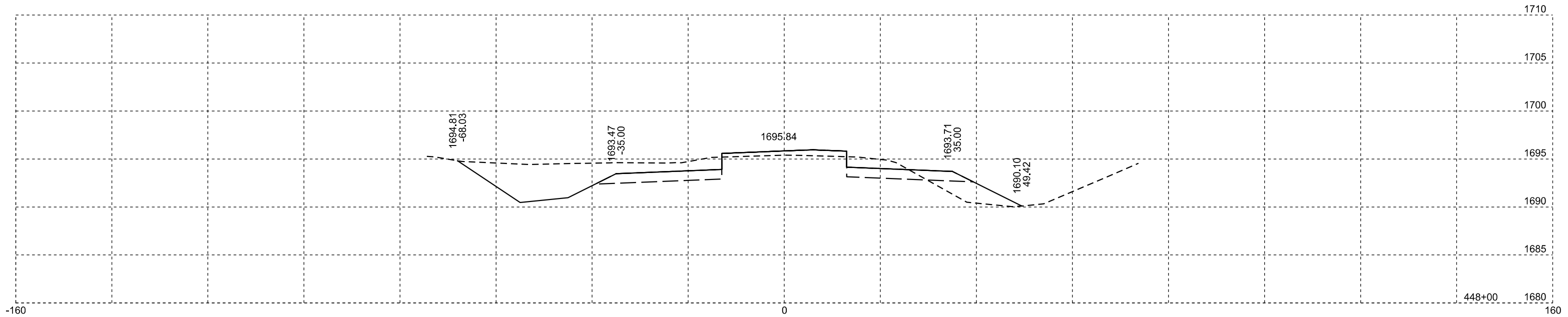
Plotting Date: 08/13/2024

STATE OF SOUTH DAKOTA	PROJECT	SHEET	TOTAL SHEETS
	NH-CR 0034(193)402	X5	X128

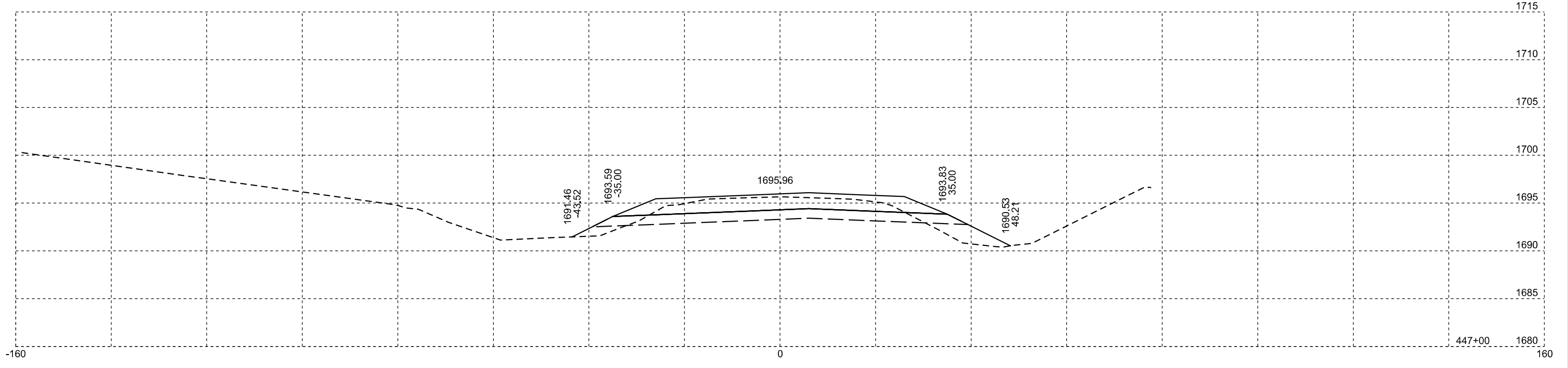
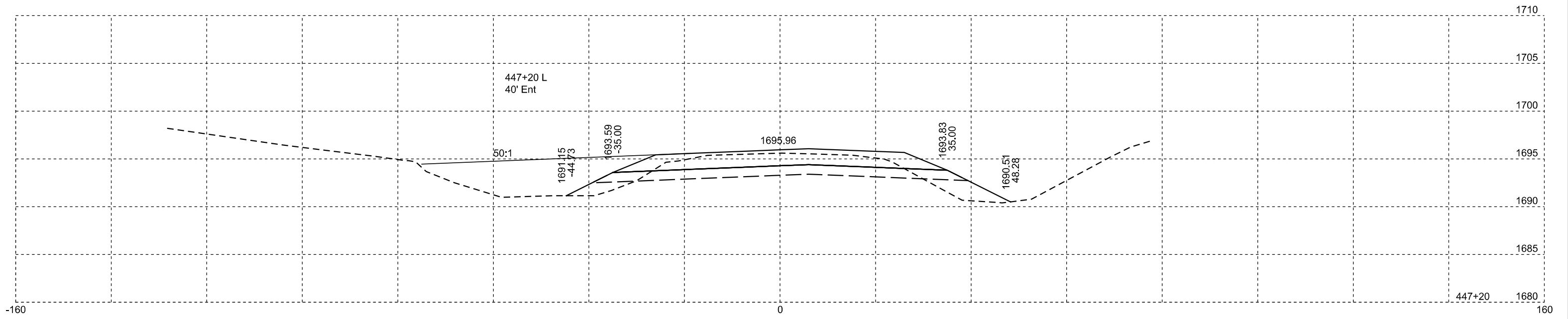


Plotting Date: 08/13/2024

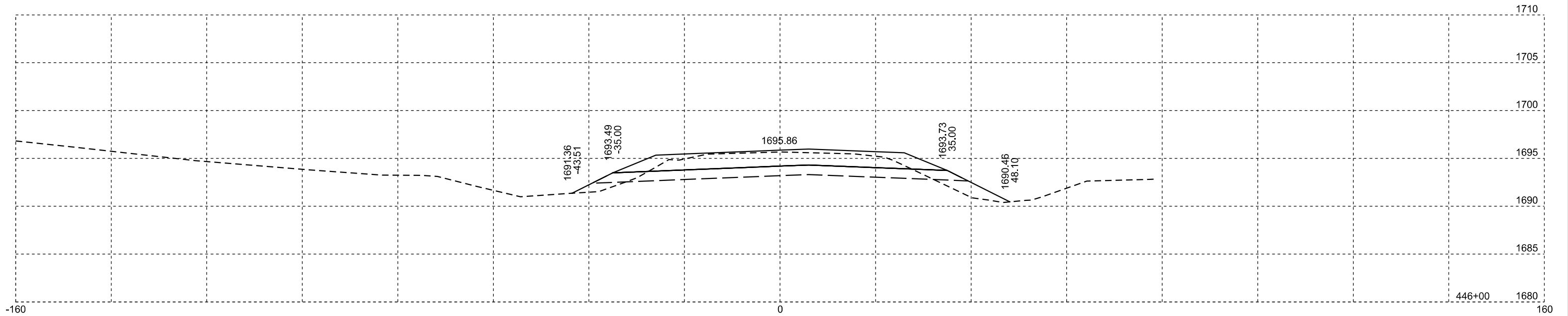
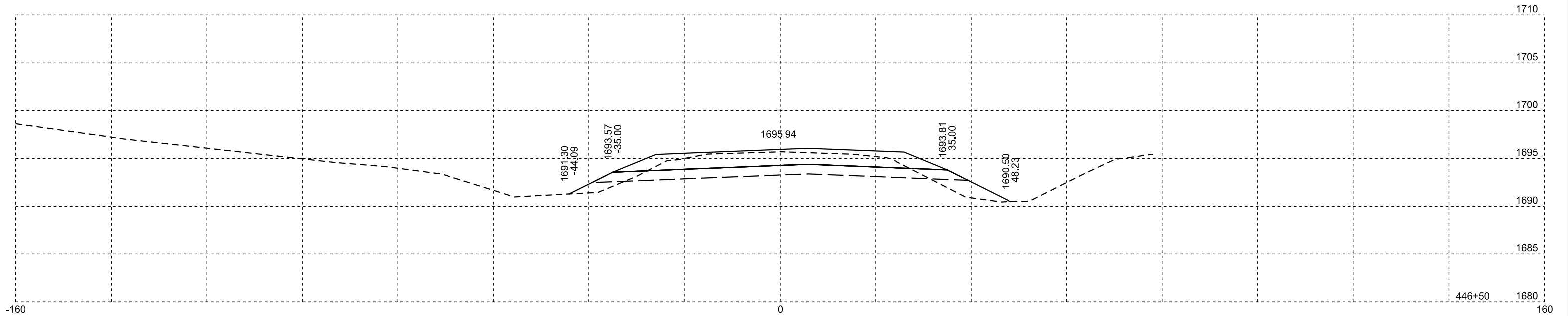
STATE OF SOUTH DAKOTA	PROJECT	SHEET	TOTAL SHEETS
	NH-CR 0034(193)402	X6	X128



STATE OF SOUTH DAKOTA	PROJECT	SHEET	TOTAL SHEETS
	NH-CR 0034(193)402	X7	X128

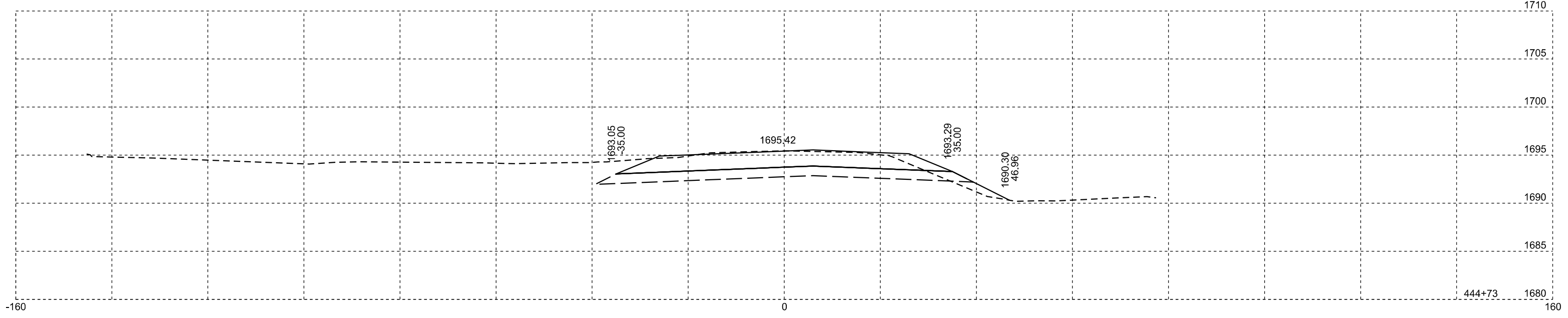
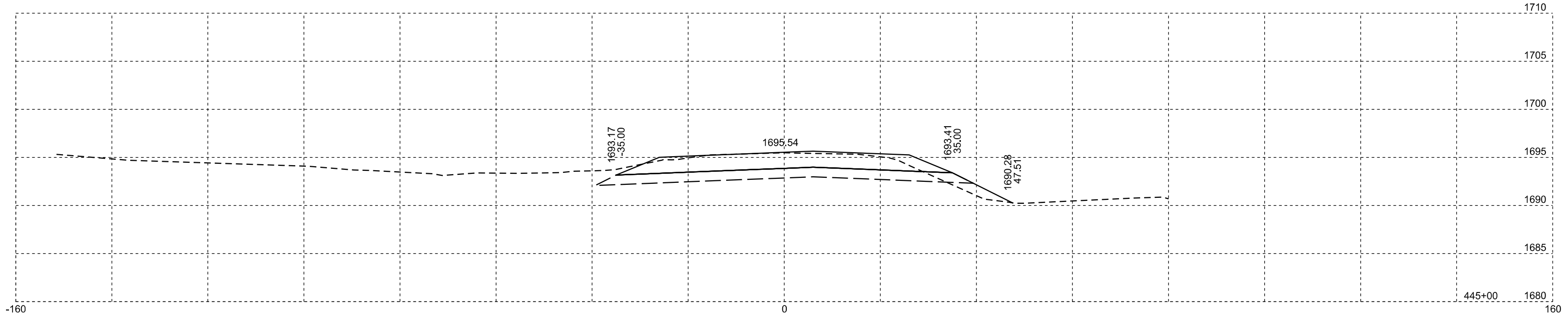
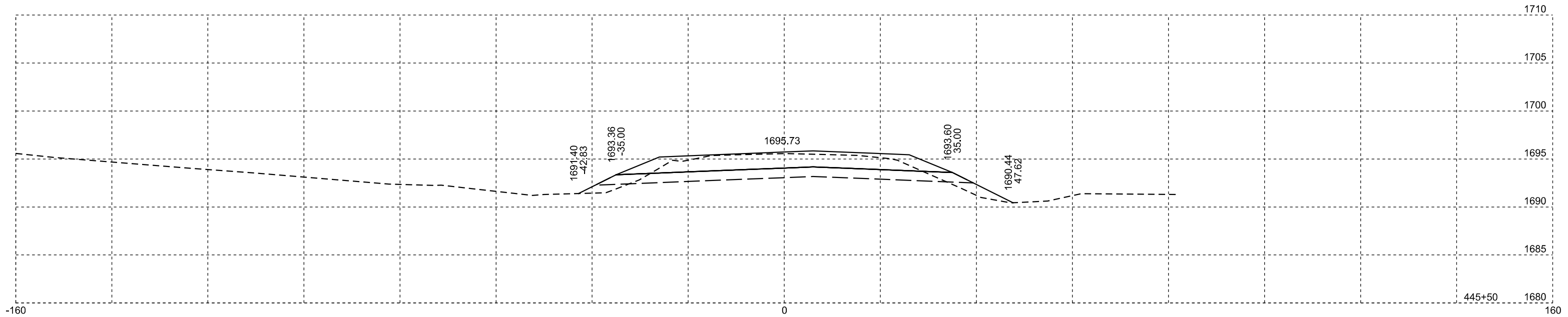


STATE OF SOUTH DAKOTA	PROJECT	SHEET	TOTAL SHEETS
	NH-CR 0034(193)402	X8	X128

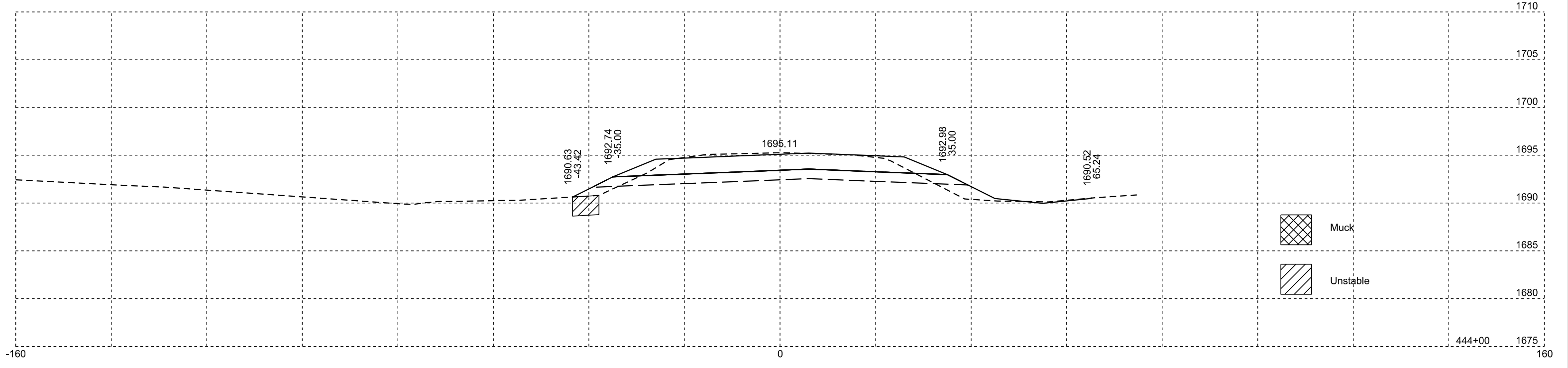
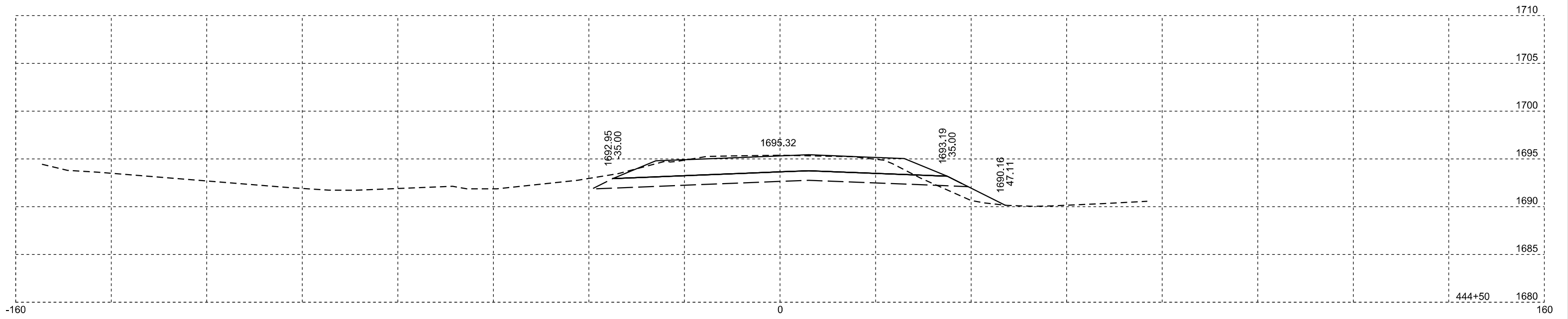




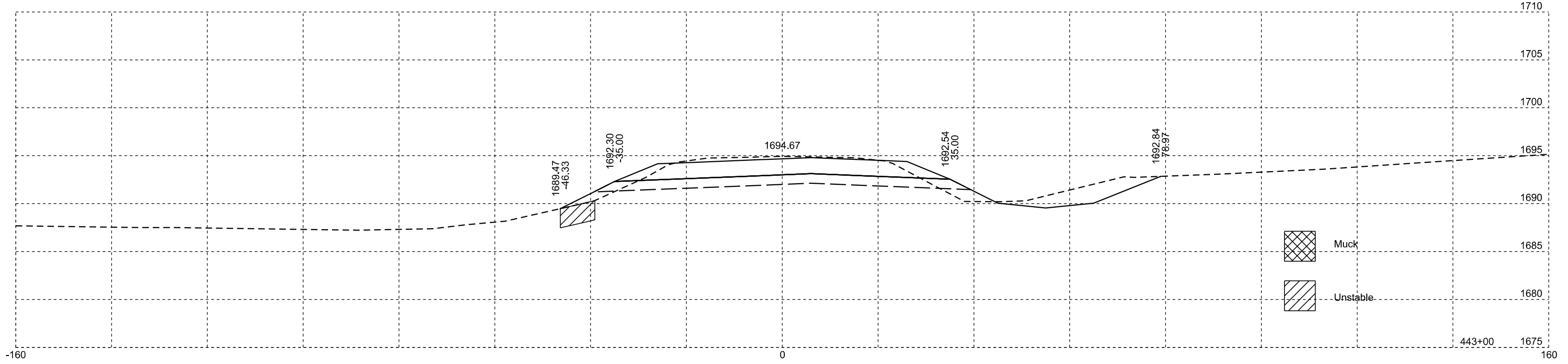
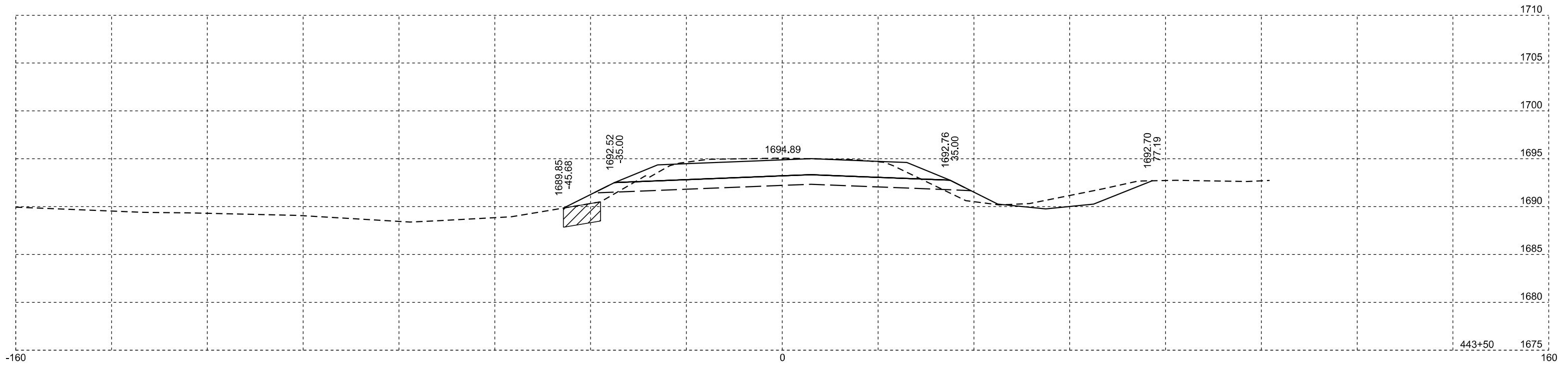
STATE OF SOUTH DAKOTA	PROJECT	SHEET	TOTAL SHEETS
	NH-CR 0034(193)402	X9	X128




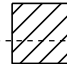
STATE OF SOUTH DAKOTA	PROJECT	SHEET	TOTAL SHEETS
	NH-CR 0034(193)402	X10	X128



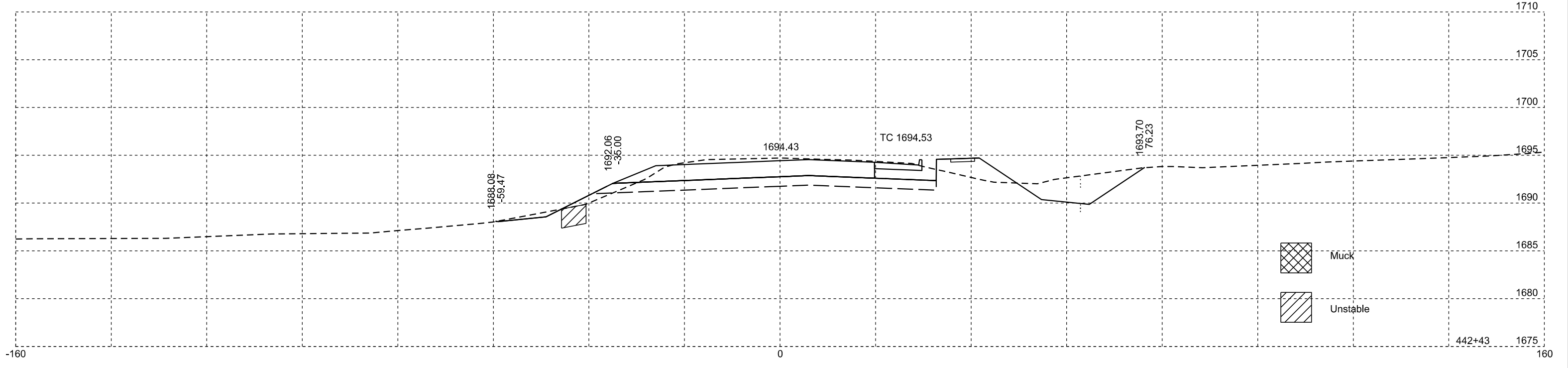
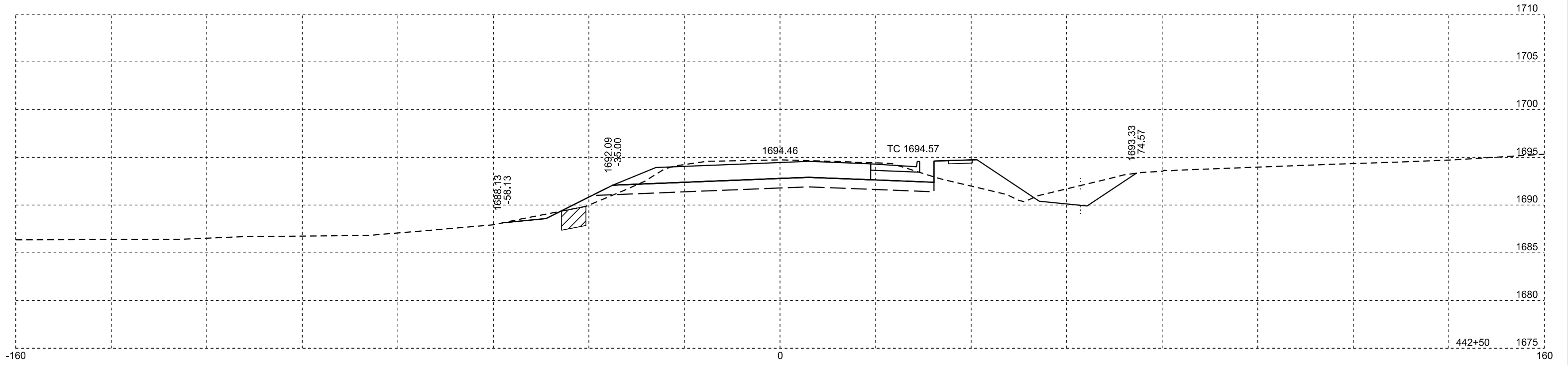
STATE OF SOUTH DAKOTA	PROJECT	SHEET	TOTAL SHEETS
	NH-CR 0034(193)402	X11	X128



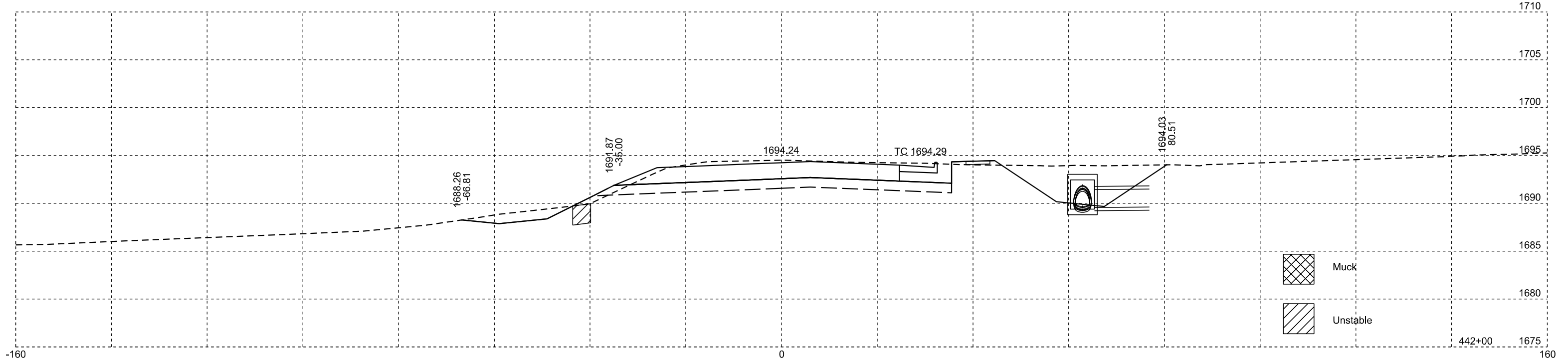
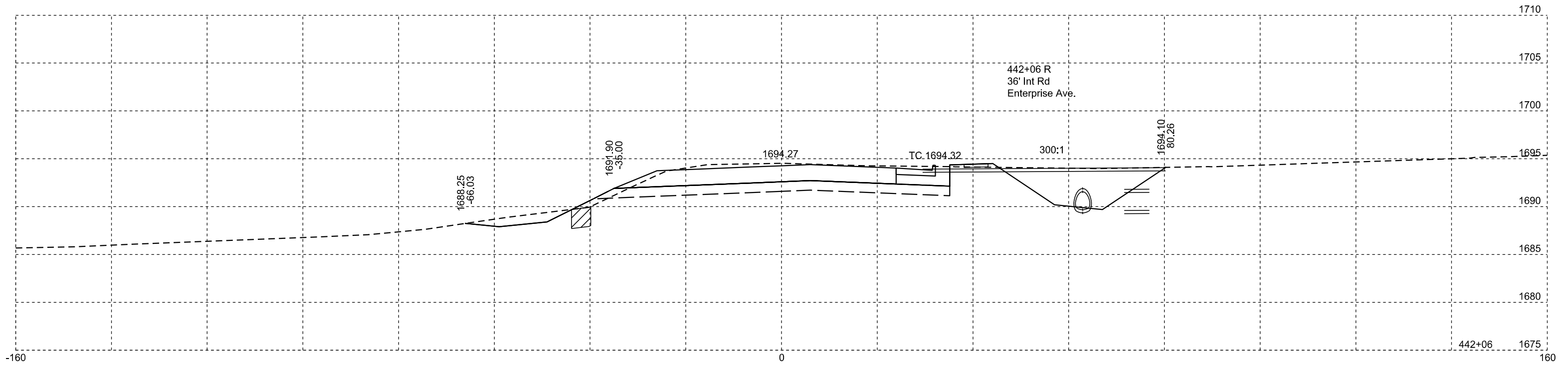
 Muck

 Unstable

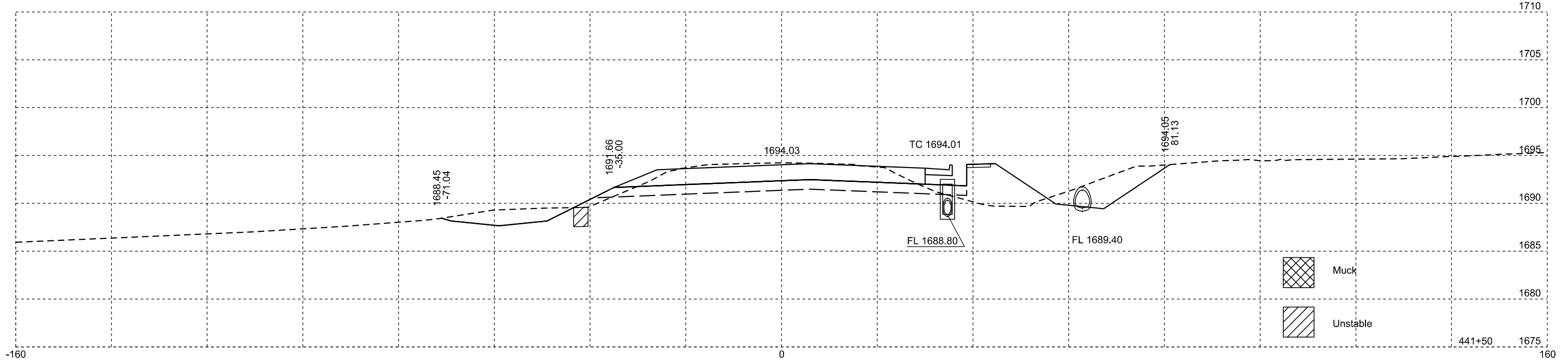
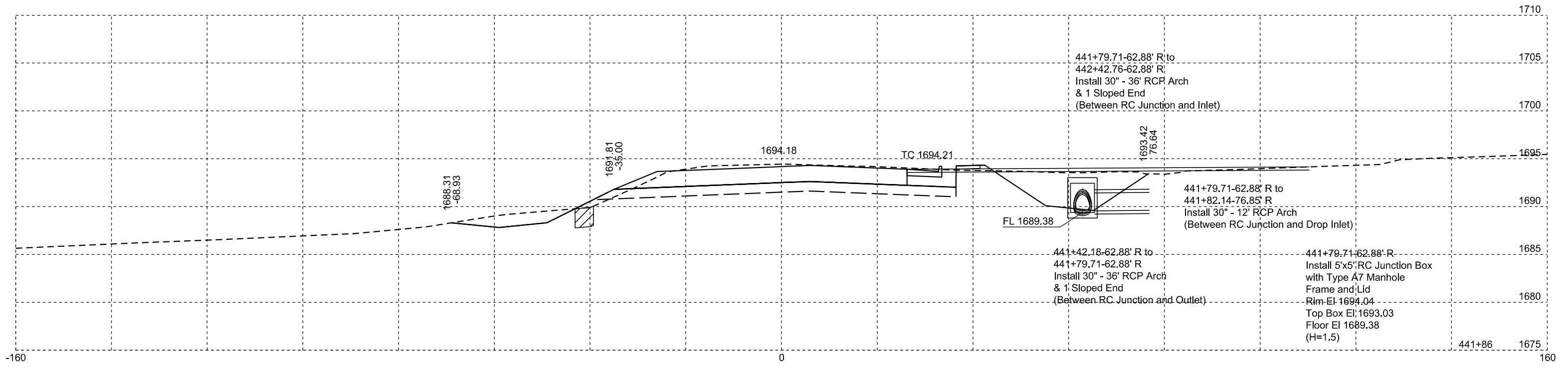
STATE OF SOUTH DAKOTA	PROJECT	SHEET	TOTAL SHEETS
	NH-CR 0034(193)402	X12	X128

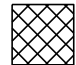


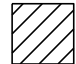
STATE OF SOUTH DAKOTA	PROJECT	SHEET	TOTAL SHEETS
	NH-CR 0034(193)402	X13	X128



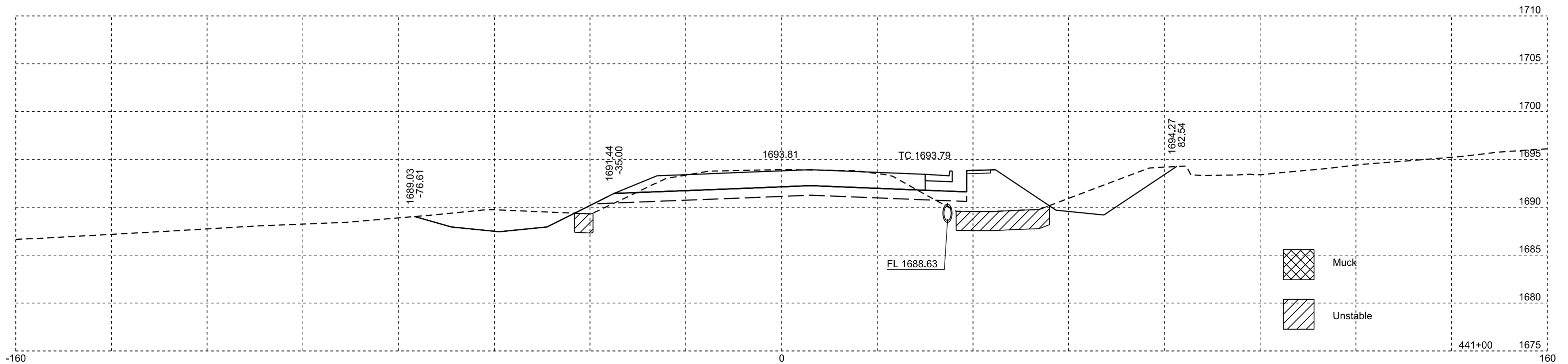
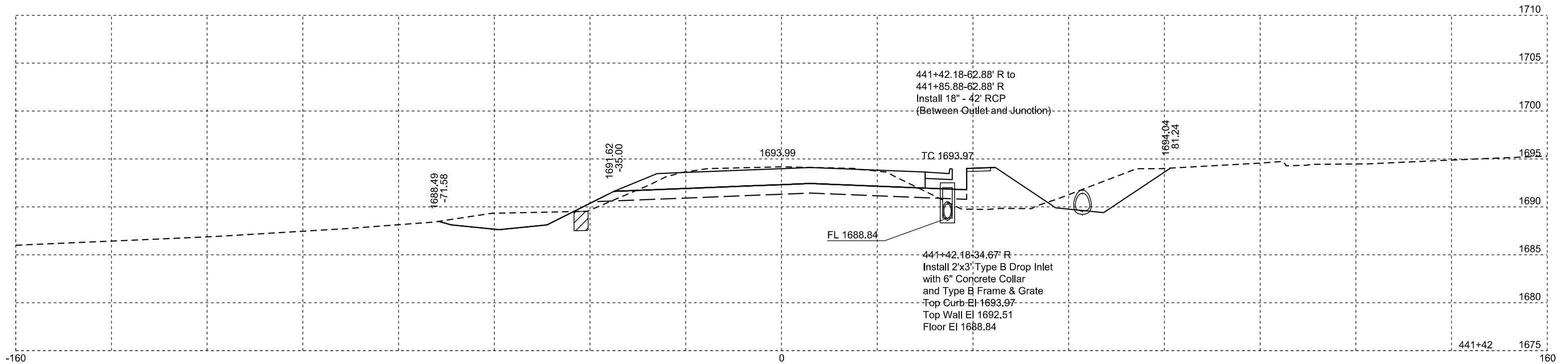
STATE OF SOUTH DAKOTA	PROJECT	SHEET	TOTAL SHEETS
	NH-CR 0034(193)402	X14	X128



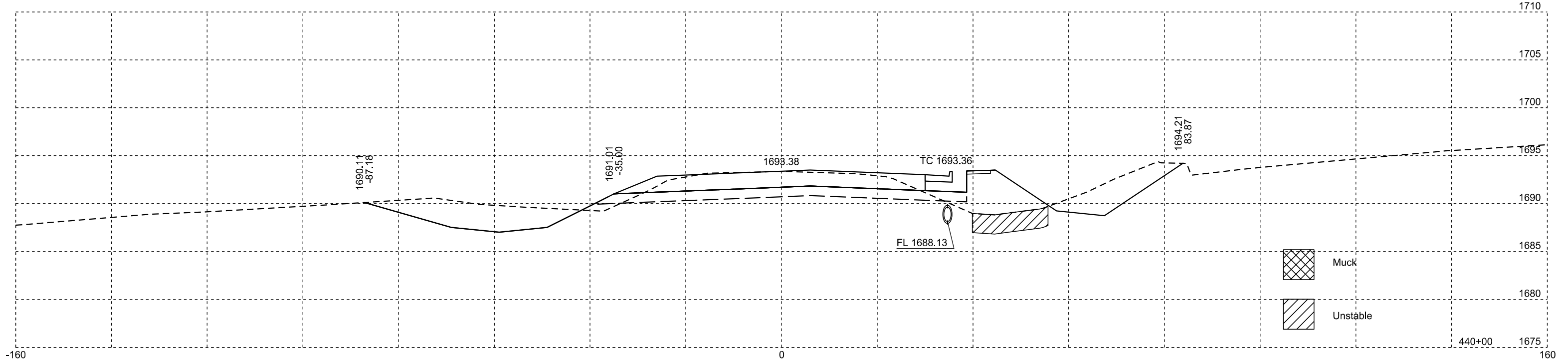
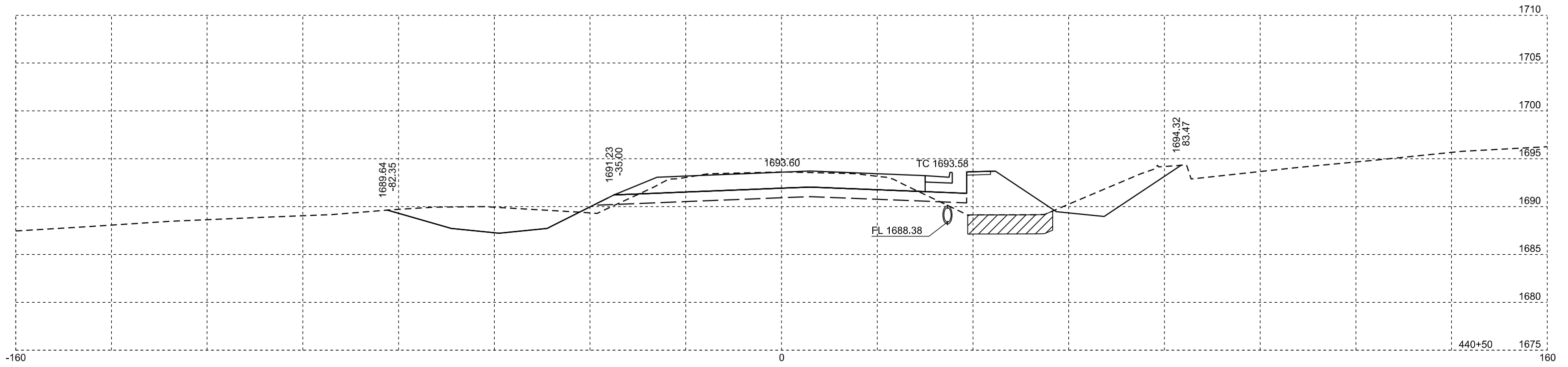
 Muck

 Unstable

STATE OF SOUTH DAKOTA	PROJECT	SHEET	TOTAL SHEETS
	NH-CR 0034(193)402	X15	X128

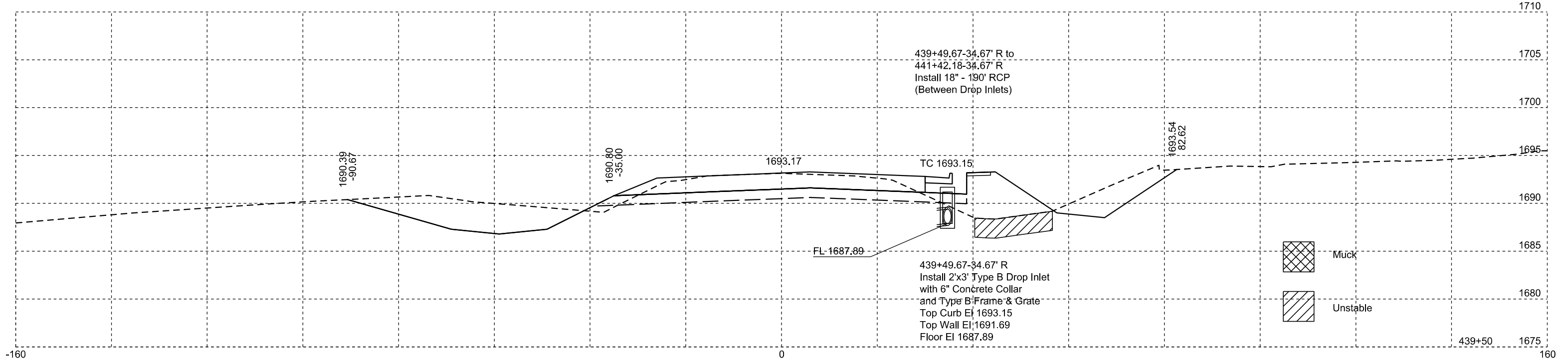
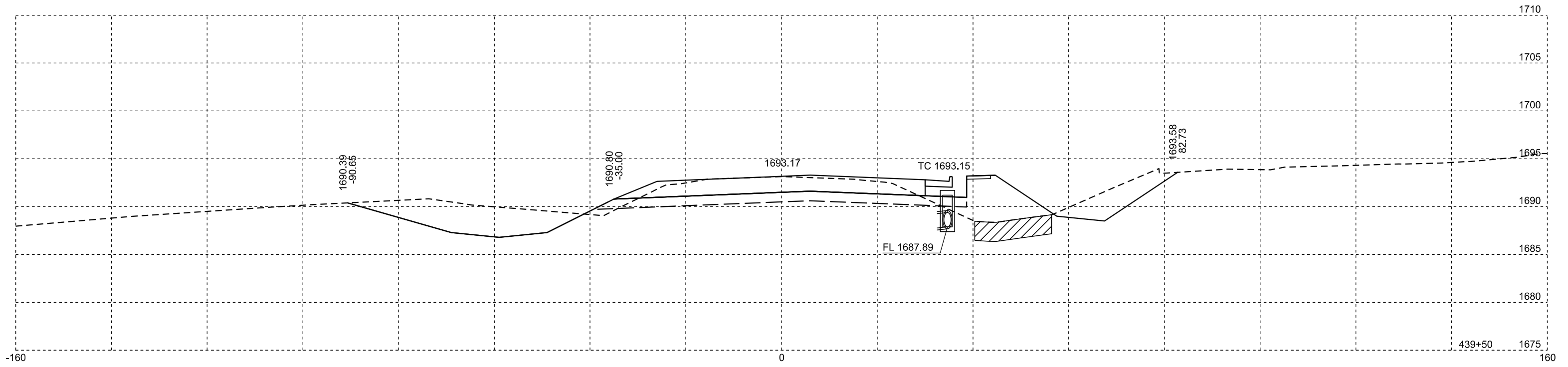


STATE OF SOUTH DAKOTA	PROJECT	SHEET	TOTAL SHEETS
	NH-CR 0034(193)402	X16	X128

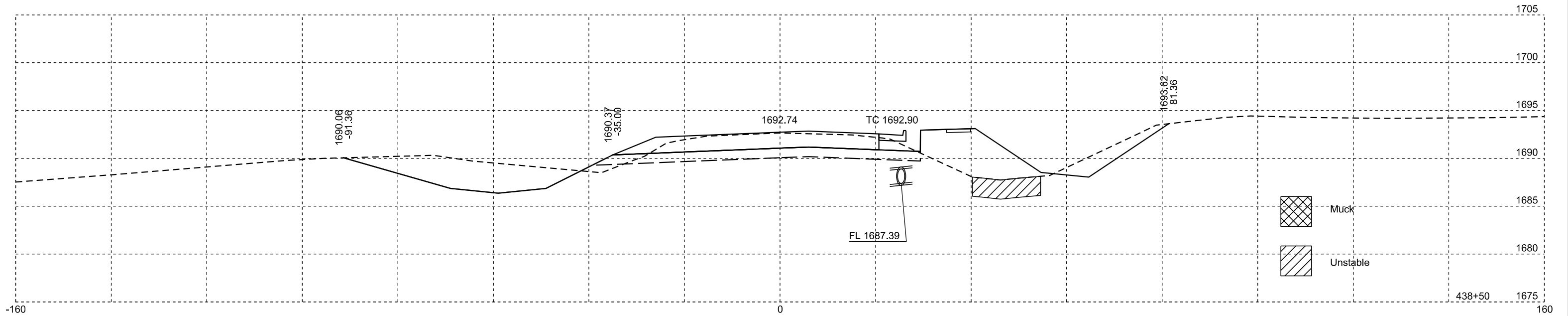
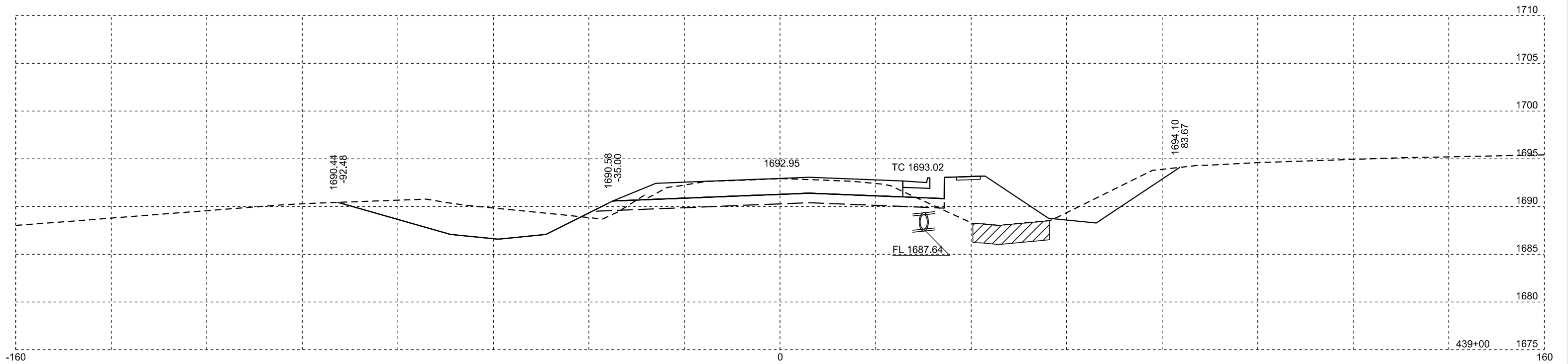




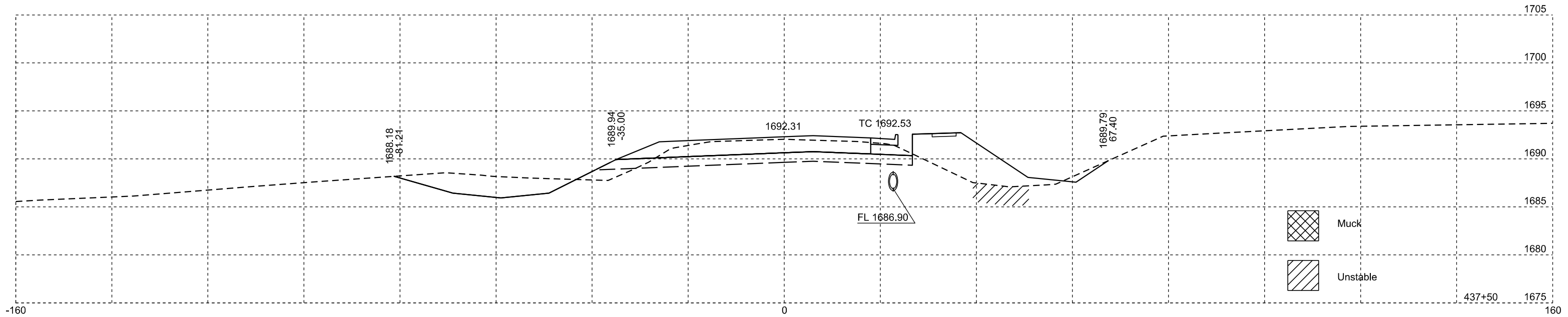
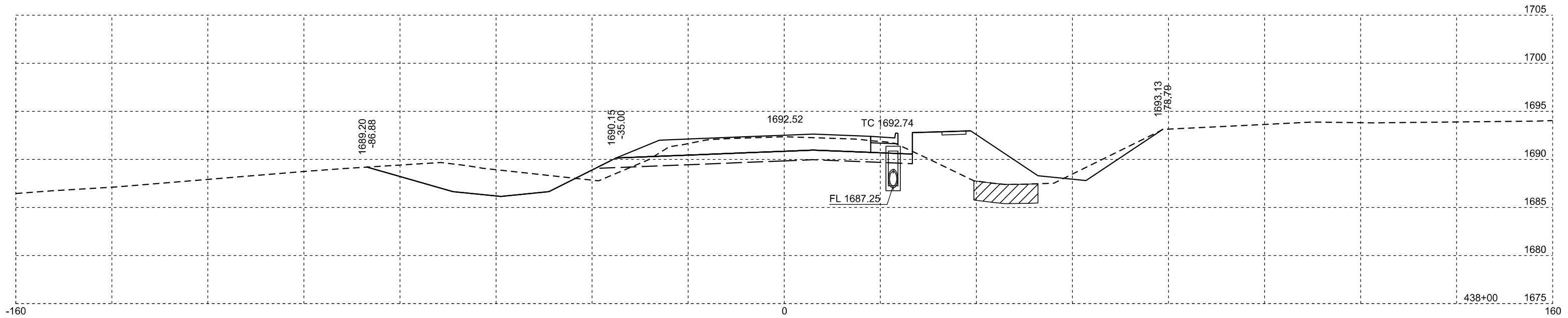
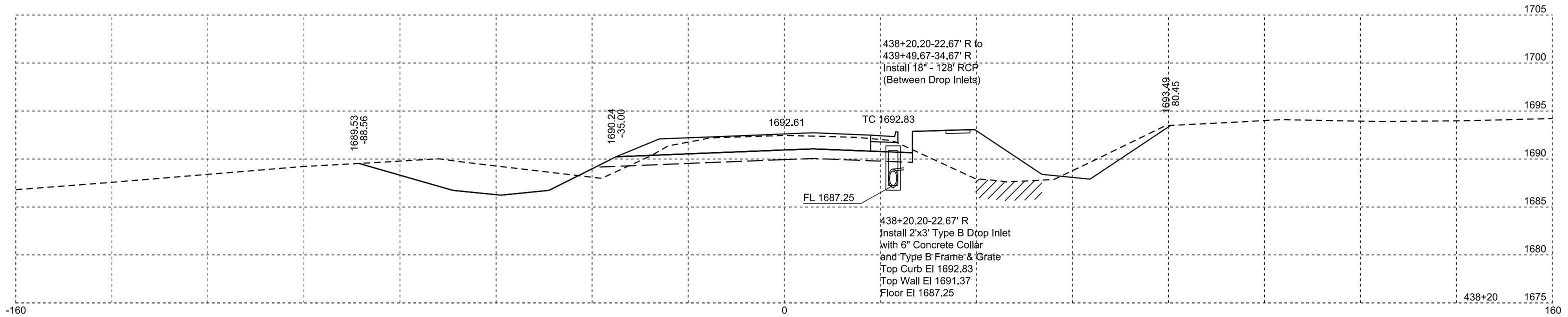
STATE OF SOUTH DAKOTA	PROJECT	SHEET	TOTAL SHEETS
	NH-CR 0034(193)402	X17	X128



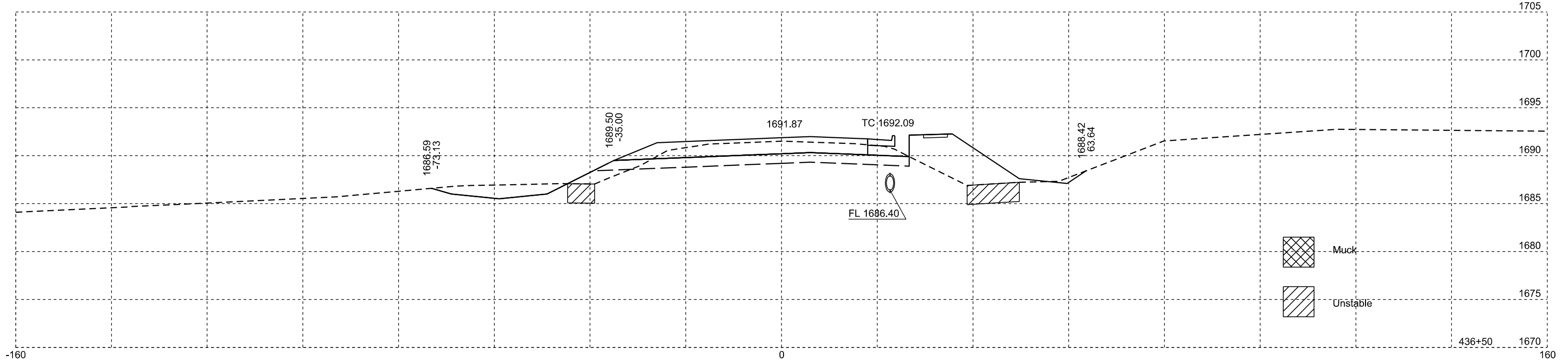
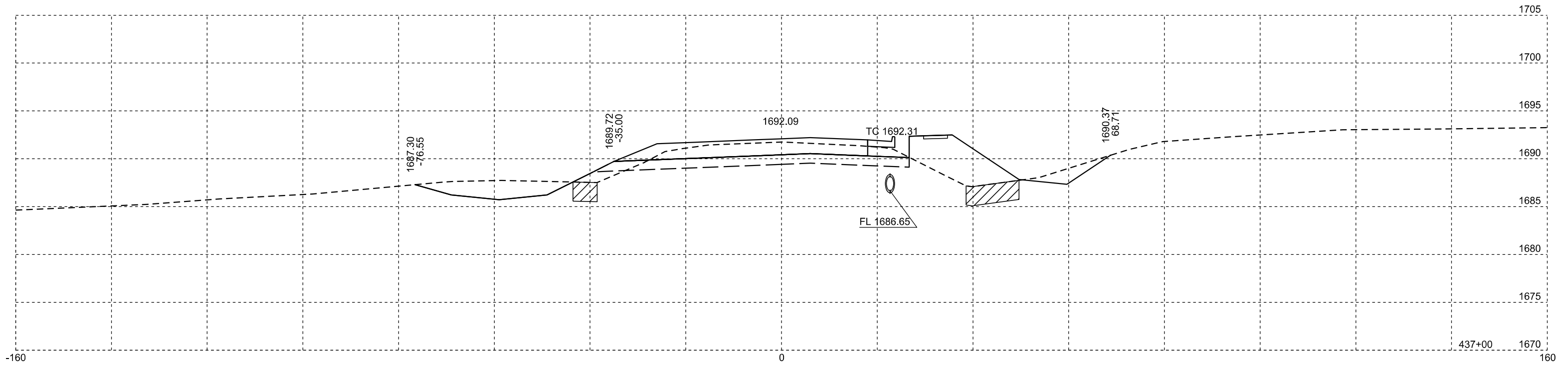
STATE OF SOUTH DAKOTA	PROJECT	SHEET	TOTAL SHEETS
	NH-CR 0034(193)402	X18	X128



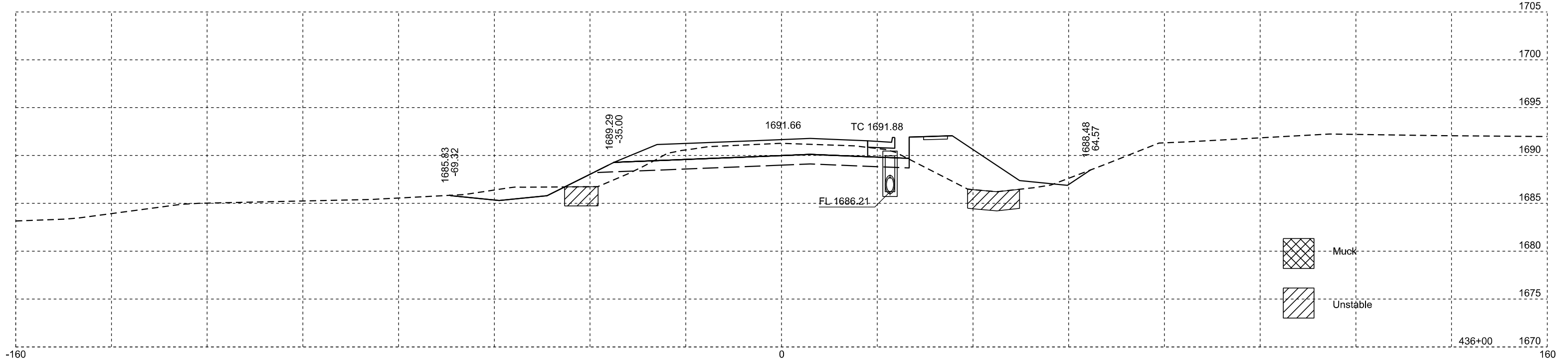
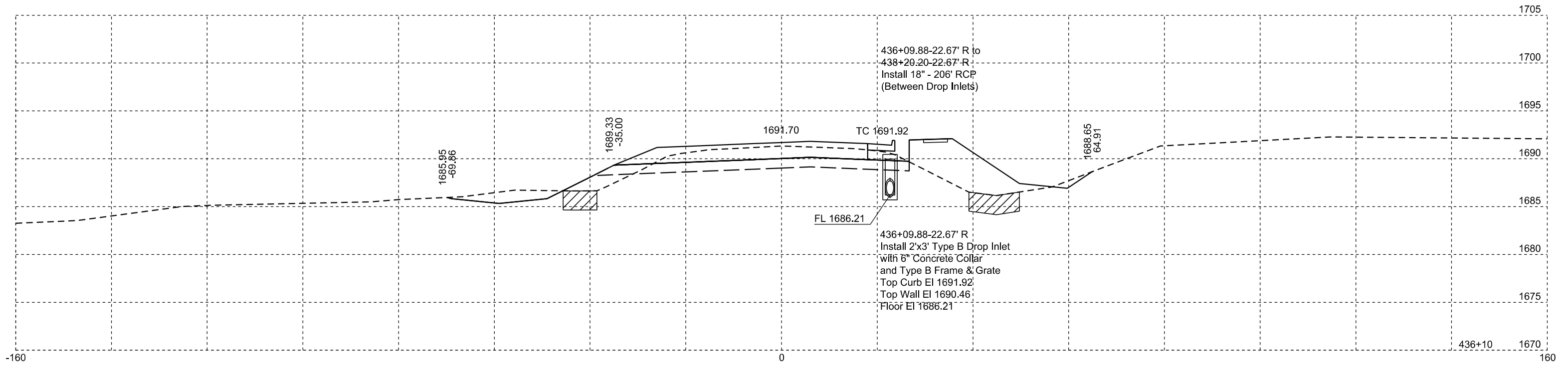
STATE OF SOUTH DAKOTA	PROJECT	SHEET	TOTAL SHEETS
	NH-CR 0034(193)402	X19	X128

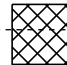
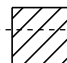


STATE OF SOUTH DAKOTA	PROJECT	SHEET	TOTAL SHEETS
	NH-CR 0034(193)402	X20	X128

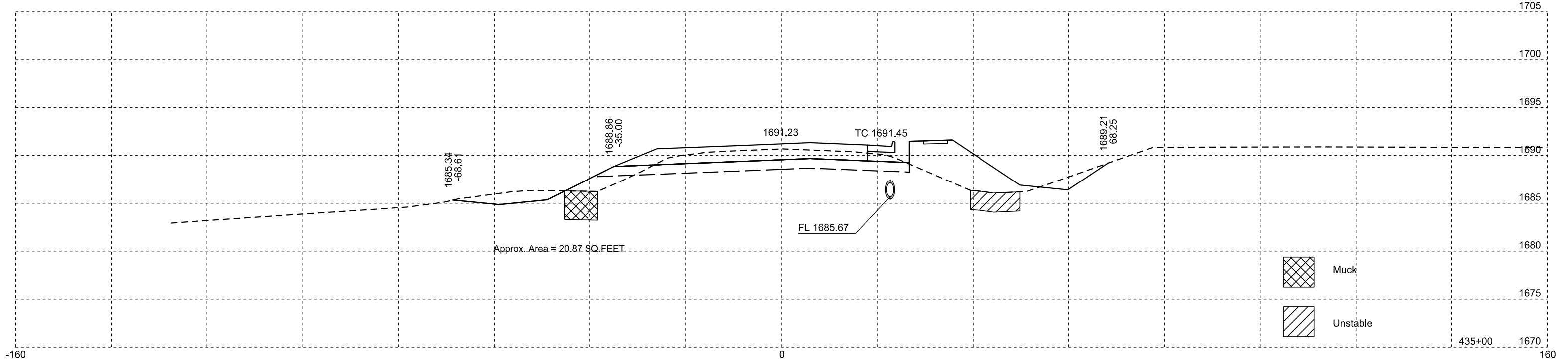
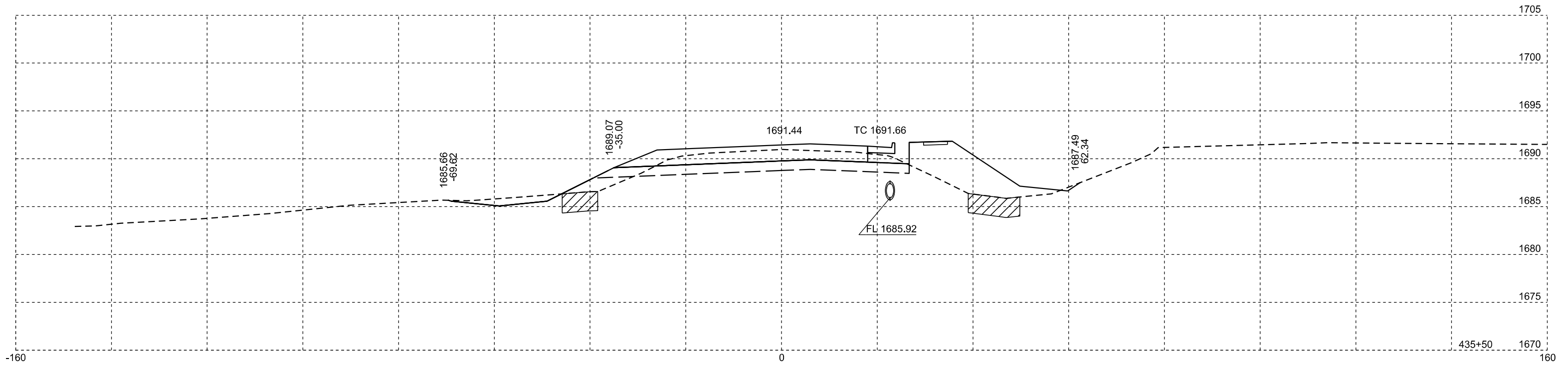


STATE OF SOUTH DAKOTA	PROJECT	SHEET	TOTAL SHEETS
	NH-CR 0034(193)402	X21	X128

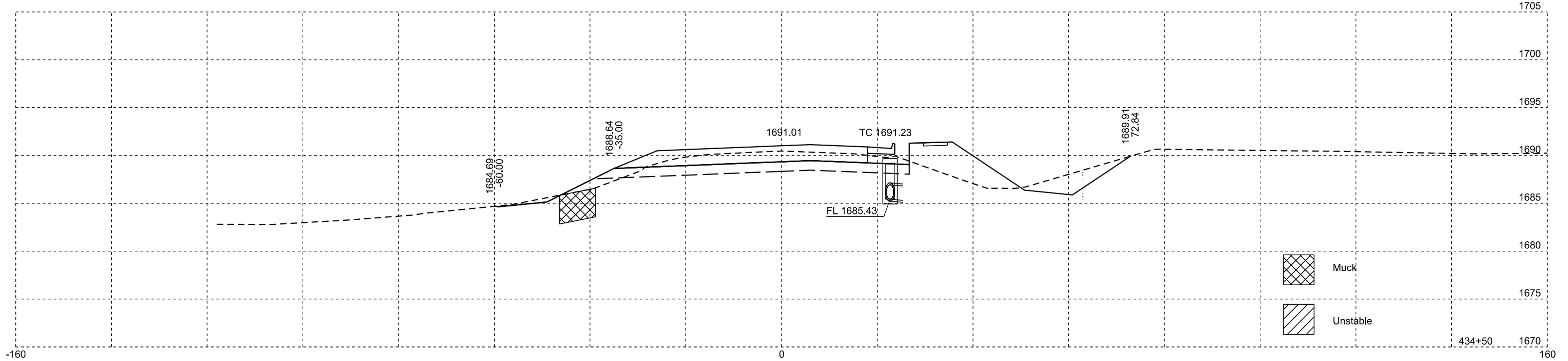
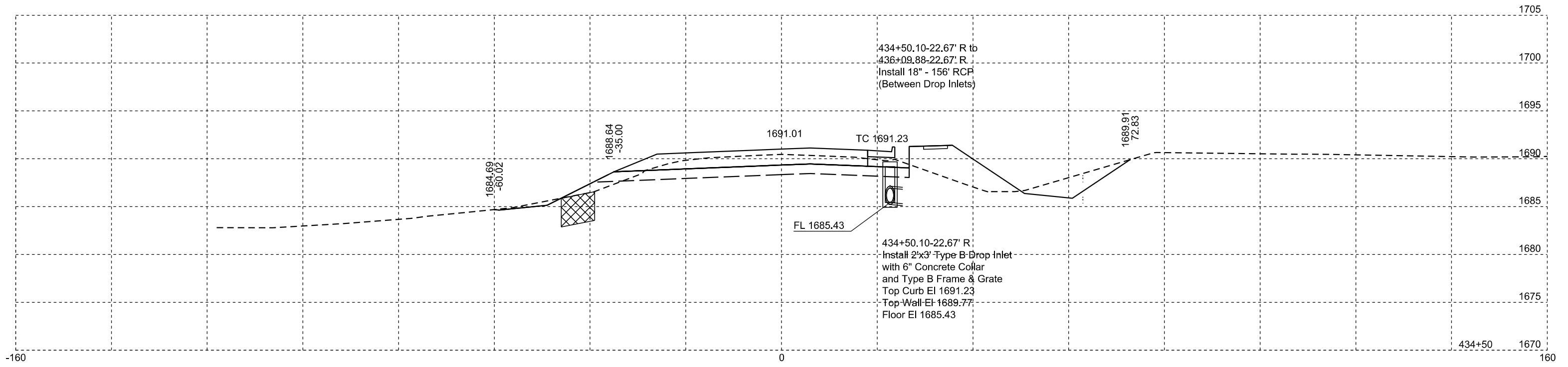


 Muck  
 Unstable

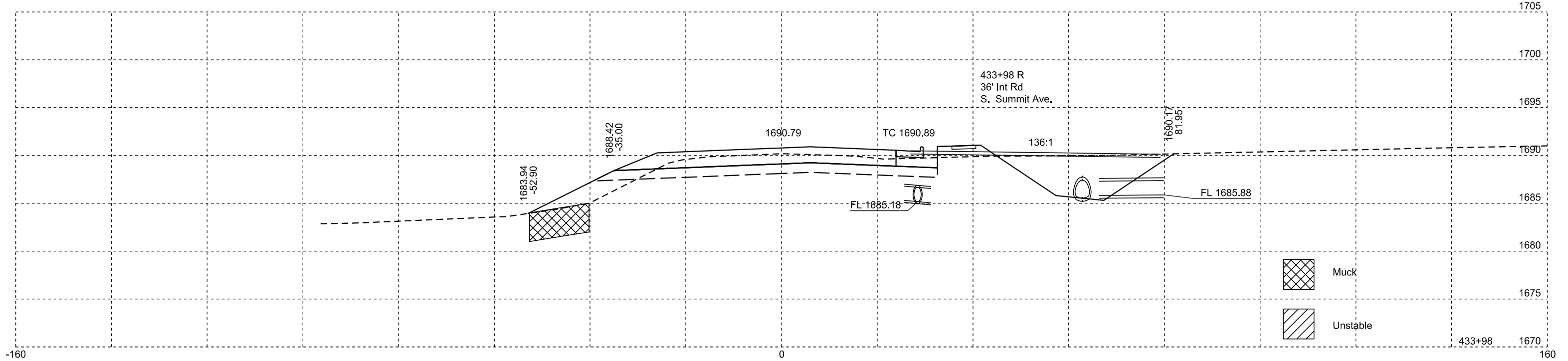
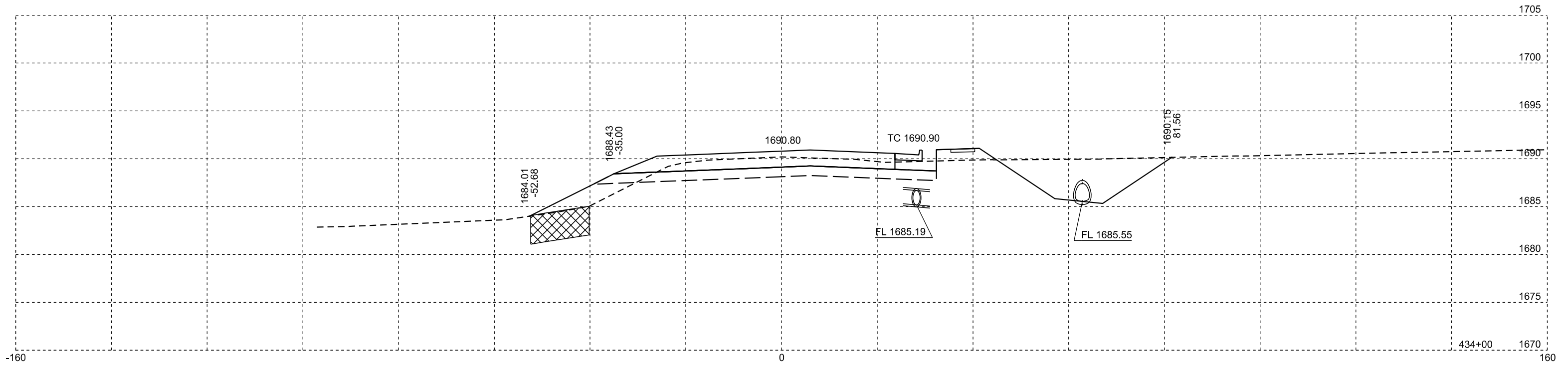
STATE OF SOUTH DAKOTA	PROJECT	SHEET	TOTAL SHEETS
	NH-CR 0034(193)402	X22	X128



STATE OF SOUTH DAKOTA	PROJECT	SHEET	TOTAL SHEETS
	NH-CR 0034(193)402	X23	X128

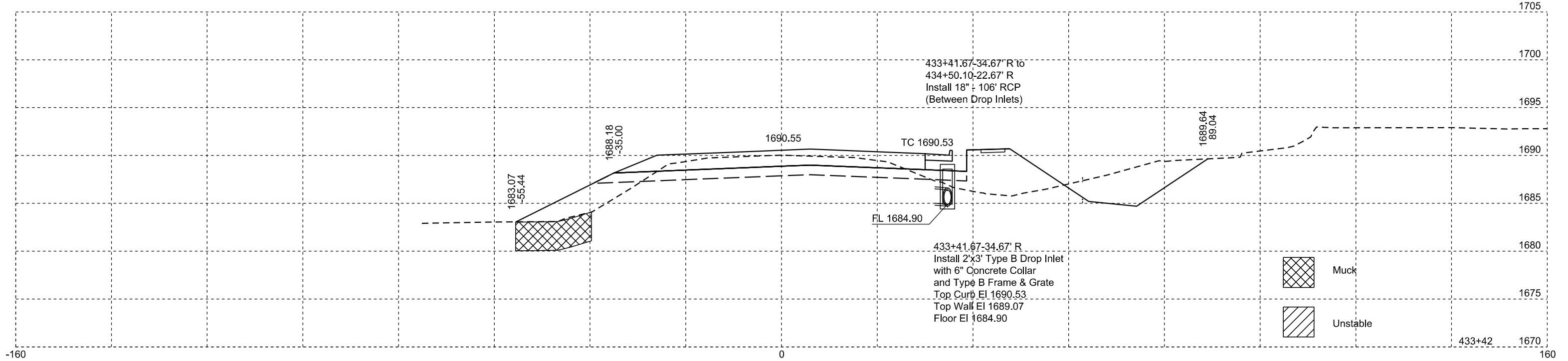
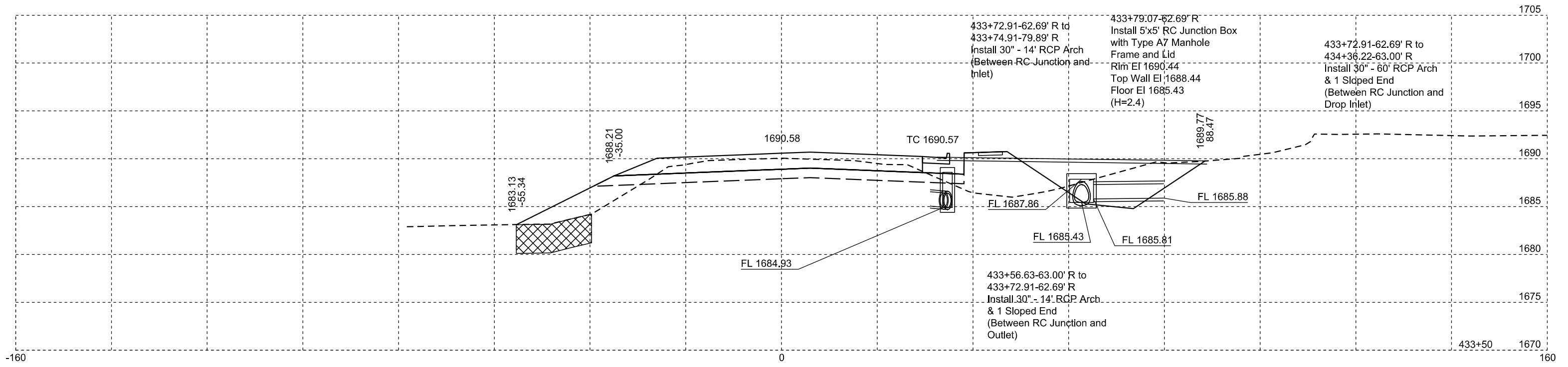


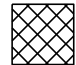
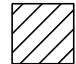
STATE OF SOUTH DAKOTA	PROJECT	SHEET	TOTAL SHEETS
	NH-CR 0034(193)402	X24	X128



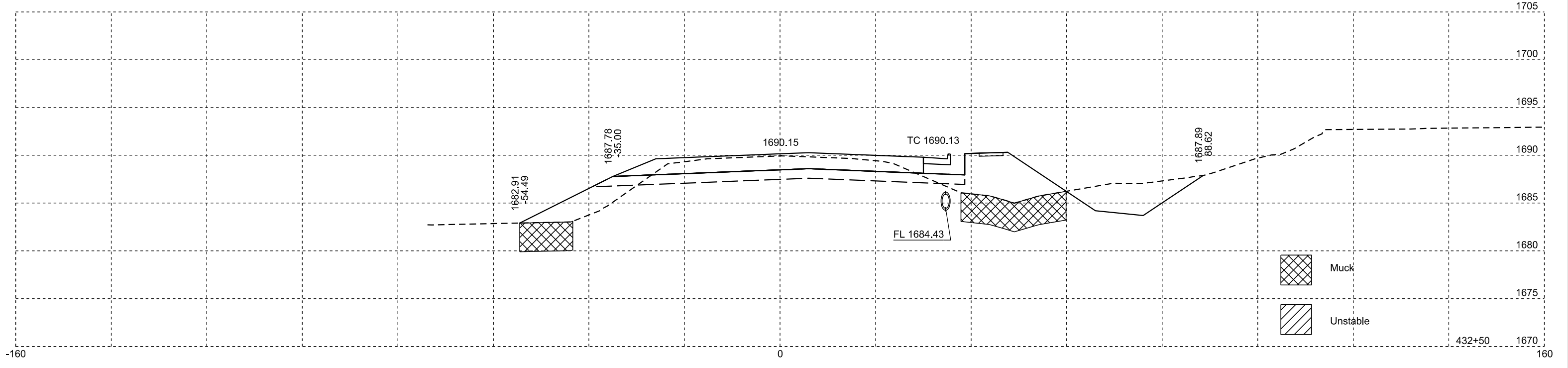
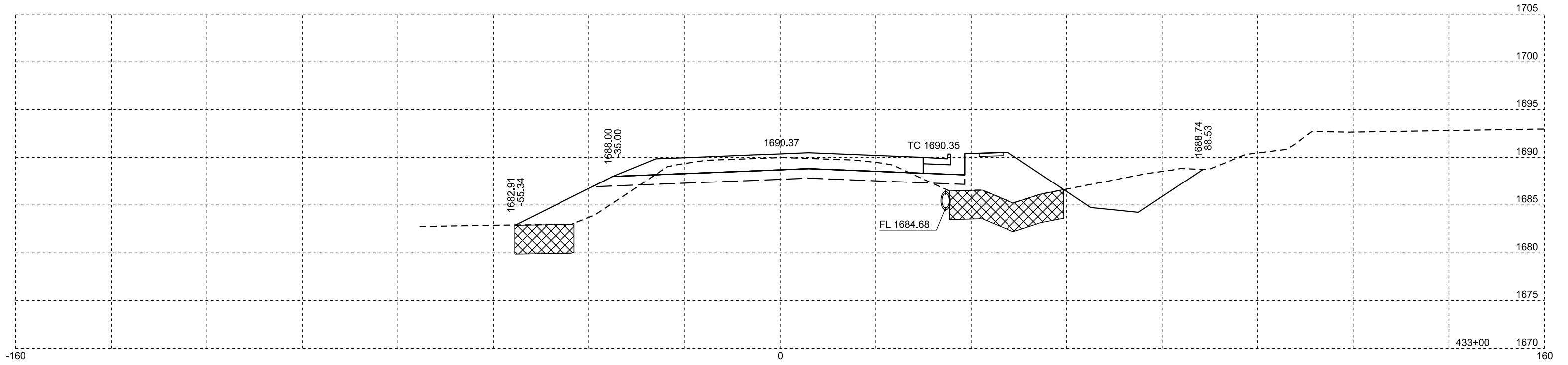



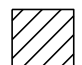
STATE OF SOUTH DAKOTA	PROJECT	SHEET	TOTAL SHEETS
	NH-CR 0034(193)402	X25	X128



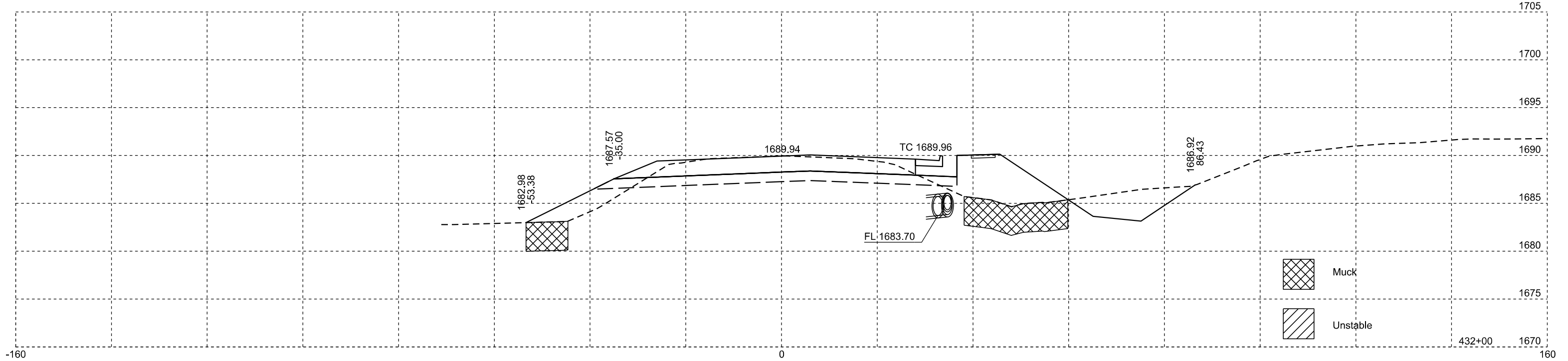
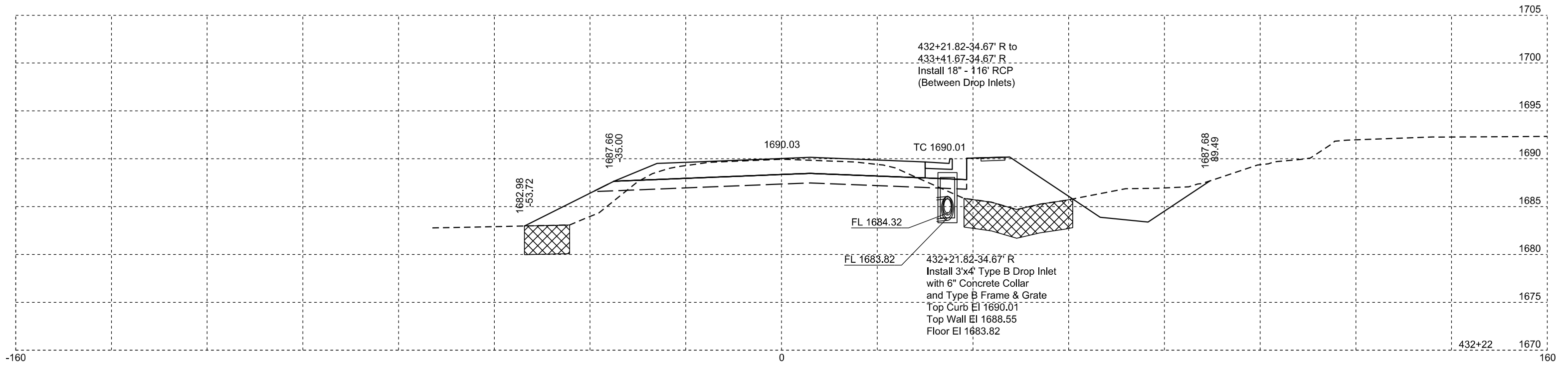
 Muck  
 Unstable

STATE OF SOUTH DAKOTA	PROJECT	SHEET	TOTAL SHEETS
	NH-CR 0034(193)402	X26	X128

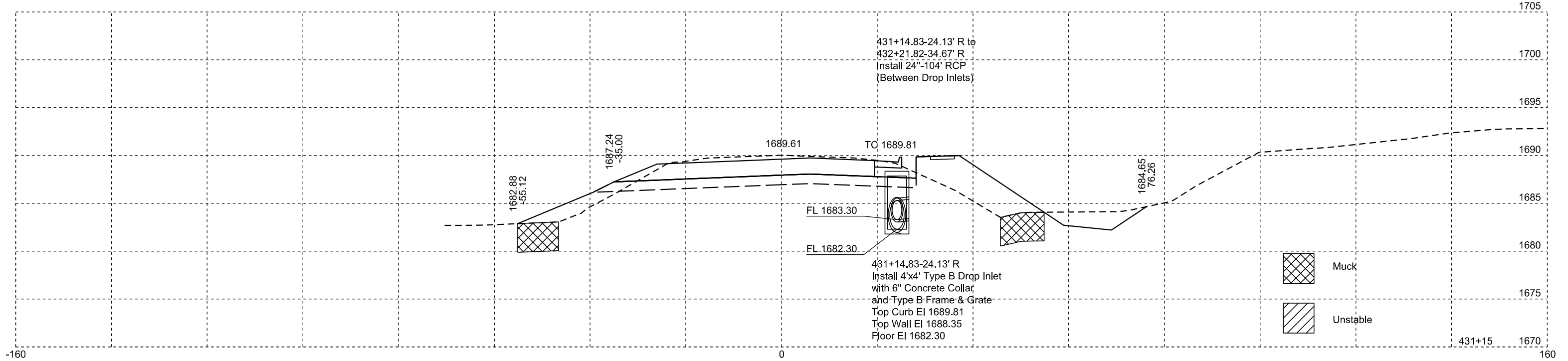
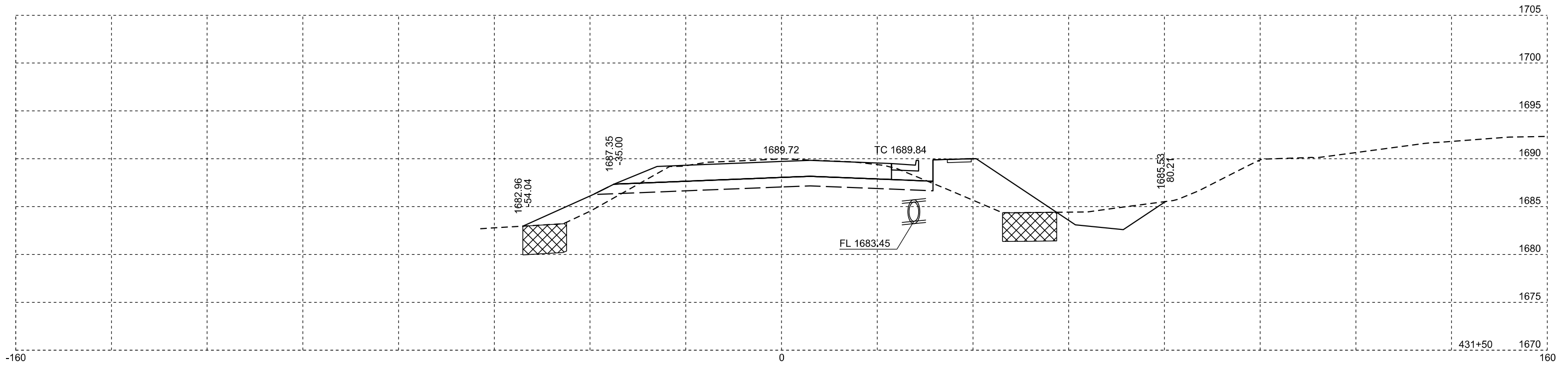



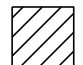
 Muck  
 Unstable

STATE OF SOUTH DAKOTA	PROJECT	SHEET	TOTAL SHEETS
	NH-CR 0034(193)402	X27	X128

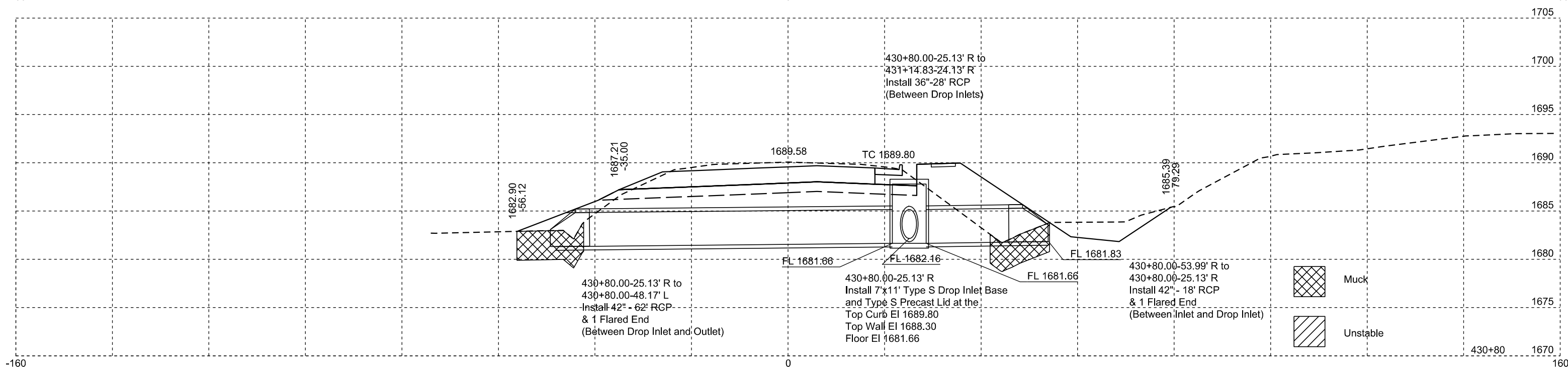
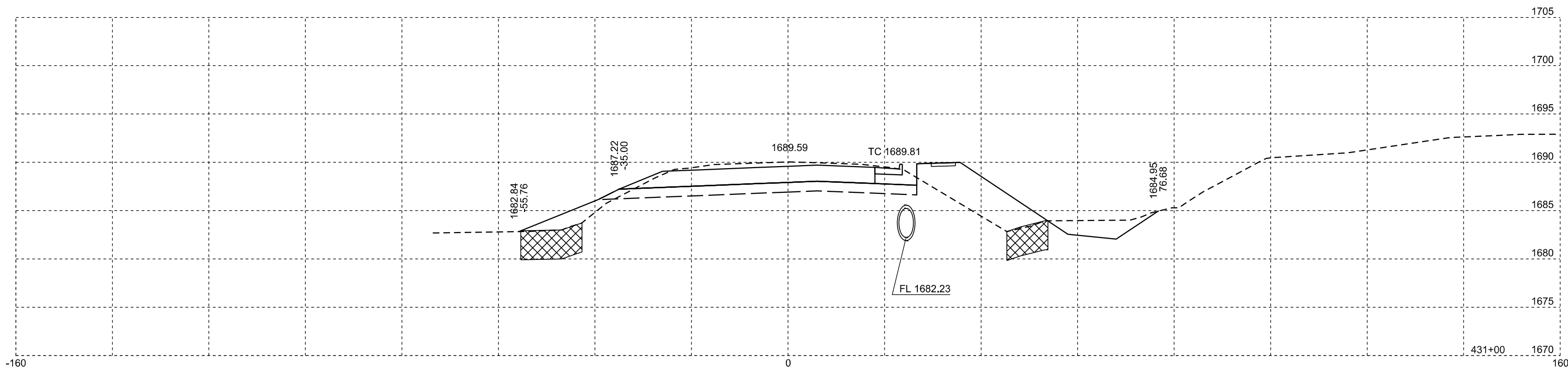


STATE OF SOUTH DAKOTA	PROJECT	SHEET	TOTAL SHEETS
	NH-CR 0034(193)402	X28	X128

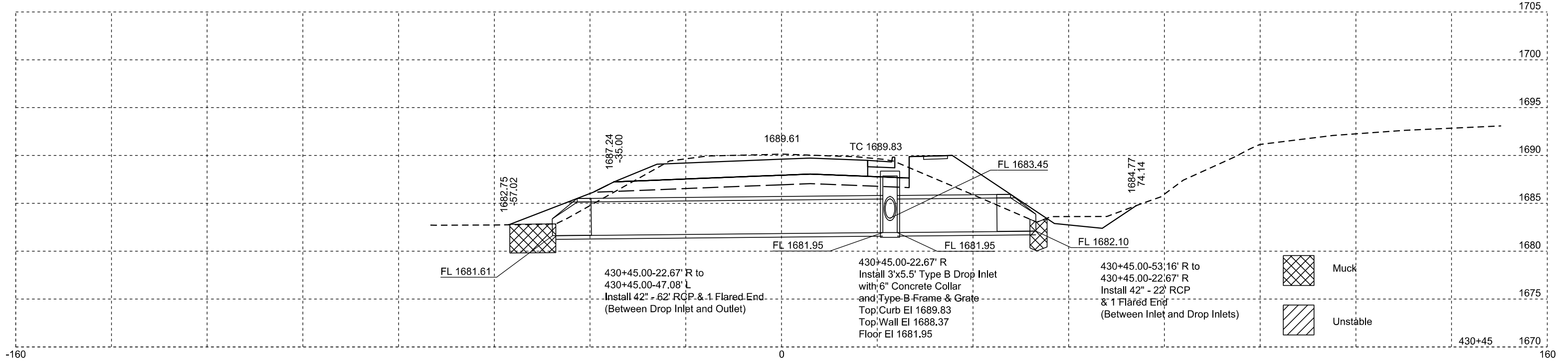
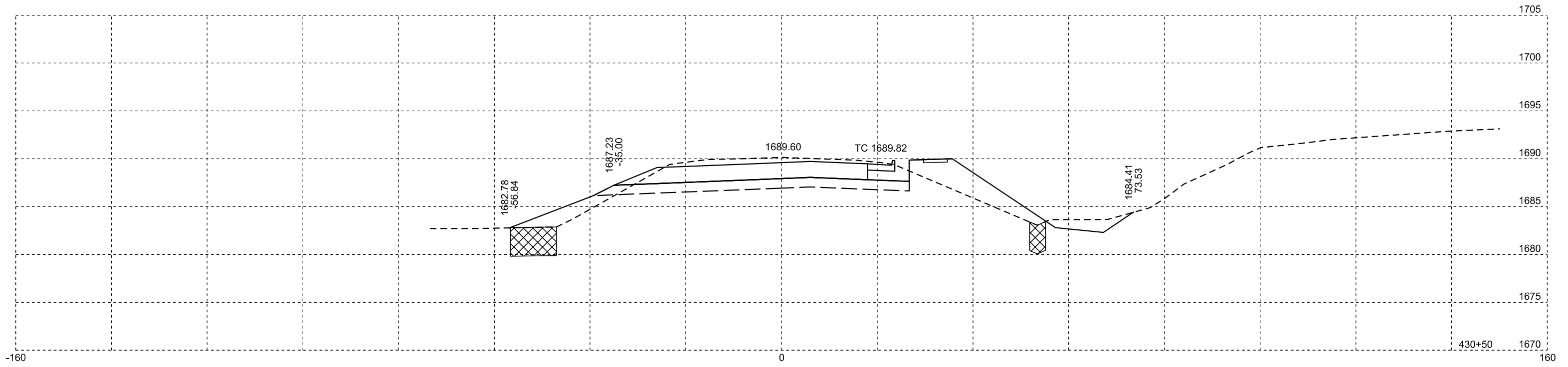


 Muck  
 Unstable

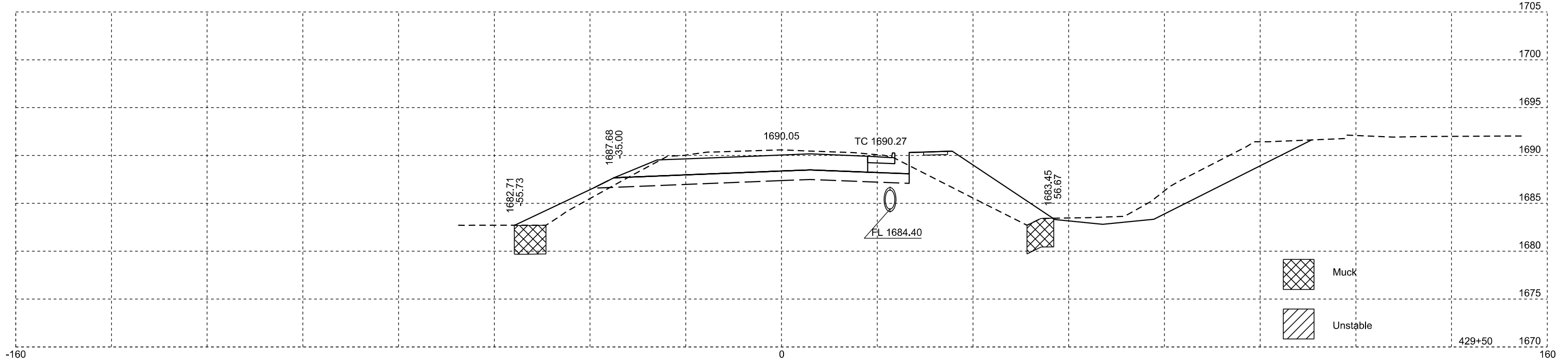
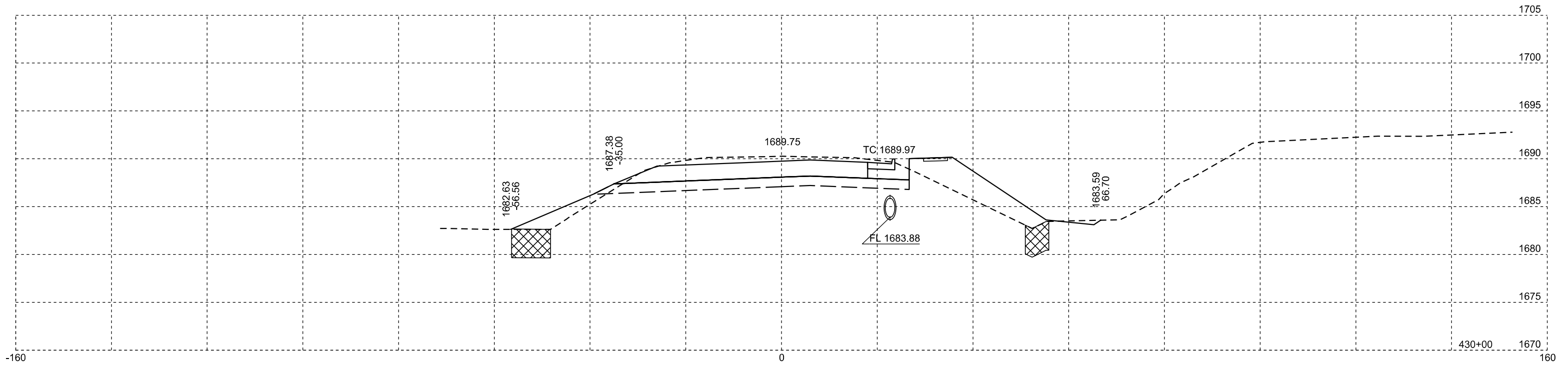
STATE OF SOUTH DAKOTA	PROJECT	SHEET	TOTAL SHEETS
	NH-CR 0034(193)402	X29	X128





STATE OF SOUTH DAKOTA	PROJECT	SHEET	TOTAL SHEETS
	NH-CR 0034(193)402	X30	X128

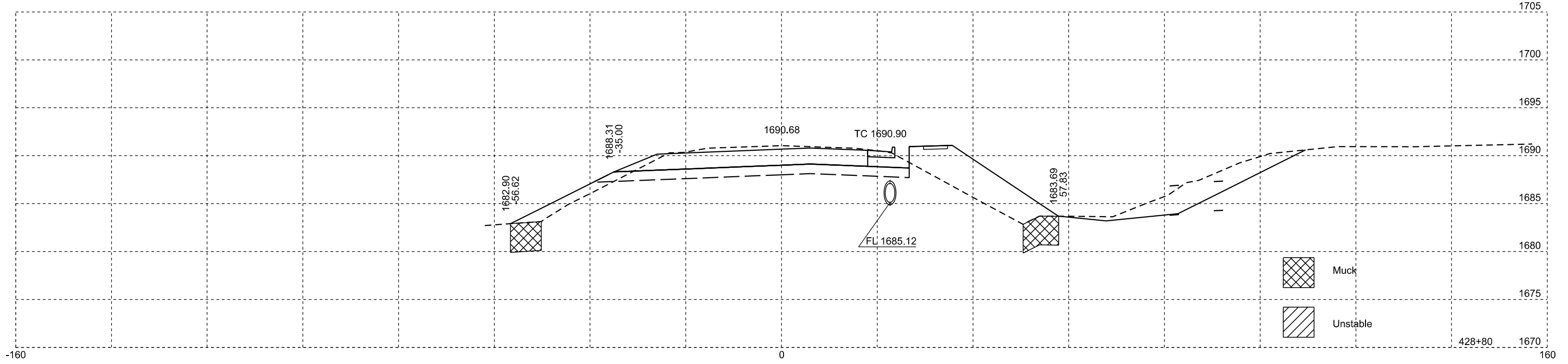
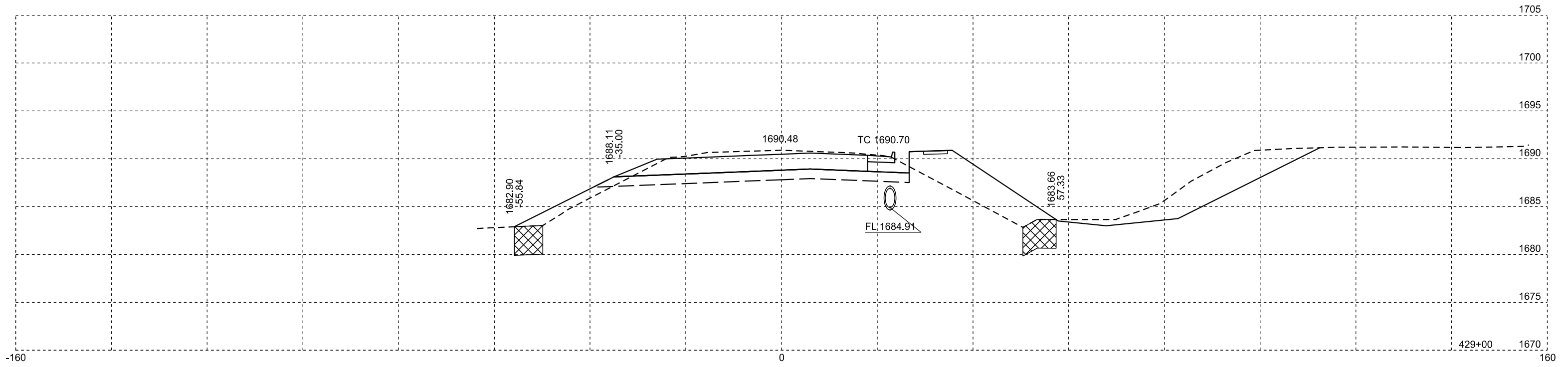


STATE OF SOUTH DAKOTA	PROJECT	SHEET	TOTAL SHEETS
	NH-CR 0034(193)402	X31	X128



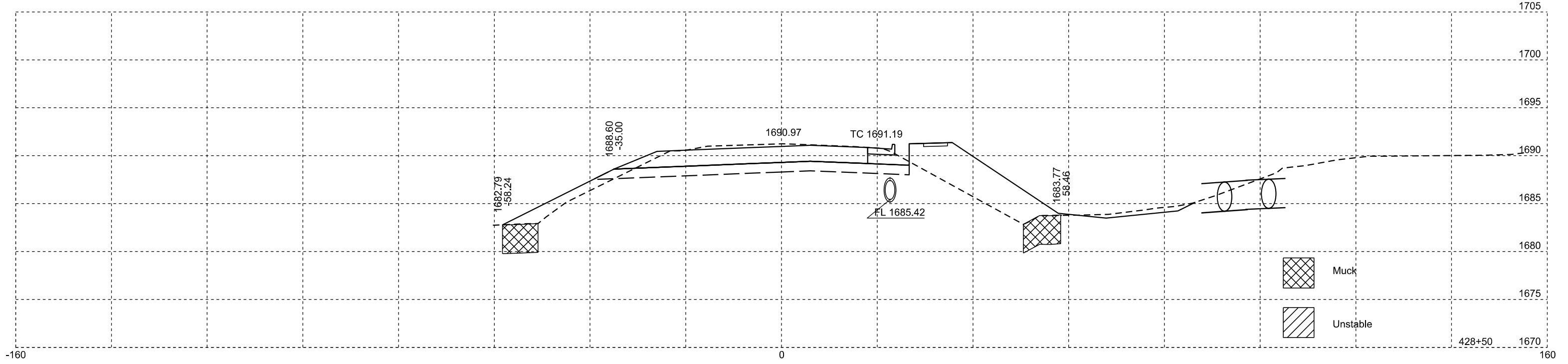
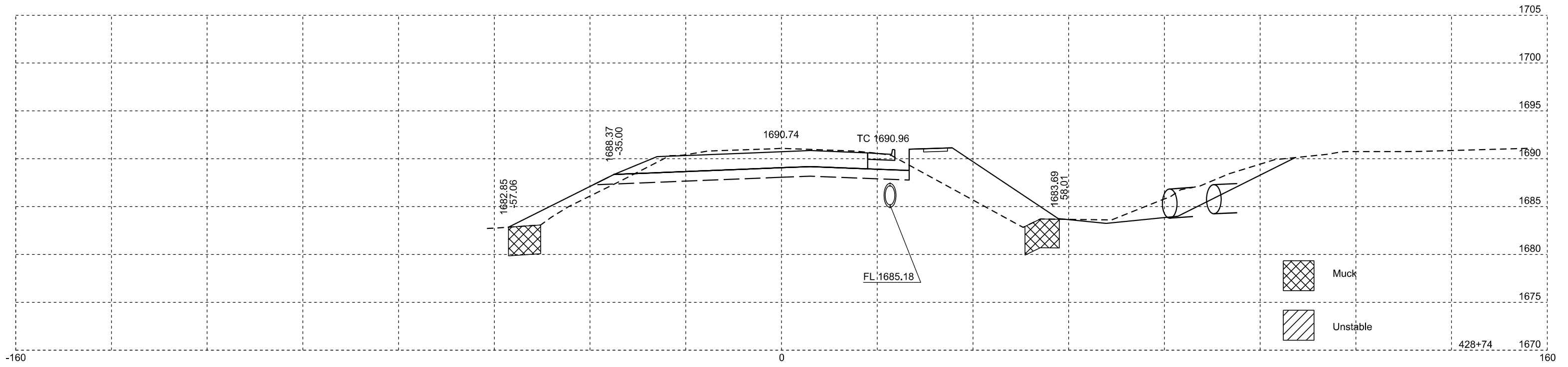
 Muck  
 Unstable

STATE OF SOUTH DAKOTA	PROJECT	SHEET	TOTAL SHEETS
	NH-CR 0034(193)402	X32	X128

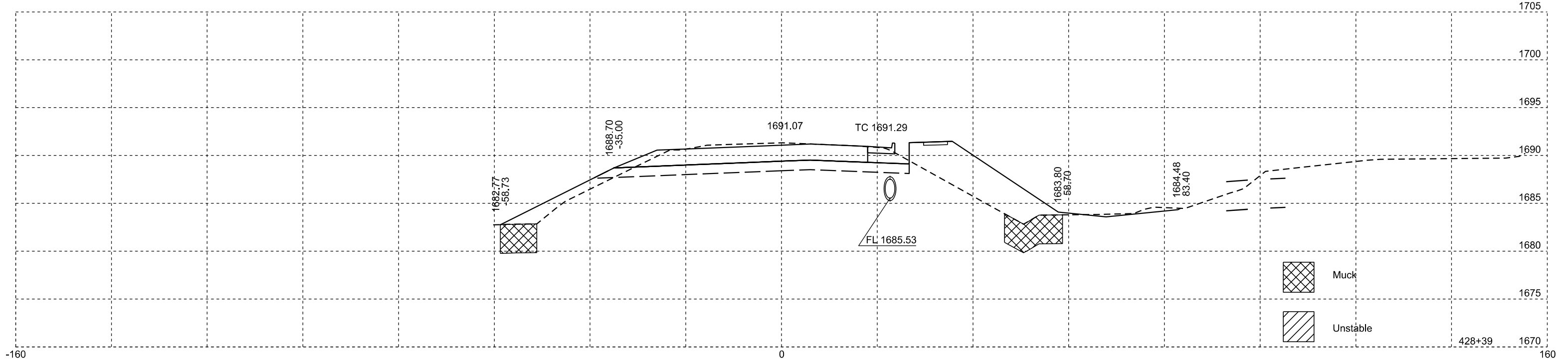
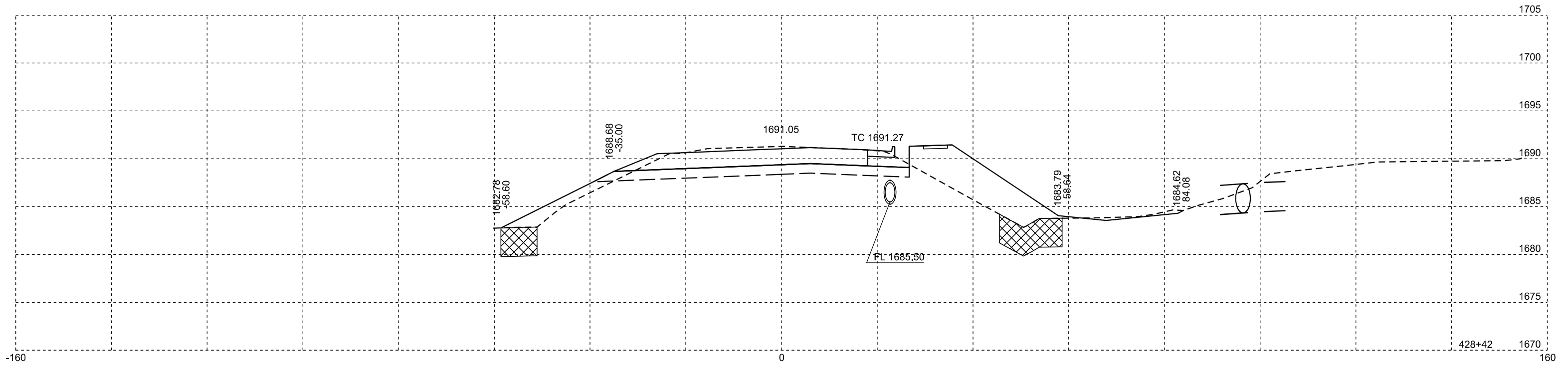




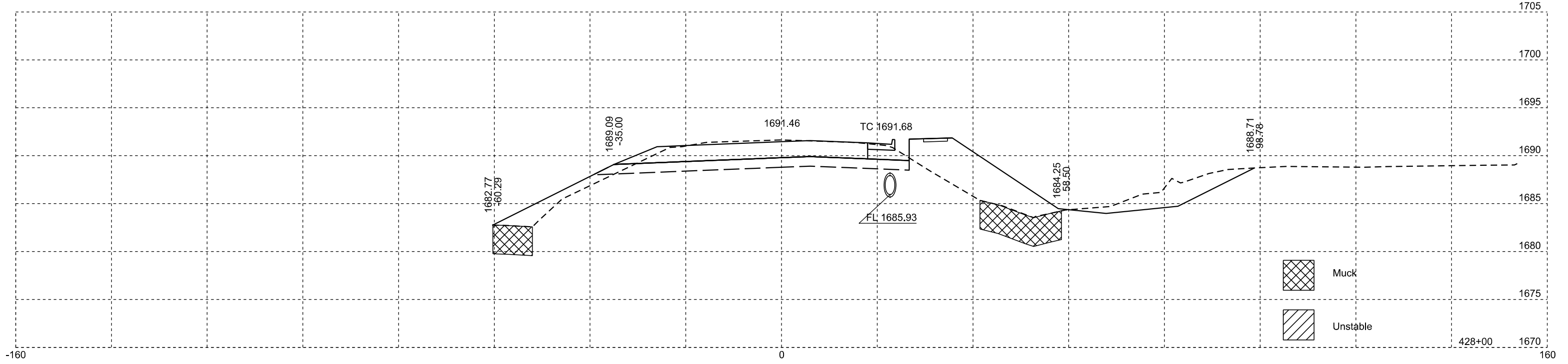
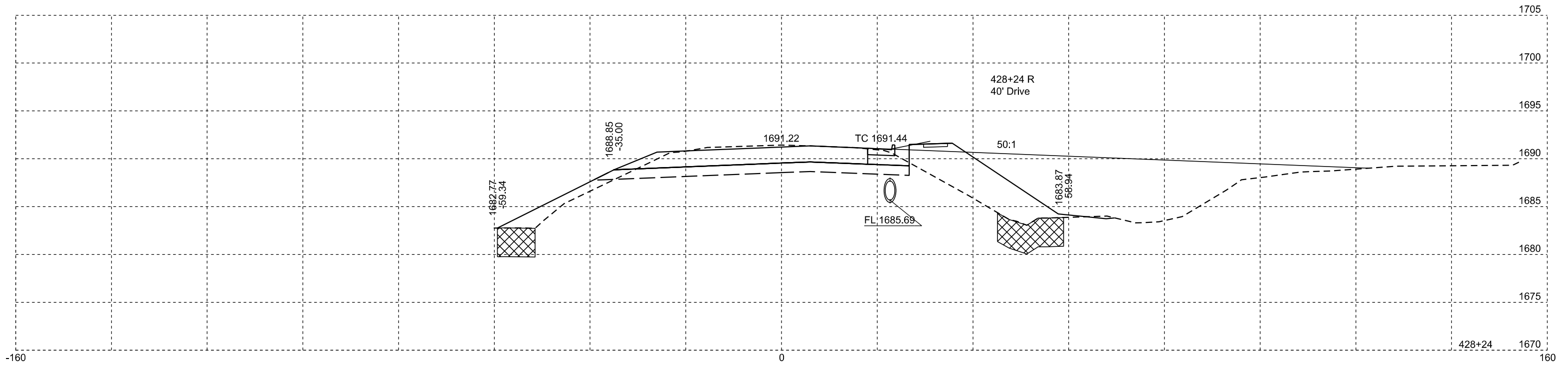
STATE OF SOUTH DAKOTA	PROJECT	SHEET	TOTAL SHEETS
	NH-CR 0034(193)402	X33	X128



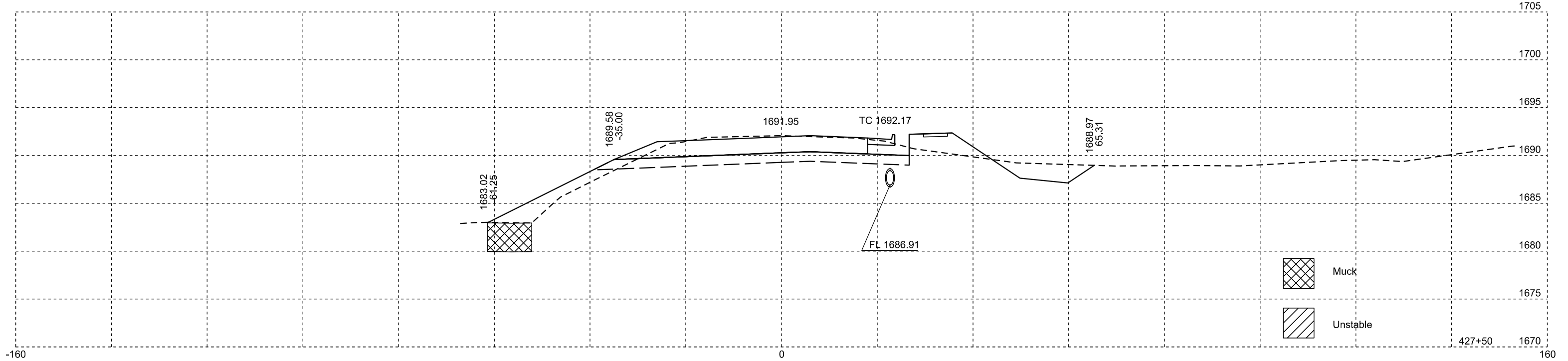
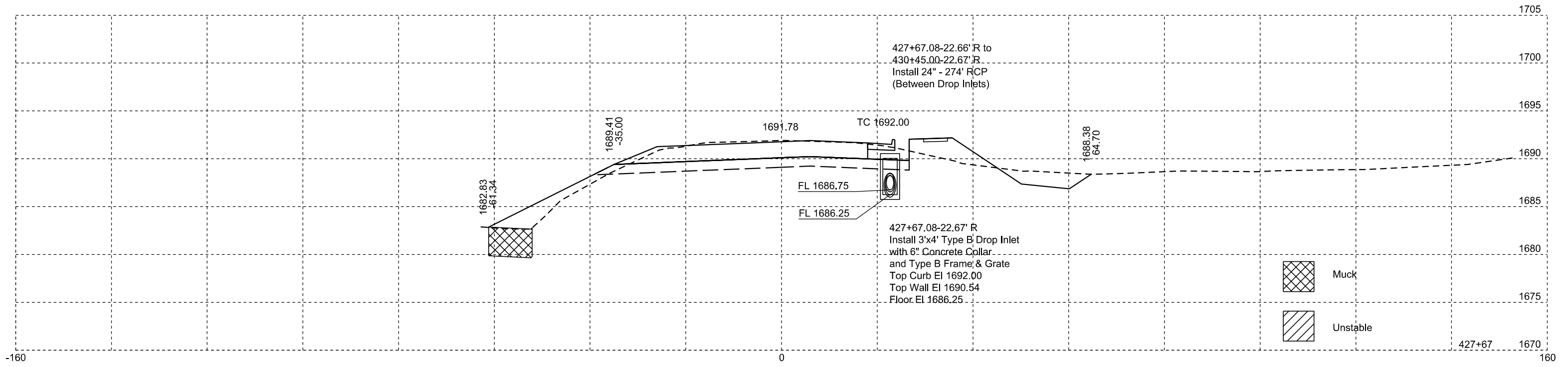
STATE OF SOUTH DAKOTA	PROJECT	SHEET	TOTAL SHEETS
	NH-CR 0034(193)402	X34	X128



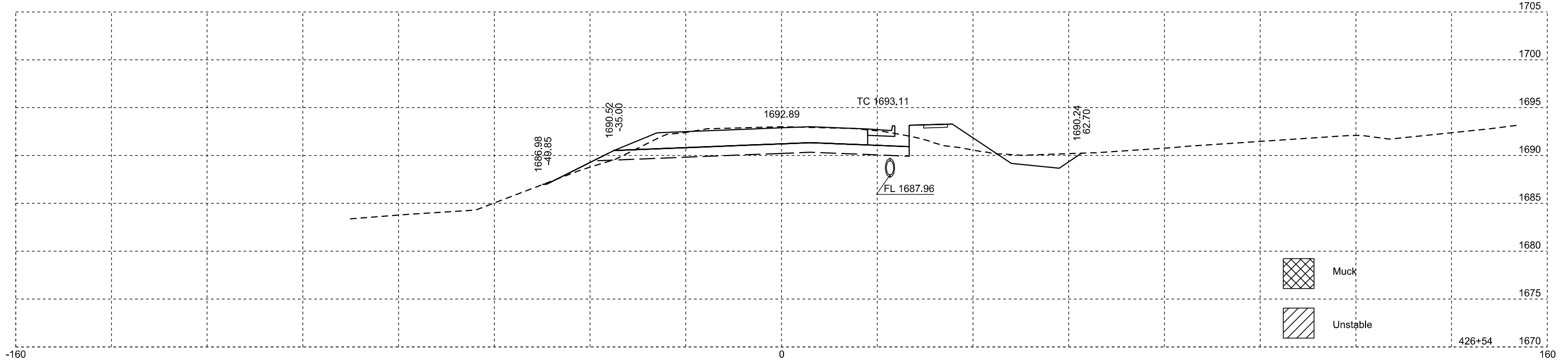
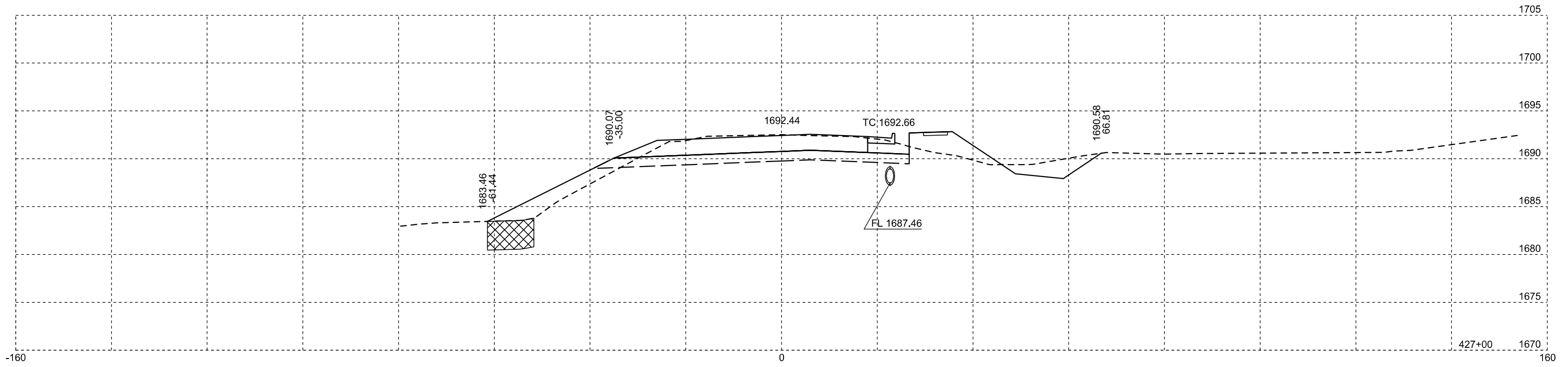
STATE OF SOUTH DAKOTA	PROJECT	SHEET	TOTAL SHEETS
	NH-CR 0034(193)402	X35	X128

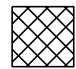
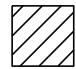


STATE OF SOUTH DAKOTA	PROJECT	SHEET	TOTAL SHEETS
	NH-CR 0034(193)402	X36	X128



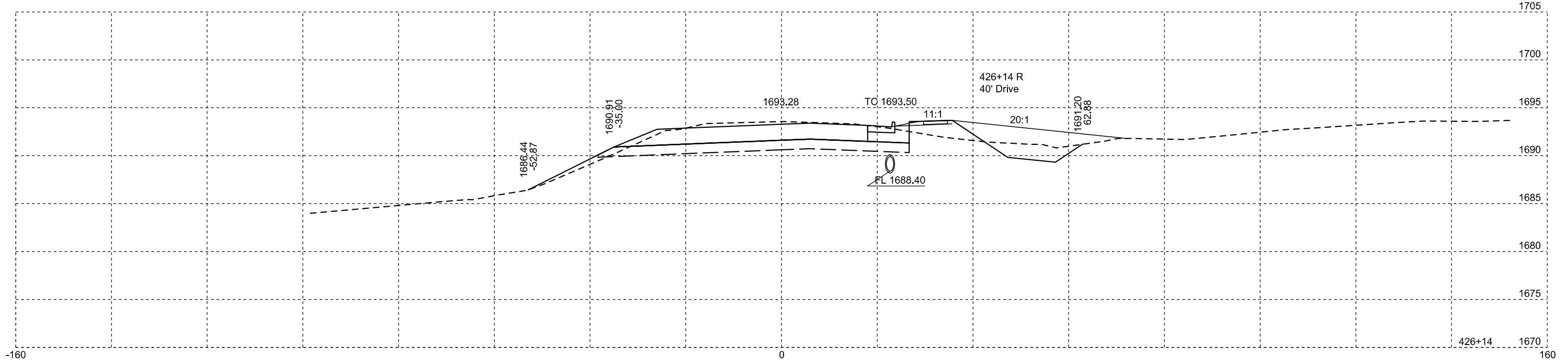
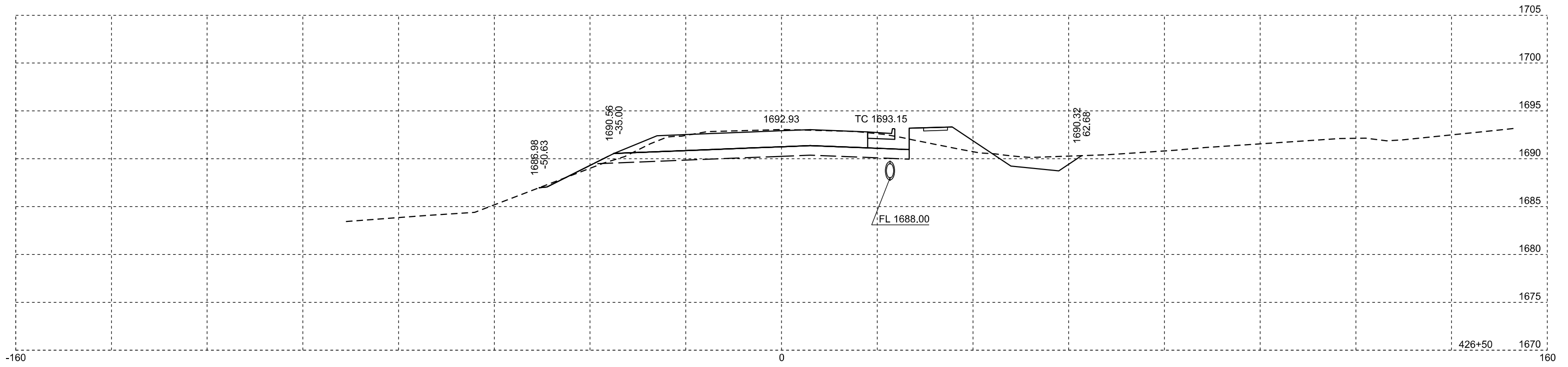
STATE OF SOUTH DAKOTA	PROJECT	SHEET	TOTAL SHEETS
	NH-CR 0034(193)402	X37	X128



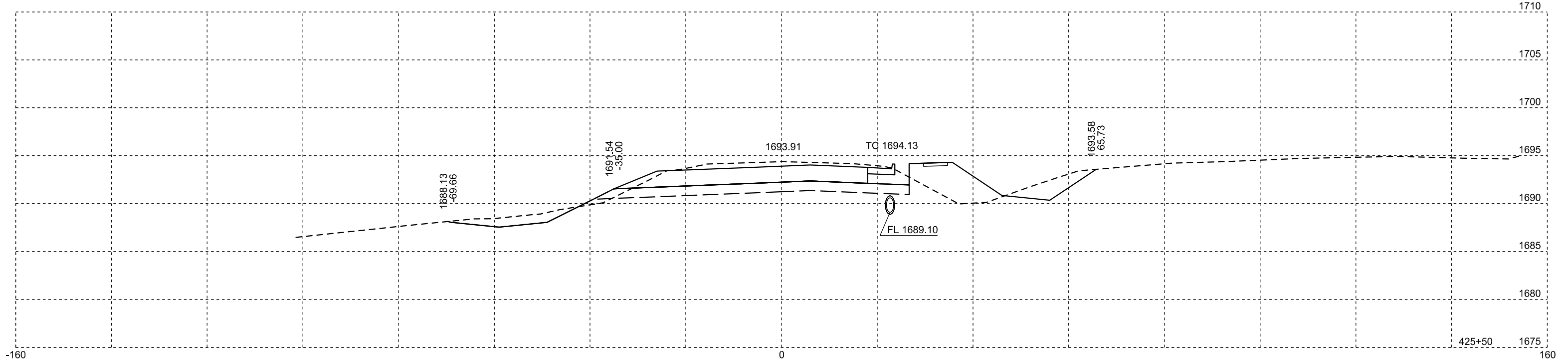
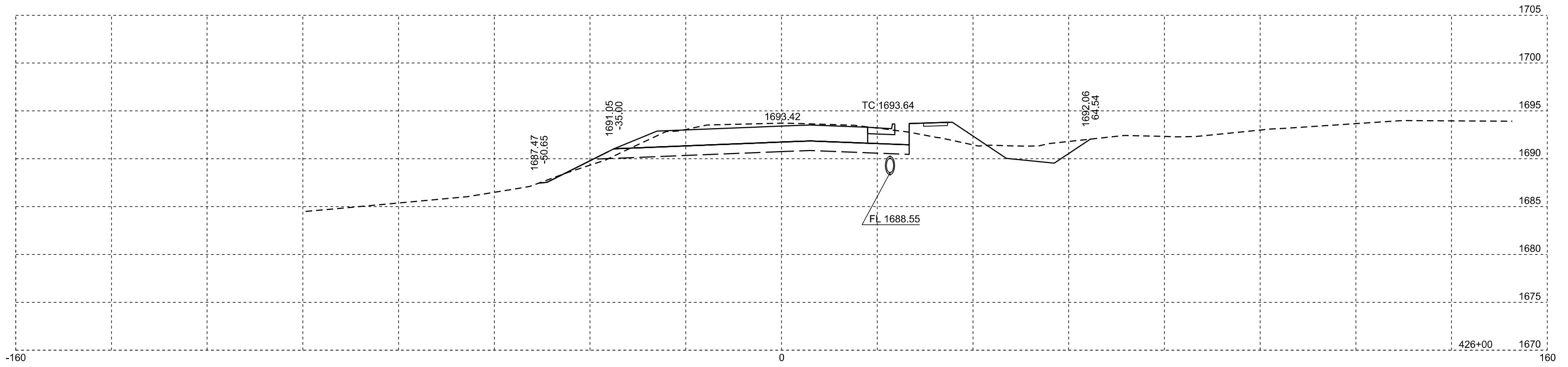
 Muck  
 Unstable

Plotting Date: 08/13/2024

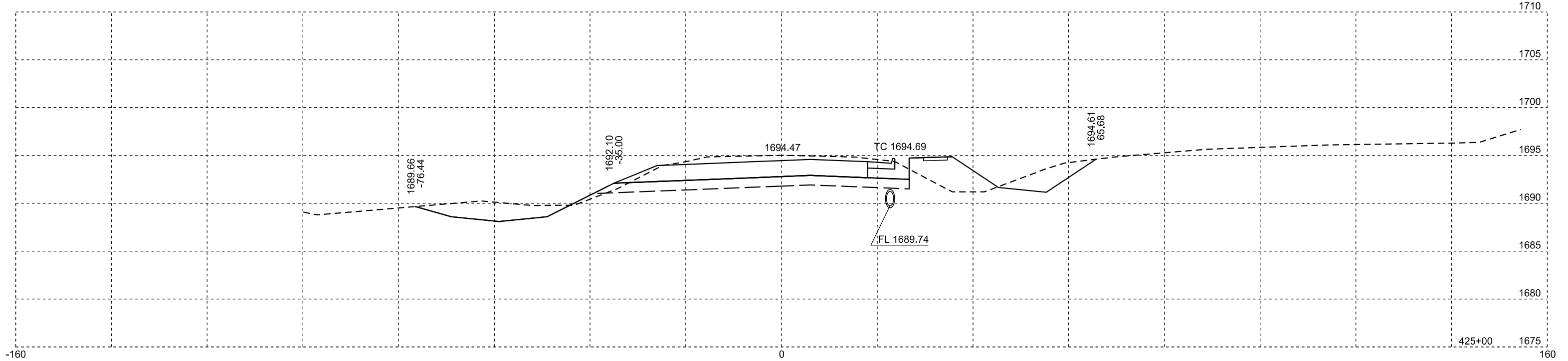
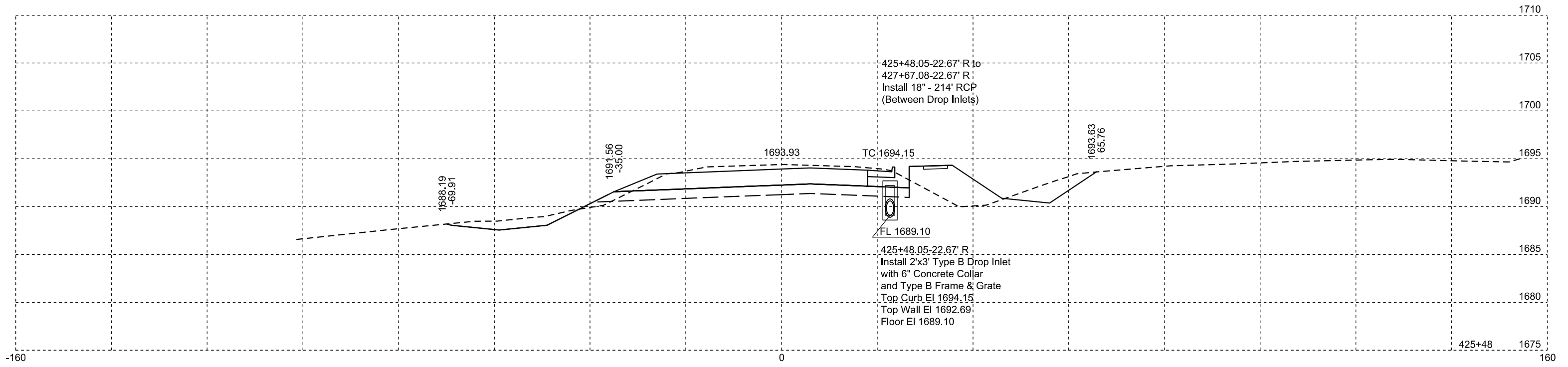
STATE OF SOUTH DAKOTA	PROJECT	SHEET	TOTAL SHEETS
	NH-CR 0034(193)402	X38	X128



STATE OF SOUTH DAKOTA	PROJECT	SHEET	TOTAL SHEETS
	NH-CR 0034(193)402	X39	X128

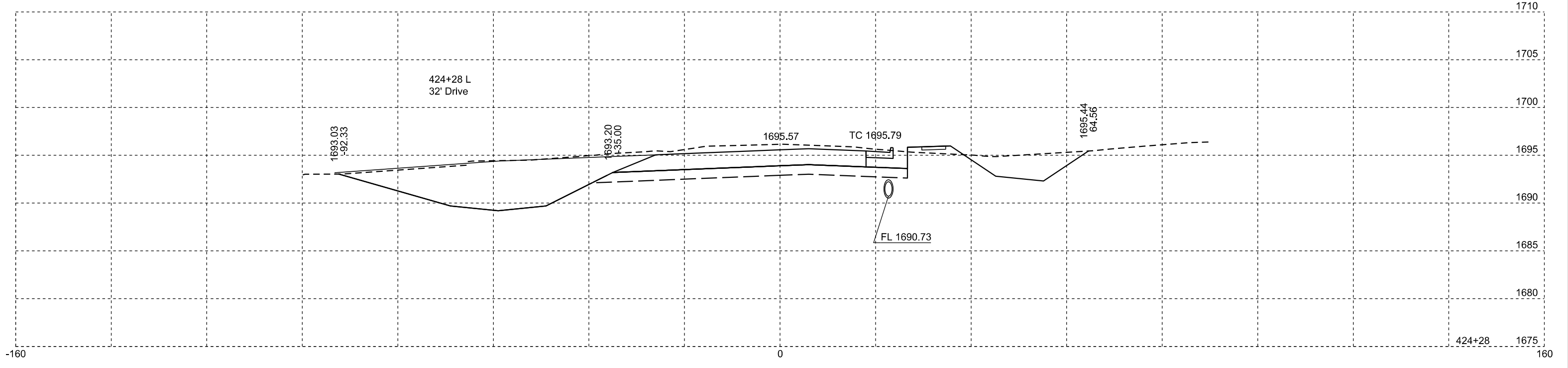
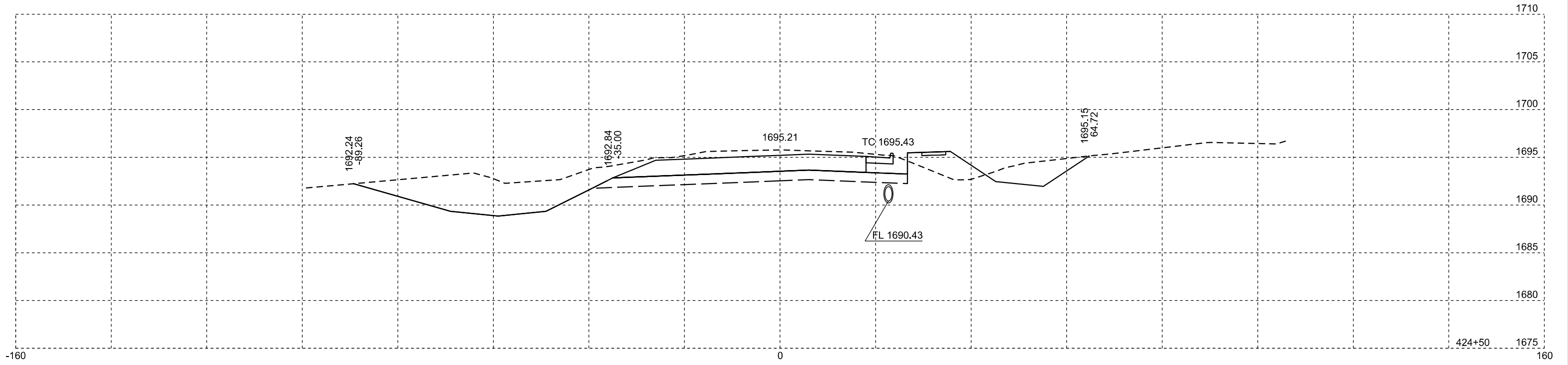


STATE OF SOUTH DAKOTA	PROJECT	SHEET	TOTAL SHEETS
	NH-CR 0034(193)402	X40	X128

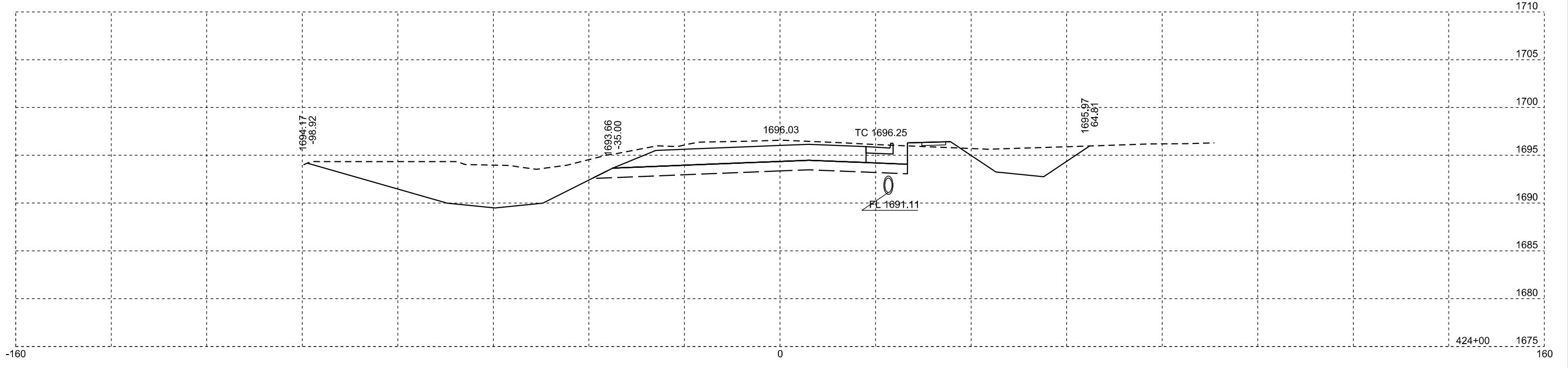
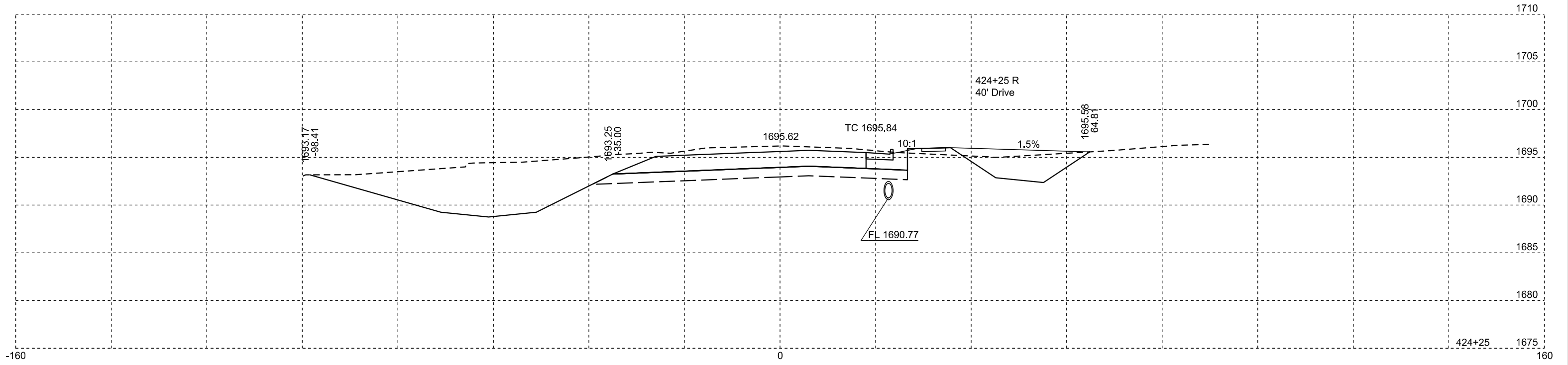




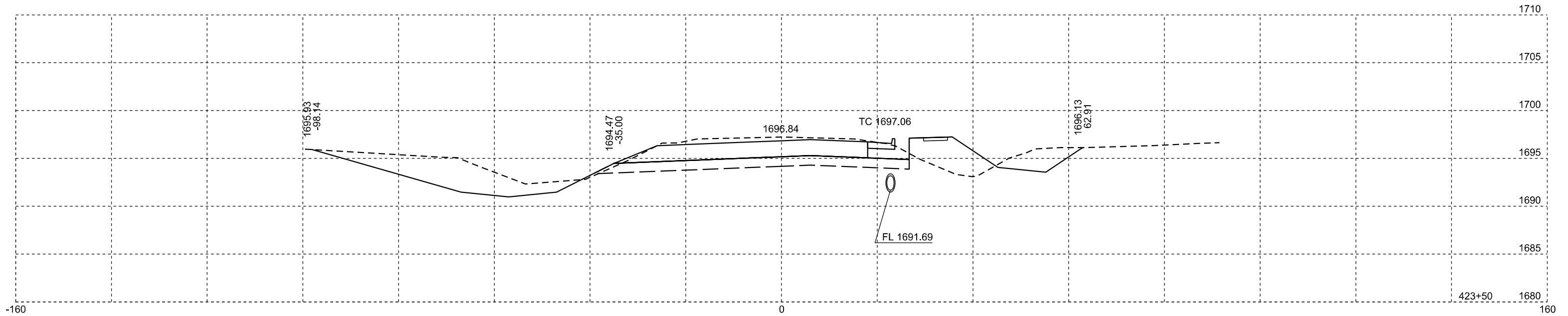
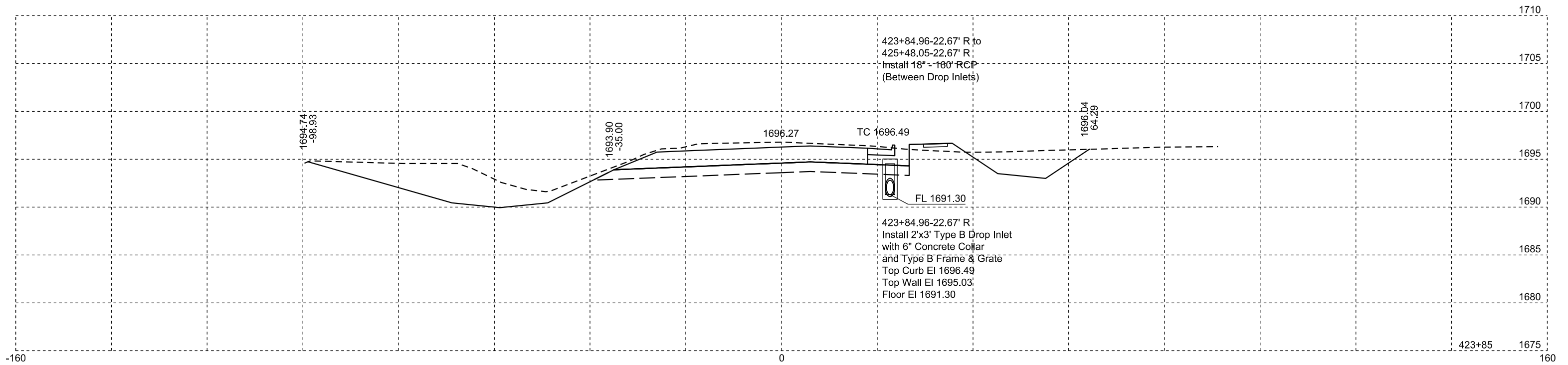
STATE OF SOUTH DAKOTA	PROJECT	SHEET	TOTAL SHEETS
	NH-CR 0034(193)402	X41	X128



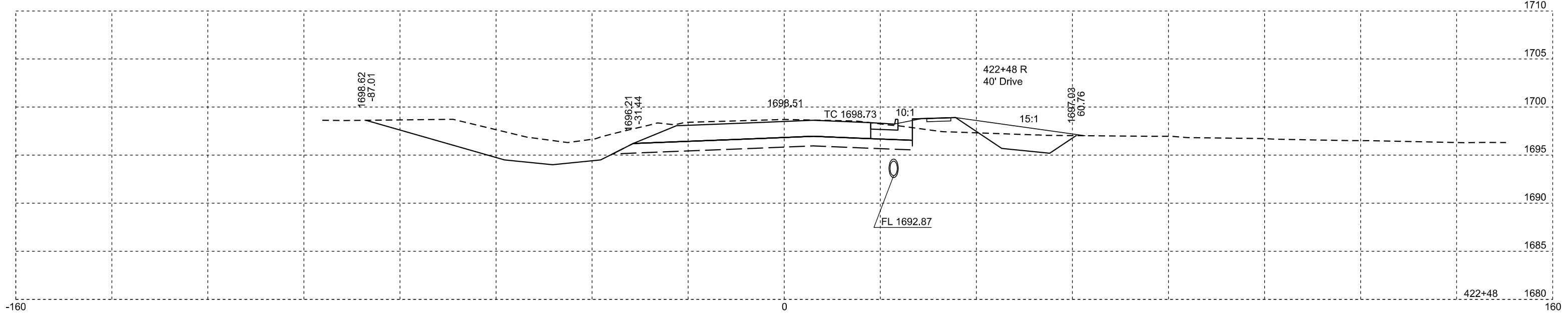
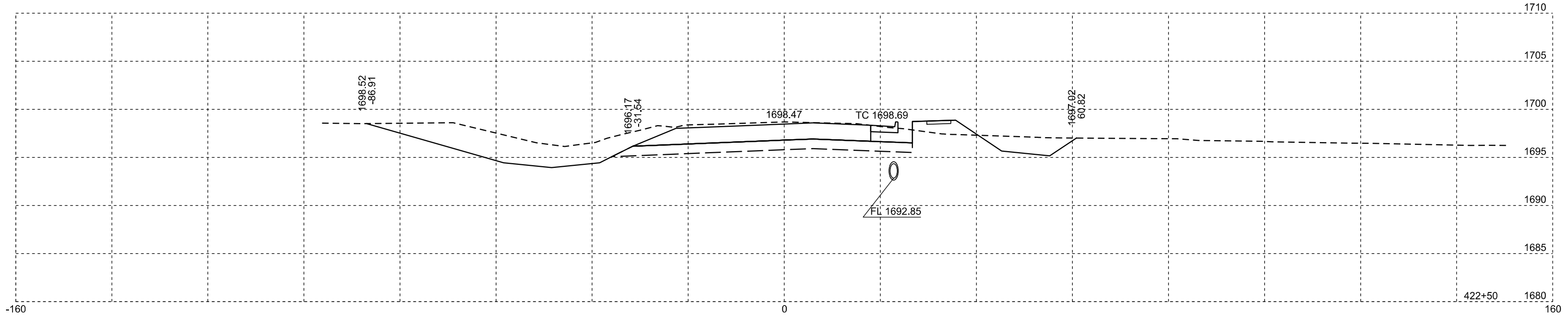
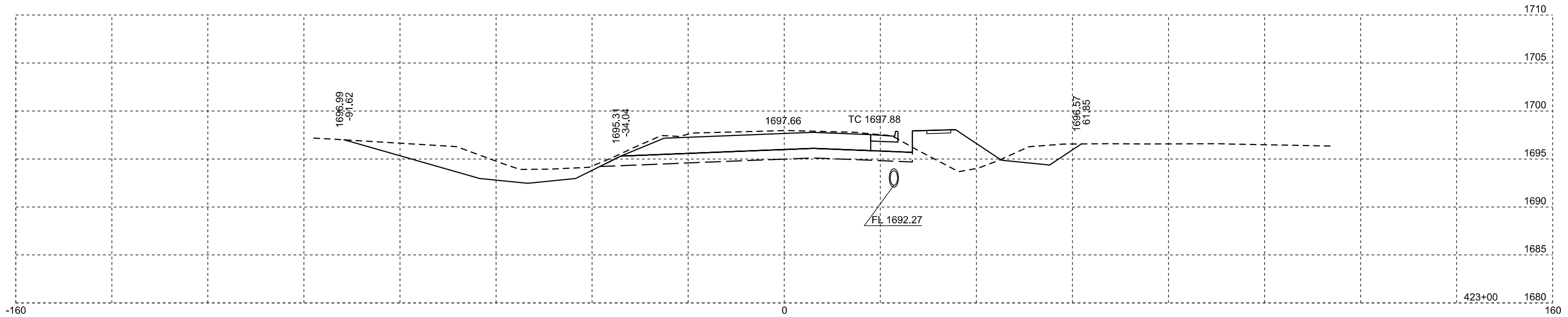
STATE OF SOUTH DAKOTA	PROJECT	SHEET	TOTAL SHEETS
	NH-CR 0034(193)402	X42	X128



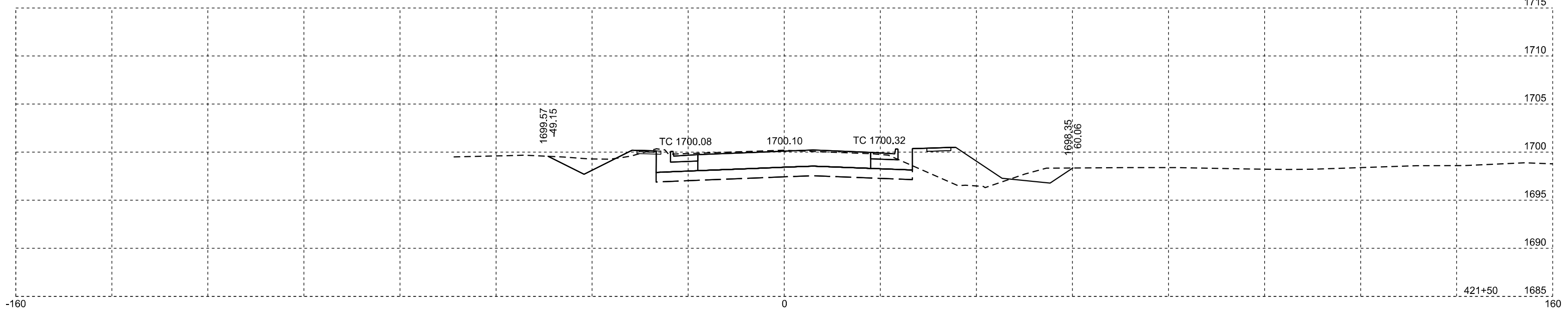
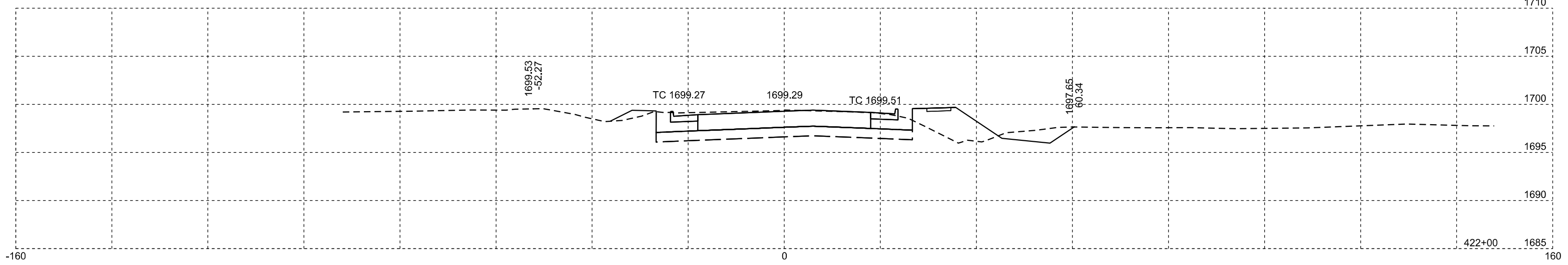
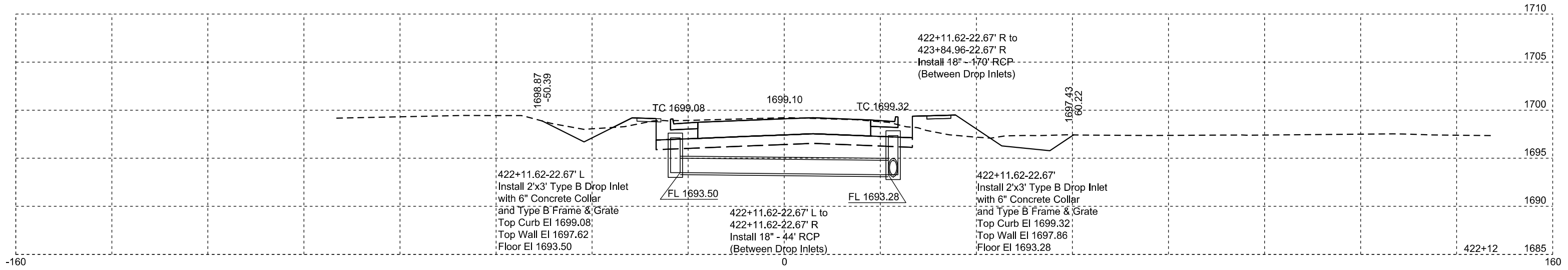
STATE OF SOUTH DAKOTA	PROJECT	SHEET	TOTAL SHEETS
	NH-CR 0034(193)402	X43	X128



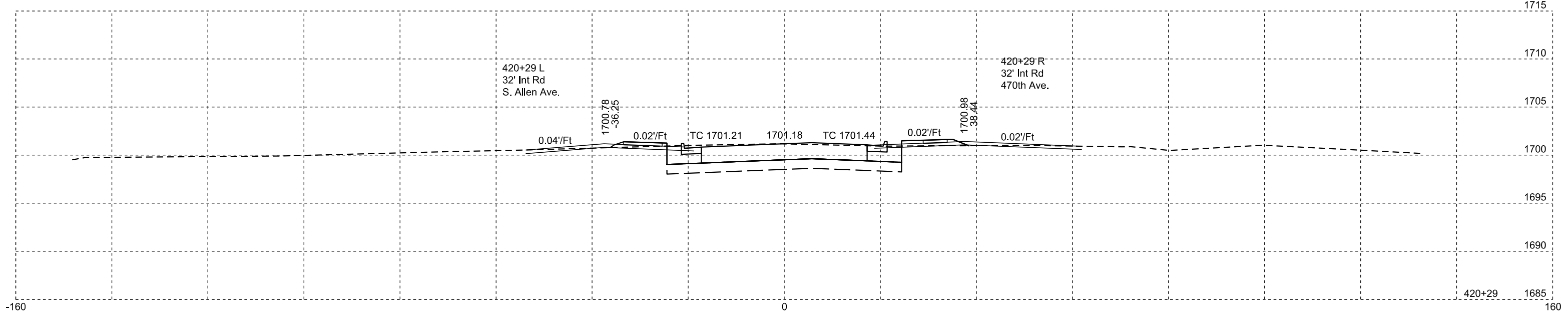
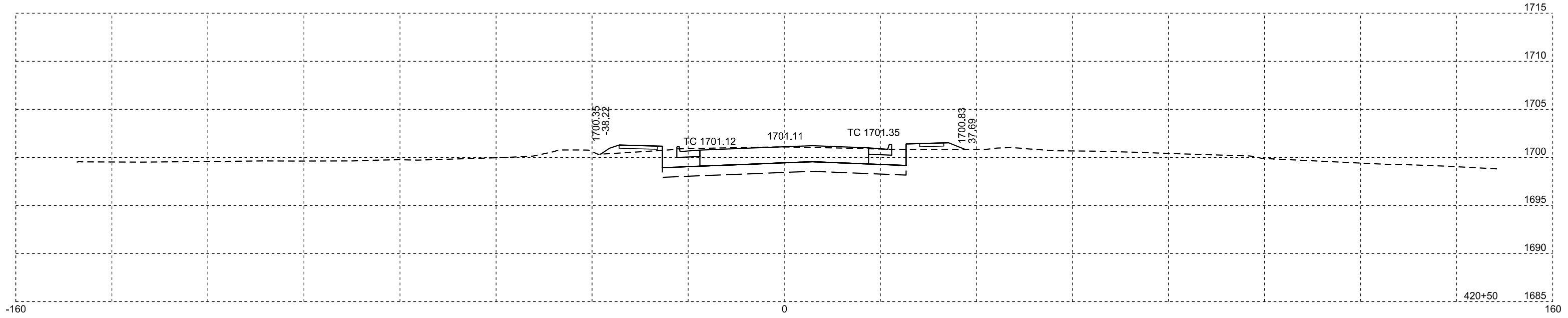
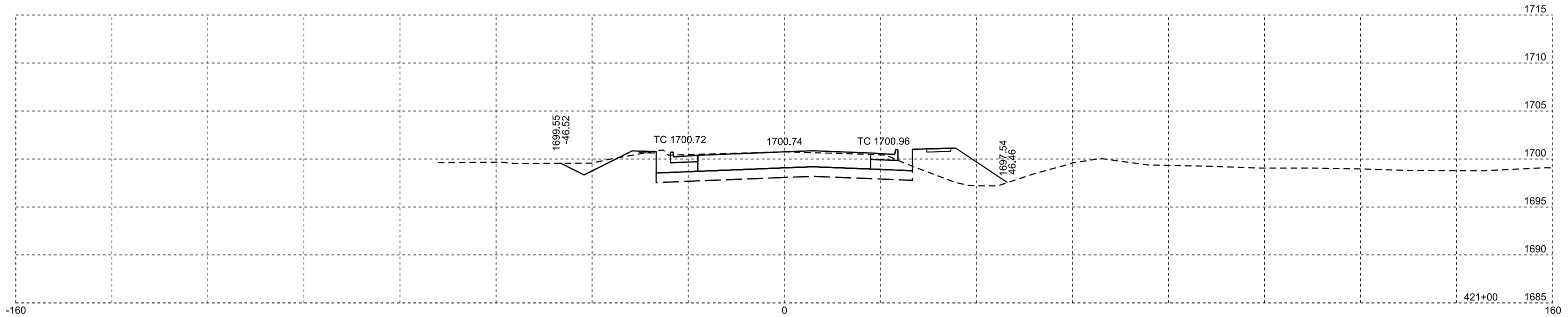
STATE OF SOUTH DAKOTA	PROJECT	SHEET	TOTAL SHEETS
	NH-CR 0034(193)402	X44	X128



STATE OF SOUTH DAKOTA	PROJECT	SHEET	TOTAL SHEETS
	NH-CR 0034(193)402	X45	X128

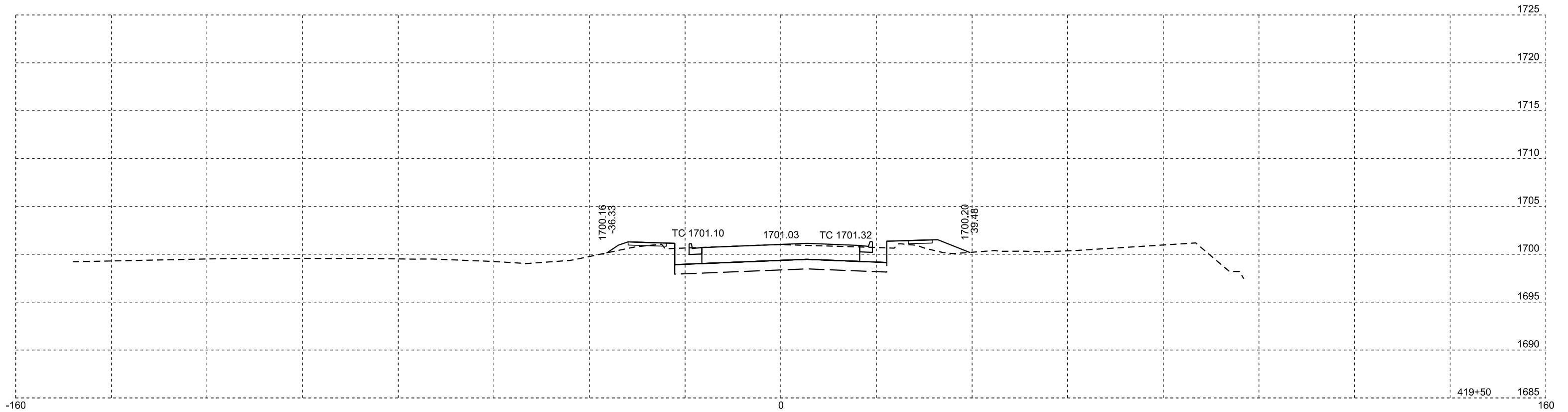
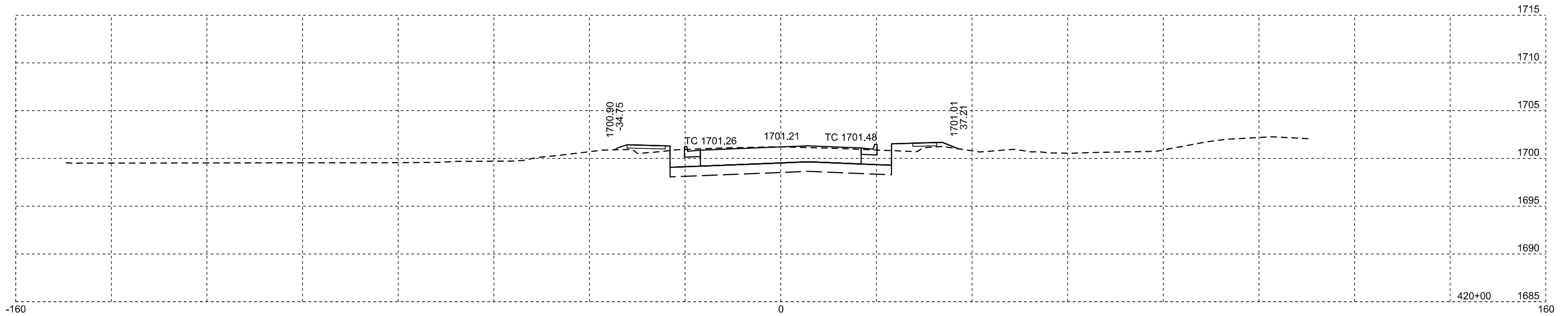


STATE OF SOUTH DAKOTA	PROJECT	SHEET	TOTAL SHEETS
	NH-CR 0034(193)402	X46	X128



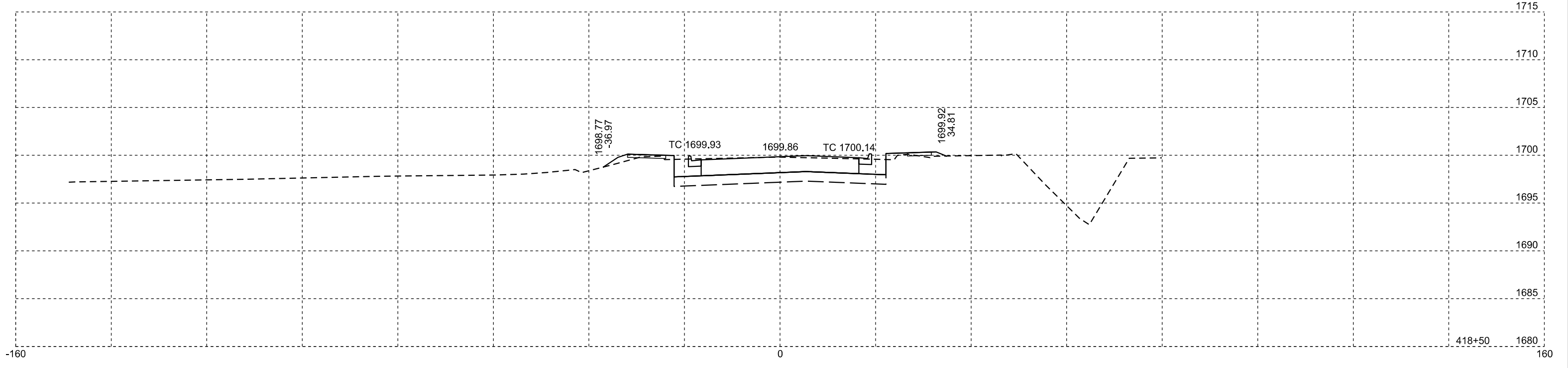
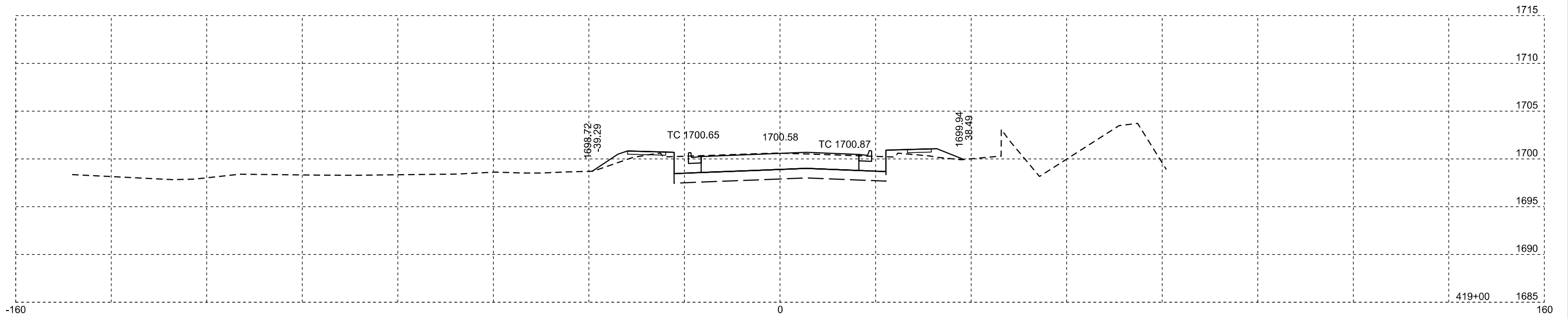
Plotting Date: 08/13/2024

STATE OF SOUTH DAKOTA	PROJECT	SHEET	TOTAL SHEETS
	NH-CR 0034(193)402	X47	X128



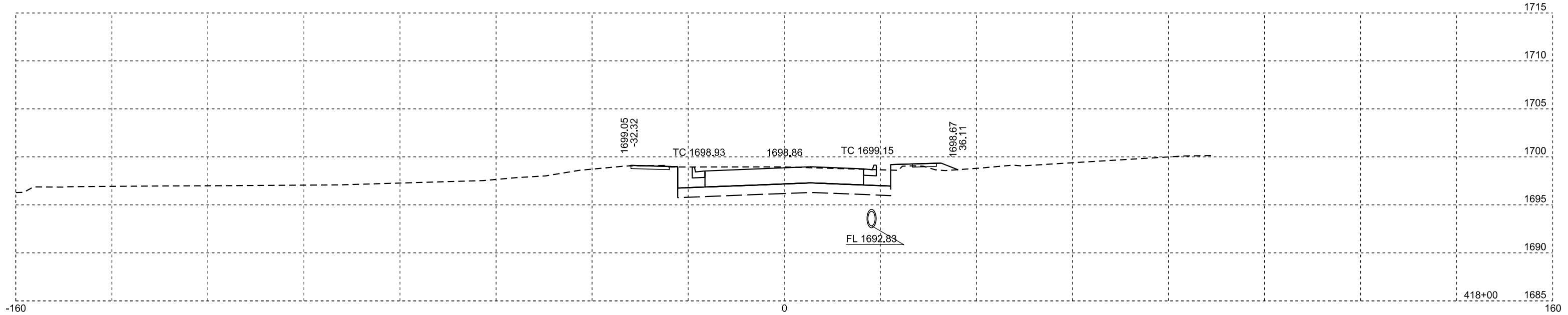
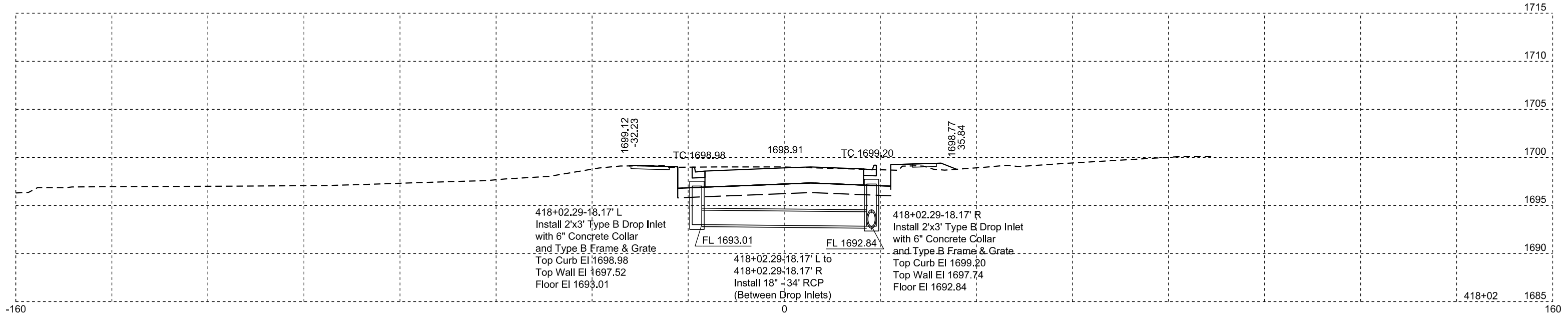
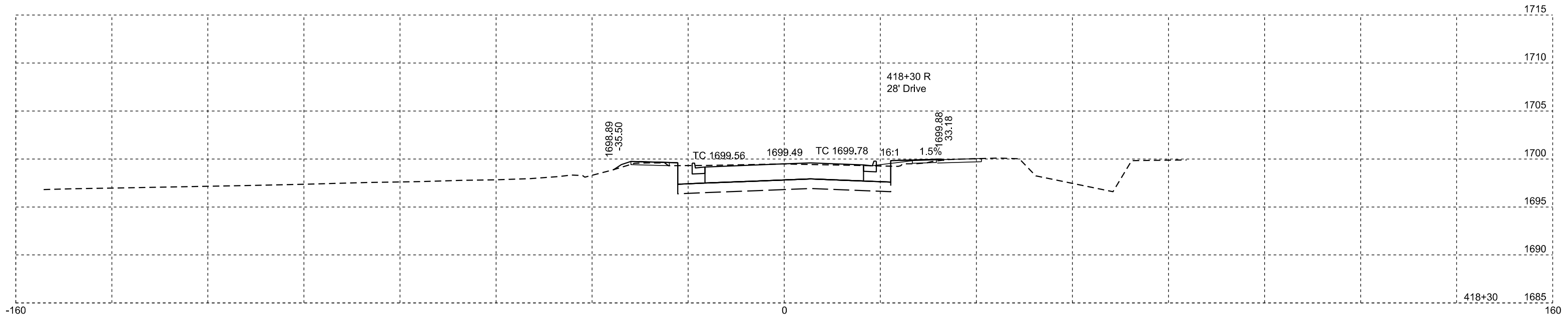
Plotting Date: 08/13/2024

STATE OF SOUTH DAKOTA	PROJECT	SHEET	TOTAL SHEETS
	NH-CR 0034(193)402	X48	X128

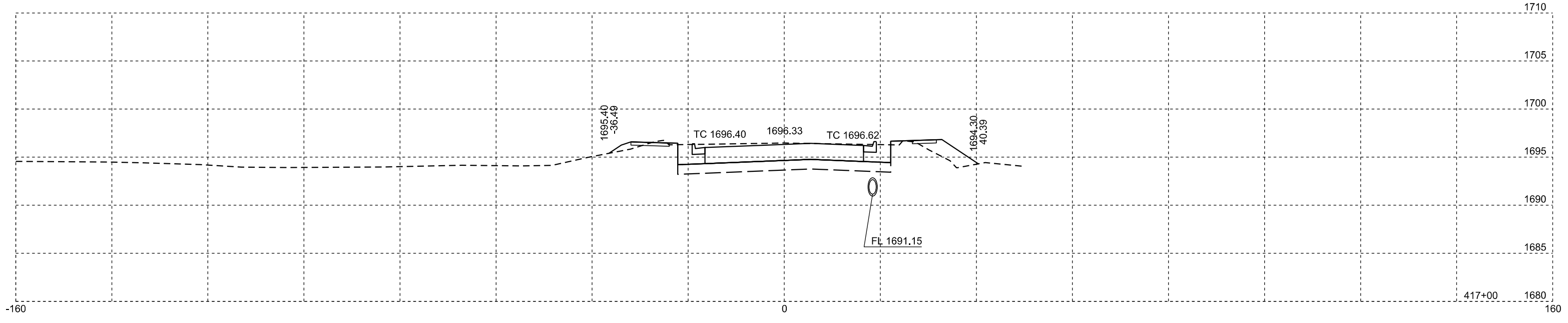
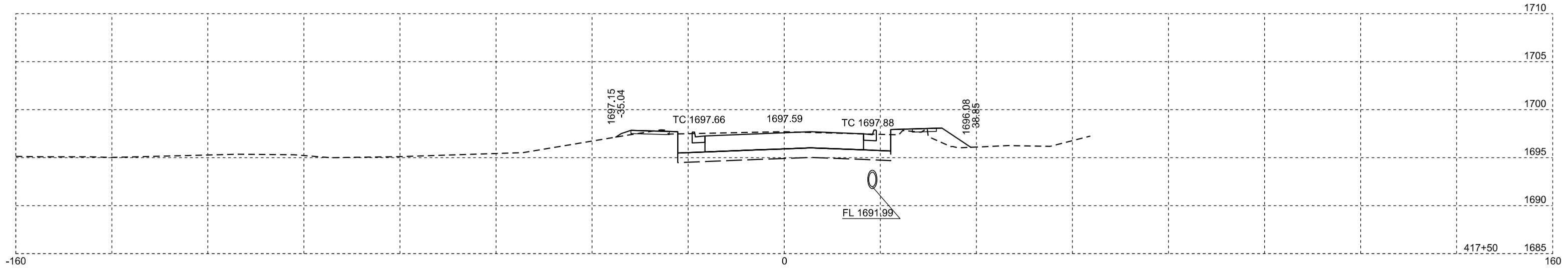
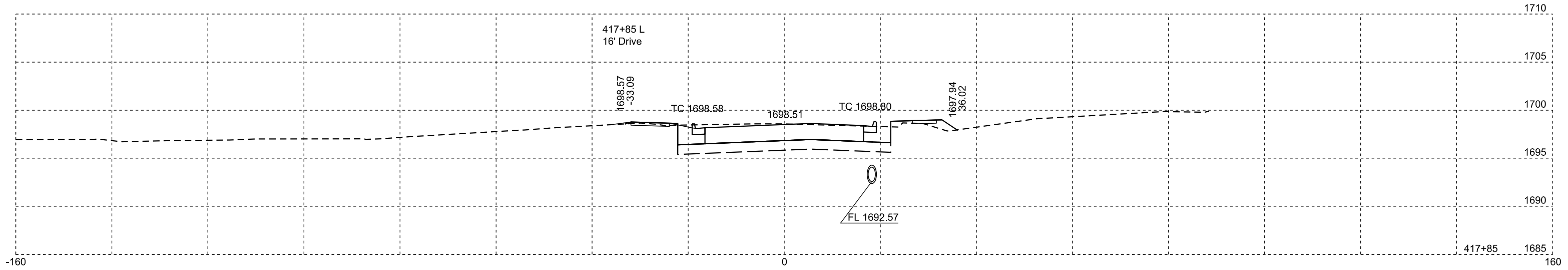




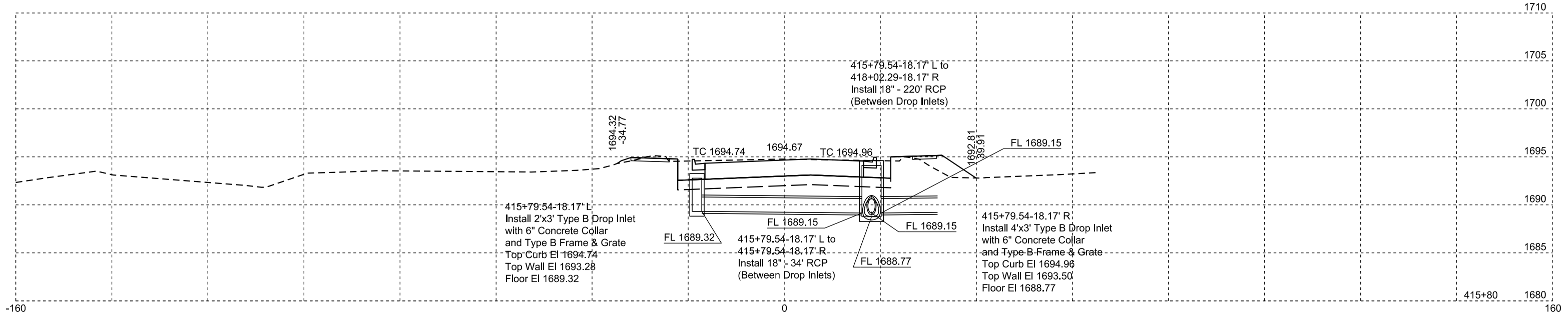
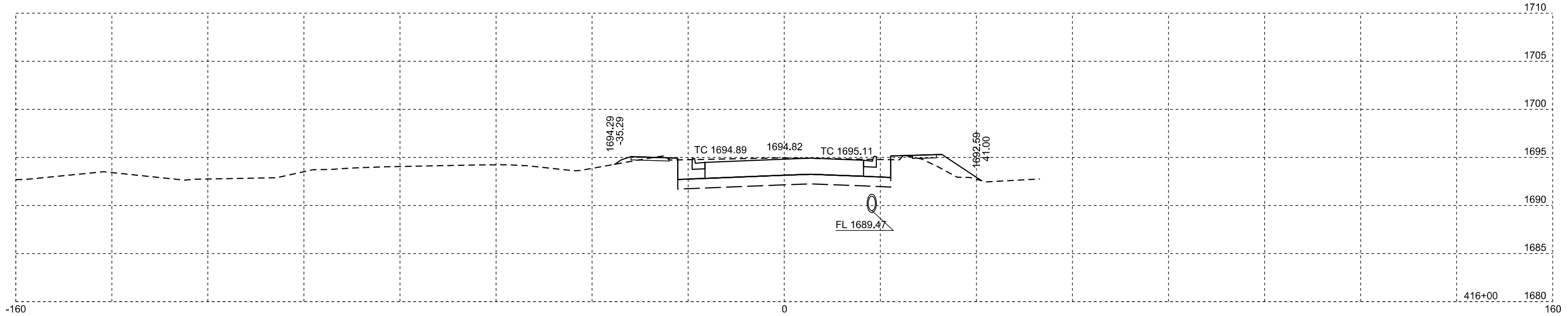
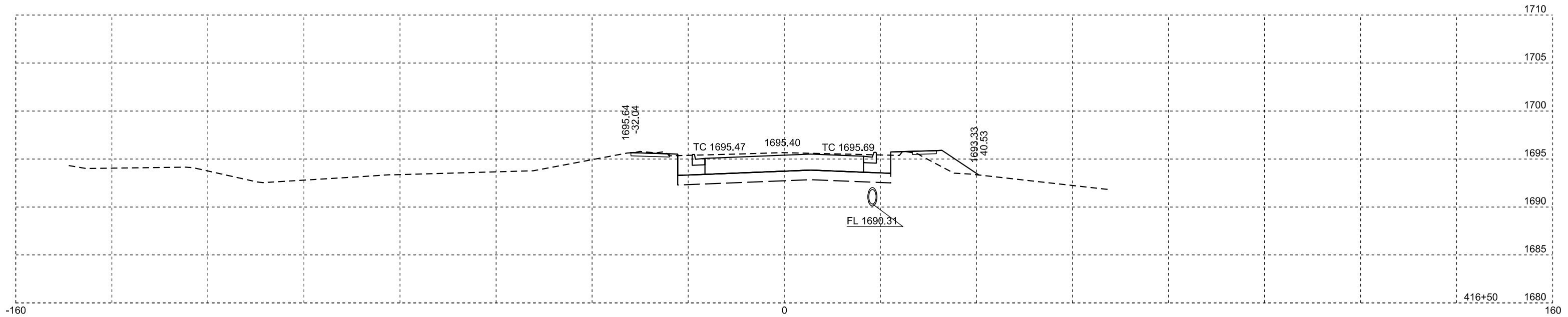
STATE OF SOUTH DAKOTA	PROJECT	SHEET	TOTAL SHEETS
	NH-CR 0034(193)402	X49	X128



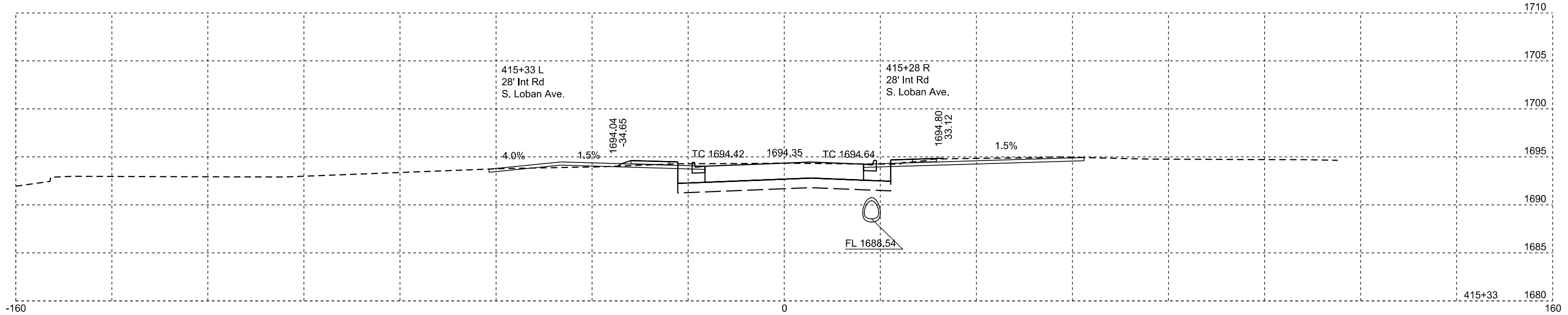
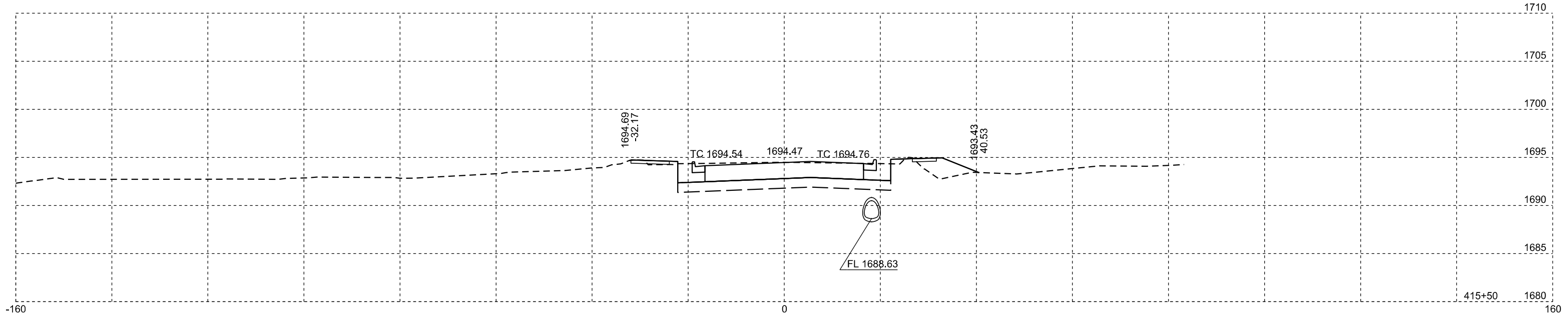
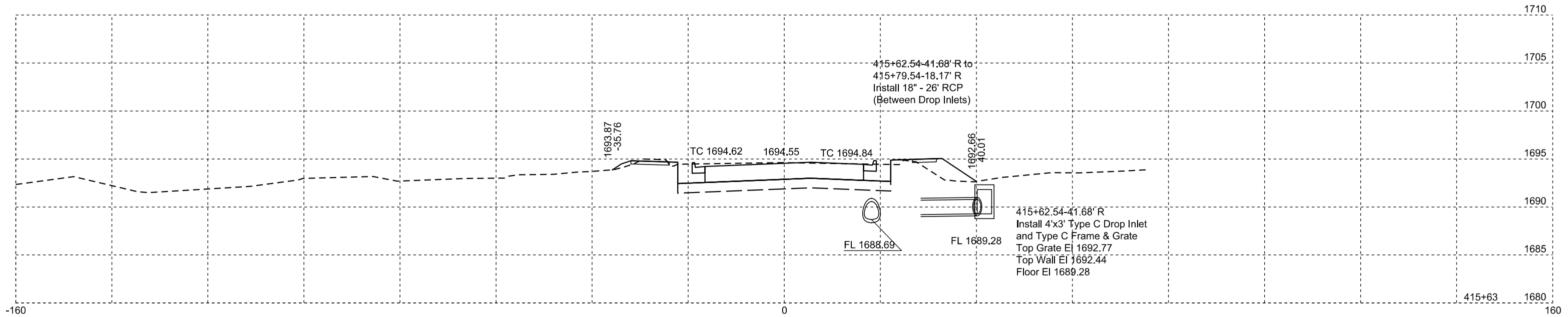
STATE OF SOUTH DAKOTA	PROJECT	SHEET	TOTAL SHEETS
	NH-CR 0034(193)402	X50	X128



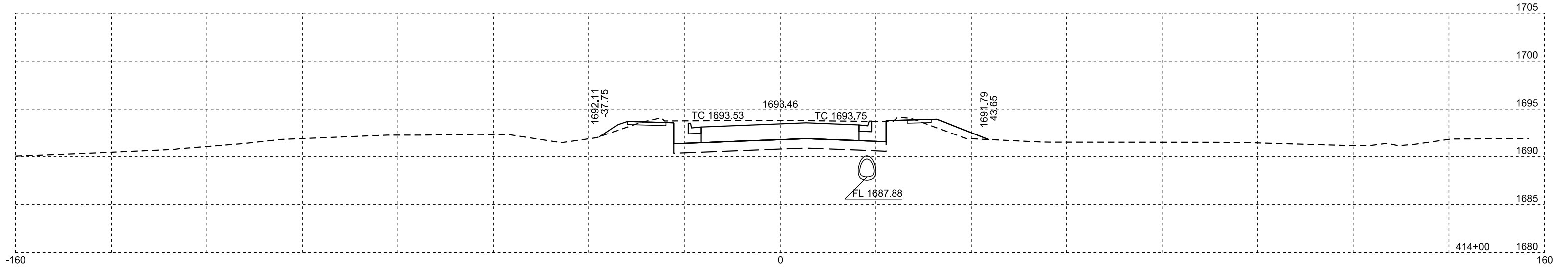
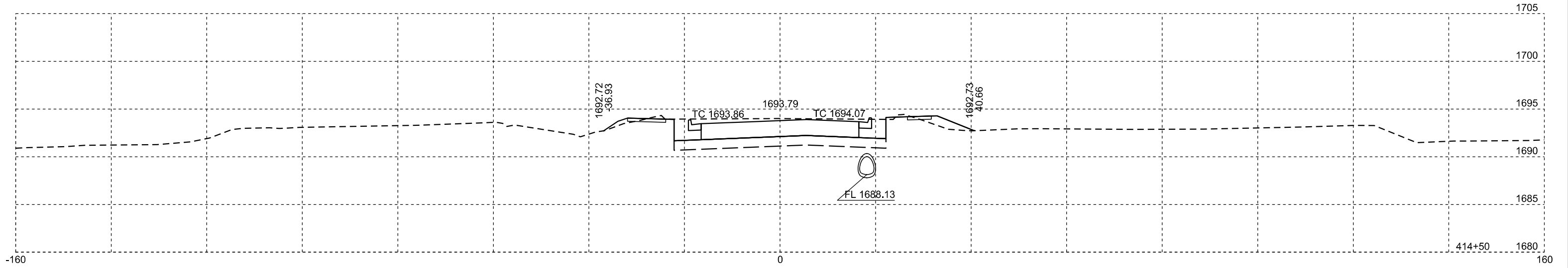
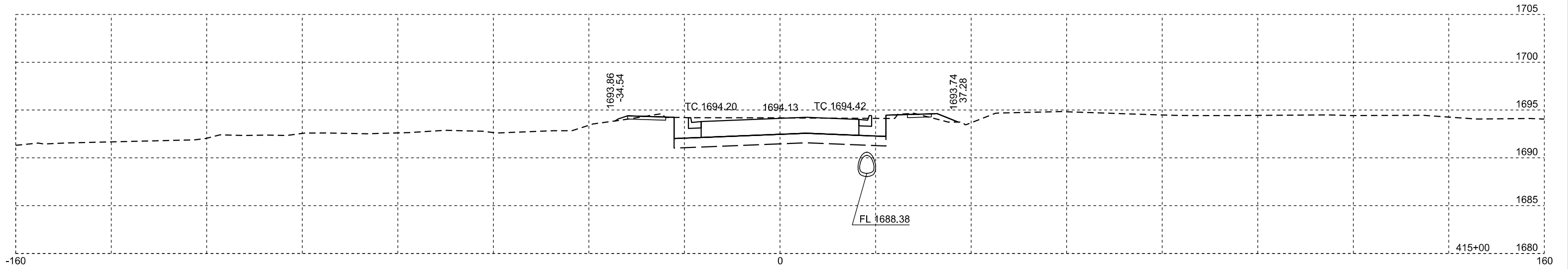
STATE OF SOUTH DAKOTA	PROJECT	SHEET	TOTAL SHEETS
	NH-CR 0034(193)402	X51	X128



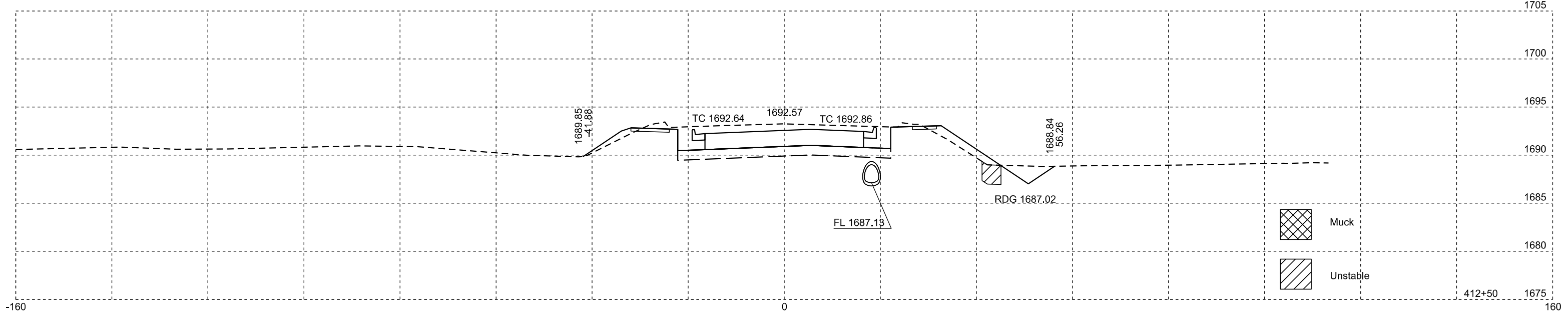
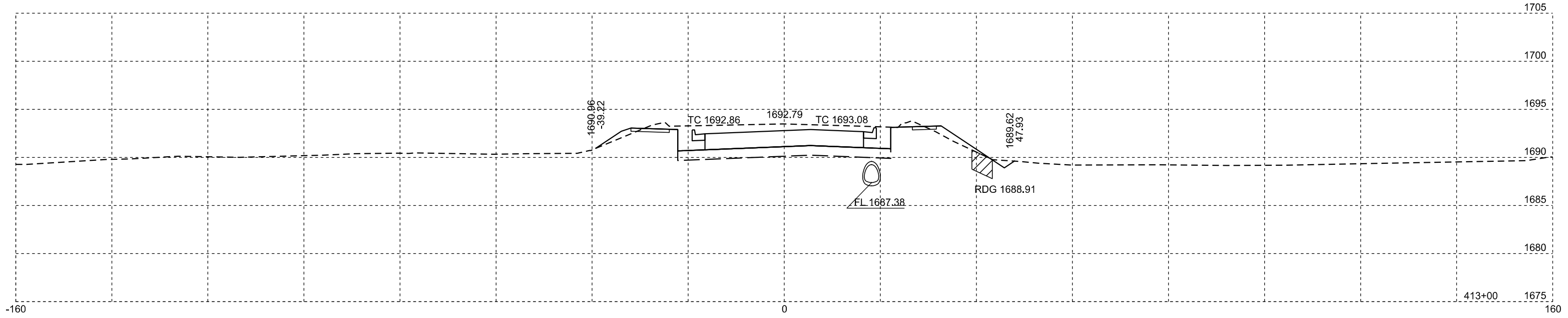
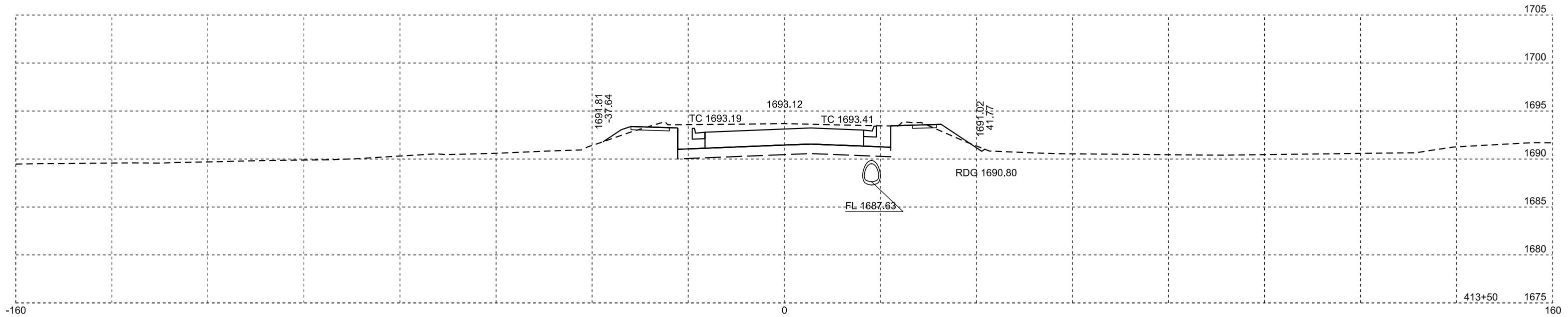
STATE OF SOUTH DAKOTA	PROJECT	SHEET	TOTAL SHEETS
	NH-CR 0034(193)402	X52	X128



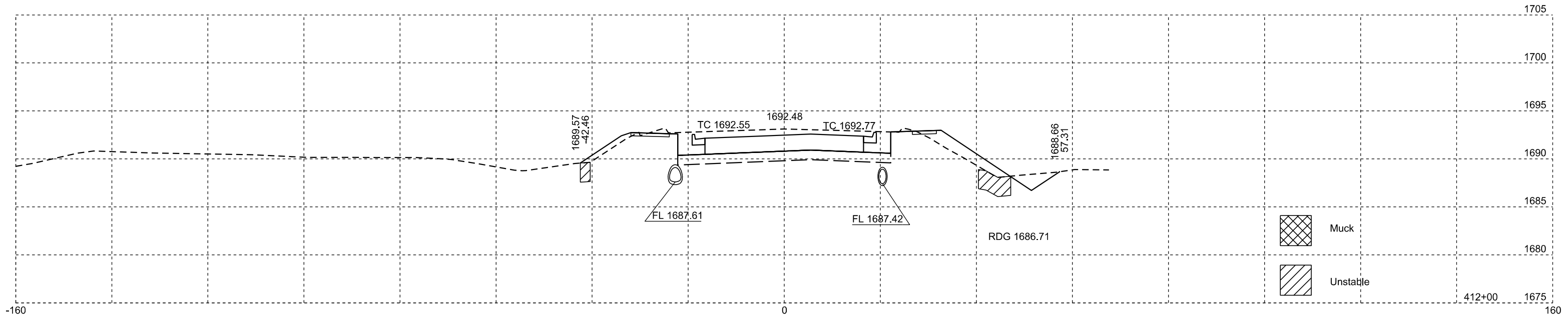
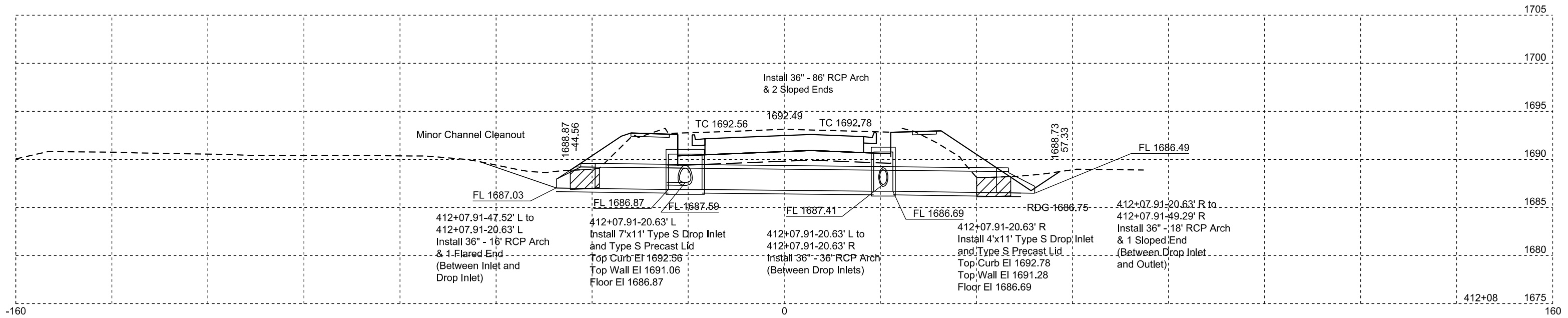
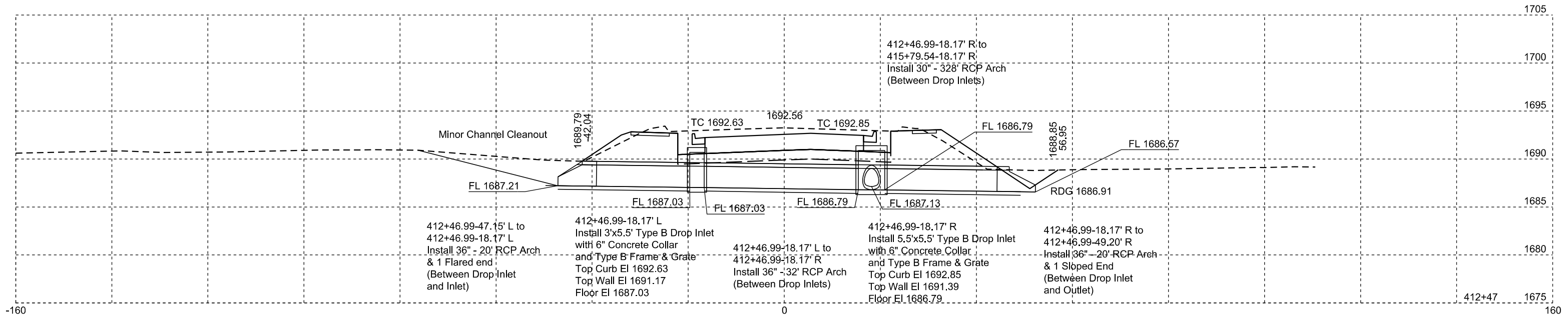
STATE OF SOUTH DAKOTA	PROJECT	SHEET	TOTAL SHEETS
	NH-CR 0034(193)402	X53	X128

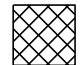
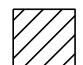


STATE OF SOUTH DAKOTA	PROJECT	SHEET	TOTAL SHEETS
	NH-CR 0034(193)402	X54	X128

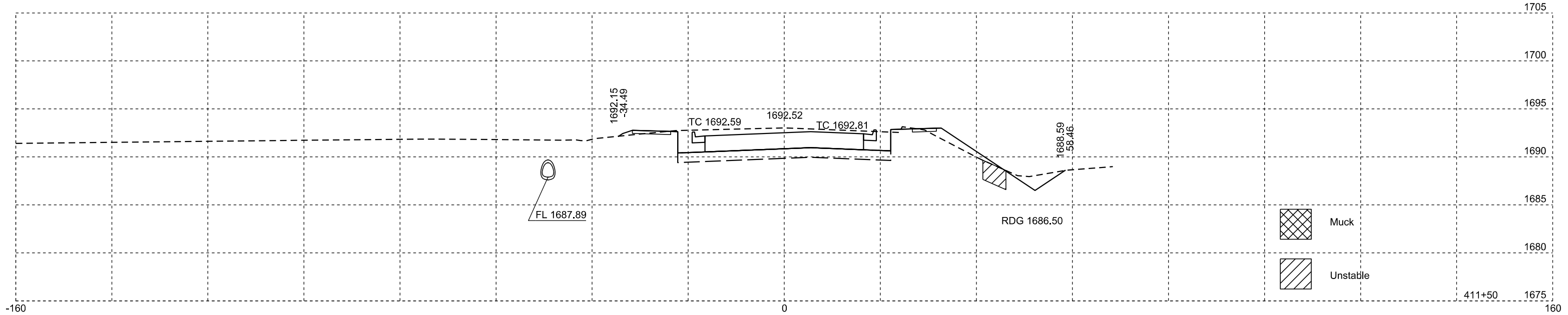
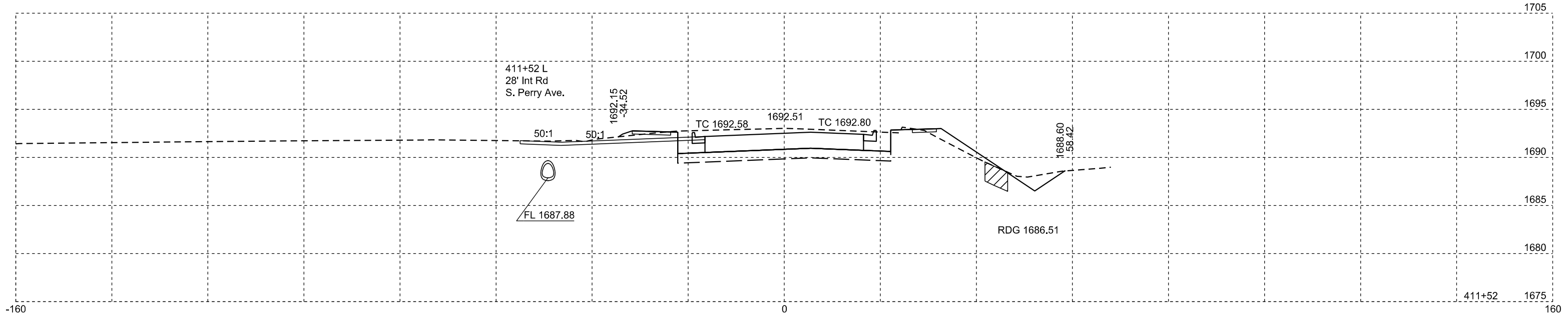
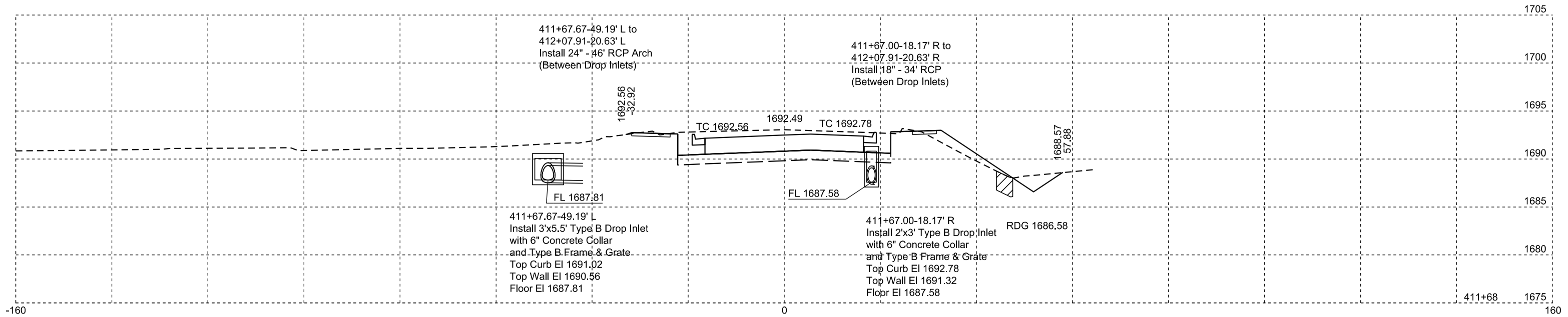



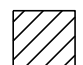
STATE OF SOUTH DAKOTA	PROJECT	SHEET	TOTAL SHEETS
	NH-CR 0034(193)402	X55	X128



 Muck  
 Unstable

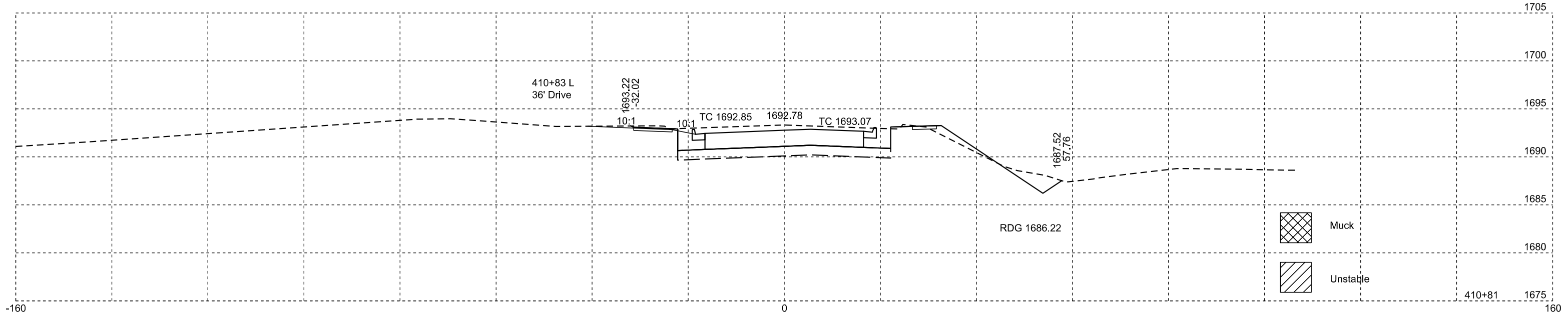
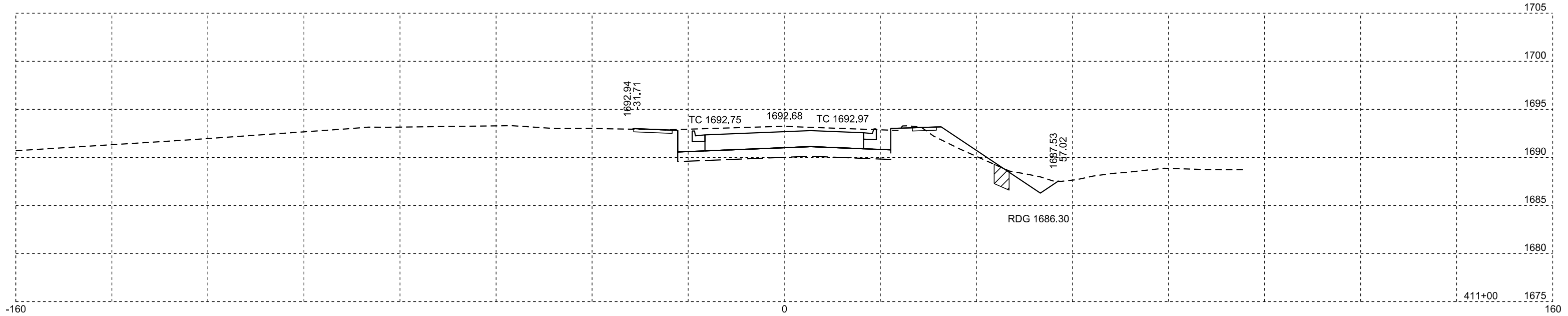
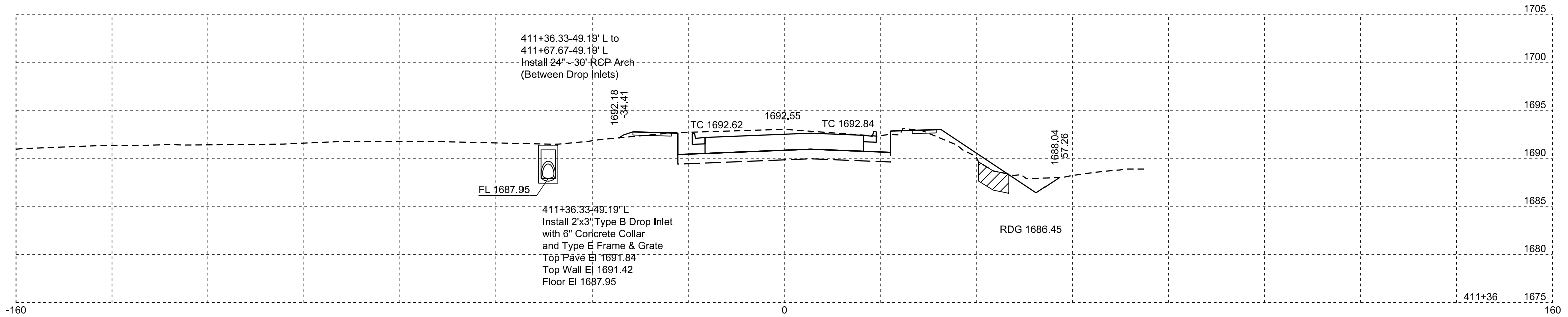
STATE OF SOUTH DAKOTA	PROJECT	SHEET	TOTAL SHEETS
	NH-CR 0034(193)402	X56	X128



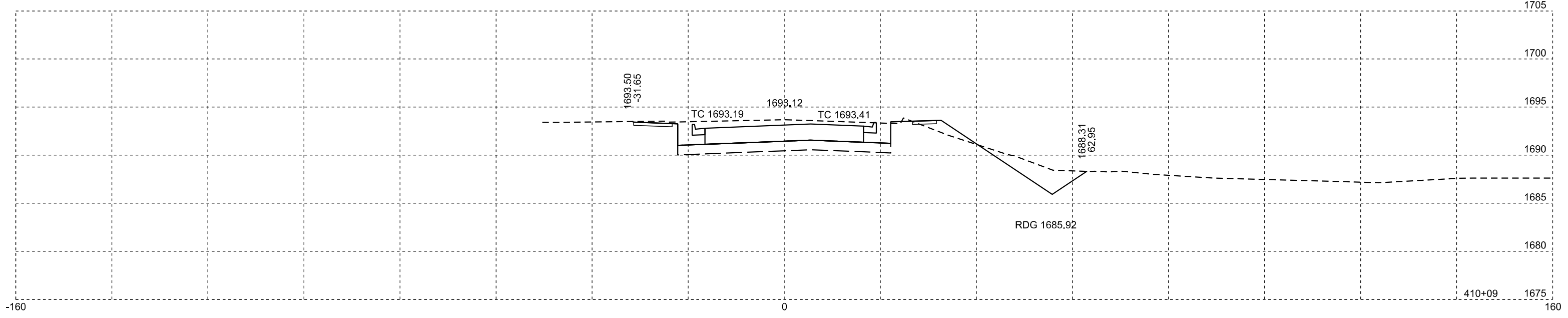
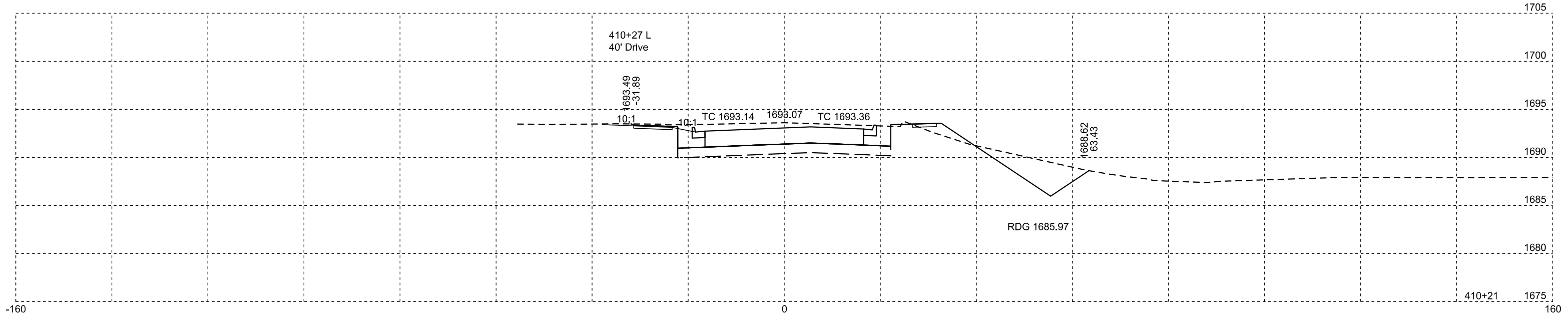
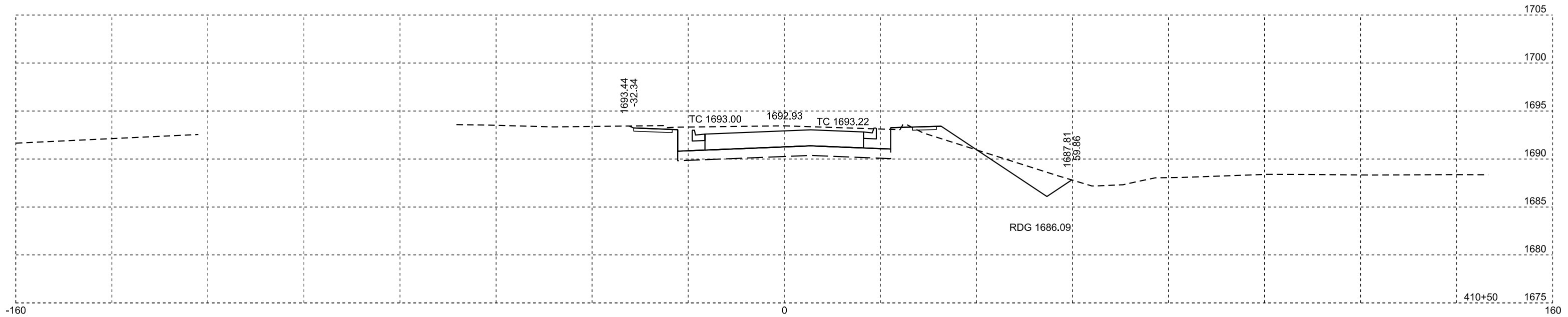
 Muck  
 Unstable

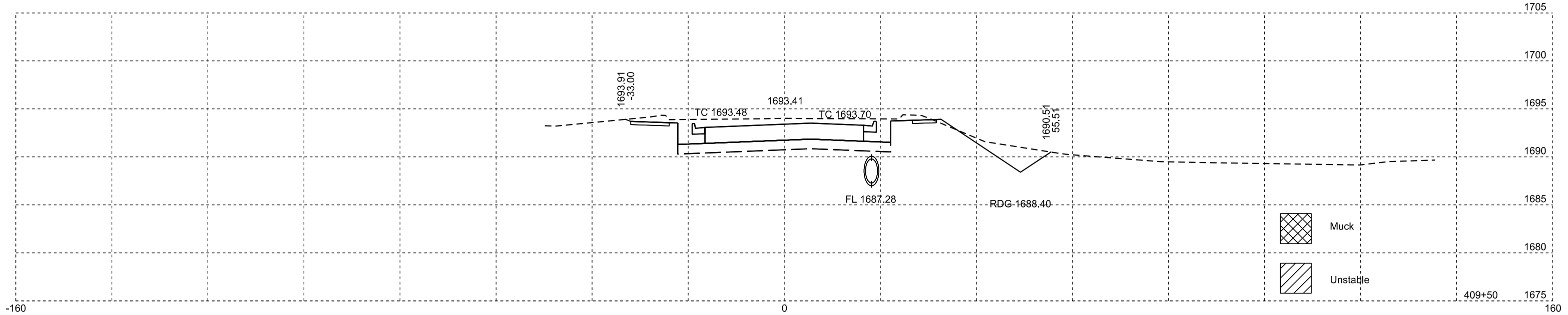
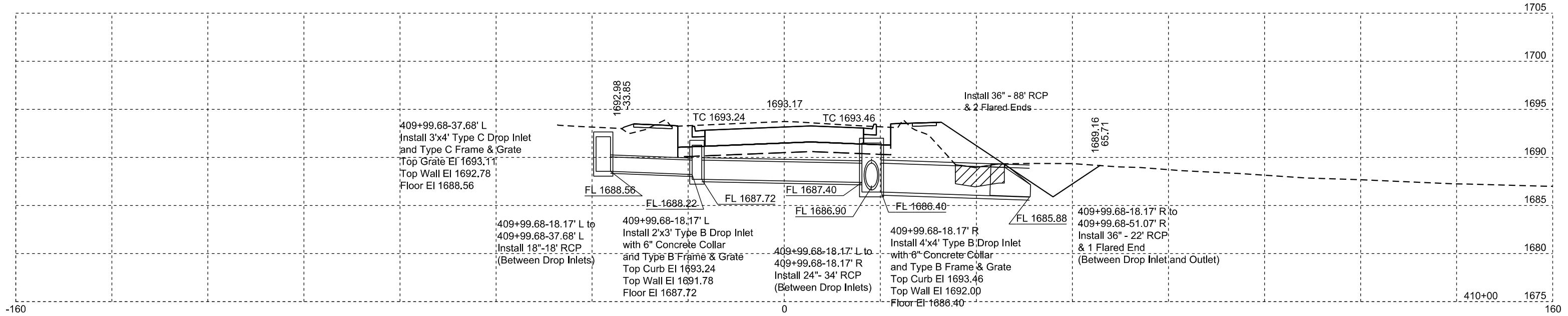
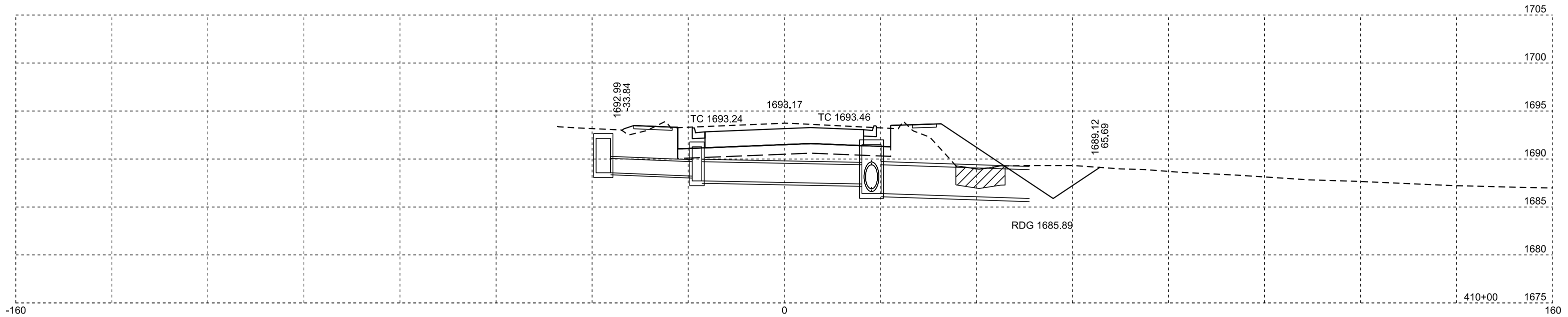


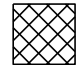
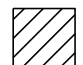
STATE OF SOUTH DAKOTA	PROJECT	SHEET	TOTAL SHEETS
	NH-CR 0034(193)402	X57	X128



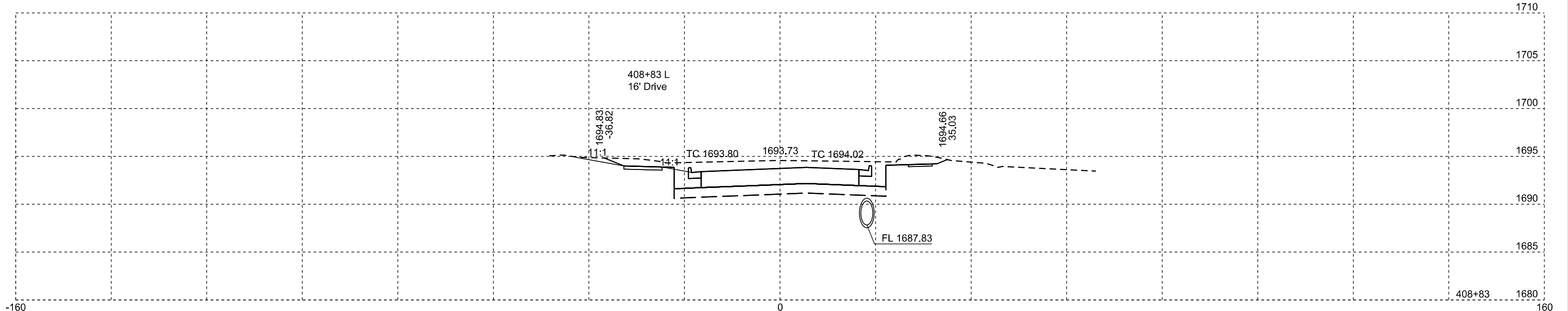
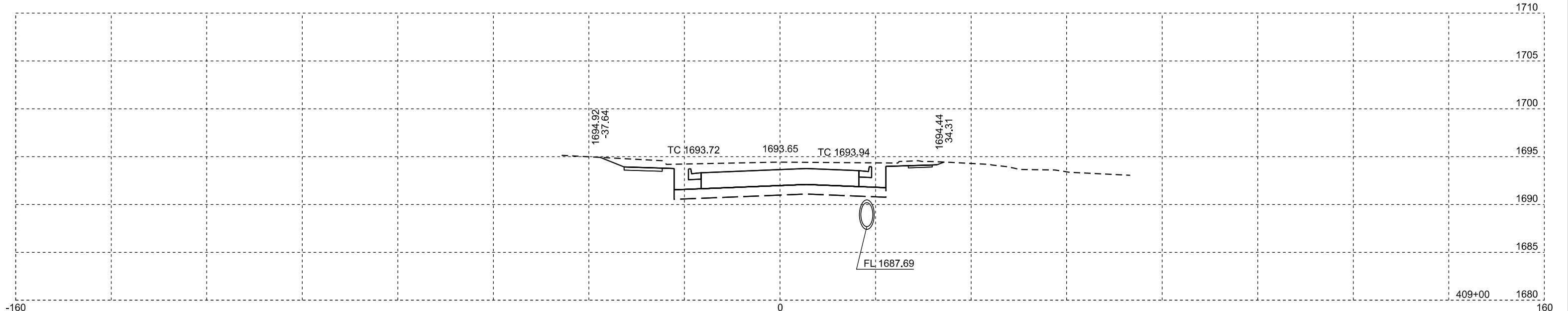
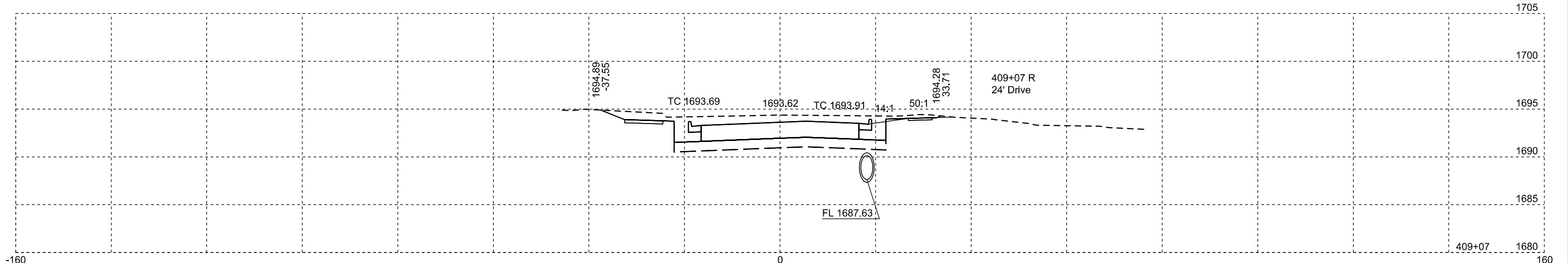
STATE OF SOUTH DAKOTA	PROJECT	SHEET	TOTAL SHEETS
	NH-CR 0034(193)402	X58	X128



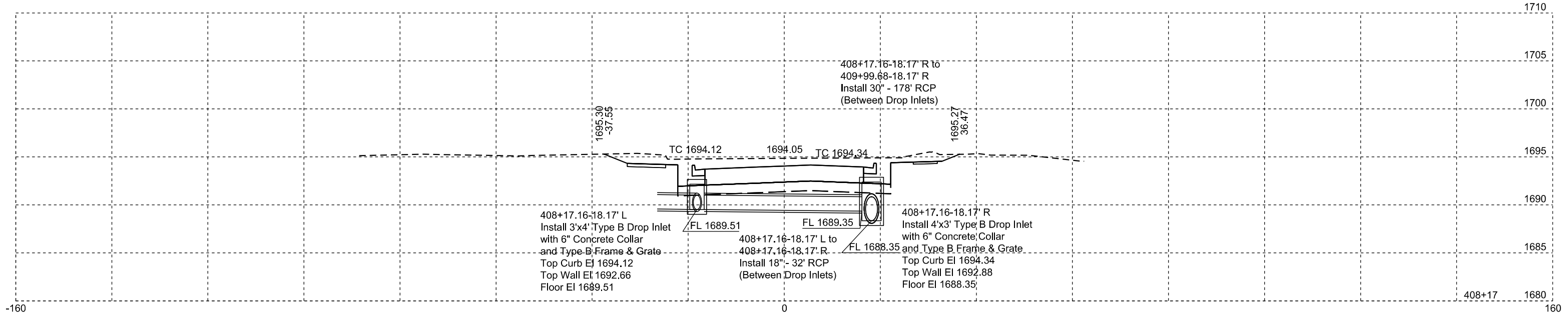
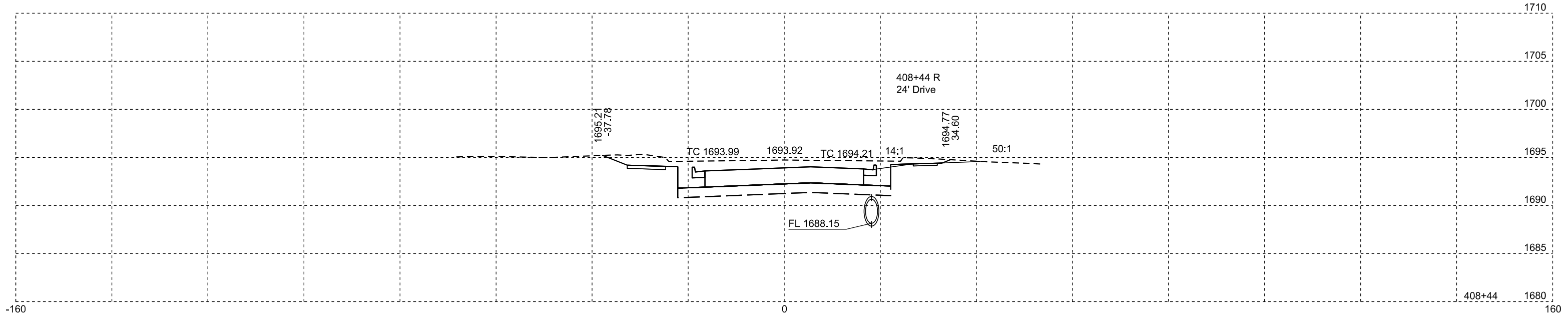
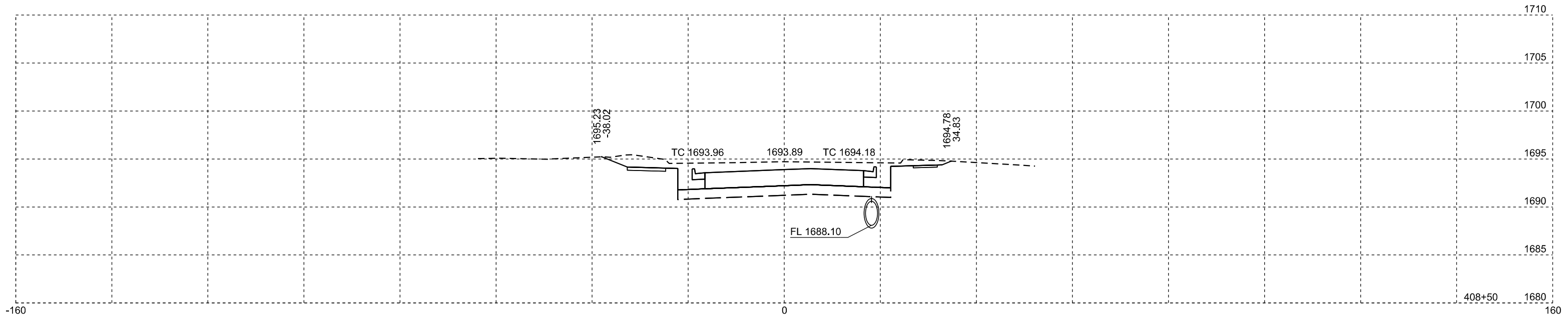


 Muck  
 Unstable

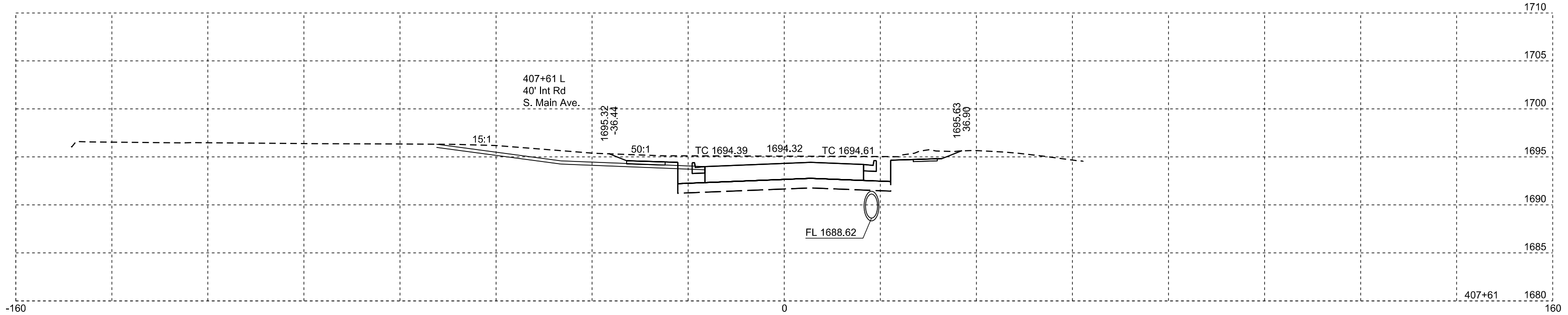
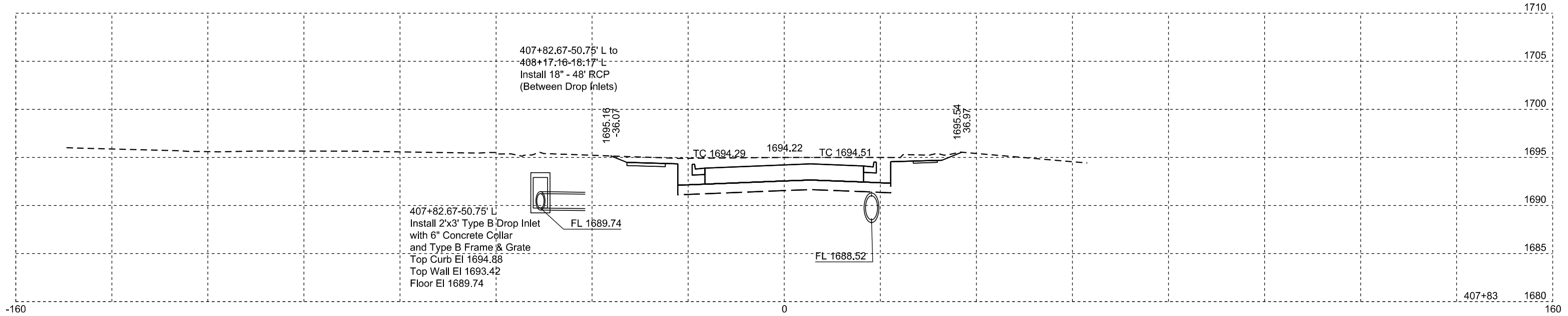
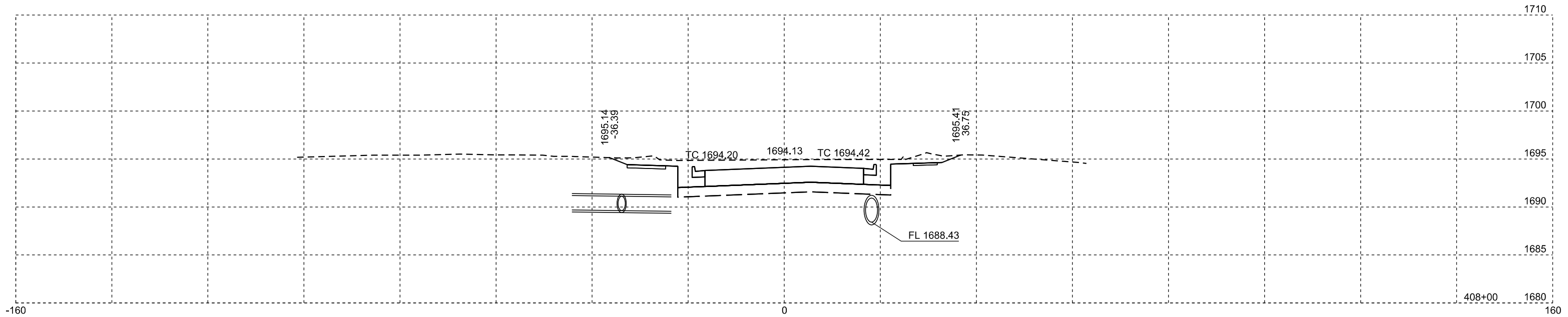
STATE OF SOUTH DAKOTA	PROJECT	SHEET	TOTAL SHEETS
	NH-CR 0034(193)402	X60	X128



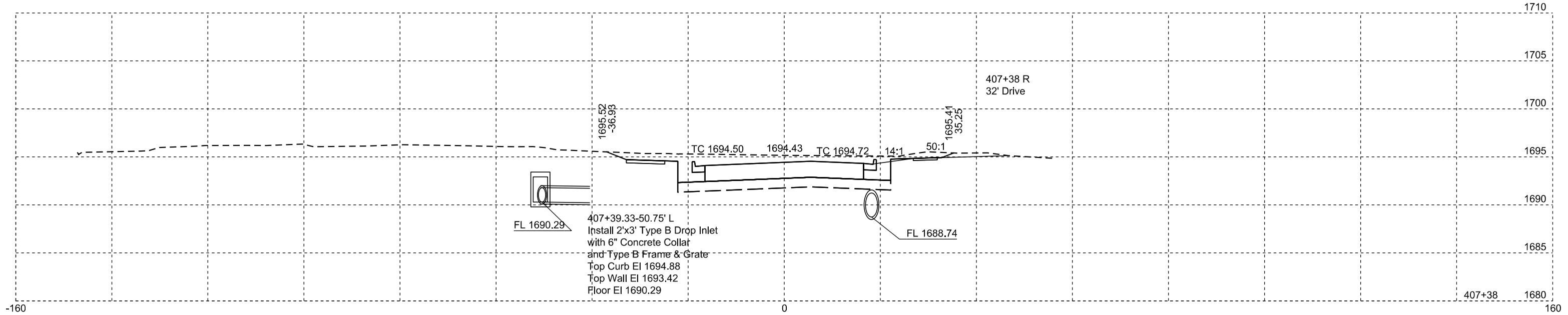
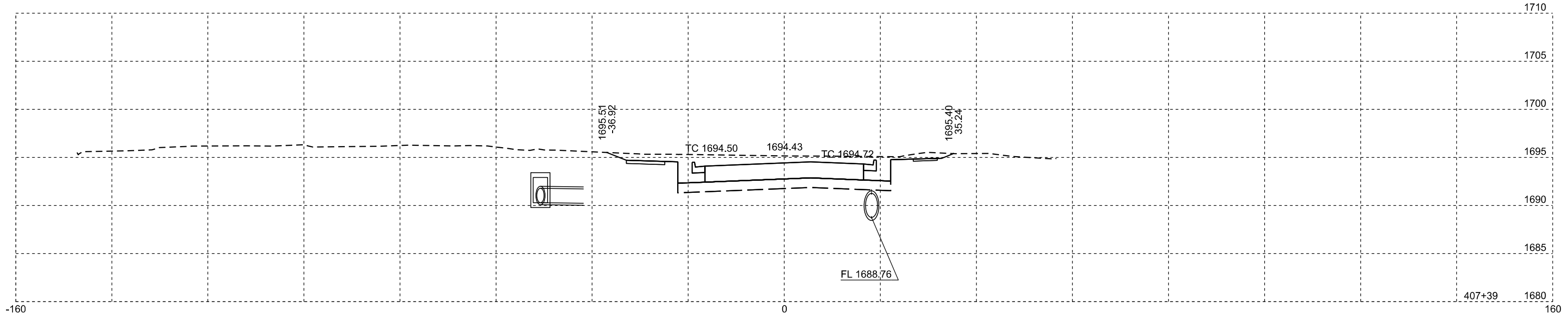
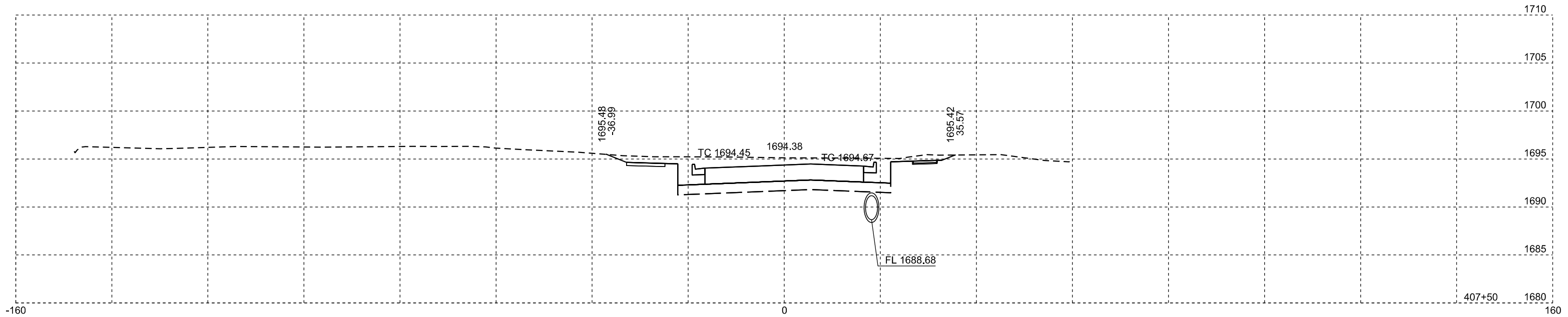
STATE OF SOUTH DAKOTA	PROJECT	SHEET	TOTAL SHEETS
	NH-CR 0034(193)402	X61	X128



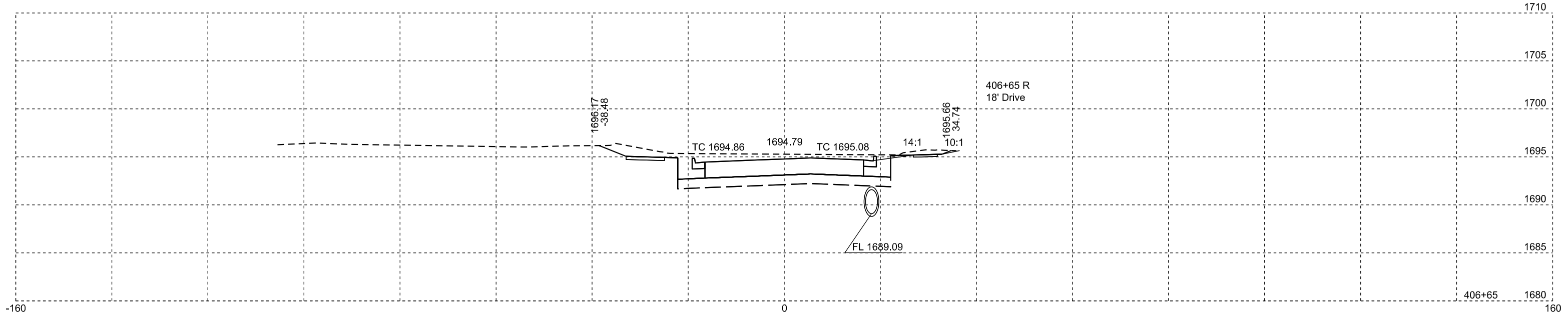
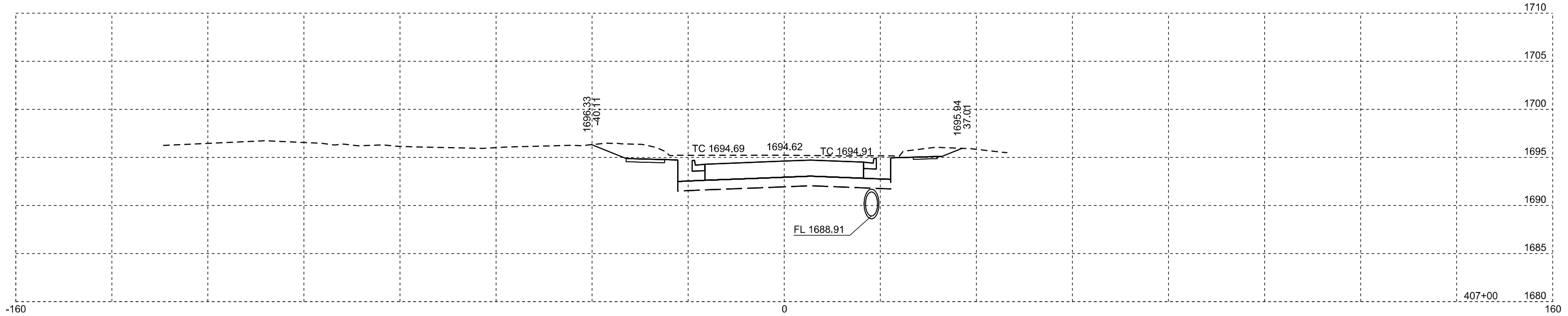
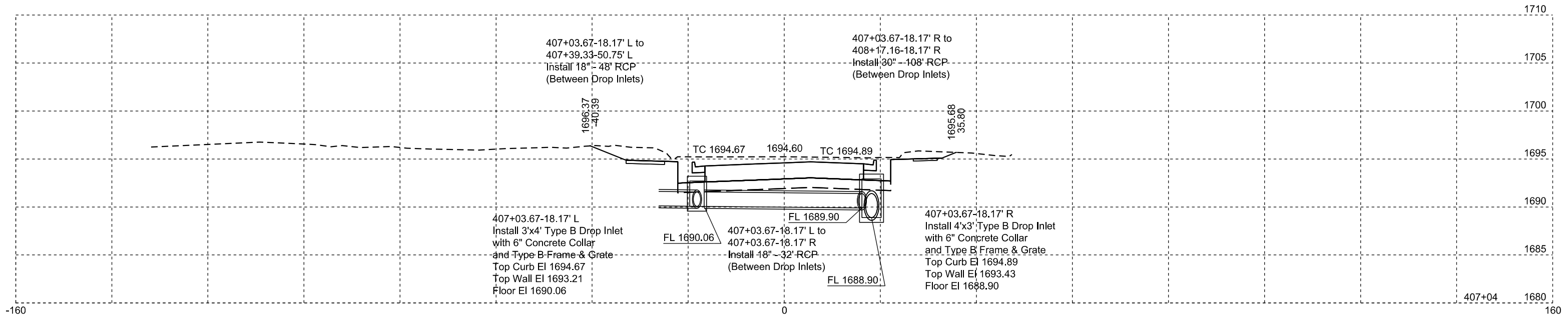
STATE OF SOUTH DAKOTA	PROJECT	SHEET	TOTAL SHEETS
	NH-CR 0034(193)402	X62	X128



STATE OF SOUTH DAKOTA	PROJECT	SHEET	TOTAL SHEETS
	NH-CR 0034(193)402	X63	X128

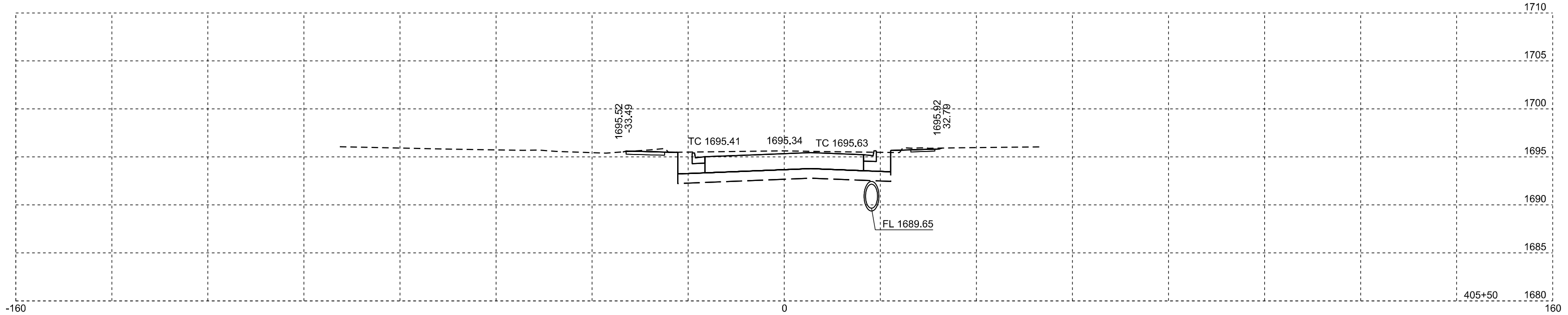
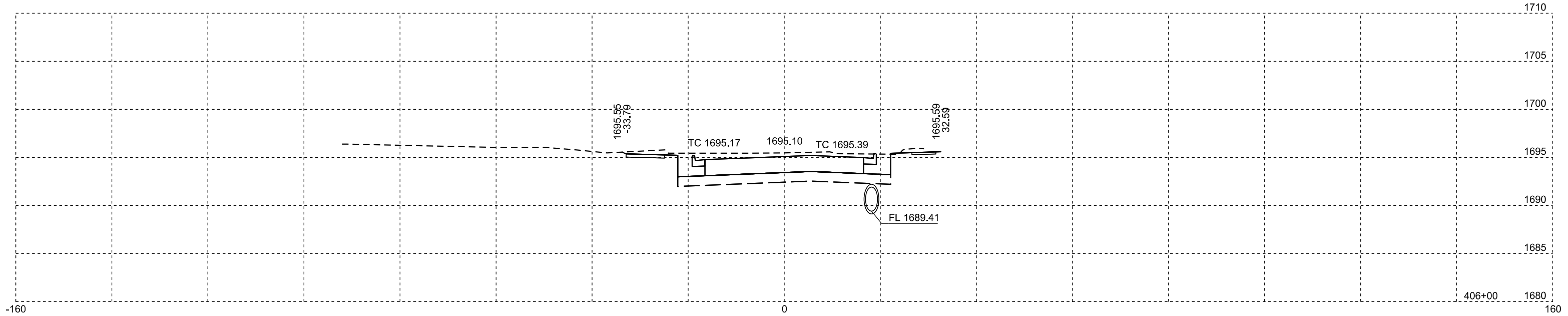
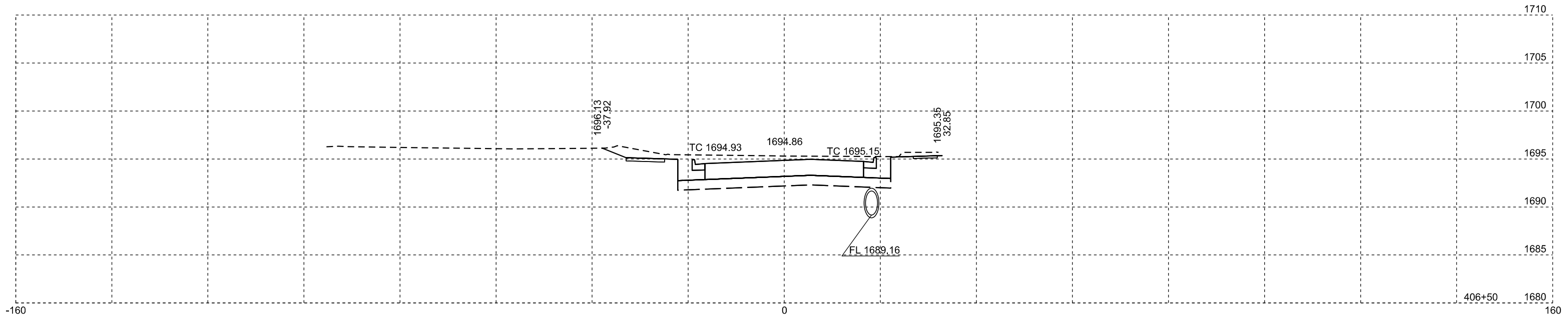


STATE OF SOUTH DAKOTA	PROJECT	SHEET	TOTAL SHEETS
	NH-CR 0034(193)402	X64	X128

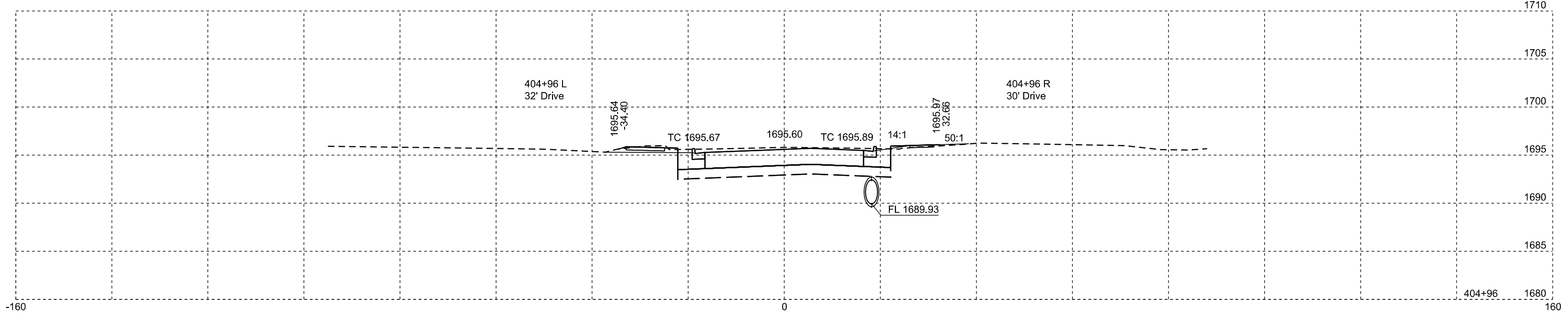
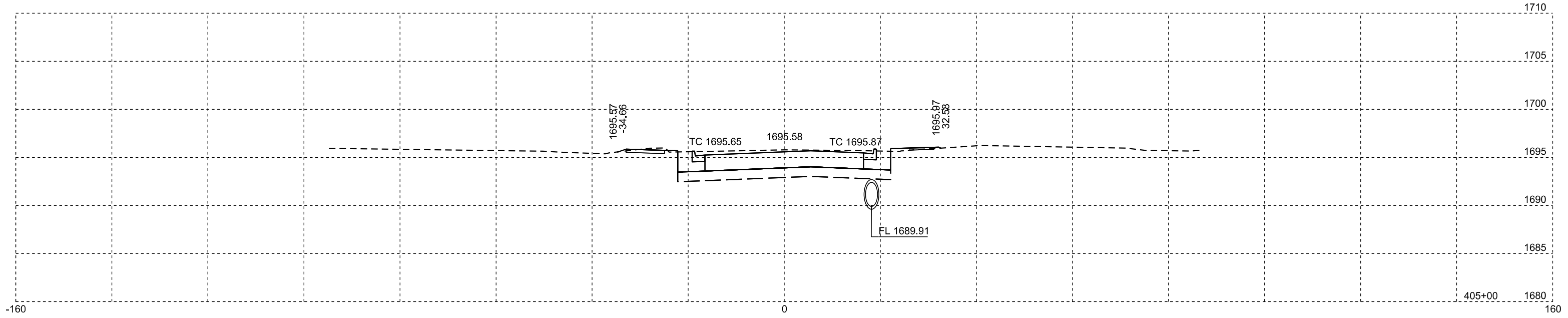
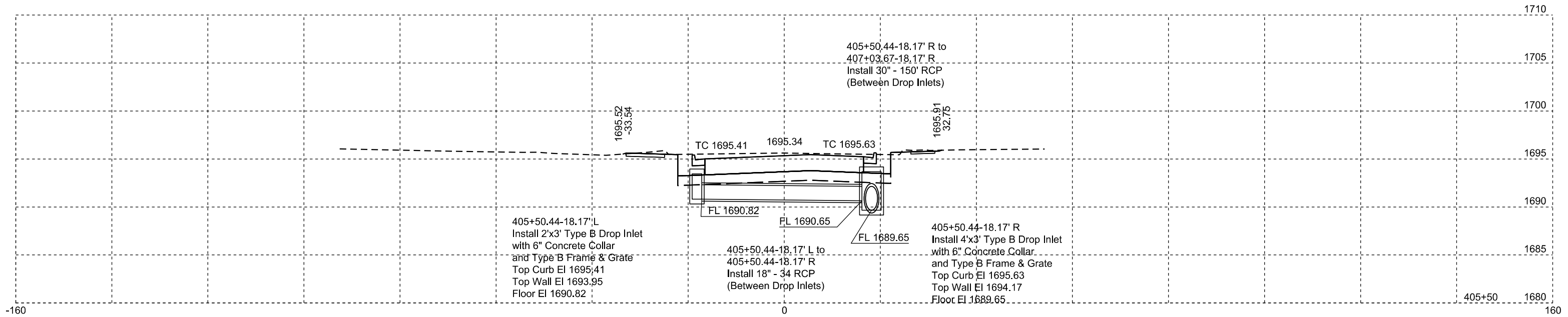


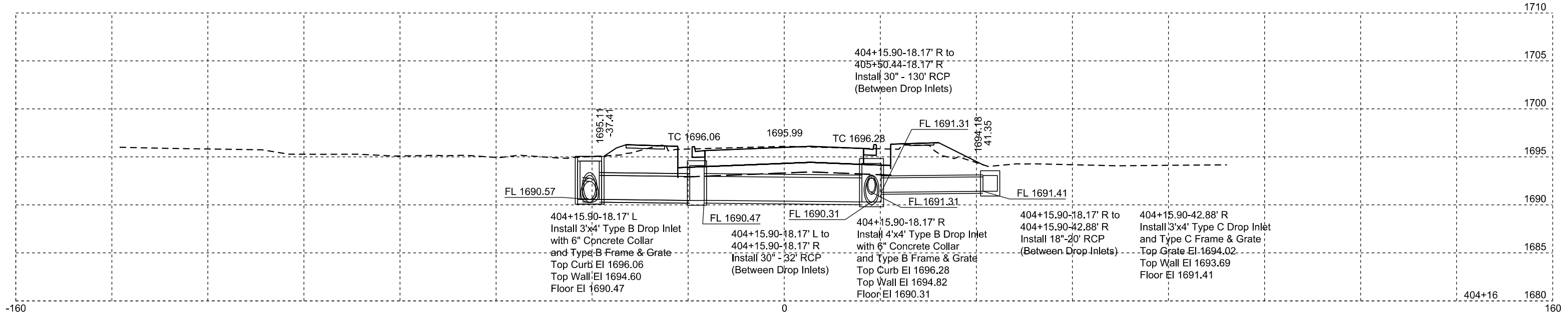
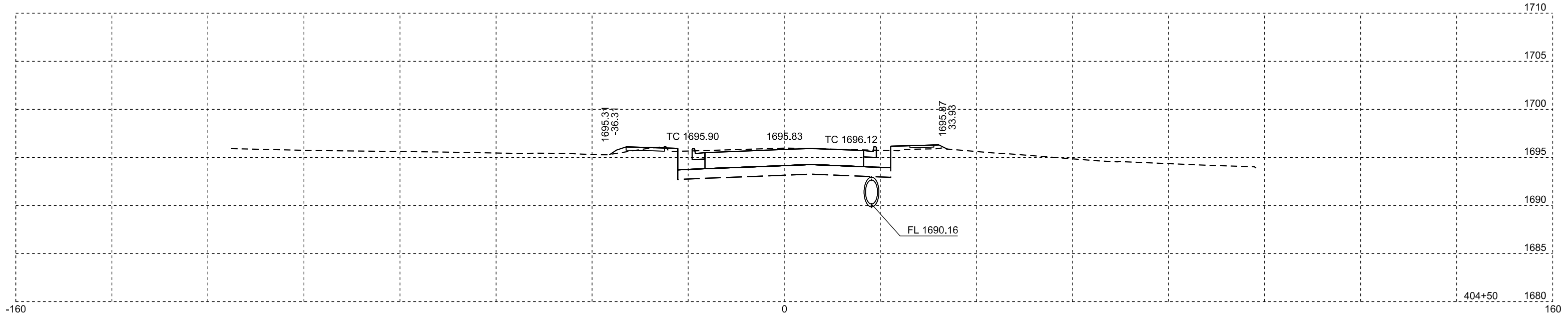
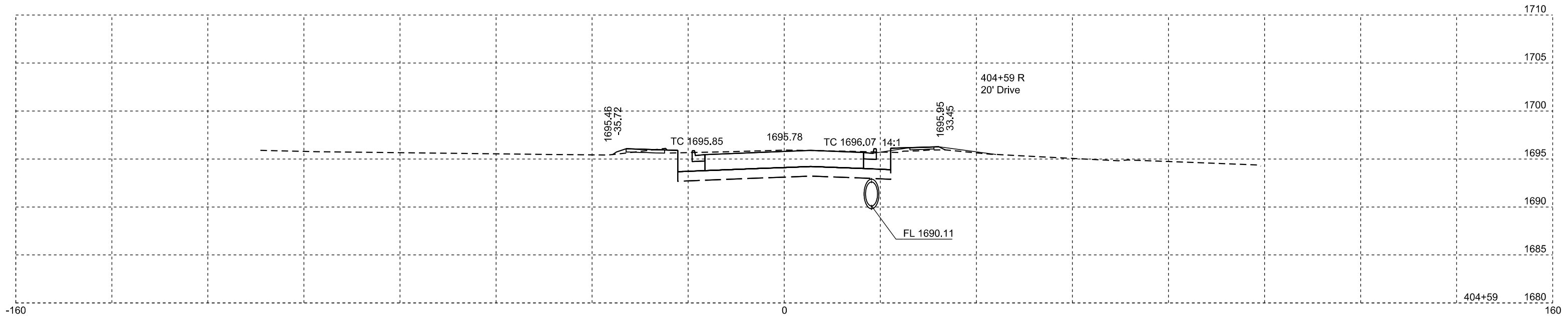


STATE OF SOUTH DAKOTA	PROJECT	SHEET	TOTAL SHEETS
	NH-CR 0034(193)402	X65	X128



STATE OF SOUTH DAKOTA	PROJECT	SHEET	TOTAL SHEETS
	NH-CR 0034(193)402	X66	X128





404+15.90-18.17' L  
Install 3'x4' Type B Drop Inlet  
with 6" Concrete Collar  
and Type B Frame & Grate  
Top Curb EI 1696.06  
Top Wall EI 1694.60  
Floor EI 1690.47

404+15.90-18.17' L to  
404+15.90-18.17' R  
Install 30" - 32' RCP  
(Between Drop Inlets)

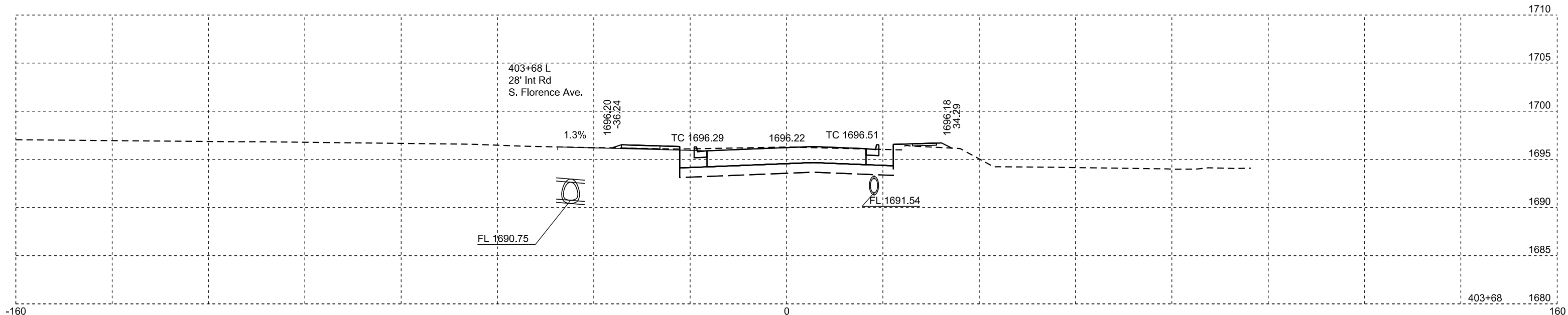
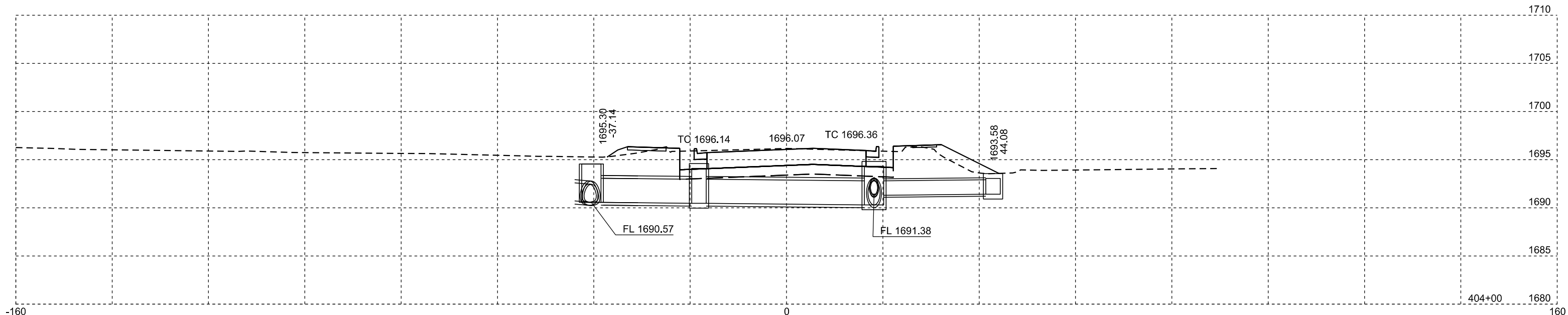
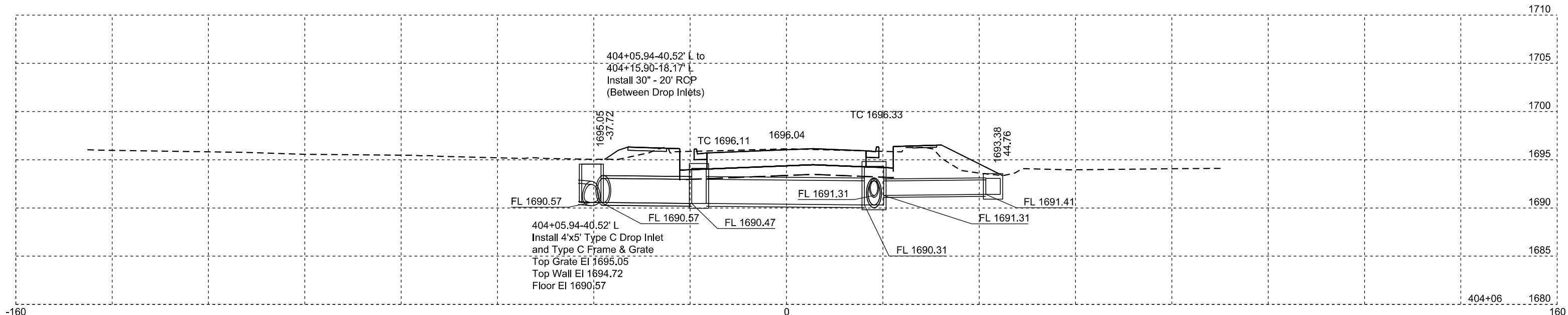
404+15.90-18.17' R  
Install 4'x4' Type B Drop Inlet  
with 6" Concrete Collar  
and Type B Frame & Grate  
Top Curb EI 1696.28  
Top Wall EI 1694.82  
Floor EI 1690.31

404+15.90-18.17' R to  
404+15.90-42.88' R  
Install 18"-20' RCP  
(Between Drop Inlets)

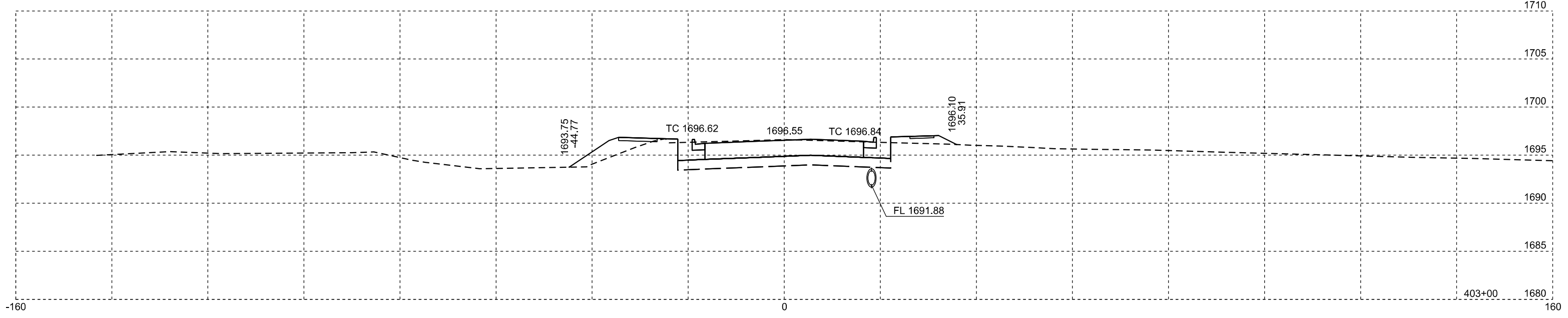
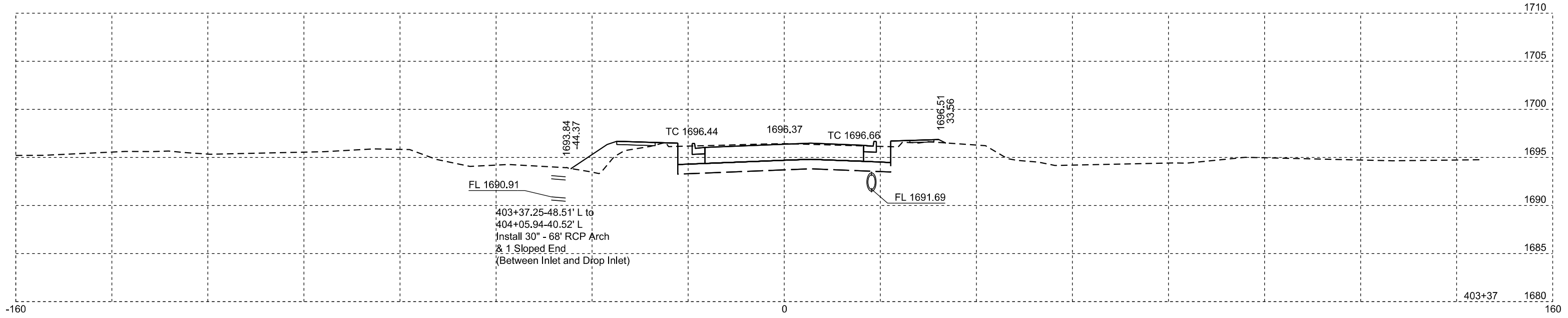
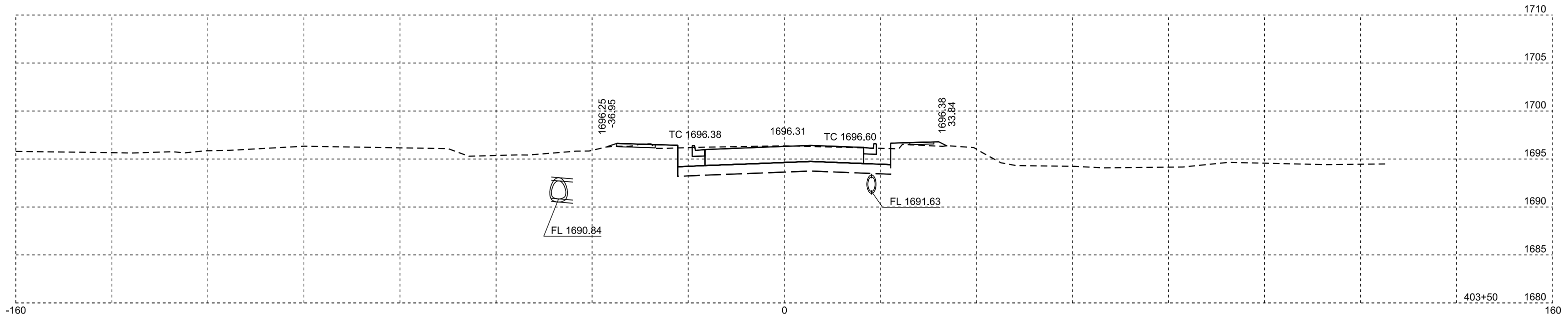
404+15.90-42.88' R  
Install 3'x4' Type C Drop Inlet  
and Type C Frame & Grate  
Top Grate EI 1694.02  
Top Wall EI 1693.69  
Floor EI 1691.41

404+15.90-18.17' R to  
405+50.44-18.17' R  
Install 30" - 130' RCP  
(Between Drop Inlets)

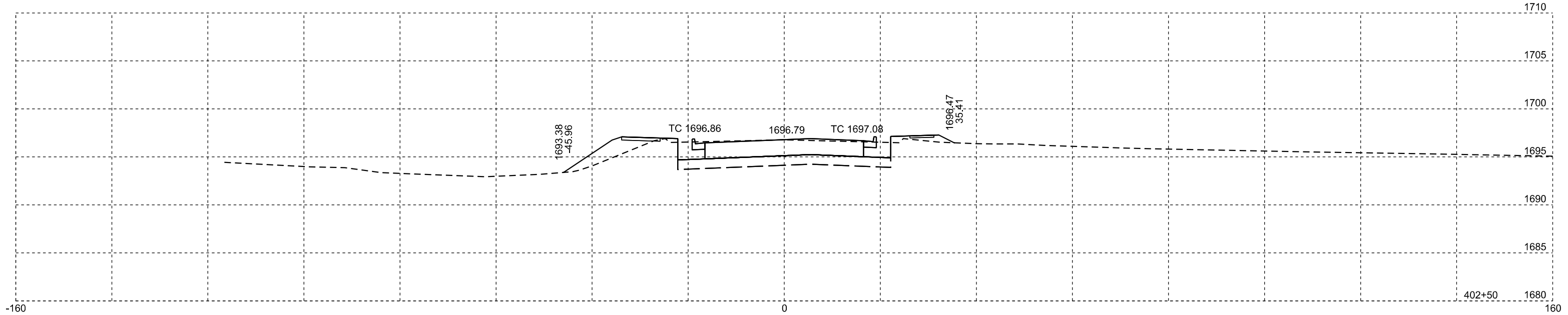
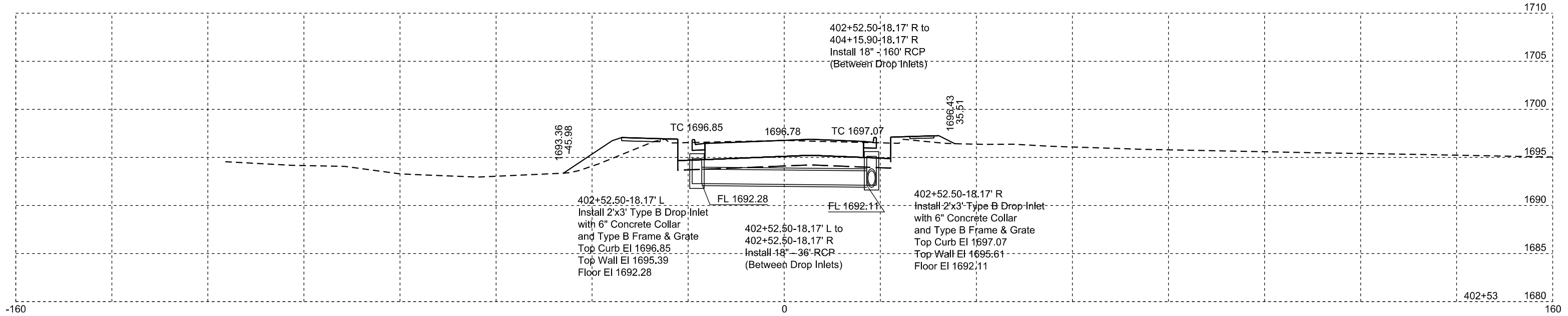
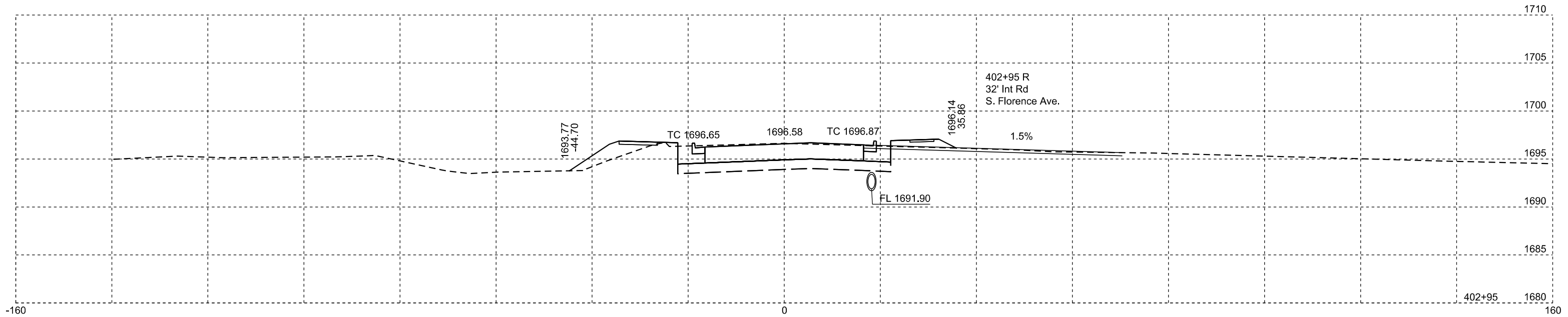
STATE OF SOUTH DAKOTA	PROJECT	SHEET	TOTAL SHEETS
	NH-CR 0034(193)402	X68	X128



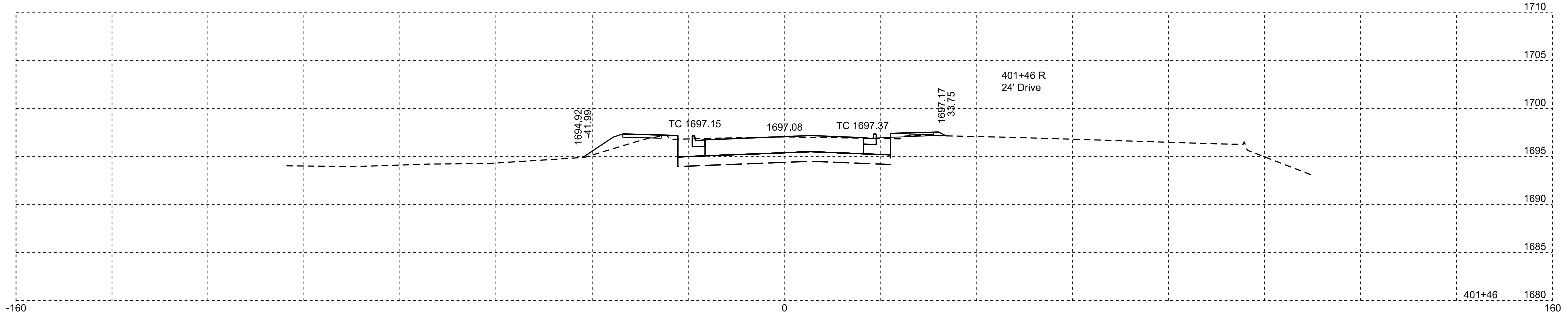
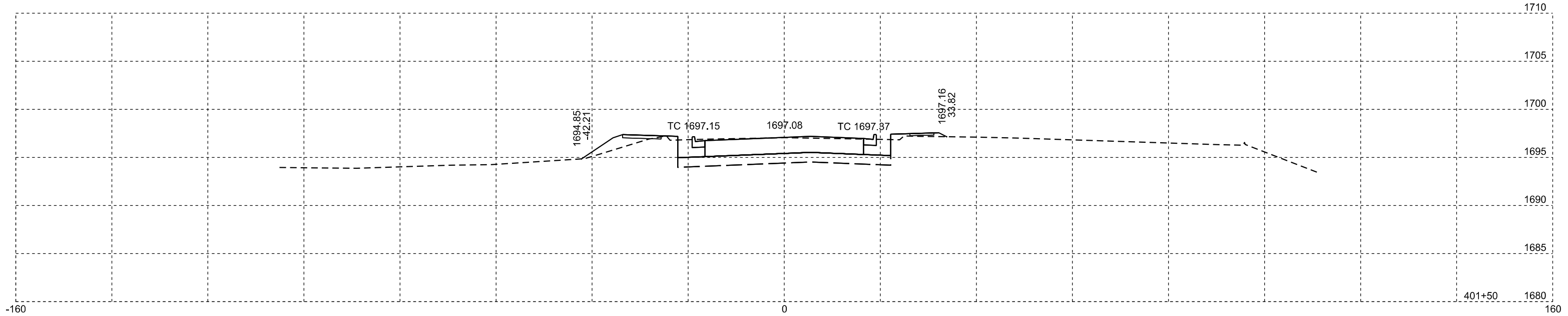
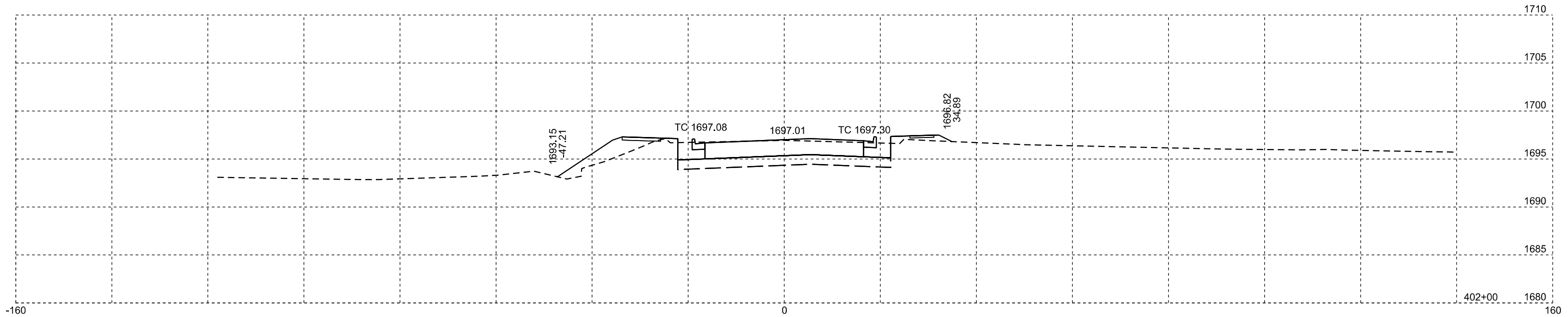
STATE OF SOUTH DAKOTA	PROJECT	SHEET	TOTAL SHEETS
	NH-CR 0034(193)402	X69	X128



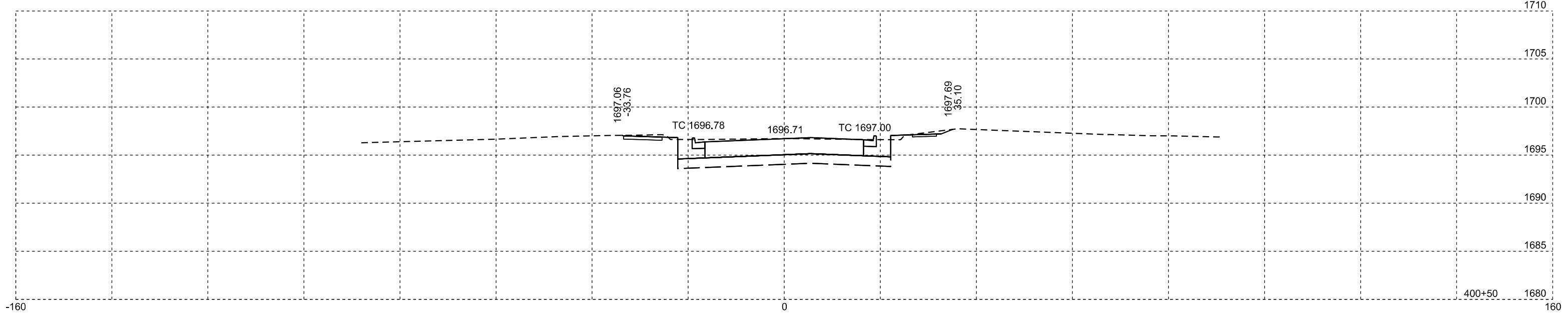
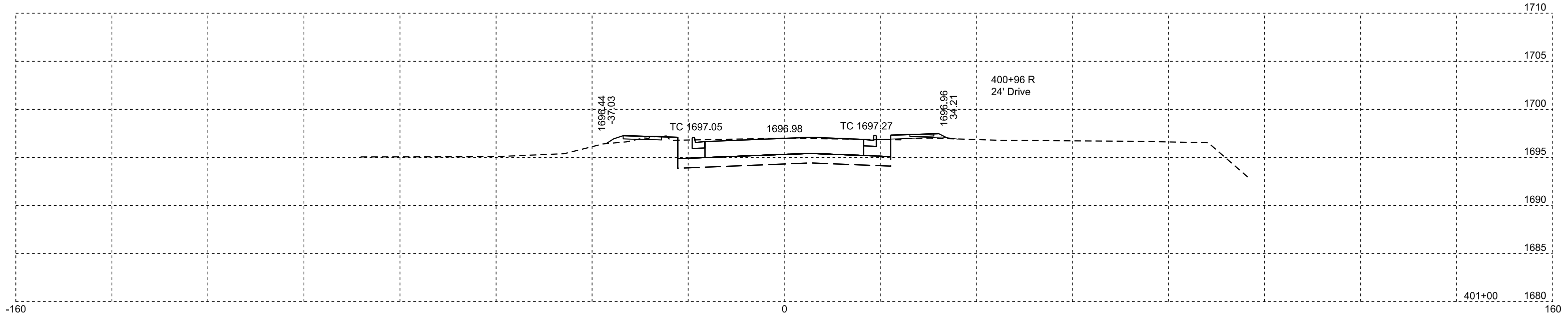
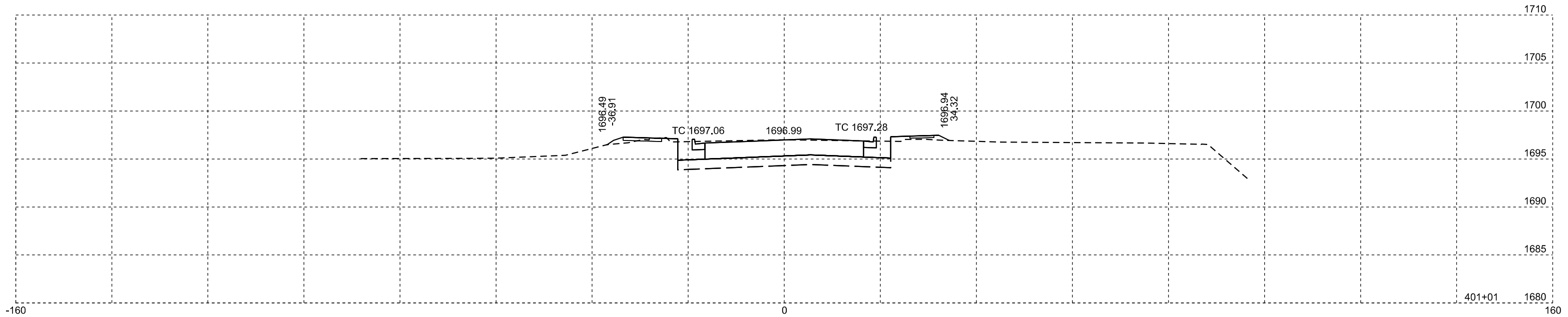
STATE OF SOUTH DAKOTA	PROJECT	SHEET	TOTAL SHEETS
	NH-CR 0034(193)402	X70	X128



STATE OF SOUTH DAKOTA	PROJECT	SHEET	TOTAL SHEETS
	NH-CR 0034(193)402	X71	X128

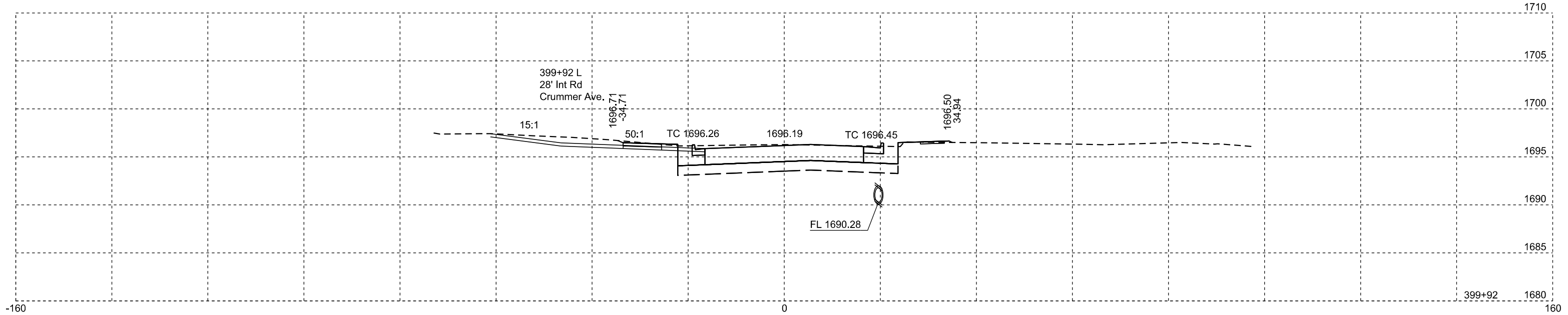
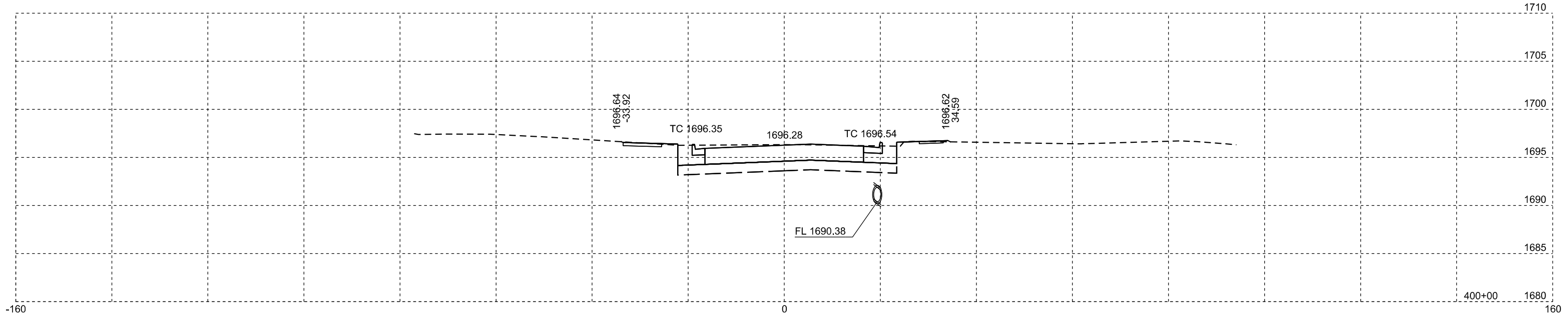
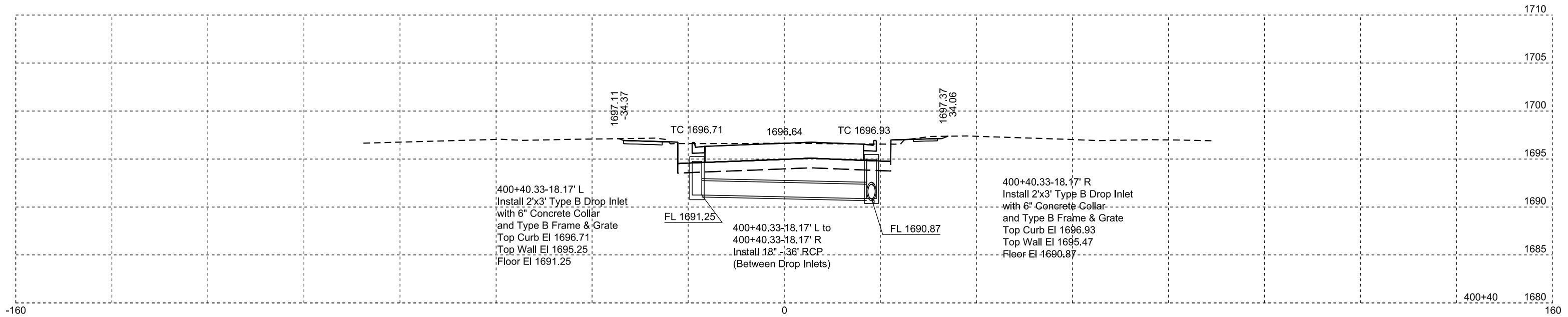


STATE OF SOUTH DAKOTA	PROJECT	SHEET	TOTAL SHEETS
	NH-CR 0034(193)402	X72	X128

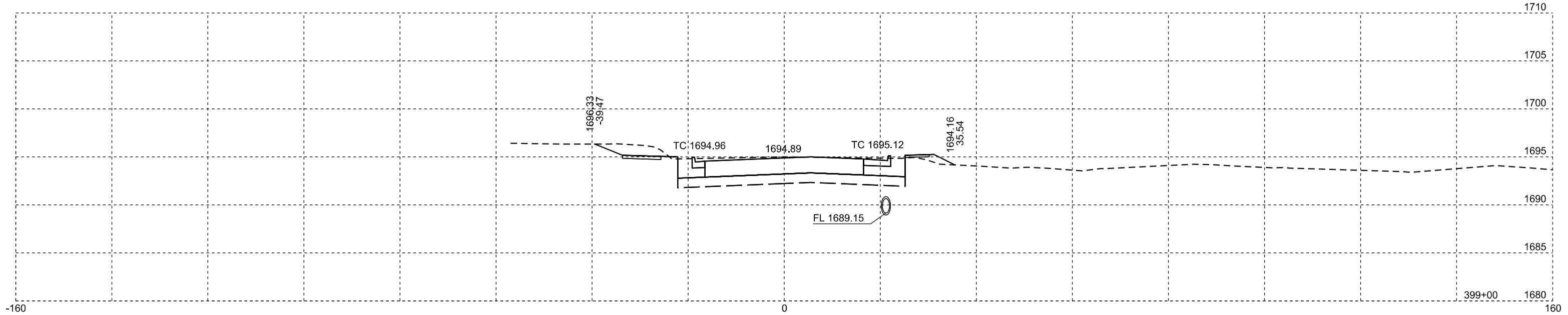
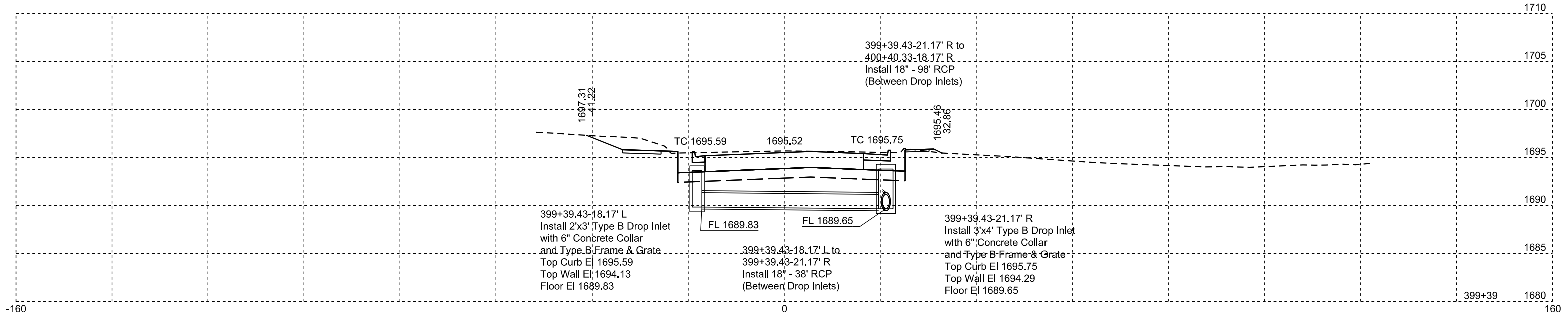
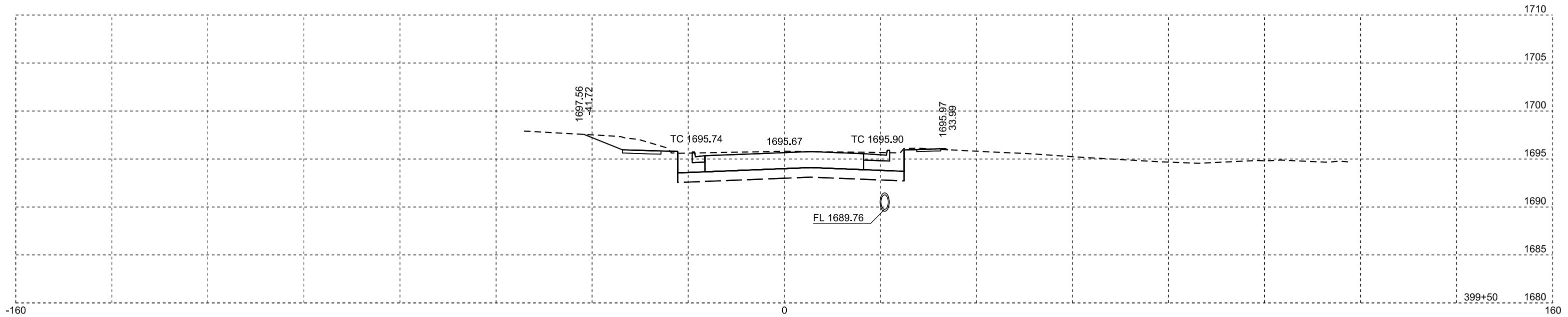




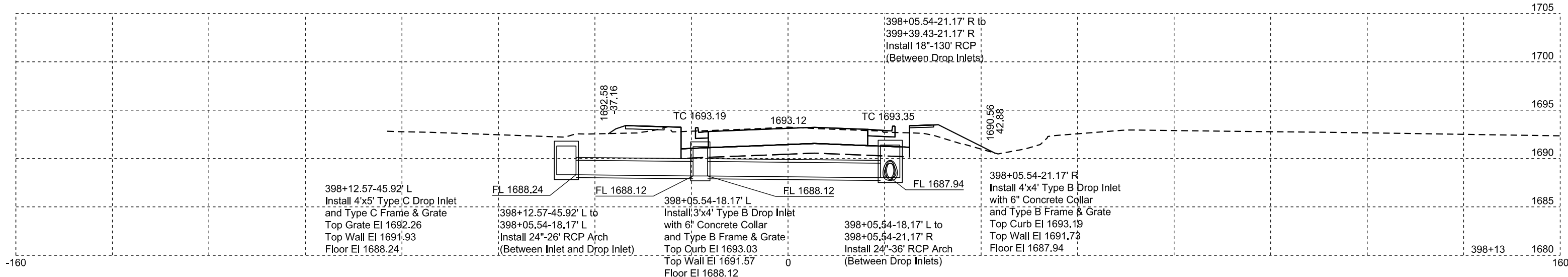
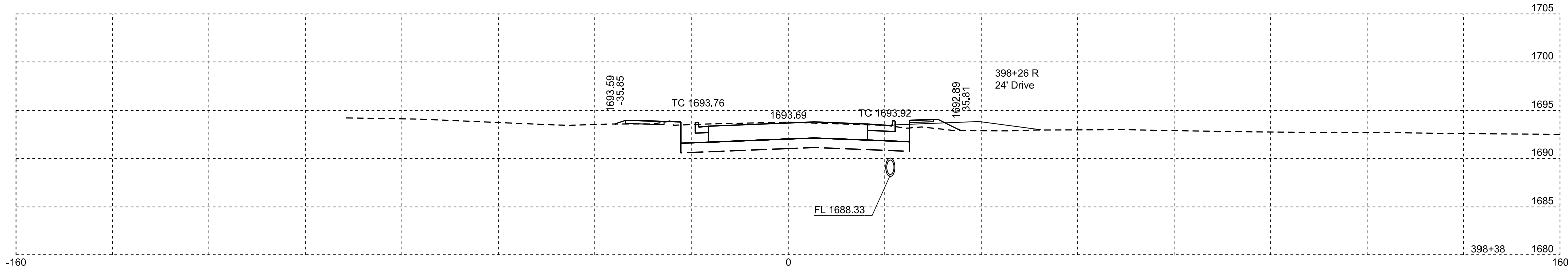
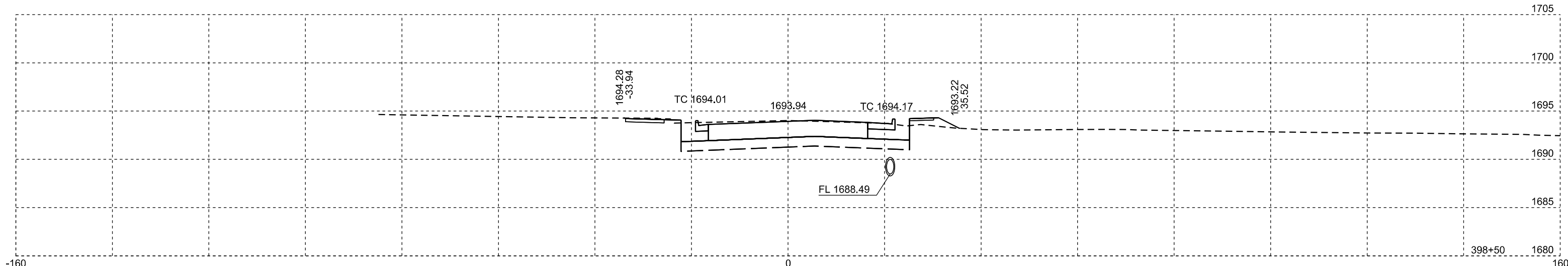
STATE OF SOUTH DAKOTA	PROJECT	SHEET	TOTAL SHEETS
	NH-CR 0034(193)402	X73	X128



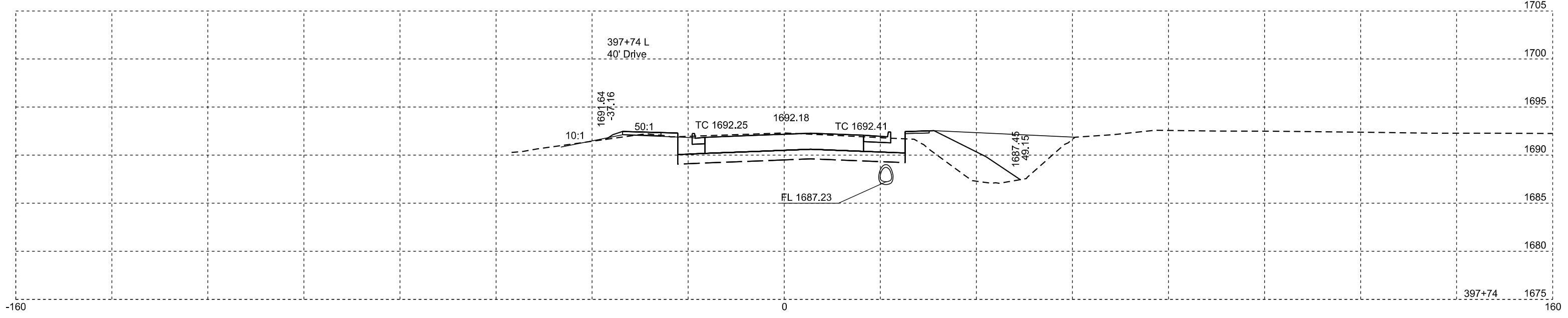
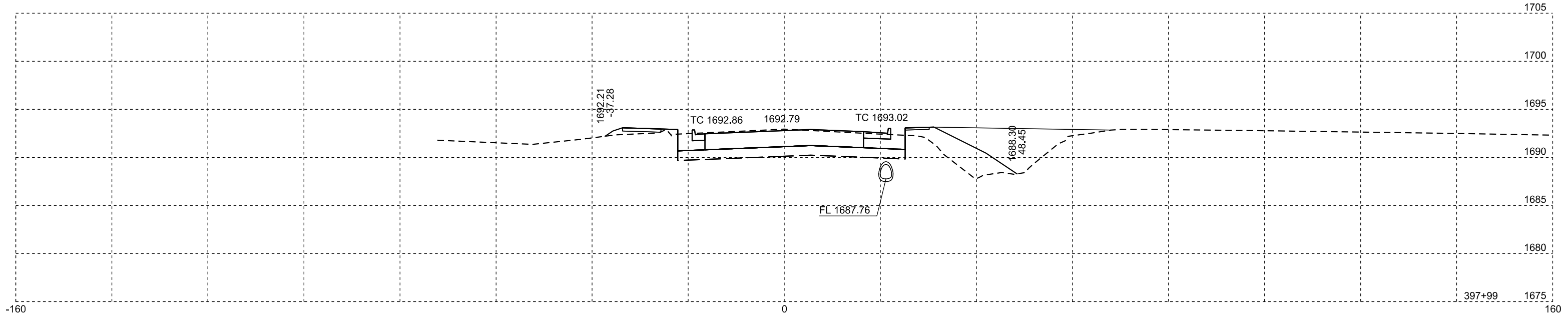
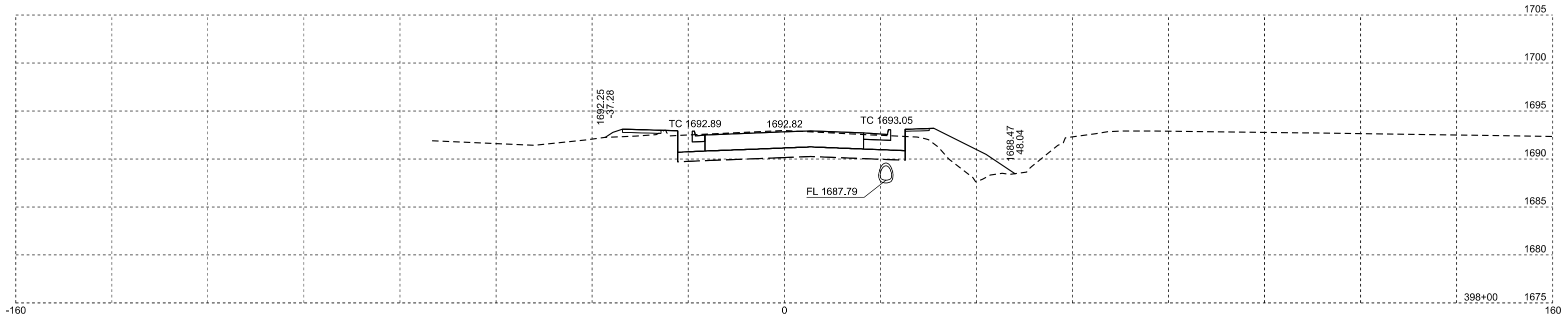
STATE OF SOUTH DAKOTA	PROJECT	SHEET	TOTAL SHEETS
	NH-CR 0034(193)402	X74	X128



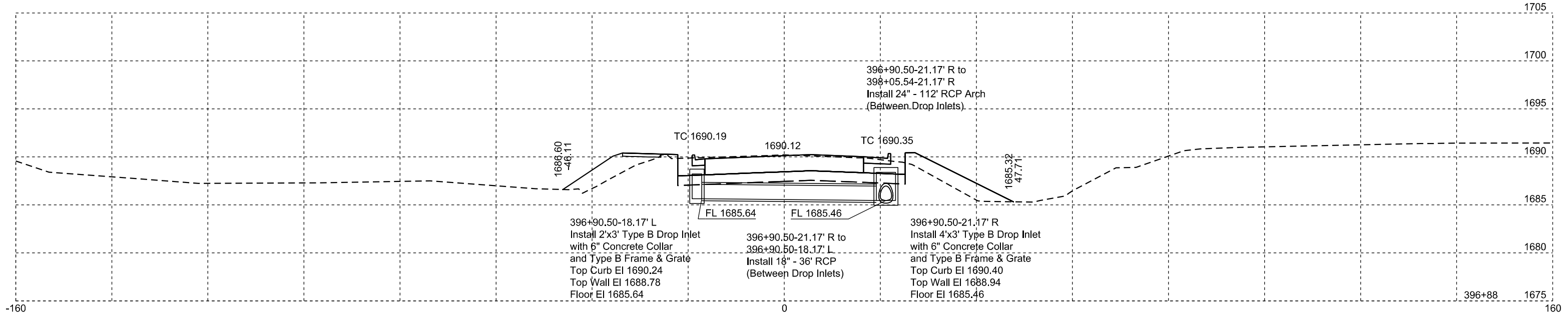
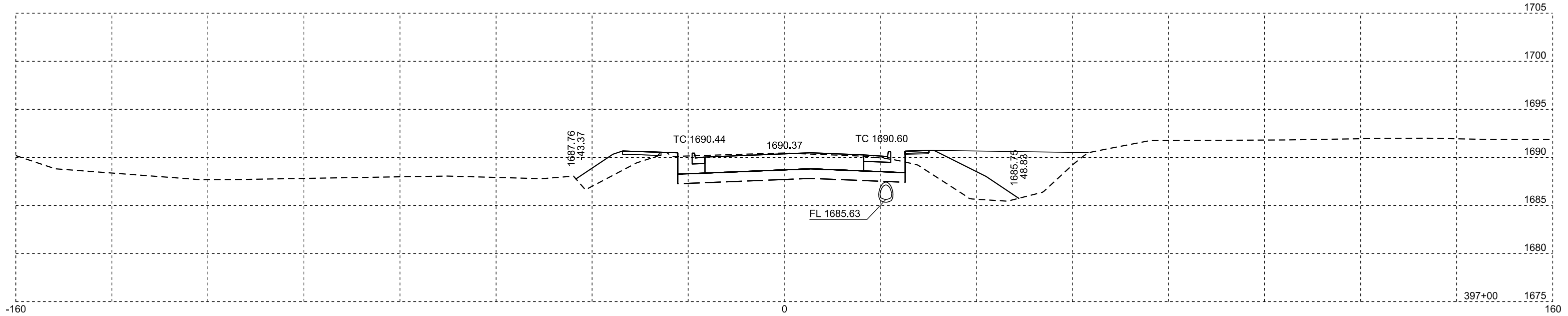
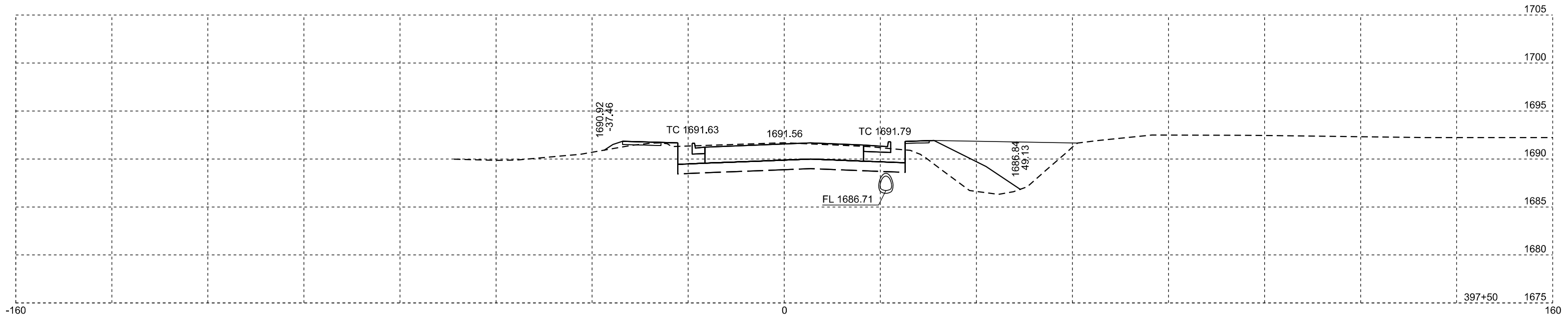
STATE OF SOUTH DAKOTA	PROJECT	SHEET	TOTAL SHEETS
	NH-CR 0034(193)402	X75	X128



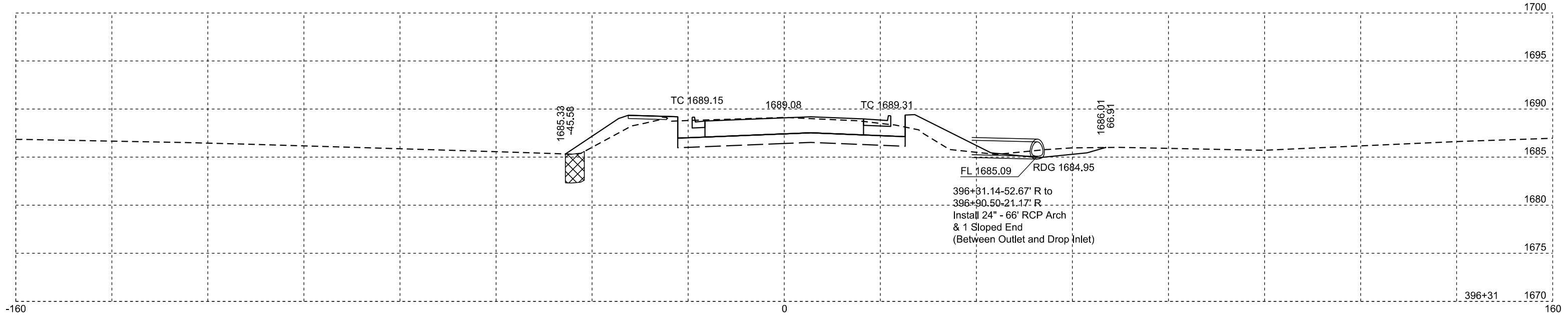
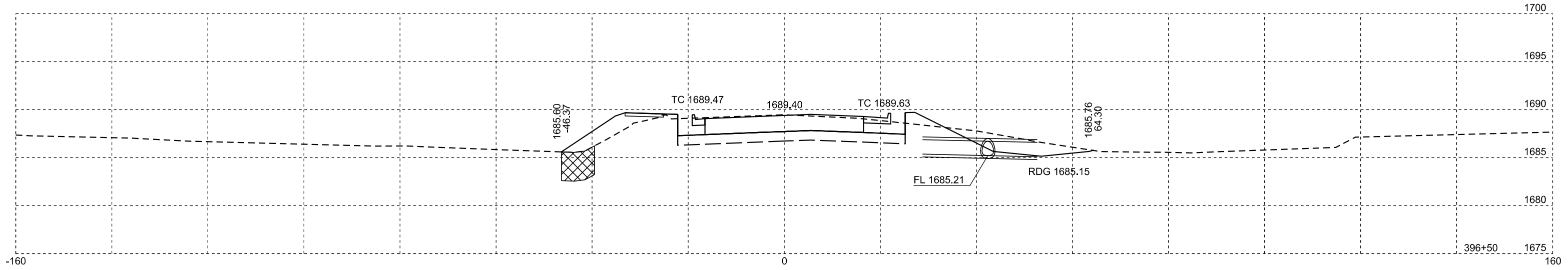
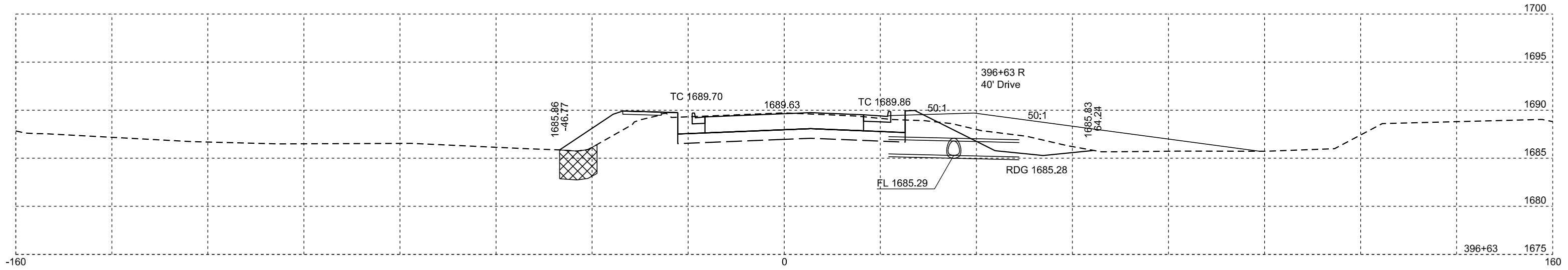
STATE OF SOUTH DAKOTA	PROJECT	SHEET	TOTAL SHEETS
	NH-CR 0034(193)402	X76	X128



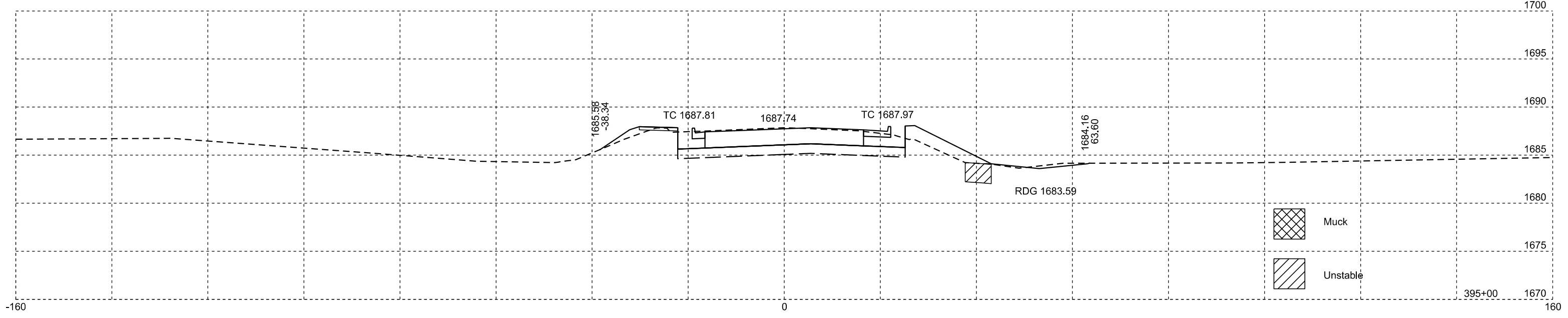
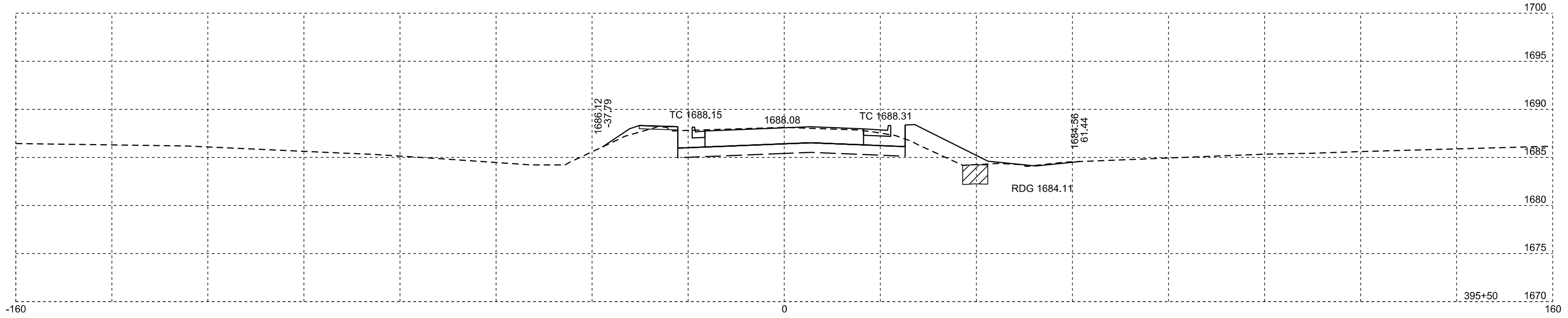
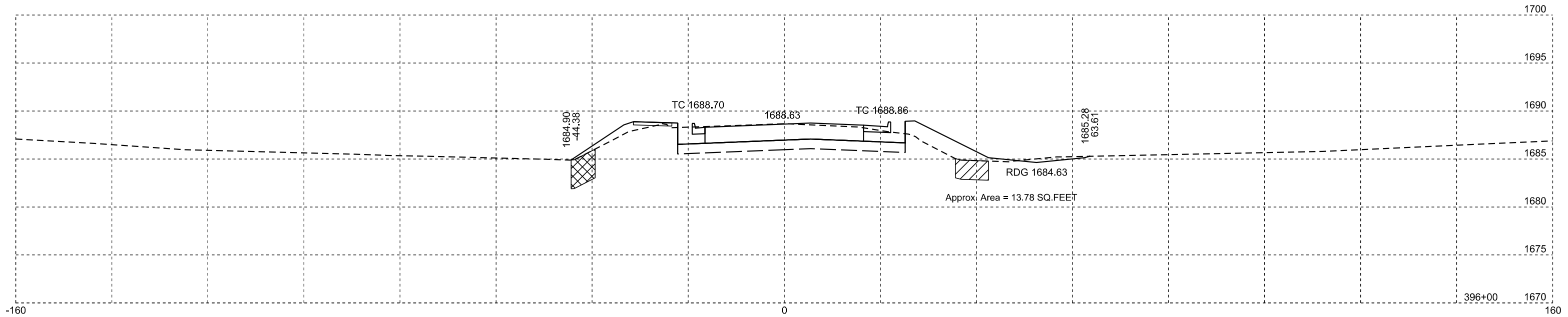
STATE OF SOUTH DAKOTA	PROJECT	SHEET	TOTAL SHEETS
	NH-CR 0034(193)402	X77	X128



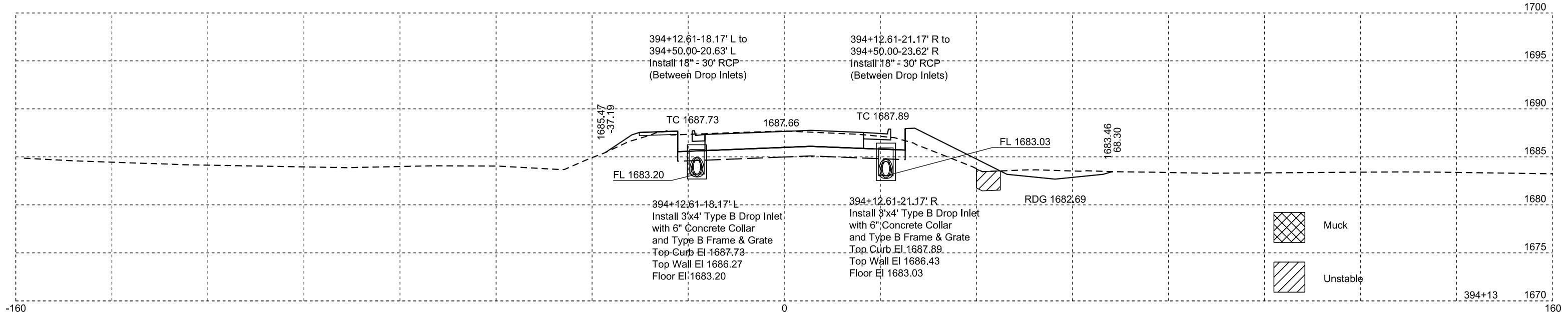
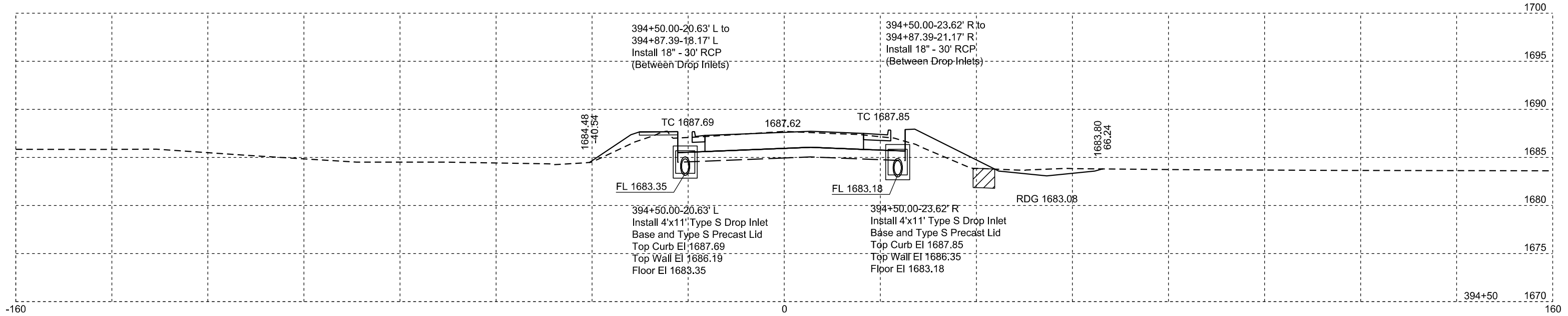
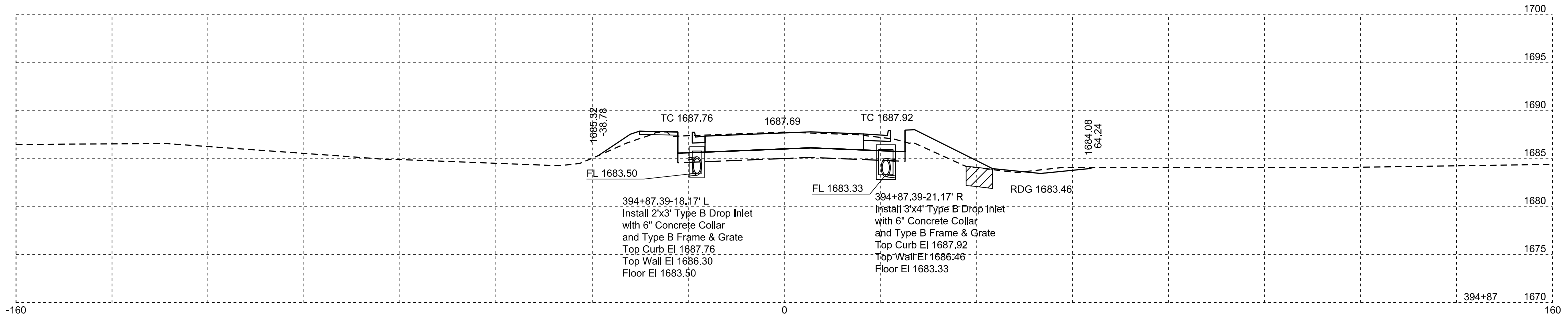
STATE OF SOUTH DAKOTA	PROJECT	SHEET	TOTAL SHEETS
	NH-CR 0034(193)402	X78	X128

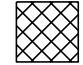


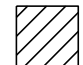
STATE OF SOUTH DAKOTA	PROJECT	SHEET	TOTAL SHEETS
	NH-CR 0034(193)402	X79	X128



STATE OF SOUTH DAKOTA	PROJECT	SHEET	TOTAL SHEETS
	NH-CR 0034(193)402	X80	X128

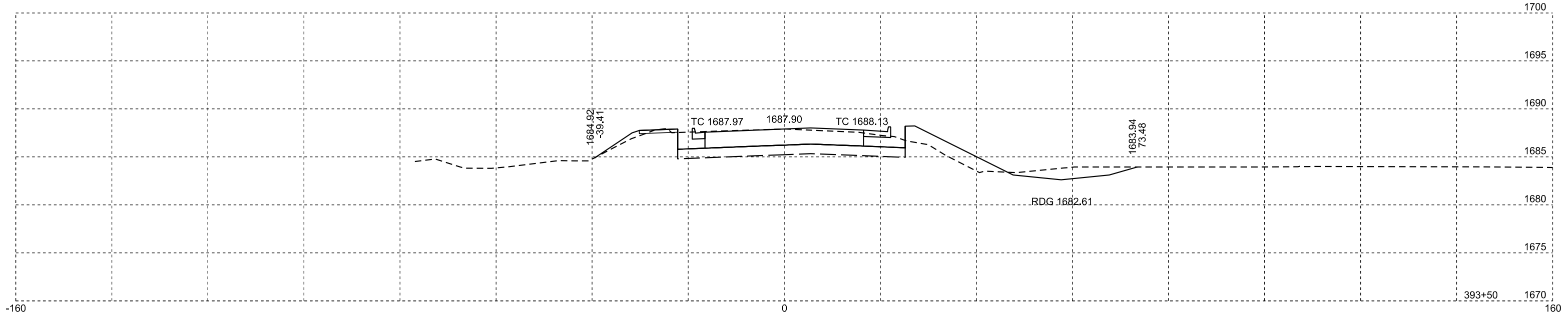
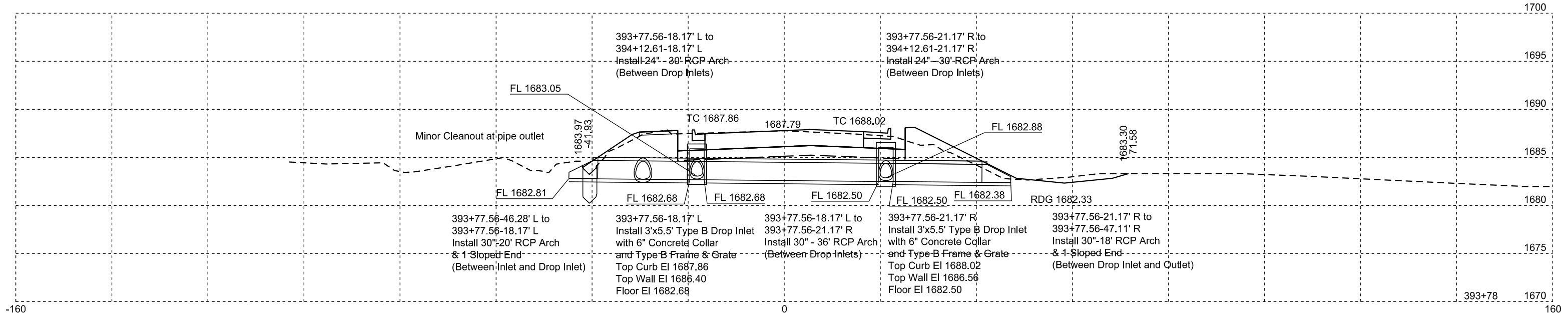
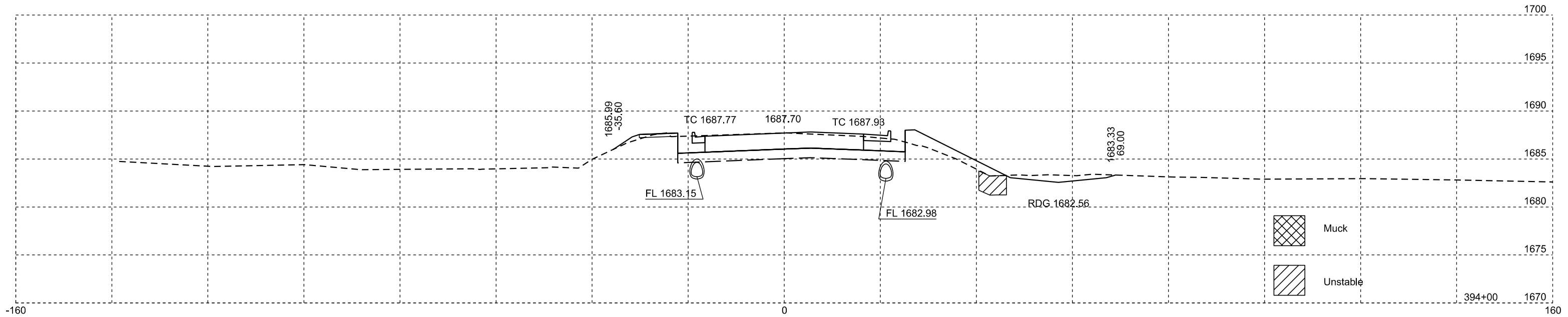


 Muck

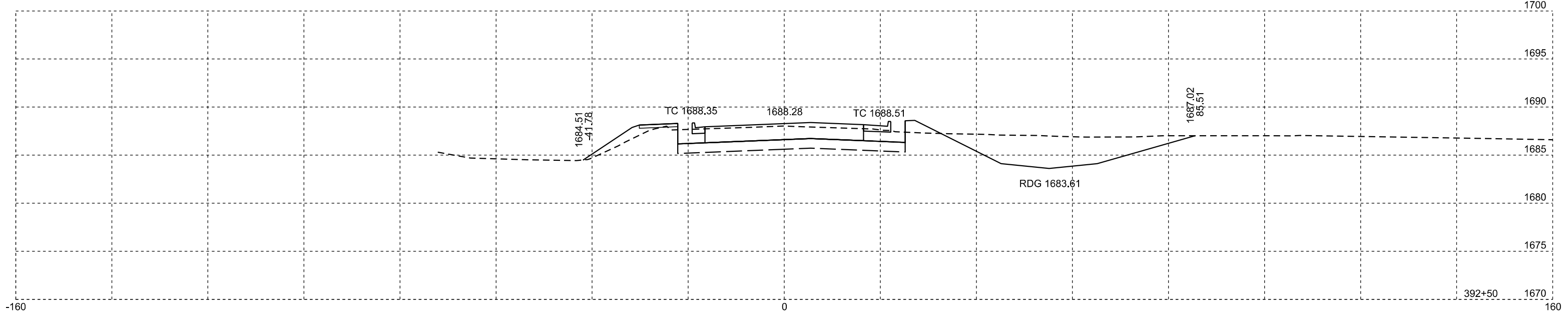
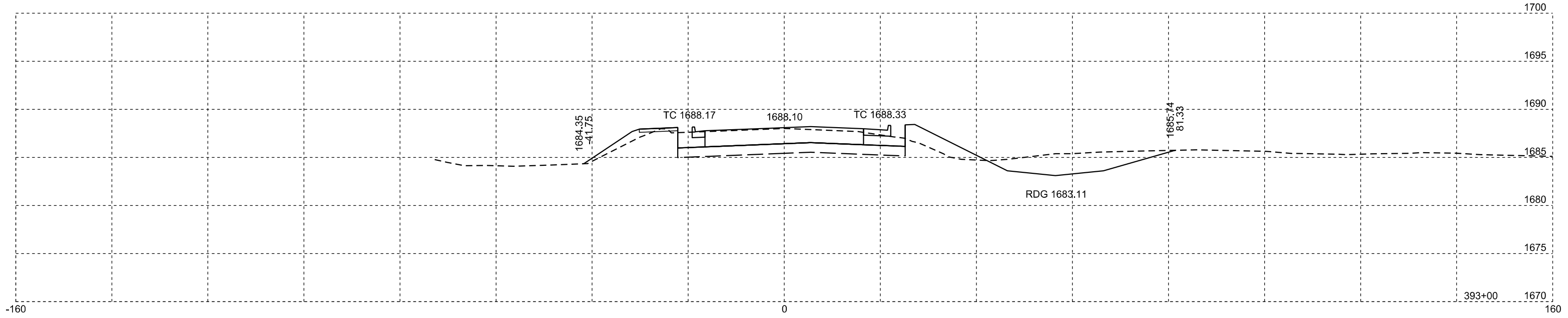
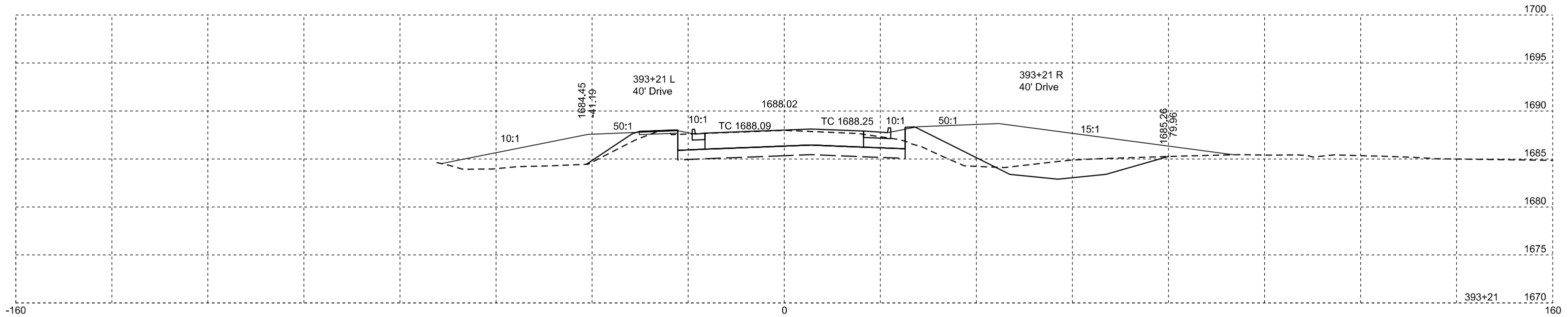
 Unstable



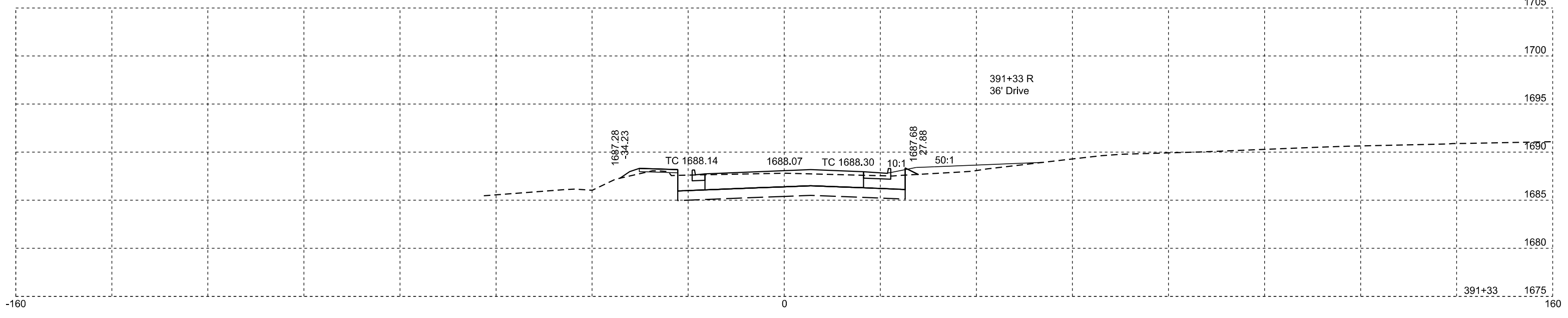
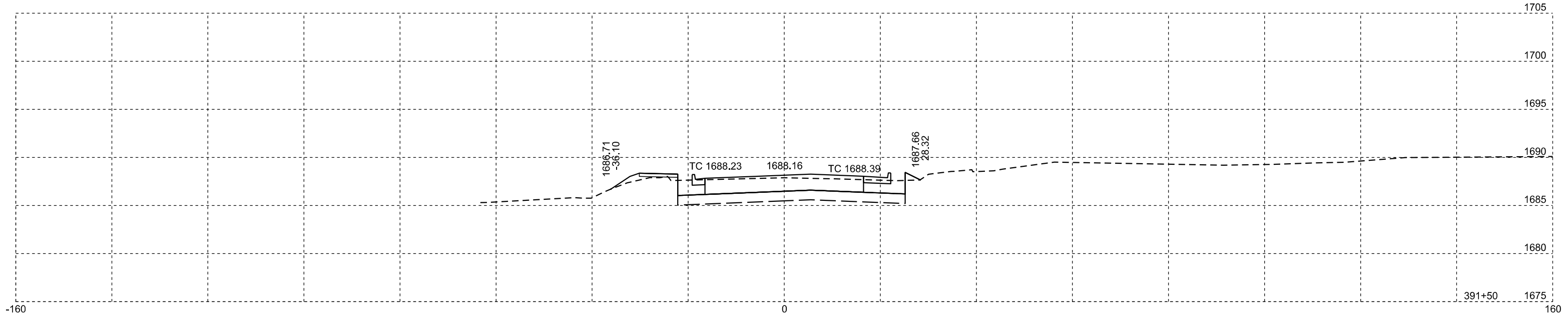
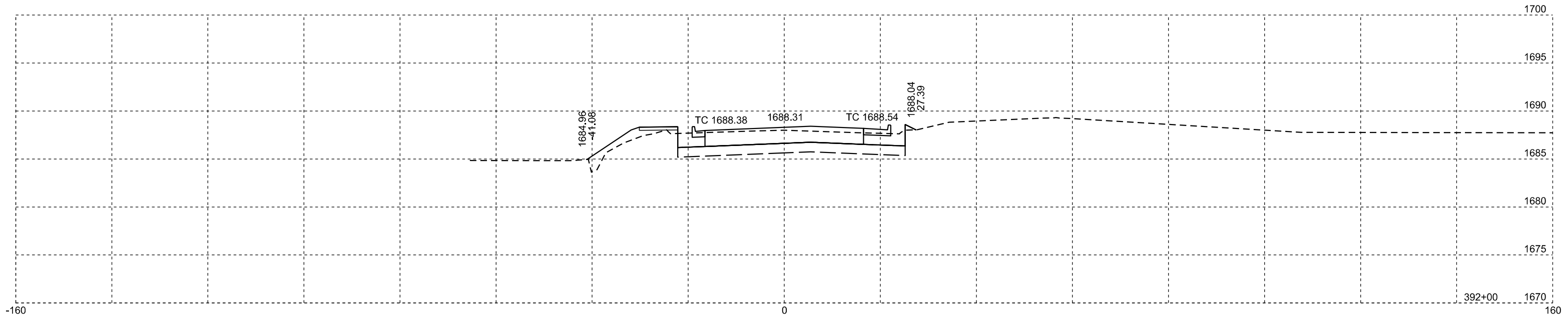
STATE OF SOUTH DAKOTA	PROJECT	SHEET	TOTAL SHEETS
	NH-CR 0034(193)402	X81	X128



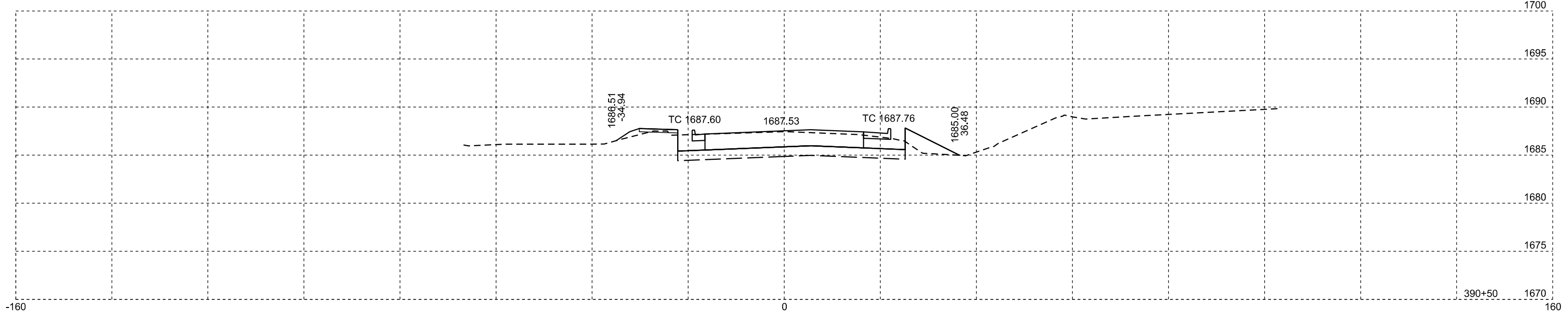
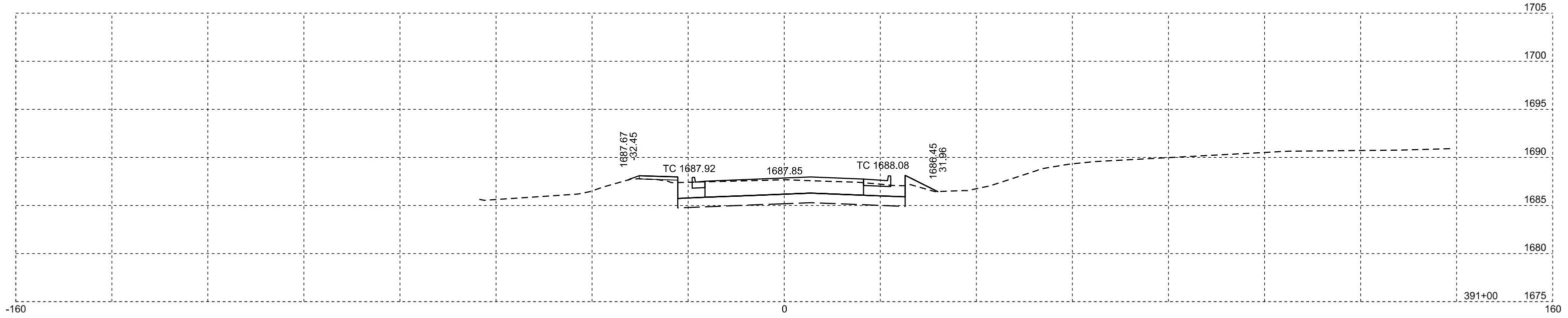
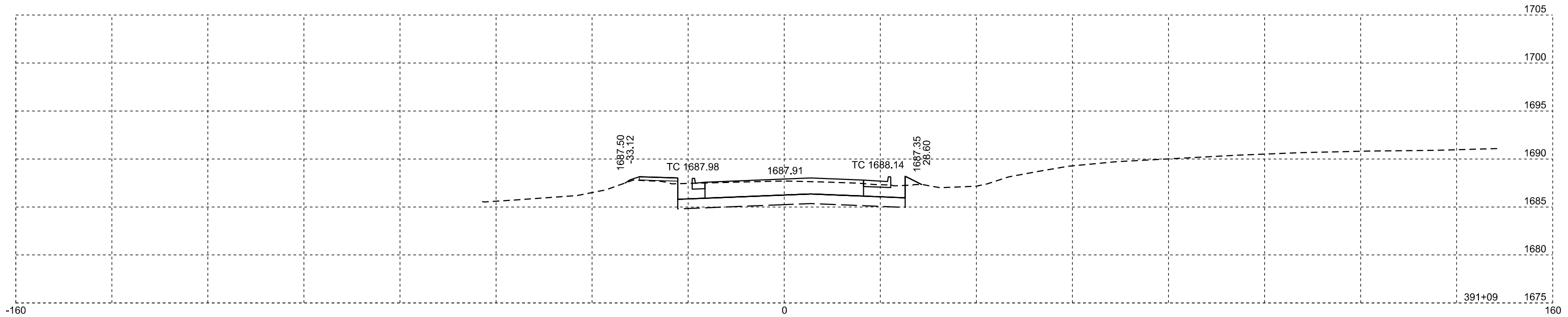
STATE OF SOUTH DAKOTA	PROJECT	SHEET	TOTAL SHEETS
	NH-CR 0034(193)402	X82	X128



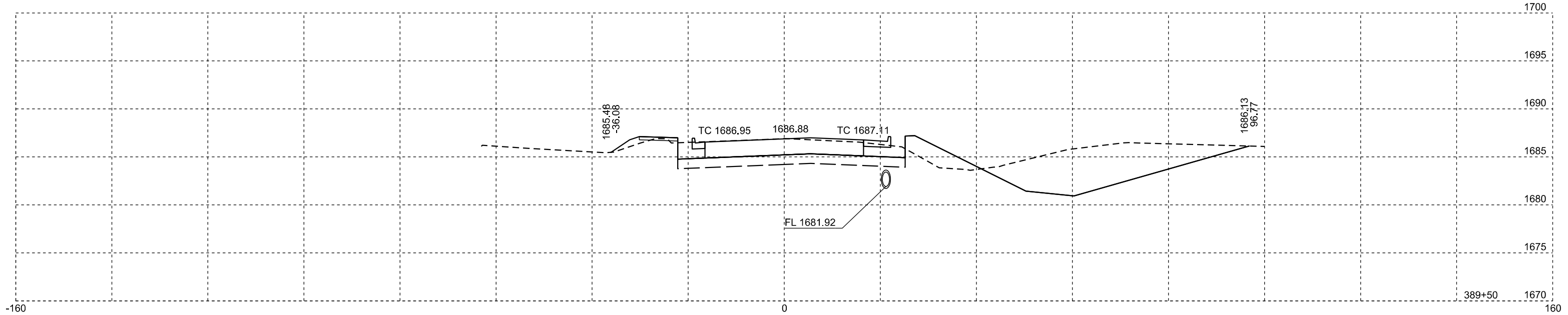
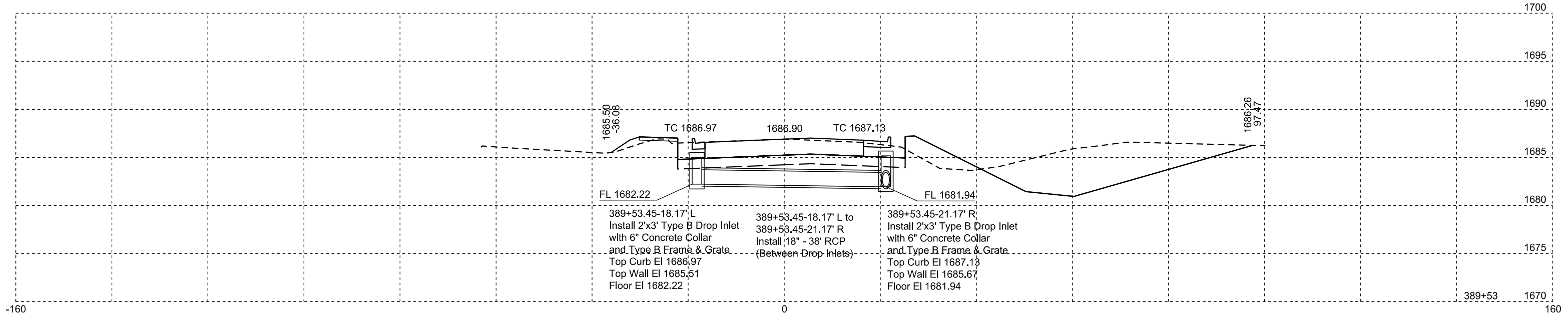
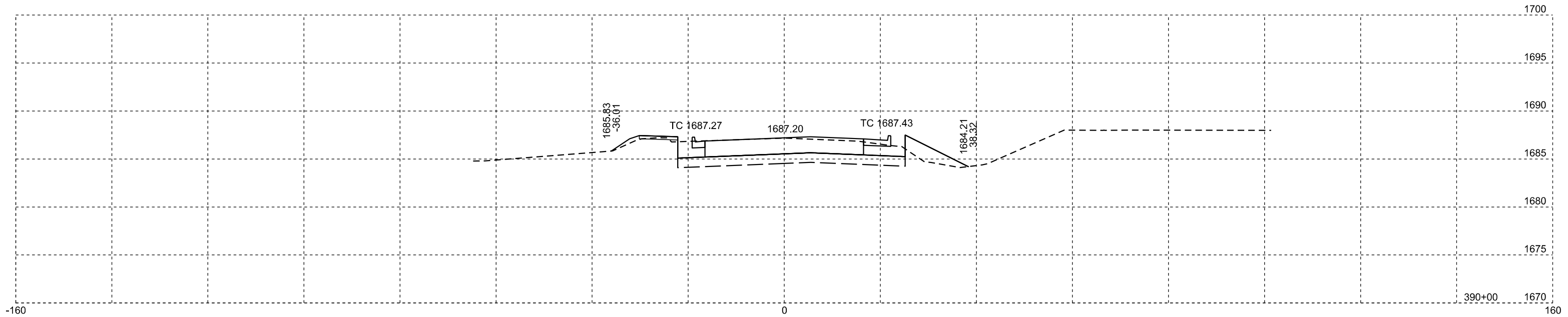
STATE OF SOUTH DAKOTA	PROJECT	SHEET	TOTAL SHEETS
	NH-CR 0034(193)402	X83	X128



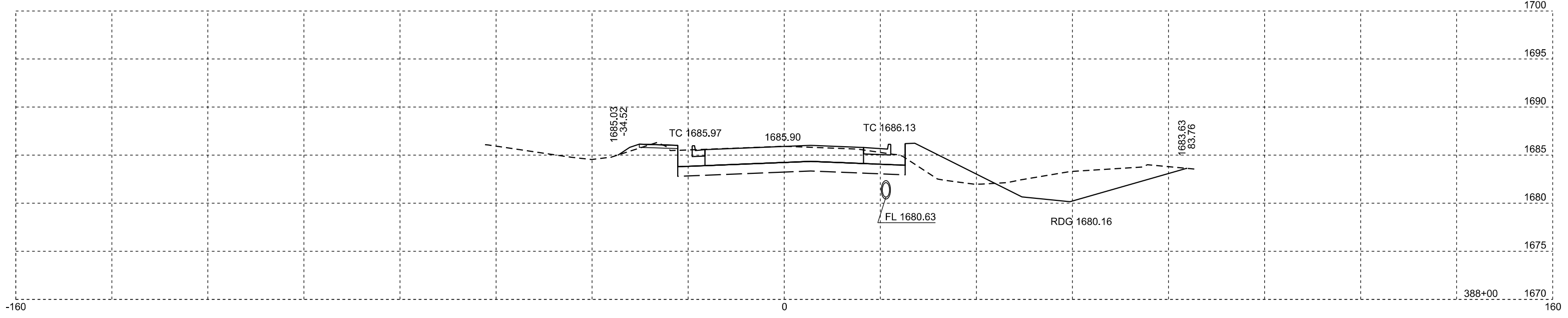
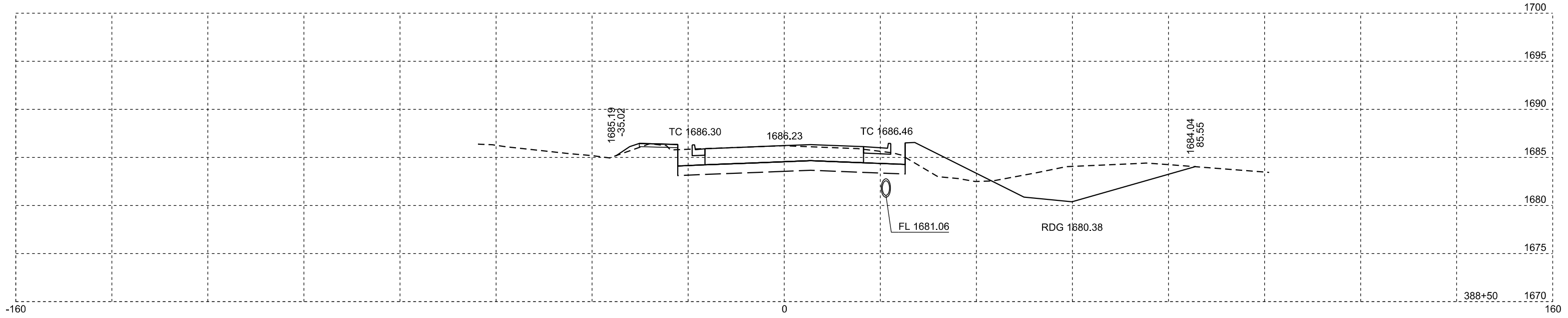
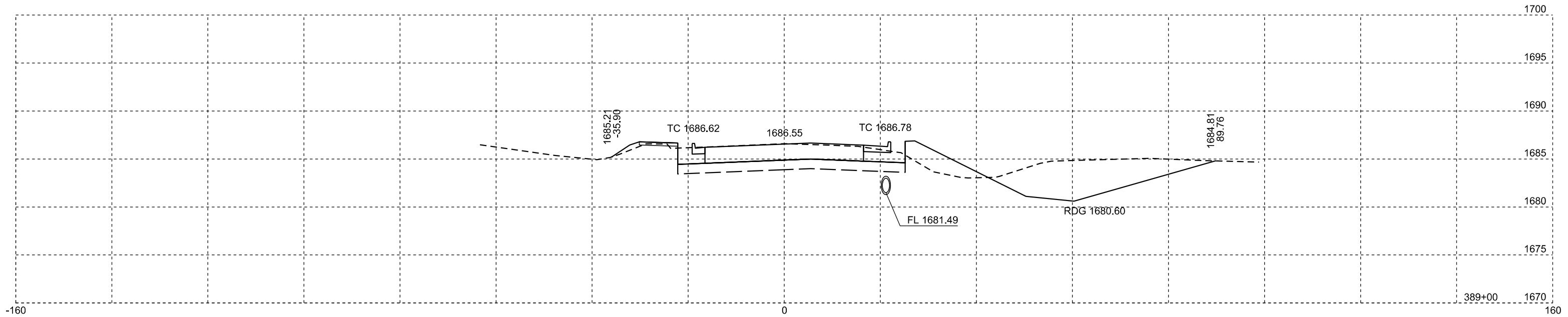
STATE OF SOUTH DAKOTA	PROJECT	SHEET	TOTAL SHEETS
	NH-CR 0034(193)402	X84	X128



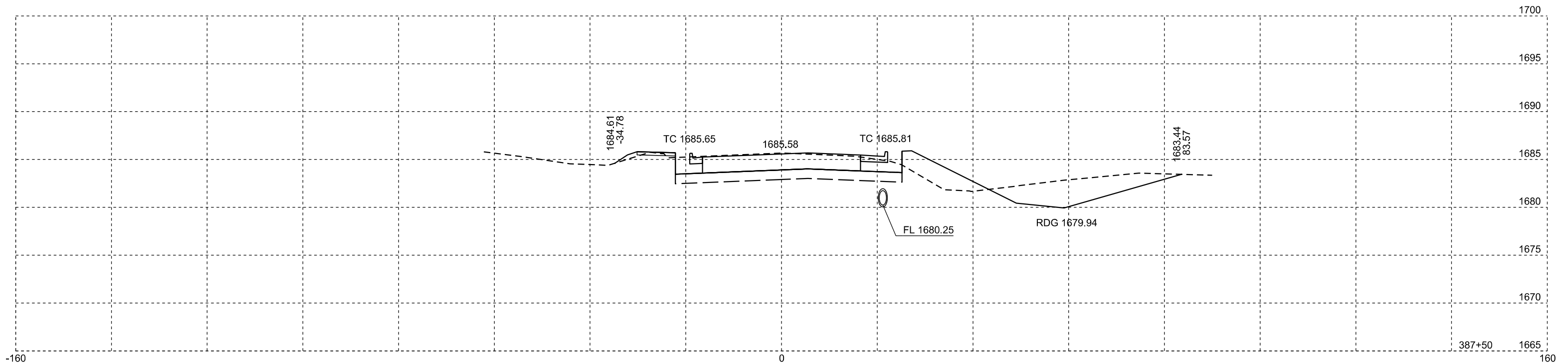
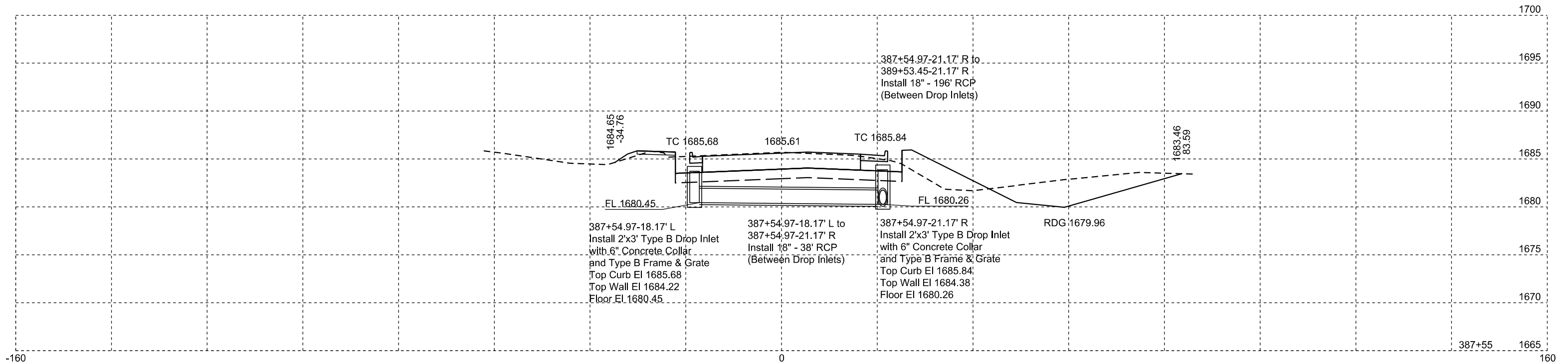
STATE OF SOUTH DAKOTA	PROJECT	SHEET	TOTAL SHEETS
	NH-CR 0034(193)402	X85	X128



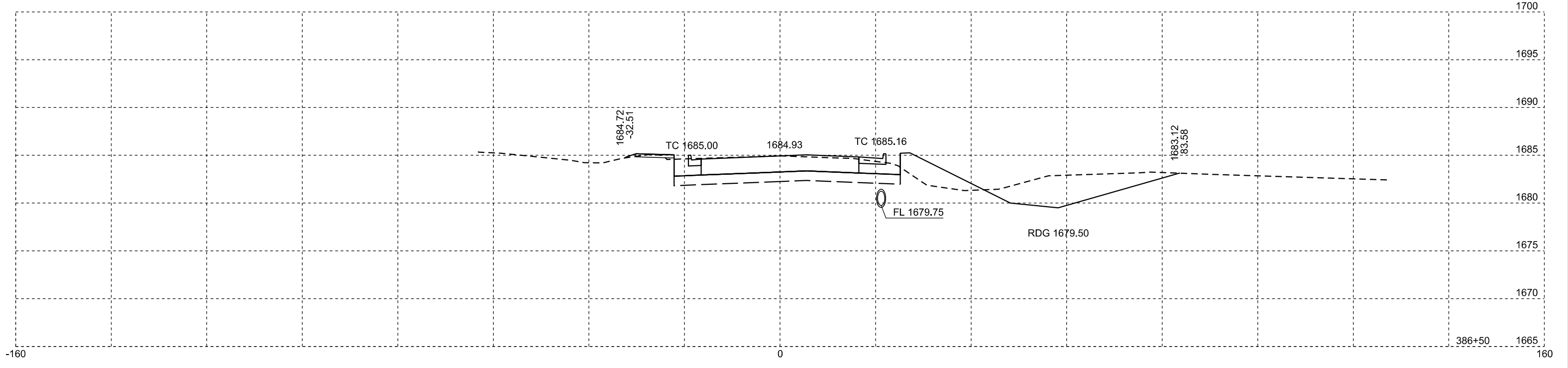
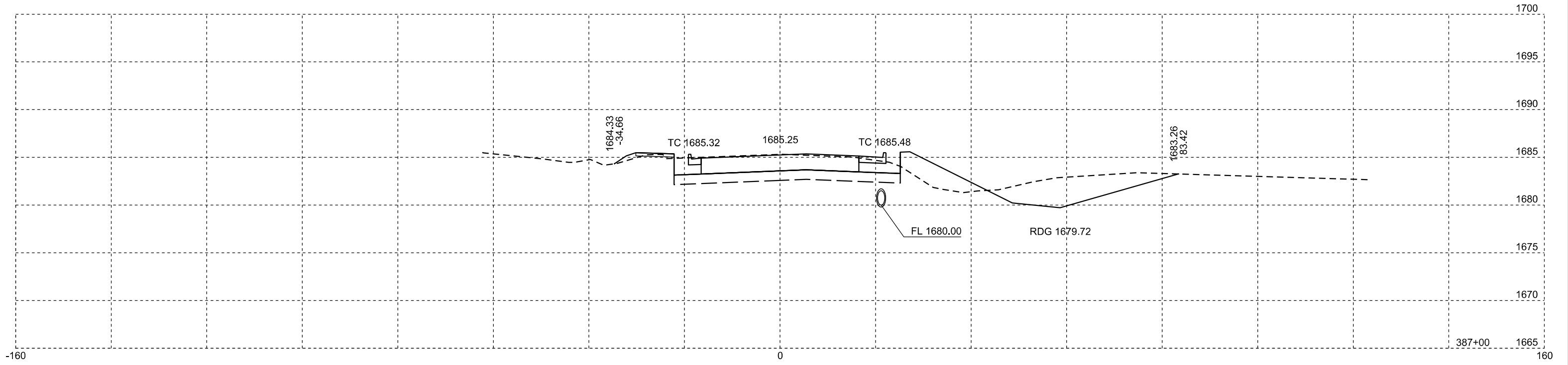
STATE OF SOUTH DAKOTA	PROJECT	SHEET	TOTAL SHEETS
	NH-CR 0034(193)402	X86	X128



STATE OF SOUTH DAKOTA	PROJECT	SHEET	TOTAL SHEETS
	NH-CR 0034(193)402	X87	X128

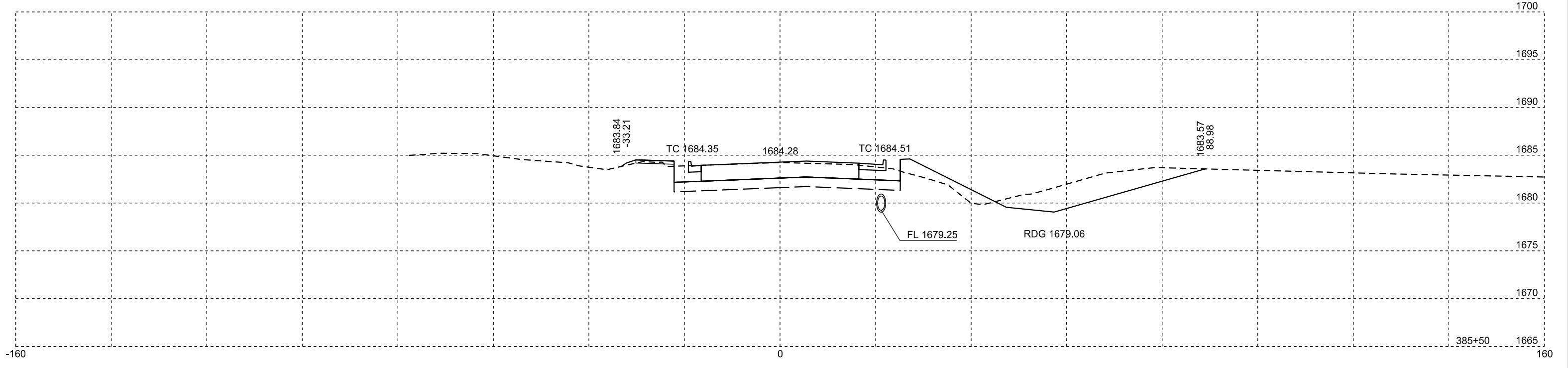
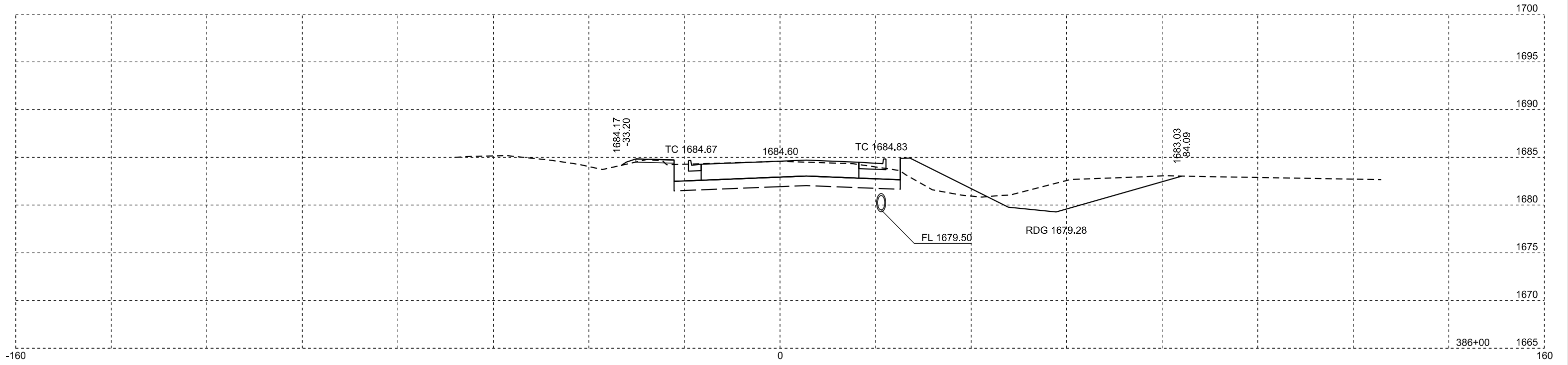


STATE OF SOUTH DAKOTA	PROJECT	SHEET	TOTAL SHEETS
	NH-CR 0034(193)402	X88	X128

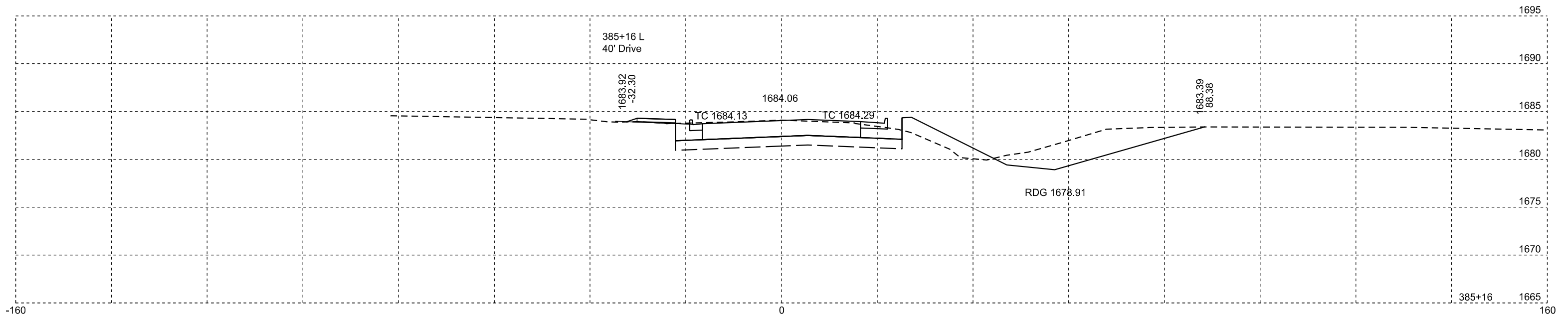
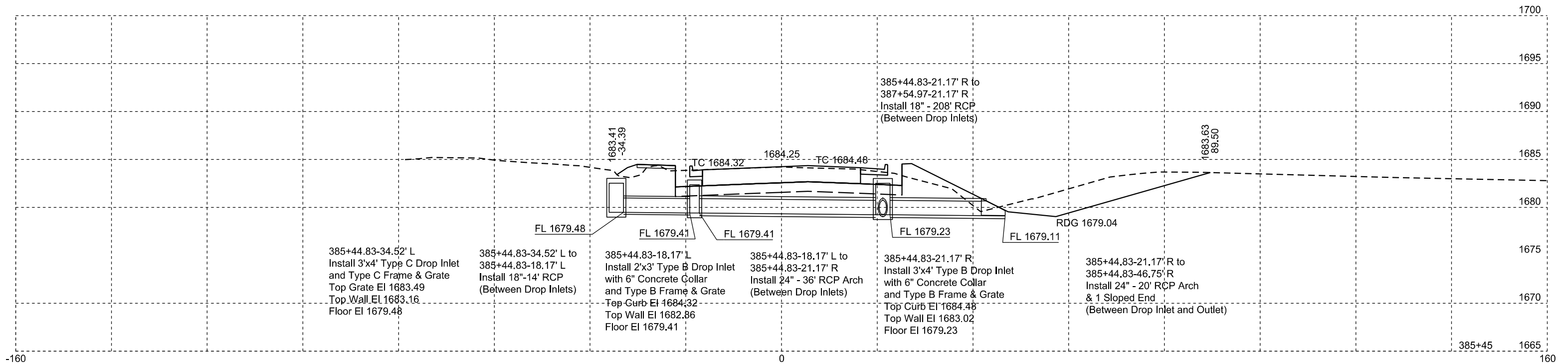




STATE OF SOUTH DAKOTA	PROJECT	SHEET	TOTAL SHEETS
	NH-CR 0034(193)402	X89	X128

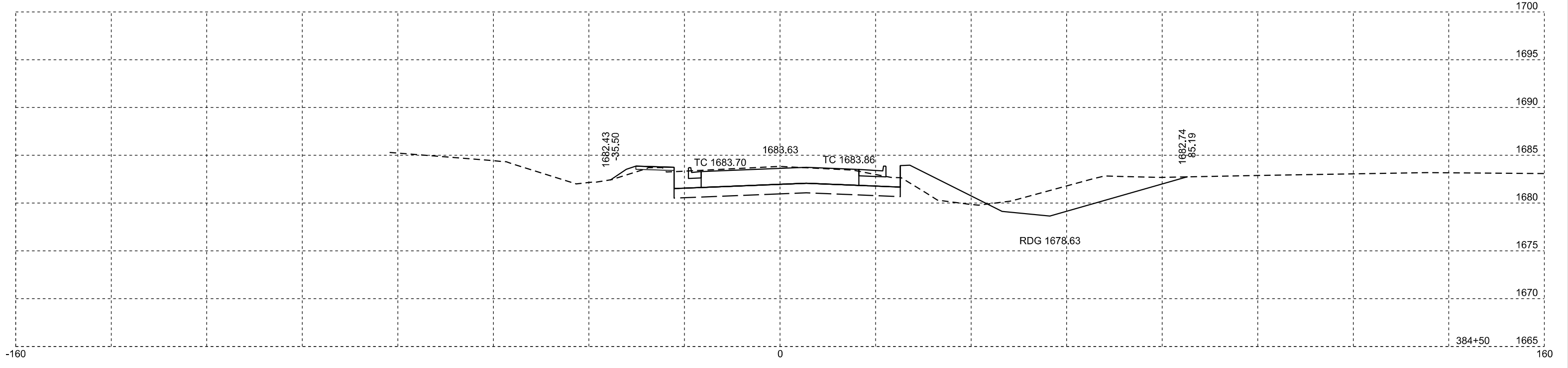
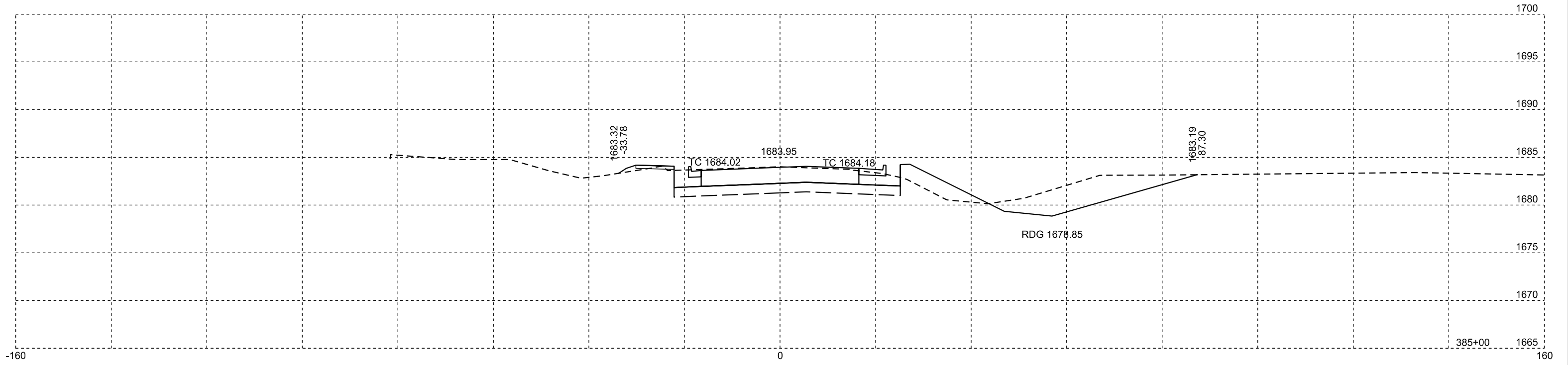


STATE OF SOUTH DAKOTA	PROJECT	SHEET	TOTAL SHEETS
	NH-CR 0034(193)402	X90	X128

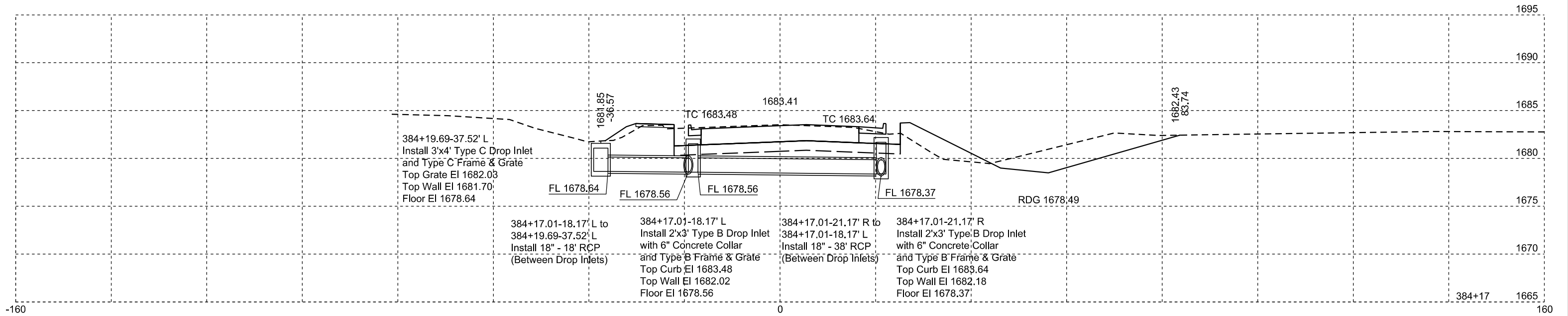
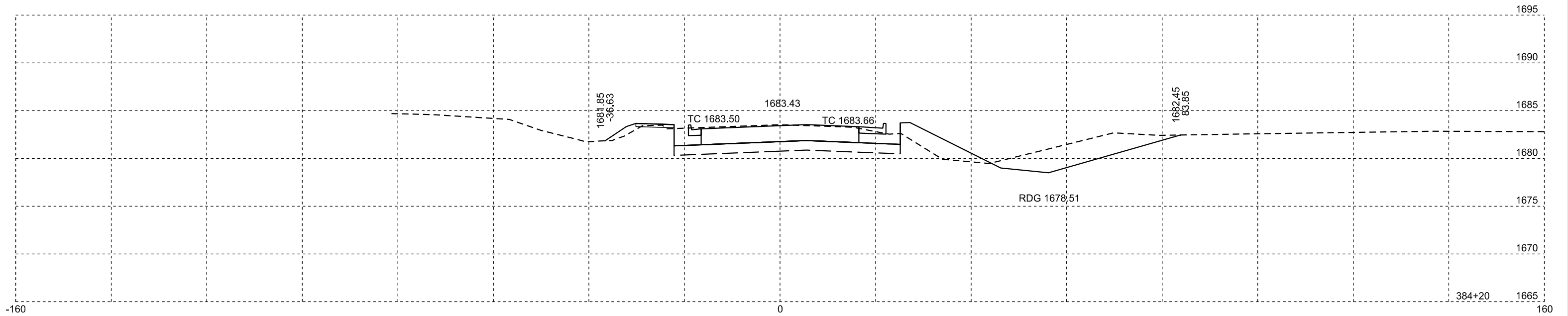


Plotting Date: 08/13/2024

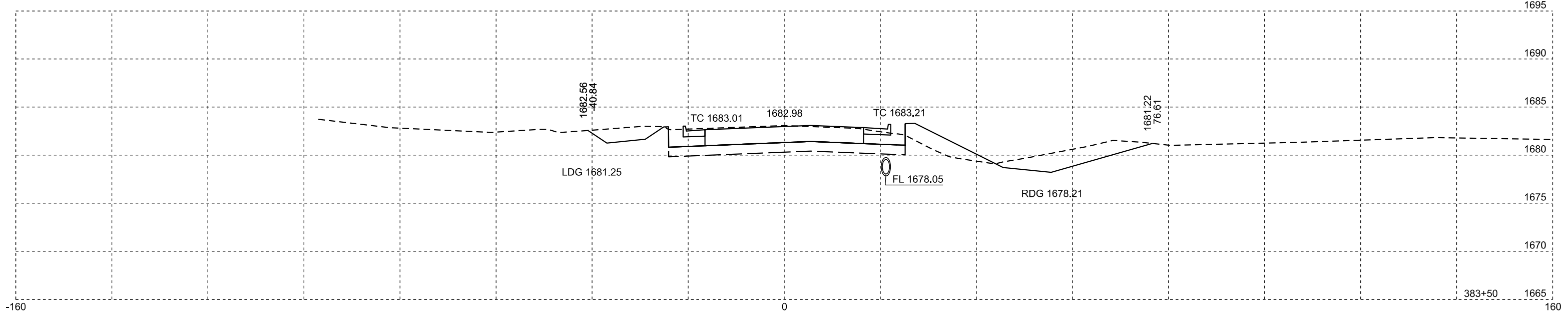
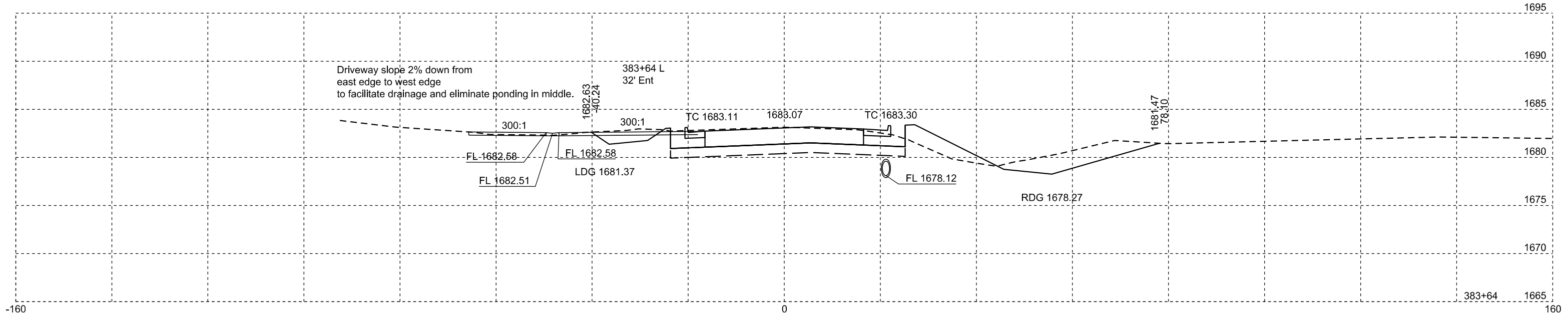
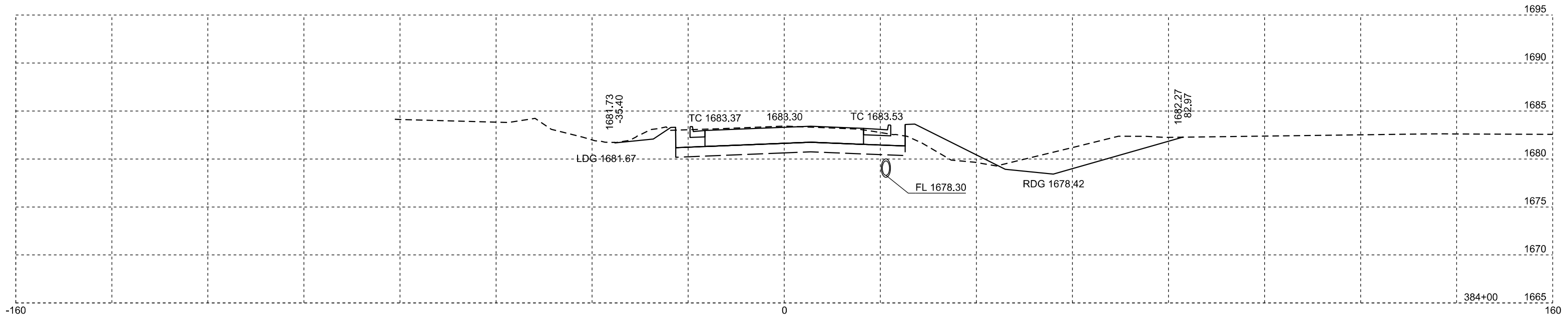
STATE OF SOUTH DAKOTA	PROJECT	SHEET	TOTAL SHEETS
	NH-CR 0034(193)402	X91	X128



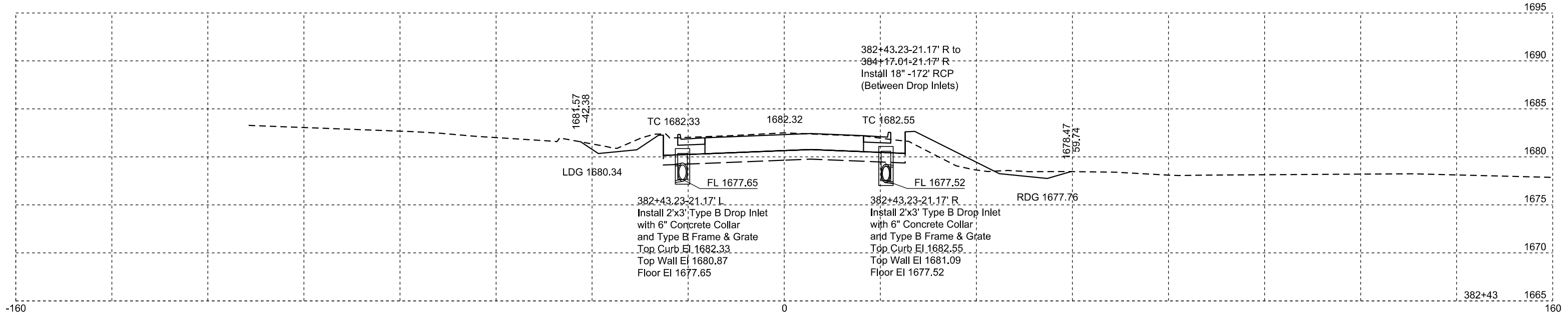
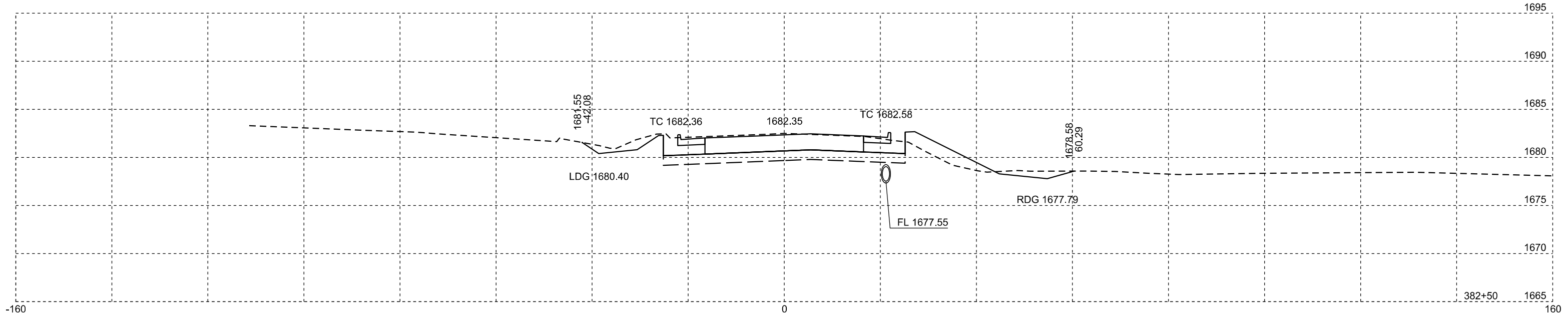
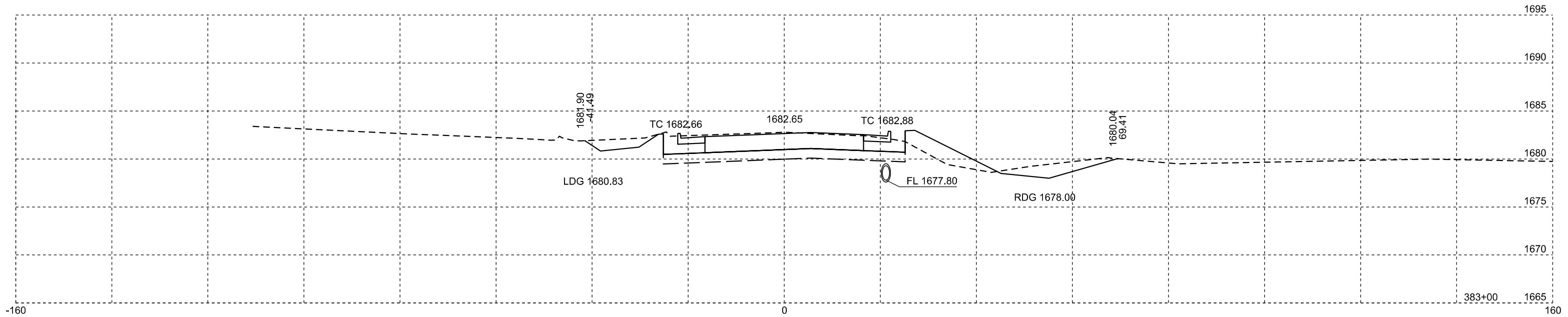
STATE OF SOUTH DAKOTA	PROJECT	SHEET	TOTAL SHEETS
	NH-CR 0034(193)402	X92	X128



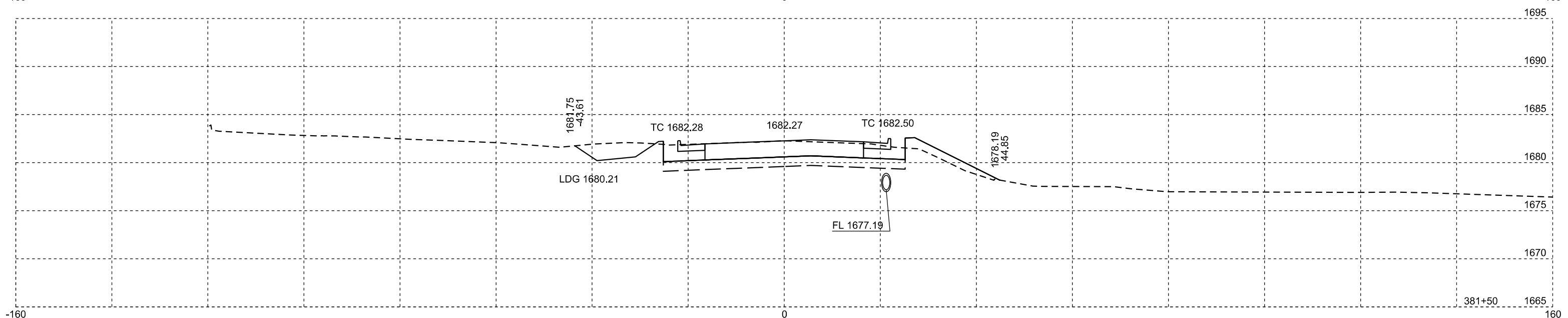
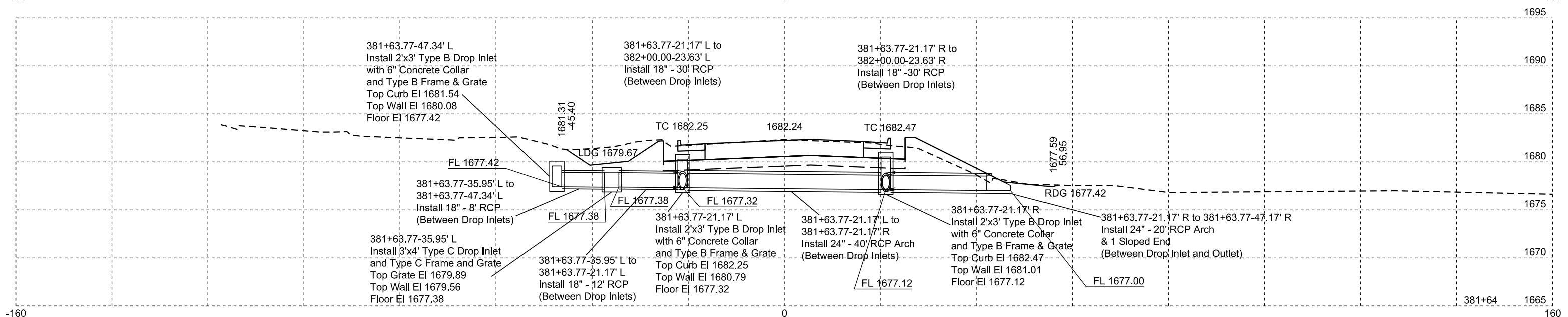
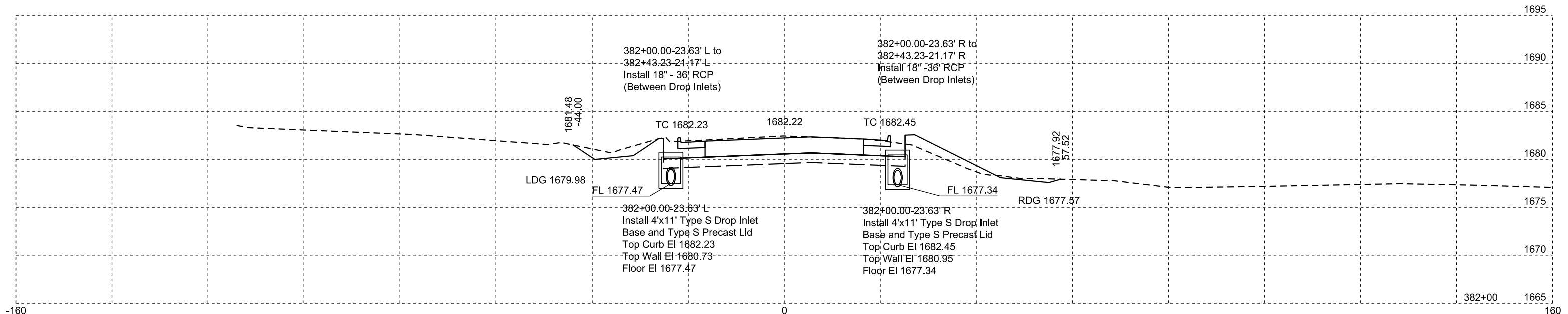
STATE OF SOUTH DAKOTA	PROJECT	SHEET	TOTAL SHEETS
	NH-CR 0034(193)402	X93	X128



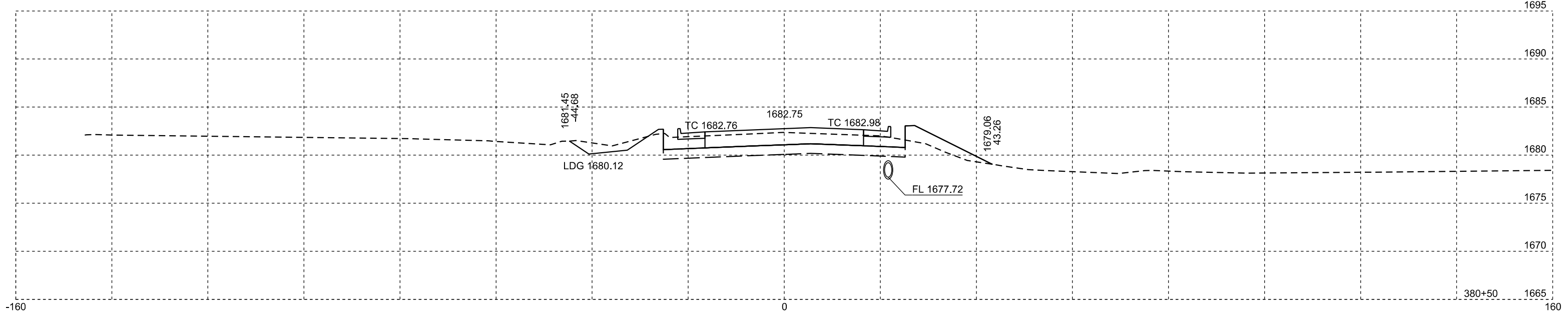
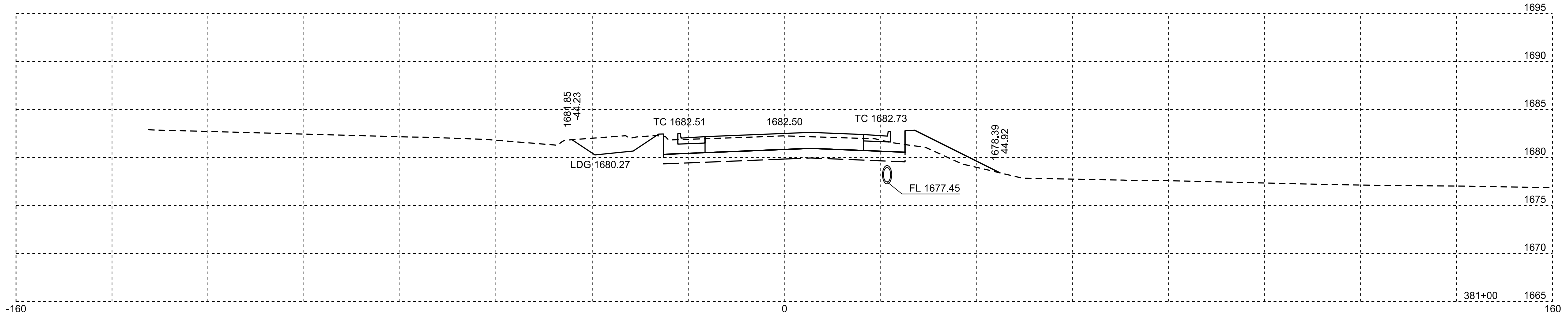
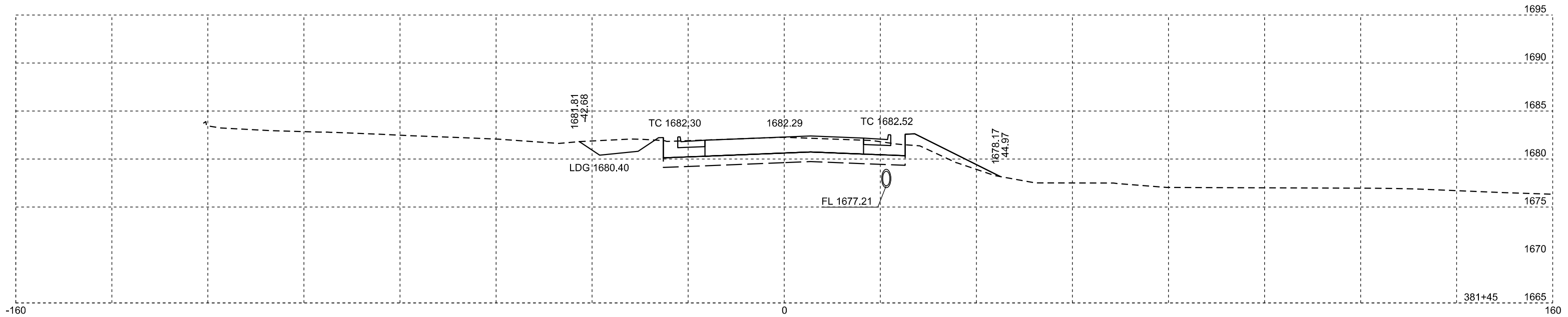
STATE OF SOUTH DAKOTA	PROJECT	SHEET	TOTAL SHEETS
	NH-CR 0034(193)402	X94	X128



STATE OF SOUTH DAKOTA	PROJECT	SHEET	TOTAL SHEETS
	NH-CR 0034(193)402	X95	X128

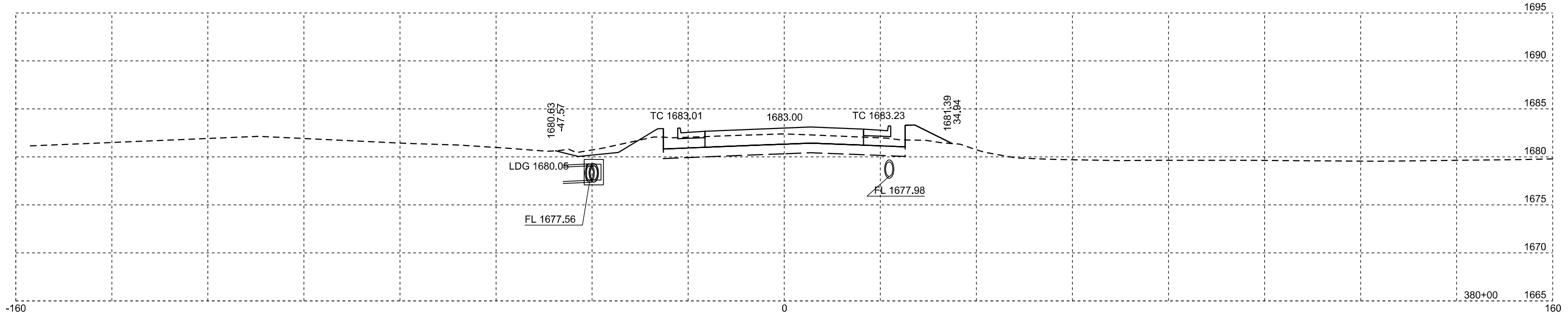
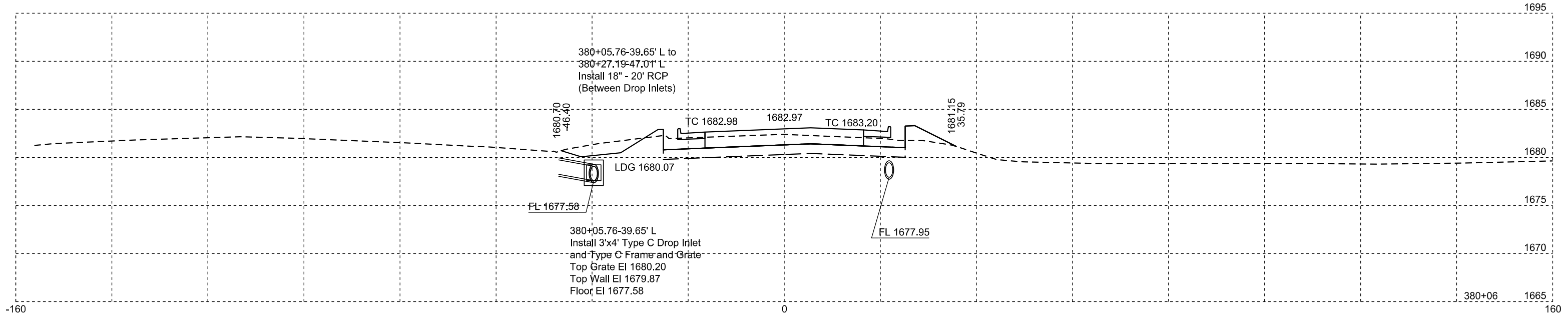
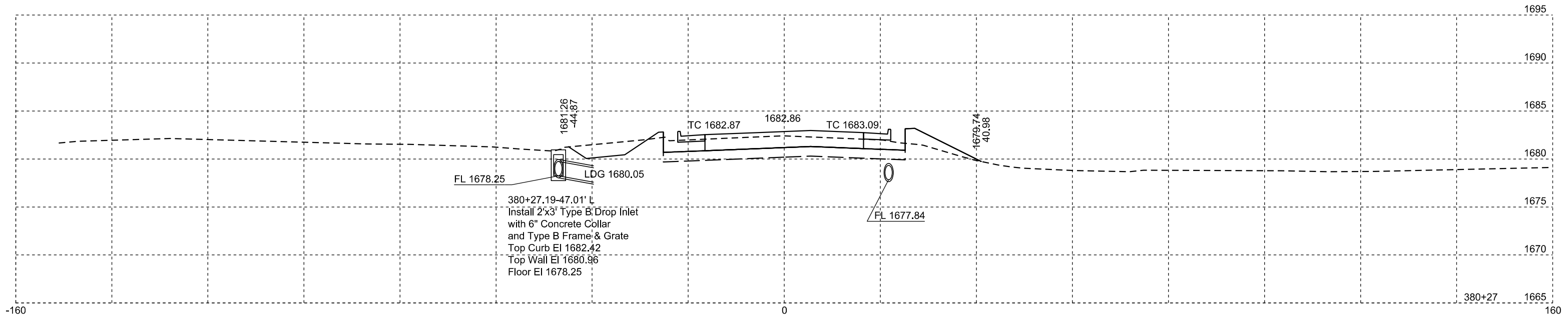


STATE OF SOUTH DAKOTA	PROJECT	SHEET	TOTAL SHEETS
	NH-CR 0034(193)402	X96	X128

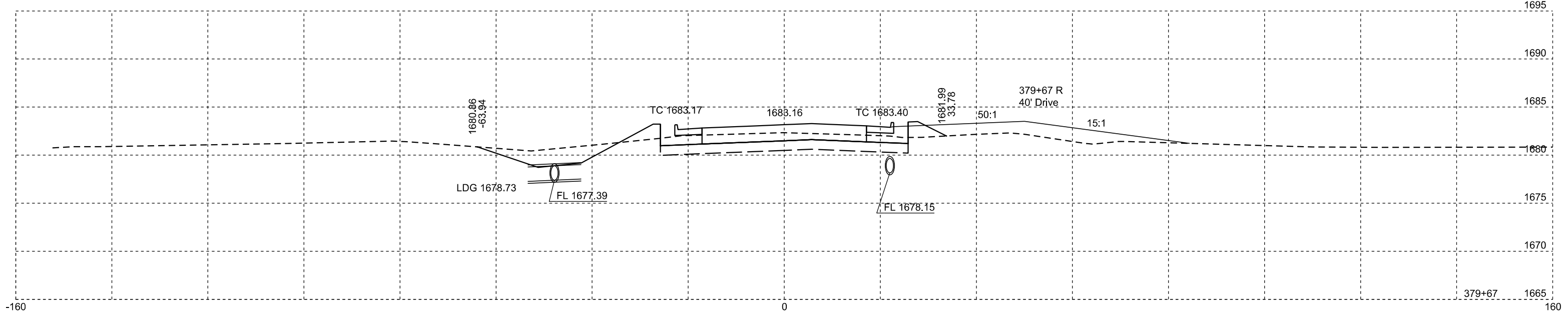
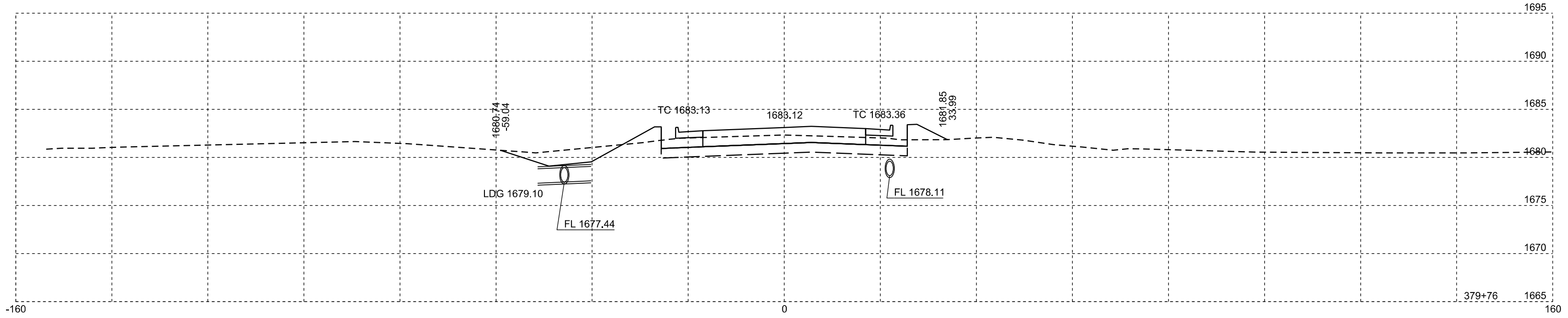
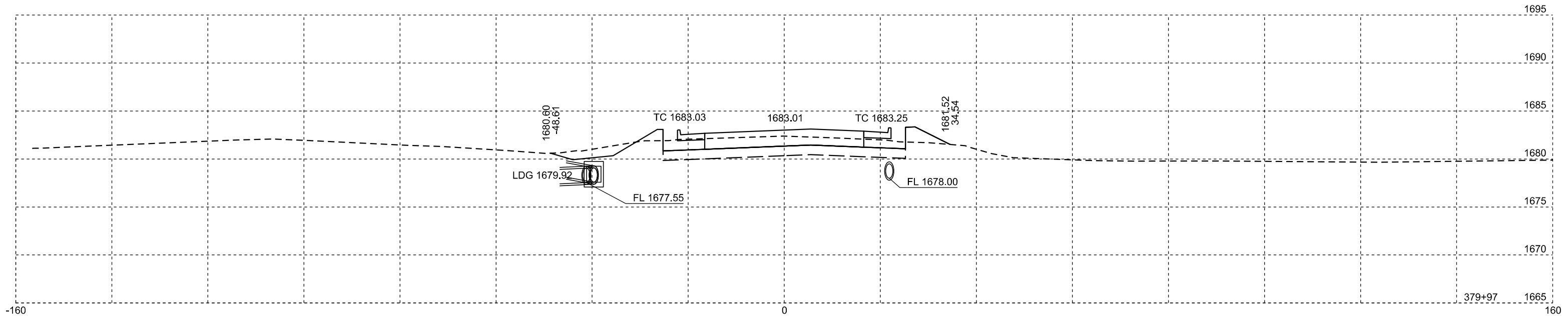




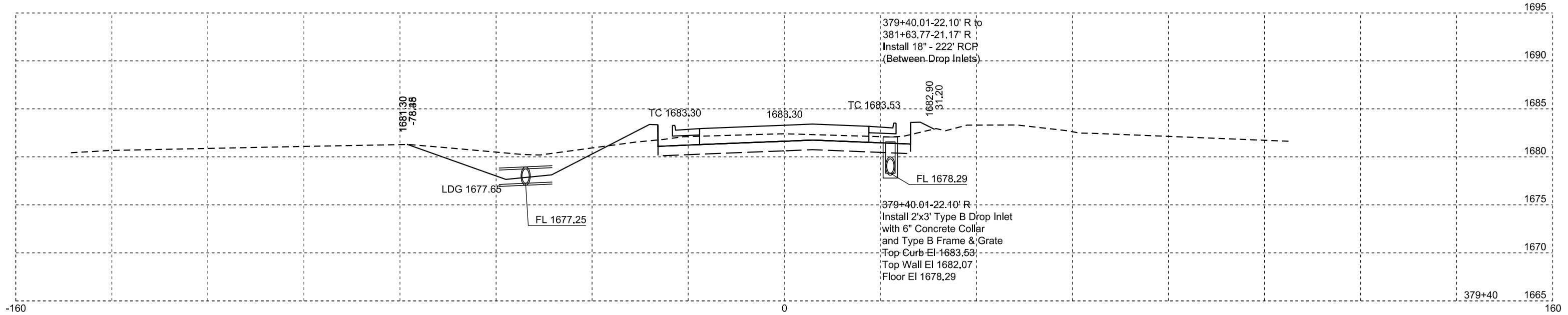
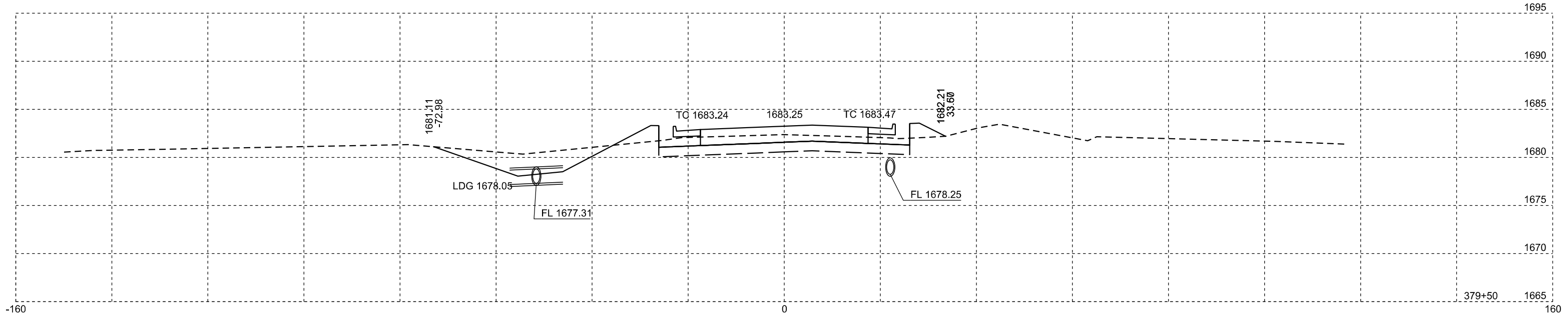
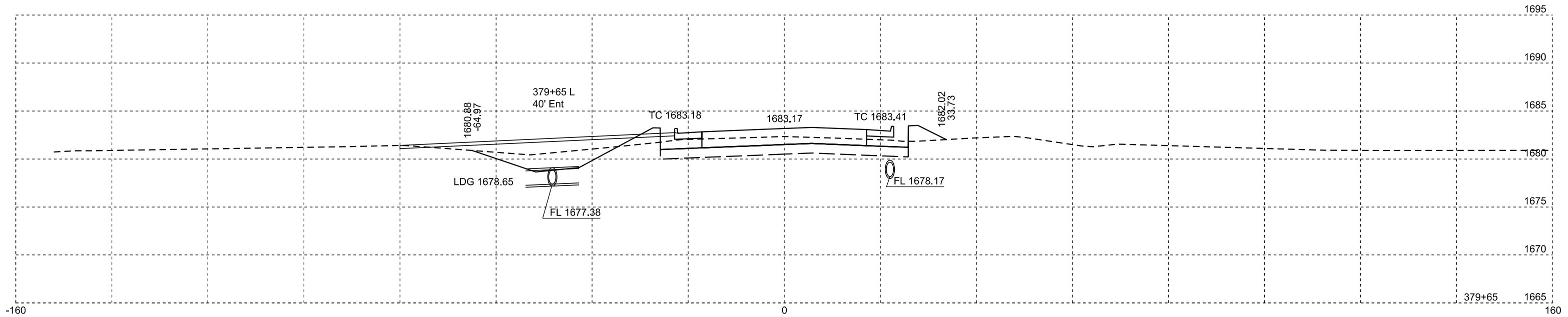
STATE OF SOUTH DAKOTA	PROJECT	SHEET	TOTAL SHEETS
	NH-CR 0034(193)402	X97	X128



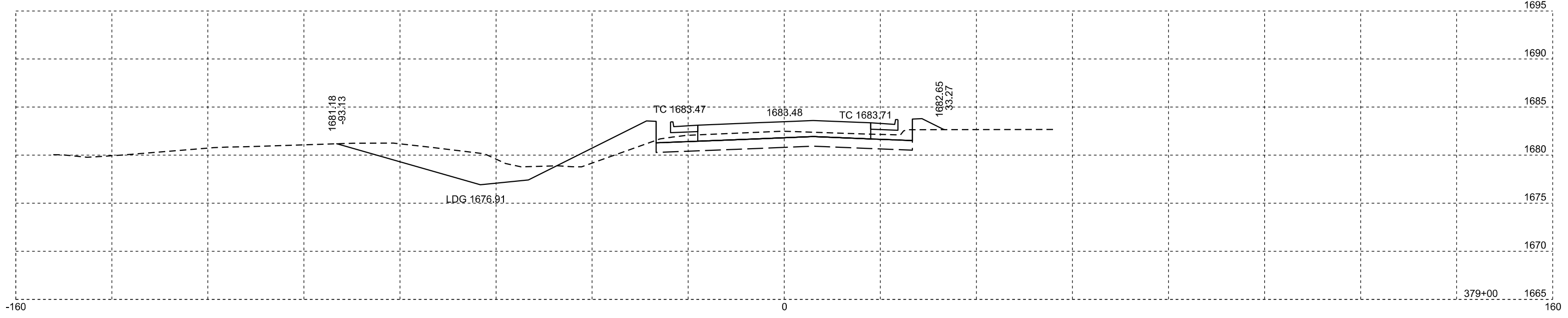
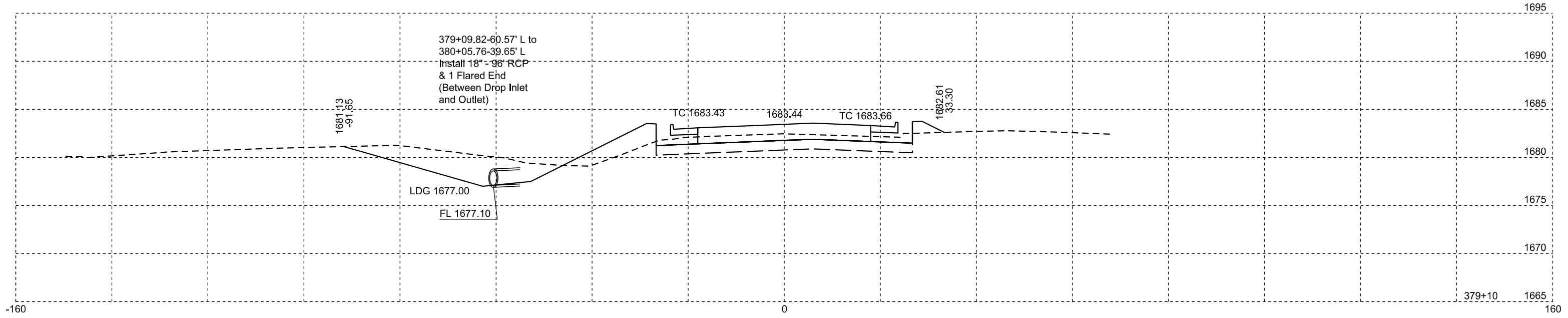
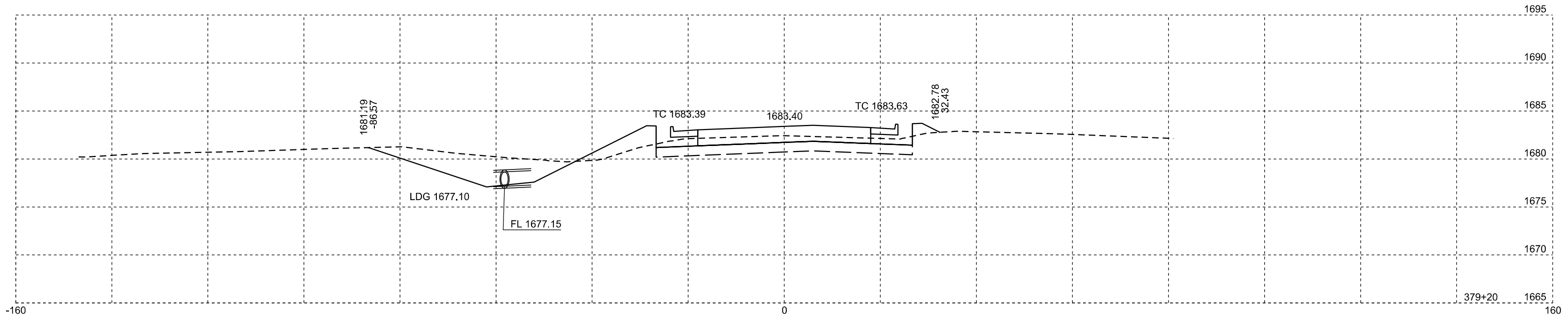
STATE OF SOUTH DAKOTA	PROJECT	SHEET	TOTAL SHEETS
	NH-CR 0034(193)402	X98	X128



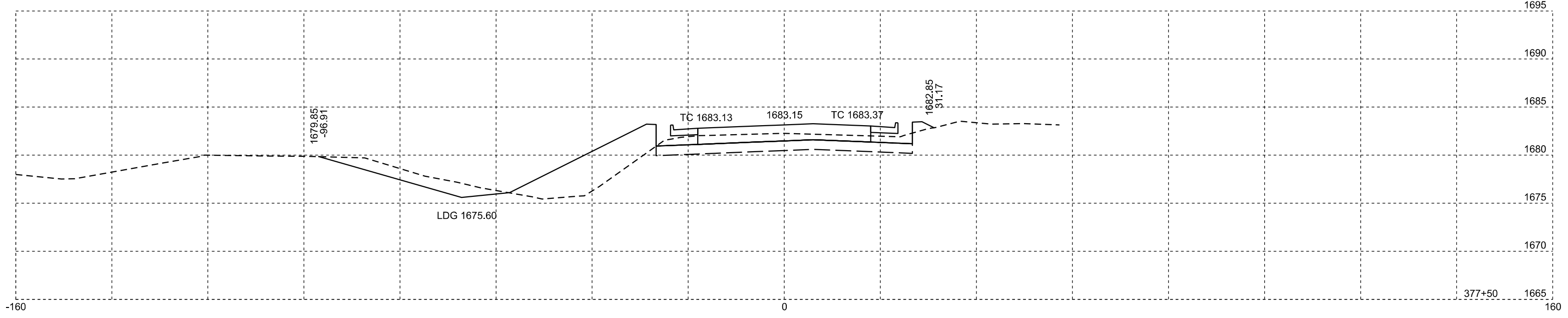
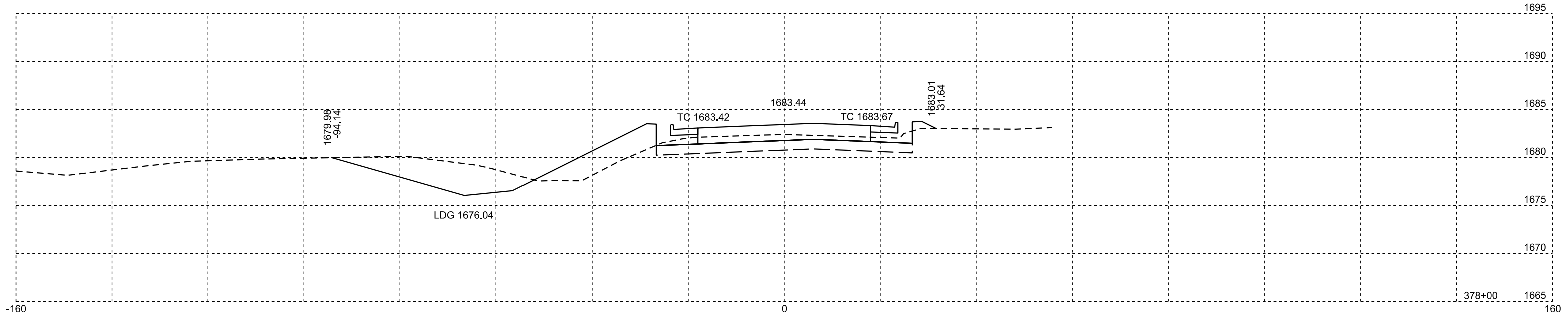
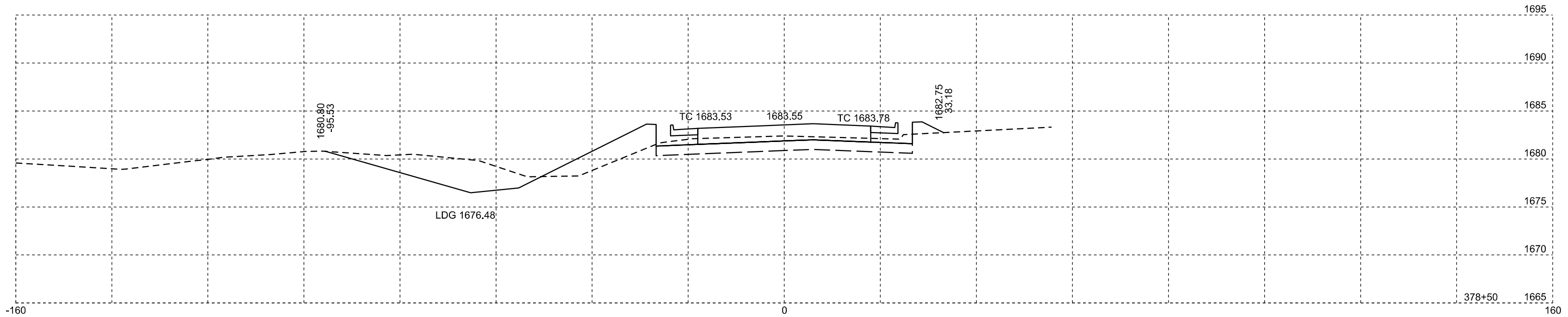
STATE OF SOUTH DAKOTA	PROJECT	SHEET	TOTAL SHEETS
	NH-CR 0034(193)402	X99	X128



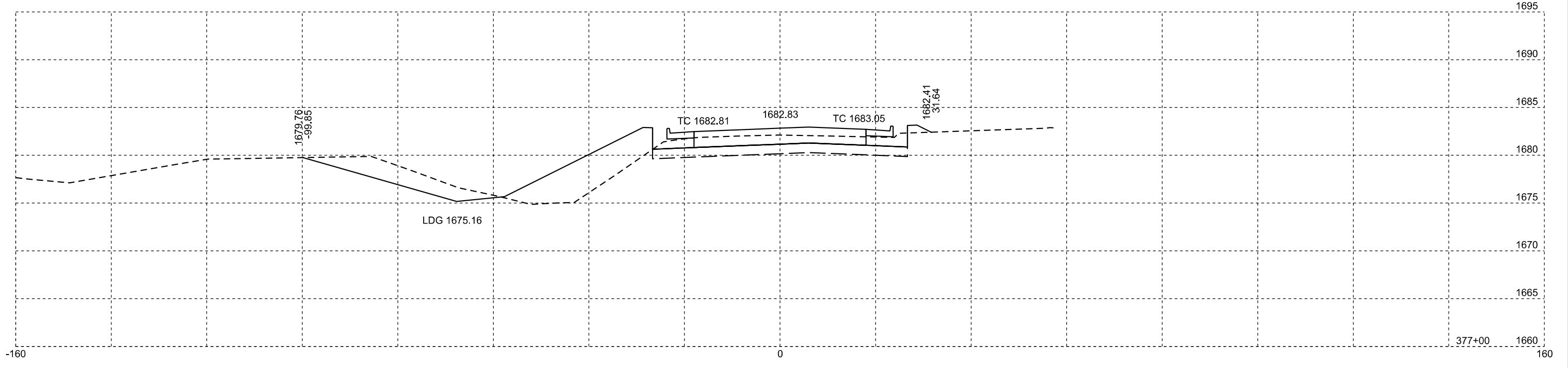
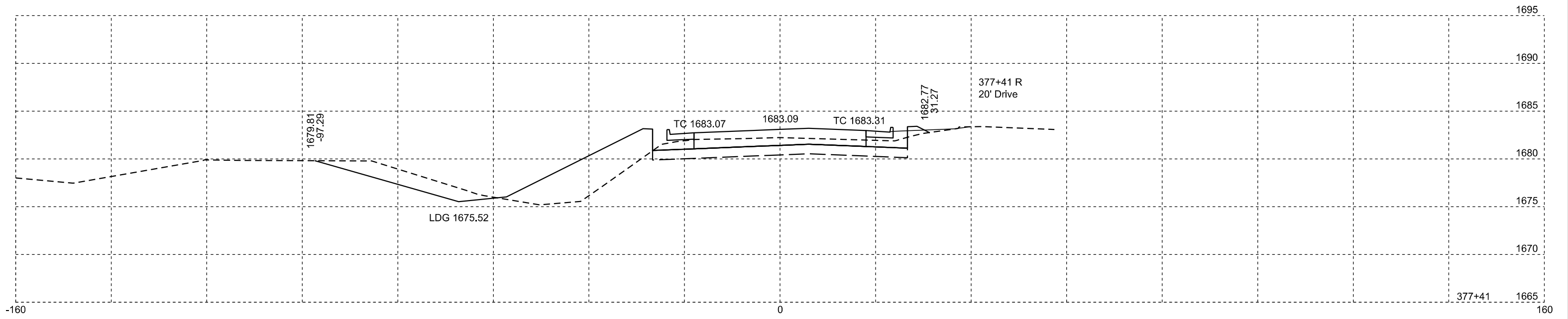
STATE OF SOUTH DAKOTA	PROJECT	SHEET	TOTAL SHEETS
	NH-CR 0034(193)402	X100	X128



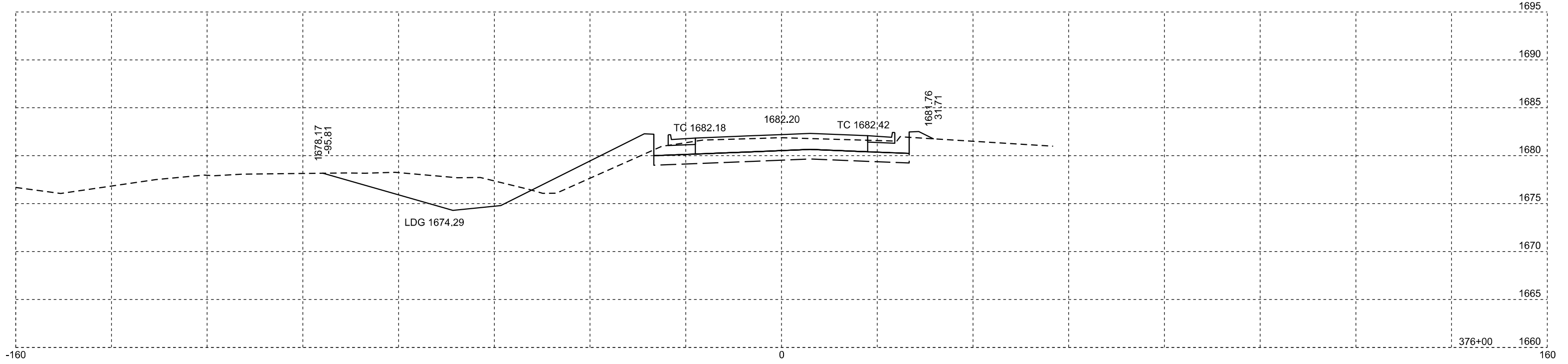
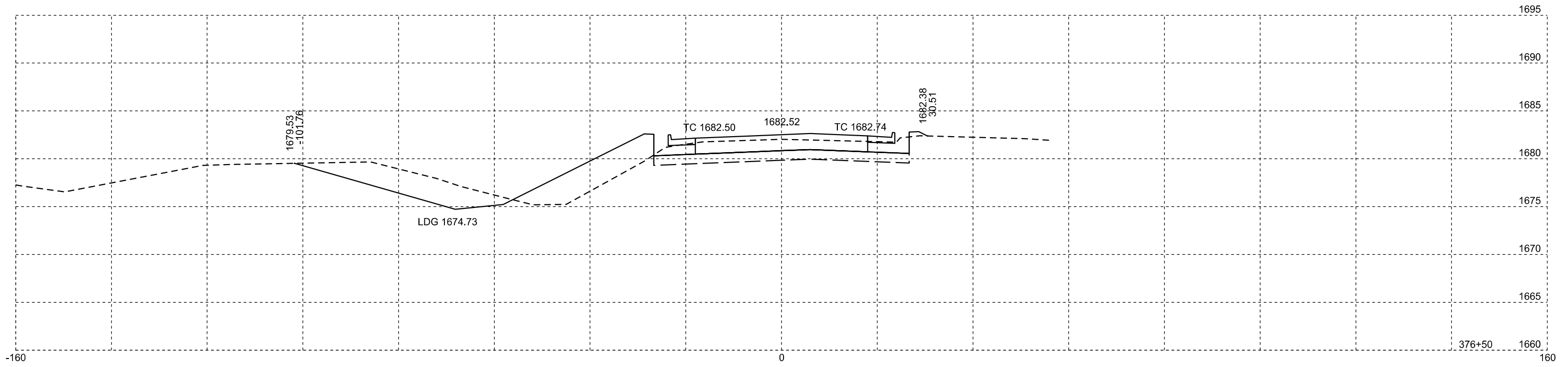
STATE OF SOUTH DAKOTA	PROJECT	SHEET	TOTAL SHEETS
	NH-CR 0034(193)402	X101	X128



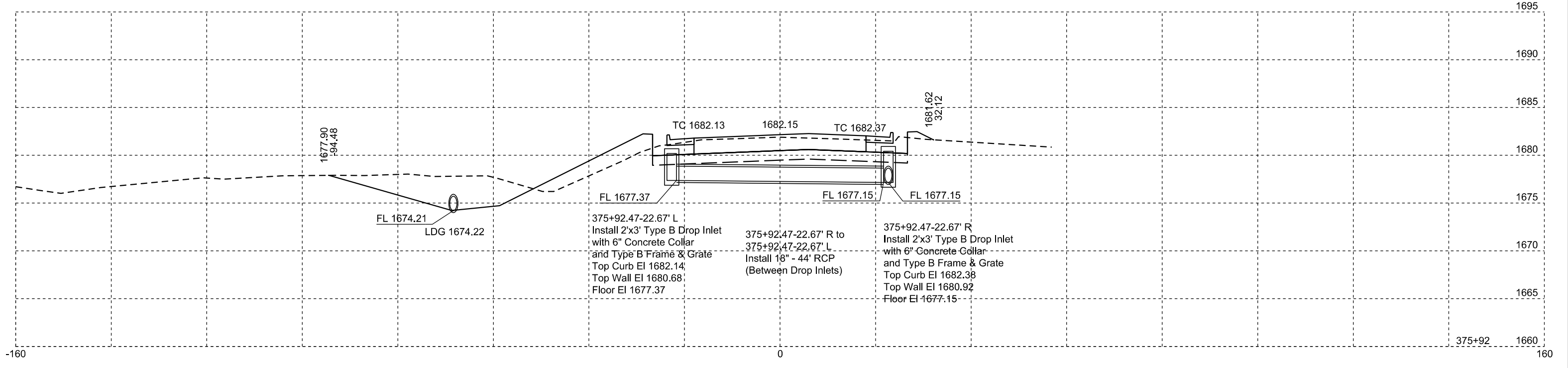
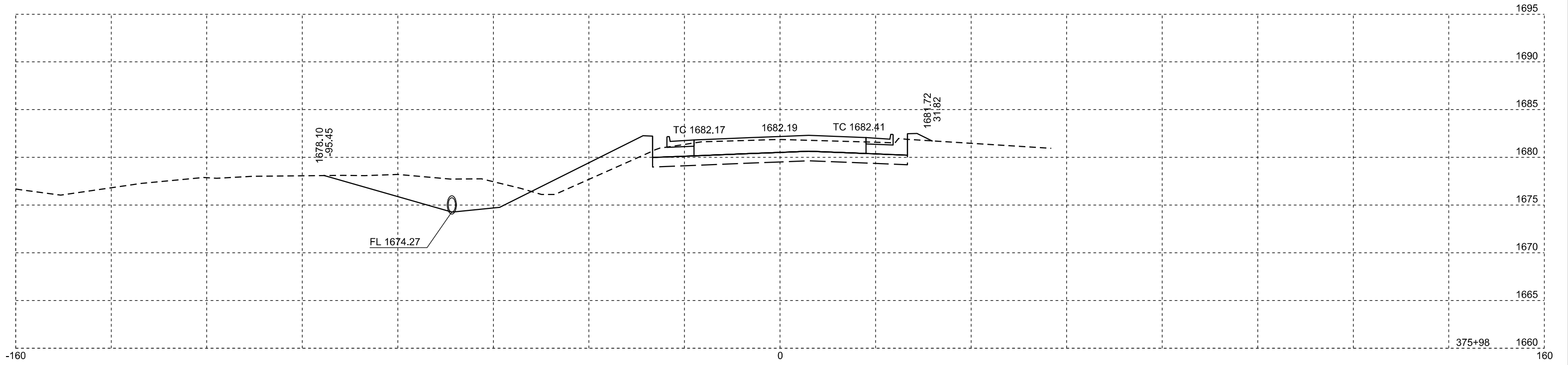
STATE OF SOUTH DAKOTA	PROJECT	SHEET	TOTAL SHEETS
	NH-CR 0034(193)402	X102	X128



STATE OF SOUTH DAKOTA	PROJECT	SHEET	TOTAL SHEETS
	NH-CR 0034(193)402	X103	X128

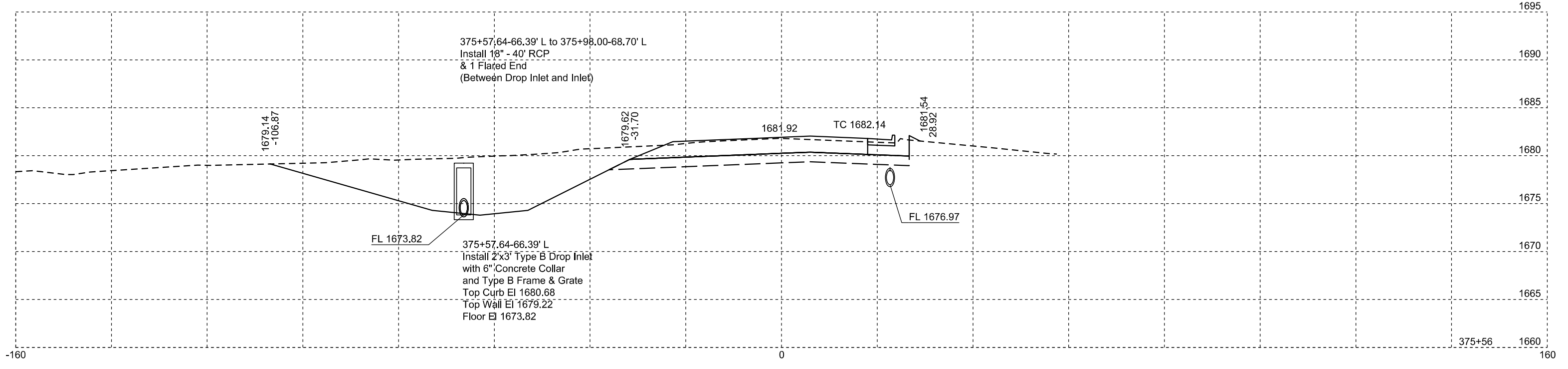
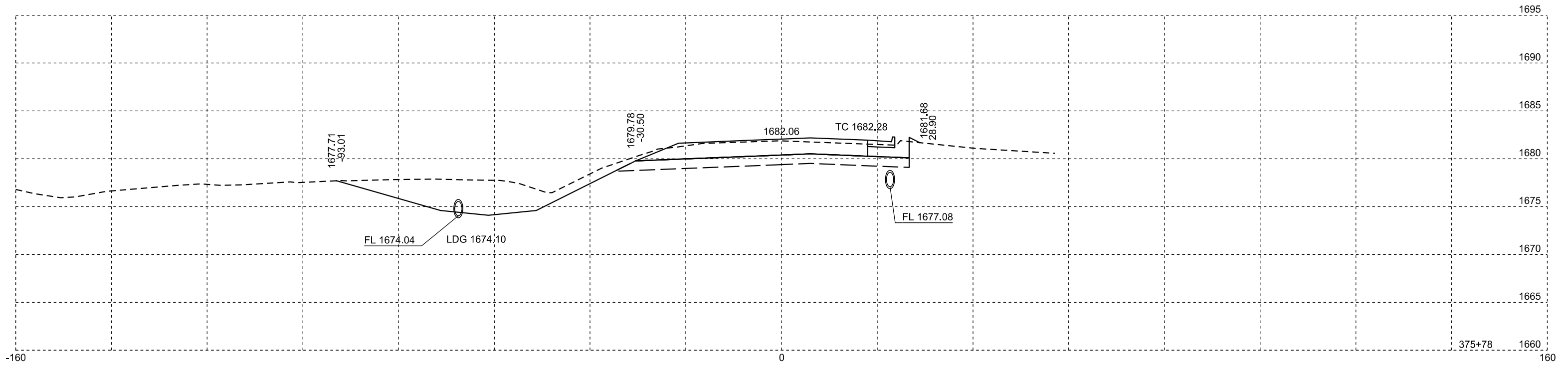


STATE OF SOUTH DAKOTA	PROJECT	SHEET	TOTAL SHEETS
	NH-CR 0034(193)402	X104	X128

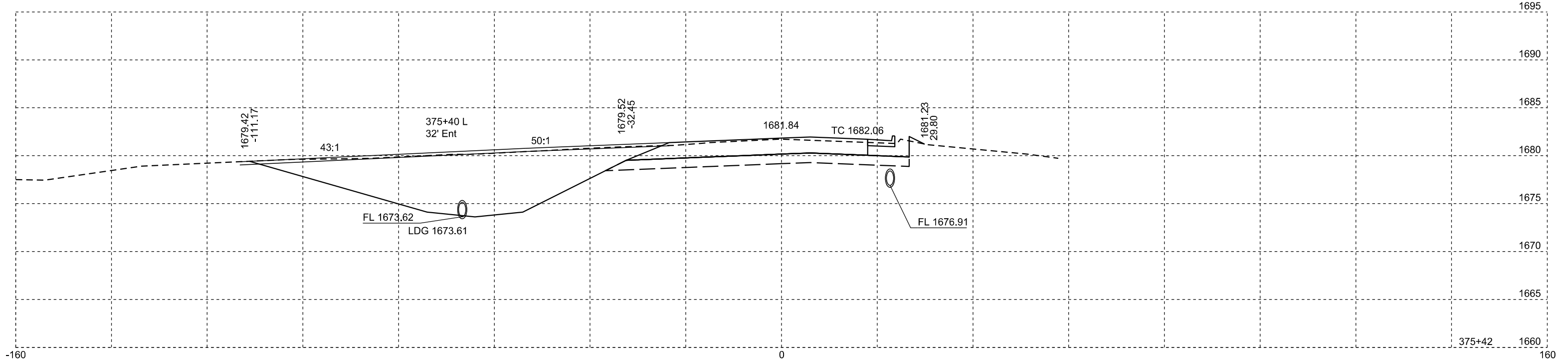
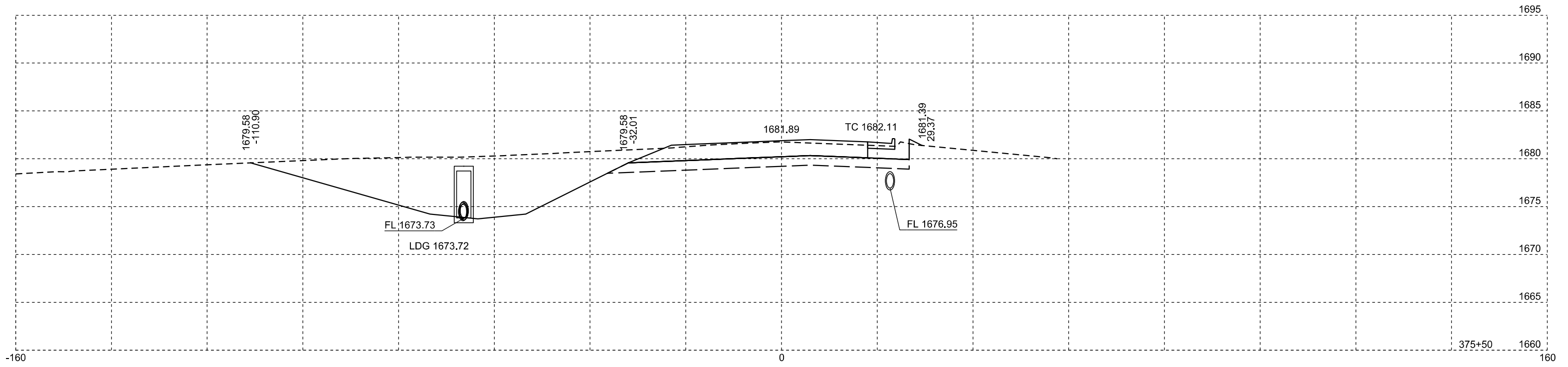




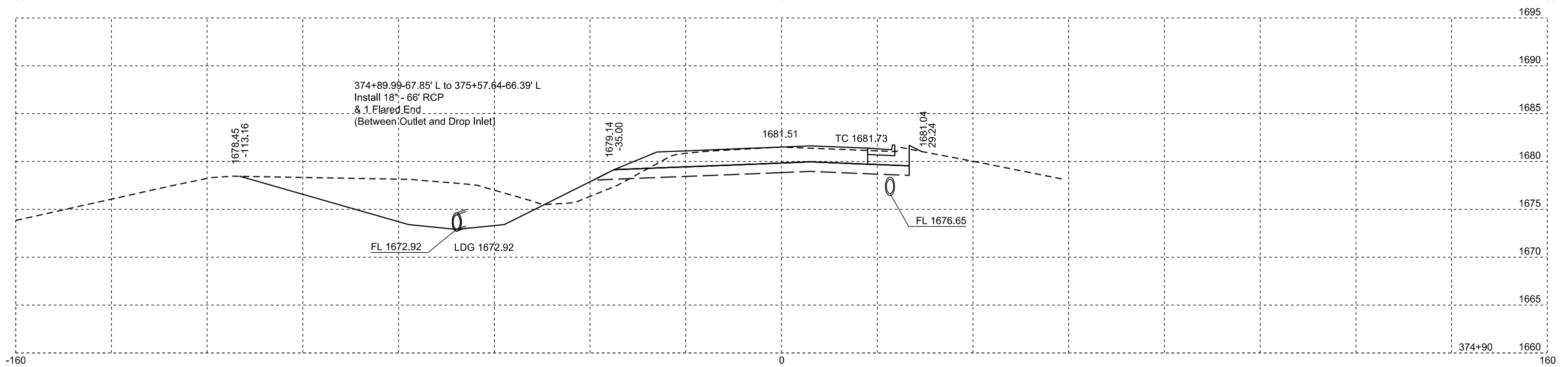
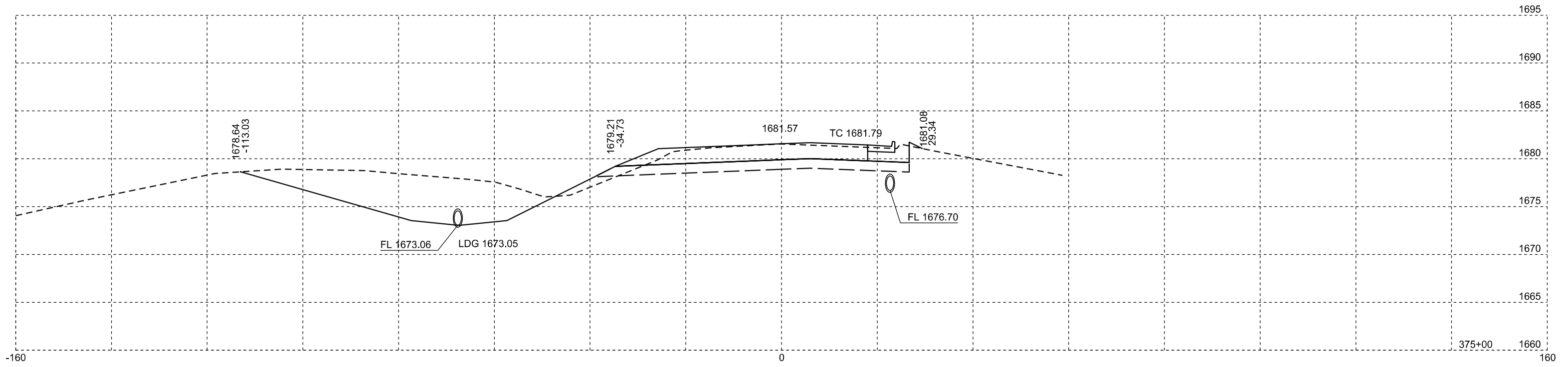
STATE OF SOUTH DAKOTA	PROJECT	SHEET	TOTAL SHEETS
	NH-CR 0034(193)402	X105	X128



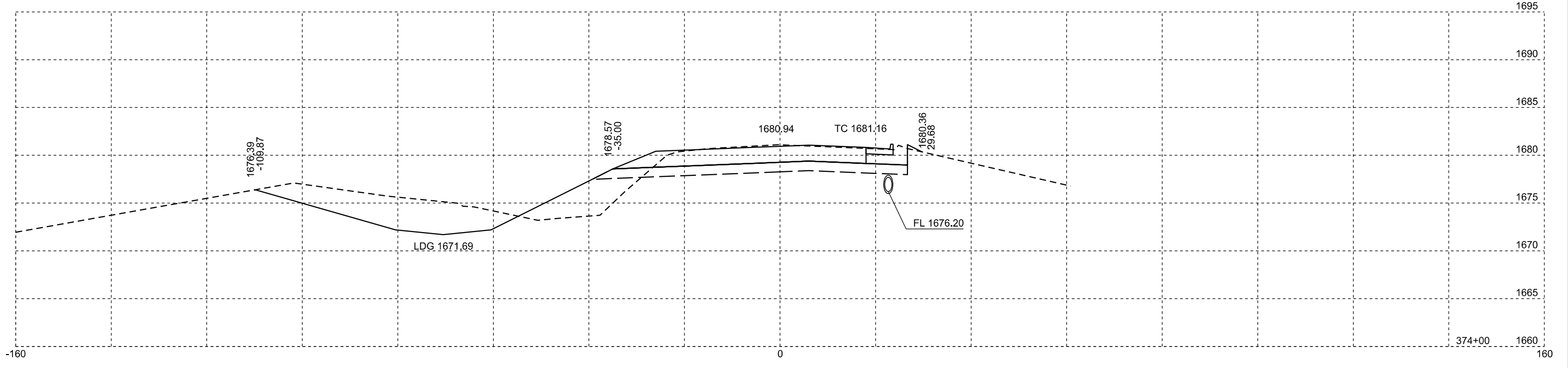
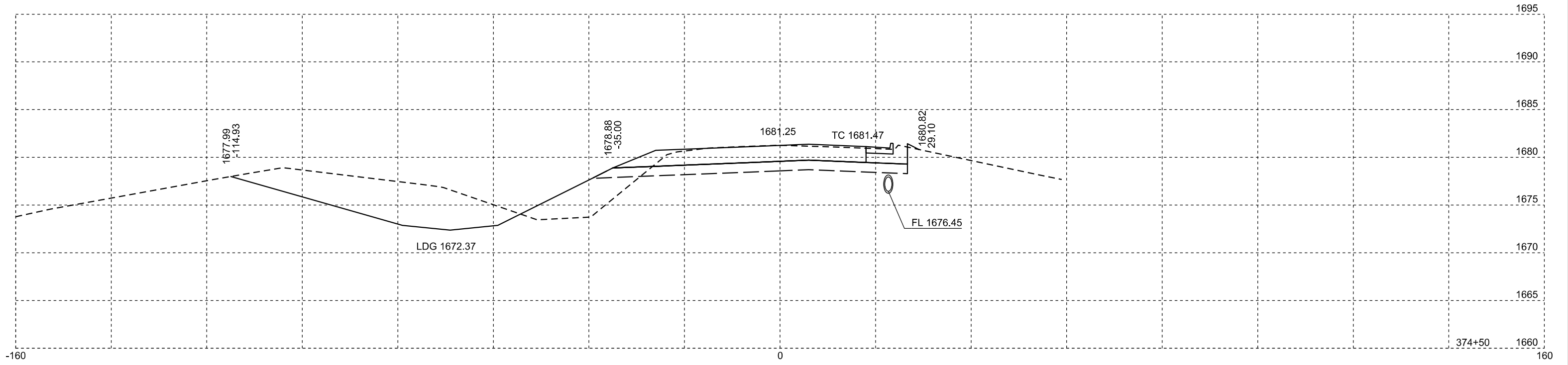
STATE OF SOUTH DAKOTA	PROJECT	SHEET	TOTAL SHEETS
	NH-CR 0034(193)402	X106	X128



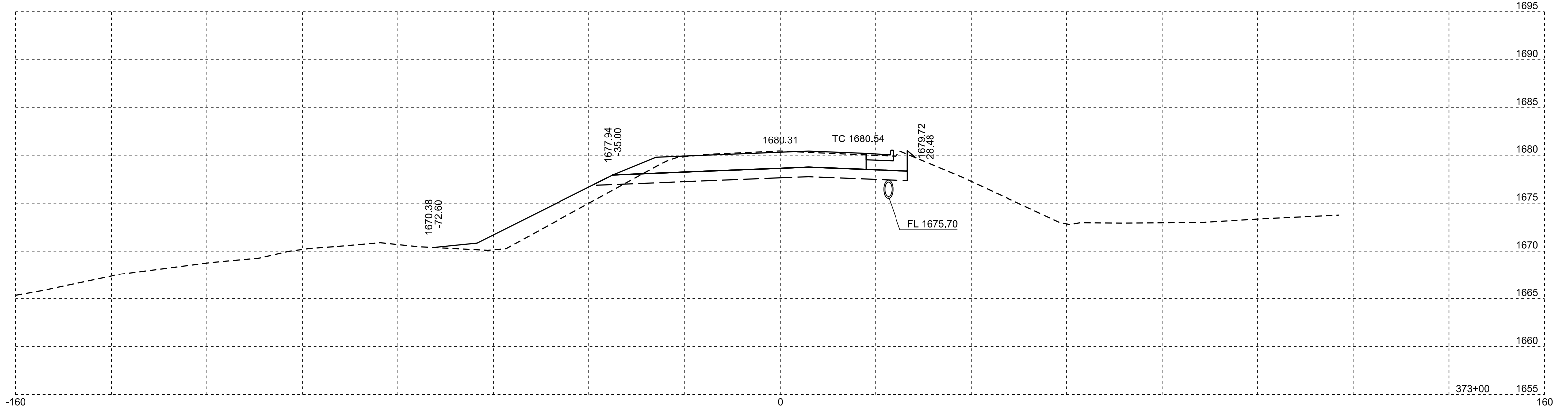
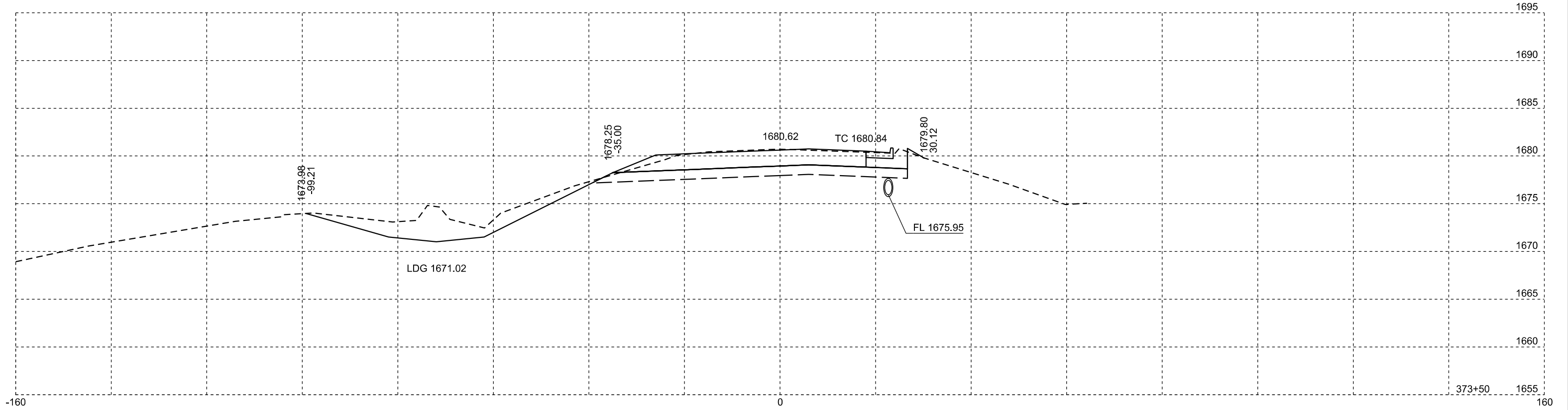
STATE OF SOUTH DAKOTA	PROJECT	SHEET	TOTAL SHEETS
	NH-CR 0034(193)402	X107	X128



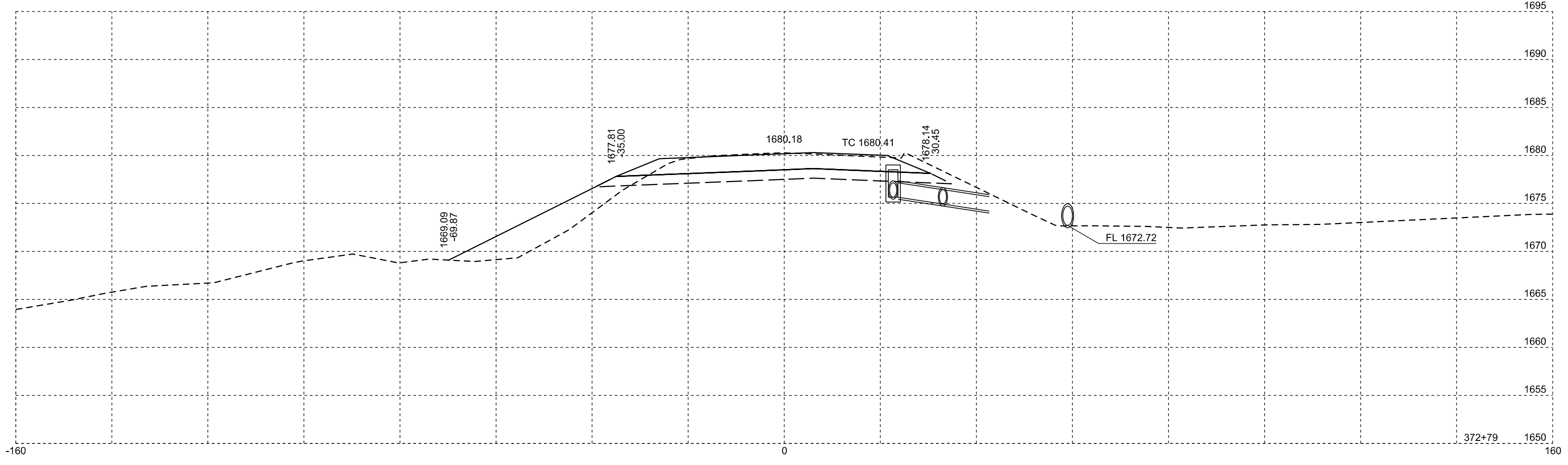
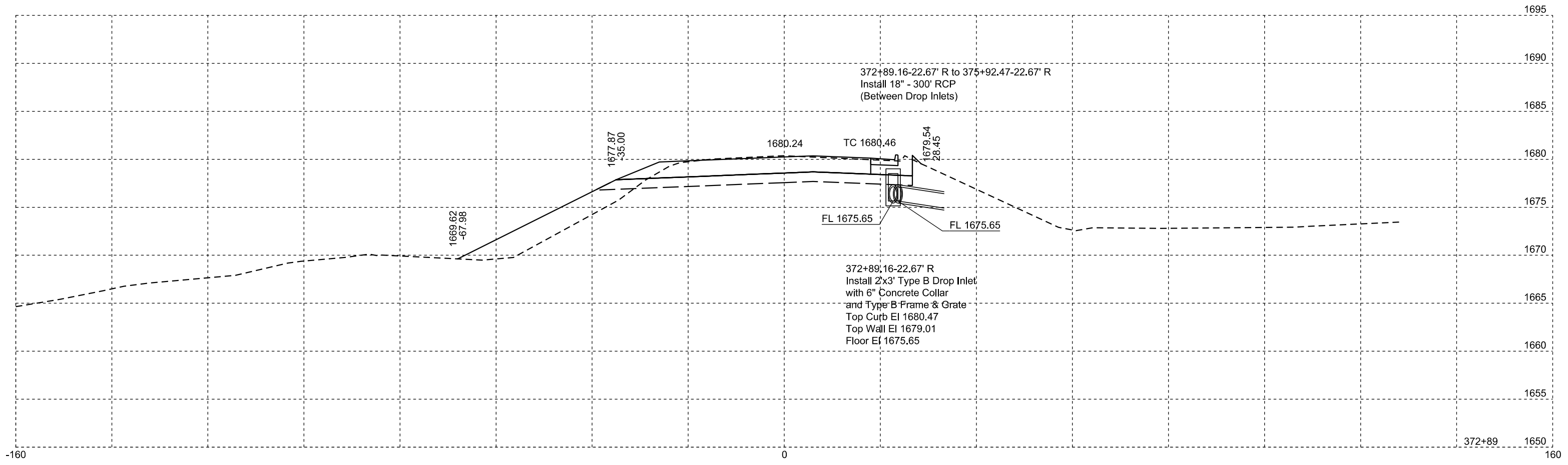
STATE OF SOUTH DAKOTA	PROJECT	SHEET	TOTAL SHEETS
	NH-CR 0034(193)402	X108	X128



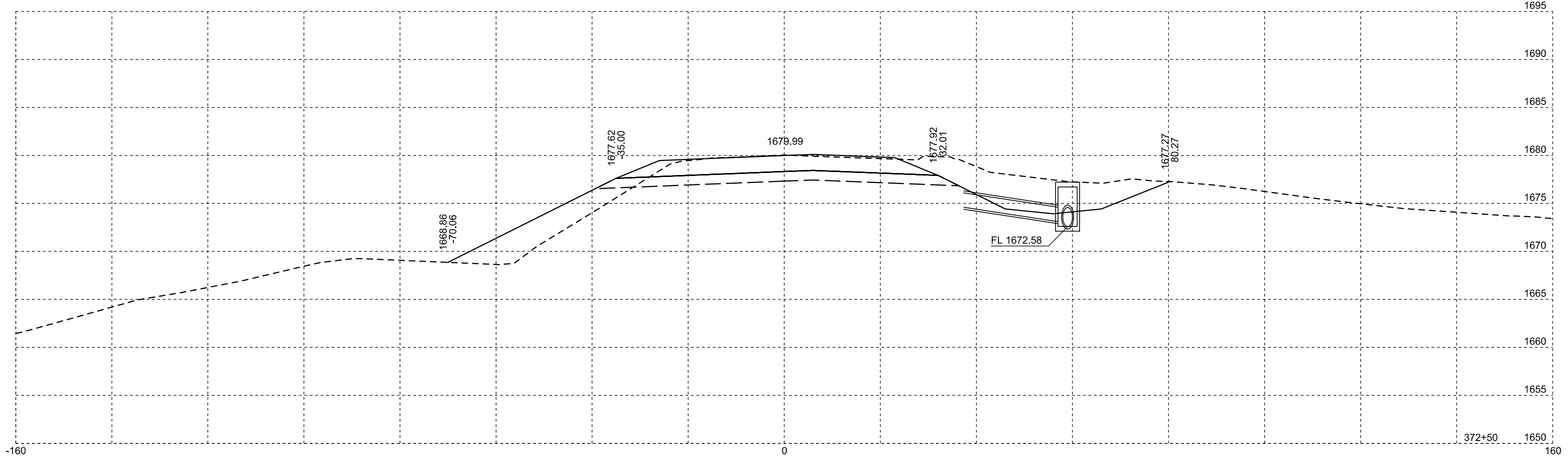
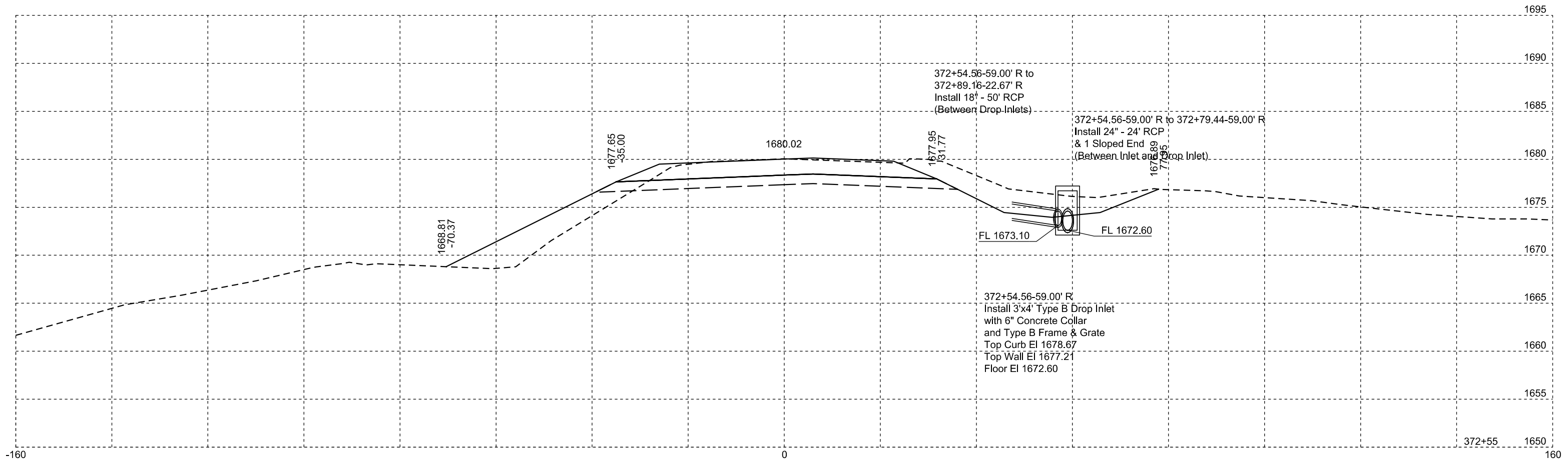
STATE OF SOUTH DAKOTA	PROJECT	SHEET	TOTAL SHEETS
	NH-CR 0034(193)402	X109	X128



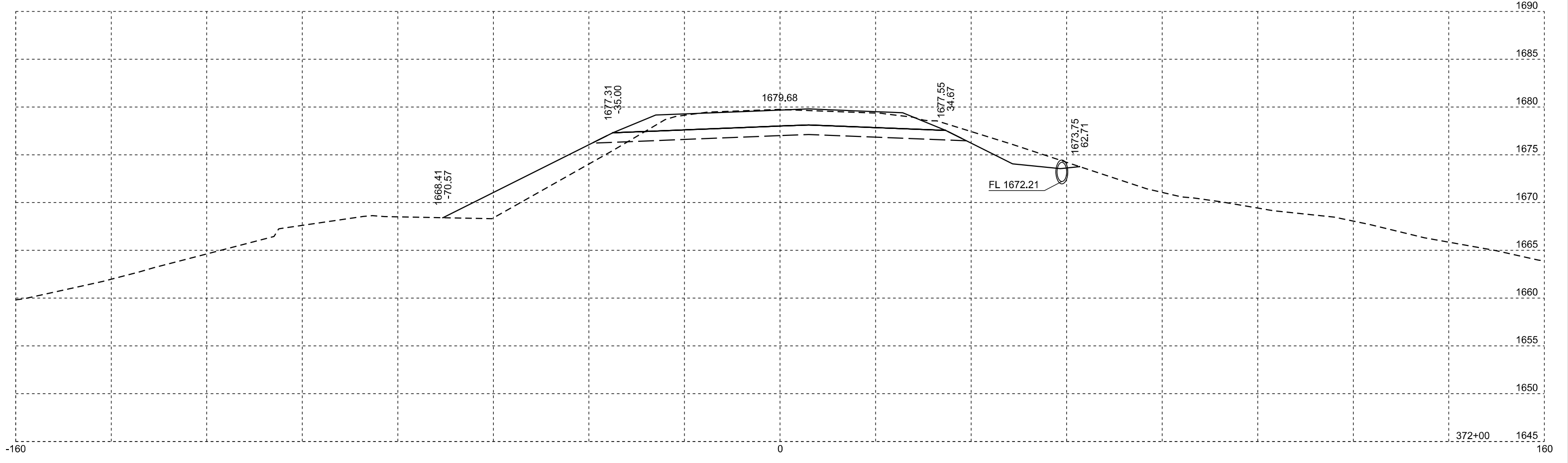
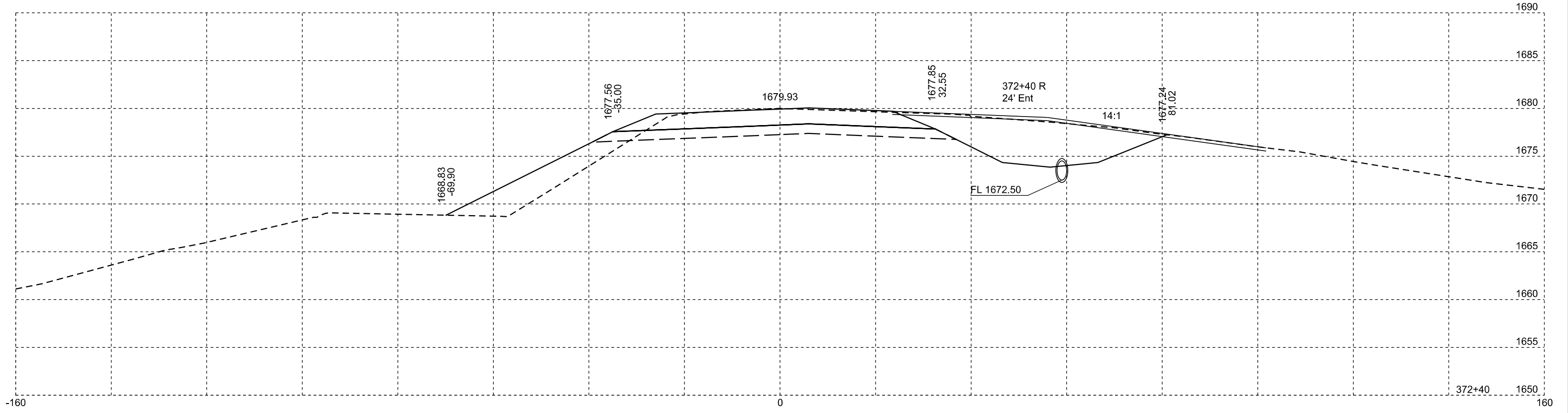
STATE OF SOUTH DAKOTA	PROJECT	SHEET	TOTAL SHEETS
	NH-CR 0034(193)402	X110	X128



STATE OF SOUTH DAKOTA	PROJECT	SHEET	TOTAL SHEETS
	NH-CR 0034(193)402	X111	X128

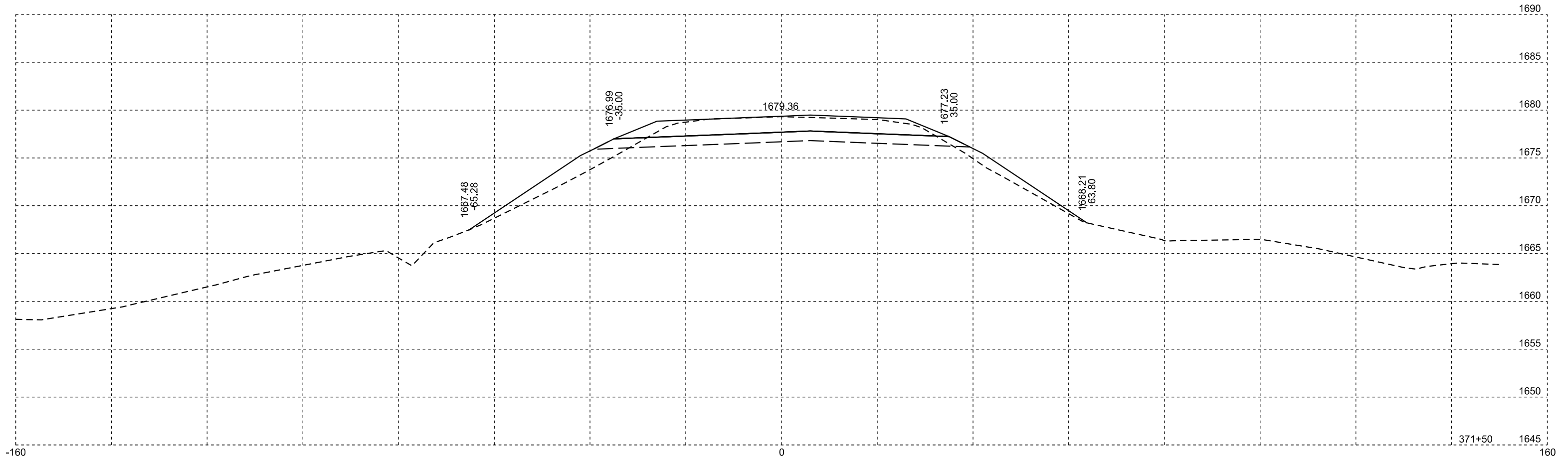
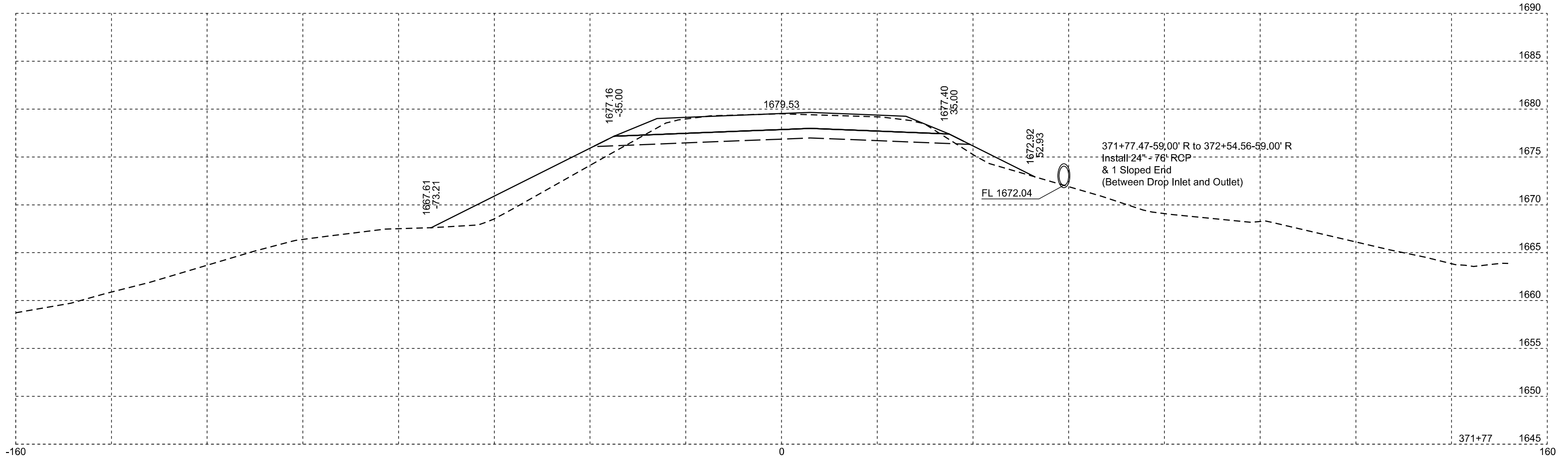


STATE OF SOUTH DAKOTA	PROJECT	SHEET	TOTAL SHEETS
	NH-CR 0034(193)402	X112	X128



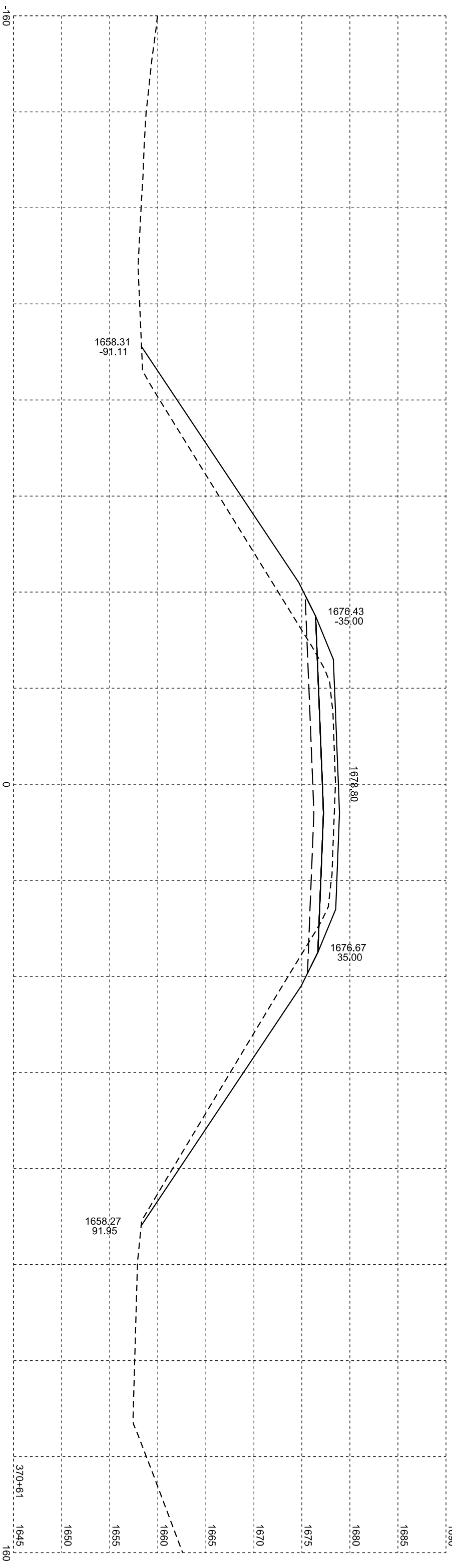
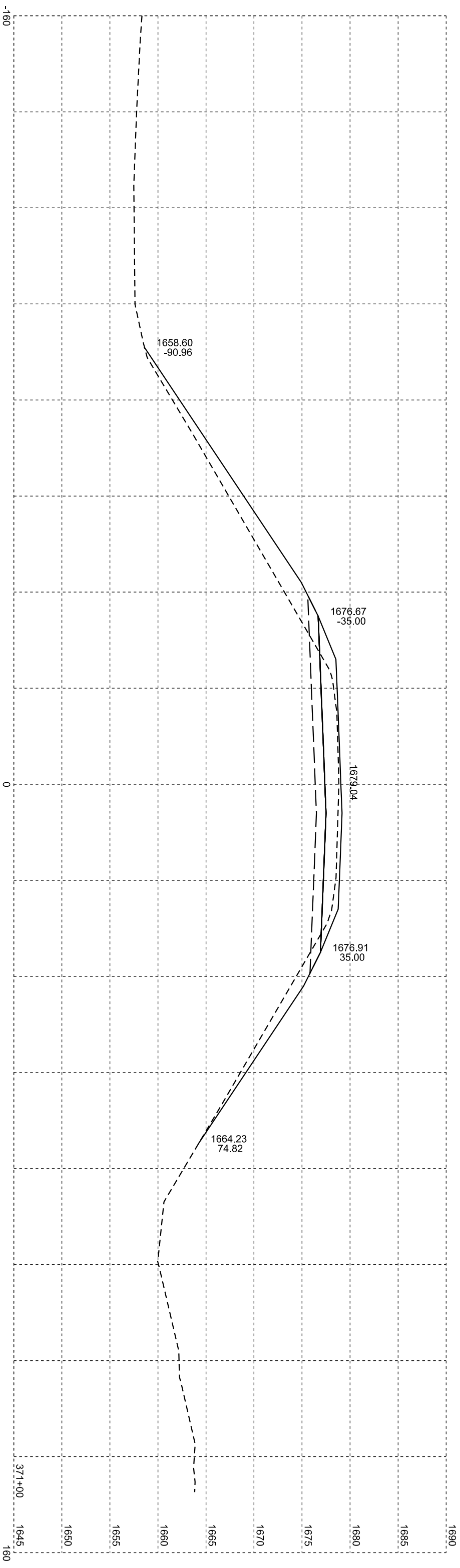


STATE OF SOUTH DAKOTA	PROJECT	SHEET	TOTAL SHEETS
	NH-CR 0034(193)402	X113	X128



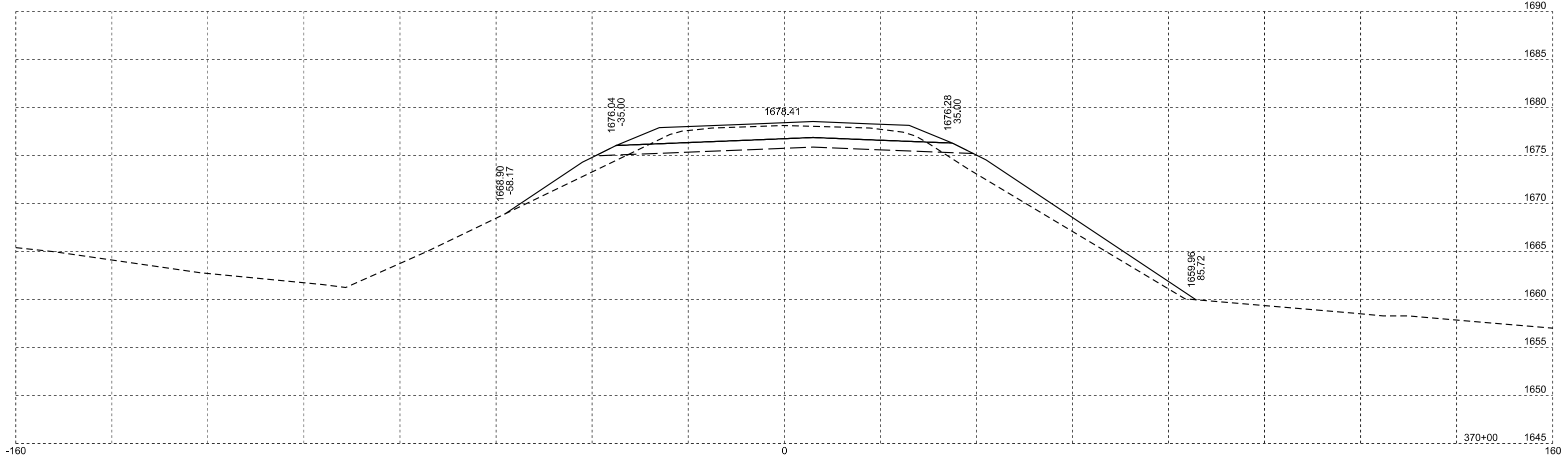
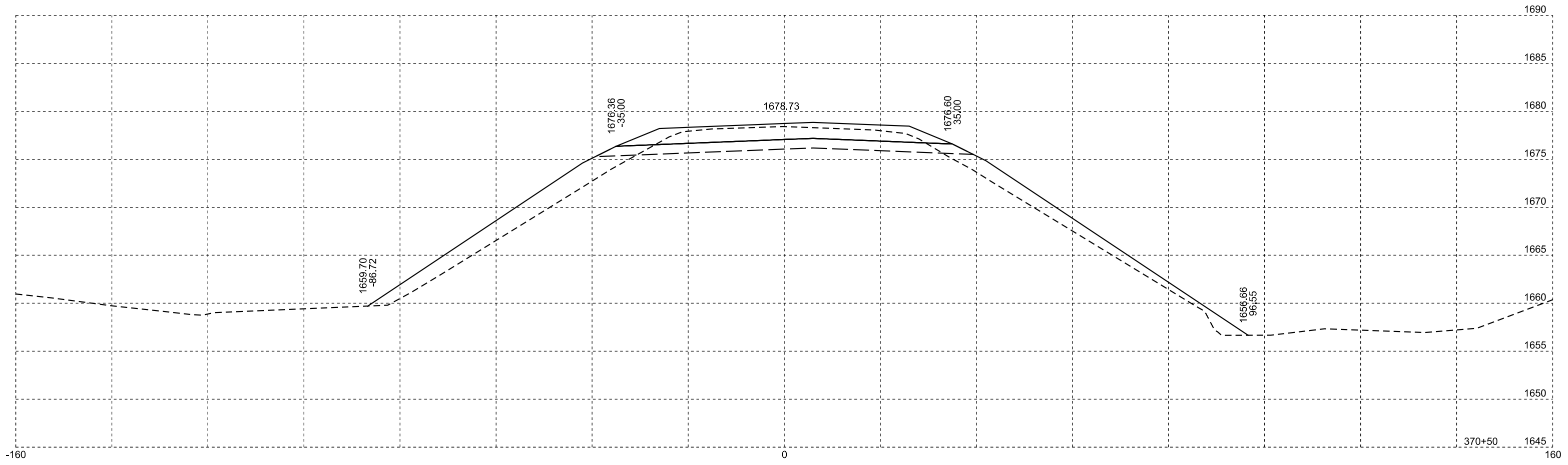
Plotting Date: 08/13/2024

STATE OF SOUTH DAKOTA	PROJECT	SHEET	TOTAL SHEETS
	NH-CR 0034(193)A02	X114	X128

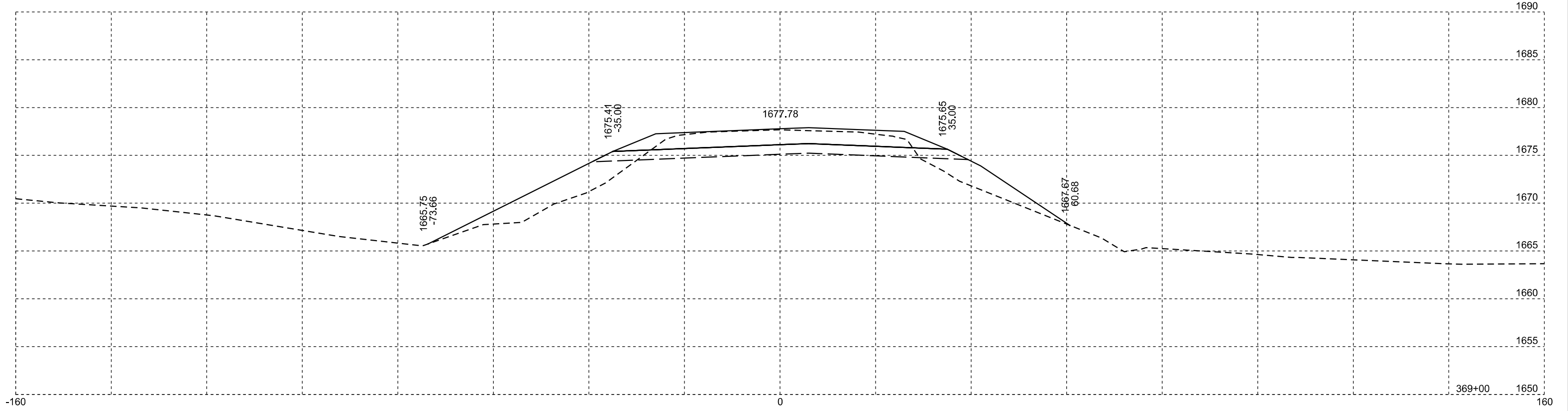
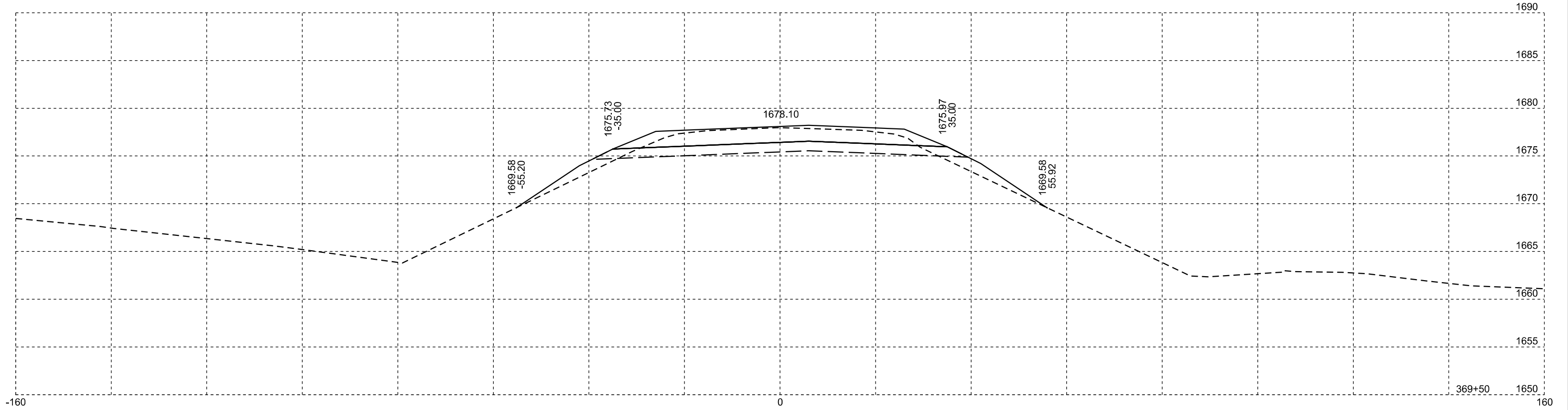


Plotting Date: 08/13/2024

STATE OF SOUTH DAKOTA	PROJECT	SHEET	TOTAL SHEETS
	NH-CR 0034(193)402	X115	X128

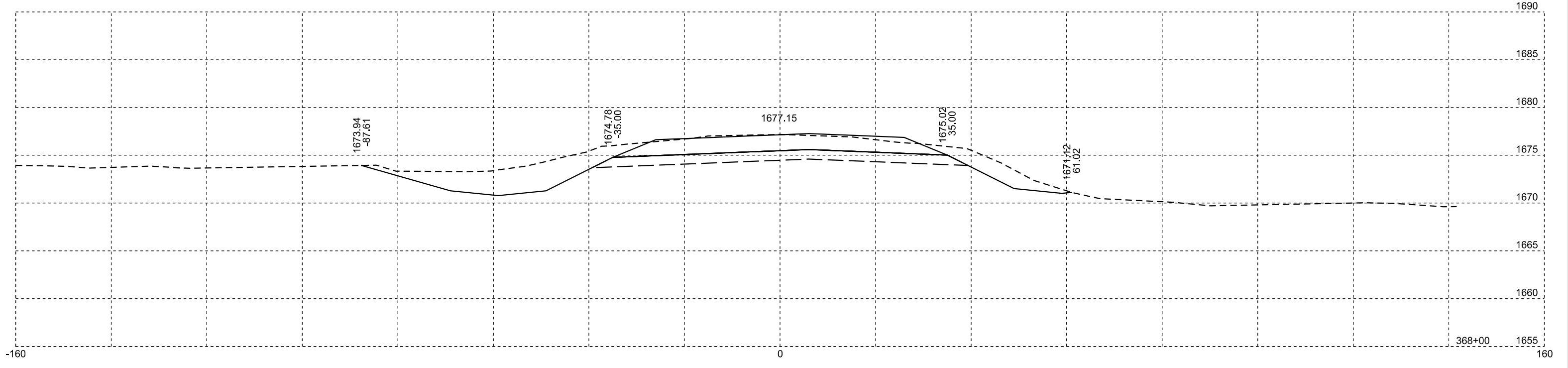
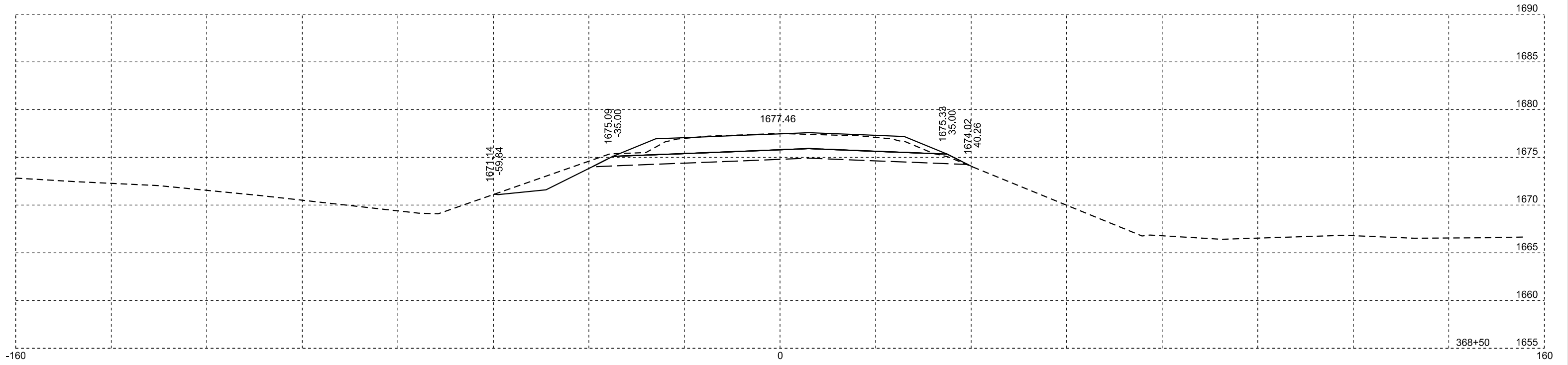


STATE OF SOUTH DAKOTA	PROJECT	SHEET	TOTAL SHEETS
	NH-CR 0034(193)402	X116	X128

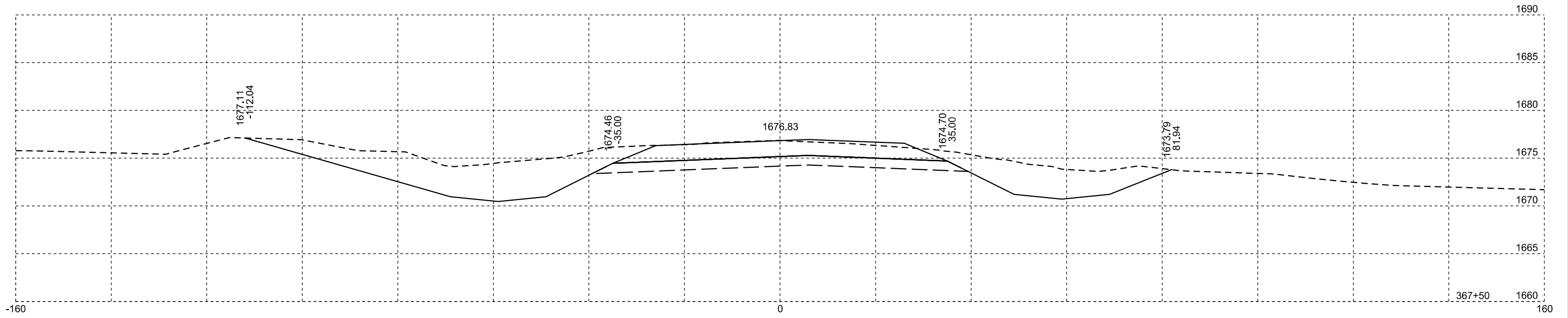
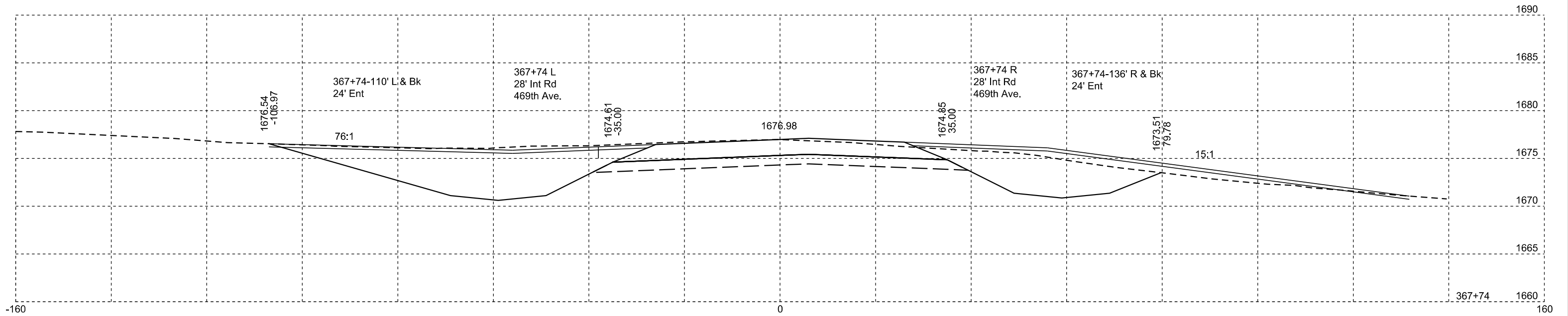


Plotting Date: 08/13/2024

STATE OF SOUTH DAKOTA	PROJECT	SHEET	TOTAL SHEETS
	NH-CR 0034(193)402	X117	X128

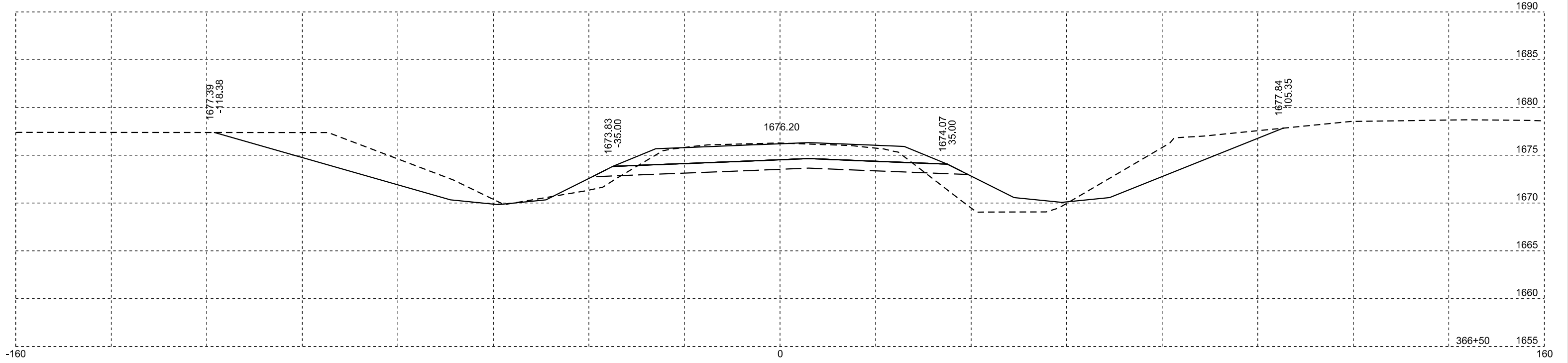
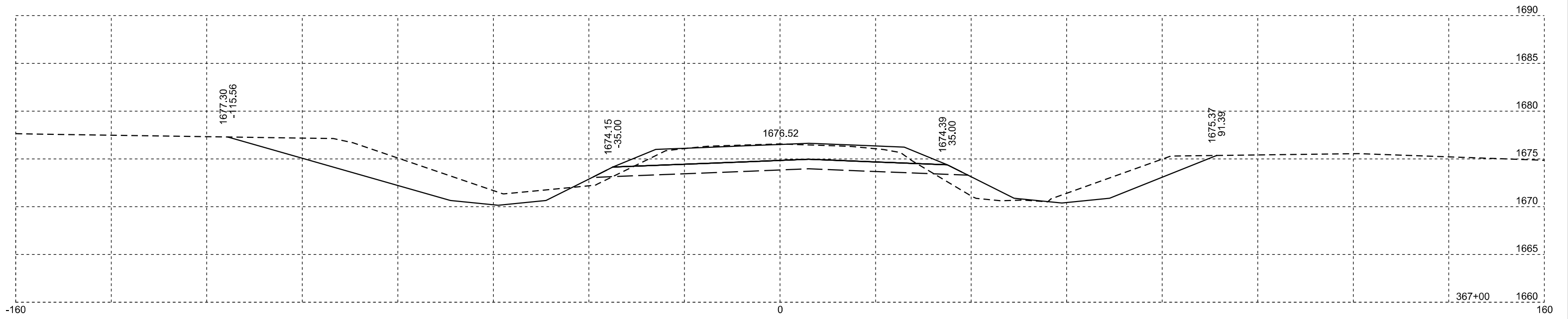


STATE OF SOUTH DAKOTA	PROJECT	SHEET	TOTAL SHEETS
	NH-CR 0034(193)402	X118	X128



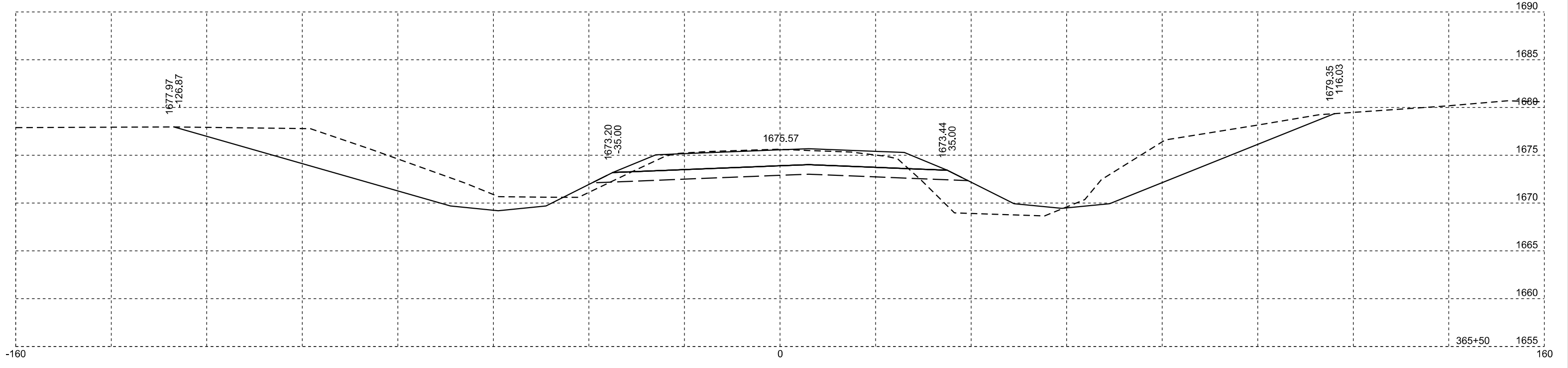
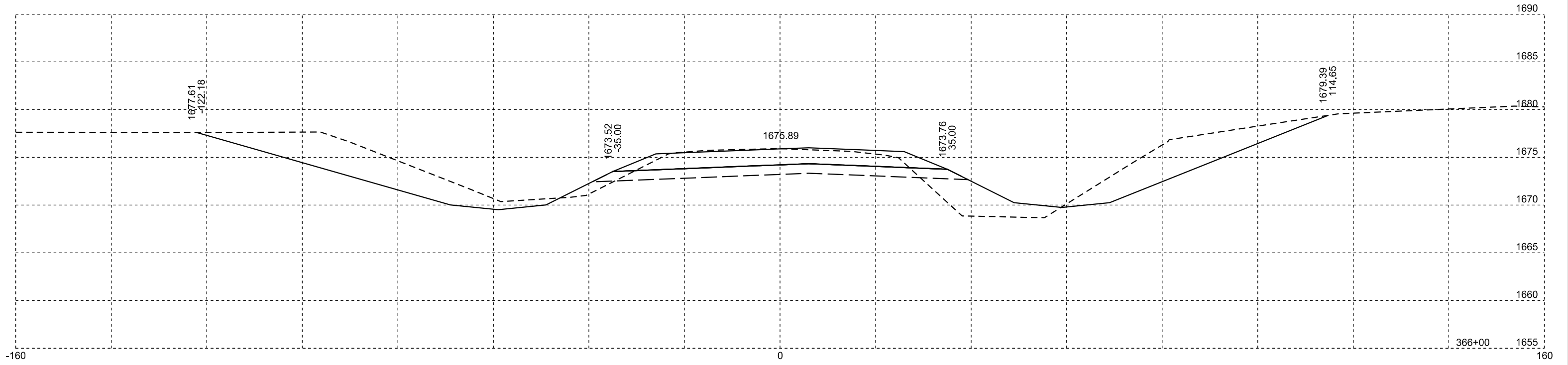
Plotting Date: 08/13/2024

STATE OF SOUTH DAKOTA	PROJECT	SHEET	TOTAL SHEETS
	NH-CR 0034(193)402	X119	X128



Plotting Date: 08/13/2024

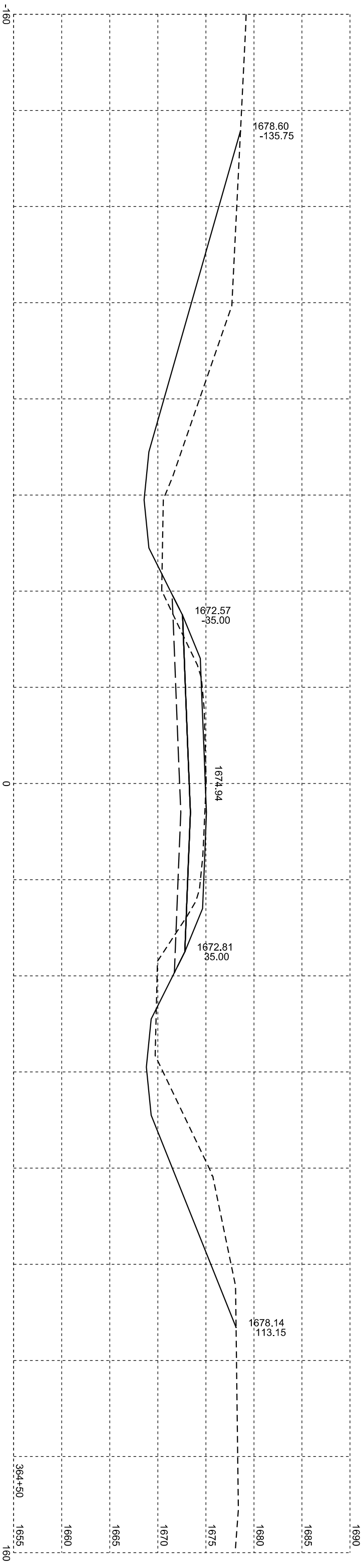
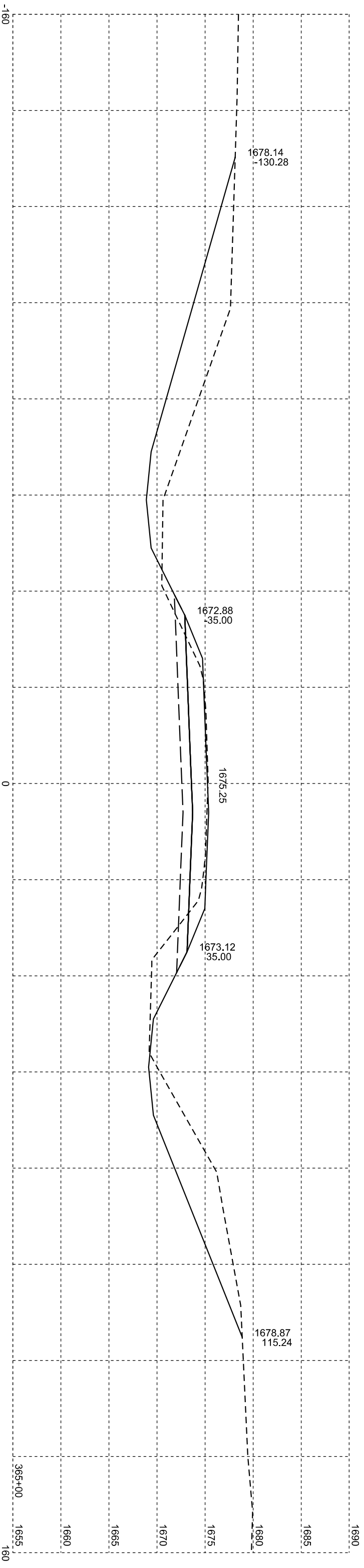
STATE OF SOUTH DAKOTA	PROJECT	SHEET	TOTAL SHEETS
	NH-CR 0034(193)402	X120	X128



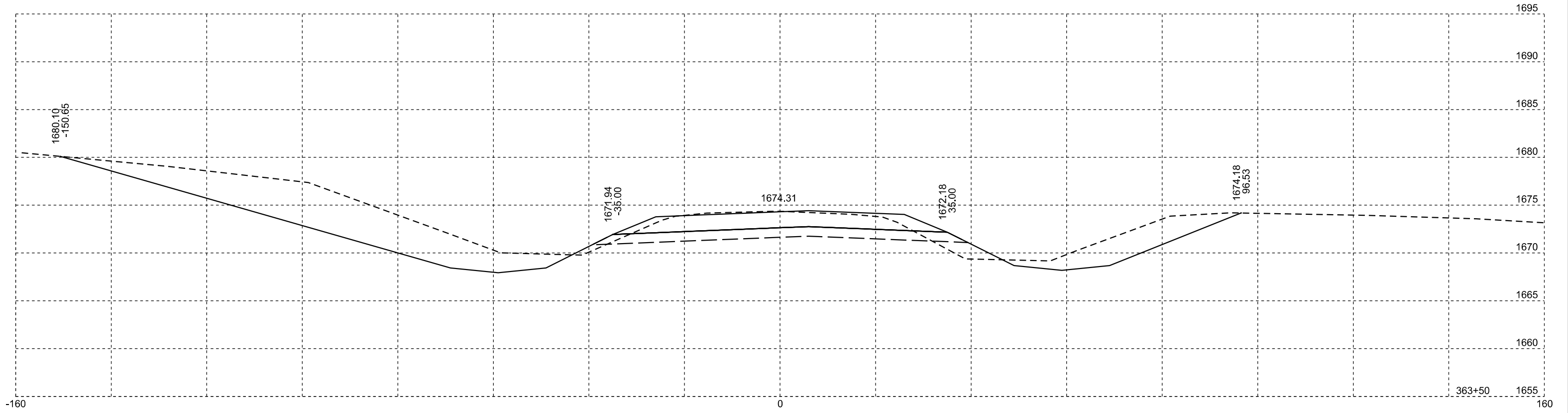
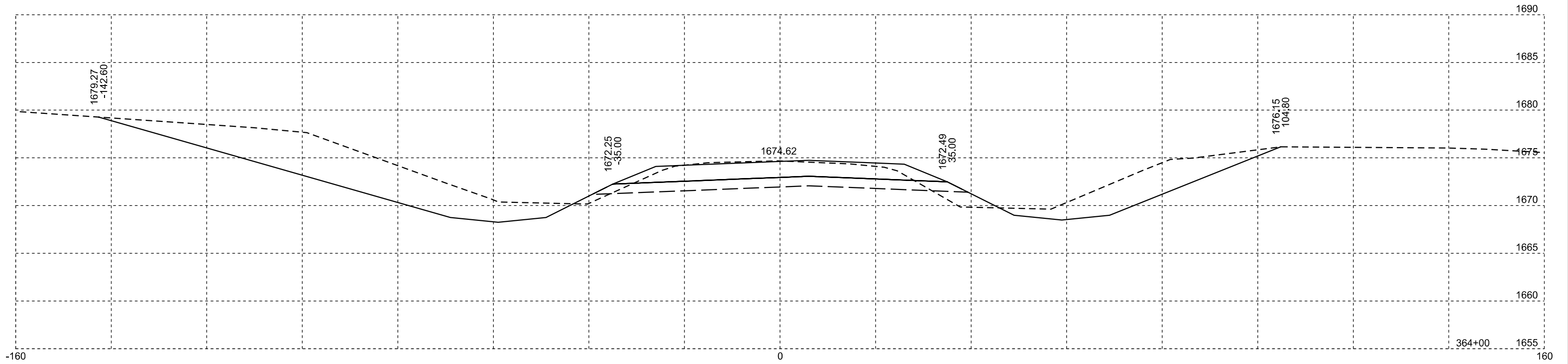


Plotting Date: 08/13/2024

STATE OF SOUTH DAKOTA	PROJECT	SHEET	TOTAL SHEETS
	NH-CR 0034(193)A02	X121	X128

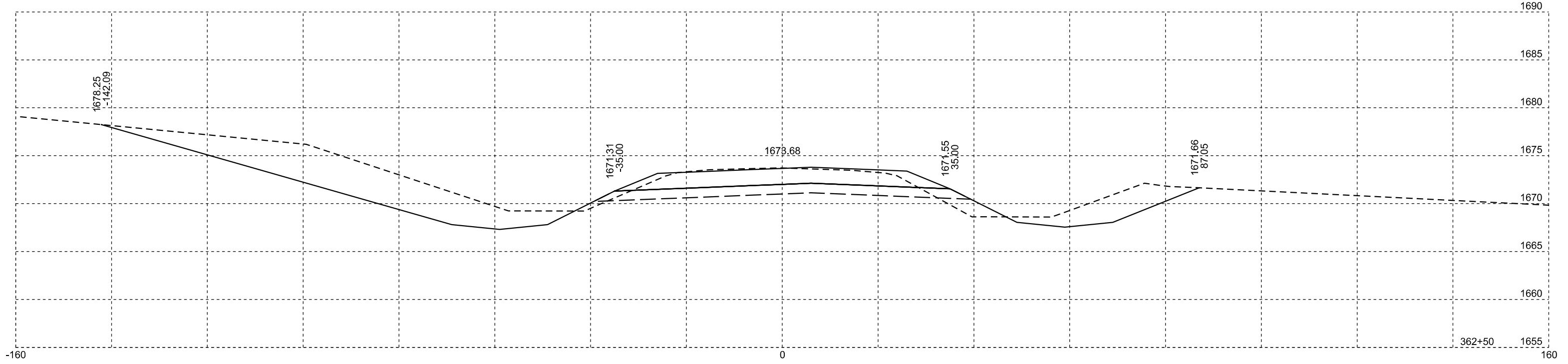
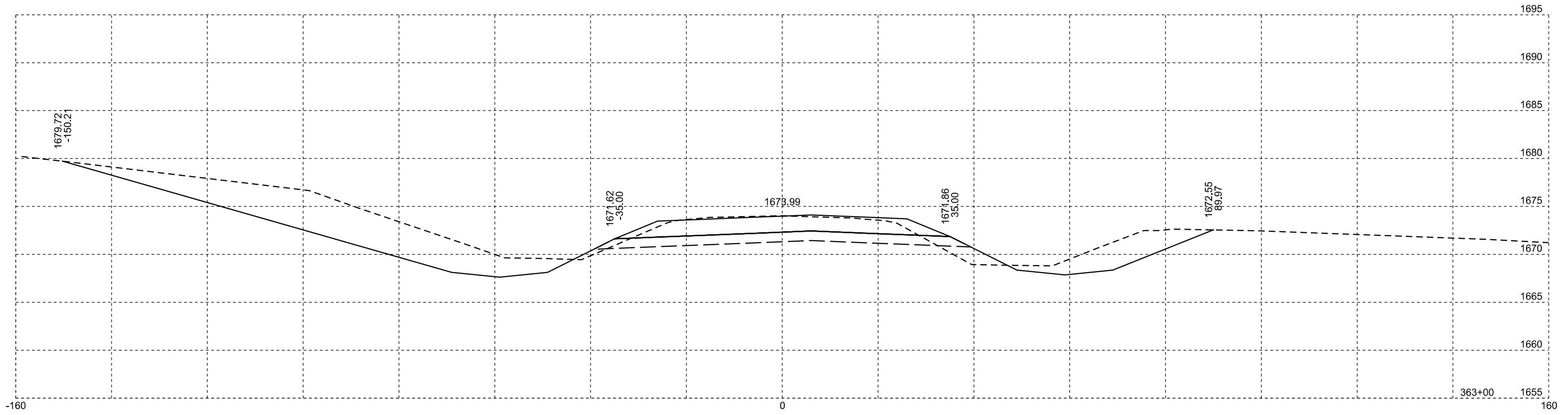


STATE OF SOUTH DAKOTA	PROJECT	SHEET	TOTAL SHEETS
	NH-CR 0034(193)402	X122	X128



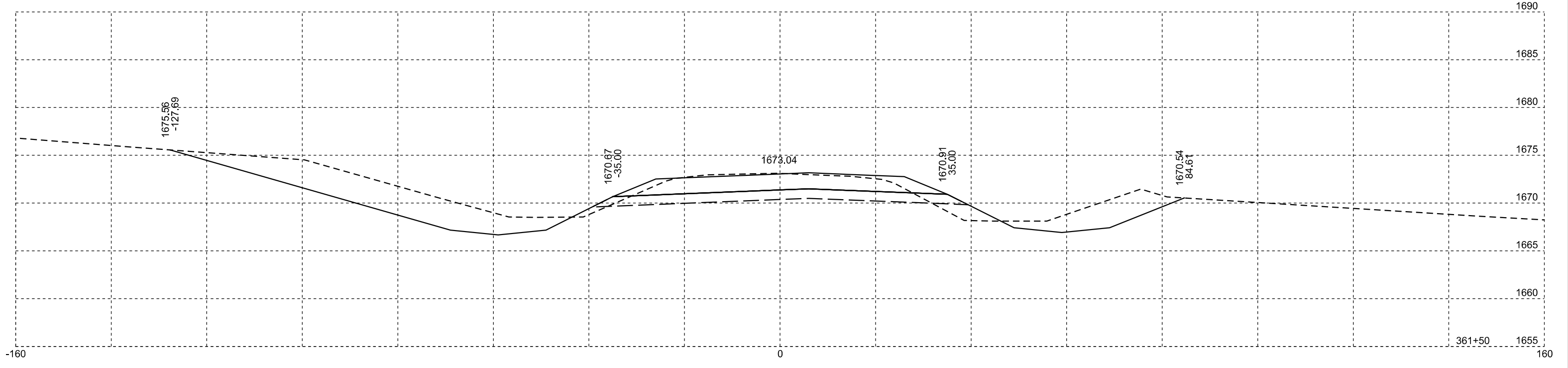
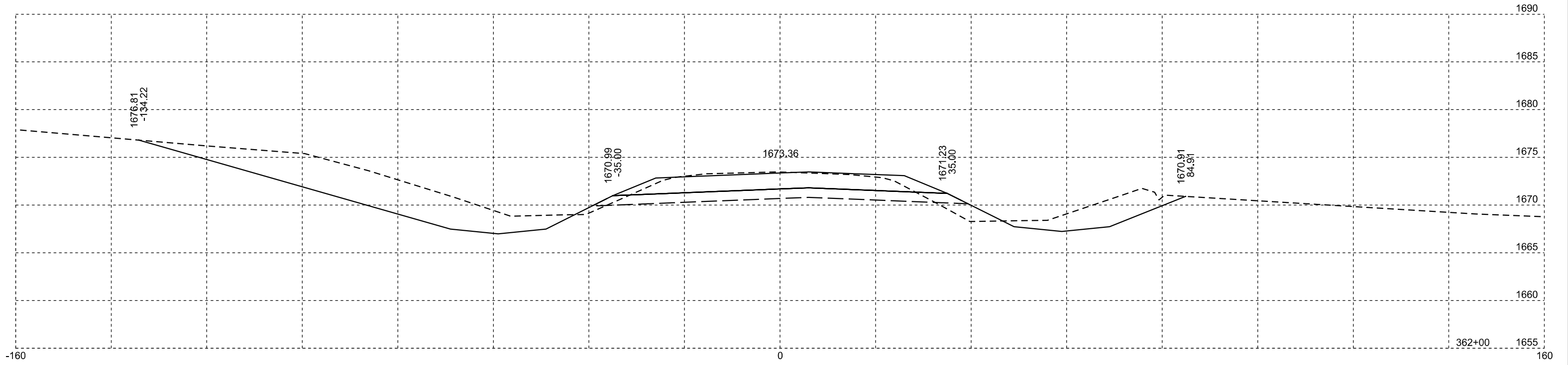
Plotting Date: 08/13/2024

STATE OF SOUTH DAKOTA	PROJECT	SHEET	TOTAL SHEETS
	NH-CR 0034(193)402	X123	X128



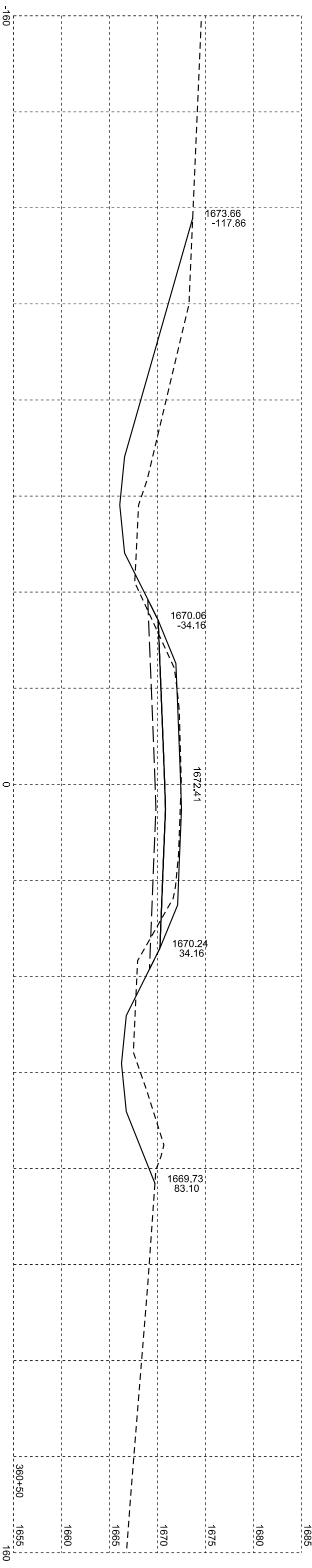
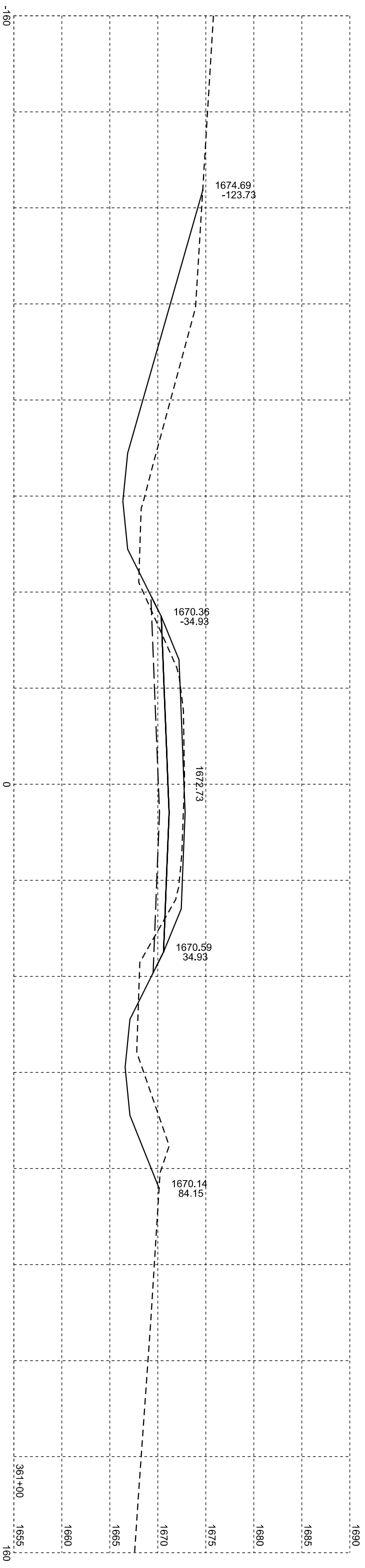
Plotting Date: 08/13/2024

STATE OF SOUTH DAKOTA	PROJECT	SHEET	TOTAL SHEETS
	NH-CR 0034(193)402	X124	X128



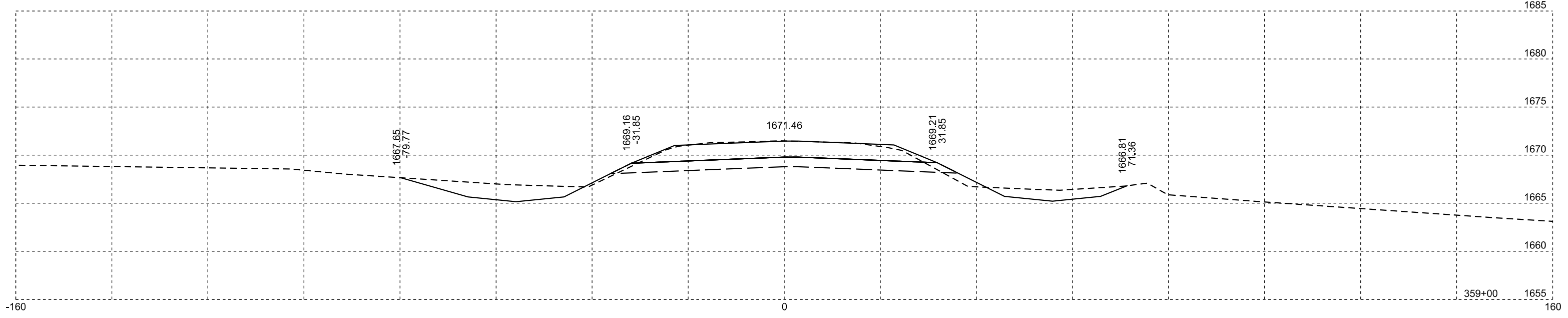
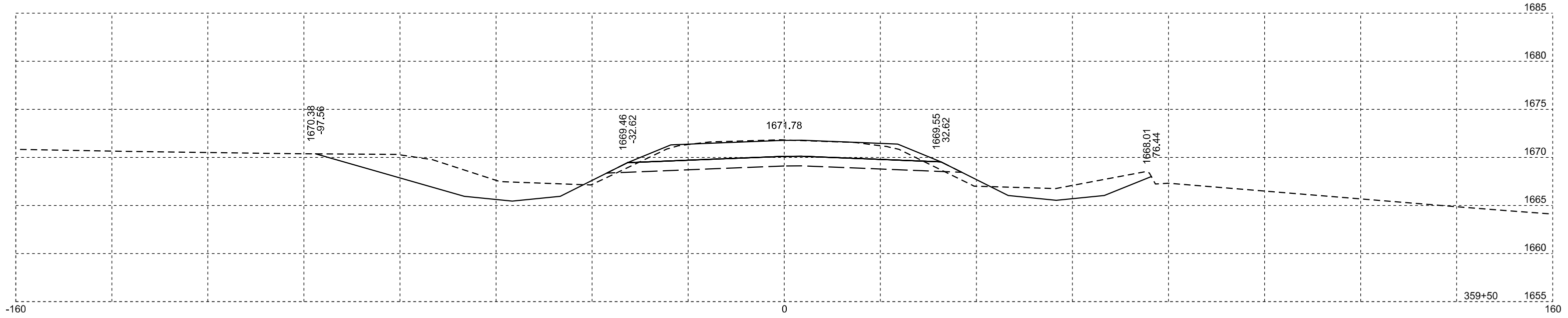
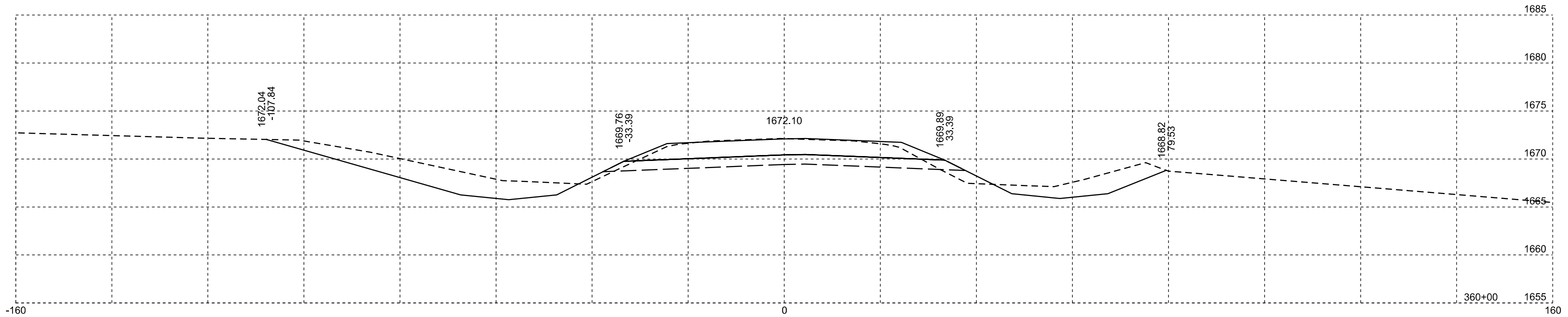
Plotting Date: 08/13/2024

STATE OF SOUTH DAKOTA	PROJECT	SHEET	TOTAL SHEETS
	NH-CR 0034(193)A02	X125	X128



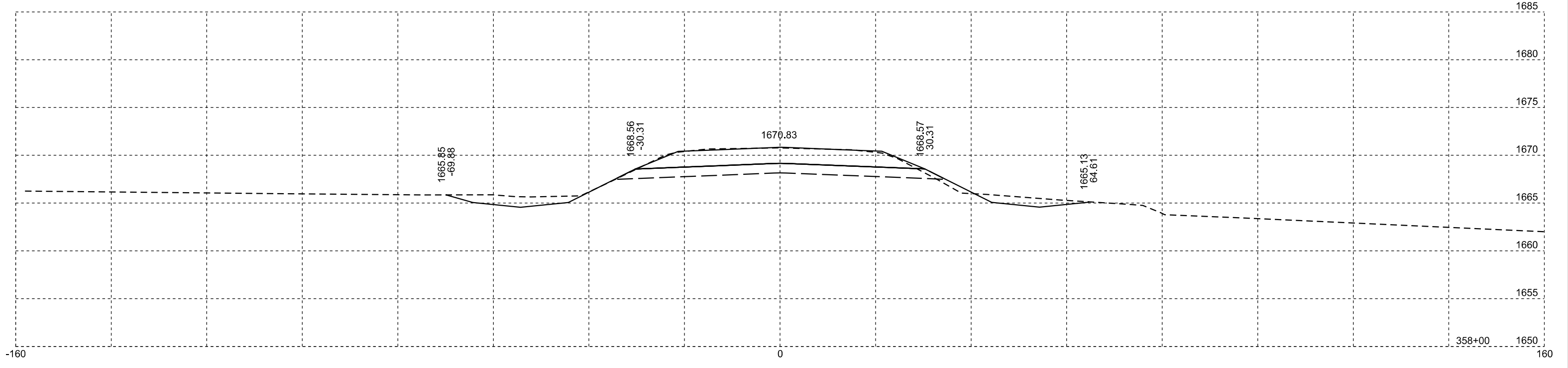
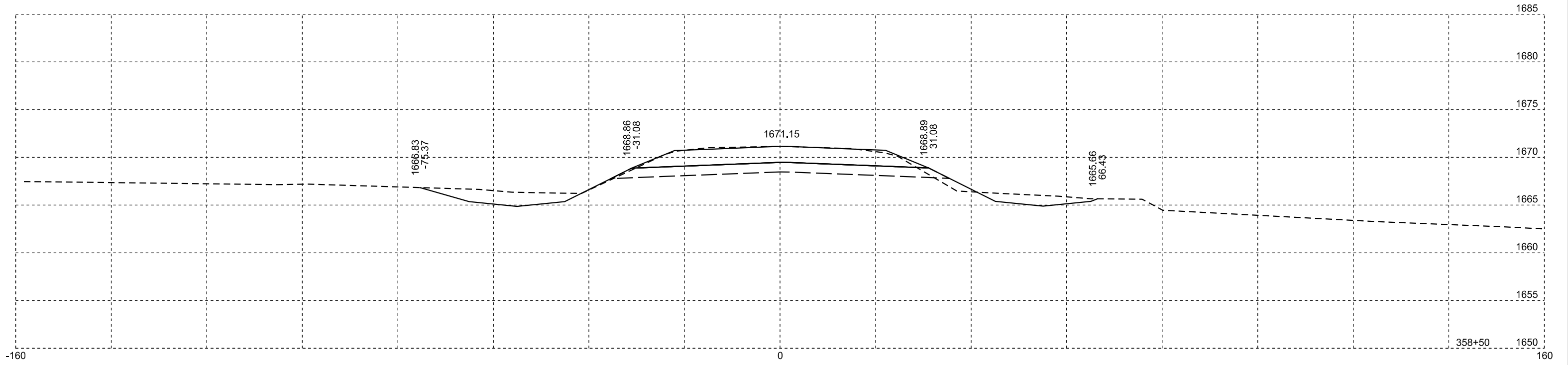
Plotting Date: 08/13/2024

STATE OF SOUTH DAKOTA	PROJECT	SHEET	TOTAL SHEETS
	NH-CR 0034(193)402	X126	X128



Plotting Date: 08/13/2024

STATE OF SOUTH DAKOTA	PROJECT	SHEET	TOTAL SHEETS
	NH-CR 0034(193)402	X127	X128



Plotting Date: 08/13/2024

STATE OF SOUTH DAKOTA	PROJECT	SHEET	TOTAL SHEETS
	NH-CR 0034(193)402	X128	X128

