

# SECTION Z: Pipe Sections

STATE OF SOUTH DAKOTA	PROJECT	SHEET	TOTAL SHEETS
	P 1806(23)186	Z1	Z5

Plotting Date: 3/8/2024

## INDEX OF SHEETS

Z1  
Z2-Z5

General Layout with Index  
Mainline Pipe Sections



END P1806(23)186  
Station h 213+52

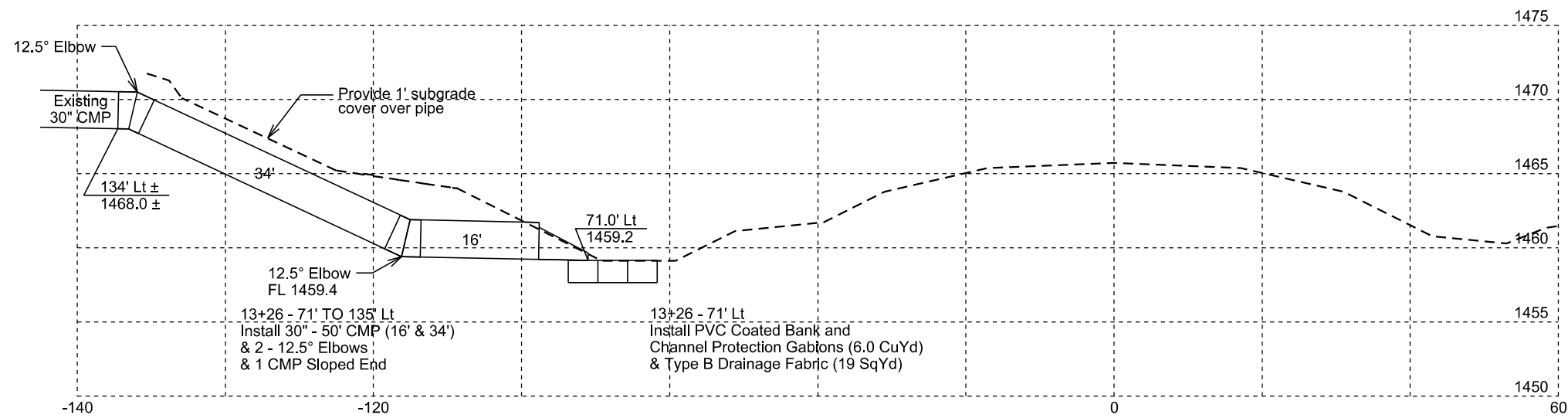
BEGIN P1806(23)186  
Station 1+68.9 = 1+83 on 7512 A



Plot Scale - 1:200

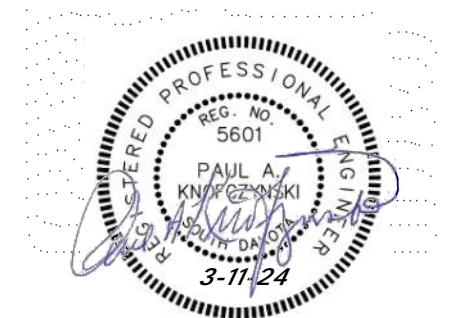
Plotted From - janbrassfield

File - ...Sections\Section Z\titleZ.dgn

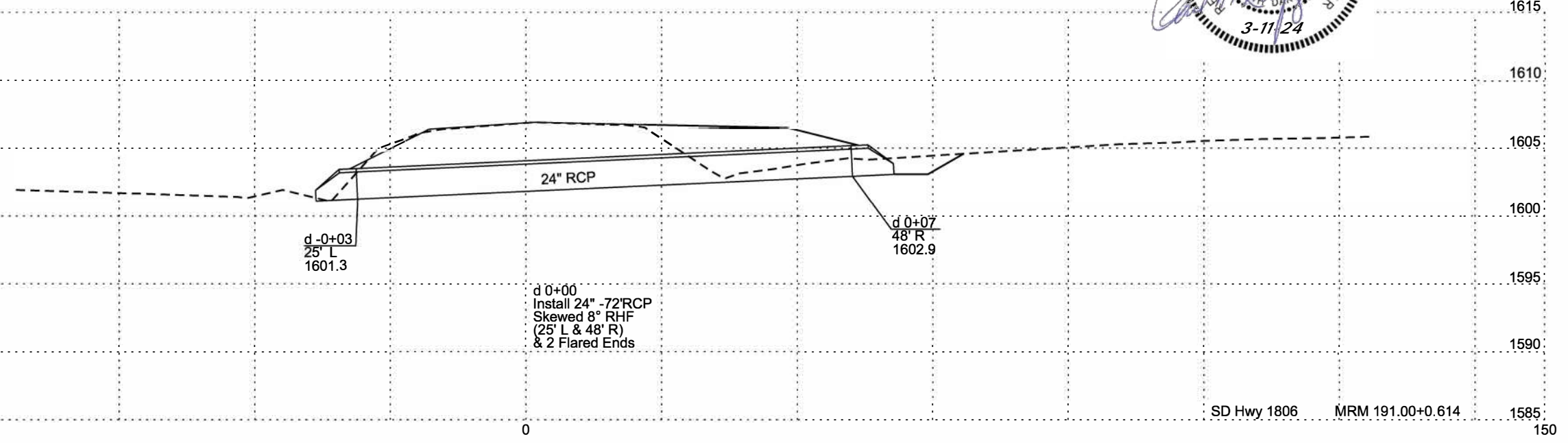
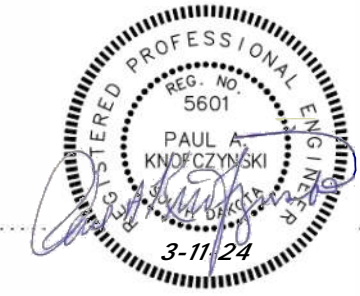
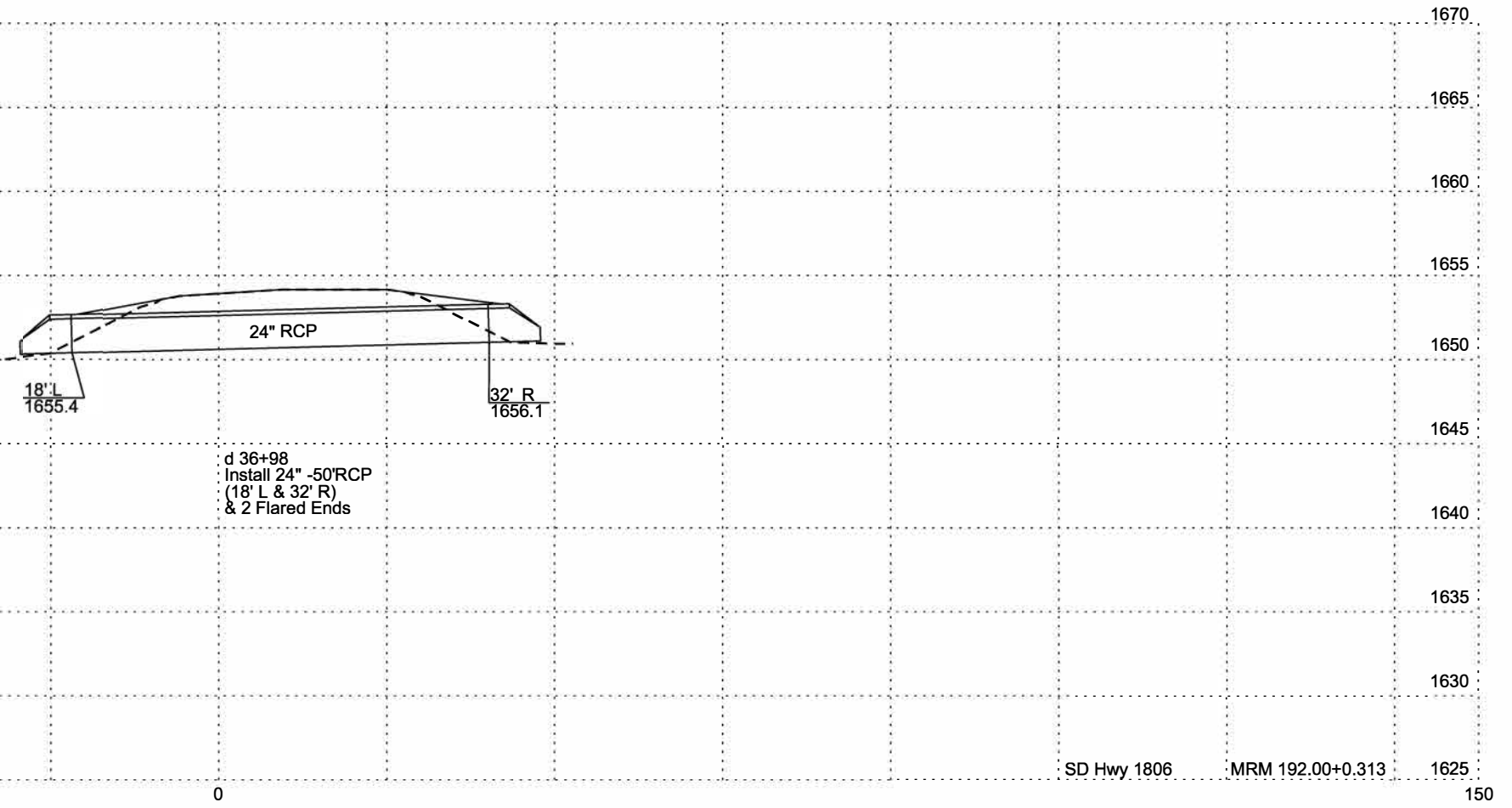


SD Hwy 1806

MRM 186.470+0.249



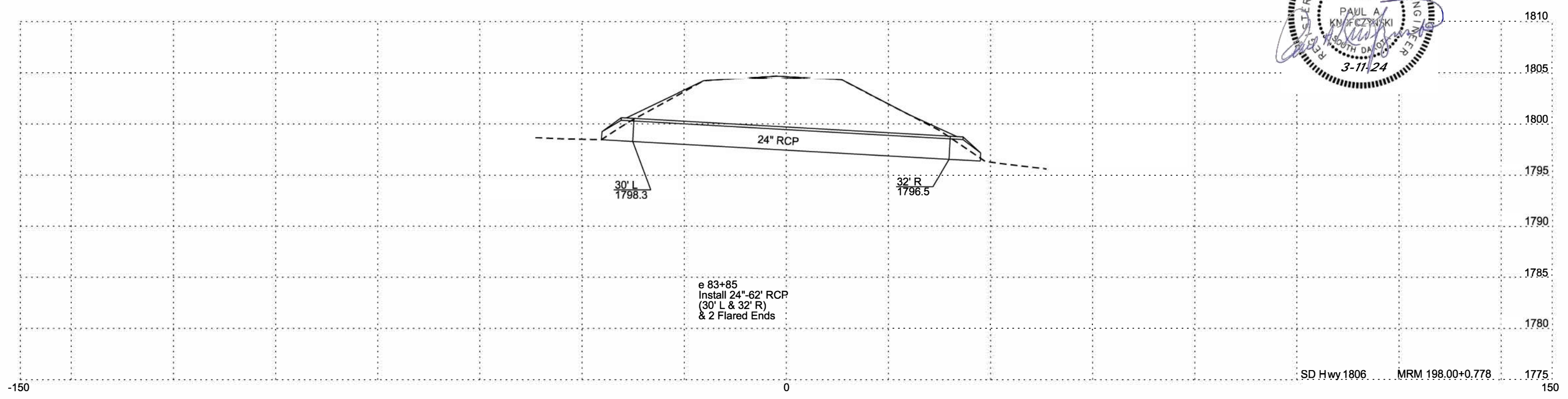
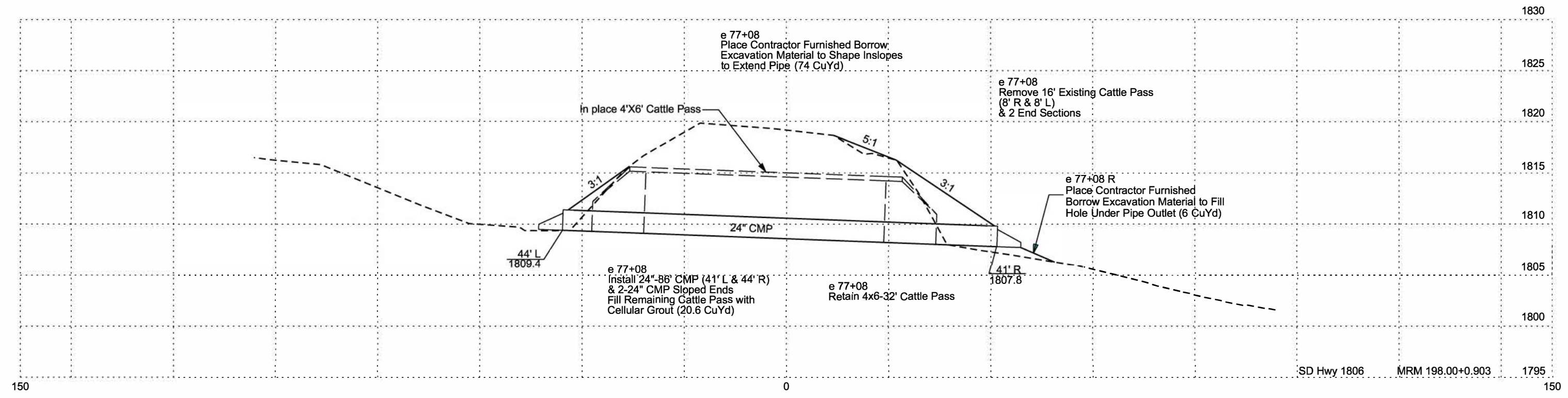
Plotting Date: 9/15/2023



Plot Scale - 1:19,411.8

Plotted From - lenbrassfield

File - ...ICAD\Working\p060P.dgn



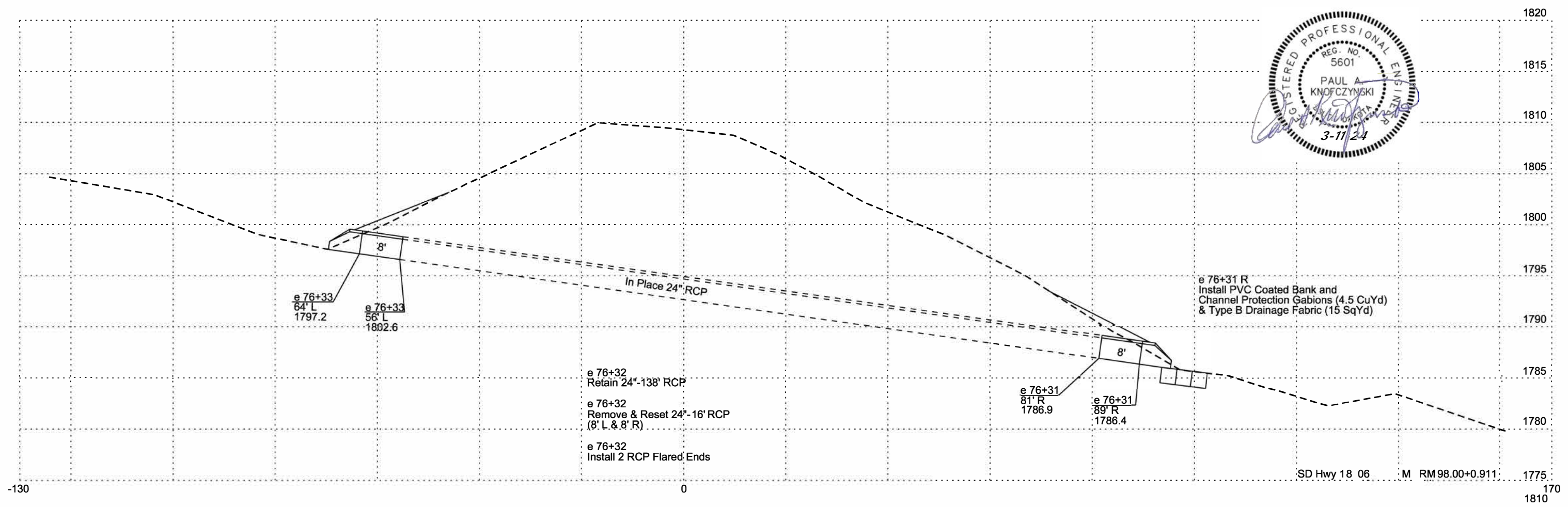
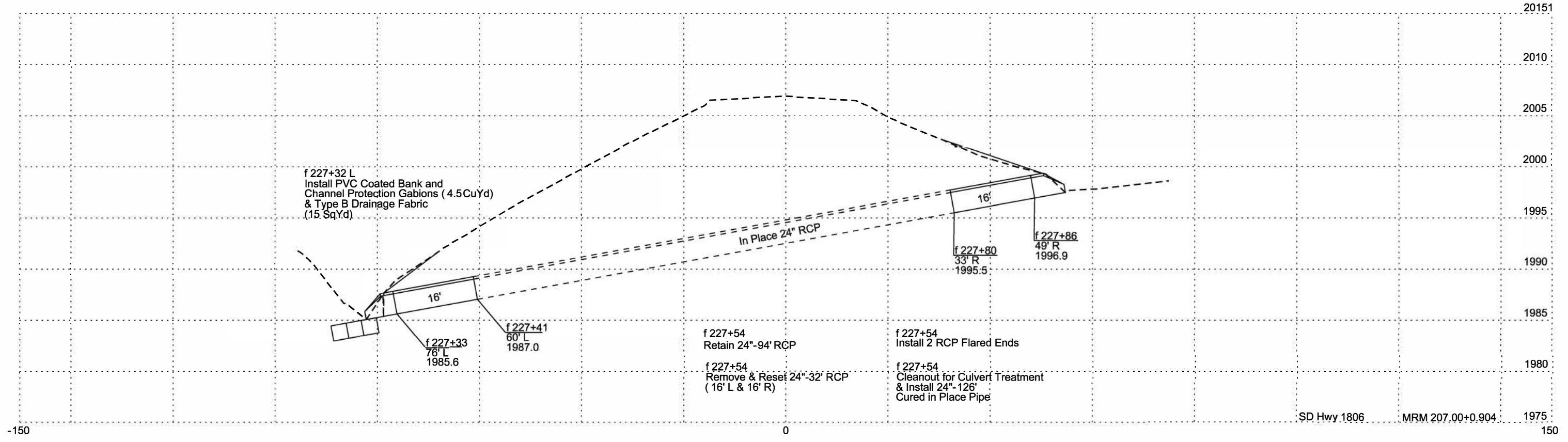
Plot Scale - 1:19,411.8

Plotted From - lenbrassfield

File - ...ICADWorkingp060P.dgn

Plotting Date: 9/15/2023

Plot Scale - 1:19,411.8



Plotted From - lenbrassfield

File - ...ICAD\Working\p06QP.dgn