

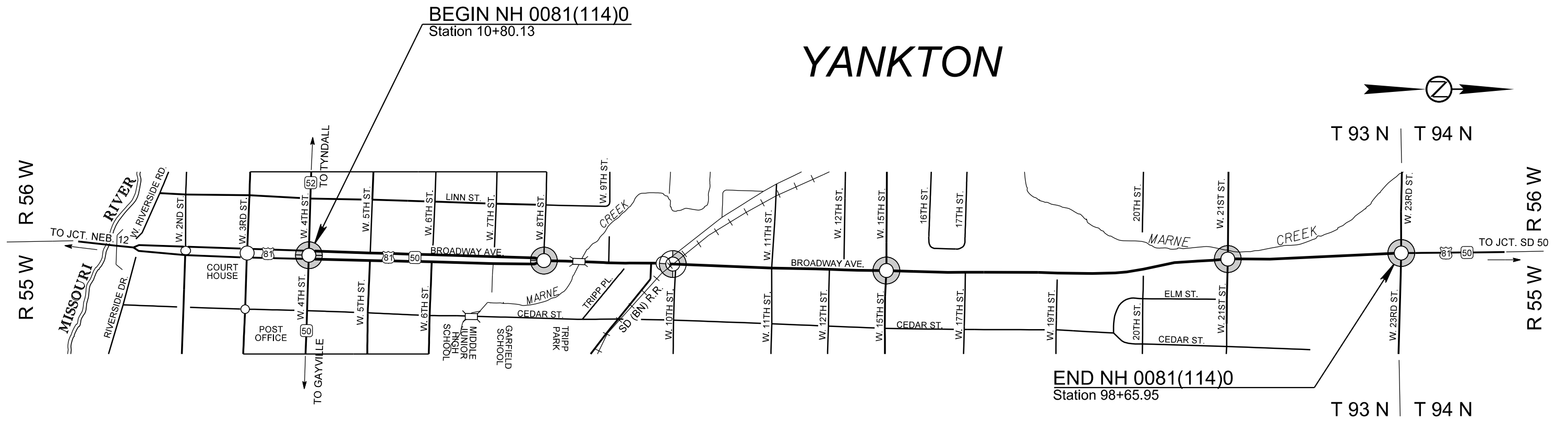
SECTION X: CROSS SECTIONS

STATE OF SOUTH DAKOTA	PROJECT	SHEET	TOTAL SHEETS
	NH 0081(114)0	X1	X13

Plotting Date: 10/11/2023

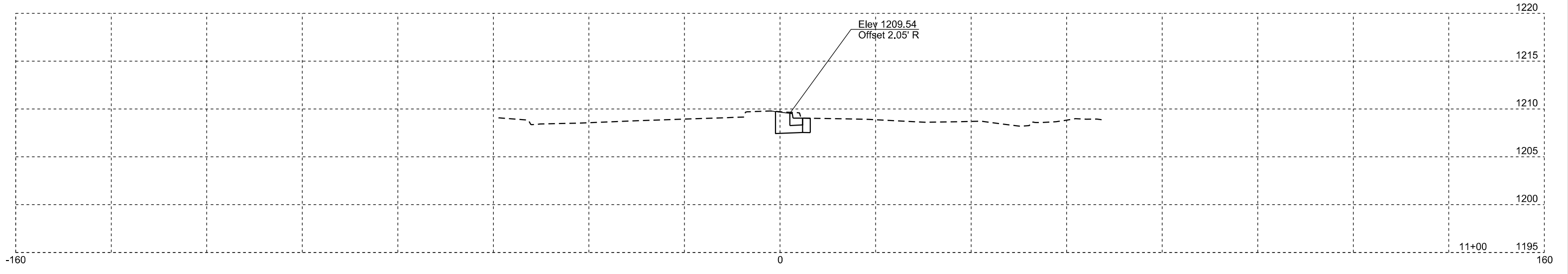
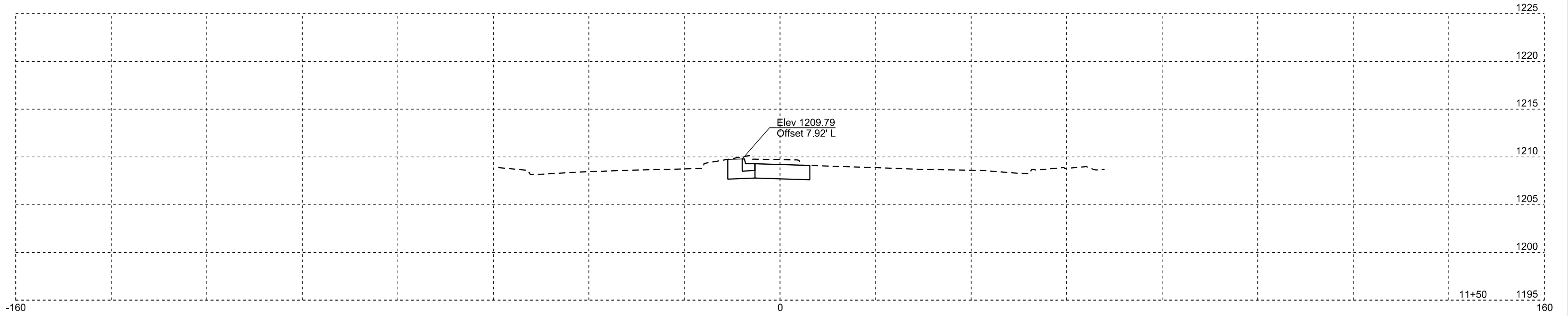
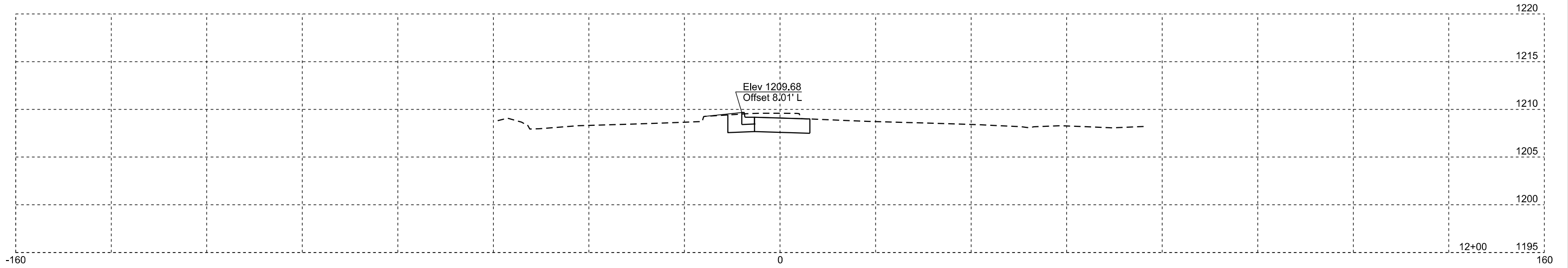
INDEX OF SHEETS

X1 General Layout with Index
X2 -X9 Cross Sections



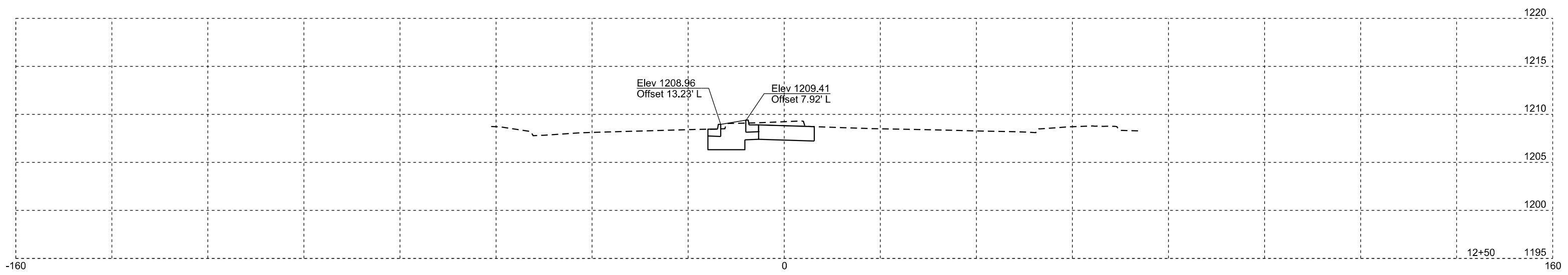
Plotting Date: 10/11/2023

STATE OF SOUTH DAKOTA	PROJECT	SHEET	TOTAL SHEETS
	NH_0081(114)0	X2	X13

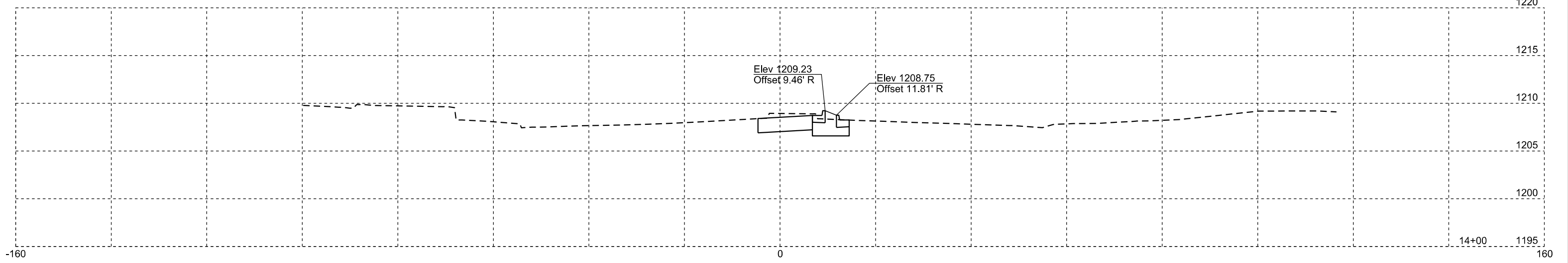
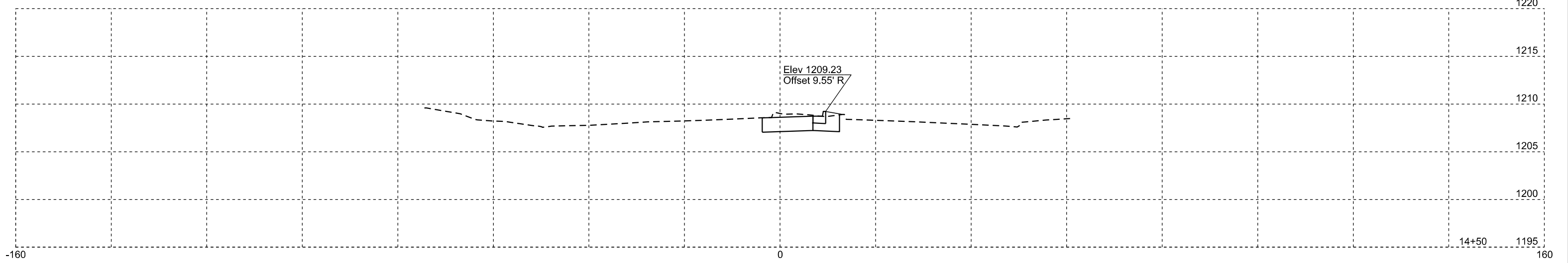
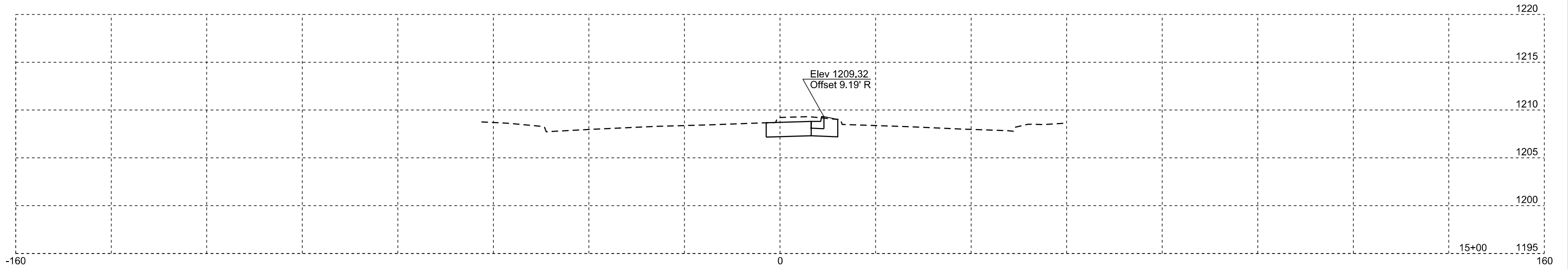


Plotting Date: 10/11/2023

STATE OF SOUTH DAKOTA	PROJECT	SHEET	TOTAL SHEETS
	NH_0081(114)0	X3	X13

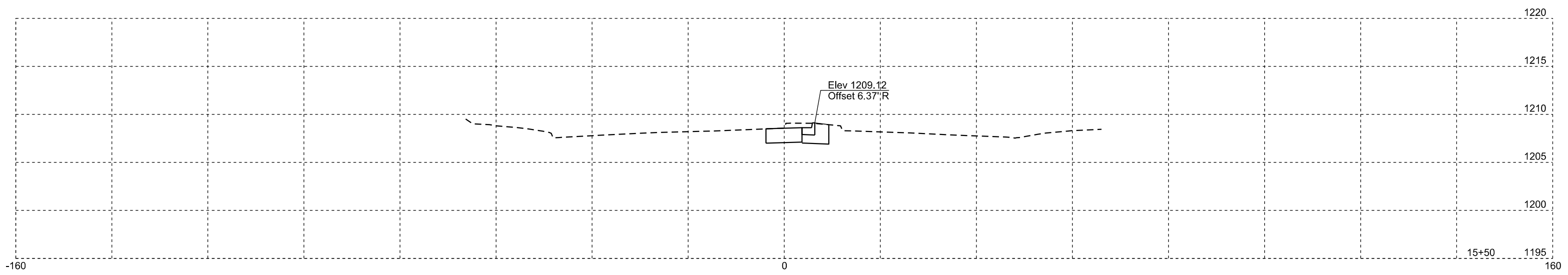


STATE OF SOUTH DAKOTA	PROJECT	SHEET	TOTAL SHEETS
	NH_0081(114)0	X4	X13



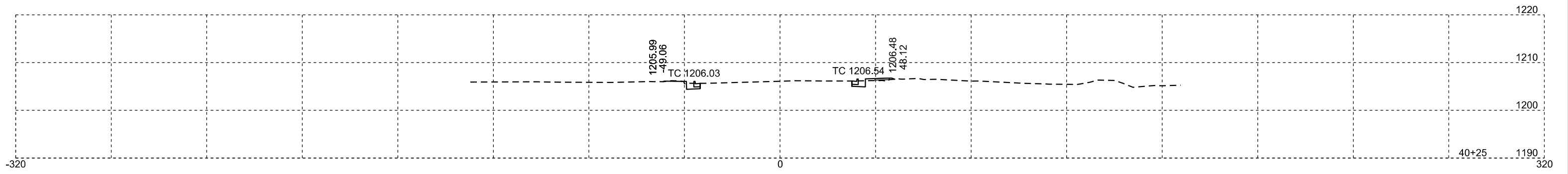
Plotting Date: 10/11/2023

STATE OF SOUTH DAKOTA	PROJECT	SHEET	TOTAL SHEETS
	NH_0081(114)0	X5	X13



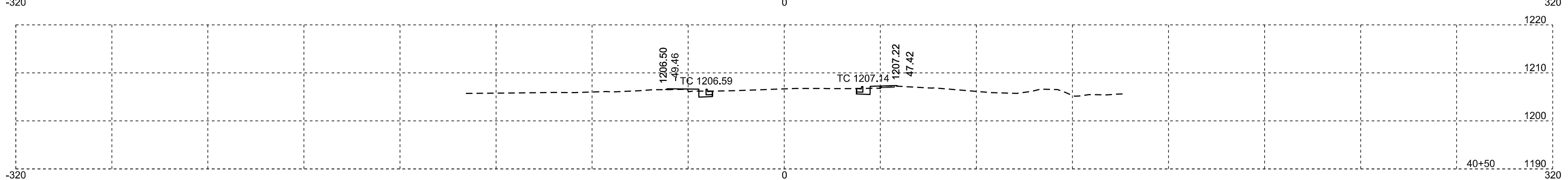
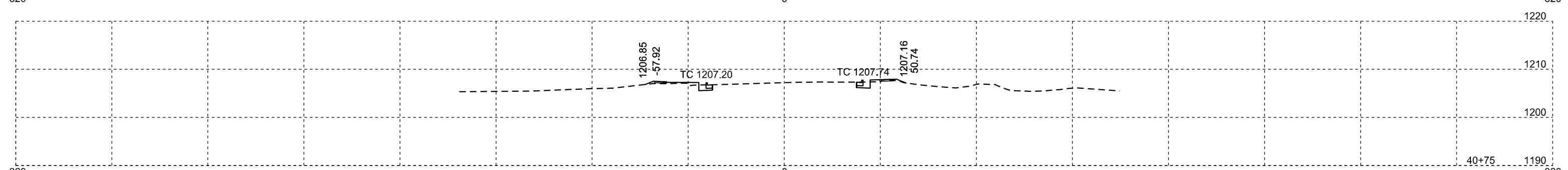
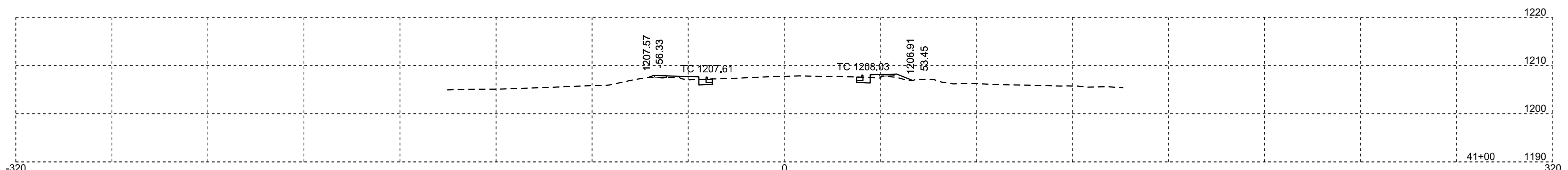
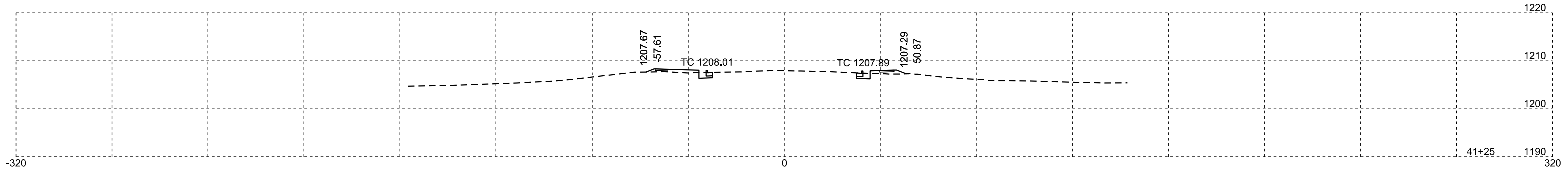
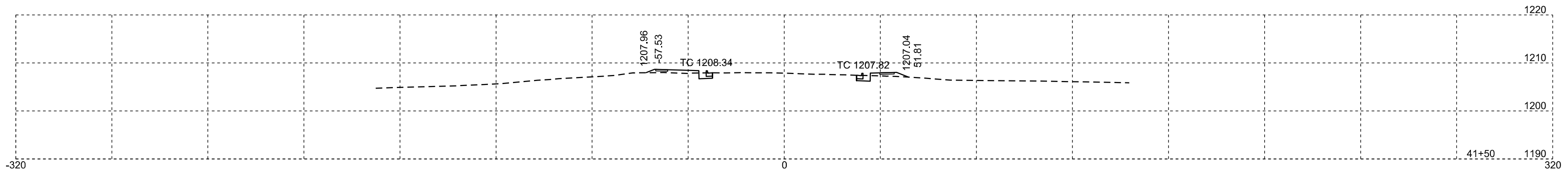
Plotting Date: 10/11/2023

STATE OF SOUTH DAKOTA	PROJECT	SHEET	TOTAL SHEETS
	NH 0081(114)0	X6	X13

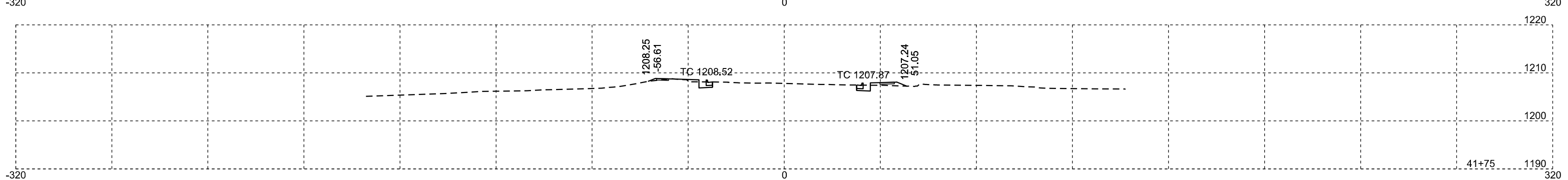
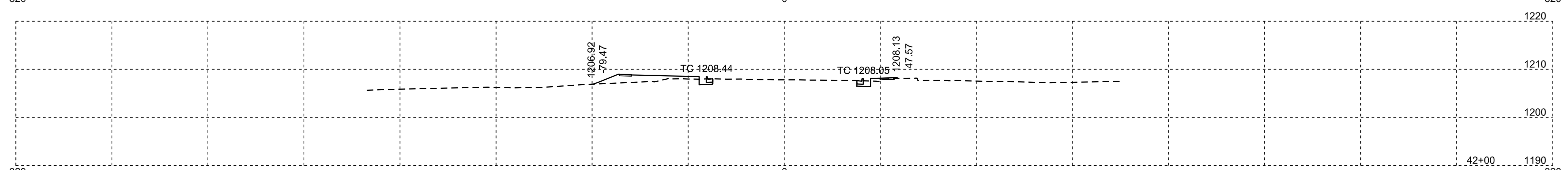
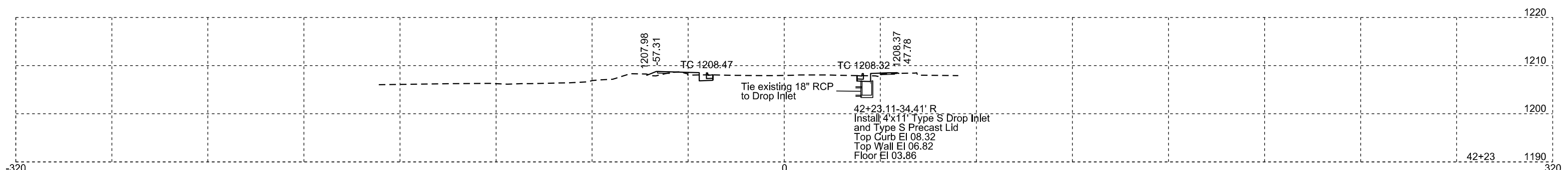
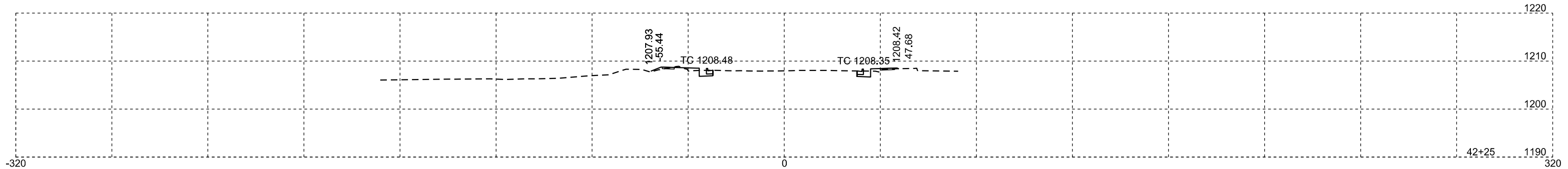
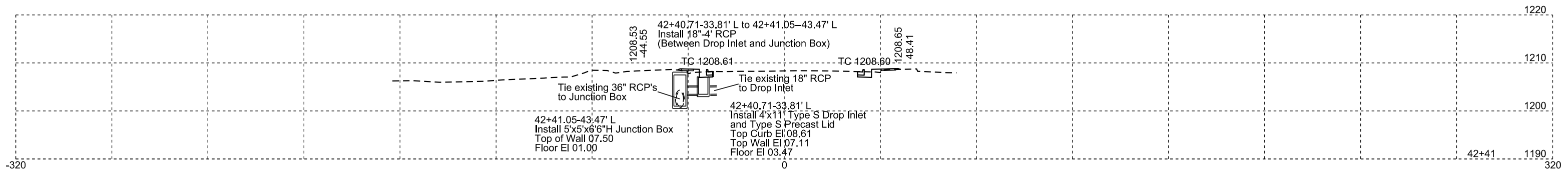


Plotting Date: 10/11/2023

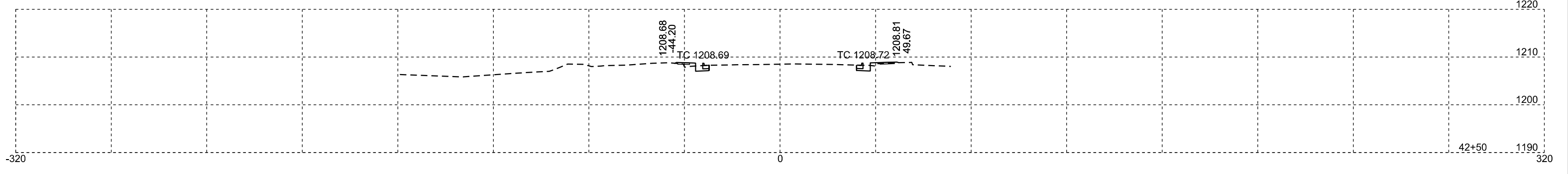
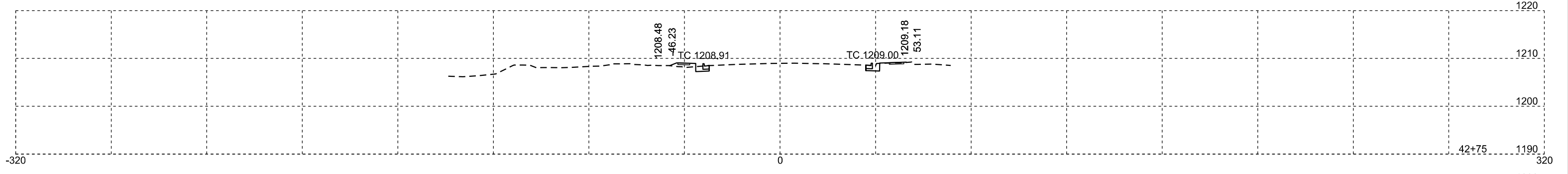
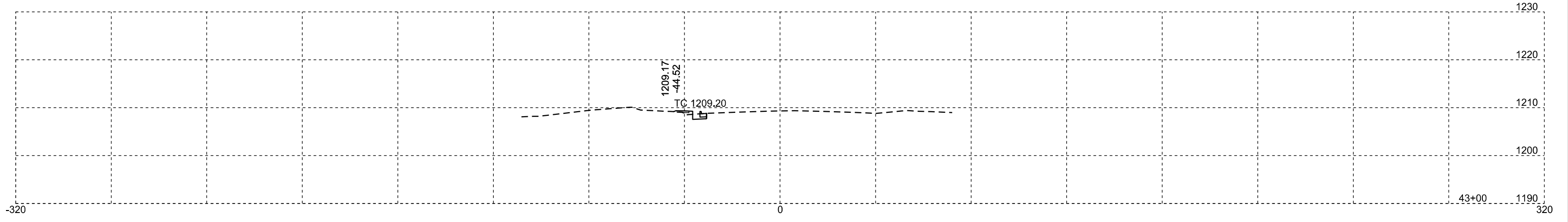
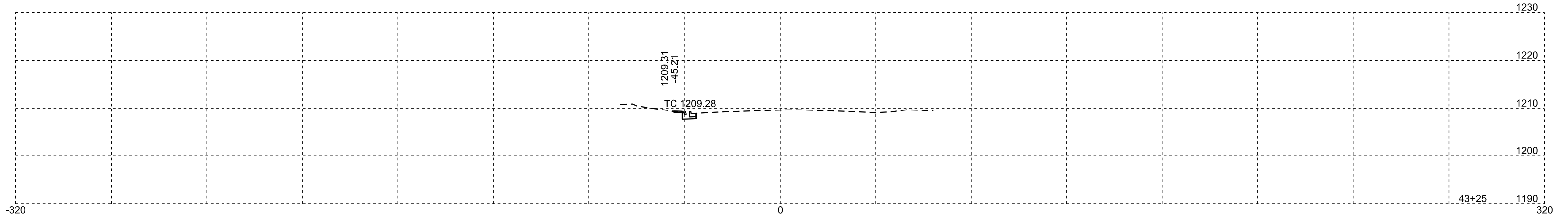
STATE OF SOUTH DAKOTA	PROJECT	SHEET	TOTAL SHEETS
	NH 0081(114)0	X7	X13

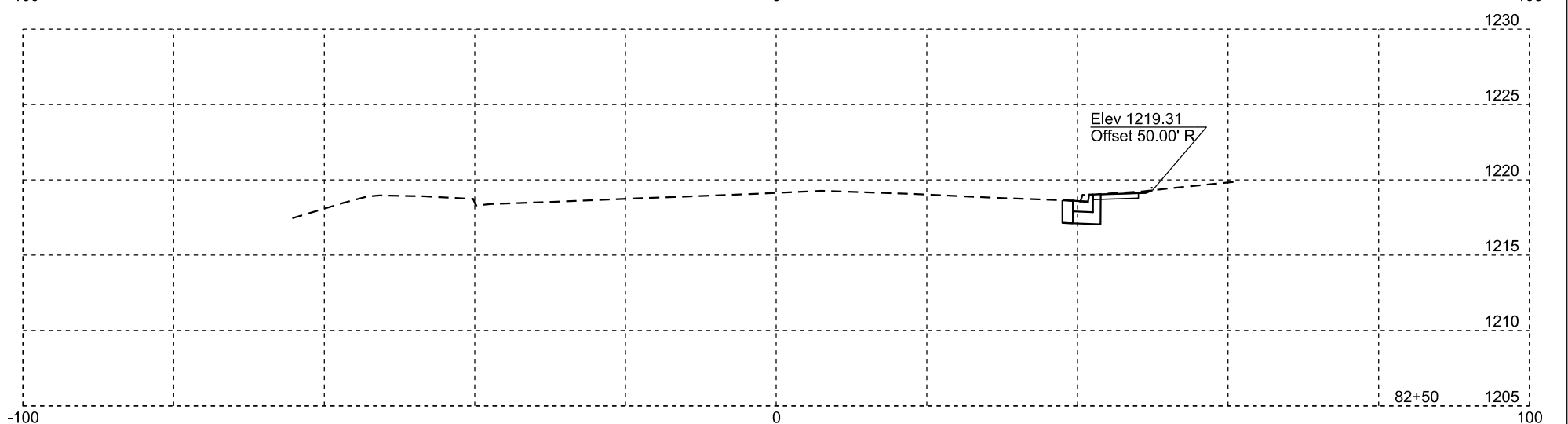
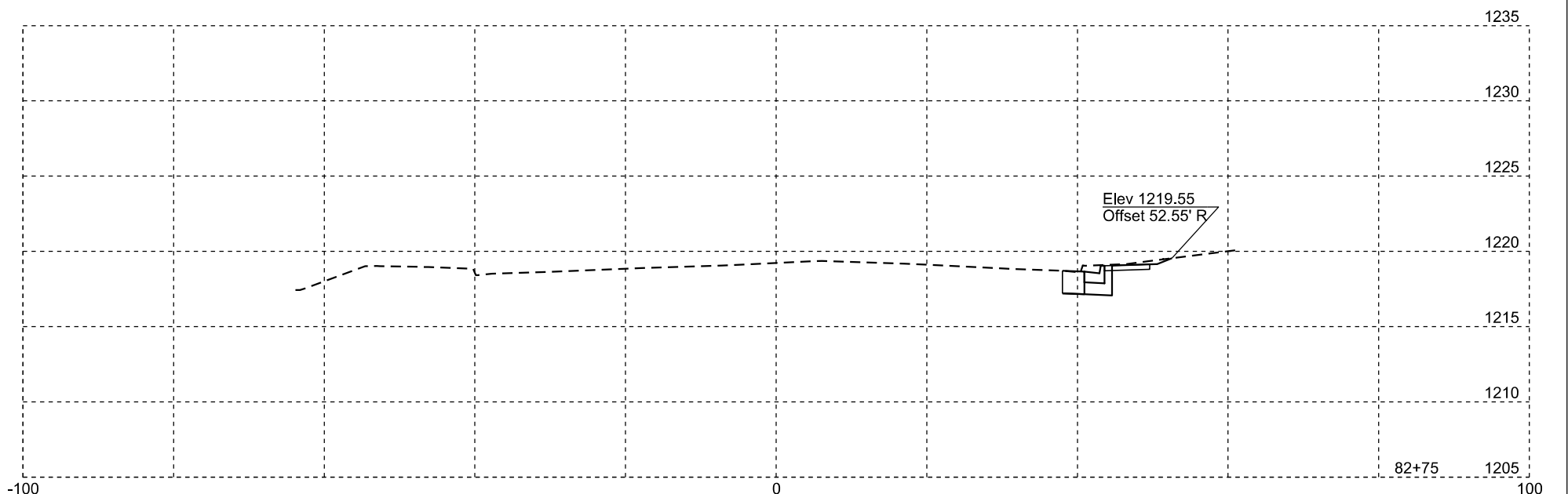
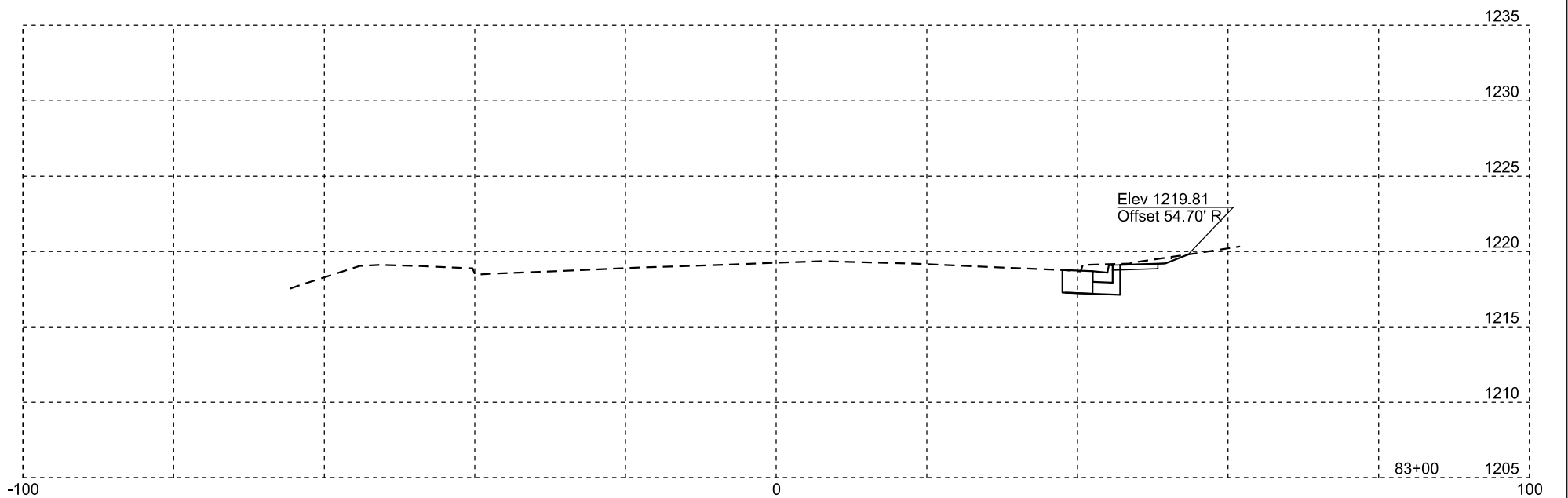
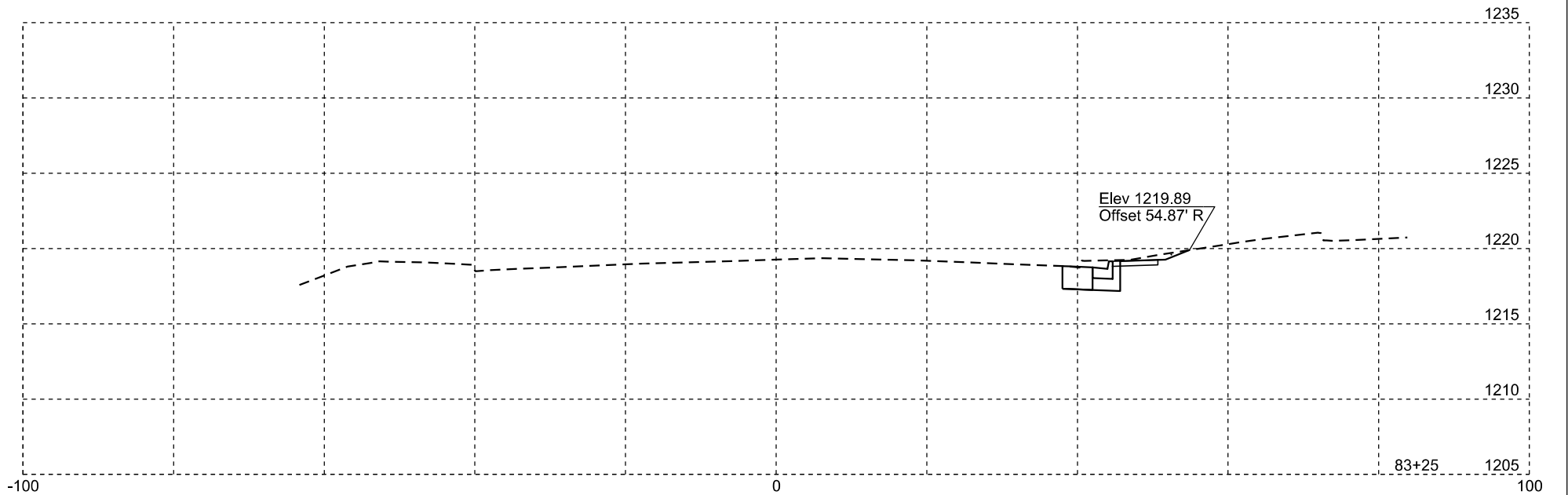
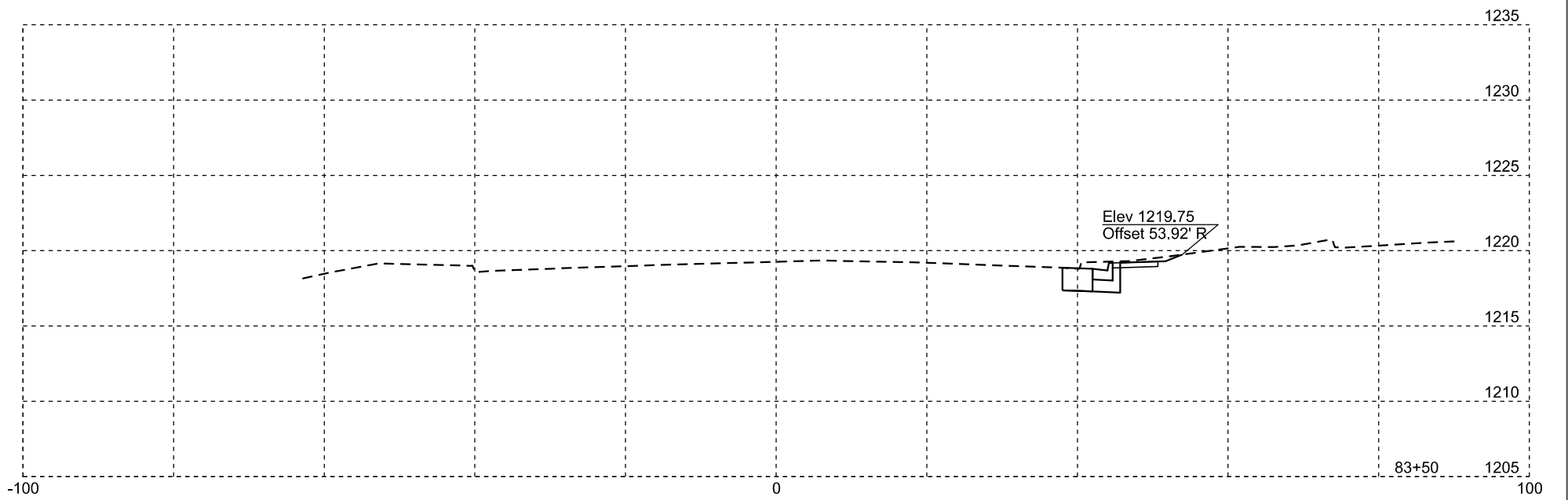


STATE OF SOUTH DAKOTA	PROJECT	SHEET	TOTAL SHEETS
	NH 0081(114)0	X8	X13



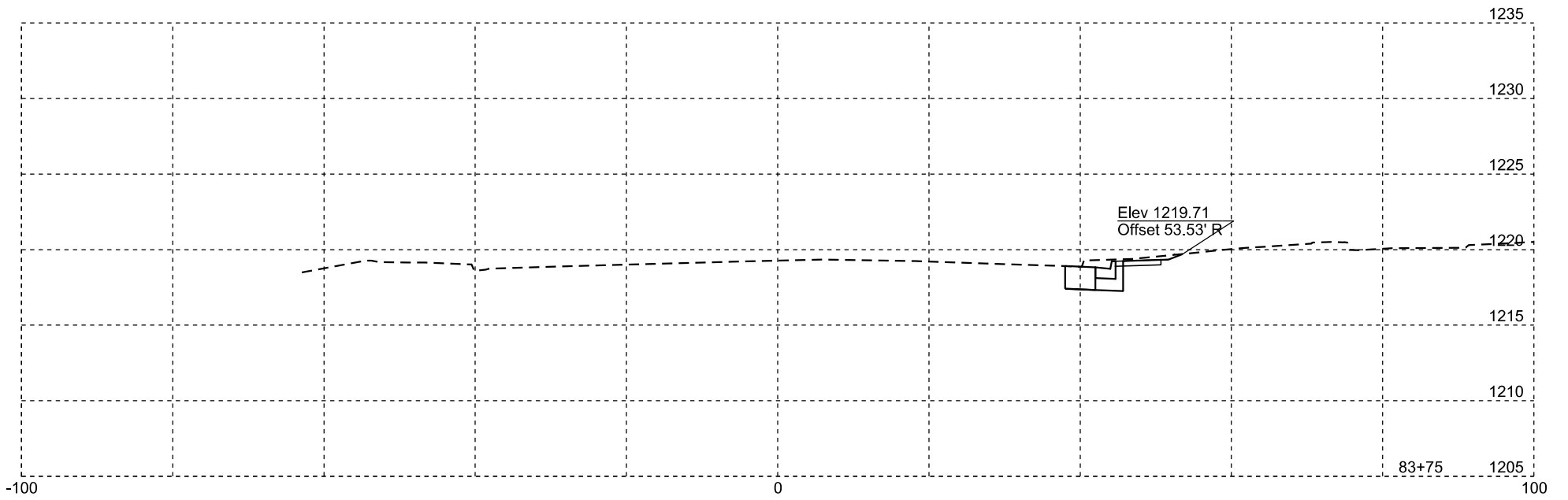
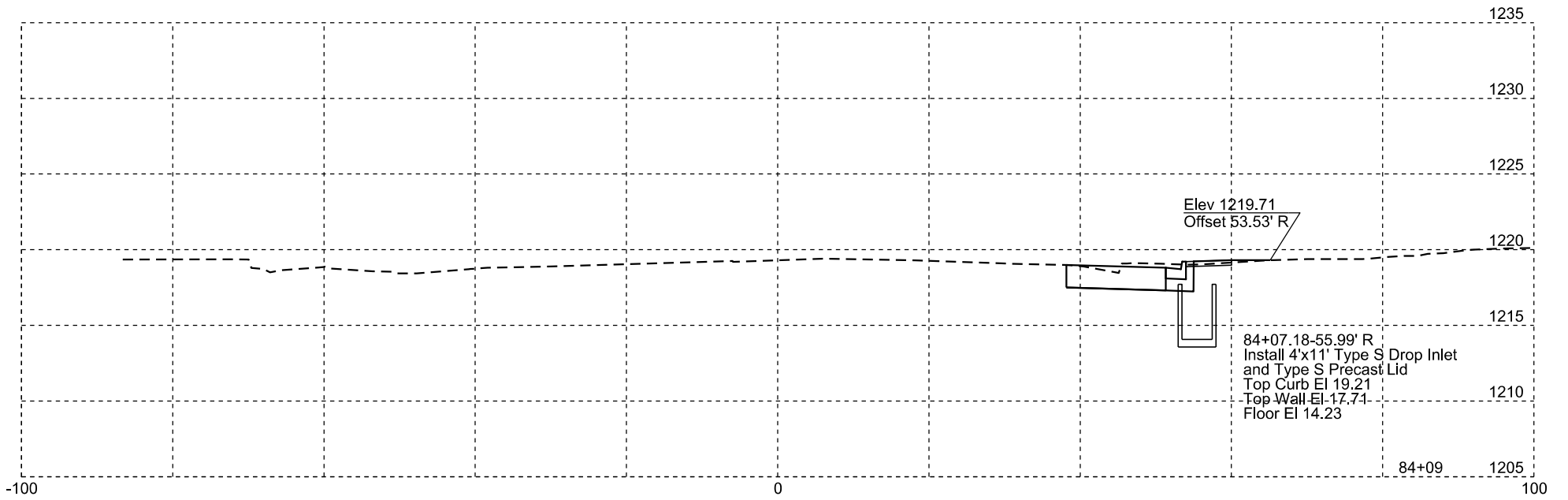
STATE OF SOUTH DAKOTA	PROJECT	SHEET	TOTAL SHEETS
	NH 0081(114)0	X9	X13





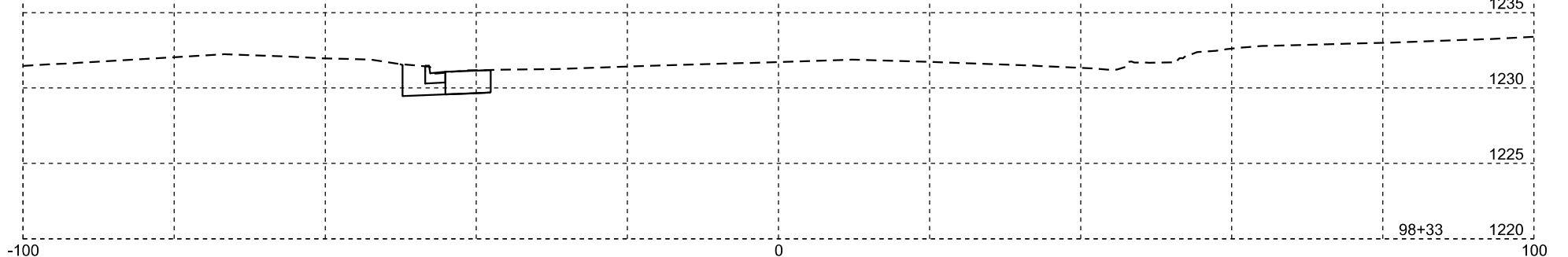
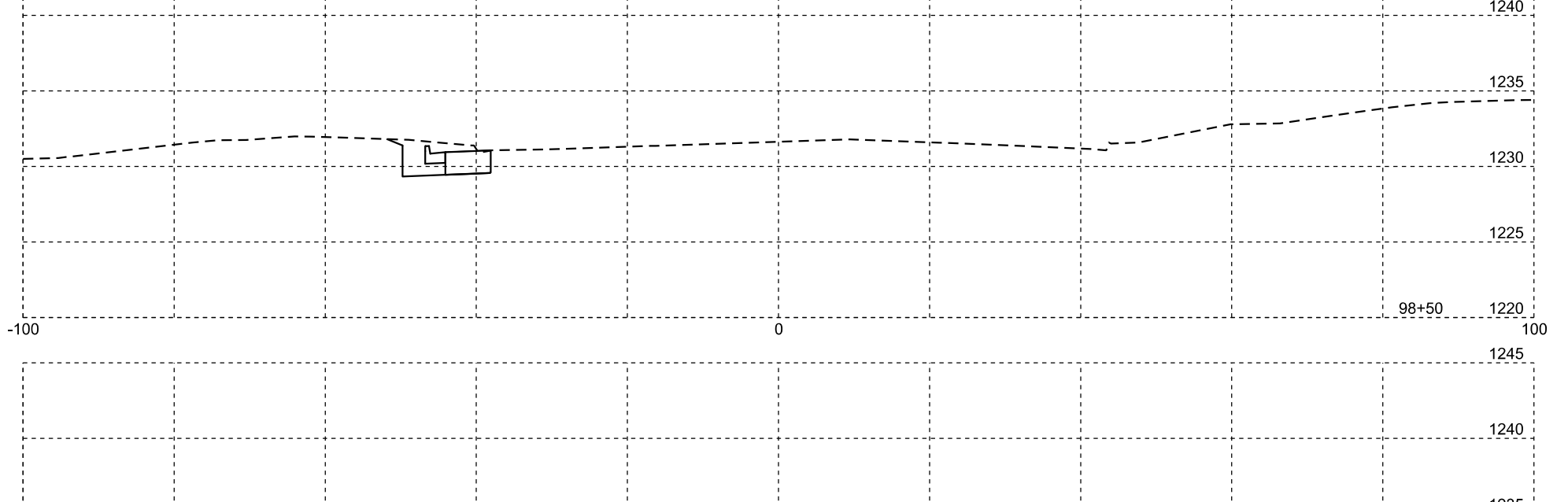
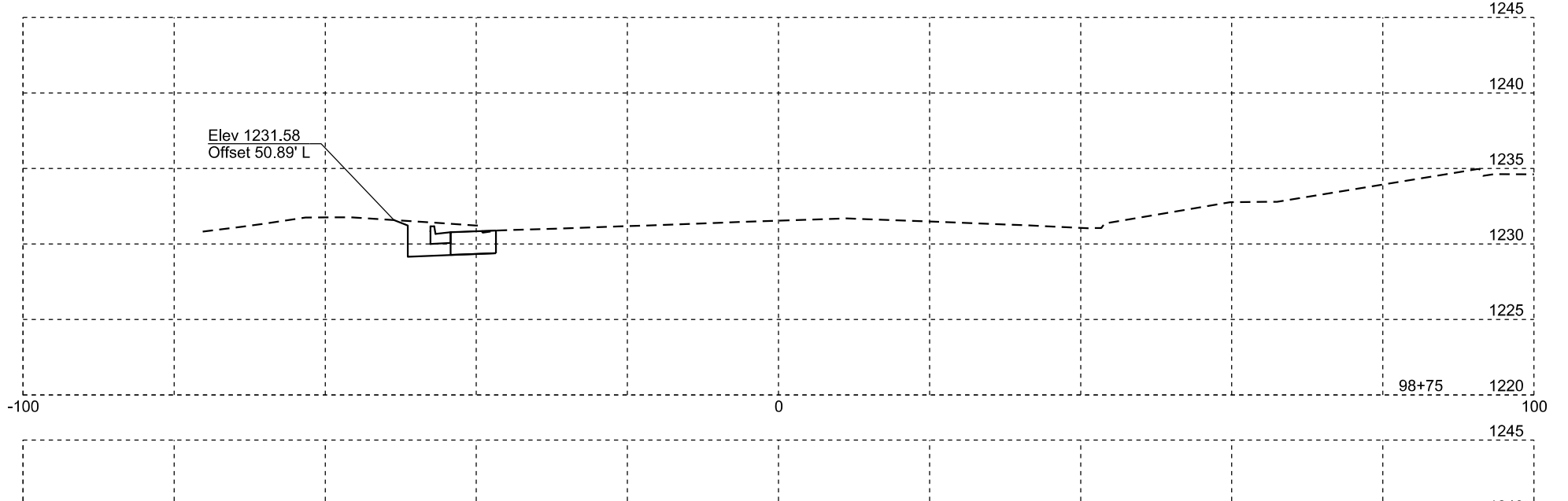
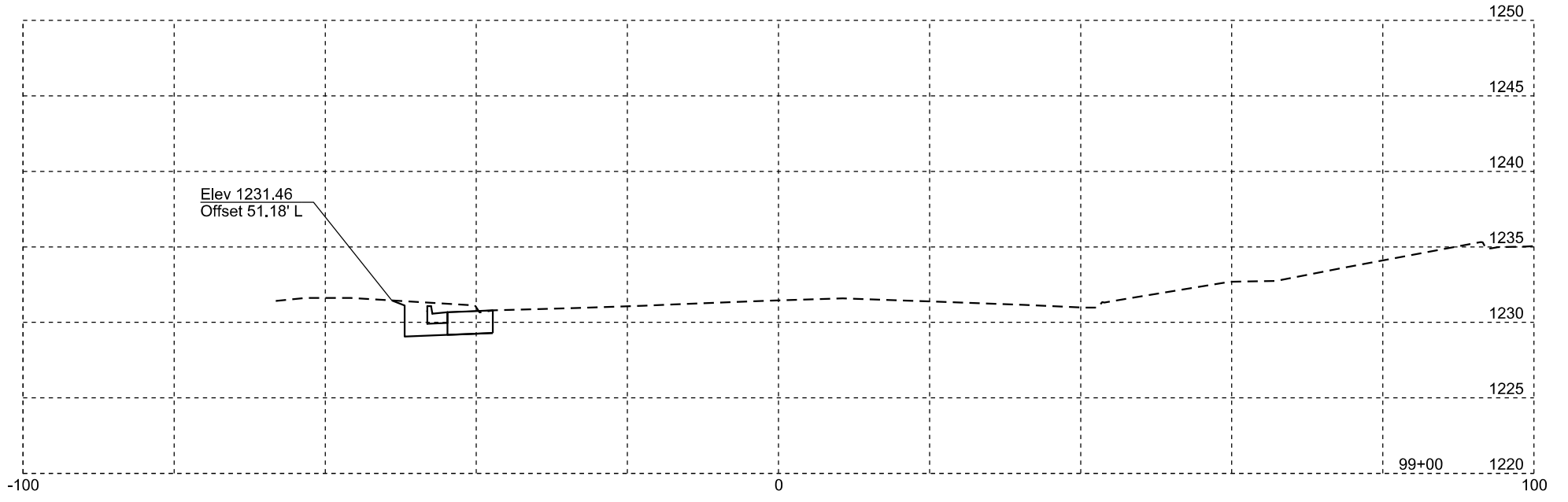
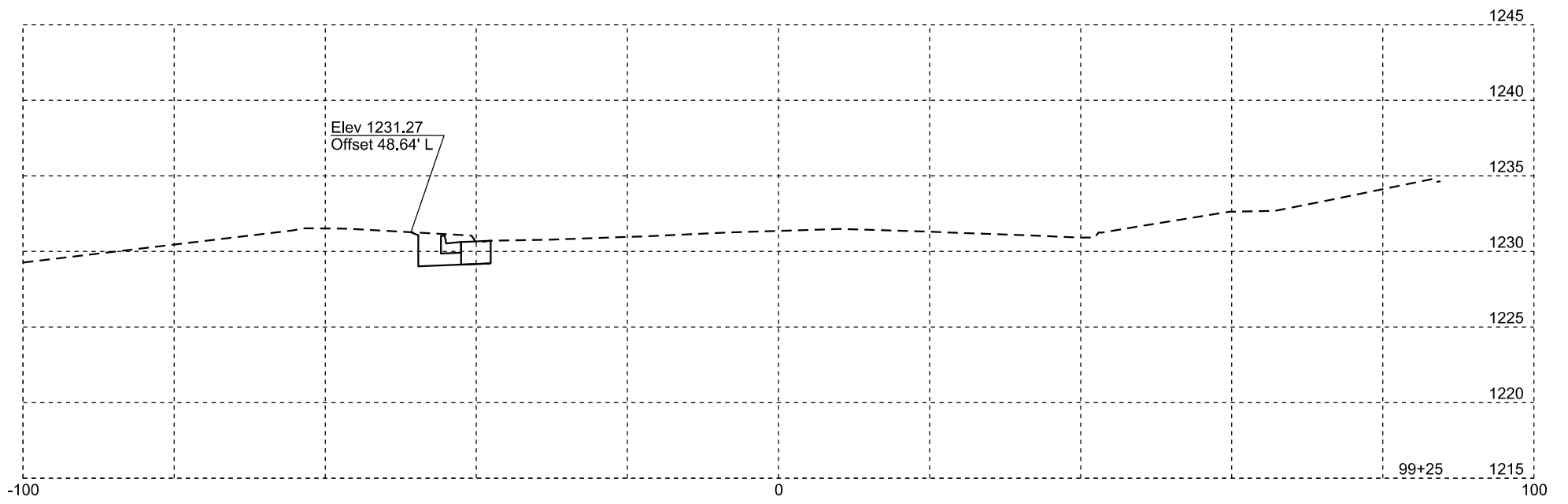
Plotting Date: 10/11/2023

STATE OF SOUTH DAKOTA	PROJECT	SHEET NO.	TOTAL SHEETS
	NH 0081(114)0	X10	X13



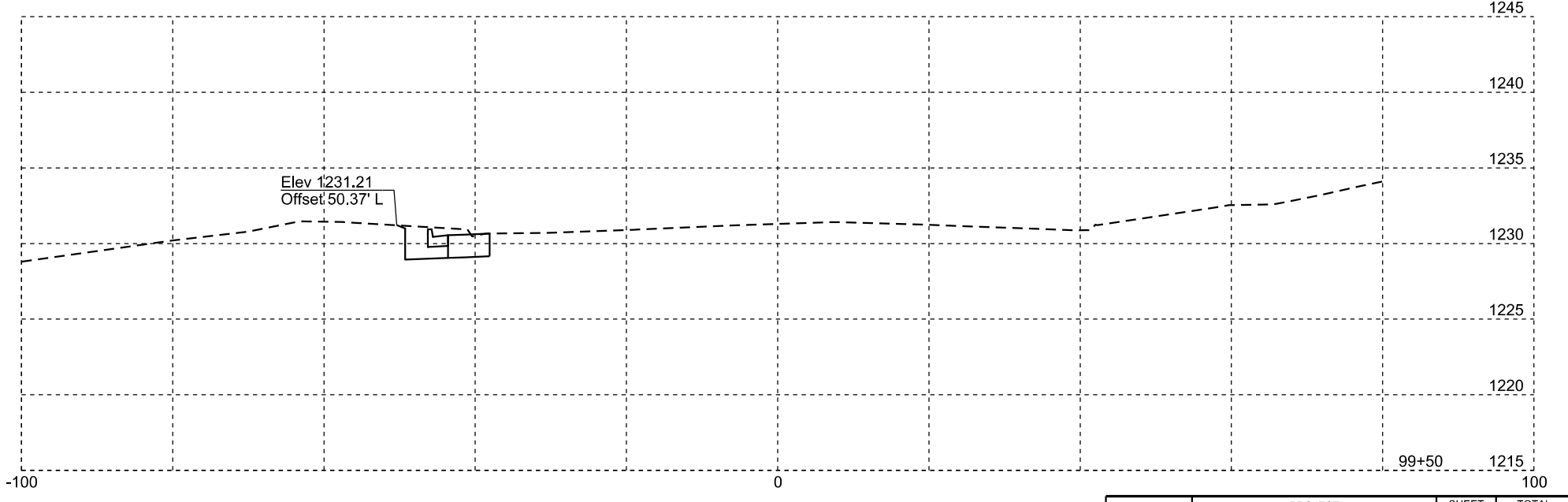
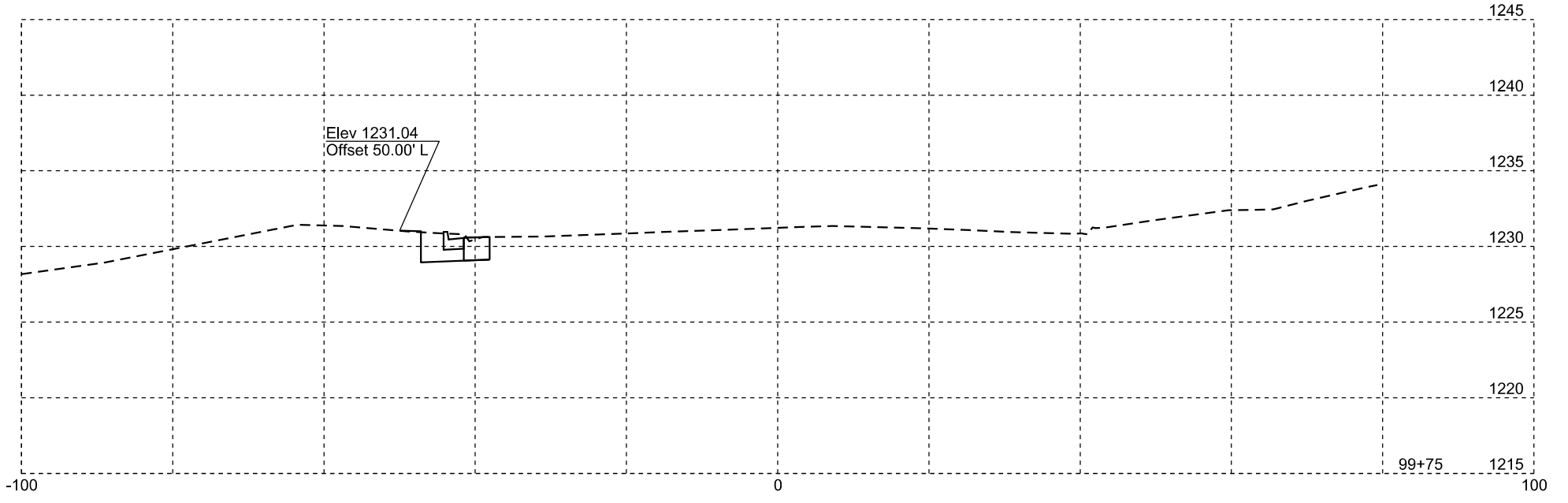
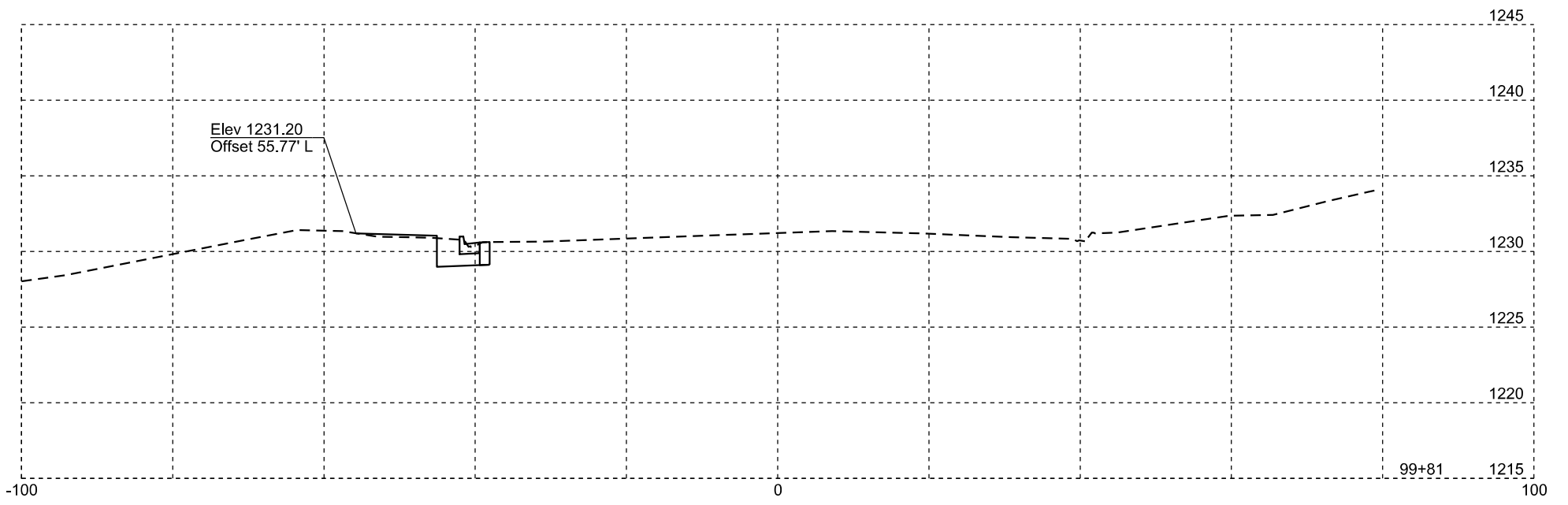
Plotting Date: 10/11/2023

STATE OF SOUTH DAKOTA	PROJECT	SHEET NO.	TOTAL SHEETS
	NH 0081(114)0	X11	X13



Plotting Date: 10/11/2023

STATE OF SOUTH DAKOTA	PROJECT	SHEET NO.	TOTAL SHEETS
	NH 0081(114)0	X12	X13



Plotting Date: 10/11/2023

STATE OF SOUTH DAKOTA	PROJECT	SHEET NO.	TOTAL SHEETS
	NH 0081(114)0	X13	X13