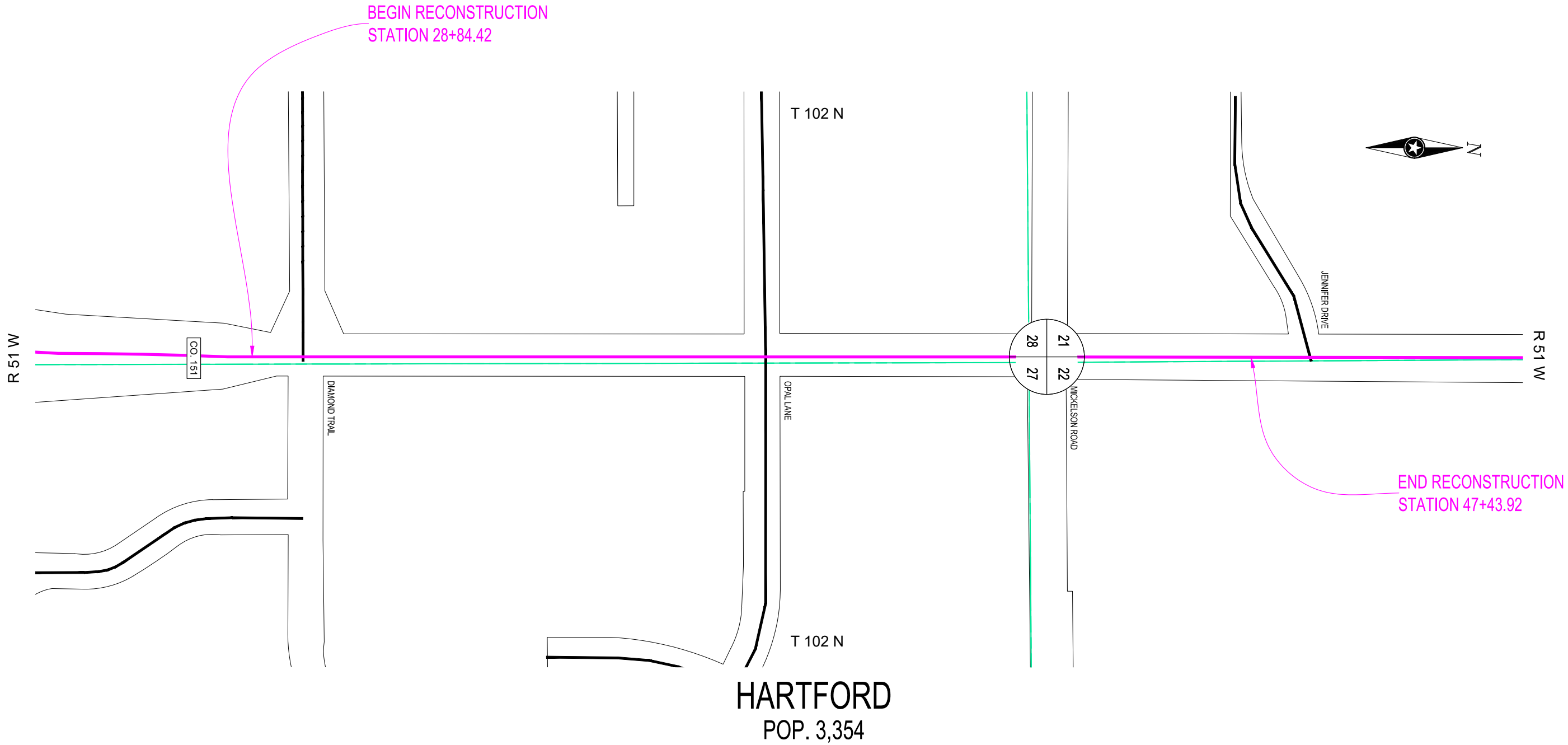
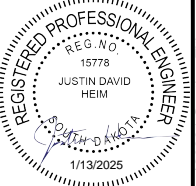


SECTION X: CROSS SECTIONS

STATE OF SOUTH DAKOTA	PROJECT	SHEET	TOTAL SHEETS
	P 6353(00)	X1	X20

Plotting Date: 1/7/2025

INDEX OF SHEETS
X1 Section Title Sheet
X2-X20 Cross Sections

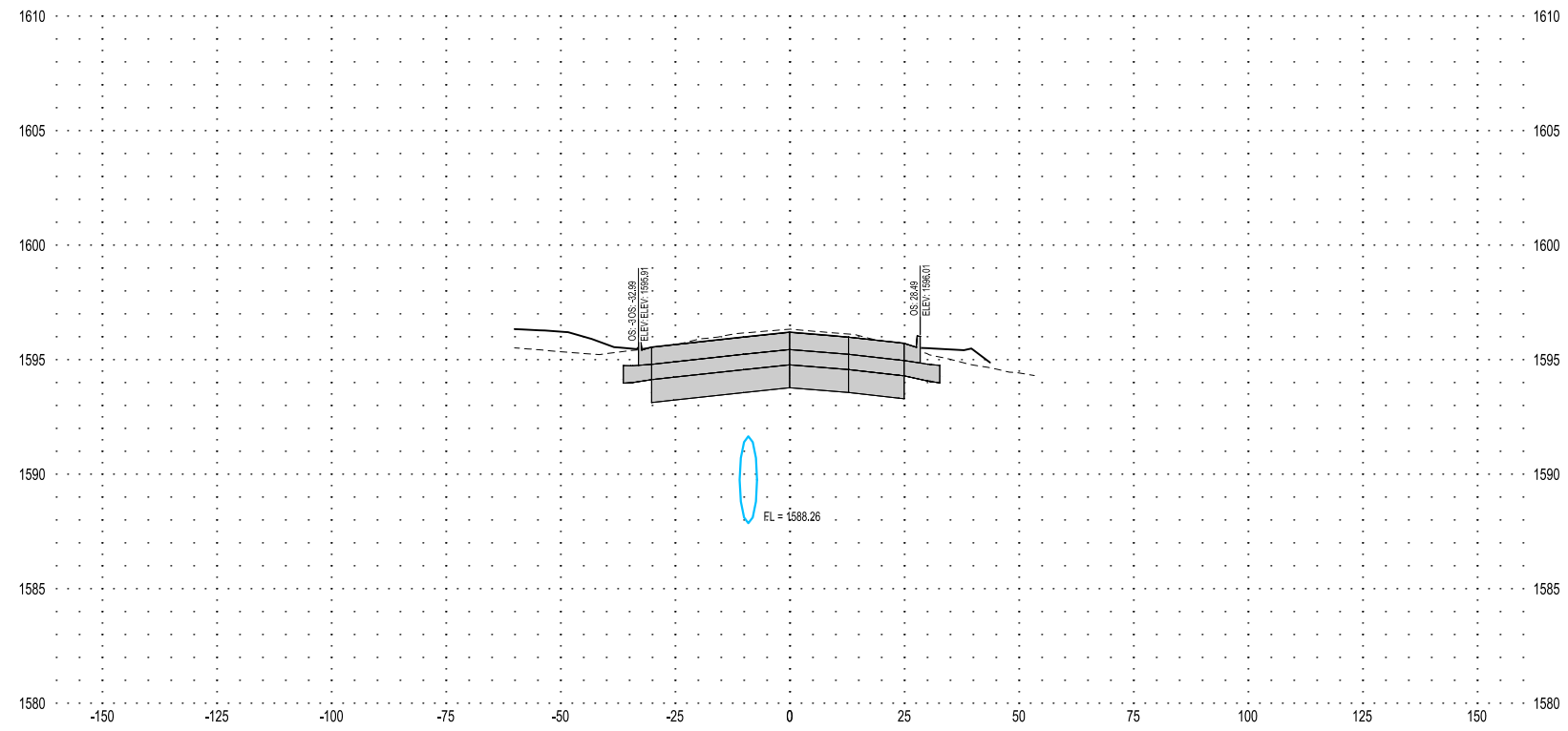


STATE OF SOUTH DAKOTA	PROJECT	SHEET	TOTAL SHEETS
	P 6353(00)	X2	X20

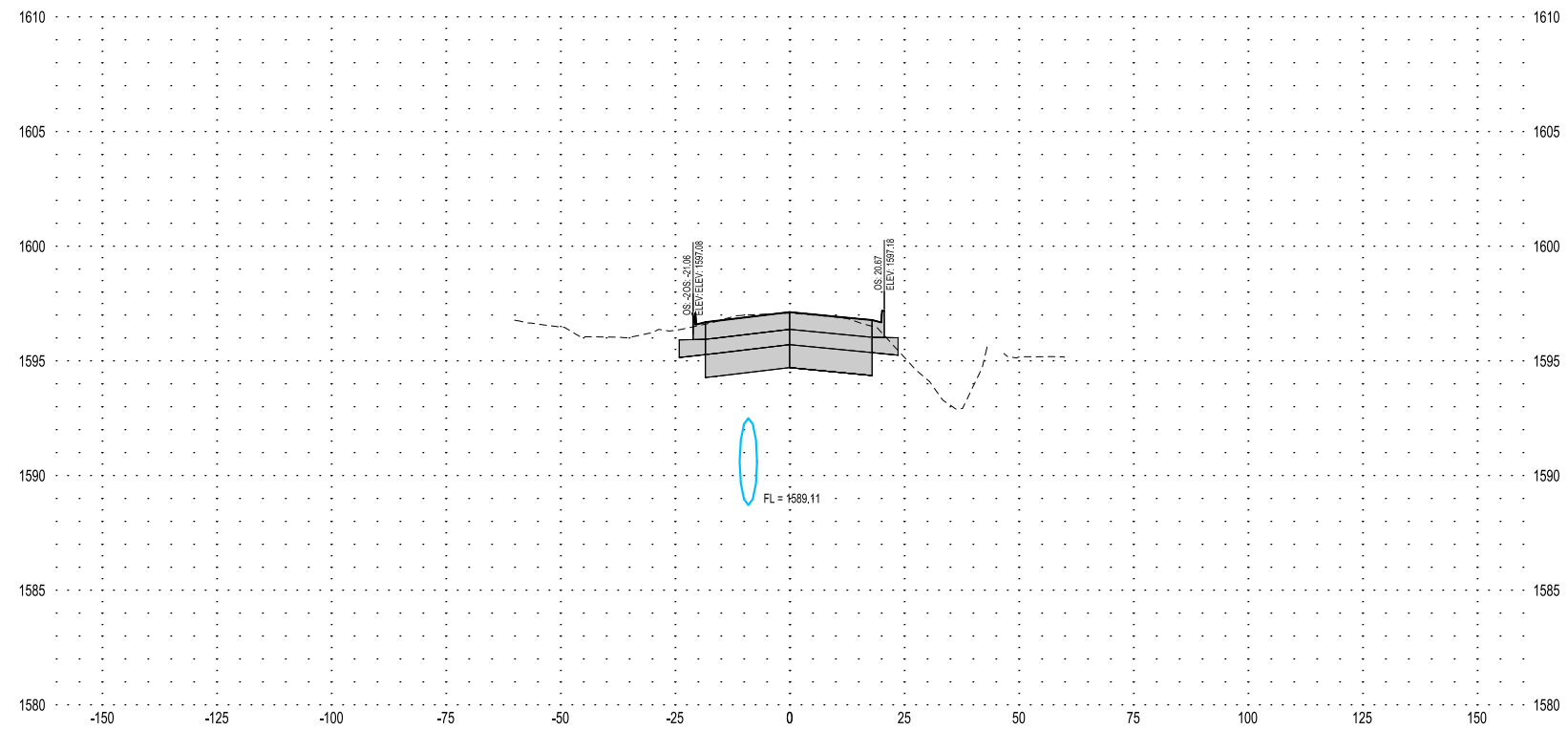
Plotting Date: 1/7/2025



29+50

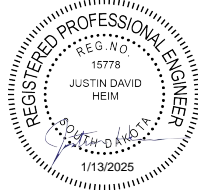


29+00

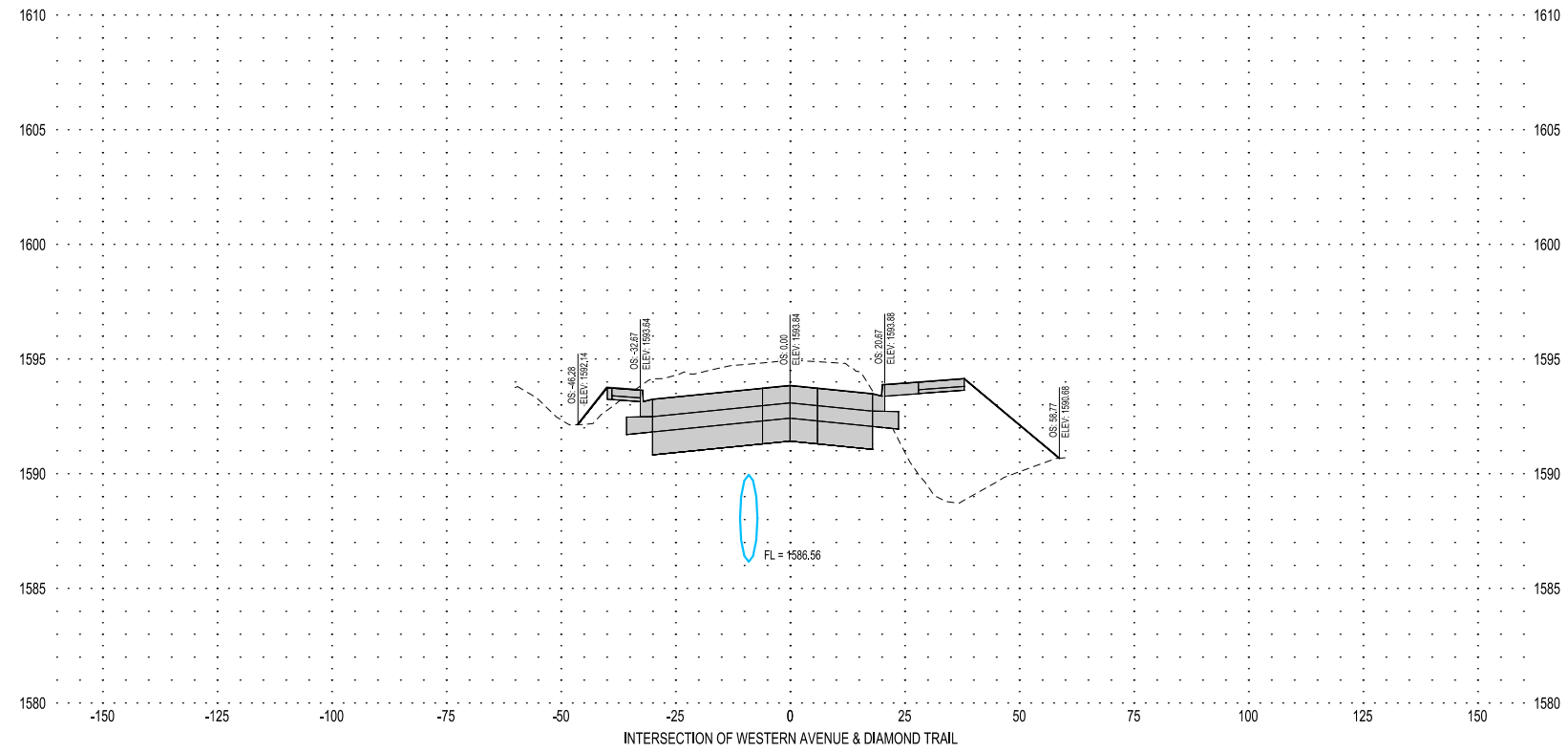


STATE OF SOUTH DAKOTA	PROJECT	SHEET	TOTAL SHEETS
	P 6353(00)	X3	X20

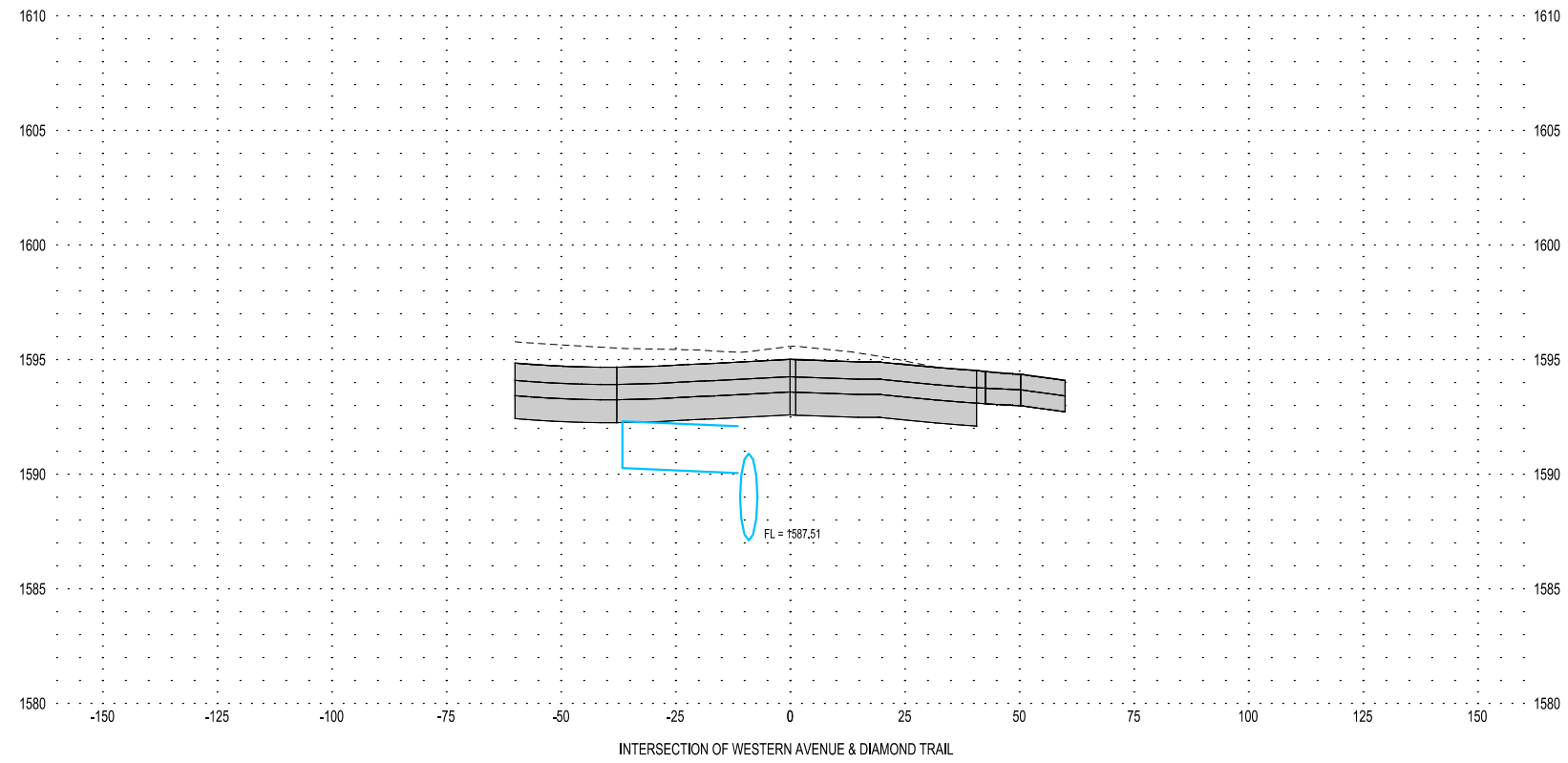
Plotting Date: 1/7/2025



30+50

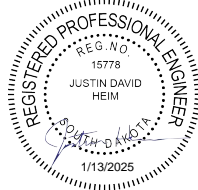


30+00

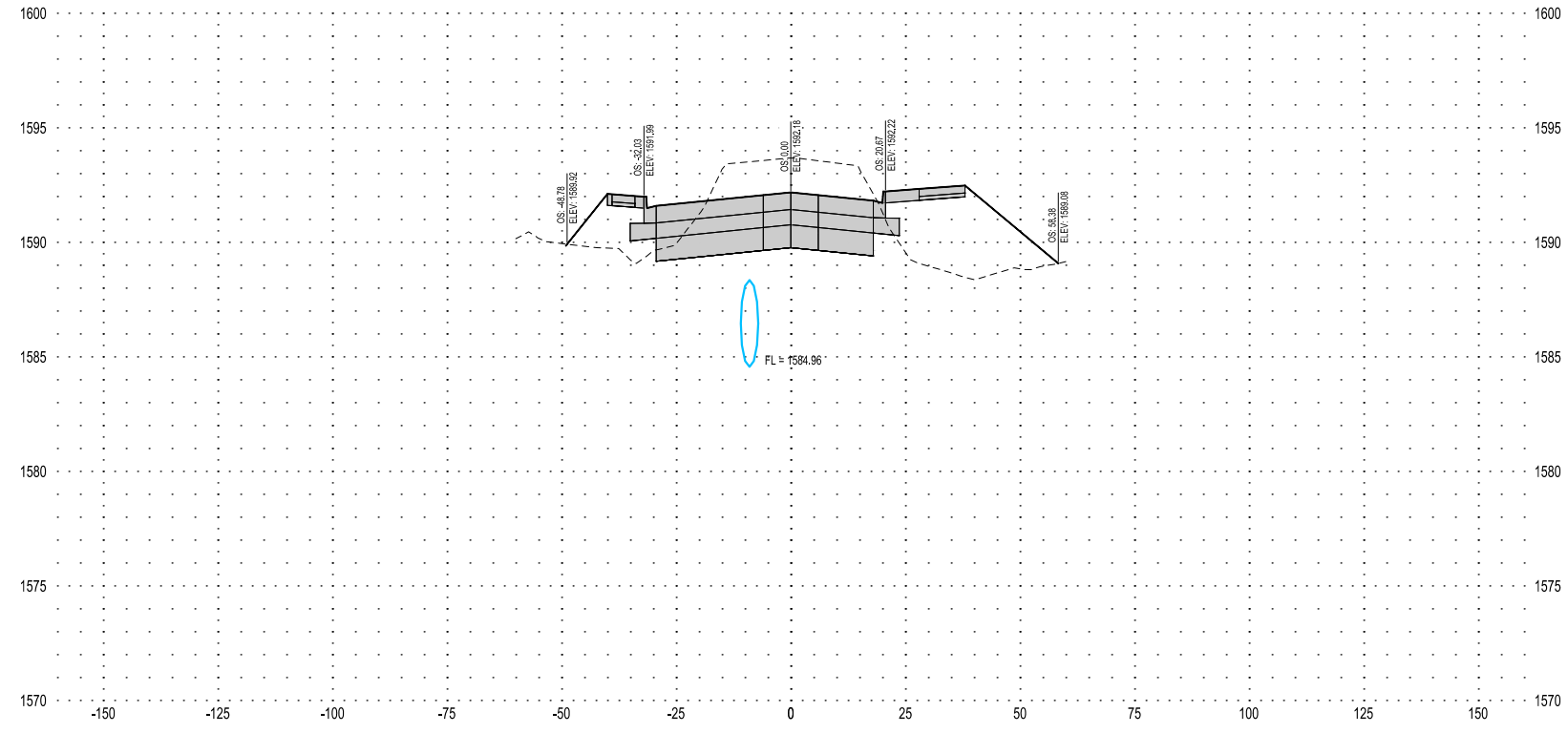


STATE OF SOUTH DAKOTA	PROJECT	SHEET	TOTAL SHEETS
	P 6353(00)	X4	X20

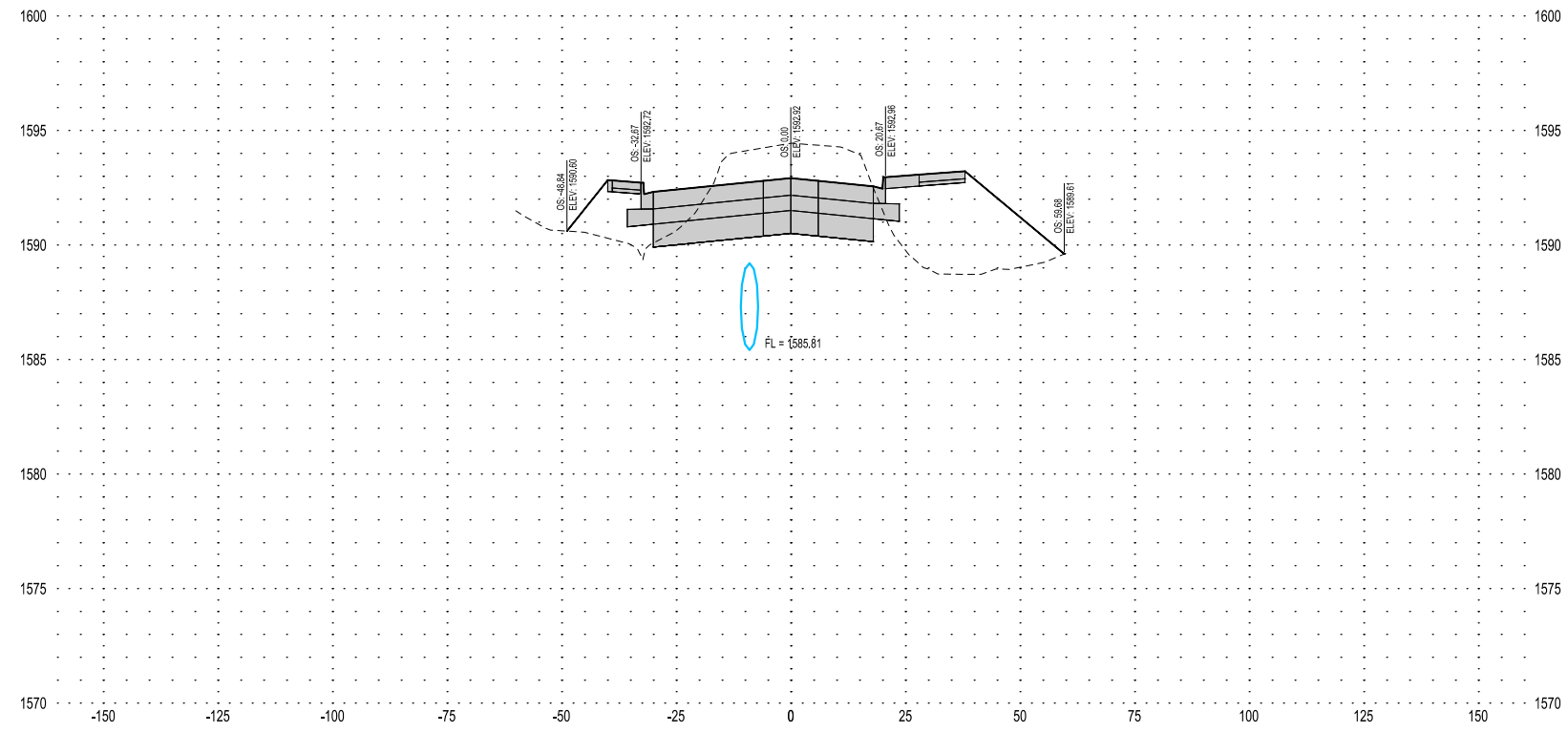
Plotting Date: 1/7/2025



31+50



31+00

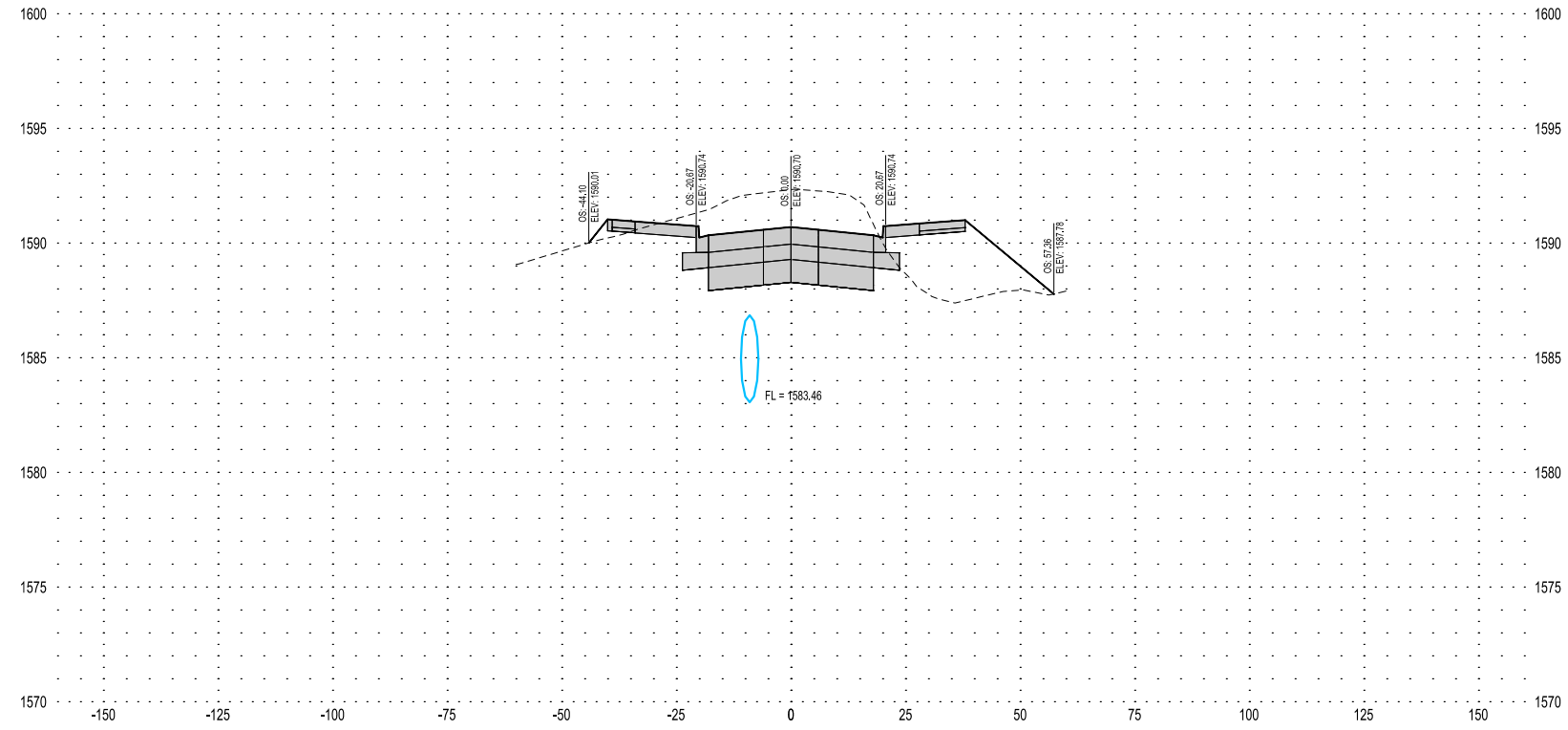


STATE OF SOUTH DAKOTA	PROJECT	SHEET	TOTAL SHEETS
	P 6353(00)	X5	X20

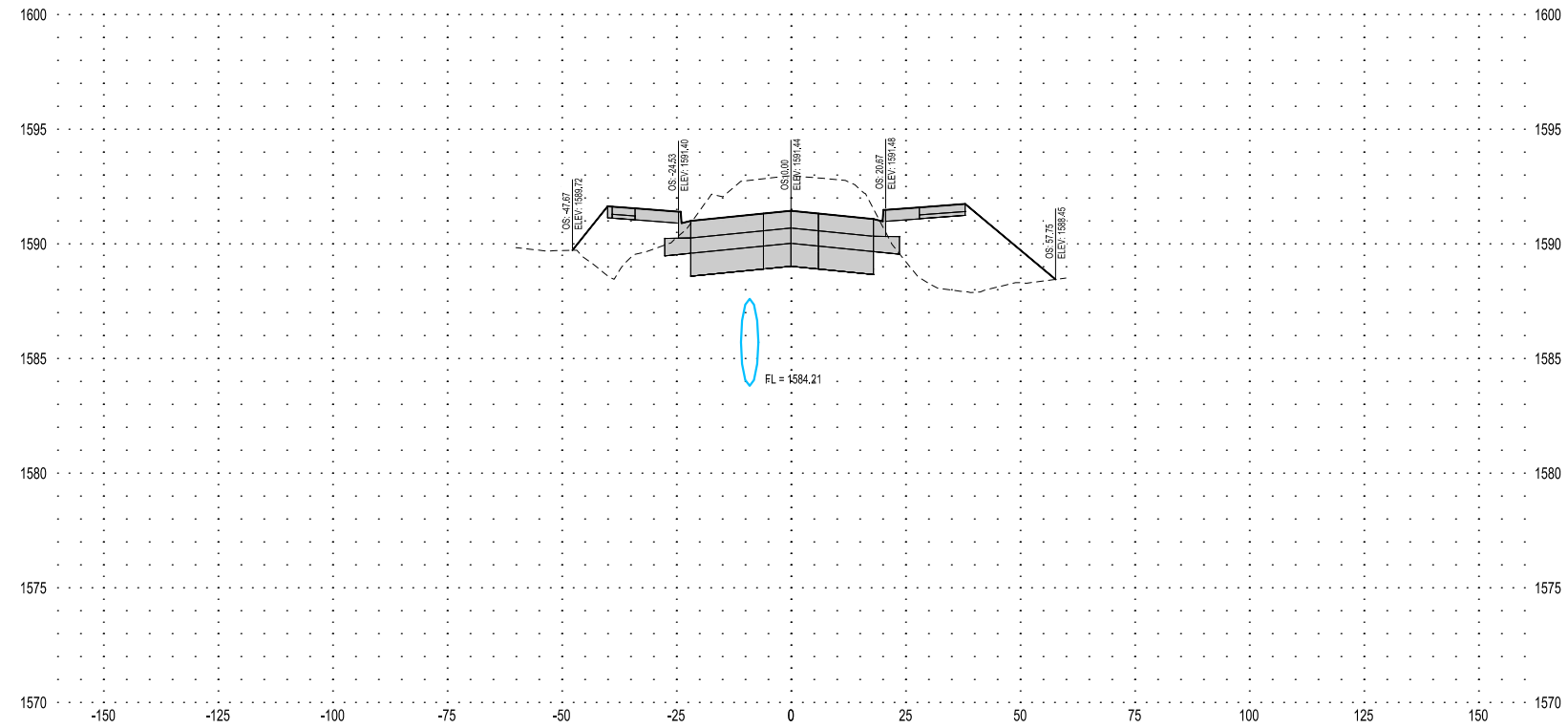
Plotting Date: 1/7/2025



32+50



32+00

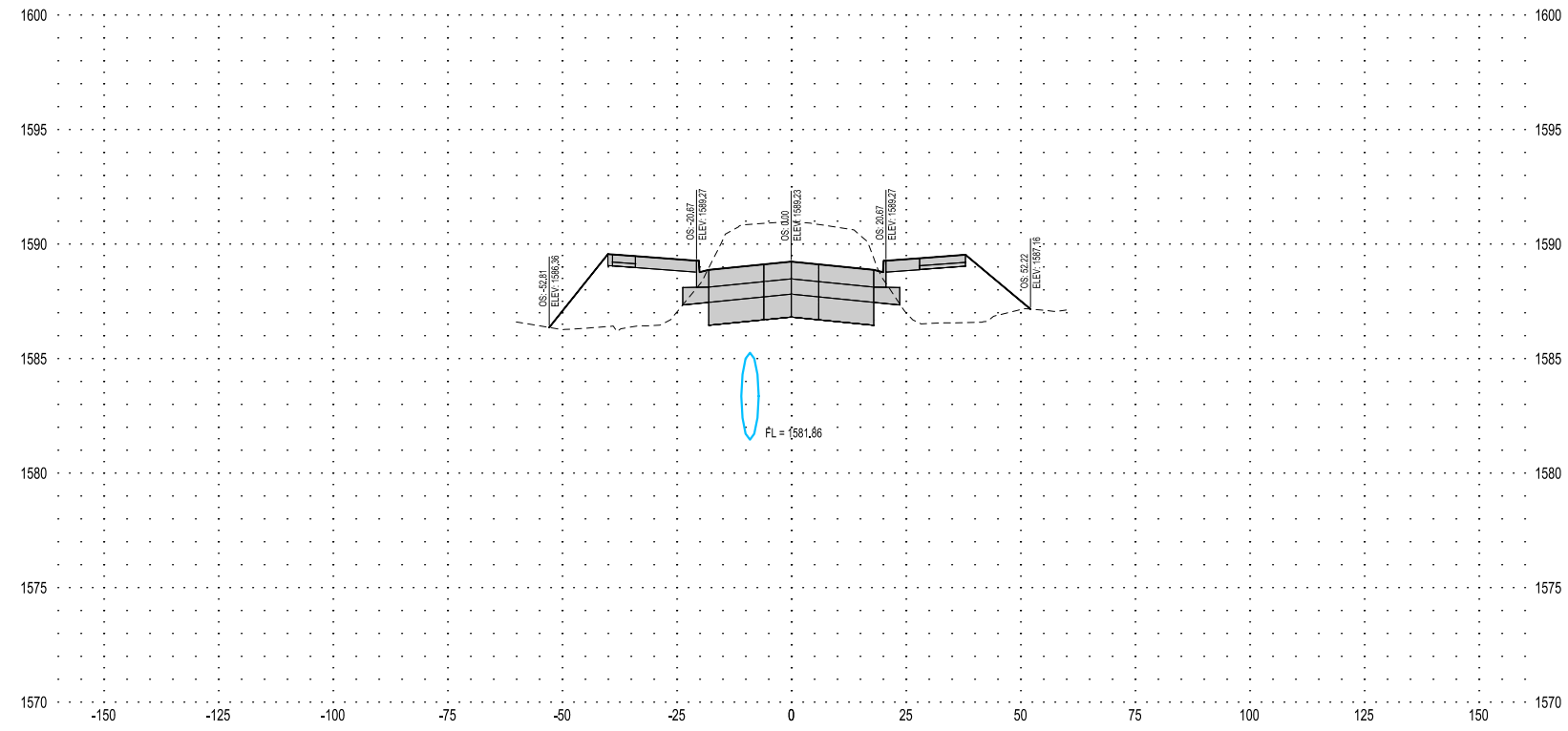


STATE OF SOUTH DAKOTA	PROJECT	SHEET	TOTAL SHEETS
	P 6353(00)	X6	X20

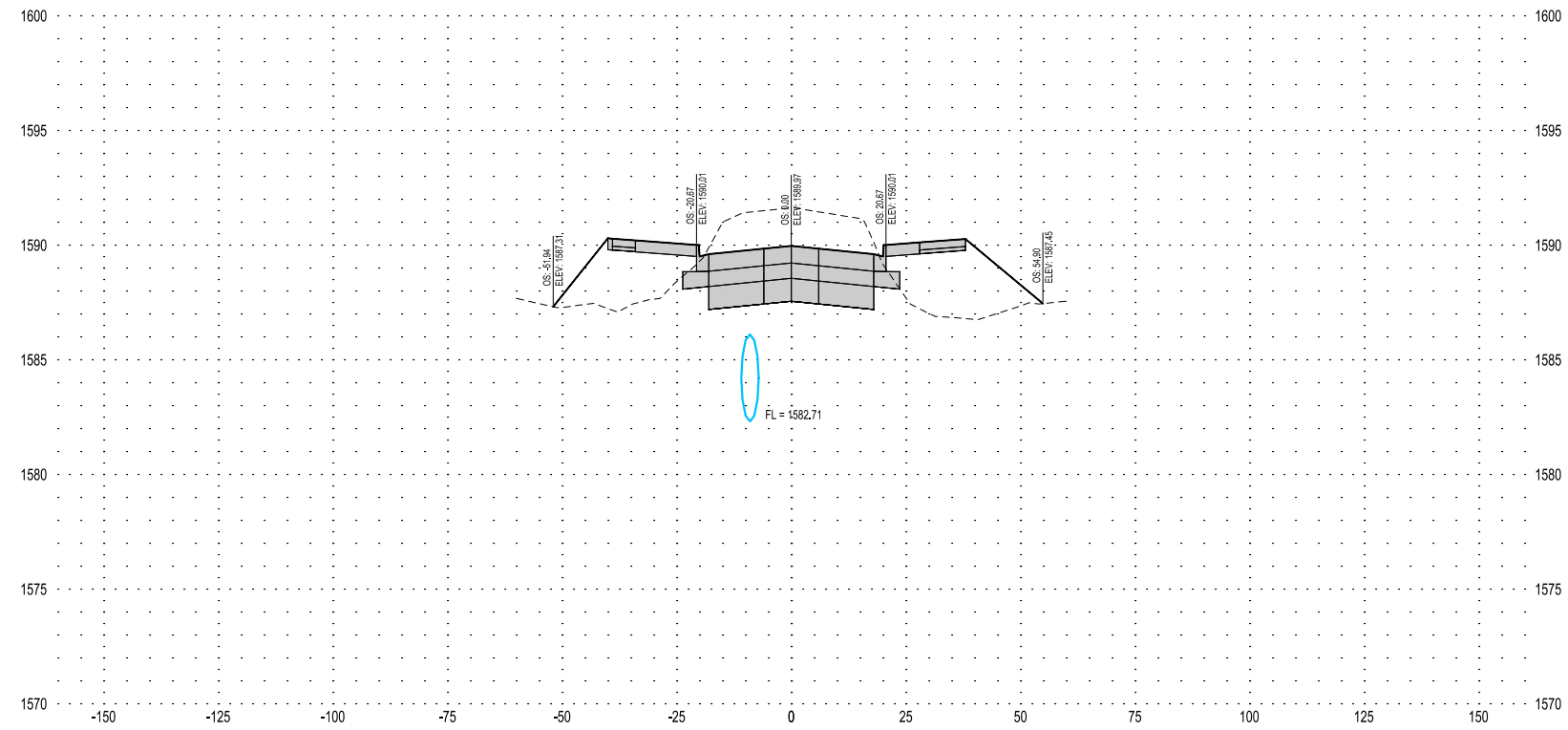
Plotting Date: 1/7/2025



33+50

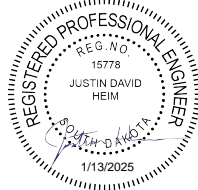


33+00

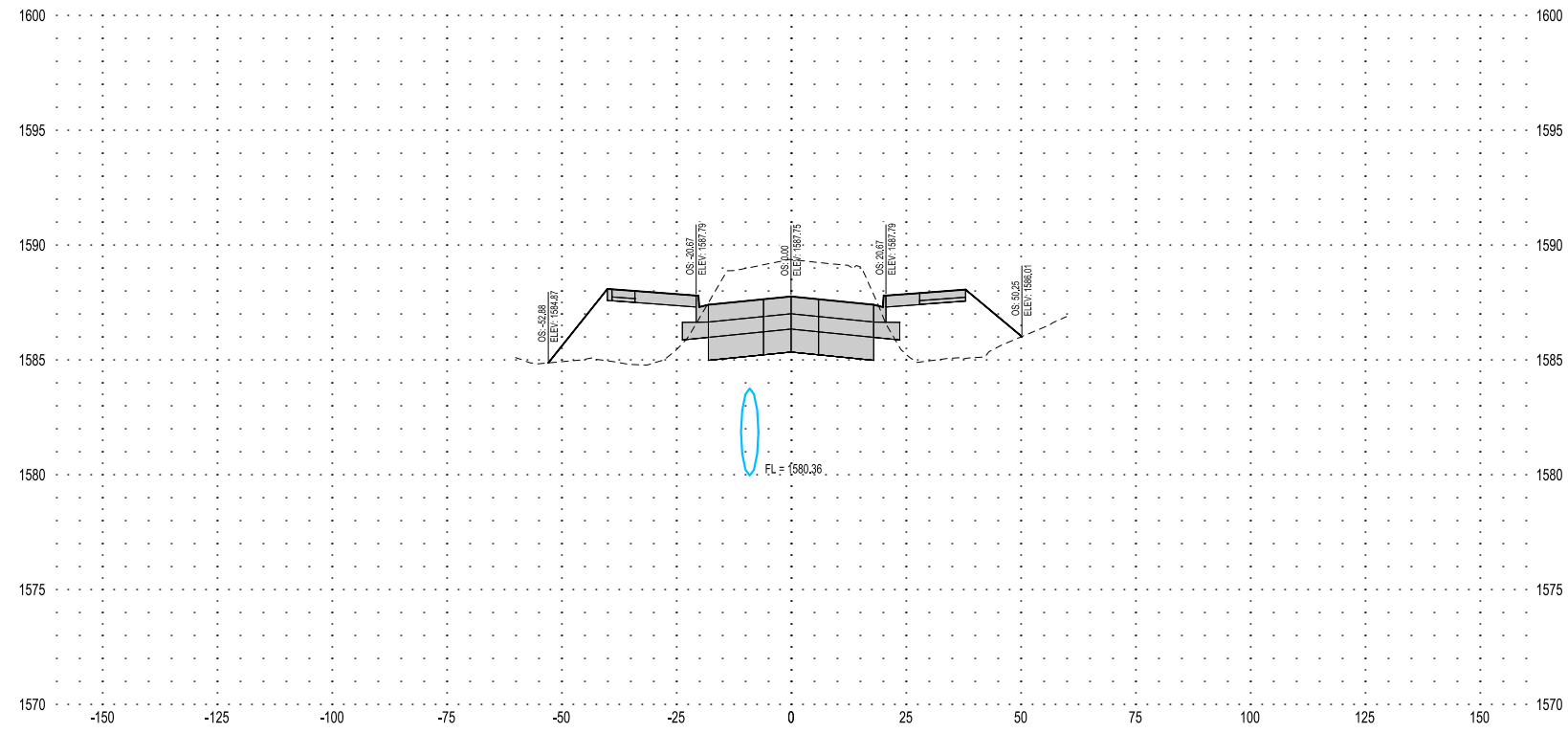


STATE OF SOUTH DAKOTA	PROJECT	SHEET	TOTAL SHEETS
	P 6353(00)	X7	X20

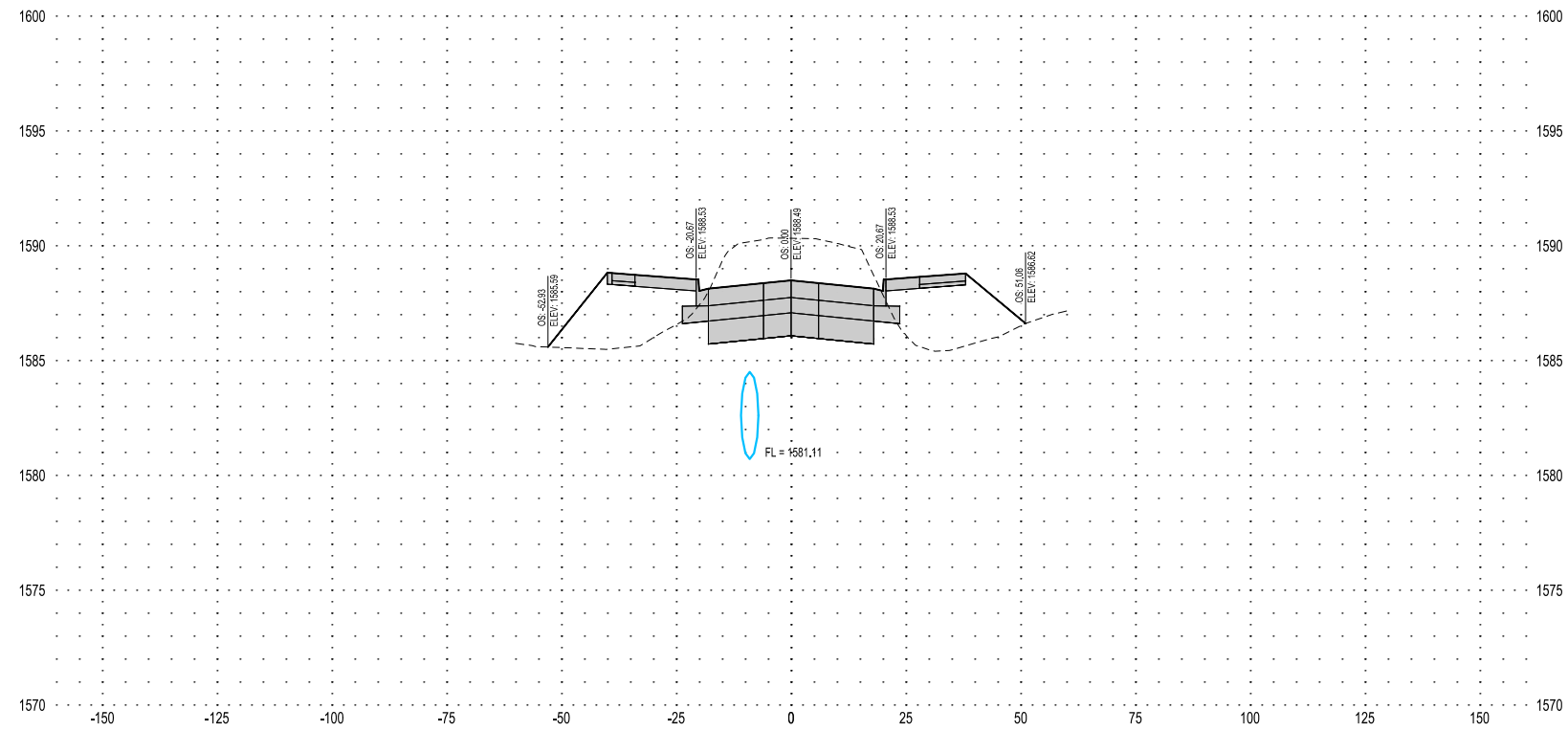
Plotting Date: 1/7/2025



34+50



34+00

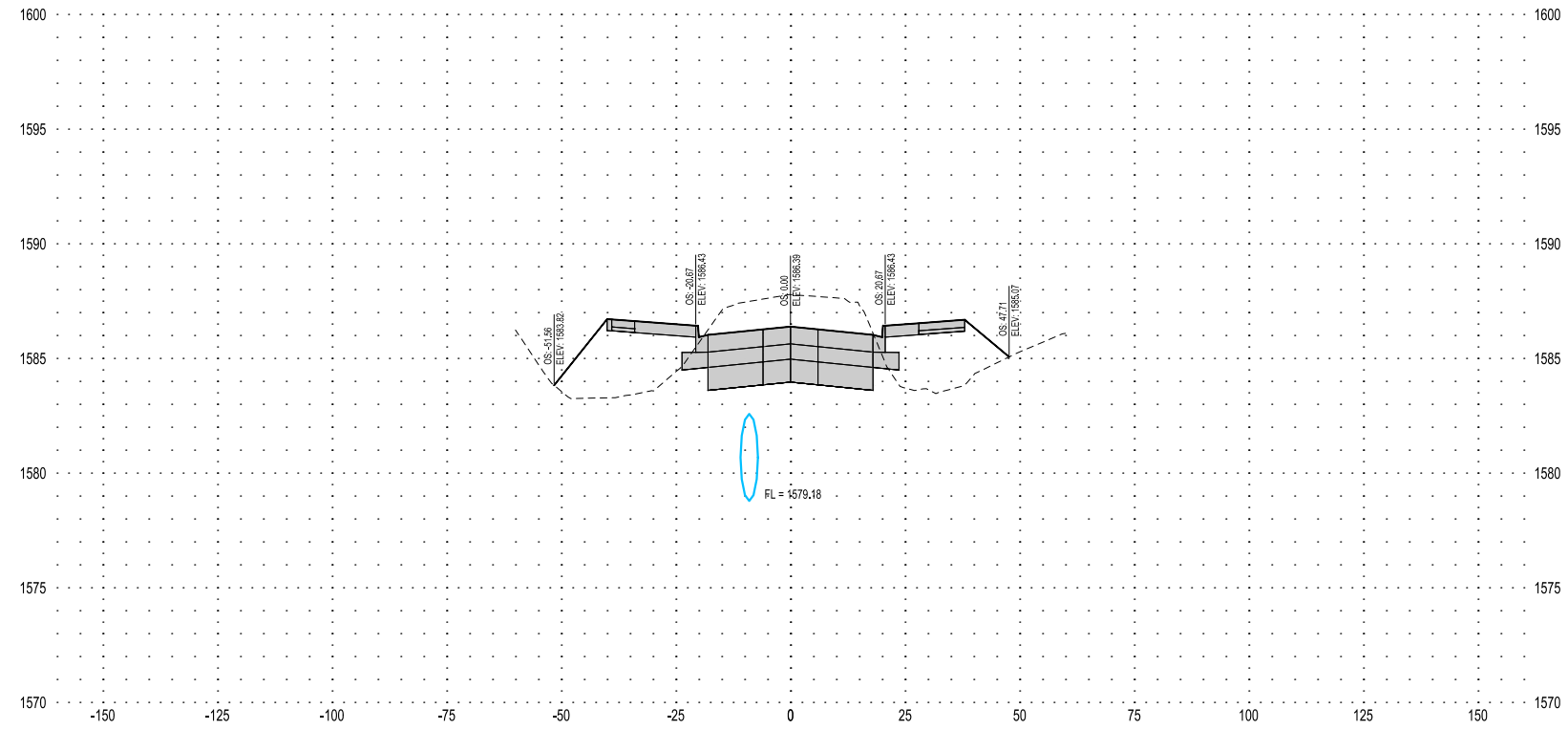


STATE OF SOUTH DAKOTA	PROJECT	SHEET	TOTAL SHEETS
	P 6353(00)	X8	X20

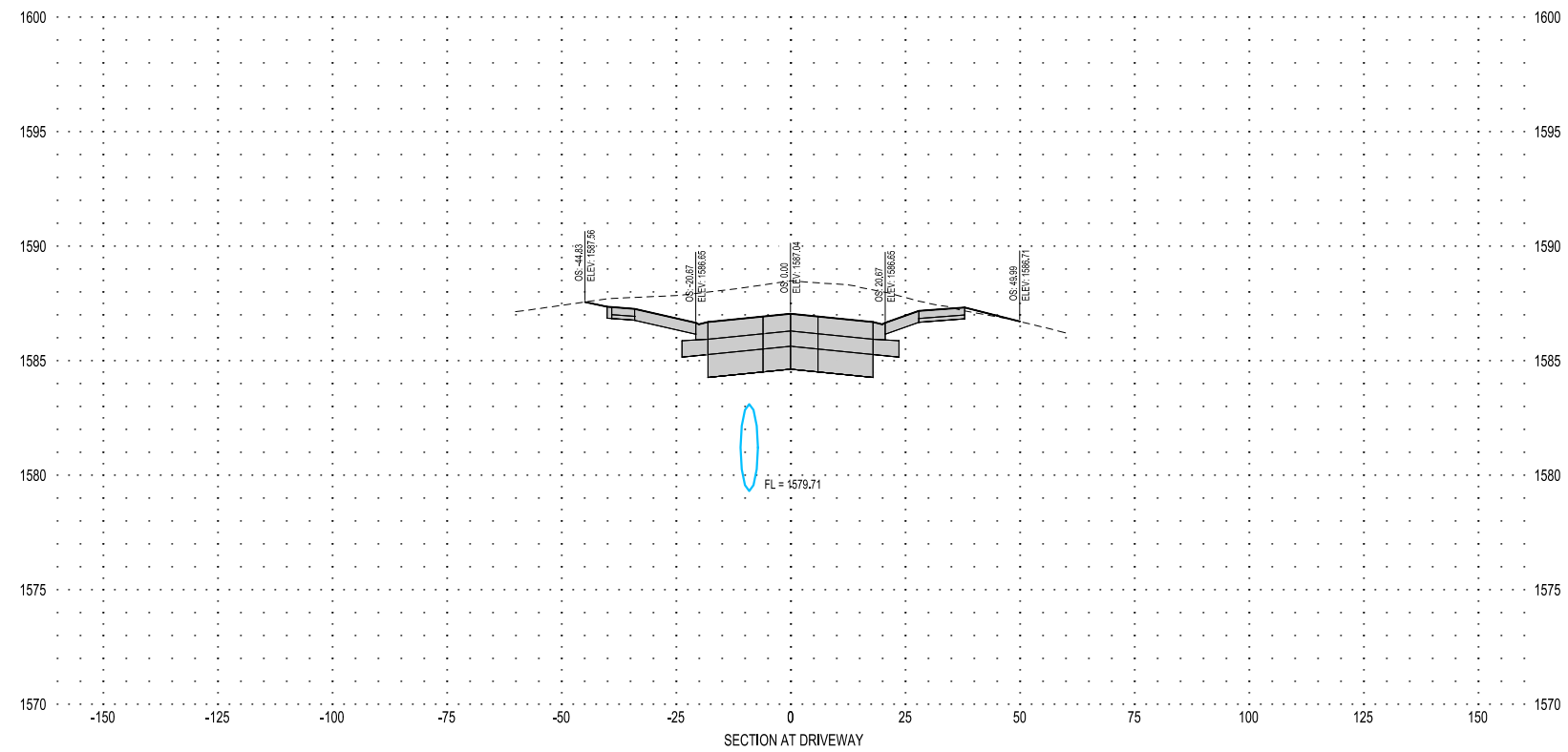
Plotting Date: 1/7/2025



35+50

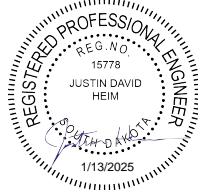


35+00

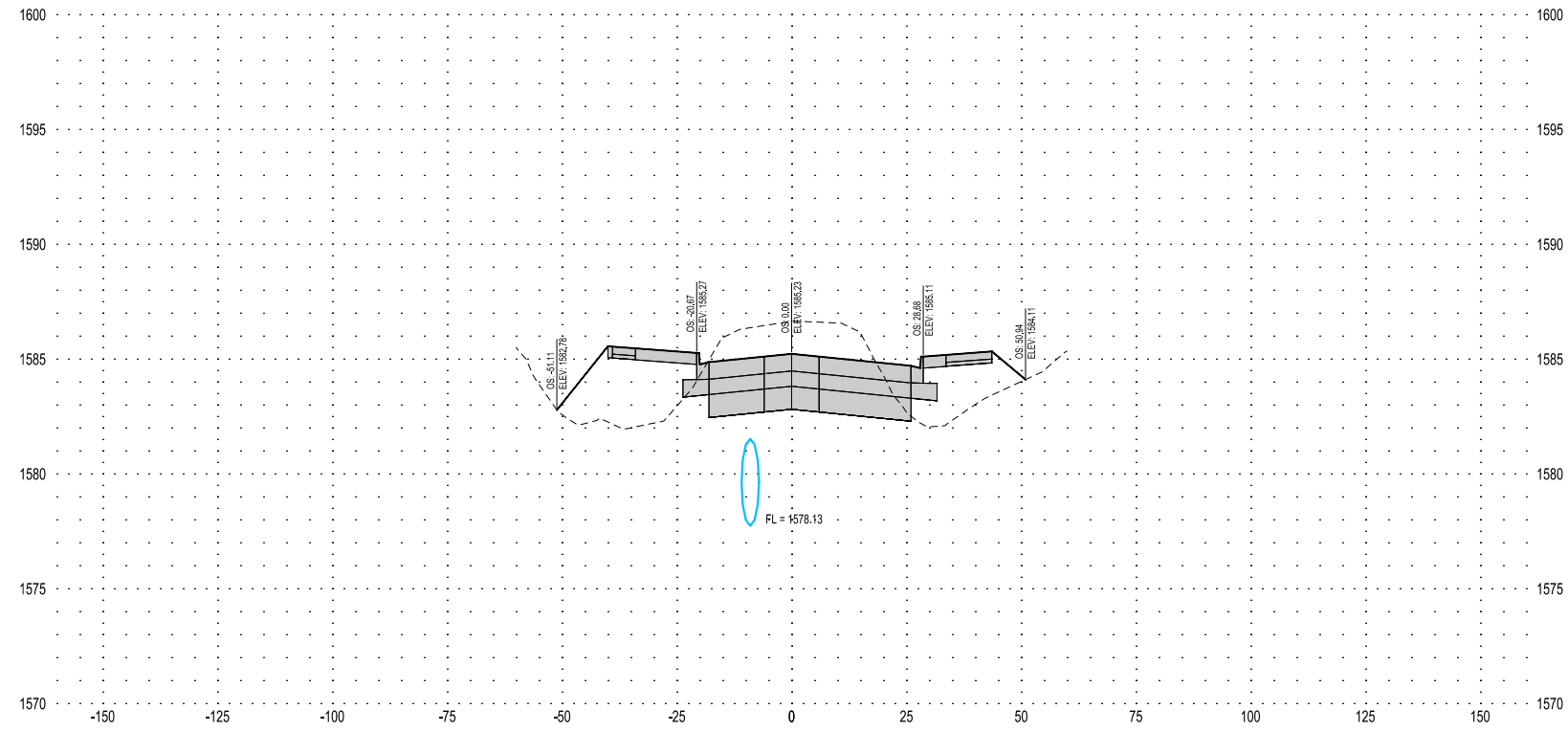


STATE OF SOUTH DAKOTA	PROJECT	SHEET	TOTAL SHEETS
	P 6353(00)	X9	X20

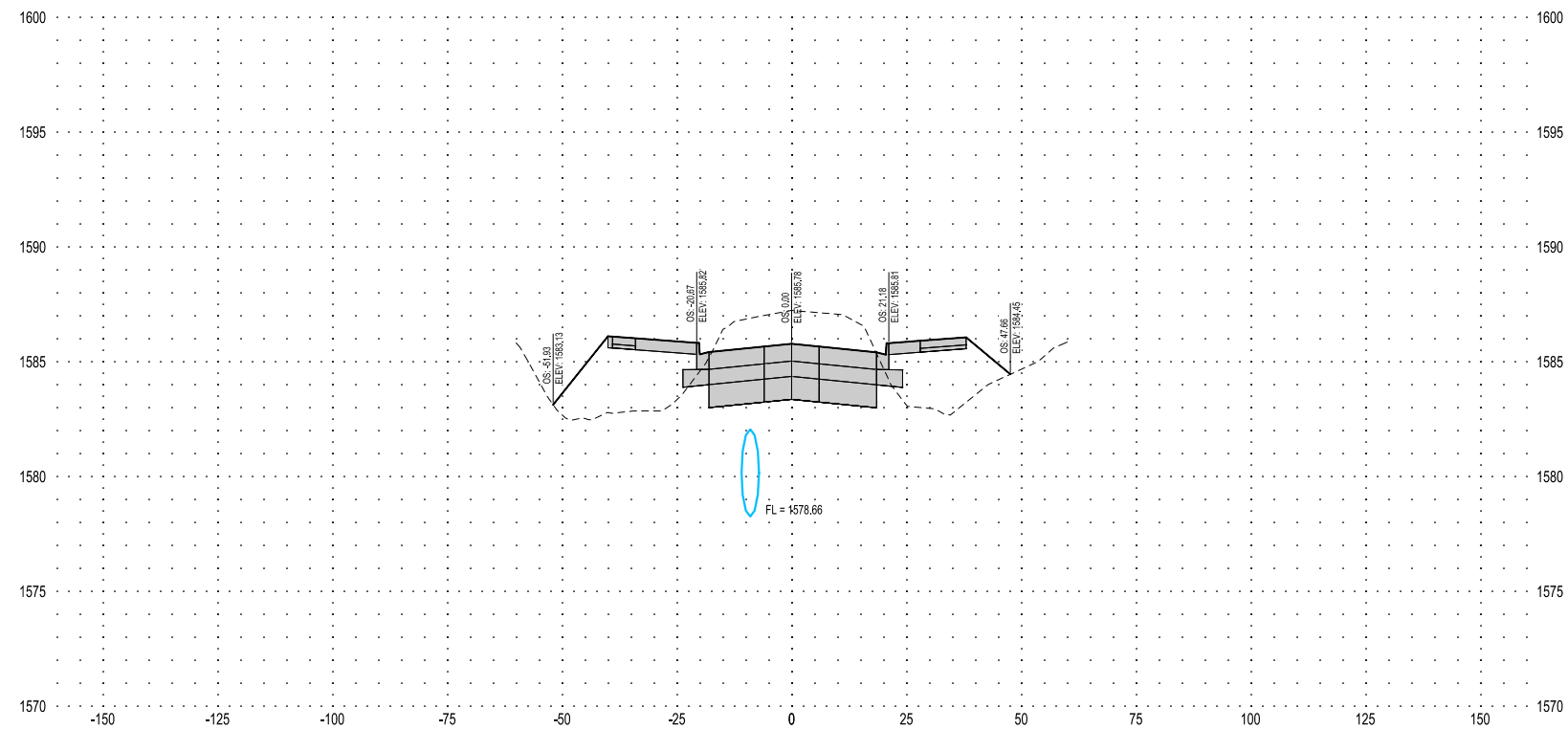
Plotting Date: 1/7/2025



36+50



36+00

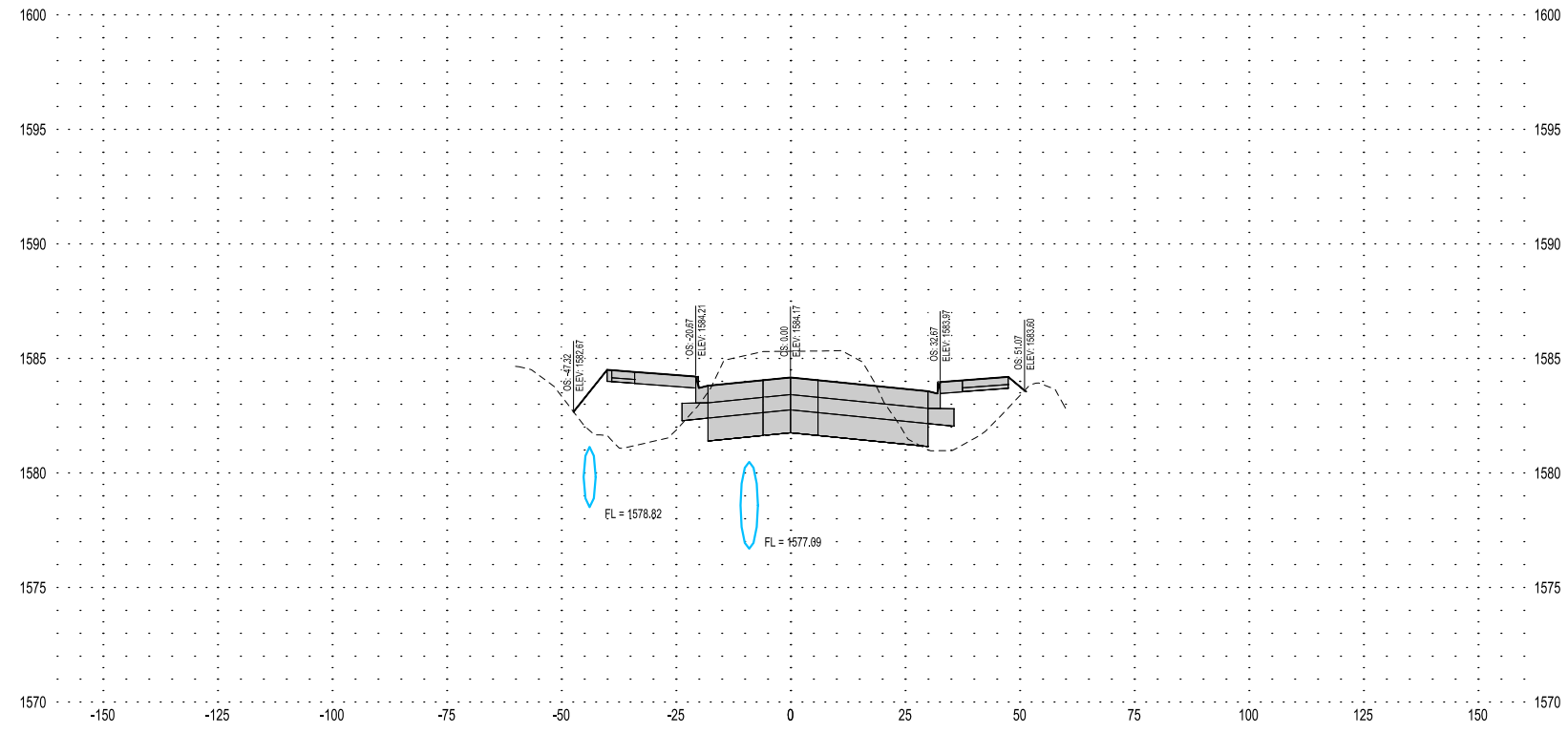


STATE OF SOUTH DAKOTA	PROJECT	SHEET	TOTAL SHEETS
	P 6353(00)	X10	X20

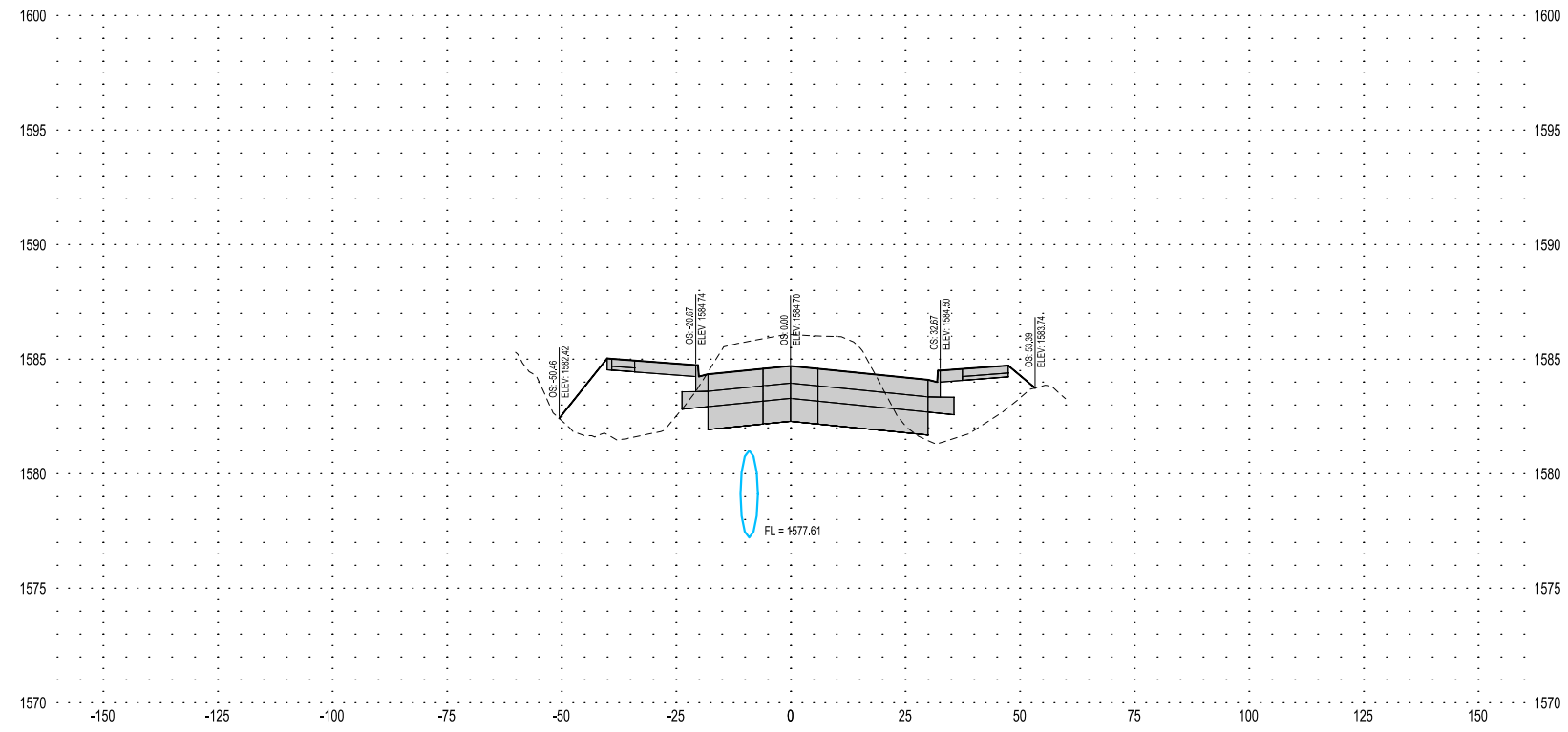
Plotting Date: 1/7/2025



37+50

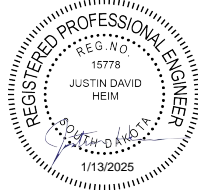


37+00

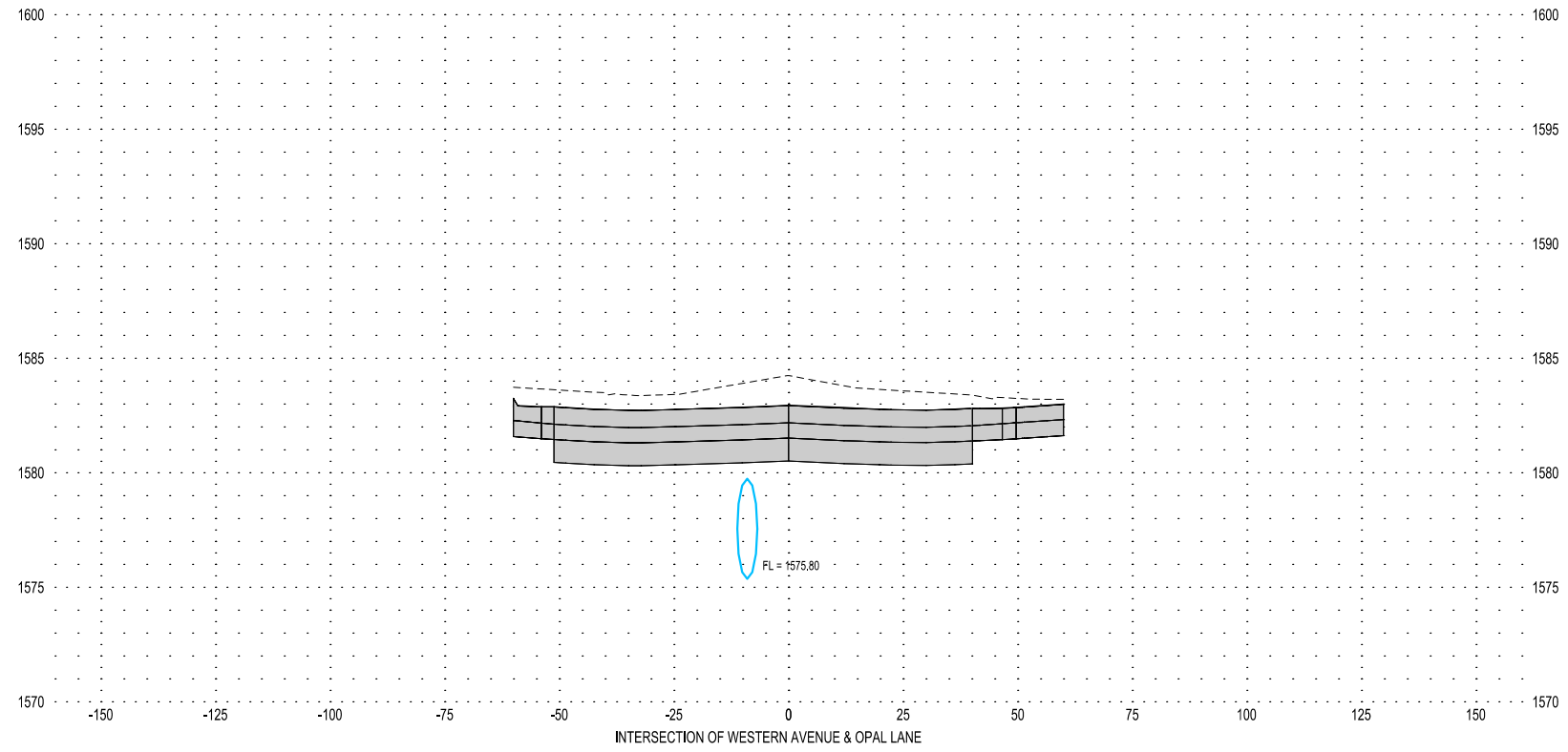


STATE OF SOUTH DAKOTA	PROJECT	SHEET	TOTAL SHEETS
	P 6353(00)	X11	X20

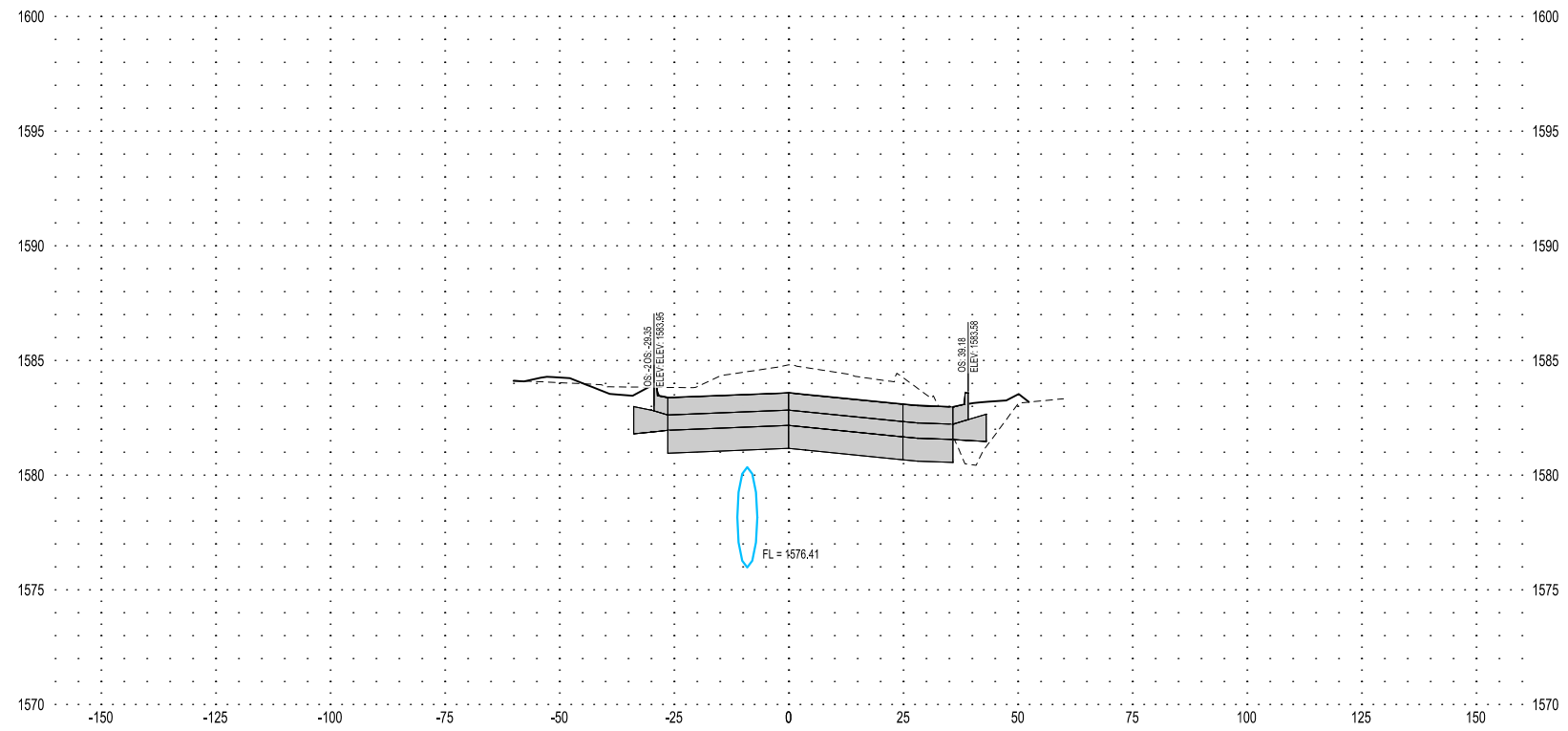
Plotting Date: 1/7/2025



38+50

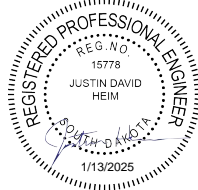


38+00

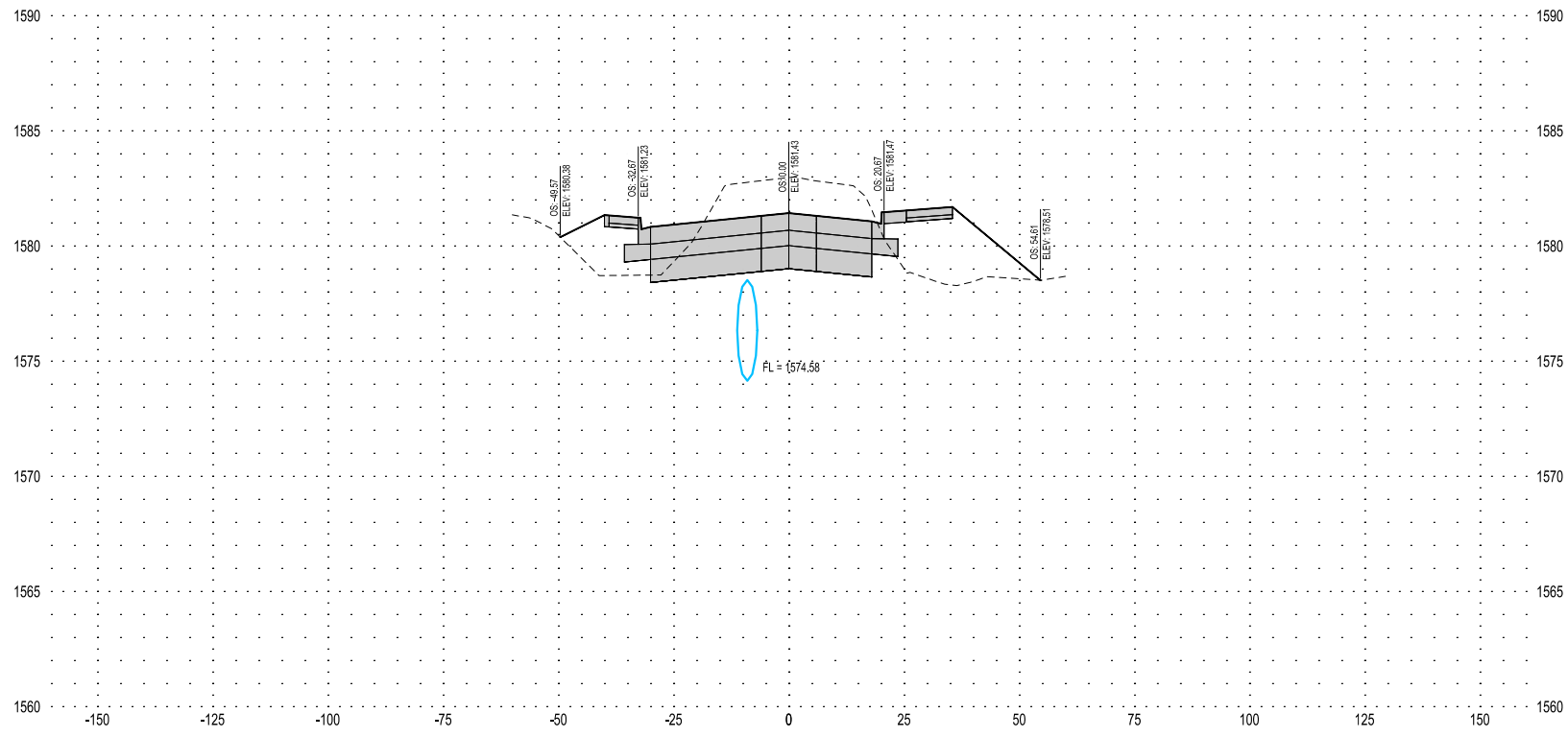


STATE OF SOUTH DAKOTA	PROJECT	SHEET	TOTAL SHEETS
	P 6353(00)	X12	X20

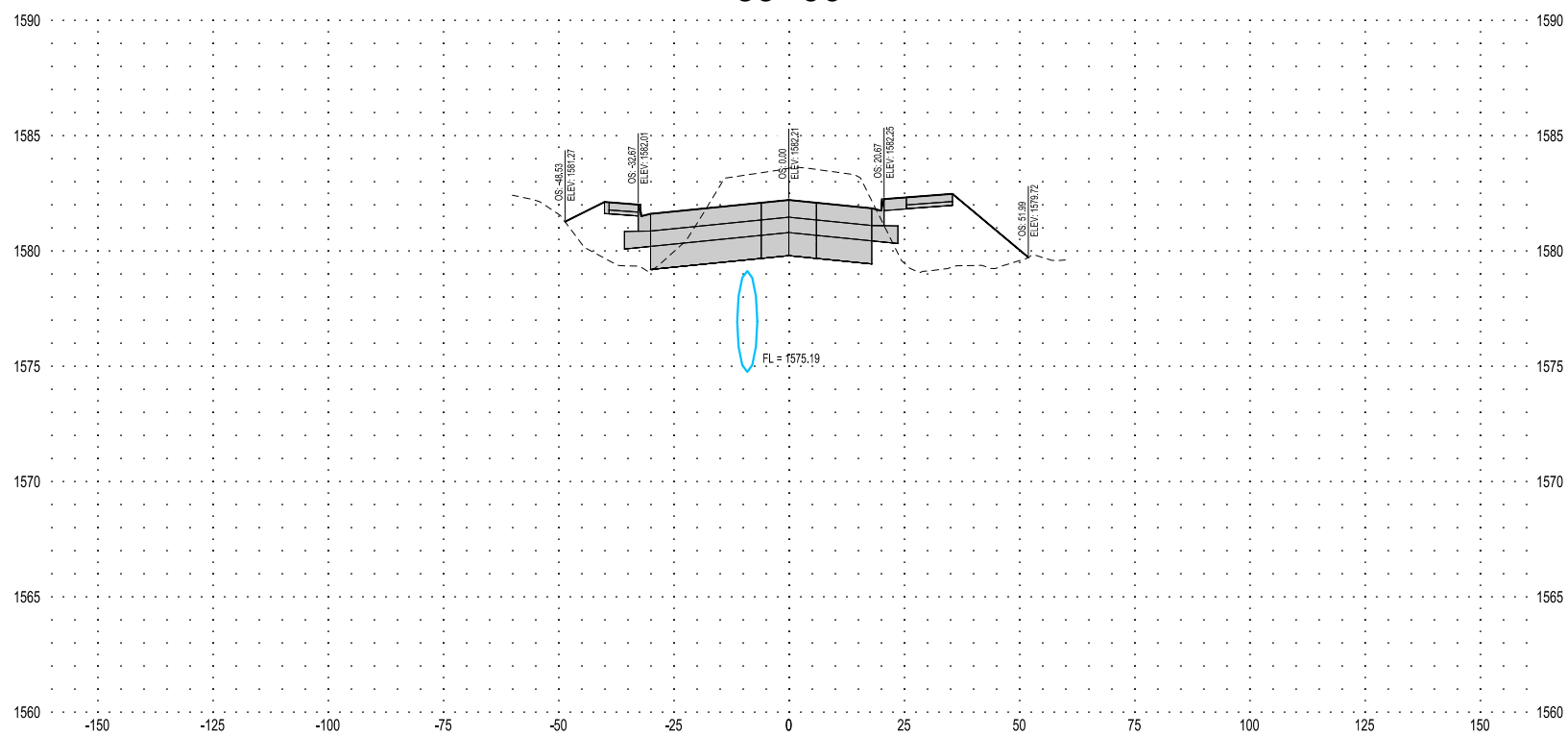
Plotting Date: 1/7/2025



39+50



39+00

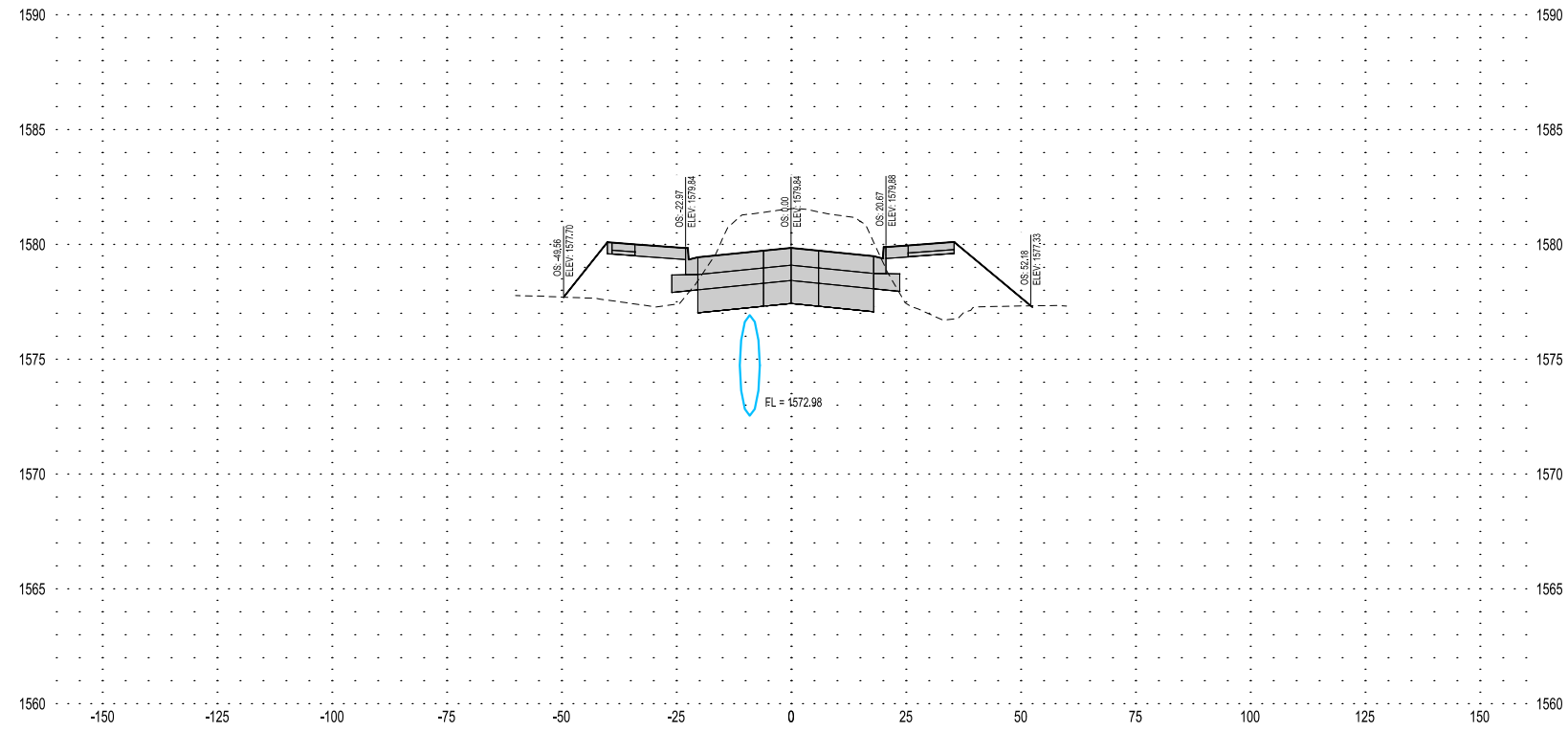


STATE OF SOUTH DAKOTA	PROJECT	SHEET	TOTAL SHEETS
	P 6353(00)	X13	X20

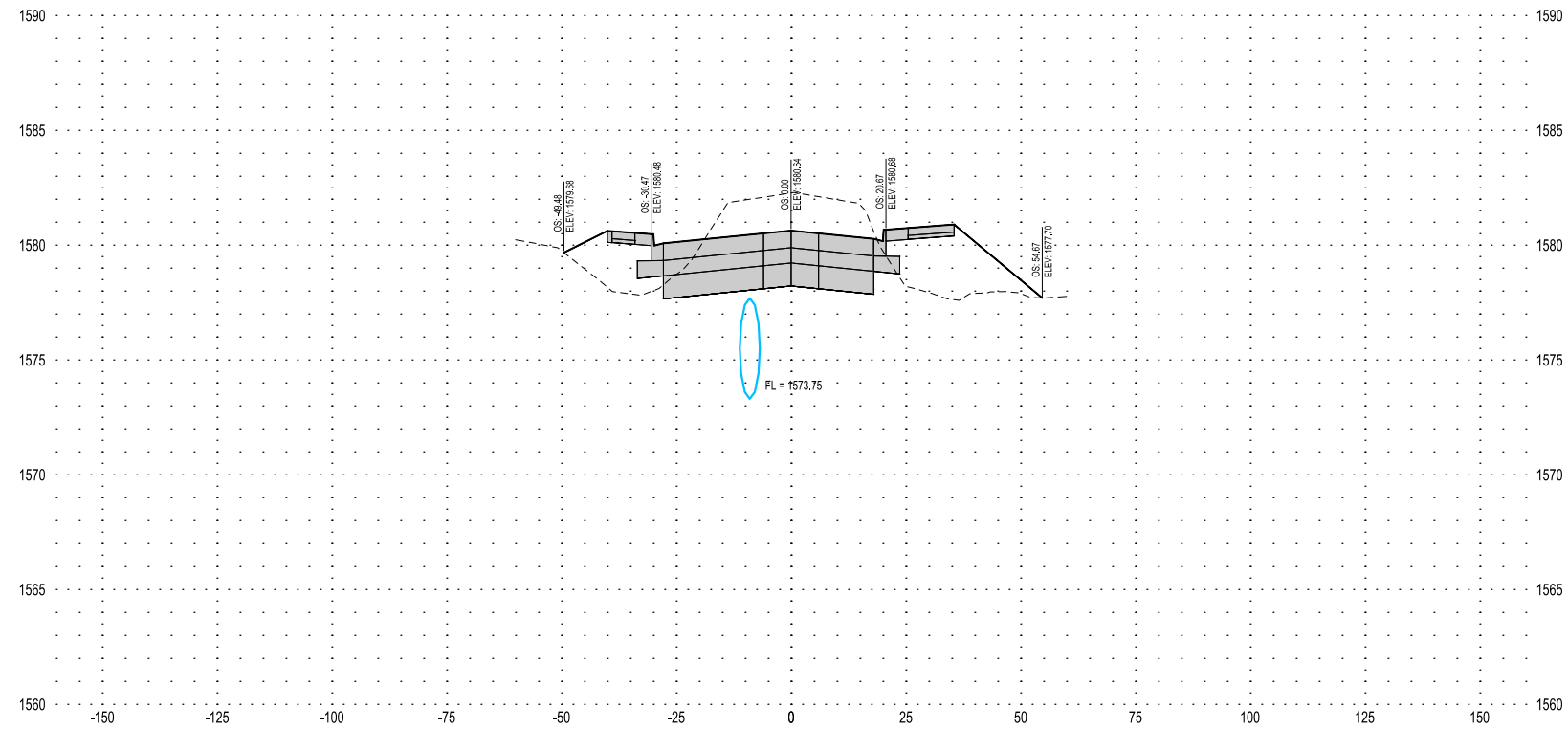
Plotting Date: 1/7/2025



40+50



40+00

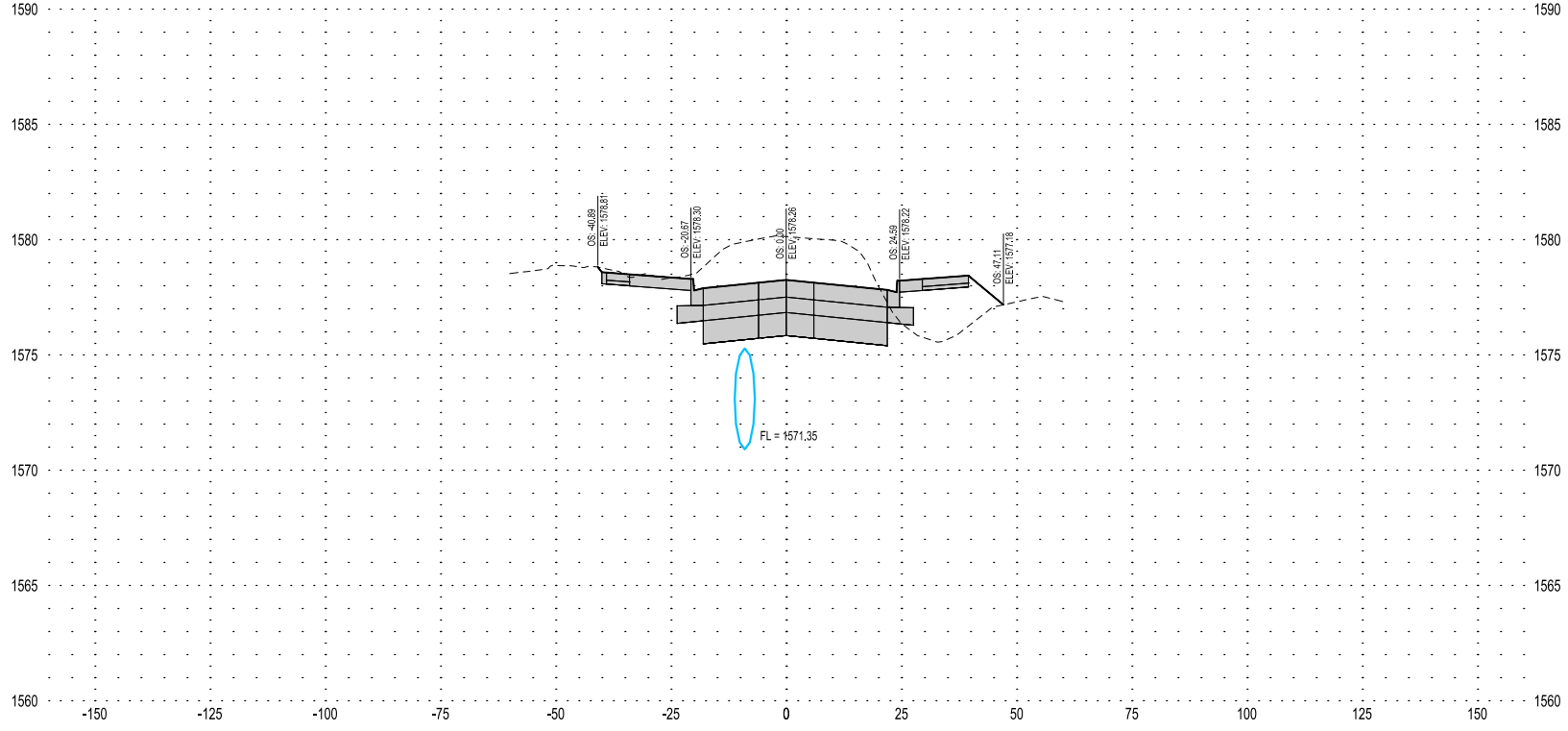


STATE OF SOUTH DAKOTA	PROJECT	SHEET	TOTAL SHEETS
	P 6353(00)	X14	X20

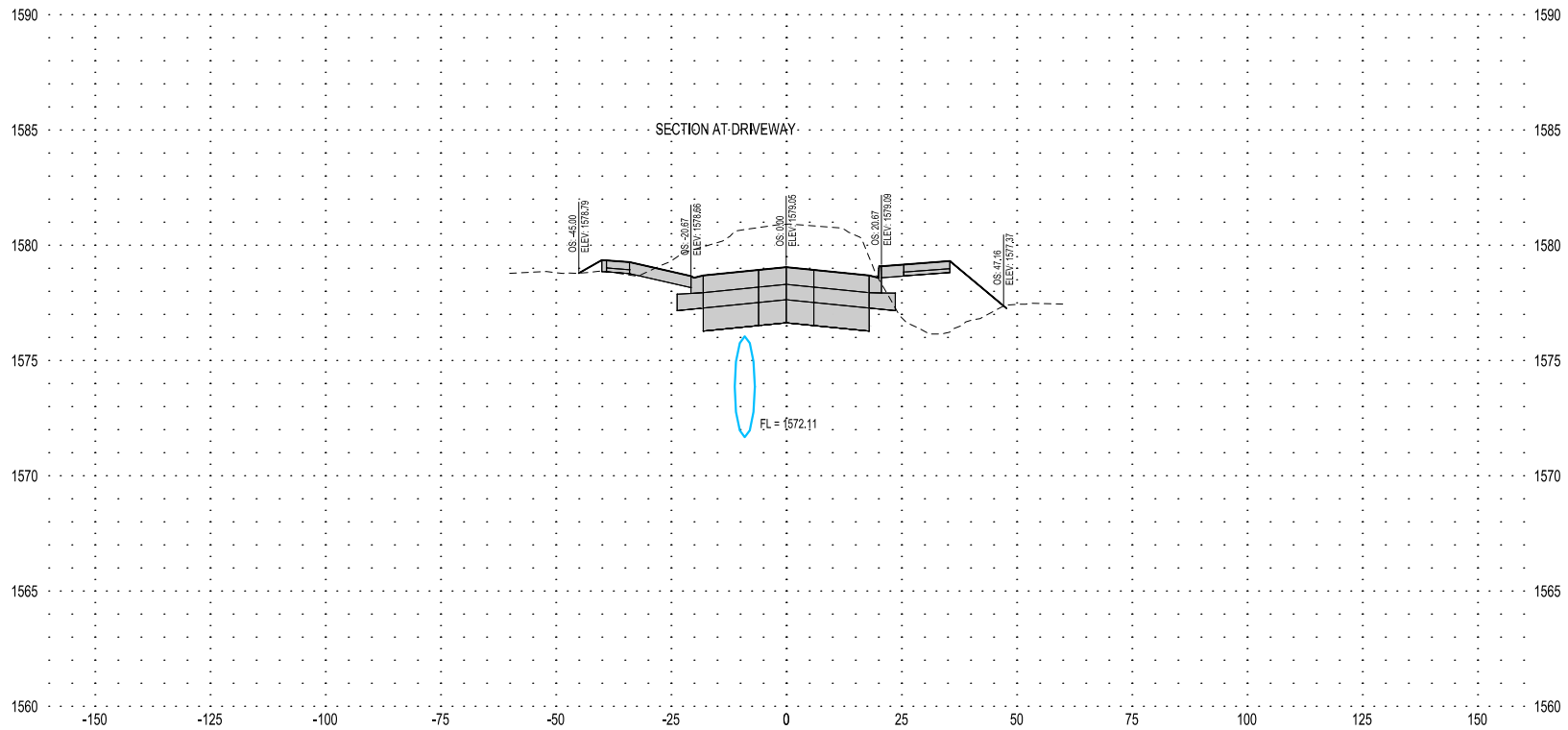
Plotting Date: 1/7/2025



41+50

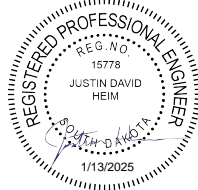


41+00

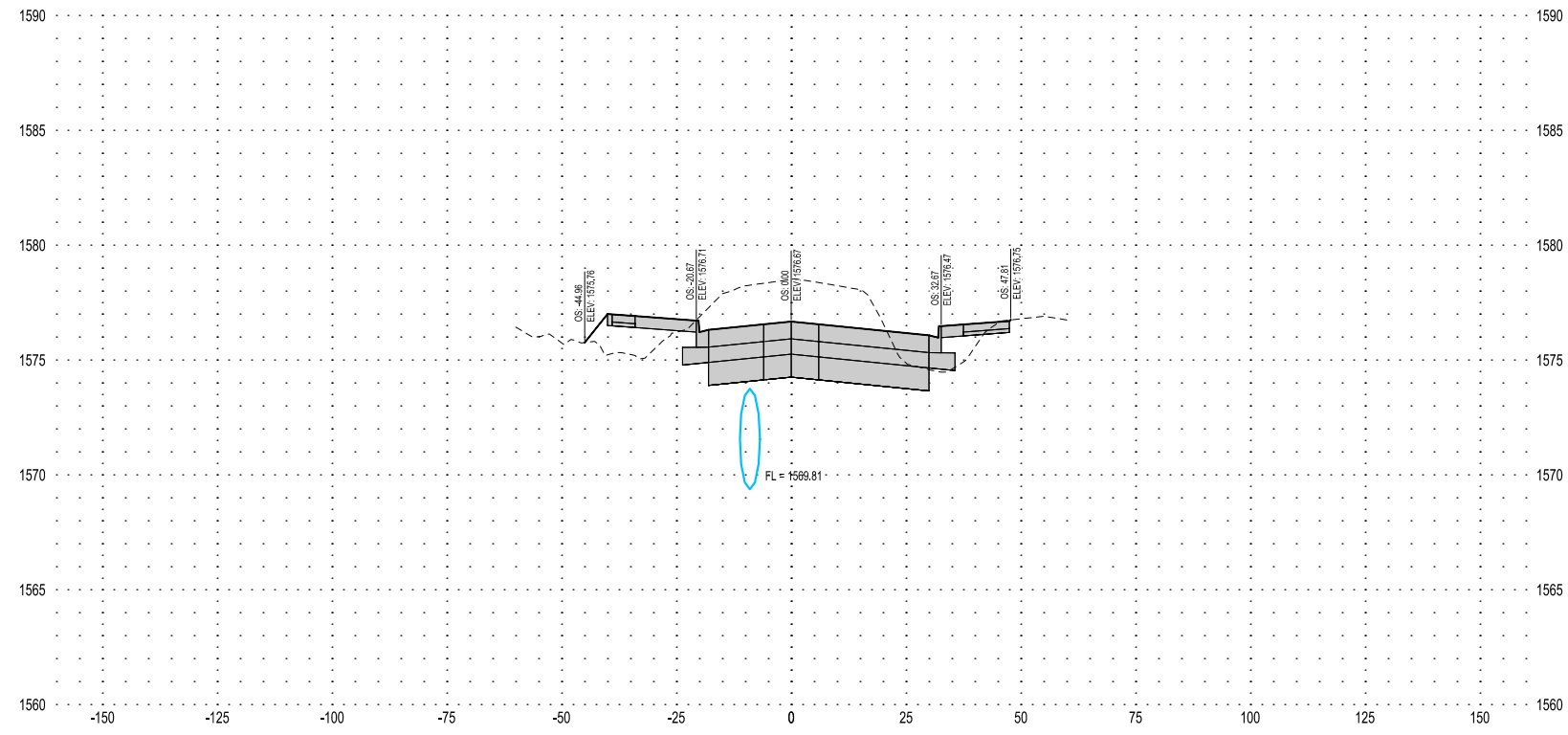


STATE OF SOUTH DAKOTA	PROJECT	SHEET	TOTAL SHEETS
	P 6353(00)	X15	X20

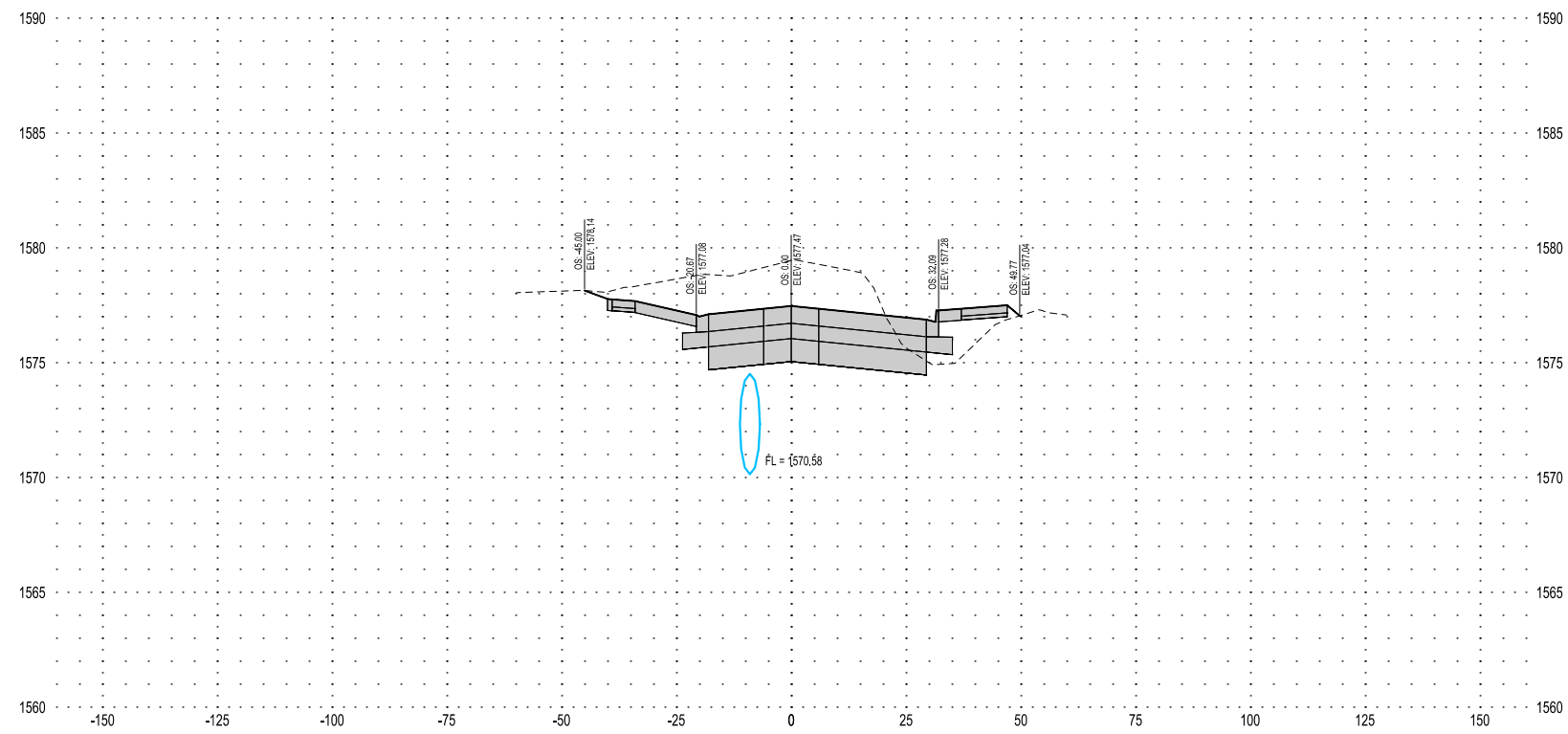
Plotting Date: 1/7/2025



42+50



42+00

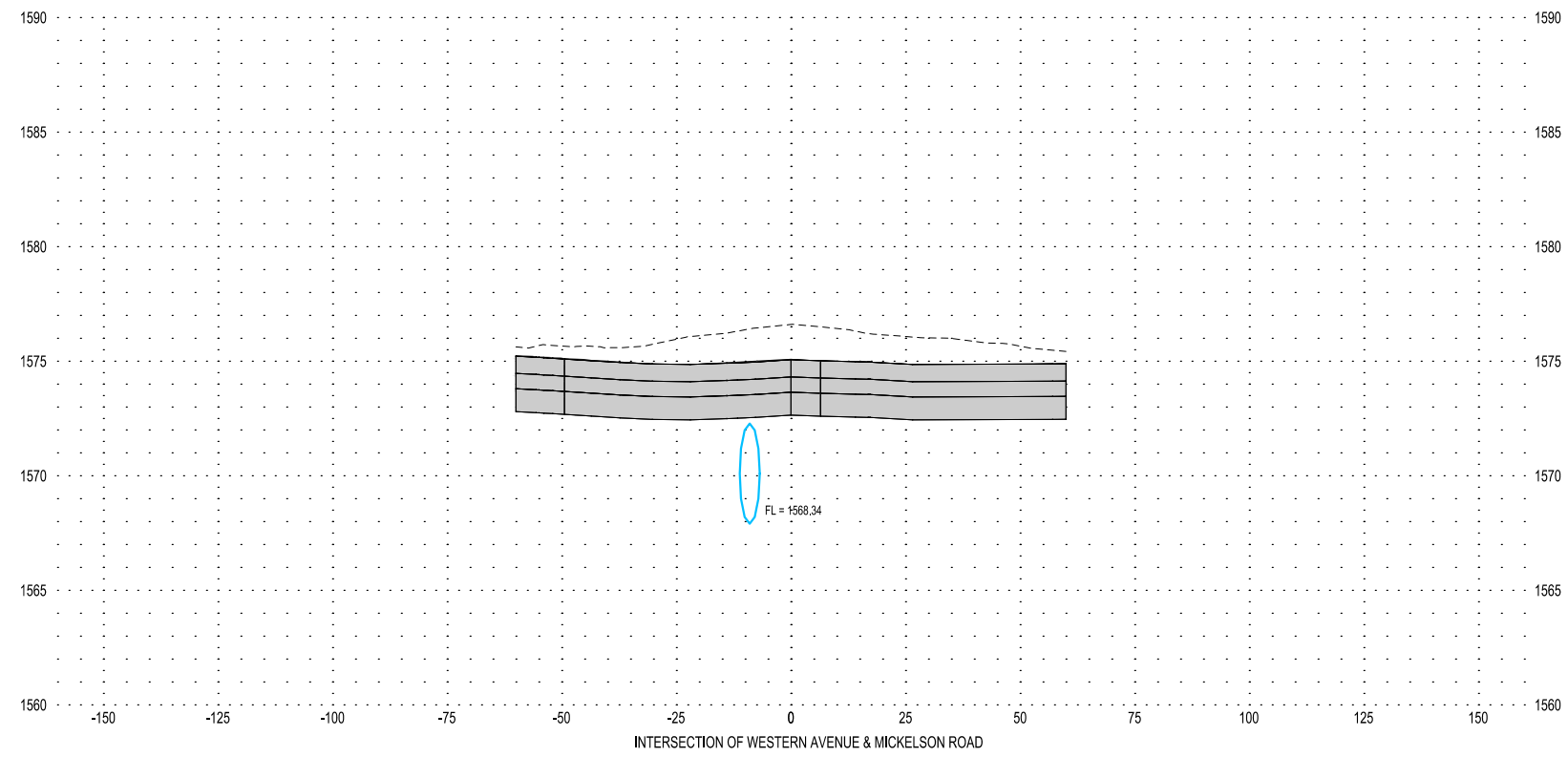


STATE OF SOUTH DAKOTA	PROJECT	SHEET	TOTAL SHEETS
	P 6353(00)	X16	X20

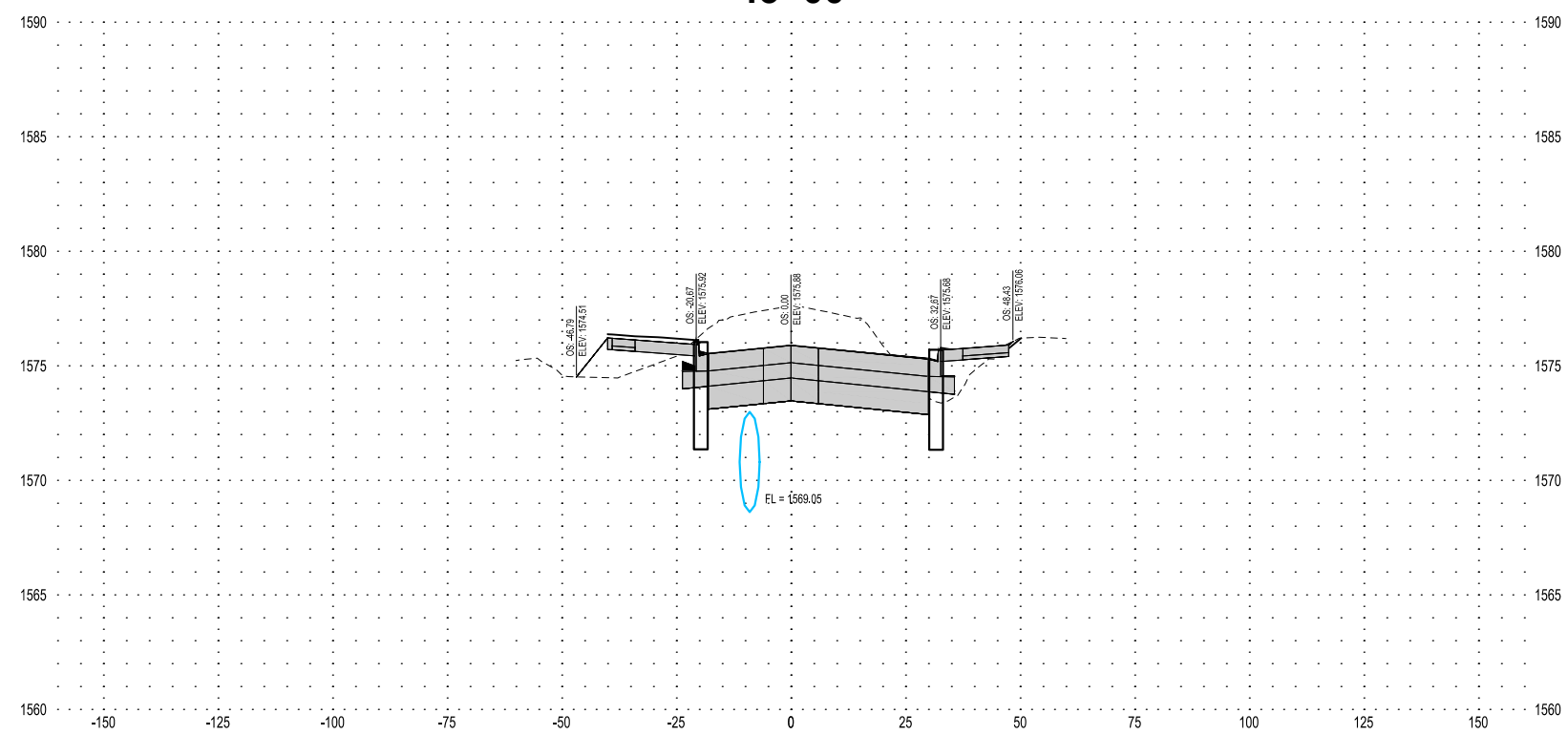
Plotting Date: 1/7/2025



43+50

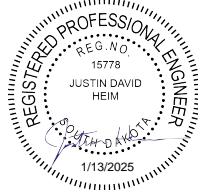


43+00

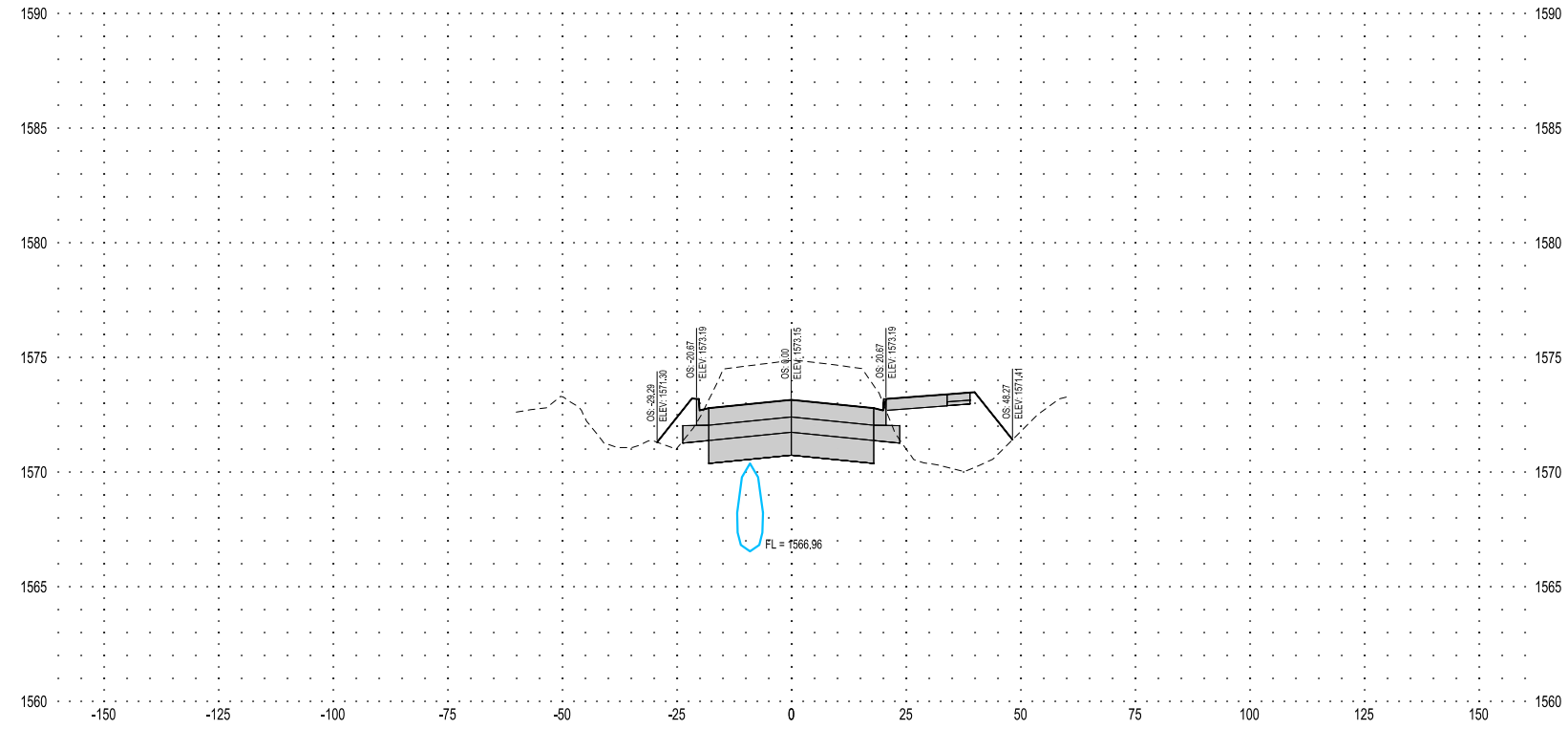


STATE OF SOUTH DAKOTA	PROJECT	SHEET	TOTAL SHEETS
	P 6353(00)	X17	X20

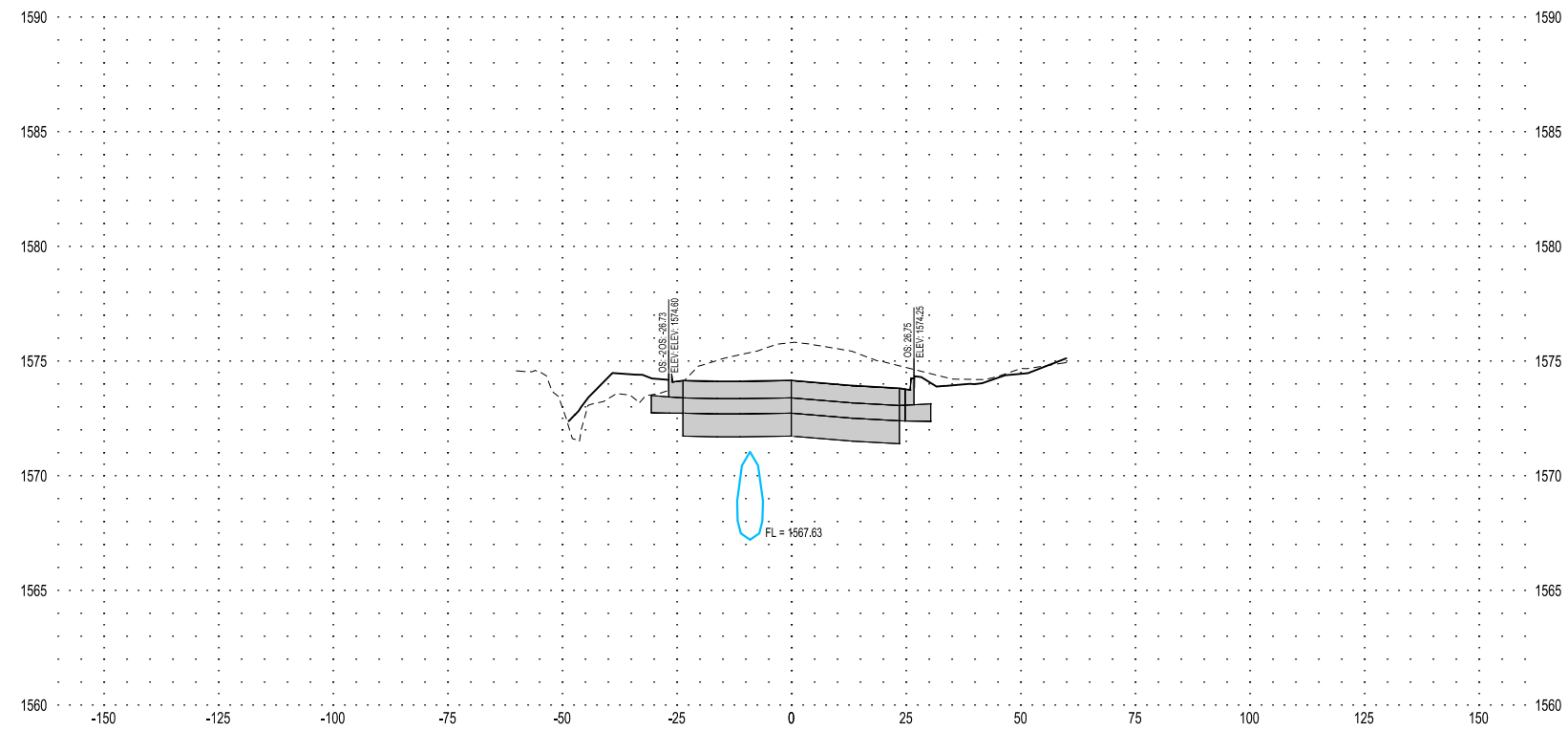
Plotting Date: 1/7/2025



44+50



44+00

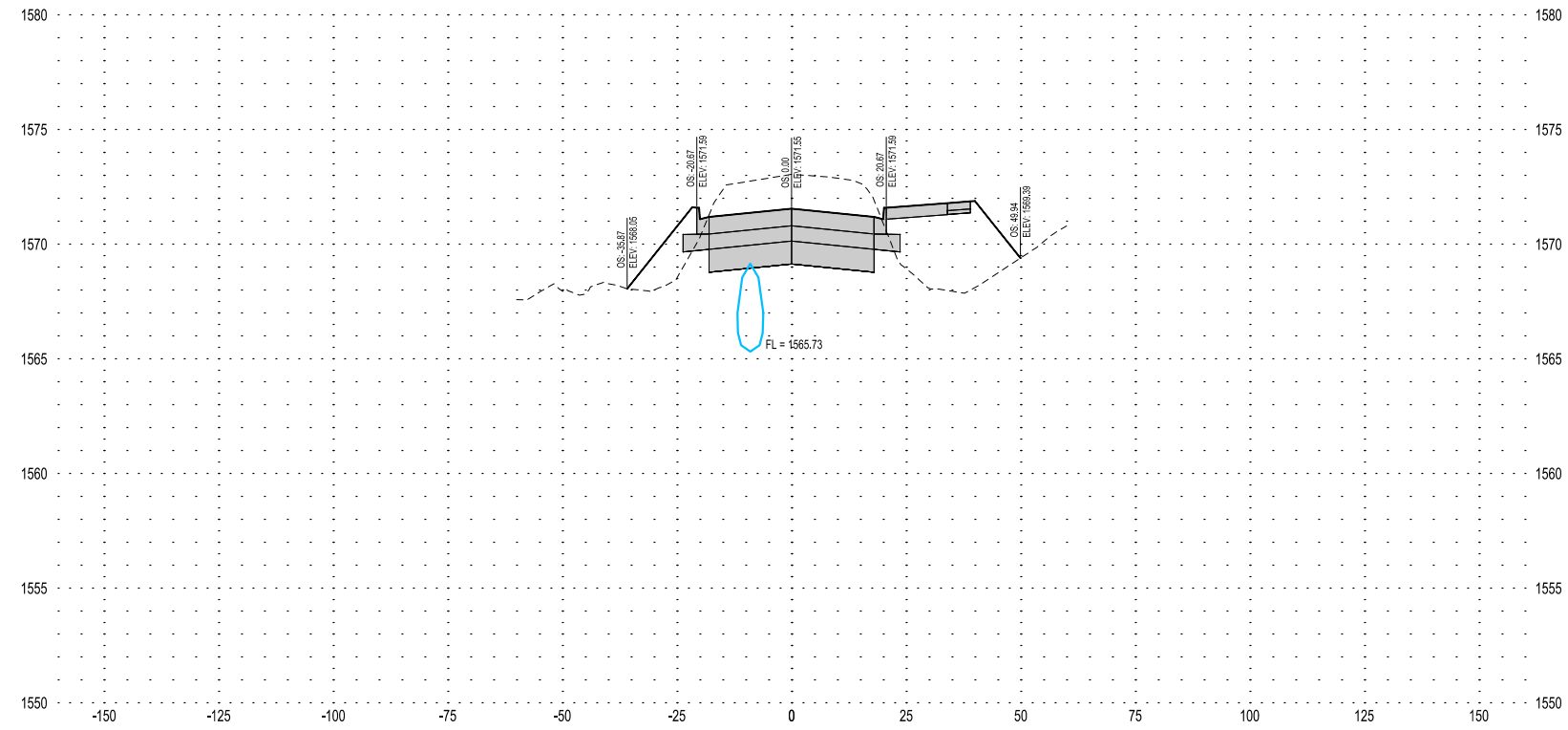


STATE OF SOUTH DAKOTA	PROJECT	SHEET	TOTAL SHEETS
	P 6353(00)	X18	X20

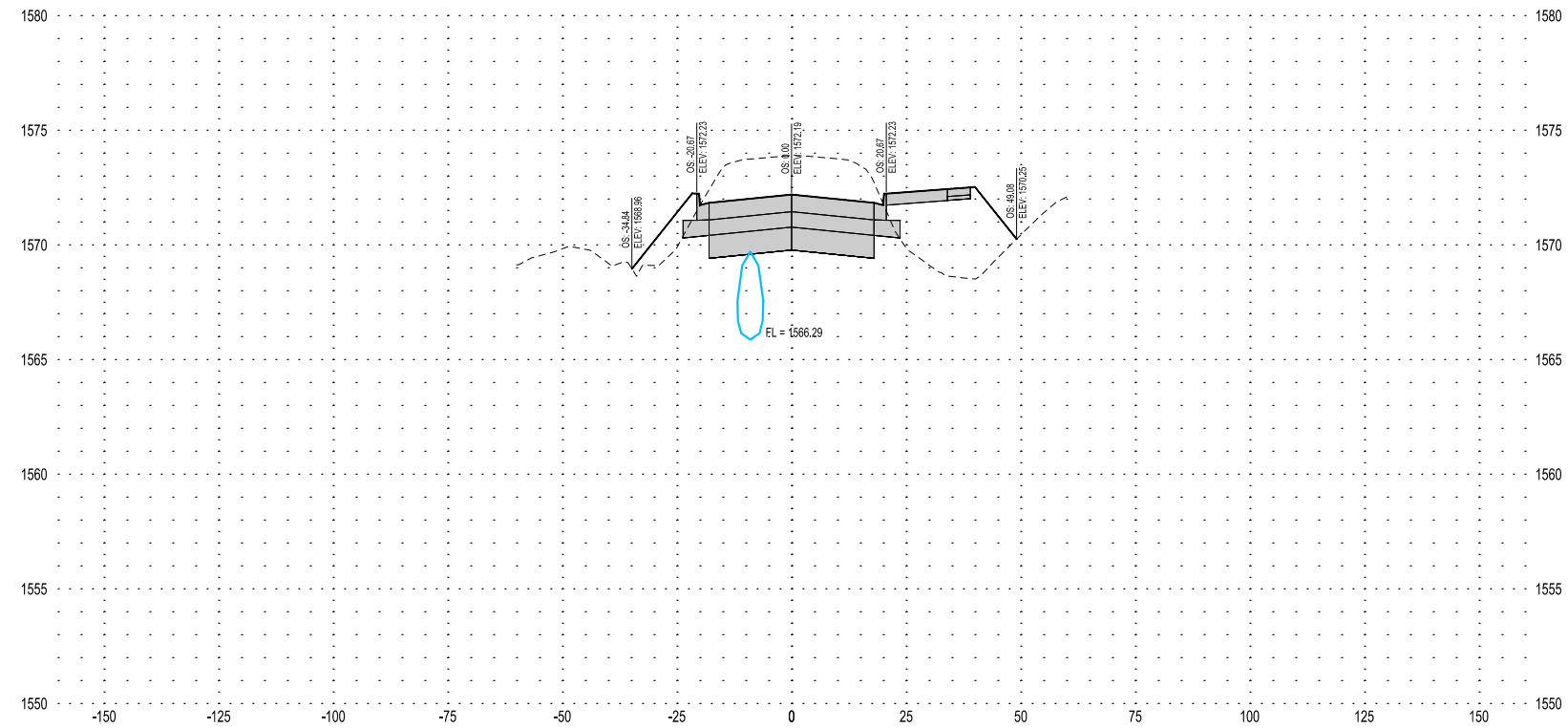
Plotting Date: 1/7/2025



45+50

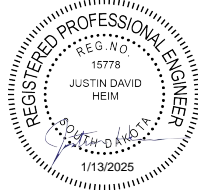


45+00

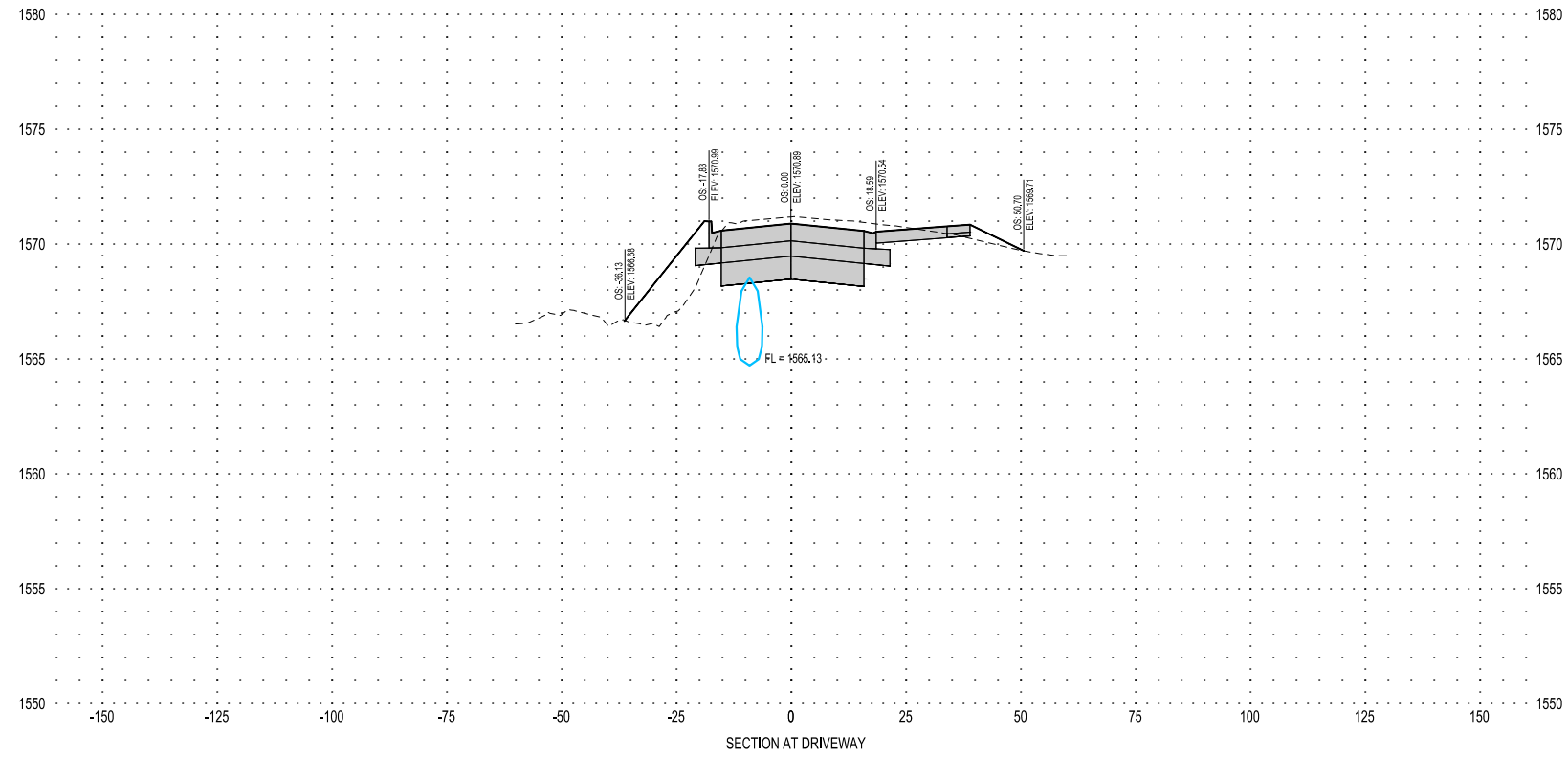


STATE OF SOUTH DAKOTA	PROJECT	SHEET	TOTAL SHEETS
	P 6353(00)	X19	X20

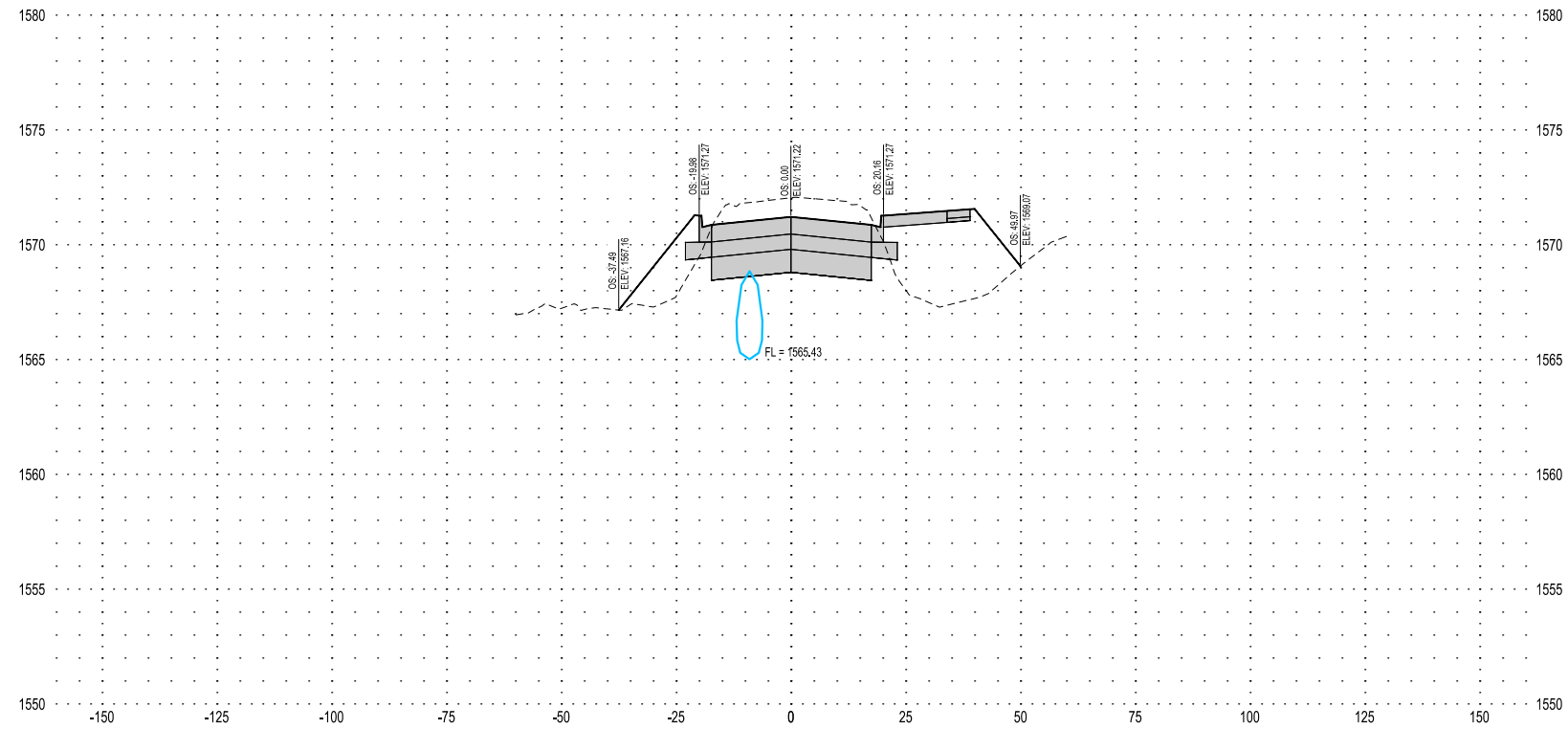
Plotting Date: 1/7/2025



46+50

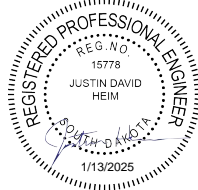


46+00



STATE OF SOUTH DAKOTA	PROJECT	SHEET	TOTAL SHEETS
	P 6353(00)	X20	X20

Plotting Date: 1/7/2025



47+00

