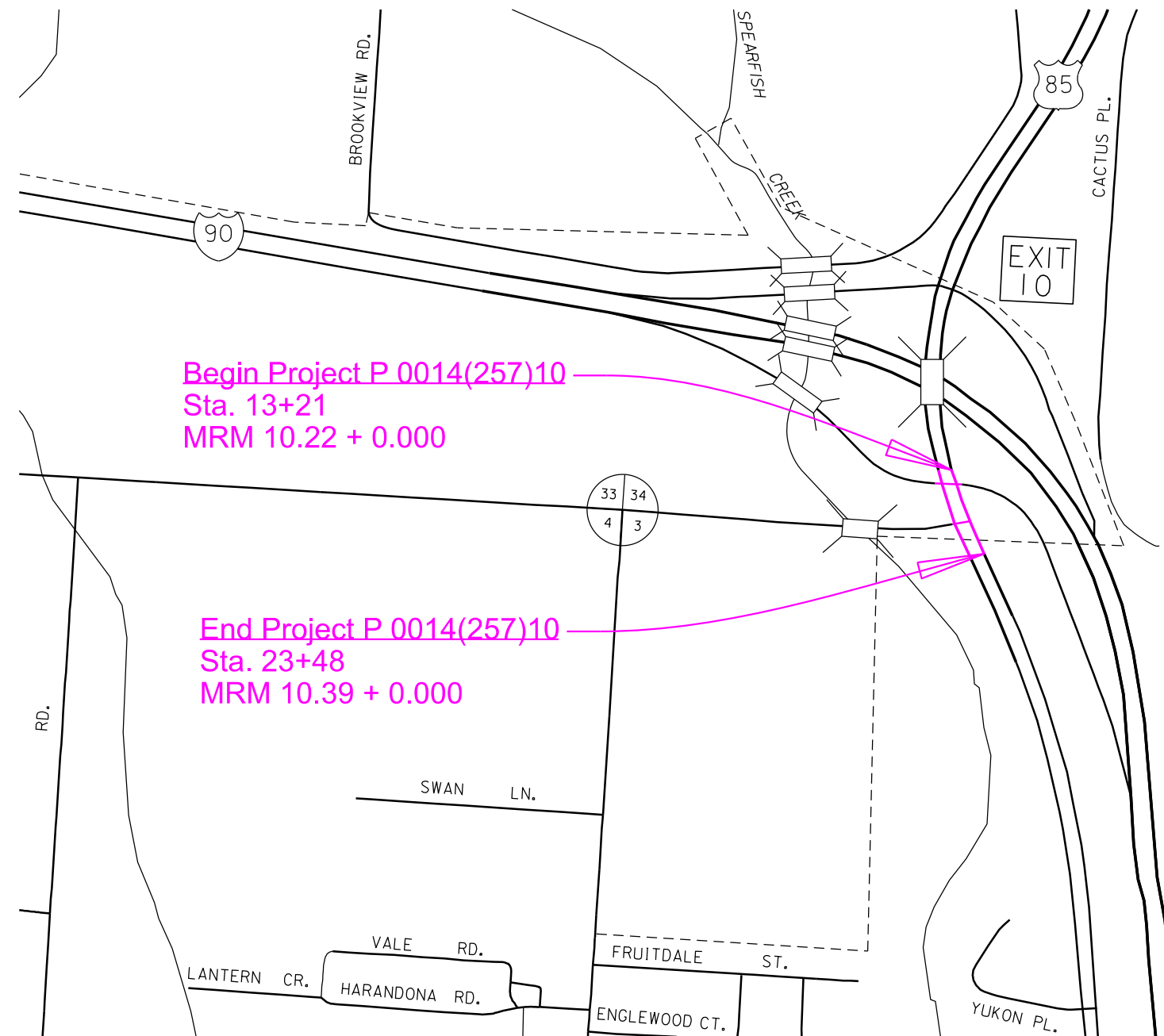
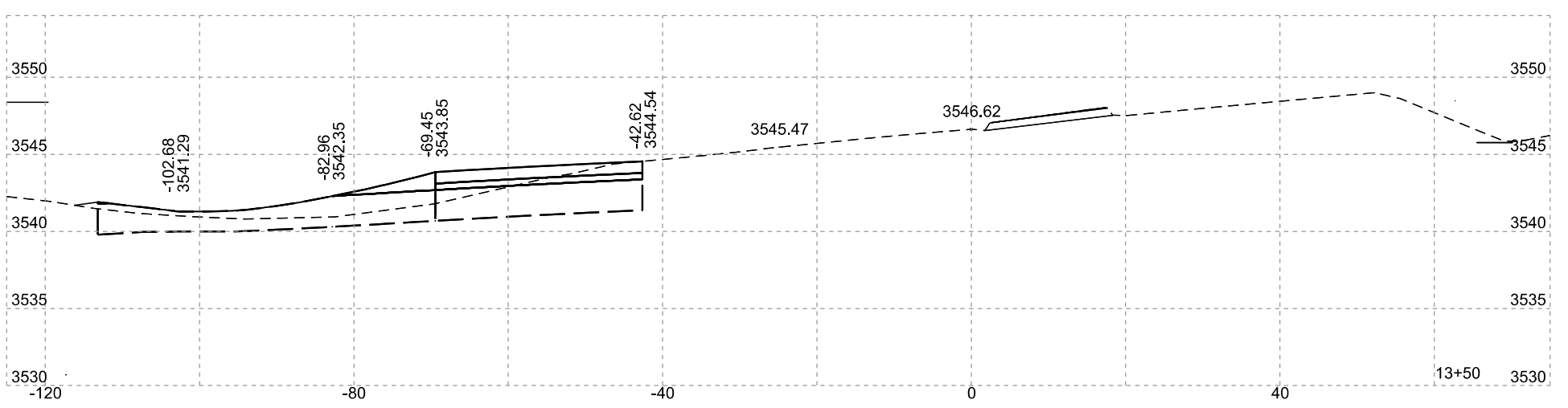
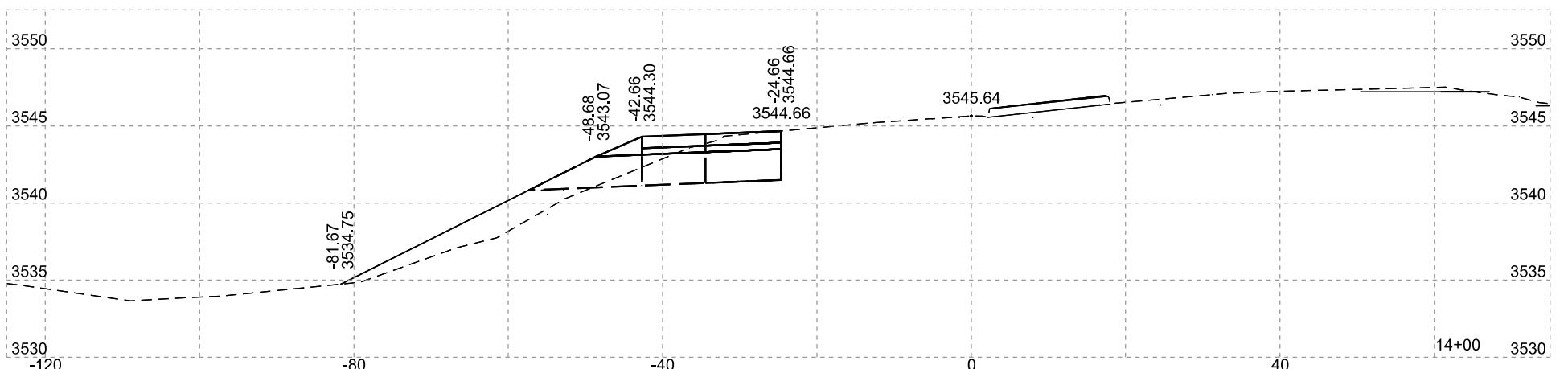
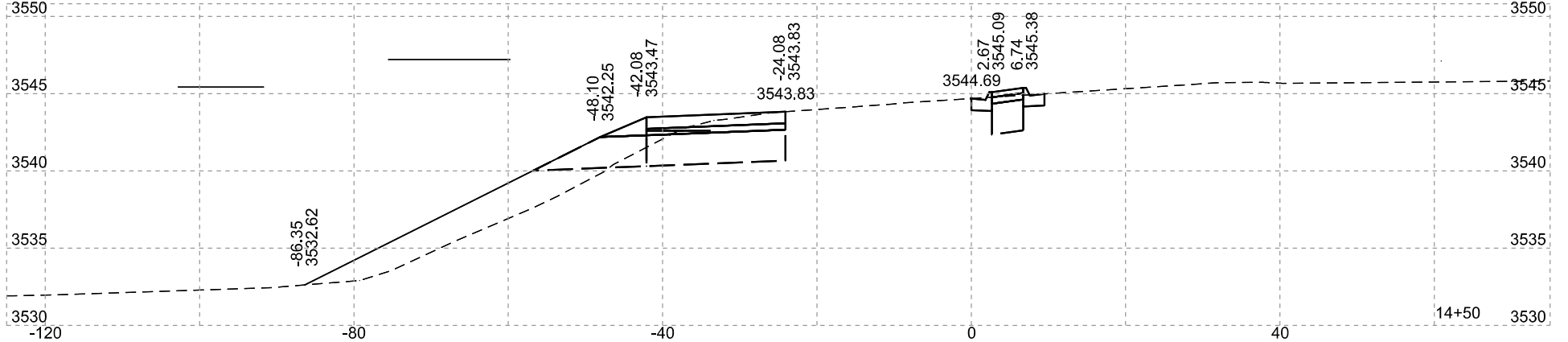
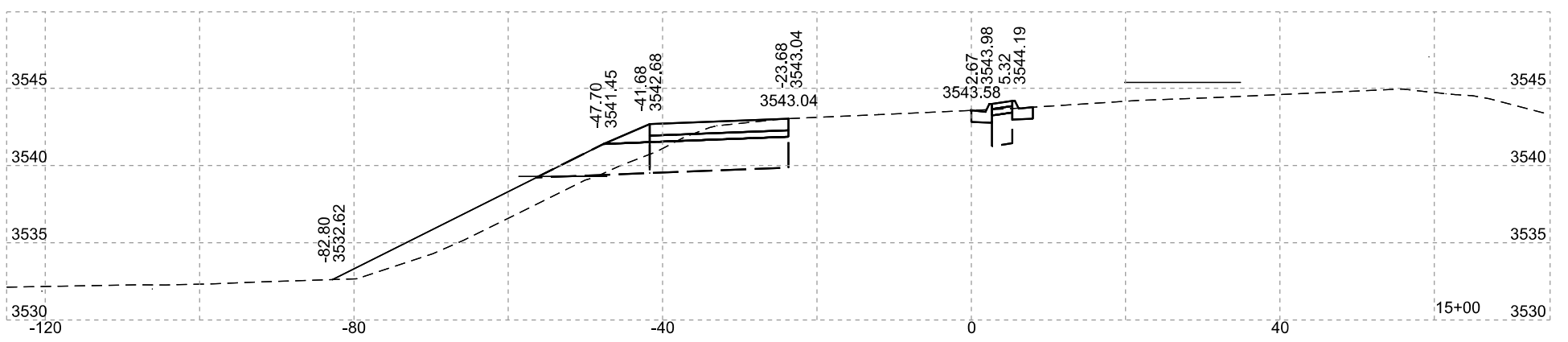
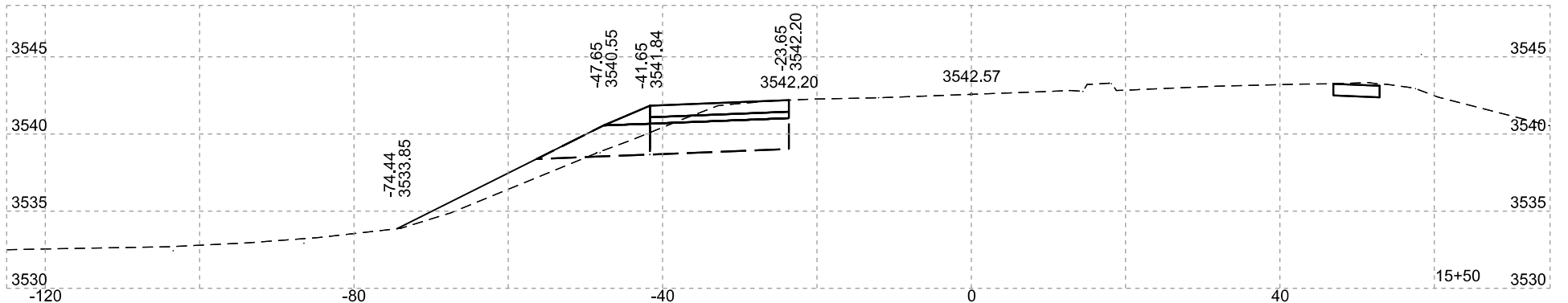
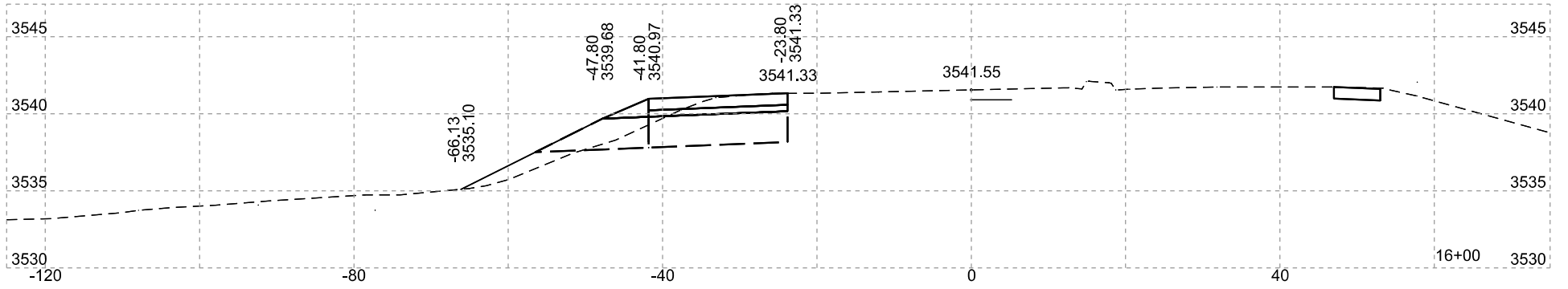


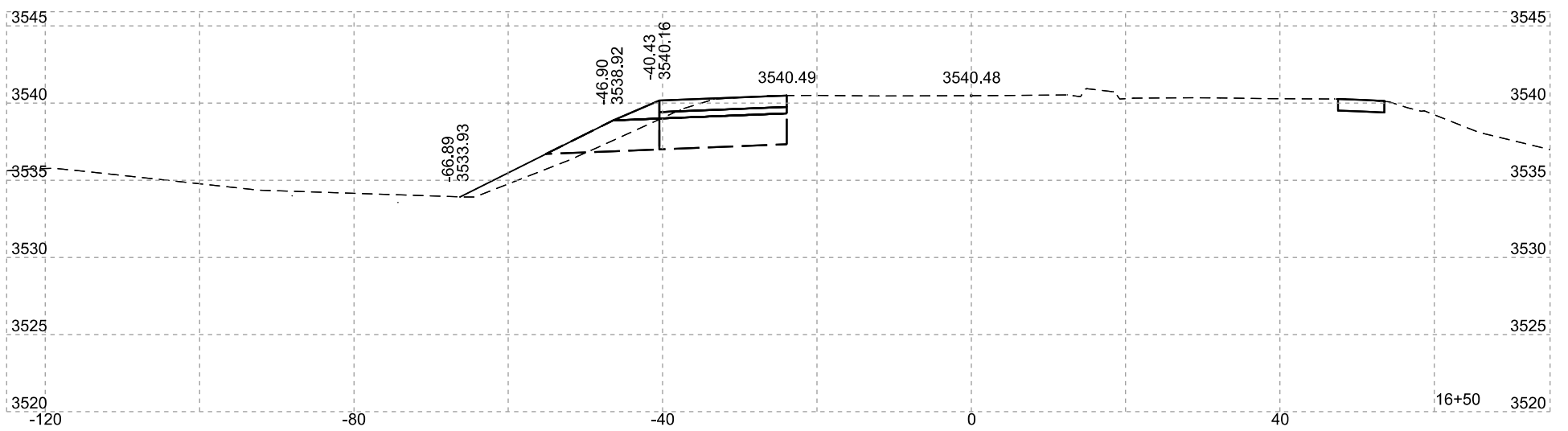
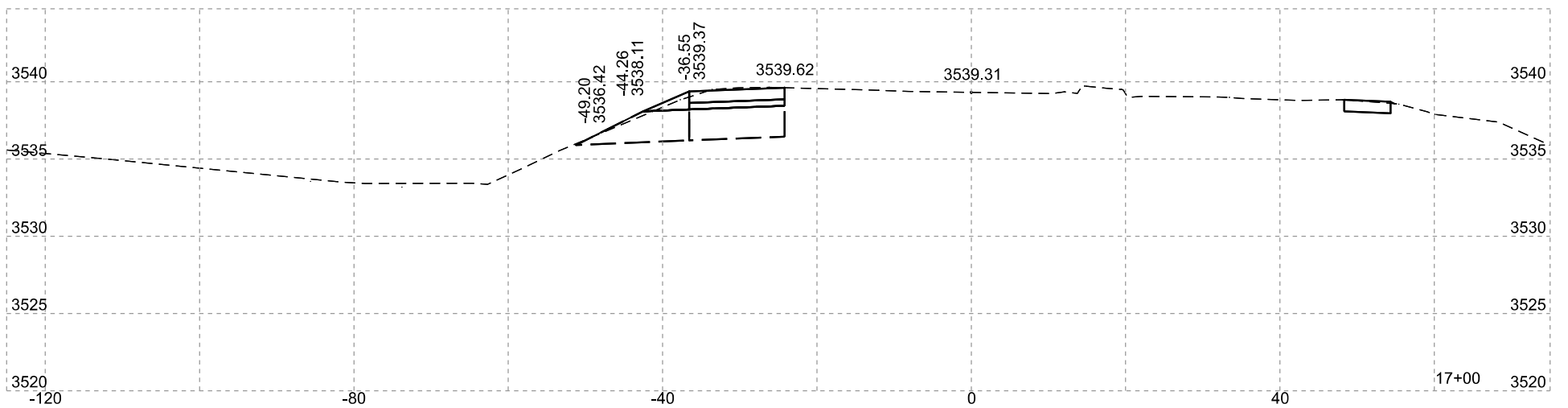
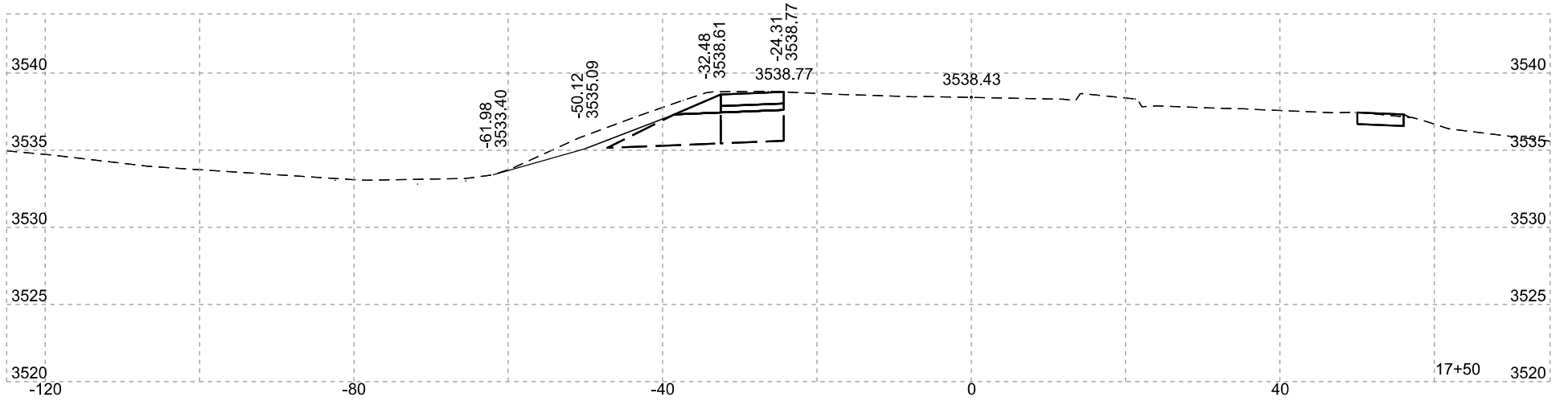
SECTION X: CROSS SECTIONS

INDEX OF SHEETS:

- X1 General Layout with Index
- X2 - X7 Cross Sections



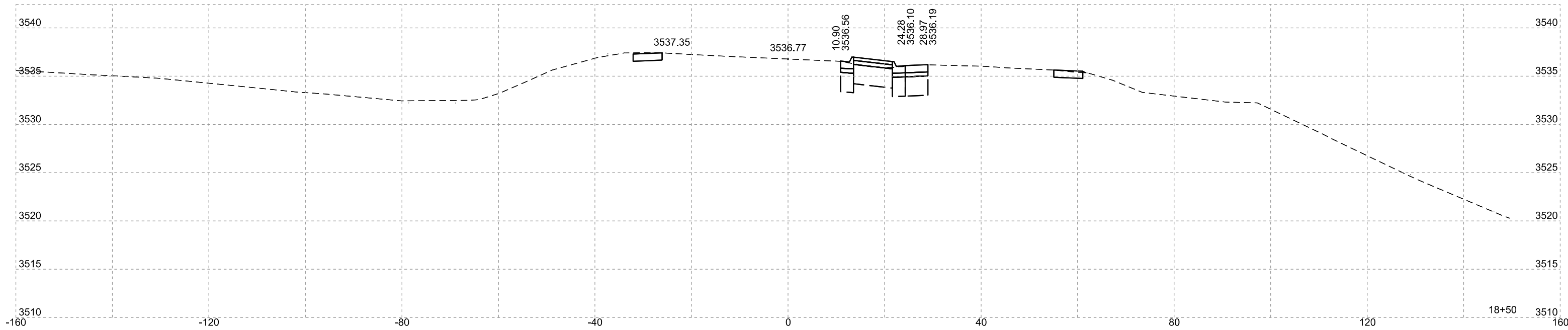
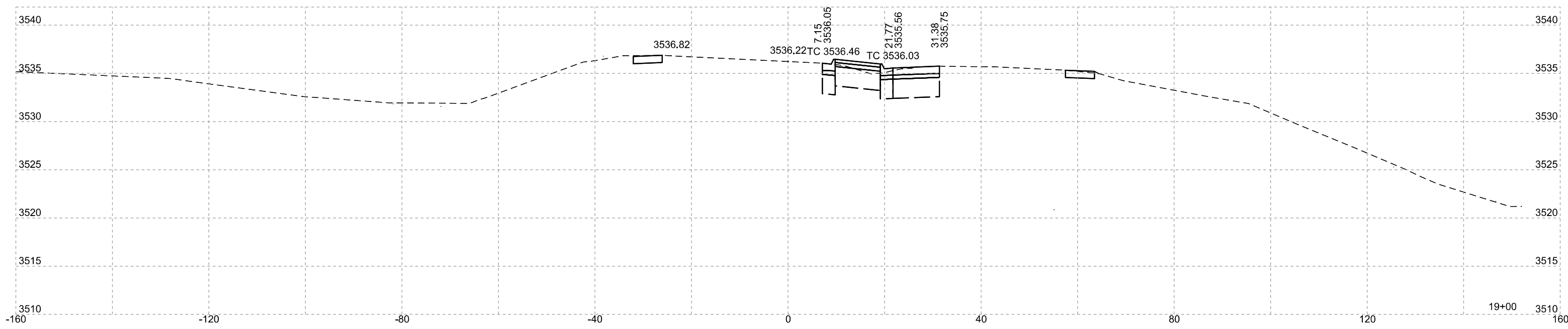






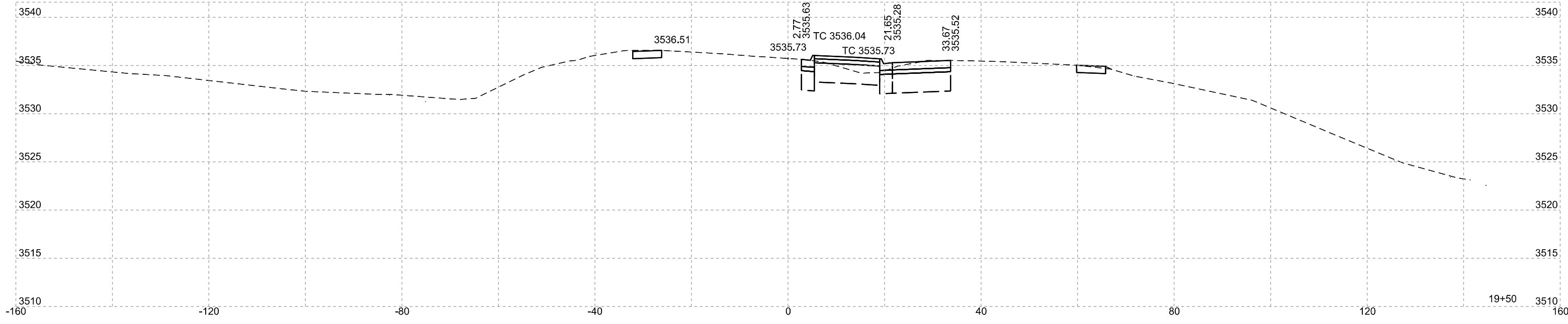
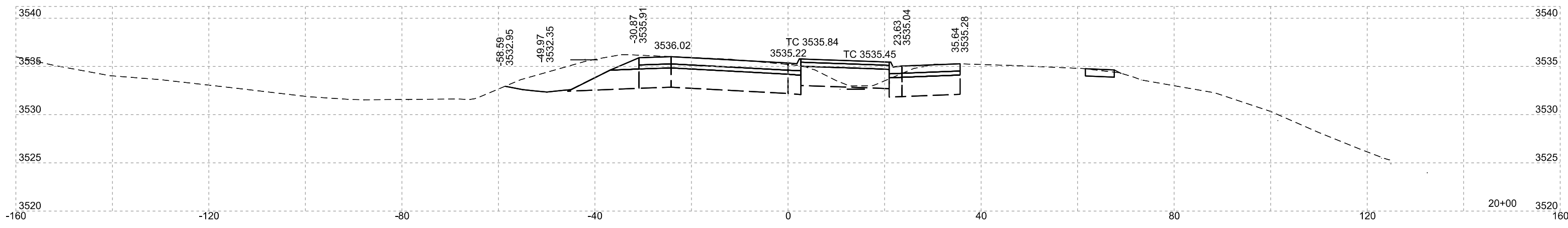
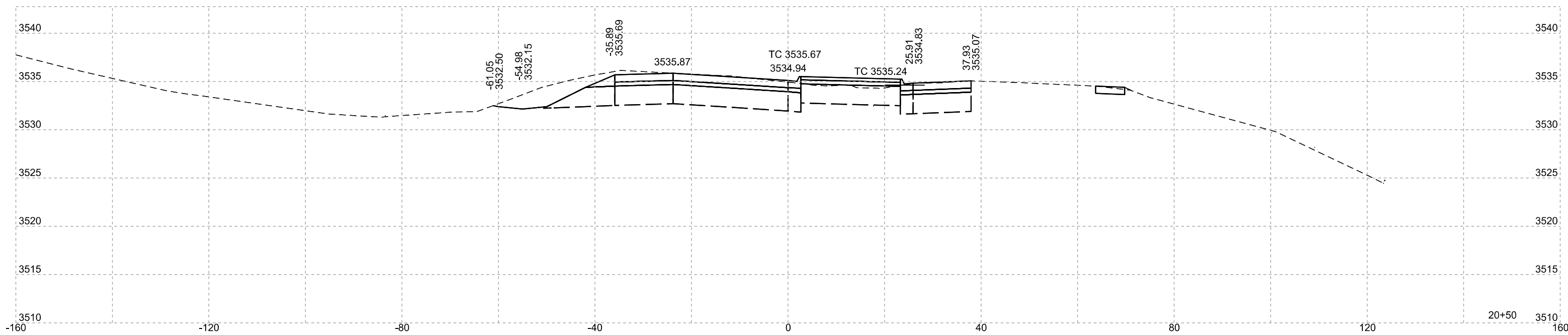
PROJECT	SECTION	SHEET
P 0014(257)10	X	4/7

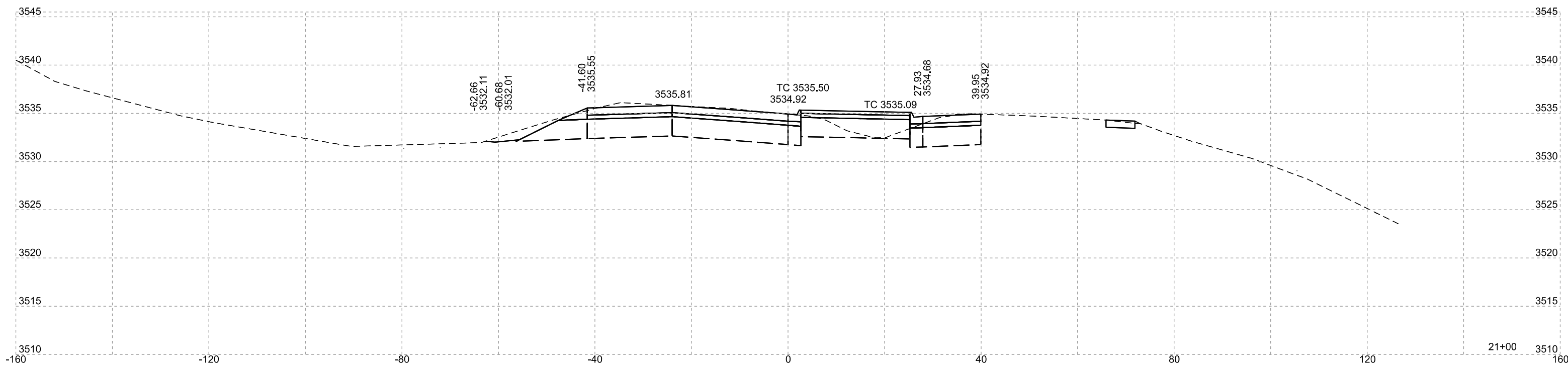
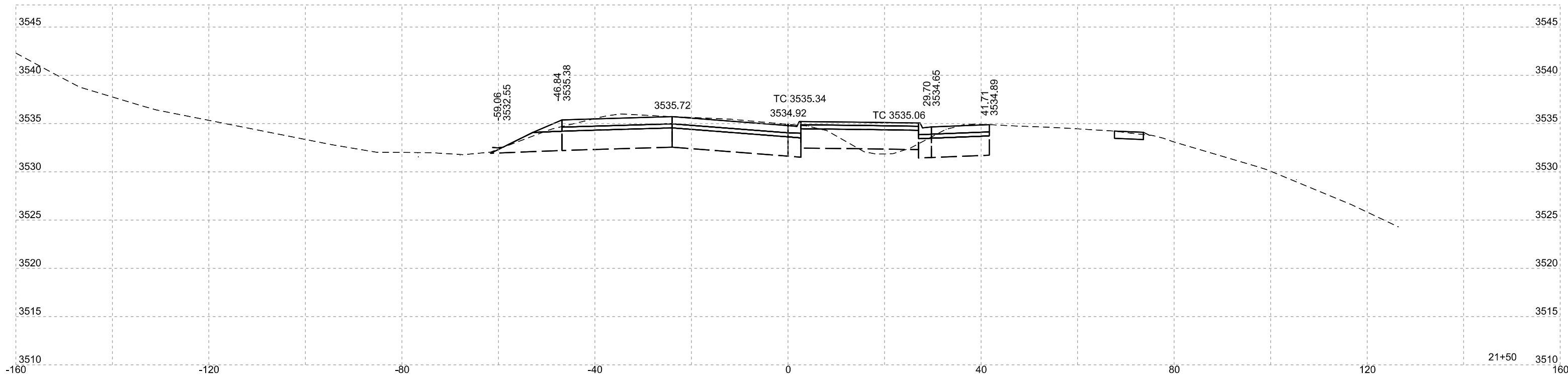
Plotting Date: 2/5/2026





Plotting Date: 2/5/2026







Plotting Date: 2/5/2026

