

ESTIMATE OF QUANTITIES

BID ITEM NUMBER	ITEM	QUANTITY	UNIT
009E0010	Mobilization	Lump Sum	LS
009E4100	Construction Schedule, Category I	Lump Sum	LS
330E0300	SS-1h or CSS-1h Asphalt for Fog Seal	25.4	Ton
330E3000	Sand for Fog Seal	15.0	Ton
360E0042	CRS-2P Asphalt for Surface Treatment	103.4	Ton
360E1200	Modified Cover Aggregate	672.1	Ton
634E0010	Flagging	100.0	Hour
634E0020	Pilot Car	40.0	Hour
634E0110	Traffic Control Signs	441.4	SqFt
634E0120	Traffic Control, Miscellaneous	Lump Sum	LS

ENVIRONMENTAL COMMITMENTS

The SDDOT is committed to protecting the environment and uses Environmental Commitments as a communication tool for the Engineer and Contractor to ensure that attention is given to avoid, minimize, and/or mitigate an environmental impact. Environmental commitments to various agencies and the public have been made to secure approval of this project. An agency with permitting authority can delay a project if identified environmental impacts have not been adequately addressed. Unless otherwise designated, the Contractor's primary contact regarding matters associated with these commitments will be the Project Engineer. During construction, the Project Engineer will verify that the Contractor has met Environmental Commitment requirements. These environmental commitments are not subject to change without prior written approval from the SDDOT Environmental Office.

Additional guidance on SDDOT's Environmental Commitments can be accessed through the Environmental Procedures Manual found at: <https://dot.sd.gov/media/documents/EnvironmentalProceduresManual.pdf>

For questions regarding change orders in the field that may have an effect on an Environmental Commitment, the Project Engineer will contact the Environmental Engineer at 605-773-3180 or 605-773-4336 to determine whether an environmental analysis and/or resource agency coordination is necessary.

Once construction is complete, the Project Engineer will review all environmental commitments for the project and document their completion.

COMMITMENT B: FEDERALLY THREATENED, ENDANGERED, AND PROTECTED SPECIES COMMITMENT B2: WHOOPING CRANE

The Whooping Crane is a spring and fall migratory bird in South Dakota that is about 5 feet tall and typically stops on wetlands, rivers, and agricultural lands along their migration route. An adult Whooping Crane is white with a red crown and a long, dark, pointed bill. Immature Whooping Cranes are cinnamon brown. While in flight, their long necks are kept straight and their long dark legs trail behind. Adult Whooping Cranes' black wing tips are visible during flight. Action Taken/Required:

Harassment or other measures to cause the Whooping Crane to leave the site is a violation of the Endangered Species Act. If a Whooping Crane is sighted roosting in the vicinity of the project, borrow pits, or staging areas associated with the project, cease construction activities in the affected area until the Whooping Crane departs and immediately contact the Project Engineer. The Project Engineer will contact the Environmental Office so that the sighting can be reported to USFWS.

COMMITMENT B4: BALD EAGLE

Bald eagles are known to occur in this area.

Action Taken/Required:

If a nest is observed within one mile of the project site, notify the Project Engineer immediately so that he/she can consult with the Environmental Office for an appropriate course of action.

COMMITMENT E: STORM WATER

Construction activities constitute less than 1 acre of disturbance.

Action Taken/Required:

At a minimum and regardless of project size, appropriate erosion and sediment control measures must be installed to control the discharge of pollutants from the construction site.

COMMITMENT H: WASTE DISPOSAL SITE

The Contractor will furnish a site(s) for the disposal of construction and/or demolition debris generated by this project.

Action Taken/Required:

Construction and/or demolition debris may not be disposed of within the Public ROW.

The waste disposal site(s) will be managed and reclaimed in accordance with the following from the General Permit for Construction/Demolition Debris Disposal Under the South Dakota Waste Management Program issued by the Department of Agriculture and Natural Resources.

The waste disposal site(s) will not be located in a wetland, within 200 feet of surface water, or in an area that adversely affects wildlife, recreation, aesthetic value of an area, or any threatened or endangered species, as approved by the Environmental Office and the Project Engineer.

If the waste disposal site(s) is located such that it is within view of any ROW, the following additional requirements will apply:

1. Construction and/or demolition debris consisting of concrete, asphalt concrete, or other similar materials will be buried in a trench separate from wood debris. The final cover over the construction and/or demolition debris will consist of a minimum of 1 foot of soil capable of supporting vegetation. Waste disposal sites provided outside of the Public ROW will be seeded in accordance with Natural Resources Conservation Service recommendations. The seeding recommendations may be obtained through the appropriate County NRCS Office. The Contractor will control the access to waste disposal sites not within the Public ROW with fences, gates, and placement of a sign or signs at the entrance to the site stating, "No Dumping Allowed".

2. Concrete and asphalt concrete debris may be stockpiled within view of the ROW for a period not to exceed the duration of the project. Prior to project completion, the waste will be removed from view of the ROW or buried, and the waste disposal site reclaimed as noted above.

The above requirements will not apply to waste disposal sites that are covered by an individual solid waste permit as specified in SDCL 34A-6-58, SDCL 34A-6-1.13, and ARSD 74:27:10:06. Failure to comply with the requirements stated above may result in civil penalties in accordance with South Dakota Solid Waste Law, SDCL 34A-6-1.31.

All costs associated with furnishing waste disposal site(s), disposing of waste, maintaining control of access (fence, gates, and signs), and reclamation of the waste disposal site(s) will be incidental to the various contract items.

COMMITMENT I: HISTORIC PRESERVATION OFFICE CLEARANCES

The SDDOT has obtained concurrence with the State Historic Preservation Office (SHPO or THPO) for all work included within the project limits and all department designated sources and designated option material sources, stockpile sites, storage areas, and waste sites provided within the plans.

Action Taken/Required:

All earth disturbing activities not designated within the plans require a cultural resource review prior to scheduling the pre-construction meeting. This work includes but is not limited to: Contractor furnished material sources, material processing sites, stockpile sites, storage areas, plant sites, and waste areas.

The Contractor will arrange and pay for a record search and when necessary, a cultural resource survey. The Contractor has the option to contact the state Archaeological Research Center (ARC) at 605-394-1936 or another qualified archaeologist, to obtain either a records search or a cultural resources survey. A record search might be sufficient for review if the site was previously surveyed; however, a cultural resources survey may need to be conducted by a qualified archaeologist.

The Contractor will provide ARC with the following: a topographical map or aerial view in which the site is clearly outlined, site dimensions, project number, and PCN. If applicable, provide evidence that the site has been previously disturbed by farming, mining, or construction activities with a landowner statement that artifacts have not been found on the site.

The Contractor will submit the cultural resources survey report to SDDOT Environmental Office, 700 East Broadway Avenue, Pierre, SD 57501-2586. SDDOT will submit the information to the appropriate SHPO/THPO. Allow **30 Days** from the date this information is submitted to the Environmental Engineer for SHPO/THPO review.

In the event of an inadvertent discovery of human remains, funerary objects, or if evidence of cultural resources is identified during project construction activities, then such activities within 100 feet of the inadvertent discovery will immediately cease and the Project Engineer will be immediately notified. The Project Engineer will contact the SDDOT Environmental Office, who will contact the appropriate SHPO/THPO within 48 hours of the discovery to determine an appropriate course of action.

SHPO/THPO review does not relieve the Contractor of the responsibility for obtaining any additional permits and clearances for Contractor furnished material sources, material processing sites, stockpile sites, storage areas, plant sites, and waste areas that affect wetlands, threatened and endangered species, or waterways. The Contractor will not utilize a site known or suspected of having contaminated soil or water. The Contractor will provide the required permits and clearances to the Project Engineer at the preconstruction meeting.

ENGINEER NOTIFICATION

The Contractor is required to notify the Area Engineer at least 10 days prior to beginning asphalt surface treatment operations.

SEQUENCE OF OPERATIONS

Contractor requests to deviate from the sequence of operations will be submitted in writing to the Engineer for review. Approval of an alternate sequence of operations will only be allowed when the proposed changes meet with the Department's intent for traffic control and sequencing of the work. An alternate sequence will be submitted for review a minimum of one week prior to potential implementation.

The following sequence is provided, and is intended as a guide only, to the Contractor to aid in planning their sequence of operations and is not inclusive of all work activities.

1. Install fixed location ground mounted traffic control devices.
2. Apply asphalt surface treatment. The application of the asphalt and aggregate will cease at least one hour prior to sunset each day.
3. Broom chip sealed areas each morning following chip seal application.
4. Apply fog seal.
5. Remove traffic control devices.

ASPHALT FOR SURFACE TREATMENT

CRS-2P Asphalt for Surface Treatment and Modified Cover Aggregate will be used for all portions of the project.

Existing Pavement condition for this segment is black flushed asphalt.

On asphalt shoulder routes, the Asphalt for Surface Treatment and Cover Aggregate will be applied between the edge of concrete and the sluff. Fog seal will be applied to the full width of asphalt and asphalt sluff.

The asphalt for surface treatment that is delivered for use on this contract will be used in the order it is received. Storage of asphalt for surface treatment will only be allowed at the end of the workday. The material that is placed in storage will be the first material used the following day.

Application of the asphalt surface treatment will be applied to the widths specified in the plans.

BRIDGE ENDS AND APPROACH SLABS

Asphalt surface treatment will not be placed on any bridge and/or bridge approach slabs. Any emulsion or cover aggregate found to be on bridges or approach slabs after final brooming will be removed by the Contractor as directed by the Engineer at no cost to the Department.

Material used to cover and protect these areas will be removed and disposed of properly after the application of the asphalt surface treatment. When the material is removed, the asphalt surface treatment that does not stay adhered to the material will be removed from the road surface.

All joints at bridge ends including asphalt plug joints, membrane sealant, and strip seal glands along the project will be masked and/or protected the entire length prior to Asphalt Surface Treatment operations. This protection will remain in place until completion of the fog seal and any final brooming operations. The protection will then be removed, and any loose material cleaned out of each of the gland areas. Any damage to the glands caused by the asphalt surface treatment operations will be repaired at no expense to the State. All costs related to this work will be incidental to the various contract items.

The anticipated bridge joint locations are listed in the table below.

Route	MRM
US 18	245.73
US 18	257.65

PROJECT BROOMING

All material will be broomed off bridges and curb & gutter areas. No material will be broomed under the guardrail, including the 3-cable guardrail or into the drop inlets. Material from the curb & gutter areas, from guardrail areas of the bridges, and from drop inlets will be disposed of in a manner satisfactory to the Engineer.

No material will be broomed into the ditches or on the boulevards in residential and commercial areas where the adjacent landowner conducts the mowing of the right-of-way. No material will be broomed into ditches with pedestrian walkways. This material will be disposed of in a manner satisfactory to the Engineer.

Material that is broomed onto the roadway in slopes will not be left in piles or windrows. The material will be evenly distributed at a height that will not hinder mowing operations or cause dispersion of the material into the traveled roadway when passed over with a mower.

MODIFIED COVER AGGREGATE

Aggregate for Cover Aggregate will conform to the following gradation requirements.

Passing 3/8 inch sieve	100%
Passing No. 4 sieve	0-75%
Passing No. 8 sieve	0-30%
Passing No. 40 sieve	0-6%
Passing No. 200 sieve	0-1.5%

All other requirements of the Specifications for Type 1B will apply.

Should the material fail on the No. 200 sieve requirements, the Contractor will shut down operations until the Engineer determines if changes or corrections are required. Application of the cover aggregate will be maintained within 500 feet or have a time limit of 1 minute between the application of the CRS-2P Asphalt for Surface Treatment and the application of the cover aggregate, whichever amounts to a shorter time period.

The Contractor will continue chip spreader progress, forward, through the asphalt application at any end where work will be temporarily shut down for more than 5 minutes, to allow for satisfactory uniform rolling of the placed aggregate. The Contractor will not allow the chip spreader, trucks, rollers, or other equipment to lie dormant on the aggregate while transitioning between asphalt distributor loads and/or any other temporary shutdown of production before uniform rolling is completed.

All passes of the rollers will be completed within 8 minutes of application of the CRS-2P Asphalt for Surface Treatment.

After an aggregate stockpile has been produced, the Contractor will submit an aggregate sample to the asphalt supplier a minimum of 14 days prior to starting the project to allow time to evaluate the compatibility and design of the surface treatment. A copy of the test results will be submitted to the Engineer and Bituminous Engineer for approval prior to starting the asphalt surface treatment work.

Quality testing of the Modified Cover Aggregate for abrasion and soundness are required by specification. The Contractor will notify the Winner Area Office prior to sampling and a representative from the Winner Area Office will witness all sampling of aggregates to be submitted to the Central Testing Laboratory for quality assurance. Satisfactory test results for the Cover Aggregate will be obtained prior to its use on the project.

FOG SEAL

The fog seal will be placed following the completion of the asphalt surface treatment. Prior to the application of the fog seal, the Contractor will be required to broom the asphalt surface treatment. A CSS-1h or SS-1h emulsion will be used for the fog seal application. A water-to-emulsion rate of 1:1 should be used for the Fog Seal application.

The Contractor will fog seal the entire asphalt surface including the sluff.

The Contractor will plan the fog seal operation to allow adequate cure time for the fog seal and to minimize/eliminate the need to apply Sand for Fog Seal.

If adequate cure time for the Fog Seal is not available, to facilitate traffic, the Contractor will be allowed to place a minimum sufficient amount of blotting sand on the fog seal to allow traffic to cross the uncured portion of the fog seal, as permitted by the Engineer.

Sand for Fog Seal is only intended to be placed for accesses to businesses, intersection crossings, and as determined by the Engineer to facilitate traffic movements. Sand for Fog Seal will not be placed to accelerate the Contractor's schedule.

Sand that is applied will be broomed off the surface of the roadway once the fog seal has sufficiently cured as determined by the Engineer.

Sand for Fog Seal will conform to Section 879.1.B.

Prior to hauling, Sand for Fog Seal will be screened to minimize segregation, eliminate oversize, and effectively breakup or discard material bonded into chunks. All costs for supplying, hauling, placing, and brooming the blotting sand will be incidental to the contract unit price per ton for "Sand for Fog Seal".

GENERAL TRAFFIC CONTROL

Existing guide, route, informational logo, regulatory, and warning signs will be temporarily reset and maintained during construction. Removing, relocating, covering, salvaging, and resetting of existing traffic control devices, including delineation, will be the responsibility of the Contractor. Cost for this work will be incidental to the contract unit prices for the various items unless otherwise specified in the plans. Any delineators and signs damaged or lost will be replaced by the Contractor at no cost to the State.

All temporary traffic control sign locations will be set in the field by the Contractor and verified by the Engineer prior to installation.

All temporary speed limit signs will have a minimum mounting height of 5 feet in rural locations, even when mounted on portable supports.

Portable sign supports will not be located on sidewalks, bicycle facilities, or other areas designated for pedestrian or bicycle traffic.

If there is a discrepancy between the traffic control plans, standard plates, and the MUTCD, whichever is more stringent will be used, as determined by the Engineer.

Unless otherwise stated in these plans, work will not be allowed during hours of darkness.

Fixed location signing placed more than 4 calendar days prior to the start of construction will be covered or laid down until the time of construction. The covers must be approved by the Engineer prior to installation. The cost of materials, labor, and equipment necessary to complete this work will be incidental to other contract items. No separate payment will be made.

All fixed location signs, sign posts, and breakaway bases will be removed within 7 calendar days following fog seal completion.

All haul trucks will be equipped with an additional flashing amber light that is visible from the backside of the haul truck. The costs for the flashing amber lights will be incidental to the various related contract items.

Traffic will be maintained on the driving lanes. Use of the shoulder as a driving lane will not be permitted. Any damage to the shoulder due to rerouted traffic or Contractor's equipment will be repaired at no expense to the Department.

The Contractor will furnish, install, maintain, and remove TRUCK CROSSING (W8-6) signs daily. The TRUCK CROSSING signs will be displayed always when haul vehicles are hauling material. When hauling conditions no longer exist, the signs will be covered or removed from view. The exact number and location will be determined during construction. Payment for additional signs will be based on the contract unit price per square foot for "Traffic Control Signs".

COORDINATION BETWEEN CONTRACTORS

A separate contract for project NH 0018(239)244 PCN 08H9 may be in progress during this work. The work being performed will be on the two structures within the project limits of this work. The Contractor for this project is Industrial Builders, Inc., Fargo, North Dakota.

The Contractor will schedule work so as not to interfere with or hinder the progress of the work performed by the other Contractor on PCN 08H9. Conflicting traffic control devices may need to be temporarily adjusted or removed as directed by the Engineer and at no additional cost to the contract.

FLAGGING

Operations will be conducted so that the traveling public will not have to wait longer than 15 minutes at the flagger station.

Additional flagger warning signs and flagger hours have been included in the Estimate of Quantities for use on intersecting roads. These flaggers will be used as directed by the Engineer and will be used primarily during daytime hours. Also included in the Estimate of Quantities are WAIT FOLLOW PILOT CAR signs for use on low volume intersecting roads as determined by the Engineer. WAIT FOLLOW PILOT CAR signs will not block the view of the stop sign.



It is required that the flaggers and pilot car operators be able to communicate with one another. If an emergency vehicle needs to pass through the project, the Contractor will be required to expedite traffic movement. All costs associated with this will be incidental to the contract unit price per hour for "Flagging".

TRAFFIC CONTROL FOR ASPHALT SURFACE TREATMENT

The Contractor will furnish, install, and maintain LOOSE GRAVEL (W8-7) signs upon start of surface treatment operations at each end of the segment and on either side of intersecting asphalt roads and major intersections as determined by the Engineer. In addition, LOOSE GRAVEL signs will be installed at no more than 4-mile intervals throughout each segment.

LOOSE GRAVEL (W8-7) will be mounted on fixed location breakaway sign supports, as shown on the plan layout.

PERMANENT PAVEMENT MARKING

No Permanent Pavement Markings will be required on the project. The Contractor will take steps to protect the existing edge lines throughout the project.

Any damage to the existing pavement markings will be repaired at no expense to the State.

EXISTING PAVEMENT CONDITIONS

Existing pavement condition is smooth non-porous.

TRAFFIC VOLUMES

Traffic volumes for this highway segment are shown on the title page.

STOCKPILE SITE RELEASE

Upon completion of the contract, the Contractor will supply the Engineer with a copy of all stockpile site releases to place in the Departments records.

RATES OF MATERIALS

The Estimate of Quantities is based on the following quantities of material per mile.

US 18 Tripp County – 6' Asphalt Shoulders with 2' sluff (Rate for one shoulder)

Station 0+00 to Station 482+27.52

CRS-2P Asphalt for Surface Treatment at the rate of 5.7 tons applied 6.0 feet wide (Rate = 0.38 gallon per square yard).

Modified Cover Aggregate at the rate of 37.0 tons applied 6.0 feet wide (Rate = 21 pounds per square yard).

SS-1h or CSS-1h Asphalt for Fog Seal at the rate of 1.4 tons applied 8.0 feet wide (Rate = 0.07 gallon per square yard). The oil applied must be compatible with the aggregate used.

ITEMIZED LIST FOR TRAFFIC CONTROL SIGNS

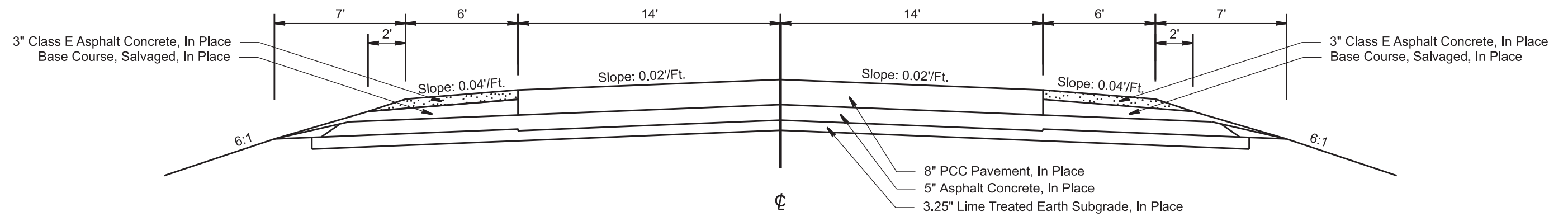
SIGN CODE	SIGN DESCRIPTION	CONVENTIONAL ROAD			
		NUMBER	SIGN SIZE	SQFT PER SIGN	SQFT
W8-6	TRUCK CROSSING	2	48" x 48"	16.0	32.0
W8-7	LOOSE GRAVEL	6	48" x 48"	16.0	96.0
W20-1	ROAD WORK AHEAD	6	48" x 48"	16.0	96.0
W20-4	ONE LANE ROAD AHEAD	2	48" x 48"	16.0	32.0
W20-7	FLAGGER (symbol)	6	48" x 48"	16.0	96.0
W21-5	SHOULDER WORK	2	48" x 48"	16.0	32.0
G20-1	ROAD WORK NEXT MILES	2	36" x 18"	4.5	9.0
G20-2	END ROAD WORK	4	36" x 18"	4.5	18.0
SPECIAL	WAIT FOR PILOT CAR	8	30" x 18"	3.8	30.4
				CONVENTIONAL ROAD TRAFFIC CONTROL SIGNS SQFT	441.4

TYPICAL SURFACING SECTIONS

STATE OF SOUTH DAKOTA	PROJECT	SHEET	TOTAL SHEETS
	NH 0033(49)	6	9

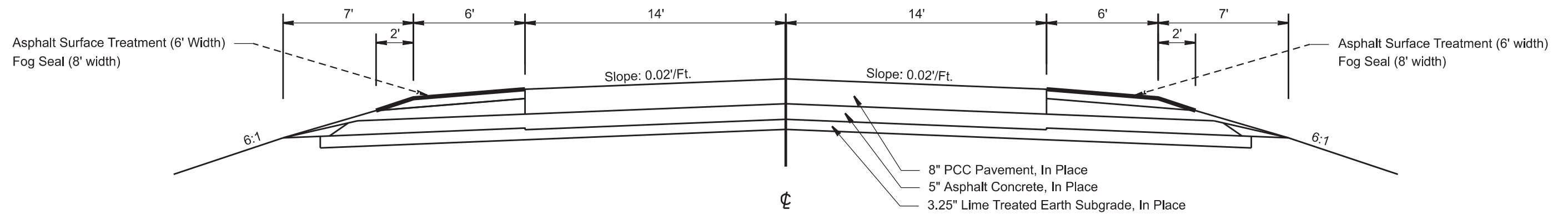
Sta. 0+00 to Sta. 482+27.52

In Place Section

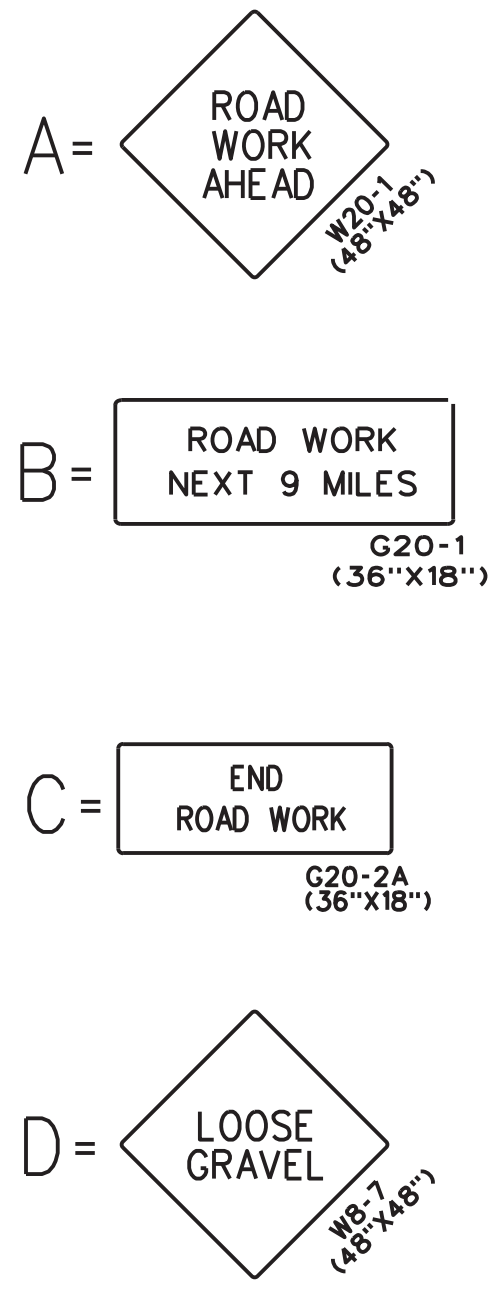


Sta. 0+00 to Sta. 482+27.52

Surfacing Section



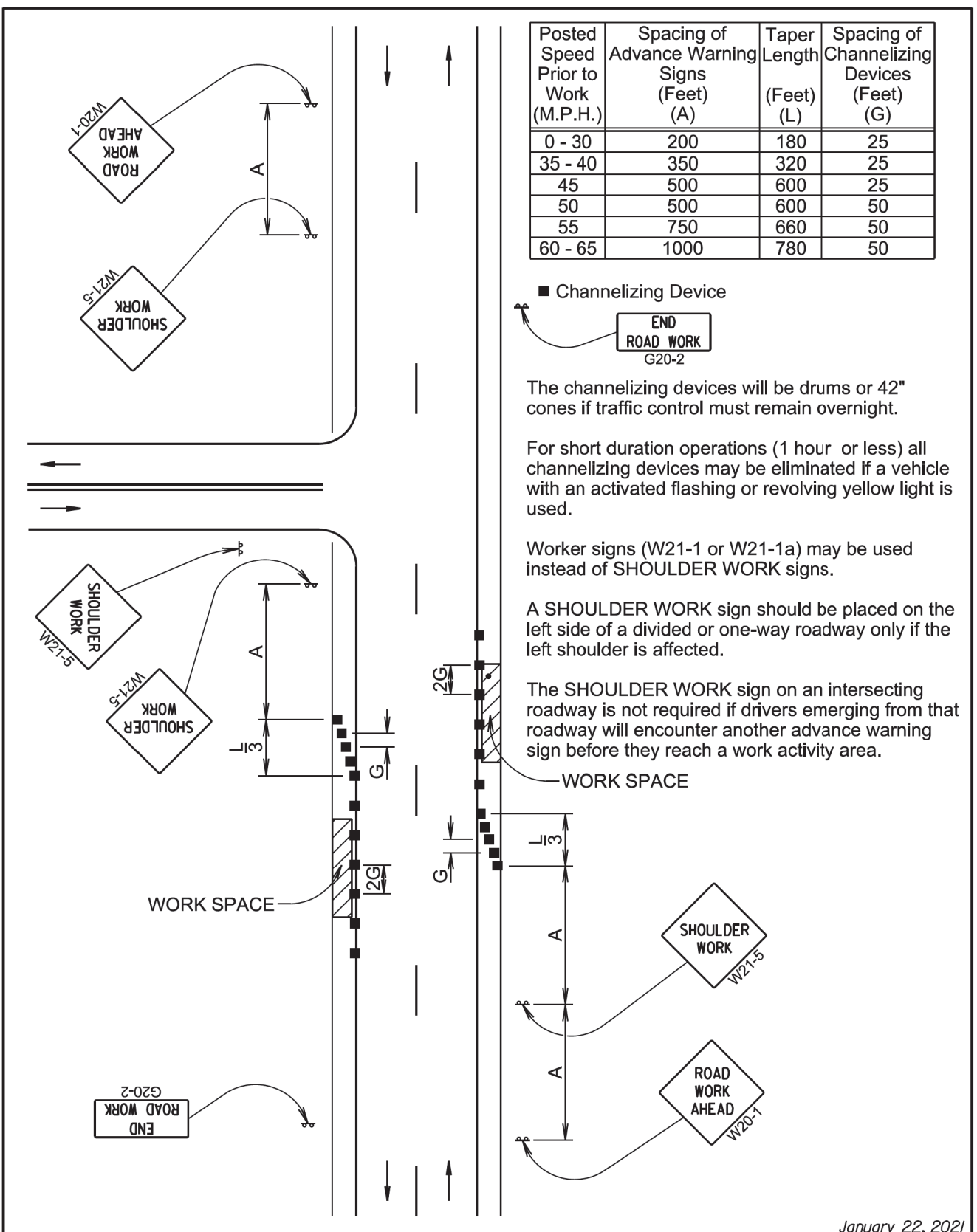
FIXED LOCATION SIGNS



NOTES:

EXACT LOCATION AND SPACING OF THE SIGNS SHOWN TO BE DETERMINED IN THE FIELD BY THE ENGINEER.

FIXED LOCATION SIGNS TO REMAIN IN PLACE UNTIL THE COMPLETION OF THE PERMANENT PAVEMENT MARKINGS.



January 22, 2021

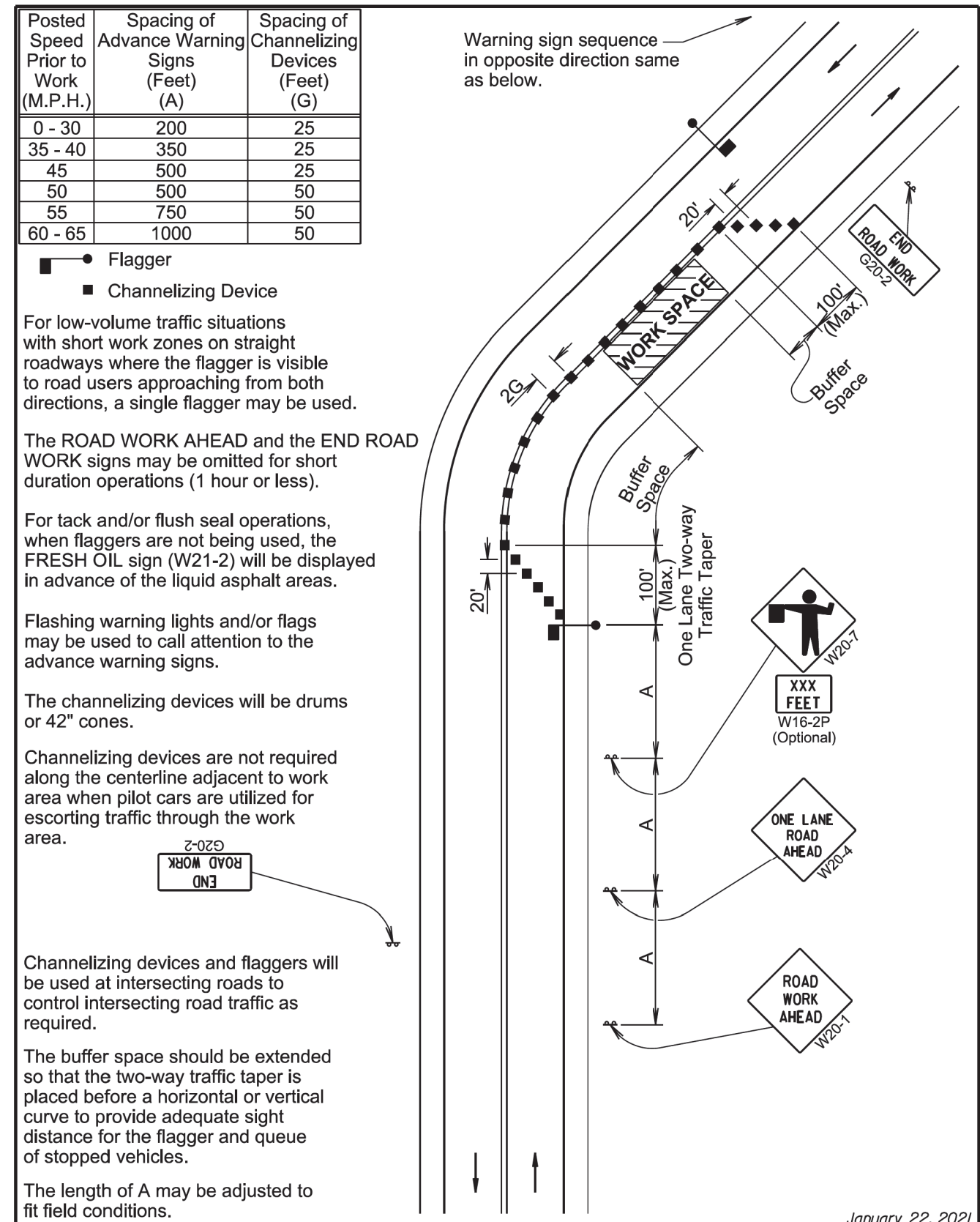
SD DOT

WORK ON SHOULDERS

PLATE NUMBER
634.03

Sheet 1 of 1

Published Date: 2026



January 22, 2021

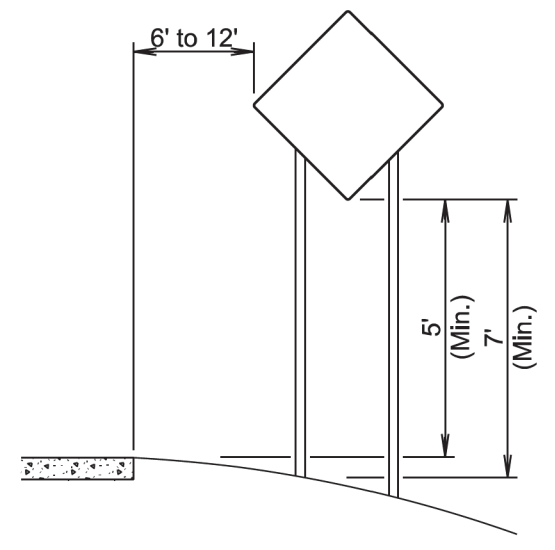
SD DOT

LANE CLOSURE WITH FLAGGER PROVIDED

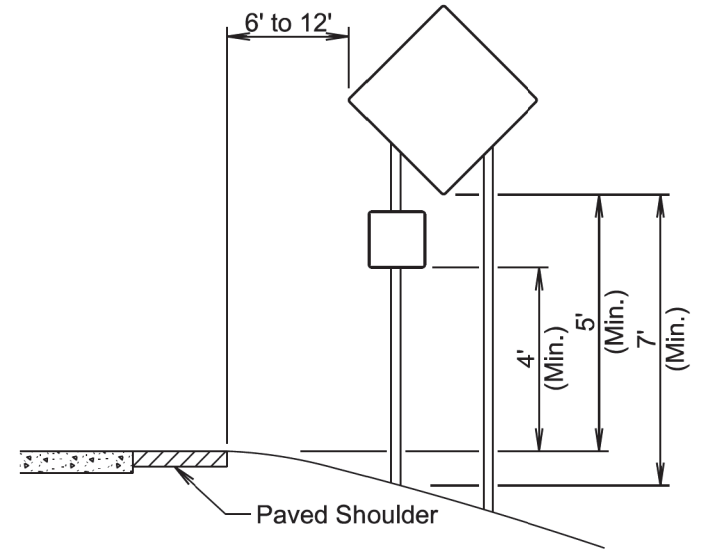
PLATE NUMBER
634.23

Sheet 1 of 1

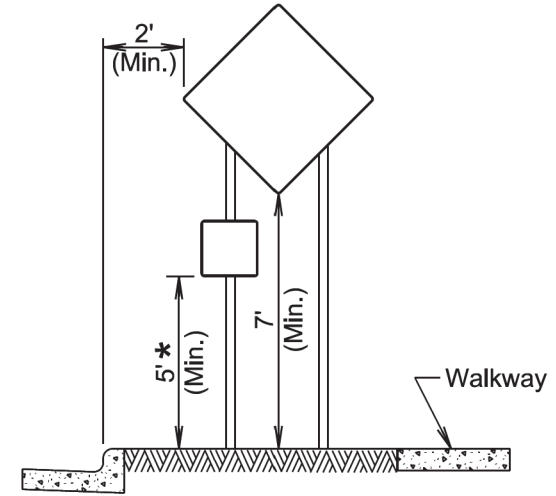
Published Date: 2026



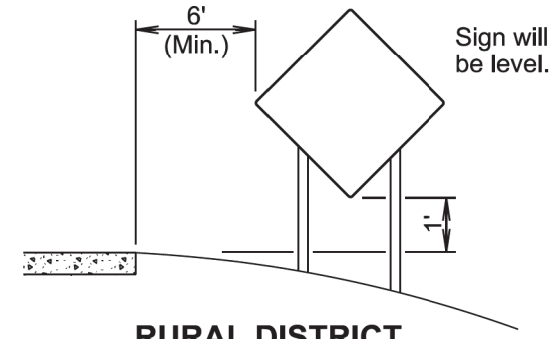
RURAL DISTRICT



RURAL DISTRICT WITH SUPPLEMENTAL PLATE



URBAN DISTRICT

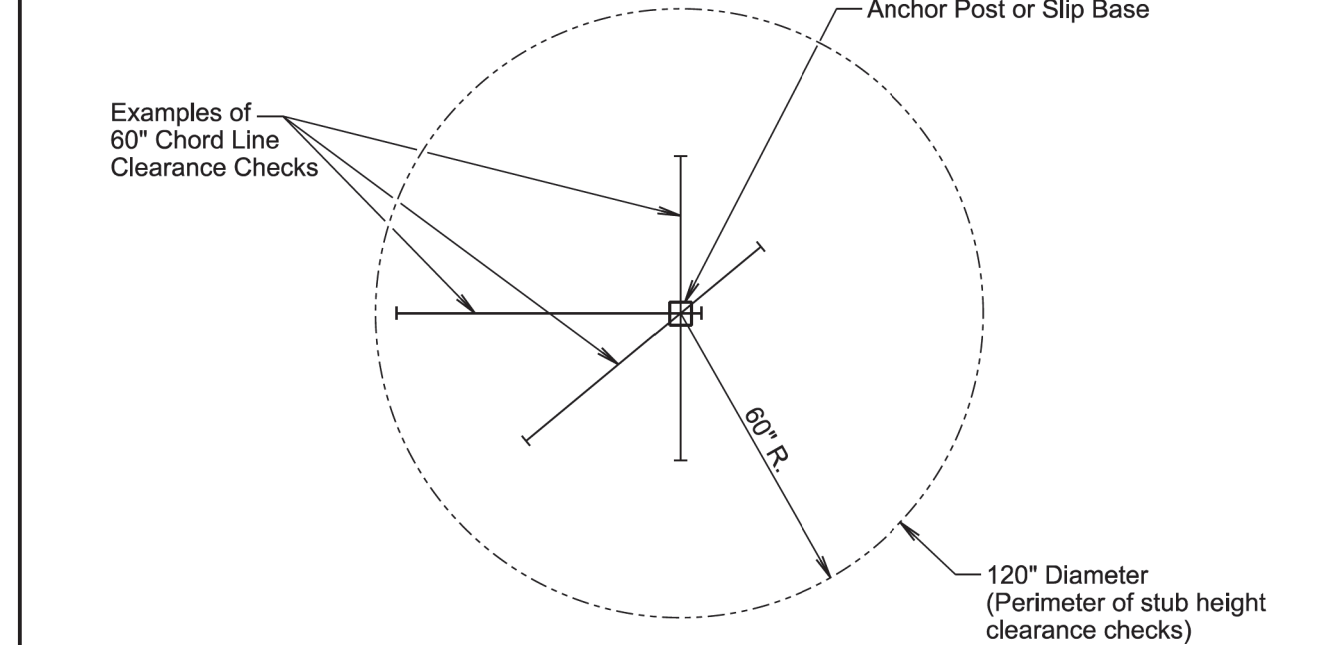


RURAL DISTRICT 3 DAY MAXIMUM
(Not applicable to regulatory signs)

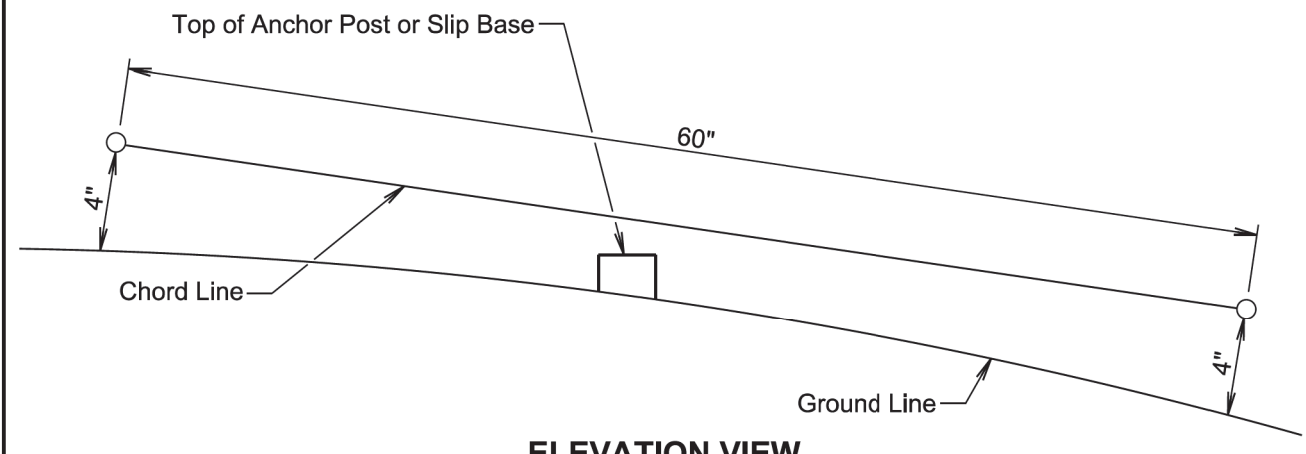
* If the bottom of supplemental plate is mounted lower than 7 feet above a pedestrian walkway, the supplemental plate should not project more than 4" into the pedestrian facility.

January 22, 2021

Published Date: 2026	S D D O T	CRASHWORTHY SIGN SUPPORTS (Typical Construction Signing)	PLATE NUMBER 634.85
			Sheet 1 of 1



PLAN VIEW
(Examples of stub height clearance checks)



ELEVATION VIEW

GENERAL NOTES:

- The top of anchor posts and slip bases WILL NOT extend above a 60" chord line within a 120" diameter circle around the post with ends 4" above the ground.
- At locations where there is curb and gutter adjacent to the breakaway sign support, the stub height will be a maximum of 4" above the ground line at the localized area adjacent to the breakaway support stub.
- The 4" stub height clearance is not necessary for U-channel lap splices where the support is designed to yield (bend) at the base.

January 22, 2021

Published Date: 2026	S D D O T	BREAKAWAY SUPPORT STUB CLEARANCE	PLATE NUMBER 634.99
			Sheet 1 of 1