

STATE OF SOUTH DAKOTA	PROJECT	SHEET NO.	TOTAL SHEETS
	012 E-151	1	9
Plotting Date: 08/09/2018			

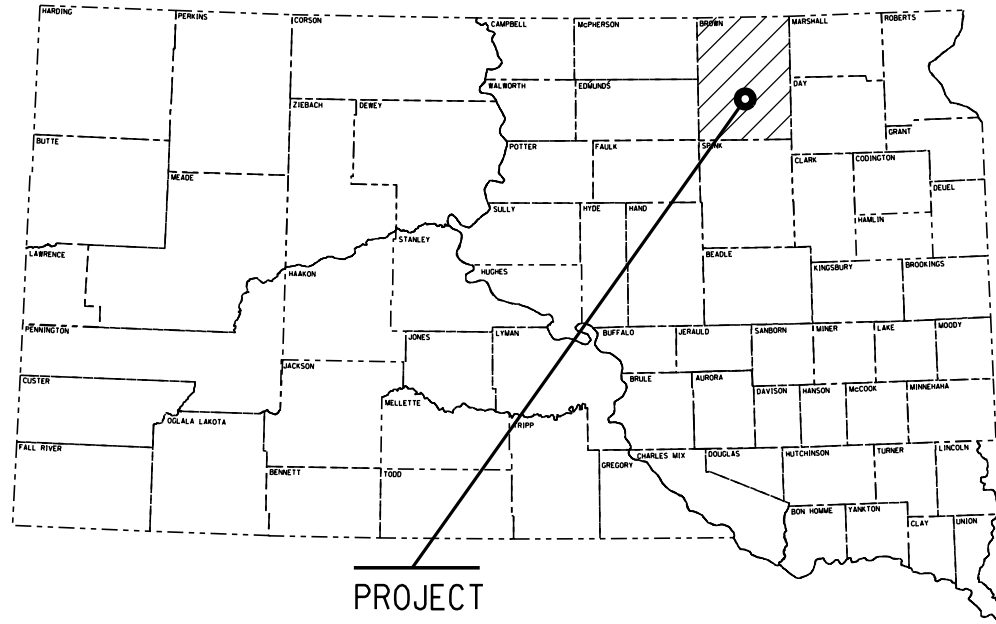
STATE OF SOUTH DAKOTA
DEPARTMENT OF TRANSPORTATION
PLANS FOR PROPOSED

PROJECT 012 E-151
US HIGHWAY 12 E
Brown County

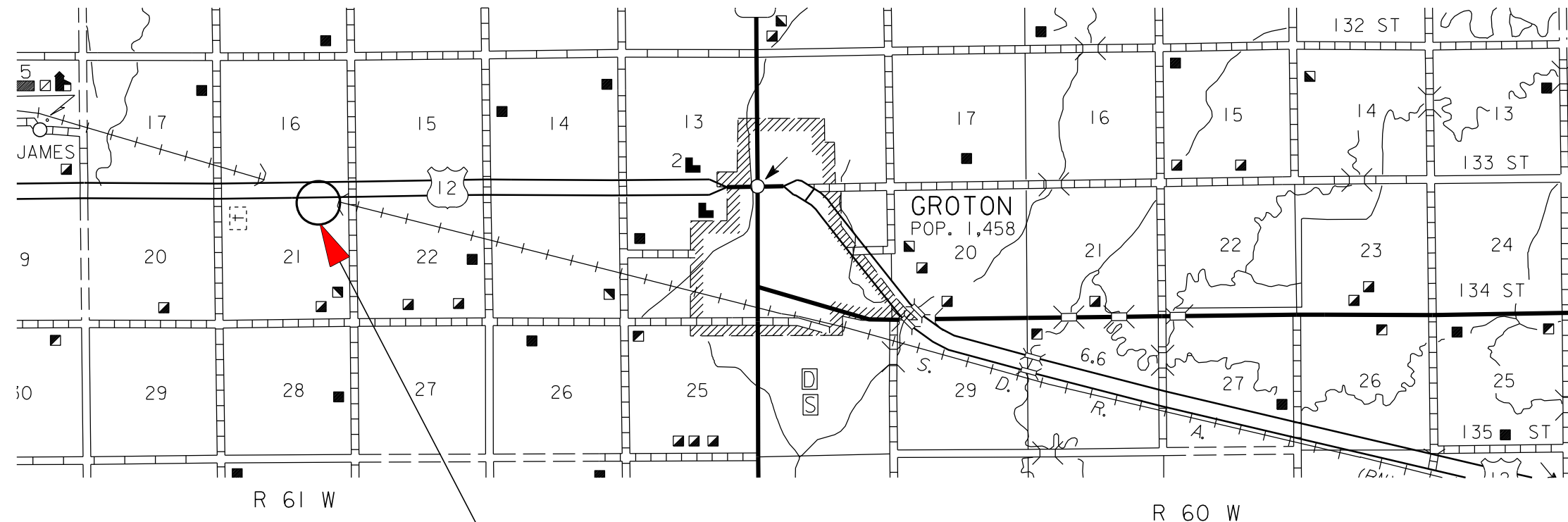
Curb and Gutter Installation/Replacement
PCN 15DJ

INDEX OF SHEETS

- Sheet No. 1: Title Page and Layout Map
- Sheet No. 2-3: Estimate of Quantities and Environmental Commitments
- Sheet No. 4-5: Plan Notes and Breakdown of Quantities
- Sheet No. 6: Detail Drawings
- Sheet No. 7-9: Standard Plates



PROJECT



US 12 E

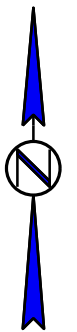
DESIGN DESIGNATION

ADT (2017)	2878
ADT (2037)	3753
DHV	447
D	50%
T DHV	6.6
T ADT	14.6%
V	70 m.p.h.

STORM WATER PERMIT
(none required)

Work Area
Structure No. 07-267-330
MRM 305.88

GROSS LENGTH	1056 FEET	0.2MILES
LENGTH OF EXCEPTIONS	0 FEET	0.0MILES
NET LENGTH	1056 FEET	0.2MILES



T 123 N

PLOT SCALE - 1:45296.73

PLOTTED FROM - TRABINT01

PLOT NAME - 10

FILE - ... \TITLE SHEET.DGN

ESTIMATE OF QUANTITIES AND ENVIRONMENTAL COMMITMENTS

STATE OF SOUTH DAKOTA	PROJECT	SHEET	TOTAL SHEETS
	012 E-151	2	9

ESTIMATE OF QUANTITIES

BID ITEM NUMBER	ITEM	QUANTITY	UNIT
009E0010	Mobilization	Lump Sum	LS
110E0300	Remove Concrete Curb and/or Gutter	100	Ft
110E1010	Remove Asphalt Concrete Pavement	33.1	SqYd
110E7700	Remove Drop Inlet Frame and Grate Assembly for Reset	2	Each
260E2010	Gravel Cushion	30.0	Ton
460E0380	Install Dowel in Concrete	38	Each
634E0110	Traffic Control Signs	230.0	SqFt
634E0120	Traffic Control, Miscellaneous	Lump Sum	LS
634E0275	Type 3 Barricade	1	Each
634E0420	Type C Advance Warning Arrow Board	1	Each
634E0600	4" Temporary Pavement Marking Tape Type I	2,750	Ft
650E4360	Type D46 Concrete Curb and Gutter	100	Ft
650E5000	Special Concrete Gutter	36	Ft
670E7000	Reset Drop Inlet Frame and Grate Assembly	2	Each

SPECIFICATIONS

Standard Specifications for Roads and Bridges, 2015 Edition and Required Provisions, Supplemental Specifications, and Special Provisions as included in the Proposal.

ENVIRONMENTAL COMMITMENTS

The SDDOT is committed to protecting the environment and uses Section A Environmental Commitments as a communication tool for the Engineer and Contractor to ensure that attention is given to avoid, minimize, and/or mitigate an environmental impact. Environmental commitments to various agencies and the public have been made to secure approval of this project. An agency with permitting authority can delay a project if identified environmental impacts have not been adequately addressed. Unless otherwise designated, the Contractor's primary contact regarding matters associated with these commitments will be the Project Engineer. These environmental commitments are not subject to change without prior written approval from the SDDOT Environmental Office.

Additional guidance on SDDOT's Environmental Commitments can be accessed through the Environmental Procedures Manual found at: <http://www.sddot.com/resources/Manuals/EnvironProcManual.pdf>

For questions regarding change orders in the field that may have an effect on an Environmental Commitment, the Project Engineer will contact the Environmental Office at 605-773-3098 or 605-773-4336 to determine whether an environmental analysis and/or resource agency coordination is necessary.

COMMITMENT B: FEDERALLY THREATENED, ENDANGERED, AND PROTECTED SPECIES

COMMITMENT B2: WHOOPING CRANE

The Whooping Crane is a spring and fall migratory bird in South Dakota that is about 5 feet tall and typically stops on wetlands, rivers, and agricultural lands along their migration route. An adult Whooping Crane is white with a red crown and a long, dark, pointed bill. Immature Whooping Cranes are cinnamon brown. While in flight, their long necks are kept straight and their long dark legs trail behind. Adult Whooping Cranes' black wing tips are visible during flight.

Action Taken/Required:

Harassment or other measures to cause the Whooping Crane to leave the site is a violation of the Endangered Species Act. If a Whooping Crane is sighted roosting in the vicinity of the project, borrow pits, or staging areas associated with the project, cease construction activities in the affected area until the Whooping Crane departs and immediately contact the Project Engineer. The Project Engineer will contact the Environmental Office so that the sighting can be reported to USFWS.

COMMITMENT E: STORM WATER

Construction activities constitute less than 1 acre of disturbance.

Action Taken/Required:

At a minimum and regardless of project size, appropriate erosion and sediment control measures must be installed to control the discharge of pollutants from the construction site.

COMMITMENT H: WASTE DISPOSAL SITE

The Contractor will furnish a site(s) for the disposal of construction and/or demolition debris generated by this project.

Action Taken/Required:

Construction and/or demolition debris may not be disposed of within the Public ROW.

The waste disposal site(s) will be managed and reclaimed in accordance with the following from the General Permit for Construction/Demolition Debris Disposal Under the South Dakota Waste Management Program issued by the Department of Environment and Natural Resources.

The waste disposal site(s) will not be located in a wetland, within 200 feet of surface water, or in an area that adversely affects wildlife, recreation, aesthetic value of an area, or any threatened or endangered species, as approved by the Environmental Office and the Project Engineer.

If the waste disposal site(s) is located such that it is within view of any ROW, the following additional requirements will apply:

- Construction and/or demolition debris consisting of concrete, asphalt concrete, or other similar materials will be buried in a trench completely separate from wood debris. The final cover over the construction and/or demolition debris will consist of a minimum of 1 foot of soil capable of supporting vegetation. Waste disposal sites provided outside of the Public ROW will be seeded in accordance with Natural Resources Conservation Service recommendations. The seeding recommendations may be obtained through the appropriate County NRCS Office. The Contractor will control the access to waste disposal sites not within the Public ROW with fences, gates, and placement of a sign or signs at the entrance to the site stating "No Dumping Allowed".
- Concrete and asphalt concrete debris may be stockpiled within view of the ROW for a period of time not to exceed the duration of the project. Prior to project completion, the waste shall be removed from view of the ROW or buried and the waste disposal site reclaimed as noted above.

The above requirements will not apply to waste disposal sites that are covered by an individual solid waste permit as specified in SDCL 34A-6-58, SDCL 34A-6-1.13, and ARSD 74:27:10.06.

Failure to comply with the requirements stated above may result in civil penalties in accordance with South Dakota Solid Waste Law, SDCL 34A-6-1.31.

All costs associated with furnishing waste disposal site(s), disposing of waste, maintaining control of access (fence, gates, and signs), and reclamation of the waste disposal site(s) will be incidental to the various contract items.

ESTIMATE OF QUANTITIES AND ENVIRONMENTAL COMMITMENTS

STATE OF SOUTH DAKOTA	PROJECT	SHEET	TOTAL SHEETS
	012 E-151	3	9

COMMITMENT I: HISTORICAL PRESERVATION OFFICE CLEARANCES

State Historical Preservation Office (SHPO or THPO) concurrence has not been obtained for this project.

Action Taken/Required:

All earth disturbing activities not designated within the plans require a cultural resource review prior to scheduling the pre-construction meeting. This work includes, but is not limited to: Contractor furnished material sources, material processing sites, stockpile sites, storage areas, plant sites, and waste areas.

The Contractor will arrange and pay for a record search and when necessary, a cultural resource survey. The Contractor has the option to contact the state Archaeological Research Center (ARC) at 605-394-1936 or another qualified archaeologist, to obtain either a records search or a cultural resources survey. A record search might be sufficient for review if the site was previously surveyed; however, a cultural resources survey may need to be conducted by a qualified archaeologist.

The Contractor will provide ARC with the following: a topographical map or aerial view of which the site is clearly outlined, site dimensions, project number, and PCN. If applicable, provide evidence that the site has been previously disturbed by farming, mining, or construction activities with a landowner statement that artifacts have not been found on the site.

The Contractor will submit the cultural resources survey report to SDDOT Environmental Office, 700 East Broadway Avenue, Pierre, SD 57501-2586. SDDOT will submit the information to the appropriate SHPO/THPO. Allow **30 Days** from the date this information is submitted to the Environmental Engineer for SHPO/THPO review.

In the event of an inadvertent discovery of human remains, funerary objects, or if evidence of cultural resources is identified during project construction activities, then such activities will immediately cease and the Project Engineer will be immediately notified. The Project Engineer will contact the SDDOT Environmental Office to determine an appropriate course of action.

The Contractor is responsible for obtaining any additional permits and clearances for Contractor furnished material sources, material processing sites, stockpile sites, storage areas, plant sites, and waste areas that affect wetlands, threatened and endangered species, or waterways. The Contractor will not utilize a site known or suspected of having contaminated soil or water. The Contractor will provide the required permits and clearances to the Project Engineer at the preconstruction meeting.

STATE OF SOUTH DAKOTA	PROJECT	SHEET NO.	TOTAL SHEETS
	012 E-151	4	9
Plotting Date: 08/01/2018			

GENERAL NOTES

The purpose of this project is to replace the curb and gutter on the east side and install new curb and gutter on the west side of Structure No. 07-267-330, US 12 East Bound MRM 305.88. The work must be done in two phases to accommodate traffic. Traffic may not be switched until the first phase is totally complete including placing asphalt concrete. Asphalt Concrete may not be placed until the concrete has reached design strength.

-Remove Concrete Curb and Gutter shall consist of the removal of the curb and gutter.

-Remove Asphalt Concrete Pavement. The asphalt concrete shall be saw cut prior to removal. Other methods may be required to remove asphalt that is under existing guardrail. No additional payment will be made for any other methods that may be required. Asphalt removal shall be incidental to the contract unit price per Sq. Yd. for Remove Asphalt Concrete Pavement. Asphalt removal quantities are based on 1' for the entire length of the curb and gutter on the east side of the bridge for form placement. On the west side of the bridge quantities are based on 3.6' for form placement and the width of the curb and gutter.

-Install Dowel in Concrete shall consist of drilling and inserting epoxy coated # 4 bar into the bridge barrier wall, and securing it with epoxy resin. Installation shall be according to the special details in these plans.

-Type D Concrete Curb and Gutter shall be installed according to the special details in these plans. The cost to furnish and install the longitudinal No. 4 bars shall be incidental the contract unit price per foot for Type D-Concrete Curb and Gutter. When forming tight to the existing curb and gutter the Contractor will be allowed to use 1/4" forming material, and leave that material in place. Sufficient bracing will be required to hold a true longitudinal edge, as approved by the Engineer. The alignment of the curb and gutter will be a true line with the bridge barrier wall. The engineer will establish elevations by carrying a 2% grade from the existing centerline. In the event guardrail needs to be disassembled and reassembled the cost of that work shall be incidental to Type D Curb and Gutter.

-Special Concrete Gutter shall be installed according to the special details in these plans. The cost to furnish and install the longitudinal No. 4 bars shall be incidental the contract unit price per foot for Special Concrete Gutter. Excavation required to construct the Special Concrete Gutter shall be incidental to the various contract items. Alignment of the Special Concrete Gutter shall be adjacent to the barrier wall extending off of the bridge. The engineer will establish elevations by carrying a 2% grade from the existing centerline.

-Gravel Cushion Payment to place and compact the granular material shall be incidental to the contract price per ton for Gravel Cushion.

-Reset Drop Inlet Frame and Grate Assembly The cost of any adjustment rings required to reset the drop inlet frame and grate assembly shall be incidental to the contract unit price per each for Reset Drop Inlet Frame and Grate Assembly

-Asphalt Concrete The Department will be responsible for placing the new asphalt concrete adjacent to the curb and gutter after its completion. A coordination plan between the Contractor and the Department shall be established prior to work starting.

INSTALLING DOWELS IN CONCRETE

- Holes drilled in the existing concrete shall be true and normal or as shown in the plans. Drilling holes using a core drill shall not be allowed. Care shall be taken not to damage the existing reinforcing steel. It is likely that some of the existing reinforcing steel shown in the original construction plans may have been placed out of position during original construction. Therefore, prior to the start of drilling any holes in the concrete, an effort will be made by Department forces to mark on the concrete surface where practical any locations of the in-place reinforcing steel. In spite of this precaution, the Contractor can still expect to encounter and have to drill through reinforcing steel or shift the dowel spacing as approved by the Engineer to miss the existing reinforcing steel. If the Contractor shifts the dowel spacing, the unused drill holes shall be completely filled with the epoxy resin specified in note number 2 under Installing Dowels in Concrete as approved by the Engineer.
- The epoxy resin mixture shall be of a type for bonding steel to hardened concrete and shall conform to AASHTO M235 Type IV, Grade 3 (Equivalent to ASTM C881, Type IV, Grade 3). Grade 1, 2 or 3 may be used for vertical dowels and Grade 3 epoxy shall be used for all horizontal dowels.
- The diameter of the drilled holes shall not be less than 1/8 inch greater, nor more than 3/8 inch greater than the diameter of the dowels or as per the Manufacturer's recommendations. The drilled holes shall be blown out with compressed air using a device that will reach the back of the hole to ensure that all debris or loose material has been removed prior to epoxy injection.
- Mix epoxy resin as recommended by the Manufacturer and apply by an injection method as approved by the Engineer. Beginning at the back of the drilled holes, fill the holes 1/3 to 1/2 full of epoxy, or as recommended by the Manufacturer, prior to insertion of the steel bar. Care shall be taken to prevent epoxy from running out of the horizontal holes prior to steel bar insertion. Rotate the steel bar during installation to eliminate voids and ensure complete bonding of the bar. Insertion of the bars by the dipping or painting method will not be allowed.
- No loads shall be applied to the epoxy grouted dowel bars until the epoxy resin has had sufficient time to cure as specified by the epoxy resin manufacturer.
- Dowel bars shall be deformed bars conforming to ASTM A615 Grade Dow bars shall No. 4 Epoxy Coated.
- The cost of epoxy resin, dowels, installation and other incidental items shall be incidental to the contract unit price per each for Install Dowel in Concrete.

TRAFFIC CONTROL

Traffic control shall be according to standard plate 634.63. The structure is 434 feet in length. No additional payment will be made to switch the traffic from the south lane to the north lane.

Removing, relocating, covering, salvaging and resetting of existing traffic control devices, including delineation, shall be the responsibility of the Contractor. Cost of this work shall be incidental to the various contract items unless otherwise specified in the plans. Delineators and signs damaged or lost shall be replaced by the Contractor at no cost to the State.

Indiscriminate driving and parking of vehicles within the right-of-way will not be permitted. Any damage to the vegetation, surfacing, embankment, delineators and existing signs resulting from such indiscriminate use shall be repaired and/or restored by the Contractor, at no expense to the State, and to the satisfaction of the Engineer.

Work activities during non-daylight hours are subject to prior approval.

Traffic Control signs, as shown in the Itemized List for Traffic Control Signs, are estimates. Contractor's operation may require adjustments in quantities, either. Payment will be for those signs actually ordered by the Engineer and used.

Informational Breakdown of Quantities

Corner of the Bridge	Remove Concrete Curb and/or Gutter (Ft)	Remove asphalt concrete pavement (Sq Yd)	Reset Drop Inlet Frame and Grate For Reset (Each)	Install Dowel in Concrete (Each)	Type D 46 Concrete Curb and Gutter (Ft.)	Special Concrete Gutter (Ft.)	Reset Drop Inlet Frame and Grate Assembly (Each)
S.W.		8.0		9	20	8	
N.W.		14.0		10	35	10	
S.E.	40	4.4	1	10	40	10	1
N.E.	60	6.7	1	9	60	8	1
Totals	100.00	33.1	2.00	38.00	155.00	36.00	2.00

ITEMIZED LIST FOR TRAFFIC CONTROL SIGNS

SIGN CODE	SIGN DESCRIPTION	EXPRESSWAY / INTERSTATE			
		NUMBER	SIGN SIZE	SQFT PER SIGN	SQFT
R2-1	SPEED LIMIT <u> </u>	6	36" x 48"	12.0	72.0
R2-6aP	FINES DOUBLE (plaque)	1	36" x 24"	6.0	6.0
W3-5	SPEED REDUCTION AHEAD (<u> </u> MPH)	3	48" x 48"	16.0	48.0
W4-2	LEFT or RIGHT LANE ENDS (symbol)	2	48" x 48"	16.0	32.0
W20-1	ROAD WORK AHEAD	2	48" x 48"	16.0	32.0
W20-5	LEFT or RIGHT LANE CLOSED AHEAD	2	48" x 48"	16.0	32.0
G20-2	END ROAD WORK	1	48" x 24"	8.0	8.0
EXPRESSWAY / INTERSTATE TRAFFIC CONTROL SIGNS SQFT					230.0

TYPE 3 BARRICADES

ITEM DESCRIPTION	QUANTITY
Type 3 Barricade, 8' Single Sided	1 Each

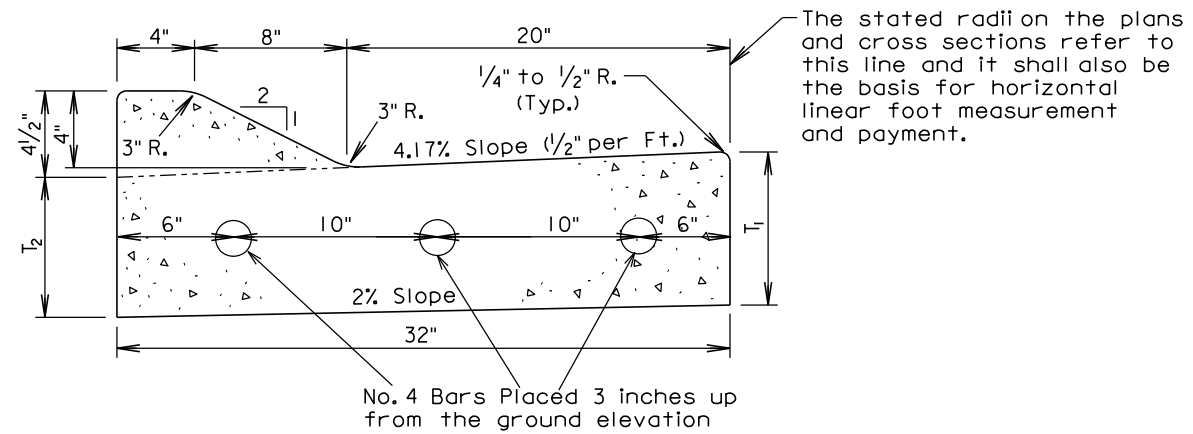
ARROW BOARDS

ITEM DESCRIPTION	QUANTITY
Type C Advance Warning Arrow Board	1 Each

Special Details

TYPE D CONCRETE CURB AND GUTTER

Sheet 1 of 1



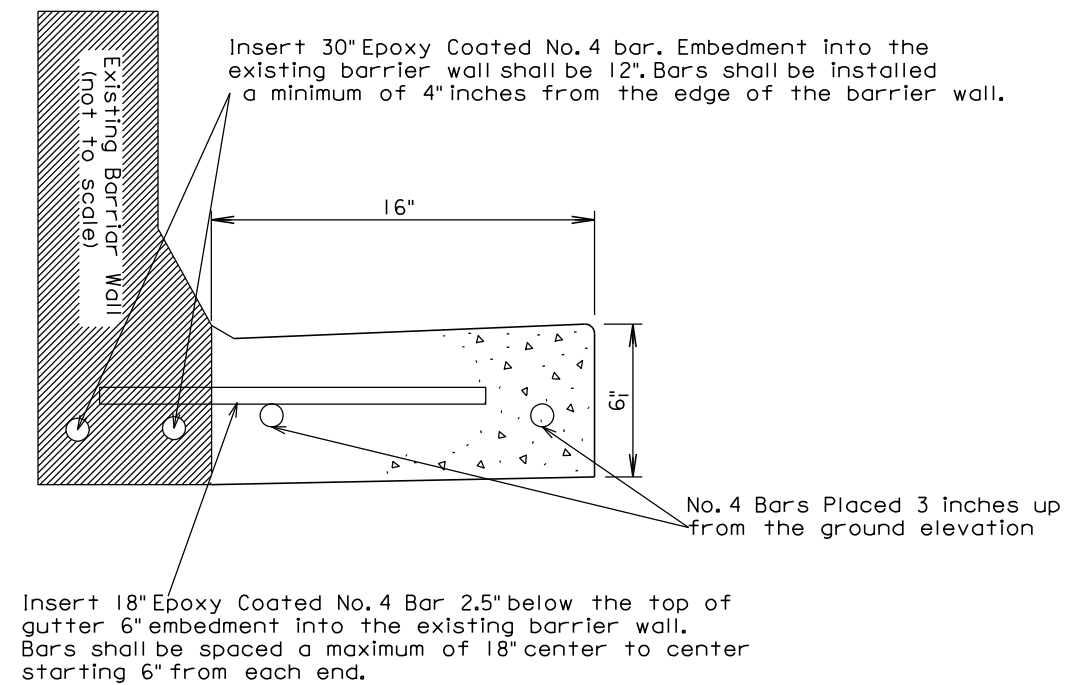
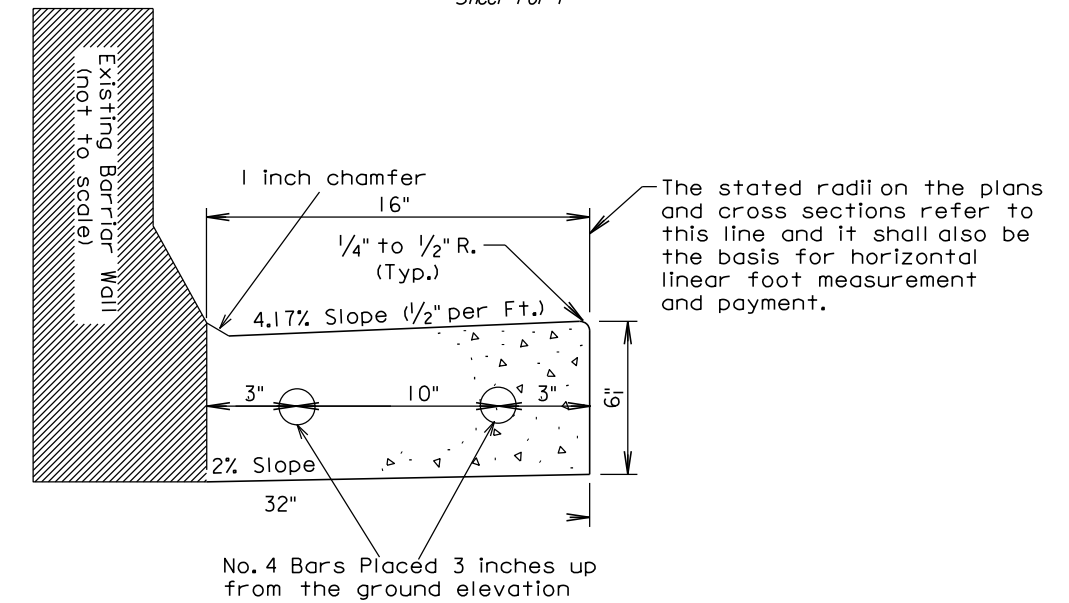
Type	T ₁ (Inches)	T ₂ (Inches)	Cu. Yd. Per Lin. Ft.	Lin. Ft. Per Cu. Yd.
D46	6	5 ⁵ / ₁₆	0.056	18.0
D47	7	6 ⁵ / ₁₆	0.064	15.7
D48	8	7 ⁵ / ₁₆	0.072	13.9
D48.5	8.5	7 ¹³ / ₁₆	0.076	13.1
D49	9	8 ⁵ / ₁₆	0.080	12.5
D49.5	9.5	8 ¹³ / ₁₆	0.084	11.9
D410	10	9 ⁵ / ₁₆	0.088	11.3
D410.5	10.5	9 ¹³ / ₁₆	0.093	10.8
D411	11	10 ⁵ / ₁₆	0.097	10.3
D411.5	11.5	10 ¹³ / ₁₆	0.101	9.9
D412	12	11 ⁵ / ₁₆	0.105	9.5

GENERAL NOTES:

See Standard Plate 650.90 for expansion and contraction joints in the curb and gutter.

SPECIAL CONCRETE GUTTER

Sheet 1 of 1



GENERAL NOTES:

See Standard Plate 650.90 for expansion and contraction joints in the curb and gutter. Lapspllices for No. 4 rebar shall be 12"

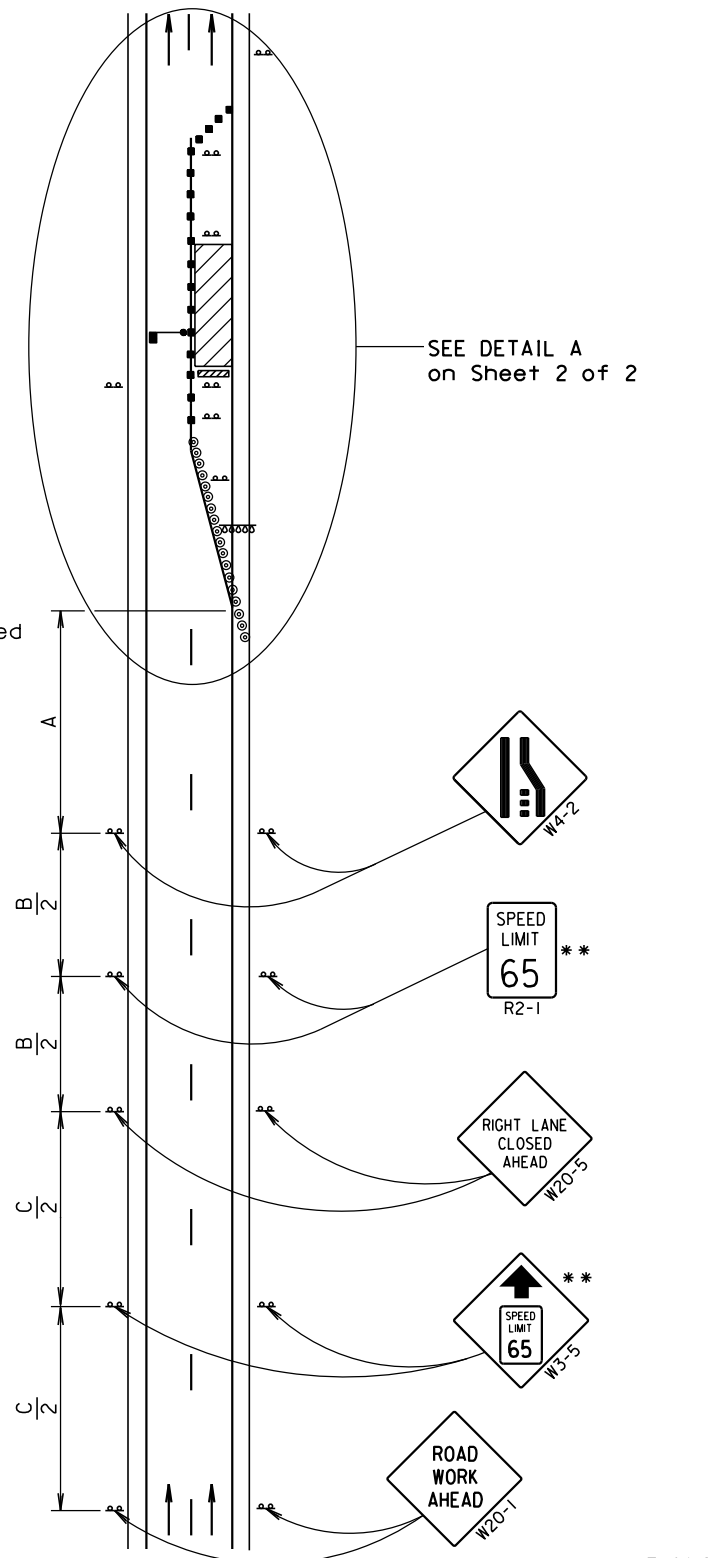
PLOT SCALE - 1:15296.73

Posted Speed Prior to Work (M.P.H.)	Spacing of Advance Warning Signs (Feet)		
	(A)	(B)	(C)
0 - 30	200		
35 - 40	350		
45 - 50	500		
55	750		
60 - 65	1000		
	(A)	(B)	(C)
70 - 80	1000	1500	2640

- ** Speed appropriate for location.
- ⊙ Reflectorized Drum
- Channelizing Device

ROAD WORK AHEAD sign is only required in advance of the first lane closure.

High speed is defined as having a posted speed limit greater than 45 mph.



June 3, 2016

Published Date: 3rd Qtr. 2018	S D D O T	WORK ZONE SPEED REDUCTION FOR INTERSTATE AND HIGH SPEED MULTI-LANE HIGHWAYS	PLATE NUMBER 634.63
			Sheet 1 of 2

PLOT NAME - 11

Posted Speed Prior to Work (M.P.H.)	Spacing of Channelizing Devices (Feet) (G)	Taper Length (Feet) (L)
0 - 30	25	180
35 - 40	25	320
45	25	600
50	50 *	600
55	50 *	660
60 - 65	50 *	780
70 - 80	50 *	960

- * Spacing is 40' for 42" cones.
- ** Speed appropriate for location.
- *** Use speed limit designated for the condition when workers are present in the work space. Signs shall be covered or removed when workers are not present.

- Flagger (As Necessary)
- ⊙ Reflectorized Drum
- Channelizing Device

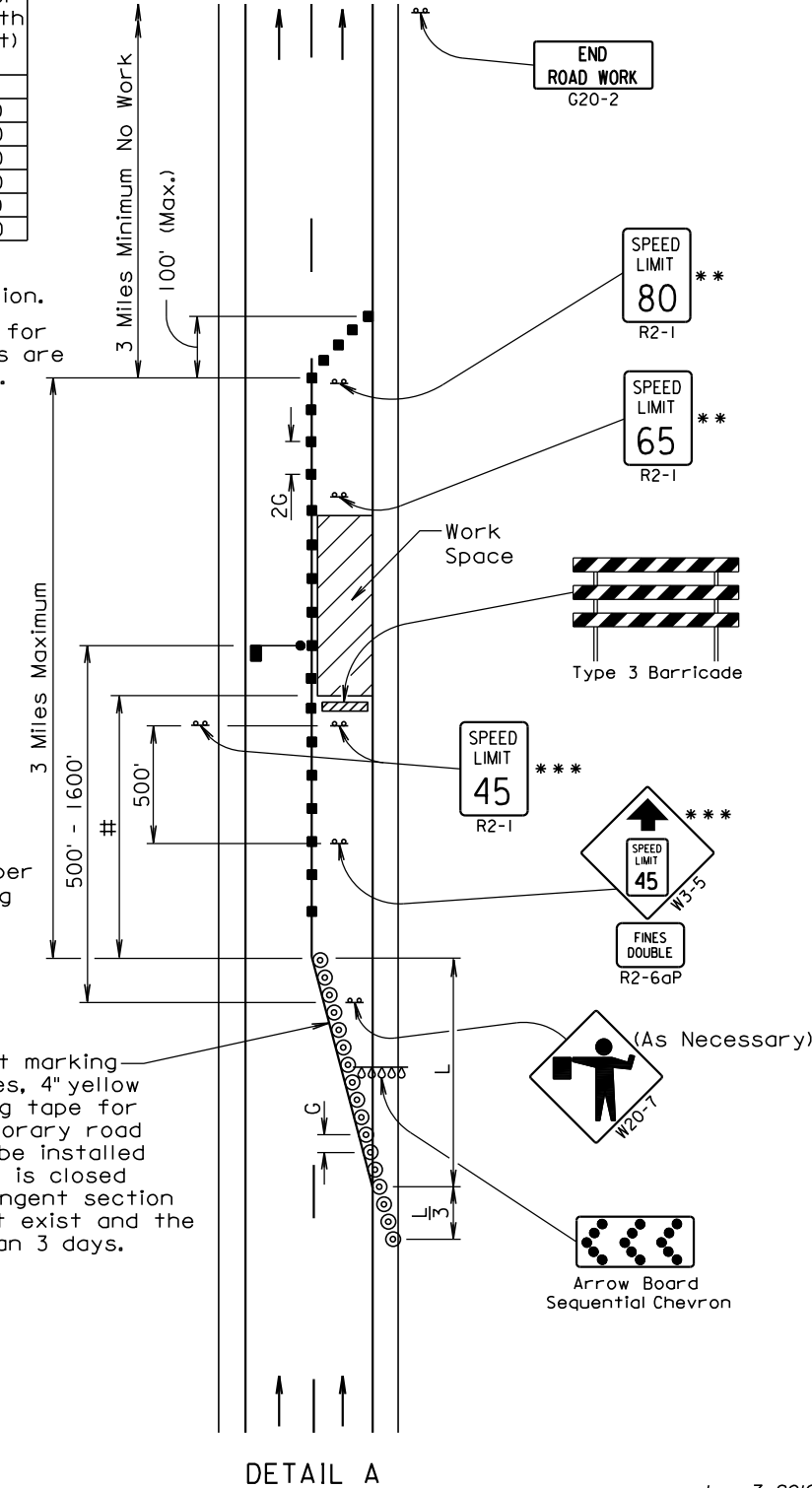
The Work Space shall be a minimum of 500' from the end of the taper.

The FLAGGER sign shall be used whenever there is a Flagger present.

The channelizing devices shall be 42" cones or drums.

42" cones may be used in place of the drums shown in the taper if setup will not be used during night time hours.

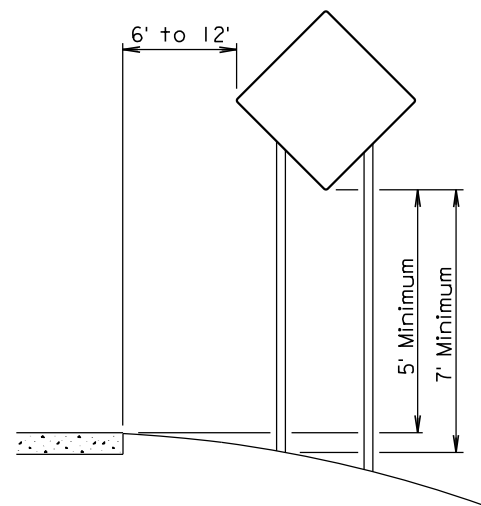
4" white temporary pavement marking tape for right lane closures, 4" yellow temporary pavement marking tape for left lane closures, or temporary road markers at 5' spacing shall be installed in the taper when the lane is closed overnight, and along the tangent section where the skip lines do not exist and the lane is closed for more than 3 days.



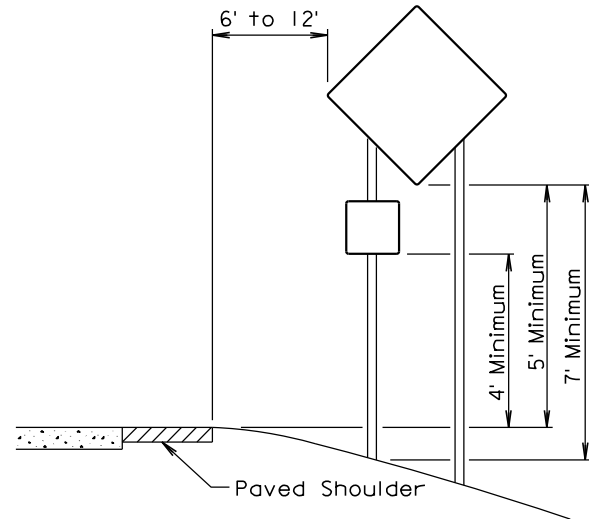
June 3, 2016

Published Date: 3rd Qtr. 2018	S D D O T	WORK ZONE SPEED REDUCTION FOR INTERSTATE AND HIGH SPEED MULTI-LANE HIGHWAYS	PLATE NUMBER 634.63
			Sheet 2 of 2

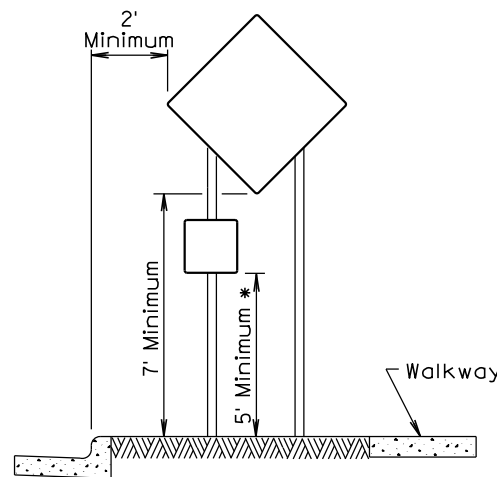
FILE - ... \TITLE SHEET.DGN



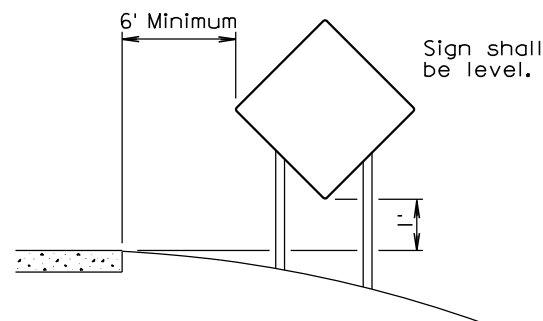
RURAL DISTRICT



RURAL DISTRICT WITH
SUPPLEMENTAL PLATE



URBAN DISTRICT

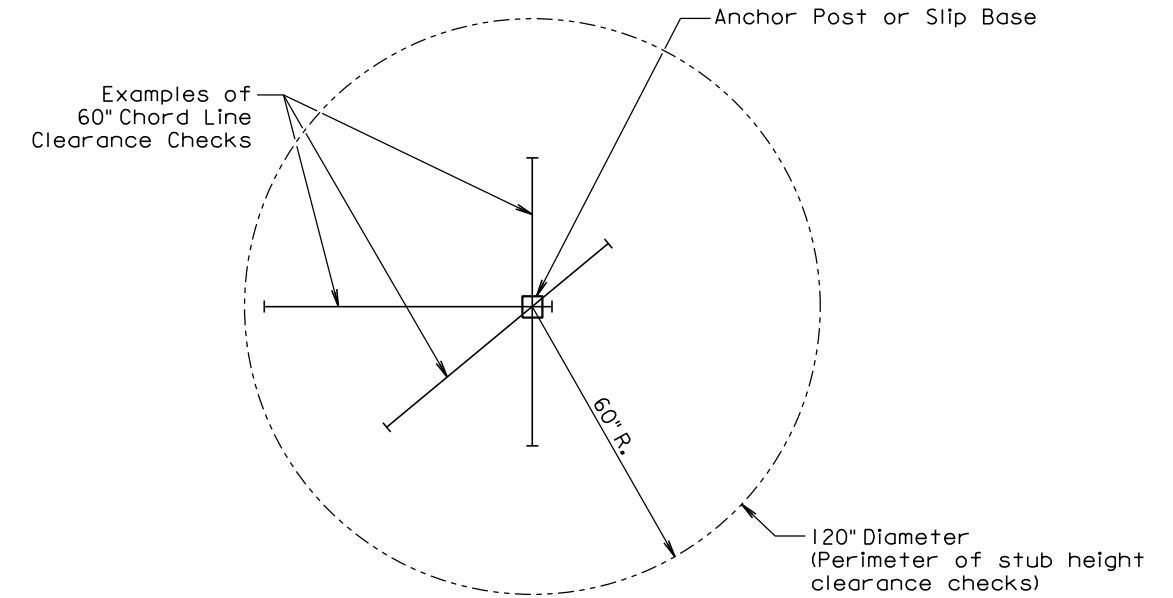


RURAL DISTRICT
3 DAY MAXIMUM
(Not applicable to regulatory signs)

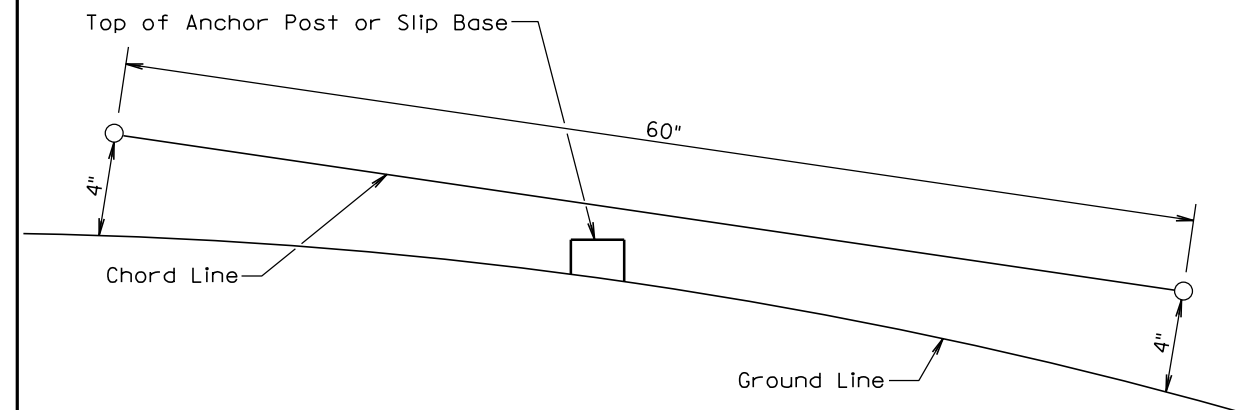
* If the bottom of supplemental plate is mounted lower than 7 feet above a pedestrian walkway, the supplemental plate should not project more than 4" into the pedestrian facility.

September 22, 2014

Published Date: 3rd Qtr. 2018	S D D O T	CRASHWORTHY SIGN SUPPORTS (Typical Construction Signing)	PLATE NUMBER 634.85
			Sheet 1 of 1



PLAN VIEW
(Examples of stub height clearance checks)



ELEVATION VIEW

GENERAL NOTES:

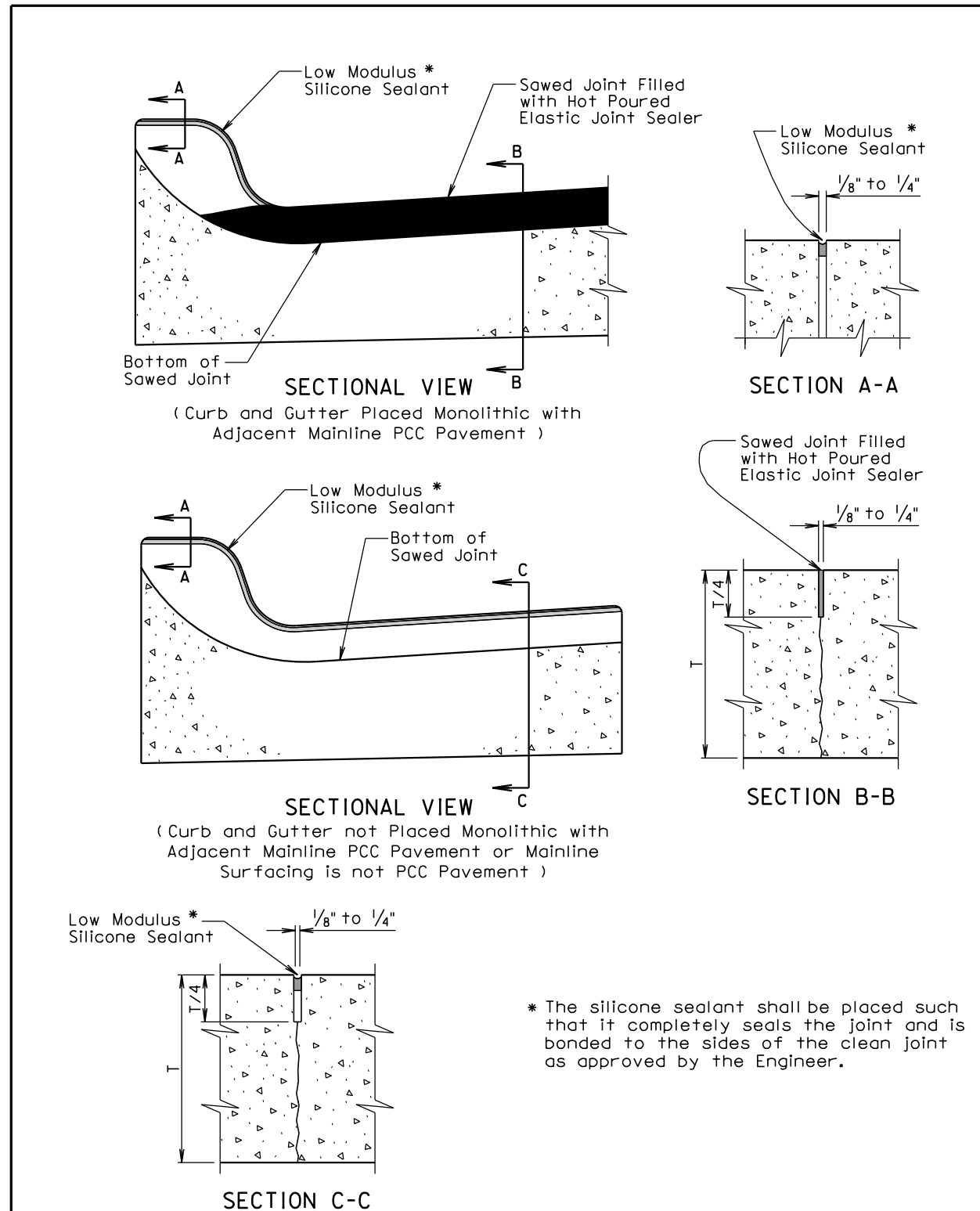
The top of anchor posts and slip bases SHALL NOT extend above a 60" chord line within a 120" diameter circle around the post with ends 4" above the ground.

At locations where there is curb and gutter adjacent to the breakaway sign support, the stub height shall be a maximum of 4" above the ground line at the localized area adjacent to the breakaway support stub.

The 4" stub height clearance is not necessary for U-channel lap splices where the support is designed to yield (bend) at the base.

July 1, 2005

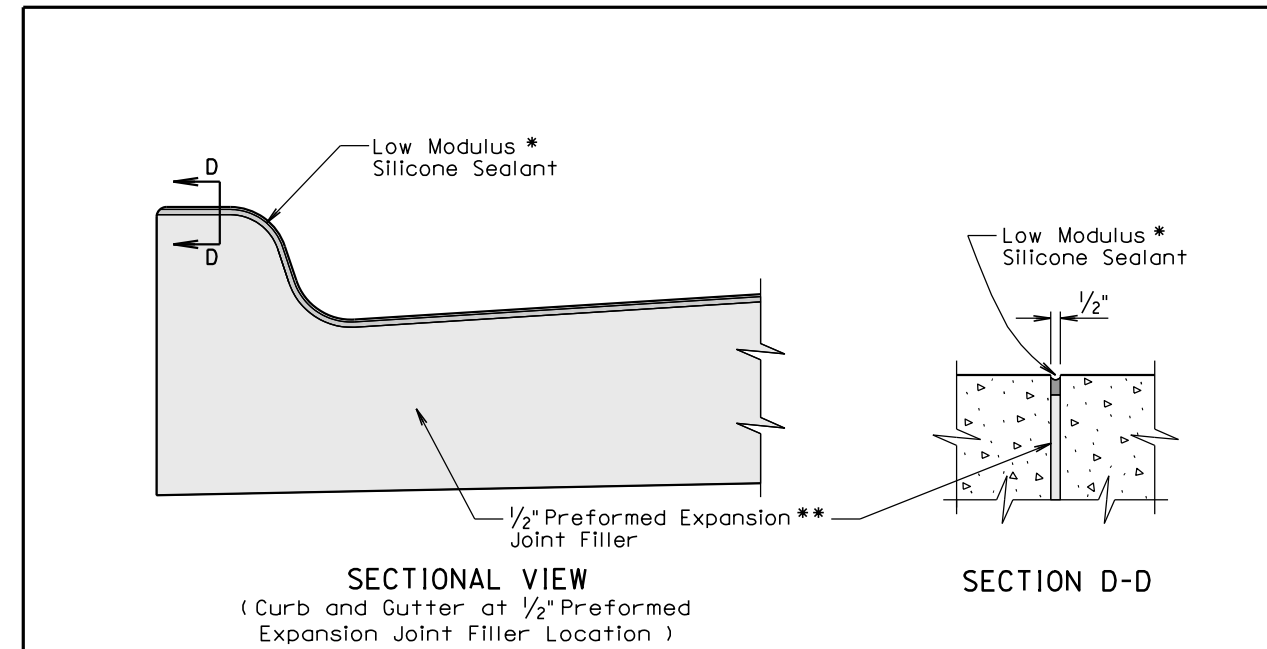
Published Date: 3rd Qtr. 2018	S D D O T	BREAKAWAY SUPPORT STUB CLEARANCE	PLATE NUMBER 634.99
			Sheet 1 of 1



* The silicone sealant shall be placed such that it completely seals the joint and is bonded to the sides of the clean joint as approved by the Engineer.

September 6, 2013

Published Date: 3rd Qtr. 2018	S D D O T	JOINTS IN CONCRETE CURB AND GUTTER	PLATE NUMBER 650.90
			Sheet 1 of 2



* The silicone sealant shall be placed such that it completely seals the joint and is bonded to the sides of the clean joint as approved by the Engineer.

GENERAL NOTES:

For illustrative reason, only the type B curb and gutter is shown.

** A 1/2" preformed expansion joint filler shall be placed transversely in the curb and gutter at the following locations:

1. At each junction between the radius return of curb and gutter and curb and gutter which is parallel to the project centerline.
2. At each junction between new curb and gutter and existing curb and gutter.

Transverse contraction joints shall be constructed at 10' intervals in the concrete curb and gutter except when the concrete curb and gutter is constructed adjacent to mainline PCC pavement. When concrete curb and gutter is constructed adjacent to mainline PCC pavement, a transverse contraction joint shall be constructed in the concrete curb and gutter at each mainline PCC pavement transverse contraction joint location.

When concrete curb and gutter is not placed monolithically with the mainline PCC pavement or when the adjacent mainline surfacing is not PCC concrete, the transverse contraction joints in the concrete curb and gutter shall be 1/2 inches deep if formed in the fresh concrete using a suitable grooving tool. If a saw is used to cut the contraction joints, then the depth of the joint shall be at least 1/4 the thickness of the concrete and the joint shall be sealed in accordance with the details shown above.

September 6, 2013

Published Date: 3rd Qtr. 2018	S D D O T	JOINTS IN CONCRETE CURB AND GUTTER	PLATE NUMBER 650.90
			Sheet 2 of 2